

National Testing Agency

Question Paper Name :	Hindi Eng 27th June 2023 Shift 2
Subject Name :	Hindi Eng
Creation Date :	2023-06-27 16:51:20
Duration :	120
Total Marks :	400
Display Marks:	Yes

Hindi

Group Number :	1
Group Id :	920906284
Group Maximum Duration :	0
Group Minimum Duration :	120
Show Attended Group? :	No
Edit Attended Group? :	No
Break time :	0
Group Marks :	400
Is this Group for Examiner? :	No
Examiner permission :	Cant View
Show Progress Bar? :	No

Part A

Section Id :	920906567
Section Number :	1
Section type :	Online
Mandatory or Optional :	Mandatory
Number of Questions :	21
Number of Questions to be attempted :	21
Section Marks :	100
Enable Mark as Answered Mark for Review and Clear Response :	Yes
Maximum Instruction Time :	0
Sub-Section Number :	1
Sub-Section Id :	920906916
Question Shuffling Allowed :	No
Is Section Default? :	null

Question Id : 92090628644 Question Type : COMPREHENSION Sub Question Shuffling Allowed : Yes Group Comprehension Questions : No Question Pattern Type : NonMatrix Calculator : None Response Time : N.A Think Time : N.A Minimum Instruction Time : 0

Question Numbers : (1 to 5)

Question Label : Comprehension

As he hailed India's bilateral ties with Australia as having entered the T20 mode, PM Modi in a meeting with his counterpart, Anthony Albanese, on Wednesday again raised the issue of attacks on Hindu temples and activities of Khalistan separatists in Australia. Any attempt to harm India – Australia ties was unacceptable, Modi said. Albanese assured him of strong action against the perpetrators.

Modi rounded off his three-nation tour with a bilateral meeting with Albanese, and a business round table that saw the two sides signing a migration agreement for two-way mobility of students and business professionals, and another deal to set up a task force for green hydrogen cooperation. The leaders also discussed many regional and global issues, including the threat posed by China's assertiveness in the Indo-Pacific, Russia-Ukraine war, Quad cooperation and ways to address problems faced by the Global South.

Thanking Albanese for the steps taken to prevent attacks on Hindu temples, Modi said the former assured him once again that he would continue to take strict action against the perpetrators.

Sub questions

Question Number : 1 Question Id : 92090628645 Question Type : MCQ Option Shuffling : No Is Question Mandatory : No Calculator : None Response Time : N.A Think Time : N.A Minimum Instruction Time : 0

Correct Marks : 4 Wrong Marks : 1

Find out one word for the following phrase from the following options.

'Commit a harmful, illegal or immoral action'

- | | |
|----------------|----------------|
| (1) Perpetual | (2) Persiflage |
| (3) Perpetrate | (4) Pernicious |

Options :

920906113201. 1

920906113202. 2

920906113203. 3

920906113204. 4

Question Number : 2 Question Id : 92090628646 Question Type : MCQ Option Shuffling : No Is Question Mandatory : No Calculator : None Response Time : N.A Think Time : N.A Minimum Instruction Time : 0

Correct Marks : 4 Wrong Marks : 1

Given below are two statements :

Statement I : Albanese assured him of no strong action against the perpetrators.

Statement II : PM Modi in a meeting with his counterpart Anthony Albanese on Wednesday again raised the issue of attacks on Hindu temples and activities of Khalistan separatist in Australia.

In the light of the above statements, choose the correct answer from the options given below :

- (1) Both Statement I and Statement II are true
- (2) Both Statement I and Statement II are false
- (3) Statement I is true but Statement II is false
- (4) Statement I is false but Statement II is true

Options :

920906113205. 1

920906113206. 2

920906113207. 3

920906113208. 4

Question Number : 3 Question Id : 92090628647 Question Type : MCQ Option Shuffling : No Is Question Mandatory : No Calculator : None Response Time : N.A Think Time : N.A Minimum Instruction Time : 0

Correct Marks : 4 Wrong Marks : 1

Fill in the blanks with appropriate words from the options given below:

Modi rounded_____ his three nation tour ___a bilateral meeting with Albanese, and a business round table that saw the two sides signing a migration agreement _____ two way mobility of students and business professionals.

- | | |
|--------------------|--------------------|
| (1) off, with, for | (2) off, for, from |
| (3) off, with, in | (4) off, on, in |

Options :

920906113209. 1

920906113210. 2

920906113211. 3

920906113212. 4

Question Number : 4 Question Id : 92090628648 Question Type : MCQ Option Shuffling : No Is Question Mandatory : No Calculator : None Response Time : N.A Think Time : N.A Minimum Instruction Time : 0

Correct Marks : 4 Wrong Marks : 1

Antonym of the term 'assertive' is:

- | | |
|--------------|---------------|
| (1) Assist | (2) Assess |
| (3) Retiring | (4) Associate |

Options :

- 920906113213. 1
- 920906113214. 2
- 920906113215. 3
- 920906113216. 4

Question Number : 5 Question Id : 92090628649 Question Type : MCQ Option Shuffling : No Is Question Mandatory : No Calculator : None Response Time : N.A Think Time : N.A Minimum Instruction Time : 0

Correct Marks : 4 Wrong Marks : 1

What issue was raised by PM Modi with his counterpart, Anthony Albanese according to this paragraph?

- (1) Global Warming
- (2) Attacks on Hindu temples in Australia
- (3) Indio – Pak war
- (4) Natural Disaster

Options :

- 920906113217. 1
- 920906113218. 2
- 920906113219. 3
- 920906113220. 4

Question Id : 92090628644 Question Type : COMPREHENSION Sub Question Shuffling Allowed : Yes Group Comprehension Questions : No Question Pattern Type : NonMatrix Calculator : None Response Time : N.A Think Time : N.A Minimum Instruction Time : 0

Question Numbers : (1 to 5)

Question Label : Comprehension

As he hailed India's bilateral ties with Australia as having entered the T20 mode, PM Modi in a meeting with his counterpart, Anthony Albanese, on Wednesday again raised the issue of attacks on Hindu temples and activities of Khalistan separatists in Australia. Any attempt to harm India – Australia ties was unacceptable, Modi said. Albanese assured him of strong action against the perpetrators.

Modi rounded off his three-nation tour with a bilateral meeting with Albanese, and a business round table that saw the two sides signing a migration agreement for two-way mobility of students and business professionals, and another deal to set up a task force for green hydrogen cooperation. The leaders also discussed many regional and global issues, including the threat posed by China's assertiveness in the Indo-Pacific, Russia-Ukraine war, Quad cooperation and ways to address problems faced by the Global South.

Thanking Albanese for the steps taken to prevent attacks on Hindu temples, Modi said the former assured him once again that he would continue to take strict action against the perpetrators.

Sub questions

Question Number : 1 Question Id : 92090628645 Question Type : MCQ Option Shuffling : No Is Question Mandatory : No Calculator : None Response Time : N.A Think Time : N.A Minimum Instruction Time : 0

Correct Marks : 4 Wrong Marks : 1

Find out one word for the following phrase from the following options.

'Commit a harmful, illegal or immoral action'

- | | |
|----------------|----------------|
| (1) Perpetual | (2) Persiflage |
| (3) Perpetrate | (4) Pernicious |

Options :

- 920906113201. 1
- 920906113202. 2
- 920906113203. 3
- 920906113204. 4

Question Number : 2 Question Id : 92090628646 Question Type : MCQ Option Shuffling : No Is Question Mandatory : No Calculator : None Response Time : N.A Think Time : N.A Minimum Instruction Time : 0

Correct Marks : 4 Wrong Marks : 1

Given below are two statements :

Statement I : Albanese assured him of no strong action against the perpetrators.

Statement II : PM Modi in a meeting with his counterpart Anthony Albanese on Wednesday again raised the issue of attacks on Hindu temples and activities of Khalistan separatist in Australia.

In the light of the above statements, choose the correct answer from the options given below :

- (1) Both Statement I and Statement II are true
- (2) Both Statement I and Statement II are false
- (3) Statement I is true but Statement II is false
- (4) Statement I is false but Statement II is true

Options :

- 920906113205. 1
- 920906113206. 2
- 920906113207. 3
- 920906113208. 4

Question Number : 3 Question Id : 92090628647 Question Type : MCQ Option Shuffling : No Is Question Mandatory : No Calculator : None Response Time : N.A Think Time : N.A Minimum Instruction Time : 0

Correct Marks : 4 Wrong Marks : 1

Fill in the blanks with appropriate words from the options given below:

Modi rounded_____ his three nation tour ____a bilateral meeting with Albanese, and a business round table that saw the two sides signing a migration agreement _____ two way mobility of students and business professionals.

- | | |
|--------------------|--------------------|
| (1) off, with, for | (2) off, for, from |
| (3) off, with, in | (4) off, on, in |

Options :

- 920906113209. 1
- 920906113210. 2
- 920906113211. 3
- 920906113212. 4

Question Number : 4 Question Id : 92090628648 Question Type : MCQ Option Shuffling : No Is Question Mandatory : No Calculator : None Response Time : N.A Think Time : N.A Minimum Instruction Time : 0

Correct Marks : 4 Wrong Marks : 1

Antonym of the term 'assertive' is:

- | | |
|--------------|---------------|
| (1) Assist | (2) Assess |
| (3) Retiring | (4) Associate |

Options :

- 920906113213. 1
- 920906113214. 2
- 920906113215. 3
- 920906113216. 4

Question Number : 5 Question Id : 92090628649 Question Type : MCQ Option Shuffling : No Is Question Mandatory : No Calculator : None Response Time : N.A Think Time : N.A Minimum Instruction Time : 0

Correct Marks : 4 Wrong Marks : 1

What issue was raised by PM Modi with his counterpart, Anthony Albanese according to this paragraph?

- (1) Global Warming
- (2) Attacks on Hindu temples in Australia
- (3) Indio – Pak war
- (4) Natural Disaster

Options :

- 920906113217. 1
- 920906113218. 2
- 920906113219. 3
- 920906113220. 4

Sub-Section Number :	2
Sub-Section Id :	920906917
Question Shuffling Allowed :	Yes
Is Section Default? :	null

Question Number : 6 Question Id : 92090628650 Question Type : MCQ Option Shuffling : No Is Question Mandatory : No Calculator : None Response Time : N.A Think Time : N.A Minimum Instruction Time : 0

Correct Marks : 4 Wrong Marks : 1

Fill in the blanks with appropriate adjective clause

“The exam _____ I didn’t study for, was absolutely tough”.

- | | |
|-----------|-----------|
| (1) who | (2) that |
| (3) while | (4) since |

Options :

- 920906113221. 1
- 920906113222. 2
- 920906113223. 3
- 920906113224. 4

Question Number : 6 Question Id : 92090628650 Question Type : MCQ Option Shuffling : No Is Question Mandatory : No Calculator : None Response Time : N.A Think Time : N.A Minimum Instruction Time : 0

Correct Marks : 4 Wrong Marks : 1

Fill in the blanks with appropriate adjective clause

“The exam _____ I didn’t study for, was absolutely tough”.

- | | |
|-----------|-----------|
| (1) who | (2) that |
| (3) while | (4) since |

Options :

- 920906113221. 1
- 920906113222. 2
- 920906113223. 3
- 920906113224. 4

Question Number : 7 Question Id : 92090628651 Question Type : MCQ Option Shuffling : No Is Question Mandatory : No Calculator : None Response Time : N.A Think Time : N.A Minimum Instruction Time : 0

Correct Marks : 4 Wrong Marks : 1

Choose one word for the following part.

“An elaborate and spectacular entertainment”.

- | | |
|-----------------|--------------------|
| (1) Extravagant | (2) Extracorporeal |
| (3) Exotoxin | (4) Extravaganza |

Options :

- 920906113225. 1
- 920906113226. 2
- 920906113227. 3
- 920906113228. 4

Question Number : 7 Question Id : 92090628651 Question Type : MCQ Option Shuffling : No Is Question Mandatory : No Calculator : None Response Time : N.A Think Time : N.A Minimum Instruction Time : 0

Correct Marks : 4 Wrong Marks : 1

Choose one word for the following part.

“An elaborate and spectacular entertainment”.

- (1) Extravagant (2) Extracorporeal
(3) Exotoxin (4) Extravaganza

Options :

920906113225. 1
920906113226. 2
920906113227. 3
920906113228. 4

Question Number : 8 Question Id : 92090628652 Question Type : MCQ Option Shuffling : No Is Question Mandatory : No Calculator : None Response Time : N.A Think Time : N.A Minimum Instruction Time : 0

Correct Marks : 4 Wrong Marks : 1

Fill in the blanks with appropriate prepositions.

Electronics also take circuitous routes _____ the Russian market. One report estimated that such “parallel imports” _____laptops, tablets and smartphones totaled \$1.5 billion last year. At the same time, chinese cars and electronics have flooded _____the Russian market.

- (1) from, of, in (2) to, in, of
(3) to, of, into (4) from, of, in

Options :

920906113229. 1
920906113230. 2
920906113231. 3
920906113232. 4

Question Number : 8 Question Id : 92090628652 Question Type : MCQ Option Shuffling : No Is Question Mandatory : No Calculator : None Response Time : N.A Think Time : N.A Minimum Instruction Time : 0

Correct Marks : 4 Wrong Marks : 1

Match List I with List II :

List I (Word)	List II (Synonym)
(A) Deadly	(I) Death
(B) Decipher	(II) Calumny
(C) Defamation	(III) Interpret
(D) Demise	(IV) Lethal

Choose the correct answer from the options given below:

- (1) (A)-(I), (B)-(II), (C)-(III), (D)-(IV)
- (2) (A)-(II), (B)-(I), (C)-(IV), (D)-(III)
- (3) (A)-(III), (B)-(IV), (C)-(I), (D)-(II)
- (4) (A)-(IV), (B)-(III), (C)-(II), (D)-(I)

Options :

- 920906113233. 1
- 920906113234. 2
- 920906113235. 3
- 920906113236. 4

Question Number : 10 Question Id : 92090628654 Question Type : MCQ Option Shuffling : No Is Question Mandatory : No Calculator : None Response Time : N.A Think Time : N.A Minimum Instruction Time : 0

Correct Marks : 4 Wrong Marks : 1

Match List I with List II :

List I (Word)	List II (Antonym)
(A) Triumph	(I) Humble
(B) Timid	(II) Failure
(C) Deficit	(III) Bold
(D) Arrogant	(IV) Surplus

Choose the correct answer from the options given below:

- (1) (A)-(II), (B)-(I), (C)-(IV), (D)-(III)
- (2) (A)-(IV), (B)-(II), (C)-(I), (D)-(III)
- (3) (A)-(II), (B)-(III), (C)-(IV), (D)-(I)
- (4) (A)-(I), (B)-(II), (C)-(III), (D)-(IV)

Options :

- 920906113237. 1
- 920906113238. 2
- 920906113239. 3
- 920906113240. 4

Question Number : 10 Question Id : 92090628654 Question Type : MCQ Option Shuffling : No Is Question Mandatory : No Calculator : None Response Time : N.A Think Time : N.A Minimum Instruction Time : 0

Correct Marks : 4 Wrong Marks : 1

Match List I with List II :

List I (Word)	List II (Antonym)
(A) Triumph	(I) Humble
(B) Timid	(II) Failure
(C) Deficit	(III) Bold
(D) Arrogant	(IV) Surplus

Choose the correct answer from the options given below:

- (1) (A)-(II), (B)-(I), (C)-(IV), (D)-(III)
- (2) (A)-(IV), (B)-(II), (C)-(I), (D)-(III)
- (3) (A)-(II), (B)-(III), (C)-(IV), (D)-(I)
- (4) (A)-(I), (B)-(II), (C)-(III), (D)-(IV)

Options :

920906113237. 1
920906113238. 2
920906113239. 3
920906113240. 4

Question Number : 11 Question Id : 92090628655 Question Type : MCQ Option Shuffling : No Is Question Mandatory : No Calculator : None Response Time : N.A Think Time : N.A Minimum Instruction Time : 0

Correct Marks : 4 Wrong Marks : 1

If $\frac{x-1}{x} = 5$, then the value of $1 + \frac{1}{x^2}$ is:

- | | |
|----------|--------|
| (1) 19 | (2) 17 |
| (3) 14.5 | (4) 15 |

Options :

920906113241. 1
920906113242. 2
920906113243. 3
920906113244. 4

Question Number : 11 Question Id : 92090628655 Question Type : MCQ Option Shuffling : No Is Question Mandatory : No Calculator : None Response Time : N.A Think Time : N.A Minimum Instruction Time : 0

Correct Marks : 4 Wrong Marks : 1

If $\frac{x-1}{x} = 5$, then the value of $1 + \frac{1}{x^2}$ is:

- (1) 19 (2) 17
(3) 14.5 (4) 15

Options :

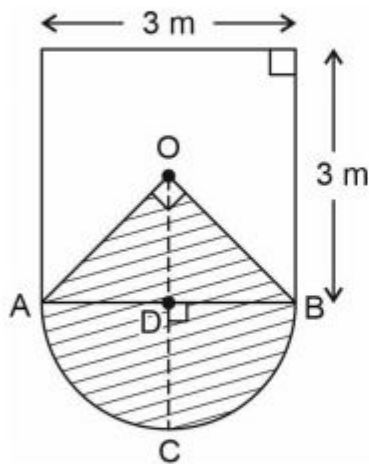
920906113241. 1
920906113242. 2
920906113243. 3
920906113244. 4

Question Number : 12 Question Id : 92090628656 Question Type : MCQ Option Shuffling : No Is Question Mandatory : No Calculator : None Response Time : N.A Think Time : N.A Minimum Instruction Time : 0

Correct Marks : 4 Wrong Marks : 1

If $AD = CD = BD$, then the area of the shaded region OACBO is:

(Given, $\pi = \frac{22}{7}$)



- (1) $\frac{161}{28} \text{ m}^2$ (2) $\frac{81}{14} \text{ m}^2$
(3) $\frac{79}{14} \text{ m}^2$ (4) 6.5 m^2

Options :

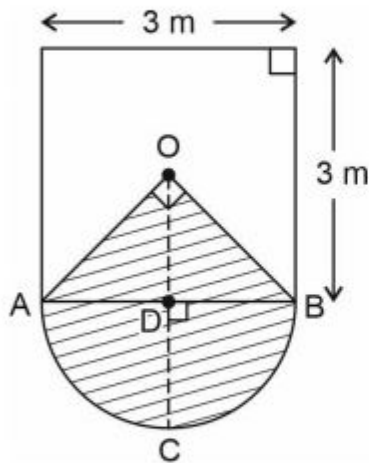
920906113245. 1
920906113246. 2
920906113247. 3
920906113248. 4

Question Number : 12 Question Id : 92090628656 Question Type : MCQ Option Shuffling : No Is Question Mandatory : No Calculator : None Response Time : N.A Think Time : N.A Minimum Instruction Time : 0

Correct Marks : 4 Wrong Marks : 1

If $AD = CD = BD$, then the area of the shaded region OACBO is:

$$\left(\text{Given, } \pi = \frac{22}{7} \right)$$



(1) $\frac{161}{28} \text{ m}^2$

(2) $\frac{81}{14} \text{ m}^2$

(3) $\frac{79}{14} \text{ m}^2$

(4) 6.5 m^2

Options :

920906113245. 1
920906113246. 2
920906113247. 3
920906113248. 4

Question Number : 13 Question Id : 92090628657 Question Type : MCQ Option Shuffling : No Is Question Mandatory : No Calculator : None Response Time : N.A Think Time : N.A Minimum Instruction Time : 0

Correct Marks : 4 Wrong Marks : 1

Two pipes can fill a tank separately in 20 minutes and 60 minutes respectively. What portion of the tank can be filled by both pipes in 12 minutes?

- (1) 60% (2) 75%
(3) 80% (4) 85%

Options :

920906113249. 1
920906113250. 2
920906113251. 3
920906113252. 4

Question Number : 13 Question Id : 92090628657 Question Type : MCQ Option Shuffling : No Is Question Mandatory : No Calculator : None Response Time : N.A Think Time : N.A Minimum Instruction Time : 0

Correct Marks : 4 Wrong Marks : 1

Two pipes can fill a tank separately in 20 minutes and 60 minutes respectively. What portion of the tank can be filled by both pipes in 12 minutes?

- (1) 60% (2) 75%
(3) 80% (4) 85%

Options :

920906113249. 1
920906113250. 2
920906113251. 3
920906113252. 4

Question Number : 14 Question Id : 92090628658 Question Type : MCQ Option Shuffling : No Is Question Mandatory : No Calculator : None Response Time : N.A Think Time : N.A Minimum Instruction Time : 0

Correct Marks : 4 Wrong Marks : 1

Two trains A and B travelling on the same track at 108 km/h and 72 km/h will cross a pole in 60s and 120s respectively. The ratio of their length is:

- (1) 1 : 2 (2) 2 : 3
(3) 3 : 2 (4) 3 : 4

Options :

920906113253. 1
920906113254. 2
920906113255. 3
920906113256. 4

Question Number : 14 Question Id : 92090628658 Question Type : MCQ Option Shuffling : No Is Question Mandatory : No Calculator : None Response Time : N.A Think Time : N.A Minimum Instruction Time : 0

Correct Marks : 4 Wrong Marks : 1

Two trains A and B travelling on the same track at 108 km/h and 72 km/h will cross a pole in 60s and 120s respectively. The ratio of their length is:

- (1) 1 : 2 (2) 2 : 3
(3) 3 : 2 (4) 3 : 4

Options :

920906113253. 1
920906113254. 2
920906113255. 3
920906113256. 4

Question Number : 15 Question Id : 92090628659 Question Type : MCQ Option Shuffling : No Is Question Mandatory : No Calculator : None Response Time : N.A Think Time : N.A Minimum Instruction Time : 0

Correct Marks : 4 Wrong Marks : 1

A pizza can be equally distributed among 8 kids and they can eat their individual shares in 45 min. How many pizzas can be eaten by 12 kids in 2 hr. 30 minutes:

- (1) 8 (2) 7
(3) 6 (4) 5

Options :

920906113257. 1
920906113258. 2
920906113259. 3
920906113260. 4

Question Number : 15 Question Id : 92090628659 Question Type : MCQ Option Shuffling : No Is Question Mandatory : No Calculator : None Response Time : N.A Think Time : N.A Minimum Instruction Time : 0

Correct Marks : 4 Wrong Marks : 1

A pizza can be equally distributed among 8 kids and they can eat their individual shares in 45 min. How many pizzas can be eaten by 12 kids in 2 hr. 30 minutes:

- (1) 8 (2) 7
(3) 6 (4) 5

Options :

920906113257. 1
920906113258. 2
920906113259. 3
920906113260. 4

Question Number : 16 Question Id : 92090628660 Question Type : MCQ Option Shuffling : No Is Question Mandatory : No Calculator : None Response Time : N.A Think Time : N.A Minimum Instruction Time : 0

Correct Marks : 4 Wrong Marks : 1

Find the odd one among the following:

(1) $\frac{15}{\sqrt{4+25}}$

(2) $\frac{20}{\sqrt{36+64}}$

(3) $\frac{100}{\sqrt{49+169}}$

(4) $\frac{25}{\sqrt{9+49}}$

Options :

920906113261. 1
920906113262. 2
920906113263. 3
920906113264. 4

Question Number : 16 Question Id : 92090628660 Question Type : MCQ Option Shuffling : No Is Question Mandatory : No Calculator : None Response Time : N.A Think Time : N.A Minimum Instruction Time : 0

Correct Marks : 4 Wrong Marks : 1

Find the odd one among the following:

(1) $\frac{15}{\sqrt{4+25}}$

(2) $\frac{20}{\sqrt{36+64}}$

(3) $\frac{100}{\sqrt{49+169}}$

(4) $\frac{25}{\sqrt{9+49}}$

Options :

920906113261. 1
920906113262. 2
920906113263. 3
920906113264. 4

Question Number : 17 Question Id : 92090628661 Question Type : MCQ Option Shuffling : No Is Question Mandatory : No Calculator : None Response Time : N.A Think Time : N.A Minimum Instruction Time : 0

Correct Marks : 4 Wrong Marks : 1

There is a certain relationship between two groups of letters. One set of letters is given on left hand side of the symbol :: . Choose the correct alternative which will establish the similar relation with the group of letters given on other side of the symbol :: -

SUWY : LPTX :: PRTV : _____

- | | |
|----------|----------|
| (1) IMQU | (2) INRU |
| (3) INQU | (4) IMRU |

Options :

- 920906113265. 1
- 920906113266. 2
- 920906113267. 3
- 920906113268. 4

Question Number : 17 Question Id : 92090628661 Question Type : MCQ Option Shuffling : No Is Question Mandatory : No Calculator : None Response Time : N.A Think Time : N.A Minimum Instruction Time : 0

Correct Marks : 4 Wrong Marks : 1

There is a certain relationship between two groups of letters. One set of letters is given on left hand side of the symbol :: . Choose the correct alternative which will establish the similar relation with the group of letters given on other side of the symbol :: -

SUWY : LPTX :: PRTV : _____

- | | |
|----------|----------|
| (1) IMQU | (2) INRU |
| (3) INQU | (4) IMRU |

Options :

- 920906113265. 1
- 920906113266. 2
- 920906113267. 3
- 920906113268. 4

Question Number : 18 Question Id : 92090628662 Question Type : MCQ Option Shuffling : No Is Question Mandatory : No Calculator : None Response Time : N.A Think Time : N.A Minimum Instruction Time : 0

Correct Marks : 4 Wrong Marks : 1

Find the next number in the given series :

17, 19, 23, 29, 31, 37, _____

- | | |
|--------|--------|
| (1) 40 | (2) 42 |
| (3) 41 | (4) 43 |

Options :

- 920906113269. 1
- 920906113270. 2
- 920906113271. 3
- 920906113272. 4

Question Number : 18 Question Id : 92090628662 Question Type : MCQ Option Shuffling : No Is Question Mandatory : No Calculator : None Response Time : N.A Think Time : N.A Minimum Instruction Time : 0

Correct Marks : 4 Wrong Marks : 1

Find the next number in the given series :

17, 19, 23, 29, 31, 37, _____

- | | |
|--------|--------|
| (1) 40 | (2) 42 |
| (3) 41 | (4) 43 |

Options :

- 920906113269. 1
- 920906113270. 2
- 920906113271. 3
- 920906113272. 4

Question Number : 19 Question Id : 92090628663 Question Type : MCQ Option Shuffling : No Is Question Mandatory : No Calculator : None Response Time : N.A Think Time : N.A Minimum Instruction Time : 0

Correct Marks : 4 Wrong Marks : 1

In a certain code language, if the word "PARTNER" is coded as OZQSMDQ, then what is the code for the word "SEGMENT" in that language?

- | | |
|-------------|-------------|
| (1) TFHNFOU | (2) RDFLDMS |
| (3) RDELDMS | (4) RDFEDNS |

Options :

- 920906113273. 1
- 920906113274. 2
- 920906113275. 3
- 920906113276. 4

Question Number : 19 Question Id : 92090628663 Question Type : MCQ Option Shuffling : No Is Question Mandatory : No Calculator : None Response Time : N.A Think Time : N.A Minimum Instruction Time : 0

Correct Marks : 4 Wrong Marks : 1

In a certain code language, if the word "PARTNER" is coded as OZQSMDQ, then what is the code for the word "SEGMENT" in that language?

- (1) TFHNFOU (2) RDFLDMS
(3) RDELDMS (4) RDFEDNS

Options :

920906113273. 1
920906113274. 2
920906113275. 3
920906113276. 4

Question Number : 20 Question Id : 92090628664 Question Type : MCQ Option Shuffling : No Is Question Mandatory : No Calculator : None Response Time : N.A Think Time : N.A Minimum Instruction Time : 0

Correct Marks : 4 Wrong Marks : 1

Find the time between 4 and 5 O' clock at which the minute hand and the hour hand are perpendicular to each other.

- (1) $27 \frac{3}{11}$ minutes past 4 (2) $36 \frac{3}{11}$ minutes past 4
(3) $38 \frac{2}{11}$ minutes past 4 (4) $27 \frac{3}{11}$ minutes past 5

Options :

920906113277. 1
920906113278. 2
920906113279. 3
920906113280. 4

Question Number : 20 Question Id : 92090628664 Question Type : MCQ Option Shuffling : No Is Question Mandatory : No Calculator : None Response Time : N.A Think Time : N.A Minimum Instruction Time : 0

Correct Marks : 4 Wrong Marks : 1

Find the time between 4 and 5 O' clock at which the minute hand and the hour hand are perpendicular to each other.

- (1) $27 \frac{3}{11}$ minutes past 4 (2) $36 \frac{3}{11}$ minutes past 4
(3) $38 \frac{2}{11}$ minutes past 4 (4) $27 \frac{3}{11}$ minutes past 5

Options :

920906113277. 1

920906113278. 2

920906113279. 3

920906113280. 4

Question Number : 21 Question Id : 92090628665 Question Type : MCQ Option Shuffling : No Is Question Mandatory : No Calculator : None Response Time : N.A Think Time : N.A Minimum Instruction Time : 0

Correct Marks : 4 Wrong Marks : 1

The headquarter of the Board of Control for Cricket in India (BCCI) is located in _____.

(1) Mumbai

(2) Bengaluru

(3) Kolkata

(4) Delhi

Options :

920906113281. 1

920906113282. 2

920906113283. 3

920906113284. 4

Question Number : 21 Question Id : 92090628665 Question Type : MCQ Option Shuffling : No Is Question Mandatory : No Calculator : None Response Time : N.A Think Time : N.A Minimum Instruction Time : 0

Correct Marks : 4 Wrong Marks : 1

The headquarter of the Board of Control for Cricket in India (BCCI) is located in _____.

(1) Mumbai

(2) Bengaluru

(3) Kolkata

(4) Delhi

Options :

920906113281. 1

920906113282. 2

920906113283. 3

920906113284. 4

Question Number : 22 Question Id : 92090628666 Question Type : MCQ Option Shuffling : No Is Question Mandatory : No Calculator : None Response Time : N.A Think Time : N.A Minimum Instruction Time : 0

Correct Marks : 4 Wrong Marks : 1

Match List I with List II :

List I (Major News Paper of the World)	List II (Country)
(A) The Age	(I) India
(B) The Gazette	(II) Australia
(C) The Press	(III) New Zealand
(D) The Tribune	(IV) Canada

Choose the correct answer from the options given below:

- (1) (A)-(I), (B)-(IV), (C)-(III), (D)-(II)
- (2) (A)-(IV), (B)-(II), (C)-(III), (D)-(I)
- (3) (A)-(II), (B)-(IV), (C)-(III), (D)-(I)
- (4) (A)-(II), (B)-(IV), (C)-(I), (D)-(III)

Options :

920906113285. 1
920906113286. 2
920906113287. 3
920906113288. 4

Question Number : 22 Question Id : 92090628666 Question Type : MCQ Option Shuffling : No Is Question Mandatory : No Calculator : None Response Time : N.A Think Time : N.A Minimum Instruction Time : 0

Correct Marks : 4 Wrong Marks : 1

Match List I with List II :

List I (Major News Paper of the World)	List II (Country)
(A) The Age	(I) India
(B) The Gazette	(II) Australia
(C) The Press	(III) New Zealand
(D) The Tribune	(IV) Canada

Choose the correct answer from the options given below:

- (1) (A)-(I), (B)-(IV), (C)-(III), (D)-(II)
- (2) (A)-(IV), (B)-(II), (C)-(III), (D)-(I)
- (3) (A)-(II), (B)-(IV), (C)-(III), (D)-(I)
- (4) (A)-(II), (B)-(IV), (C)-(I), (D)-(III)

Options :

920906113285. 1
920906113286. 2
920906113287. 3
920906113288. 4

Question Number : 23 Question Id : 92090628667 Question Type : MCQ Option Shuffling : No Is Question Mandatory : No Calculator : None Response Time : N.A Think Time : N.A Minimum Instruction Time : 0

Correct Marks : 4 Wrong Marks : 1

Given below are two statements :

Statement I : 'Vienna' is the capital of 'Australia'

Statement II : 'Euro' is the currency of 'Australia'

In the light of the above statements, choose the correct answer from the options given below :

- (1) Both Statement I and Statement II are correct
- (2) Both Statement I and Statement II are incorrect
- (3) Statement I is correct but Statement II is incorrect
- (4) Statement I is incorrect but Statement II is correct

Options :

920906113289. 1
920906113290. 2
920906113291. 3
920906113292. 4

Question Number : 23 Question Id : 92090628667 Question Type : MCQ Option Shuffling : No Is Question Mandatory : No Calculator : None Response Time : N.A Think Time : N.A Minimum Instruction Time : 0

Correct Marks : 4 Wrong Marks : 1

Given below are two statements :

Statement I : 'Vienna' is the capital of 'Australia'

Statement II : 'Euro' is the currency of 'Australia'

In the light of the above statements, choose the correct answer from the options given below :

- (1) Both Statement I and Statement II are correct
- (2) Both Statement I and Statement II are incorrect
- (3) Statement I is correct but Statement II is incorrect
- (4) Statement I is incorrect but Statement II is correct

Options :

- 920906113289. 1
- 920906113290. 2
- 920906113291. 3
- 920906113292. 4

Question Number : 24 Question Id : 92090628668 Question Type : MCQ Option Shuffling : No Is Question Mandatory : No Calculator : None Response Time : N.A Think Time : N.A Minimum Instruction Time : 0

Correct Marks : 4 Wrong Marks : 1

An electric fan and a heater are marked 100 W, 220V and 1000W, 220V respectively.
The resistance of the heater is_____

- | | |
|---------------------------------|----------------------------------|
| (1) Zero | (2) Greater than that of the fan |
| (3) Lesser than that of the fan | (4) Equal to that of the fan |

Options :

- 920906113293. 1
- 920906113294. 2
- 920906113295. 3
- 920906113296. 4

Question Number : 24 Question Id : 92090628668 Question Type : MCQ Option Shuffling : No Is Question Mandatory : No Calculator : None Response Time : N.A Think Time : N.A Minimum Instruction Time : 0

Correct Marks : 4 Wrong Marks : 1

An electric fan and a heater are marked 100 W, 220V and 1000W, 220V respectively.
The resistance of the heater is _____

- (1) Zero (2) Greater than that of the fan
(3) Lesser than that of the fan (4) Equal to that of the fan

Options :

920906113293. 1
920906113294. 2
920906113295. 3
920906113296. 4

**Question Number : 25 Question Id : 92090628669 Question Type : MCQ Option Shuffling : No Is
Question Mandatory : No Calculator : None Response Time : N.A Think Time : N.A Minimum
Instruction Time : 0**

Correct Marks : 4 Wrong Marks : 1

Match List I with List II :

List I (Author)	List II (Book)
(A) Amartya Sen	(I) I Dare, As I See
(B) Kiran Bedi	(II) Death of a City
(C) Malala Yousafzai	(III) Development as Freedom
(D) Amrita Pritam	(IV) We are displaced

Choose the correct answer from the options given below:

- (1) (A)-(I), (B)-(III), (C)-(II), (D)-(IV)
(2) (A)-(III), (B)-(I), (C)-(IV), (D)-(II)
(3) (A)-(III), (B)-(I), (C)-(II), (D)-(IV)
(4) (A)-(I), (B)-(III), (C)-(IV), (D)-(II)

Options :

920906113297. 1
920906113298. 2
920906113299. 3
920906113300. 4

**Question Number : 25 Question Id : 92090628669 Question Type : MCQ Option Shuffling : No Is
Question Mandatory : No Calculator : None Response Time : N.A Think Time : N.A Minimum
Instruction Time : 0**

Correct Marks : 4 Wrong Marks : 1

Match List I with List II :

List I (Author)	List II (Book)
(A) Amartya Sen	(I) I Dare, As I See
(B) Kiran Bedi	(II) Death of a City
(C) Malala Yousafzai	(III) Development as Freedom
(D) Amrita Pritam	(IV) We are displaced

Choose the correct answer from the options given below:

- (1) (A)-(I), (B)-(III), (C)-(II), (D)-(IV)
- (2) (A)-(III), (B)-(I), (C)-(IV), (D)-(II)
- (3) (A)-(III), (B)-(I), (C)-(II), (D)-(IV)
- (4) (A)-(I), (B)-(III), (C)-(IV), (D)-(II)

Options :

920906113297. 1
920906113298. 2
920906113299. 3
920906113300. 4

Part B: Hindi

Section Id :	920906568
Section Number :	2
Section type :	Online
Mandatory or Optional :	Mandatory
Number of Questions :	75
Number of Questions to be attempted :	75
Section Marks :	300
Enable Mark as Answered Mark for Review and Clear Response :	Yes
Maximum Instruction Time :	0
Sub-Section Number :	1
Sub-Section Id :	920906918
Question Shuffling Allowed :	Yes
Is Section Default? :	null

Question Number : 26 Question Id : 92090628670 Question Type : MCQ Option Shuffling : No Is Question Mandatory : No Calculator : None Response Time : N.A Think Time : N.A Minimum Instruction Time : 0 Correct Marks : 4 Wrong Marks : 1

ग्रियर्सन द्वारा निर्दिष्ट 'चारण काल' नामकरण के अंतर्गत निम्नलिखित में से कौन नौ कवियों में शामिल नहीं हैं?

- | | |
|---------------|---------------|
| (1) केदार | (2) कुमार पाल |
| (3) विद्यापति | (4) जोधराज |

Options :

920906113301. 1
920906113302. 2
920906113303. 3
920906113304. 4

Question Number : 26 Question Id : 92090628670 Question Type : MCQ Option Shuffling : No Is Question Mandatory : No Calculator : None Response Time : N.A Think Time : N.A Minimum Instruction Time : 0

Correct Marks : 4 Wrong Marks : 1

ग्रियर्सन द्वारा निर्दिष्ट 'चारण काल' नामकरण के अंतर्गत निम्नलिखित में से कौन नौ कवियों में शामिल नहीं हैं?

- | | |
|---------------|---------------|
| (1) केदार | (2) कुमार पाल |
| (3) विद्यापति | (4) जोधराज |

Options :

920906113301. 1
920906113302. 2
920906113303. 3
920906113304. 4

Question Number : 27 Question Id : 92090628671 Question Type : MCQ Option Shuffling : No Is Question Mandatory : No Calculator : None Response Time : N.A Think Time : N.A Minimum Instruction Time : 0

Correct Marks : 4 Wrong Marks : 1

आदिकाल को 'सिद्ध सामंत काल' की संज्ञा किस विद्वान ने दी है?

- | | |
|----------------------------|--------------------------|
| (1) महावीर प्रसाद द्विवेदी | (2) हजारीप्रसाद द्विवेदी |
| (3) मिश्रबंधु | (4) राहुल सांकृत्यायन |

Options :

920906113305. 1
920906113306. 2
920906113307. 3

920906113308. 4

Question Number : 27 Question Id : 92090628671 Question Type : MCQ Option Shuffling : No Is Question Mandatory : No Calculator : None Response Time : N.A Think Time : N.A Minimum Instruction Time : 0

Correct Marks : 4 Wrong Marks : 1

आदिकाल को 'सिद्ध सामंत काल' की संज्ञा किस विद्वान ने दी है?

- | | |
|----------------------------|--------------------------|
| (1) महावीर प्रसाद द्विवेदी | (2) हजारीप्रसाद द्विवेदी |
| (3) मिश्रबंधु | (4) राहुल सांकृत्यायन |

Options :

920906113305. 1
920906113306. 2
920906113307. 3
920906113308. 4

Question Number : 28 Question Id : 92090628672 Question Type : MCQ Option Shuffling : No Is Question Mandatory : No Calculator : None Response Time : N.A Think Time : N.A Minimum Instruction Time : 0

Correct Marks : 4 Wrong Marks : 1

आचार्य हजारीप्रसाद द्विवेदी कृत 'हिन्दी साहित्य: उद्भव और विकास' ग्रंथ किस वर्ष प्रकाशित हुआ था ?

- | | |
|----------|----------|
| (1) 1928 | (2) 1929 |
| (3) 1952 | (4) 1986 |

Options :

920906113309. 1
920906113310. 2
920906113311. 3
920906113312. 4

Question Number : 28 Question Id : 92090628672 Question Type : MCQ Option Shuffling : No Is Question Mandatory : No Calculator : None Response Time : N.A Think Time : N.A Minimum Instruction Time : 0

Correct Marks : 4 Wrong Marks : 1

आचार्य हजारीप्रसाद द्विवेदी कृत 'हिन्दी साहित्य: उद्भव और विकास' ग्रंथ किस वर्ष प्रकाशित हुआ था ?

- | | |
|----------|----------|
| (1) 1928 | (2) 1929 |
| (3) 1952 | (4) 1986 |

Options :

920906113309. 1
920906113310. 2
920906113311. 3
920906113312. 4

Question Number : 29 Question Id : 92090628673 Question Type : MCQ Option Shuffling : No Is Question Mandatory : No Calculator : None Response Time : N.A Think Time : N.A Minimum Instruction Time : 0

Correct Marks : 4 Wrong Marks : 1

“जबकि प्रत्येक देश का साहित्य वहाँ की जनता की चित्तवृत्ति का संचित प्रतिबिम्ब होता है।” यह पंक्ति किस आलोचक की है?

- | | |
|---------------------|--------------------------|
| (1) रामचन्द्र शुक्ल | (2) हजारीप्रसाद द्विवेदी |
| (3) नगेन्द्र | (4) रामविलास शर्मा |

Options :

920906113313. 1
920906113314. 2
920906113315. 3
920906113316. 4

Question Number : 29 Question Id : 92090628673 Question Type : MCQ Option Shuffling : No Is Question Mandatory : No Calculator : None Response Time : N.A Think Time : N.A Minimum Instruction Time : 0

Correct Marks : 4 Wrong Marks : 1

“जबकि प्रत्येक देश का साहित्य वहाँ की जनता की चित्तवृत्ति का संचित प्रतिबिम्ब होता है।” यह पंक्ति किस आलोचक की है?

- | | |
|---------------------|--------------------------|
| (1) रामचन्द्र शुक्ल | (2) हजारीप्रसाद द्विवेदी |
| (3) नगेन्द्र | (4) रामविलास शर्मा |

Options :

920906113313. 1
920906113314. 2
920906113315. 3
920906113316. 4

Question Number : 30 Question Id : 92090628674 Question Type : MCQ Option Shuffling : No Is Question Mandatory : No Calculator : None Response Time : N.A Think Time : N.A Minimum Instruction Time : 0

Correct Marks : 4 Wrong Marks : 1

डॉ. बच्चन सिंह के अनुसार कबीर की वाणियों के सबसे पुराने नमूने किस सिख गुरु ने संकलित किए हैं?

- | | |
|------------------|-----------------------|
| (1) गुरु नानक | (2) गुरु अर्जुनदेव |
| (3) गुरु अंगददेव | (4) गुरु गोविन्द सिंह |

Options :

920906113317. 1
920906113318. 2
920906113319. 3
920906113320. 4

Question Number : 30 Question Id : 92090628674 Question Type : MCQ Option Shuffling : No Is Question Mandatory : No Calculator : None Response Time : N.A Think Time : N.A Minimum Instruction Time : 0

Correct Marks : 4 Wrong Marks : 1

डॉ. बच्चन सिंह के अनुसार कबीर की वाणियों के सबसे पुराने नमूने किस सिख गुरु ने संकलित किए हैं?

- | | |
|------------------|-----------------------|
| (1) गुरु नानक | (2) गुरु अर्जुनदेव |
| (3) गुरु अंगददेव | (4) गुरु गोविन्द सिंह |

Options :

920906113317. 1
920906113318. 2
920906113319. 3
920906113320. 4

Question Number : 31 Question Id : 92090628675 Question Type : MCQ Option Shuffling : No Is Question Mandatory : No Calculator : None Response Time : N.A Think Time : N.A Minimum Instruction Time : 0

Correct Marks : 4 Wrong Marks : 1

‘झूठो है झूठो है झूठो सदा, जग संत कहंत जे अंत लहा है।’ यह पंक्ति किस कवि की है?

- | | |
|--------------|------------|
| (1) कबीर | (2) सूरदास |
| (3) तुलसीदास | (4) नंददास |

Options :

920906113321. 1
920906113322. 2
920906113323. 3
920906113324. 4

Question Number : 31 Question Id : 92090628675 Question Type : MCQ Option Shuffling : No Is Question Mandatory : No Calculator : None Response Time : N.A Think Time : N.A Minimum Instruction Time : 0

Correct Marks : 4 Wrong Marks : 1

‘झूठो है झूठो है झूठो सदा, जग संत कहंत जे अंत लहा है।’ यह पंक्ति किस कवि की है?

- | | |
|--------------|------------|
| (1) कबीर | (2) सूरदास |
| (3) तुलसीदास | (4) नंददास |

Options :

- 920906113321. 1
- 920906113322. 2
- 920906113323. 3
- 920906113324. 4

Question Number : 32 Question Id : 92090628676 Question Type : MCQ Option Shuffling : No Is Question Mandatory : No Calculator : None Response Time : N.A Think Time : N.A Minimum Instruction Time : 0

Correct Marks : 4 Wrong Marks : 1

किस विद्वान ने आठवीं शताब्दी के कवि स्वयंभू को हिंदी का सबसे बड़ा कवि माना है?

- | | |
|---------------------|----------------------------|
| (1) रामचन्द्र शुक्ल | (2) महावीर प्रसाद द्विवेदी |
| (3) रामकुमार वर्मा | (4) राहुल सांकृत्यायन |

Options :

- 920906113325. 1
- 920906113326. 2
- 920906113327. 3
- 920906113328. 4

Question Number : 32 Question Id : 92090628676 Question Type : MCQ Option Shuffling : No Is Question Mandatory : No Calculator : None Response Time : N.A Think Time : N.A Minimum Instruction Time : 0

Correct Marks : 4 Wrong Marks : 1

किस विद्वान ने आठवीं शताब्दी के कवि स्वयंभू को हिंदी का सबसे बड़ा कवि माना है?

- | | |
|---------------------|----------------------------|
| (1) रामचन्द्र शुक्ल | (2) महावीर प्रसाद द्विवेदी |
| (3) रामकुमार वर्मा | (4) राहुल सांकृत्यायन |

Options :

920906113325. 1
920906113326. 2
920906113327. 3
920906113328. 4

Question Number : 33 Question Id : 92090628677 Question Type : MCQ Option Shuffling : No Is Question Mandatory : No Calculator : None Response Time : N.A Think Time : N.A Minimum Instruction Time : 0
Correct Marks : 4 Wrong Marks : 1

निम्नलिखित में से किस रचनाकार ने अपनी कृति के लिए लोरिक-चन्दा की कहानी का उपयोग नहीं किया?

- | | |
|-----------------|----------------|
| (1) मौलाना दाउद | (2) गवासी |
| (3) दौलत काज़ी | (4) अमीर खुसरो |

Options :

920906113329. 1
920906113330. 2
920906113331. 3
920906113332. 4

Question Number : 33 Question Id : 92090628677 Question Type : MCQ Option Shuffling : No Is Question Mandatory : No Calculator : None Response Time : N.A Think Time : N.A Minimum Instruction Time : 0
Correct Marks : 4 Wrong Marks : 1

निम्नलिखित में से किस रचनाकार ने अपनी कृति के लिए लोरिक-चन्दा की कहानी का उपयोग नहीं किया?

- | | |
|-----------------|----------------|
| (1) मौलाना दाउद | (2) गवासी |
| (3) दौलत काज़ी | (4) अमीर खुसरो |

Options :

920906113329. 1
920906113330. 2
920906113331. 3
920906113332. 4

Question Number : 34 Question Id : 92090628678 Question Type : MCQ Option Shuffling : No Is Question Mandatory : No Calculator : None Response Time : N.A Think Time : N.A Minimum Instruction Time : 0
Correct Marks : 4 Wrong Marks : 1

निम्नलिखित में से कौन सी रचना केशवदास की नहीं है?

- | | |
|------------------|------------------|
| (1) विष्णुप्रिया | (2) रामचन्द्रिका |
| (3) कविप्रिया | (4) रसिकप्रिया |

Options :

920906113333. 1
920906113334. 2
920906113335. 3
920906113336. 4

Question Number : 34 Question Id : 92090628678 Question Type : MCQ Option Shuffling : No Is Question Mandatory : No Calculator : None Response Time : N.A Think Time : N.A Minimum Instruction Time : 0

Correct Marks : 4 Wrong Marks : 1

निम्नलिखित में से कौन सी रचना केशवदास की नहीं है?

- | | |
|------------------|------------------|
| (1) विष्णुप्रिया | (2) रामचन्द्रिका |
| (3) कविप्रिया | (4) रसिकप्रिया |

Options :

920906113333. 1
920906113334. 2
920906113335. 3
920906113336. 4

Question Number : 35 Question Id : 92090628679 Question Type : MCQ Option Shuffling : No Is Question Mandatory : No Calculator : None Response Time : N.A Think Time : N.A Minimum Instruction Time : 0

Correct Marks : 4 Wrong Marks : 1

'ठेठ हिंदी का ठाठ' किस विधा की रचना है?

- | | |
|------------|-------------|
| (1) आलोचना | (2) उपन्यास |
| (3) निबंध | (4) काव्य |

Options :

920906113337. 1
920906113338. 2
920906113339. 3
920906113340. 4

Question Number : 35 Question Id : 92090628679 Question Type : MCQ Option Shuffling : No Is Question Mandatory : No Calculator : None Response Time : N.A Think Time : N.A Minimum Instruction Time : 0

Correct Marks : 4 Wrong Marks : 1

‘ठेठ हिंदी का ठाठ’ किस विधा की रचना है?

- | | |
|------------|-------------|
| (1) आलोचना | (2) उपन्यास |
| (3) निबंध | (4) काव्य |

Options :

920906113337. 1

920906113338. 2

920906113339. 3

920906113340. 4

Question Number : 36 Question Id : 92090628680 Question Type : MCQ Option Shuffling : No Is Question Mandatory : No Calculator : None Response Time : N.A Think Time : N.A Minimum Instruction Time : 0

Correct Marks : 4 Wrong Marks : 1

‘मैला आँचल’ का प्रकाशन वर्ष क्या है?

- | | |
|----------|----------|
| (1) 1954 | (2) 1955 |
| (3) 1956 | (4) 1957 |

Options :

920906113341. 1

920906113342. 2

920906113343. 3

920906113344. 4

Question Number : 36 Question Id : 92090628680 Question Type : MCQ Option Shuffling : No Is Question Mandatory : No Calculator : None Response Time : N.A Think Time : N.A Minimum Instruction Time : 0

Correct Marks : 4 Wrong Marks : 1

‘मैला आँचल’ का प्रकाशन वर्ष क्या है?

- | | |
|----------|----------|
| (1) 1954 | (2) 1955 |
| (3) 1956 | (4) 1957 |

Options :

920906113341. 1

920906113342. 2

920906113343. 3

920906113344. 4

Question Number : 37 Question Id : 92090628681 Question Type : MCQ Option Shuffling : No Is Question Mandatory : No Calculator : None Response Time : N.A Think Time : N.A Minimum Instruction Time : 0

Correct Marks : 4 Wrong Marks : 1

‘नया साहित्य: नए प्रश्न’ आलोचना ग्रंथ के रचनाकार कौन हैं?

- | | |
|--------------------|-----------------------|
| (1) रामचंद्र शुक्ल | (2) नंददुलारे वाजपेयी |
| (3) श्यामसुंदर दास | (4) रामविलास शर्मा |

Options :

920906113345. 1

920906113346. 2

920906113347. 3

920906113348. 4

Question Number : 37 Question Id : 92090628681 Question Type : MCQ Option Shuffling : No Is Question Mandatory : No Calculator : None Response Time : N.A Think Time : N.A Minimum Instruction Time : 0

Correct Marks : 4 Wrong Marks : 1

‘नया साहित्य: नए प्रश्न’ आलोचना ग्रंथ के रचनाकार कौन हैं?

- | | |
|--------------------|-----------------------|
| (1) रामचंद्र शुक्ल | (2) नंददुलारे वाजपेयी |
| (3) श्यामसुंदर दास | (4) रामविलास शर्मा |

Options :

920906113345. 1

920906113346. 2

920906113347. 3

920906113348. 4

Question Number : 38 Question Id : 92090628682 Question Type : MCQ Option Shuffling : No Is Question Mandatory : No Calculator : None Response Time : N.A Think Time : N.A Minimum Instruction Time : 0

Correct Marks : 4 Wrong Marks : 1

निम्नलिखित में से रामचंद्र शुक्ल का आलोचना ग्रंथ नहीं है?

- | | |
|----------------|------------------------|
| (1) भाषा रहस्य | (2) काव्य में रहस्यवाद |
| (3) बुद्धचरित | (4) रस मीमांसा |

Options :

- 920906113349. 1
- 920906113350. 2
- 920906113351. 3
- 920906113352. 4

Question Number : 38 Question Id : 92090628682 Question Type : MCQ Option Shuffling : No Is Question Mandatory : No Calculator : None Response Time : N.A Think Time : N.A Minimum Instruction Time : 0

Correct Marks : 4 Wrong Marks : 1

निम्नलिखित में से रामचंद्र शुक्ल का आलोचना ग्रंथ नहीं है?

- (1) भाषा रहस्य
- (2) काव्य में रहस्यवाद
- (3) बुद्धचरित
- (4) रस मीमांसा

Options :

- 920906113349. 1
- 920906113350. 2
- 920906113351. 3
- 920906113352. 4

Question Number : 39 Question Id : 92090628683 Question Type : MCQ Option Shuffling : No Is Question Mandatory : No Calculator : None Response Time : N.A Think Time : N.A Minimum Instruction Time : 0

Correct Marks : 4 Wrong Marks : 1

निम्नलिखित में से सूर्यकांत त्रिपाठी 'निराला' का उपन्यास नहीं है?

- (1) चोटी की पकड़
- (2) काले कारनामे
- (3) ज्योत्स्ना
- (4) निरुपमा

Options :

- 920906113353. 1
- 920906113354. 2
- 920906113355. 3
- 920906113356. 4

Question Number : 39 Question Id : 92090628683 Question Type : MCQ Option Shuffling : No Is Question Mandatory : No Calculator : None Response Time : N.A Think Time : N.A Minimum Instruction Time : 0

Correct Marks : 4 Wrong Marks : 1

निम्नलिखित में से सूर्यकांत त्रिपाठी 'निराला' का उपन्यास नहीं है?

- | | |
|------------------|------------------|
| (1) चोटी की पकड़ | (2) काले कारनामे |
| (3) ज्योत्स्ना | (4) निरुपमा |

Options :

920906113353. 1
920906113354. 2
920906113355. 3
920906113356. 4

Question Number : 40 Question Id : 92090628684 Question Type : MCQ Option Shuffling : No Is Question Mandatory : No Calculator : None Response Time : N.A Think Time : N.A Minimum Instruction Time : 0

Correct Marks : 4 Wrong Marks : 1

‘क्या भूलूँ क्या याद करूँ’ किसकी रचना है?

- | | |
|----------------------|----------------------|
| (1) हरिवंश राय बच्चन | (2) गुलाब राय |
| (3) वियोगी हरि | (4) राजेन्द्र प्रसाद |

Options :

920906113357. 1
920906113358. 2
920906113359. 3
920906113360. 4

Question Number : 40 Question Id : 92090628684 Question Type : MCQ Option Shuffling : No Is Question Mandatory : No Calculator : None Response Time : N.A Think Time : N.A Minimum Instruction Time : 0

Correct Marks : 4 Wrong Marks : 1

‘क्या भूलूँ क्या याद करूँ’ किसकी रचना है?

- | | |
|----------------------|----------------------|
| (1) हरिवंश राय बच्चन | (2) गुलाब राय |
| (3) वियोगी हरि | (4) राजेन्द्र प्रसाद |

Options :

920906113357. 1
920906113358. 2
920906113359. 3
920906113360. 4

Question Number : 41 Question Id : 92090628685 Question Type : MCQ Option Shuffling : No Is Question Mandatory : No Calculator : None Response Time : N.A Think Time : N.A Minimum

Instruction Time : 0

Correct Marks : 4 Wrong Marks : 1

लाला श्रीनिवास दास के नाटक 'संयोगिता स्वयंवर' की समीक्षा किस पत्रिका में प्रकाशित हुई थी?

- | | |
|------------------------|------------------|
| (1) हरिश्चन्द्र मैगजीन | (2) सरस्वती |
| (3) आनंद कादंबिनी | (4) हिंदी प्रदीप |

Options :

920906113361. 1
920906113362. 2
920906113363. 3
920906113364. 4

Question Number : 41 Question Id : 92090628685 Question Type : MCQ Option Shuffling : No Is Question Mandatory : No Calculator : None Response Time : N.A Think Time : N.A Minimum Instruction Time : 0

Correct Marks : 4 Wrong Marks : 1

लाला श्रीनिवास दास के नाटक 'संयोगिता स्वयंवर' की समीक्षा किस पत्रिका में प्रकाशित हुई थी?

- | | |
|------------------------|------------------|
| (1) हरिश्चन्द्र मैगजीन | (2) सरस्वती |
| (3) आनंद कादंबिनी | (4) हिंदी प्रदीप |

Options :

920906113361. 1
920906113362. 2
920906113363. 3
920906113364. 4

Question Number : 42 Question Id : 92090628686 Question Type : MCQ Option Shuffling : No Is Question Mandatory : No Calculator : None Response Time : N.A Think Time : N.A Minimum Instruction Time : 0

Correct Marks : 4 Wrong Marks : 1

“मैंने कुछ संक्षिप्त नोट तैयार किए थे, जिनमें परिस्थिति के अनुसार शिक्षित जनसमूह की बदलती हुई प्रवृत्तियों को लक्ष्य करके हिंदी साहित्य के इतिहास के काल-विभाग और रचना की भिन्न शाखाओं के निरूपण का एक कच्चा ढाँचा खड़ा किया गया था।” यह कथन किस साहित्येतिहासकार का है?

- | | |
|--------------------------|--------------------|
| (1) मिश्रबंधु | (2) रामचंद्र शुक्ल |
| (3) हजारीप्रसाद द्विवेदी | (4) बच्चन सिंह |

Options :

920906113365. 1
920906113366. 2
920906113367. 3

920906113368. 4

Question Number : 42 Question Id : 92090628686 Question Type : MCQ Option Shuffling : No Is Question Mandatory : No Calculator : None Response Time : N.A Think Time : N.A Minimum Instruction Time : 0

Correct Marks : 4 Wrong Marks : 1

“मैंने कुछ संक्षिप्त नोट तैयार किए थे, जिनमें परिस्थिति के अनुसार शिक्षित जनसमूह की बदलती हुई प्रवृत्तियों को लक्ष्य करके हिंदी साहित्य के इतिहास के काल-विभाग और रचना की भिन्न शाखाओं के निरूपण का एक कच्चा ढाँचा खड़ा किया गया था।” यह कथन किस साहित्येतिहासकार का है?

- | | |
|--------------------------|--------------------|
| (1) मिश्रबंधु | (2) रामचंद्र शुक्ल |
| (3) हजारीप्रसाद द्विवेदी | (4) बच्चन सिंह |

Options :

920906113365. 1
920906113366. 2
920906113367. 3
920906113368. 4

Question Number : 43 Question Id : 92090628687 Question Type : MCQ Option Shuffling : No Is Question Mandatory : No Calculator : None Response Time : N.A Think Time : N.A Minimum Instruction Time : 0

Correct Marks : 4 Wrong Marks : 1

‘एक साहित्यिक की डायरी’ के रचनाकार कौन हैं?

- | | |
|--------------------------|-----------------------|
| (1) गजानन माधव मुक्तिबोध | (2) रामवृक्ष बेनीपुरी |
| (3) विष्णु प्रभाकर | (4) यशपाल |

Options :

920906113369. 1
920906113370. 2
920906113371. 3
920906113372. 4

Question Number : 43 Question Id : 92090628687 Question Type : MCQ Option Shuffling : No Is Question Mandatory : No Calculator : None Response Time : N.A Think Time : N.A Minimum Instruction Time : 0

Correct Marks : 4 Wrong Marks : 1

‘एक साहित्यिक की डायरी’ के रचनाकार कौन हैं?

- (1) गजानन माधव मुक्तिबोध (2) रामवृक्ष बेनीपुरी
(3) विष्णु प्रभाकर (4) यशपाल

Options :

920906113369. 1
920906113370. 2
920906113371. 3
920906113372. 4

Question Number : 44 Question Id : 92090628688 Question Type : MCQ Option Shuffling : No Is Question Mandatory : No Calculator : None Response Time : N.A Think Time : N.A Minimum Instruction Time : 0

Correct Marks : 4 Wrong Marks : 1

निम्नलिखित में से ‘जीवनी’ विधा की रचना कौन सी नहीं है ?

- (1) आचारा मसीहा (2) सिंहावलोकन
(3) कलम का सिपाही (4) साधना प्रारंभ

Options :

920906113373. 1
920906113374. 2
920906113375. 3
920906113376. 4

Question Number : 44 Question Id : 92090628688 Question Type : MCQ Option Shuffling : No Is Question Mandatory : No Calculator : None Response Time : N.A Think Time : N.A Minimum Instruction Time : 0

Correct Marks : 4 Wrong Marks : 1

निम्नलिखित में से ‘जीवनी’ विधा की रचना कौन सी नहीं है ?

- (1) आचारा मसीहा (2) सिंहावलोकन
(3) कलम का सिपाही (4) साधना प्रारंभ

Options :

920906113373. 1
920906113374. 2
920906113375. 3
920906113376. 4

Question Number : 45 Question Id : 92090628689 Question Type : MCQ Option Shuffling : No Is Question Mandatory : No Calculator : None Response Time : N.A Think Time : N.A Minimum Instruction Time : 0

Correct Marks : 4 Wrong Marks : 1

डॉ. रामस्वरूप चतुर्वेदी ने किसे खड़ी बोली हिंदी का प्रथम महाकाव्य माना है ?

- | | |
|-------------|-----------------|
| (1) साकेत | (2) प्रियप्रवास |
| (3) लोकायतन | (4) कामायनी |

Options :

- 920906113377. 1
- 920906113378. 2
- 920906113379. 3
- 920906113380. 4

Question Number : 45 Question Id : 92090628689 Question Type : MCQ Option Shuffling : No Is Question Mandatory : No Calculator : None Response Time : N.A Think Time : N.A Minimum Instruction Time : 0

Correct Marks : 4 Wrong Marks : 1

डॉ. रामस्वरूप चतुर्वेदी ने किसे खड़ी बोली हिंदी का प्रथम महाकाव्य माना है ?

- | | |
|-------------|-----------------|
| (1) साकेत | (2) प्रियप्रवास |
| (3) लोकायतन | (4) कामायनी |

Options :

- 920906113377. 1
- 920906113378. 2
- 920906113379. 3
- 920906113380. 4

Question Number : 46 Question Id : 92090628690 Question Type : MCQ Option Shuffling : No Is Question Mandatory : No Calculator : None Response Time : N.A Think Time : N.A Minimum Instruction Time : 0

Correct Marks : 4 Wrong Marks : 1

प्रयोजनमूलक हिंदी का अर्थ है -

- | | |
|-----------------------------------|--|
| (1) जिसका कोई शिल्प हो। | (2) जिसका कोई विशेष अर्थ हो। |
| (3) जिसके मूल में कोई प्रयोजन हो। | (4) जो किसी विशेष व्यक्ति द्वारा बोली जाती हो। |

Options :

- 920906113381. 1
- 920906113382. 2

920906113383. 3

920906113384. 4

Question Number : 46 Question Id : 92090628690 Question Type : MCQ Option Shuffling : No Is Question Mandatory : No Calculator : None Response Time : N.A Think Time : N.A Minimum Instruction Time : 0

Correct Marks : 4 Wrong Marks : 1

प्रयोजनमूलक हिंदी का अर्थ है -

- | | |
|-----------------------------------|--|
| (1) जिसका कोई शिल्प हो। | (2) जिसका कोई विशेष अर्थ हो। |
| (3) जिसके मूल में कोई प्रयोजन हो। | (4) जो किसी विशेष व्यक्ति द्वारा बोली जाती हो। |

Options :

920906113381. 1

920906113382. 2

920906113383. 3

920906113384. 4

Question Number : 47 Question Id : 92090628691 Question Type : MCQ Option Shuffling : No Is Question Mandatory : No Calculator : None Response Time : N.A Think Time : N.A Minimum Instruction Time : 0

Correct Marks : 4 Wrong Marks : 1

प्रयोजनमूलक हिंदी का क्षेत्र नहीं है?

- | | |
|--------------------------------|----------------------------|
| (1) कार्यालयी हिंदी का क्षेत्र | (2) तकनीकी भाषा का क्षेत्र |
| (3) जनसंचार की भाषा का क्षेत्र | (4) लोकभाषा का क्षेत्र |

Options :

920906113385. 1

920906113386. 2

920906113387. 3

920906113388. 4

Question Number : 47 Question Id : 92090628691 Question Type : MCQ Option Shuffling : No Is Question Mandatory : No Calculator : None Response Time : N.A Think Time : N.A Minimum Instruction Time : 0

Correct Marks : 4 Wrong Marks : 1

प्रयोजनमूलक हिंदी का क्षेत्र नहीं है?

- | | |
|--------------------------------|----------------------------|
| (1) कार्यालयी हिंदी का क्षेत्र | (2) तकनीकी भाषा का क्षेत्र |
| (3) जनसंचार की भाषा का क्षेत्र | (4) लोकभाषा का क्षेत्र |

Options :

- 920906113385. 1
- 920906113386. 2
- 920906113387. 3
- 920906113388. 4

Question Number : 48 Question Id : 92090628692 Question Type : MCQ Option Shuffling : No Is Question Mandatory : No Calculator : None Response Time : N.A Think Time : N.A Minimum Instruction Time : 0

Correct Marks : 4 Wrong Marks : 1

रहीम द्वारा रचित 'बरवै' छंद किस भाषा में लिखे गए हैं?

- | | |
|----------|---------------|
| (1) ब्रज | (2) मैथिली |
| (3) अवधी | (4) राजस्थानी |

Options :

- 920906113389. 1
- 920906113390. 2
- 920906113391. 3
- 920906113392. 4

Question Number : 48 Question Id : 92090628692 Question Type : MCQ Option Shuffling : No Is Question Mandatory : No Calculator : None Response Time : N.A Think Time : N.A Minimum Instruction Time : 0

Correct Marks : 4 Wrong Marks : 1

रहीम द्वारा रचित 'बरवै' छंद किस भाषा में लिखे गए हैं?

- | | |
|----------|---------------|
| (1) ब्रज | (2) मैथिली |
| (3) अवधी | (4) राजस्थानी |

Options :

- 920906113389. 1
- 920906113390. 2
- 920906113391. 3
- 920906113392. 4

Question Number : 49 Question Id : 92090628693 Question Type : MCQ Option Shuffling : No Is Question Mandatory : No Calculator : None Response Time : N.A Think Time : N.A Minimum Instruction Time : 0

Correct Marks : 4 Wrong Marks : 1

निम्नलिखित में से कौन सा राज्य राजभाषा नियम 1976 के अंतर्गत क्षेत्र 'ख' में नहीं आता?

- | | |
|----------------|------------|
| (1) महाराष्ट्र | (2) गुजरात |
| (3) पंजाब | (4) उड़ीसा |

Options :

920906113393. 1
920906113394. 2
920906113395. 3
920906113396. 4

Question Number : 49 Question Id : 92090628693 Question Type : MCQ Option Shuffling : No Is Question Mandatory : No Calculator : None Response Time : N.A Think Time : N.A Minimum Instruction Time : 0

Correct Marks : 4 Wrong Marks : 1

निम्नलिखित में से कौन सा राज्य राजभाषा नियम 1976 के अंतर्गत क्षेत्र 'ख' में नहीं आता?

- | | |
|----------------|------------|
| (1) महाराष्ट्र | (2) गुजरात |
| (3) पंजाब | (4) उड़ीसा |

Options :

920906113393. 1
920906113394. 2
920906113395. 3
920906113396. 4

Question Number : 50 Question Id : 92090628694 Question Type : MCQ Option Shuffling : No Is Question Mandatory : No Calculator : None Response Time : N.A Think Time : N.A Minimum Instruction Time : 0

Correct Marks : 4 Wrong Marks : 1

निम्नलिखित में से कौन-सी विज्ञापन पंक्तियाँ पीयूष पांडे द्वारा लिखित नहीं हैं?

- (1) यह फेविकोल का जोड़ है, टूटेगा नहीं (फेविकोल)
- (2) ठंडा मतलब, कोकाकोला (कोका कोला)
- (3) कुछ खास है हम सभी में (कैडबरी)
- (4) हर घर कुछ कहता है (एशियन पेंट्स)

Options :

920906113397. 1
920906113398. 2
920906113399. 3

920906113400. 4

Question Number : 50 Question Id : 92090628694 Question Type : MCQ Option Shuffling : No Is Question Mandatory : No Calculator : None Response Time : N.A Think Time : N.A Minimum Instruction Time : 0

Correct Marks : 4 Wrong Marks : 1

निम्नलिखित में से कौन-सी विज्ञापन पंक्तियाँ पीयूष पांडे द्वारा लिखित नहीं हैं ?

- (1) यह फेविकोल का जोड़ है, टूटेगा नहीं (फेविकोल)
- (2) ठंडा मतलब, कोकाकोला (कोका कोला)
- (3) कुछ खास है हम सभी में (कैडबरी)
- (4) हर घर कुछ कहता है (एशियन पेंट्स)

Options :

920906113397. 1
920906113398. 2
920906113399. 3
920906113400. 4

Question Number : 51 Question Id : 92090628695 Question Type : MCQ Option Shuffling : No Is Question Mandatory : No Calculator : None Response Time : N.A Think Time : N.A Minimum Instruction Time : 0

Correct Marks : 4 Wrong Marks : 1

पहला हिंदी रेडियो नाटक कब प्रसारित हुआ था ?

- | | |
|----------|----------|
| (1) 1927 | (2) 1930 |
| (3) 1936 | (4) 1940 |

Options :

920906113401. 1
920906113402. 2
920906113403. 3
920906113404. 4

Question Number : 51 Question Id : 92090628695 Question Type : MCQ Option Shuffling : No Is Question Mandatory : No Calculator : None Response Time : N.A Think Time : N.A Minimum Instruction Time : 0

Correct Marks : 4 Wrong Marks : 1

पहला हिंदी रेडियो नाटक कब प्रसारित हुआ था ?

- | | |
|----------|----------|
| (1) 1927 | (2) 1930 |
| (3) 1936 | (4) 1940 |

Options :

920906113401. 1
920906113402. 2
920906113403. 3
920906113404. 4

Question Number : 52 Question Id : 92090628696 Question Type : MCQ Option Shuffling : No Is Question Mandatory : No Calculator : None Response Time : N.A Think Time : N.A Minimum Instruction Time : 0

Correct Marks : 4 Wrong Marks : 1

'ये दिल माँगे मोर' स्लोगन किस उत्पाद के लिए प्रयुक्त हुआ है ?

- | | |
|--------------|-------------|
| (1) कोकाकोला | (2) पेप्सी |
| (3) थम्सअप | (4) मिरांडा |

Options :

920906113405. 1
920906113406. 2
920906113407. 3
920906113408. 4

Question Number : 52 Question Id : 92090628696 Question Type : MCQ Option Shuffling : No Is Question Mandatory : No Calculator : None Response Time : N.A Think Time : N.A Minimum Instruction Time : 0

Correct Marks : 4 Wrong Marks : 1

'ये दिल माँगे मोर' स्लोगन किस उत्पाद के लिए प्रयुक्त हुआ है ?

- | | |
|--------------|-------------|
| (1) कोकाकोला | (2) पेप्सी |
| (3) थम्सअप | (4) मिरांडा |

Options :

920906113405. 1
920906113406. 2
920906113407. 3
920906113408. 4

Question Number : 53 Question Id : 92090628697 Question Type : MCQ Option Shuffling : No Is Question Mandatory : No Calculator : None Response Time : N.A Think Time : N.A Minimum Instruction Time : 0

Correct Marks : 4 Wrong Marks : 1

आकाशवाणी के लिए मनोरंजनपरक हिंदी गीतों का कार्यक्रम 'विविध भारती' का नामकरण किसने किया?

- | | |
|----------------------|-----------------------|
| (1) सुमित्रानंदन पंत | (2) विष्णु प्रभाकर |
| (3) रघुवीर सहाय | (4) पं. नरेंद्र शर्मा |

Options :

920906113409. 1
920906113410. 2
920906113411. 3
920906113412. 4

Question Number : 53 Question Id : 92090628697 Question Type : MCQ Option Shuffling : No Is Question Mandatory : No Calculator : None Response Time : N.A Think Time : N.A Minimum Instruction Time : 0

Correct Marks : 4 Wrong Marks : 1

आकाशवाणी के लिए मनोरंजनपरक हिंदी गीतों का कार्यक्रम 'विविध भारती' का नामकरण किसने किया?

- | | |
|----------------------|-----------------------|
| (1) सुमित्रानंदन पंत | (2) विष्णु प्रभाकर |
| (3) रघुवीर सहाय | (4) पं. नरेंद्र शर्मा |

Options :

920906113409. 1
920906113410. 2
920906113411. 3
920906113412. 4

Question Number : 54 Question Id : 92090628698 Question Type : MCQ Option Shuffling : No Is Question Mandatory : No Calculator : None Response Time : N.A Think Time : N.A Minimum Instruction Time : 0

Correct Marks : 4 Wrong Marks : 1

दूरदर्शन से 1994 में प्रसारित 'चंद्रकांता' पर आधारित धारावाहिक की पटकथा/संवाद किसने लिखे थे?

- | | |
|---------------------|-----------------|
| (1) मनोहरश्याम जोशी | (2) कमलेश्वर |
| (3) असगर वजाहत | (4) अशोक चक्रधर |

Options :

920906113413. 1
920906113414. 2

920906113415. 3

920906113416. 4

Question Number : 54 Question Id : 92090628698 Question Type : MCQ Option Shuffling : No Is Question Mandatory : No Calculator : None Response Time : N.A Think Time : N.A Minimum Instruction Time : 0

Correct Marks : 4 Wrong Marks : 1

दूरदर्शन से 1994 में प्रसारित 'चंद्रकांता' पर आधारित धारावाहिक की पटकथा/संवाद किसने लिखे थे?

(1) मनोहरश्याम जोशी

(2) कमलेश्वर

(3) असगर वजाहत

(4) अशोक चक्रधर

Options :

920906113413. 1

920906113414. 2

920906113415. 3

920906113416. 4

Question Number : 55 Question Id : 92090628699 Question Type : MCQ Option Shuffling : No Is Question Mandatory : No Calculator : None Response Time : N.A Think Time : N.A Minimum Instruction Time : 0

Correct Marks : 4 Wrong Marks : 1

'शब्दानुशासन' के लेखक हैं -

(1) हेमचंद्र

(2) जयदेव

(3) भामह

(4) दंडी

Options :

920906113417. 1

920906113418. 2

920906113419. 3

920906113420. 4

Question Number : 55 Question Id : 92090628699 Question Type : MCQ Option Shuffling : No Is Question Mandatory : No Calculator : None Response Time : N.A Think Time : N.A Minimum Instruction Time : 0

Correct Marks : 4 Wrong Marks : 1

'शब्दानुशासन' के लेखक हैं -

(1) हेमचंद्र

(2) जयदेव

(3) भामह

(4) दंडी

Options :

920906113417. 1
920906113418. 2
920906113419. 3
920906113420. 4

Question Number : 56 Question Id : 92090628700 Question Type : MCQ Option Shuffling : No Is Question Mandatory : No Calculator : None Response Time : N.A Think Time : N.A Minimum Instruction Time : 0

Correct Marks : 4 Wrong Marks : 1

शक्ति, व्युत्पत्ति और अभ्यास किसके प्रकार हैं?

- (1) काव्य-लक्षण (2) काव्य-प्रकार
(3) काव्य-प्रयोजन (4) काव्य-हेतु

Options :

920906113421. 1
920906113422. 2
920906113423. 3
920906113424. 4

Question Number : 56 Question Id : 92090628700 Question Type : MCQ Option Shuffling : No Is Question Mandatory : No Calculator : None Response Time : N.A Think Time : N.A Minimum Instruction Time : 0

Correct Marks : 4 Wrong Marks : 1

शक्ति, व्युत्पत्ति और अभ्यास किसके प्रकार हैं?

- (1) काव्य-लक्षण (2) काव्य-प्रकार
(3) काव्य-प्रयोजन (4) काव्य-हेतु

Options :

920906113421. 1
920906113422. 2
920906113423. 3
920906113424. 4

Question Number : 57 Question Id : 92090628701 Question Type : MCQ Option Shuffling : No Is Question Mandatory : No Calculator : None Response Time : N.A Think Time : N.A Minimum Instruction Time : 0

Correct Marks : 4 Wrong Marks : 1

काव्य-हेतु के संबंध में 'प्रज्ञा नवनवोन्मेषशालिनी प्रतिभा मता' कथन किसका है?

- | | |
|-------------|----------------|
| (1) राजशेखर | (2) क्षेमेंद्र |
| (3) वामन | (4) भट्टतौत |

Options :

920906113425. 1
920906113426. 2
920906113427. 3
920906113428. 4

Question Number : 57 Question Id : 92090628701 Question Type : MCQ Option Shuffling : No Is Question Mandatory : No Calculator : None Response Time : N.A Think Time : N.A Minimum Instruction Time : 0

Correct Marks : 4 Wrong Marks : 1

काव्य-हेतु के संबंध में 'प्रज्ञा नवनवोन्मेषशालिनी प्रतिभा मता' कथन किसका है?

- | | |
|-------------|----------------|
| (1) राजशेखर | (2) क्षेमेंद्र |
| (3) वामन | (4) भट्टतौत |

Options :

920906113425. 1
920906113426. 2
920906113427. 3
920906113428. 4

Question Number : 58 Question Id : 92090628702 Question Type : MCQ Option Shuffling : No Is Question Mandatory : No Calculator : None Response Time : N.A Think Time : N.A Minimum Instruction Time : 0

Correct Marks : 4 Wrong Marks : 1

'गाँव में गंगा' कथन शब्दशक्ति के किस प्रकार का उदाहरण है?

- | | |
|------------------|-----------------------|
| (1) रूढ़ा लक्षणा | (2) प्रयोजनवती लक्षणा |
| (3) अभिधा | (4) व्यंजना |

Options :

920906113429. 1
920906113430. 2
920906113431. 3
920906113432. 4

Question Number : 58 Question Id : 92090628702 Question Type : MCQ Option Shuffling : No Is Question Mandatory : No Calculator : None Response Time : N.A Think Time : N.A Minimum Instruction Time : 0

Correct Marks : 4 Wrong Marks : 1

‘गाँव में गंगा’ कथन शब्दशक्ति के किस प्रकार का उदाहरण है?

- | | |
|------------------|-----------------------|
| (1) रूढ़ा लक्षणा | (2) प्रयोजनवती लक्षणा |
| (3) अभिधा | (4) व्यंजना |

Options :

920906113429. 1
920906113430. 2
920906113431. 3
920906113432. 4

Question Number : 59 Question Id : 92090628703 Question Type : MCQ Option Shuffling : No Is Question Mandatory : No Calculator : None Response Time : N.A Think Time : N.A Minimum Instruction Time : 0

Correct Marks : 4 Wrong Marks : 1

“रमणीय अनुभूति, उक्तिवैचित्र्य और छंद इन तीनों का समंजित रूप ही कविता है।” यह कथन किसका है?

- | | |
|--------------------|----------------------------|
| (1) डॉ. नगेंद्र | (2) महावीर प्रसाद द्विवेदी |
| (3) रामचंद्र शुक्ल | (4) जयशंकर प्रसाद |

Options :

920906113433. 1
920906113434. 2
920906113435. 3
920906113436. 4

Question Number : 59 Question Id : 92090628703 Question Type : MCQ Option Shuffling : No Is Question Mandatory : No Calculator : None Response Time : N.A Think Time : N.A Minimum Instruction Time : 0

Correct Marks : 4 Wrong Marks : 1

“रमणीय अनुभूति, उक्तिवैचित्र्य और छंद इन तीनों का समंजित रूप ही कविता है।” यह कथन किसका है?

- | | |
|--------------------|----------------------------|
| (1) डॉ. नगेंद्र | (2) महावीर प्रसाद द्विवेदी |
| (3) रामचंद्र शुक्ल | (4) जयशंकर प्रसाद |

Options :

920906113433. 1
920906113434. 2

920906113435. 3

920906113436. 4

Question Number : 60 Question Id : 92090628704 Question Type : MCQ Option Shuffling : No Is Question Mandatory : No Calculator : None Response Time : N.A Think Time : N.A Minimum Instruction Time : 0

Correct Marks : 4 Wrong Marks : 1

‘औचित्य सिद्धांत’ के प्रवर्तक हैं -

- | | |
|-----------------|----------|
| (1) मम्मट | (2) दंडी |
| (3) क्षेमेन्द्र | (4) भामह |

Options :

920906113437. 1

920906113438. 2

920906113439. 3

920906113440. 4

Question Number : 60 Question Id : 92090628704 Question Type : MCQ Option Shuffling : No Is Question Mandatory : No Calculator : None Response Time : N.A Think Time : N.A Minimum Instruction Time : 0

Correct Marks : 4 Wrong Marks : 1

‘औचित्य सिद्धांत’ के प्रवर्तक हैं -

- | | |
|-----------------|----------|
| (1) मम्मट | (2) दंडी |
| (3) क्षेमेन्द्र | (4) भामह |

Options :

920906113437. 1

920906113438. 2

920906113439. 3

920906113440. 4

Question Number : 61 Question Id : 92090628705 Question Type : MCQ Option Shuffling : No Is Question Mandatory : No Calculator : None Response Time : N.A Think Time : N.A Minimum Instruction Time : 0

Correct Marks : 4 Wrong Marks : 1

निम्नलिखित में कौन-सा काव्य-प्रयोजन नहीं है?

- | | |
|-------------------|-----------------------|
| (1) अर्थ-प्राप्ति | (2) कांतासम्मित उपदेश |
| (3) शिवेतर का नाश | (4) अभ्यास |

Options :

- 920906113441. 1
- 920906113442. 2
- 920906113443. 3
- 920906113444. 4

Question Number : 61 Question Id : 92090628705 Question Type : MCQ Option Shuffling : No Is Question Mandatory : No Calculator : None Response Time : N.A Think Time : N.A Minimum Instruction Time : 0

Correct Marks : 4 Wrong Marks : 1

निम्नलिखित में कौन-सा काव्य-प्रयोजन नहीं है?

- (1) अर्थ-प्राप्ति
- (2) कांतासम्मित उपदेश
- (3) शिवेतर का नाश
- (4) अभ्यास

Options :

- 920906113441. 1
- 920906113442. 2
- 920906113443. 3
- 920906113444. 4

Question Number : 62 Question Id : 92090628706 Question Type : MCQ Option Shuffling : No Is Question Mandatory : No Calculator : None Response Time : N.A Think Time : N.A Minimum Instruction Time : 0

Correct Marks : 4 Wrong Marks : 1

निम्नलिखित में से कौन सा वाक्य शुद्ध है?

- (1) बंदूक एक बहुत ही उपयोगी अस्त्र है।
- (2) एक बंदूक बहुत ही उपयोगी अस्त्र है।
- (3) बंदूक अस्त्र एक बहुत ही उपयोगी है।
- (4) एक बहुत ही उपयोगी अस्त्र बंदूक है।

Options :

- 920906113445. 1
- 920906113446. 2
- 920906113447. 3
- 920906113448. 4

Question Number : 62 Question Id : 92090628706 Question Type : MCQ Option Shuffling : No Is Question Mandatory : No Calculator : None Response Time : N.A Think Time : N.A Minimum Instruction Time : 0

Correct Marks : 4 Wrong Marks : 1

निम्नलिखित में से कौन सा वाक्य शुद्ध है?

- (1) बंदूक एक बहुत ही उपयोगी अस्त्र है। (2) एक बंदूक बहुत ही उपयोगी अस्त्र है।
(3) बंदूक अस्त्र एक बहुत ही उपयोगी है। (4) एक बहुत ही उपयोगी अस्त्र बंदूक है।

Options :

920906113445. 1
920906113446. 2
920906113447. 3
920906113448. 4

Question Number : 63 Question Id : 92090628707 Question Type : MCQ Option Shuffling : No Is Question Mandatory : No Calculator : None Response Time : N.A Think Time : N.A Minimum Instruction Time : 0

Correct Marks : 4 Wrong Marks : 1

‘भविष्यत् काल’ के कितने भेद हैं?

- (1) दो (2) तीन
(3) चार (4) पाँच

Options :

920906113449. 1
920906113450. 2
920906113451. 3
920906113452. 4

Question Number : 63 Question Id : 92090628707 Question Type : MCQ Option Shuffling : No Is Question Mandatory : No Calculator : None Response Time : N.A Think Time : N.A Minimum Instruction Time : 0

Correct Marks : 4 Wrong Marks : 1

‘भविष्यत् काल’ के कितने भेद हैं?

- (1) दो (2) तीन
(3) चार (4) पाँच

Options :

920906113449. 1
920906113450. 2
920906113451. 3
920906113452. 4

Question Number : 64 Question Id : 92090628708 Question Type : MCQ Option Shuffling : No Is Question Mandatory : No Calculator : None Response Time : N.A Think Time : N.A Minimum

Instruction Time : 0

Correct Marks : 4 Wrong Marks : 1

जिस समास में पहला शब्द प्रधान होता है और समूचा शब्द क्रिया विशेषण अव्यय होता है, उसे क्या कहा जाता है?

- | | |
|-------------------|---------------------|
| (1) तत्पुरुष समास | (2) बहुव्रीहि समास |
| (3) कर्मधारय समास | (4) अव्ययी भाव समास |

Options :

920906113453. 1
920906113454. 2
920906113455. 3
920906113456. 4

Question Number : 64 Question Id : 92090628708 Question Type : MCQ Option Shuffling : No Is Question Mandatory : No Calculator : None Response Time : N.A Think Time : N.A Minimum Instruction Time : 0

Correct Marks : 4 Wrong Marks : 1

जिस समास में पहला शब्द प्रधान होता है और समूचा शब्द क्रिया विशेषण अव्यय होता है, उसे क्या कहा जाता है?

- | | |
|-------------------|---------------------|
| (1) तत्पुरुष समास | (2) बहुव्रीहि समास |
| (3) कर्मधारय समास | (4) अव्ययी भाव समास |

Options :

920906113453. 1
920906113454. 2
920906113455. 3
920906113456. 4

Question Number : 65 Question Id : 92090628709 Question Type : MCQ Option Shuffling : No Is Question Mandatory : No Calculator : None Response Time : N.A Think Time : N.A Minimum Instruction Time : 0

Correct Marks : 4 Wrong Marks : 1

‘विशाल भारत’ में प्रकाशित ‘भारत में प्रगतिशील साहित्य की आवश्यकता’ निबंध किसका है?

- | | |
|------------------------|-----------------------|
| (1) नन्ददुलारे वाजपेयी | (2) शिवदान सिंह चौहान |
| (3) रामविलास शर्मा | (4) प्रकाशचंद्र गुप्त |

Options :

920906113457. 1
920906113458. 2

920906113459. 3

920906113460. 4

Question Number : 65 Question Id : 92090628709 Question Type : MCQ Option Shuffling : No Is Question Mandatory : No Calculator : None Response Time : N.A Think Time : N.A Minimum Instruction Time : 0

Correct Marks : 4 Wrong Marks : 1

‘विशाल भारत’ में प्रकाशित ‘भारत में प्रगतिशील साहित्य की आवश्यकता’ निबंध किसका है?

- | | |
|------------------------|-----------------------|
| (1) नन्ददुलारे वाजपेयी | (2) शिवदान सिंह चौहान |
| (3) रामविलास शर्मा | (4) प्रकाशचंद्र गुप्त |

Options :

920906113457. 1

920906113458. 2

920906113459. 3

920906113460. 4

Question Number : 66 Question Id : 92090628710 Question Type : MCQ Option Shuffling : No Is Question Mandatory : No Calculator : None Response Time : N.A Think Time : N.A Minimum Instruction Time : 0

Correct Marks : 4 Wrong Marks : 1

नीचे दो कथन दिए गए हैं : एक अभिकथन (Assertion A) के रूप में लिखित है तो दूसरा उसके कारण (Reason R) के रूप में :

अभिकथन (A) : छायावादी कवियों ने प्रकृति का आलंबन रूप में प्रयोग किया है।

कारण (R) : छायावादी कवियों ने प्रकृति का मानवीकरण किया है।

उपरोक्त कथन के आलोक में, नीचे दिए गए विकल्पों में से सबसे उपयुक्त उत्तर का चयन कीजिए :

- (1) (A) और (R) दोनों सही हैं और (R), (A) की सही व्याख्या है
- (2) (A) और (R) दोनों सही हैं, लेकिन (R), (A) की सही व्याख्या नहीं है
- (3) (A) सही है लेकिन (R) सही नहीं है
- (4) (A) सही नहीं है लेकिन (R) सही है

Options :

920906113461. 1

920906113462. 2

920906113463. 3

920906113464. 4

Question Number : 66 Question Id : 92090628710 Question Type : MCQ Option Shuffling : No Is Question Mandatory : No Calculator : None Response Time : N.A Think Time : N.A Minimum Instruction Time : 0

Correct Marks : 4 Wrong Marks : 1

नीचे दो कथन दिए गए हैं : एक अभिकथन (Assertion A) के रूप में लिखित है तो दूसरा उसके कारण (Reason R) के रूप में :

अभिकथन (A) : छायावादी कवियों ने प्रकृति का आलंबन रूप में प्रयोग किया है।

कारण (R) : छायावादी कवियों ने प्रकृति का मानवीकरण किया है।

उपरोक्त कथन के आलोक में, नीचे दिए गए विकल्पों में से सबसे उपयुक्त उत्तर का चयन कीजिए :

- (1) (A) और (R) दोनों सही हैं और (R), (A) की सही व्याख्या है
- (2) (A) और (R) दोनों सही हैं, लेकिन (R), (A) की सही व्याख्या नहीं है
- (3) (A) सही है लेकिन (R) सही नहीं है
- (4) (A) सही नहीं है लेकिन (R) सही है

Options :

920906113461. 1

920906113462. 2

920906113463. 3

920906113464. 4

Question Number : 67 Question Id : 92090628711 Question Type : MCQ Option Shuffling : No Is Question Mandatory : No Calculator : None Response Time : N.A Think Time : N.A Minimum Instruction Time : 0

Correct Marks : 4 Wrong Marks : 1

नीचे दो कथन दिए गए हैं : एक अभिकथन (Assertion A) के रूप में लिखित है तो दूसरा उसके कारण (Reason R) के रूप में :

अभिकथन (A) : कबीर के प्रेम का जो आदर्श है, वह कविवर रवींद्रनाथ के प्रेमलीला के आदर्श से मिलता-सा है।

कारण (R) : कबीर की प्रेम संबंधी कविताओं में समर्पण की भावना का अभाव है।

उपरोक्त कथन के आलोक में, नीचे दिए गए विकल्पों में से सबसे उपयुक्त उत्तर का चयन कीजिए :

- (1) (A) और (R) दोनों सही हैं और (R), (A) की सही व्याख्या है
- (2) (A) और (R) दोनों सही हैं, लेकिन (R), (A) की सही व्याख्या नहीं है
- (3) (A) सही है लेकिन (R) सही नहीं है
- (4) (A) सही नहीं है लेकिन (R) सही है

Options :

920906113465. 1
920906113466. 2
920906113467. 3
920906113468. 4

Question Number : 67 Question Id : 92090628711 Question Type : MCQ Option Shuffling : No Is Question Mandatory : No Calculator : None Response Time : N.A Think Time : N.A Minimum Instruction Time : 0

Correct Marks : 4 Wrong Marks : 1

नीचे दो कथन दिए गए हैं : एक अभिकथन (Assertion A) के रूप में लिखित है तो दूसरा उसके कारण (Reason R) के रूप में :

अभिकथन (A) : कबीर के प्रेम का जो आदर्श है, वह कविवर रवींद्रनाथ के प्रेमलीला के आदर्श से मिलता-सा है।

कारण (R) : कबीर की प्रेम संबंधी कविताओं में समर्पण की भावना का अभाव है।

उपरोक्त कथन के आलोक में, नीचे दिए गए विकल्पों में से सबसे उपयुक्त उत्तर का चयन कीजिए :

- (1) (A) और (R) दोनों सही हैं और (R), (A) की सही व्याख्या है
- (2) (A) और (R) दोनों सही हैं, लेकिन (R), (A) की सही व्याख्या नहीं है
- (3) (A) सही है लेकिन (R) सही नहीं है
- (4) (A) सही नहीं है लेकिन (R) सही है

Options :

920906113465. 1
920906113466. 2
920906113467. 3
920906113468. 4

Question Number : 68 Question Id : 92090628712 Question Type : MCQ Option Shuffling : No Is Question Mandatory : No Calculator : None Response Time : N.A Think Time : N.A Minimum Instruction Time : 0

Correct Marks : 4 Wrong Marks : 1

नीचे दो कथन दिए गए हैं : एक अभिकथन (Assertion A) के रूप में लिखित है तो दूसरा उसके कारण (Reason R) के रूप में :

अभिकथन (A) : 'प्रहसन' के माध्यम से सामाजिक-राजनीतिक विडंबनापूर्ण स्थिति पर व्यंग्य किया जाता है।

कारण (R) : राजनीतिक सत्ता और सामाजिक व्यवस्था के यथार्थ को प्रहसन में व्यंग्यात्मक रूप में प्रस्तुत किया जाता है।

उपरोक्त कथन के आलोक में, नीचे दिए गए विकल्पों में से सबसे उपयुक्त उत्तर का चयन कीजिए :

- (1) (A) और (R) दोनों सही हैं और (R), (A) की सही व्याख्या है
- (2) (A) और (R) दोनों सही हैं, लेकिन (R), (A) की सही व्याख्या नहीं है
- (3) (A) सही है लेकिन (R) सही नहीं है
- (4) (A) सही नहीं है लेकिन (R) सही है

Options :

920906113469. 1
920906113470. 2
920906113471. 3
920906113472. 4

Question Number : 68 Question Id : 92090628712 Question Type : MCQ Option Shuffling : No Is Question Mandatory : No Calculator : None Response Time : N.A Think Time : N.A Minimum Instruction Time : 0

Correct Marks : 4 Wrong Marks : 1

नीचे दो कथन दिए गए हैं : एक अभिकथन (Assertion A) के रूप में लिखित है तो दूसरा उसके कारण (Reason R) के रूप में :

अभिकथन (A) : 'प्रहसन' के माध्यम से सामाजिक-राजनीतिक विडंबनापूर्ण स्थिति पर व्यंग्य किया जाता है।

कारण (R) : राजनीतिक सत्ता और सामाजिक व्यवस्था के यथार्थ को प्रहसन में व्यंग्यात्मक रूप में प्रस्तुत किया जाता है।

उपरोक्त कथन के आलोक में, नीचे दिए गए विकल्पों में से सबसे उपयुक्त उत्तर का चयन कीजिए :

- (1) (A) और (R) दोनों सही हैं और (R), (A) की सही व्याख्या है
- (2) (A) और (R) दोनों सही हैं, लेकिन (R), (A) की सही व्याख्या नहीं है
- (3) (A) सही है लेकिन (R) सही नहीं है
- (4) (A) सही नहीं है लेकिन (R) सही है

Options :

920906113469. 1
920906113470. 2
920906113471. 3
920906113472. 4

Question Number : 69 Question Id : 92090628713 Question Type : MCQ Option Shuffling : No Is Question Mandatory : No Calculator : None Response Time : N.A Think Time : N.A Minimum Instruction Time : 0

Correct Marks : 4 Wrong Marks : 1

नीचे दो कथन दिए गए हैं : एक अभिकथन (Assertion A) के रूप में लिखित है तो दूसरा उसके कारण (Reason R) के रूप में :

अभिकथन (A) : भाषा के साहित्यिक तथा प्रयोजनमूलक दोनों रूपों में संवाद को विशेष स्थान प्राप्त है।

कारण (R) : संवाद मनुष्य के विचारों तथा भावों के आदान-प्रदान की वस्तु है।

उपरोक्त कथन के आलोक में, नीचे दिए गए विकल्पों में से सबसे उपयुक्त उत्तर का चयन कीजिए :

- (1) (A) और (R) दोनों सही हैं और (R), (A) की सही व्याख्या है
- (2) (A) और (R) दोनों सही हैं, लेकिन (R), (A) की सही व्याख्या नहीं है
- (3) (A) सही है लेकिन (R) सही नहीं है
- (4) (A) सही नहीं है लेकिन (R) सही है

Options :

920906113473. 1

920906113474. 2

920906113475. 3

920906113476. 4

Question Number : 69 Question Id : 92090628713 Question Type : MCQ Option Shuffling : No Is Question Mandatory : No Calculator : None Response Time : N.A Think Time : N.A Minimum Instruction Time : 0

Correct Marks : 4 Wrong Marks : 1

नीचे दो कथन दिए गए हैं : एक अभिकथन (Assertion A) के रूप में लिखित है तो दूसरा उसके कारण (Reason R) के रूप में :

अभिकथन (A) : भाषा के साहित्यिक तथा प्रयोजनमूलक दोनों रूपों में संवाद को विशेष स्थान प्राप्त है।

कारण (R) : संवाद मनुष्य के विचारों तथा भावों के आदान-प्रदान की वस्तु है।

उपरोक्त कथन के आलोक में, नीचे दिए गए विकल्पों में से सबसे उपयुक्त उत्तर का चयन कीजिए :

- (1) (A) और (R) दोनों सही हैं और (R), (A) की सही व्याख्या है
- (2) (A) और (R) दोनों सही हैं, लेकिन (R), (A) की सही व्याख्या नहीं है
- (3) (A) सही है लेकिन (R) सही नहीं है
- (4) (A) सही नहीं है लेकिन (R) सही है

Options :

920906113473. 1

920906113474. 2

920906113475. 3

920906113476. 4

Question Number : 70 Question Id : 92090628714 Question Type : MCQ Option Shuffling : No Is Question Mandatory : No Calculator : None Response Time : N.A Think Time : N.A Minimum Instruction Time : 0

Correct Marks : 4 Wrong Marks : 1

नीचे दो कथन दिए गए हैं : एक अभिकथन (Assertion A) के रूप में लिखित है तो दूसरा उसके कारण (Reason R) के रूप में :

अभिकथन (A) : सामाजिक उपन्यासों के लिए यथार्थपरक चित्रण की आवश्यकता होती है।

कारण (R) : प्रेमचन्द ने अपने उपन्यासों को मानव-जीवन का यथार्थ चित्रण कहा है।

उपरोक्त कथन के आलोक में, नीचे दिए गए विकल्पों में से सही उत्तर का चयन कीजिए :

- (1) (A) और (R) दोनों सत्य हैं और (R), (A) की सही व्याख्या है
- (2) (A) और (R) दोनों सत्य हैं, लेकिन (R), (A) की सही व्याख्या नहीं है
- (3) (A) सत्य है लेकिन (R) असत्य है
- (4) (A) असत्य है लेकिन (R) सत्य है

Options :

920906113477. 1

920906113478. 2

920906113479. 3

920906113480. 4

Question Number : 70 Question Id : 92090628714 Question Type : MCQ Option Shuffling : No Is Question Mandatory : No Calculator : None Response Time : N.A Think Time : N.A Minimum Instruction Time : 0

Correct Marks : 4 Wrong Marks : 1

नीचे दो कथन दिए गए हैं : एक अभिकथन (Assertion A) के रूप में लिखित है तो दूसरा उसके कारण (Reason R) के रूप में :

अभिकथन (A) : सामाजिक उपन्यासों के लिए यथार्थपरक चित्रण की आवश्यकता होती है।

कारण (R) : प्रेमचन्द ने अपने उपन्यासों को मानव-जीवन का यथार्थ चित्रण कहा है।

उपरोक्त कथन के आलोक में, नीचे दिए गए विकल्पों में से सही उत्तर का चयन कीजिए :

- (1) (A) और (R) दोनों सत्य हैं और (R), (A) की सही व्याख्या है
- (2) (A) और (R) दोनों सत्य हैं, लेकिन (R), (A) की सही व्याख्या नहीं है
- (3) (A) सत्य है लेकिन (R) असत्य है
- (4) (A) असत्य है लेकिन (R) सत्य है

Options :

920906113477. 1

920906113478. 2

920906113479. 3

920906113480. 4

Question Number : 71 Question Id : 92090628715 Question Type : MCQ Option Shuffling : No Is Question Mandatory : No Calculator : None Response Time : N.A Think Time : N.A Minimum Instruction Time : 0

Correct Marks : 4 Wrong Marks : 1

नीचे दो कथन दिए गए हैं : एक अभिकथन (Assertion A) के रूप में लिखित है तो दूसरा उसके कारण (Reason R) के रूप में :

अभिकथन (A) : काव्य-लेखन के मूल में अनुभूति मुख्य है।

कारण (R) : प्रसाद के अनुसार काव्य आत्मा की संकल्पात्मक अनुभूति है।

उपरोक्त कथन के आलोक में, नीचे दिए गए विकल्पों में से सबसे उपयुक्त उत्तर का चयन कीजिए :

- (1) (A) और (R) दोनों सही हैं और (R), (A) की सही व्याख्या है
- (2) (A) और (R) दोनों सही हैं, लेकिन (R), (A) की सही व्याख्या नहीं है
- (3) (A) सही है लेकिन (R) सही नहीं है
- (4) (A) सही नहीं है लेकिन (R) सही है

Options :

920906113481. 1
920906113482. 2
920906113483. 3
920906113484. 4

Question Number : 71 Question Id : 92090628715 Question Type : MCQ Option Shuffling : No Is Question Mandatory : No Calculator : None Response Time : N.A Think Time : N.A Minimum Instruction Time : 0 Correct Marks : 4 Wrong Marks : 1

नीचे दो कथन दिए गए हैं : एक अभिकथन (Assertion A) के रूप में लिखित है तो दूसरा उसके कारण (Reason R) के रूप में :

अभिकथन (A) : काव्य-लेखन के मूल में अनुभूति मुख्य है।

कारण (R) : प्रसाद के अनुसार काव्य आत्मा की संकल्पात्मक अनुभूति है।

उपरोक्त कथन के आलोक में, नीचे दिए गए विकल्पों में से सबसे उपयुक्त उत्तर का चयन कीजिए :

- (1) (A) और (R) दोनों सही हैं और (R), (A) की सही व्याख्या है
- (2) (A) और (R) दोनों सही हैं, लेकिन (R), (A) की सही व्याख्या नहीं है
- (3) (A) सही है लेकिन (R) सही नहीं है
- (4) (A) सही नहीं है लेकिन (R) सही है

Options :

920906113481. 1
920906113482. 2
920906113483. 3
920906113484. 4

Question Number : 72 Question Id : 92090628716 Question Type : MCQ Option Shuffling : No Is Question Mandatory : No Calculator : None Response Time : N.A Think Time : N.A Minimum Instruction Time : 0

Correct Marks : 4 Wrong Marks : 1

नीचे दो कथन दिए गए हैं : एक अभिकथन (Assertion A) के रूप में लिखित है तो दूसरा उसके कारण (Reason R) के रूप में :

अभिकथन (A) : सामाजिक आचार-विचार की शिक्षा, लोकोपदेश और लोकरंजन साहित्य के मुख्य उद्देश्य हैं।

कारण (R) : नाट्य (काव्य) धर्म, यश और आयु का साधक, हितकारक, बुद्धि का वर्द्धक तथा लोकोपदेशक होता है।

उपरोक्त कथन के आलोक में, नीचे दिए गए विकल्पों में से सबसे उपयुक्त उत्तर का चयन कीजिए :

- (1) (A) और (R) दोनों सत्य हैं और (R), (A) की सही व्याख्या है
- (2) (A) और (R) दोनों सत्य हैं, लेकिन (R), (A) की सही व्याख्या नहीं है
- (3) (A) सत्य है लेकिन (R) असत्य है
- (4) (A) असत्य है लेकिन (R) सत्य है

Options :

920906113485. 1
920906113486. 2
920906113487. 3
920906113488. 4

Question Number : 72 Question Id : 92090628716 Question Type : MCQ Option Shuffling : No Is Question Mandatory : No Calculator : None Response Time : N.A Think Time : N.A Minimum Instruction Time : 0

Correct Marks : 4 Wrong Marks : 1

नीचे दो कथन दिए गए हैं : एक अभिकथन (Assertion A) के रूप में लिखित है तो दूसरा उसके कारण (Reason R) के रूप में :

अभिकथन (A) : सामाजिक आचार-विचार की शिक्षा, लोकोपदेश और लोकरंजन साहित्य के मुख्य उद्देश्य हैं।

कारण (R) : नाट्य (काव्य) धर्म, यश और आयु का साधक, हितकारक, बुद्धि का वर्द्धक तथा लोकोपदेशक होता है।

उपरोक्त कथन के आलोक में, नीचे दिए गए विकल्पों में से सबसे उपयुक्त उत्तर का चयन कीजिए :

- (1) (A) और (R) दोनों सत्य हैं और (R), (A) की सही व्याख्या है
- (2) (A) और (R) दोनों सत्य हैं, लेकिन (R), (A) की सही व्याख्या नहीं है
- (3) (A) सत्य है लेकिन (R) असत्य है
- (4) (A) असत्य है लेकिन (R) सत्य है

Options :

920906113485. 1
920906113486. 2
920906113487. 3
920906113488. 4

Question Number : 73 Question Id : 92090628717 Question Type : MCQ Option Shuffling : No Is Question Mandatory : No Calculator : None Response Time : N.A Think Time : N.A Minimum Instruction Time : 0

Correct Marks : 4 Wrong Marks : 1

जन्मतिथि के अनुसार निम्नलिखित नाटककारों का सही अनुक्रम है -

- (A) प्रताप नारायण मिश्र
- (B) भारतेन्दु हरिश्चन्द्र
- (C) लाला श्रीनिवासदास
- (D) बालकृष्ण भट्ट
- (E) बदरीनारायण चौधरी 'प्रेमघन'

नीचे दिए गए विकल्पों में से सही उत्तर का चयन कीजिए :

- (1) (A), (C), (D), (E), (B)
- (2) (D), (B), (C), (E), (A)
- (3) (B), (D), (C), (E), (A)
- (4) (D), (E), (C), (A), (B)

Options :

- 920906113489. 1
- 920906113490. 2
- 920906113491. 3
- 920906113492. 4

Question Number : 73 Question Id : 92090628717 Question Type : MCQ Option Shuffling : No Is Question Mandatory : No Calculator : None Response Time : N.A Think Time : N.A Minimum Instruction Time : 0

Correct Marks : 4 Wrong Marks : 1

जन्मतिथि के अनुसार निम्नलिखित नाटककारों का सही अनुक्रम है -

- (A) प्रताप नारायण मिश्र
- (B) भारतेन्दु हरिश्चन्द्र
- (C) लाला श्रीनिवासदास
- (D) बालकृष्ण भट्ट
- (E) बदरीनारायण चौधरी 'प्रेमघन'

नीचे दिए गए विकल्पों में से सही उत्तर का चयन कीजिए :

- (1) (A), (C), (D), (E), (B)
- (2) (D), (B), (C), (E), (A)
- (3) (B), (D), (C), (E), (A)
- (4) (D), (E), (C), (A), (B)

Options :

- 920906113489. 1
- 920906113490. 2
- 920906113491. 3
- 920906113492. 4

Question Number : 74 Question Id : 92090628718 Question Type : MCQ Option Shuffling : No Is Question Mandatory : No Calculator : None Response Time : N.A Think Time : N.A Minimum Instruction Time : 0

Correct Marks : 4 Wrong Marks : 1

निम्नलिखित उपन्यासकारों का जन्मतिथि के अनुसार सही क्रम बताएँ।

- (A) देवकीनंदन खत्री
- (B) प्रेमचन्द
- (C) जैनेन्द्र
- (D) जयशंकर प्रसाद
- (E) अज्ञेय

नीचे दिए गए विकल्पों में से सही उत्तर का चयन कीजिए :

- (1) (E), (D), (B), (C), (A)
- (2) (A), (C), (D), (B), (E)
- (3) (A), (B), (D), (C), (E)
- (4) (B), (A), (D), (C), (E)

Options :

- 920906113493. 1
- 920906113494. 2
- 920906113495. 3
- 920906113496. 4

Question Number : 74 Question Id : 92090628718 Question Type : MCQ Option Shuffling : No Is Question Mandatory : No Calculator : None Response Time : N.A Think Time : N.A Minimum Instruction Time : 0

Correct Marks : 4 Wrong Marks : 1

निम्नलिखित उपन्यासकारों का जन्मतिथि के अनुसार सही क्रम बताएँ।

- (A) देवकीनंदन खत्री
- (B) प्रेमचन्द
- (C) जैनेन्द्र
- (D) जयशंकर प्रसाद
- (E) अज्ञेय

नीचे दिए गए विकल्पों में से सही उत्तर का चयन कीजिए :

- (1) (E), (D), (B), (C), (A)
- (2) (A), (C), (D), (B), (E)
- (3) (A), (B), (D), (C), (E)
- (4) (B), (A), (D), (C), (E)

Options :

- 920906113493. 1
- 920906113494. 2
- 920906113495. 3
- 920906113496. 4

Question Number : 75 Question Id : 92090628719 Question Type : MCQ Option Shuffling : No Is Question Mandatory : No Calculator : None Response Time : N.A Think Time : N.A Minimum Instruction Time : 0

Correct Marks : 4 Wrong Marks : 1

प्रकाशन वर्ष की दृष्टि से निम्नलिखित उपन्यासों का सही अनुक्रम है -

- (A) एक चूहे की मौत
- (B) तमस
- (C) राग दरबारी
- (D) महाभोज
- (E) अपना मोर्चा

नीचे दिए गए विकल्पों में से सही उत्तर का चयन कीजिए :

- (1) (B), (C), (E), (A), (D)
- (2) (C), (E), (A), (B), (D)
- (3) (C), (A), (E), (B), (D)
- (4) (A), (C), (B), (D), (E)

Options :

- 920906113497. 1
- 920906113498. 2
- 920906113499. 3
- 920906113500. 4

Question Number : 75 Question Id : 92090628719 Question Type : MCQ Option Shuffling : No Is Question Mandatory : No Calculator : None Response Time : N.A Think Time : N.A Minimum Instruction Time : 0

Correct Marks : 4 Wrong Marks : 1

प्रकाशन वर्ष की दृष्टि से निम्नलिखित उपन्यासों का सही अनुक्रम है -

- (A) एक चूहे की मौत
- (B) तमस
- (C) राग दरबारी
- (D) महाभोज
- (E) अपना मोर्चा

नीचे दिए गए विकल्पों में से सही उत्तर का चयन कीजिए :

- (1) (B), (C), (E), (A), (D)
- (2) (C), (E), (A), (B), (D)
- (3) (C), (A), (E), (B), (D)
- (4) (A), (C), (B), (D), (E)

Options :

- 920906113497. 1
- 920906113498. 2
- 920906113499. 3
- 920906113500. 4

Question Number : 76 Question Id : 92090628720 Question Type : MCQ Option Shuffling : No Is Question Mandatory : No Calculator : None Response Time : N.A Think Time : N.A Minimum Instruction Time : 0

Correct Marks : 4 Wrong Marks : 1

महादेवी वर्मा के निम्नलिखित 'काव्य संग्रहों' का सही अनुक्रम है:

- (A) रश्मि
- (B) नीहार
- (C) सांध्यगीत
- (D) दीपशिखा
- (E) नीरजा

नीचे दिए गए विकल्पों में से सही उत्तर का चयन कीजिए :

- (1) (A), (C), (B), (D), (E)
- (2) (B), (A), (E), (C), (D)
- (3) (B), (E), (A), (D), (E)
- (4) (A), (B), (C), (E), (D)

Options :

- 920906113501. 1
- 920906113502. 2
- 920906113503. 3
- 920906113504. 4

Question Number : 76 Question Id : 92090628720 Question Type : MCQ Option Shuffling : No Is Question Mandatory : No Calculator : None Response Time : N.A Think Time : N.A Minimum Instruction Time : 0

Correct Marks : 4 Wrong Marks : 1

महादेवी वर्मा के निम्नलिखित 'काव्य संग्रहों' का सही अनुक्रम है:

- (A) रश्मि
- (B) नीहार
- (C) सांध्यगीत
- (D) दीपशिखा
- (E) नीरजा

नीचे दिए गए विकल्पों में से सही उत्तर का चयन कीजिए :

- (1) (A), (C), (B), (D), (E)
- (2) (B), (A), (E), (C), (D)
- (3) (B), (E), (A), (D), (E)
- (4) (A), (B), (C), (E), (D)

Options :

- 920906113501. 1
- 920906113502. 2
- 920906113503. 3
- 920906113504. 4

Question Number : 77 Question Id : 92090628721 Question Type : MCQ Option Shuffling : No Is Question Mandatory : No Calculator : None Response Time : N.A Think Time : N.A Minimum Instruction Time : 0

Correct Marks : 4 Wrong Marks : 1

प्रकाशन वर्ष के अनुसार निम्नलिखित नाटकों का सही अनुक्रम है -

- (A) कोणार्क
- (B) जैसा काम वैसा परिणाम
- (C) नहुष
- (D) भारत-दुर्दशा
- (E) महाराणा प्रताप

नीचे दिए गए विकल्पों में से सही उत्तर का चयन कीजिए :

- (1) (C), (B), (D), (E), (A)
- (2) (C), (B), (A), (E), (D)
- (3) (D), (A), (B), (E), (D)
- (4) (C), (D), (E), (B), (A)

Options :

- 920906113505. 1
- 920906113506. 2
- 920906113507. 3
- 920906113508. 4

Question Number : 77 Question Id : 92090628721 Question Type : MCQ Option Shuffling : No Is Question Mandatory : No Calculator : None Response Time : N.A Think Time : N.A Minimum Instruction Time : 0

Correct Marks : 4 Wrong Marks : 1

प्रकाशन वर्ष के अनुसार निम्नलिखित नाटकों का सही अनुक्रम है -

- (A) कोणार्क
- (B) जैसा काम वैसा परिणाम
- (C) नहुष
- (D) भारत-दुर्दशा
- (E) महाराणा प्रताप

नीचे दिए गए विकल्पों में से सही उत्तर का चयन कीजिए :

- (1) (C), (B), (D), (E), (A)
- (2) (C), (B), (A), (E), (D)
- (3) (D), (A), (B), (E), (D)
- (4) (C), (D), (E), (B), (A)

Options :

- 920906113505. 1
- 920906113506. 2
- 920906113507. 3
- 920906113508. 4

Question Number : 78 Question Id : 92090628722 Question Type : MCQ Option Shuffling : No Is Question Mandatory : No Calculator : None Response Time : N.A Think Time : N.A Minimum Instruction Time : 0

Correct Marks : 4 Wrong Marks : 1

प्रकाशन वर्ष की दृष्टि से निम्नलिखित साहित्येतिहास ग्रंथों का सही अनुक्रम है -

- (A) हिंदी साहित्य का इतिहास
- (B) हिंदी साहित्य : उद्भव और विकास
- (C) हिंदी साहित्य और संवेदना का विकास
- (D) मिश्रबंधु-विनोद
- (E) हिंदी साहित्य का दूसरा इतिहास

नीचे दिए गए विकल्पों में से सही उत्तर का चयन कीजिए :

- (1) (A), (B), (D), (C), (E)
- (2) (A), (C), (B), (D), (E)
- (3) (D), (A), (B), (C), (E)
- (4) (B), (A), (C), (D), (E)

Options :

- 920906113509. 1
- 920906113510. 2
- 920906113511. 3
- 920906113512. 4

Question Number : 78 Question Id : 92090628722 Question Type : MCQ Option Shuffling : No Is Question Mandatory : No Calculator : None Response Time : N.A Think Time : N.A Minimum Instruction Time : 0

Correct Marks : 4 Wrong Marks : 1

प्रकाशन वर्ष की दृष्टि से निम्नलिखित साहित्येतिहास ग्रंथों का सही अनुक्रम है -

- (A) हिंदी साहित्य का इतिहास
- (B) हिंदी साहित्य : उद्भव और विकास
- (C) हिंदी साहित्य और संवेदना का विकास
- (D) मिश्रबंधु-विनोद
- (E) हिंदी साहित्य का दूसरा इतिहास

नीचे दिए गए विकल्पों में से सही उत्तर का चयन कीजिए :

- (1) (A), (B), (D), (C), (E)
- (2) (A), (C), (B), (D), (E)
- (3) (D), (A), (B), (C), (E)
- (4) (B), (A), (C), (D), (E)

Options :

- 920906113509. 1
- 920906113510. 2
- 920906113511. 3
- 920906113512. 4

Question Number : 79 Question Id : 92090628723 Question Type : MCQ Option Shuffling : No Is Question Mandatory : No Calculator : None Response Time : N.A Think Time : N.A Minimum Instruction Time : 0

Correct Marks : 4 Wrong Marks : 1

जयशंकर प्रसाद के काव्य संग्रहों का सही अनुक्रम है -

- (A) कामायनी
- (B) आँसू
- (C) लहर
- (D) झरना
- (E) प्रेमपथिक

नीचे दिए गए विकल्पों में से सही उत्तर का चयन कीजिए :

- (1) (D), (E), (C), (B), (A)
- (2) (E), (B), (D), (C), (A)
- (3) (E), (D), (C), (B), (A)
- (4) (E), (D), (B), (C), (A)

Options :

- 920906113513. 1
- 920906113514. 2
- 920906113515. 3
- 920906113516. 4

**Question Number : 79 Question Id : 92090628723 Question Type : MCQ Option Shuffling : No Is
Question Mandatory : No Calculator : None Response Time : N.A Think Time : N.A Minimum
Instruction Time : 0**

Correct Marks : 4 Wrong Marks : 1

जयशंकर प्रसाद के काव्य संग्रहों का सही अनुक्रम है -

- (A) कामायनी
- (B) आँसू
- (C) लहर
- (D) झरना
- (E) प्रेमपथिक

नीचे दिए गए विकल्पों में से सही उत्तर का चयन कीजिए :

- (1) (D), (E), (C), (B), (A)
- (2) (E), (B), (D), (C), (A)
- (3) (E), (D), (C), (B), (A)
- (4) (E), (D), (B), (C), (A)

Options :

- 920906113513. 1
- 920906113514. 2
- 920906113515. 3
- 920906113516. 4

Question Number : 80 Question Id : 92090628724 Question Type : MCQ Option Shuffling : No Is Question Mandatory : No Calculator : None Response Time : N.A Think Time : N.A Minimum Instruction Time : 0

Correct Marks : 4 Wrong Marks : 1

नीचे दो कथन दिए गए हैं :

कथन (I) : प्रयोगवाद को प्रगतिवाद की प्रतिक्रिया भी कहा जा सकता है।

कथन (II) : 'नदी के द्वीप' शीर्षक कविता में अज्ञेय प्रतीकों के माध्यम से अपनी अस्मिता को परिभाषित करते हैं।

उपरोक्त कथन के आलोक में, नीचे दिए गए विकल्पों में से सबसे उपयुक्त उत्तर का चयन कीजिए :

- (1) कथन (I) और (II) दोनों सही हैं
- (2) कथन (I) और (II) दोनों गलत हैं
- (3) कथन (I) सही है, लेकिन कथन (II) गलत है
- (4) कथन (I) गलत है, लेकिन कथन (II) सही है

Options :

920906113517. 1
920906113518. 2
920906113519. 3
920906113520. 4

Question Number : 80 Question Id : 92090628724 Question Type : MCQ Option Shuffling : No Is Question Mandatory : No Calculator : None Response Time : N.A Think Time : N.A Minimum Instruction Time : 0

Correct Marks : 4 Wrong Marks : 1

नीचे दो कथन दिए गए हैं :

कथन (I) : प्रयोगवाद को प्रगतिवाद की प्रतिक्रिया भी कहा जा सकता है।

कथन (II) : 'नदी के द्वीप' शीर्षक कविता में अज्ञेय प्रतीकों के माध्यम से अपनी अस्मिता को परिभाषित करते हैं।

उपरोक्त कथन के आलोक में, नीचे दिए गए विकल्पों में से सबसे उपयुक्त उत्तर का चयन कीजिए :

- (1) कथन (I) और (II) दोनों सही हैं
- (2) कथन (I) और (II) दोनों गलत हैं
- (3) कथन (I) सही है, लेकिन कथन (II) गलत है
- (4) कथन (I) गलत है, लेकिन कथन (II) सही है

Options :

920906113517. 1

920906113518. 2

920906113519. 3

920906113520. 4

Question Number : 81 Question Id : 92090628725 Question Type : MCQ Option Shuffling : No Is Question Mandatory : No Calculator : None Response Time : N.A Think Time : N.A Minimum Instruction Time : 0

Correct Marks : 4 Wrong Marks : 1

नीचे दो कथन दिए गए हैं :

कथन (I) : सूर्यकांत त्रिपाठी 'निराला' छायावाद के प्रमुख कवि हैं।

कथन (II) : निराला की रचनाएँ प्रगतिवाद और नयी कविता में भी मिलती हैं।

उपरोक्त कथन के आलोक में, नीचे दिए गए विकल्पों में से सही उत्तर का चयन कीजिए :

- (1) कथन (I) और (II) दोनों सत्य हैं
- (2) कथन (I) और (II) दोनों असत्य हैं
- (3) कथन (I) सत्य है, लेकिन कथन (II) असत्य है
- (4) कथन (I) असत्य है, लेकिन कथन (II) सत्य है

Options :

920906113521. 1

920906113522. 2

920906113523. 3

920906113524. 4

Question Number : 81 Question Id : 92090628725 Question Type : MCQ Option Shuffling : No Is Question Mandatory : No Calculator : None Response Time : N.A Think Time : N.A Minimum Instruction Time : 0

Correct Marks : 4 Wrong Marks : 1

नीचे दो कथन दिए गए हैं :

कथन (I) : सूर्यकांत त्रिपाठी 'निराला' छायावाद के प्रमुख कवि हैं।

कथन (II) : निराला की रचनाएँ प्रगतिवाद और नयी कविता में भी मिलती हैं।

उपरोक्त कथन के आलोक में, नीचे दिए गए विकल्पों में से सही उत्तर का चयन कीजिए :

- (1) कथन (I) और (II) दोनों सत्य हैं
- (2) कथन (I) और (II) दोनों असत्य हैं
- (3) कथन (I) सत्य है, लेकिन कथन (II) असत्य है
- (4) कथन (I) असत्य है, लेकिन कथन (II) सत्य है

Options :

- 920906113521. 1
- 920906113522. 2
- 920906113523. 3
- 920906113524. 4

Question Number : 82 Question Id : 92090628726 Question Type : MCQ Option Shuffling : No Is Question Mandatory : No Calculator : None Response Time : N.A Think Time : N.A Minimum Instruction Time : 0

Correct Marks : 4 Wrong Marks : 1

नीचे दो कथन दिए गए हैं :

कथन (I) : जैनेन्द्र कुमार के उपन्यासों के चरित्रों में स्थूल सामाजिक, नैतिक संघर्ष के स्थान पर नैतिक संघर्ष और जटिल मानसिकता मिलती है।

कथन (II) : इलाचंद्र जोशी मनोविश्लेषणवादी उपन्यासकार हैं।

उपरोक्त कथन के आलोक में, नीचे दिए गए विकल्पों में से सबसे उपयुक्त उत्तर का चयन कीजिए :

- (1) कथन (I) और (II) दोनों सही हैं
- (2) कथन (I) और (II) दोनों गलत हैं
- (3) कथन (I) सही है, लेकिन कथन (II) गलत है
- (4) कथन (I) गलत है, लेकिन कथन (II) सही है

Options :

- 920906113525. 1
- 920906113526. 2
- 920906113527. 3
- 920906113528. 4

Question Number : 82 Question Id : 92090628726 Question Type : MCQ Option Shuffling : No Is Question Mandatory : No Calculator : None Response Time : N.A Think Time : N.A Minimum Instruction Time : 0

Correct Marks : 4 Wrong Marks : 1

नीचे दो कथन दिए गए हैं :

कथन (I) : जैनेन्द्र कुमार के उपन्यासों के चरित्रों में स्थूल सामाजिक, नैतिक संघर्ष के स्थान पर नैतिक संघर्ष और जटिल मानसिकता मिलती है।

कथन (II) : इलाचंद्र जोशी मनोविश्लेषणवादी उपन्यासकार हैं।

उपरोक्त कथन के आलोक में, नीचे दिए गए विकल्पों में से सबसे उपयुक्त उत्तर का चयन कीजिए :

- (1) कथन (I) और (II) दोनों सही हैं
- (2) कथन (I) और (II) दोनों गलत हैं
- (3) कथन (I) सही है, लेकिन कथन (II) गलत है
- (4) कथन (I) गलत है, लेकिन कथन (II) सही है

Options :

920906113525. 1

920906113526. 2

920906113527. 3

920906113528. 4

Question Number : 83 Question Id : 92090628727 Question Type : MCQ Option Shuffling : No Is Question Mandatory : No Calculator : None Response Time : N.A Think Time : N.A Minimum Instruction Time : 0

Correct Marks : 4 Wrong Marks : 1

नीचे दो कथन दिए गए हैं :

कथन (I) : यदि पूर्वाग्रह को छोड़कर विचार किया जाए तो कहना होगा कि प्रसाद के नाटकों में जो गांभीर्य आया है, उसके मूल में रंगमंच की अवहेलना का बहुत कुछ योग है।

कथन (II) : प्रसाद के नाटकों की रंगमंचीय समस्याओं को सुलझा कर उन्हें सफलतापूर्वक प्रस्तुत किया जा सकता है।

उपरोक्त कथन के आलोक में, नीचे दिए गए विकल्पों में से सही उत्तर का चयन कीजिए :

- (1) कथन (I) और (II) दोनों सत्य हैं
- (2) कथन (I) और (II) दोनों असत्य हैं
- (3) कथन (I) सत्य है, लेकिन कथन (II) असत्य है
- (4) कथन (I) असत्य है, लेकिन कथन (II) सत्य है

Options :

920906113529. 1
920906113530. 2
920906113531. 3
920906113532. 4

Question Number : 83 Question Id : 92090628727 Question Type : MCQ Option Shuffling : No Is Question Mandatory : No Calculator : None Response Time : N.A Think Time : N.A Minimum Instruction Time : 0

Correct Marks : 4 Wrong Marks : 1

नीचे दो कथन दिए गए हैं :

कथन (I) : यदि पूर्वाग्रह को छोड़कर विचार किया जाए तो कहना होगा कि प्रसाद के नाटकों में जो गांभीर्य आया है, उसके मूल में रंगमंच की अवहेलना का बहुत कुछ योग है।

कथन (II) : प्रसाद के नाटकों की रंगमंचीय समस्याओं को सुलझा कर उन्हें सफलतापूर्वक प्रस्तुत किया जा सकता है।

उपरोक्त कथन के आलोक में, नीचे दिए गए विकल्पों में से सही उत्तर का चयन कीजिए :

- (1) कथन (I) और (II) दोनों सत्य हैं
- (2) कथन (I) और (II) दोनों असत्य हैं
- (3) कथन (I) सत्य है, लेकिन कथन (II) असत्य है
- (4) कथन (I) असत्य है, लेकिन कथन (II) सत्य है

Options :

920906113529. 1
920906113530. 2
920906113531. 3
920906113532. 4

Question Number : 84 Question Id : 92090628728 Question Type : MCQ Option Shuffling : No Is Question Mandatory : No Calculator : None Response Time : N.A Think Time : N.A Minimum Instruction Time : 0

Correct Marks : 4 Wrong Marks : 1

नीचे दो कथन दिए गए हैं :

कथन (I) : विश्व का पहला टी.वी. सोप-ऑपेरा 'द फर्स्ट हंड्रेड थियेटर्स' 1950 में प्रसारित हुआ था।

कथन (II) : भारत का पहला सोप-ऑपेरा 'बुनियाद' 1984 में प्रसारित हुआ था।

उपरोक्त कथन के आलोक में, नीचे दिए गए विकल्पों में से सही उत्तर का चयन कीजिए :

- (1) कथन (I) और (II) दोनों सत्य हैं
- (2) कथन (I) और (II) दोनों असत्य हैं
- (3) कथन (I) सत्य है, लेकिन कथन (II) असत्य है
- (4) कथन (I) असत्य है, लेकिन कथन (II) सत्य है

Options :

920906113533. 1

920906113534. 2

920906113535. 3

920906113536. 4

Question Number : 84 Question Id : 92090628728 Question Type : MCQ Option Shuffling : No Is Question Mandatory : No Calculator : None Response Time : N.A Think Time : N.A Minimum Instruction Time : 0

Correct Marks : 4 Wrong Marks : 1

नीचे दो कथन दिए गए हैं :

कथन (I) : विश्व का पहला टी.वी. सोप-ऑपेरा 'द फर्स्ट हंड्रेड थियेटर्स' 1950 में प्रसारित हुआ था।

कथन (II) : भारत का पहला सोप-ऑपेरा 'बुनियाद' 1984 में प्रसारित हुआ था।

उपरोक्त कथन के आलोक में, नीचे दिए गए विकल्पों में से सही उत्तर का चयन कीजिए :

- (1) कथन (I) और (II) दोनों सत्य हैं
- (2) कथन (I) और (II) दोनों असत्य हैं
- (3) कथन (I) सत्य है, लेकिन कथन (II) असत्य है
- (4) कथन (I) असत्य है, लेकिन कथन (II) सत्य है

Options :

920906113533. 1

920906113534. 2

920906113535. 3

920906113536. 4

Question Number : 85 Question Id : 92090628729 Question Type : MCQ Option Shuffling : No Is Question Mandatory : No Calculator : None Response Time : N.A Think Time : N.A Minimum Instruction Time : 0

Correct Marks : 4 Wrong Marks : 1

नीचे दो कथन दिए गए हैं :

कथन (I) : काव्य-प्रयोजन से संबद्ध आरंभिक संकेत 'नाट्यशास्त्र' में उपलब्ध होता है।

कथन (II) : रूद्रट ने अनर्थ के उपशम और विपत्ति के निवारण को भी काव्य-प्रयोजन माना है।

उपरोक्त कथन के आलोक में, नीचे दिए गए विकल्पों में से सही उत्तर का चयन कीजिए :

- (1) कथन (I) और (II) दोनों सत्य हैं
- (2) कथन (I) और (II) दोनों असत्य हैं
- (3) कथन (I) सत्य है, लेकिन कथन (II) असत्य है
- (4) कथन (I) असत्य है, लेकिन कथन (II) सत्य है

Options :

920906113537. 1

920906113538. 2

920906113539. 3

920906113540. 4

Question Number : 85 Question Id : 92090628729 Question Type : MCQ Option Shuffling : No Is Question Mandatory : No Calculator : None Response Time : N.A Think Time : N.A Minimum Instruction Time : 0

Correct Marks : 4 Wrong Marks : 1

नीचे दो कथन दिए गए हैं :

कथन (I) : काव्य-प्रयोजन से संबद्ध आरंभिक संकेत 'नाट्यशास्त्र' में उपलब्ध होता है।

कथन (II) : रूद्रट ने अनर्थ के उपशम और विपत्ति के निवारण को भी काव्य-प्रयोजन माना है।

उपरोक्त कथन के आलोक में, नीचे दिए गए विकल्पों में से सही उत्तर का चयन कीजिए :

- (1) कथन (I) और (II) दोनों सत्य हैं
- (2) कथन (I) और (II) दोनों असत्य हैं
- (3) कथन (I) सत्य है, लेकिन कथन (II) असत्य है
- (4) कथन (I) असत्य है, लेकिन कथन (II) सत्य है

Options :

920906113537. 1

920906113538. 2

920906113539. 3

920906113540. 4

Question Number : 86 Question Id : 92090628730 Question Type : MCQ Option Shuffling : No Is Question Mandatory : No Calculator : None Response Time : N.A Think Time : N.A Minimum Instruction Time : 0

Correct Marks : 4 Wrong Marks : 1

नीचे दो कथन दिए गए हैं :

कथन (I) : जिस क्रिया से कार्य की समाप्ति का बोध हो, उसे भूतकाल की क्रिया कहते हैं।

कथन (II) : क्रियाओं के व्यापार की निरंतरता को 'भविष्यत्काल' कहते हैं।

उपरोक्त कथन के आलोक में, नीचे दिए गए विकल्पों में से सही उत्तर का चयन कीजिए :

- (1) कथन (I) और (II) दोनों सत्य हैं
- (2) कथन (I) और (II) दोनों असत्य हैं
- (3) कथन (I) सत्य है, लेकिन कथन (II) असत्य है
- (4) कथन (I) असत्य है, लेकिन कथन (II) सत्य है

Options :

- 920906113541. 1
- 920906113542. 2
- 920906113543. 3
- 920906113544. 4

Question Number : 86 Question Id : 92090628730 Question Type : MCQ Option Shuffling : No Is Question Mandatory : No Calculator : None Response Time : N.A Think Time : N.A Minimum Instruction Time : 0

Correct Marks : 4 Wrong Marks : 1

नीचे दो कथन दिए गए हैं :

कथन (I) : जिस क्रिया से कार्य की समाप्ति का बोध हो, उसे भूतकाल की क्रिया कहते हैं।

कथन (II) : क्रियाओं के व्यापार की निरंतरता को 'भविष्यत्काल' कहते हैं।

उपरोक्त कथन के आलोक में, नीचे दिए गए विकल्पों में से सही उत्तर का चयन कीजिए :

- (1) कथन (I) और (II) दोनों सत्य हैं
- (2) कथन (I) और (II) दोनों असत्य हैं
- (3) कथन (I) सत्य है, लेकिन कथन (II) असत्य है
- (4) कथन (I) असत्य है, लेकिन कथन (II) सत्य है

Options :

- 920906113541. 1
- 920906113542. 2
- 920906113543. 3
- 920906113544. 4

Question Number : 87 Question Id : 92090628731 Question Type : MCQ Option Shuffling : No Is Question Mandatory : No Calculator : None Response Time : N.A Think Time : N.A Minimum Instruction Time : 0

Correct Marks : 4 Wrong Marks : 1

निम्नलिखित में से कौन 'संबंध' कारक की विभक्तियाँ हैं?

- (A) का
- (B) को
- (C) में
- (D) के
- (E) की

नीचे दिए गए विकल्पों में से सही उत्तर का चयन कीजिए :

- (1) केवल (A), (D), (E)
- (2) केवल (A), (B), (E)
- (3) केवल (A), (C), (E)
- (4) केवल (A), (B), (C)

Options :

- 920906113545. 1
- 920906113546. 2
- 920906113547. 3
- 920906113548. 4

Question Number : 87 Question Id : 92090628731 Question Type : MCQ Option Shuffling : No Is Question Mandatory : No Calculator : None Response Time : N.A Think Time : N.A Minimum Instruction Time : 0

Correct Marks : 4 Wrong Marks : 1

निम्नलिखित में से कौन 'संबंध' कारक की विभक्तियाँ हैं?

- (A) का
- (B) को
- (C) में
- (D) के
- (E) की

नीचे दिए गए विकल्पों में से सही उत्तर का चयन कीजिए :

- (1) केवल (A), (D), (E)
- (2) केवल (A), (B), (E)
- (3) केवल (A), (C), (E)
- (4) केवल (A), (B), (C)

Options :

- 920906113545. 1
- 920906113546. 2
- 920906113547. 3
- 920906113548. 4

Question Number : 88 Question Id : 92090628732 Question Type : MCQ Option Shuffling : No Is Question Mandatory : No Calculator : None Response Time : N.A Think Time : N.A Minimum Instruction Time : 0

Correct Marks : 4 Wrong Marks : 1

निम्नलिखित में से कौन रीतिकाल के कवि हैं?

- (A) प्रताप साहि
- (B) पद्माकर
- (C) सुंदरदास
- (D) बेनी प्रवीन
- (E) दादू दयाल

नीचे दिए गए विकल्पों में से सही उत्तर का चयन कीजिए :

- (1) केवल (A), (B), (D)
- (2) केवल (C), (E), (A)
- (3) केवल (B), (C), (E)
- (4) केवल (C), (D), (E)

Options :

- 920906113549. 1
- 920906113550. 2
- 920906113551. 3
- 920906113552. 4

Question Number : 88 Question Id : 92090628732 Question Type : MCQ Option Shuffling : No Is Question Mandatory : No Calculator : None Response Time : N.A Think Time : N.A Minimum Instruction Time : 0

Correct Marks : 4 Wrong Marks : 1

निम्नलिखित में से कौन रीतिकाल के कवि हैं?

- (A) प्रताप साहि
- (B) पद्माकर
- (C) सुंदरदास
- (D) बेनी प्रवीन
- (E) दादू दयाल

नीचे दिए गए विकल्पों में से सही उत्तर का चयन कीजिए :

- (1) केवल (A), (B), (D)
- (2) केवल (C), (E), (A)
- (3) केवल (B), (C), (E)
- (4) केवल (C), (D), (E)

Options :

- 920906113549. 1
- 920906113550. 2
- 920906113551. 3
- 920906113552. 4

Question Number : 89 Question Id : 92090628733 Question Type : MCQ Option Shuffling : No Is Question Mandatory : No Calculator : None Response Time : N.A Think Time : N.A Minimum Instruction Time : 0

Correct Marks : 4 Wrong Marks : 1

निम्नलिखित में से कौन से कवि प्रगतिवादी काव्यधारा के अन्तर्गत आते हैं?

- (A) हरिवंश राय बच्चन
- (B) केदारनाथ अग्रवाल
- (C) रामनरेश त्रिपाठी
- (D) त्रिलोचन शास्त्री
- (E) शिवमंगल सिंह 'सुमन'

नीचे दिए गए विकल्पों में से सही उत्तर का चयन कीजिए :

- (1) केवल (A), (B), (C)
- (2) केवल (B), (D), (E)
- (3) केवल (C), (D), (E)
- (4) केवल (A), (C), (E)

Options :

- 920906113553. 1
- 920906113554. 2
- 920906113555. 3
- 920906113556. 4

Question Number : 89 Question Id : 92090628733 Question Type : MCQ Option Shuffling : No Is Question Mandatory : No Calculator : None Response Time : N.A Think Time : N.A Minimum Instruction Time : 0

Correct Marks : 4 Wrong Marks : 1

निम्नलिखित में से कौन से कवि प्रगतिवादी काव्यधारा के अन्तर्गत आते हैं?

- (A) हरिवंश राय बच्चन
- (B) केदारनाथ अग्रवाल
- (C) रामनरेश त्रिपाठी
- (D) त्रिलोचन शास्त्री
- (E) शिवमंगल सिंह 'सुमन'

नीचे दिए गए विकल्पों में से सही उत्तर का चयन कीजिए :

- (1) केवल (A), (B), (C)
- (2) केवल (B), (D), (E)
- (3) केवल (C), (D), (E)
- (4) केवल (A), (C), (E)

Options :

- 920906113553. 1
- 920906113554. 2
- 920906113555. 3
- 920906113556. 4

Question Number : 90 Question Id : 92090628734 Question Type : MCQ Option Shuffling : No Is Question Mandatory : No Calculator : None Response Time : N.A Think Time : N.A Minimum Instruction Time : 0

Correct Marks : 4 Wrong Marks : 1

जयशंकर प्रसाद के नाटकों के संबंध में निम्नलिखित तथ्य मिलते हैं -

- (A) प्रसाद के नाटकों की अभिनेयता असंदिग्ध मानी जाती है।
- (B) प्रसाद ने अपने नाटकों के लिए भारतीय इतिहास के गुप्तकाल और मौर्यकाल के कथानकों को चुना।
- (C) व्यक्तित्व निर्माण और मानवीयता की दृष्टि से 'ध्रुवस्वामिनी' नाटक अद्वितीय है।
- (D) 'ध्रुवस्वामिनी' नाटक पर संस्कृत के 'देवी चन्द्रगुप्तम्' नाटक का प्रभाव है।
- (E) 'चंद्रगुप्त' नाटक में देश-प्रेम और संस्कृति-राग का औदात्य मिलता है।

नीचे दिए गए विकल्पों में से सही उत्तर का चयन कीजिए :

- (1) केवल (B), (C), (E)
- (2) केवल (A), (D), (E)
- (3) केवल (B), (D), (E)
- (4) केवल (B), (C), (D)

Options :

- 920906113557. 1
- 920906113558. 2
- 920906113559. 3
- 920906113560. 4

Question Number : 90 Question Id : 92090628734 Question Type : MCQ Option Shuffling : No Is Question Mandatory : No Calculator : None Response Time : N.A Think Time : N.A Minimum Instruction Time : 0

Correct Marks : 4 Wrong Marks : 1

जयशंकर प्रसाद के नाटकों के संबंध में निम्नलिखित तथ्य मिलते हैं -

- (A) प्रसाद के नाटकों की अभिनेयता असंदिग्ध मानी जाती है।
- (B) प्रसाद ने अपने नाटकों के लिए भारतीय इतिहास के गुप्तकाल और मौर्यकाल के कथानकों को चुना।
- (C) व्यक्तित्व निर्माण और मानवीयता की दृष्टि से 'ध्रुवस्वामिनी' नाटक अद्वितीय है।
- (D) 'ध्रुवस्वामिनी' नाटक पर संस्कृत के 'देवी चन्द्रगुप्तम्' नाटक का प्रभाव है।
- (E) 'चंद्रगुप्त' नाटक में देश-प्रेम और संस्कृति-राग का औदात्य मिलता है।

नीचे दिए गए विकल्पों में से सही उत्तर का चयन कीजिए :

- (1) केवल (B), (C), (E)
- (2) केवल (A), (D), (E)
- (3) केवल (B), (D), (E)
- (4) केवल (B), (C), (D)

Options :

- 920906113557. 1
- 920906113558. 2
- 920906113559. 3
- 920906113560. 4

Question Number : 91 Question Id : 92090628735 Question Type : MCQ Option Shuffling : No Is Question Mandatory : No Calculator : None Response Time : N.A Think Time : N.A Minimum Instruction Time : 0 Correct Marks : 4 Wrong Marks : 1

प्रेमचंद के उपन्यासों से संबंधित सही तथ्य हैं -

- (A) 'गोदान' में किसानों की ऋण की समस्या का चित्रण हुआ है।
- (B) प्रेमचंद के उपन्यासों में केवल यथार्थ का चित्रण मिलता है।
- (C) 'निर्मला' उपन्यास में अनमेल विवाह और दहेज-समस्या का चित्रण है।
- (D) 'सेवासदन' उपन्यास में प्रेम और विवाह की समस्या का चित्रण है।
- (E) हिंदी उपन्यास विधा में प्रेमचंद 'उपन्यास सम्राट' माने जाते हैं।

नीचे दिए गए विकल्पों में से सबसे उपयुक्त उत्तर का चयन कीजिए :

- (1) केवल (A), (B), (E)
- (2) केवल (A), (D), (E)
- (3) केवल (A), (B), (C)
- (4) केवल (A), (C), (E)

Options :

- 920906113561. 1
- 920906113562. 2
- 920906113563. 3
- 920906113564. 4

Question Number : 91 Question Id : 92090628735 Question Type : MCQ Option Shuffling : No Is Question Mandatory : No Calculator : None Response Time : N.A Think Time : N.A Minimum Instruction Time : 0

Correct Marks : 4 Wrong Marks : 1

प्रेमचंद के उपन्यासों से संबंधित सही तथ्य हैं -

- (A) 'गोदान' में किसानों की ऋण की समस्या का चित्रण हुआ है।
- (B) प्रेमचंद के उपन्यासों में केवल यथार्थ का चित्रण मिलता है।
- (C) 'निर्मला' उपन्यास में अनमेल विवाह और दहेज-समस्या का चित्रण है।
- (D) 'सेवासदन' उपन्यास में प्रेम और विवाह की समस्या का चित्रण है।
- (E) हिंदी उपन्यास विधा में प्रेमचंद 'उपन्यास सम्राट' माने जाते हैं।

नीचे दिए गए विकल्पों में से सबसे उपयुक्त उत्तर का चयन कीजिए :

- (1) केवल (A), (B), (E)
- (2) केवल (A), (D), (E)
- (3) केवल (A), (B), (C)
- (4) केवल (A), (C), (E)

Options :

- 920906113561. 1
- 920906113562. 2
- 920906113563. 3
- 920906113564. 4

Question Number : 92 Question Id : 92090628736 Question Type : MCQ Option Shuffling : No Is Question Mandatory : No Calculator : None Response Time : N.A Think Time : N.A Minimum Instruction Time : 0

Correct Marks : 4 Wrong Marks : 1

काव्य-प्रयोजन से संबद्ध सही तथ्य हैं -

- (A) कांतासम्मित उपदेश
- (B) व्युत्पत्ति
- (C) अर्थ की प्राप्ति
- (D) अमंगल
- (E) मनोरंजन

नीचे दिए गए विकल्पों में से सही उत्तर का चयन कीजिए :

- (1) केवल (A), (C), (D)
- (2) केवल (A), (C), (E)
- (3) केवल (A), (B), (C)
- (4) केवल (A), (D), (E)

Options :

- 920906113565. 1
- 920906113566. 2
- 920906113567. 3
- 920906113568. 4

**Question Number : 92 Question Id : 92090628736 Question Type : MCQ Option Shuffling : No Is
Question Mandatory : No Calculator : None Response Time : N.A Think Time : N.A Minimum
Instruction Time : 0**

Correct Marks : 4 Wrong Marks : 1

काव्य-प्रयोजन से संबद्ध सही तथ्य हैं -

- (A) कांतासम्मित उपदेश
- (B) व्युत्पत्ति
- (C) अर्थ की प्राप्ति
- (D) अमंगल
- (E) मनोरंजन

नीचे दिए गए विकल्पों में से सही उत्तर का चयन कीजिए :

- (1) केवल (A), (C), (D)
- (2) केवल (A), (C), (E)
- (3) केवल (A), (B), (C)
- (4) केवल (A), (D), (E)

Options :

- 920906113565. 1
- 920906113566. 2
- 920906113567. 3
- 920906113568. 4

**Question Number : 93 Question Id : 92090628737 Question Type : MCQ Option Shuffling : No Is
Question Mandatory : No Calculator : None Response Time : N.A Think Time : N.A Minimum
Instruction Time : 0**

Correct Marks : 4 Wrong Marks : 1

‘वाक्य’ संबंधी तथ्यों पर विचार कीजिए -

- (A) जहाँ एक वाक्य दूसरे की संभावना पर निर्भर हो, वह संकेतवाचक वाक्य कहलाता है।
- (B) जिससे किसी बात के होने का बोध हो, वह विधिवाचक वाक्य कहलाता है।
- (C) जिससे किसी बात के न होने का बोध हो, वह निषेधवाचक वाक्य कहलाता है।
- (D) जिससे किसी प्रकार के आश्चर्य या दुःख-सुख का बोध हो, वह विस्मयवाचक वाक्य कहलाता है।
- (E) जिससे किसी प्रकार की इच्छा का बोध हो, वह आज्ञावाचक वाक्य कहलाता है।

नीचे दिए गए विकल्पों में से सबसे उपयुक्त उत्तर का चयन कीजिए :

- (1) केवल (A), (B), (C)
- (2) केवल (B), (C), (E)
- (3) केवल (A), (B), (E)
- (4) केवल (B), (C), (D)

Options :

920906113569. 1

920906113570. 2

920906113571. 3

920906113572. 4

Question Number : 93 Question Id : 92090628737 Question Type : MCQ Option Shuffling : No Is Question Mandatory : No Calculator : None Response Time : N.A Think Time : N.A Minimum Instruction Time : 0

Correct Marks : 4 Wrong Marks : 1

‘वाक्य’ संबंधी तथ्यों पर विचार कीजिए -

- (A) जहाँ एक वाक्य दूसरे की संभावना पर निर्भर हो, वह संकेतवाचक वाक्य कहलाता है।
- (B) जिससे किसी बात के होने का बोध हो, वह विधिवाचक वाक्य कहलाता है।
- (C) जिससे किसी बात के न होने का बोध हो, वह निषेधवाचक वाक्य कहलाता है।
- (D) जिससे किसी प्रकार के आश्चर्य या दुःख-सुख का बोध हो, वह विस्मयवाचक वाक्य कहलाता है।
- (E) जिससे किसी प्रकार की इच्छा का बोध हो, वह आज्ञावाचक वाक्य कहलाता है।

नीचे दिए गए विकल्पों में से सबसे उपयुक्त उत्तर का चयन कीजिए :

- (1) केवल (A), (B), (C)
- (2) केवल (B), (C), (E)
- (3) केवल (A), (B), (E)
- (4) केवल (B), (C), (D)

Options :

- 920906113569. 1
- 920906113570. 2
- 920906113571. 3
- 920906113572. 4

Question Number : 94 Question Id : 92090628738 Question Type : MCQ Option Shuffling : No Is Question Mandatory : No Calculator : None Response Time : N.A Think Time : N.A Minimum Instruction Time : 0

Correct Marks : 4 Wrong Marks : 1

सूची-I के साथ सूची-II का मिलान कीजिए :

सूची-I (पत्रिका)

सूची-II (संपादक)

- | | |
|-------------------|----------------------------------|
| (A) हिन्दी प्रदीप | (I) प्रतापनारायण मिश्र |
| (B) कवि वचन सुधा | (II) बदरी नारायण चौधरी 'प्रेमधन' |
| (C) ब्राह्मण | (III) बालकृष्ण भट्ट |
| (D) नागरी नीरद | (IV) भारतेन्दु हरिश्चन्द्र |

नीचे दिए गए विकल्पों में से सही उत्तर का चयन कीजिए :

- (1) (A)-(III), (B)-(IV), (C)-(I), (D)-(II)
- (2) (A)-(I), (B)-(II), (C)-(III), (D)-(IV)
- (3) (A)-(II), (B)-(I), (C)-(IV), (D)-(III)
- (4) (A)-(IV), (B)-(III), (C)-(II), (D)-(I)

Options :

920906113573. 1
920906113574. 2
920906113575. 3
920906113576. 4

Question Number : 94 Question Id : 92090628738 Question Type : MCQ Option Shuffling : No Is Question Mandatory : No Calculator : None Response Time : N.A Think Time : N.A Minimum Instruction Time : 0

Correct Marks : 4 Wrong Marks : 1

सूची-I के साथ सूची-II का मिलान कीजिए :

सूची-I (पत्रिका)

सूची-II (संपादक)

- | | |
|-------------------|----------------------------------|
| (A) हिन्दी प्रदीप | (I) प्रतापनारायण मिश्र |
| (B) कवि वचन सुधा | (II) बदरी नारायण चौधरी 'प्रेमधन' |
| (C) ब्राह्मण | (III) बालकृष्ण भट्ट |
| (D) नागरी नीरद | (IV) भारतेन्दु हरिश्चन्द्र |

नीचे दिए गए विकल्पों में से सही उत्तर का चयन कीजिए :

- (1) (A)-(III), (B)-(IV), (C)-(I), (D)-(II)
- (2) (A)-(I), (B)-(II), (C)-(III), (D)-(IV)
- (3) (A)-(II), (B)-(I), (C)-(IV), (D)-(III)
- (4) (A)-(IV), (B)-(III), (C)-(II), (D)-(I)

Options :

920906113573. 1
920906113574. 2
920906113575. 3
920906113576. 4

Question Number : 95 Question Id : 92090628739 Question Type : MCQ Option Shuffling : No Is Question Mandatory : No Calculator : None Response Time : N.A Think Time : N.A Minimum Instruction Time : 0

Correct Marks : 4 Wrong Marks : 1

सूची-I के साथ सूची-II का मिलान कीजिए :

सूची-I रचना	सूची-II रचनाकार
(A) सरोज-स्मृति	(I) श्रीधर पाठक
(B) लहर	(II) रामनरेश त्रिपाठी
(C) स्वर्गीय-वीणा	(III) निराला
(D) स्वप्न	(IV) जयशंकर प्रसाद

नीचे दिए गए विकल्पों में से सही उत्तर का चयन कीजिए :

- (1) (A)-(I), (B)-(II), (C)-(III), (D)-(IV)
- (2) (A)-(III), (B)-(IV), (C)-(I), (D)-(II)
- (3) (A)-(IV), (B)-(I), (C)-(II), (D)-(III)
- (4) (A)-(II), (B)-(III), (C)-(IV), (D)-(I)

Options :

920906113577. 1
920906113578. 2
920906113579. 3
920906113580. 4

**Question Number : 95 Question Id : 92090628739 Question Type : MCQ Option Shuffling : No Is
Question Mandatory : No Calculator : None Response Time : N.A Think Time : N.A Minimum
Instruction Time : 0**

Correct Marks : 4 Wrong Marks : 1

सूची-I के साथ सूची-II का मिलान कीजिए :

सूची-I रचना	सूची-II रचनाकार
(A) सरोज-स्मृति	(I) श्रीधर पाठक
(B) लहर	(II) रामनरेश त्रिपाठी
(C) स्वर्गीय-वीणा	(III) निराला
(D) स्वप्न	(IV) जयशंकर प्रसाद

नीचे दिए गए विकल्पों में से सही उत्तर का चयन कीजिए :

- (1) (A)-(I), (B)-(II), (C)-(III), (D)-(IV)
- (2) (A)-(III), (B)-(IV), (C)-(I), (D)-(II)
- (3) (A)-(IV), (B)-(I), (C)-(II), (D)-(III)
- (4) (A)-(II), (B)-(III), (C)-(IV), (D)-(I)

Options :

920906113577. 1
920906113578. 2
920906113579. 3
920906113580. 4

**Question Number : 96 Question Id : 92090628740 Question Type : MCQ Option Shuffling : No Is
Question Mandatory : No Calculator : None Response Time : N.A Think Time : N.A Minimum
Instruction Time : 0**

Correct Marks : 4 Wrong Marks : 1

सूची-I के साथ सूची-II का मिलान कीजिए :

सूची-I उपन्यास	सूची-II प्रकाशन वर्ष
(A) कायाकल्प	(I) 1924
(B) कर्मभूमि	(II) 1931
(C) रंगभूमि	(III) 1932
(D) गबन	(IV) 1926

नीचे दिए गए विकल्पों में से सही उत्तर का चयन कीजिए :

- (1) (A)-(III), (B)-(II), (C)-(IV), (D)-(I)
- (2) (A)-(IV), (B)-(I), (C)-(II), (D)-(III)
- (3) (A)-(IV), (B)-(I), (C)-(III), (D)-(II)
- (4) (A)-(IV), (B)-(III), (C)-(I), (D)-(II)

Options :

920906113581. 1
920906113582. 2
920906113583. 3
920906113584. 4

Question Number : 96 Question Id : 92090628740 Question Type : MCQ Option Shuffling : No Is Question Mandatory : No Calculator : None Response Time : N.A Think Time : N.A Minimum Instruction Time : 0

Correct Marks : 4 Wrong Marks : 1

सूची-I के साथ सूची-II का मिलान कीजिए :

सूची-I उपन्यास	सूची-II प्रकाशन वर्ष
(A) कायाकल्प	(I) 1924
(B) कर्मभूमि	(II) 1931
(C) रंगभूमि	(III) 1932
(D) गबन	(IV) 1926

नीचे दिए गए विकल्पों में से सही उत्तर का चयन कीजिए :

- (1) (A)-(III), (B)-(II), (C)-(IV), (D)-(I)
- (2) (A)-(IV), (B)-(I), (C)-(II), (D)-(III)
- (3) (A)-(IV), (B)-(I), (C)-(III), (D)-(II)
- (4) (A)-(IV), (B)-(III), (C)-(I), (D)-(II)

Options :

920906113581. 1
920906113582. 2
920906113583. 3
920906113584. 4

Question Number : 97 Question Id : 92090628741 Question Type : MCQ Option Shuffling : No Is Question Mandatory : No Calculator : None Response Time : N.A Think Time : N.A Minimum Instruction Time : 0

Correct Marks : 4 Wrong Marks : 1

सूची-I के साथ सूची-II का मिलान कीजिए :

सूची-I विज्ञापन पंक्ति	सूची-II उत्पाद
(A) आह से आहा तक	(I) कुरकुरे
(B) खुशियों की होम डिलीवरी	(II) पेप्सी
(C) यही है राइट चॉयस बेबी	(III) मूव क्रीम
(D) टेढ़ा है, पर मेरा है	(IV) डोमिनोज पिज़्जा

नीचे दिए गए विकल्पों में से सही उत्तर का चयन कीजिए :

- (1) (A)-(I), (B)-(IV), (C)-(III), (D)-(II)
- (2) (A)-(III), (B)-(IV), (C)-(I), (D)-(II)
- (3) (A)-(III), (B)-(IV), (C)-(II), (D)-(I)
- (4) (A)-(IV), (B)-(III), (C)-(II), (D)-(I)

Options :

920906113585. 1
920906113586. 2
920906113587. 3
920906113588. 4

**Question Number : 97 Question Id : 92090628741 Question Type : MCQ Option Shuffling : No Is
Question Mandatory : No Calculator : None Response Time : N.A Think Time : N.A Minimum
Instruction Time : 0**

Correct Marks : 4 Wrong Marks : 1

सूची-I के साथ सूची-II का मिलान कीजिए :

सूची-I विज्ञापन पंक्ति	सूची-II उत्पाद
(A) आह से आहा तक	(I) कुरकुरे
(B) खुशियों की होम डिलीवरी	(II) पेप्सी
(C) यही है राइट चॉयस बेबी	(III) मूव क्रीम
(D) टेढ़ा है, पर मेरा है	(IV) डोमिनोज पिज़्जा

नीचे दिए गए विकल्पों में से सही उत्तर का चयन कीजिए :

- (1) (A)-(I), (B)-(IV), (C)-(III), (D)-(II)
- (2) (A)-(III), (B)-(IV), (C)-(I), (D)-(II)
- (3) (A)-(III), (B)-(IV), (C)-(II), (D)-(I)
- (4) (A)-(IV), (B)-(III), (C)-(II), (D)-(I)

Options :

920906113585. 1
920906113586. 2
920906113587. 3
920906113588. 4

**Question Number : 98 Question Id : 92090628742 Question Type : MCQ Option Shuffling : No Is
Question Mandatory : No Calculator : None Response Time : N.A Think Time : N.A Minimum
Instruction Time : 0**

Correct Marks : 4 Wrong Marks : 1

सूची-I के साथ सूची-II का मिलान कीजिए :

सूची-I ग्रंथ	सूची-II ग्रंथकार
(A) काव्यालंकारसूत्र	(I) मम्मट
(B) काव्यादर्श	(II) श्रीपति
(C) काव्यसरोज	(III) वामन
(D) काव्यप्रकाश	(IV) दंडी

नीचे दिए गए विकल्पों में से सही उत्तर का चयन कीजिए :

- (1) (A)-(II), (B)-(III), (C)-(I), (D)-(IV)
- (2) (A)-(IV), (B)-(I), (C)-(III), (D)-(II)
- (3) (A)-(III), (B)-(IV), (C)-(II), (D)-(I)
- (4) (A)-(I), (B)-(II), (C)-(IV), (D)-(III)

Options :

920906113589. 1
920906113590. 2
920906113591. 3
920906113592. 4

**Question Number : 98 Question Id : 92090628742 Question Type : MCQ Option Shuffling : No Is
Question Mandatory : No Calculator : None Response Time : N.A Think Time : N.A Minimum
Instruction Time : 0**

Correct Marks : 4 Wrong Marks : 1

सूची-I के साथ सूची-II का मिलान कीजिए :

सूची-I ग्रंथ	सूची-II ग्रंथकार
(A) काव्यालंकारसूत्र	(I) मम्मट
(B) काव्यादर्श	(II) श्रीपति
(C) काव्यसरोज	(III) वामन
(D) काव्यप्रकाश	(IV) दंडी

नीचे दिए गए विकल्पों में से सही उत्तर का चयन कीजिए :

- (1) (A)-(II), (B)-(III), (C)-(I), (D)-(IV)
- (2) (A)-(IV), (B)-(I), (C)-(III), (D)-(II)
- (3) (A)-(III), (B)-(IV), (C)-(II), (D)-(I)
- (4) (A)-(I), (B)-(II), (C)-(IV), (D)-(III)

Options :

920906113589. 1
920906113590. 2
920906113591. 3
920906113592. 4

**Question Number : 99 Question Id : 92090628743 Question Type : MCQ Option Shuffling : No Is
Question Mandatory : No Calculator : None Response Time : N.A Think Time : N.A Minimum
Instruction Time : 0**

Correct Marks : 4 Wrong Marks : 1

सूची-I के साथ सूची-II का मिलान कीजिए :

सूची-I समास	सूची-II उदाहरण
(A) अव्ययीभाव	(I) पीतांबर
(B) तत्पुरुष	(II) देवासुर
(C) द्वन्द्व	(III) प्रत्यंग
(D) बहुब्रीहि	(IV) गगनचुम्बी

नीचे दिए गए विकल्पों में से सही उत्तर का चयन कीजिए :

- (1) (A)-(IV), (B)-(III), (C)-(II), (D)-(I)
- (2) (A)-(III), (B)-(IV), (C)-(II), (D)-(I)
- (3) (A)-(IV), (B)-(III), (C)-(I), (D)-(II)
- (4) (A)-(II), (B)-(IV), (C)-(I), (D)-(III)

Options :

920906113593. 1
920906113594. 2
920906113595. 3
920906113596. 4

Question Number : 99 Question Id : 92090628743 Question Type : MCQ Option Shuffling : No Is Question Mandatory : No Calculator : None Response Time : N.A Think Time : N.A Minimum Instruction Time : 0

Correct Marks : 4 Wrong Marks : 1

सूची-I के साथ सूची-II का मिलान कीजिए :

सूची-I समास	सूची-II उदाहरण
(A) अव्ययीभाव	(I) पीतांबर
(B) तत्पुरुष	(II) देवासुर
(C) द्वन्द्व	(III) प्रत्यंग
(D) बहुब्रीहि	(IV) गगनचुम्बी

नीचे दिए गए विकल्पों में से सही उत्तर का चयन कीजिए :

- (1) (A)-(IV), (B)-(III), (C)-(II), (D)-(I)
- (2) (A)-(III), (B)-(IV), (C)-(II), (D)-(I)
- (3) (A)-(IV), (B)-(III), (C)-(I), (D)-(II)
- (4) (A)-(II), (B)-(IV), (C)-(I), (D)-(III)

Options :

920906113593. 1
920906113594. 2
920906113595. 3
920906113596. 4

Question Number : 100 Question Id : 92090628744 Question Type : MCQ Option Shuffling : No Is Question Mandatory : No Calculator : None Response Time : N.A Think Time : N.A Minimum Instruction Time : 0

Correct Marks : 4 Wrong Marks : 1

सूची-I के साथ सूची-II का मिलान कीजिए :

सूची-I रचना	सूची-II रचनाकार
(A) प्रवास की डायरी	(I) स.ही. वात्स्यायन अज्ञेय
(B) साठ वर्ष : एक रेखांकन	(II) रघुवीर सहाय
(C) दिल्ली मेरा परदेस	(III) हरिवंशराय 'बच्चन'
(D) एक बूँद सहसा उछली	(IV) सुमित्रानंदन पंत

नीचे दिए गए विकल्पों में से सही उत्तर का चयन कीजिए :

- (1) (A)-(I), (B)-(III), (C)-(IV), (D)-(II)
- (2) (A)-(III), (B)-(IV), (C)-(II), (D)-(I)
- (3) (A)-(II), (B)-(I), (C)-(III), (D)-(IV)
- (4) (A)-(III), (B)-(II), (C)-(IV), (D)-(I)

Options :

920906113597. 1
920906113598. 2
920906113599. 3
920906113600. 4

Question Number : 100 Question Id : 92090628744 Question Type : MCQ Option Shuffling : No Is Question Mandatory : No Calculator : None Response Time : N.A Think Time : N.A Minimum Instruction Time : 0

Correct Marks : 4 Wrong Marks : 1

सूची-I के साथ सूची-II का मिलान कीजिए :

सूची-I रचना	सूची-II रचनाकार
(A) प्रवास की डायरी	(I) स.ही. वात्स्यायन अज्ञेय
(B) साठ वर्ष : एक रेखांकन	(II) रघुवीर सहाय
(C) दिल्ली मेरा परदेस	(III) हरिवंशराय 'बच्चन'
(D) एक बूँद सहसा उछली	(IV) सुमित्रानंदन पंत

नीचे दिए गए विकल्पों में से सही उत्तर का चयन कीजिए :

- (1) (A)-(I), (B)-(III), (C)-(IV), (D)-(II)
- (2) (A)-(III), (B)-(IV), (C)-(II), (D)-(I)
- (3) (A)-(II), (B)-(I), (C)-(III), (D)-(IV)
- (4) (A)-(III), (B)-(II), (C)-(IV), (D)-(I)

Options :

920906113597. 1
920906113598. 2
920906113599. 3
920906113600. 4