

# National Testing Agency

**Question Paper Name :** 18S3  
**Subject Name :** 18Jun2023 Shift3 Subject Combination 1  
**Creation Date :** 2023-06-18 22:37:53  
**Duration :** 690  
**Total Marks :** 3050  
**Display Marks:** Yes

## English

**Group Number :** 1  
**Group Id :** 485584768  
**Group Maximum Duration :** 45  
**Group Minimum Duration :** 45  
**Show Attended Group? :** No  
**Edit Attended Group? :** No  
**Break time :** 0  
**Group Marks :** 200  
**Is this Group for Examiner? :** No  
**Examiner permission :** Cant View  
**Show Progress Bar? :** No

## English

**Section Id :** 485584886  
**Section Number :** 1  
**Section type :** Online  
**Mandatory or Optional :** Mandatory  
**Number of Questions :** 50  
**Number of Questions to be attempted :** 40  
**Section Marks :** 200  
**Enable Mark as Answered Mark for Review and Clear Response :** Yes  
**Maximum Instruction Time :** 0  
**Sub-Section Number :** 1  
**Sub-Section Id :** 4855842506  
**Question Shuffling Allowed :** No  
**Is Section Default? :** null

**Question Number : 1 Question Id : 48558433946 Question Type : MCQ Option Shuffling : No Is Question Mandatory : No Calculator : None Response Time : N.A Think Time : N.A Minimum Instruction Time : 0**

**Correct Marks : 5 Wrong Marks : 1**

**Question Key Details :**

Key	Value
Comprehension	Comp1

Read the following literary passage. Answer Questions:-

**No Man is an Island**

No man is an island,  
Entire of itself,  
Every man is a piece of the continent,  
A part of the main,  
if a clod be washed away by the sea,  
Europe is the less.  
As well as if a promontory were,  
As well as if a manor of the friend's  
Or of thine own were:  
Any man's death diminishes me,  
Because I am involved in mankind,  
and therefore never send to know for whom the bell tolls;  
It tolls for thee.

What is the essential idea of the passage?

1. The passage signifies a connection between all of humankind.
2. The passage signifies that all aquatic animals are connected.
3. The poet is uninvolved in mankind.
4. The poet wants to live in an island.

**Options :**

- 485584135781. 1
- 485584135782. 2
- 485584135783. 3
- 485584135784. 4

**Question Number : 2 Question Id : 48558433947 Question Type : MCQ Option Shuffling : No Is Question Mandatory : No Calculator : None Response Time : N.A Think Time : N.A Minimum Instruction Time : 0**

**Correct Marks : 5 Wrong Marks : 1**

**Question Key Details :**

Key	Value
Comprehension	Comp1

Read the following literary passage. Answer Questions:-

**No Man is an Island**

No man is an island,  
Entire of itself,  
Every man is a piece of the continent,  
A part of the main,  
if a clod be washed away by the sea,  
Europe is the less.  
As well as if a promontory were,  
As well as if a manor of the friend's  
Or of thine own were:  
Any man's death diminishes me,  
Because I am involved in mankind,  
and therefore never send to know for whom the bell tolls;  
It tolls for thee.

What is the meaning of the word 'clod'?

1. A ship
2. A child
3. Jellyfish
4. A lump of earth or clay

**Options :**

- 485584135785. 1
- 485584135786. 2
- 485584135787. 3
- 485584135788. 4

**Question Number : 3 Question Id : 48558433948 Question Type : MCQ Option Shuffling : No Is Question Mandatory : No Calculator : None Response Time : N.A Think Time : N.A Minimum Instruction Time : 0**

**Correct Marks : 5 Wrong Marks : 1**

**Question Key Details :**

Key	Value
Comprehension	Comp1

Read the following literary passage. Answer Questions:-

**No Man is an Island**

No man is an island,  
Entire of itself,  
Every man is a piece of the continent,  
A part of the main,  
if a clod be washed away by the sea,  
Europe is the less.  
As well as if a promontory were,  
As well as if a manor of the friend's  
Or of thine own were:  
Any man's death diminishes me,  
Because I am involved in mankind,  
and therefore never send to know for whom the bell tolls;  
It tolls for thee.

What is the name of the poetic device when there is a repetition of words/phrases at the beginning of successive lines?

- 1. Metaphor
- 2. Simili
- 3. Anaphora
- 4. Hyperbole

**Options :**

- 485584135789. 1
- 485584135790. 2
- 485584135791. 3
- 485584135792. 4

**Question Number : 4 Question Id : 48558433949 Question Type : MCQ Option Shuffling : No Is Question Mandatory : No Calculator : None Response Time : N.A Think Time : N.A Minimum Instruction Time : 0**

**Correct Marks : 5 Wrong Marks : 1**

**Question Key Details :**

Key	Value
Comprehension	Comp1

Read the following literary passage. Answer Questions:-

**No Man is an Island**

No man is an island,  
Entire of itself,  
Every man is a piece of the continent,  
A part of the main,  
if a clod be washed away by the sea,  
Europe is the less.  
As well as if a promontory were,  
As well as if a manor of the friend's  
Or of thine own were:  
Any man's death diminishes me,  
Because I am involved in mankind,  
and therefore never send to know for whom the bell tolls;  
It tolls for thee.

What does the clause "for whom the bell tolls" entail?

1. The arrival of a guest
2. The arrival of death
3. The Sunday church mass
4. Time to Pray

**Options :**

- 485584135793. 1
- 485584135794. 2
- 485584135795. 3
- 485584135796. 4

**Question Number : 5 Question Id : 48558433950 Question Type : MCQ Option Shuffling : No Is Question Mandatory : No Calculator : None Response Time : N.A Think Time : N.A Minimum Instruction Time : 0**

**Correct Marks : 5 Wrong Marks : 1**

**Question Key Details :**

Key	Value
Comprehension	Comp1

Read the following literary passage. Answer Questions:-

### No Man is an Island

No man is an island,  
Entire of itself,  
Every man is a piece of the continent,  
A part of the main,  
if a clod be washed away by the sea,  
Europe is the less.  
As well as if a promontory were,  
As well as if a manor of the friend's  
Or of thine own were:  
Any man's death diminishes me,  
Because I am involved in mankind,  
and therefore never send to know for whom the bell tolls;  
It tolls for thee.

'No man is an Island' signifies that-

1. No man stands in isolation
2. All of humanity is connected
3. No man exists as a landmass
4. No island is inhabited by men

#### Options :

- 485584135797. 1
- 485584135798. 2
- 485584135799. 3
- 485584135800. 4

Sub-Section Number : 2  
Sub-Section Id : 4855842507  
Question Shuffling Allowed : No  
Is Section Default? : null

Question Number : 6 Question Id : 48558433951 Question Type : MCQ Option Shuffling : No Is Question Mandatory :  
No Calculator : None Response Time : N.A Think Time : N.A Minimum Instruction Time : 0

Correct Marks : 5 Wrong Marks : 1

#### Question Key Details :

Key	Value
Comprehension	Comp2

Read the passage and answer the question:

This is an age-old tale. A mother and her daughter Satto, lived in a village. During that time, the forests were full of fruits and flowers. The women and girls of the village used to go and pluck these fruits and flowers. All of them used to pluck the sweet flowers of the *mahua* (*Bassia Latifolia*) tree, stored them at home and consumed them later.

One day, all of them plucked the sweet flowers and kept them in their rooms without drying them. Satto's mother was not at home. Satto dried the sweet flowers. As the flowers dried, they shrunk. Later on when Satto's mother came home, she found very little flowers and thought that either Satto had eaten the flowers or she had given them to the village girls. In her blind rage, she beat her daughter to death. The women and girls of the village told her that she killed her daughter for such a trivial issue. They asked her to soak the flowers in water. When she soaked the *mahuas*, they swelled up and the entire room was filled with the flowers. Satto's mother was full of remorse. She regretted the fact that she killed her daughter without thinking. She died because of grief.

She was reborn as the *pandak* bird. The *pandak* bird still sings this song-

'Daughter Satto, the *mahuas* were in proper quantity...'

According to the passage, What kind of tale is the translated story?

1. Fairy tale
2. Modern tale
3. Age-old tale
4. Disney tale

**Options :**

485584135801. 1

485584135802. 2

485584135803. 3

485584135804. 4

**Question Number : 7 Question Id : 48558433952 Question Type : MCQ Option Shuffling : No Is Question Mandatory :**

**No Calculator : None Response Time : N.A Think Time : N.A Minimum Instruction Time : 0**

**Correct Marks : 5 Wrong Marks : 1**

**Question Key Details :**

Key	Value
Comprehension	Comp2

Read the passage and answer the question:

This is an age-old tale. A mother and her daughter Satto, lived in a village. During that time, the forests were full of fruits and flowers. The women and girls of the village used to go and pluck these fruits and flowers. All of them used to pluck the sweet flowers of the *mahua* (*Bassia Latifolia*) tree, stored them at home and consumed them later.

One day, all of them plucked the sweet flowers and kept them in their rooms without drying them. Satto's mother was not at home. Satto dried the sweet flowers. As the flowers dried, they shrunk. Later on when Satto's mother came home, she found very little flowers and thought that either Satto had eaten the flowers or she had given them to the village girls. In her blind rage, she beat her daughter to death. The women and girls of the village told her that she killed her daughter for such a trivial issue. They asked her to soak the flowers in water. When she soaked the *mahuas*, they swelled up and the entire room was filled with the flowers. Satto's mother was full of remorse. She regretted the fact that she killed her daughter without thinking. She died because of grief.

She was reborn as the *pandak* bird. The *pandak* bird still sings this song-

'Daughter Satto, the *mahuas* were in proper quantity...'

The antonym of the word 'remorse' is:

1. Regret
2. Rejoice
3. Repentance
4. Grief

**Options :**

- 485584135805. 1
- 485584135806. 2
- 485584135807. 3
- 485584135808. 4

**Question Number : 8 Question Id : 48558433953 Question Type : MCQ Option Shuffling : No Is Question Mandatory : No Calculator : None Response Time : N.A Think Time : N.A Minimum Instruction Time : 0**

**Correct Marks : 5 Wrong Marks : 1**

**Question Key Details :**

Key	Value
Comprehension	Comp2



Read the passage and answer the question:

This is an age-old tale. A mother and her daughter Satto, lived in a village. During that time, the forests were full of fruits and flowers. The women and girls of the village used to go and pluck these fruits and flowers. All of them used to pluck the sweet flowers of the *mahua* (*Bassia Latifolia*) tree, stored them at home and consumed them later.

One day, all of them plucked the sweet flowers and kept them in their rooms without drying them. Satto's mother was not at home. Satto dried the sweet flowers. As the flowers dried, they shrunk. Later on when Satto's mother came home, she found very little flowers and thought that either Satto had eaten the flowers or she had given them to the village girls. In her blind rage, she beat her daughter to death. The women and girls of the village told her that she killed her daughter for such a trivial issue. They asked her to soak the flowers in water. When she soaked the *mahuas*, they swelled up and the entire room was filled with the flowers. Satto's mother was full of remorse. She regretted the fact that she killed her daughter without thinking. She died because of grief.

She was reborn as the *pandak* bird. The *pandak* bird still sings this song-

'Daughter Satto, the *mahuas* were in proper quantity...'

As per the given passage, what was the mother reborn as?

1. an animal
2. a man
3. a woman
4. a bird

**Options :**

485584135809. 1  
485584135810. 2  
485584135811. 3  
485584135812. 4

**Question Number : 9 Question Id : 48558433954 Question Type : MCQ Option Shuffling : No Is Question Mandatory : No Calculator : None Response Time : N.A Think Time : N.A Minimum Instruction Time : 0**

**Correct Marks : 5 Wrong Marks : 1**

**Question Key Details :**

Key	Value
Comprehension	Comp2

Read the passage and answer the question:

This is an age-old tale. A mother and her daughter Satto, lived in a village. During that time, the forests were full of fruits and flowers. The women and girls of the village used to go and pluck these fruits and flowers. All of them used to pluck the sweet flowers of the *mahua* (*Bassia Latifolia*) tree, stored them at home and consumed them later.

One day, all of them plucked the sweet flowers and kept them in their rooms without drying them. Satto's mother was not at home. Satto dried the sweet flowers. As the flowers dried, they shrunk. Later on when Satto's mother came home, she found very little flowers and thought that either Satto had eaten the flowers or she had given them to the village girls. In her blind rage, she beat her daughter to death. The women and girls of the village told her that she killed her daughter for such a trivial issue. They asked her to soak the flowers in water. When she soaked the *mahuas*, they swelled up and the entire room was filled with the flowers. Satto's mother was full of remorse. She regretted the fact that she killed her daughter without thinking. She died because of grief.

She was reborn as the *pandak* bird. The *pandak* bird still sings this song-

'Daughter Satto, the *mahuas* were in proper quantity...'

Why did the mother beat the daughter to death?

1. Because she went to pluck fruits and flowers without telling her.
2. Because Satto did not dry the flowers.
3. Because she thought Satto had eaten the flowers or given them to the village girls.
4. Because she was evil.

**Options :**

- 485584135813. 1
- 485584135814. 2
- 485584135815. 3
- 485584135816. 4

**Question Number : 10 Question Id : 48558433955 Question Type : MCQ Option Shuffling : No Is Question Mandatory : No Calculator : None Response Time : N.A Think Time : N.A Minimum Instruction Time : 0**

**Correct Marks : 5 Wrong Marks : 1**

**Question Key Details :**

Key	Value
Comprehension	Comp2

Read the passage and answer the question:

This is an age-old tale. A mother and her daughter Satto, lived in a village. During that time, the forests were full of fruits and flowers. The women and girls of the village used to go and pluck these fruits and flowers. All of them used to pluck the sweet flowers of the *mahua* (*Bassia Latifolia*) tree, stored them at home and consumed them later.

One day, all of them plucked the sweet flowers and kept them in their rooms without drying them. Satto's mother was not at home. Satto dried the sweet flowers. As the flowers dried, they shrunk. Later on when Satto's mother came home, she found very little flowers and thought that either Satto had eaten the flowers or she had given them to the village girls. In her blind rage, she beat her daughter to death. The women and girls of the village told her that she killed her daughter for such a trivial issue. They asked her to soak the flowers in water. When she soaked the *mahuas*, they swelled up and the entire room was filled with the flowers. Satto's mother was full of remorse. She regretted the fact that she killed her daughter without thinking. She died because of grief.

She was reborn as the *pandak* bird. The *pandak* bird still sings this song-

'Daughter Satto, the *mahuas* were in proper quantity...'

What happened Satto's mother soaked the flowers in water?

1. The entire room was filled with flowers as they soaked up
2. Satto came back to life
3. The flowers dissolved in water
4. The entire room was full of water

**Options :**

485584135817. 1

485584135818. 2

485584135819. 3

485584135820. 4

**Sub-Section Number :**

3

**Sub-Section Id :**

4855842508

**Question Shuffling Allowed :**

No

**Is Section Default? :**

null

**Question Number : 11 Question Id : 48558433956 Question Type : MCQ Option Shuffling : No Is Question Mandatory :**

**No Calculator : None Response Time : N.A Think Time : N.A Minimum Instruction Time : 0**

**Correct Marks : 5 Wrong Marks : 1**

**Question Key Details :**

Key	Value
Comprehension	Comp3

Once I was an archaeologist's assistant. I wandered up and down the country probing, exploring, and digging, in search of antiquities, a most interesting occupation, although cynics sometimes called us "grave-diggers." I enjoyed the work immensely. I had a master who was a famous archaeologist called Doctor something or other. He was superb, timeless being, who lived a thousand years behind the times, and who wanted neither food nor roof nor riches if only he was allowed to gaze on undisturbed at an old coin or chip of a burial urn.

He had torn up the earth in almost all parts of India and had brought to light very valuable information concerning the history and outlook of people of remote centuries. His monographs on each of his excavations filled several shelves in all the important libraries. And then, as our good fortune would have it, he received an inspiration that Malgudi district was eminently diggable. I am not competent to explain how he got this idea, but there it was. Word was brought to me that the great man was staying in the dak bungalow and was in need of an assistant. Within an hour of hearing it I stood before the great man. He was sitting on the floor with the most crazy collection of articles in front of him pots and beads and useless coins and palm leaves, all of them rusty and decaying. he had a lens by his side, through which he looked at these articles and made notes.

What does the branch of archaeology study?

1. Study of Soil
2. Study of past by excavating ground
3. Study of medicine
4. Study of minerals

**Options :**

- 485584135821. 1
- 485584135822. 2
- 485584135823. 3
- 485584135824. 4

**Question Number : 12 Question Id : 48558433957 Question Type : MCQ Option Shuffling : No Is Question Mandatory : No Calculator : None Response Time : N.A Think Time : N.A Minimum Instruction Time : 0**

**Correct Marks : 5 Wrong Marks : 1**

**Question Key Details :**

Key	Value
Comprehension	Comp3

Once I was an archaeologist's assistant. I wandered up and down the country probing, exploring, and digging, in search of antiquities, a most interesting occupation, although cynics sometimes called us "grave-diggers." I enjoyed the work immensely. I had a master who was a famous archaeologist called Doctor something or other. He was superb, timeless being, who lived a thousand years behind the times, and who wanted neither food nor roof nor riches if only he was allowed to gaze on undisturbed at an old coin or chip of a burial urn.

He had torn up the earth in almost all parts of India and had brought to light very valuable information concerning the history and outlook of people of remote centuries. His monographs on each of his excavations filled several shelves in all the important libraries. And then, as our good fortune would have it, he received an inspiration that Malgudi district was eminently diggable. I am not competent to explain how he got this idea, but there it was. Word was brought to me that the great man was staying in the dak bungalow and was in need of an assistant. Within an hour of hearing it I stood before the great man. He was sitting on the floor with the most crazy collection of articles in front of him pots and beads and useless coins and palm leaves, all of them rusty and decaying. he had a lens by his side, through which he looked at these articles and made notes.

Match List I with List II

LIST I		LIST II	
A.	The archaeologist had keen interest in	I.	all the important libraries
B.	The archaeologist was in need of	II.	almost all parts of India
C.	His monographs on excavations filled in	III.	old coin or chip of a burial urn
D.	The archaeologist had worked in	IV.	an assitant

Choose the correct answer from the options given below:

1. A-II, B-III, C-IV, D-I
2. A-III, B-IV, C-I, D-II
3. A-IV, B-III, C-II, D-I
4. A-I, B-III, C-II, D-IV

**Options :**

- 485584135825. 1
- 485584135826. 2
- 485584135827. 3
- 485584135828. 4

**Question Number : 13 Question Id : 48558433958 Question Type : MCQ Option Shuffling : No Is Question Mandatory : No Calculator : None Response Time : N.A Think Time : N.A Minimum Instruction Time : 0**

**Correct Marks : 5 Wrong Marks : 1**

**Question Key Details :**

Key	Value
Comprehension	Comp3

Once I was an archaeologist's assistant. I wandered up and down the country probing, exploring, and digging, in search of antiquities, a most interesting occupation, although cynics sometimes called us "grave-diggers." I enjoyed the work immensely. I had a master who was a famous archaeologist called Doctor something or other. He was superb, timeless being, who lived a thousand years behind the times, and who wanted neither food nor roof nor riches if only he was allowed to gaze on undisturbed at an old coin or chip of a burial urn.

He had torn up the earth in almost all parts of India and had brought to light very valuable information concerning the history and outlook of people of remote centuries. His monographs on each of his excavations filled several shelves in all the important libraries. And then, as our good fortune would have it, he received an inspiration that Malgudi district was eminently diggable. I am not competent to explain how he got this idea, but there it was. Word was brought to me that the great man was staying in the dark bungalow and was in need of an assistant. Within an hour of hearing it I stood before the great man. He was sitting on the floor with the most crazy collection of articles in front of him pots and beads and useless coins and palm leaves, all of them rusty and decaying. He had a lens by his side, through which he looked at these articles and made notes.

In which place did the archaeologist suddenly take interest?

1. Dark bungalow
2. Indian villages
3. Malgudi
4. Tamil Nadu

**Options :**

- 485584135829. 1
- 485584135830. 2
- 485584135831. 3
- 485584135832. 4

**Question Number : 14 Question Id : 48558433959 Question Type : MCQ Option Shuffling : No Is Question Mandatory : No Calculator : None Response Time : N.A Think Time : N.A Minimum Instruction Time : 0**

**Correct Marks : 5 Wrong Marks : 1**

**Question Key Details :**

Key	Value
Comprehension	Comp3

Once I was an archaeologist's assistant. I wandered up and down the country probing, exploring, and digging, in search of antiquities, a most interesting occupation, although cynics sometimes called us "grave-diggers." I enjoyed the work immensely. I had a master who was a famous archaeologist called Doctor something or other. He was superb, timeless being, who lived a thousand years behind the times, and who wanted neither food nor roof nor riches if only he was allowed to gaze on undisturbed at an old coin or chip of a burial urn.

He had torn up the earth in almost all parts of India and had brought to light very valuable information concerning the history and outlook of people of remote centuries. His monographs on each of his excavations filled several shelves in all the important libraries. And then, as our good fortune would have it, he received an inspiration that Malgudi district was eminently diggable. I am not competent to explain how he got this idea, but there it was. Word was brought to me that the great man was staying in the dak bungalow and was in need of an assistant. Within an hour of hearing it I stood before the great man. He was sitting on the floor with the most crazy collection of articles in front of him pots and beads and useless coins and palm leaves, all of them rusty and decaying. he had a lens by his side, through which he looked at these articles and made notes.

How do cynics called archaeologists 'grave-diggers'?

1. Mockingly
2. Proudly
3. Admirably
4. Sincerely

**Options :**

- 485584135833. 1
- 485584135834. 2
- 485584135835. 3
- 485584135836. 4

**Question Number : 15 Question Id : 48558433960 Question Type : MCQ Option Shuffling : No Is Question Mandatory : No Calculator : None Response Time : N.A Think Time : N.A Minimum Instruction Time : 0**

**Correct Marks : 5 Wrong Marks : 1**

**Question Key Details :**

Key	Value
Comprehension	Comp3

Once I was an archaeologist's assistant. I wandered up and down the country probing, exploring, and digging, in search of antiquities, a most interesting occupation, although cynics sometimes called us "grave-diggers." I enjoyed the work immensely. I had a master who was a famous archaeologist called Doctor something or other. He was superb, timeless being, who lived a thousand years behind the times, and who wanted neither food nor roof nor riches if only he was allowed to gaze on undisturbed at an old coin or chip of a burial urn.

He had torn up the earth in almost all parts of India and had brought to light very valuable information concerning the history and outlook of people of remote centuries. His monographs on each of his excavations filled several shelves in all the important libraries. And then, as our good fortune would have it, he received an inspiration that Malgudi district was eminently diggable. I am not competent to explain how he got this idea, but there it was. Word was brought to me that the great man was staying in the dak bungalow and was in need of an assistant. Within an hour of hearing it I stood before the great man. He was sitting on the floor with the most crazy collection of articles in front of him pots and beads and useless coins and palm leaves, all of them rusty and decaying. he had a lens by his side, through which he looked at these articles and made notes.

How do you know the archaeologist is an eminent figure?

1. He looked at old artifacts
2. His important monographs are in all reputed libraries
3. He needs an assistant
4. He used lens to inspect articles

**Options :**

- 485584135837. 1
- 485584135838. 2
- 485584135839. 3
- 485584135840. 4

**Sub-Section Number :** 4  
**Sub-Section Id :** 4855842509  
**Question Shuffling Allowed :** Yes  
**Is Section Default? :** null

**Question Number : 16 Question Id : 48558433961 Question Type : MCQ Option Shuffling : No Is Question Mandatory : No Calculator : None Response Time : N.A Think Time : N.A Minimum Instruction Time : 0**

**Correct Marks : 5 Wrong Marks : 1**

**Question Key Details :**

Key	Value
Comprehension	MCQ



Convert the following sentence in Passive Voice by choosing the appropriate answer from the given list.

The soldiers promptly obeyed his command.

1. The command should be obeyed might now, soldiers.
2. The command was promptly obeyed by the soldiers.
3. Obey the command promptly soldiers!
4. The command is promptly obeyed by the soldiers.

**Options :**

- 485584135841. 1
- 485584135842. 2
- 485584135843. 3
- 485584135844. 4

**Question Number : 17 Question Id : 48558433962 Question Type : MCQ Option Shuffling : No Is Question Mandatory : No Calculator : None Response Time : N.A Think Time : N.A Minimum Instruction Time : 0**

**Correct Marks : 5 Wrong Marks : 1**

**Question Key Details :**

Key	Value
Comprehension	MCQ

Change the following Passive Voice to Active Voice by choosing the right answer from the given list.

'Somebody has invited them to lunch tomorrow'.

1. They have been invited to lunch by somebody tomorrow
2. They will go to lunch somebody's house the following day.
3. They have been invited to lunch tomorrow
4. They will be invited to lunch the next day.

**Options :**

- 485584135845. 1
- 485584135846. 2
- 485584135847. 3
- 485584135848. 4

**Question Number : 18 Question Id : 48558433963 Question Type : MCQ Option Shuffling : No Is Question Mandatory : No Calculator : None Response Time : N.A Think Time : N.A Minimum Instruction Time : 0**

**Correct Marks : 5 Wrong Marks : 1**

**Question Key Details :**

Key	Value
Comprehension	MCQ

Fill in the blank with an appropriate question tag:

Let's go to the beach, \_\_\_\_\_?

1. Can we?
2. Should we?
3. Can't we?
4. Shall we?

**Options :**

- 485584135849. 1
- 485584135850. 2
- 485584135851. 3
- 485584135852. 4

**Question Number : 19 Question Id : 48558433964 Question Type : MCQ Option Shuffling : No Is Question Mandatory : No Calculator : None Response Time : N.A Think Time : N.A Minimum Instruction Time : 0**

**Correct Marks : 5 Wrong Marks : 1**

**Question Key Details :**

Key	Value
Comprehension	MCQ

From the given options, choose the appropriate meaning of the following phrase.

"AB INITIO".

1. at the end
2. from the beginning
3. to go to the gym
4. entry into a cult

**Options :**

- 485584135853. 1
- 485584135854. 2
- 485584135855. 3
- 485584135856. 4

**Question Number : 20 Question Id : 48558433965 Question Type : MCQ Option Shuffling : No Is Question Mandatory : No Calculator : None Response Time : N.A Think Time : N.A Minimum Instruction Time : 0**

**Correct Marks : 5 Wrong Marks : 1**

**Question Key Details :**

Key	Value
Comprehension	MCQ

From the given options, choose the meaning for the given foreign word:

"MAGNUM OPUS"

1. Masterpiece
2. the worst opponent
3. dark chocolate
4. posterity

**Options :**

485584135857. 1  
485584135858. 2  
485584135859. 3  
485584135860. 4

**Question Number : 21 Question Id : 48558433966 Question Type : MCQ Option Shuffling : No Is Question Mandatory : No Calculator : None Response Time : N.A Think Time : N.A Minimum Instruction Time : 0**

**Correct Marks : 5 Wrong Marks : 1**

**Question Key Details :**

Key	Value
Comprehension	MCQ

Choose the option that demonstrates the most appropriate use of articles

1. The Secretary and a Treasurer are absent
2. The Secretary and the Treasurer are absent
3. Secretary and Treasurer are absent
4. The Secretary and Treasurer are absent

**Options :**

485584135861. 1  
485584135862. 2  
485584135863. 3  
485584135864. 4

**Question Number : 22 Question Id : 48558433967 Question Type : MCQ Option Shuffling : No Is Question Mandatory : No Calculator : None Response Time : N.A Think Time : N.A Minimum Instruction Time : 0**

**Correct Marks : 5 Wrong Marks : 1**

**Question Key Details :**

Key	Value
Comprehension	MCQ

Fill in the blank with an appropriate Article.

I am subscribed \_\_\_\_\_ the New York Times journal.

1. with
2. for
3. from
4. to

**Options :**

- 485584135865. 1
- 485584135866. 2
- 485584135867. 3
- 485584135868. 4

**Question Number : 23 Question Id : 48558433968 Question Type : MCQ Option Shuffling : No Is Question Mandatory : No Calculator : None Response Time : N.A Think Time : N.A Minimum Instruction Time : 0**

**Correct Marks : 5 Wrong Marks : 1**

**Question Key Details :**

Key	Value
Comprehension	MCQ

From the given options, choose the most appropriate meaning of the word:

"CARTOGRAPHER"

1. one who draws maps
2. study of fossils
3. one who collects stamps
4. a number of cases

**Options :**

- 485584135869. 1
- 485584135870. 2
- 485584135871. 3
- 485584135872. 4

**Question Number : 24 Question Id : 48558433969 Question Type : MCQ Option Shuffling : No Is Question Mandatory : No Calculator : None Response Time : N.A Think Time : N.A Minimum Instruction Time : 0**

**Correct Marks : 5 Wrong Marks : 1**

**Question Key Details :**

Key	Value
Comprehension	MCQ

Match the words in List I with their appropriate Synonyms in List II

LIST I		LIST II	
A.	Mortuary	I.	Home for the destitute
B.	Cantonment	II.	A place where money is coined
C.	Mint	III.	A place where dead bodies are temporarily kept
D.	Asylum	IV.	A place where soldiers are quartered

Choose the correct answer from the options given below:

1. A-II, B-III, C-IV, D-I
2. A-IV, B-II, C-III, D-I
3. A-III, B-IV, C-I, D-II
4. A-III, B-IV, C-II, D-I

**Options :**

485584135873. 1  
485584135874. 2  
485584135875. 3  
485584135876. 4

**Question Number : 25 Question Id : 48558433970 Question Type : MCQ Option Shuffling : No Is Question Mandatory : No Calculator : None Response Time : N.A Think Time : N.A Minimum Instruction Time : 0**

**Correct Marks : 5 Wrong Marks : 1**

**Question Key Details :**

Key	Value
Comprehension	MCQ

Arrange the following headings of a formal letter in the correct order.

- A. Sender's address
- B. Salutation
- C. Receiver's address
- D. Subject
- E. Date

Choose the correct answer from the options given below:

1. B, A, C, E, D
2. E, D, C, A, B
3. A, B, C, D, E
4. A, E, C, D, B

**Options :**

485584135877. 1  
485584135878. 2  
485584135879. 3

**Question Number : 26 Question Id : 48558433971 Question Type : MCQ Option Shuffling : No Is Question Mandatory : No Calculator : None Response Time : N.A Think Time : N.A Minimum Instruction Time : 0**

**Correct Marks : 5 Wrong Marks : 1**

**Question Key Details :**

Key	Value
Comprehension	MCQ

Complete the given sentence by rearranging the jumbled phrases and form a coherent sentences. Choose the most appropriate option.

The lender's public meeting was disrupted.

P. by a section of the audience

Q. any firm assurance

R. he had not given them

S. who felt that

1. P, S, R, Q

2. Q, P, S, R

3. R, Q, P, S

4. S, R, Q, P

**Options :**

485584135881. 1

485584135882. 2

485584135883. 3

485584135884. 4

**Question Number : 27 Question Id : 48558433972 Question Type : MCQ Option Shuffling : No Is Question Mandatory : No Calculator : None Response Time : N.A Think Time : N.A Minimum Instruction Time : 0**

**Correct Marks : 5 Wrong Marks : 1**

**Question Key Details :**

Key	Value
Comprehension	MCQ

Choosing the most appropriate answer from the given list. Convert the following sentence in Direct Speech to Indirect Speech.

"I am guilty", the defended said.

1. The defendant admitted that he was guilty

2. The defendant accepted his guilt

3. The defendant said yes he was guilty

4. The guilty defendant accepted his fault

**Options :**

- 485584135885. 1
- 485584135886. 2
- 485584135887. 3
- 485584135888. 4

**Question Number : 28 Question Id : 48558433973 Question Type : MCQ Option Shuffling : No Is Question Mandatory : No Calculator : None Response Time : N.A Think Time : N.A Minimum Instruction Time : 0**

**Correct Marks : 5 Wrong Marks : 1**

**Question Key Details :**

Key	Value
Comprehension	MCQ

Choosing the most appropriate answer from the given list, convert the following sentence in Indirect speech to Direct speech.

I asked Sara whether Bill had given her that ring.

1. "Did Bill willing to give that ring?", "I asked Sara.
2. "Did Bill give you that ring?", I asked Sara.
3. "Can Bill give you a ring?", I asked Sara.
4. "Should Bill give you rings?", I asked Sara.

**Options :**

- 485584135889. 1
- 485584135890. 2
- 485584135891. 3
- 485584135892. 4

**Question Number : 29 Question Id : 48558433974 Question Type : MCQ Option Shuffling : No Is Question Mandatory : No Calculator : None Response Time : N.A Think Time : N.A Minimum Instruction Time : 0**

**Correct Marks : 5 Wrong Marks : 1**

**Question Key Details :**

Key	Value
Comprehension	MCQ

Convert the following Exclamatory Sentence to Assertive Sentence:

What a Lovely House!

1. Oh! What a lovely house!
2. The house that I am looking at is very lonely
3. It was a very lovely house indeed
4. What a lovely house am I looking at

**Options :**

- 485584135893. 1
- 485584135894. 2

485584135895. 3

485584135896. 4

**Question Number : 30 Question Id : 48558433975 Question Type : MCQ Option Shuffling : No Is Question Mandatory : No Calculator : None Response Time : N.A Think Time : N.A Minimum Instruction Time : 0**

**Correct Marks : 5 Wrong Marks : 1**

**Question Key Details :**

Key	Value
Comprehension	MCQ

Fill in the blanks with the appropriate pair of Homonyms:

I heard an \_\_\_\_\_ when I was going to the tailor for \_\_\_\_\_.

1. alteration, altercation
2. altercation, alteration
3. alternative, alteration
4. alternative, altercation

**Options :**

485584135897. 1

485584135898. 2

485584135899. 3

485584135900. 4

**Question Number : 31 Question Id : 48558433976 Question Type : MCQ Option Shuffling : No Is Question Mandatory : No Calculator : None Response Time : N.A Think Time : N.A Minimum Instruction Time : 0**

**Correct Marks : 5 Wrong Marks : 1**

**Question Key Details :**

Key	Value
Comprehension	MCQ

Arrange the following sentence in the proper order:

- A. for total destruction
- B. However, whether we have the capacity
- C. Remains debated
- D. through nuclear annihilation or such

Choose the correct answer from the options given below:

1. C, A, D, B
2. A, B, C, D
3. B, A, D, C
4. D, C, B, A

**Options :**

485584135901. 1

485584135902. 2



485584135903. 3

485584135904. 4

**Question Number : 32 Question Id : 48558433977 Question Type : MCQ Option Shuffling : No Is Question Mandatory : No Calculator : None Response Time : N.A Think Time : N.A Minimum Instruction Time : 0**

**Correct Marks : 5 Wrong Marks : 1**

**Question Key Details :**

Key	Value
Comprehension	MCQ

Choose the best option to convert the given Assertive Sentence into Exclamatory Sentence:

I wish I knew more people here.

1. If only I knew more people here!
2. What a pity to have known more people here.
3. Oh! Fie! I know nobody here.
4. Alas! I could have known more people here.

**Options :**

485584135905. 1

485584135906. 2

485584135907. 3

485584135908. 4

**Question Number : 33 Question Id : 48558433978 Question Type : MCQ Option Shuffling : No Is Question Mandatory : No Calculator : None Response Time : N.A Think Time : N.A Minimum Instruction Time : 0**

**Correct Marks : 5 Wrong Marks : 1**

**Question Key Details :**

Key	Value
Comprehension	MCQ

Fill in the appropriate modals in List I with the sentences given in List II

LIST I		LIST II	
A.	How _____ you shout at your best friend?	I.	can
B.	_____ we go to the beach then?	II.	should
C.	No one _____ question the ways of God	III.	shall
D.	We _____ respect our elders	IV.	could

Choose the correct answer from the options given below:

1. A-I, B-IV, C-III, D-II
2. A-II, B-III, C-I, D-IV
3. A-IV, B-III, C-I, D-II
4. A-III, B-II, C-I, D-IV

**Options :**

- 485584135909. 1
- 485584135910. 2
- 485584135911. 3
- 485584135912. 4

**Question Number : 34 Question Id : 48558433979 Question Type : MCQ Option Shuffling : No Is Question Mandatory : No Calculator : None Response Time : N.A Think Time : N.A Minimum Instruction Time : 0**

**Correct Marks : 5 Wrong Marks : 1**

**Question Key Details :**

Key	Value
Comprehension	MCQ

Fill in the blank with a proper modal so that the sentence sounds like a promise.

I \_\_\_\_\_ help you.

- 1. might
- 2. shouldn't
- 3. can
- 4. will

**Options :**

- 485584135913. 1
- 485584135914. 2
- 485584135915. 3
- 485584135916. 4

**Question Number : 35 Question Id : 48558433980 Question Type : MCQ Option Shuffling : No Is Question Mandatory : No Calculator : None Response Time : N.A Think Time : N.A Minimum Instruction Time : 0**

**Correct Marks : 5 Wrong Marks : 1**

**Question Key Details :**

Key	Value
Comprehension	MCQ

Identify the Adjective Clause in the following sentence.

"The spot where the battle was fought is unknown".

- 1. The spot where
- 2. where the battle was fought
- 3. The spot where the battle was fought
- 4. the battle was

**Options :**

- 485584135917. 1
- 485584135918. 2
- 485584135919. 3
- 485584135920. 4

**Question Number : 36 Question Id : 48558433981 Question Type : MCQ Option Shuffling : No Is Question Mandatory : No Calculator : None Response Time : N.A Think Time : N.A Minimum Instruction Time : 0**

**Correct Marks : 5 Wrong Marks : 1**

**Question Key Details :**

Key	Value
Comprehension	MCQ

Identify the error in the following sentence.

Each girl and each boy was given a red pencil.

1. Each girl and each boy
2. was given
3. a red pencil
4. No error

**Options :**

- 485584135921. 1
- 485584135922. 2
- 485584135923. 3
- 485584135924. 4

**Question Number : 37 Question Id : 48558433982 Question Type : MCQ Option Shuffling : No Is Question Mandatory : No Calculator : None Response Time : N.A Think Time : N.A Minimum Instruction Time : 0**

**Correct Marks : 5 Wrong Marks : 1**

**Question Key Details :**

Key	Value
Comprehension	MCQ

Identify the error in the following sentence.

He was not able to concentrate because of the continual music being played next door.

1. He was not able to concentrate
2. because of the continual music
3. being played next door
4. No error

**Options :**

- 485584135925. 1
- 485584135926. 2
- 485584135927. 3
- 485584135928. 4

**Question Number : 38 Question Id : 48558433983 Question Type : MCQ Option Shuffling : No Is Question Mandatory : No Calculator : None Response Time : N.A Think Time : N.A Minimum Instruction Time : 0**

**Correct Marks : 5 Wrong Marks : 1**

**Question Key Details :**

<b>Key</b>	<b>Value</b>
Comprehension	MCQ

Match List I with List II : Words with their antonyms

LIST I		LIST II	
Words		Antonyms	
A.	Meticulous	I.	Neglect
B.	Abrupt	II.	Active
C.	Nurse	III.	Careless
D.	Ennui	IV.	Gradual

Choose the correct answer from the options given below:

1. A-I, B-II, C-III, D-IV
2. A-III, B-IV, C-I, D-II
3. A-II, B-I, C-IV, D-III
4. A-IV, B-II, C-III, D-I

**Options :**

485584135929. 1  
 485584135930. 2  
 485584135931. 3  
 485584135932. 4

**Question Number : 39 Question Id : 48558433984 Question Type : MCQ Option Shuffling : No Is Question Mandatory : No Calculator : None Response Time : N.A Think Time : N.A Minimum Instruction Time : 0**

**Correct Marks : 5 Wrong Marks : 1**

**Question Key Details :**

<b>Key</b>	<b>Value</b>
Comprehension	MCQ

Choose the appropriate Antonym for the following word from the given list.

"ADRIOT"

1. Negate
2. Chumsy
3. Posture
4. Skillfull

**Options :**

485584135933. 1  
 485584135934. 2  
 485584135935. 3  
 485584135936. 4

**Question Number : 40 Question Id : 48558433985 Question Type : MCQ Option Shuffling : No Is Question Mandatory : No Calculator : None Response Time : N.A Think Time : N.A Minimum Instruction Time : 0**

**Correct Marks : 5 Wrong Marks : 1**

**Question Key Details :**

Key	Value
Comprehension	MCQ

Arrange the following sentence in the correct order.

- A. how efficient an administrator
- B. all days long
- C. The courtiers need to tell the king
- D. he was

Choose the correct answer from the options given below:

- 1. C, A, D, B
- 2. B, C, A, D
- 3. D, A, B, C
- 4. A, B, C, D

**Options :**

- 485584135937. 1
- 485584135938. 2
- 485584135939. 3
- 485584135940. 4

**Question Number : 41 Question Id : 48558433986 Question Type : MCQ Option Shuffling : No Is Question Mandatory : No Calculator : None Response Time : N.A Think Time : N.A Minimum Instruction Time : 0**

**Correct Marks : 5 Wrong Marks : 1**

**Question Key Details :**

Key	Value
Comprehension	MCQ

Fill in the blank with an appropriate preposition in the following sentence.

The boy fell \_\_\_\_\_ the roof.

- 1. under
- 2. off
- 3. of
- 4. since

**Options :**

- 485584135941. 1
- 485584135942. 2
- 485584135943. 3
- 485584135944. 4

**Question Number : 42 Question Id : 48558433987 Question Type : MCQ Option Shuffling : No Is Question Mandatory : No Calculator : None Response Time : N.A Think Time : N.A Minimum Instruction Time : 0**

**Correct Marks : 5 Wrong Marks : 1**

**Question Key Details :**

Key	Value
Comprehension	MCQ

Fill in the blanks with the correct pair of preposition in the given sentence.

They lived \_\_\_\_\_ Gohana, a small town \_\_\_\_\_ Haryana.

1. at, in
2. in, from
3. at, from
4. in, at

**Options :**

- 485584135945. 1
- 485584135946. 2
- 485584135947. 3
- 485584135948. 4

**Question Number : 43 Question Id : 48558433988 Question Type : MCQ Option Shuffling : No Is Question Mandatory : No Calculator : None Response Time : N.A Think Time : N.A Minimum Instruction Time : 0**

**Correct Marks : 5 Wrong Marks : 1**

**Question Key Details :**

Key	Value
Comprehension	MCQ

Choose the sentence with the correct use of the idiom/phrase from the given list:

1. His son put off a blind eye prank
2. He turned a blind eye to his son's prank
3. His father's blind eye turned at his prank
4. He turned blind to his son's prank

**Options :**

- 485584135949. 1
- 485584135950. 2
- 485584135951. 3
- 485584135952. 4

**Question Number : 44 Question Id : 48558433989 Question Type : MCQ Option Shuffling : No Is Question Mandatory : No Calculator : None Response Time : N.A Think Time : N.A Minimum Instruction Time : 0**

**Correct Marks : 5 Wrong Marks : 1**

**Question Key Details :**

Key	Value
Comprehension	MCQ

Match the idioms/phrases in List I with its meaning in List II

LIST I		LIST II	
A.	murder in cold blood	I.	to be in trouble
B.	go places	II.	murder ruthlessly
C.	A fly in the ointment	III.	a problem in a situation
D.	in the soup	IV.	be successful

Choose the correct answer from the options given below:

1. A-I, B-III, C-IV, D-II
2. A-IV, B-III, C-I, D-II
3. A-III, B-II, C-I, D-IV
4. A-II, B-IV, C-III, D-I

**Options :**

485584135953. 1  
485584135954. 2  
485584135955. 3  
485584135956. 4

**Question Number : 45 Question Id : 48558433990 Question Type : MCQ Option Shuffling : No Is Question Mandatory : No Calculator : None Response Time : N.A Think Time : N.A Minimum Instruction Time : 0**

**Correct Marks : 5 Wrong Marks : 1**

**Question Key Details :**

Key	Value
Comprehension	MCQ

Fill in the blanks with the most appropriate phrasal verb from the alternatives given under the sentence.

In her old age she has no one to \_\_\_\_\_ her.

1. Look at
2. Look after
3. Look for
4. Look ones

**Options :**

485584135957. 1  
485584135958. 2  
485584135959. 3  
485584135960. 4

**Question Number : 46 Question Id : 48558433991 Question Type : MCQ Option Shuffling : No Is Question Mandatory : No Calculator : None Response Time : N.A Think Time : N.A Minimum Instruction Time : 0**

**Correct Marks : 5 Wrong Marks : 1**

**Question Key Details :**

Key	Value
Comprehension	MCQ

Fill in the blanks with the most suitable phrasal verb from the alternatives given under the sentence.

The college will \_\_\_\_\_ next week for summer vacation.

1. Break up
2. Open up
3. Close down
4. Shut up

**Options :**

- 485584135961. 1
- 485584135962. 2
- 485584135963. 3
- 485584135964. 4

**Question Number : 47 Question Id : 48558433992 Question Type : MCQ Option Shuffling : No Is Question Mandatory : No Calculator : None Response Time : N.A Think Time : N.A Minimum Instruction Time : 0**

**Correct Marks : 5 Wrong Marks : 1**

**Question Key Details :**

Key	Value
Comprehension	MCQ

Some part of the sentence is grammatically incorrect. Pick the error.

Another surprising change that I noticed in him in recent times is that he avoids to speak to me.

1. Another surprising change
2. that is noticed in him in recent time
3. is that he avoids
4. to speak to me

**Options :**

- 485584135965. 1
- 485584135966. 2
- 485584135967. 3
- 485584135968. 4

**Question Number : 48 Question Id : 48558433993 Question Type : MCQ Option Shuffling : No Is Question Mandatory : No Calculator : None Response Time : N.A Think Time : N.A Minimum Instruction Time : 0**

**Correct Marks : 5 Wrong Marks : 1**

**Question Key Details :**

Key	Value
Comprehension	MCQ



Identify the type of adverb in the following sentence.

"I therefore left my apartment".

1. Adverb of frequency
2. Adverb of manner
3. Adverb of reason
4. Adverb of Time

**Options :**

- 485584135969. 1
- 485584135970. 2
- 485584135971. 3
- 485584135972. 4

**Question Number : 49 Question Id : 48558433994 Question Type : MCQ Option Shuffling : No Is Question Mandatory : No Calculator : None Response Time : N.A Think Time : N.A Minimum Instruction Time : 0**

**Correct Marks : 5 Wrong Marks : 1**

**Question Key Details :**

Key	Value
Comprehension	MCQ

Fill in the blank with an appropriate adverb.

They have \_\_\_\_\_ faith in their Guru.

1. Fairly good
2. wholly
3. very
4. too much

**Options :**

- 485584135973. 1
- 485584135974. 2
- 485584135975. 3
- 485584135976. 4

**Question Number : 50 Question Id : 48558433995 Question Type : MCQ Option Shuffling : No Is Question Mandatory : No Calculator : None Response Time : N.A Think Time : N.A Minimum Instruction Time : 0**

**Correct Marks : 5 Wrong Marks : 1**

**Question Key Details :**

Key	Value
Comprehension	MCQ

Choose the salutation used in a formal letter from the given options.

1. yours lovingly
2. yours sincerely
3. yours truly
4. yours punctually

**Options :**

485584135977. 1  
485584135978. 2  
485584135979. 3  
485584135980. 4

## Hindi

<b>Group Number :</b>	2
<b>Group Id :</b>	485584769
<b>Group Maximum Duration :</b>	45
<b>Group Minimum Duration :</b>	45
<b>Show Attended Group? :</b>	No
<b>Edit Attended Group? :</b>	No
<b>Break time :</b>	0
<b>Group Marks :</b>	200
<b>Is this Group for Examiner? :</b>	No
<b>Examiner permission :</b>	Cant View
<b>Show Progress Bar? :</b>	No

## Hindi

<b>Section Id :</b>	485584887
<b>Section Number :</b>	1
<b>Section type :</b>	Online
<b>Mandatory or Optional :</b>	Mandatory
<b>Number of Questions :</b>	50
<b>Number of Questions to be attempted :</b>	40
<b>Section Marks :</b>	200
<b>Enable Mark as Answered Mark for Review and Clear Response :</b>	Yes
<b>Maximum Instruction Time :</b>	0
<b>Sub-Section Number :</b>	1
<b>Sub-Section Id :</b>	4855842510
<b>Question Shuffling Allowed :</b>	No
<b>Is Section Default? :</b>	null
<b>Sub-Section Number :</b>	2
<b>Sub-Section Id :</b>	4855842511
<b>Question Shuffling Allowed :</b>	No
<b>Is Section Default? :</b>	null
<b>Sub-Section Number :</b>	3
<b>Sub-Section Id :</b>	4855842512

Question Shuffling Allowed : No  
Is Section Default? : null  
Sub-Section Number : 4  
Sub-Section Id : 4855842513  
Question Shuffling Allowed : Yes  
Is Section Default? : null

## Odia

Group Number : 3  
Group Id : 485584770  
Group Maximum Duration : 45  
Group Minimum Duration : 45  
Show Attended Group? : No  
Edit Attended Group? : No  
Break time : 0  
Group Marks : 200  
Is this Group for Examiner? : No  
Examiner permission : Cant View  
Show Progress Bar? : No

## Odia

Section Id : 485584888  
Section Number : 1  
Section type : Online  
Mandatory or Optional : Mandatory  
Number of Questions : 50  
Number of Questions to be attempted : 40  
Section Marks : 200  
Enable Mark as Answered Mark for Review and Clear Response : Yes  
Maximum Instruction Time : 0  
Sub-Section Number : 1  
Sub-Section Id : 4855842514  
Question Shuffling Allowed : No  
Is Section Default? : null

Question Number : 51 Question Id : 48558434306 Question Type : MCQ Option Shuffling : No Is Question Mandatory :  
No Calculator : None Response Time : N.A Think Time : N.A Minimum Instruction Time : 0

Correct Marks : 5 Wrong Marks : 1

Question Key Details :

Key	Value
Comprehension	Comp1

ପୃଥ୍ବୀରେ ଯେତେ ଗୋଟି ରାଷ୍ଟ୍ର ଅଛନ୍ତି, ସମସ୍ତଙ୍କର ପ୍ରାକୃତିକ ସମ୍ପଦ ଭିନ୍ନ, ସମସ୍ତଙ୍କର ଭୌଗଳିକ ଅବସ୍ଥିତି ଭିନ୍ନ, ସମସ୍ତଙ୍କର ଜନସଂଖ୍ୟା ବି ଭିନ୍ନ, ଜଳବାୟୁ ଅନୁଯାୟୀ କାର୍ଯ୍ୟ କ୍ଷମତା ଭିନ୍ନ, ରାଜନୈତିକ ପରିସ୍ଥିତି ଭିନ୍ନ ଓ ଭିନ୍ନ ଭିନ୍ନଦେଶ ର ଆଭିମୁଖ୍ୟ ଭିନ୍ନ ଭିନ୍ନ। ତେଣୁ କୌଣସି ମାପଦଣ୍ଡ ନେଇ ତୁଳନା କରିବା ଏବଂ ତୁଳନାତ୍ମକ ସମାଧାନ ଖୋଜିବା ସଠିକ୍ ନୁହେଁ କାରଣ ଏହା ଗଣିତ ବିଜ୍ଞାନ ଭଳିଆ ସ୍ୱଳ୍ପ ଫଳ ଦେଇ ପାରିବ ନାହିଁ ବସ୍ତୁତା ଆଭିମୁଖ୍ୟ ଘେନି କୌଣସି ଏକ ଶିଳ୍ପାନୁଷ୍ଠାନ ରାଷ୍ଟ୍ରକୁ, ତେଣୁ ଆଦର୍ଶ ରୂପେ ଗ୍ରହଣ କରି ଅନୁସରଣ କରିବା ଦ୍ୱାରା ଆଉ ଗୋଟିଏ ରାଷ୍ଟ୍ରର ସୁସଂଯତ ବିକାଶ ଘଟାଇବା କଦାପି ସମ୍ଭବ ହେବ ନାହିଁ। ପରମ୍ପରା, ଜଳବାୟୁ ପ୍ରଭୃତି କ୍ଷେତ୍ରରେ ଏକ ନିଜସ୍ୱ ପ୍ରକୃତି ରହିଛି। ସେଥିପ୍ରତି ସଚେତନ ରହି ଏବଂ ଆନୁଷ୍ଠାନିକ ସତର୍କତା ଅବଲମ୍ବନ କରି ଯଦି ଗୋଟିଏ ଦେଶର ଜନସାଧାରଣ ଏକ ନିର୍ଦ୍ଦିଷ୍ଟ ଲକ୍ଷ୍ୟ ନେଇ କାର୍ଯ୍ୟ କରିବେ, ତାହା ହେଲେ ସେମାନଙ୍କ ଭବ୍ୟତା ନିଶ୍ଚୟ ଫଳବତୀ ହେବ। ସମାଜ ବିଜ୍ଞାନୀ ମାନଙ୍କ ଚେତାବନୀ କୁ ହୃଦଙ୍ଗମ କରିବାକୁ ହେଲେ ଯଦି ଗୋଟିଏ ଦେଶର ଜନନାୟକ ମାନେ ନିଜ ଦେଶର ସର୍ବାଙ୍ଗୀନ ପ୍ରଗତିକଳ୍ପେ ବୈଜ୍ଞାନିକ ମତ ନେଇ ବୈଜ୍ଞାନିକ ଗବେଷଣା ପ୍ରସୂତ ତଥ୍ୟର ବ୍ୟବହାରିକ ଉପଯୋଗ ଉପରେ କର୍ମତତ୍ତ୍ୱପୂର୍ଣ୍ଣ ହୁଅନ୍ତି, ତାହା ହେଲେ ସେଇ ଦେଶର ଜନସାଧାରଣ ନିଶ୍ଚିତ ଭାବରେ ପ୍ରଗତି ପଥରେ ଅଗ୍ରସର ହୋଇ ନିଜ ଜୀବନର ଆର୍ଥିକ, ସାମାଜିକ ମାନଦଣ୍ଡ ମାନଙ୍କର ଉନ୍ନତି ହେବ। ମାତ୍ର କୌଣସି ଲକ୍ଷ୍ୟ ନ ଥାଇ ଏବଂ ମାନବିକତା ବୋଧକୁ ଜଳାଞ୍ଜଳି ଦେଇ ଯଦି ଆମେ ପ୍ରଗତିର ପଥ ଖୋଜିବା ଓ ଦେଶକୁ ଶିଳ୍ପାନୁଷ୍ଠାନ କରିବା ପାଇଁ ବେପାର ବ୍ୟୟ ଭାବରେ ଯଦି ଅଗ୍ରସର ହେବା ତାହାହେଲେ ତାହାର ଦୁର୍ଗାମୀ ପରିଣାମ ହେବାର ସମ୍ଭାବନା ରହିଛି। ଆମକୁ ପ୍ରକୃତି ସହିତ ସାମଞ୍ଜସ୍ୟ ରଖି, ଜନମାନସର ସର୍ବାଙ୍ଗୀନ ବିକାଶକୁ ମଧ୍ୟ ମୁଖ୍ୟତା ଦେବାକୁ ହେବ। ଶିଳ୍ପ ସହିତ ରୋଜଗାର ଆଉ ଦେଶ ଦେଶରେ ଉତ୍ପୁଜ୍ଜୁତ୍ୱା କମ୍ପ୍ୟା ମାଲ୍ କେମିତି ଦେଶରେ ପ୍ରୟୋଗ ହୋଇ, ଉତ୍ପାଦିକତା କୁ ଚରମ ସୀମାରେ ପହଞ୍ଚାଇ ପାରିବ, ସେଇ ଦିଗରେ ଚେଷ୍ଟା କରିବା କଥା। ଆତ୍ମନିର୍ଭର ଆଡ଼କୁ ଧ୍ୟାନ ଦେଲେ ବିଦେଶରୁ ଆମଦାନୀରେ ବ୍ୟୟ ହେଉଥିବା ଅମୂଲ୍ୟ ଟଙ୍କାକୁ ସାଇତି ରଖିପାରିବା ଓ ରପ୍ତାନି ବୃଦ୍ଧି କରି ବିଦେଶୀ ମୁଦ୍ରା ଅର୍ଜିତ କରିପାରିବା, ନଚେତ ବଳାୟାନ ହେବା ପରିବର୍ତ୍ତେ ବିଜ୍ଞାନ ହିଁ ତାକୁ ତାର କ୍ରୀତବାସ ରୂପେ ରଖିବ।

ଜନସାଧାରଣଙ୍କ ଲକ୍ଷ୍ୟ ଫଳବତୀ କିପରି ହେବ?

ସଠିକ୍ ଉତ୍ତରକୁ ଚିହ୍ନଟ କରନ୍ତୁ।

1. ଅନ୍ୟ ରାଷ୍ଟ୍ରର ତୁଳନା କରି ତୁଳନାତ୍ମକ ସମାଧାନ ଖୋଜିବାରେ।
2. ବିଜ୍ଞାନ ଆଧାରିତ ବୈଜ୍ଞାନିକ ତଥ୍ୟକୁ ଏତେଇ ପ୍ରଗତି ପଥ ଖୋଜିଲେ।
3. ଜନସାଧାରଣ ସଚେତନ ହୋଇ, ଆନୁଷ୍ଠାନିକ ସତର୍କତା ଅବଲମ୍ବନ କରି, ଯଦି ଏକ ନିର୍ଦ୍ଦିଷ୍ଟ ଲକ୍ଷ୍ୟ ନେଇ କାର୍ଯ୍ୟ କରିବେ।
4. ଜନନେତା ଯାହା କୁହନ୍ତୁ ତାକୁ ଅନୁସରଣ କରିବେ।

**Options :**

- 485584137221. 1
- 485584137222. 2
- 485584137223. 3
- 485584137224. 4

**Question Number : 52 Question Id : 48558434307 Question Type : MCQ Option Shuffling : No Is Question Mandatory : No Calculator : None Response Time : N.A Think Time : N.A Minimum Instruction Time : 0**

**Correct Marks : 5 Wrong Marks : 1**

**Question Key Details :**

Key	Value
Comprehension	Comp1

ପୃଥ୍ବୀରେ ଯେତେ ଗୋଟି ରାଷ୍ଟ୍ର ଅଛନ୍ତି, ସମସ୍ତଙ୍କର ପ୍ରାକୃତିକ ସମ୍ପଦ ଭିନ୍ନ, ସମସ୍ତଙ୍କର ଭୌଗଳିକ ଅବସ୍ଥିତି ଭିନ୍ନ, ସମସ୍ତଙ୍କର ଜନସଂଖ୍ୟା ବି ଭିନ୍ନ, ଜଳବାୟୁ ଅନୁଯାୟୀ କାର୍ଯ୍ୟ କ୍ଷମତା ଭିନ୍ନ, ରାଜନୈତିକ ପରିସ୍ଥିତି ଭିନ୍ନ ଓ ଭିନ୍ନ ଭିନ୍ନଦେଶ ର ଆଭିମୁଖ୍ୟ ଭିନ୍ନ ଭିନ୍ନ। ତେଣୁ କୌଣସି ମାପଦଣ୍ଡ ନେଇ ତୁଳନା କରିବା ଏବଂ ତୁଳନାତ୍ମକ ସମାଧାନ ଖୋଜିବା ସଠିକ୍ ନୁହେଁ କାରଣ ଏହା ଗଣିତ ବିଜ୍ଞାନ ଭଳିଆ ସ୍ୱଳ୍ପ ଫଳ ଦେଇ ପାରିବ ନାହିଁ ବସ୍ତୁତା ଆଭିମୁଖ୍ୟ ଘେନି କୌଣସି ଏକ ଶିଳ୍ପୋନ୍ନତ ରାଷ୍ଟ୍ରକୁ, ତେଣୁ ଆଦର୍ଶ ରୂପେ ଗ୍ରହଣ କରି ଅନୁସରଣ କରିବା ଦ୍ୱାରା ଆଉ ଗୋଟିଏ ରାଷ୍ଟ୍ରର ସୁସଂଯତ ବିକାଶ ଘଟାଇବା କଦାପି ସମ୍ଭବ ହେବ ନାହିଁ। ପରମ୍ପରା, ଜଳବାୟୁ ପ୍ରଭୃତି କ୍ଷେତ୍ରରେ ଏକ ନିଜସ୍ୱ ପ୍ରକୃତି ରହିଛି। ସେଥିପ୍ରତି ସଚେତନ ରହି ଏବଂ ଆନୁଷ୍ଠାନିକ ସତର୍କତା ଅବଲମ୍ବନ କରି ଯଦି ଗୋଟିଏ ଦେଶର ଜନସାଧାରଣ ଏକ ନିର୍ଦ୍ଦିଷ୍ଟ ଲକ୍ଷ୍ୟ ନେଇ କାର୍ଯ୍ୟ କରିବେ, ତାହା ହେଲେ ସେମାନଙ୍କ ଭବ୍ୟତା ନିଶ୍ଚୟ ଫଳବତୀ ହେବ। ସମାଜ ବିଜ୍ଞାନୀ ମାନଙ୍କ ଚେତାବନୀ କୁ ହୃଦଙ୍ଗମ କରିବାକୁ ହେଲେ ଯଦି ଗୋଟିଏ ଦେଶର ଜନନାୟକ ମାନେ ନିଜ ଦେଶର ସର୍ବାଙ୍ଗୀନ ପ୍ରଗତିକଳ୍ପେ ବୈଜ୍ଞାନିକ ମତ ନେଇ ବୈଜ୍ଞାନିକ ଗବେଷଣା ପ୍ରସୂତ ତଥ୍ୟର ବ୍ୟବହାରିକ ଉପଯୋଗ ଉପରେ କର୍ମତତ୍ତ୍ୱପୂର୍ଣ୍ଣ ହୁଅନ୍ତି, ତାହା ହେଲେ ସେଇ ଦେଶର ଜନସାଧାରଣ ନିଶ୍ଚିତ ଭାବରେ ପ୍ରଗତି ପଥରେ ଅଗ୍ରସର ହୋଇ ନିଜ ଜୀବନର ଆର୍ଥିକ, ସାମାଜିକ ମାନଦଣ୍ଡ ମାନଙ୍କର ଉନ୍ନତି ହେବ। ମାତ୍ର କୌଣସି ଲକ୍ଷ୍ୟ ନ ଥାଇ ଏବଂ ମାନବିକତା ବୋଧକୁ ଜଳାଞ୍ଜଳି ଦେଇ ଯଦି ଆମେ ପ୍ରଗତିର ପଥ ଖୋଜିବା ଓ ଦେଶକୁ ଶିଳ୍ପୋନ୍ନତ କରିବା ପାଇଁ ବେପାର ବ୍ୟୟ ଭାବରେ ଯଦି ଅଗ୍ରସର ହେବା ତାହାହେଲେ ତାହାର ଦୁର୍ଗାମୀ ପରିଣାମ ହେବାର ସମ୍ଭାବନା ରହିଛି। ଆମକୁ ପ୍ରକୃତି ସହିତ ସାମଞ୍ଜସ୍ୟ ରଖି, ଜନମାନସର ସର୍ବାଙ୍ଗୀନ ବିକାଶକୁ ମଧ୍ୟ ମୁଖ୍ୟତା ଦେବାକୁ ହେବ। ଶିଳ୍ପ ସହିତ ରୋଜଗାର ଆଉ ଦେଶ ଦେଶରେ ଉତ୍ପୁଜ୍ଜ୍ୱଳ କକ୍ଷା ମାଲ୍ କେମିତି ଦେଶରେ ପ୍ରୟୋଗ ହୋଇ, ଉତ୍ପାଦିକତା କୁ ଚରମ ସୀମାରେ ପହଞ୍ଚାଇ ପାରିବ, ସେଇ ଦିଗରେ ଚେଷ୍ଟା କରିବା କଥା। ଆତ୍ମନିର୍ଭର ଆଡ଼କୁ ଧ୍ୟାନ ଦେଲେ ବିଦେଶରୁ ଆମଦାନୀରେ ବ୍ୟୟ ହେଉଥିବା ଅମୂଲ୍ୟ ଟଙ୍କାକୁ ସାଇତି ରଖିପାରିବା ଓ ରପ୍ତାନି ବୃଦ୍ଧି କରି ବିଦେଶୀ ମୁଦ୍ରା ଅର୍ଜିତ କରିପାରିବା, ନଚେତ ବଳାୟାନ ହେବା ପରିବର୍ତ୍ତେ ବିଜ୍ଞାନ ହିଁ ତାକୁ ତାର କ୍ରୀତବାସ ରୂପେ ରଖିବ।

ମନୁଷ୍ୟ କେଉଁ କର୍ମ ପାଇଁ ବିଜ୍ଞାନର କ୍ରୀତବାସ ହେବ।

ଅନୁଲେଖରୁ ସଠିକ୍ ଉତ୍ତରକୁ ଚିହ୍ନଟ କରି ଚିହ୍ନଟ କରନ୍ତୁ।

1. ବିଜ୍ଞାନର ସଦୃଶପ୍ରୟୋଗ କରି
2. ଦେଶର ଜନସଂଖ୍ୟା ତଥା ଜନ ସାଧାରଣଙ୍କ ହିତକୁ ଆଗରେ ରଖି
3. ବୈଜ୍ଞାନିକ ତଥ୍ୟ ଆଧାରିତ ପ୍ରଗତିକୁ ଜଳାଞ୍ଜଳି ଦେଇ, ପ୍ରକୃତି ସହିତ ଅସାମଞ୍ଜସ୍ୟ ପରିସ୍ଥିତି ସୃଷ୍ଟି କରି, ଆତ୍ମନିର୍ଭରତାକୁ ପ୍ରାଥମିକତା ନ ଦେଲେ
4. ଶିଳ୍ପୋନ୍ନତ ରାଷ୍ଟ୍ରକୁ ଆଖିବୁଜି ଅନୁକରଣ ନ କରି

**Options :**

- 485584137225. 1
- 485584137226. 2
- 485584137227. 3
- 485584137228. 4

**Question Number : 53 Question Id : 48558434308 Question Type : MCQ Option Shuffling : No Is Question Mandatory : No Calculator : None Response Time : N.A Think Time : N.A Minimum Instruction Time : 0**

**Correct Marks : 5 Wrong Marks : 1**

**Question Key Details :**

Key	Value
Comprehension	Comp1

ପୃଥିବୀରେ ଯେତେ ଗୋଟି ରାଷ୍ଟ୍ର ଅଛନ୍ତି, ସମସ୍ତଙ୍କର ପ୍ରାକୃତିକ ସମ୍ପଦ ଭିନ୍ନ, ସମସ୍ତଙ୍କର ଭୌଗଳିକ ଅବସ୍ଥିତି ଭିନ୍ନ, ସମସ୍ତଙ୍କର ଜନସଂଖ୍ୟା ବି ଭିନ୍ନ, ଜଳବାୟୁ ଅନୁଯାୟୀ କାର୍ଯ୍ୟ କ୍ଷମତା ଭିନ୍ନ, ରାଜନୈତିକ ପରିସ୍ଥିତି ଭିନ୍ନ ଓ ଭିନ୍ନ ଭିନ୍ନଦେଶ ର ଆଭିମୁଖ୍ୟ ଭିନ୍ନ ଭିନ୍ନ। ତେଣୁ କୌଣସି ମାପଦଣ୍ଡ ନେଇ ତୁଳନା କରିବା ଏବଂ ତୁଳନାତ୍ମକ ସମାଧାନ ଖୋଜିବା ସଠିକ୍ ନୁହେଁ କାରଣ ଏହା ଗଣିତ ବିଜ୍ଞାନ ଭଳିଆ ସ୍ୱଳ୍ପ ଫଳ ଦେଇ ପାରିବ ନାହିଁ ବସ୍ତୁତାତ୍ତ୍ୱ ଆଭିମୁଖ୍ୟ ଘେନି କୌଣସି ଏକ ଶିଳ୍ପାନୁକୂଳ ରାଷ୍ଟ୍ରକୁ, ତେଣୁ ଆଦର୍ଶ ରୂପେ ଗ୍ରହଣ କରି ଅନୁସରଣ କରିବା ଦ୍ୱାରା ଆଉ ଗୋଟିଏ ରାଷ୍ଟ୍ରର ସୁସଂଯତ ବିକାଶ ଘଟାଇବା କଦାପି ସମ୍ଭବ ହେବ ନାହିଁ। ପରମ୍ପରା, ଜଳବାୟୁ ପ୍ରଭୃତି କ୍ଷେତ୍ରରେ ଏକ ନିଜସ୍ୱ ପ୍ରକୃତି ରହିଛି। ସେଥିପ୍ରତି ସଚେତନ ରହି ଏବଂ ଆନୁଷ୍ଠାନିକ ସତର୍କତା ଅବଲମ୍ବନ କରି ଯଦି ଗୋଟିଏ ଦେଶର ଜନସାଧାରଣ ଏକ ନିର୍ଦ୍ଦିଷ୍ଟ ଲକ୍ଷ୍ୟ ନେଇ କାର୍ଯ୍ୟ କରିବେ, ତାହା ହେଲେ ସେମାନଙ୍କ ଭବ୍ୟତା ନିଶ୍ଚୟ ଫଳବତୀ ହେବ। ସମାଜ ବିଜ୍ଞାନୀ ମାନଙ୍କ ଚେତାବନୀ କୁ ହୃଦଙ୍ଗମ କରିବାକୁ ହେଲେ ଯଦି ଗୋଟିଏ ଦେଶର ଜନନାୟକ ମାନେ ନିଜ ଦେଶର ସର୍ବାଙ୍ଗୀନ ପ୍ରଗତିକଳ୍ପେ ବୈଜ୍ଞାନିକ ମତ ନେଇ ବୈଜ୍ଞାନିକ ଗବେଷଣା ପ୍ରସୂତ ତଥ୍ୟର ବ୍ୟବହାରିକ ଉପଯୋଗ ଉପରେ କର୍ମତତ୍ତ୍ୱପୂର୍ଣ୍ଣ ହୁଅନ୍ତି, ତାହା ହେଲେ ସେଇ ଦେଶର ଜନସାଧାରଣ ନିଶ୍ଚିତ ଭାବରେ ପ୍ରଗତି ପଥରେ ଅଗ୍ରସର ହୋଇ ନିଜ ଜୀବନର ଆର୍ଥିକ, ସାମାଜିକ ମାନଦଣ୍ଡ ମାନଙ୍କର ଉନ୍ନତି ହେବ। ମାତ୍ର କୌଣସି ଲକ୍ଷ୍ୟ ନ ଥାଇ ଏବଂ ମାନବିକତା ବୋଧକୁ ଜଳାଞ୍ଜଳି ଦେଇ ଯଦି ଆମେ ପ୍ରଗତିର ପଥ ଖୋଜିବା ଓ ଦେଶକୁ ଶିଳ୍ପାନୁକୂଳ କରିବା ପାଇଁ ବେପାର ବ୍ୟୟ ଭାବରେ ଯଦି ଅଗ୍ରସର ହେବା ତାହାହେଲେ ତାହାର ଦୁର୍ଗାମୀ ପରିଣାମ ହେବାର ସମ୍ଭାବନା ରହିଛି। ଆମକୁ ପ୍ରକୃତି ସହିତ ସାମଞ୍ଜସ୍ୟ ରଖି, ଜନମାନସର ସର୍ବାଙ୍ଗୀନ ବିକାଶକୁ ମଧ୍ୟ ମୁଖ୍ୟତା ଦେବାକୁ ହେବ। ଶିଳ୍ପ ସହିତ ରୋଜଗାର ଆଉ ଦେଶ ଦେଶରେ ଉତ୍ପୁଜ୍ଜୁତ୍ୱା କମ୍ପ୍ୟୁ ମାଲ୍ କେମିତି ଦେଶରେ ପ୍ରୟୋଗ ହୋଇ, ଉତ୍ପାଦିକତା କୁ ଚରମ ସୀମାରେ ପହଞ୍ଚାଇ ପାରିବ, ସେଇ ଦିଗରେ ଚେଷ୍ଟା କରିବା କଥା। ଆତ୍ମନିର୍ଭର ଆଡ଼କୁ ଧ୍ୟାନ ଦେଲେ ବିଦେଶରୁ ଆମଦାନୀରେ ବ୍ୟୟ ହେଉଥିବା ଅମୂଲ୍ୟ ଟଙ୍କାକୁ ସାଇତି ରଖିପାରିବା ଓ ରପ୍ତାନି ବୃଦ୍ଧି କରି ବିଦେଶୀ ମୁଦ୍ରା ଅର୍ଜିତ କରିପାରିବା, ନଚେତ ବଳାୟାନ ହେବା ପରିବର୍ତ୍ତେ ବିଜ୍ଞାନ ହିଁ ତାକୁ ତାର କ୍ରୀତବାସ ରୂପେ ରଖିବ।

ଆତ୍ମନିର୍ଭର କହିଲେ କାହାକୁ ବୁଝାଏ?

1. କେହି ଭୋକିଲା ଶୋଇବେ ନାହିଁ
2. କେହି ବେରୋଜଗାର ହେବେ ନାହିଁ
3. ଦେଶର ଜନସାଧାରଣକୁ ସରକାର ସମସ୍ତ ପ୍ରକାର ସୁବିଧା ଯୋଗାଇବା
4. ଦେଶରେ ଚାହିଦା ଓ ଉତ୍ପାଦନ ଆବଶ୍ୟକତା ପୂରଣ ପାଇଁ ଦେଶ ଭିତରେ ସର୍ବାଧିକ ବା ସମସ୍ତ ଉତ୍ପାଦନକୁ ଦେଶ ଭିତରେ ପ୍ରସ୍ତୁତ କରିବା

**Options :**

485584137229. 1  
 485584137230. 2  
 485584137231. 3  
 485584137232. 4

**Question Number : 54 Question Id : 48558434309 Question Type : MCQ Option Shuffling : No Is Question Mandatory : No Calculator : None Response Time : N.A Think Time : N.A Minimum Instruction Time : 0**

**Correct Marks : 5 Wrong Marks : 1**

**Question Key Details :**

Key	Value
Comprehension	Comp1

ପୃଥିବୀରେ ଯେତେ ଗୋଟି ରାଷ୍ଟ୍ର ଅଛନ୍ତି, ସମସ୍ତଙ୍କର ପ୍ରାକୃତିକ ସମ୍ପଦ ଭିନ୍ନ, ସମସ୍ତଙ୍କର ଭୌଗଳିକ ଅବସ୍ଥିତି ଭିନ୍ନ, ସମସ୍ତଙ୍କର ଜନସଂଖ୍ୟା ବି ଭିନ୍ନ, ଜଳବାୟୁ ଅନୁଯାୟୀ କାର୍ଯ୍ୟ କ୍ଷମତା ଭିନ୍ନ, ରାଜନୈତିକ ପରିସ୍ଥିତି ଭିନ୍ନ ଓ ଭିନ୍ନ ଭିନ୍ନଦେଶ ର ଆଭିମୁଖ୍ୟ ଭିନ୍ନ ଭିନ୍ନ। ତେଣୁ କୌଣସି ମାପଦଣ୍ଡ ନେଇ ତୁଳନା କରିବା ଏବଂ ତୁଳନାତ୍ମକ ସମାଧାନ ଖୋଜିବା ସଠିକ୍ ନୁହେଁ କାରଣ ଏହା ଗଣିତ ବିଜ୍ଞାନ ଭଳିଆ ସ୍ୱଳ୍ପ ଫଳ ଦେଇ ପାରିବ ନାହିଁ ବସ୍ତୁତାତ୍ତ୍ୱ ଆଭିମୁଖ୍ୟ ଘେନି କୌଣସି ଏକ ଶିଳ୍ପାନୁରତ ରାଷ୍ଟ୍ରକୁ, ତେଣୁ ଆଦର୍ଶ ରୂପେ ଗ୍ରହଣ କରି ଅନୁସରଣ କରିବା ଦ୍ୱାରା ଆଉ ଗୋଟିଏ ରାଷ୍ଟ୍ରର ସୁସଂଯତ ବିକାଶ ଘଟାଇବା କଦାପି ସମ୍ଭବ ହେବ ନାହିଁ। ପରମ୍ପରା, ଜଳବାୟୁ ପ୍ରଭୃତି କ୍ଷେତ୍ରରେ ଏକ ନିଜସ୍ୱ ପ୍ରକୃତି ରହିଛି। ସେଥିପ୍ରତି ସଚେତନ ରହି ଏବଂ ଆନୁଷ୍ଠାନିକ ସତର୍କତା ଅବଲମ୍ବନ କରି ଯଦି ଗୋଟିଏ ଦେଶର ଜନସାଧାରଣ ଏକ ନିର୍ଦ୍ଦିଷ୍ଟ ଲକ୍ଷ୍ୟ ନେଇ କାର୍ଯ୍ୟ କରିବେ, ତାହା ହେଲେ ସେମାନଙ୍କ ଭବ୍ୟତା ନିଶ୍ଚୟ ଫଳବତୀ ହେବ। ସମାଜ ବିଜ୍ଞାନୀ ମାନଙ୍କ ଚେତାବନୀ କୁ ହୃଦଙ୍ଗମ କରିବାକୁ ହେଲେ ଯଦି ଗୋଟିଏ ଦେଶର ଜନନାୟକ ମାନେ ନିଜ ଦେଶର ସର୍ବାଙ୍ଗୀନ ପ୍ରଗତିକଳ୍ପେ ବୈଜ୍ଞାନିକ ମତ ନେଇ ବୈଜ୍ଞାନିକ ଗବେଷଣା ପ୍ରସୂତ ତଥ୍ୟର ବ୍ୟବହାରିକ ଉପଯୋଗ ଉପରେ କର୍ମତତ୍ପର ହୁଅନ୍ତି, ତାହା ହେଲେ ସେଇ ଦେଶର ଜନସାଧାରଣ ନିଶ୍ଚିତ ଭାବରେ ପ୍ରଗତି ପଥରେ ଅଗ୍ରସର ହୋଇ ନିଜ ଜୀବନର ଆର୍ଥିକ, ସାମାଜିକ ମାନଦଣ୍ଡ ମାନଙ୍କର ଉନ୍ନତି ହେବ। ମାତ୍ର କୌଣସି ଲକ୍ଷ୍ୟ ନ ଥାଇ ଏବଂ ମାନବିକତା ବୋଧକୁ ଜଳାଞ୍ଜଳି ଦେଇ ଯଦି ଆମେ ପ୍ରଗତିର ପଥ ଖୋଜିବା ଓ ଦେଶକୁ ଶିଳ୍ପାନୁରତ କରିବା ପାଇଁ ବେପାର ବ୍ୟୟ ଭାବରେ ଯଦି ଅଗ୍ରସର ହେବା ତାହାହେଲେ ତାହାର ଦୁର୍ଗାମୀ ପରିଣାମ ହେବାର ସମ୍ଭାବନା ରହିଛି। ଆମକୁ ପ୍ରକୃତି ସହିତ ସାମଞ୍ଜସ୍ୟ ରଖି, ଜନମାନସର ସର୍ବାଙ୍ଗୀନ ବିକାଶକୁ ମଧ୍ୟ ମୁଖ୍ୟତା ଦେବାକୁ ହେବ। ଶିଳ୍ପ ସହିତ ରୋଜଗାର ଆଉ ଦେଶ ଦେଶରେ ଉତ୍ପୁଜ୍ଜୁତ୍ୱା କକ୍ଷା ମାଲ୍ କେମିତି ଦେଶରେ ପ୍ରୟୋଗ ହୋଇ, ଉତ୍ପାଦିକତା କୁ ଚରମ ସୀମାରେ ପହଞ୍ଚାଇ ପାରିବ, ସେଇ ଦିଗରେ ଚେଷ୍ଟା କରିବା କଥା। ଆତ୍ମନିର୍ଭର ଆଡ଼କୁ ଧ୍ୟାନ ଦେଲେ ବିଦେଶରୁ ଆମଦାନୀରେ ବ୍ୟୟ ହେଉଥିବା ଅମୂଲ୍ୟ ଟଙ୍କାକୁ ସାଇତି ରଖିପାରିବା ଓ ରପ୍ତାନି ବୃଦ୍ଧି କରି ବିଦେଶୀ ମୁଦ୍ରା ଅର୍ଜିତ କରିପାରିବା, ନଚେତ ବଳାୟାନ ହେବା ପରିବର୍ତ୍ତେ ବିଜ୍ଞାନ ହିଁ ତାକୁ ତାର କ୍ରୀତବାସ ରୂପେ ରଖିବ।

ତାଲିକା I ସହିତ ତାଲିକା II କୁ ମିଳାନ୍ତୁ

ତାଲିକା I		ତାଲିକା II	
A.	ପ୍ରକୃତିକ ସମ୍ପଦ	I.	ପ୍ରଯୋଜ୍ୟ ତପୁରତା
B.	ତୁଳନାତ୍ମକ ସମାଧାନ	II.	ଗବେଷଣାରୁ ଉତ୍ପତ୍ତି ବିଷୟବସ୍ତୁ
C.	ପ୍ରସୂତ ତଥ୍ୟ	III.	କୋଇଲା ଖଣି
D.	ଆନୁଷ୍ଠାନିକ ସତର୍କତା	IV.	ନିକଲ କରି ସମାଧାନ ଖୋଜିବା

ନିମ୍ନ ପ୍ରଦତ୍ତ ଉତ୍ତର ଗୁଡ଼ିକରୁ ସଠିକ୍ ଉତ୍ତରକୁ ଚିହ୍ନଟ କରନ୍ତୁ:

1. A-II, B-III, C-IV, D-I
2. A-IV, B-III, C-II, D-I
3. A-III, B-IV, C-II, D-I
4. A-I, B-III, C-II, D-IV

**Options :**

485584137233. 1  
 485584137234. 2  
 485584137235. 3  
 485584137236. 4

**Question Number : 55 Question Id : 48558434310 Question Type : MCQ Option Shuffling : No Is Question Mandatory : No Calculator : None Response Time : N.A Think Time : N.A Minimum Instruction Time : 0**

**Correct Marks : 5 Wrong Marks : 1**

**Question Key Details :**

Key	Value
-----	-------

ପୃଥିବୀରେ ଯେତେ ଗୋଟି ରାଷ୍ଟ୍ର ଅଛନ୍ତି, ସମସ୍ତଙ୍କର ପ୍ରାକୃତିକ ସମ୍ପଦ ଭିନ୍ନ, ସମସ୍ତଙ୍କର ଭୌଗଳିକ ଅବସ୍ଥିତି ଭିନ୍ନ, ସମସ୍ତଙ୍କର ଜନସଂଖ୍ୟା ବି ଭିନ୍ନ, ଜଳବାୟୁ ଅନୁଯାୟୀ କାର୍ଯ୍ୟ କ୍ଷମତା ଭିନ୍ନ, ରାଜନୈତିକ ପରିସ୍ଥିତି ଭିନ୍ନ ଓ ଭିନ୍ନ ଭିନ୍ନଦେଶ ର ଆଭିମୁଖ୍ୟ ଭିନ୍ନ ଭିନ୍ନ। ତେଣୁ କୌଣସି ମାପଦଣ୍ଡ ନେଇ ତୁଳନା କରିବା ଏବଂ ତୁଳନାତ୍ମକ ସମାଧାନ ଖୋଜିବା ସଠିକ୍ ନୁହେଁ କାରଣ ଏହା ଗଣିତ ବିଜ୍ଞାନ ଭଳିଆ କ୍ଷଣିକ ଫଳ ଦେଇ ପାରିବ ନାହିଁ। ବସ୍ତୁବାଦୀ ଆଭିମୁଖ୍ୟ ଘେନି କୌଣସି ଏକ ଶିଳ୍ପୋନ୍ନତ ରାଷ୍ଟ୍ରକୁ, ତେଣୁ ଆଦର୍ଶ ରୂପେ ଗ୍ରହଣ କରି ଅନୁସରଣ କରିବା ଦ୍ଵାରା ଆଉ ଗୋଟିଏ ରାଷ୍ଟ୍ରର ସୁସଂଯତ ବିକାଶ ଘଟାଇବା କଦାପି ସମ୍ଭବ ହେବ ନାହିଁ। ପରମ୍ପରା, ଜଳବାୟୁ ପ୍ରଭୃତି କ୍ଷେତ୍ରରେ ଏକ ନିଜସ୍ଵ ପ୍ରକୃତି ରହିଛି। ସେଥିପ୍ରତି ସଚେତନ ରହି ଏବଂ ଆନୁଷ୍ଠାନିକ ସତର୍କତା ଅବଲମ୍ବନ କରି ଯଦି ଗୋଟିଏ ଦେଶର ଜନସାଧାରଣ ଏକ ନିର୍ଦ୍ଦିଷ୍ଟ ଲକ୍ଷ୍ୟ ନେଇ କାର୍ଯ୍ୟ କରିବେ, ତାହା ହେଲେ ସେମାନଙ୍କ ଉଦ୍ୟମ ନିଶ୍ଚୟ ଫଳବତୀ ହେବ। ସମାଜ ବିଜ୍ଞାନୀ ମାନଙ୍କ ଚେତାବନୀ କୁ ହୃଦଙ୍ଗମ କରିବାକୁ ହେଲେ ଯଦି ଗୋଟିଏ ଦେଶର ଜନନାୟକ ମାନେ ନିଜ ଦେଶର ସର୍ବାଙ୍ଗୀନ ପ୍ରଗତିକଳ୍ପେ ବୈଜ୍ଞାନିକ ମତ ନେଇ ବୈଜ୍ଞାନିକ ଗବେଷଣା ପ୍ରସ୍ତୁତ ତଥ୍ୟର ବ୍ୟବହାରିକ ଉପଯୋଗ ଉପରେ କର୍ମାତତପର ହୁଅନ୍ତି, ତାହା ହେଲେ ସେଇ ଦେଶର ଜନସାଧାରଣ ନିଶ୍ଚିତ ଭାବରେ ପ୍ରଗତି ପଥରେ ଅଗ୍ରସର ହୋଇ ନିଜ ଜୀବନର ଆର୍ଥିକ, ସାମାଜିକ ମାନଦଣ୍ଡ ମାନଙ୍କର ଉନ୍ନତି ହେବ। ମାତ୍ର କୌଣସି ଲକ୍ଷ୍ୟ ନ ଥାଇ ଏବଂ ମାନବିକତା ବୋଧକୁ ଜଳାଞ୍ଜଳି ଦେଇ ଯଦି ଆମେ ପ୍ରଗତିର ପଥ ଖୋଜିବା ଓ ଦେଶକୁ ଶିଳ୍ପୋନ୍ନତ କରିବା ପାଇଁ ବେପାର ବ୍ୟୟ ଭାବରେ ଯଦି ଅଗ୍ରସର ହେବା ତାହାହେଲେ ତାହାର ଦୁର୍ଗାମୀ ପରିଣାମ ହେବାର ସମ୍ଭାବନା ରହିଛି। ଆମକୁ ପ୍ରକୃତି ସହିତ ସାମଞ୍ଜସ୍ୟ ରଖି, ଜନମାନସର ସର୍ବାଙ୍ଗୀନ ବିକାଶକୁ ମଧ୍ୟ ମୁଖ୍ୟତା ଦେବାକୁ ହେବ। ଶିଳ୍ପ ସହିତ ରୋଜଗାର ଆଉ ଦେଶ ଦେଶରେ ଉତ୍ପୁତ୍ତୁବା କଞ୍ଚା ମାଲ୍ କେମିତି ଦେଶରେ ପ୍ରୟୋଗ ହୋଇ, ଉତ୍ପାଦିକତା କୁ ଚରମ ସୀମାରେ ପହଞ୍ଚାଇ ପାରିବ, ସେଇ ଦିଗରେ ଚେଷ୍ଟା କରିବା କଥା। ଆତ୍ମନିର୍ଭର ଆଡ଼କୁ ଧ୍ୟାନ ଦେଲେ ବିଦେଶରୁ ଆମଦାନୀରେ ବ୍ୟୟ ହେଉଥିବା ଅମୂଲ୍ୟ ଟଙ୍କାକୁ ସାଇତି ରଖିପାରିବା ଓ ରଘୁନି ବୃଦ୍ଧି କରି ବିଦେଶୀ ମୁଦ୍ରା ଅର୍ଜିତ କରିପାରିବା, ନଚେତ ବଳୀୟାନ ହେବା ପରିବର୍ତ୍ତେ ବିଜ୍ଞାନ ହିଁ ତାକୁ ତାର କ୍ରୀତବାସ ରୂପେ ରଖିବ।

'କଞ୍ଚାମାଲ' ଶବ୍ଦର ଭୁଲ୍ ଉତ୍ତରଟିକୁ ଚିହ୍ନଟ କରନ୍ତୁ

1. ବକ୍ସାଇଟ
2. ଲୌହ ପଥର
3. କଞ୍ଚା ପରିବା
4. ଗହମ

**Options :**

485584137237. 1  
485584137238. 2  
485584137239. 3  
485584137240. 4

**Sub-Section Number :**

2

**Sub-Section Id :**

4855842515

**Question Shuffling Allowed :**

No

**Is Section Default? :**

null

**Question Number : 56 Question Id : 48558434311 Question Type : MCQ Option Shuffling : No Is Question Mandatory : No Calculator : None Response Time : N.A Think Time : N.A Minimum Instruction Time : 0**

**Correct Marks : 5 Wrong Marks : 1**

**Question Key Details :**

Key	Value
Comprehension	Comp2



କୌଣସି ଦେଶ ନିଜର ଆର୍ଥିକ ଓ ଭୌଗଳିକ ସ୍ଥିତିକୁ ଶକ୍ତିଶାଳୀ କରିବା ପାଇଁ ନିଜ ପରିସରରେ ନୀତିଗତ ପଦକ୍ଷେପ ନେବାରେ କାହାରି କିଛି ଆପତ୍ତି ରହିବ ନାହିଁ କିନ୍ତୁ ଚୀନ କ୍ଷେତ୍ରରେ ଏହା ନିଶ୍ଚିତ କରି କହି ହେବ ନାହିଁ ଯେ ସେ ନିଜକୁ କେବଳ ମଜବୁତ କରିବା ପାଇଁ ତାର ସୀମା କ୍ଷେତ୍ରରେ ବିଭିନ୍ନ କାର୍ଯ୍ୟକ୍ରମ ଲାଗି ରଖୁଛି। ଅଯୋଗ୍ୟତା ରୂପେ ଚୀନ ଯେପରି ଆପଣାର ଅଭିସନ୍ଧିମୂଳକ ବିସ୍ତାରବାଦୀ ରଣନୀତିକୁ ବାସ୍ତବ ରୂପ ଦେବାରେ ଲାଗିଛି, ତାହା ସମଗ୍ର ବିଶ୍ୱ ପାଇଁ ବିଶେଷ କରି ଭାରତ ଲାଗି ନିଶ୍ଚୟ ଉଦ୍‌ବେଗର ବିଷୟ। ସିଏ ପଡ଼ୋଶୀ ଦେଶର ସୀମାରେ ଅନୁପ୍ରବେଶ କରିବାକୁ ମଧ୍ୟ ପଛାଇ ନାହିଁ। ଭାରତ ପ୍ରତି ଚୀନ ର ଅସୁଯୋଗ୍ୟତା ଓ ଦୁରଭିସନ୍ଧି ନେଇ କାହାର ସନ୍ଦେହ ନାହିଁ। ସିଏ ସାହାଯ୍ୟ ନାଁ ରେ ଭାରତର ପଡ଼ୋଶୀ ଦେଶ ଗୁଡ଼ିକୁ ଉତ୍ସୁକାଭାବେ ଏକତ୍ର ନେଇ ଯେପରି ଅହରହ କାର୍ଯ୍ୟ କରୁଛି, ଯଥା ସମ୍ପ୍ରତି ପାକିସ୍ତାନ, ନେପାଳ, ବାଂଲାଦେଶ, ମ୍ୟାନମାର ଓ ଶ୍ରୀଲଙ୍କାରେ ଚୀନ ପ୍ରଚାର ପରିମାଣର ଅର୍ଥ ନିବେଶ କରୁଛି, ସହଜ ସର୍ଭରେ ଏଇ ଦେଶମାନଙ୍କୁ ରଣ ଦେଉଛି, ଅବାସ୍ଥିତ ଗତିବିଧି କରୁଛି ଏବଂ ଭାରତର ସୀମା ରେଖାରେ, ସାମରିକ ଯାତାୟତ ର ସୁବିଧା କରିବା ପାଇଁ ରାଷ୍ଟ୍ର ନିର୍ମାଣ କରିବା, ତାର ଅହଂ ପରିଚୟ ଦେବା ସହିତ ପ୍ରତିପତ୍ତି ଜାହିର କରିବା ଉଦ୍ୟମକୁ ଭାରତ କଦାପି ପ୍ରଶ୍ନ ଦେଇ ପାରିବ ନାହିଁ। ଭାରତ ଗଣତନ୍ତ୍ର ହୋଇଥିବାରୁ ଭାରତର ପ୍ରକୃତ ଚାଲିକା ଶକ୍ତି, ବିଶ୍ୱମଞ୍ଚରେ ଚୀନଠାରୁ ଅଧିକ ସମ୍ମାନସ୍ୱଦ ସେହି କାରଣରୁ ଚୀନ ଭାରତ ପ୍ରତି ସର୍ବଦା ଅସହିଷ୍ଣୁ । ଅତଏବ ଭାରତକୁ ଏଭଳି ସୀମା ବିବାଦ ଓ ପରିସ୍ଥିତିର ମୁକାବିଲା କରିବା ପାଇଁ ଗଣତନ୍ତ୍ରକୁ ବଜାୟ ରଖି ବୁଝିସୁଝି ସମୟୋପଯୋଗୀ ପଦକ୍ଷେପ ନେବା ଆବଶ୍ୟକ।

ପ୍ରଦତ୍ତ ଗଦ୍ୟାଂଶ (paragraph) କୁ ପଢ଼ି ନିମ୍ନ ପ୍ରଶ୍ନର ସଠିକ୍ ଉତ୍ତର ଚିହ୍ନଟ କରନ୍ତୁ

ଚୀନ କାହିଁକି ଭାରତ ପ୍ରତି ସର୍ବଦା ଅସହିଷ୍ଣୁ :

- A. ଭାରତ ନିଜର ସାର୍ବଭୌମତ୍ୱ ରକ୍ଷା କରିବା ପାଇଁ ସର୍ବଦା ନୀତିଗତ ପଦକ୍ଷେପ ନିଏ
- B. ଭାରତ ସାହାଯ୍ୟ ନାଁରେ ଅନ୍ୟଦେଶକୁ ଆଉ ଗୋଟିଏ ଦେଶ ବିରୁଦ୍ଧରେ ଉତ୍ସୁକାଏ ନାହିଁ
- C. ଭାରତ ଗଣତନ୍ତ୍ର ହୋଇଥିବାରୁ ଭାରତର ପ୍ରକୃତ ଚାଲିକା ଶକ୍ତି, ବିଶ୍ୱମଞ୍ଚରେ ଚୀନ ଠୁ ଅଧିକ ସମ୍ମାନସ୍ୱଦ
- D. ଭାରତ ପଡ଼ୋଶୀ ଦେଶରେ କେବେ ବି ଆକାରଣେ ଅନୁପ୍ରବେଶ କରେ ନାହିଁ

- 1. D
- 2. C
- 3. B
- 4. A

**Options :**

- 485584137241. 1
- 485584137242. 2
- 485584137243. 3
- 485584137244. 4

**Question Number : 57 Question Id : 48558434312 Question Type : MCQ Option Shuffling : No Is Question Mandatory : No Calculator : None Response Time : N.A Think Time : N.A Minimum Instruction Time : 0**

**Correct Marks : 5 Wrong Marks : 1**

**Question Key Details :**

Key	Value
Comprehension	Comp2

କୌଣସି ଦେଶ ନିଜର ଆର୍ଥିକ ଓ ଭୌଗଳିକ ସ୍ଥିତିକୁ ଶକ୍ତିଶାଳୀ କରିବା ପାଇଁ ନିଜ ପରିସରରେ ନୀତିଗତ ପଦକ୍ଷେପ ନେବାରେ କାହାରି କିଛି ଆପତ୍ତି ରହିବ ନାହିଁ କିନ୍ତୁ ଚୀନ କ୍ଷେତ୍ରରେ ଏହା ନିଶ୍ଚିତ କରି କହି ହେବ ନାହିଁ ଯେ ସେ ନିଜକୁ କେବଳ ମଜବୁତ କରିବା ପାଇଁ ତାର ସୀମା କ୍ଷେତ୍ରରେ ବିଭିନ୍ନ କାର୍ଯ୍ୟକ୍ରମ ଲାଗି ରଖୁଛି। ଅଘୋଷିତ ରୂପେ ଚୀନ ଯେପରି ଆପଣାର ଅଭିସନ୍ଧିମୂଳକ ବିସ୍ତାରବାଦୀ ରଣନୀତିକୁ ବାସ୍ତବ ରୂପ ଦେବାରେ ଲାଗିଛି, ତାହା ସମଗ୍ର ବିଶ୍ୱ ପାଇଁ ବିଶେଷ କରି ଭାରତ ଲାଗି ନିଶ୍ଚୟ ଉଦ୍‌ବେଗର ବିଷୟ। ସିଏ ପଡ଼ୋଶୀ ଦେଶର ସୀମାରେ ଅନୁପ୍ରବେଶ କରିବାକୁ ମଧ୍ୟ ପଛାଇ ନାହିଁ। ଭାରତ ପ୍ରତି ଚୀନ ର ଅସୁଯୋଗ୍ୟ ଓ ଦୁରଭିସନ୍ଧି ନେଇ କାହାର ସନ୍ଦେହ ନାହିଁ। ସିଏ ସାହାଯ୍ୟ ନାଁ ରେ ଭାରତର ପଡ଼ୋଶୀ ଦେଶ ଗୁଡ଼ିକୁ ଉତ୍ସୁକାଭାବର ଏକେକ୍ଷା ନେଇ ଯେପରି ଅହରହ କାର୍ଯ୍ୟ କରୁଛି, ଯଥା ସମ୍ପ୍ରତି ପାକିସ୍ତାନ, ନେପାଳ, ବାଂଲାଦେଶ, ମ୍ୟାନ୍‌ମାର ଓ ଶ୍ରୀଲଙ୍କାରେ ଚୀନ ପ୍ରଚାର ପରିମାଣର ଅର୍ଥ ନିବେଶ କରୁଛି, ସହଜ ସର୍ଭରେ ଏଇ ଦେଶମାନଙ୍କୁ ରଣ ଦେଉଛି, ଅବାସ୍ଥିତ ଗତିବିଧି କରୁଛି ଏବଂ ଭାରତର ସୀମା ରେଖାରେ, ସାମରିକ ଯାତାୟାତ ର ସୁବିଧା କରିବା ପାଇଁ ରାଷ୍ଟ୍ର ନିର୍ମୂଳ କରିବା, ତାର ଅହଂ ପରିଚୟ ଦେବା ସହିତ ପ୍ରତିପତ୍ତି ଜାହିର କରିବା ଉଦ୍ୟମକୁ ଭାରତ କଦାପି ପ୍ରଶ୍ନସ୍ୱରୂପ ଦେଇ ପାରିବ ନାହିଁ। ଭାରତ ଗଣତନ୍ତ୍ର ହେଲେଥିବାରୁ ଭାରତର ପ୍ରକୃତ ଚାଳିକା ଶକ୍ତି, ବିଶ୍ୱମଞ୍ଚରେ ଚୀନଠାରୁ ଅଧିକ ସମ୍ମାନସ୍ୱରୂପ ସେହି କାରଣରୁ ଚୀନ ଭାରତ ପ୍ରତି ସର୍ବଦା ଅସହିଷ୍ଣୁ । ଅତଏବ ଭାରତକୁ ଏଭଳି ସୀମା ବିବାଦ ଓ ପରିସ୍ଥିତିର ମୁକାବିଲା କରିବା ପାଇଁ ଗଣତନ୍ତ୍ରକୁ ବଜାୟ ରଖି ବୁଝିସୁଝି ସମୟୋପଯୋଗୀ ପଦକ୍ଷେପ ନେବା ଆବଶ୍ୟକ।

ପ୍ରଦତ୍ତ ଗଦ୍ୟାଂଶ (paragraph) କୁ ପଢ଼ି ନିମ୍ନ ପ୍ରଶ୍ନରୁ କେଉଁଟି ସଠିକ୍ ଉତ୍ତର ତାକୁ ଚିହ୍ନଟ କରନ୍ତୁ।

'କାହାକୁ ନୀତିଗତ ପଦକ୍ଷେପ ବୋଲି ଧରାଯିବ?'

- A. ପଡ଼ୋଶୀ ଦେଶକୁ ଆର୍ଥିକ ଓ ସାମରିକ ସାହାଯ୍ୟ ଦେଇ ଅନ୍ୟଦେଶ ବିରୁଦ୍ଧରେ ଉତ୍ସୁକେଇବା
- B. ପଡ଼ୋଶୀ ଦେଶର ସୀମାକୁ ଲାଗି ଅବାସ୍ଥିତ ଗତିବିଧି କରିବା
- C. କୌଣସି ଦେଶ ନିଜ ପରିସର ଭିତରେ ନିଜର ଆର୍ଥିକ ଓ ଭୌଗଳିକ ସ୍ଥିତିକୁ ଶକ୍ତିଶାଳୀ କରିବା ଗତିବିଧି
- D. ଗୋଟିଏ ଦେଶ ଅଘୋଷିତ ରୂପରେ ନିଜର ଭୌଗଳିକ ସୀମାକୁ ଲଙ୍ଘି ବିସ୍ତାର କରିବା ଉଦ୍ୟମ

- 1. C
- 2. B
- 3. A
- 4. D

**Options :**

- 485584137245. 1
- 485584137246. 2
- 485584137247. 3
- 485584137248. 4

**Question Number : 58 Question Id : 48558434313 Question Type : MCQ Option Shuffling : No Is Question Mandatory : No Calculator : None Response Time : N.A Think Time : N.A Minimum Instruction Time : 0**

**Correct Marks : 5 Wrong Marks : 1**

**Question Key Details :**

Key	Value
Comprehension	Comp2

କୌଣସି ଦେଶ ନିଜର ଆର୍ଥିକ ଓ ଭୌଗଳିକ ସ୍ଥିତିକୁ ଶକ୍ତିଶାଳୀ କରିବା ପାଇଁ ନିଜ ପରିସରରେ ନୀତିଗତ ପଦକ୍ଷେପ ନେବାରେ କାହାରି କିଛି ଆପତ୍ତି ରହିବ ନାହିଁ କିନ୍ତୁ ଚୀନ କ୍ଷେତ୍ରରେ ଏହା ନିଶ୍ଚିତ କରି କହି ହେବ ନାହିଁ ଯେ ସେ ନିଜକୁ କେବଳ ମଜବୁତ କରିବା ପାଇଁ ତାର ସୀମା କ୍ଷେତ୍ରରେ ବିଭିନ୍ନ କାର୍ଯ୍ୟକ୍ରମ ଛାଡ଼ି ରଖୁଛି। ଅପେକ୍ଷିତ ରୂପେ ଚୀନ ଯେପରି ଆପଣାର ଅଭିସନ୍ଧିମୂଳକ ବିସ୍ତାରବାଦୀ ରଣନୀତିକୁ ବାସ୍ତବ ରୂପ ଦେବାରେ ଲାଗିଛି, ତାହା ସମଗ୍ର ବିଶ୍ୱ ପାଇଁ ବିଶେଷ କରି ଭାରତ ଲାଗି ନିଶ୍ଚୟ ଉଦ୍‌ବେଗର ବିଷୟ। ସିଏ ପଡ଼ୋଶୀ ଦେଶର ସୀମାରେ ଅନୁପ୍ରବେଶ କରିବାକୁ ମଧ୍ୟ ପଛାଇ ନାହିଁ। ଭାରତ ପ୍ରତି ଚୀନ ର ଅସୁଯୋଗ୍ୟ ଓ ଦୁରଭିସନ୍ଧି ନେଇ କାହାର ସନ୍ଦେହ ନାହିଁ। ସିଏ ସାହାଯ୍ୟ ନାଁ ରେ ଭାରତର ପଡ଼ୋଶୀ ଦେଶ ଗୁଡ଼ିକୁ ଉତ୍ସୁକାଭାବେ ଏକତ୍ର ନେଇ ଯେପରି ଅହରହ କାର୍ଯ୍ୟ କରୁଛି, ଯଥା ସମ୍ପ୍ରତି ପାକିସ୍ତାନ, ନେପାଳ, ବାଂଲାଦେଶ, ମ୍ୟାନ୍‌ମାର ଓ ଶ୍ରୀଲଙ୍କାରେ ଚୀନ ପ୍ରଚାର ପରିମାଣର ଅର୍ଥ ନିବେଶ କରୁଛି, ସହଜ ସର୍ତ୍ତରେ ଏଇ ଦେଶମାନଙ୍କୁ ରଣ ଦେଉଛି, ଅବାସ୍ଥିତ ଗତିବିଧି କରୁଛି ଏବଂ ଭାରତର ସୀମା ରେଖାରେ, ସାମରିକ ଯାତାୟତ ର ସୁବିଧା କରିବା ପାଇଁ ରାଷ୍ଟ୍ର ନିର୍ମୂଳ କରିବା, ତାର ଅହଂ ପରିଚୟ ଦେବା ସହିତ ପ୍ରତିପତ୍ତି ଛାଡ଼ି କରିବା ଉଦ୍ୟମକୁ ଭାରତ କଦାପି ପ୍ରଶ୍ନ ଦେଇ ପାରିବ ନାହିଁ। ଭାରତ ଗଣତନ୍ତ୍ର ହେଲେବାରୁ ଭାରତର ପ୍ରକୃତ ଚାଳିକା ଶକ୍ତି, ବିଶ୍ୱମଞ୍ଚରେ ଚୀନଠାରୁ ଅଧିକ ସମ୍ମାନସହୀ ସେହି କାରଣରୁ ଚୀନ ଭାରତ ପ୍ରତି ସର୍ବଦା ଅସନ୍ଧିଷ୍ଣୁ । ଅତଏବ ଭାରତକୁ ଏଭଳି ସୀମା ବିବାଦ ଓ ପରିସ୍ଥିତିର ମୁକାବିଲା କରିବା ପାଇଁ ଗଣତନ୍ତ୍ରକୁ ବଜାୟ ରଖି ବୁଝିସୁଝି ସମୟୋପଯୋଗୀ ପଦକ୍ଷେପ ନେବା ଆବଶ୍ୟକ।

'ଅତଏବ ଭାରତକୁ ଏଭଳି ସୀମା ବିବାଦ ଓ ପରିସ୍ଥିତି ର ମୁକାବିଲା କରିବା ପାଇଁ ଗଣତନ୍ତ୍ରକୁ ବଜାୟରଖି ବୁଝିସୁଝି ସମୟୋପଯୋଗୀ ପଦକ୍ଷେପ ନେବା ଆବଶ୍ୟକ।'

ଏହା କି ପ୍ରକାର ବାକ୍ୟ?

- A. ଯୁଗ୍ମ
- B. ସରଳ
- C. ଜଟିଳ
- D. ବିସ୍ମୟକର

- 1. A
- 2. B
- 3. C
- 4. D

**Options :**

- 485584137249. 1
- 485584137250. 2
- 485584137251. 3
- 485584137252. 4

**Question Number : 59 Question Id : 48558434314 Question Type : MCQ Option Shuffling : No Is Question Mandatory : No Calculator : None Response Time : N.A Think Time : N.A Minimum Instruction Time : 0**

**Correct Marks : 5 Wrong Marks : 1**

**Question Key Details :**

Key	Value
Comprehension	Comp2

କୌଣସି ଦେଶ ନିଜର ଆର୍ଥିକ ଓ ଭୌଗଳିକ ସ୍ଥିତିକୁ ଶକ୍ତିଶାଳୀ କରିବା ପାଇଁ ନିଜ ପରିସରରେ ନୀତିଗତ ପଦକ୍ଷେପ ନେବାରେ କାହାରି କିଛି ଆପତ୍ତି ରହିବ ନାହିଁ କିନ୍ତୁ ଚୀନ କ୍ଷେତ୍ରରେ ଏହା ନିଶ୍ଚିତ କରି କହି ହେବ ନାହିଁ ଯେ ସେ ନିଜକୁ କେବଳ ମଜବୁତ କରିବା ପାଇଁ ତାର ସୀମା କ୍ଷେତ୍ରରେ ବିଭିନ୍ନ କାର୍ଯ୍ୟକ୍ରମ ଚାଲି ରଖୁଛି। ଅପେକ୍ଷିତ ରୂପେ ଚୀନ ଯେପରି ଆପଣାର ଅଭିସନ୍ଧିମୂଳକ ବିସ୍ତାରବାଦୀ ରଣନୀତିକୁ ବାସ୍ତବ ରୂପ ଦେବାରେ ଲାଗିଛି, ତାହା ସମଗ୍ର ବିଶ୍ୱ ପାଇଁ ବିଶେଷ କରି ଭାରତ ଲାଗି ନିଶ୍ଚୟ ଉଦ୍‌ବେଗର ବିଷୟ। ସିଏ ପଡ଼ୋଶୀ ଦେଶର ସୀମାରେ ଅନୁପ୍ରବେଶ କରିବାକୁ ମଧ୍ୟ ପଛାଇ ନାହିଁ। ଭାରତ ପ୍ରତି ଚୀନ ର ଅସୁଯୋଗ୍ୟ ଓ ଦୁରଭିସନ୍ଧି ନେଇ କାହାର ସନ୍ଦେହ ନାହିଁ। ସିଏ ସାହାଯ୍ୟ ନାଁ ରେ ଭାରତର ପଡ଼ୋଶୀ ଦେଶ ଗୁଡ଼ିକୁ ଉତ୍ସୁକାଭାବେ ଏକତ୍ର ନେଇ ଯେପରି ଅହରହ କାର୍ଯ୍ୟ କରୁଛି, ଯଥା ସମ୍ପ୍ରତି ପାକିସ୍ତାନ, ନେପାଳ, ବାଂଲାଦେଶ, ମ୍ୟାନ୍‌ମାର ଓ ଶ୍ରୀଲଙ୍କାରେ ଚୀନ ପ୍ରଚାର ପରିମାଣର ଅର୍ଥ ନିବେଶ କରୁଛି, ସହଜ ସର୍ଭରେ ଏଇ ଦେଶମାନଙ୍କୁ ରଣ ଦେଉଛି, ଅବାସ୍ଥିତ ଗତିବିଧି କରୁଛି ଏବଂ ଭାରତର ସୀମା ରେଖାରେ, ସାମରିକ ଯାତାୟତ ର ସୁବିଧା କରିବା ପାଇଁ ରାଷ୍ଟ୍ର ନିର୍ମାଣ କରିବା, ତାର ଅହଂ ପରିଚୟ ଦେବା ସହିତ ପ୍ରତିପତ୍ତି ଜାହିର କରିବା ଉଦ୍ୟମକୁ ଭାରତ କଦାପି ପ୍ରଶ୍ନ ଦେଇ ପାରିବ ନାହିଁ। ଭାରତ ଗଣତନ୍ତ୍ର ହେଲେଥିବାରୁ ଭାରତର ପ୍ରକୃତ ଚାଳିକା ଶକ୍ତି, ବିଶ୍ୱମଞ୍ଚରେ ଚୀନଠାରୁ ଅଧିକ ସମ୍ମାନସହୀ ସେହି କାରଣରୁ ଚୀନ ଭାରତ ପ୍ରତି ସର୍ବଦା ଅସହିଷ୍ଣୁ । ଅତଏବ ଭାରତକୁ ଏଭଳି ସୀମା ବିବାଦ ଓ ପରିସ୍ଥିତିର ମୁକାବିଲା କରିବା ପାଇଁ ଗଣତନ୍ତ୍ରକୁ ବଜାୟ ରଖି ବୁଝିପୁଝି ସମୟୋପଯୋଗୀ ପଦକ୍ଷେପ ନେବା ଆବଶ୍ୟକ।

ପ୍ରଦତ୍ତ ଗଦ୍ୟାଂଶ (paragraph) କୁ ପଢ଼ି ଭୁଲ ଭରମ ଗୁଡ଼ିକୁ ନିମ୍ନରୁ ବାଛି ଲେଖ।

- A. ଚୀନର ଏକତ୍ରଣ କୁ ନେଇ ଭାରତ ଆଦୌ ଚିନ୍ତିତ ନୁହେଁ।
- B. ଭାରତ ଭଳିଆ ଚୀନ ମଧ୍ୟ ଗୋଟିଏ ଗଣତନ୍ତ୍ର
- C. ଚୀନ ଯେଉଁ ଗତିବିଧି କରୁଛି, ତାର ଉଦ୍‌ଦେଶ୍ୟ କେବଳ ନିଜକୁ ମଜବୁତ କରିବା
- D. ଚୀନର ଗତିବିଧି କେବଳ ଭାରତ ପାଇଁ ଉଦ୍‌ବେଗର ବିଷୟ, ବିଶ୍ୱରେ ଅନ୍ୟ ଦେଶ ମାନଙ୍କର କିଛି ଯାଏ ଆସେ ନାହିଁ
- E. ଭାରତକୁ ଏହି ପରିସ୍ଥିତିର ମୁକାବିଲା କରିବା ପାଇଁ ବୁଝିପୁଝି ଯୁକ୍ତିଯୁକ୍ତ ଓ ସୁନିୟୋଜିତ ପଦକ୍ଷେପ ନେବାକୁ ହେବ

ନିମ୍ନ ପ୍ରଦତ୍ତ ବିକଳ୍ପ ଗୁଡ଼ିକରୁ ସଠିକ ଭରମ ବାଛି ଚିହ୍ନଟ କରନ୍ତୁ:

- 1. A, E, D, C
- 2. A, B, C, E
- 3. A, B, C, D
- 4. E, B, C, D

**Options :**

- 485584137253. 1
- 485584137254. 2
- 485584137255. 3
- 485584137256. 4

**Question Number : 60 Question Id : 48558434315 Question Type : MCQ Option Shuffling : No Is Question Mandatory : No Calculator : None Response Time : N.A Think Time : N.A Minimum Instruction Time : 0**

**Correct Marks : 5 Wrong Marks : 1**

**Question Key Details :**

Key	Value
Comprehension	Comp2

କୌଣସି ଦେଶ ନିଜର ଆର୍ଥିକ ଓ ଭୌଗଳିକ ସ୍ଥିତିକୁ ଶକ୍ତିଶାଳୀ କରିବା ପାଇଁ ନିଜ ପରିସରରେ ନୀତିଗତ ପଦକ୍ଷେପ ନେବାରେ କାହାରି କିଛି ଆପତ୍ତି ରହିବ ନାହିଁ କିନ୍ତୁ ଚୀନ କ୍ଷେତ୍ରରେ ଏହା ନିଶ୍ଚିତ କରି କହି ହେବ ନାହିଁ ଯେ ସେ ନିଜକୁ କେବଳ ମଜବୁତ କରିବା ପାଇଁ ତାର ସୀମା କ୍ଷେତ୍ରରେ ବିଭିନ୍ନ କାର୍ଯ୍ୟକ୍ରମ ଛାଡ଼ି ରଖୁଛି। ଅପୋଷିତ ରୂପେ ଚୀନ ଯେପରି ଆପଣାର ଅଭିସନ୍ଧିମୂଳକ ବିସ୍ତାରବାଦୀ ରଣନୀତିକୁ ବାସ୍ତବ ରୂପ ଦେବାରେ ଲାଗିଛି, ତାହା ସମଗ୍ର ବିଶ୍ୱ ପାଇଁ ବିଶେଷ କରି ଭାରତ ଲାଗି ନିଶ୍ଚୟ ଉଦ୍‌ବେଗର ବିଷୟ। ସିଏ ପଡ଼ୋଶୀ ଦେଶର ସୀମାରେ ଅନୁପ୍ରବେଶ କରିବାକୁ ମଧ୍ୟ ପଛାଇ ନାହିଁ। ଭାରତ ପ୍ରତି ଚୀନ ର ଅସୁଯୋଗ୍ୟ ଓ ଦୁରଭିସନ୍ଧି ନେଇ କାହାର ସନ୍ଦେହ ନାହିଁ। ସିଏ ସାହାଯ୍ୟ ନାଁ ରେ ଭାରତର ପଡ଼ୋଶୀ ଦେଶ ଗୁଡ଼ିକୁ ଉତ୍ସୁକାଜ୍ଞବାର ଏକେଣ୍ଡା ନେଇ ଯେପରି ଅହରହ କାର୍ଯ୍ୟ କରୁଛି, ଯଥା ସମ୍ପ୍ରତି ପାକିସ୍ତାନ, ନେପାଳ, ବାଂଲାଦେଶ, ମ୍ୟାନମାର ଓ ଶ୍ରୀଲଙ୍କାରେ ଚୀନ ପ୍ରଚୁର ପରିମାଣର ଅର୍ଥ ନିବେଶ କରୁଛି, ସହଜ ସର୍ଭରେ ଏଇ ଦେଶମାନଙ୍କୁ ରଣ ଦେଉଛି, ଅବାସ୍ଥିତ ଗତିବିଧି କରୁଛି ଏବଂ ଭାରତର ସୀମା ରେଖାରେ, ସାମରିକ ଯାତାୟତ ର ସୁବିଧା କରିବା ପାଇଁ ରାଷ୍ଟ୍ର ନିର୍ମୂଳା କରିବା, ତାର ଅହଂ ପରିଚୟ ଦେବା ସହିତ ପ୍ରତିପତ୍ତି ଛାଡ଼ି କରିବା ଉଦ୍ୟମକୁ ଭାରତ କଦାପି ପ୍ରଶ୍ନୟ ଦେଇ ପାରିବ ନାହିଁ। ଭାରତ ଗଣତନ୍ତ୍ର ହେଲେଥିବାରୁ ଭାରତର ପ୍ରକୃତ ଚାଳିକା ଶକ୍ତି, ବିଶ୍ୱମଞ୍ଚରେ ଚୀନଠାରୁ ଅଧିକ ସମ୍ମାନସ୍ୱଦ। ସେହି କାରଣରୁ ଚୀନ ଭାରତ ପ୍ରତି ସର୍ବଦା ଅସନ୍ଧିଷ୍ଣୁ । ଅତଏବ ଭାରତକୁ ଏଭଳି ସୀମା ବିବାଦ ଓ ପରିସ୍ଥିତିର ମୁକାବିଲା କରିବା ପାଇଁ ଗଣତନ୍ତ୍ରକୁ ବଜାୟ ରଖି ବୁଝିସୁଝି ସମୟୋପଯୋଗୀ ପଦକ୍ଷେପ ନେବା ଆବଶ୍ୟକ।

ଗଣତନ୍ତ୍ର କହିଲେ କଣ ବୁଝାଯାଏ?

1. ଏକ ଛତ୍ରବାଦ
2. ସାମ୍ରାଜ୍ୟବାଦ
3. ସରକାର ଗଠନ ପ୍ରକ୍ରିୟାରେ ସର୍ବସାଧାରଣ ଦ୍ୱାରା ବହୁମତ ସହିତ ନିର୍ବାଚିତ ଦଳ ସରକାର ଗଠନ କରିଥାନ୍ତି
4. ସାମରୀକବାଦ

**Options :**

- 485584137257. 1
- 485584137258. 2
- 485584137259. 3
- 485584137260. 4

**Sub-Section Number :** 3  
**Sub-Section Id :** 4855842516  
**Question Shuffling Allowed :** No  
**Is Section Default? :** null

**Question Number : 61 Question Id : 48558434316 Question Type : MCQ Option Shuffling : No Is Question Mandatory : No Calculator : None Response Time : N.A Think Time : N.A Minimum Instruction Time : 0 Correct Marks : 5 Wrong Marks : 1**

**Question Key Details :**

Key	Value
Comprehension	Comp3

ରୁଷ ଓ ୟୁକ୍ରେନ ମଧ୍ୟରେ ପ୍ରାୟ ଏକ ବର୍ଷ ହେବ ଯୁଦ୍ଧ ଲାଗିରହିଛି। ଏଇ ଯୁଦ୍ଧର କାରଣ ଜାଣିବାକୁ ହେଲେ ଦୁଇ ଦେଶର ଇତିହାସ ଜାଣିବା ଅତ୍ୟନ୍ତ ଆବଶ୍ୟକ। 1991 ମସିହାରେ ସୋଭିଏତ ସଂଘ ବା ୟୁଏସଏସଆର ବିଭାଜିତ ହୋଇ 15 ଟି ସ୍ୱତନ୍ତ୍ର ସାର୍ବଭୌମ ରାଷ୍ଟ୍ର ଗଠନ ହେଲା। ତତ୍କାଳୀନ ସୋଭିଏତ ସଂଘର ଆର୍ଥିକ ଦୁରାବସ୍ଥା ତଥା ତତକଳିତ ଗୃହ ଯୁଦ୍ଧରୁ ମୁକ୍ତି ପାଇବା ପାଇଁ ଏଇ ରାଷ୍ଟ୍ର ମାନେ ସ୍ୱତନ୍ତ୍ର ହେବାକୁ ଆନ୍ଦୋଳନ କରୁଥିଲେ, ଯାହାର ଫଳ ସ୍ୱରୂପ ସେଇ ବିଭାଜନ ହୋଇଥିଲା। ତାମଧ୍ୟରୁ ୟୁକ୍ରେନ ଅନ୍ୟତମ, ଯିଏ ସ୍ୱତନ୍ତ୍ର ରାଷ୍ଟ୍ରରେ ପରିଣତ ହେବା କିଛି ବର୍ଷ ପର୍ଯ୍ୟନ୍ତ ନିରପେକ୍ଷ ନୀତି ପାଳନ କରି ଯୁରୋପିଏନ ସଂଘ (ନାଟୋ), ରୁଷ ଓ ଅନ୍ୟ ଶକ୍ତିଶାଳୀ ରାଜନୈତିକ ଚାକତ ମାନଙ୍କ ସହିତ ସମ୍ପର୍କ ରଖି ଆସୁଥିଲା। ବିଭାଜନ ପୂର୍ବରୁ ସୋଭିଏତ ସଂଘର, ୟୁକ୍ରେନ, ଗୋଟିଏ ମହତ୍ତ୍ୱପୂର୍ଣ୍ଣ ପ୍ରାନ୍ତ ଥିବାରୁ, ବିଭାଜନ ପରେ ରୁଷ ସହିତ ୟୁକ୍ରେନ ର ଘନିଷ୍ଠ ଆର୍ଥିକ, ରାଜନୈତିକ ଓ ସାଂସ୍କୃତିକ ସମ୍ପର୍କ ରହିଥିଲା। ବିଶ୍ୱର ଦୁଇଟି ମହାଶକ୍ତି ଭାବରେ ସୋଭିଏତ ସଂଘ ଓ ୟୁକ୍ରେନ ଆମେରିକା ମଧ୍ୟରେ ପ୍ରତିସ୍ପର୍ଦ୍ଧା ତଥା ଶୀତଳ ଯୁଦ୍ଧ ଚାଲୁଥିବା ବିଶ୍ୱରେ ବା କାହାକୁ ଅଜଣା! ତେଣୁ ୟୁକ୍ରେନ ସ୍ୱତନ୍ତ୍ର ରାଷ୍ଟ୍ର ହେବା ପରେ, ୟୁକ୍ରେନ ଆମେରିକା, ନାଟୋ ସହିତ ମିଶି ୟୁକ୍ରେନକୁ ସେମାନଙ୍କ ସାମରିକ ସଙ୍ଗଠନ ଆଡକୁ ଟାଣି ଆଣିବାକୁ ସତତ ଚେଷ୍ଟା କରି ଚାଲିଥିଲେ। କାରଣ ୟୁକ୍ରେନ ନାଟୋ ସଙ୍ଗଠନରେ ସାମିଲ ହେଲେ, ପୂର୍ବ ଯୁରୋପ କ୍ଷେତ୍ରରେ ରୁଷର ବର୍ତ୍ତମାନ ଦୁର୍ବଳ କରାଯାଇ ପାରିବ ଓ ଦରକାର ପଡିଲେ ୟୁକ୍ରେନ ରେ ନାଟୋ ଓ ୟୁକ୍ରେନ ଆମେରିକାର ସାମରିକ ସରଞ୍ଚନା ଏବଂ ସୈନ୍ୟ ଆଜ୍ଞା ଗଠିତ କରାଯାଇ ପାରିବ। ୟୁକ୍ରେନ ଯେତେବେଳେ ନାଟୋରେ ସାମିଲ ହେବ ବୋଲି ଘୋଷଣା କଲା। ସେତେବେଳେ ରୁଷର ରାଷ୍ଟ୍ରପତି ମୁଣ୍ଡକୁ ପାରା ଚଢ଼ିଲା କାରଣ ୟୁକ୍ରେନ ବିଭାଜିତ ସୋଭିଏତ ସଂଘର 15 ଟି ରାଷ୍ଟ୍ର ମଧ୍ୟରୁ ଦ୍ୱିତୀୟ ଜନସଂଖ୍ୟା ବହୁଳ ରାଷ୍ଟ୍ର ତଥା ସଂଘର କୃଷି ଉତ୍ପାଦନ କ୍ଷମତାର ଅଧିକାଂଶ ଉତ୍ପାଦନ ୟୁକ୍ରେନରେ ହେଉଥିଲା, ବ୍ଲାକ ସି ର ସାମୁଦ୍ରିକ ସାମରିକ ପୋତ ତାପାଖରେ ଥିଲା, ବଡ଼ ବଡ଼ ସାମରିକ କଳ କାରଖାନା ତାପାଖରେ ଥିଲା ଓ କେତେଗୁଡ଼ିଏ ପରମାଣୁ ଅସ୍ତ୍ର ମଧ୍ୟ ୟୁକ୍ରେନ ପାଖରେ ଥିଲା, ତେଣୁ ୟୁକ୍ରେନ ସାମରିକ ଦୃଷ୍ଟିକୋଣରୁ ତଥା ଶସ୍ୟାନ ଯୋଗାଣ ଦୃଷ୍ଟି କୋଣରୁ ଏତେ ମହତ୍ତ୍ୱପୂର୍ଣ୍ଣ ଥିଲା ଯେ, ତାର ନାଟୋ ସହିତ ନିକଟତା ରୁଷକୁ ଗଭୀର କ୍ଷତି ପହଞ୍ଚାଇବା ସମ୍ଭାବନା ରହିଛି, ତେଣୁ ଏଇ ସମ୍ଭାବନାକୁ ମୂଲ୍ୟାଂକନ କରିବାକୁ ଆକ୍ରମଣ କଲା ବୋଲି ରକ୍ଷା ବିଶେଷଜ୍ଞମାନେ ମତ ପ୍ରକାଶ କରନ୍ତି।

ୟୁକ୍ରେନ ଉପରେ ରୁଷ ର ଆକ୍ରମଣର ସଠିକ୍ କାରଣ କଣ?

- A. ୟୁକ୍ରେନ ଆକ୍ରମଣର ପ୍ରତିଉତ୍ତରରେ ରୁଷ ଆକ୍ରମଣ କଲା
- B. ରୁଷ ବିସ୍ତାରବାଦି ନୀତିରେ ୟୁକ୍ରେନକୁ ଅଭିଆର କରିବାକୁ ଚାହୁଁଥିଲା
- C. ୟୁକ୍ରେନ, ରୁଷକୁ ଖାଦ୍ୟାନ ଯୋଗାଇବା ବନ୍ଦ କରି ନାଟୋକୁ ଦେବାକୁ ଲାଗିଲା
- D. ୟୁକ୍ରେନ, ନାଟୋରେ ସମ୍ମିଳିତ ହେବ ବୋଲି ଘୋଷଣା କରିବାରୁ ରୁଷ ଆକ୍ରମଣ କଲା

ନିମ୍ନ ଲିଖିତ ଉତ୍ତର ମଧ୍ୟରୁ ସଠିକ ଉତ୍ତରଟି ଚିହ୍ନଟ କରନ୍ତୁ:

- 1. B
- 2. A
- 3. C
- 4. D

Options :

- 485584137261. 1
- 485584137262. 2
- 485584137263. 3
- 485584137264. 4

Question Number : 62 Question Id : 48558434317 Question Type : MCQ Option Shuffling : No Is Question Mandatory : No Calculator : None Response Time : N.A Think Time : N.A Minimum Instruction Time : 0 Correct Marks : 5 Wrong Marks : 1 Question Key Details :

Key	Value
Comprehension	Comp3

ରୁଷ ଓ ୟୁକ୍ରେନ ମଧ୍ୟରେ ପ୍ରାୟ ଏକ ବର୍ଷ ହେବ ଯୁଦ୍ଧ ଲାଗିରହିଛି। ଏଇ ଯୁଦ୍ଧର କାରଣ ଜାଣିବାକୁ ହେଲେ ଦୁଇ ଦେଶର ଇତିହାସ ଜାଣିବା ଅତ୍ୟନ୍ତ ଆବଶ୍ୟକ। 1991 ମସିହାରେ ସୋଭିଏତ ସଂଘ ବା ୟୁଏସଏସଆର ବିଭାଜିତ ହୋଇ 15 ଟି ସ୍ୱତନ୍ତ୍ର ସାର୍ବଭୌମ ରାଷ୍ଟ୍ର ଗଠନ ହେଲା। ତତ୍କାଳୀନ ସୋଭିଏତ ସଂଘର ଆର୍ଥିକ ଦୁରାବସ୍ଥା ତଥା ତତକ୍ଷଣିକ ଗୃହ ଯୁଦ୍ଧରୁ ମୁକ୍ତି ପାଇବା ପାଇଁ ଏଇ ରାଷ୍ଟ୍ର ମାନେ ସ୍ୱତନ୍ତ୍ର ହେବାକୁ ଆନ୍ଦୋଳନ କରୁଥିଲେ, ଯାହାର ଫଳ ସ୍ୱରୂପ ସେଇ ବିଭାଜନ ହୋଇଥିଲା। ତାମଧ୍ୟରୁ ୟୁକ୍ରେନ ଅନ୍ୟତମ, ଯିଏ ସ୍ୱତନ୍ତ୍ର ରାଷ୍ଟ୍ରରେ ପରିଣତ ହେବା କିଛି ବର୍ଷ ପର୍ଯ୍ୟନ୍ତ ନିରପେକ୍ଷ ନୀତି ପାଳନ କରି ଯୁରୋପିଏନ ସଂଘ (ନାଟୋ), ରୁଷ ଓ ଅନ୍ୟ ଶକ୍ତିଶାଳୀ ରାଜନୈତିକ ତାକତ ମାନଙ୍କ ସହିତ ସମ୍ପର୍କ ରଖି ଆସୁଥିଲା। ବିଭାଜନ ପୂର୍ବରୁ ସୋଭିଏତ ସଂଘର, ୟୁକ୍ରେନ, ଗୋଟିଏ ମହତ୍ତ୍ୱପୂର୍ଣ୍ଣ ପ୍ରାନ୍ତ ଥିବାରୁ, ବିଭାଜନ ପରେ ରୁଷ ସହିତ ୟୁକ୍ରେନ ର ଘନିଷ୍ଠ ଆର୍ଥିକ, ରାଜନୈତିକ ଓ ସାଂସ୍କୃତିକ ସମ୍ପର୍କ ରହିଥିଲା। ବିଶ୍ୱର ଦୁଇଟି ମହାଶକ୍ତି ଭାବରେ ସୋଭିଏତ ସଂଘ ଓ ଯୁକ୍ରେନ ଆମେରିକା ମଧ୍ୟରେ ପ୍ରତିସ୍ପର୍ଦ୍ଧା ତଥା ଶୀତଳ ଯୁଦ୍ଧ ଚାଲୁଥିବା ବିଶ୍ୱରେ ବା କାହାକୁ ଅଜଣା! ତେଣୁ ୟୁକ୍ରେନ ସ୍ୱତନ୍ତ୍ର ରାଷ୍ଟ୍ର ହେବା ପରେ, ଯୁକ୍ରେନ ଆମେରିକା, ନାଟୋ ସହିତ ମିଶି ୟୁକ୍ରେନକୁ ସେମାନଙ୍କ ସାମରିକ ସଙ୍ଗଠନ ଆଡକୁ ଟାଣି ଆଣିବାକୁ ସତତ ଚେଷ୍ଟା କରି ଚାଲିଥିଲେ। କାରଣ ୟୁକ୍ରେନ ନାଟୋ ସଙ୍ଗଠନରେ ସାମିଲ ହେଲେ, ପୂର୍ବ ଯୁରୋପ କ୍ଷେତ୍ରରେ ରୁଷର ବର୍ତ୍ତମାନ ଦୁର୍ବଳ କରାଯାଇ ପାରିବ ଓ ଦରକାର ପଡିଲେ ୟୁକ୍ରେନ ରେ ନାଟୋ ଓ ଯୁକ୍ରେନ ଆମେରିକାର ସାମରିକ ସରଞ୍ଚାମ ଏବଂ ସୈନ୍ୟ ଆଜ୍ଞା ଗଠିତ କରାଯାଇ ପାରିବ। ୟୁକ୍ରେନ ଯେତେବେଳେ ନାଟୋରେ ସାମିଲ ହେବ ବୋଲି ଘୋଷଣା କଲା। ସେତେବେଳେ ରୁଷର ରାଷ୍ଟ୍ରପତି ମୁଣ୍ଡକୁ ପାରା ଚଢ଼ିଲା କାରଣ ୟୁକ୍ରେନ ବିଭାଜିତ ସୋଭିଏତ ସଂଘର 15 ଟି ରାଷ୍ଟ୍ର ମଧ୍ୟରୁ ହିତାୟ ଜନସଂଖ୍ୟା ବହୁଳ ରାଷ୍ଟ୍ର ତଥା ସଂଘର କୃଷି ଉତ୍ପାଦନ କ୍ଷମତାର ଅଧିକାଂଶ ଉତ୍ପାଦନ ୟୁକ୍ରେନରେ ହେଉଥିଲା, ବ୍ଲାକ ସି ର ସାମୁଦ୍ରିକ ସାମରିକ ପୋତ ତାପାଖରେ ଥିଲା, ବଡ଼ ବଡ଼ ସାମରିକ କଳ କାରଖାନା ତାପାଖରେ ଥିଲା ଓ କେତେଗୁଡ଼ିଏ ପରମାଣୁ ଅସ୍ତ୍ର ମଧ୍ୟ ୟୁକ୍ରେନ ପାଖରେ ଥିଲା, ତେଣୁ ୟୁକ୍ରେନ ସାମରିକ ଦୃଷ୍ଟିକୋଣରୁ ତଥା ଶସ୍ୟାନ ଯୋଗାଣ ଦୃଷ୍ଟି କୋଣରୁ ଏତେ ମହତ୍ତ୍ୱପୂର୍ଣ୍ଣ ଥିଲା ଯେ, ତାର ନାଟୋ ସହିତ ନିକଟତା ରୁଷକୁ ଗଭୀର କ୍ଷତି ପହଞ୍ଚାଇବା ସମ୍ଭାବନା ରହିଛି, ତେଣୁ ଏଇ ସମ୍ଭାବନାକୁ ମୂଲୋଦ୍ଧାଟନ କରିବାକୁ ଆକ୍ରମଣ କଲା ବୋଲି ରକ୍ଷା ବିଶେଷଜ୍ଞମାନେ ମତ ପ୍ରକାଶ କରନ୍ତି।

ରୁଷ ପାଇଁ ୟୁକ୍ରେନ କାହିଁକି ମହତ୍ତ୍ୱପୂର୍ଣ୍ଣ ଥିଲା?

- ରୁଷ ସହିତ ୟୁକ୍ରେନ ର ଆର୍ଥିକ, ରାଜନୈତିକ, ସାଂସ୍କୃତିକ ସମ୍ପର୍କ ଘନିଷ୍ଠ ଥିଲା
- ବ୍ଲାକ ସି ର ସାମୁଦ୍ରିକ ସାମରିକ ପୋତ ୟୁକ୍ରେନ ପାଖରେ ଥିଲା, ଯାହା ଅବିଭାଜିତ ସୋଭିଏତ ସଂଘ ବେଳରୁ ସାମରିକ ରଣନୀତିର ମୁଖ୍ୟ ଅଙ୍ଗ ଥିଲା
- ୟୁକ୍ରେନ ପାଖରେ ବଡ଼ ବଡ଼ ସାମରିକ କଳ କାରଖାନା ଓ କେତେ ଗୁଡ଼ିଏ ପରମାଣୁ ଅସ୍ତ୍ର ମଧ୍ୟ ଥିଲା
- ୟୁକ୍ରେନ ରୁଷିଆ କୁ କଞ୍ଚା ତୈଳ ରପ୍ତାନି କରୁଥିଲା

ନିମ୍ନ ପ୍ରଦତ୍ତ ବିକଳ୍ପ ମଧ୍ୟରୁ କେଉଁଟି ସଠିକ୍ ଉତ୍ତର ଚିହ୍ନଟ କରି ଉତ୍ତର ଦିଅନ୍ତୁ

- D, B, C
- A, B, D
- A, D, C
- A, C, B

**Options :**

485584137265. 1  
485584137266. 2  
485584137267. 3  
485584137268. 4

Question Number : 63 Question Id : 48558434318 Question Type : MCQ Option Shuffling : No Is Question Mandatory : No Calculator : None Response Time : N.A Think Time : N.A Minimum Instruction Time : 0

Correct Marks : 5 Wrong Marks : 1

Question Key Details :

Key	Value
Comprehension	Comp3

ରୁଷ ଓ ୟୁକ୍ରେନ ମଧ୍ୟରେ ପ୍ରାୟ ଏକ ବର୍ଷ ହେବ ଯୁଦ୍ଧ ଲାଗିରହିଛି। ଏଇ ଯୁଦ୍ଧର କାରଣ ଜାଣିବାକୁ ହେଲେ ଦୁଇ ଦେଶର ଇତିହାସ ଜାଣିବା ଅତ୍ୟନ୍ତ ଆବଶ୍ୟକ। 1991 ମସିହାରେ ସୋଭିଏତ ସଂଘ ବା ୟୁଏସଏସଆର ବିଭାଜିତ ହୋଇ 15 ଟି ସ୍ୱତନ୍ତ୍ର ସାର୍ବଭୌମ ରାଷ୍ଟ୍ର ଗଠନ ହେଲା। ତତ୍କାଳୀନ ସୋଭିଏତ ସଂଘର ଆର୍ଥିକ ଦୁରାବସ୍ଥା ତଥା ତତକଳିତ ଗୃହ ଯୁଦ୍ଧରୁ ମୁକ୍ତି ପାଇବା ପାଇଁ ଏଇ ରାଷ୍ଟ୍ର ମାନେ ସ୍ୱତନ୍ତ୍ର ହେବାକୁ ଆନ୍ଦୋଳନ କରୁଥିଲେ, ଯାହାର ଫଳ ସ୍ୱରୂପ ସେଇ ବିଭାଜନ ହୋଇଥିଲା। ତାମଧ୍ୟରୁ ୟୁକ୍ରେନ ଅନ୍ୟତମ, ଯିଏ ସ୍ୱତନ୍ତ୍ର ରାଷ୍ଟ୍ରରେ ପରିଣତ ହେବା କିଛି ବର୍ଷ ପର୍ଯ୍ୟନ୍ତ ନିରପେକ୍ଷ ନୀତି ପାଳନ କରି ଯୁରୋପିଏନ ସଂଘ (ନାଟୋ), ରୁଷ ଓ ଅନ୍ୟ ଶକ୍ତିଶାଳୀ ରାଜନୈତିକ ତାକତ ମାନଙ୍କ ସହିତ ସମ୍ପର୍କ ରଖି ଆସୁଥିଲା। ବିଭାଜନ ପୂର୍ବରୁ ସୋଭିଏତ ସଂଘର, ୟୁକ୍ରେନ, ଗୋଟିଏ ମହତ୍ତ୍ୱପୂର୍ଣ୍ଣ ପ୍ରାନ୍ତ ଥିବାରୁ, ବିଭାଜନ ପରେ ରୁଷ ସହିତ ୟୁକ୍ରେନ ର ଘନିଷ୍ଠ ଆର୍ଥିକ, ରାଜନୈତିକ ଓ ସାଂସ୍କୃତିକ ସମ୍ପର୍କ ରହିଥିଲା। ବିଶ୍ୱର ଦୁଇଟି ମହାଶକ୍ତି ଭାବରେ ସୋଭିଏତ ସଂଘ ଓ ୟୁକ୍ରେନ ଆମେରିକା ମଧ୍ୟରେ ପ୍ରତିସ୍ପର୍ଦ୍ଧା ତଥା ଶୀତଳ ଯୁଦ୍ଧ ଚାଲୁଥିବା ବିଶ୍ୱରେ ବା କାହାକୁ ଅଜଣା! ତେଣୁ ୟୁକ୍ରେନ ସ୍ୱତନ୍ତ୍ର ରାଷ୍ଟ୍ର ହେବା ପରେ, ୟୁକ୍ରେନ ଆମେରିକା, ନାଟୋ ସହିତ ମିଶି ୟୁକ୍ରେନକୁ ସେମାନଙ୍କ ସାମରିକ ସଙ୍ଗଠନ ଆଡକୁ ଟାଣି ଆଣିବାକୁ ସତତ ଚେଷ୍ଟା କରି ଚାଲିଥିଲେ। କାରଣ ୟୁକ୍ରେନ ନାଟୋ ସଙ୍ଗଠନରେ ସାମିଲ ହେଲେ, ପୂର୍ବ ଯୁରୋପ କ୍ଷେତ୍ରରେ ରୁଷର ବର୍ଦ୍ଧିତ ଦୁର୍ବଳ କରାଯାଇ ପାରିବ ଓ ଦରକାର ପଡିଲେ ୟୁକ୍ରେନ ରେ ନାଟୋ ଓ ୟୁକ୍ରେନ ଆମେରିକାର ସାମରିକ ସରଞ୍ଚନା ଏବଂ ସୈନ୍ୟ ଆଜ୍ଞା ଗଠିତ କରାଯାଇ ପାରିବ। ୟୁକ୍ରେନ ଯେତେବେଳେ ନାଟୋରେ ସାମିଲ ହେବ ବୋଲି ଘୋଷଣା କଲା। ସେତେବେଳେ ରୁଷର ରାଷ୍ଟ୍ରପତି ମୁଣ୍ଡକୁ ପାରା ଚଢ଼ିଲା କାରଣ ୟୁକ୍ରେନ ବିଭାଜିତ ସୋଭିଏତ ସଂଘର 15 ଟି ରାଷ୍ଟ୍ର ମଧ୍ୟରୁ ଦ୍ୱିତୀୟ ଜନସଂଖ୍ୟା ବହୁଳ ରାଷ୍ଟ୍ର ତଥା ସଂଘର କୃଷି ଉତ୍ପାଦନ କ୍ଷମତାର ଅଧିକାଂଶ ଉତ୍ପାଦନ ୟୁକ୍ରେନରେ ହେଉଥିଲା, ବ୍ଲାକ ସି ର ସାମଦ୍ରିକ ସାମରିକ ପୋତ ତାପାଖରେ ଥିଲା, ବଡ଼ ବଡ଼ ସାମରିକ କଳ କାରଖାନା ତାପାଖରେ ଥିଲା ଓ କେତେଗୁଡ଼ିଏ ପରମାଣୁ ଅସ୍ତ୍ର ମଧ୍ୟ ୟୁକ୍ରେନ ପାଖରେ ଥିଲା, ତେଣୁ ୟୁକ୍ରେନ ସାମରିକ ଦୃଷ୍ଟିକୋଣରୁ ତଥା ଶସ୍ୟାନ ଯୋଗାଣ ଦୃଷ୍ଟି କୋଣରୁ ଏତେ ମହତ୍ତ୍ୱପୂର୍ଣ୍ଣ ଥିଲା ଯେ, ତାର ନାଟୋ ସହିତ ନିକଟତା ରୁଷକୁ ଗଭୀର କ୍ଷତି ପହଞ୍ଚାଇବା ସମ୍ଭାବନା ରହିଛି, ତେଣୁ ଏଇ ସମ୍ଭାବନାକୁ ମୂଳୋତ୍ପାଟନ କରିବାକୁ ଆକ୍ରମଣ କଲା ବୋଲି ରକ୍ଷା ବିଶେଷଜ୍ଞମାନେ ମତ ପ୍ରକାଶ କରନ୍ତି।

ନିରପେକ୍ଷ ନୀତି ମାନେ କଣ?

- A. ସମସ୍ତଙ୍କ ସ୍ୱାପନ କରିବା।
- B. କୌଣସି ସାମରିକ ସଙ୍ଗଠନରେ ଭାଗ ନ ନେବା।
- C. ରାଜନୈତିକ ସମତୁରତା ପାଳନ କରିବା।
- D. ନାଟୋର ଗୋଟିଏ ସକ୍ରିୟ ସଦସ୍ୟ ହେବା।

ନିମ୍ନ ପ୍ରଦତ୍ତ ଉତ୍ତର ଗୁଡ଼ିକରୁ ସଠିକ ଉତ୍ତରକୁ ଚିହ୍ନଟ କରନ୍ତୁ:

- 1. B, C, D
- 2. C, D, A
- 3. A, C, B
- 4. A, D, B

Options :

- 485584137269. 1
- 485584137270. 2
- 485584137271. 3



**Question Number : 64 Question Id : 48558434319 Question Type : MCQ Option Shuffling : No Is Question Mandatory : No Calculator : None Response Time : N.A Think Time : N.A Minimum Instruction Time : 0**

**Correct Marks : 5 Wrong Marks : 1**

**Question Key Details :**

Key	Value
Comprehension	Comp3

ରୁଷ ଓ ୟୁକ୍ରେନ ମଧ୍ୟରେ ପ୍ରାୟ ଏକ ବର୍ଷ ହେବ ଯୁଦ୍ଧ ଲାଗିରହିଛି। ଏଇ ଯୁଦ୍ଧର କାରଣ ଜାଣିବାକୁ ହେଲେ ଦୁଇ ଦେଶର ଇତିହାସ ଜାଣିବା ଅତ୍ୟନ୍ତ ଆବଶ୍ୟକ। 1991 ମସିହାରେ ସୋଭିଏତ ସଂଘ ବା ୟୁଏସଏସଆର ବିଭାଜିତ ହୋଇ 15 ଟି ସ୍ୱତନ୍ତ୍ର ସାର୍ବଭୌମ ରାଷ୍ଟ୍ରର ଗଠନ ହେଲା। ତତ୍କାଳୀନ ସୋଭିଏତ ସଂଘର ଆର୍ଥିକ ଦୁରାବସ୍ଥା ତଥା ତତକଳିତ ଗୃହ ଯୁଦ୍ଧରୁ ମୁକ୍ତି ପାଇବା ପାଇଁ ଏଇ ରାଷ୍ଟ୍ର ମାନେ ସ୍ୱତନ୍ତ୍ର ହେବାକୁ ଆନ୍ଦୋଳନ କରୁଥିଲେ, ଯାହାର ଫଳ ସ୍ୱରୂପ ସେଇ ବିଭାଜନ ହୋଇଥିଲା। ତାମଧ୍ୟରୁ ୟୁକ୍ରେନ ଅନ୍ୟତମ, ଯିଏ ସ୍ୱତନ୍ତ୍ର ରାଷ୍ଟ୍ରରେ ପରିଣତ ହେବା କିଛି ବର୍ଷ ପର୍ଯ୍ୟନ୍ତ ନିରପେକ୍ଷ ନୀତି ପାଳନ କରି ଯୁରୋପିଏନ ସଂଘ (ନାଟୋ), ରୁଷ ଓ ଅନ୍ୟ ଶକ୍ତିଶାଳୀ ରାଜନୈତିକ ତାକତ ମାନଙ୍କ ସହିତ ସମ୍ପର୍କ ରଖି ଆସୁଥିଲା। ବିଭାଜନ ପୂର୍ବରୁ ସୋଭିଏତ ସଂଘର, ୟୁକ୍ରେନ, ଗୋଟିଏ ମହତ୍ତ୍ୱପୂର୍ଣ୍ଣ ପ୍ରାନ୍ତ ଥିବାରୁ, ବିଭାଜନ ପରେ ରୁଷ ସହିତ ୟୁକ୍ରେନ ର ଘନିଷ୍ଠ ଆର୍ଥିକ, ରାଜନୈତିକ ଓ ସାଂସ୍କୃତିକ ସମ୍ପର୍କ ରହିଥିଲା। ବିଶ୍ୱର ଦୁଇଟି ମହାଶକ୍ତି ଭାବରେ ସୋଭିଏତ ସଂଘ ଓ ଯୁକ୍ତରାଷ୍ଟ୍ର ଆମେରିକା ମଧ୍ୟରେ ପ୍ରତିସ୍ପର୍ଦ୍ଧା ତଥା ଶୀତଳ ଯୁଦ୍ଧ ଚାଲୁଥିବା ବିଶ୍ୱରେ ବା କାହାକୁ ଅଜଣା! ତେଣୁ ୟୁକ୍ରେନ ସ୍ୱତନ୍ତ୍ର ରାଷ୍ଟ୍ର ହେବା ପରେ, ଯୁକ୍ତରାଷ୍ଟ୍ର ଆମେରିକା, ନାଟୋ ସହିତ ମିଶି ୟୁକ୍ରେନକୁ ସେମାନଙ୍କ ସାମରିକ ସଙ୍ଗଠନ ଆଡକୁ ଟାଣି ଆଣିବାକୁ ସତତ ଚେଷ୍ଟା କରି ଚାଲିଥିଲେ। କାରଣ ୟୁକ୍ରେନ ନାଟୋ ସଙ୍ଗଠନରେ ସାମିଲ ହେଲେ, ପୂର୍ବ ଯୁରୋପ କ୍ଷେତ୍ରରେ ରୁଷର ବର୍ଦ୍ଧିତ ଦୁର୍ବଳ କରାଯାଇ ପାରିବ ଓ ଦରକାର ପଡିଲେ ୟୁକ୍ରେନ ରେ ନାଟୋ ଓ ଯୁକ୍ତରାଷ୍ଟ୍ର ଆମେରିକାର ସାମରିକ ସରଞ୍ଚାମ ଏବଂ ସୈନ୍ୟ ଆଜ୍ଞା ଗଠିତ କରାଯାଇ ପାରିବ। ୟୁକ୍ରେନ ଯେତେବେଳେ ନାଟୋରେ ସାମିଲ ହେବ ବୋଲି ଘୋଷଣା କଲା। ସେତେବେଳେ ରୁଷର ରାଷ୍ଟ୍ରପତି ମୁଣ୍ଡକୁ ପାରା ଚଢ଼ିଲା କାରଣ ୟୁକ୍ରେନ ବିଭାଜିତ ସୋଭିଏତ ସଂଘର 15 ଟି ରାଷ୍ଟ୍ର ମଧ୍ୟରୁ ଦ୍ୱିତୀୟ ଜନସଂଖ୍ୟା ବହୁଳ ରାଷ୍ଟ୍ର ତଥା ସଂଘର କୃଷି ଉତ୍ପାଦନ କ୍ଷମତାର ଅଧିକାଂଶ ଉତ୍ପାଦନ ୟୁକ୍ରେନରେ ହେଉଥିଲା, ବ୍ଲାକ୍ ସି ର ସାମୁଦ୍ରିକ ସାମରିକ ପୋତ ତାପାଖରେ ଥିଲା, ବଡ଼ ବଡ଼ ସାମରିକ କଳ କାରଖାନା ତାପାଖରେ ଥିଲା ଓ କେତେଗୁଡ଼ିଏ ପରମାଣୁ ଅସ୍ତ୍ର ମଧ୍ୟ ୟୁକ୍ରେନ ପାଖରେ ଥିଲା, ତେଣୁ ୟୁକ୍ରେନ ସାମରିକ ଦୃଷ୍ଟିକୋଣରୁ ତଥା ଶସ୍ୟାନ ଯୋଗାଣ ଦୃଷ୍ଟି କୋଣରୁ ଏତେ ମହତ୍ତ୍ୱପୂର୍ଣ୍ଣ ଥିଲା ଯେ, ତାର ନାଟୋ ସହିତ ନିକଟତା ରୁଷକୁ ଗଭୀର କ୍ଷତି ପହଞ୍ଚାଇବା ସମ୍ଭାବନା ରହିଛି, ତେଣୁ ଏଇ ସମ୍ଭାବନାକୁ ମୁଲୋଦ୍ଦପାତନ କରିବାକୁ ଆକ୍ରମଣ କଲା ବୋଲି ରକ୍ଷା ବିଶେଷଜ୍ଞମାନେ ମତ ପ୍ରକାଶ କରନ୍ତି।

ସୋଭିଏତ ସଂଘର ବିଭାଜନ କାରଣ କଣ?

- A. ଇତିସଂଘ ସୋଭିଏତ ସଂଘକୁ ନିର୍ଦ୍ଦେଶ ଦେଇଥିଲେ ବିଭାଜନ ପାଇଁ
- B. ସୋଭିଏତ ସଂଘର ତତ୍କାଳୀନ ଆର୍ଥିକ ଦୁରାବସ୍ଥା
- C. ସୋଭିଏତ ସଂଘ ର ବିଭିନ୍ନ ପ୍ରାନ୍ତରେ ଲାଗି ରହିଥିବା ଗୃହ ଯୁଦ୍ଧ
- D. ସୋଭିଏତ ସଂଘର କିଛି ପ୍ରାନ୍ତରେ ସ୍ୱତନ୍ତ୍ର ହେବା ନିୟନ୍ତ୍ରଣ ବାହାରେ ହେଉଥିବା ଆନ୍ଦୋଳନ

ନିମ୍ନଲିଖିତ ଉତ୍ତର ମଧ୍ୟରୁ କେଉଁଟି ସଠିକ ଉତ୍ତର ଚିହ୍ନଟ କରନ୍ତୁ:

- 1. A, B, C
- 2. D, C, A
- 3. A, B, D
- 4. B, C, D

**Options :**

485584137273. 1

485584137274. 2

485584137275. 3

485584137276. 4

**Question Number : 65 Question Id : 48558434320 Question Type : MCQ Option Shuffling : No Is Question Mandatory : No Calculator : None Response Time : N.A Think Time : N.A Minimum Instruction Time : 0**

**Correct Marks : 5 Wrong Marks : 1**

**Question Key Details :**

Key	Value
Comprehension	Comp3

ରୁଷ ଓ ୟୁକ୍ରେନ ମଧ୍ୟରେ ପ୍ରାୟ ଏକ ବର୍ଷ ହେବ ଯୁଦ୍ଧ ଲାଗିରହିଛି। ଏଇ ଯୁଦ୍ଧର କାରଣ ଜାଣିବାକୁ ହେଲେ ଦୁଇ ଦେଶର ଇତିହାସ ଜାଣିବା ଅତ୍ୟନ୍ତ ଆବଶ୍ୟକ। 1991 ମସିହାରେ ସୋଭିଏତ ସଂଘ ବା ୟୁଏସଏସଆର ବିଭାଜିତ ହୋଇ 15 ଟି ସ୍ୱତନ୍ତ୍ର ସାର୍ବଭୌମ ରାଷ୍ଟ୍ର ଗଠନ ହେଲା। ତତ୍କାଳୀନ ସୋଭିଏତ ସଂଘର ଆର୍ଥିକ ଦୁରାବସ୍ଥା ତଥା ତତକଳିତ ଗୃହ ଯୁଦ୍ଧରୁ ମୁକ୍ତି ପାଇବା ପାଇଁ ଏଇ ରାଷ୍ଟ୍ର ମାନେ ସ୍ୱତନ୍ତ୍ର ହେବାକୁ ଆନ୍ଦୋଳନ କରୁଥିଲେ, ଯାହାର ଫଳ ସ୍ୱରୂପ ସେଇ ବିଭାଜନ ହୋଇଥିଲା। ତାମଧ୍ୟରୁ ୟୁକ୍ରେନ ଅନ୍ୟତମ, ଯିଏ ସ୍ୱତନ୍ତ୍ର ରାଷ୍ଟ୍ରରେ ପରିଣତ ହେବା କିଛି ବର୍ଷ ପର୍ଯ୍ୟନ୍ତ ନିରପେକ୍ଷ ନୀତି ପାଳନ କରି ୟୁରୋପିଏନ ସଂଘ (ନାଟୋ), ରୁଷ ଓ ଅନ୍ୟ ଶକ୍ତିଶାଳୀ ରାଜନୈତିକ ଡାକତ ମାନକ ସହିତ ସମ୍ପର୍କ ରଖି ଆସୁଥିଲା। ବିଭାଜନ ପୂର୍ବରୁ ସୋଭିଏତ ସଂଘର, ୟୁକ୍ରେନ, ଗୋଟିଏ ମହତ୍ତ୍ୱପୂର୍ଣ୍ଣ ପ୍ରାନ୍ତ ଥିବାରୁ, ବିଭାଜନ ପରେ ରୁଷ ସହିତ ୟୁକ୍ରେନ ର ଘନିଷ୍ଠ ଆର୍ଥିକ, ରାଜନୈତିକ ଓ ସାଂସ୍କୃତିକ ସମ୍ପର୍କ ରହିଥିଲା। ବିଶ୍ୱର ଦୁଇଟି ମହାଶକ୍ତି ଭାବରେ ସୋଭିଏତ ସଂଘ ଓ ୟୁକ୍ରେନ ଆମେରିକା ମଧ୍ୟରେ ପ୍ରତିସ୍ପର୍ଦ୍ଧା ତଥା ଶୀତଳ ଯୁଦ୍ଧ ଚାଲୁଥିବା ବିଶ୍ୱରେ ବା କାହାକୁ ଅଜଣା! ତେଣୁ ୟୁକ୍ରେନ ସ୍ୱତନ୍ତ୍ର ରାଷ୍ଟ୍ର ହେବା ପରେ, ୟୁକ୍ରେନ ଆମେରିକା, ନାଟୋ ସହିତ ମିଶି ୟୁକ୍ରେନକୁ ସେମାନଙ୍କ ସାମରିକ ସଙ୍ଗଠନ ଆଡକୁ ଟାଣି ଆଣିବାକୁ ସତତ ଚେଷ୍ଟା କରି ଚାଲିଥିଲେ। କାରଣ ୟୁକ୍ରେନ ନାଟୋ ସଙ୍ଗଠନରେ ସାମିଲ ହେଲେ, ପୂର୍ବ ୟୁରୋପ କ୍ଷେତ୍ରରେ ରୁଷର ବର୍ତ୍ତମାନ ଦୁର୍ବଳ କରାଯାଇ ପାରିବ ଓ ଦରକାର ପଡିଲେ ୟୁକ୍ରେନ ରେ ନାଟୋ ଓ ୟୁକ୍ରେନ ଆମେରିକାର ସାମରିକ ସରଞ୍ଜାମ ଏବଂ ସୈନ୍ୟ ଆଜ୍ଞା ଗଠିତ କରାଯାଇ ପାରିବ। ୟୁକ୍ରେନ ଯେତେବେଳେ ନାଟୋରେ ସାମିଲ ହେବ ବୋଲି ଘୋଷଣା କଲା। ସେତେବେଳେ ରୁଷର ରାଷ୍ଟ୍ରପତି ପୁଣିକୁ ପାରା ଚଢ଼ିଲା କାରଣ ୟୁକ୍ରେନ ବିଭାଜିତ ସୋଭିଏତ ସଂଘର 15 ଟି ରାଷ୍ଟ୍ର ମଧ୍ୟରୁ ଦ୍ୱିତୀୟ ଜନସଂଖ୍ୟା ବହୁଳ ରାଷ୍ଟ୍ର ତଥା ସଂଘର କୃଷି ଉତ୍ପାଦନ କ୍ଷମତାର ଅଧିକାଂଶ ଉତ୍ପାଦନ ୟୁକ୍ରେନରେ ହେଉଥିଲା, ବ୍ଲାକ ସି ର ସାମଦ୍ରିକ ସାମରିକ ପୋତ ତାପାଖରେ ଥିଲା, ବଡ଼ ବଡ଼ ସାମରିକ କଳ କାରଖାନା ତାପାଖରେ ଥିଲା ଓ କେତେଗୁଡ଼ିଏ ପରମାଣୁ ଅସ୍ତ୍ର ମଧ୍ୟ ୟୁକ୍ରେନ ପାଖରେ ଥିଲା, ତେଣୁ ୟୁକ୍ରେନ ସାମରିକ ଦୃଷ୍ଟିକୋଣରୁ ତଥା ଶସ୍ୟାନ ଯୋଗାଣ ଦୃଷ୍ଟି କୋଣରୁ ଏତେ ମହତ୍ତ୍ୱପୂର୍ଣ୍ଣ ଥିଲା ଯେ, ତାର ନାଟୋ ସହିତ ନିକଟତା ରୁଷକୁ ଗଭୀର କ୍ଷତି ପହଞ୍ଚାଇବା ସମ୍ଭାବନା ରହିଛି, ତେଣୁ ଏଇ ସମ୍ଭାବନାକୁ ମୂଳୋତ୍ପାଟନ କରିବାକୁ ଆକ୍ରମଣ କଲା ବୋଲି ରକ୍ଷା ବିଶେଷଜ୍ଞମାନେ ମତ ପ୍ରକାଶ କରନ୍ତି।

ସମସ୍ତଙ୍କ ଶବ୍ଦରେ କେଉଁ ସମାପ ପ୍ରୟୋଗ ହେଇଛି

- A. ଦ୍ୱିଗୁ
- B. ଦ୍ୱନ୍ଦ
- C. ବହୁବିହ
- D. ତପୁରୁଷ

ନିମ୍ନ ଲିଖିତ ଉତ୍ତର ମଧ୍ୟରୁ ସଠିକ ଉତ୍ତରଟି ଚିହ୍ନଟ କରନ୍ତୁ:

- 1. A
- 2. C
- 3. D
- 4. B

**Options :**

- 485584137277. 1
- 485584137278. 2
- 485584137279. 3
- 485584137280. 4

**Sub-Section Number :**

4

**Sub-Section Id :**

4855842517

**Question Shuffling Allowed :**

Yes

**Is Section Default? :**

null

**Question Number : 66 Question Id : 48558434321 Question Type : MCQ Option Shuffling : No Is Question Mandatory : No Calculator : None Response Time : N.A Think Time : N.A Minimum Instruction Time : 0**

**Correct Marks : 5 Wrong Marks : 1****Question Key Details :**

Key	Value
Comprehension	MCQ

ରାମାୟଣରେ ସୀତାଙ୍କ ଅନ୍ୟ ନାମ 'ବୈଦେହୀ' ହେବାର କାରଣ କଣ?

1. ସିଏ ବିଶେଷ ଦେହଧାରିଣୀ ଥିଲେ
2. ସିଏ ବିଦେଶିନୀ ଜନ୍ମା ଥିଲେ
3. ସିଏ ଦେହ ବିହିନ ଜନ୍ମା ଥିଲେ
4. ସିଏ ବିଦେହର ଜନ୍ମା ଥିଲେ

**Options :**

- 485584137281. 1
- 485584137282. 2
- 485584137283. 3
- 485584137284. 4

**Question Number : 67 Question Id : 48558434322 Question Type : MCQ Option Shuffling : No Is Question Mandatory : No Calculator : None Response Time : N.A Think Time : N.A Minimum Instruction Time : 0**

**Correct Marks : 5 Wrong Marks : 1****Question Key Details :**

Key	Value
Comprehension	MCQ

'ତପସ୍ବିନୀ' କିଏ ଲେଖିଥିଲେ?

1. ରାଧାନାଥ ରାୟ
2. ଉପେନ୍ଦ୍ର ଭଞ୍ଜ
3. ଫକୀର ମୋହନ ସେନାପତି
4. ଗଙ୍ଗାଧର ମେହେର

**Options :**

485584137285. 1  
485584137286. 2  
485584137287. 3  
485584137288. 4

**Question Number : 68 Question Id : 48558434323 Question Type : MCQ Option Shuffling : No Is Question Mandatory : No Calculator : None Response Time : N.A Think Time : N.A Minimum Instruction Time : 0**

**Correct Marks : 5 Wrong Marks : 1**

**Question Key Details :**

Key	Value
Comprehension	MCQ

ପଶ୍ଚିମ ଓଡ଼ିଶାର ସମ୍ବଲପୁର ଠାରେ କେଉଁ ପ୍ରସିଦ୍ଧ ଲେଖକ ତଥା କବିଙ୍କ ଜନ୍ମ ଦିନରେ 'ସମ୍ବଲପୁରୀ ଦିନ' ପାଳନ ହୁଏ?

1. ସତ୍ୟ ନାରାୟଣ ବୋହିଦାର
2. ଶୈଲେଶ ପଟ୍ଟନାୟକ
3. ମିତ୍ରଭାନୁ ଗୋଉଡ଼ିଆ
4. ପଦ୍ମଶ୍ରୀ ହଳଧର ନାଗ

**Options :**

485584137289. 1  
485584137290. 2  
485584137291. 3  
485584137292. 4

**Question Number : 69 Question Id : 48558434324 Question Type : MCQ Option Shuffling : No Is Question Mandatory : No Calculator : None Response Time : N.A Think Time : N.A Minimum Instruction Time : 0**

**Correct Marks : 5 Wrong Marks : 1**

**Question Key Details :**

Key	Value
Comprehension	MCQ

ସର୍ବ ବୃହତ ପ୍ରସାରିତ ଓଡ଼ିଆ ଦୈନିକ ସମାଚାର ପତ୍ର 'ସମ୍ବାଦ' ର ସମ୍ପାଦକ କିଏ?

1. ନିରଞ୍ଜନ ପଟ୍ଟନାୟକ
2. ନବୀନ ପଟ୍ଟନାୟକ
3. ସୌମ୍ୟନିରଞ୍ଜନ ପଟ୍ଟନାୟକ
4. ରାଧାନାଥ ରଥ

**Options :**

485584137293. 1  
485584137294. 2  
485584137295. 3  
485584137296. 4

Question Number : 70 Question Id : 48558434325 Question Type : MCQ Option Shuffling : No Is Question Mandatory : No Calculator : None Response Time : N.A Think Time : N.A Minimum Instruction Time : 0

Correct Marks : 5 Wrong Marks : 1

Question Key Details :

Key	Value
Comprehension	MCQ

କେଉଁଟି ବ୍ୟାସକବି ଫକୀର ମୋହନ ସେନାପତିଙ୍କ ରଚନା ନୁହେଁ?

1. କେଦାର ଗୌରି
2. ମାମୁ
3. ପ୍ରାୟଶ୍ଚିତ
4. ପୁଷ୍ପମାଳା

Options :

485584137297. 1  
485584137298. 2  
485584137299. 3  
485584137300. 4

Question Number : 71 Question Id : 48558434326 Question Type : MCQ Option Shuffling : No Is Question Mandatory : No Calculator : None Response Time : N.A Think Time : N.A Minimum Instruction Time : 0

Correct Marks : 5 Wrong Marks : 1

Question Key Details :

Key	Value
Comprehension	MCQ

ଭାଣିବାକୁ ଇଚ୍ଛା କରୁଥିବା ଛାତ୍ର ର ବିଦ୍ୟାଳୟରେ ଆଗ୍ରହ ଥାଏ।

ରେଖାଙ୍କିତ ପଦକୁ ସଂକ୍ଷେପ କଲେ କଣ ହେବ?

1. ଜ୍ଞାନୀ
2. ସୁଜ୍ଞାନୀ
3. ଜ୍ଞାନବାନ
4. ତିଜ୍ଞାସୁ

Options :

485584137301. 1  
485584137302. 2  
485584137303. 3  
485584137304. 4

Question Number : 72 Question Id : 48558434327 Question Type : MCQ Option Shuffling : No Is Question Mandatory : No Calculator : None Response Time : N.A Think Time : N.A Minimum Instruction Time : 0

Correct Marks : 5 Wrong Marks : 1

**Question Key Details :**

Key	Value
Comprehension	MCQ

ଅପରାଧୀ ର ବିପରୀତ ଅର୍ଥ ବୋଧକ ଶବ୍ଦ, ନିମ୍ନ ଲିଖିତ ଶବ୍ଦରୁ କେଉଁଟି ହେବ, ଚିହ୍ନଟ କରନ୍ତୁ

1. ନିରପରାଧୀ
2. ଗୁଣୀ
3. ଜ୍ଞାନୀ
4. ସ୍ନେହୀ

**Options :**

485584137305. 1  
485584137306. 2  
485584137307. 3  
485584137308. 4

**Question Number : 73 Question Id : 48558434328 Question Type : MCQ Option Shuffling : No Is Question Mandatory : No Calculator : None Response Time : N.A Think Time : N.A Minimum Instruction Time : 0**

**Correct Marks : 5 Wrong Marks : 1**

**Question Key Details :**

Key	Value
Comprehension	MCQ

'ମୋତେ ଯେତେ ମାଠିବୁ ମାଠ --- ମୁଁ ସେଇ ଦରପୋଡ଼ା କାଠ'

ନିମ୍ନ ଲିଖିତ ବିକଳ୍ପ ମଧ୍ୟରୁ ସଠିକ ଉତ୍ତର ଚିହ୍ନଟ କର:

1. ଅବିବେକୀ
2. ନିର୍ଲକ୍ଷ୍ୟ
3. ଅସୁଧାରଣୀୟ
4. ଭଲଗ୍ନ

**Options :**

485584137309. 1  
485584137310. 2  
485584137311. 3  
485584137312. 4

**Question Number : 74 Question Id : 48558434329 Question Type : MCQ Option Shuffling : No Is Question Mandatory : No Calculator : None Response Time : N.A Think Time : N.A Minimum Instruction Time : 0**

**Correct Marks : 5 Wrong Marks : 1**

**Question Key Details :**

Key	Value
Comprehension	MCQ

ଦୁଇ ବା ତତୋଦ୍ଧିକ ପରସ୍ପର ସାପେକ୍ଷ ଖଣ୍ଡ ବାକ୍ୟ ସମନ୍ୱୟରେ ଯେଉଁ ବାକ୍ୟ ଗଠିତ ହୁଏ, ତାକୁ କି ବାକ୍ୟ କହନ୍ତି?

1. ଭବିଳ
2. ସରଳ
3. ଯୌଗିକ
4. ମିଶ୍ର

**Options :**

485584137313. 1  
485584137314. 2  
485584137315. 3  
485584137316. 4

**Question Number : 75 Question Id : 48558434330 Question Type : MCQ Option Shuffling : No Is Question Mandatory : No Calculator : None Response Time : N.A Think Time : N.A Minimum Instruction Time : 0**

**Correct Marks : 5 Wrong Marks : 1**

**Question Key Details :**

Key	Value
Comprehension	MCQ

'କପାଳ ପାଟିବା'

ଏ ରୂପେ ର ଅର୍ଥ କଣ?

1. ଠକି ଦେବା
2. ସର୍ବନାଶ ହେବା
3. ମଜ୍ଜିନ ପଡ଼ିବା
4. ଚିତ୍ତର ହେବା

**Options :**

485584137317. 1  
485584137318. 2  
485584137319. 3  
485584137320. 4

**Question Number : 76 Question Id : 48558434331 Question Type : MCQ Option Shuffling : No Is Question Mandatory : No Calculator : None Response Time : N.A Think Time : N.A Minimum Instruction Time : 0**

**Correct Marks : 5 Wrong Marks : 1**

**Question Key Details :**

Key	Value
Comprehension	MCQ

ଓମ୍ଭ I ସହିତ II କୁ ମିଳାନ୍ତୁ

ଓମ୍ଭ I		ଓମ୍ଭ II	
A.	ଚାକର	I.	ବିଶାରଦ
B.	ଦେବତା	II.	ନଳିନୀ
C.	ପଣ୍ଡିତ	III.	ଭୃତ୍ୟ
D.	ପଦ୍ମ	IV.	ତ୍ରିଦଶ

ନିମ୍ନ ପ୍ରଦତ୍ତ ଉତ୍ତର ଗୁଡ଼ିକରୁ ସଠିକ ଉତ୍ତରକୁ ଚିହ୍ନଟ କରନ୍ତୁ:

1. A-I, B-II, C-III, D-IV
2. A-III, B-IV, C-I, D-II
3. A-IV, B-II, C-I, D-III
4. A-II, B-I, C-IV, D-III

**Options :**

485584137321. 1  
485584137322. 2  
485584137323. 3  
485584137324. 4

**Question Number : 77 Question Id : 48558434332 Question Type : MCQ Option Shuffling : No Is Question Mandatory : No Calculator : None Response Time : N.A Think Time : N.A Minimum Instruction Time : 0**

**Correct Marks : 5 Wrong Marks : 1**

**Question Key Details :**

Key	Value
Comprehension	MCQ



ଶୂନ୍ୟସ୍ଥାନ ପୂରଣ କରନ୍ତୁ ଓ ନିମ୍ନରେ ଦିଆଯାଇଥିବା ଉତ୍ତର ରୁ ଚିହ୍ନଟ କରି ଶୂନ୍ୟସ୍ଥାନ ରେ ସଂଖ୍ୟା କ୍ରମାଙ୍କ ଲେଖନ୍ତୁ

A. ନଦୀର ଅନ୍ୟ ନାମ \_\_\_\_\_

B. ଧନୁର ଅନ୍ୟ ନାମ \_\_\_\_\_

C. ପକ୍ଷୀର ଅନ୍ୟ ନାମ \_\_\_\_\_

D. ଦିଗ୍ ବଳର ଅନ୍ୟ ନାମ \_\_\_\_\_

E. ଦୂର୍ଗାଙ୍କ ଅନ୍ୟ ନାମ \_\_\_\_\_

ନିମ୍ନ ପ୍ରଦତ୍ତ ଶବ୍ଦ ଗୁଡ଼ିକରୁ ଉତ୍ତର ଚିହ୍ନଟ କରି ମିଳାନ୍ତୁ ଓ ଶୂନ୍ୟସ୍ଥାନରେ ସଠିକ୍ ଉତ୍ତର ଲେଖନ୍ତୁ:

1. କୋଦଣ୍ଡ

2. ଚକ୍ରବାଳ

3. ଅରିକା

4. ନିମ୍ବରା

5. ପତ୍ରା

ନିମ୍ନ ବିକଳ୍ପ ଗୁଡ଼ିକରୁ ସଠିକ୍ ଉତ୍ତରଟିକୁ ଚିହ୍ନଟ କରନ୍ତୁ।

1. A-1, B-2, C-3, D-4, E-5

2. A-4, B-1, C-5, D-2, E-5

3. A-4, B-1, C-2, D-5, E-3

4. A-1, B-1, C-2, D-2, E-5

**Options :**

485584137325. 1

485584137326. 2

485584137327. 3

485584137328. 4

**Question Number : 78 Question Id : 48558434333 Question Type : MCQ Option Shuffling : No Is Question Mandatory : No Calculator : None Response Time : N.A Think Time : N.A Minimum Instruction Time : 0**

**Correct Marks : 5 Wrong Marks : 1**

**Question Key Details :**

Key	Value
Comprehension	MCQ

ପଦ ମଧ୍ୟରେ ଏକ ବା ଏକାଧିକ ବ୍ୟଞ୍ଜନ ବର୍ଣ୍ଣର ବାରମ୍ବାର ଆବୃତ୍ତି ହୋଇଥିଲେ, କେଉଁ ଅଳଙ୍କାର ହେବ

1. ଅନୁସ୍ରାପ ଅଳଙ୍କାର

2. ଉପମା ଅଳଙ୍କାର

3. ରୂପକ ଅଳଙ୍କାର

4. ବ୍ୟତିରେକ ଅଳଙ୍କାର

**Options :**

485584137329. 1

485584137330. 2

485584137331. 3

485584137332. 4

**Question Number : 79 Question Id : 48558434334 Question Type : MCQ Option Shuffling : No Is Question Mandatory : No Calculator : None Response Time : N.A Think Time : N.A Minimum Instruction Time : 0**

**Correct Marks : 5 Wrong Marks : 1**

**Question Key Details :**

Key	Value
Comprehension	MCQ

"କଳୁଷ-ପଲେ ମୁହଁ କେତେ ମଳିନ, କେମନ୍ତେ ସରି ତୋର ହେବି ନଳିନ"

ଏହା କେଉଁ ଅଳଙ୍କାର ର ଉଦାହରଣ?

1. ଉପମେୟ

2. ଉପମା

3. ରୂପକ

4. ସ୍ୱଭାବୋକ୍ତି

**Options :**

485584137333. 1

485584137334. 2

485584137335. 3

485584137336. 4

**Question Number : 80 Question Id : 48558434335 Question Type : MCQ Option Shuffling : No Is Question Mandatory : No Calculator : None Response Time : N.A Think Time : N.A Minimum Instruction Time : 0**

**Correct Marks : 5 Wrong Marks : 1**

**Question Key Details :**

Key	Value
Comprehension	MCQ

କେଉଁ କବିଙ୍କୁ "କବିବର" ବୋଲି କୁହାଯାଏ?

1. ଉପେନ୍ଦ୍ର ଭଞ୍ଜ
2. ରାଧାନାଥ ରାୟ
3. ମଧୁସୂଦନ ରାୟ
4. ରାଧାନାଥ ରଥ

**Options :**

485584137337. 1  
485584137338. 2  
485584137339. 3  
485584137340. 4

**Question Number : 81 Question Id : 48558434336 Question Type : MCQ Option Shuffling : No Is Question Mandatory : No Calculator : None Response Time : N.A Think Time : N.A Minimum Instruction Time : 0**

**Correct Marks : 5 Wrong Marks : 1**

**Question Key Details :**

Key	Value
Comprehension	MCQ

ଓଡ଼ିଆ ମହାଭାରତ କିଏ ଲେଖିଥିଲେ?

1. ସାରଳା ଦାସ
2. ବଳରାମ ଦାସ
3. ମଧୁସୂଦନ ଦାସ
4. ନବ କିଶୋର ଦାସ

**Options :**

485584137341. 1  
485584137342. 2  
485584137343. 3  
485584137344. 4

**Question Number : 82 Question Id : 48558434337 Question Type : MCQ Option Shuffling : No Is Question Mandatory : No Calculator : None Response Time : N.A Think Time : N.A Minimum Instruction Time : 0**

**Correct Marks : 5 Wrong Marks : 1**

**Question Key Details :**

Key	Value
Comprehension	MCQ

୭୪ତମ (74th) ସାଧାରଣତନ୍ତ୍ର ଦିବସ ପ୍ୟାରେଡରେ ବିଶେଷତା କଣ ଥିଲା?

1. କର୍ତ୍ତବ୍ୟ ପଥରେ ପ୍ୟାରେଡ ହୋଇଥିଲା
2. ଓଡ଼ିଶାର ଝାଙ୍କି (ଭ୍ରାମ୍ୟମାଣ ମେଢ) ଚିତ୍ରାକର୍ଷକ ହୋଇଥିଲା
3. ଭୁବନେଶ୍ୱର ରାଜା ମୁଖ୍ୟ ଅତିଥି ଭାବରେ ଭାଗ ନେଇଥିଲେ
4. ପ୍ରଧାନ ମନ୍ତ୍ରୀ ଶ୍ରୀ ନରେନ୍ଦ୍ର ମୋଦି ପ୍ୟାରେଡ ର ସମାପନ ଗ୍ରହଣ କରିଥିଲେ

**Options :**

485584137345. 1  
485584137346. 2  
485584137347. 3  
485584137348. 4

**Question Number : 83 Question Id : 48558434338 Question Type : MCQ Option Shuffling : No Is Question Mandatory : No Calculator : None Response Time : N.A Think Time : N.A Minimum Instruction Time : 0**

**Correct Marks : 5 Wrong Marks : 1**

**Question Key Details :**

Key	Value
Comprehension	MCQ

ଶୋଷିତ, ବିଧି, ନୀଳାଦ୍ରୀ, ପିୟୁଷ, ପ୍ରିୟା ।

ଏହି ଶବ୍ଦମାନଙ୍କ ଭ୍ରମ ସଂଶୋଧନ କରି, ନିମ୍ନରୁ ସଠିକ ଉତ୍ତର ଚିହ୍ନଟ କର

1. ବିଧି, ନୀଳାଦ୍ରୀ, ଶୋଷିତ, ପିୟୁଷ, ପ୍ରିୟା
2. ଶୋଷିତ, ବିଧି, ନୀଳାଦ୍ରୀ, ପିୟୁଷ, ପ୍ରିୟା
3. ଶୋଷିତ, ପ୍ରିୟା, ନୀଳାଦ୍ରୀ, ପିୟୁଷ, ବିଧି
4. ବିଧି, ପ୍ରିୟା, ଶୋଷିତ, ନୀଳାଦ୍ରୀ, ପିୟୁଷ

**Options :**

485584137349. 1  
485584137350. 2  
485584137351. 3  
485584137352. 4

**Question Number : 84 Question Id : 48558434339 Question Type : MCQ Option Shuffling : No Is Question Mandatory : No Calculator : None Response Time : N.A Think Time : N.A Minimum Instruction Time : 0**

**Correct Marks : 5 Wrong Marks : 1**

**Question Key Details :**

Key	Value
Comprehension	MCQ

'ପାନେ ଦେବା', ବିଶେଷାର୍ଥଟି କହିଲେ କଣ ବୁଝାଏ?

1. ଔଷଧ ପାନ କରେଇବା
2. ଭଜିତ ଶିକ୍ଷା ଦେବା
3. ପାନ ଖୁଲେ ଦେବା
4. କୌଣସି ଜଳୀୟ ପେୟ ଦେବା

**Options :**

485584137353. 1  
485584137354. 2  
485584137355. 3  
485584137356. 4

**Question Number : 85 Question Id : 48558434340 Question Type : MCQ Option Shuffling : No Is Question Mandatory : No Calculator : None Response Time : N.A Think Time : N.A Minimum Instruction Time : 0**

**Correct Marks : 5 Wrong Marks : 1**

**Question Key Details :**

Key	Value
Comprehension	MCQ

ଯଦି 'ଚରିତ୍ର' କହିଲେ 'ସ୍ୱଭାବ' ବୁଝାଏ, ତାହାହେଲେ ଚରିତ କଣ ହେବ?

1. ଚିରସାକ୍ଷୀ
2. ଚରିତା
3. ଜୀବନୀ
4. ଚିତ୍ରଣ

**Options :**

485584137357. 1  
485584137358. 2  
485584137359. 3  
485584137360. 4

**Question Number : 86 Question Id : 48558434341 Question Type : MCQ Option Shuffling : No Is Question Mandatory : No Calculator : None Response Time : N.A Think Time : N.A Minimum Instruction Time : 0**

**Correct Marks : 5 Wrong Marks : 1**

**Question Key Details :**

Key	Value
Comprehension	MCQ

'ପଢ଼ିବାର ଇଚ୍ଛା' କୁ ଏକ ଶବ୍ଦରେ ପ୍ରକାଶ କର

1. ପାଠକ
2. ପାଠ୍ୟକ୍ରମ
3. ପଢ଼ୁଆ
4. ପୁସ୍ତକ ପୋକ

**Options :**

485584137361. 1  
485584137362. 2  
485584137363. 3  
485584137364. 4

**Question Number : 87 Question Id : 48558434342 Question Type : MCQ Option Shuffling : No Is Question Mandatory : No Calculator : None Response Time : N.A Think Time : N.A Minimum Instruction Time : 0**

**Correct Marks : 5 Wrong Marks : 1**

**Question Key Details :**

Key	Value
Comprehension	MCQ

'ପ୍ରକୃତି' ଶବ୍ଦର ବିପରୀତ ବୋଧକ ଶବ୍ଦ ବାଛି

1. ଆକୃତି
2. ନିରାକୃତି
3. ଅଶକୃତି
4. ନିକୃତି

**Options :**

485584137365. 1  
485584137366. 2  
485584137367. 3  
485584137368. 4

**Question Number : 88 Question Id : 48558434343 Question Type : MCQ Option Shuffling : No Is Question Mandatory : No Calculator : None Response Time : N.A Think Time : N.A Minimum Instruction Time : 0**

**Correct Marks : 5 Wrong Marks : 1**

**Question Key Details :**

Key	Value
Comprehension	MCQ

ପ୍ରଫୁଲ୍ଲ ବାର୍ଷିକ ପରୀକ୍ଷା ପରେ ମାମୁଁ ଘରକୁ ଯିବ ବୋଲି ପ୍ରବଳ ଇଚ୍ଛା ପ୍ରକାଶ କରୁଛି।

ରେଖାଙ୍କିତ ଅଂଶର ଅର୍ଥ ପ୍ରକାଶ କରୁଥିବା ରୂପିଟି ବାଛି

1. ମୁଣ୍ଡ ଟେକି ବସିବା
2. ଗୋଡ଼ ଟେକି ବସିବା
3. ହାତ ଟେକି ବସିବା
4. ଅସ୍ତ ବ୍ୟସ୍ତ ହୋଇପଡ଼ିବା

**Options :**

485584137369. 1  
485584137370. 2  
485584137371. 3  
485584137372. 4

**Question Number : 89 Question Id : 48558434344 Question Type : MCQ Option Shuffling : No Is Question Mandatory : No Calculator : None Response Time : N.A Think Time : N.A Minimum Instruction Time : 0**

**Correct Marks : 5 Wrong Marks : 1**

**Question Key Details :**

Key	Value
Comprehension	MCQ

ଓଡ଼ିଶାରେ ଅବସ୍ଥିତ, ବିଶ୍ୱପ୍ରସିଦ୍ଧ କୋଣାର୍କ ମନ୍ଦିର ନିର୍ମାଣ କେଉଁ ରାଜବଂଶର ରାଜୁତି କାଳରେ ହୋଇଥିଲା?

1. ଚୋଳ ରାଜବଂଶ
2. ଗଙ୍ଗ ରାଜବଂଶ
3. ମୌର୍ଯ୍ୟ ରାଜବଂଶ
4. ଚାଲୁକ୍ୟ ରାଜବଂଶ

**Options :**

485584137373. 1  
485584137374. 2  
485584137375. 3  
485584137376. 4

**Question Number : 90 Question Id : 48558434345 Question Type : MCQ Option Shuffling : No Is Question Mandatory : No Calculator : None Response Time : N.A Think Time : N.A Minimum Instruction Time : 0**

**Correct Marks : 5 Wrong Marks : 1**

**Question Key Details :**

Key	Value
Comprehension	MCQ

ସୋମବଂଶୀ ରାଜବଂଶର ଶେଷ ରାଜା କିଏ ଥିଲେ?

1. କର୍ଣ୍ଣଦେବ
2. ନରସିଂହ ଦେବ
3. ନିମିଷକର ବର୍ମା
4. ଜଜାତି କେଶରୀ

**Options :**

485584137377. 1  
485584137378. 2  
485584137379. 3  
485584137380. 4

**Question Number : 91 Question Id : 48558434346 Question Type : MCQ Option Shuffling : No Is Question Mandatory : No Calculator : None Response Time : N.A Think Time : N.A Minimum Instruction Time : 0**

**Correct Marks : 5 Wrong Marks : 1**

**Question Key Details :**

Key	Value
Comprehension	MCQ

ଶୂନ୍ୟସ୍ଥାନ ପୂରଣ କରନ୍ତୁ:

\_\_\_\_\_ ଶ୍ରଦ୍ଧା କରି ଶିଖିଲେ \_\_\_\_\_ ଆପେ ଆପେ ଭୁଲି ହୋଇଥାଏ।

1. ଦ୍ଵେଷ, ଅହଂ
2. ଲୋଭ, ପାପ
3. ମାୟା, ଅହଂ
4. ବିଦ୍ୟା, ଅହଂ

**Options :**

485584137381. 1  
485584137382. 2  
485584137383. 3  
485584137384. 4

**Question Number : 92 Question Id : 48558434347 Question Type : MCQ Option Shuffling : No Is Question Mandatory : No Calculator : None Response Time : N.A Think Time : N.A Minimum Instruction Time : 0**

**Correct Marks : 5 Wrong Marks : 1**

**Question Key Details :**

Key	Value
Comprehension	MCQ



'କନକଲତା' ଉପନ୍ୟାସର ରଚୟିତା କିଏ?

ନିମ୍ନ ପ୍ରଦତ୍ତ ଉତ୍ତର ମଧ୍ୟରୁ ସଠିକ୍ ଉତ୍ତରଟି ଚିହ୍ନଟ କରନ୍ତୁ

1. ଗଙ୍ଗାଧର ମେହେର
2. ଫକୀର ମୋହନ ସେନାପତି
3. ନନ୍ଦ କିଶୋର ବଳ
4. ରାଧାନାଥ ରାୟ

**Options :**

485584137385. 1  
485584137386. 2  
485584137387. 3  
485584137388. 4

**Question Number : 93 Question Id : 48558434348 Question Type : MCQ Option Shuffling : No Is Question Mandatory : No Calculator : None Response Time : N.A Think Time : N.A Minimum Instruction Time : 0**

**Correct Marks : 5 Wrong Marks : 1**

**Question Key Details :**

Key	Value
Comprehension	MCQ

ଶାମ୍ଭୁ ଦଶମୀ ଦିନ କେଉଁ ଦେବତାଙ୍କ ପୂଜା ଅର୍ଚ୍ଚନା କରାଯାଏ?

ନିମ୍ନ ଉତ୍ତର ଗୁଡ଼ିକରୁ ସଠିକ୍ ଉତ୍ତର ଚିହ୍ନଟ କରନ୍ତୁ:

1. ବିଷ୍ଣୁ
2. ଶ୍ରୀକୃଷ୍ଣ
3. କାର୍ତ୍ତିକେୟ
4. ସୂର୍ଯ୍ୟଦେବ

**Options :**

485584137389. 1  
485584137390. 2  
485584137391. 3  
485584137392. 4

**Question Number : 94 Question Id : 48558434349 Question Type : MCQ Option Shuffling : No Is Question Mandatory : No Calculator : None Response Time : N.A Think Time : N.A Minimum Instruction Time : 0**

**Correct Marks : 5 Wrong Marks : 1**

**Question Key Details :**

Key	Value
Comprehension	MCQ

'ଆହେ ନୀଳ ଶୈଳ ପ୍ରବଳ ମତ ବାରଣ' ଭଜନଟିର ରଚୟିତା କିଏ?

ସଠିକ୍ ଉତ୍ତରକୁ ଚିହ୍ନଟ କରନ୍ତୁ:

1. ଭିମ ଭୋଜ
2. ଗଙ୍ଗାଧର ମେହେର
3. ନିମାୟୀ ଚରଣ ହରିଚନ୍ଦନ
4. ଭକ୍ତ ସାଲବେଗ

**Options :**

485584137393. 1

485584137394. 2

485584137395. 3

485584137396. 4

**Question Number : 95 Question Id : 48558434350 Question Type : MCQ Option Shuffling : No Is Question Mandatory : No Calculator : None Response Time : N.A Think Time : N.A Minimum Instruction Time : 0**

**Correct Marks : 5 Wrong Marks : 1**

**Question Key Details :**

Key	Value
Comprehension	MCQ

ଆଜି ପ୍ରବଳ ଥଣ୍ଡା!

ଏହା କି ପ୍ରକାର ବାକ୍ୟ?

1. ପ୍ରଶ୍ନ ସୂଚକ
2. ବିବୃତି ସୂଚକ
3. ବିସ୍ମୟ ସୂଚକ
4. ନାଷ୍ଟି ସୂଚକ

**Options :**

485584137397. 1

485584137398. 2

485584137399. 3

485584137400. 4

**Question Number : 96 Question Id : 48558434351 Question Type : MCQ Option Shuffling : No Is Question Mandatory : No Calculator : None Response Time : N.A Think Time : N.A Minimum Instruction Time : 0**

**Correct Marks : 5 Wrong Marks : 1**

**Question Key Details :**

Key	Value
Comprehension	MCQ

ଅହି ନକ୍ସା ସମ୍ପର୍କ

ଏକ କି ପ୍ରକାର ରୂପ

1. ଉପମାୟୁକ୍ତ
2. କ୍ରିୟା ହୀନ
3. କ୍ରିୟାୟୁକ୍ତ
4. ତୁଳନାତ୍ମକ

**Options :**

485584137401. 1  
485584137402. 2  
485584137403. 3  
485584137404. 4

**Question Number : 97 Question Id : 48558434352 Question Type : MCQ Option Shuffling : No Is Question Mandatory : No Calculator : None Response Time : N.A Think Time : N.A Minimum Instruction Time : 0**

**Correct Marks : 5 Wrong Marks : 1**

**Question Key Details :**

Key	Value
Comprehension	MCQ

ସାଧନା ହିଁ ସିଦ୍ଧି ର ଜନକ -

ଏକ ଅର୍ଥ ବୁଝାଉଥିବା ଲୋକବାଣୀ ଚି କଣ?

1. ଖୋଳ ପର୍ବତ ମାର ମୂଷା
2. ଅଳପୁଆର ବାରବାଟୀ ଚାଷ
3. କଷ୍ଟ କଲେ କୃଷ୍ଣ ମିଳେ
4. ଛୋର ଯାର ମୁଲକ ତାର

**Options :**

485584137405. 1  
485584137406. 2  
485584137407. 3  
485584137408. 4

**Question Number : 98 Question Id : 48558434353 Question Type : MCQ Option Shuffling : No Is Question Mandatory : No Calculator : None Response Time : N.A Think Time : N.A Minimum Instruction Time : 0**

**Correct Marks : 5 Wrong Marks : 1**

**Question Key Details :**

Key	Value
Comprehension	MCQ

'ଶଞ୍ଜ ଶଞ୍ଜ ଧଳା ମେଘ ସୁନୀଳ ଅମ୍ବରେ

ଭାସଇ ବୋଇତ ଯଥା ନୀଳ ସମୁଦ୍ରରେ'

ନିମ୍ନ ବିକଳ୍ପ ଗୁଡ଼ିକରୁ, ଏଥିରେ ଥିବା ଉପଯୋଗୀତା ଶବ୍ଦଟି ବାଛିନ୍ତୁ

1. ଯଥା

2. ଶଞ୍ଜ ଶଞ୍ଜ

3. ନୀଳ

4. ମେଘ

**Options :**

485584137409. 1

485584137410. 2

485584137411. 3

485584137412. 4

**Question Number : 99 Question Id : 48558434354 Question Type : MCQ Option Shuffling : No Is Question Mandatory : No Calculator : None Response Time : N.A Think Time : N.A Minimum Instruction Time : 0**

**Correct Marks : 5 Wrong Marks : 1**

**Question Key Details :**

Key	Value
Comprehension	MCQ

ନିମୋକ୍ତ ମଧ୍ୟରୁ କେଉଁଟି ଠିକ୍ ଶବ୍ଦ

1. ଶୁଶୁଷା

2. ଶୁଶୁଷା

3. ଶୁଶୁଷା

4. ଶୁଶୁଷା

**Options :**

485584137413. 1

485584137414. 2

485584137415. 3

485584137416. 4

**Question Number : 100 Question Id : 48558434355 Question Type : MCQ Option Shuffling : No Is Question Mandatory : No Calculator : None Response Time : N.A Think Time : N.A Minimum Instruction Time : 0**

**Correct Marks : 5 Wrong Marks : 1**

**Question Key Details :**

Key	Value
Comprehension	MCQ

ଦାମ ଓ ଶ୍ୟାମ ମଧ୍ୟରେ ଘୋର କଳି ଲଗେଇବାରେ ସବୁଠୁ ବେଶୀ ଯତ୍ନ ମୂଳ ମନ୍ତ୍ର ହିଁ ଦାୟୀ। ତାହାହେଲେ ଯତ୍ନକୁ କଣ କୁହାଯିବ?

1. ଚରଣ ତୁଟିଆ

2. ତେଲୁଆ

3. ନାଟର ଗୋବର୍ଦ୍ଧନ

4. ମାଲତିଆ

**Options :**

485584137417. 1

485584137418. 2

485584137419. 3

485584137420. 4

## Punjabi

<b>Group Number :</b>	4
<b>Group Id :</b>	485584771
<b>Group Maximum Duration :</b>	45
<b>Group Minimum Duration :</b>	45
<b>Show Attended Group? :</b>	No
<b>Edit Attended Group? :</b>	No
<b>Break time :</b>	0
<b>Group Marks :</b>	200
<b>Is this Group for Examiner? :</b>	No
<b>Examiner permission :</b>	Cant View
<b>Show Progress Bar? :</b>	No

## Punjabi

<b>Section Id :</b>	485584889
<b>Section Number :</b>	1
<b>Section type :</b>	Online
<b>Mandatory or Optional :</b>	Mandatory
<b>Number of Questions :</b>	50
<b>Number of Questions to be attempted :</b>	40
<b>Section Marks :</b>	200
<b>Enable Mark as Answered Mark for Review and Clear Response :</b>	Yes
<b>Maximum Instruction Time :</b>	0
<b>Sub-Section Number :</b>	1
<b>Sub-Section Id :</b>	4855842518
<b>Question Shuffling Allowed :</b>	No
<b>Is Section Default? :</b>	null
<b>Sub-Section Number :</b>	2
<b>Sub-Section Id :</b>	4855842519
<b>Question Shuffling Allowed :</b>	No
<b>Is Section Default? :</b>	null
<b>Sub-Section Number :</b>	3

<b>Sub-Section Id :</b>	4855842520
<b>Question Shuffling Allowed :</b>	No
<b>Is Section Default? :</b>	null
<b>Sub-Section Number :</b>	4
<b>Sub-Section Id :</b>	4855842521
<b>Question Shuffling Allowed :</b>	Yes
<b>Is Section Default? :</b>	null

## Tamil

<b>Group Number :</b>	5
<b>Group Id :</b>	485584772
<b>Group Maximum Duration :</b>	45
<b>Group Minimum Duration :</b>	45
<b>Show Attended Group? :</b>	No
<b>Edit Attended Group? :</b>	No
<b>Break time :</b>	0
<b>Group Marks :</b>	200
<b>Is this Group for Examiner? :</b>	No
<b>Examiner permission :</b>	Cant View
<b>Show Progress Bar? :</b>	No

## Tamil

<b>Section Id :</b>	485584890
<b>Section Number :</b>	1
<b>Section type :</b>	Online
<b>Mandatory or Optional :</b>	Mandatory
<b>Number of Questions :</b>	50
<b>Number of Questions to be attempted :</b>	40
<b>Section Marks :</b>	200
<b>Enable Mark as Answered Mark for Review and Clear Response :</b>	Yes
<b>Maximum Instruction Time :</b>	0
<b>Sub-Section Number :</b>	1
<b>Sub-Section Id :</b>	4855842522
<b>Question Shuffling Allowed :</b>	No
<b>Is Section Default? :</b>	null
<b>Sub-Section Number :</b>	2
<b>Sub-Section Id :</b>	4855842523
<b>Question Shuffling Allowed :</b>	No
<b>Is Section Default? :</b>	null
<b>Sub-Section Number :</b>	3
<b>Sub-Section Id :</b>	4855842524
<b>Question Shuffling Allowed :</b>	No
<b>Is Section Default? :</b>	null
<b>Sub-Section Number :</b>	4
<b>Sub-Section Id :</b>	4855842525
<b>Question Shuffling Allowed :</b>	Yes
<b>Is Section Default? :</b>	null

## Spanish

<b>Group Number :</b>	6
<b>Group Id :</b>	485584773
<b>Group Maximum Duration :</b>	45
<b>Group Minimum Duration :</b>	45
<b>Show Attended Group? :</b>	No
<b>Edit Attended Group? :</b>	No
<b>Break time :</b>	0
<b>Group Marks :</b>	200
<b>Is this Group for Examiner? :</b>	No
<b>Examiner permission :</b>	Cant View
<b>Show Progress Bar? :</b>	No

## Spanish

<b>Section Id :</b>	485584891
<b>Section Number :</b>	1
<b>Section type :</b>	Online
<b>Mandatory or Optional :</b>	Mandatory
<b>Number of Questions :</b>	50
<b>Number of Questions to be attempted :</b>	40
<b>Section Marks :</b>	200
<b>Enable Mark as Answered Mark for Review and Clear Response :</b>	Yes
<b>Maximum Instruction Time :</b>	0
<b>Sub-Section Number :</b>	1
<b>Sub-Section Id :</b>	4855842526
<b>Question Shuffling Allowed :</b>	No
<b>Is Section Default? :</b>	null
<b>Sub-Section Number :</b>	2
<b>Sub-Section Id :</b>	4855842527
<b>Question Shuffling Allowed :</b>	No
<b>Is Section Default? :</b>	null
<b>Sub-Section Number :</b>	3
<b>Sub-Section Id :</b>	4855842528
<b>Question Shuffling Allowed :</b>	No
<b>Is Section Default? :</b>	null
<b>Sub-Section Number :</b>	4
<b>Sub-Section Id :</b>	4855842529
<b>Question Shuffling Allowed :</b>	Yes
<b>Is Section Default? :</b>	null

## Anthropology

<b>Group Number :</b>	7
<b>Group Id :</b>	485584774
<b>Group Maximum Duration :</b>	45
<b>Group Minimum Duration :</b>	45
<b>Show Attended Group? :</b>	No
<b>Edit Attended Group? :</b>	No
<b>Break time :</b>	0
<b>Group Marks :</b>	200

Is this Group for Examiner? : No  
Examiner permission : Cant View  
Show Progress Bar? : No

## Anthropology

Section Id : 485584892  
Section Number : 1  
Section type : Online  
Mandatory or Optional : Mandatory  
Number of Questions : 50  
Number of Questions to be attempted : 40  
Section Marks : 200  
Enable Mark as Answered Mark for Review and Clear Response : Yes  
Maximum Instruction Time : 0  
Sub-Section Number : 1  
Sub-Section Id : 4855842530  
Question Shuffling Allowed : Yes  
Is Section Default? : null

Question Number : 101 Question Id : 48558434206 Question Type : MCQ Option Shuffling : No Is Question Mandatory :  
No Calculator : None Response Time : N.A Think Time : N.A Minimum Instruction Time : 0  
Correct Marks : 5 Wrong Marks : 1

Question Key Details :

Key	Value
Comprehension	MCQ

The science of genetics in an important discipline which deals with the:

1. Study of organism in their natural habitat
2. Study of relation of humans and their culture
3. Study of heredity or mechanism of inheritance
4. Study of micro-organism

Options :

485584136821. 1  
485584136822. 2  
485584136823. 3  
485584136824. 4

Question Number : 101 Question Id : 48558434206 Question Type : MCQ Option Shuffling : No Is Question Mandatory :  
No Calculator : None Response Time : N.A Think Time : N.A Minimum Instruction Time : 0  
Correct Marks : 5 Wrong Marks : 1

Question Key Details :

Key	Value
Comprehension	MCQ



ଜେନେଟିକ୍ ବିଜ୍ଞାନ କହିଲେ କ'ଣ ବୁଝ?

1. ପ୍ରାକୃତିକ ନିତି ଅନୁସାରେ ଜୀବକୁ ଅନୁଧ୍ୟାନ କରିବା
2. ମାନବ ଏବଂ ପରମ୍ପରା ମଧ୍ୟରେ ଥିବା ସମ୍ପର୍କକୁ ଅନୁଧ୍ୟାନ କରିବା
3. ବଂଶାନୁକ୍ରମିକ ଆହରଣ ଉପରେ ଅନୁଧ୍ୟାନ କର
4. ମାଇକ୍ରୋ-ଅର୍ଗାନିଜିମ ବିଷୟରେ ଅନୁଧ୍ୟାନ କରିବା

**Options :**

- 485584136821. 1
- 485584136822. 2
- 485584136823. 3
- 485584136824. 4

**Question Number : 102 Question Id : 48558434207 Question Type : MCQ Option Shuffling : No Is Question Mandatory : No Calculator : None Response Time : N.A Think Time : N.A Minimum Instruction Time : 0**

**Correct Marks : 5 Wrong Marks : 1**

**Question Key Details :**

Key	Value
Comprehension	MCQ

Scientists associated with rediscovery of Mendel's law were.

1. de Vries, Carrens and von Tschermak
2. Walter Sutton, Landsteiner and Theodore Boveri
3. Longdon Varies, James Watson and Mark Chose
4. Alfred Hershey, Peter Curtstein and Victor Hugo

**Options :**

- 485584136825. 1
- 485584136826. 2
- 485584136827. 3
- 485584136828. 4

**Question Number : 102 Question Id : 48558434207 Question Type : MCQ Option Shuffling : No Is Question Mandatory : No Calculator : None Response Time : N.A Think Time : N.A Minimum Instruction Time : 0**

**Correct Marks : 5 Wrong Marks : 1**

**Question Key Details :**

Key	Value
Comprehension	MCQ

ମଣ୍ଡେଲଙ୍କ ନିୟମକୁ ପୁନଃଆବିଷ୍କାର ପାଇଁ କେଉଁ ବୈଜ୍ଞାନିକମାନେ ଯୋଗଦାନ କରିଥିଲେ?

1. de Vries, Carrens and von Tschermak
2. Walter Sutton, Landsteiner and Theodore Boveri
3. Longdon Varies, James Watson and Mark Chose
4. Alfred Hershey, Peter Curtstein and Victor Hugo

**Options :**

- 485584136825. 1
- 485584136826. 2
- 485584136827. 3
- 485584136828. 4

**Question Number : 103 Question Id : 48558434208 Question Type : MCQ Option Shuffling : No Is Question Mandatory : No Calculator : None Response Time : N.A Think Time : N.A Minimum Instruction Time : 0**

**Correct Marks : 5 Wrong Marks : 1**

**Question Key Details :**

Key	Value
Comprehension	MCQ

The production of gametes by the parents, the formation of the Zygotes, the F1 and F2 plants can be understood from a diagram called as:

1. Mendel Square
2. Punnett Square
3. Watson Square
4. Francis Crick Square

**Options :**

- 485584136829. 1
- 485584136830. 2
- 485584136831. 3
- 485584136832. 4

**Question Number : 103 Question Id : 48558434208 Question Type : MCQ Option Shuffling : No Is Question Mandatory : No Calculator : None Response Time : N.A Think Time : N.A Minimum Instruction Time : 0**

**Correct Marks : 5 Wrong Marks : 1**

**Question Key Details :**

Key	Value
Comprehension	MCQ

ଗ୍ୟାମେଟ୍ ଟ୍ରି ଉପରେ ଏବଂ ଜାଇଗୋଟ୍ ଉପରେ ସହ F1 ଏବଂ F2 ବୃକ୍ଷ କେଉଁ ତାଲିକାରେ ଦର୍ଶାଯାଇଛି:

1. ମଣ୍ଡେଲ ଷୋୟାର
2. ପୁନେଟ ଷୋୟାର
3. ଖାଟସନ୍ ଷୋୟାର
4. ପ୍ରାନସିଭ୍ କ୍ରିକ୍ ଷୋୟାର

**Options :**

485584136829. 1  
485584136830. 2  
485584136831. 3  
485584136832. 4

**Question Number : 104 Question Id : 48558434209 Question Type : MCQ Option Shuffling : No Is Question Mandatory : No Calculator : None Response Time : N.A Think Time : N.A Minimum Instruction Time : 0**

**Correct Marks : 5 Wrong Marks : 1**

**Question Key Details :**

Key	Value
Comprehension	MCQ

The belief without scientific basis that some "races" are inferior to others is known as:

1. Ethnocentrism
2. Racism
3. Cultural relativism
4. Animatism

**Options :**

485584136833. 1  
485584136834. 2  
485584136835. 3  
485584136836. 4

**Question Number : 104 Question Id : 48558434209 Question Type : MCQ Option Shuffling : No Is Question Mandatory : No Calculator : None Response Time : N.A Think Time : N.A Minimum Instruction Time : 0**

**Correct Marks : 5 Wrong Marks : 1**

**Question Key Details :**

Key	Value
Comprehension	MCQ

ବିଜ୍ଞାନ ସମ୍ମତ ନ ହୋଇଥିବା ଏକ ବିଶ୍ୱାସ "ରାସେସ୍" ଅନ୍ୟକଠାରୁ ବଡ଼ ତାହା କଣ?

1. ଏଥନୋସେଣ୍ଟ୍ରିଜିମ୍
2. ରାସିଜିମ୍
3. କଲଚ୍ୟୁରାଲ୍ ରିଲେଟିଭିଜିମ୍
4. ଏନିମେଟିଜିମ୍

**Options :**

485584136833. 1  
485584136834. 2  
485584136835. 3  
485584136836. 4

**Question Number : 105 Question Id : 48558434210 Question Type : MCQ Option Shuffling : No Is Question Mandatory : No Calculator : None Response Time : N.A Think Time : N.A Minimum Instruction Time : 0**

**Correct Marks : 5 Wrong Marks : 1**

**Question Key Details :**

Key	Value
Comprehension	MCQ

The Fibrinogen has got some special features. It may cause clotting in whole blood by creating certain fibrous substances known as:

1. Clot
2. Lymph
3. PLASMA
4. Fibrin

**Options :**

485584136837. 1  
485584136838. 2  
485584136839. 3  
485584136840. 4

**Question Number : 105 Question Id : 48558434210 Question Type : MCQ Option Shuffling : No Is Question Mandatory : No Calculator : None Response Time : N.A Think Time : N.A Minimum Instruction Time : 0**

**Correct Marks : 5 Wrong Marks : 1**

**Question Key Details :**

Key	Value
Comprehension	MCQ

କ୍ଷତରୁ ବାହାରୁଥିବା ରକ୍ତକୁ ଫାଇବ୍ରିନୋଜେନ ଗୋଟିଏ ଫାଇବର ପ୍ରସ୍ତୁତି କରି ରକ୍ତ ପ୍ରବାହକୁ ବନ୍ଦ କରେ। ତାହାର ନାମ କଣ?

1. କୁଟ
2. ଲିମ୍ଫ
3. ପ୍ଲାଜମା
4. ଫାବ୍ରିନ

**Options :**

485584136837. 1  
485584136838. 2  
485584136839. 3  
485584136840. 4

**Question Number : 106 Question Id : 48558434211 Question Type : MCQ Option Shuffling : No Is Question Mandatory : No Calculator : None Response Time : N.A Think Time : N.A Minimum Instruction Time : 0**

**Correct Marks : 5 Wrong Marks : 1**

**Question Key Details :**

Key	Value
Comprehension	MCQ

Match List I with List II

LIST I Persons of blood group		LIST II Can receive blood from persons having blood group	
A.	A	I.	O
B.	B	II.	A, B, AB, O
C.	AB	III.	B, O
D.	O	IV.	A, O

Choose the correct answer from the options given below:

1. A-IV, B-II, C-III, D-I
2. A-I, B-II, C-III, D-IV
3. A-IV, B-III, C-II, D-I
4. A-II, B-III, C-I, D-IV

**Options :**

485584136841. 1  
485584136842. 2  
485584136843. 3  
485584136844. 4

**Question Number : 106 Question Id : 48558434211 Question Type : MCQ Option Shuffling : No Is Question Mandatory : No Calculator : None Response Time : N.A Think Time : N.A Minimum Instruction Time : 0**

**Correct Marks : 5 Wrong Marks : 1**

**Question Key Details :**

Key	Value
Comprehension	MCQ

ସଂଯୋଗ କର

ତାଲିକା I (ରକ୍ତ ଗୁଣ ଦଳ)		ତାଲିକା II (ଯେଉଁ ରକ୍ତ ଗୁଣକୁ ନିଜେ ନେଇପାରେ)	
A.	A	I.	O
B.	B	II.	A, B, AB, O
C.	AB	III.	B, O
D.	O	IV.	A, O

ଯଥାର୍ଥ ଭାବରେ ବିଅ

1. A-IV, B-II, C-III, D-I
2. A-I, B-II, C-III, D-IV
3. A-IV, B-III, C-II, D-I
4. A-II, B-III, C-I, D-IV

**Options :**

485584136841. 1  
485584136842. 2  
485584136843. 3  
485584136844. 4

**Question Number : 107 Question Id : 48558434212 Question Type : MCQ Option Shuffling : No Is Question Mandatory : No Calculator : None Response Time : N.A Think Time : N.A Minimum Instruction Time : 0**

**Correct Marks : 5 Wrong Marks : 1**

**Question Key Details :**

Key	Value
Comprehension	MCQ

Write the following in chronological order beginning from the oldest to the newest.

- A. Microliths
- B. Copper - clay culture
- C. Core tool industry
- D. Flake tool culture
- E. Blade tool culture

Choose the correct answer from the options given below:

1. A, B, C, D, E
2. C, D, A, B, E
3. E, A, B, C, D
4. C, D, E, A, B

**Options :**

485584136845. 1  
 485584136846. 2  
 485584136847. 3  
 485584136848. 4

**Question Number : 107 Question Id : 48558434212 Question Type : MCQ Option Shuffling : No Is Question Mandatory : No Calculator : None Response Time : N.A Think Time : N.A Minimum Instruction Time : 0**

**Correct Marks : 5 Wrong Marks : 1**

**Question Key Details :**

Key	Value
Comprehension	MCQ

ପୁରାତନରୁ ନୂତନ ଭାବେ ନିମ୍ନଲିଖିତ ମାନଙ୍କୁ କ୍ରମାବୁଦ୍ଧରେ ସଜାଡ଼ି ଲେଖ ।

- A. Microliths
- B. Copper - clay culture
- C. Core tool industry
- D. Flake tool culture
- E. Blade tool culture

ଯଥାର୍ଥ ଭାବେ ଲେଖ

- 1. A, B, C, D, E
- 2. C, D, A, B, E
- 3. E, A, B, C, D
- 4. C, D, E, A, B

**Options :**

485584136845. 1  
 485584136846. 2  
 485584136847. 3  
 485584136848. 4

**Question Number : 108 Question Id : 48558434213 Question Type : MCQ Option Shuffling : No Is Question Mandatory : No Calculator : None Response Time : N.A Think Time : N.A Minimum Instruction Time : 0**

**Correct Marks : 5 Wrong Marks : 1**

**Question Key Details :**

Key	Value
Comprehension	MCQ

To determine the genotype of a tall plant at F<sub>2</sub> generation, Mendel crossed the tall plant from F<sub>2</sub> generation with a dwarf plant. This he called as:

1. Monohybrid Cross
2. Dihybrid Cross
3. Back Cross
4. Test Cross

**Options :**

485584136849. 1  
485584136850. 2  
485584136851. 3  
485584136852. 4

**Question Number : 108 Question Id : 48558434213 Question Type : MCQ Option Shuffling : No Is Question Mandatory : No Calculator : None Response Time : N.A Think Time : N.A Minimum Instruction Time : 0**

**Correct Marks : 5 Wrong Marks : 1**

**Question Key Details :**

Key	Value
Comprehension	MCQ

ବୃକ୍ଷର ଗୁଣକୁ ନେଇ ପରିବାର ବଢ଼ାଯାଏ, ଲମ୍ବା ଗଛ F<sub>2</sub>, ମେଣ୍ଡେଲଙ୍କ ଲମ୍ବା ଗଛ F<sub>2</sub> ସହ ଗେଡ଼ା ଗଛ। ଏହାକୁ କଣ କୁହାଯାଏ:

1. ମନୋହାଇବ୍ରିଡ଼ କ୍ରସ୍
2. ଡିହାଇବ୍ରିଡ଼ କ୍ରସ୍
3. ବେକ୍ କ୍ରସ୍
4. ଟେଷ୍ଟ କ୍ରସ୍

**Options :**

485584136849. 1  
485584136850. 2  
485584136851. 3  
485584136852. 4

**Question Number : 109 Question Id : 48558434214 Question Type : MCQ Option Shuffling : No Is Question Mandatory : No Calculator : None Response Time : N.A Think Time : N.A Minimum Instruction Time : 0**

**Correct Marks : 5 Wrong Marks : 1**

**Question Key Details :**

Key	Value
Comprehension	MCQ



Which of the following does not belong to the Mendel's law of inheritance.

1. Law of Dominance
2. Law of Segregation
3. Use and Disuse of organs
4. Law of Purity of gametes

**Options :**

485584136853. 1  
485584136854. 2  
485584136855. 3  
485584136856. 4

**Question Number : 109 Question Id : 48558434214 Question Type : MCQ Option Shuffling : No Is Question Mandatory : No Calculator : None Response Time : N.A Think Time : N.A Minimum Instruction Time : 0**

**Correct Marks : 5 Wrong Marks : 1**

**Question Key Details :**

Key	Value
Comprehension	MCQ

ନିମ୍ନଲିଖିତ ମଧ୍ୟରୁ କେଉଁଟି ମେଣ୍ଡେଲ ଲୋ ଅଫ୍ ଇନ୍-ହାରିଟେନ୍ସର ନୁହେଁ ।

1. ଡୋମିନାନ୍ସ ନିୟମ
2. ସେଗ୍ରିଗେସନ ନିୟମ
3. ବ୍ୟବହାର ଓ ଅବ୍ୟବହାର ଅଙ୍ଗ
4. ଜନନ କୋଷର ସ୍ୱଚ୍ଛତାର ନିୟମ

**Options :**

485584136853. 1  
485584136854. 2  
485584136855. 3  
485584136856. 4

**Question Number : 110 Question Id : 48558434215 Question Type : MCQ Option Shuffling : No Is Question Mandatory : No Calculator : None Response Time : N.A Think Time : N.A Minimum Instruction Time : 0**

**Correct Marks : 5 Wrong Marks : 1**

**Question Key Details :**

Key	Value
Comprehension	MCQ

Which of the following are considered as primary race ?

- A. Mongoloid
- B. Australoid
- C. Veddoid
- D. Negroid
- E. Caucasoid

Choose the correct answer from the options given below:

1. A, D and E only
2. A, B and C only
3. B, C and D only
4. C, D and E only

**Options :**

- 485584136857. 1
- 485584136858. 2
- 485584136859. 3
- 485584136860. 4

**Question Number : 110 Question Id : 48558434215 Question Type : MCQ Option Shuffling : No Is Question Mandatory : No Calculator : None Response Time : N.A Think Time : N.A Minimum Instruction Time : 0**

**Correct Marks : 5 Wrong Marks : 1**

**Question Key Details :**

Key	Value
Comprehension	MCQ

ନିମ୍ନଲିଖିତ ମଧ୍ୟରୁ କେଉଁଟି ପ୍ରାଥମିକ ଧାରକ ଭାବେ ଜଣାଯାଏ।

- A. Mongoloid
- B. Australoid
- C. Veddoid
- D. Negroid
- E. Caucasoid

ଯଥାର୍ଥ ଭିତର ବାଛି ଲେଖ

1. କେବଳ A, D ଏବଂ E
2. କେବଳ A, B ଏବଂ C
3. କେବଳ B, C ଏବଂ D
4. କେବଳ C, D ଏବଂ E

**Options :**

- 485584136857. 1
- 485584136858. 2
- 485584136859. 3

**Question Number : 111 Question Id : 48558434216 Question Type : MCQ Option Shuffling : No Is Question Mandatory : No Calculator : None Response Time : N.A Think Time : N.A Minimum Instruction Time : 0**

**Correct Marks : 5 Wrong Marks : 1**

**Question Key Details :**

Key	Value
Comprehension	MCQ

Match List I with List II

LIST I		LIST II	
A.	Anvil technique	I.	Swinging blow method
B.	Blade technique	II.	Negative Bulb of Percussion
C.	Clactonian technique	III.	Blade Tools
D.	Stone hammer technique	IV.	Handaxes

Choose the correct answer from the options given below:

1. A-IV, B-II, C-I, D-III
2. A-IV, B-III, C-I, D-II
3. A-I, B-II, C-III, D-IV
4. A-II, B-III, C-IV, D-I

**Options :**

485584136861. 1  
 485584136862. 2  
 485584136863. 3  
 485584136864. 4

**Question Number : 111 Question Id : 48558434216 Question Type : MCQ Option Shuffling : No Is Question Mandatory : No Calculator : None Response Time : N.A Think Time : N.A Minimum Instruction Time : 0**

**Correct Marks : 5 Wrong Marks : 1**

**Question Key Details :**

Key	Value
Comprehension	MCQ

ସଂଯୋଗ କର

ତାଲିକା I		ତାଲିକା II	
A.	Anvil technique	I.	Large Flake Tools
B.	Blade technique	II.	Negative Bulb of Percussion
C.	Clactonian technique	III.	Blade Tools
D.	Stone hammer technique	IV.	Handaxes

ଯଥାର୍ଥ ଭିତ୍ତର ବାଛି ଲେଖ

1. A-IV, B-II, C-I, D-III
2. A-IV, B-III, C-I, D-II
3. A-I, B-II, C-III, D-IV
4. A-II, B-III, C-IV, D-I

**Options :**

485584136861. 1  
485584136862. 2  
485584136863. 3  
485584136864. 4

**Question Number : 112 Question Id : 48558434217 Question Type : MCQ Option Shuffling : No Is Question Mandatory : No Calculator : None Response Time : N.A Think Time : N.A Minimum Instruction Time : 0**

**Correct Marks : 5 Wrong Marks : 1**

**Question Key Details :**

Key	Value
Comprehension	MCQ

The first metal used in the human culture to make various implements was:

1. Bronze
2. Iron
3. Zinc
4. Copper

**Options :**

485584136865. 1  
485584136866. 2  
485584136867. 3  
485584136868. 4

**Question Number : 112 Question Id : 48558434217 Question Type : MCQ Option Shuffling : No Is Question Mandatory : No Calculator : None Response Time : N.A Think Time : N.A Minimum Instruction Time : 0**

**Correct Marks : 5 Wrong Marks : 1**

**Question Key Details :**

Key	Value
Comprehension	MCQ

ମଣିଷ ସଂସ୍କୃତିରେ ବିଭିନ୍ନ ଧାତୁ ବ୍ୟବହାର କରିବାର ପ୍ରଥମ ଧାତୁଟି କଣ?

1. ବ୍ରୋଞ୍ଜ
2. ଲୌହ
3. ତିକ୍ତ
4. ତମ୍ବା

**Options :**

485584136865. 1  
485584136866. 2  
485584136867. 3  
485584136868. 4

**Question Number : 113 Question Id : 48558434218 Question Type : MCQ Option Shuffling : No Is Question Mandatory : No Calculator : None Response Time : N.A Think Time : N.A Minimum Instruction Time : 0**

**Correct Marks : 5 Wrong Marks : 1**

**Question Key Details :**

Key	Value
Comprehension	MCQ

Chopper - Chopping comprises of which of the following types?

- A. Pebble tool
- B. Chopper
- C. Chopping
- D. Proto handaxe
- E. Points

Choose the correct answer from the options given below:

1. A, B, C, E only
2. B, C, D and E only
3. A, B, C and D only
4. A, B, and E only

**Options :**

485584136869. 1  
485584136870. 2  
485584136871. 3  
485584136872. 4

**Question Number : 113 Question Id : 48558434218 Question Type : MCQ Option Shuffling : No Is Question Mandatory : No Calculator : None Response Time : N.A Think Time : N.A Minimum Instruction Time : 0**

**Correct Marks : 5 Wrong Marks : 1**

**Question Key Details :**

Key	Value
-----	-------

ନିମ୍ନଲିଖିତ ଉତ୍ତର ଶିବ ମାନଙ୍କରୁ ସଠିକ୍ ଉତ୍ତର ବାଛି ଲେଖ

- A. Pebble tool
- B. Chopper
- C. Chopping
- D. Proto handaxe
- E. Points

ଘଟାଏ ଉତ୍ତର ବାଛି ଲେଖ

1. କେବଳ A, B, C, E
2. କେବଳ B, C, D ଏବଂ E
3. କେବଳ A, B, C ଏବଂ D
4. କେବଳ A, B, ଏବଂ E

**Options :**

- 485584136869. 1
- 485584136870. 2
- 485584136871. 3
- 485584136872. 4

**Question Number : 114 Question Id : 48558434219 Question Type : MCQ Option Shuffling : No Is Question Mandatory : No Calculator : None Response Time : N.A Think Time : N.A Minimum Instruction Time : 0**

**Correct Marks : 5 Wrong Marks : 1**

**Question Key Details :**

Key	Value
Comprehension	MCQ

\_\_\_\_\_ is believed to have dominated the Middle Palaeolithic stage of human culture.

1. Homo-sapien sapien
2. Narmada man
3. Neanderthal man
4. Homo erectus

**Options :**

- 485584136873. 1
- 485584136874. 2
- 485584136875. 3
- 485584136876. 4

**Question Number : 114 Question Id : 48558434219 Question Type : MCQ Option Shuffling : No Is Question Mandatory : No Calculator : None Response Time : N.A Think Time : N.A Minimum Instruction Time : 0**

**Correct Marks : 5 Wrong Marks : 1**

**Question Key Details :**

Key	Value
Comprehension	MCQ

\_\_\_\_\_ କୁ ବିଶ୍ୱାସ କରାଯାଏ ଯେ ମଣିଷ ସଂସ୍କୃତିରେ ତାହା ମଧ୍ୟ ପାଲିଓଲିଥିକ୍ ଷ୍ଟର ଆଧିପତ୍ୟ ବିସ୍ତାର କରି ରଖେ।

1. Homo-sapien sapien
2. Narmada man
3. Neanderthal man
4. Homo erectus

**Options :**

485584136873. 1  
485584136874. 2  
485584136875. 3  
485584136876. 4

**Question Number : 115 Question Id : 48558434220 Question Type : MCQ Option Shuffling : No Is Question Mandatory : No Calculator : None Response Time : N.A Think Time : N.A Minimum Instruction Time : 0**

**Correct Marks : 5 Wrong Marks : 1**

**Question Key Details :**

Key	Value
Comprehension	MCQ

The earliest occurrence of Middle Palaeolithic cultural phase in India is dated around:

1. 1,00,000 BC
2. 10,000 BC
3. 36,000 BC
4. 3,60,000 BC

**Options :**

485584136877. 1  
485584136878. 2  
485584136879. 3  
485584136880. 4

**Question Number : 115 Question Id : 48558434220 Question Type : MCQ Option Shuffling : No Is Question Mandatory : No Calculator : None Response Time : N.A Think Time : N.A Minimum Instruction Time : 0**

**Correct Marks : 5 Wrong Marks : 1**

**Question Key Details :**

Key	Value
Comprehension	MCQ

ମଧ୍ୟ ପାଲିଓଲିଥିକ୍ ସଂସ୍କୃତି ଛର ଆଦ୍ୟ ଅବସ୍ଥାର କେଉଁ ବି.ସି.?

1. 1,00,000 BC
2. 10,000 BC
3. 36,000 BC
4. 3,60,000 BC

**Options :**

485584136877. 1  
485584136878. 2  
485584136879. 3  
485584136880. 4

**Question Number : 116 Question Id : 48558434221 Question Type : MCQ Option Shuffling : No Is Question Mandatory : No Calculator : None Response Time : N.A Think Time : N.A Minimum Instruction Time : 0**

**Correct Marks : 5 Wrong Marks : 1**

**Question Key Details :**

Key	Value
Comprehension	MCQ

The transitional period between Upper Palaeolithic and Neolithic is:

1. Lower Palaeolithic
2. Middle Palaeolithic
3. Mesolithic
4. Chalcolithic Culture

**Options :**

485584136881. 1  
485584136882. 2  
485584136883. 3  
485584136884. 4

**Question Number : 116 Question Id : 48558434221 Question Type : MCQ Option Shuffling : No Is Question Mandatory : No Calculator : None Response Time : N.A Think Time : N.A Minimum Instruction Time : 0**

**Correct Marks : 5 Wrong Marks : 1**

**Question Key Details :**

Key	Value
Comprehension	MCQ



ଉତ୍ତର ପାଲିଓଲିଥିକ୍ ଓ ମିଓଲିଥିକ୍ ମଧ୍ୟରେ ପାରମ୍ପରିକ ସମୟ ହେଉଛି:

1. Lower Palaeolithic
2. Middle Palaeolithic
3. Mesolithic
4. Chalcolithic Culture

**Options :**

485584136881. 1  
485584136882. 2  
485584136883. 3  
485584136884. 4

**Question Number : 117 Question Id : 48558434222 Question Type : MCQ Option Shuffling : No Is Question Mandatory : No Calculator : None Response Time : N.A Think Time : N.A Minimum Instruction Time : 0**

**Correct Marks : 5 Wrong Marks : 1**

**Question Key Details :**

Key	Value
Comprehension	MCQ

The earliest manifestation of Neolithic Culture in South India is seen at.

1. Burzahom
2. Bagor
3. Sanganakallu
4. Hathnora

**Options :**

485584136885. 1  
485584136886. 2  
485584136887. 3  
485584136888. 4

**Question Number : 117 Question Id : 48558434222 Question Type : MCQ Option Shuffling : No Is Question Mandatory : No Calculator : None Response Time : N.A Think Time : N.A Minimum Instruction Time : 0**

**Correct Marks : 5 Wrong Marks : 1**

**Question Key Details :**

Key	Value
Comprehension	MCQ

ଦକ୍ଷିଣ ଭାରତର ଆଦ୍ୟ ପ୍ରସ୍ତୁତି ନିର୍ଦ୍ଦେଶକ ଦୃଶ୍ୟ କେଉଁଠି ହୁଏ?

1. Burzahom
2. Bagor
3. Sanganakallu
4. Hathnora

**Options :**

485584136885. 1  
485584136886. 2  
485584136887. 3  
485584136888. 4

**Question Number : 118 Question Id : 48558434223 Question Type : MCQ Option Shuffling : No Is Question Mandatory : No Calculator : None Response Time : N.A Think Time : N.A Minimum Instruction Time : 0**

**Correct Marks : 5 Wrong Marks : 1**

**Question Key Details :**

Key	Value
Comprehension	MCQ

Arrange the following in chronological order beginning with the oldest first.

- A. Lower Palaeolithic
- B. Neolithic
- C. Middle Palaeolithic
- D. Mesolithic
- E. Upper Palaeolithic

Choose the correct answer from the options given below:

1. A, B, C, D, E
2. B, D, C, E, A
3. A, C, E, D, B
4. A, E, B, C, D

**Options :**

485584136889. 1  
485584136890. 2  
485584136891. 3  
485584136892. 4

**Question Number : 118 Question Id : 48558434223 Question Type : MCQ Option Shuffling : No Is Question Mandatory : No Calculator : None Response Time : N.A Think Time : N.A Minimum Instruction Time : 0**

**Correct Marks : 5 Wrong Marks : 1**

**Question Key Details :**

Key	Value
Comprehension	MCQ

ନିମ୍ନଲିଖିତ ସଂସ୍କୃତିକୁ କ୍ରମାବୁଦ୍ଧରେ ସଜାଡ଼ି ଲେଖ:

- A. Lower Palaeolithic
- B. Neolithic
- C. Middle Palaeolithic
- D. Mesolithic
- E. Upper Palaeolithic

ଘଟାଇ ଉତ୍ତର ଲେଖ

1. A, B, C, D, E
2. B, D, C, E, A
3. A, C, E, D, B
4. A, E, B, C, D

**Options :**

- 485584136889. 1
- 485584136890. 2
- 485584136891. 3
- 485584136892. 4

**Question Number : 119 Question Id : 48558434224 Question Type : MCQ Option Shuffling : No Is Question Mandatory : No Calculator : None Response Time : N.A Think Time : N.A Minimum Instruction Time : 0**

**Correct Marks : 5 Wrong Marks : 1**

**Question Key Details :**

Key	Value
Comprehension	MCQ

Which of the following statements are correct for S.C. Roy?

- A. He was a lawyer by profession
- B. He had a formal degree in anthropology
- C. He founded the journal, Eastern Anthropologist
- D. He was the first person to describe 'dhumkuria'
- E. He founded the journal, Man in India.

Choose the correct answer from the options given below:

1. A, C and E only
2. B, D and E only
3. A, D and E only
4. B, C and E only

**Options :**

- 485584136893. 1
- 485584136894. 2
- 485584136895. 3
- 485584136896. 4

Question Number : 119 Question Id : 48558434224 Question Type : MCQ Option Shuffling : No Is Question Mandatory : No Calculator : None Response Time : N.A Think Time : N.A Minimum Instruction Time : 0

Correct Marks : 5 Wrong Marks : 1

Question Key Details :

Key	Value
Comprehension	MCQ

ନିମ୍ନଲିଖିତ ଉକ୍ତି ମାନଙ୍କ ମଧ୍ୟରୁ ଏସ୍.ସି. ରାୟ କର କେଉଁ ଉକ୍ତିଟି ଠିକ୍?

- A. ସେ ବୃତ୍ତିରେ ଜଣେ ଓକିଲ ଥିଲେ
- B. ତାଙ୍କର ନୂ-ତତ୍ତ୍ୱରେ ଏକ ଔପଚାରିକ ତିଗ୍ରୀ ଥିଲା
- C. ସେ ଗୋଟିଏ ପତ୍ରିକା ପାଠକ ଥିଲେ, ପୂର୍ବ ନୂ-ତତ୍ତ୍ୱବିତ୍
- D. ସେ ହେଉଛନ୍ତି ପ୍ରଥମ ମଣିଷ ଯିଏ "ଧୂମ କୁରିଆ" ବ୍ୟାଖ୍ୟା କରିଥିଲେ
- E.

ଯଥାର୍ଥ ଭାବରେ ଦିଅ:

- 1. କେବଳ A, C ଏବଂ E
- 2. କେବଳ B, D ଏବଂ E
- 3. କେବଳ A, D ଏବଂ E
- 4. କେବଳ B, C ଏବଂ E

Options :

- 485584136893. 1
- 485584136894. 2
- 485584136895. 3
- 485584136896. 4

Question Number : 120 Question Id : 48558434225 Question Type : MCQ Option Shuffling : No Is Question Mandatory : No Calculator : None Response Time : N.A Think Time : N.A Minimum Instruction Time : 0

Correct Marks : 5 Wrong Marks : 1

Question Key Details :

Key	Value
Comprehension	MCQ

Arrange the following cultures in chronological order.

- A. Abbevillian
- B. Mousterian
- C. Chalcolithic
- D. Azilian
- E. Chatelperronian

Choose the correct answer from the options given below:

1. A, B, E, D, C
2. A, B, C, D, E
3. B, C, D, A, E
4. D, E, B, A, C

**Options :**

- 485584136897. 1
- 485584136898. 2
- 485584136899. 3
- 485584136900. 4

**Question Number : 120 Question Id : 48558434225 Question Type : MCQ Option Shuffling : No Is Question Mandatory : No Calculator : None Response Time : N.A Think Time : N.A Minimum Instruction Time : 0**

**Correct Marks : 5 Wrong Marks : 1**

**Question Key Details :**

Key	Value
Comprehension	MCQ

ନିମ୍ନଲିଖିତ ସଂସ୍କୃତିକୁ କ୍ରମାବଦ୍ଧରେ ସଜାଡ଼ି ଲେଖ

- A. Abbevillian
- B. Mousterian
- C. Chalcolithic
- D. Azilian
- E. Chatelperronian

ଉତ୍ତରୀ ଉତ୍ତର ବାଛି ଲେଖ

1. A, B, E, D, C
2. A, B, C, D, E
3. B, C, D, A, E
4. D, E, B, A, C

**Options :**

- 485584136897. 1
- 485584136898. 2
- 485584136899. 3
- 485584136900. 4

Question Number : 121 Question Id : 48558434226 Question Type : MCQ Option Shuffling : No Is Question Mandatory : No Calculator : None Response Time : N.A Think Time : N.A Minimum Instruction Time : 0

Correct Marks : 5 Wrong Marks : 1

Question Key Details :

Key	Value
Comprehension	MCQ

\_\_\_\_\_ describes the diverse economic arrangements developed by human being in different times and places.

1. Physical Anthropology
2. Archaeological Anthropology
3. Economic Anthropology
4. Linguistic Anthropology

Options :

- 485584136901. 1
- 485584136902. 2
- 485584136903. 3
- 485584136904. 4

Question Number : 121 Question Id : 48558434226 Question Type : MCQ Option Shuffling : No Is Question Mandatory : No Calculator : None Response Time : N.A Think Time : N.A Minimum Instruction Time : 0

Correct Marks : 5 Wrong Marks : 1

Question Key Details :

Key	Value
Comprehension	MCQ

\_\_\_\_\_ ବିଭିନ୍ନ ସମୟ ଓ ସ୍ଥାନକୁ ନେଇ ଆର୍ଥିକ କ୍ରମାବଳୀକୁ ସଜାଡ଼ି ବ୍ୟାଖ୍ୟା କରିଥିଲେ

1. ଶାରୀରିକ ନୂତନ
2. ସ୍ଥାପତ୍ୟ ନୂତନ
3. ଆର୍ଥିକ ନୂତନ
4. ଭାଷା ନୂତନ

Options :

- 485584136901. 1
- 485584136902. 2
- 485584136903. 3
- 485584136904. 4

Question Number : 122 Question Id : 48558434227 Question Type : MCQ Option Shuffling : No Is Question Mandatory : No Calculator : None Response Time : N.A Think Time : N.A Minimum Instruction Time : 0

Correct Marks : 5 Wrong Marks : 1

Question Key Details :

Key	Value
Comprehension	MCQ

Arrange the following agricultural activities in order of their occurrence in the paddy cultivation.

- A. Threshing
- B. Sowing
- C. Harvesting
- D. Winnowing
- E. Protecting Plants

Choose the correct answer from the options given below:

- 1. A, B, C, D, E
- 2. E, D, B, C, A
- 3. B, E, C, A, D
- 4. C, D, E, B, A

**Options :**

- 485584136905. 1
- 485584136906. 2
- 485584136907. 3
- 485584136908. 4

**Question Number : 122 Question Id : 48558434227 Question Type : MCQ Option Shuffling : No Is Question Mandatory : No Calculator : None Response Time : N.A Think Time : N.A Minimum Instruction Time : 0**

**Correct Marks : 5 Wrong Marks : 1**

**Question Key Details :**

Key	Value
Comprehension	MCQ

ଧାନଚାଷ କରିବା ପାଇଁ ନିମ୍ନଲିଖିତ ପ୍ରକ୍ରିୟା ମାନଙ୍କୁ ସୁ-ସଜିତ କରି ଲେଖ

- A. Threshing
- B. Sowing
- C. Harvesting
- D. Winnowing
- E. Protecting Plants

ସଠାଏ ଉତ୍ତର ଦାଢ଼ି ଲେଖ

- 1. A, B, C, D, E
- 2. E, D, B, C, A
- 3. B, E, C, A, D
- 4. C, D, E, B, A

**Options :**

- 485584136905. 1
- 485584136906. 2

485584136907. 3

485584136908. 4

**Question Number : 123 Question Id : 48558434228 Question Type : MCQ Option Shuffling : No Is Question Mandatory : No Calculator : None Response Time : N.A Think Time : N.A Minimum Instruction Time : 0**

**Correct Marks : 5 Wrong Marks : 1**

**Question Key Details :**

Key	Value
Comprehension	MCQ

Match List I with List II

LIST I		LIST II	
A.	Cultivation of fruits and vegetables	I.	Community hunting
B.	Cultivation using plough and yoke	II.	Terrace cultivation
C.	Hunting by a group of persons	III.	Plough cultivation
D.	Cultivation on hill slopes	IV.	Horticulture

Choose the correct answer from the options given below:

1. A-I, B-II, C-III, D-IV

2. A-I, B-IV, C-II, D-III

3. A-IV, B-III, C-II, D-I

4. A-IV, B-III, C-I, D-II

**Options :**

485584136909. 1

485584136910. 2

485584136911. 3

485584136912. 4

**Question Number : 123 Question Id : 48558434228 Question Type : MCQ Option Shuffling : No Is Question Mandatory : No Calculator : None Response Time : N.A Think Time : N.A Minimum Instruction Time : 0**

**Correct Marks : 5 Wrong Marks : 1**

**Question Key Details :**

Key	Value
Comprehension	MCQ



ସଂଯୋଗ କର

ତାଲିକା I		ତାଲିକା II	
A.	ଫଳ ଓ ପାରିବା ଚାଷ	I.	ଗୋଷ୍ଠୀଗତ ଶିକାର
B.	ନିର୍ଜଳ ଓ ଚମରୀଗାଈ ବ୍ୟବହାର କରି ଚାଷ କରିବା	II.	ତେରେସ୍ ଚାଷ
C.	ଦଳେ ଲୋକ ଦ୍ଵାରା ଶିକାର କରିବା	III.	ନିର୍ଜଳ ଚାଷ
D.	ପାହାଡ଼ ସ୍ଵାପରେ ଚାଷ	IV.	ଉଦ୍ୟାନ କୃଷି ଚାଷ

ଯଥାର୍ଥ ଭିତର ବାଛି ଲେଖ

1. A-I, B-II, C-III, D-IV
2. A-I, B-IV, C-II, D-III
3. A-IV, B-III, C-II, D-I
4. A-IV, B-III, C-I, D-II

**Options :**

485584136909. 1  
485584136910. 2  
485584136911. 3  
485584136912. 4

**Question Number : 124 Question Id : 48558434229 Question Type : MCQ Option Shuffling : No Is Question Mandatory : No Calculator : None Response Time : N.A Think Time : N.A Minimum Instruction Time : 0**

**Correct Marks : 5 Wrong Marks : 1**

**Question Key Details :**

Key	Value
Comprehension	MCQ

Food Gathering economy is not based on:

1. Gathering of fruits and roots
2. Horticulture
3. Hunting
4. Fishing

**Options :**

485584136913. 1  
485584136914. 2  
485584136915. 3  
485584136916. 4

**Question Number : 124 Question Id : 48558434229 Question Type : MCQ Option Shuffling : No Is Question Mandatory : No Calculator : None Response Time : N.A Think Time : N.A Minimum Instruction Time : 0**

**Correct Marks : 5 Wrong Marks : 1**

**Question Key Details :**

Key	Value
-----	-------

Comprehension	MCQ
---------------	-----

ଶାଦ୍ୟ ସଂଗ୍ରହ ଅର୍ଥ କେଉଁଠିର ଆଧାର ରୁହେଁ:

1. ଫଳ ଓ ମୂଳର ସଂଗ୍ରହ
2. ଭଦ୍ୟାନ କୃଷି
3. ଶିକାର
4. ମାଛ ଚାଷ

**Options :**

485584136913. 1  
485584136914. 2  
485584136915. 3  
485584136916. 4

**Question Number : 125 Question Id : 48558434230 Question Type : MCQ Option Shuffling : No Is Question Mandatory : No Calculator : None Response Time : N.A Think Time : N.A Minimum Instruction Time : 0**

**Correct Marks : 5 Wrong Marks : 1**

**Question Key Details :**

Key	Value
Comprehension	MCQ

In Arunachal Pradesh, Shifting Cultivation is called as.

1. Shyrti
2. Tekeonglu
3. Bogma
4. Adimik

**Options :**

485584136917. 1  
485584136918. 2  
485584136919. 3  
485584136920. 4

**Question Number : 125 Question Id : 48558434230 Question Type : MCQ Option Shuffling : No Is Question Mandatory : No Calculator : None Response Time : N.A Think Time : N.A Minimum Instruction Time : 0**

**Correct Marks : 5 Wrong Marks : 1**

**Question Key Details :**

Key	Value
Comprehension	MCQ

ଅରୁଣାଚଳ ପ୍ରଦେଶ ର ସ୍ଥାନାନ୍ତର ତାପ ହେଉଛି:

1. Shyrti
2. Tekeonglu
3. Bogma
4. Adimik

**Options :**

- 485584136917. 1
- 485584136918. 2
- 485584136919. 3
- 485584136920. 4

**Question Number : 126 Question Id : 48558434231 Question Type : MCQ Option Shuffling : No Is Question Mandatory : No Calculator : None Response Time : N.A Think Time : N.A Minimum Instruction Time : 0**

**Correct Marks : 5 Wrong Marks : 1**

**Question Key Details :**

Key	Value
Comprehension	MCQ

Mean annual temperature (in°C) is negative in which of the following biomes.

1. Deserts
2. Tropical forests
3. Arctic and Alpine tundra
4. Grasslands

**Options :**

- 485584136921. 1
- 485584136922. 2
- 485584136923. 3
- 485584136924. 4

**Question Number : 126 Question Id : 48558434231 Question Type : MCQ Option Shuffling : No Is Question Mandatory : No Calculator : None Response Time : N.A Think Time : N.A Minimum Instruction Time : 0**

**Correct Marks : 5 Wrong Marks : 1**

**Question Key Details :**

Key	Value
Comprehension	MCQ

ବାର୍ଷିକ ମିତ୍ତ ତାପମାତ୍ରା କେଉଁଠାରେ ନେଗେଟିଭ।

1. ମରୁଭୂମି
2. ଚ୍ରପିକାଳ ଜଙ୍ଗଲ
3. ଅରକଟିକ୍ ଏବଂ ଆଲପିନ୍ ଅଞ୍ଚଳ
4. ଘାସ ପଡ଼ିଆ

**Options :**

485584136921. 1  
485584136922. 2  
485584136923. 3  
485584136924. 4

**Question Number : 127 Question Id : 48558434232 Question Type : MCQ Option Shuffling : No Is Question Mandatory : No Calculator : None Response Time : N.A Think Time : N.A Minimum Instruction Time : 0**

**Correct Marks : 5 Wrong Marks : 1**

**Question Key Details :**

Key	Value
Comprehension	MCQ

The micro-organisms like bacteria and fungi are called:

1. Autotrophs
2. Omnivore
3. Herbivores
4. Decomposers

**Options :**

485584136925. 1  
485584136926. 2  
485584136927. 3  
485584136928. 4

**Question Number : 127 Question Id : 48558434232 Question Type : MCQ Option Shuffling : No Is Question Mandatory : No Calculator : None Response Time : N.A Think Time : N.A Minimum Instruction Time : 0**

**Correct Marks : 5 Wrong Marks : 1**

**Question Key Details :**

Key	Value
Comprehension	MCQ

ମାଲକୋଥରୀନିଜିମ୍ ବ୍ୟାକ୍ଟେରିଆ ଏବଂ ଫଙ୍ଗିକୁ କ'ଣ କୁହାଯାଏ:

1. Autotrophs
2. Omnivore
3. Herbivores
4. Decomposers

**Options :**

485584136925. 1  
485584136926. 2  
485584136927. 3  
485584136928. 4

**Question Number : 128 Question Id : 48558434233 Question Type : MCQ Option Shuffling : No Is Question Mandatory : No Calculator : None Response Time : N.A Think Time : N.A Minimum Instruction Time : 0**

**Correct Marks : 5 Wrong Marks : 1**

**Question Key Details :**

Key	Value
Comprehension	MCQ

Match List I with List II

LIST I		LIST II	
A.	Cow	I.	Omnivore
B.	Humans	II.	Carnivore
C.	Lion	III.	Detritivore
D.	Earthworm	IV.	Herbivore

Choose the correct answer from the options given below:

1. A-II, B-I, C-III, D-IV
2. A-IV, B-I, C-II, D-III
3. A-I, B-III, C-II, D-IV
4. A-I, B-II, C-III, D-IV

**Options :**

485584136929. 1  
485584136930. 2  
485584136931. 3  
485584136932. 4

**Question Number : 128 Question Id : 48558434233 Question Type : MCQ Option Shuffling : No Is Question Mandatory : No Calculator : None Response Time : N.A Think Time : N.A Minimum Instruction Time : 0**

**Correct Marks : 5 Wrong Marks : 1**

**Question Key Details :**

Key	Value
Comprehension	MCQ

'କ' ଶ୍ରେଣୀ ଏବଂ 'ଖ' ଶ୍ରେଣୀ ମିଳନ

'କ' ଶ୍ରେଣୀ		'ଖ' ଶ୍ରେଣୀ	
A.	ଗାଈ	I.	ଓମନିଭୋର୍
B.	ମଣିଷ	II.	କାରନିଭୋର୍
C.	ସିଂହ	III.	ଡେକ୍ସିଭୋର୍
D.	ଜିଆ	IV.	ହରବିଭୋର୍

ସଠିକ୍ ଉତ୍ତର ବାଛି:

1. A-II, B-I, C-III, D-IV
2. A-IV, B-I, C-II, D-III
3. A-I, B-III, C-II, D-IV
4. A-I, B-II, C-III, D-IV

**Options :**

485584136929. 1  
485584136930. 2  
485584136931. 3  
485584136932. 4

**Question Number : 129 Question Id : 48558434234 Question Type : MCQ Option Shuffling : No Is Question Mandatory : No Calculator : None Response Time : N.A Think Time : N.A Minimum Instruction Time : 0**

**Correct Marks : 5 Wrong Marks : 1**

**Question Key Details :**

Key	Value
Comprehension	MCQ

Itai - Itai disease among the people of Japan was primarily caused due to consumption of.

- A. Cadmium contaminated rice
- B. Cadmium contaminated water
- C. Cadmium Contaminated Fish
- D. Contaminated Milk

1. A and B only
2. B and C only
3. C and D only
4. A and D only

**Options :**

485584136933. 1  
485584136934. 2  
485584136935. 3  
485584136936. 4

Question Number : 129 Question Id : 48558434234 Question Type : MCQ Option Shuffling : No Is Question Mandatory : No Calculator : None Response Time : N.A Think Time : N.A Minimum Instruction Time : 0

Correct Marks : 5 Wrong Marks : 1

Question Key Details :

Key	Value
Comprehension	MCQ

ଇଟାଲ-ଇଟାଲ ରୋଗ ଜୀବନରେ ସ୍ଥାପିଥିଲା ଏହା କ'ଣ ଖାଇବା ଦ୍ୱାରା ହୋଇଥିଲା।

- A. Cadmium contaminated rice
- B. Cadmium contaminated water
- C. Cadmium Contaminated Fish
- D. Contaminated Milk

1. କେବଳ A ଏବଂ B

2. କେବଳ B ଏବଂ C

3. କେବଳ C ଏବଂ D

4. କେବଳ A ଏବଂ D

Options :

- 485584136933. 1
- 485584136934. 2
- 485584136935. 3
- 485584136936. 4

Question Number : 130 Question Id : 48558434235 Question Type : MCQ Option Shuffling : No Is Question Mandatory : No Calculator : None Response Time : N.A Think Time : N.A Minimum Instruction Time : 0

Correct Marks : 5 Wrong Marks : 1

Question Key Details :

Key	Value
Comprehension	MCQ

\_\_\_\_\_ is characterised by less prominent cheek bones and absence of fascial prognathism.

- 1. Causasoid
- 2. Negroid
- 3. Mongoloid
- 4. Australoid

Options :

- 485584136937. 1
- 485584136938. 2
- 485584136939. 3
- 485584136940. 4

Question Number : 130 Question Id : 48558434235 Question Type : MCQ Option Shuffling : No Is Question Mandatory : No Calculator : None Response Time : N.A Think Time : N.A Minimum Instruction Time : 0

Correct Marks : 5 Wrong Marks : 1

Question Key Details :

Key	Value
Comprehension	MCQ

\_\_\_\_\_ ଛୋଟ ସ୍ତ୍ରୀଙ୍କ ଚିନ୍ତା ବୋଧ (ସ୍ରୀତ)

1. Causasoid
2. Negroid
3. Mongoloid
4. Australoid

Options :

485584136937. 1  
485584136938. 2  
485584136939. 3  
485584136940. 4

Question Number : 131 Question Id : 48558434236 Question Type : MCQ Option Shuffling : No Is Question Mandatory : No Calculator : None Response Time : N.A Think Time : N.A Minimum Instruction Time : 0

Correct Marks : 5 Wrong Marks : 1

Question Key Details :

Key	Value
Comprehension	MCQ

A family which one sets up after one's marriage is called as.

1. Family of orientation
2. Family of origin
3. Family of procreation
4. Family of happiness

Options :

485584136941. 1  
485584136942. 2  
485584136943. 3  
485584136944. 4

Question Number : 131 Question Id : 48558434236 Question Type : MCQ Option Shuffling : No Is Question Mandatory : No Calculator : None Response Time : N.A Think Time : N.A Minimum Instruction Time : 0

Correct Marks : 5 Wrong Marks : 1

Question Key Details :

Key	Value
Comprehension	MCQ



ଜଣକ ବିବାହ ପରେ ସୃଷ୍ଟି ହୋଇଥିବା ପରିବାରକୁ କ'ଣ କୁହାଯାଏ।

1. Family of orientation
2. Family of origin
3. Family of procreation
4. Family of happiness

**Options :**

- 485584136941. 1
- 485584136942. 2
- 485584136943. 3
- 485584136944. 4

**Question Number : 132 Question Id : 48558434237 Question Type : MCQ Option Shuffling : No Is Question Mandatory : No Calculator : None Response Time : N.A Think Time : N.A Minimum Instruction Time : 0**

**Correct Marks : 5 Wrong Marks : 1**

**Question Key Details :**

Key	Value
Comprehension	MCQ

\_\_\_\_\_ is one form of unilineal descent, where males trace ancestry through males and females through females.

1. Double unilineal descent
2. Ambilineal descent
3. Parallel descent
4. Double descent

**Options :**

- 485584136945. 1
- 485584136946. 2
- 485584136947. 3
- 485584136948. 4

**Question Number : 132 Question Id : 48558434237 Question Type : MCQ Option Shuffling : No Is Question Mandatory : No Calculator : None Response Time : N.A Think Time : N.A Minimum Instruction Time : 0**

**Correct Marks : 5 Wrong Marks : 1**

**Question Key Details :**

Key	Value
Comprehension	MCQ

\_\_\_\_\_ ଦ୍ୱାରା ଗୋଟିଏ ପୁରୁଷ ନିଜ ପୂର୍ବପୁରୁଷଙ୍କ ଦ୍ୱାରା ଏବଂ ମହିଳା ନିଜ ମହିଳା ପୂର୍ବପୁରୁଷଙ୍କ ଦ୍ୱାରା ଜଣାଯାଆନ୍ତି।

1. Double unilineal descent
2. Ambilineal descent
3. Parallel descent
4. Double descent

**Options :**

485584136945. 1  
485584136946. 2  
485584136947. 3  
485584136948. 4

**Question Number : 133 Question Id : 48558434238 Question Type : MCQ Option Shuffling : No Is Question Mandatory : No Calculator : None Response Time : N.A Think Time : N.A Minimum Instruction Time : 0**

**Correct Marks : 5 Wrong Marks : 1**

**Question Key Details :**

Key	Value
Comprehension	MCQ

The type of family found among Gonds and Baigas is called as:

1. Polyandrous family
2. Fraternal family
3. Non-Fraternal family
4. Polygynous family

**Options :**

485584136949. 1  
485584136950. 2  
485584136951. 3  
485584136952. 4

**Question Number : 133 Question Id : 48558434238 Question Type : MCQ Option Shuffling : No Is Question Mandatory : No Calculator : None Response Time : N.A Think Time : N.A Minimum Instruction Time : 0**

**Correct Marks : 5 Wrong Marks : 1**

**Question Key Details :**

Key	Value
Comprehension	MCQ

ଗୋଟିଏ ବଂ ବିଗାସିସ୍ ମଧ୍ୟରେ ଜଣାଯାଉଥିବା ପରିବାର ର ନାମ କ'ଣ:

1. Polyandrous family
2. Fraternal family
3. Non-Fraternal family
4. Polygynous family

**Options :**

485584136949. 1  
485584136950. 2  
485584136951. 3  
485584136952. 4

**Question Number : 134 Question Id : 48558434239 Question Type : MCQ Option Shuffling : No Is Question Mandatory : No Calculator : None Response Time : N.A Think Time : N.A Minimum Instruction Time : 0**

**Correct Marks : 5 Wrong Marks : 1**

**Question Key Details :**

Key	Value
Comprehension	MCQ

Which of the following are not the features of family?

- A. It is an economic unit
- B. It is a secondary social group
- C. It is unlimited in size
- D. It is a socializing unit
- E. It is a social unit

Choose the correct answer from the options given below:

1. B and C only
2. C and D only
3. B and D only
4. D and E only

**Options :**

485584136953. 1  
485584136954. 2  
485584136955. 3  
485584136956. 4

**Question Number : 134 Question Id : 48558434239 Question Type : MCQ Option Shuffling : No Is Question Mandatory : No Calculator : None Response Time : N.A Think Time : N.A Minimum Instruction Time : 0**

**Correct Marks : 5 Wrong Marks : 1**

**Question Key Details :**

Key	Value
Comprehension	MCQ

ନିମ୍ନୋକ୍ତ କେଉଁଟି ପରିବାରର ଲକ୍ଷଣ ନୁହେଁ।

- A. ଏହା ଏକ ଅର୍ଥନୈତିକ ସଂଗଠନ
- B. ଏହା ହେଉଛି ଦ୍ଵିତୀୟ ସାମାଜିକ ସଂଗଠନ
- C. ଏହାର ବିଷୟ ଅସାମିତ
- D. ଏହା ଏକ ସାମାଜିକ ସଂଗଠନ
- E.

ସଠିକ୍ ଉତ୍ତର ବାଛି ଲେଖ

- 1. କେବଳ B ଏବଂ C
- 2. କେବଳ C ଏବଂ D
- 3. କେବଳ B ଏବଂ D
- 4. କେବଳ D ଏବଂ E

**Options :**

- 485584136953. 1
- 485584136954. 2
- 485584136955. 3
- 485584136956. 4

**Question Number : 135 Question Id : 48558434240 Question Type : MCQ Option Shuffling : No Is Question Mandatory : No Calculator : None Response Time : N.A Think Time : N.A Minimum Instruction Time : 0**

**Correct Marks : 5 Wrong Marks : 1**

**Question Key Details :**

Key	Value
Comprehension	MCQ

Match List I with List II

LIST I		LIST II	
A.	Matrilineal	I.	Agnatic
B.	Matrilocal	II.	Uxorilocal
C.	Patrilineal	III.	Virilocal
D.	Patrilocal	IV.	Uterine

Choose the correct answer from the options given below:

- 1. A-IV, B-III, C-II, D-I
- 2. A-I, B-II, C-III, D-IV
- 3. A-IV, B-II, C-I, D-III
- 4. A-I, B-IV, C-III, D-II

**Options :**

- 485584136957. 1

485584136958. 2  
485584136959. 3  
485584136960. 4

**Question Number : 135 Question Id : 48558434240 Question Type : MCQ Option Shuffling : No Is Question Mandatory : No Calculator : None Response Time : N.A Think Time : N.A Minimum Instruction Time : 0**

**Correct Marks : 5 Wrong Marks : 1**

**Question Key Details :**

Key	Value
Comprehension	MCQ

'କ' ଶ୍ରମ ଏବଂ 'ଖ' ଶ୍ରମ ମିଳନ

'କ' ଶ୍ରମ		'ଖ' ଶ୍ରମ	
A.	ମାଟ୍ରିନିଆଲ	I.	ଅସାତିର
B.	ମାଟ୍ରିଲୋକାଲ	II.	ୟୁସୋରିଲୋକାଲ
C.	ପାଟ୍ରିନିଆଲ	III.	ଭିରିଲୋକାଲ
D.	ପାଟ୍ରିଲୋକାଲ	IV.	ୟୁସେରିନ୍

ସଠିକ୍ ଜଉର ବାଛ

1. A-IV, B-III, C-II, D-I
2. A-I, B-II, C-III, D-IV
3. A-IV, B-II, C-I, D-III
4. A-I, B-IV, C-III, D-II

**Options :**

485584136957. 1  
485584136958. 2  
485584136959. 3  
485584136960. 4

**Question Number : 136 Question Id : 48558434241 Question Type : MCQ Option Shuffling : No Is Question Mandatory : No Calculator : None Response Time : N.A Think Time : N.A Minimum Instruction Time : 0**

**Correct Marks : 5 Wrong Marks : 1**

**Question Key Details :**

Key	Value
Comprehension	MCQ

Who is revered as the Father of Ecology in India?

1. Kailash Satyarthi
2. Prof. W.H Pearsall
3. K.K. Misra
4. Ramdeo Misra

**Options :**

- 485584136961. 1
- 485584136962. 2
- 485584136963. 3
- 485584136964. 4

**Question Number : 136 Question Id : 48558434241 Question Type : MCQ Option Shuffling : No Is Question Mandatory : No Calculator : None Response Time : N.A Think Time : N.A Minimum Instruction Time : 0**

**Correct Marks : 5 Wrong Marks : 1**

**Question Key Details :**

Key	Value
Comprehension	MCQ

ଉତ୍କଳଲୋକର ଜଣକ କିଏ?

- 1. Kailash Satyarthi
- 2. Prof. W.H Pearsall
- 3. K.K. Misra
- 4. Ramdeo Misra

**Options :**

- 485584136961. 1
- 485584136962. 2
- 485584136963. 3
- 485584136964. 4

**Question Number : 137 Question Id : 48558434242 Question Type : MCQ Option Shuffling : No Is Question Mandatory : No Calculator : None Response Time : N.A Think Time : N.A Minimum Instruction Time : 0**

**Correct Marks : 5 Wrong Marks : 1**

**Question Key Details :**

Key	Value
Comprehension	MCQ

The percentage of oxygen in the atmosphere is \_\_\_\_\_.

- 1. 78.09%
- 2. 20.94%
- 3. 0.03%
- 4. 0.93%

**Options :**

- 485584136965. 1
- 485584136966. 2
- 485584136967. 3
- 485584136968. 4

**Question Number : 137 Question Id : 48558434242 Question Type : MCQ Option Shuffling : No Is Question Mandatory : No Calculator : None Response Time : N.A Think Time : N.A Minimum Instruction Time : 0**

Correct Marks : 5 Wrong Marks : 1

Question Key Details :

Key	Value
Comprehension	MCQ

ବାୟୁମଣ୍ଡଳରେ \_\_\_\_\_ % ଅମ୍ଳଜାନ ଅଛି।

1. 78.09%
2. 20.94%
3. 0.03%
4. 0.93%

Options :

- 485584136965. 1
- 485584136966. 2
- 485584136967. 3
- 485584136968. 4

Question Number : 138 Question Id : 48558434243 Question Type : MCQ Option Shuffling : No Is Question Mandatory : No Calculator : None Response Time : N.A Think Time : N.A Minimum Instruction Time : 0

Correct Marks : 5 Wrong Marks : 1

Question Key Details :

Key	Value
Comprehension	MCQ

Which one of the following is an example of an aquatic ecosystem?

1. Forest ecosystem
2. Desert ecosystem
3. Pond ecosystem
4. Grassland ecosystem

Options :

- 485584136969. 1
- 485584136970. 2
- 485584136971. 3
- 485584136972. 4

Question Number : 138 Question Id : 48558434243 Question Type : MCQ Option Shuffling : No Is Question Mandatory : No Calculator : None Response Time : N.A Think Time : N.A Minimum Instruction Time : 0

Correct Marks : 5 Wrong Marks : 1

Question Key Details :

Key	Value
Comprehension	MCQ

ନିମ୍ନୋକ୍ତ କେଉଁଟି ଜଳଜ ପରିସଂସ୍ଥାନ ଅଟେ।

1. ଜଙ୍ଗଲ ପରିସଂସ୍ଥାନ
2. ମରୁଭୂମି ପରିସଂସ୍ଥାନ
3. ଘୋଷରୀ ପରିସଂସ୍ଥାନ
4. ଘାସ ପଡ଼ିଆ ପରିସଂସ୍ଥାନ

**Options :**

485584136969. 1  
485584136970. 2  
485584136971. 3  
485584136972. 4

**Question Number : 139 Question Id : 48558434244 Question Type : MCQ Option Shuffling : No Is Question Mandatory : No Calculator : None Response Time : N.A Think Time : N.A Minimum Instruction Time : 0**

**Correct Marks : 5 Wrong Marks : 1**

**Question Key Details :**

Key	Value
Comprehension	MCQ

Arrange the following in an order.

- A. Secondary consumer
- B. Detritus
- C. Primary consumer
- D. Primary producer
- E. Tertiary consumer

Choose the correct answer from the options given below:

1. D, A, B, C, E
2. B, C, A, D, E
3. A, E, C, D, B
4. D, C, A, E, B

**Options :**

485584136973. 1  
485584136974. 2  
485584136975. 3  
485584136976. 4

**Question Number : 139 Question Id : 48558434244 Question Type : MCQ Option Shuffling : No Is Question Mandatory : No Calculator : None Response Time : N.A Think Time : N.A Minimum Instruction Time : 0**

**Correct Marks : 5 Wrong Marks : 1**

**Question Key Details :**

Key	Value
-----	-------



ନିମ୍ନୋକ୍ତ ତଥ୍ୟକୁ ସଠିକ୍ ଭାବରେ ସଜାଓ:

- A. Secondary consumer
- B. Detritus
- C. Primary consumer
- D. Primary producer
- E. Tertiary consumer

ସଠିକ୍ ଉତ୍ତର ବାଛି ଲେଖ

1. D, A, B, C, E
2. B, C, A, D, E
3. A, E, C, D, B
4. D, C, A, E, B

**Options :**

- 485584136973. 1
- 485584136974. 2
- 485584136975. 3
- 485584136976. 4

**Question Number : 140 Question Id : 48558434245 Question Type : MCQ Option Shuffling : No Is Question Mandatory : No Calculator : None Response Time : N.A Think Time : N.A Minimum Instruction Time : 0**

**Correct Marks : 5 Wrong Marks : 1**

**Question Key Details :**

Key	Value
Comprehension	MCQ

The smallest microscopic organism that are found on the surface of water bodies like pond, lake etc are known as:

1. Nektons
2. Phytoplankton
3. Floating plants
4. Terrestrial plants

**Options :**

- 485584136977. 1
- 485584136978. 2
- 485584136979. 3
- 485584136980. 4

**Question Number : 140 Question Id : 48558434245 Question Type : MCQ Option Shuffling : No Is Question Mandatory : No Calculator : None Response Time : N.A Think Time : N.A Minimum Instruction Time : 0**

**Correct Marks : 5 Wrong Marks : 1**

**Question Key Details :**

Key	Value
Comprehension	MCQ

ପୋଖରୀ ଏବଂ ହ୍ରଦର ଜଳ ଉପରେ ଦେଖାଯାଉଥିବା ଛୋଟ ମାଇକ୍ରୋଓଗ୍ୟାନର ନାମ କ'ଣ:

1. Nektons
2. Phytoplankton
3. Floating plants
4. Terrestrial plants

**Options :**

485584136977. 1  
 485584136978. 2  
 485584136979. 3  
 485584136980. 4

**Sub-Section Number :** 2  
**Sub-Section Id :** 4855842531  
**Question Shuffling Allowed :** No  
**Is Section Default? :** null

**Question Number : 141 Question Id : 48558434246 Question Type : MCQ Option Shuffling : No Is Question Mandatory : No Calculator : None Response Time : N.A Think Time : N.A Minimum Instruction Time : 0**

**Correct Marks : 5 Wrong Marks : 1**

**Question Key Details :**

Key	Value
Comprehension	Compl

The Mismi built their houses on raised platform. A traditional Mismi house is built with materials like bamboo and straw. The walls are constructed with bamboo and the roof is thatched. A typical Mismi house consists of a big hall like room which accommodates all the family members. The area near the entrance acts as a portico and is used to entertain guests. Below the platform the rooms are kept. It also sometimes houses the pigs which they rear. Adjacent to their house they construct cattlesheds and coops for reaching fowls. The fire place is called as meram and is considered as a sacred place.

The walls of the Mising's house is constructed using

1. Mud bricks
2. Bamboo
3. Plywood
4. Bricks with Cement

**Options :**

485584136981. 1  
 485584136982. 2  
 485584136983. 3  
 485584136984. 4

Question Number : 141 Question Id : 48558434246 Question Type : MCQ Option Shuffling : No Is Question Mandatory : No Calculator : None Response Time : N.A Think Time : N.A Minimum Instruction Time : 0

Correct Marks : 5 Wrong Marks : 1

Question Key Details :

Key	Value
Comprehension	Comp1

ମିସିମି ମାନେ ନିଜ ଘର ଏକ ଉଚ୍ଚ ସ୍ଥାନରେ କରିଥାନ୍ତି। ଗୋଟିଏ ପାରମ୍ପରିକ ମିସିମି ଘର ବାଉଁଶ ଏବଂ ନଡ଼ାରେ ପ୍ରସ୍ତୁତ। ଘର ର କାନ୍ଥ ବାଉଁଶ ଏବଂ ଛାତ ନଡ଼ାର ଛଣରେ ତିଆରି। ଏହି ମିସିମି ଘରରେ ଗୋଟେ ବଡ଼ ଘର ରହିଥାଏ ଏବଂ ସେଥିରେ ସମସ୍ତ ଘରର ସଦସ୍ୟ ରହିଥାନ୍ତି। ଘରକୁ ପସିବାର ସମୟରେ ସଂଲଗ୍ନ ଏକ ବରଝା ଯାହା ଅତିଥି ମାନଙ୍କ ମନୋରଞ୍ଜନ କରେ। ଘରର ତଳେ ମଧ୍ୟ ଘର ରହିଥାଏ। ସେମାନେ ପାଳନ କରିଥିବା ଘୁଷୁରୀ ମାନଙ୍କ ପାଇଁ ଏକ ଘର ରହିଥାଏ। ଘରକୁ ଲାଗିକି ଗୁହାଳ କରିଛନ୍ତି। ସାକ୍ରାନ୍ତ ସ୍ଥାନରେ ଅଗ୍ନିସ୍ଥାନ ରହିଛି ଯାହାକୁ ମେରମ୍ କୁହାଯାଏ।

ମିସିମି ଘରେ କାନ୍ଥ କେଉଁଥିରେ ପ୍ରସ୍ତୁତ ହୋଇଛି:

1. Mud bricks
2. Bamboo
3. Plywood
4. Bricks with Cement

Options :

485584136981. 1  
485584136982. 2  
485584136983. 3  
485584136984. 4

Question Number : 142 Question Id : 48558434247 Question Type : MCQ Option Shuffling : No Is Question Mandatory : No Calculator : None Response Time : N.A Think Time : N.A Minimum Instruction Time : 0

Correct Marks : 5 Wrong Marks : 1

Question Key Details :

Key	Value
Comprehension	Comp1

The Mismi built their houses on raised platform. A traditional Mismi house is built with materials like bamboo and straw. The walls are constructed with bamboo and the roof is thatched. A typical Mismi house consists of a big hall like room which accommodates all the family members. The area near the entrance acts as a portico and is used to entertain guests. Below the platform the rooms are kept. It also sometimes houses the pigs which they rear. Adjacent to their house they construct cattlesheds and coops for reaching fowls. The fire place is called as meram and is considered as a sacred place.

A traditional Mising house is built with materials like.

1. Bamboo and tree leaves
2. Straw and tree leaves
3. Straw and Bamboo
4. Tree leaves and grass

**Options :**

485584136985. 1  
485584136986. 2  
485584136987. 3  
485584136988. 4

**Question Number : 142 Question Id : 48558434247 Question Type : MCQ Option Shuffling : No Is Question Mandatory : No Calculator : None Response Time : N.A Think Time : N.A Minimum Instruction Time : 0**

**Correct Marks : 5 Wrong Marks : 1**

**Question Key Details :**

Key	Value
Comprehension	Comp1

ମିସିଙ୍ଗ ମାନେ ନିଜ ଘର ଏକ ଉଚ୍ଚ ସ୍ଥାନରେ କରିଥାନ୍ତି। ଗୋଟିଏ ପାରମ୍ପରିକ ମିସିଙ୍ଗ ଘର ବାଉଁଶ ଏବଂ ନଡ଼ାରେ ପ୍ରସ୍ତୁତ। ଘର ର କାନ୍ଥ ବାଉଁଶ ଏବଂ ଛାତ ନଡ଼ାର ଛଣରେ ତିଆରି। ଏହି ମିସିଙ୍ଗ ଘରରେ ଗୋଟେ ବଡ଼ ଘର ରହିଥାଏ ଏବଂ ସେଥିରେ ସମସ୍ତ ଘରର ସଦସ୍ୟ ରହିଥାନ୍ତି। ଘରକୁ ପସିବାର ସମୟରେ ସଂଲଗ୍ନ ଏକ ବରଣା ଯାହା ଅତିଥି ମାନଙ୍କ ମନୋରଞ୍ଜନ କରେ। ଘରର ତଳେ ମଧ୍ୟ ଘର ରହିଥାଏ। ସେମାନେ ପାଳନ କରିଥିବା ଗୁସୁରୀ ମାନଙ୍କ ପାଇଁ ଏକ ଘର ରହିଥାଏ। ଘରକୁ ଲାଗିକି ଗୁହାଳ କରିଛନ୍ତି। ସାକ୍ରାନ୍ତ ସ୍ଥାନରେ ଅବିସ୍ମାନ ରହିଛି ଯାହାକୁ ମେରମ୍ କୁହାଯାଏ।

ପାରମ୍ପରିକ ମିସିଙ୍ଗ ଘର କେଉଁଥିରୁ ପ୍ରସ୍ତୁତ ହୋଇଛି

1. ବାଉଁଶ ଏବଂ ଗଛପତ୍ରରୁ
2. ନଡ଼ା ଏବଂ ଗଛପତ୍ରରୁ
3. ନଡ଼ା ଏବଂ ବାଉଁଶ
4. ଗଛପତ୍ର ଏବଂ ଘାସ

**Options :**

485584136985. 1  
485584136986. 2  
485584136987. 3  
485584136988. 4

**Question Number : 143 Question Id : 48558434248 Question Type : MCQ Option Shuffling : No Is Question Mandatory : No Calculator : None Response Time : N.A Think Time : N.A Minimum Instruction Time : 0**

**Correct Marks : 5 Wrong Marks : 1**

**Question Key Details :**

Key	Value
-----	-------

The Mismi built their houses on raised platform. A traditional Mismi house is built with materials like bamboo and straw. The walls are constructed with bamboo and the roof is thatched. A typical Mismi house consists of a big hall like room which accommodates all the family members. The area near the entrance acts as a portico and is used to entertain guests. Below the platform the rooms are kept. It also sometimes houses the pigs which they rear. Adjacent to their house they construct cattlesheds and coops for rearing fowls. The fire place is called as meram and is considered as a sacred place.

\_\_\_\_\_ is a place called as meram and is considered as a sacred place in Misings.

1. Big hall
2. Fire place
3. Temple outside village
4. Mosque

**Options :**

485584136989. 1  
485584136990. 2  
485584136991. 3  
485584136992. 4

**Question Number : 143 Question Id : 48558434248 Question Type : MCQ Option Shuffling : No Is Question Mandatory : No Calculator : None Response Time : N.A Think Time : N.A Minimum Instruction Time : 0**

**Correct Marks : 5 Wrong Marks : 1**

**Question Key Details :**

Key	Value
Comprehension	Comp1

ମିସିମିମି ମାନେ ନିଜ ଘର ଏକ ଉଚ୍ଚ ସ୍ଥାନରେ କରିଥାନ୍ତି। ଗୋଟିଏ ପାରମ୍ପରିକ ମିସିମିମି ଘର ବାଉଁଶ ଏବଂ ନଡ଼ାରେ ପ୍ରସ୍ତୁତ। ଘର ର କାନ୍ଥ ବାଉଁଶ ଏବଂ ଛାତ ନଡ଼ାର ଛଣରେ ତିଆରି। ଏହି ମିସିମିମି ଘରରେ ଗୋଟେ ବଡ଼ ଘର ରହିଥାଏ ଏବଂ ସେଥିରେ ସମସ୍ତ ଘରର ସଦସ୍ୟ ରହିଥାନ୍ତି। ଘରକୁ ପସିବାର ସମୟରେ ସଂଲଗ୍ନ ଏକ ବରଝା ଯାହା ଅତିଥି ମାନଙ୍କ ମନୋରଞ୍ଜନ କରେ। ଘରର ତଳେ ମଧ୍ୟ ଘର ରହିଥାଏ। ସେମାନେ ପାଳନ କରିଥିବା ଗୁସୁରୀ ମାନଙ୍କ ପାଇଁ ଏକ ଘର ରହିଥାଏ। ଘରକୁ ଲାଗିକି ଗୁହାଳ କରିଛନ୍ତି। ସାକ୍ରାନ୍ତ ସ୍ଥାନରେ ଅଗ୍ନିସ୍ଥାନ ରହିଛି ଯାହାକୁ ମେରମ୍ କୁହାଯାଏ।

ମେରମ୍ କୁ \_\_\_\_\_ କୁହାଯାଏ ଏବଂ ଏହା ମିସିମିମିର ସ୍ମୃତ ସ୍ଥାନ ହୋଇଥାଏ।

1. ବଡ଼ ଘର
2. ଅଗ୍ନିସ୍ଥାନ
3. ଗାଁ ବାହାରେ ଥିବା ମନ୍ଦିର
4. ମୋସକ୍ୟୁ

**Options :**

485584136989. 1  
485584136990. 2  
485584136991. 3  
485584136992. 4

**Question Number : 144 Question Id : 48558434249 Question Type : MCQ Option Shuffling : No Is Question Mandatory : No Calculator : None Response Time : N.A Think Time : N.A Minimum Instruction Time : 0**

**Correct Marks : 5 Wrong Marks : 1**

**Question Key Details :**

Key	Value
Comprehension	Comp1

The Mismi built their houses on raised platform. A traditional Mismi house is built with materials like bamboo and straw. The walls are constructed with bamboo and the roof is thatched. A typical Mismi house consists of a big hall like room which accommodates all the family members. The area near the entrance acts as a portico and is used to entertain guests. Below the platform the rooms are kept. It also sometimes houses the pigs which they rear. Adjacent to their house they construct cattlesheds and coops for rearing fowls. The fire place is called as meram and is considered as a sacred place.

A big hall in a typical Misings house accomodates.

1. All the relatives of family
2. All the village members
3. All the Saints and Seers of family
4. All the family members

**Options :**

485584136993. 1  
485584136994. 2  
485584136995. 3  
485584136996. 4

**Question Number : 144 Question Id : 48558434249 Question Type : MCQ Option Shuffling : No Is Question Mandatory : No Calculator : None Response Time : N.A Think Time : N.A Minimum Instruction Time : 0**

**Correct Marks : 5 Wrong Marks : 1**

**Question Key Details :**

Key	Value
Comprehension	Comp1

ମିସିମି ମାନେ ନିଜ ଘର ଏକ ଉଚ୍ଚ ସ୍ଥାନରେ କରିଥାନ୍ତି। ଗୋଟିଏ ପାରମ୍ପରିକ ମିସିମି ଘର ବାଉଁଶ ଏବଂ ନଡ଼ାରେ ପ୍ରସ୍ତୁତ। ଘର ର କାନ୍ଥ ବାଉଁଶ ଏବଂ ଛାତ ନଡ଼ାର ଛଣରେ ତିଆରି। ଏହି ମିସିମି ଘରରେ ଗୋଟିଏ ବଡ଼ ଘର ରହିଥାଏ ଏବଂ ସେଥିରେ ସମସ୍ତ ଘରର ସଦସ୍ୟ ରହିଥାନ୍ତି। ଘରକୁ ପସିବାର ସମୟରେ ସଂଲଗ୍ନ ଏକ ବରଣା ଯାହା ଅତିଥି ମାନଙ୍କ ମନୋରଞ୍ଜନ କରେ। ଘରର ତଳେ ମଧ୍ୟ ଘର ରହିଥାଏ। ସେମାନେ ପାଳନ କରିଥିବା ଘୁଷୁରୀ ମାନଙ୍କ ପାଇଁ ଏକ ଘର ରହିଥାଏ। ଘରକୁ ଲାଗିକି ଗୁହାଳ କରିଛନ୍ତି। ସାକ୍ରାନ୍ତ ସ୍ଥାନରେ ଅବିସ୍ମାନ ରହିଛି ଯାହାକୁ ମେରମ୍ କୁହାଯାଏ।

ମିସିଙ୍ଗ ଘରେ ଥିବା ବଡ଼ ଘରରେ କେତେ ଲୋକ ରହିପାରିବେ

1. ପରିବାର ର ସବୁ ସମ୍ପର୍କୀୟ
2. ଗାଁର ଲୋକ
3. ପରିବାରର ସେଇ ଏବଂ ସ୍ତ୍ରୀ
4. ସମସ୍ତ ଘର ଲୋକ

**Options :**

485584136993. 1  
485584136994. 2  
485584136995. 3  
485584136996. 4

**Question Number : 145 Question Id : 48558434250 Question Type : MCQ Option Shuffling : No Is Question Mandatory : No Calculator : None Response Time : N.A Think Time : N.A Minimum Instruction Time : 0**

**Correct Marks : 5 Wrong Marks : 1**

**Question Key Details :**

Key	Value
Comprehension	Comp1

The Mismi built their houses on raised platform. A traditional Mismi house is built with materials like bamboo and straw. The walls are constructed with bamboo and the roof is thatched. A typical Mismi house consists of a big hall like room which accommodates all the family members. The area near the entrance acts as a portico and is used to entertain guests. Below the platform the rooms are kept. It also sometimes houses the pigs which they rear. Adjacent to their house they construct cattlesheds and coops for reaching fowls. The fire place is called as meram and is considered as a sacred place.

The area near the entrance of 'Mising house act as portico and is used to entertain.

1. Family members
2. Guests
3. Friends and villagers
4. Karta of family

**Options :**

485584136997. 1  
485584136998. 2  
485584136999. 3  
485584137000. 4

**Question Number : 145 Question Id : 48558434250 Question Type : MCQ Option Shuffling : No Is Question Mandatory : No Calculator : None Response Time : N.A Think Time : N.A Minimum Instruction Time : 0**

**Correct Marks : 5 Wrong Marks : 1**

**Question Key Details :**

Key	Value
Comprehension	Comp1

ମିସିଙ୍ଗ ମାନେ ନିଜ ଘର ଏକ ଉଚ୍ଚ ସ୍ଥାନରେ କରିଥାନ୍ତି। ଗୋଟିଏ ପାରମ୍ପରିକ ମିସିଙ୍ଗ ଘର ବାଉଁଶ ଏବଂ ନଡ଼ାରେ ପ୍ରସ୍ତୁତ। ଘର ର କାନ୍ଥ ବାଉଁଶ ଏବଂ ଛାତ ନଡ଼ାର ଛଣରେ ତିଆରି। ଏହି ମିସିଙ୍ଗ ଘରରେ ଗୋଟେ ବଡ଼ ଘର ରହିଥାଏ ଏବଂ ସେଥିରେ ସମସ୍ତ ଘରର ସଦସ୍ୟ ରହିଥାନ୍ତି। ଘରକୁ ପରିବାର ସମୟରେ ସଂଲଗ୍ନ ଏକ ବରଷା ଯାହା ଅତିଥି ମାନଙ୍କ ମନୋରଞ୍ଜନ କରେ। ଘରର ତଳେ ମଧ୍ୟ ଘର ରହିଥାଏ। ସେମାନେ ପାଳନ କରିଥିବା ଘୁଷୁରୀ ମାନଙ୍କ ପାଇଁ ଏକ ଘର ରହିଥାଏ। ଘରକୁ ଲାଗିକି ଗୁହାଳ କରିଛନ୍ତି। ସାକ୍ରାଡ଼ ସ୍ଥାନରେ ଅବିସ୍ମାନ ରହିଛି ଯାହାକୁ ମେରମ୍ କୁହାଯାଏ।

ମିସିଙ୍ଗ ଗୃହର ମୁଖ୍ୟ ଦ୍ଵାର ସହ ଏକ ବଡ଼ ପିଣ୍ଡା ରହିଥାଏ। ଏହା କାହାକୁ ମନୋରଞ୍ଜନ କରିଥାଏ।

1. ପରିବାରର ସଦସ୍ୟ
2. ଅତିଥି
3. ବନ୍ଧୁ ଏବଂ ଗାଁଲୋକ
4. ଘରର ମୁଖ୍ୟ

**Options :**

- 485584136997. 1
- 485584136998. 2
- 485584136999. 3
- 485584137000. 4

**Sub-Section Number :** 3  
**Sub-Section Id :** 4855842532  
**Question Shuffling Allowed :** No  
**Is Section Default? :** null

**Question Number : 146 Question Id : 48558434251 Question Type : MCQ Option Shuffling : No Is Question Mandatory : No Calculator : None Response Time : N.A Think Time : N.A Minimum Instruction Time : 0**

**Correct Marks : 5 Wrong Marks : 1**

**Question Key Details :**

Key	Value
Comprehension	Comp2

The French established cocoa and coffee plantations in West Africa. The British set up large tea gardens in India and Sri Lanka, rubber plantation in Malaysia, and Sugarcane and banana plantations in West Indies. Spanish and Americans invested heavily in coconut and sugarcane plantations in the Philippines. The Dutch once had monopoly over Sugarcane plantations in Indonesia. Some Coffee Fazendar (large plantation) in Brazil are still managed by Europeans. Today, ownership of the majority of plantations have passed into the hands of the government or the nationals of the countries concerned.



The British set up large \_\_\_\_\_ in India and Sri Lanka.

1. Rubber plantation
2. Sugarcane plantation
3. Banana gardens
4. Tea gardens

**Options :**

485584137001. 1  
485584137002. 2  
485584137003. 3  
485584137004. 4

**Question Number : 146 Question Id : 48558434251 Question Type : MCQ Option Shuffling : No Is Question Mandatory : No Calculator : None Response Time : N.A Think Time : N.A Minimum Instruction Time : 0**

**Correct Marks : 5 Wrong Marks : 1**

**Question Key Details :**

Key	Value
Comprehension	Comp2

ପଶ୍ଚିମ ଆଫ୍ରିକାରେ କୋକୋଆ ଓ କଫି ଚାଷ କୁ ପ୍ରେମ୍ଭ ପ୍ରତିଷ୍ଠିତ କଲା। ଭାରତରେ ପାଣ୍ଠାତ୍ୟ ଦେଶ ବୃହତ ଚା' ବଗିଚା ଭାରତରେ ଶ୍ରୀଲଙ୍କା, ମାଲେସିଆ ଓ ରବର ଚାଷ ଓ ଷ୍ଟେଟଲଣ୍ଡିଜ ର ଚିନି ଓ କଦଳୀ ଚାଷ ଅବସ୍ଥାପିତ କଲା। ସେନିସ୍ ଓ ଆମେରିକେନ୍ ନଡ଼ିଆ ଓ ଆଖୁ ଚାଷକୁ ଫିଲିପାଇନରେ ବହୁତ ପରିମାଣରେ ବିନିଯୋଗ କଲା। ଇଣ୍ଡୋନେସିଆରେ ଡ୍ରୁ ମାନେ ଆଖୁ ଚାଷ ଭପରେ ମନଇଚ୍ଛା ନିଜର ଆଧିପତ୍ୟ ରଖିଲେ। ବ୍ରାଜିଲ୍ ର କିଛି ବୃହତ କଫି ଚାଷ ଯୁରୋପିନ୍ ମାନଙ୍କ ଦ୍ଵାରା ପରିଚାଳିତ ହେଲା।

ବର୍ତ୍ତମାନ ପ୍ରାୟତଃ ସମସ୍ତ ଚାଷ ମାନଙ୍କର ମାଲିକାନା ଜାତୀୟ ସରକାରଙ୍କ ଅଧୀନକୁ ଚାଲି ଯାଇଛି।

ଭାରତ ଓ ଶ୍ରୀଲଙ୍କାରେ ବ୍ରିଟିଶମାନେ ବୃହତ \_\_\_\_\_ ଅବସ୍ଥାପିତ କଲେ।

1. Rubber plantation
2. Sugarcane plantation
3. Banana gardens
4. Tea gardens

**Options :**

485584137001. 1  
485584137002. 2  
485584137003. 3  
485584137004. 4

**Question Number : 147 Question Id : 48558434252 Question Type : MCQ Option Shuffling : No Is Question Mandatory : No Calculator : None Response Time : N.A Think Time : N.A Minimum Instruction Time : 0**

**Correct Marks : 5 Wrong Marks : 1**

**Question Key Details :**

Key	Value
Comprehension	Comp2

The French established cocoa and coffee plantations in West Africa. The British set up large tea gardens in India and Sri Lanka, rubber plantation in Malaysia, and Sugarcane and banana plantations in West Indies. Spanish and Americans invested heavily in coconut and sugarcane plantations in the Philippines. The Dutch once had monopoly over Sugarcane plantations in Indonesia. Some Coffee Fazendar (large plantation) in Brazil are still managed by Europeans. Today, ownership of the majority of plantations have passed into the hands of the government or the nationals of the countries concerned.

\_\_\_\_\_ once had monopoly over Sugarcane plantation in Indonesia.

1. French
2. Malaysia
3. Philippines
4. Dutch

**Options :**

485584137005. 1  
485584137006. 2  
485584137007. 3  
485584137008. 4

**Question Number : 147 Question Id : 48558434252 Question Type : MCQ Option Shuffling : No Is Question Mandatory : No Calculator : None Response Time : N.A Think Time : N.A Minimum Instruction Time : 0**

**Correct Marks : 5 Wrong Marks : 1**

**Question Key Details :**

Key	Value
Comprehension	Comp2

ପଶ୍ଚିମ ଆଫ୍ରିକାରେ କୋକୋଆ ଓ କଫି ଚାଷ କୁ ଫ୍ରେଞ୍ଚ ପ୍ରତିଷ୍ଠିତ କଲା। ଭାରତରେ ପାଣ୍ଡାଚ୍ୟ ଦେଶ ବୃହତ ଚା' ବଗିଚା ଭାରତରେ ଶ୍ରୀଲଙ୍କା, ମାଲେସିଆ ର ରବର ଚାଷ ଓ ଷ୍ଟେଟ୍‌ଲଣ୍ଡିଜ ର ଚିନି ଓ କଦଳୀ ଚାଷ ଅବସ୍ଥାପିତ କଲା। ସ୍ପେନ୍‌ସ୍ ଓ ଆମେରିକେନ୍ ନଡିଆ ଓ ଆଖୁ ଚାଷକୁ ଫିଲିପାଇନରେ ବହୁତ ପରିମାଣରେ ବିନିଯୋଗ କଲା। ଇଣ୍ଡୋନେସିଆରେ ଡଚ୍ ମାନେ ଆଖୁ ଚାଷ ଉପରେ ମନଇଚ୍ଛା ନିଜର ଆଧିପତ୍ୟ ରଖିଲେ। ବ୍ରାଜିଲ୍ ର କିଛି ବୃହତ କଫି ଚାଷ ୟୁରୋପିନ୍ ମାନଙ୍କ ଦ୍ଵାରା ପରିଚାଳିତ ହେଲା।

ବର୍ତ୍ତମାନ ପ୍ରାୟତଃ ସମସ୍ତ ଚାଷ ମାନଙ୍କର ମାଲିକାନା ଜାତୀୟ ସରକାରଙ୍କ ଅଧୀନକୁ ଚାଲି ଯାଇଛି।

ଆଖୁଚାଷ ଉପରେ \_\_\_\_\_ ମନଇଚ୍ଛା ଆଧିପତ୍ୟ ବିସ୍ତାର କରିଥିଲେ।

1. French
2. Malaysia
3. Philippines
4. Dutch

**Options :**

- 485584137005. 1
- 485584137006. 2
- 485584137007. 3
- 485584137008. 4

**Question Number : 148 Question Id : 48558434253 Question Type : MCQ Option Shuffling : No Is Question Mandatory : No Calculator : None Response Time : N.A Think Time : N.A Minimum Instruction Time : 0**

**Correct Marks : 5 Wrong Marks : 1**

**Question Key Details :**

Key	Value
Comprehension	Comp2

The French established cocoa and coffee plantations in West Africa. The British set up large tea gardens in India and Sri Lanka, rubber plantation in Malaysia, and Sugarcane and banana plantations in West Indies. Spanish and Americans invested heavily in coconut and sugarcane plantations in the Philippines. The Dutch once had monopoly over Sugarcane plantations in Indonesia. Some Coffee Fazendar (large plantation) in Brazil are still managed by Europeans. Today, ownership of the majority of plantations have passed into the hands of the government or the nationals of the countries concerned.

The French established Cocoa and Coffee plantations in.

- 1. East Africa
- 2. West Africa
- 3. East America
- 4. South America

**Options :**

- 485584137009. 1
- 485584137010. 2
- 485584137011. 3
- 485584137012. 4

**Question Number : 148 Question Id : 48558434253 Question Type : MCQ Option Shuffling : No Is Question Mandatory : No Calculator : None Response Time : N.A Think Time : N.A Minimum Instruction Time : 0**

**Correct Marks : 5 Wrong Marks : 1**

**Question Key Details :**

Key	Value
Comprehension	Comp2

ପଶ୍ଚିମ ଆଫ୍ରିକାରେ କୋକୋଆ ଓ କଫି ଚାଷ କୁ ଫ୍ରେଞ୍ଚ ପ୍ରତିଷ୍ଠିତ କଲା। ଭାରତରେ ପାଣ୍ଠାତ୍ୟ ଦେଶ ବୃହତ ଚା' ବଗିଚା ଭାରତରେ ଶ୍ରୀଲଙ୍କା, ମାଲେସିଆ ଓ ରବର ଚାଷ ଓ ଖେଷ୍ଟିକଣ୍ଡିକ ର ଚିନି ଓ କଦଳୀ ଚାଷ ଅବସ୍ଥାପିତ କଲା। ସ୍ପେନ୍ ଓ ଆମେରିକେନ୍ ନଡ଼ିଆ ଓ ଆଖୁ ଚାଷକୁ ଫିଲିପାଇନରେ ବହୁତ ପରିମାଣରେ ବିନିଯୋଗ କଲା। ଇଣ୍ଡୋନେସିଆରେ ଡଚ୍ ମାନେ ଆଖୁ ଚାଷ ଉପରେ ମନଇଚ୍ଛା ନିଜର ଆଧିପତ୍ୟ ରଖିଲେ। ବ୍ରାଜିଲ୍ ର କିଛି ବୃହତ କଫି ଚାଷ ୟୁରୋପିନ୍ ମାନଙ୍କ ଦ୍ଵାରା ପରିଚାଳିତ ହେଲା।

ବର୍ତ୍ତମାନ ପ୍ରାୟତଃ ସମସ୍ତ ଚାଷ ମାନଙ୍କର ମାଲିକାନା ଜାତୀୟ ସରକାରଙ୍କ ଅଧୀନକୁ ଚାଲି ଯାଇଛି।

ଫ୍ରେଞ୍ଚମାନେ କୋକୋ ଆଉ କଫି ଚାଷ କେଉଁଠି କରିଥିଲେ।

1. East Africa
2. West Africa
3. East America
4. South America

**Options :**

485584137009. 1  
 485584137010. 2  
 485584137011. 3  
 485584137012. 4

**Question Number : 149 Question Id : 48558434254 Question Type : MCQ Option Shuffling : No Is Question Mandatory : No Calculator : None Response Time : N.A Think Time : N.A Minimum Instruction Time : 0**

**Correct Marks : 5 Wrong Marks : 1**

**Question Key Details :**

Key	Value
Comprehension	Comp2

The French established cocoa and coffee plantations in West Africa. The British set up large tea gardens in India and Sri Lanka, rubber plantation in Malaysia, and Sugarcane and banana plantations in West Indies. Spanish and Americans invested heavily in coconut and sugarcane plantations in the Philippines. The Dutch once had monopoly over Sugarcane plantations in Indonesia. Some Coffee Fazendar (large plantation) in Brazil are still managed by Europeans. Today, ownership of the majority of plantations have passed into the hands of the government or the nationals of the countries concerned.

The British set up large sugarcane and banana plantations in.

1. India and Sri Lanka
2. Indonesia
3. West Indies
4. Spain

**Options :**

485584137013. 1

485584137014. 2  
485584137015. 3  
485584137016. 4

**Question Number : 149 Question Id : 48558434254 Question Type : MCQ Option Shuffling : No Is Question Mandatory : No Calculator : None Response Time : N.A Think Time : N.A Minimum Instruction Time : 0**

**Correct Marks : 5 Wrong Marks : 1**

**Question Key Details :**

Key	Value
Comprehension	Comp2

ପଶ୍ଚିମ ଆଫ୍ରିକାରେ କୋକୋଆ ଓ କଫି ଚାଷ କୁ ପ୍ରେମ୍ଭ ପ୍ରତିଷ୍ଠିତ କଲା। ଭାରତରେ ପାଣ୍ଠାତ୍ୟ ଦେଶ ବୃହତ ଚା' ବଗିଚା ଭାରତରେ ଶ୍ରୀଲଙ୍କା, ମାଲେସିଆ ର ରବର ଚାଷ ଓ ଷ୍ଟେଷ୍ଟଲଣ୍ଡିଜ ର ଚିନି ଓ କଦଳୀ ଚାଷ ଅବସ୍ଥାପିତ କଲା। ସେନିସ୍ ଓ ଆମେରିକେନ୍ ନଡ଼ିଆ ଓ ଆଖୁ ଚାଷକୁ ଫିଲିପାଇନରେ ବହୁତ ପରିମାଣରେ ବିନିଯୋଗ କଲା। ଇଣ୍ଡୋନେସିଆରେ ଡଚ୍ ମାନେ ଆଖୁ ଚାଷ ଉପରେ ମନଇଚ୍ଛା ନିଜର ଆଧିପତ୍ୟ ରଖିଲେ। ବ୍ରାଜିଲ୍ ର କିଛି ବୃହତ କଫି ଚାଷ ଯୁରୋପିନ୍ ମାନଙ୍କ ଦ୍ଵାରା ପରିଚାଳିତ ହେଲା।

ବର୍ତ୍ତମାନ ପ୍ରାୟତଃ ସମସ୍ତ ଚାଷ ମାନଙ୍କର ମାଲିକାନା ଜାତୀୟ ସରକାରଙ୍କ ଅଧୀନକୁ ଚାଲି ଯାଇଛି।

ଦ୍ଵିତୀୟ କେଉଁଠାରେ ବହୁତ ପରିମାଣରେ ଆଖୁ ଏବଂ କଦଳୀ ଚାଷ କରିଥିଲେ।

1. India and Sri Lanka
2. Indonesia
3. West Indies
4. Spain

**Options :**

485584137013. 1  
485584137014. 2  
485584137015. 3  
485584137016. 4

**Question Number : 150 Question Id : 48558434255 Question Type : MCQ Option Shuffling : No Is Question Mandatory : No Calculator : None Response Time : N.A Think Time : N.A Minimum Instruction Time : 0**

**Correct Marks : 5 Wrong Marks : 1**

**Question Key Details :**

Key	Value
Comprehension	Comp2

The French established cocoa and coffee plantations in West Africa. The British set up large tea gardens in India and Sri Lanka, rubber plantation in Malaysia, and Sugarcane and banana plantations in West Indies. Spanish and Americans invested heavily in coconut and sugarcane plantations in the Philippines. The Dutch once had monopoly over Sugarcane plantations in Indonesia. Some Coffee Fazendar (large plantation) in Brazil are still managed by Europeans. Today, ownership of the majority of plantations have passed into the hands of the government or the nationals of the countries concerned.

Spanish and Americans invested heavily in \_\_\_\_\_ the Philippines.

- A. Banana plantation
- B. Rubber plantation
- C. Coconut plantation
- D. Sugarcane plantation
- E. Tea garden

Choose the correct answer from the options given below:

- 1. A and B only
- 2. B and D only
- 3. C and D only
- 4. D and E only

**Options :**

- 485584137017. 1
- 485584137018. 2
- 485584137019. 3
- 485584137020. 4

**Question Number : 150 Question Id : 48558434255 Question Type : MCQ Option Shuffling : No Is Question Mandatory : No Calculator : None Response Time : N.A Think Time : N.A Minimum Instruction Time : 0**

**Correct Marks : 5 Wrong Marks : 1**

**Question Key Details :**

Key	Value
Comprehension	Comp2

ପଶ୍ଚିମ ଆଫ୍ରିକାରେ କୋକୋଆ ଓ କଫି ଚାଷ କୁ ପ୍ରେମ୍ଭ ପ୍ରତିଷ୍ଠିତ କଲା। ଭାରତରେ ପାଣ୍ଠାତ୍ୟ ଦେଶ ବୃହତ ଚା' ବଗିଚା ଭାରତରେ ଶ୍ରୀଲଙ୍କା, ମାଲେସିଆ ଓ ରବର ଚାଷ ଓ ଷ୍ଟେଟ୍ସଲଣ୍ଡିଜ ର ଚିନି ଓ କଦଳୀ ଚାଷ ଅବସ୍ଥାପିତ କଲା। ସ୍ୱେନିସ୍ ଓ ଆମେରିକେନ୍ ନଡ଼ିଆ ଓ ଆଖୁ ଚାଷକୁ ଫିଲିପାଇନରେ ବହୁତ ପରିମାଣରେ ବିନିଯୋଗ କଲା। ଇଣ୍ଡୋନେସିଆରେ ଡଚ୍ ମାନେ ଆଖୁ ଚାଷ ଉପରେ ମନଜଛା ନିଜର ଆଧିପତ୍ୟ ରଖିଲେ। ବ୍ରାଜିଲ୍ ର କିଛି ବୃହତ କଫି ଚାଷ ୟୁରୋପିନ୍ ମାନଙ୍କ ଦ୍ୱାରା ପରିଚାଳିତ ହେଲା।

ବର୍ତ୍ତମାନ ପ୍ରାୟତଃ ସମସ୍ତ ଚାଷ ମାନଙ୍କର ମାଲିକାନା ଜାତୀୟ ସରକାରଙ୍କ ଅଧୀନକୁ ଚାଲି ଯାଇଛି।

ସ୍ନେହନିଧି ଏବଂ ଆମେରିକା \_\_\_\_\_ ଫିଲିପାଇନସ୍ ରେ ପୁଞ୍ଜି ନିବେଶ କରିଥିଲେ।

- A. କବଳୀ ଚାଷ
- B. ରବର ଚାଷ
- C. ନଡ଼ିଆ ଚାଷ
- D. ଆଖୁ ଚାଷ
- E. ଚା' ଚାଷ

ଯଥାର୍ଥ ଭାବରେ ବାଛି ଲେଖ

1. କେବଳ A ଏବଂ B
2. କେବଳ B ଏବଂ D
3. କେବଳ C ଏବଂ D
4. କେବଳ D ଏବଂ E

**Options :**

- 485584137017. 1
- 485584137018. 2
- 485584137019. 3
- 485584137020. 4

## Engineering Graphics

<b>Group Number :</b>	8
<b>Group Id :</b>	485584775
<b>Group Maximum Duration :</b>	45
<b>Group Minimum Duration :</b>	45
<b>Show Attended Group? :</b>	No
<b>Edit Attended Group? :</b>	No
<b>Break time :</b>	0
<b>Group Marks :</b>	200
<b>Is this Group for Examiner? :</b>	No
<b>Examiner permission :</b>	Cant View
<b>Show Progress Bar? :</b>	No

## Engineering Graphics

<b>Section Id :</b>	485584893
<b>Section Number :</b>	1
<b>Section type :</b>	Online
<b>Mandatory or Optional :</b>	Mandatory
<b>Number of Questions :</b>	50
<b>Number of Questions to be attempted :</b>	40
<b>Section Marks :</b>	200
<b>Enable Mark as Answered Mark for Review and Clear Response :</b>	Yes

Maximum Instruction Time : 0  
Sub-Section Number : 1  
Sub-Section Id : 4855842533  
Question Shuffling Allowed : Yes  
Is Section Default? : null

Question Number : 151 Question Id : 48558434606 Question Type : MCQ Option Shuffling : No Is Question Mandatory : No Calculator : None Response Time : N.A Think Time : N.A Minimum Instruction Time : 0

Correct Marks : 5 Wrong Marks : 1

Question Key Details :

Key	Value
Comprehension	MCQ

The view that gives inside details of an object is \_\_\_\_\_.

1. top view
2. front view
3. detailed view
4. sectional view

Options :

485584138421. 1  
485584138422. 2  
485584138423. 3  
485584138424. 4

Question Number : 151 Question Id : 48558434606 Question Type : MCQ Option Shuffling : No Is Question Mandatory : No Calculator : None Response Time : N.A Think Time : N.A Minimum Instruction Time : 0

Correct Marks : 5 Wrong Marks : 1

Question Key Details :

Key	Value
Comprehension	MCQ

ବସ୍ତୁର ଆଭ୍ୟନ୍ତରୀଣ ବିନରଣୀ ପ୍ରଦାନ କରୁଥିବା ଭୂୟ ହେଲା:

1. ଟପ ଭୂୟ
2. ସମ୍ମୁଖ ଭୂୟ
3. ଡିଟେଲଡ ଭୂୟ
4. ସେକ୍ସନାଲ (ବିଭାଗସ୍ଥ) ଭୂୟ

Options :

485584138421. 1  
485584138422. 2  
485584138423. 3  
485584138424. 4



Question Number : 152 Question Id : 48558434607 Question Type : MCQ Option Shuffling : No Is Question Mandatory : No Calculator : None Response Time : N.A Think Time : N.A Minimum Instruction Time : 0

Correct Marks : 5 Wrong Marks : 1

Question Key Details :

Key	Value
Comprehension	MCQ

In Perspective projection, object appears to converge at a point, called \_\_\_\_\_.

1. enlarged point
2. vanishing point
3. dimensional point
4. horizontal plane

Options :

485584138425. 1

485584138426. 2

485584138427. 3

485584138428. 4

Question Number : 152 Question Id : 48558434607 Question Type : MCQ Option Shuffling : No Is Question Mandatory : No Calculator : None Response Time : N.A Think Time : N.A Minimum Instruction Time : 0

Correct Marks : 5 Wrong Marks : 1

Question Key Details :

Key	Value
Comprehension	MCQ

ପ୍ରୋସପେକ୍ଟିଭ୍ ଭୂମରେ ବସ୍ତୁ ଏକ ବିନ୍ଦୁରେ, ମିଳିଲା ପରି ପ୍ରତିତ ହୁଏ, ତାହା:

1. ଏନଲାରଜ (ପରିବର୍ଦ୍ଧିତ) ବିନ୍ଦୁ
2. ଭାନିସିଂ (ଲୋପ) ବିନ୍ଦୁ
3. ଡାଇମେନସନାଲ ବିନ୍ଦୁ
4. କ୍ଷିତିଜ ତଳ

Options :

485584138425. 1

485584138426. 2

485584138427. 3

485584138428. 4

Question Number : 153 Question Id : 48558434608 Question Type : MCQ Option Shuffling : No Is Question Mandatory : No Calculator : None Response Time : N.A Think Time : N.A Minimum Instruction Time : 0

Correct Marks : 5 Wrong Marks : 1

Question Key Details :

Key	Value
Comprehension	MCQ

A solid having two bases and rectangular faces is \_\_\_\_\_.

1. Pyramid
2. Sphere
3. Prism
4. Cylinder

**Options :**

485584138429. 1  
485584138430. 2  
485584138431. 3  
485584138432. 4

**Question Number : 153 Question Id : 48558434608 Question Type : MCQ Option Shuffling : No Is Question Mandatory : No Calculator : None Response Time : N.A Think Time : N.A Minimum Instruction Time : 0**

**Correct Marks : 5 Wrong Marks : 1**

**Question Key Details :**

Key	Value
Comprehension	MCQ

କଠିନ ଯାହାର ଦୁଇଟି ବେସ ଏବଂ ଆୟତକାର ମୁହଁ ରହିଛି \_\_\_\_\_ ଅଟେ ।

1. ପିରାମିଡ
2. ଗୋଲକ
3. ପ୍ରିଜମ
4. ସିଲିଣ୍ଡର

**Options :**

485584138429. 1  
485584138430. 2  
485584138431. 3  
485584138432. 4

**Question Number : 154 Question Id : 48558434609 Question Type : MCQ Option Shuffling : No Is Question Mandatory : No Calculator : None Response Time : N.A Think Time : N.A Minimum Instruction Time : 0**

**Correct Marks : 5 Wrong Marks : 1**

**Question Key Details :**

Key	Value
Comprehension	MCQ

The isometric projection of an object is \_\_\_\_\_ view projection.

1. double
2. single
3. multiple
4. triple

**Options :**

485584138433. 1  
485584138434. 2  
485584138435. 3  
485584138436. 4

**Question Number : 154 Question Id : 48558434609 Question Type : MCQ Option Shuffling : No Is Question Mandatory : No Calculator : None Response Time : N.A Think Time : N.A Minimum Instruction Time : 0**

**Correct Marks : 5 Wrong Marks : 1**

**Question Key Details :**

Key	Value
Comprehension	MCQ

ବସ୍ତୁରେ ଆଇସୋମେଟ୍ରିକ ପ୍ରୋଜେକ୍ସନ୍ \_\_\_\_\_ ରୂପ ପ୍ରୋଜେକ୍ସନ୍ ଅଟେ ।

1. ଡବଲ୍ (ଦ୍ୱିଗୁଣ)
2. ସିଙ୍ଗଲ୍ (ଏକକ)
3. ମଲଟିପଲ୍ (ବହୁଗୁଣ)
4. ଟ୍ରିପଲ୍ (ତିନି ଗୁଣ)

**Options :**

485584138433. 1  
485584138434. 2  
485584138435. 3  
485584138436. 4

**Question Number : 155 Question Id : 48558434610 Question Type : MCQ Option Shuffling : No Is Question Mandatory : No Calculator : None Response Time : N.A Think Time : N.A Minimum Instruction Time : 0**

**Correct Marks : 5 Wrong Marks : 1**

**Question Key Details :**

Key	Value
Comprehension	MCQ

The isometric scale is used to obtain the \_\_\_\_\_ of the edges of any object to draw its isometric projection.

1. foreshortened length
2. enlarged length
3. true length
4. double length

**Options :**

- 485584138437. 1
- 485584138438. 2
- 485584138439. 3
- 485584138440. 4

**Question Number : 155 Question Id : 48558434610 Question Type : MCQ Option Shuffling : No Is Question Mandatory : No Calculator : None Response Time : N.A Think Time : N.A Minimum Instruction Time : 0**

**Correct Marks : 5 Wrong Marks : 1**

**Question Key Details :**

Key	Value
Comprehension	MCQ

ଆଇସୋମେଟ୍ରିକ ସ୍କେଲ ବସ୍ତୁ ତାଲମେନସନର \_\_\_\_\_ ଚାଣିବା ପାଇଁ ଆଇସୋମେଟ୍ରିକ ପ୍ରୋଜେକ୍ସନରେ ବ୍ୟବହୃତ ହୁଏ ।

1. ଫୋରସର୍ଟେନ୍ଡ୍ ଦୈର୍ଘ୍ୟ
2. ଏନଲାର୍ଜଡ୍ ଦୈର୍ଘ୍ୟ
3. ପ୍ରକୃତ
4. ପୁଣି-ରୂପ ଦୈର୍ଘ୍ୟ

**Options :**

- 485584138437. 1
- 485584138438. 2
- 485584138439. 3
- 485584138440. 4

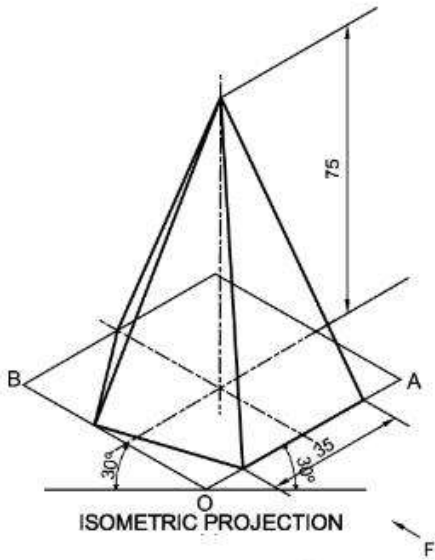
**Question Number : 156 Question Id : 48558434611 Question Type : MCQ Option Shuffling : No Is Question Mandatory : No Calculator : None Response Time : N.A Think Time : N.A Minimum Instruction Time : 0**

**Correct Marks : 5 Wrong Marks : 1**

**Question Key Details :**

Key	Value
Comprehension	MCQ

Choose the **correct** option as per the given figure:



1. A hexagonal prism is resting on H.P. on its base.
2. A pentagonal prism is resting on H.P. on its base.
3. A pentagonal pyramid is resting on H.P. on its apex.
4. A pentagonal pyramid is resting on H.P. on its base.

**Options :**

- 485584138441. 1
- 485584138442. 2
- 485584138443. 3
- 485584138444. 4

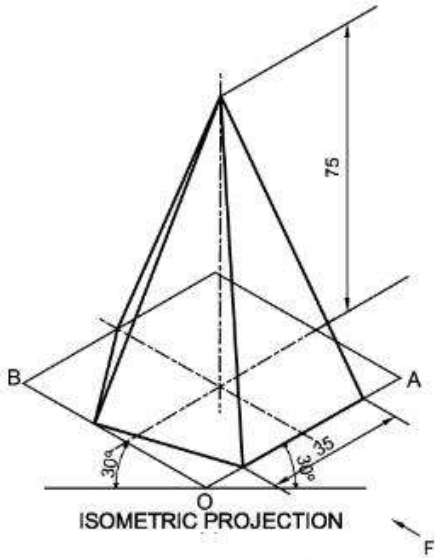
**Question Number : 156 Question Id : 48558434611 Question Type : MCQ Option Shuffling : No Is Question Mandatory : No Calculator : None Response Time : N.A Think Time : N.A Minimum Instruction Time : 0**

**Correct Marks : 5 Wrong Marks : 1**

**Question Key Details :**

Key	Value
Comprehension	MCQ

ଚିତ୍ରରୁ ସଠିକ କଥନ ଚୟନ କର ।



1. ଏକ ଷଡ଼ଭୁଜ ପ୍ରିଜିମର HP ଉପରେ ଦେଖି ଦେଖି ଛିଡ଼
2. ଏକ ପଞ୍ଚଭୁଜ ପ୍ରିଜିମର HP ଉପରେ ଦେଖି ଦେଖି ଛିଡ଼
3. ଏକ ପଞ୍ଚମୁଖ୍ ପ୍ରିଜିମର HP ଉପରେ ଆପେକ୍ଷ ଦେଖି ଛିଡ଼
4. ଏକ ପଞ୍ଚମୁଖ୍ ପ୍ରିଜିମର HP ଉପରେ ଦେଖି ଦେଖି ଛିଡ଼

Options :

- 485584138441. 1
- 485584138442. 2
- 485584138443. 3
- 485584138444. 4

Question Number : 157 Question Id : 48558434612 Question Type : MCQ Option Shuffling : No Is Question Mandatory : No Calculator : None Response Time : N.A Think Time : N.A Minimum Instruction Time : 0

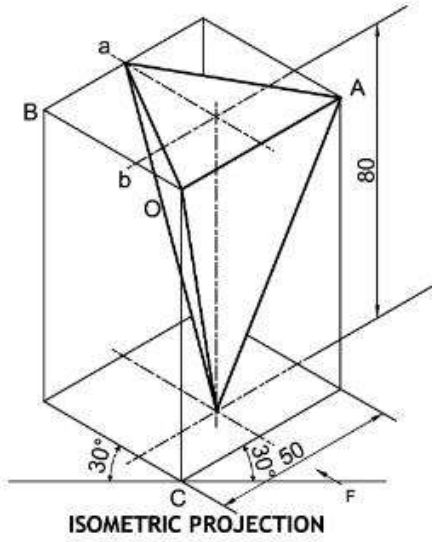
Correct Marks : 5 Wrong Marks : 1

Question Key Details :

Key	Value
Comprehension	MCQ



ସଠିକ କଥନ ହେଲା:



1. ଏହାର ବେସ ସାଇତଟି V.P. ଠାରୁ ଲମ୍ବବତ ।
2. ଏହାର ବେସ ସାଇତଟି V.P. ସହ ସମାନ୍ତର ଏବଂ ନିରକ୍ଷକ ଠାରୁ ଦୂରରେ
3. ଏହାର ବେସ ଡାଇଡ V.P. ସହ ସମାନ୍ତର ଏବଂ ନିରକ୍ଷକ ଆଡକୁ
4. ଏହାର ଏକ ବେସ ସାଇତ H.P. ଠାରୁ ଲମ୍ବବତ

**Options :**

- 485584138445. 1
- 485584138446. 2
- 485584138447. 3
- 485584138448. 4

**Question Number : 158 Question Id : 48558434613 Question Type : MCQ Option Shuffling : No Is Question Mandatory : No Calculator : None Response Time : N.A Think Time : N.A Minimum Instruction Time : 0**

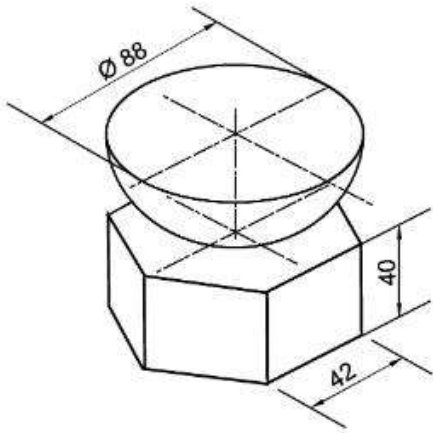
**Correct Marks : 5 Wrong Marks : 1**

**Question Key Details :**

Key	Value
Comprehension	MCQ



Choose the **correct** option as per the given figure:



1. A hemisphere is resting on a hexagonal pyramid.
2. A hemisphere is resting on a hexagonal prism.
3. A sphere is resting on a pentagonal pyramid.
4. A sphere is resting on a hexagonal prism.

**Options :**

- 485584138449. 1
- 485584138450. 2
- 485584138451. 3
- 485584138452. 4

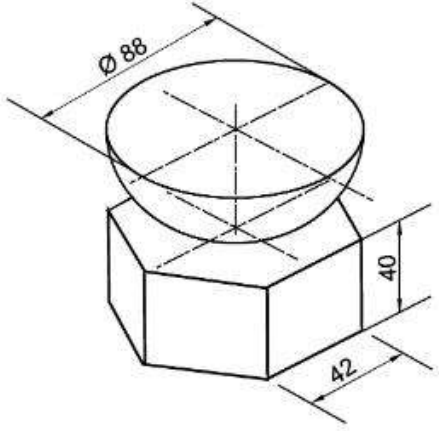
**Question Number : 158 Question Id : 48558434613 Question Type : MCQ Option Shuffling : No Is Question Mandatory : No Calculator : None Response Time : N.A Think Time : N.A Minimum Instruction Time : 0**

**Correct Marks : 5 Wrong Marks : 1**

**Question Key Details :**

Key	Value
Comprehension	MCQ

ସଠିକ କଥନ ଚୟନ କର ।



1. ଷଡ଼ଭୁଜ ପିରାମିଡ ଉପରେ ଅର୍ଦ୍ଧ ଗୋଲକ ରହିଛି
2. ଷଡ଼ଭୁଜ ପ୍ରିଜମ ଉପରେ ଅର୍ଦ୍ଧ ଗୋଲକ ରହିଛି
3. ଷଡ଼ଭୁଜ ପିରାମିଡ ଉପରେ ଗୋଲକ ରହିଛି
4. ଷଡ଼ଭୁଜ ପ୍ରିଜମ ଉପରେ ଗୋଲକ ରହିଛି

**Options :**

485584138449. 1  
485584138450. 2  
485584138451. 3  
485584138452. 4

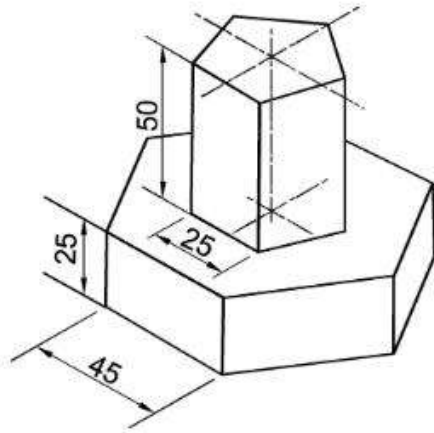
**Question Number : 159 Question Id : 48558434614 Question Type : MCQ Option Shuffling : No Is Question Mandatory : No Calculator : None Response Time : N.A Think Time : N.A Minimum Instruction Time : 0**

**Correct Marks : 5 Wrong Marks : 1**

**Question Key Details :**

Key	Value
Comprehension	MCQ

How many rectangular faces are there in the given figure:



1. 9
2. 10
3. 11
4. 12

**Options :**

- 485584138453. 1
- 485584138454. 2
- 485584138455. 3
- 485584138456. 4

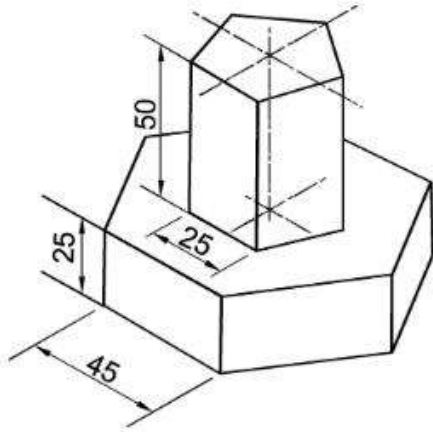
**Question Number : 159 Question Id : 48558434614 Question Type : MCQ Option Shuffling : No Is Question Mandatory : No Calculator : None Response Time : N.A Think Time : N.A Minimum Instruction Time : 0**

**Correct Marks : 5 Wrong Marks : 1**

**Question Key Details :**

Key	Value
Comprehension	MCQ

ଚିତ୍ରରେ କେତୋଟି ଆୟତାକାର ମୁଖ ରହିଛି?



1. 9
2. 10
3. 11
4. 12

**Options :**

- 485584138453. 1
- 485584138454. 2
- 485584138455. 3
- 485584138456. 4

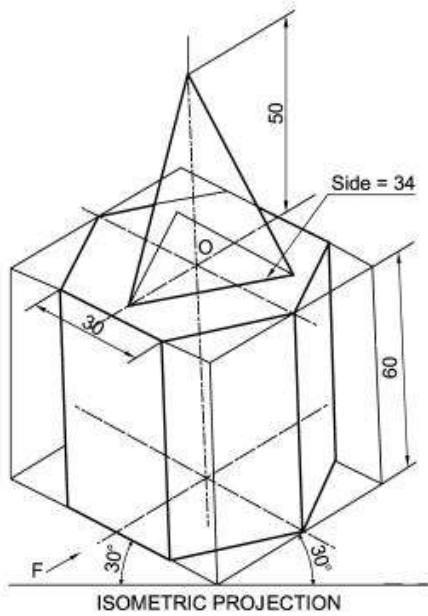
**Question Number : 160 Question Id : 48558434615 Question Type : MCQ Option Shuffling : No Is Question Mandatory : No Calculator : None Response Time : N.A Think Time : N.A Minimum Instruction Time : 0**

**Correct Marks : 5 Wrong Marks : 1**

**Question Key Details :**

Key	Value
Comprehension	MCQ

Choose the **correct** option as per the given figure:



1. Axial height of isometric projection of combination of solids is 88 mm.
2. Axial height of isometric projection of combination of solids is 110 mm.
3. Axial height of isometric projection of combination of solids is 60 mm.
4. Axial height of isometric projection of combination of solids is 50 mm.

**Options :**

- 485584138457. 1
- 485584138458. 2
- 485584138459. 3
- 485584138460. 4

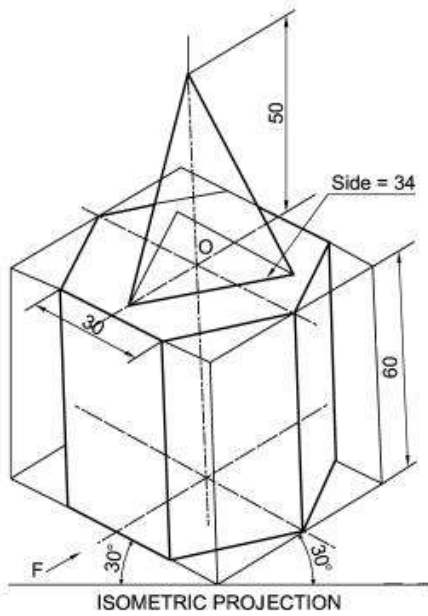
**Question Number : 160 Question Id : 48558434615 Question Type : MCQ Option Shuffling : No Is Question Mandatory : No Calculator : None Response Time : N.A Think Time : N.A Minimum Instruction Time : 0**

**Correct Marks : 5 Wrong Marks : 1**

**Question Key Details :**

Key	Value
Comprehension	MCQ

ସଲିଡ ବିନ୍ୟାଶରେ ଆଇସୋମେଟ୍ରିକ ପ୍ରୋଜେକ୍ସନରୁ ସଠିକ ଉତ୍ତର ବାଛିନ୍ତୁ ।



1. ସଲିଡ ବିନ୍ୟାଶ ଆଇସୋମେଟ୍ରିକ ପ୍ରୋଜେକ୍ସନର ଅକ୍ସିୟ ଉଚ୍ଚତା 88 mm
2. ସଲିଡ ବିନ୍ୟାଶ ଆଇସୋମେଟ୍ରିକ ପ୍ରୋଜେକ୍ସନର ଅକ୍ସିୟ ଉଚ୍ଚତା 110 mm
3. ସଲିଡ ବିନ୍ୟାଶ ଆଇସୋମେଟ୍ରିକ ପ୍ରୋଜେକ୍ସନର ଅକ୍ସିୟ ଉଚ୍ଚତା 60 mm
4. ସଲିଡ ବିନ୍ୟାଶ ଆଇସୋମେଟ୍ରିକ ପ୍ରୋଜେକ୍ସନର ଅକ୍ସିୟ ଉଚ୍ଚତା 50 mm

**Options :**

- 485584138457. 1
- 485584138458. 2
- 485584138459. 3
- 485584138460. 4

**Question Number : 161 Question Id : 48558434616 Question Type : MCQ Option Shuffling : No Is Question Mandatory : No Calculator : None Response Time : N.A Think Time : N.A Minimum Instruction Time : 0**

**Correct Marks : 5 Wrong Marks : 1**

**Question Key Details :**

Key	Value
Comprehension	MCQ

In a Screw thread, theoretical depth (D) of the thread will be equal to \_\_\_\_\_.

1. (Major Diameter) – (Minor Diameter)
2.  $\frac{\{(Major\ Diameter) - (Minor\ Diameter)\}}{2}$
3.  $2 \times \{(Major\ Diameter) - (Minor\ Diameter)\}$
4. (Major Diameter) + (Minor Diameter)

**Options :**

485584138461. 1  
485584138462. 2  
485584138463. 3  
485584138464. 4

**Question Number : 161 Question Id : 48558434616 Question Type : MCQ Option Shuffling : No Is Question Mandatory : No Calculator : None Response Time : N.A Think Time : N.A Minimum Instruction Time : 0**

**Correct Marks : 5 Wrong Marks : 1**

**Question Key Details :**

Key	Value
Comprehension	MCQ

ସ୍କ୍ରୁ ଥ୍ରେଡରେ, ଥ୍ରେଡ ଗଭୀରତା ତଥ୍ୟାୟକ ରୂପେ ସମାନ ହେବ:

1. (ମେଜର ବ୍ୟାସ) – (ମାଇନର ବ୍ୟାସ)
2.  $\frac{\{(ମେଜର ବ୍ୟାସ) - (ମାଇନର ବ୍ୟାସ)\}}{2}$
3.  $2 \times \{(ମେଜର ବ୍ୟାସ) - (ମାଇନର ବ୍ୟାସ)\}$
4. (ମେଜର ବ୍ୟାସ) + (ମାଇନର ବ୍ୟାସ)

**Options :**

485584138461. 1  
485584138462. 2  
485584138463. 3  
485584138464. 4

**Question Number : 162 Question Id : 48558434617 Question Type : MCQ Option Shuffling : No Is Question Mandatory : No Calculator : None Response Time : N.A Think Time : N.A Minimum Instruction Time : 0**

**Correct Marks : 5 Wrong Marks : 1**

**Question Key Details :**

Key	Value
Comprehension	MCQ

If pitch is 'P' in B.S.W. thread, then the value of 'd' (d= Actual Depth) will be \_\_\_\_\_.

1. 0.96P
2. 0.64P
3. 0.51P
4. 0.86P

**Options :**

485584138465. 1  
485584138466. 2  
485584138467. 3  
485584138468. 4

**Question Number : 162 Question Id : 48558434617 Question Type : MCQ Option Shuffling : No Is Question Mandatory : No Calculator : None Response Time : N.A Think Time : N.A Minimum Instruction Time : 0**

**Correct Marks : 5 Wrong Marks : 1**

**Question Key Details :**

Key	Value
Comprehension	MCQ

BSW ପିଚ ('P') 50 mm ହେଲେ, 'd' (d= ପ୍ରକୃତ ଗଭୀରତା)ର ମୂଲ୍ୟ ହେବ:

1. 0.96P
2. 0.64P
3. 0.51P
4. 0.86P

**Options :**

485584138465. 1  
485584138466. 2  
485584138467. 3  
485584138468. 4

**Question Number : 163 Question Id : 48558434618 Question Type : MCQ Option Shuffling : No Is Question Mandatory : No Calculator : None Response Time : N.A Think Time : N.A Minimum Instruction Time : 0**

**Correct Marks : 5 Wrong Marks : 1**

**Question Key Details :**

Key	Value
Comprehension	MCQ



Thread profile on an electric bulb:

1. Metric internal thread
2. Square thread
3. B.S.W. thread
4. Knuckle thread

**Options :**

485584138469. 1  
485584138470. 2  
485584138471. 3  
485584138472. 4

**Question Number : 163 Question Id : 48558434618 Question Type : MCQ Option Shuffling : No Is Question Mandatory : No Calculator : None Response Time : N.A Think Time : N.A Minimum Instruction Time : 0**

**Correct Marks : 5 Wrong Marks : 1**

**Question Key Details :**

Key	Value
Comprehension	MCQ

ଇଲେକ୍ଟ୍ରିକ୍ (ବିଜୁଳି) ବଲ୍‌ବ୍ ଉପରେ ଥିବା ଥ୍ରେଡ୍ ପ୍ରୋଫାଇଲ ହେଲା:

1. ମେଟ୍ରିକ୍ ଇଣ୍ଟରନାଲ୍ ଥ୍ରେଡ୍
2. ବର୍ଗାକାର ଇଣ୍ଟରନାଲ୍ ଥ୍ରେଡ୍
3. BSW ଇଣ୍ଟରନାଲ୍ ଥ୍ରେଡ୍
4. ନକଲ୍ ଇଣ୍ଟରନାଲ୍ ଥ୍ରେଡ୍

**Options :**

485584138469. 1  
485584138470. 2  
485584138471. 3  
485584138472. 4

**Question Number : 164 Question Id : 48558434619 Question Type : MCQ Option Shuffling : No Is Question Mandatory : No Calculator : None Response Time : N.A Think Time : N.A Minimum Instruction Time : 0**

**Correct Marks : 5 Wrong Marks : 1**

**Question Key Details :**

Key	Value
Comprehension	MCQ

The total length of a bolt does not include its \_\_\_\_\_.

1. shank length
2. threaded length
3. head thickness / head height
4. non-threaded length

**Options :**

485584138473. 1  
485584138474. 2  
485584138475. 3  
485584138476. 4

**Question Number : 164 Question Id : 48558434619 Question Type : MCQ Option Shuffling : No Is Question Mandatory : No Calculator : None Response Time : N.A Think Time : N.A Minimum Instruction Time : 0**

**Correct Marks : 5 Wrong Marks : 1**

**Question Key Details :**

Key	Value
Comprehension	MCQ

ବୋଲର ସମଗ୍ର ଦୈର୍ଘ୍ୟରେ \_\_\_\_\_ ଅବରୁଦ୍ଧ ନୁହେଁ ।

1. ଶଙ୍କ ଦୈର୍ଘ୍ୟ
2. ଥ୍ରେଡେଡ୍ ଦୈର୍ଘ୍ୟ
3. ହେଡ ମୋଟେଇ/ହେଡ ଉଚ୍ଚତା
4. ନନ-ଥ୍ରେଡେଡ୍ ଦୈର୍ଘ୍ୟ

**Options :**

485584138473. 1  
485584138474. 2  
485584138475. 3  
485584138476. 4

**Question Number : 165 Question Id : 48558434620 Question Type : MCQ Option Shuffling : No Is Question Mandatory : No Calculator : None Response Time : N.A Think Time : N.A Minimum Instruction Time : 0**

**Correct Marks : 5 Wrong Marks : 1**

**Question Key Details :**

Key	Value
Comprehension	MCQ

\_\_\_\_\_ is the diameter of the chamfered circle of a square nut used for bolt of size M30.

1. 40 mm
2. 60 mm
3. 30 mm
4. 45 mm

**Options :**

485584138477. 1  
485584138478. 2  
485584138479. 3  
485584138480. 4

**Question Number : 165 Question Id : 48558434620 Question Type : MCQ Option Shuffling : No Is Question Mandatory : No Calculator : None Response Time : N.A Think Time : N.A Minimum Instruction Time : 0**

**Correct Marks : 5 Wrong Marks : 1**

**Question Key Details :**

Key	Value
Comprehension	MCQ

M30 ବୋଲ୍ଟ ସାଜକ ଲାଗି ବ୍ୟବହୃତ ବର୍ଗ ନଟ ଚେମିରଡ ବୃତ୍ତର ବ୍ୟାସ \_\_\_\_\_ mm ।

1. 40
2. 60
3. 30
4. 45

**Options :**

485584138477. 1  
485584138478. 2  
485584138479. 3  
485584138480. 4

**Question Number : 166 Question Id : 48558434621 Question Type : MCQ Option Shuffling : No Is Question Mandatory : No Calculator : None Response Time : N.A Think Time : N.A Minimum Instruction Time : 0**

**Correct Marks : 5 Wrong Marks : 1**

**Question Key Details :**

Key	Value
Comprehension	MCQ

The value of outer diameter of a plain washer for a bolt of nominal diameter 24 mm is \_\_\_\_\_.

1. 25 mm
2. 3 mm
3. 51 mm
4. 24 mm

**Options :**

485584138481. 1  
485584138482. 2  
485584138483. 3  
485584138484. 4

**Question Number : 166 Question Id : 48558434621 Question Type : MCQ Option Shuffling : No Is Question Mandatory : No Calculator : None Response Time : N.A Think Time : N.A Minimum Instruction Time : 0**

**Correct Marks : 5 Wrong Marks : 1**

**Question Key Details :**

Key	Value
Comprehension	MCQ

24 mm ନାମିନାଲ ବ୍ୟାସ ବିଶିଷ୍ଟ ବୋଲ୍ଟ ପାଇଁ ଆବଶ୍ୟକ ପ୍ଲେନ ୱାସରର ବାହ୍ୟ ବ୍ୟାସ ହେବ \_\_\_\_\_

1. 25 mm
2. 3 mm
3. 51 mm
4. 24 mm

**Options :**

485584138481. 1  
485584138482. 2  
485584138483. 3  
485584138484. 4

**Question Number : 167 Question Id : 48558434622 Question Type : MCQ Option Shuffling : No Is Question Mandatory : No Calculator : None Response Time : N.A Think Time : N.A Minimum Instruction Time : 0**

**Correct Marks : 5 Wrong Marks : 1**

**Question Key Details :**

Key	Value
Comprehension	MCQ

In conventional representation of V-thread, the side view shows a complete thick circle representing the \_\_\_\_\_.

1. Crest
2. Root
3. Lead
4. Pitch

**Options :**

485584138485. 1  
485584138486. 2  
485584138487. 3  
485584138488. 4

**Question Number : 167 Question Id : 48558434622 Question Type : MCQ Option Shuffling : No Is Question Mandatory : No Calculator : None Response Time : N.A Think Time : N.A Minimum Instruction Time : 0**

**Correct Marks : 5 Wrong Marks : 1**

**Question Key Details :**

Key	Value
Comprehension	MCQ

ଅନୁତର ପାରମ୍ପରିକ ପ୍ରଦର୍ଶନରେ, ସାଇଡ଼ଭ୍ୟୁ ଦର୍ଶାଏ ଯେଉଁଠି ଗୋଟା ଗୁଡ଼ିକ \_\_\_\_\_ ଅଟେ ।

1. କ୍ରେଷ୍ଟ
2. ରୁଟ
3. ଲିଡ
4. ପିଚ

**Options :**

485584138485. 1  
485584138486. 2  
485584138487. 3  
485584138488. 4

**Question Number : 168 Question Id : 48558434623 Question Type : MCQ Option Shuffling : No Is Question Mandatory : No Calculator : None Response Time : N.A Think Time : N.A Minimum Instruction Time : 0**

**Correct Marks : 5 Wrong Marks : 1**

**Question Key Details :**

Key	Value
Comprehension	MCQ

Length of metal end for a Square neck stud of diameter 'd=30 mm' can be \_\_\_\_\_.

1. 15 mm
2. 25 mm
3. 45 mm
4. 60 mm

**Options :**

485584138489. 1  
485584138490. 2  
485584138491. 3  
485584138492. 4

**Question Number : 168 Question Id : 48558434623 Question Type : MCQ Option Shuffling : No Is Question Mandatory : No Calculator : None Response Time : N.A Think Time : N.A Minimum Instruction Time : 0**

**Correct Marks : 5 Wrong Marks : 1**

**Question Key Details :**

Key	Value
Comprehension	MCQ

'd'=30mm ବ୍ୟାସ ଥିବା ବର୍ଗାକାର ଏକକ ଖୁଚର ମେଟାଲ ପ୍ରାନ୍ତ ଲମ୍ବ \_\_\_\_\_ ଅଟେ ।

1. 15 mm
2. 25 mm
3. 45 mm
4. 60 mm

**Options :**

485584138489. 1  
485584138490. 2  
485584138491. 3  
485584138492. 4

**Question Number : 169 Question Id : 48558434624 Question Type : MCQ Option Shuffling : No Is Question Mandatory : No Calculator : None Response Time : N.A Think Time : N.A Minimum Instruction Time : 0**

**Correct Marks : 5 Wrong Marks : 1**

**Question Key Details :**

Key	Value
Comprehension	MCQ

The thickness of collar in a Collar stud of diameter 30 mm is :

1. 30 mm
2. 45 mm
3. 12 mm
4. 20 mm

**Options :**

485584138493. 1  
485584138494. 2  
485584138495. 3  
485584138496. 4

**Question Number : 169 Question Id : 48558434624 Question Type : MCQ Option Shuffling : No Is Question Mandatory : No Calculator : None Response Time : N.A Think Time : N.A Minimum Instruction Time : 0**

**Correct Marks : 5 Wrong Marks : 1**

**Question Key Details :**

Key	Value
Comprehension	MCQ

30 mm ବ୍ୟାସ ଥିବା କଲର ଷ୍ଟୁଡରେ କଲରର ମୋଟେଇ:

1. 30 mm
2. 45 mm
3. 12 mm
4. 20 mm

**Options :**

485584138493. 1  
485584138494. 2  
485584138495. 3  
485584138496. 4

**Question Number : 170 Question Id : 48558434625 Question Type : MCQ Option Shuffling : No Is Question Mandatory : No Calculator : None Response Time : N.A Think Time : N.A Minimum Instruction Time : 0**

**Correct Marks : 5 Wrong Marks : 1**

**Question Key Details :**

Key	Value
Comprehension	MCQ

Rivets are not used in \_\_\_\_\_.

1. a pressure cooker
2. belts
3. a frying pan
4. a wooden stool

**Options :**

485584138497. 1  
485584138498. 2  
485584138499. 3  
485584138500. 4

**Question Number : 170 Question Id : 48558434625 Question Type : MCQ Option Shuffling : No Is Question Mandatory : No Calculator : None Response Time : N.A Think Time : N.A Minimum Instruction Time : 0**

**Correct Marks : 5 Wrong Marks : 1**

**Question Key Details :**

Key	Value
Comprehension	MCQ

ରିଭଟ୍ସ ବ୍ୟବହାର ହୁଏ ନାହିଁ:

1. ପ୍ରେସର କୁକରରେ
2. ବେଲ୍ଟସ ପାଇଁ
3. ଫ୍ରାଇଂ ପ୍ୟାନରେ
4. କାଠ ଷ୍ଟୁଲରେ

**Options :**

485584138497. 1  
485584138498. 2  
485584138499. 3  
485584138500. 4

**Question Number : 171 Question Id : 48558434626 Question Type : MCQ Option Shuffling : No Is Question Mandatory : No Calculator : None Response Time : N.A Think Time : N.A Minimum Instruction Time : 0**

**Correct Marks : 5 Wrong Marks : 1**

**Question Key Details :**

Key	Value
Comprehension	MCQ



In the top view of a vertical Pan Head Rivet of diameter 20mm, \_\_\_\_\_ is the diameter of the outer circle.

1. 20 mm
2. 32 mm
3. 40 mm
4. 25 mm

**Options :**

485584138501. 1  
485584138502. 2  
485584138503. 3  
485584138504. 4

**Question Number : 171 Question Id : 48558434626 Question Type : MCQ Option Shuffling : No Is Question Mandatory : No Calculator : None Response Time : N.A Think Time : N.A Minimum Instruction Time : 0**

**Correct Marks : 5 Wrong Marks : 1**

**Question Key Details :**

Key	Value
Comprehension	MCQ

20mm ବ୍ୟାସ ଥିବା ଲମ୍ବବତ ପାନ ହେଡ ରିଭେଟର ଚପ ଛୁ୍ୟ ପାଇଁ, ବାହ୍ୟ ବୃତ୍ତର ବ୍ୟାସ \_\_\_\_\_ ଅଟେ ।

1. 20 mm
2. 32 mm
3. 40 mm
4. 25 mm

**Options :**

485584138501. 1  
485584138502. 2  
485584138503. 3  
485584138504. 4

**Question Number : 172 Question Id : 48558434627 Question Type : MCQ Option Shuffling : No Is Question Mandatory : No Calculator : None Response Time : N.A Think Time : N.A Minimum Instruction Time : 0**

**Correct Marks : 5 Wrong Marks : 1**

**Question Key Details :**

Key	Value
Comprehension	MCQ

This assembly has an oil hole:

1. Sleeve and cotter joint assembly
2. Turnbuckle joint assembly
3. Bush bearing assembly
4. Open bearing assembly

**Options :**

485584138505. 1  
485584138506. 2  
485584138507. 3  
485584138508. 4

**Question Number : 172 Question Id : 48558434627 Question Type : MCQ Option Shuffling : No Is Question Mandatory : No Calculator : None Response Time : N.A Think Time : N.A Minimum Instruction Time : 0**

**Correct Marks : 5 Wrong Marks : 1**

**Question Key Details :**

Key	Value
Comprehension	MCQ

ଏହି ଆସେମ୍ବଲିର ତୈଳ ଗର୍ତ୍ତ ରହିଛି:

1. ସ୍ଲିଭ ଏବଂ କଟର ଜଏଣ୍ଟ ଆସେମ୍ବଲି
2. ଟର୍ନବୁକଲ ଜଏଣ୍ଟ ଆସେମ୍ବଲି
3. ବୁସ୍ ବିଅରିଂ ଆସେମ୍ବଲି
4. ଓପନ ବିଅରିଂ ଆସେମ୍ବଲି

**Options :**

485584138505. 1  
485584138506. 2  
485584138507. 3  
485584138508. 4

**Question Number : 173 Question Id : 48558434628 Question Type : MCQ Option Shuffling : No Is Question Mandatory : No Calculator : None Response Time : N.A Think Time : N.A Minimum Instruction Time : 0**

**Correct Marks : 5 Wrong Marks : 1**

**Question Key Details :**

Key	Value
Comprehension	MCQ

Open Bearing is used for \_\_\_\_\_.

1. vertical shafts
2. shafts rotating at high speed
3. shafts rotating at medium speed
4. zigzag shafts

**Options :**

485584138509. 1  
485584138510. 2  
485584138511. 3  
485584138512. 4

**Question Number : 173 Question Id : 48558434628 Question Type : MCQ Option Shuffling : No Is Question Mandatory : No Calculator : None Response Time : N.A Think Time : N.A Minimum Instruction Time : 0**

**Correct Marks : 5 Wrong Marks : 1**

**Question Key Details :**

Key	Value
Comprehension	MCQ

ଓପନ ବିଅରିଂ ବ୍ୟବହାର ହୁଏ \_\_\_\_\_ ପାଇଁ

1. ଭୂଲମ୍ବ ସାଫ୍ଟ
2. ଦ୍ରୁତ ବେଗରେ ଘୂରୁଥିବା ସାଫ୍ଟ
3. ମଧ୍ୟମ ବେଗରେ ଘୂରୁଥିବା ସାଫ୍ଟ
4. ଜିଗଜାଗ ସାଫ୍ଟ

**Options :**

485584138509. 1  
485584138510. 2  
485584138511. 3  
485584138512. 4

**Question Number : 174 Question Id : 48558434629 Question Type : MCQ Option Shuffling : No Is Question Mandatory : No Calculator : None Response Time : N.A Think Time : N.A Minimum Instruction Time : 0**

**Correct Marks : 5 Wrong Marks : 1**

**Question Key Details :**

Key	Value
Comprehension	MCQ

This bearing / joint is useful for higher loads at medium speed:

1. Bush Bearing
2. Open Bearing
3. Gib and Cotter joint
4. Sleeve and Cotter joint

**Options :**

485584138513. 1  
485584138514. 2  
485584138515. 3  
485584138516. 4

**Question Number : 174 Question Id : 48558434629 Question Type : MCQ Option Shuffling : No Is Question Mandatory : No Calculator : None Response Time : N.A Think Time : N.A Minimum Instruction Time : 0**

**Correct Marks : 5 Wrong Marks : 1**

**Question Key Details :**

Key	Value
Comprehension	MCQ

ଏହି ବିଅରିଂ/ଜଏଣ୍ଟ ଉଚ୍ଚ ଲୋଡ ପାଇଁ ମଧ୍ୟମ ବେଗରେ ଉପଯୋଗୀ:

1. ବୁସ୍ ବିଅରିଂ
2. ଓପନ ବିଅରିଂ
3. ଗିବ ଏବଂ କଟ୍ଟର ବିଅରିଂ
4. ସ୍ଲିଭ୍ ଏବଂ କଟ୍ଟର ଜଏଣ୍ଟ

**Options :**

485584138513. 1  
485584138514. 2  
485584138515. 3  
485584138516. 4

**Question Number : 175 Question Id : 48558434630 Question Type : MCQ Option Shuffling : No Is Question Mandatory : No Calculator : None Response Time : N.A Think Time : N.A Minimum Instruction Time : 0**

**Correct Marks : 5 Wrong Marks : 1**

**Question Key Details :**

Key	Value
Comprehension	MCQ

In a Sleeve and Cotter joint, each rod has \_\_\_\_\_ rectangular hole(s) for the insertion of cotter at right angle to the axis.

1. One
2. Two
3. Three
4. Five

**Options :**

485584138517. 1  
485584138518. 2  
485584138519. 3  
485584138520. 4

**Question Number : 175 Question Id : 48558434630 Question Type : MCQ Option Shuffling : No Is Question Mandatory : No Calculator : None Response Time : N.A Think Time : N.A Minimum Instruction Time : 0**

**Correct Marks : 5 Wrong Marks : 1**

**Question Key Details :**

Key	Value
Comprehension	MCQ

ସ୍ଲିଭ ଏବଂ କଟର ଜଏଣ୍ଟରେ, ପ୍ରତ୍ୟେକ ରଡ୍‌ରେ \_\_\_\_\_ ଆୟତାକାର ଛୋଳ ଥାଏ, ଅକ୍ଷରୁ ଛୁଲାଇ ଭାବେ କଟର ପ୍ରବେଶ ପାଇଁ:

1. ଏକ
2. ଦୁଇ
3. ତିନି
4. ପାଞ୍ଚ

**Options :**

485584138517. 1  
485584138518. 2  
485584138519. 3  
485584138520. 4

**Question Number : 176 Question Id : 48558434631 Question Type : MCQ Option Shuffling : No Is Question Mandatory : No Calculator : None Response Time : N.A Think Time : N.A Minimum Instruction Time : 0**

**Correct Marks : 5 Wrong Marks : 1**

**Question Key Details :**

Key	Value
Comprehension	MCQ

A machine part which prevents slacking of the joint besides holding the jaws of the strap from opening wide when the cotter is inserted;

1. Cotter
2. Rod
3. Gib
4. Sleeve

**Options :**

485584138521. 1  
485584138522. 2  
485584138523. 3  
485584138524. 4

**Question Number : 176 Question Id : 48558434631 Question Type : MCQ Option Shuffling : No Is Question Mandatory : No Calculator : None Response Time : N.A Think Time : N.A Minimum Instruction Time : 0**

**Correct Marks : 5 Wrong Marks : 1**

**Question Key Details :**

Key	Value
Comprehension	MCQ

ସ୍ତ୍ରୀପର ମୁହଁକୁ ଅଧିକ ନ ଖୋଲିବା ପାଇଁ ତଥା ଜ୍ୟାମିତୀରୁ ରୋକିଥିବା ମସିନ ହେଲା:

1. କଟର
2. ରଡ଼
3. ଗିବ
4. ସ୍ଲିଭ

**Options :**

485584138521. 1  
485584138522. 2  
485584138523. 3  
485584138524. 4

**Question Number : 177 Question Id : 48558434632 Question Type : MCQ Option Shuffling : No Is Question Mandatory : No Calculator : None Response Time : N.A Think Time : N.A Minimum Instruction Time : 0**

**Correct Marks : 5 Wrong Marks : 1**

**Question Key Details :**

Key	Value
Comprehension	MCQ

In Flange Pipe Joint, if it is mentioned SQ Headed Bolt MS-4 OFF. What is the meaning of 4 OFF ?

1. Four number of bolt.
2. Four types of bolt.
3. Four mm length of bolt.
4. Four mm thickness of bolt.

**Options :**

485584138525. 1  
485584138526. 2  
485584138527. 3  
485584138528. 4

**Question Number : 177 Question Id : 48558434632 Question Type : MCQ Option Shuffling : No Is Question Mandatory : No Calculator : None Response Time : N.A Think Time : N.A Minimum Instruction Time : 0**

**Correct Marks : 5 Wrong Marks : 1**

**Question Key Details :**

Key	Value
Comprehension	MCQ

ଯଦି ଫ୍ଲାଙ୍ଗ ପାଇପ ଜଏଣ୍ଟରେ SQ ହେଡେଡ ବୋଲ୍ଟ MS-4 OFF ଲେଖାଯାଏ, 4 OFFର ଅର୍ଥ ହେବ:

1. ଚାରିଟି ବୋଲ୍ଟ
2. ଚାରି ପ୍ରକାର ବୋଲ୍ଟ
3. ଚାରି mm ଲମ୍ବ ବୋଲ୍ଟ
4. ଚାରି mm ମୋଟେଇର ବୋଲ୍ଟ

**Options :**

485584138525. 1  
485584138526. 2  
485584138527. 3  
485584138528. 4

**Question Number : 178 Question Id : 48558434633 Question Type : MCQ Option Shuffling : No Is Question Mandatory : No Calculator : None Response Time : N.A Think Time : N.A Minimum Instruction Time : 0**

**Correct Marks : 5 Wrong Marks : 1**

**Question Key Details :**

Key	Value
Comprehension	MCQ

In Turnbuckle joint, the two rods have \_\_\_\_\_ screw threads.

1. Opposite hand external
2. Opposite hand internal
3. Both external RH
4. Both internal LH

**Options :**

485584138529. 1  
485584138530. 2  
485584138531. 3  
485584138532. 4

**Question Number : 178 Question Id : 48558434633 Question Type : MCQ Option Shuffling : No Is Question Mandatory : No Calculator : None Response Time : N.A Think Time : N.A Minimum Instruction Time : 0**

**Correct Marks : 5 Wrong Marks : 1**

**Question Key Details :**

Key	Value
Comprehension	MCQ

ଚର୍ମ ବକଳ ଜୀବରେ, ଦୁଇ ରତ୍ନ \_\_\_\_\_ ସ୍ଵ ପ୍ରେତ ରହିଛି ।

1. ବିପରୀତ ହ୍ୟାଣ୍ଡ ଏକ୍ସ୍ଟରନାଲ (ବାହ୍ୟ)
2. ବିପରୀତ ହ୍ୟାଣ୍ଡ ଇଣ୍ଟରନାଲ
3. ଉଭୟ ଏକ୍ସ୍ଟରନାଲ RH
4. ଉଭୟ ଇଣ୍ଟରନାଲ LH

**Options :**

485584138529. 1  
485584138530. 2  
485584138531. 3  
485584138532. 4

**Question Number : 179 Question Id : 48558434634 Question Type : MCQ Option Shuffling : No Is Question Mandatory : No Calculator : None Response Time : N.A Think Time : N.A Minimum Instruction Time : 0**

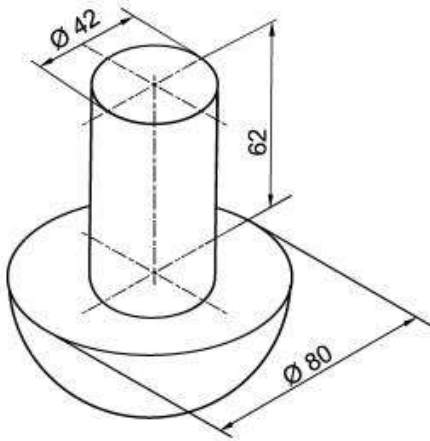
**Correct Marks : 5 Wrong Marks : 1**

**Question Key Details :**

Key	Value
Comprehension	MCQ



Identify the **correct** statements for the given figure:



- A. Axes of both solids are perpendicular to H.P.
- B. Axis of cylinder is perpendicular to V.P. and axis of hemisphere is perpendicular to H.P.
- C. A vertical cylinder is resting on the circular face of a hemisphere.
- D. A hemisphere is resting on a cylinder.
- E. A horizontal cylinder is resting on a hemisphere.

Choose the **correct** answer from the options given below:

- 1. B and E only
- 2. A and D only
- 3. D and E only
- 4. A and C only

**Options :**

- 485584138533. 1
- 485584138534. 2
- 485584138535. 3
- 485584138536. 4

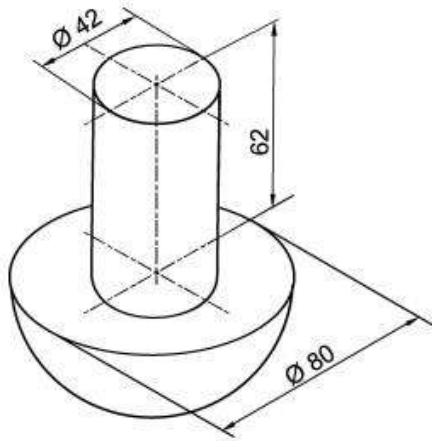
**Question Number : 179 Question Id : 48558434634 Question Type : MCQ Option Shuffling : No Is Question Mandatory : No Calculator : None Response Time : N.A Think Time : N.A Minimum Instruction Time : 0**

**Correct Marks : 5 Wrong Marks : 1**

**Question Key Details :**

Key	Value
Comprehension	MCQ

ସଠିକ କଥନ ସବୁ ହେଲା:



- A. ଉଭୟ ସିଲିଣ୍ଡର ଅକ୍ଷ HP ଠାରୁ ଲମ୍ବବତ ।
- B. ସିଲିଣ୍ଡରର ଅକ୍ଷ VP ଚଃଅରୁ ଲମ୍ବବତ ଏବଂ ଅର୍ଦ୍ଧ ଗୋଲକର ଅକ୍ଷ HP ଠାରୁ ଲମ୍ବବତ ।
- C. ଅର୍ଦ୍ଧ ଗୋଲକର ବୃତ୍ତିୟ ମୁଖ ଉପରେ ଲମ୍ବ ସିଲିଣ୍ଡର ସ୍ଥିତ ।
- D. ଅର୍ଦ୍ଧ ଗୋଲକର ସିଲିଣ୍ଡର ଉପରେ ରହିଛି ।
- E. ଅର୍ଦ୍ଧ ଗୋଲକର ଉପରେ ସମାନ୍ତର ସିଲିଣ୍ଡର ସ୍ଥିତ

ନିମ୍ନଲିଖିତ ବିକଳ୍ପ ଗୁଡ଼ିକ ମଧ୍ୟରୁ ଠିକ୍ ଉତ୍ତରକୁ ବାଛି:

- 1. B and E only
- 2. A and D only
- 3. D and E only
- 4. A and C only

**Options :**

- 485584138533. 1
- 485584138534. 2
- 485584138535. 3
- 485584138536. 4

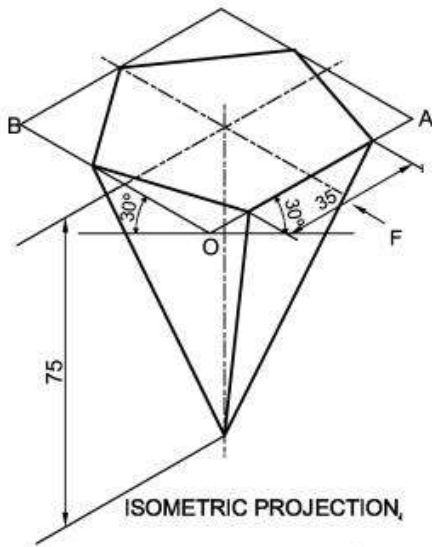
**Question Number : 180 Question Id : 48558434635 Question Type : MCQ Option Shuffling : No Is Question Mandatory : No Calculator : None Response Time : N.A Think Time : N.A Minimum Instruction Time : 0**

**Correct Marks : 5 Wrong Marks : 1**

**Question Key Details :**

Key	Value
Comprehension	MCQ

Identify the **correct** statements for the given figure:



- A. A pentagonal prism is resting on H.P. on its base.
- B. Axis of pyramid is perpendicular to V.P.
- C. Axis of pyramid is perpendicular to H.P.
- D. A pentagonal pyramid is resting on H.P. on its apex.
- E. Length of its axis is 35 mm.

Choose the **correct** answer from the options given below:

- 1. A and B only
- 2. C and D only
- 3. B and E only
- 4. A and C only

**Options :**

- 485584138537. 1
- 485584138538. 2
- 485584138539. 3
- 485584138540. 4

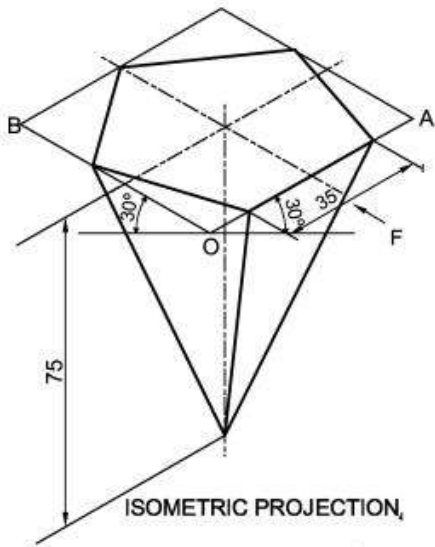
**Question Number : 180 Question Id : 48558434635 Question Type : MCQ Option Shuffling : No Is Question Mandatory : No Calculator : None Response Time : N.A Think Time : N.A Minimum Instruction Time : 0**

**Correct Marks : 5 Wrong Marks : 1**

**Question Key Details :**

Key	Value
Comprehension	MCQ

ସଠିକ କଥନ ସବୁ ହେଲା:



- A. HP ଉପରେ ପଞ୍ଚମୁଖୀ ପ୍ରିଜମ ବେସ ସହାୟତାରେ ଛିଡ଼ ।
- B. VP ଠାରୁ ପିରାମିଡ ଅକ୍ଷ ଲମ୍ବବତ ।
- C. HP ଠାରୁ ପିରାମିଡ ଅକ୍ଷ ଲମ୍ବବତ ।
- D. HP ଉପରେ ଏପେକ୍ସ ସାହାଯ୍ୟରେ ପଞ୍ଚମୁଖୀ ପିରାମିଡ ଛିଡ଼ ।
- E. ଅକ୍ଷର ଲମ୍ବ 35 mm

ନିମ୍ନଲିଖିତ ବିକଳ୍ପ ଗୁଡ଼ିକ ମଧ୍ୟରୁ ଠିକ୍ ଉତ୍ତରକୁ ବାଛି:

- 1. A and B only
- 2. C and D only
- 3. B and E only
- 4. A and C only

**Options :**

- 485584138537. 1
- 485584138538. 2
- 485584138539. 3
- 485584138540. 4

**Question Number : 181 Question Id : 48558434636 Question Type : MCQ Option Shuffling : No Is Question Mandatory : No Calculator : None Response Time : N.A Think Time : N.A Minimum Instruction Time : 0**

**Correct Marks : 5 Wrong Marks : 1**

**Question Key Details :**

Key	Value
Comprehension	MCQ

Identify the **correct** statements for Isometric Projection of a Sphere:

- A. Its diameter is foreshortened.
- B. Its isometric projection appears as circle.
- C. Its isometric projection is drawn by taking an angle of  $60^\circ$  with the horizontal reference line.
- D. Its diameter is drawn using true scale.
- E. Its isometric projection appears as hemisphere.

Choose the **correct** answer from the options given below:

- 1. B and D only
- 2. B and C only
- 3. A and D only
- 4. A and E only

**Options :**

- 485584138541. 1
- 485584138542. 2
- 485584138543. 3
- 485584138544. 4

**Question Number : 181 Question Id : 48558434636 Question Type : MCQ Option Shuffling : No Is Question Mandatory : No Calculator : None Response Time : N.A Think Time : N.A Minimum Instruction Time : 0**

**Correct Marks : 5 Wrong Marks : 1**

**Question Key Details :**

Key	Value
Comprehension	MCQ

ଗୋଲକର ଆଇସୋମେଟ୍ରିକ ପ୍ରୋଜେକ୍ସନ ଟାଣିବା ସମ୍ବନ୍ଧିତ ସଠିକ କଥନ ହେଲା:

- A. ଏହାର ସାଇକ ଫୋରସର୍ଟେନ୍ ହୋଇଯିବ ।
- B. ଏହାର ଆଇସୋମେଟ୍ରିକ ପ୍ରୋଜେକ୍ସନ ବୃତ୍ତ ପରି ଦିଶିବ ।
- C. ଏହାର ଆଇସୋମେଟ୍ରିକ ପ୍ରୋଜେକ୍ସନ କ୍ଷିତିକ ସହ  $60^\circ$  କୋଣରେ ଟାଣା ଯିବ ।
- D. ଏହାର ବ୍ୟାସ ପ୍ରକୃତ ସ୍କେଲ ଦ୍ୱାରା ଟାଣାଯିବ ।
- E. ଏହାର ଆଇସୋମେଟ୍ରିକ ପ୍ରୋଜେକ୍ସନ ଅର୍ଦ୍ଧ ଗୋଲକ ପରି ଦେଖାଯିବ ।

ନିମ୍ନଲିଖିତ ବିକଳ୍ପ ଗୁଡ଼ିକ ମଧ୍ୟରୁ ଠିକ୍ ଉତ୍ତରକୁ ବାଛ:

- 1. B and D only
- 2. B and C only
- 3. A and D only
- 4. A and E only

**Options :**

- 485584138541. 1
- 485584138542. 2

485584138543. 3

485584138544. 4

**Question Number : 182 Question Id : 48558434637 Question Type : MCQ Option Shuffling : No Is Question Mandatory : No Calculator : None Response Time : N.A Think Time : N.A Minimum Instruction Time : 0**

**Correct Marks : 5 Wrong Marks : 1**

**Question Key Details :**

Key	Value
Comprehension	MCQ

Identify the **correct** statements for the Screw threads:

- A. A square thread of nominal diameter = 30 mm and Pitch = 6 mm is designated as K 30 × 6.
- B. Knuckle threads are used on necks of glass bottles.
- C. Square threads offers less frictional resistance.
- D. The angle between flanks of metric thread is 55°.
- E. The flanks of B.S.W. thread are equally rounded at both crest and root.

Choose the **correct** answer from the options given below:

- 1. A, B and C only
- 2. B, C and D only
- 3. C, D and E only
- 4. B, C and E only

**Options :**

485584138545. 1

485584138546. 2

485584138547. 3

485584138548. 4

**Question Number : 182 Question Id : 48558434637 Question Type : MCQ Option Shuffling : No Is Question Mandatory : No Calculator : None Response Time : N.A Think Time : N.A Minimum Instruction Time : 0**

**Correct Marks : 5 Wrong Marks : 1**

**Question Key Details :**

Key	Value
Comprehension	MCQ

ସ୍ୱାଭାବିକ ପାଇଁ ସଠିକ କଥାଟି କେଉଁଟି:

- A. ବର୍ଗ ଥ୍ରେଡର ନୋମିନାଲ ବ୍ୟାସ = 30 mm ଏବଂ ପିଚ = 6 mm କୁ K 30 × 6 ଦର୍ଶାଯିବ ।
- B. ନକଲ ଥ୍ରେଡ ଗ୍ଲୁସ ବୋତଲ ବେକରେ ବ୍ୟବହାର କରାଯାଏ ।
- C. ବର୍ଗ ଥ୍ରେଡ V ଥ୍ରେଡ ଡୁଲନାରେ କମ ଘର୍ଷଣ ପ୍ରତିରୋଧ କରିଥାଏ ।
- D. ମେଟ୍ରିକ ଥ୍ରେଡ ଫ୍ଲୁକ ମଧ୍ୟରେ 55° କୋଣ ଥାଏ ।
- E. BSW ଥ୍ରେଡର ଫ୍ଲୁକ ଗୁଡ଼ିକ ଉତ୍ତମ କ୍ରେଷ୍ଟ ଏବଂ ରୁଟ ଠାରେ ସମାନ ରୂପେ ଗୋଲେଇ ବିଶିଷ୍ଟ ।

ନିମ୍ନଲିଖିତ ବିକଳ୍ପ ଗୁଡ଼ିକ ମଧ୍ୟରୁ ଠିକ୍ ଉତ୍ତରକୁ ବାଛି:

- 1. A, B and C only
- 2. B, C and D only
- 3. C, D and E only
- 4. B, C and E only

**Options :**

- 485584138545. 1
- 485584138546. 2
- 485584138547. 3
- 485584138548. 4

**Question Number : 183 Question Id : 48558434638 Question Type : MCQ Option Shuffling : No Is Question Mandatory : No Calculator : None Response Time : N.A Think Time : N.A Minimum Instruction Time : 0**

**Correct Marks : 5 Wrong Marks : 1**

**Question Key Details :**

Key	Value
Comprehension	MCQ

Identify the **correct** statements for Stud:

- A. Stud is a permanent fastener.
- B. A stud is a cylindrical rod, having threads on both ends.
- C. It has internal thread.
- D. It is always used with cotter.
- E. It is used where there is no place for the bolt head.

Choose the **correct** answer from the options given below:

- 1. A and E only
- 2. B and E only
- 3. D and E only
- 4. B and D only

**Options :**

- 485584138549. 1
- 485584138550. 2

485584138551. 3  
485584138552. 4

**Question Number : 183 Question Id : 48558434638 Question Type : MCQ Option Shuffling : No Is Question Mandatory : No Calculator : None Response Time : N.A Think Time : N.A Minimum Instruction Time : 0**

**Correct Marks : 5 Wrong Marks : 1**

**Question Key Details :**

Key	Value
Comprehension	MCQ

ସ୍ୱତନ୍ତ୍ର ସମ୍ବନ୍ଧିତ ସଠିକ କଥନ ସବୁ ହେଲା:

- A. ସ୍ୱତନ୍ତ୍ର ଏକ ସ୍ୱାଧୀନ ପାଠ୍ୟପୁସ୍ତକ ।
- B. ସ୍ୱତନ୍ତ୍ର ଏକ ସିଲିଣ୍ଡର ରତ୍ନ ଯାହାର ଉଭୟ ମୁଣ୍ଡରେ ଥେଡ ଥାଏ ।
- C. ଏହାର ଆନ୍ତରିକ ଗ୍ରେଡ ଥାଏ ।
- D. ଏହା ସର୍ବଦା କଟର ସହ ବ୍ୟବହାର ହୁଏ ।
- E. ଯେଉଁଠି ବୋଲୁ ହେତ ପାଇଁ ସ୍ଥାନ ନଥାଏ, ଏହା ସେଠାରେ ବ୍ୟବହାର ହୁଏ ।

ନିମ୍ନଲିଖିତ ବିକଳ୍ପ ଗୁଡ଼ିକ ମଧ୍ୟରୁ ଠିକ୍ ଉତ୍ତରକୁ ବାଛ:

- 1. A and E only
- 2. B and E only
- 3. D and E only
- 4. B and D only

**Options :**

485584138549. 1  
485584138550. 2  
485584138551. 3  
485584138552. 4

**Question Number : 184 Question Id : 48558434639 Question Type : MCQ Option Shuffling : No Is Question Mandatory : No Calculator : None Response Time : N.A Think Time : N.A Minimum Instruction Time : 0**

**Correct Marks : 5 Wrong Marks : 1**

**Question Key Details :**

Key	Value
Comprehension	MCQ



Identify the **correct** statements for a Gib and Cotter joint:

- A. The Gib has the same thickness as that of the Cotter.
- B. Two cotters are used in this joint.
- C. Cotter is made of plastic.
- D. Cotter is used in conjunction with Gib.
- E. Rods are of circular shape in this joint.

Choose the **correct** answer from the options given below:

- 1. A and B only
- 2. A and C only
- 3. A and D only
- 4. D and E only

**Options :**

- 485584138553. 1
- 485584138554. 2
- 485584138555. 3
- 485584138556. 4

**Question Number : 184 Question Id : 48558434639 Question Type : MCQ Option Shuffling : No Is Question Mandatory : No Calculator : None Response Time : N.A Think Time : N.A Minimum Instruction Time : 0**

**Correct Marks : 5 Wrong Marks : 1**

**Question Key Details :**

Key	Value
Comprehension	MCQ

ଗିବ ଏବଂ କଟର ଜଏଣ୍ଟ୍ ସମ୍ବନ୍ଧରେ ସଠିକ କଥାଟି:

- A. ଗିବର କଟର ସହ ମୋଟେଇ ସମାନ ।
- B. ଦୁଇଟି କଟର ବ୍ୟବହାର ହୁଏ ।
- C. କଟର ପ୍ଲାଷ୍ଟିକରେ ଗଢ଼ା ।
- D. କଟର ଗିବ ସହ ମିଳିତ ଭାବେ ବ୍ୟବହୃତ ।
- E. ରଡ ସହ ବୃତ୍ତୀୟ ଆକାରର ।

ନିମ୍ନଲିଖିତ ବିକଳ୍ପ ଗୁଡ଼ିକ ମଧ୍ୟରୁ ଠିକ୍ ଉତ୍ତରକୁ ବାଛ:

- 1. A and B only
- 2. A and C only
- 3. A and D only
- 4. D and E only

**Options :**

- 485584138553. 1
- 485584138554. 2

485584138555. 3

485584138556. 4

**Question Number : 185 Question Id : 48558434640 Question Type : MCQ Option Shuffling : No Is Question Mandatory : No Calculator : None Response Time : N.A Think Time : N.A Minimum Instruction Time : 0**

**Correct Marks : 5 Wrong Marks : 1**

**Question Key Details :**

Key	Value
Comprehension	MCQ

Match List I with List II

LIST I		LIST II	
A.	Isometric projection	I.	Angle between two principal planes is $90^\circ$ .
B.	Dimetric projection	II.	All the angles between principal axes are unequal and not less than $90^\circ$ .
C.	Trimetric projection	III.	All the angles between principal axes are equal.
D.	Orthographic projection	IV.	Only two angles between three principal axes are equal.

Choose the **correct** answer from the options given below:

1. A-III, B-IV, C-II, D-I

2. A-I, B-II, C-III, D-IV

3. A-II, B-III, C-IV, D-I

4. A-IV, B-II, C-III, D-I

**Options :**

485584138557. 1

485584138558. 2

485584138559. 3

485584138560. 4

**Question Number : 185 Question Id : 48558434640 Question Type : MCQ Option Shuffling : No Is Question Mandatory : No Calculator : None Response Time : N.A Think Time : N.A Minimum Instruction Time : 0**

**Correct Marks : 5 Wrong Marks : 1**

**Question Key Details :**

Key	Value
Comprehension	MCQ

ତାଲିକା-I ସହିତ ତାଲିକା-IIକୁ ମିଳାଅ

ତାଲିକା-I		ତାଲିକା-II	
A.	ଆଇସୋ ମେଟ୍ରିକ ପ୍ରୋଜେକ୍ସନ	I.	ଦୁଇ ମୁଖ୍ୟ ତଳ ମଧ୍ୟରେ କୋଣ $90^\circ$
B.	ଡାଇମେଟ୍ରିକ ପ୍ରୋଜେକ୍ସନ	II.	ଦିନିଚି କୋଣ ଅସମାନ ତଥା $90^\circ$ ରୁ କମ ନୁହେଁ
C.	ଡ୍ରାଫ୍ଟ ପ୍ରୋଜେକ୍ସନ	III.	ମୁଖ୍ୟ ଅକ୍ଷ ମଧ୍ୟରେ ସବୁ କୋଣ ସମାନ ପରିମାଣର
D.	ଅର୍ଥୋଗ୍ରାଫିକ ପ୍ରୋଜେକ୍ସନ	IV.	କେବଳ ଦୁଇ କୋଣ ଦିନୋଟି ମୁଖ୍ୟ ଅକ୍ଷ ମଧ୍ୟରେ ସମାନ

ନିମ୍ନଲିଖିତ ବିକଳ୍ପ ଗୁଡ଼ିକ ମଧ୍ୟରୁ ଠିକ୍ ଉତ୍ତରକୁ ବାଛ:

1. A-III, B-IV, C-II, D-I
2. A-I, B-II, C-III, D-IV
3. A-II, B-III, C-IV, D-I
4. A-IV, B-II, C-III, D-I

**Options :**

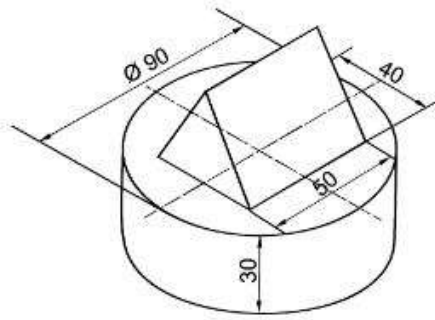
485584138557. 1  
 485584138558. 2  
 485584138559. 3  
 485584138560. 4

**Question Number : 186 Question Id : 48558434641 Question Type : MCQ Option Shuffling : No Is Question Mandatory : No Calculator : None Response Time : N.A Think Time : N.A Minimum Instruction Time : 0**

**Correct Marks : 5 Wrong Marks : 1**

**Question Key Details :**

Key	Value
Comprehension	MCQ



Match List I with List II on the basis of the given figure.

LIST I		LIST II	
A.	Bottom Solid.	I.	Vertical
B.	Top solid.	II.	Horizontal
C.	Axis of top solid.	III.	Equilateral Triangular Prism
D.	Axis of bottom solid.	IV.	Circular slab

Choose the **correct** answer from the options given below:

1. A-III, B-II, C-I, D-IV
2. A-III, B-II, C-IV, D-I
3. A-I, B-II, C-III, D-IV
4. A-IV, B-III, C-II, D-I

**Options :**

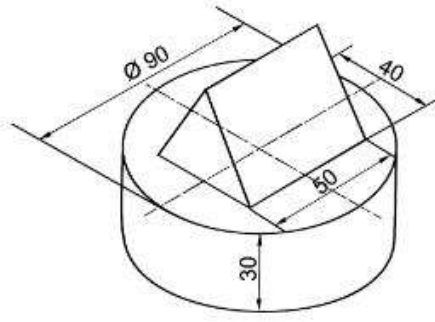
485584138561. 1  
 485584138562. 2  
 485584138563. 3  
 485584138564. 4

**Question Number : 186 Question Id : 48558434641 Question Type : MCQ Option Shuffling : No Is Question Mandatory : No Calculator : None Response Time : N.A Think Time : N.A Minimum Instruction Time : 0**

**Correct Marks : 5 Wrong Marks : 1**

**Question Key Details :**

Key	Value
Comprehension	MCQ



ତାଲିକା-I ସହିତ ତାଲିକା-IIକୁ ମିଳାଅ

ତାଲିକା-I ଆଇସୋମେଟ୍ରିକ ପ୍ରୋଜେକ୍ସନ		ତାଲିକା-II	
A.	ବସମ ସଲିଡ	I.	ଲମ୍ବସତ
B.	ପେ ସଲିଡ	II.	ଭୂସମାନ୍ତର
C.	ଇକ୍ୱିଲାଟେରାଲ (equilateral) ତ୍ରିଭୁଜାକାର ପ୍ରିଜମ ଅକ୍ଷ	III.	ଇକ୍ୱିଲାଟେରାଲ ତ୍ରିଭୁଜାକାର ପ୍ରିଜମ
D.	ବୃତ୍ତାକାର ସ୍ୱାବ ଅକ୍ଷ	IV.	ବୃତ୍ତାକାର ସ୍ୱାବ

ନିମ୍ନଲିଖିତ ବିକଳ୍ପ ଗୁଡ଼ିକ ମଧ୍ୟରୁ ଠିକ୍ ଉତ୍ତରକୁ ବାଛ:

1. A-III, B-II, C-I, D-IV
2. A-II, B-II, C-IV, D-I
3. A-I, B-II, C-III, D-IV
4. A-IV, B-III, C-II, D-I

**Options :**

485584138561. 1  
 485584138562. 2  
 485584138563. 3  
 485584138564. 4

**Question Number : 187 Question Id : 48558434642 Question Type : MCQ Option Shuffling : No Is Question Mandatory : No Calculator : None Response Time : N.A Think Time : N.A Minimum Instruction Time : 0**

**Correct Marks : 5 Wrong Marks : 1**

**Question Key Details :**

Key	Value
Comprehension	MCQ

Match List I with List II

LIST I Hexagonal headed bolt		LIST II (‘d’ is the nominal diameter)	
A.	Thickness of Head	I.	d
B.	Threaded length of shank	II.	0.8d
C.	Radius of arc showing conventional end of the shank in its front view	III.	2d +6
D.	Width across the flats of head	IV.	1.5d+3

Choose the **correct** answer from the options given below:

1. A-II, B-III, C-I, D-IV
2. A-I, B-II, C-III, D-IV
3. A-III, B-IV, C-II, D-I
4. A-IV, B-I, C-II, D-III

**Options :**

- 485584138565. 1
- 485584138566. 2
- 485584138567. 3
- 485584138568. 4

**Question Number : 187 Question Id : 48558434642 Question Type : MCQ Option Shuffling : No Is Question Mandatory : No Calculator : None Response Time : N.A Think Time : N.A Minimum Instruction Time : 0**

**Correct Marks : 5 Wrong Marks : 1**

**Question Key Details :**

Key	Value
Comprehension	MCQ

ତାଲିକା-I ସହିତ ତାଲିକା-IIକୁ ମିଳାଅ

ତାଲିକା-I		ତାଲିକା-II	
A.	ହେତର ମୋଟେଇ	I.	d
B.	ଶାକର ଶ୍ରେତ ଲମ୍ବ	II.	0.8d
C.	ପ୍ରାରମ୍ଭିକ ପ୍ରାତ ଦର୍ଶଭୟବା ବୃତ୍ତାଂଶର ବ୍ୟାସାର୍ଦ୍ଧ	III.	2d +6
D.	ମୁଣ୍ଡର ଦୁଇ ସମାନ୍ତର ମୁଖ ମଧ୍ୟରେ ଥିବା ଘୂଟ ସାପେକ୍ଷରେ ସାଇଜ	IV.	1.5d+3

ନିମ୍ନଲିଖିତ ବିକଳ୍ପ ଗୁଡ଼ିକ ମଧ୍ୟରୁ ଠିକ୍ ଉତ୍ତରକୁ ବାଛ:

1. A-II, B-III, C-I, D-IV
2. A-I, B-II, C-III, D-IV
3. A-III, B-IV, C-II, D-I
4. A-IV, B-I, C-II, D-III

**Options :**

485584138565. 1  
 485584138566. 2  
 485584138567. 3  
 485584138568. 4

**Question Number : 188 Question Id : 48558434643 Question Type : MCQ Option Shuffling : No Is Question Mandatory : No Calculator : None Response Time : N.A Think Time : N.A Minimum Instruction Time : 0**

**Correct Marks : 5 Wrong Marks : 1**

**Question Key Details :**

Key	Value
Comprehension	MCQ

Match List I with List II

LIST I		LIST II	
A.	B.S.W. Thread	I.	Semicircles on opposite side
B.	Metric External Thread	II.	Both crest and root are flat
C.	Square Thread	III.	Rounded equally at root and crest
D.	Knuckle Thread	IV.	Crest flat and root rounded

Choose the **correct** answer from the options given below:

1. A-I, B-II, C-III, D-IV
2. A-IV, B-III, C-I, D-II
3. A-III, B-IV, C-II, D-I
4. A-II, B-III, C-I, D-IV

**Options :**

485584138569. 1

485584138570. 2  
485584138571. 3  
485584138572. 4

**Question Number : 188 Question Id : 48558434643 Question Type : MCQ Option Shuffling : No Is Question Mandatory : No Calculator : None Response Time : N.A Think Time : N.A Minimum Instruction Time : 0**

**Correct Marks : 5 Wrong Marks : 1**

**Question Key Details :**

Key	Value
Comprehension	MCQ

ତାଲିକା-I ସହିତ ତାଲିକା-IIକୁ ମିଳାଅ

ତାଲିକା-I		ତାଲିକା-II	
A.	B.S.W ପ୍ରେତ	I.	ବିପରୀତ ପାର୍ଶ୍ୱରେ ସ୍ଥିତ ଅର୍ଦ୍ଧବୃତ୍ତ ।
B.	ମେଟ୍ରିକ୍ ବାହ୍ୟ ପ୍ରେତ	II.	ଉଭୟ କ୍ରେଷ୍ଟ ଏବଂ ରୁଟ୍ ଚତକ ।
C.	ବର୍ଗାକାର ପ୍ରେତ	III.	ରୁଟ୍ ତଥା କ୍ରେଷ୍ଟ ଠାରେ ସମାନ ରୂପେ ଗୋଲେଇ
D.	ନିକଳ ପ୍ରେତ	IV.	କ୍ରେଷ୍ଟ ଫ୍ଲଟ୍ ତଥା ରୁଟ୍ ବୃତ୍ତାକାର

ନିମ୍ନଲିଖିତ ବିକଳ୍ପ ଗୁଡ଼ିକ ମଧ୍ୟରୁ ଠିକ୍ ଉତ୍ତରକୁ ବାଛ:

1. A-I, B-II, C-III, D-IV
2. A-IV, B-III, C-I, D-II
3. A-III, B-IV, C-II, D-I
4. A-II, B-III, C-I, D-IV

**Options :**

485584138569. 1  
485584138570. 2  
485584138571. 3  
485584138572. 4

**Question Number : 189 Question Id : 48558434644 Question Type : MCQ Option Shuffling : No Is Question Mandatory : No Calculator : None Response Time : N.A Think Time : N.A Minimum Instruction Time : 0**

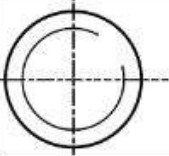

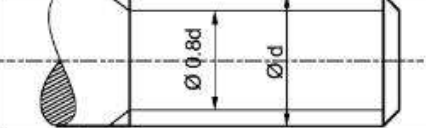
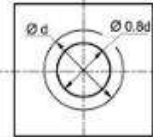
**Correct Marks : 5 Wrong Marks : 1**

**Question Key Details :**

Key	Value
Comprehension	MCQ



Match List I with List II

LIST I (Conventional representation of V- thread)		LIST II (Orthographic View)	
A.	External V-thread in the front view	I.	
B.	Internal V-thread in the side view	II.	
C.	External V-thread in the side view	III.	
D.	Internal V-thread in the front view	IV.	

Choose the **correct** answer from the options given below:

1. A-I, B-III, C-II, D-IV
2. A-III, B-IV, C-I, D-II
3. A-II, B-I, C-IV, D-III
4. A-IV, B-II, C-III, D-I

**Options :**

485584138573. 1  
 485584138574. 2  
 485584138575. 3  
 485584138576. 4

**Question Number : 189 Question Id : 48558434644 Question Type : MCQ Option Shuffling : No Is Question Mandatory : No Calculator : None Response Time : N.A Think Time : N.A Minimum Instruction Time : 0**

**Correct Marks : 5 Wrong Marks : 1**

**Question Key Details :**

Key	Value
Comprehension	MCQ

ତାଲିକା-I ସହିତ ତାଲିକା-IIକୁ ମିଳାଅ

ତାଲିକା-I ପାରମ୍ପରିକ ପ୍ରବର୍ଣ୍ଣନ		ତାଲିକା-II (FIGURES)	
A.	ବାହ୍ୟ V-ପ୍ରେତ୍ ପ୍ରଂଶ୍ଚ ତ୍ୱ୍ୟ	I.	
B.	ଅନ୍ତ V-ପ୍ରେତ୍ ସାଇତ ତ୍ୱ୍ୟ	II.	
C.	ବାହ୍ୟ V-ପ୍ରେତ୍ ସାଇତ ତ୍ୱ୍ୟ	III.	
D.	ଅନ୍ତ V-ପ୍ରେତ୍ ପ୍ରଂଶ୍ଚ ତ୍ୱ୍ୟ	IV.	

ନିମ୍ନଲିଖିତ ବିକଳ୍ପ ଗୁଡ଼ିକ ମଧ୍ୟରୁ ଠିକ୍ ଉତ୍ତରକୁ ବାଛ:

1. A-I, B-III, C-II, D-IV
2. A-III, B-IV, C-I, D-II
3. A-II, B-I, C-IV, D-III
4. A-IV, B-II, C-III, D-I

**Options :**

485584138573. 1  
485584138574. 2  
485584138575. 3  
485584138576. 4

**Question Number : 190 Question Id : 48558434645 Question Type : MCQ Option Shuffling : No Is Question Mandatory : No Calculator : None Response Time : N.A Think Time : N.A Minimum Instruction Time : 0**

**Correct Marks : 5 Wrong Marks : 1**

**Question Key Details :**

Key	Value
Comprehension	MCQ

Match List I with List II

LIST I		LIST II	
A.	Turnbuckle Joint	I.	Journal Bearing
B.	Flange Joint	II.	Square Rod Joint
C.	Bush Bearing	III.	Pipe Joint
D.	Gib and Cotter Joint	IV.	Tie-rod Joint

Choose the **correct** answer from the options given below:

1. A-IV, B-III, C-I, D-II
2. A-I, B-II, C-III, D-IV
3. A-II, B-III, C-IV, D-I
4. A-III, B-II, C-IV, D-I

**Options :**

485584138577. 1  
485584138578. 2  
485584138579. 3  
485584138580. 4

**Question Number : 190 Question Id : 48558434645 Question Type : MCQ Option Shuffling : No Is Question Mandatory : No Calculator : None Response Time : N.A Think Time : N.A Minimum Instruction Time : 0**

**Correct Marks : 5 Wrong Marks : 1**

**Question Key Details :**

Key	Value
Comprehension	MCQ

ତାଲିକା-I ସହିତ ତାଲିକା-IIକୁ ମିଳାଅ

ତାଲିକା-I		ତାଲିକା-II	
A.	ଟର୍ଣ୍ଣ ବକଳ ଜ୍ୟାଣ୍ଟ	I.	ଜର୍ଣ୍ଣାଲ ବିଅରିଂ
B.	ଫ୍ଲାଞ୍ଜ ଜ୍ୟାଣ୍ଟ	II.	ବର୍ଗ ରଡ ଜ୍ୟାଣ୍ଟ
C.	ବୁଶ ବିଅରିଂ	III.	ପାଇପ ଜ୍ୟାଣ୍ଟ
D.	ଗିବ ଏବଂ କଟ୍ଟର ଜ୍ୟାଣ୍ଟ	IV.	ରାଇ ରଡ ଜ୍ୟାଣ୍ଟ

ନିମ୍ନଲିଖିତ ବିକଳ୍ପ ଗୁଡ଼ିକ ମଧ୍ୟରୁ ଠିକ୍ ଉତ୍ତରକୁ ବାଛ:

1. A-IV, B-III, C-I, D-II
2. A-I, B-II, C-III, D-IV
3. A-II, B-III, C-IV, D-I
4. A-III, B-II, C-IV, D-I

**Options :**

485584138577. 1  
485584138578. 2

485584138579. 3

485584138580. 4

Sub-Section Number :

2

Sub-Section Id :

4855842534

Question Shuffling Allowed :

No

Is Section Default? :

null

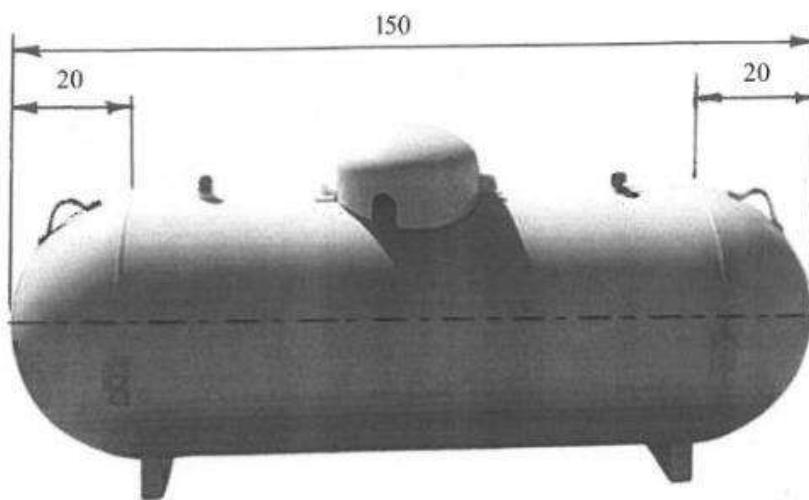
Question Number : 191 Question Id : 48558434646 Question Type : MCQ Option Shuffling : No Is Question Mandatory : No Calculator : None Response Time : N.A Think Time : N.A Minimum Instruction Time : 0

Correct Marks : 5 Wrong Marks : 1

Question Key Details :

Key	Value
Comprehension	Comp1

Read the passage and answer the following question.



Rohan during his industrial visit saw a storage tank which is a combination of different solids he had studied in his class. For preparing his industrial visit report, he clicked pictures and measured dimensions of the tank and other machine parts in the industry. One such picture from his report is shown here (dimensions given are in meters). Ignore the thickness, stands, opening and other branches of the tank and answer the following questions.

The storage tank is the combination of \_\_\_\_\_.

1. two spheres and one cylinder
2. two hemispheres and one cylinder
3. one hemisphere and one cylinder
4. two cones and one cylinder

Options :

485584138581. 1

485584138582. 2

485584138583. 3

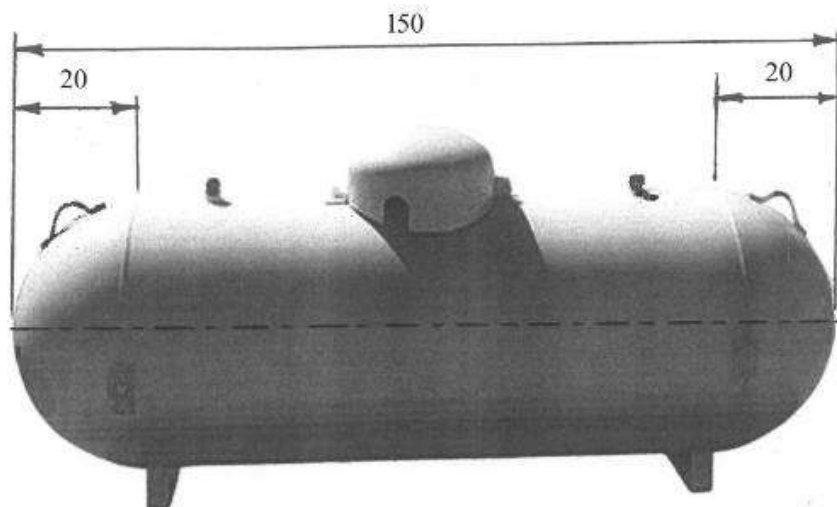
485584138584. 4

Question Number : 191 Question Id : 48558434646 Question Type : MCQ Option Shuffling : No Is Question Mandatory : No Calculator : None Response Time : N.A Think Time : N.A Minimum Instruction Time : 0

Correct Marks : 5 Wrong Marks : 1

Question Key Details :

Key	Value
Comprehension	Comp1



ରୋହନ ଔଦ୍ୟୋଗିକ ଉତ୍ପାଦନରେ ଷ୍ଟୋରେଜ ଟାଙ୍କି ଦେଖିଲା, ଯାହା ସେ କ୍ଲାସରେ ପଢ଼ିଥିଲା ତଥା ସେଥିରେ ବିଭିନ୍ନ ସଲିଡର ବିନ୍ୟାସ ଥିଲା । ରିପୋର୍ଟ ପ୍ରସ୍ତୁତି ପାଇଁ ସେ ଚିତ୍ର ନେଲା ଏବଂ ଟାଙ୍କି ତଥା ଅନ୍ୟ ମେସିନର ମାପ ନେଲା । ସେଥିରୁ ଏକ ଚିତ୍ର ଏଠି ପ୍ରଦର୍ଶିତ (ଭାଇମେନସନ ମିଟରରେ) ମୋଟେଇ, ଷ୍ଟାଣ୍ଡ, ଓପନିଂକୁ ଗୌଣ ମନେ କରି ଉତ୍ତର ଦିଅ ।

ଷ୍ଟୋରେଜ ଟାଙ୍କି ସମାହାର ଅଟେ \_\_\_\_\_

1. ଦୁଇଟି ଗୋଲକ ଏବଂ ଏକ ସିଲିଣ୍ଡରର
2. ଦୁଇଟି ଅର୍ଦ୍ଧ ଗୋଲକ ଏବଂ ଏକ ସିଲିଣ୍ଡରର
3. ଏକ ଅର୍ଦ୍ଧ ଗୋଲକ ଏବଂ ଏକ ସିଲିଣ୍ଡରର
4. ଦୁଇ କୋନ ଏବଂ ଏକ ସିଲିଣ୍ଡରର

Options :

- 485584138581. 1
- 485584138582. 2
- 485584138583. 3
- 485584138584. 4

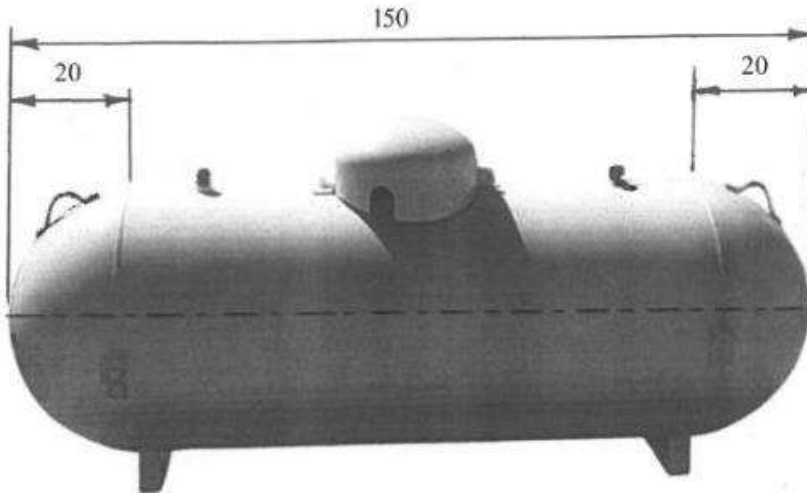
Question Number : 192 Question Id : 48558434647 Question Type : MCQ Option Shuffling : No Is Question Mandatory : No Calculator : None Response Time : N.A Think Time : N.A Minimum Instruction Time : 0

Correct Marks : 5 Wrong Marks : 1

Question Key Details :

Key	Value
Comprehension	Comp1

Read the passage and answer the following question.



Rohan during his industrial visit saw a storage tank which is a combination of different solids he had studied in his class. For preparing his industrial visit report, he clicked pictures and measured dimensions of the tank and other machine parts in the industry. One such picture from his report is shown here (dimensions given are in meters). Ignore the thickness, stands, opening and other branches of the tank and answer the following questions.

The axial length of the cylindrical central portion in its isometric projection will be reduced to \_\_\_\_\_ (approximately).

1. 88 meter
2. 110 meter
3. 55 meter
4. 44 meter

**Options :**

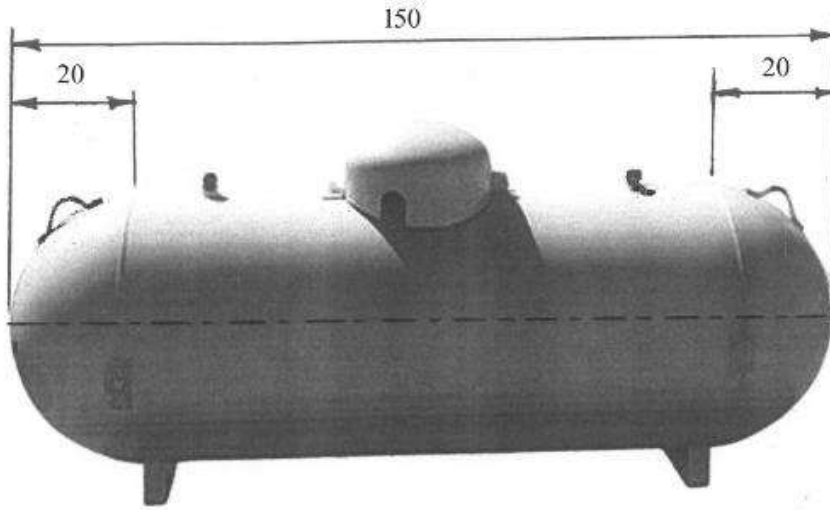
- 485584138585. 1
- 485584138586. 2
- 485584138587. 3
- 485584138588. 4

**Question Number : 192 Question Id : 48558434647 Question Type : MCQ Option Shuffling : No Is Question Mandatory : No Calculator : None Response Time : N.A Think Time : N.A Minimum Instruction Time : 0**

**Correct Marks : 5 Wrong Marks : 1**

**Question Key Details :**

Key	Value
Comprehension	Comp1



ରୋହନ ଔଦ୍ୟୋଗିକ ଭ୍ରମଣରେ ଷ୍ଟୋରେଜ ଟାଙ୍କି ଦେଖିଲା, ଯାହା ସେ କ୍ଲାସରେ ପଢ଼ିଥିଲା ତଥା ସେଥିରେ ବିଭିନ୍ନ ସଲିଡର ବିନ୍ୟାସ ଥିଲା ।  
ରିପୋର୍ଟ ପ୍ରସ୍ତୁତି ପାଇଁ ସେ ଚିତ୍ର ନେଲା ଏବଂ ଟାଙ୍କି ତଥା ଅନ୍ୟ ମେସିନର ମାପ ନେଲା । ସେଥିରୁ ଏକ ଚିତ୍ର ଏଠି ପ୍ରଦର୍ଶିତ (ଡାଇମେନସନ ମିଟରରେ) ମୋଟେଇ, ଷ୍ଟାଣ୍ଡ, ଓପନିଂକୁ ଗୌଣ ମନେ କରି ଉତ୍ତର ଦିଅ ।

ଆଇସୋମେଟ୍ରିକ ପ୍ରୋଜେକ୍ଟରେ ମଧ୍ୟସ୍ଥ ସଲିଡର ଭାଗର ଅକ୍ଷ ଲମ୍ବ \_\_\_\_\_ କୁ କମିଯିବ ।

1. 88 meters
2. 110 meters
3. 55 meters
4. 44 meters

**Options :**

- 485584138585. 1
- 485584138586. 2
- 485584138587. 3
- 485584138588. 4

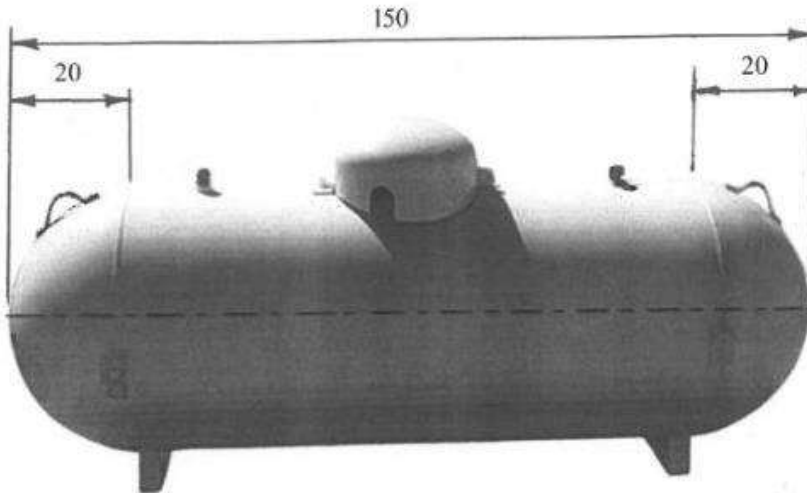
**Question Number : 193 Question Id : 48558434648 Question Type : MCQ Option Shuffling : No Is Question Mandatory : No Calculator : None Response Time : N.A Think Time : N.A Minimum Instruction Time : 0**

**Correct Marks : 5 Wrong Marks : 1**

**Question Key Details :**

Key	Value
Comprehension	Comp1

Read the passage and answer the following question.



Rohan during his industrial visit saw a storage tank which is a combination of different solids he had studied in his class. For preparing his industrial visit report, he clicked pictures and measured dimensions of the tank and other machine parts in the industry. One such picture from his report is shown here (dimensions given are in meters). Ignore the thickness, stands, opening and other branches of the tank and answer the following questions.

In the side view of the tank, the diameter of the circle is \_\_\_\_\_.

1. 20 meter
2. 75 meter
3. 40 meter
4. 55 meter

**Options :**

485584138589. 1  
485584138590. 2  
485584138591. 3  
485584138592. 4

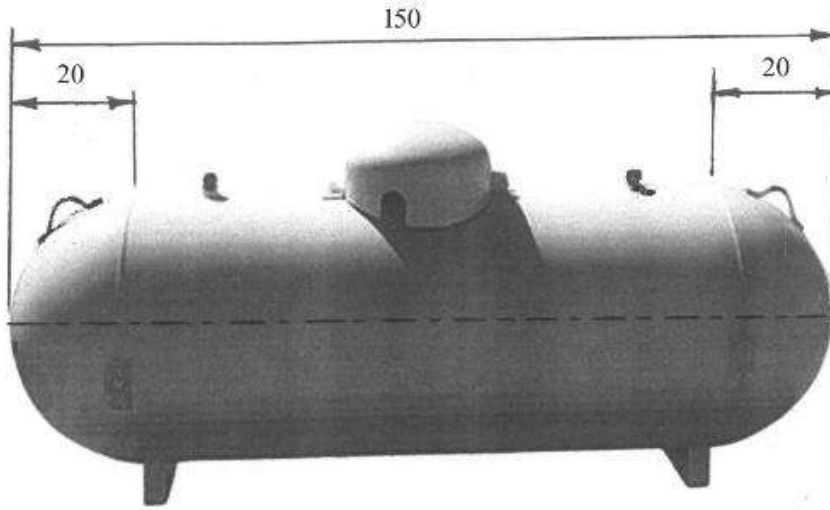
**Question Number : 193 Question Id : 48558434648 Question Type : MCQ Option Shuffling : No Is Question Mandatory : No Calculator : None Response Time : N.A Think Time : N.A Minimum Instruction Time : 0**

**Correct Marks : 5 Wrong Marks : 1**

**Question Key Details :**

Key	Value
Comprehension	Comp1





ରୋହନ ଔଦ୍ୟୋଗିକ ଭ୍ରମଣରେ ଷ୍ଟୋରେଜ ଟାଙ୍କି ଦେଖିଲା, ଯାହା ସେ କ୍ଲାସରେ ପଢ଼ିଥିଲା ତଥା ସେଥିରେ ବିଭିନ୍ନ ସଲିଡର ବିନ୍ୟାସ ଥିଲା । ରିପୋର୍ଟ ପ୍ରସ୍ତୁତି ପାଇଁ ସେ ଚିତ୍ର ନେଲା ଏବଂ ଟାଙ୍କି ତଥା ଅନ୍ୟ ମେସିନର ମାପ ନେଲା । ସେଥିରୁ ଏକ ଚିତ୍ର ଏଠି ପ୍ରଦର୍ଶିତ (ଡାଇମେନସନ ମିଟରରେ) ମୋଟେଇ, ଷ୍ଟାଣ୍ଡ, ଓପନିଂକୁ ଗୌଣ ମନେ କରି ଉତ୍ତର ଦିଅ ।

ଟାଙ୍କିର ସାଇଡ ଭ୍ୟୁରେ, ବୃତ୍ତର ବ୍ୟାସ:

1. 20 meters
2. 75 meters
3. 40 meters
4. 55 meters

**Options :**

485584138589. 1  
 485584138590. 2  
 485584138591. 3  
 485584138592. 4

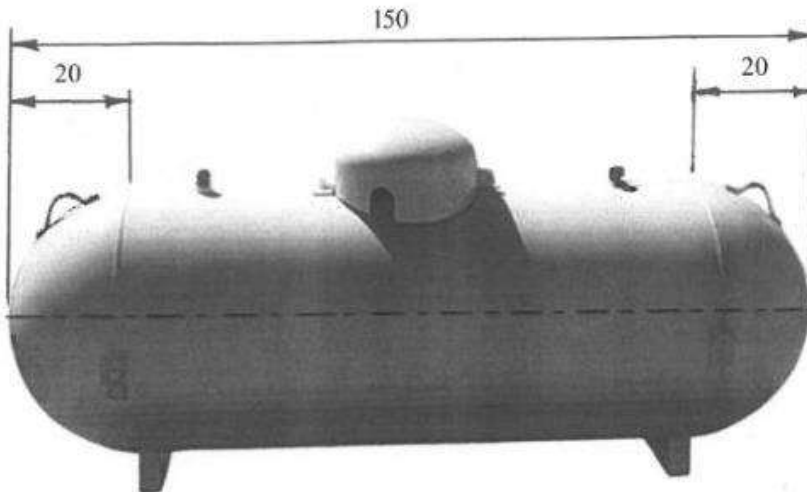
**Question Number : 194 Question Id : 48558434649 Question Type : MCQ Option Shuffling : No Is Question Mandatory : No Calculator : None Response Time : N.A Think Time : N.A Minimum Instruction Time : 0**

**Correct Marks : 5 Wrong Marks : 1**

**Question Key Details :**

Key	Value
Comprehension	Comp1

Read the passage and answer the following question.



Rohan during his industrial visit saw a storage tank which is a combination of different solids he had studied in his class. For preparing his industrial visit report, he clicked pictures and measured dimensions of the tank and other machine parts in the industry. One such picture from his report is shown here (dimensions given are in meters). Ignore the thickness, stands, opening and other branches of the tank and answer the following questions.

According to the shown picture, choose a statement regarding the axis of the tank, which is **not possible** at all.

1. it is parallel to V.P.
2. it is parallel to H.P.
3. it is perpendicular to V.P.
4. it is perpendicular to H.P.

**Options :**

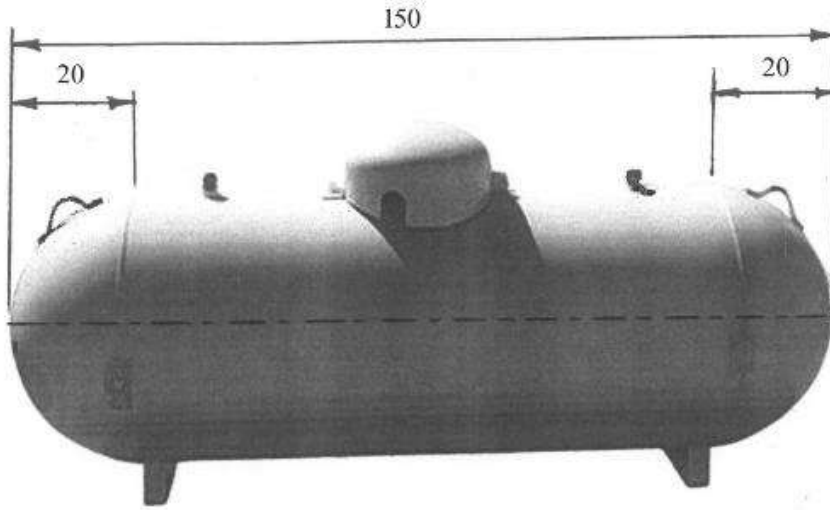
- 485584138593. 1
- 485584138594. 2
- 485584138595. 3
- 485584138596. 4

**Question Number : 194 Question Id : 48558434649 Question Type : MCQ Option Shuffling : No Is Question Mandatory : No Calculator : None Response Time : N.A Think Time : N.A Minimum Instruction Time : 0**

**Correct Marks : 5 Wrong Marks : 1**

**Question Key Details :**

Key	Value
Comprehension	Comp1



ରୋହନ ଔଦ୍ୟୋଗିକ ଭ୍ରମଣରେ ଷ୍ଟୋରେଜ ଟାଙ୍କି ଦେଖିଲା, ଯାହା ସେ କ୍ଲାସରେ ପଢ଼ିଥିଲା ତଥା ସେଥିରେ ବିଭିନ୍ନ ସଲିଡର ବିନ୍ୟାସ ଥିଲା । ରିପୋର୍ଟ ପ୍ରସ୍ତୁତି ପାଇଁ ସେ ଚିତ୍ର ନେଲା ଏବଂ ଟାଙ୍କି ତଥା ଅନ୍ୟ ମେସିନର ମାପ ନେଲା । ସେଥିରୁ ଏକ ଚିତ୍ର ଏଠି ପ୍ରଦର୍ଶିତ (ଡାଇମେନସନ ମିଟରରେ) ମୋଟେଇ, ଷ୍ଟାଣ୍ଡ, ଓପନିଂକୁ ଗୌଣ ମନେ କରି ଉତ୍ତର ଦିଅ ।

ଚିତ୍ର ଅନୁଯାୟୀ, ଟାଙ୍କି ଅକ୍ଷର ସମ୍ବନ୍ଧରେ କେଉଁଟି ଆବୌ ସମ୍ବନ୍ଧ ରୁହେଁ?

1. ଏହା V.P ସହ ସମାନ୍ତର ।
2. ଏହା H.P ସହ ସମାନ୍ତର ।
3. ଏହା V.P ଠାରୁ ଲମ୍ବବତ୍ ।
4. ଏହା H.P ଠାରୁ ଲମ୍ବବତ୍ ।

**Options :**

485584138593. 1  
 485584138594. 2  
 485584138595. 3  
 485584138596. 4

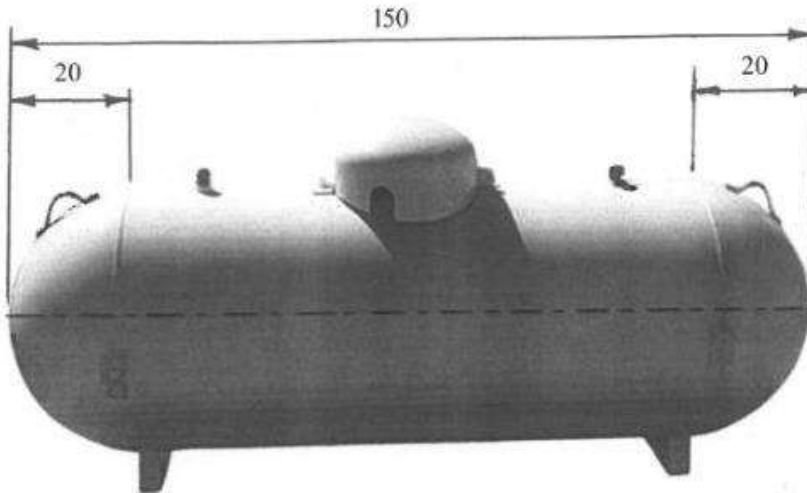
**Question Number : 195 Question Id : 48558434650 Question Type : MCQ Option Shuffling : No Is Question Mandatory : No Calculator : None Response Time : N.A Think Time : N.A Minimum Instruction Time : 0**

**Correct Marks : 5 Wrong Marks : 1**

**Question Key Details :**

Key	Value
Comprehension	Comp1

Read the passage and answer the following question.



Rohan during his industrial visit saw a storage tank which is a combination of different solids he had studied in his class. For preparing his industrial visit report, he clicked pictures and measured dimensions of the tank and other machine parts in the industry. One such picture from his report is shown here (dimensions given are in meters). Ignore the thickness, stands, opening and other branches of the tank and answer the following questions.

The 2D figure required for drawing isometric projection of this tank is \_\_\_\_\_.

1. Ellipse
2. Pentagon
3. Hexagon
4. Triangle

**Options :**

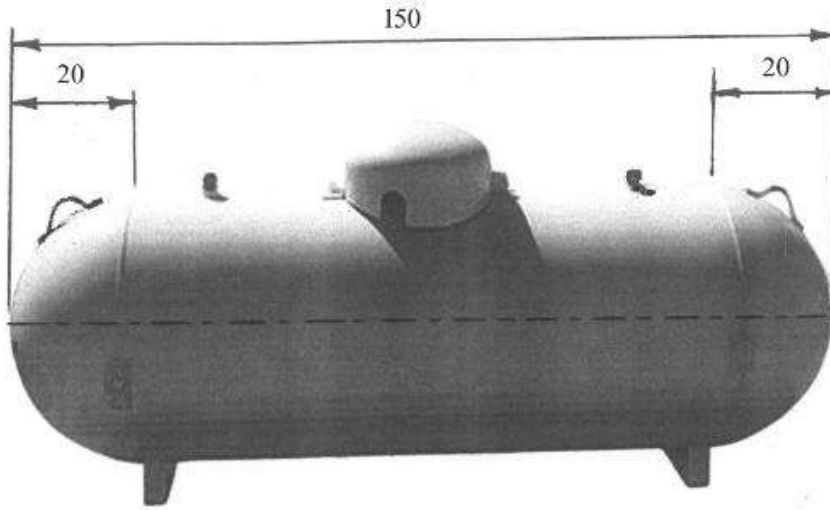
- 485584138597. 1
- 485584138598. 2
- 485584138599. 3
- 485584138600. 4

**Question Number : 195 Question Id : 48558434650 Question Type : MCQ Option Shuffling : No Is Question Mandatory : No Calculator : None Response Time : N.A Think Time : N.A Minimum Instruction Time : 0**

**Correct Marks : 5 Wrong Marks : 1**

**Question Key Details :**

Key	Value
Comprehension	Comp1



ରୋହନ ଔଦ୍ୟୋଗିକ ଭ୍ରମଣରେ ଷ୍ଟୋରେଜ ଟାଙ୍କ ଦେଖିଲା, ଯାହା ସେ କ୍ଲାସରେ ପଢ଼ିଥିଲା ତଥା ସେଥିରେ ବିଭିନ୍ନ ସଲିଡର ବିନ୍ୟାସ ଥିଲା ।  
 ରିପୋର୍ଟ ପ୍ରସ୍ତୁତି ପାଇଁ ସେ ଚିତ୍ର ନେଲା ଏବଂ ଟାଙ୍କ ତଥା ଅନ୍ୟ ମେସିନର ମାପ ନେଲା । ସେଥିରୁ ଏକ ଚିତ୍ର ଏଠି ପ୍ରଦର୍ଶିତ (ଡାଇମେନସନ  
 ମିଟରରେ) ମୋଟେଇ, ଷ୍ଟାଣ୍ଡ, ଓପନିଂକୁ ଗୌଣ ମନେ କରି ଉତ୍ତର ଦିଅ ।

ଏହି ଟାଙ୍କ ପାଇଁ ଆଇସୋମେଟ୍ରିକ ପ୍ରୋଜେକ୍ସନ ଟାଣିବା ଲାଗି ଆବଶ୍ୟକ 2D ଚିତ୍ର ହେଲା:

1. ଦୀର୍ଘବୃତ୍ତ
2. ପଞ୍ଚଭୁଜ
3. ଷଡ଼ଭୁଜ
4. ତ୍ରିଭୁଜ

**Options :**

- 485584138597. 1
- 485584138598. 2
- 485584138599. 3
- 485584138600. 4

**Sub-Section Number :** 3  
**Sub-Section Id :** 4855842535  
**Question Shuffling Allowed :** No  
**Is Section Default? :** null

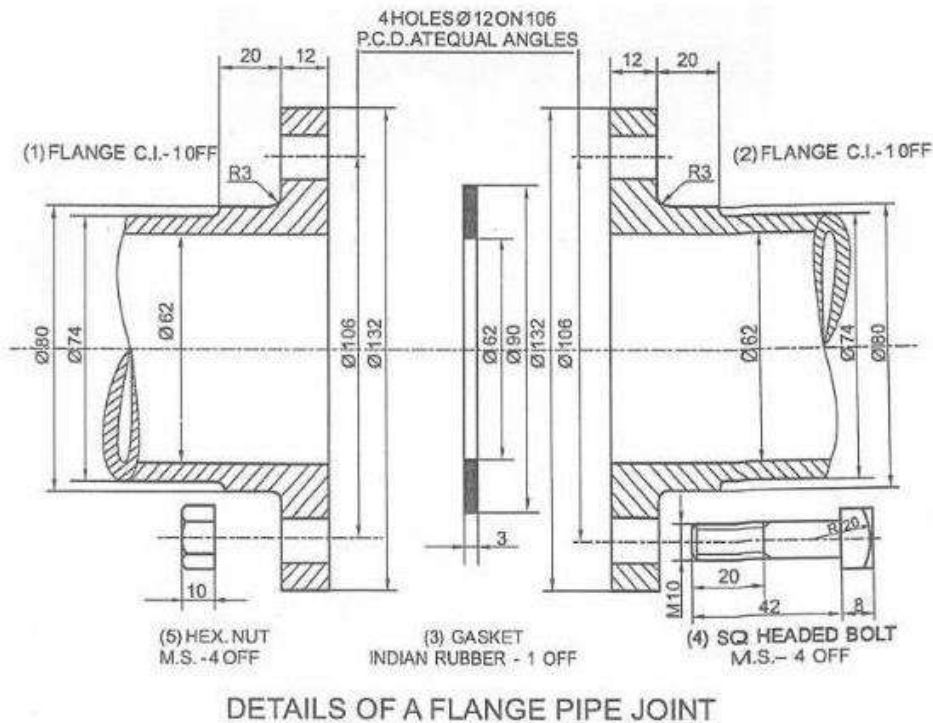
**Question Number : 196 Question Id : 48558434651 Question Type : MCQ Option Shuffling : No Is Question Mandatory :  
 No Calculator : None Response Time : N.A Think Time : N.A Minimum Instruction Time : 0**

**Correct Marks : 5 Wrong Marks : 1**

**Question Key Details :**

Key	Value
Comprehension	Comp2

The given figure shows the disassembled part of a Flange Pipe Joint. Answer the following question based on this drawing:



\_\_\_\_\_ is the inner diameter of the Pipe from which liquid / gas has to flow.

1. 62 mm
2. 90 mm
3. 74 mm
4. 80 mm

**Options :**

- 485584138601. 1
- 485584138602. 2
- 485584138603. 3
- 485584138604. 4

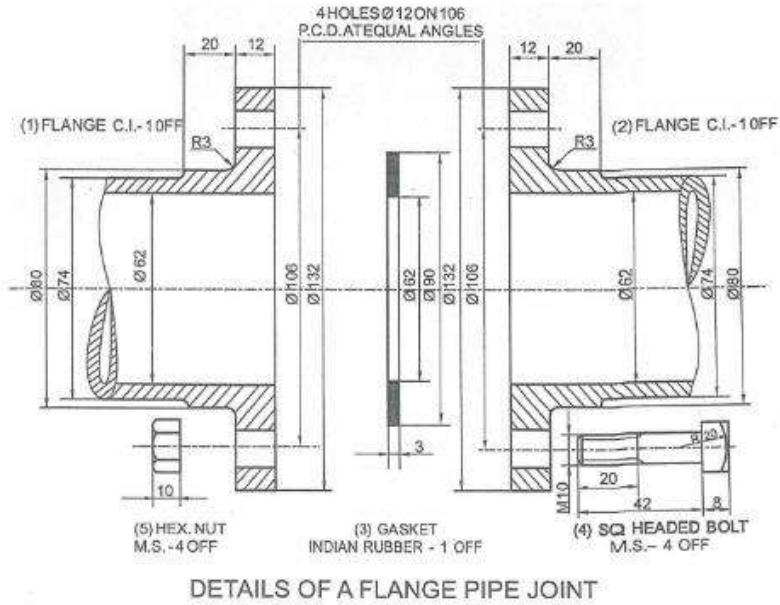
**Question Number : 196 Question Id : 48558434651 Question Type : MCQ Option Shuffling : No Is Question Mandatory : No Calculator : None Response Time : N.A Think Time : N.A Minimum Instruction Time : 0**

**Correct Marks : 5 Wrong Marks : 1**

**Question Key Details :**

Key	Value
Comprehension	Comp2

ଚିତ୍ରରେ ଘୂଙ୍ଗ ପାଇପ ଜଏଣ୍ଟର ବିଭିନ୍ନ ଭାଗ ସ୍ୱତନ୍ତ୍ର ଭାବେ ପ୍ରଦର୍ଶିତ । ଏହି ଚିତ୍ର ଅନୁସାରେ ଉତ୍ତର ଦିଅ ।



ପାଇପର ଅନ୍ତ ବ୍ୟାସ \_\_\_\_\_ mm ଯାହା ଦେଇ ତରଳ/ଗ୍ୟାସ ପ୍ରବାହିତ ହେବ ।

1. 62
2. 90
3. 74
4. 80

**Options :**

- 485584138601. 1
- 485584138602. 2
- 485584138603. 3
- 485584138604. 4

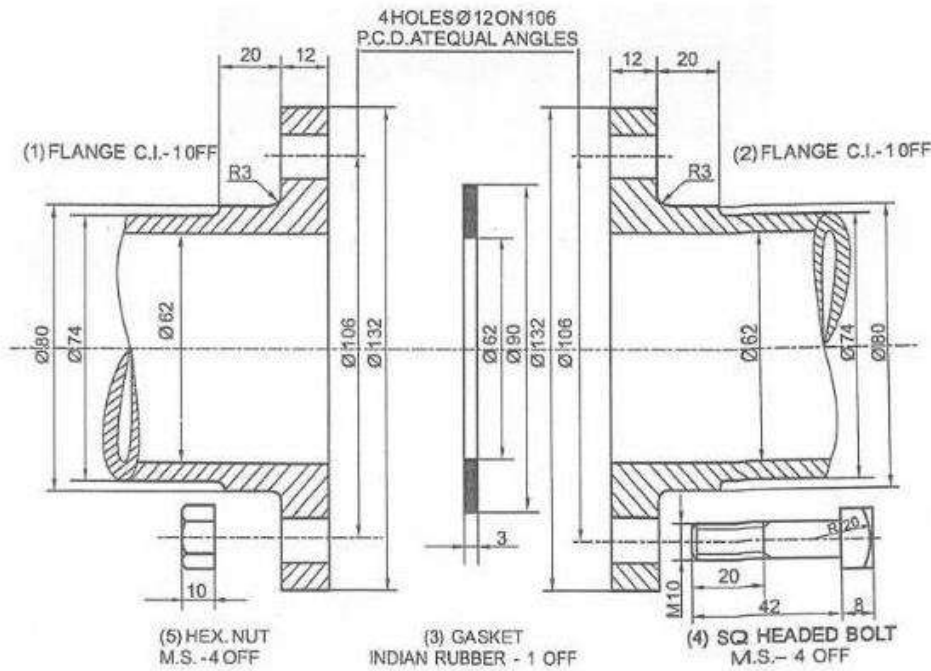
**Question Number : 197 Question Id : 48558434652 Question Type : MCQ Option Shuffling : No Is Question Mandatory : No Calculator : None Response Time : N.A Think Time : N.A Minimum Instruction Time : 0**

**Correct Marks : 5 Wrong Marks : 1**

**Question Key Details :**

Key	Value
Comprehension	Comp2

The given figure shows the disassembled part of a Flange Pipe Joint. Answer the following question based on this drawing:



DETAILS OF A FLANGE PIPE JOINT

Choose the **correct** statement for the Flange:

1. It is a projected semicircular rim.
2. It is made thinner than pipe-walls.
3. It attaches to a shaft.
4. It serves to hold the pipe in place.

**Options :**

- 485584138605. 1
- 485584138606. 2
- 485584138607. 3
- 485584138608. 4

Question Number : 197 Question Id : 48558434652 Question Type : MCQ Option Shuffling : No Is Question Mandatory : No Calculator : None Response Time : N.A Think Time : N.A Minimum Instruction Time : 0

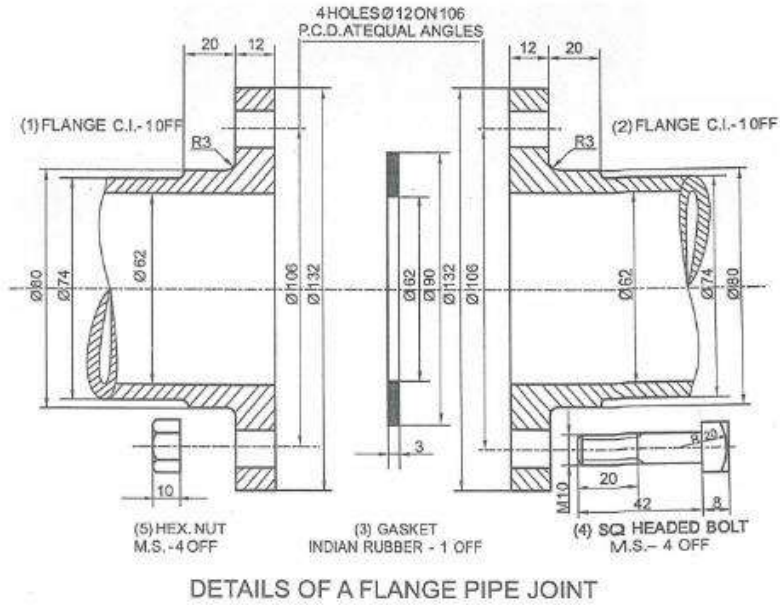
Correct Marks : 5 Wrong Marks : 1

Question Key Details :

Key	Value
Comprehension	Comp2



ଚିତ୍ରରେ ଫ୍ଲାଙ୍ଗ ପାଇପ ଜଏଣ୍ଟର ବିଭିନ୍ନ ଭାଗ ସ୍ୱତନ୍ତ୍ର ଭାବେ ପ୍ରଦର୍ଶିତ । ଏହି ଚିତ୍ର ଅନୁସାରେ ଭରଣ ଦିଅ ।



ଫ୍ଲାଙ୍ଗ ସମ୍ବନ୍ଧରେ ସଠିକ କଥା ହେଲା:

1. ଏହା ଏକ ପ୍ରୋଜେକ୍ଟିଭ ଅର୍ଦ୍ଧବୃତ୍ତ ରିମ
2. ଏହା ପାଇପ ଖାଲ ତୁଳନାରେ ପତଳା
3. ଏହା ସାମ୍ମୁ ସହ ଜଡ଼ିତ
4. ଏହା ପାଇପକୁ ଧରି ରଖିବାରେ ସାହାଯ୍ୟ କରେ

**Options :**

- 485584138605. 1
- 485584138606. 2
- 485584138607. 3
- 485584138608. 4

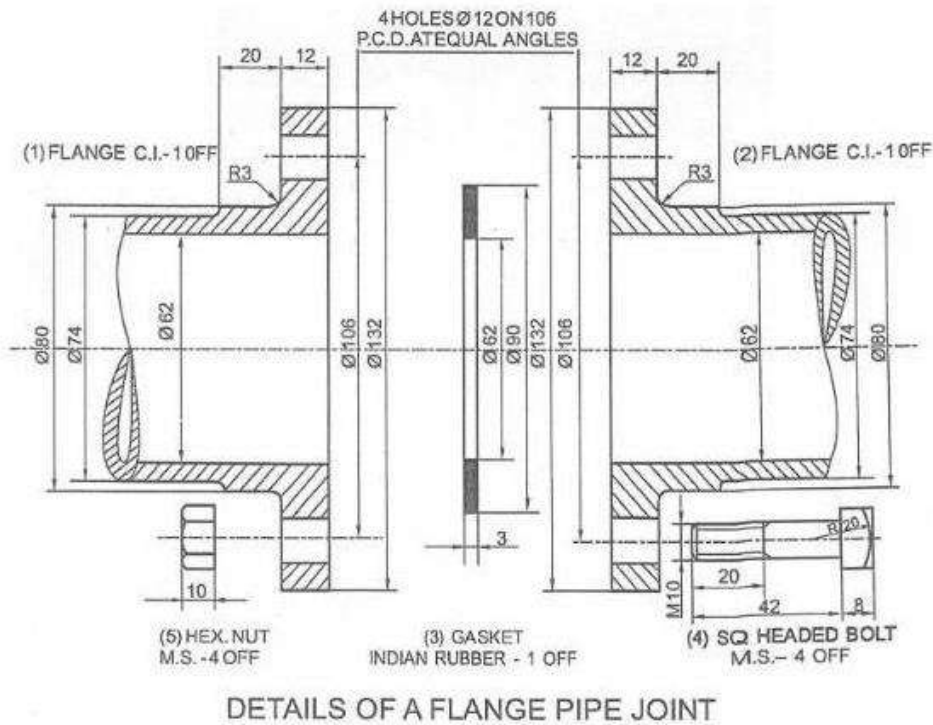
**Question Number : 198 Question Id : 48558434653 Question Type : MCQ Option Shuffling : No Is Question Mandatory : No Calculator : None Response Time : N.A Think Time : N.A Minimum Instruction Time : 0**

**Correct Marks : 5 Wrong Marks : 1**

**Question Key Details :**

Key	Value
Comprehension	Comp2

The given figure shows the disassembled part of a Flange Pipe Joint. Answer the following question based on this drawing:



External diameter of the rubber Gasket is:

1. 132 mm
2. 62 mm
3. 74 mm
4. 90 mm

**Options :**

- 485584138609. 1
- 485584138610. 2
- 485584138611. 3
- 485584138612. 4

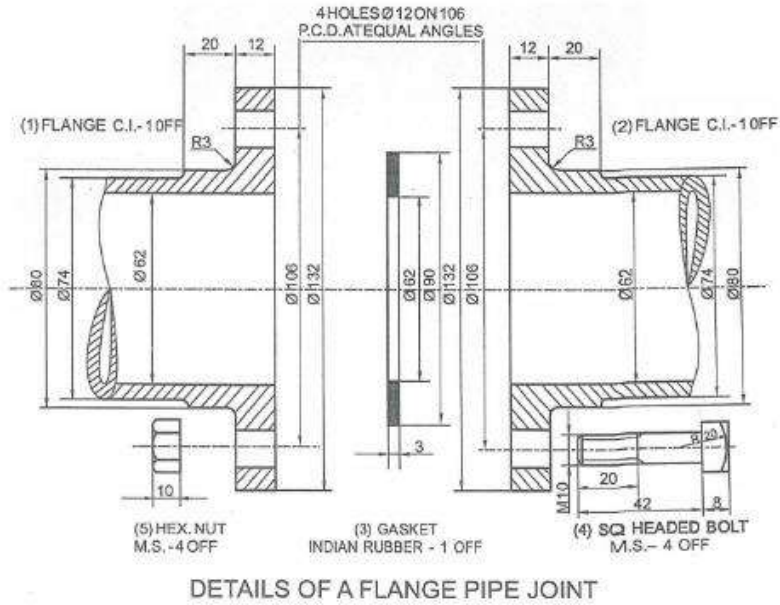
**Question Number : 198 Question Id : 48558434653 Question Type : MCQ Option Shuffling : No Is Question Mandatory : No Calculator : None Response Time : N.A Think Time : N.A Minimum Instruction Time : 0**

**Correct Marks : 5 Wrong Marks : 1**

**Question Key Details :**

Key	Value
Comprehension	Comp2

ଚିତ୍ରରେ ଫ୍ଲାଙ୍ଗ ପାଇପ ଜଏଣ୍ଟର ବିଭିନ୍ନ ଭାଗ ସ୍ୱତନ୍ତ୍ର ଭାବେ ପ୍ରଦର୍ଶିତ । ଏହି ଚିତ୍ର ଅନୁସାରେ ଭରଣ ଦିଅ ।



ଉତ୍ତର ଗ୍ୟାଙ୍ଗେଟର ବାହ୍ୟ ବ୍ୟାସ ହେଲା:

1. 132 mm
2. 62 mm
3. 74 mm
4. 90 mm

Options :

- 485584138609. 1
- 485584138610. 2
- 485584138611. 3
- 485584138612. 4

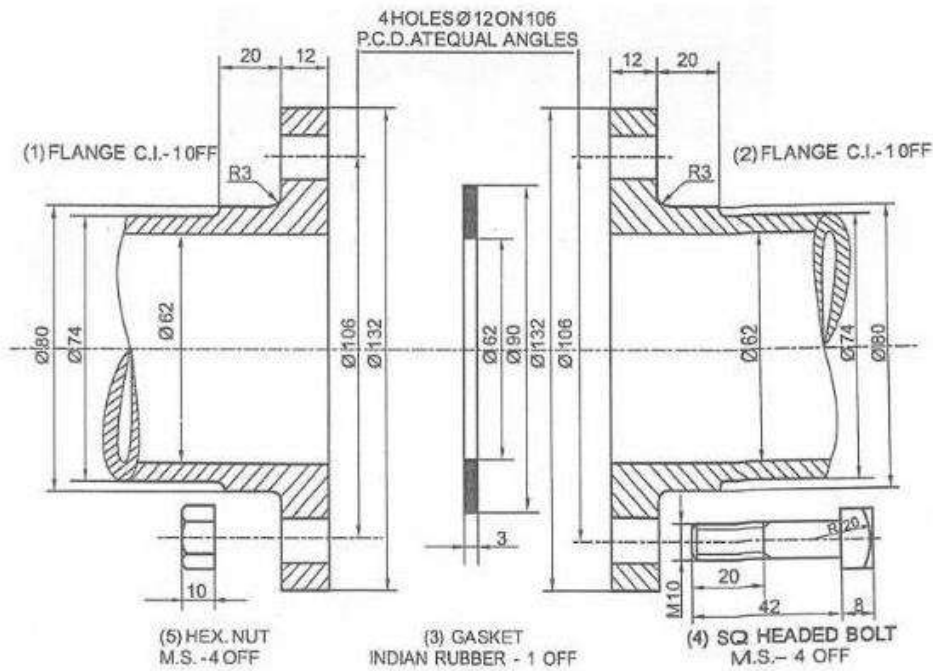
Question Number : 199 Question Id : 48558434654 Question Type : MCQ Option Shuffling : No Is Question Mandatory : No Calculator : None Response Time : N.A Think Time : N.A Minimum Instruction Time : 0

Correct Marks : 5 Wrong Marks : 1

Question Key Details :

Key	Value
Comprehension	Comp2

The given figure shows the disassembled part of a Flange Pipe Joint. Answer the following question based on this drawing:



DETAILS OF A FLANGE PIPE JOINT

C.I. stands for :

1. Closed Interior
2. Crest Index
3. Cast Iron
4. Counter Iron

Options :

- 485584138613. 1
- 485584138614. 2
- 485584138615. 3
- 485584138616. 4

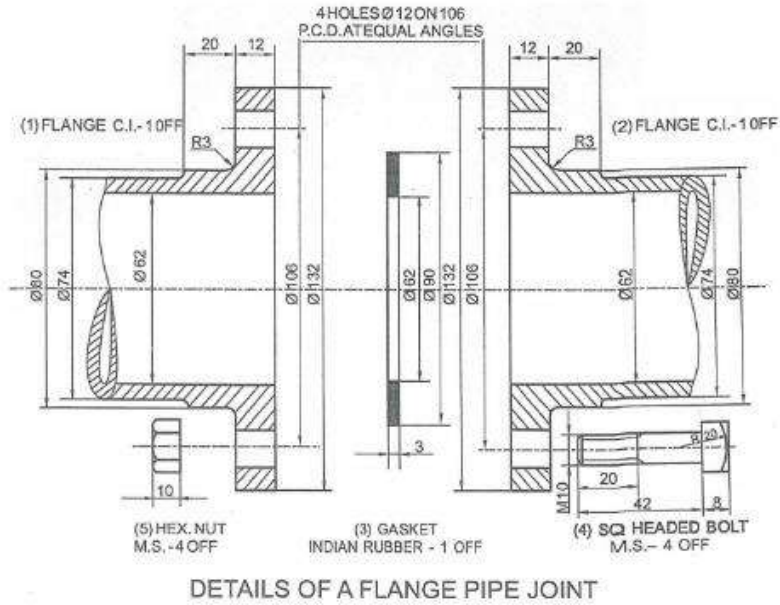
Question Number : 199 Question Id : 48558434654 Question Type : MCQ Option Shuffling : No Is Question Mandatory : No Calculator : None Response Time : N.A Think Time : N.A Minimum Instruction Time : 0

Correct Marks : 5 Wrong Marks : 1

Question Key Details :

Key	Value
Comprehension	Comp2

ଚିତ୍ରରେ ଫ୍ଲାଙ୍ଗ ପାଇପ ଜଏଣ୍ଟର ବିଭିନ୍ନ ଭାଗ ସ୍ୱତନ୍ତ୍ର ଭାବେ ପ୍ରଦର୍ଶିତ । ଏହି ଚିତ୍ର ଅନୁସାରେ ଭରଣ ଦିଅ ।



C.I. ହେଲା:

1. କ୍ଲୋଜଡ଼ ଇଣ୍ଡେରିଆର
2. କ୍ଲୋଜ ଇଣ୍ଡେକ୍ସ
3. କାଷ୍ଟ ଆଇରନ
4. କାଉଣ୍ଟର ଆଇରନ

Options :

- 485584138613. 1
- 485584138614. 2
- 485584138615. 3
- 485584138616. 4

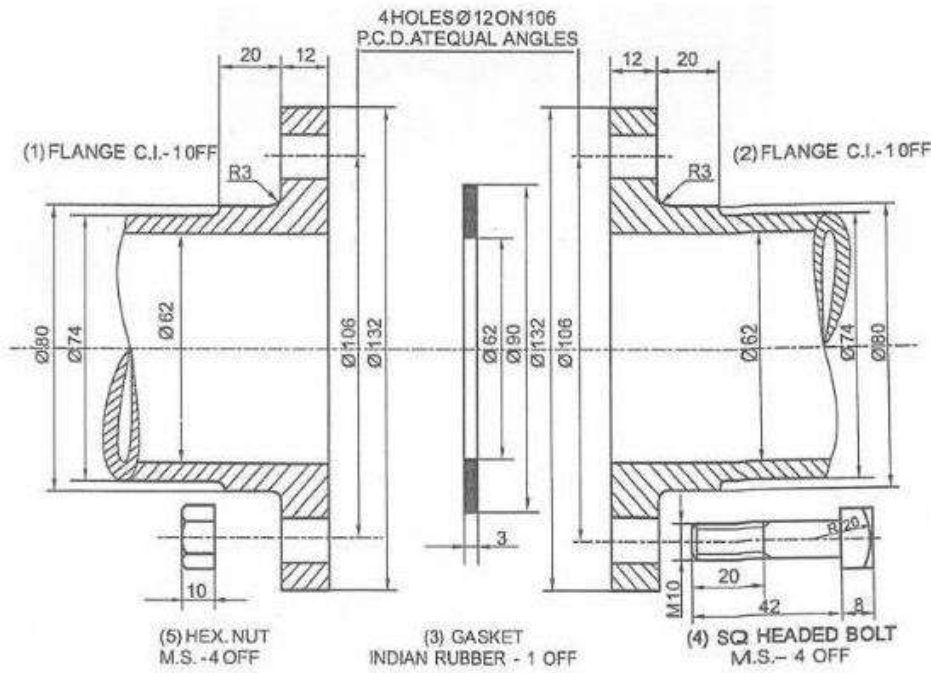
Question Number : 200 Question Id : 48558434655 Question Type : MCQ Option Shuffling : No Is Question Mandatory : No Calculator : None Response Time : N.A Think Time : N.A Minimum Instruction Time : 0

Correct Marks : 5 Wrong Marks : 1

Question Key Details :

Key	Value
Comprehension	Comp2

The given figure shows the disassembled part of a Flange Pipe Joint. Answer the following question based on this drawing:



DETAILS OF A FLANGE PIPE JOINT

The thickness of pipe walls can be increased when \_\_\_\_\_.

1. pressure is low
2. pressure is high
3. length of pipe has to be increased
4. length of pipe has to be decreased

**Options :**

- 485584138617. 1
- 485584138618. 2
- 485584138619. 3
- 485584138620. 4

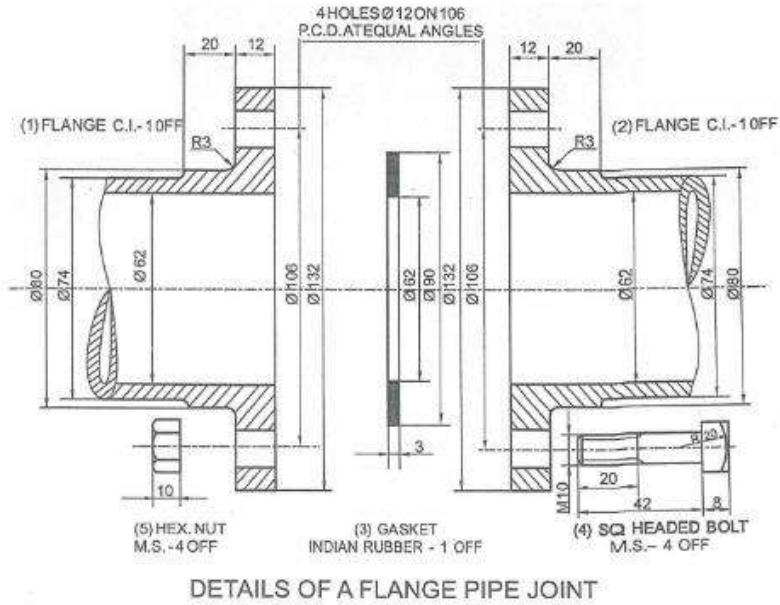
Question Number : 200 Question Id : 48558434655 Question Type : MCQ Option Shuffling : No Is Question Mandatory : No Calculator : None Response Time : N.A Think Time : N.A Minimum Instruction Time : 0

Correct Marks : 5 Wrong Marks : 1

**Question Key Details :**

Key	Value
Comprehension	Comp2

ଚିତ୍ରରେ ଫ୍ଲାଙ୍ଗ ପାଇପ ଜଏଣ୍ଟର ବିଭିନ୍ନ ଭାଗ ସ୍ୱତନ୍ତ୍ର ଭାବେ ପ୍ରଦର୍ଶିତ । ଏହି ଚିତ୍ର ଅନୁସାରେ ଭରଣ ଦିଅ ।



ପାଇପ ଖାଲର ମୋଟେଇ ବୃଦ୍ଧି କରିହେବ ଯେବେ \_\_\_\_\_

1. ଚାପ କମ ହେବ ।
2. ଚାପ ଅଧିକ ହେବ ।
3. ପାଇପର ଲମ୍ବ ବୃଦ୍ଧି କରାଯିବ ।
4. ପାଇପର ଲମ୍ବ ହ୍ରାସ କରାଯିବ ।

**Options :**

- 485584138617. 1
- 485584138618. 2
- 485584138619. 3
- 485584138620. 4

**Geography**

<b>Group Number :</b>	9
<b>Group Id :</b>	485584776
<b>Group Maximum Duration :</b>	45
<b>Group Minimum Duration :</b>	45
<b>Show Attended Group? :</b>	No
<b>Edit Attended Group? :</b>	No
<b>Break time :</b>	0
<b>Group Marks :</b>	200
<b>Is this Group for Examiner? :</b>	No
<b>Examiner permission :</b>	Cant View
<b>Show Progress Bar? :</b>	No

## Geography

Section Id :	485584894
Section Number :	1
Section type :	Online
Mandatory or Optional :	Mandatory
Number of Questions :	50
Number of Questions to be attempted :	40
Section Marks :	200
Enable Mark as Answered Mark for Review and Clear Response :	Yes
Maximum Instruction Time :	0
Sub-Section Number :	1
Sub-Section Id :	4855842536
Question Shuffling Allowed :	Yes
Is Section Default? :	null

Question Number : 201 Question Id : 48558434056 Question Type : MCQ Option Shuffling : No Is Question Mandatory : No Calculator : None Response Time : N.A Think Time : N.A Minimum Instruction Time : 0

Correct Marks : 5 Wrong Marks : 1

Question Key Details :

Key	Value
Comprehension	MCQ

The concept neither there is a situation of absolute necessity nor absolute freedom is called :

1. Environmentalism
2. Probablism
3. Possibilism
4. Neo-determinism

Options :

- 485584136221. 1
- 485584136222. 2
- 485584136223. 3
- 485584136224. 4

Question Number : 202 Question Id : 48558434057 Question Type : MCQ Option Shuffling : No Is Question Mandatory : No Calculator : None Response Time : N.A Think Time : N.A Minimum Instruction Time : 0

Correct Marks : 5 Wrong Marks : 1

Question Key Details :

Key	Value
Comprehension	MCQ



Radical school approach in human geography is related to \_\_\_\_\_.

1. encyclo paetic description of the area
2. indentifying the Uniqueness of any region
3. indentifying mappable pattern for different human activities
4. explaining the basic cause of poverty and social inequality

**Options :**

- 485584136225. 1
- 485584136226. 2
- 485584136227. 3
- 485584136228. 4

**Question Number : 203 Question Id : 48558434058 Question Type : MCQ Option Shuffling : No Is Question Mandatory : No Calculator : None Response Time : N.A Think Time : N.A Minimum Instruction Time : 0**

**Correct Marks : 5 Wrong Marks : 1**

**Question Key Details :**

Key	Value
Comprehension	MCQ

Discontentment with quantitative revolution did not lead to the emergence of \_\_\_\_\_.

1. Humanistic school of geography
2. Radical Geography
3. Regional Geography
4. Behavioural Geography

**Options :**

- 485584136229. 1
- 485584136230. 2
- 485584136231. 3
- 485584136232. 4

**Question Number : 204 Question Id : 48558434059 Question Type : MCQ Option Shuffling : No Is Question Mandatory : No Calculator : None Response Time : N.A Think Time : N.A Minimum Instruction Time : 0**

**Correct Marks : 5 Wrong Marks : 1**

**Question Key Details :**

Key	Value
Comprehension	MCQ

\_\_\_\_\_ is a sub-field of social Geography.

1. Geography of Leisure
2. Geography of Resources
3. Geography of Tourism
4. Geography to Agriculture

**Options :**

485584136233. 1  
485584136234. 2  
485584136235. 3  
485584136236. 4

**Question Number : 205 Question Id : 48558434060 Question Type : MCQ Option Shuffling : No Is Question Mandatory : No Calculator : None Response Time : N.A Think Time : N.A Minimum Instruction Time : 0**

**Correct Marks : 5 Wrong Marks : 1**

**Question Key Details :**

Key	Value
Comprehension	MCQ

Demographic Transition Theory can be used to describe and predict :

1. People participation in different categories of economic activities
2. Future population of an area
3. Gender based classification of population of an area
4. Working and depend and population of an area

**Options :**

485584136237. 1  
485584136238. 2  
485584136239. 3  
485584136240. 4

**Question Number : 206 Question Id : 48558434061 Question Type : MCQ Option Shuffling : No Is Question Mandatory : No Calculator : None Response Time : N.A Think Time : N.A Minimum Instruction Time : 0**

**Correct Marks : 5 Wrong Marks : 1**

**Question Key Details :**

Key	Value
Comprehension	MCQ

Which programme was introduced by the Government of India to address the issue of decline in child sex ratio?

1. Beti Bachao Beti Padhao
2. Beti Samjhao Beto Padhao
3. Beti Samjhao Beti Bachao
4. Beti Batao Beti Badhao

**Options :**

- 485584136241. 1
- 485584136242. 2
- 485584136243. 3
- 485584136244. 4

**Question Number : 207 Question Id : 48558434062 Question Type : MCQ Option Shuffling : No Is Question Mandatory : No Calculator : None Response Time : N.A Think Time : N.A Minimum Instruction Time : 0**

**Correct Marks : 5 Wrong Marks : 1**

**Question Key Details :**

Key	Value
Comprehension	MCQ

International Labour Organisation (ILO) proposed \_\_\_\_\_ for human development measurement.

1. basic needs approach
2. income approach
3. welfare approach
4. capability approach

**Options :**

- 485584136245. 1
- 485584136246. 2
- 485584136247. 3
- 485584136248. 4

**Question Number : 208 Question Id : 48558434063 Question Type : MCQ Option Shuffling : No Is Question Mandatory : No Calculator : None Response Time : N.A Think Time : N.A Minimum Instruction Time : 0**

**Correct Marks : 5 Wrong Marks : 1**

**Question Key Details :**

Key	Value
Comprehension	MCQ

The process of migration from plain areas to pastures on mountain during summers and again from mountain pastures to plain areas during winter is known as \_\_\_\_\_.

1. immigration
2. migration
3. transhumance
4. emigration

**Options :**

485584136249. 1  
485584136250. 2  
485584136251. 3  
485584136252. 4

**Question Number : 209 Question Id : 48558434064 Question Type : MCQ Option Shuffling : No Is Question Mandatory : No Calculator : None Response Time : N.A Think Time : N.A Minimum Instruction Time : 0**

**Correct Marks : 5 Wrong Marks : 1**

**Question Key Details :**

Key	Value
Comprehension	MCQ

'Chicago-Gary' is a major industrial region of \_\_\_\_\_.

1. Europe
2. Australia
3. Canada
4. United States of America

**Options :**

485584136253. 1  
485584136254. 2  
485584136255. 3  
485584136256. 4

**Question Number : 210 Question Id : 48558434065 Question Type : MCQ Option Shuffling : No Is Question Mandatory : No Calculator : None Response Time : N.A Think Time : N.A Minimum Instruction Time : 0**

**Correct Marks : 5 Wrong Marks : 1**

**Question Key Details :**

Key	Value
Comprehension	MCQ

Which of the following sea route is called as Big Trunk Route ?

1. North Pacific Sea Route
2. Northen Atlantic Sea Route
3. Cape of Good Hope Sea Route
4. Southern Atlantic Sea Route

**Options :**

- 485584136257. 1
- 485584136258. 2
- 485584136259. 3
- 485584136260. 4

**Question Number : 211 Question Id : 48558434066 Question Type : MCQ Option Shuffling : No Is Question Mandatory : No Calculator : None Response Time : N.A Think Time : N.A Minimum Instruction Time : 0**

**Correct Marks : 5 Wrong Marks : 1**

**Question Key Details :**

Key	Value
Comprehension	MCQ

Which of the following country has the highest density of rail network ?

1. Africa
2. Canada
3. Asia
4. Australia

**Options :**

- 485584136261. 1
- 485584136262. 2
- 485584136263. 3
- 485584136264. 4

**Question Number : 212 Question Id : 48558434067 Question Type : MCQ Option Shuffling : No Is Question Mandatory : No Calculator : None Response Time : N.A Think Time : N.A Minimum Instruction Time : 0**

**Correct Marks : 5 Wrong Marks : 1**

**Question Key Details :**

Key	Value
Comprehension	MCQ

The Union of Conurbations is called \_\_\_\_\_.

1. Megopolis
2. Conurbation
3. Metropolitan
4. Million City

**Options :**

485584136265. 1  
485584136266. 2  
485584136267. 3  
485584136268. 4

**Question Number : 213 Question Id : 48558434068 Question Type : MCQ Option Shuffling : No Is Question Mandatory : No Calculator : None Response Time : N.A Think Time : N.A Minimum Instruction Time : 0**

**Correct Marks : 5 Wrong Marks : 1**

**Question Key Details :**

Key	Value
Comprehension	MCQ

Arrange the following regions in ascending order according to growth rate of population (2010-15).

- A. Oceania
- B. Europe
- C. Asia
- D. Africa

Choose the correct answer from the options given below :

1. (B), (C), (A), (D)
2. (B), (A), (C), (D)
3. (B), (D), (A), (C)
4. (A), (B), (C), (D)

**Options :**

485584136269. 1  
485584136270. 2  
485584136271. 3  
485584136272. 4

**Question Number : 214 Question Id : 48558434069 Question Type : MCQ Option Shuffling : No Is Question Mandatory : No Calculator : None Response Time : N.A Think Time : N.A Minimum Instruction Time : 0**

**Correct Marks : 5 Wrong Marks : 1**

**Question Key Details :**

Key	Value
Comprehension	MCQ

Arrange the following stations of Trans Siberian Railway from East to West direction.

- A. Chita
- B. Vladivostak
- C. Moscow
- D. Omsk

Choose the correct answer from the options given below :

1. (A), (B), (C), (D)
2. (B), (A), (D), (C)
3. (B), (A), (C), (D)
4. (A), (B), (C), (D)

**Options :**

- 485584136273. 1
- 485584136274. 2
- 485584136275. 3
- 485584136276. 4

**Question Number : 215 Question Id : 48558434070 Question Type : MCQ Option Shuffling : No Is Question Mandatory : No Calculator : None Response Time : N.A Think Time : N.A Minimum Instruction Time : 0**

**Correct Marks : 5 Wrong Marks : 1**

**Question Key Details :**

Key	Value
Comprehension	MCQ

Arrange the following mega cities of the world in descending order according to population (2016).

- A. Shanghai
- B. Beijing
- C. Sao Paulo
- D. Tokyo

Choose the correct answer from the options given below :

1. (D), (A), (C), (B)
2. (D), (A), (B), (C)
3. (A), (D), (B), (C)
4. (A), (D), (C), (B)

**Options :**

- 485584136277. 1
- 485584136278. 2
- 485584136279. 3
- 485584136280. 4

**Question Number : 216 Question Id : 48558434071 Question Type : MCQ Option Shuffling : No Is Question Mandatory : No Calculator : None Response Time : N.A Think Time : N.A Minimum Instruction Time : 0**

**Correct Marks : 5 Wrong Marks : 1**

**Question Key Details :**

Key	Value
Comprehension	MCQ

Read the following statements about demographic transition theory carefully :

- A. The first stage has high fertility and high mortality
- B. Fertility remains high in beginning of second stage
- C. In the last stage both fertility and mortality declined considerably
- D. This theory cannot be used to describe and predict the future population of any area

Choose the correct answer from the options given below :

- 1. (A), (B), (C) only
- 2. (A), (B), (D) only
- 3. (A), (C), (D) only
- 4. (B), (C), (D) only

**Options :**

- 485584136281. 1
- 485584136282. 2
- 485584136283. 3
- 485584136284. 4

**Question Number : 217 Question Id : 48558434072 Question Type : MCQ Option Shuffling : No Is Question Mandatory : No Calculator : None Response Time : N.A Think Time : N.A Minimum Instruction Time : 0**

**Correct Marks : 5 Wrong Marks : 1**

**Question Key Details :**

Key	Value
Comprehension	MCQ

Identify the characteristics of compact or nucleated settlements :

- A. Houses are built very close to each other.
- B. Communities share common occupation.
- C. Mainly found in fertile plains.
- D. Houses are interspersed with fields.

Choose the correct answer from the options given below :

- 1. (A), (B), (D) only
- 2. (A), (C), (D) only
- 3. (B), (C), (D) only
- 4. (A), (B), (C) only



**Options :**

485584136285. 1  
 485584136286. 2  
 485584136287. 3  
 485584136288. 4

**Question Number : 218 Question Id : 48558434073 Question Type : MCQ Option Shuffling : No Is Question Mandatory : No Calculator : None Response Time : N.A Think Time : N.A Minimum Instruction Time : 0**

**Correct Marks : 5 Wrong Marks : 1**

**Question Key Details :**

Key	Value
Comprehension	MCQ

Match List I with List II

LIST I (Concept)		LIST II (Definition)	
A.	Density of population	I.	The working population participation in various occupations
B.	Sex Ratio	II.	Numbers of people in different age groups
C.	Age structure	III.	Ratio between the number of women and men
D.	Occupational Structure	IV.	Ratio between the numbers of people to size of land

Choose the correct answer from the options given below:

1. (A)-(IV), (B)-(III), (C)-(II), (D)-(I)
2. (A)-(IV), (B)-(II), (C)-(III), (D)-(I)
3. (A)-(I), (B)-(II), (C)-(IV), (D)-(III)
4. (A)-(IV), (B)-(I), (C)-(III), (D)-(II)

**Options :**

485584136289. 1  
 485584136290. 2  
 485584136291. 3  
 485584136292. 4

**Question Number : 219 Question Id : 48558434074 Question Type : MCQ Option Shuffling : No Is Question Mandatory : No Calculator : None Response Time : N.A Think Time : N.A Minimum Instruction Time : 0**

**Correct Marks : 5 Wrong Marks : 1**

**Question Key Details :**

Key	Value
Comprehension	MCQ

Match List I with List II

LIST I (Trains Continental Railways)		LIST II (Stations)	
A.	Trans-Siberian Railways	I.	Perth to Sydney
B.	Tran-Canadian Railways	II.	St. Petersburg to Vladivostok
C.	The Union and Pacific Railways	III.	New York to San Francisco
D.	The Australian Trans-continental Railways	IV.	Halifax to Vancouver

Choose the correct answer from the options given below:

1. (A)-(II), (B)-(I), (C)-(IV), (D)-(III)
2. (A)-(II), (B)-(IV), (C)-(III), (D)-(I)
3. (A)-(II), (B)-(III), (C)-(IV), (D)-(I)
4. (A)-(IV), (B)-(III), (C)-(I), (D)-(II)

**Options :**

485584136293. 1  
485584136294. 2  
485584136295. 3  
485584136296. 4

**Question Number : 220 Question Id : 48558434075 Question Type : MCQ Option Shuffling : No Is Question Mandatory : No Calculator : None Response Time : N.A Think Time : N.A Minimum Instruction Time : 0**

**Correct Marks : 5 Wrong Marks : 1**

**Question Key Details :**

Key	Value
Comprehension	MCQ

Match List I with List II

LIST I (Aspects of International Trade)		LIST II (Characteristics)	
A.	Multi-lateral Trade	I.	Trade is done by two countries with each other
B.	Volume of Trade	II.	The nature of goods and services imported and exported by countries
C.	Composition of Trade	III.	Trade is conducted with many trading countries
D.	Bilateral Trade	IV.	The total value of goods and services traded

Choose the correct answer from the options given below:

1. (A)-(III), (B)-(IV), (C)-(I), (D)-(II)
2. (A)-(III), (B)-(IV), (C)-(II), (D)-(I)
3. (A)-(III), (B)-(II), (C)-(IV), (D)-(I)
4. (A)-(IV), (B)-(II), (C)-(III), (D)-(I)

**Options :**

485584136297. 1  
485584136298. 2  
485584136299. 3  
485584136300. 4

**Question Number : 221 Question Id : 48558434076 Question Type : MCQ Option Shuffling : No Is Question Mandatory : No Calculator : None Response Time : N.A Think Time : N.A Minimum Instruction Time : 0**

**Correct Marks : 5 Wrong Marks : 1**

**Question Key Details :**

Key	Value
Comprehension	MCQ

According to 2011, the highest population density is recorded in \_\_\_\_\_

1. West Bengal
2. Kerala
3. Bihar
4. Uttar Pradesh

**Options :**

485584136301. 1  
485584136302. 2  
485584136303. 3  
485584136304. 4

**Question Number : 222 Question Id : 48558434077 Question Type : MCQ Option Shuffling : No Is Question Mandatory : No Calculator : None Response Time : N.A Think Time : N.A Minimum Instruction Time : 0**

**Correct Marks : 5 Wrong Marks : 1**

**Question Key Details :**

Key	Value
Comprehension	MCQ

Both the birth rate and death rate were high in India during \_\_\_\_\_.

1. 1901 - 1921
2. 1921 - 1951
3. 1951 - 1981
4. After 1981

**Options :**

- 485584136305. 1
- 485584136306. 2
- 485584136307. 3
- 485584136308. 4

**Question Number : 223 Question Id : 48558434078 Question Type : MCQ Option Shuffling : No Is Question Mandatory : No Calculator : None Response Time : N.A Think Time : N.A Minimum Instruction Time : 0**

**Correct Marks : 5 Wrong Marks : 1**

**Question Key Details :**

Key	Value
Comprehension	MCQ

Arunachal Pradesh is dominated by the speakers of \_\_\_\_\_ family of Indian language.

1. Austric
2. Dravidian
3. Sino-Tibetan
4. Indo-European

**Options :**

- 485584136309. 1
- 485584136310. 2
- 485584136311. 3
- 485584136312. 4

**Question Number : 224 Question Id : 48558434079 Question Type : MCQ Option Shuffling : No Is Question Mandatory : No Calculator : None Response Time : N.A Think Time : N.A Minimum Instruction Time : 0**

**Correct Marks : 5 Wrong Marks : 1**

**Question Key Details :**

Key	Value
Comprehension	MCQ

The Agenda - 21 Report of the Rio Conference was published in \_\_\_\_\_.

1. 1972
2. 1974
3. 1987
4. 1993

**Options :**

- 485584136313. 1
- 485584136314. 2
- 485584136315. 3
- 485584136316. 4

**Question Number : 225 Question Id : 48558434080 Question Type : MCQ Option Shuffling : No Is Question Mandatory : No Calculator : None Response Time : N.A Think Time : N.A Minimum Instruction Time : 0**

**Correct Marks : 5 Wrong Marks : 1**

**Question Key Details :**

Key	Value
Comprehension	MCQ

Which one of the following is a garrison contonment town ?

1. Chandigarh
2. Satna
3. Raniganj
4. Udhampur

**Options :**

- 485584136317. 1
- 485584136318. 2
- 485584136319. 3
- 485584136320. 4

**Question Number : 226 Question Id : 48558434081 Question Type : MCQ Option Shuffling : No Is Question Mandatory : No Calculator : None Response Time : N.A Think Time : N.A Minimum Instruction Time : 0**

**Correct Marks : 5 Wrong Marks : 1**

**Question Key Details :**

Key	Value
Comprehension	MCQ

A population size of 5000 - 9,999 is put into which class of town according to 2011 census of India ?

1. Class – III
2. Class – IV
3. Class – V
4. Class – VI

**Options :**

485584136321. 1  
485584136322. 2  
485584136323. 3  
485584136324. 4

**Question Number : 227 Question Id : 48558434082 Question Type : MCQ Option Shuffling : No Is Question Mandatory : No Calculator : None Response Time : N.A Think Time : N.A Minimum Instruction Time : 0**

**Correct Marks : 5 Wrong Marks : 1**

**Question Key Details :**

Key	Value
Comprehension	MCQ

Which one of the following minerals is mainly used in the electrical and electronic industries ?

1. Graphite
2. Mica
3. Manganese
4. Bauxite

**Options :**

485584136325. 1  
485584136326. 2  
485584136327. 3  
485584136328. 4

**Question Number : 228 Question Id : 48558434083 Question Type : MCQ Option Shuffling : No Is Question Mandatory : No Calculator : None Response Time : N.A Think Time : N.A Minimum Instruction Time : 0**

**Correct Marks : 5 Wrong Marks : 1**

**Question Key Details :**

Key	Value
Comprehension	MCQ

Which of the following energy plant has been commissioned at Manikaran ?

1. Wind Energy
2. Bio Energy
3. Solar Energy
4. Geothermal Energy

**Options :**

485584136329. 1  
485584136330. 2  
485584136331. 3  
485584136332. 4

**Question Number : 229 Question Id : 48558434084 Question Type : MCQ Option Shuffling : No Is Question Mandatory : No Calculator : None Response Time : N.A Think Time : N.A Minimum Instruction Time : 0**

**Correct Marks : 5 Wrong Marks : 1**

**Question Key Details :**

Key	Value
Comprehension	MCQ

Which steel plant in India has a supply of iron ore from Noamundi, coal from Joda mines, and water from Kharkai river ?

1. Indian Iron and Steel Company (IISCO)
2. Tata Iron and Steel Company (TISCO)
3. Visvesvaraiya Iron and Steel Works Ltd. (VISL)
4. Rourkela Steel Plant

**Options :**

485584136333. 1  
485584136334. 2  
485584136335. 3  
485584136336. 4

**Question Number : 230 Question Id : 48558434085 Question Type : MCQ Option Shuffling : No Is Question Mandatory : No Calculator : None Response Time : N.A Think Time : N.A Minimum Instruction Time : 0**

**Correct Marks : 5 Wrong Marks : 1**

**Question Key Details :**

Key	Value
Comprehension	MCQ

India was famous worldwide for the production of a very fine variety of cotton cloth ?Which of the following was that ?

1. Chanderi
2. Khadi
3. Muslin
4. Lahori

**Options :**

485584136337. 1  
485584136338. 2  
485584136339. 3  
485584136340. 4

**Question Number : 231 Question Id : 48558434086 Question Type : MCQ Option Shuffling : No Is Question Mandatory : No Calculator : None Response Time : N.A Think Time : N.A Minimum Instruction Time : 0**

**Correct Marks : 5 Wrong Marks : 1**

**Question Key Details :**

Key	Value
Comprehension	MCQ

The length of first railway run between Bombay and Thane was \_\_\_\_\_.

1. 32 km
2. 34 km
3. 36 km
4. 38 km

**Options :**

485584136341. 1  
485584136342. 2  
485584136343. 3  
485584136344. 4

**Question Number : 232 Question Id : 48558434087 Question Type : MCQ Option Shuffling : No Is Question Mandatory : No Calculator : None Response Time : N.A Think Time : N.A Minimum Instruction Time : 0**

**Correct Marks : 5 Wrong Marks : 1**

**Question Key Details :**

Key	Value
Comprehension	MCQ



Which one of the following is the cause of intestinal worms ?

1. Water Pollution
2. Air Pollution
3. Noise Pollution
4. Land Pollution

**Options :**

485584136345. 1  
485584136346. 2  
485584136347. 3  
485584136348. 4

**Question Number : 233 Question Id : 48558434088 Question Type : MCQ Option Shuffling : No Is Question Mandatory : No Calculator : None Response Time : N.A Think Time : N.A Minimum Instruction Time : 0**

**Correct Marks : 5 Wrong Marks : 1**

**Question Key Details :**

Key	Value
Comprehension	MCQ

By 2050, an estimated \_\_\_\_\_ of the world's population will live in Urban areas.

1. one-third
2. two-third
3. half
4. three-fourth

**Options :**

485584136349. 1  
485584136350. 2  
485584136351. 3  
485584136352. 4

**Question Number : 234 Question Id : 48558434089 Question Type : MCQ Option Shuffling : No Is Question Mandatory : No Calculator : None Response Time : N.A Think Time : N.A Minimum Instruction Time : 0**

**Correct Marks : 5 Wrong Marks : 1**

**Question Key Details :**

Key	Value
Comprehension	MCQ

Arrange the following oil refineries of India from north to south direction.

- A. Mangaluru
- B. Haldia
- C. Kochchi
- D. Tatipaka

Choose the correct answer from the options given below :

1. (D), (A), (B), (C)
2. (D), (B), (A), (C)
3. (B), (D), (A), (C)
4. (B), (D), (C), (A)

**Options :**

- 485584136353. 1
- 485584136354. 2
- 485584136355. 3
- 485584136356. 4

**Question Number : 235 Question Id : 48558434090 Question Type : MCQ Option Shuffling : No Is Question Mandatory : No Calculator : None Response Time : N.A Think Time : N.A Minimum Instruction Time : 0**

**Correct Marks : 5 Wrong Marks : 1**

**Question Key Details :**

Key	Value
Comprehension	MCQ

Arrange the following software technology parks of India from West to East direction.

- A. Delhi
- B. Kanpur
- C. Kolkata
- D. Gandhinagar

Choose the correct answer from the options given below :

1. (D), (A), (C), (B)
2. (D), (C), (B), (A)
3. (D), (A), (B), (C)
4. (A), (D), (B), (C)

**Options :**

- 485584136357. 1
- 485584136358. 2
- 485584136359. 3
- 485584136360. 4

**Question Number : 236 Question Id : 48558434091 Question Type : MCQ Option Shuffling : No Is Question Mandatory : No Calculator : None Response Time : N.A Think Time : N.A Minimum Instruction Time : 0**

**Correct Marks : 5 Wrong Marks : 1**

**Question Key Details :**

Key	Value
Comprehension	MCQ

Read the following statements about rice crop in India carefully.

- A. It is considered to be a crop of tropical humid areas.
- B. Rice cultivation in the irrigated areas of Punjab and Haryana was introduced in 1950s.
- C. In West Bengal farmers grow three crops of rice.
- D. India was the second largest producer of rice in 2018.

Choose the correct answer from the options given below :

- 1. (A), (B) and (C) only
- 2. (A), (C) and (D) only
- 3. (B), (C) and (D) only
- 4. (A), (B) and (D) only

**Options :**

- 485584136361. 1
- 485584136362. 2
- 485584136363. 3
- 485584136364. 4

**Question Number : 237 Question Id : 48558434092 Question Type : MCQ Option Shuffling : No Is Question Mandatory : No Calculator : None Response Time : N.A Think Time : N.A Minimum Instruction Time : 0**

**Correct Marks : 5 Wrong Marks : 1**

**Question Key Details :**

Key	Value
Comprehension	MCQ

Read the following statements about tea Crop in India carefully.

- A. Tea is a plantation crop
- B. Tea leaves have rich content of caffeine and tannin
- C. Tea is an indigenous crop of India
- D. It is grown our undulating topography of hilly area

Choose the correct answer from the options given below :

- 1. (A), (B) and (C) only
- 2. (A), (B) and (D) only
- 3. (A), (C) and (D) only
- 4. (B), (C) and (D) only

**Options :**

485584136365. 1  
485584136366. 2  
485584136367. 3  
485584136368. 4

**Question Number : 238 Question Id : 48558434093 Question Type : MCQ Option Shuffling : No Is Question Mandatory : No Calculator : None Response Time : N.A Think Time : N.A Minimum Instruction Time : 0**

**Correct Marks : 5 Wrong Marks : 1**

**Question Key Details :**

Key	Value
Comprehension	MCQ

Read the following statements about Coal deposit in India carefully.

- A. About 80 per cent of the coal deposit in India is lignite type.
- B. The most important Gondwans Coal fields of India are located in Damodar Valley.
- C. Tharia is the largest coal field of India.
- D. Korba coal mining centre is located in West Bengal

Choose the correct answer from the options given below :

- 1. (A), (B) and (C) only
- 2. (A), (C) and (D) only
- 3. (A), (B) and (D) only
- 4. (B), (C) and (D) only

**Options :**

485584136369. 1  
485584136370. 2  
485584136371. 3  
485584136372. 4

**Question Number : 239 Question Id : 48558434094 Question Type : MCQ Option Shuffling : No Is Question Mandatory : No Calculator : None Response Time : N.A Think Time : N.A Minimum Instruction Time : 0**

**Correct Marks : 5 Wrong Marks : 1**

**Question Key Details :**

Key	Value
Comprehension	MCQ

Match List I with List II

LIST I (State)		LIST II (Total Literacy Rate 2011)	
A.	Bihar	I.	69.72
B.	Kerala	II.	87.40
C.	Goa	III.	93.91
D.	Uttar Pradesh	IV.	63.82

Choose the correct answer from the options given below:

1. (A)-(I), (B)-(II), (C)-(III), (D)-(IV)
2. (A)-(II), (B)-(IV), (C)-(I), (D)-(III)
3. (A)-(IV), (B)-(III), (C)-(II), (D)-(I)
4. (A)-(I), (B)-(III), (C)-(II), (D)-(IV)

**Options :**

485584136373. 1  
485584136374. 2  
485584136375. 3  
485584136376. 4

**Question Number : 240 Question Id : 48558434095 Question Type : MCQ Option Shuffling : No Is Question Mandatory : No Calculator : None Response Time : N.A Think Time : N.A Minimum Instruction Time : 0**

**Correct Marks : 5 Wrong Marks : 1**

**Question Key Details :**

Key	Value
Comprehension	MCQ

Match List I with List II

LIST I (Types to town)		LIST II (Examples)	
A.	Ancient Town	I.	Nagpur
B.	Medieval Town	II.	Gandhinagar
C.	Modern Town	III.	Madurai
D.	After Independence Town	IV.	Surat

Choose the correct answer from the options given below:

1. (A)-(III), (B)-(I), (C)-(II), (D)-(IV)
2. (A)-(I), (B)-(II), (C)-(IV), (D)-(III)
3. (A)-(III), (B)-(I), (C)-(IV), (D)-(II)
4. (A)-(I), (B)-(IV), (C)-(III), (D)-(II)

**Options :**

- 485584136377. 1
- 485584136378. 2
- 485584136379. 3
- 485584136380. 4

**Sub-Section Number :** 2  
**Sub-Section Id :** 4855842537  
**Question Shuffling Allowed :** No  
**Is Section Default? :** null

**Question Number : 241 Question Id : 48558434096 Question Type : MCQ Option Shuffling : No Is Question Mandatory :**  
**No Calculator : None Response Time : N.A Think Time : N.A Minimum Instruction Time : 0**  
**Correct Marks : 5 Wrong Marks : 1**

**Question Key Details :**

Key	Value
Comprehension	Comp1

Read the given passage carefully and answer following question .

The Ruhr Coal field of Germany has been one of the major industrial regions of Europe for a long time. Coal and iron and steel formed the basis of the economy, but as the demand for coal declined, the industry started shrinking. Even after the iron ore was exhausted, the industry remained, using imported ore brought by waterways to the Ruhr.

The Ruhr region is responsible for 80 per cent of Germany's total steel production. Changes in the industrial structure have led to the decay of some areas, and there are problems of industrial waste and pollution. The future prosperity of the Ruhr is based less on the products of coal and steel, for which it was initially famous, and more on the new industries like the huge Opel car assembly plant, new chemical plants, universities. Out-of-town shopping centres have appeared resulting in a 'New Ruhr' landscape.

The iron and steel industry forms the base of all other industries and, therefore, it is called a basic industry. It is basic because it provides raw material for other industries such as machine tools used for further production. It may also be called a heavy industry because it uses large quantities of bulky raw materials and its products are also heavy.

Iron is extracted from iron ore by smelting in a blast furnace with carbon (coke) and limestone. The molten iron is cooled and moulded to form pig iron which is used for converting into steel by adding strengthening materials manganese.

\_\_\_\_\_ and \_\_\_\_\_ formed the basis of the economy Ruhr region.

1. Coal, Petrochemical
2. Iron and Steel, coal
3. Iron and Steel, Cotton textile
4. Cotton textile and Petrochemical

**Options :**

- 485584136381. 1
- 485584136382. 2
- 485584136383. 3
- 485584136384. 4

**Question Number : 242 Question Id : 48558434097 Question Type : MCQ Option Shuffling : No Is Question Mandatory :**  
**No Calculator : None Response Time : N.A Think Time : N.A Minimum Instruction Time : 0**

Correct Marks : 5 Wrong Marks : 1

Question Key Details :

Key	Value
Comprehension	Comp1

Read the given passage carefully and answer following question .

The Ruhr Coal field of Germany has been one of the major industrial regions of Europe for a long time. Coal and iron and steel formed the basis of the economy, but as the demand for coal declined, the industry started shrinking. Even after the iron ore was exhausted, the industry remained, using imported ore brought by waterways to the Ruhr.

The Ruhr region is responsible for 80 per cent of Germany's total steel production. Changes in the industrial structure have led to the decay of some areas, and there are problems of industrial waste and pollution. The future prosperity of the Ruhr is based less on the products of coal and steel, for which it was initially famous, and more on the new industries like the huge Opel car assembly plant, new chemical plants, universities. Out-of-town shopping centres have appeared resulting in a 'New Ruhr' landscape.

The iron and steel industry forms the base of all other industries and, therefore, it is called a basic industry. It is basic because it provides raw material for other industries such as machine tools used for further production. It may also be called a heavy industry because it uses large quantities of bulky raw materials and its products are also heavy.

Iron is extracted from iron ore by smelting in a blast furnace with carbon (coke) and limestone. The molten iron is cooled and moulded to form pig iron which is used for converting into steel by adding strengthening materials manganese.

Ruhr region contribute \_\_\_\_\_ of Germany's total steel production.

1. 73%
2. 77%
3. 80%
4. 83%

Options :

- 485584136385. 1
- 485584136386. 2
- 485584136387. 3
- 485584136388. 4

Question Number : 243 Question Id : 48558434098 Question Type : MCQ Option Shuffling : No Is Question Mandatory : No Calculator : None Response Time : N.A Think Time : N.A Minimum Instruction Time : 0

Correct Marks : 5 Wrong Marks : 1

Question Key Details :

Key	Value
Comprehension	Comp1

Read the given passage carefully and answer following question .

The Ruhr Coal field of Germany has been one of the major industrial regions of Europe for a long time. Coal and iron and steel formed the basis of the economy, but as the demand for coal declined, the industry started shrinking. Even after the iron ore was exhausted, the industry remained, using imported ore brought by waterways to the Ruhr.

The Ruhr region is responsible for 80 per cent of Germany's total steel production. Changes in the industrial structure have led to the decay of some areas, and there are problems of industrial waste and pollution. The future prosperity of the Ruhr is based less on the products of coal and steel, for which it was initially famous, and more on the new industries like the huge Opel car assembly plant, new chemical plants, universities. Out-of-town shopping centres have appeared resulting in a 'New Ruhr' landscape.

The iron and steel industry forms the base of all other industries and, therefore, it is called a basic industry. It is basic because it provides raw material for other industries such as machine tools used for further production. It may also be called a heavy industry because it uses large quantities of bulky raw materials and its products are also heavy.

Iron is extracted from iron ore by smelting in a blast furnace with carbon (coke) and limestone. The molten iron is cooled and moulded to form pig iron which is used for converting into steel by adding strengthening materials manganese.

The assembly of \_\_\_\_\_ car is done in the Ruhr region of Germany.

1. Opel
2. Napel
3. Napthel
4. Onthel

**Options :**

485584136389. 1  
485584136390. 2  
485584136391. 3  
485584136392. 4

**Question Number : 244 Question Id : 48558434099 Question Type : MCQ Option Shuffling : No Is Question Mandatory : No Calculator : None Response Time : N.A Think Time : N.A Minimum Instruction Time : 0**

**Correct Marks : 5 Wrong Marks : 1**

**Question Key Details :**

Key	Value
Comprehension	Compl



Read the given passage carefully and answer following question .

The Ruhr Coal field of Germany has been one of the major industrial regions of Europe for a long time. Coal and iron and steel formed the basis of the economy, but as the demand for coal declined, the industry started shrinking. Even after the iron ore was exhausted, the industry remained, using imported ore brought by waterways to the Ruhr.

The Ruhr region is responsible for 80 per cent of Germany's total steel production. Changes in the industrial structure have led to the decay of some areas, and there are problems of industrial waste and pollution. The future prosperity of the Ruhr is based less on the products of coal and steel, for which it was initially famous, and more on the new industries like the huge Opel car assembly plant, new chemical plants, universities. Out-of-town shopping centres have appeared resulting in a 'New Ruhr' landscape.

The iron and steel industry forms the base of all other industries and, therefore, it is called a basic industry. It is basic because it provides raw material for other industries such as machine tools used for further production. It may also be called a heavy industry because it uses large quantities of bulky raw materials and its products are also heavy.

Iron is extracted from iron ore by smelting in a blast furnace with carbon (coke) and limestone. The molten iron is cooled and moulded to form pig iron which is used for converting into steel by adding strengthening materials manganese.

Iron and Steel industry is called \_\_\_\_\_ industry.

1. Basic
2. Secondary
3. Tertiary
4. Quaternary

**Options :**

485584136393. 1  
485584136394. 2  
485584136395. 3  
485584136396. 4

**Question Number : 245 Question Id : 48558434100 Question Type : MCQ Option Shuffling : No Is Question Mandatory : No Calculator : None Response Time : N.A Think Time : N.A Minimum Instruction Time : 0**

**Correct Marks : 5 Wrong Marks : 1**

**Question Key Details :**

Key	Value
Comprehension	Comp1

Read the given passage carefully and answer following question .

The Ruhr Coal field of Germany has been one of the major industrial regions of Europe for a long time. Coal and iron and steel formed the basis of the economy, but as the demand for coal declined, the industry started shrinking. Even after the iron ore was exhausted, the industry remained, using imported ore brought by waterways to the Ruhr.

The Ruhr region is responsible for 80 per cent of Germany's total steel production. Changes in the industrial structure have led to the decay of some areas, and there are problems of industrial waste and pollution. The future prosperity of the Ruhr is based less on the products of coal and steel, for which it was initially famous, and more on the new industries like the huge Opel car assembly plant, new chemical plants, universities. Out-of-town shopping centres have appeared resulting in a 'New Ruhr' landscape.

The iron and steel industry forms the base of all other industries and, therefore, it is called a basic industry. It is basic because it provides raw material for other industries such as machine tools used for further production. It may also be called a heavy industry because it uses large quantities of bulky raw materials and its products are also heavy.

Iron is extracted from iron ore by smelting in a blast furnace with carbon (coke) and limestone. The molten iron is cooled and moulded to form pig iron which is used for converting into steel by adding strengthening materials manganese.

\_\_\_\_\_ is added to strengthen the material for making steel.

1. Mica
2. Limestone
3. Coke
4. Manganese

**Options :**

485584136397. 1  
485584136398. 2  
485584136399. 3  
485584136400. 4

**Sub-Section Number :** 3  
**Sub-Section Id :** 4855842538  
**Question Shuffling Allowed :** No  
**Is Section Default? :** null

**Question Number : 246 Question Id : 48558434101 Question Type : MCQ Option Shuffling : No Is Question Mandatory : No Calculator : None Response Time : N.A Think Time : N.A Minimum Instruction Time : 0**

**Correct Marks : 5 Wrong Marks : 1**

**Question Key Details :**

Key	Value
Comprehension	Comp2

Study the given table carefully and answer the following question:

Composition of India's Export, 2009-2017

(Percentage share in Exports)

Commodities	2009-10	2010-11	2015-16	2016-17
Agriculture and allied products	10.0	9.9	12.6	12.3
Ore and Minerals	4.9	4.0	1.6	1.9
Manufactured goods	67.4	68.0	72.9	73.6
Crude and petroleum products	16.2	16.8	11.9	11.7
Other Commodities	1.5	1.2	1.1	0.5

How many of the following export commodities are showing an increasing trend between 2015 - 16 to 2016 - 17 ?

1. 1
2. 2
3. 3
4. 4

**Options :**

485584136401. 1  
485584136402. 2  
485584136403. 3  
485584136404. 4

**Question Number : 247 Question Id : 48558434102 Question Type : MCQ Option Shuffling : No Is Question Mandatory : No Calculator : None Response Time : N.A Think Time : N.A Minimum Instruction Time : 0**

**Correct Marks : 5 Wrong Marks : 1**

**Question Key Details :**

Key	Value
Comprehension	Comp2

Study the given table carefully and answer the following question:

Composition of India's Export, 2009-2017

(Percentage share in Exports)

Commodities	2009-10	2010-11	2015-16	2016-17
Agriculture and allied products	10.0	9.9	12.6	12.3
Ore and Minerals	4.9	4.0	1.6	1.9
Manufactured goods	67.4	68.0	72.9	73.6
Crude and petroleum products	16.2	16.8	11.9	11.7
Other Commodities	1.5	1.2	1.1	0.5

In 2015 - 16, if agriculture and allied products and manufactured goods percentages are added, it would be \_\_\_\_\_.

1. 84.5%
2. 85.0%
3. 85.5%
4. 86.0%

**Options :**

485584136405. 1  
485584136406. 2  
485584136407. 3  
485584136408. 4

**Question Number : 248 Question Id : 48558434103 Question Type : MCQ Option Shuffling : No Is Question Mandatory : No Calculator : None Response Time : N.A Think Time : N.A Minimum Instruction Time : 0**

**Correct Marks : 5 Wrong Marks : 1**

**Question Key Details :**

Key	Value
Comprehension	Comp2

Study the given table carefully and answer the following question:

Composition of India's Export, 2009-2017

(Percentage share in Exports)

Commodities	2009-10	2010-11	2015-16	2016-17
Agriculture and allied products	10.0	9.9	12.6	12.3
Ore and Minerals	4.9	4.0	1.6	1.9
Manufactured goods	67.4	68.0	72.9	73.6
Crude and petroleum products	16.2	16.8	11.9	11.7
Other Commodities	1.5	1.2	1.1	0.5

Which of the following export commodities registered increasing trends from 2009 - 10 to 2010 - 11 ?

1. Ore and minerals and manufactured
2. Agriculture and allied product and crude and petroleum products
3. Manufactured goods and other commodities
4. Manufactured goods and crud and petroleum products

**Options :**

485584136409. 1  
485584136410. 2  
485584136411. 3

**Question Number : 249 Question Id : 48558434104 Question Type : MCQ Option Shuffling : No Is Question Mandatory : No Calculator : None Response Time : N.A Think Time : N.A Minimum Instruction Time : 0**

**Correct Marks : 5 Wrong Marks : 1**

**Question Key Details :**

Key	Value
Comprehension	Comp2

Study the given table carefully and answer the following question:

Composition of India's Export, 2009-2017

(Percentage share in Exports)

Commodities	2009-10	2010-11	2015-16	2016-17
Agriculture and allied products	10.0	9.9	12.6	12.3
Ore and Minerals	4.9	4.0	1.6	1.9
Manufactured goods	67.4	68.0	72.9	73.6
Crude and petroleum products	16.2	16.8	11.9	11.7
Other Commodities	1.5	1.2	1.1	0.5

Percentage increase in manufactured goods from 2010 - 11 to 2015 - 16 is reported by which one of the following ?

1. 1.9%
2. 2.9%
3. 3.9%
4. 4.9%

**Options :**

485584136413. 1  
485584136414. 2  
485584136415. 3  
485584136416. 4

**Question Number : 250 Question Id : 48558434105 Question Type : MCQ Option Shuffling : No Is Question Mandatory : No Calculator : None Response Time : N.A Think Time : N.A Minimum Instruction Time : 0**

**Correct Marks : 5 Wrong Marks : 1**

**Question Key Details :**

Key	Value
Comprehension	Comp2

Study the given table carefully and answer the following question:

Composition of India's Export, 2009-2017

(Percentage share in Exports)

Commodities	2009-10	2010-11	2015-16	2016-17
Agriculture and allied products	10.0	9.9	12.6	12.3
Ore and Minerals	4.9	4.0	1.6	1.9
Manufactured goods	67.4	68.0	72.9	73.6
Crude and petroleum products	16.2	16.8	11.9	11.7
Other Commodities	1.5	1.2	1.1	0.5

The highest difference in percentage between, 2010 - 11 to 2015 - 16 is associated with which of the following categories ?

1. Agriculture and allied products
2. Ore and Minerals
3. Manufactured goods
4. Other Commodities

**Options :**

485584136417. 1  
485584136418. 2  
485584136419. 3  
485584136420. 4

## History

Group Number :	10
Group Id :	485584777
Group Maximum Duration :	45
Group Minimum Duration :	45
Show Attended Group? :	No
Edit Attended Group? :	No
Break time :	0
Group Marks :	200
Is this Group for Examiner? :	No
Examiner permission :	Cant View
Show Progress Bar? :	No

## History

Section Id :	485584895
Section Number :	1
Section type :	Online
Mandatory or Optional :	Mandatory

Number of Questions : 50  
Number of Questions to be attempted : 40  
Section Marks : 200  
Enable Mark as Answered Mark for Review and Clear Response : Yes  
Maximum Instruction Time : 0  
Sub-Section Number : 1  
Sub-Section Id : 4855842539  
Question Shuffling Allowed : Yes  
Is Section Default? : null

Question Number : 251 Question Id : 48558434156 Question Type : MCQ Option Shuffling : No Is Question Mandatory : No Calculator : None Response Time : N.A Think Time : N.A Minimum Instruction Time : 0

Correct Marks : 5 Wrong Marks : 1

Question Key Details :

Key	Value
Comprehension	MCQ

Which of the following is **NOT True** of the 'Objectives Resolution'?

1. It proclaimed India to be an 'Independent Sovereign Republic'.
2. It guaranteed its citizens justice, equality and freedom.
3. Nehru located history of Constitution-making in India within a longer history of struggle for liberty and freedom.
4. The ideas and provisions of the Constitution introduced in India could be derived colonial past.

Options :

485584136621. 1  
485584136622. 2  
485584136623. 3  
485584136624. 4

Question Number : 252 Question Id : 48558434157 Question Type : MCQ Option Shuffling : No Is Question Mandatory : No Calculator : None Response Time : N.A Think Time : N.A Minimum Instruction Time : 0

Correct Marks : 5 Wrong Marks : 1

Question Key Details :

Key	Value
Comprehension	MCQ

The 'Constituent Assembly' was composed of how many members?

1. 250
2. 120
3. 300
4. 522

Options :

485584136625. 1  
485584136626. 2

485584136627. 3

485584136628. 4

**Question Number : 253 Question Id : 48558434158 Question Type : MCQ Option Shuffling : No Is Question Mandatory : No Calculator : None Response Time : N.A Think Time : N.A Minimum Instruction Time : 0**

**Correct Marks : 5 Wrong Marks : 1**

**Question Key Details :**

Key	Value
Comprehension	MCQ

The 'Great Calcutta Killings' took place in which year?

1. 1946

2. 1945

3. 1947

4. 1943

**Options :**

485584136629. 1

485584136630. 2

485584136631. 3

485584136632. 4

**Question Number : 254 Question Id : 48558434159 Question Type : MCQ Option Shuffling : No Is Question Mandatory : No Calculator : None Response Time : N.A Think Time : N.A Minimum Instruction Time : 0**

**Correct Marks : 5 Wrong Marks : 1**

**Question Key Details :**

Key	Value
Comprehension	MCQ

Which Governor General adopted policies that abolished 'Sati'?

1. Henry Hardings

2. William Bentinck

3. Canning

4. Dalhousie

**Options :**

485584136633. 1

485584136634. 2

485584136635. 3

485584136636. 4

**Question Number : 255 Question Id : 48558434160 Question Type : MCQ Option Shuffling : No Is Question Mandatory : No Calculator : None Response Time : N.A Think Time : N.A Minimum Instruction Time : 0**

**Correct Marks : 5 Wrong Marks : 1**

**Question Key Details :**

Key	Value
-----	-------



Comprehension	MCQ
---------------	-----

Who wrote one of the earliest histories of the Uprising of 1857?

1. Francis Grant
2. Captain Hearsey
3. Charles Ball
4. Colin Campbell

**Options :**

485584136637. 1  
485584136638. 2  
485584136639. 3  
485584136640. 4

**Question Number : 256 Question Id : 48558434161 Question Type : MCQ Option Shuffling : No Is Question Mandatory : No Calculator : None Response Time : N.A Think Time : N.A Minimum Instruction Time : 0**

**Correct Marks : 5 Wrong Marks : 1**

**Question Key Details :**

Key	Value
Comprehension	MCQ

Which region was known as the 'nursery of the Bengal Army' as many sepoys were recruited from the region?

1. Jhansi
2. Satara
3. Awadh
4. Delhi

**Options :**

485584136641. 1  
485584136642. 2  
485584136643. 3  
485584136644. 4

**Question Number : 257 Question Id : 48558434162 Question Type : MCQ Option Shuffling : No Is Question Mandatory : No Calculator : None Response Time : N.A Think Time : N.A Minimum Instruction Time : 0**

**Correct Marks : 5 Wrong Marks : 1**

**Question Key Details :**

Key	Value
Comprehension	MCQ

Where was the 'Summary Settlement' of 1856 imposed?

1. Jhansi
2. Bengal
3. Kanpur
4. Awadh

**Options :**

485584136645. 1  
485584136646. 2  
485584136647. 3  
485584136648. 4

**Question Number : 258 Question Id : 48558434163 Question Type : MCQ Option Shuffling : No Is Question Mandatory : No Calculator : None Response Time : N.A Think Time : N.A Minimum Instruction Time : 0**

**Correct Marks : 5 Wrong Marks : 1**

**Question Key Details :**

Key	Value
Comprehension	MCQ

Who went around mobilising the headman and cultivators of Chaurasee des (eighty-four villages) in 1857?

1. Maului Ahmadullah Shah
2. Henry Lawrence
3. Hanwant Singh
4. Shah Mal

**Options :**

485584136649. 1  
485584136650. 2  
485584136651. 3  
485584136652. 4

**Question Number : 259 Question Id : 48558434164 Question Type : MCQ Option Shuffling : No Is Question Mandatory : No Calculator : None Response Time : N.A Think Time : N.A Minimum Instruction Time : 0**

**Correct Marks : 5 Wrong Marks : 1**

**Question Key Details :**

Key	Value
Comprehension	MCQ

Colonial rule was first established in which part of India?

1. Bombay
2. Madras
3. Bengal
4. Punjab

**Options :**

485584136653. 1  
485584136654. 2  
485584136655. 3  
485584136656. 4

**Question Number : 260 Question Id : 48558434165 Question Type : MCQ Option Shuffling : No Is Question Mandatory : No Calculator : None Response Time : N.A Think Time : N.A Minimum Instruction Time : 0**

**Correct Marks : 5 Wrong Marks : 1**

**Question Key Details :**

Key	Value
Comprehension	MCQ

Colonial officials were strongly influenced by the ideas of which British economic thinker in 19th-century?

1. Adam Smith
2. J. M. Keynes
3. David Ricardo
4. Thomas Paine

**Options :**

485584136657. 1  
485584136658. 2  
485584136659. 3  
485584136660. 4

**Question Number : 261 Question Id : 48558434166 Question Type : MCQ Option Shuffling : No Is Question Mandatory : No Calculator : None Response Time : N.A Think Time : N.A Minimum Instruction Time : 0**

**Correct Marks : 5 Wrong Marks : 1**

**Question Key Details :**

Key	Value
Comprehension	MCQ

Where was Satyajit Ray's 'Jalsaghar' filmed?

1. Andul Raj Palace
2. City Palace
3. Rajmahal
4. Jangal Mahal

**Options :**

485584136661. 1  
485584136662. 2  
485584136663. 3  
485584136664. 4

**Question Number : 262 Question Id : 48558434167 Question Type : MCQ Option Shuffling : No Is Question Mandatory : No Calculator : None Response Time : N.A Think Time : N.A Minimum Instruction Time : 0**

**Correct Marks : 5 Wrong Marks : 1**

**Question Key Details :**

Key	Value
Comprehension	MCQ

Who wrote 'Char Chaman': describing the Mughal nobility?

1. Chandrabahan Barahman
2. Antonio Monserrate
3. Abu'l Hasan
4. Muhammad Husayn

**Options :**

485584136665. 1  
485584136666. 2  
485584136667. 3  
485584136668. 4

**Question Number : 263 Question Id : 48558434168 Question Type : MCQ Option Shuffling : No Is Question Mandatory : No Calculator : None Response Time : N.A Think Time : N.A Minimum Instruction Time : 0**

**Correct Marks : 5 Wrong Marks : 1**

**Question Key Details :**

Key	Value
Comprehension	MCQ

Which chronicle was gifted by Nawab of Awadh to King George III in 1799.

1. Akbarnama
2. Shahjahan Nama
3. Badshah Nama
4. Alamgir Nama

**Options :**

485584136669. 1  
485584136670. 2  
485584136671. 3  
485584136672. 4

**Question Number : 264 Question Id : 48558434169 Question Type : MCQ Option Shuffling : No Is Question Mandatory : No Calculator : None Response Time : N.A Think Time : N.A Minimum Instruction Time : 0**

**Correct Marks : 5 Wrong Marks : 1**

**Question Key Details :**

Key	Value
Comprehension	MCQ

What was the meaning of 'Jangama' in 12th-century Karnataka?

1. Sayings
2. Wandering Monks
3. Incarnations
4. Four Thousand Sacred Compositions

**Options :**

485584136673. 1  
485584136674. 2  
485584136675. 3  
485584136676. 4

**Question Number : 265 Question Id : 48558434170 Question Type : MCQ Option Shuffling : No Is Question Mandatory : No Calculator : None Response Time : N.A Think Time : N.A Minimum Instruction Time : 0**

**Correct Marks : 5 Wrong Marks : 1**

**Question Key Details :**

Key	Value
Comprehension	MCQ

'Kabir Granthavali' is associated with which of the following traditions?

1. Kabirpanth in Varanasi
2. Dadupanth in Rajasthan
3. Kabirpanth in Bengal
4. Kabirvani in Adi Granth Sahib

**Options :**

485584136677. 1  
485584136678. 2  
485584136679. 3  
485584136680. 4

**Question Number : 266 Question Id : 48558434171 Question Type : MCQ Option Shuffling : No Is Question Mandatory : No Calculator : None Response Time : N.A Think Time : N.A Minimum Instruction Time : 0**

**Correct Marks : 5 Wrong Marks : 1**

**Question Key Details :**

Key	Value
Comprehension	MCQ

'Malfuzat' an important source for constructing history is \_\_\_\_\_.

1. A record of conversations of sufi saints.
2. A record of agrarian tax.
3. A record of kings announcement.
4. A collection of letters written by sufi saints.

**Options :**

485584136681. 1  
485584136682. 2  
485584136683. 3  
485584136684. 4

**Question Number : 267 Question Id : 48558434172 Question Type : MCQ Option Shuffling : No Is Question Mandatory : No Calculator : None Response Time : N.A Think Time : N.A Minimum Instruction Time : 0**

**Correct Marks : 5 Wrong Marks : 1**

**Question Key Details :**

Key	Value
Comprehension	MCQ

Who described Mughal cities of the 17th-century as 'Camp Towns'?

1. Francois Bernier
2. Pelsaert
3. Abu'l Fazl
4. Karl Marx

**Options :**

485584136685. 1  
485584136686. 2  
485584136687. 3  
485584136688. 4

**Question Number : 268 Question Id : 48558434173 Question Type : MCQ Option Shuffling : No Is Question Mandatory : No Calculator : None Response Time : N.A Think Time : N.A Minimum Instruction Time : 0**

**Correct Marks : 5 Wrong Marks : 1**

**Question Key Details :**

Key	Value
Comprehension	MCQ

Who among the following were known as 'materialists' in Sixth BCE India.

1. Ajivikas
2. Lokayatas
3. Buddhists
4. Jains

**Options :**

485584136689. 1  
485584136690. 2  
485584136691. 3  
485584136692. 4

**Question Number : 269 Question Id : 48558434174 Question Type : MCQ Option Shuffling : No Is Question Mandatory : No Calculator : None Response Time : N.A Think Time : N.A Minimum Instruction Time : 0**

**Correct Marks : 5 Wrong Marks : 1**

**Question Key Details :**

Key	Value
Comprehension	MCQ

Which amongst the following is another name for the 'Buddha'?

1. Tirthankara
2. Theragatha
3. Theravadva
4. Tathagatha

**Options :**

485584136693. 1  
485584136694. 2  
485584136695. 3  
485584136696. 4

**Question Number : 270 Question Id : 48558434175 Question Type : MCQ Option Shuffling : No Is Question Mandatory : No Calculator : None Response Time : N.A Think Time : N.A Minimum Instruction Time : 0**

**Correct Marks : 5 Wrong Marks : 1**

**Question Key Details :**

Key	Value
Comprehension	MCQ

Who was the first women to be ordained as a 'Bhikkhuni'?

1. Yasodhara
2. Purna
3. Radha
4. Mahapajapati Gotami

**Options :**

485584136697. 1  
485584136698. 2  
485584136699. 3  
485584136700. 4

**Question Number : 271 Question Id : 48558434176 Question Type : MCQ Option Shuffling : No Is Question Mandatory : No Calculator : None Response Time : N.A Think Time : N.A Minimum Instruction Time : 0**

**Correct Marks : 5 Wrong Marks : 1**

**Question Key Details :**

Key	Value
Comprehension	MCQ



Which of the following suggests that many people who turned to buddhists enriched it with their own Pre-Buddhist beliefs, practices and ideas?

1. Wheel of Dharma
2. Jataka Scenes
3. Shalabhanjika
4. Mahaparinibbana

**Options :**

485584136701. 1  
485584136702. 2  
485584136703. 3  
485584136704. 4

**Question Number : 272 Question Id : 48558434177 Question Type : MCQ Option Shuffling : No Is Question Mandatory : No Calculator : None Response Time : N.A Think Time : N.A Minimum Instruction Time : 0**

**Correct Marks : 5 Wrong Marks : 1**

**Question Key Details :**

Key	Value
Comprehension	MCQ

Who led a team of dozen scholars in collecting Sanskrit manuscripts and preparing a critical edition of the 'Mahabharata'?

1. V. S. Wakankar
2. B. B. Lal
3. V. S. Sukthankar
4. V. A. Smith

**Options :**

485584136705. 1  
485584136706. 2  
485584136707. 3  
485584136708. 4

**Question Number : 273 Question Id : 48558434178 Question Type : MCQ Option Shuffling : No Is Question Mandatory : No Calculator : None Response Time : N.A Think Time : N.A Minimum Instruction Time : 0**

**Correct Marks : 5 Wrong Marks : 1**

**Question Key Details :**

Key	Value
Comprehension	MCQ

Asokan inscriptions in the North-West of the subcontinent were written in which of the following languages?

1. Prakrit
2. Pali
3. Aramaic
4. Arad-Magadhi

**Options :**

485584136709. 1  
485584136710. 2  
485584136711. 3  
485584136712. 4

**Question Number : 274 Question Id : 48558434179 Question Type : MCQ Option Shuffling : No Is Question Mandatory : No Calculator : None Response Time : N.A Think Time : N.A Minimum Instruction Time : 0**

**Correct Marks : 5 Wrong Marks : 1**

**Question Key Details :**

Key	Value
Comprehension	MCQ

Which of the following time period is related to the emergence of early states in Indian history?

1. First Century BCE
2. Sixth Century BCE
3. Eighth Century BCE
4. Tenth Century BCE

**Options :**

485584136713. 1  
485584136714. 2  
485584136715. 3  
485584136716. 4

**Question Number : 275 Question Id : 48558434180 Question Type : MCQ Option Shuffling : No Is Question Mandatory : No Calculator : None Response Time : N.A Think Time : N.A Minimum Instruction Time : 0**

**Correct Marks : 5 Wrong Marks : 1**

**Question Key Details :**

Key	Value
Comprehension	MCQ

The 'Prayag Prashasti' was composed by the court poet of which of the following kings?

1. Chandragupta
2. Chandragupta Vikramaditya
3. Samudragupta
4. Skandagupta

**Options :**

485584136717. 1  
485584136718. 2  
485584136719. 3  
485584136720. 4

**Question Number : 276 Question Id : 48558434181 Question Type : MCQ Option Shuffling : No Is Question Mandatory : No Calculator : None Response Time : N.A Think Time : N.A Minimum Instruction Time : 0**

**Correct Marks : 5 Wrong Marks : 1**

**Question Key Details :**

Key	Value
Comprehension	MCQ

Nageshwar and Balakot settlement near the coast in the Harappan Civilisation served as \_\_\_\_\_.

1. Sources of Carnelian
2. Sources of Lapis Lazuli
3. Centre of shell production
4. Sources of gold

**Options :**

485584136721. 1  
485584136722. 2  
485584136723. 3  
485584136724. 4

**Question Number : 277 Question Id : 48558434182 Question Type : MCQ Option Shuffling : No Is Question Mandatory : No Calculator : None Response Time : N.A Think Time : N.A Minimum Instruction Time : 0**

**Correct Marks : 5 Wrong Marks : 1**

**Question Key Details :**

Key	Value
Comprehension	MCQ

Evidence of a ploughed field comes from which of the following Harrapan site?

1. Cholistan
2. Amri-Nal
3. Kalibangan
4. Harappa

**Options :**

485584136725. 1  
485584136726. 2  
485584136727. 3  
485584136728. 4

**Question Number : 278 Question Id : 48558434183 Question Type : MCQ Option Shuffling : No Is Question Mandatory : No Calculator : None Response Time : N.A Think Time : N.A Minimum Instruction Time : 0**

**Correct Marks : 5 Wrong Marks : 1**

**Question Key Details :**

Key	Value
Comprehension	MCQ

Match List I with List II:

LIST I		LIST II	
A.	Dakshyani Velayudhan	I.	Hindustani as language of nation
B.	Hansa Mehta	II.	Removal of social disabilities
C.	R. V. Dhulekar	III.	Justice for women
D.	Shankarrao Deo	IV.	Hindi as national language

Choose the **correct** answer from the options given below:

1. A-II, B-IV, C-I, D-III
2. A-II, B-III, C-IV, D-I
3. A-I, B-II, C-III, D-IV
4. A-I, B-III, C-IV, D-II

**Options :**

485584136729. 1  
485584136730. 2  
485584136731. 3  
485584136732. 4

**Question Number : 279 Question Id : 48558434184 Question Type : MCQ Option Shuffling : No Is Question Mandatory : No Calculator : None Response Time : N.A Think Time : N.A Minimum Instruction Time : 0**

**Correct Marks : 5 Wrong Marks : 1**

**Question Key Details :**

Key	Value
-----	-------

Match List I with List II:

LIST I		LIST II	
A.	Nageshwar	I.	Steatite
B.	Lothal	II.	Lapis Lazuli
C.	Gujarat	III.	Carnelian
D.	Shortughai	IV.	Shell

Choose the **correct** answer from the options given below:

1. A-IV, B-III, C-I, D-II
2. A-I, B-III, C-IV, D-II
3. A-II, B-I, C-IV, D-III
4. A-IV, B-III, C-I, D-II

**Options :**

485584136733. 1  
 485584136734. 2  
 485584136735. 3  
 485584136736. 4

**Question Number : 280 Question Id : 48558434185 Question Type : MCQ Option Shuffling : No Is Question Mandatory : No Calculator : None Response Time : N.A Think Time : N.A Minimum Instruction Time : 0**

**Correct Marks : 5 Wrong Marks : 1**

**Question Key Details :**

Key	Value
Comprehension	MCQ

Match List I with List II:

LIST I		LIST II	
A.	Jesuit	I.	Jean-Baptiste Tavernier
B.	French Jeweller	II.	Danishmand Khan
C.	Italian Doctor	III.	Roberto Nobili
D.	Armenian Noble	IV.	Manucci

Choose the **correct** answer from the options given below:

1. A-IV, B-II, C-I, D-III
2. A-III, B-I, C-II, D-IV
3. A-IV, B-I, C-II, D-III
4. A-III, B-I, C-IV, D-II

**Options :**

- 485584136737. 1
- 485584136738. 2
- 485584136739. 3
- 485584136740. 4

**Question Number : 281 Question Id : 48558434186 Question Type : MCQ Option Shuffling : No Is Question Mandatory : No Calculator : None Response Time : N.A Think Time : N.A Minimum Instruction Time : 0**

**Correct Marks : 5 Wrong Marks : 1**

**Question Key Details :**

Key	Value
Comprehension	MCQ

Match List I with List II:

LIST I		LIST II	
A.	Bargadar	I.	Powerful Zamindar
B.	Raja	II.	Sharecropper
C.	Diku	III.	Strongman of a Zamindar
D.	Lathyal	IV.	Moneylender

Choose the **correct** answer from the options given below:

1. A-I, B-IV, C-II, D-III
2. A-IV, B-II, C-III, D-I
3. A-II, B-I, C-IV, D-III
4. A-IV, B-I, C-II, D-III

**Options :**

- 485584136741. 1
- 485584136742. 2
- 485584136743. 3
- 485584136744. 4

**Question Number : 282 Question Id : 48558434187 Question Type : MCQ Option Shuffling : No Is Question Mandatory : No Calculator : None Response Time : N.A Think Time : N.A Minimum Instruction Time : 0**

**Correct Marks : 5 Wrong Marks : 1**

**Question Key Details :**

Key	Value
Comprehension	MCQ

Which of the following statements are **True** for the Harappan script?

- A. It contains around 400 signs.
- B. It was written from right to left.
- C. It has been deciphered.
- D. It is alphabetical.

Choose the **correct** answer from the options given below:

- 1. A, D only
- 2. A, B only
- 3. B, C only
- 4. B, D only

**Options :**

- 485584136745. 1
- 485584136746. 2
- 485584136747. 3
- 485584136748. 4

**Question Number : 283 Question Id : 48558434188 Question Type : MCQ Option Shuffling : No Is Question Mandatory : No Calculator : None Response Time : N.A Think Time : N.A Minimum Instruction Time : 0**

**Correct Marks : 5 Wrong Marks : 1**

**Question Key Details :**

Key	Value
Comprehension	MCQ

Which of the following terms are used for 'peasants' in Indo-Persian sources?

- A. Raiyat
- B. Muzarian
- C. Do-Fasla
- D. Jins-i-Kamil

Choose the **correct** answer from the options given below:

- 1. A, B only
- 2. B, C only
- 3. A, C only
- 4. C, D only

**Options :**

- 485584136749. 1
- 485584136750. 2
- 485584136751. 3
- 485584136752. 4

**Question Number : 284 Question Id : 48558434189 Question Type : MCQ Option Shuffling : No Is Question Mandatory : No Calculator : None Response Time : N.A Think Time : N.A Minimum Instruction Time : 0**

**Correct Marks : 5 Wrong Marks : 1**

**Question Key Details :**

Key	Value
Comprehension	MCQ

Which of the following were part of the recommendations made by the Constituent Assembly?

- A. Seats in legislature and jobs in government offices be reserved for the lowest caste.
- B. Separate electorates for Depressed Classes.
- C. Hindu temples be thrown open to all castes.
- D. Permanently segregate them from the society.

Choose the **correct** answer from the options given below:

- 1. A, B only
- 2. B, C only
- 3. A, C only
- 4. C, D only

**Options :**

- 485584136753. 1
- 485584136754. 2
- 485584136755. 3
- 485584136756. 4

**Question Number : 285 Question Id : 48558434190 Question Type : MCQ Option Shuffling : No Is Question Mandatory : No Calculator : None Response Time : N.A Think Time : N.A Minimum Instruction Time : 0**

**Correct Marks : 5 Wrong Marks : 1**

**Question Key Details :**

Key	Value
Comprehension	MCQ

Which of the following sites was of late Harappan occupation?

- A. Sutkagendor
- B. Swat
- C. Jhukar
- D. Shortughai

Choose the **correct** answer from the options given below:

- 1. A, D only
- 2. C, D only
- 3. B, C only
- 4. C, A only

**Options :**



485584136757. 1  
485584136758. 2  
485584136759. 3  
485584136760. 4

**Question Number : 286 Question Id : 48558434191 Question Type : MCQ Option Shuffling : No Is Question Mandatory : No Calculator : None Response Time : N.A Think Time : N.A Minimum Instruction Time : 0**

**Correct Marks : 5 Wrong Marks : 1**

**Question Key Details :**

Key	Value
Comprehension	MCQ

Arrange the following in a chronological order according to the year of formation.

- A. All-India Muslim League
- B. Hindu Mahasabha
- C. 1937 Provincial Elections
- D. Lucknow Pact

Choose the **correct** answer from the options given below:

- 1. A, B, C, D
- 2. A, B, D, C
- 3. B, A, D, C
- 4. D, C, B, A

**Options :**

485584136761. 1  
485584136762. 2  
485584136763. 3  
485584136764. 4

**Question Number : 287 Question Id : 48558434192 Question Type : MCQ Option Shuffling : No Is Question Mandatory : No Calculator : None Response Time : N.A Think Time : N.A Minimum Instruction Time : 0**

**Correct Marks : 5 Wrong Marks : 1**

**Question Key Details :**

Key	Value
Comprehension	MCQ

Arrange the following sequentially as per their period of establishment.

- A. Setting up of Supreme Court, Calcutta.
- B. Universities in Bombay, Madras, Calcutta.
- C. Formation of the Asiatic Society in Bengal.
- D. The British in Bombay.

Choose the **correct** answer from the options given below:

- 1. C, B, D, A
- 2. C, B, A, D
- 3. D, A, C, B
- 4. B, C, A, D

**Options :**

- 485584136765. 1
- 485584136766. 2
- 485584136767. 3
- 485584136768. 4

**Question Number : 288 Question Id : 48558434193 Question Type : MCQ Option Shuffling : No Is Question Mandatory : No Calculator : None Response Time : N.A Think Time : N.A Minimum Instruction Time : 0**

**Correct Marks : 5 Wrong Marks : 1**

**Question Key Details :**

Key	Value
Comprehension	MCQ

Arrange the following in a hierarchal order in context of British India Company Rule.

- A. Ryots
- B. Jotedars
- C. The Permanent Settlement
- D. Zamindar

Choose the **correct** answer from the options given below:

- 1. C, B, A, D
- 2. D, B, C, A
- 3. C, D, B, A
- 4. A, C, B, A

**Options :**

- 485584136769. 1
- 485584136770. 2
- 485584136771. 3
- 485584136772. 4

**Question Number : 289 Question Id : 48558434194 Question Type : MCQ Option Shuffling : No Is Question Mandatory : No Calculator : None Response Time : N.A Think Time : N.A Minimum Instruction Time : 0**

**Correct Marks : 5 Wrong Marks : 1**

**Question Key Details :**

Key	Value
Comprehension	MCQ

Arrange the following sequentially according to their period of completion.

- A. Alamgir Nama
- B. Badshah Nama
- C. Akbar Nama
- D. Humayun Nama

Choose the **correct** answer from the options given below:

- 1. C, D, B, A
- 2. D, C, A, B
- 3. C, D, A, B
- 4. A, D, C, B

**Options :**

- 485584136773. 1
- 485584136774. 2
- 485584136775. 3
- 485584136776. 4

**Question Number : 290 Question Id : 48558434195 Question Type : MCQ Option Shuffling : No Is Question Mandatory : No Calculator : None Response Time : N.A Think Time : N.A Minimum Instruction Time : 0**

**Correct Marks : 5 Wrong Marks : 1**

**Question Key Details :**

Key	Value
Comprehension	MCQ

Arrange the following sequentially in relation to the preservation of Early monuments:

- A. Foundation of Indian Museum, Calcutta.
- B. James Fergusson's Survey
- C. H.H. Cole Appointed as Curator of Ancient Monument.
- D. Passing of Treasure Trove Act.

Choose the correct answer from the options given below:

- 1. A, C, B, D
- 2. A, B, C, D
- 3. B, C, A, D
- 4. D, A, B, C

**Options :**

485584136777. 1  
485584136778. 2  
485584136779. 3  
485584136780. 4

**Sub-Section Number :** 2  
**Sub-Section Id :** 4855842540  
**Question Shuffling Allowed :** No  
**Is Section Default? :** null

**Question Number : 291 Question Id : 48558434196 Question Type : MCQ Option Shuffling : No Is Question Mandatory : No Calculator : None Response Time : N.A Think Time : N.A Minimum Instruction Time : 0**

**Correct Marks : 5 Wrong Marks : 1**

**Question Key Details :**

Key	Value
Comprehension	Comp1

**Read the passage and answer the questions:**

Temple building in the region had a long history, going back to dynasties such as the Pallavas, Chalukyas, Hoysalas and Cholas. Rulers very often encouraged temple building as a means of associating themselves with the divine - often, the deity was explicitly or implicitly identified with the king. Temples also functioned as centres of learning. Besides, rulers and others often granted land and other resources for the maintenance of temples. Consequently, temples developed as significant religious, social, cultural and economic centres. From the point of view of the rulers, constructing, repairing and maintaining temples were important means of winning support and recognition for their power, wealth and piety.

What was the 'Kalyana mandapa' used for?

1. To worship the image of God.
2. To celebrate divine weddings.
3. For dance and music performances.
4. For drama performances.

**Options :**

485584136781. 1  
485584136782. 2  
485584136783. 3  
485584136784. 4

**Question Number : 292 Question Id : 48558434197 Question Type : MCQ Option Shuffling : No Is Question Mandatory : No Calculator : None Response Time : N.A Think Time : N.A Minimum Instruction Time : 0**

**Correct Marks : 5 Wrong Marks : 1**

**Question Key Details :**

Key	Value
Comprehension	Comp1

**Read the passage and answer the questions:**

Temple building in the region had a long history, going back to dynasties such as the Pallavas, Chalukyas, Hoysalas and Cholas. Rulers very often encouraged temple building as a means of associating themselves with the divine - often, the deity was explicitly or implicitly identified with the king. Temples also functioned as centres of learning. Besides, rulers and others often granted land and other resources for the maintenance of temples. Consequently, temples developed as significant religious, social, cultural and economic centres. From the point of view of the rulers, constructing, repairing and maintaining temples were important means of winning support and recognition for their power, wealth and piety.

Krishnadeva Raya built a hall in front of the main shrine of which of the following temples to mark his accession?

1. Hazara Rama Temple
2. Vithala Temple
3. Virupaksha Temple
4. Chidambaram Temple

**Options :**

485584136785. 1  
485584136786. 2  
485584136787. 3  
485584136788. 4

**Question Number : 293 Question Id : 48558434198 Question Type : MCQ Option Shuffling : No Is Question Mandatory : No Calculator : None Response Time : N.A Think Time : N.A Minimum Instruction Time : 0**

**Correct Marks : 5 Wrong Marks : 1**

**Question Key Details :**

Key	Value
Comprehension	Comp1

**Read the passage and answer the questions:**

Temple building in the region had a long history, going back to dynasties such as the Pallavas, Chalukyas, Hoysalas and Cholas. Rulers very often encouraged temple building as a means of associating themselves with the divine - often, the deity was explicitly or implicitly identified with the king. Temples also functioned as centres of learning. Besides, rulers and others often granted land and other resources for the maintenance of temples. Consequently, temples developed as significant religious, social, cultural and economic centres. From the point of view of the rulers, constructing, repairing and maintaining temples were important means of winning support and recognition for their power, wealth and piety.

Which of the following temple has a shrine designed as a 'chariot'?

1. Brihadeshvara Temple
2. Chidambaram Temple
3. Virupaksha Temple
4. Vitthala Temple

**Options :**

485584136789. 1  
485584136790. 2  
485584136791. 3  
485584136792. 4

**Question Number : 294 Question Id : 48558434199 Question Type : MCQ Option Shuffling : No Is Question Mandatory : No Calculator : None Response Time : N.A Think Time : N.A Minimum Instruction Time : 0**

**Correct Marks : 5 Wrong Marks : 1**

**Question Key Details :**

Key	Value
Comprehension	Comp1

**Read the passage and answer the questions:**

Temple building in the region had a long history, going back to dynasties such as the Pallavas, Chalukyas, Hoysalas and Cholas. Rulers very often encouraged temple building as a means of associating themselves with the divine - often, the deity was explicitly or implicitly identified with the king. Temples also functioned as centres of learning. Besides, rulers and others often granted land and other resources for the maintenance of temples. Consequently, temples developed as significant religious, social, cultural and economic centres. From the point of view of the rulers, constructing, repairing and maintaining temples were important means of winning support and recognition for their power, wealth and piety.

Which of the following temple portrays sculpture of scenes from the Ramayana?

1. Vitthala Temple
2. Hazar Rama Temple
3. Pampadevi Temple
4. Virupaksha Temple

**Options :**

485584136793. 1  
485584136794. 2  
485584136795. 3  
485584136796. 4

**Question Number : 295 Question Id : 48558434200 Question Type : MCQ Option Shuffling : No Is Question Mandatory : No Calculator : None Response Time : N.A Think Time : N.A Minimum Instruction Time : 0**

**Correct Marks : 5 Wrong Marks : 1**

**Question Key Details :**

Key	Value
Comprehension	Comp1

**Read the passage and answer the questions:**

Temple building in the region had a long history, going back to dynasties such as the Pallavas, Chalukyas, Hoysalas and Cholas. Rulers very often encouraged temple building as a means of associating themselves with the divine - often, the deity was explicitly or implicitly identified with the king. Temples also functioned as centres of learning. Besides, rulers and others often granted land and other resources for the maintenance of temples. Consequently, temples developed as significant religious, social, cultural and economic centres. From the point of view of the rulers, constructing, repairing and maintaining temples were important means of winning support and recognition for their power, wealth and piety.

"In our study of these monuments of Vijayanagara we have to imagine a whole series of vanished wooden elements...." Who amongst the following stated these lines?

- A. J. F. Fleet
- B. George Michell
- C. M.S. Nagaraja
- D. Fernao Nuniz

Choose the **correct** answer from the options given below:

- 1. A, B only
- 2. B, C only
- 3. C, D only
- 4. B, D only

**Options :**

- 485584136797. 1
- 485584136798. 2
- 485584136799. 3
- 485584136800. 4

**Sub-Section Number :** 3  
**Sub-Section Id :** 4855842541  
**Question Shuffling Allowed :** No  
**Is Section Default? :** null

**Question Number : 296 Question Id : 48558434201 Question Type : MCQ Option Shuffling : No Is Question Mandatory : No Calculator : None Response Time : N.A Think Time : N.A Minimum Instruction Time : 0**

**Correct Marks : 5 Wrong Marks : 1**

**Question Key Details :**

Key	Value
Comprehension	Comp2

**Read the passage and answer the questions:**

In January 1915, Mohandas Karamchand Gandhi returned to his homeland after two decades of residence abroad. These years had been spent for the most part in South Africa, where he went as a lawyer, and in time became a leader of the Indian community in that territory. As the historian Chandran Devanesan has remarked, South Africa was "the making of the Mahatma". It was in South Africa that Mahatma Gandhi first forged the distinctive techniques of non-violent protest known as satyagraha, first promoted harmony between religions, and first alerted upper-caste Indians to their discriminatory treatment of low castes and women.

In 1915, Mahatma Gandhi returned to India from which country?

1. England
2. South Africa
3. Mexico
4. Kenya

**Options :**

485584136801. 1  
485584136802. 2  
485584136803. 3  
485584136804. 4

**Question Number : 297 Question Id : 48558434202 Question Type : MCQ Option Shuffling : No Is Question Mandatory : No Calculator : None Response Time : N.A Think Time : N.A Minimum Instruction Time : 0**

**Correct Marks : 5 Wrong Marks : 1**

**Question Key Details :**

Key	Value
Comprehension	Comp2

**Read the passage and answer the questions:**

In January 1915, Mohandas Karamchand Gandhi returned to his homeland after two decades of residence abroad. These years had been spent for the most part in South Africa, where he went as a lawyer, and in time became a leader of the Indian community in that territory. As the historian Chandran Devanesan has remarked, South Africa was "the making of the Mahatma". It was in South Africa that Mahatma Gandhi first forged the distinctive techniques of non-violent protest known as satyagraha, first promoted harmony between religions, and first alerted upper-caste Indians to their discriminatory treatment of low castes and women.

Where was the technique of 'satyagraha' invented?

1. Ahmedabad
2. Champaran
3. Kheda
4. South Africa

**Options :**



485584136805. 1  
485584136806. 2  
485584136807. 3  
485584136808. 4

**Question Number : 298 Question Id : 48558434203 Question Type : MCQ Option Shuffling : No Is Question Mandatory : No Calculator : None Response Time : N.A Think Time : N.A Minimum Instruction Time : 0**

**Correct Marks : 5 Wrong Marks : 1**

**Question Key Details :**

Key	Value
Comprehension	Comp2

**Read the passage and answer the questions:**

In January 1915, Mohandas Karamchand Gandhi returned to his homeland after two decades of residence abroad. These years had been spent for the most part in South Africa, where he went as a lawyer, and in time became a leader of the Indian community in that territory. As the historian Chandran Devanesan has remarked, South Africa was "the making of the Mahatma". It was in South Africa that Mahatma Gandhi first forged the distinctive techniques of non-violent protest known as satyagraha, first promoted harmony between religions, and first alerted upper-caste Indians to their discriminatory treatment of low castes and women.

Where did Mahatma Gandhi give his first public appearance after returning to India?

1. Kheda
2. Ahmedabad
3. Champaran
4. Banaras

**Options :**

485584136809. 1  
485584136810. 2  
485584136811. 3  
485584136812. 4

**Question Number : 299 Question Id : 48558434204 Question Type : MCQ Option Shuffling : No Is Question Mandatory : No Calculator : None Response Time : N.A Think Time : N.A Minimum Instruction Time : 0**

**Correct Marks : 5 Wrong Marks : 1**

**Question Key Details :**

Key	Value
Comprehension	Comp2

**Read the passage and answer the questions:**

In January 1915, Mohandas Karamchand Gandhi returned to his homeland after two decades of residence abroad. These years had been spent for the most part in South Africa, where he went as a lawyer, and in time became a leader of the Indian community in that territory. As the historian Chandran Devanesan has remarked, South Africa was "the making of the Mahatma". It was in South Africa that Mahatma Gandhi first forged the distinctive techniques of non-violent protest known as satyagraha, first promoted harmony between religions, and first alerted upper-caste Indians to their discriminatory treatment of low castes and women.

Which historian remarked that South Africa was "the making of the Mahatma"?

1. Chandran Devanesan
2. Irfan Habib
3. Romila Thapar
4. Seema Alavi

**Options :**

- 485584136813. 1
- 485584136814. 2
- 485584136815. 3
- 485584136816. 4

**Question Number : 300 Question Id : 48558434205 Question Type : MCQ Option Shuffling : No Is Question Mandatory : No Calculator : None Response Time : N.A Think Time : N.A Minimum Instruction Time : 0**

**Correct Marks : 5 Wrong Marks : 1**

**Question Key Details :**

Key	Value
Comprehension	Comp2

**Read the passage and answer the questions:**

In January 1915, Mohandas Karamchand Gandhi returned to his homeland after two decades of residence abroad. These years had been spent for the most part in South Africa, where he went as a lawyer, and in time became a leader of the Indian community in that territory. As the historian Chandran Devanesan has remarked, South Africa was "the making of the Mahatma". It was in South Africa that Mahatma Gandhi first forged the distinctive techniques of non-violent protest known as satyagraha, first promoted harmony between religions, and first alerted upper-caste Indians to their discriminatory treatment of low castes and women.

Who was Gandhi's political mentor after his return from South Africa?

1. Mohammad Ali Jinnah
2. Gopal Krsihna Gokhale
3. Bipin Chadra Pal
4. Bal Gangadhar Tilak

**Options :**

485584136817. 1  
485584136818. 2  
485584136819. 3  
485584136820. 4

### KTPI

**Group Number :** 11  
**Group Id :** 485584778  
**Group Maximum Duration :** 45  
**Group Minimum Duration :** 45  
**Show Attended Group? :** No  
**Edit Attended Group? :** No  
**Break time :** 0  
**Group Marks :** 200  
**Is this Group for Examiner? :** No  
**Examiner permission :** Cant View  
**Show Progress Bar? :** No

### KTPI

**Section Id :** 485584896  
**Section Number :** 1  
**Section type :** Online  
**Mandatory or Optional :** Mandatory  
**Number of Questions :** 50  
**Number of Questions to be attempted :** 40  
**Section Marks :** 200  
**Enable Mark as Answered Mark for Review and Clear Response :** Yes  
**Maximum Instruction Time :** 0  
**Sub-Section Number :** 1  
**Sub-Section Id :** 4855842542  
**Question Shuffling Allowed :** Yes  
**Is Section Default? :** null

**Question Number : 301 Question Id : 48558434256 Question Type : MCQ Option Shuffling : No Is Question Mandatory : No Calculator : None Response Time : N.A Think Time : N.A Minimum Instruction Time : 0**

**Correct Marks : 5 Wrong Marks : 1**

**Question Key Details :**

Key	Value
Comprehension	MCQ

How many purusarthas are defined in Hindu way of life?

1. 5
2. 4
3. 2
4. 3

**Options :**

- 485584137021. 1
- 485584137022. 2
- 485584137023. 3
- 485584137024. 4

**Question Number : 301 Question Id : 48558434256 Question Type : MCQ Option Shuffling : No Is Question Mandatory : No Calculator : None Response Time : N.A Think Time : N.A Minimum Instruction Time : 0**

**Correct Marks : 5 Wrong Marks : 1**

**Question Key Details :**

Key	Value
Comprehension	MCQ

ହିନ୍ଦୁ ଜୀବନ ଶୈଳୀରେ କେତେ ପ୍ରକାର ପୁରୁଷାର୍ଥ ନିରୂପଣ ହୋଇଛି?

- 1. ୫
- 2. ୪
- 3. ୨
- 4. ୩

**Options :**

- 485584137021. 1
- 485584137022. 2
- 485584137023. 3
- 485584137024. 4

**Question Number : 302 Question Id : 48558434257 Question Type : MCQ Option Shuffling : No Is Question Mandatory : No Calculator : None Response Time : N.A Think Time : N.A Minimum Instruction Time : 0**

**Correct Marks : 5 Wrong Marks : 1**

**Question Key Details :**

Key	Value
Comprehension	MCQ

The word Dhamma is used in :

- 1. Rgveda
- 2. Bhagavad-Gita
- 3. Jain Ethics
- 4. Buddhism

**Options :**

- 485584137025. 1
- 485584137026. 2
- 485584137027. 3
- 485584137028. 4

Question Number : 302 Question Id : 48558434257 Question Type : MCQ Option Shuffling : No Is Question Mandatory : No Calculator : None Response Time : N.A Think Time : N.A Minimum Instruction Time : 0

Correct Marks : 5 Wrong Marks : 1

Question Key Details :

Key	Value
Comprehension	MCQ

ଶିବ ଧର୍ମଟି ବ୍ୟବହାର ହୁଏ \_\_\_\_\_

1. ରଗବେଦ
2. ଭାଗବତ-ଗୀତା
3. ଜୈନ ନୈତିକତା
4. ବୈଦିଧର୍ମ

Options :

485584137025. 1  
485584137026. 2  
485584137027. 3  
485584137028. 4

Question Number : 303 Question Id : 48558434258 Question Type : MCQ Option Shuffling : No Is Question Mandatory : No Calculator : None Response Time : N.A Think Time : N.A Minimum Instruction Time : 0

Correct Marks : 5 Wrong Marks : 1

Question Key Details :

Key	Value
Comprehension	MCQ

Which stage of life is the grahastha, stage of the householder in the Hindu way of life?

1. 4
2. 2
3. 1
4. 3

Options :

485584137029. 1  
485584137030. 2  
485584137031. 3  
485584137032. 4

Question Number : 303 Question Id : 48558434258 Question Type : MCQ Option Shuffling : No Is Question Mandatory : No Calculator : None Response Time : N.A Think Time : N.A Minimum Instruction Time : 0

Correct Marks : 5 Wrong Marks : 1

Question Key Details :

Key	Value
Comprehension	MCQ

ଜୀବନର କେଉଁ ପର୍ଯ୍ୟାୟକୁ ଗ୍ରାହ୍ୟସ୍ଥ କୁହାଯାଏ, ହିନ୍ଦୁ ଜୀବନଶୈଳୀରେ ଘର କରିବାର ପର୍ଯ୍ୟାୟ

1. ୪

2. ୨

3. ୧

4. ୩

**Options :**

485584137029. 1

485584137030. 2

485584137031. 3

485584137032. 4

**Question Number : 304 Question Id : 48558434259 Question Type : MCQ Option Shuffling : No Is Question Mandatory : No Calculator : None Response Time : N.A Think Time : N.A Minimum Instruction Time : 0**

**Correct Marks : 5 Wrong Marks : 1**

**Question Key Details :**

Key	Value
Comprehension	MCQ

Who among the following is associated with Niti Satakam?

1. Vidur

2. Sukracarya

3. Bhartrhari

4. King Bhoja

**Options :**

485584137033. 1

485584137034. 2

485584137035. 3

485584137036. 4

**Question Number : 304 Question Id : 48558434259 Question Type : MCQ Option Shuffling : No Is Question Mandatory : No Calculator : None Response Time : N.A Think Time : N.A Minimum Instruction Time : 0**

**Correct Marks : 5 Wrong Marks : 1**

**Question Key Details :**

Key	Value
Comprehension	MCQ

ନିମ୍ନଲିଖିତ ମଧ୍ୟରୁ କିଏ ନୀତି ସତକର୍ମ ସହ ସଂଶ୍ଳିଷ୍ଟ ।

1. ବିଦୁର
2. ଶୁକ୍ରାଚାର୍ଯ୍ୟ
3. ଭରତହରି
4. ରାଜା ଭୋଜ

**Options :**

485584137033. 1  
485584137034. 2  
485584137035. 3  
485584137036. 4

**Question Number : 305 Question Id : 48558434260 Question Type : MCQ Option Shuffling : No Is Question Mandatory : No Calculator : None Response Time : N.A Think Time : N.A Minimum Instruction Time : 0**

**Correct Marks : 5 Wrong Marks : 1**

**Question Key Details :**

Key	Value
Comprehension	MCQ

Which among the following is the basis of the Buddhist ethics?

1. Compassion
2. Friendliness
3. Good will
4. Four Noble Truths

**Options :**

485584137037. 1  
485584137038. 2  
485584137039. 3  
485584137040. 4

**Question Number : 305 Question Id : 48558434260 Question Type : MCQ Option Shuffling : No Is Question Mandatory : No Calculator : None Response Time : N.A Think Time : N.A Minimum Instruction Time : 0**

**Correct Marks : 5 Wrong Marks : 1**

**Question Key Details :**

Key	Value
Comprehension	MCQ

ନିମ୍ନଲିଖିତ ମଧ୍ୟରୁ କେଉଁଟି ବୁଦ୍ଧ ନୈତିକତାରେ ଆଧାରିତ

1. ଦୟା
2. ବନ୍ଧୁତା
3. ଉତ୍ତମ ଜନ୍ମ
4. ଚାରି ଉତ୍ତମ ସତ୍ୟ

**Options :**

485584137037. 1  
485584137038. 2  
485584137039. 3  
485584137040. 4

**Question Number : 306 Question Id : 48558434261 Question Type : MCQ Option Shuffling : No Is Question Mandatory : No Calculator : None Response Time : N.A Think Time : N.A Minimum Instruction Time : 0**

**Correct Marks : 5 Wrong Marks : 1**

**Question Key Details :**

Key	Value
Comprehension	MCQ

In which age the tradition of excavating cave temples and monolithic shrines evolved into the construction of brick and stone temple

1. Maurya age
2. Gupta age
3. Kushan age
4. Mughal age

**Options :**

485584137041. 1  
485584137042. 2  
485584137043. 3  
485584137044. 4

**Question Number : 306 Question Id : 48558434261 Question Type : MCQ Option Shuffling : No Is Question Mandatory : No Calculator : None Response Time : N.A Think Time : N.A Minimum Instruction Time : 0**

**Correct Marks : 5 Wrong Marks : 1**

**Question Key Details :**

Key	Value
Comprehension	MCQ



କେଉଁ ସମୟରେ ଖନନ ଗୁମ୍ଫା ମନ୍ଦିର ଓ ମନୋଲିପିକୁ କ୍ଷେତ୍ର ପ୍ରଥା ଥିଲା ଯାହା ଜଣା ଓ ପଥର ମନ୍ଦିରରେ ବିକଶିତ ହେଲା ।

1. ମୌର୍ଯ୍ୟ ସମୟ
2. ଗୁପ୍ତ ସମୟ
3. କୁଶାନ ସମୟ
4. ମୋଗଲ ସମୟ

**Options :**

485584137041. 1  
485584137042. 2  
485584137043. 3  
485584137044. 4

**Question Number : 307 Question Id : 48558434262 Question Type : MCQ Option Shuffling : No Is Question Mandatory : No Calculator : None Response Time : N.A Think Time : N.A Minimum Instruction Time : 0**

**Correct Marks : 5 Wrong Marks : 1**

**Question Key Details :**

Key	Value
Comprehension	MCQ

Match List I with List II

LIST I		LIST II	
A.	Kuchipudi	I.	Uttar Pradesh
B.	Sattriya	II.	Tamil Nadu
C.	Kathak	III.	Andhra Pradesh
D.	Bharatanatyam	IV.	Assam

Choose the correct answer from the options given below:

1. A-III, B-I, C-IV, D-II
2. A-IV, B-II, C-I, D-III
3. A-III, B-IV, C-I, D-II
4. A-I, B-III, C-II, D-IV

**Options :**

485584137045. 1  
485584137046. 2  
485584137047. 3  
485584137048. 4

**Question Number : 307 Question Id : 48558434262 Question Type : MCQ Option Shuffling : No Is Question Mandatory : No Calculator : None Response Time : N.A Think Time : N.A Minimum Instruction Time : 0**

**Correct Marks : 5 Wrong Marks : 1**

**Question Key Details :**

Key	Value
-----	-------

ତାଲିକା-I ସହ ତାଲିକା-IIର ସଠିକ୍ ସଂଯୋଗ କର ।

ତାଲିକା-I		ତାଲିକା-II	
A.	କୁଟିପୁଡ଼ି	I.	ଉତ୍ତର ପ୍ରଦେଶ
B.	ସରାରିଆ	II.	ତାମିଲନାଡୁ
C.	କଥକ	III.	ଆନ୍ଧ୍ରପ୍ରଦେଶ
D.	ଉତ୍ତରାଖ୍ୟା	IV.	ଆସାମ

ନିମ୍ନଲିଖିତ ବିକଳ୍ପ ମାନଙ୍କ ମଧ୍ୟରୁ ସଠିକ୍ ଉତ୍ତର ବାଛି ଲେଖ:

1. A-III, B-I, C-IV, D-II
2. A-IV, B-II, C-I, D-III
3. A-III, B-IV, C-I, D-II
4. A-I, B-III, C-II, D-IV

**Options :**

485584137045. 1  
485584137046. 2  
485584137047. 3  
485584137048. 4

**Question Number : 308 Question Id : 48558434263 Question Type : MCQ Option Shuffling : No Is Question Mandatory : No Calculator : None Response Time : N.A Think Time : N.A Minimum Instruction Time : 0**

**Correct Marks : 5 Wrong Marks : 1**

**Question Key Details :**

Key	Value
Comprehension	MCQ

In India where do you find sculptures depicting odissi style?

1. Caves of Ellora
2. Caves of Udayagiri and Khandagiri
3. Caves of Ajanta
4. Caves of Nilgiri

**Options :**

485584137049. 1  
485584137050. 2  
485584137051. 3  
485584137052. 4

**Question Number : 308 Question Id : 48558434263 Question Type : MCQ Option Shuffling : No Is Question Mandatory : No Calculator : None Response Time : N.A Think Time : N.A Minimum Instruction Time : 0**

**Correct Marks : 5 Wrong Marks : 1**

**Question Key Details :**

Key	Value
Comprehension	MCQ

ଭାରତରେ କେଉଁଟି ସ୍ଥାପତ୍ୟ ସବୁ ତମେ ପାଇବ ଯାହା ଓଡ଼ିଶା ପରି ଦୃଶ୍ୟ ହେଉଥିବ?

1. ଏଲୋରା ଗୁମ୍ଫା
2. ଭଦ୍ରଗିରି ଓ ଖଣ୍ଡଗିରିର ଗୁମ୍ଫା
3. ଅଜନ୍ତାର ଗୁମ୍ଫା
4. ନୀଳଗିରିର ଗୁମ୍ଫା

**Options :**

485584137049. 1  
485584137050. 2  
485584137051. 3  
485584137052. 4

**Question Number : 309 Question Id : 48558434264 Question Type : MCQ Option Shuffling : No Is Question Mandatory : No Calculator : None Response Time : N.A Think Time : N.A Minimum Instruction Time : 0**

**Correct Marks : 5 Wrong Marks : 1**

**Question Key Details :**

Key	Value
Comprehension	MCQ

In 1930s, E. Krishna Iyer and Rukmini Devi Arundale renamed Sadirattam as \_\_\_\_\_?

1. Odissi
2. Kucipudi
3. Manipuri
4. Bharatanatyam

**Options :**

485584137053. 1  
485584137054. 2  
485584137055. 3  
485584137056. 4

**Question Number : 309 Question Id : 48558434264 Question Type : MCQ Option Shuffling : No Is Question Mandatory : No Calculator : None Response Time : N.A Think Time : N.A Minimum Instruction Time : 0**

**Correct Marks : 5 Wrong Marks : 1**

**Question Key Details :**

Key	Value
Comprehension	MCQ

1930 ଦଶକରେ, E. Krishna Iyer ଏବଂ Rukmini Devi Arundale Sadirattam ନାମରେ ନାମିତ ହେଲା \_\_\_\_\_ ?

1. ଓଡ଼ିଶା
2. କୁଚିପୁଡ଼ି
3. ମଣିପୁରୀ
4. ଭରତନାଟ୍ୟମ୍

**Options :**

485584137053. 1  
485584137054. 2  
485584137055. 3  
485584137056. 4

**Question Number : 310 Question Id : 48558434265 Question Type : MCQ Option Shuffling : No Is Question Mandatory : No Calculator : None Response Time : N.A Think Time : N.A Minimum Instruction Time : 0**

**Correct Marks : 5 Wrong Marks : 1**

**Question Key Details :**

Key	Value
Comprehension	MCQ

The ( Brhadesvara ) temple of Thanjavur belongs to which century?

1. 9th century
2. 10th Century
3. 11th Century
4. 12th Century

**Options :**

485584137057. 1  
485584137058. 2  
485584137059. 3  
485584137060. 4

**Question Number : 310 Question Id : 48558434265 Question Type : MCQ Option Shuffling : No Is Question Mandatory : No Calculator : None Response Time : N.A Think Time : N.A Minimum Instruction Time : 0**

**Correct Marks : 5 Wrong Marks : 1**

**Question Key Details :**

Key	Value
Comprehension	MCQ

(ଭଦ୍ରେଶ୍ୱର) ତାଞ୍ଜାଭୂରର ମନ୍ଦିର କେଉଁ ଶତାବ୍ଦୀର?

1. 9th ଶତାବ୍ଦୀ
2. 10th ଶତାବ୍ଦୀ
3. 11th ଶତାବ୍ଦୀ
4. 12th ଶତାବ୍ଦୀ

**Options :**

485584137057. 1  
485584137058. 2  
485584137059. 3  
485584137060. 4

**Question Number : 311 Question Id : 48558434266 Question Type : MCQ Option Shuffling : No Is Question Mandatory : No Calculator : None Response Time : N.A Think Time : N.A Minimum Instruction Time : 0**

**Correct Marks : 5 Wrong Marks : 1**

**Question Key Details :**

Key	Value
Comprehension	MCQ

Dharma required all including students in the ancient days to perform their

1. Work
2. Skills
3. Duty
4. Prayers

**Options :**

485584137061. 1  
485584137062. 2  
485584137063. 3  
485584137064. 4

**Question Number : 311 Question Id : 48558434266 Question Type : MCQ Option Shuffling : No Is Question Mandatory : No Calculator : None Response Time : N.A Think Time : N.A Minimum Instruction Time : 0**

**Correct Marks : 5 Wrong Marks : 1**

**Question Key Details :**

Key	Value
Comprehension	MCQ

ପୁରାତନ ସମୟରେ ଛାତ୍ରଛାତ୍ରୀମାନେ କଣ ପ୍ରଦର୍ଶନ କରିବା ପାଇଁ ଧର୍ମ ଆବଶ୍ୟକ ହେଉଥିଲା?

1. କାମ
2. ଦକ୍ଷତା
3. କର୍ତ୍ତବ୍ୟ
4. ପ୍ରାର୍ଥନା

**Options :**

485584137061. 1  
485584137062. 2  
485584137063. 3  
485584137064. 4

**Question Number : 312 Question Id : 48558434267 Question Type : MCQ Option Shuffling : No Is Question Mandatory : No Calculator : None Response Time : N.A Think Time : N.A Minimum Instruction Time : 0**

**Correct Marks : 5 Wrong Marks : 1**

**Question Key Details :**

Key	Value
Comprehension	MCQ

The Sastras are classified into:

1. Sastra and Kavya
2. Pauruseya and Apauruseya
3. Vedas and Vedangas
4. Siksa and Kalpa

**Options :**

485584137065. 1  
485584137066. 2  
485584137067. 3  
485584137068. 4

**Question Number : 312 Question Id : 48558434267 Question Type : MCQ Option Shuffling : No Is Question Mandatory : No Calculator : None Response Time : N.A Think Time : N.A Minimum Instruction Time : 0**

**Correct Marks : 5 Wrong Marks : 1**

**Question Key Details :**

Key	Value
Comprehension	MCQ

ଶାସ୍ତ୍ର ଶ୍ରେଣୀଭୁକ୍ତ ହୋଇଛି

1. ଶାସ୍ତ୍ର ଓ କାବ୍ୟ
2. ପୌରୁଷେୟ ଓ ଅପୌରୁଷେୟ
3. ବେଦ ଓ ବେଦାଙ୍ଗ
4. ଶିକ୍ଷା ଓ କଳ୍ପ

**Options :**

485584137065. 1  
485584137066. 2  
485584137067. 3  
485584137068. 4

**Question Number : 313 Question Id : 48558434268 Question Type : MCQ Option Shuffling : No Is Question Mandatory : No Calculator : None Response Time : N.A Think Time : N.A Minimum Instruction Time : 0**

**Correct Marks : 5 Wrong Marks : 1**

**Question Key Details :**

Key	Value
Comprehension	MCQ

Which among the following is not a part of Vedanga?

1. Siksa
2. Kavya
3. Kalpa
4. Vyakarana

**Options :**

485584137069. 1  
485584137070. 2  
485584137071. 3  
485584137072. 4

**Question Number : 313 Question Id : 48558434268 Question Type : MCQ Option Shuffling : No Is Question Mandatory : No Calculator : None Response Time : N.A Think Time : N.A Minimum Instruction Time : 0**

**Correct Marks : 5 Wrong Marks : 1**

**Question Key Details :**

Key	Value
Comprehension	MCQ

ନିମ୍ନଲିଖିତ ମଧ୍ୟରୁ କେଉଁଟି ବେଦାଙ୍ଗର ଅଂଶ ନୁହେଁ?

1. ଶିକ୍ଷା

2. କାବ୍ୟ

3. ଜଞ୍ଜ

4. ବ୍ୟାକରଣ

**Options :**

485584137069. 1

485584137070. 2

485584137071. 3

485584137072. 4

**Question Number : 314 Question Id : 48558434269 Question Type : MCQ Option Shuffling : No Is Question Mandatory : No Calculator : None Response Time : N.A Think Time : N.A Minimum Instruction Time : 0**

**Correct Marks : 5 Wrong Marks : 1**

**Question Key Details :**

Key	Value
Comprehension	MCQ

Pauruseya literature is also known as

1. Sruti literature

2. Sastrartha

3. Kavya

4. Smriti Literature

**Options :**

485584137073. 1

485584137074. 2

485584137075. 3

485584137076. 4

**Question Number : 314 Question Id : 48558434269 Question Type : MCQ Option Shuffling : No Is Question Mandatory : No Calculator : None Response Time : N.A Think Time : N.A Minimum Instruction Time : 0**

**Correct Marks : 5 Wrong Marks : 1**

**Question Key Details :**

Key	Value
Comprehension	MCQ



ପୁରୁଷେନ୍ଦ୍ର ସାହିତ୍ୟ ଆଠ ମଧ୍ୟ ଜଣାଶୁଣା ।

1. ଶୃତି ସାହିତ୍ୟ
2. ଶାସ୍ତ୍ରାର୍ଥ
3. କାବ୍ୟ
4. ସ୍ମୃତି ସାହିତ୍ୟ

**Options :**

485584137073. 1  
485584137074. 2  
485584137075. 3  
485584137076. 4

**Question Number : 315 Question Id : 48558434270 Question Type : MCQ Option Shuffling : No Is Question Mandatory : No Calculator : None Response Time : N.A Think Time : N.A Minimum Instruction Time : 0**

**Correct Marks : 5 Wrong Marks : 1**

**Question Key Details :**

Key	Value
Comprehension	MCQ

Which among the following is not a stage of path to knowledge as given in the Brhadaranyaka upanisad?

1. Sravana
2. Sastrartha
3. Manana
4. Nidhidhyasana

**Options :**

485584137077. 1  
485584137078. 2  
485584137079. 3  
485584137080. 4

**Question Number : 315 Question Id : 48558434270 Question Type : MCQ Option Shuffling : No Is Question Mandatory : No Calculator : None Response Time : N.A Think Time : N.A Minimum Instruction Time : 0**

**Correct Marks : 5 Wrong Marks : 1**

**Question Key Details :**

Key	Value
Comprehension	MCQ

ବୃହଦ୍‌ଆରଣ୍ୟକ ଉପନିଷଦରେ ଯେପରି ଦିଆଯାଇଛି, ନିମ୍ନଲିଖିତ ମଧ୍ୟରୁ କେଉଁଟି ଜ୍ଞାନ ମାର୍ଗର ଧରା ଦୁହେଁ?

1. ଶ୍ରବଣ
2. ଶାସ୍ତ୍ରାର୍ଥ
3. ମନନ
4. ନିଧ୍ୟାସନ

**Options :**

485584137077. 1  
485584137078. 2  
485584137079. 3  
485584137080. 4

**Question Number : 316 Question Id : 48558434271 Question Type : MCQ Option Shuffling : No Is Question Mandatory : No Calculator : None Response Time : N.A Think Time : N.A Minimum Instruction Time : 0**

**Correct Marks : 5 Wrong Marks : 1**

**Question Key Details :**

Key	Value
Comprehension	MCQ

Arrange the four ends of life (Purusartha Catustaya) in sequence.

- A. Kama
- B. Moksa
- C. Artha
- D. Dharma

Choose the correct answer from the options given below:

1. A, B, D, C
2. B, C, A, D
3. D, C, A, B
4. C, A, B, D

**Options :**

485584137081. 1  
485584137082. 2  
485584137083. 3  
485584137084. 4

**Question Number : 316 Question Id : 48558434271 Question Type : MCQ Option Shuffling : No Is Question Mandatory : No Calculator : None Response Time : N.A Think Time : N.A Minimum Instruction Time : 0**

**Correct Marks : 5 Wrong Marks : 1**

**Question Key Details :**

Key	Value
Comprehension	MCQ

କ୍ରମାନ୍ୱୟରେ ଚାରୋଟି ଜୀବନ କିପରି ଶେଷ ହୁଏ ସଜାଡ଼ି ଲେଖ ।

- A. କାମ
- B. ମୋକ୍ଷ
- C. ଅର୍ଥ
- D. ଧର୍ମ

ନିମ୍ନଲିଖିତ ବିକଳ୍ପ ମାନଙ୍କ ମଧ୍ୟରୁ ସଠିକ୍ ଉତ୍ତର ବାଛି ଲେଖ:

1. A, B, D, C
2. B, C, A, D
3. D, C, A, B
4. C, A, B, D

**Options :**

- 485584137081. 1
- 485584137082. 2
- 485584137083. 3
- 485584137084. 4

**Question Number : 317 Question Id : 48558434272 Question Type : MCQ Option Shuffling : No Is Question Mandatory : No Calculator : None Response Time : N.A Think Time : N.A Minimum Instruction Time : 0**

**Correct Marks : 5 Wrong Marks : 1**

**Question Key Details :**

Key	Value
Comprehension	MCQ

Name the Chinese Scholars who visited Nalanda in the 7th century CE.

- A. I-tsing
- B. Hsuan-tsang
- C. Ba Jin
- D. Kang Youwei

Choose the correct answer from the options given below:

1. A and B only
2. B and C only
3. C and D only
4. D and A only

**Options :**

- 485584137085. 1
- 485584137086. 2
- 485584137087. 3
- 485584137088. 4

Question Number : 317 Question Id : 48558434272 Question Type : MCQ Option Shuffling : No Is Question Mandatory : No Calculator : None Response Time : N.A Think Time : N.A Minimum Instruction Time : 0

Correct Marks : 5 Wrong Marks : 1

Question Key Details :

Key	Value
Comprehension	MCQ

ଉତ୍ତର ଶତାବ୍ଦୀରେ ନାଳନ୍ଦା ଭ୍ରମଣ ପାଇଁ ଆସିଥିବା

- A. ଇତ୍ସିଙ୍ଗ
- B. ହୁଏନ୍ସାଙ୍ଗ
- C. ବାଜିନ୍
- D. କାଙ୍ଗ୍ ଯୁଝେଇ

ନିମ୍ନଲିଖିତ ବିକଳ୍ପ ମାନଙ୍କ ମଧ୍ୟରୁ ସଠିକ୍ ଉତ୍ତର ବାଛି ଲେଖ:

- 1. A and B only
- 2. B and C only
- 3. C and D only
- 4. D and A only

Options :

- 485584137085. 1
- 485584137086. 2
- 485584137087. 3
- 485584137088. 4

Question Number : 318 Question Id : 48558434273 Question Type : MCQ Option Shuffling : No Is Question Mandatory : No Calculator : None Response Time : N.A Think Time : N.A Minimum Instruction Time : 0

Correct Marks : 5 Wrong Marks : 1

Question Key Details :

Key	Value
Comprehension	MCQ

Match List I with List II

LIST I		LIST II	
A.	Krida	I.	Archery, sword play
B.	Vyayama Prakara	II.	Pranayama, asana
C.	Yoga - Sadhana	III.	games, recreational activities
D.	Dhanurveda	IV.	Various types of exercises

Choose the correct answer from the options given below:

1. A-III, B-II, C-IV, D-I
2. A-II, B-III, C-I, D-IV
3. A-III, B-IV, C-II, D-I
4. A-I, B-II, C-III, D-IV

**Options :**

485584137089. 1  
485584137090. 2  
485584137091. 3  
485584137092. 4

**Question Number : 318 Question Id : 48558434273 Question Type : MCQ Option Shuffling : No Is Question Mandatory : No Calculator : None Response Time : N.A Think Time : N.A Minimum Instruction Time : 0**

**Correct Marks : 5 Wrong Marks : 1**

**Question Key Details :**

Key	Value
Comprehension	MCQ

ତାଲିକା-I ସହ ତାଲିକା-IIର ସଠିକ୍ ସଂଯୋଗ କର ।

ତାଲିକା-I		ତାଲିକା-II	
A.	କ୍ରିଦା	I.	ଧନୁସର-ତୀ, ଖଣ୍ଡା ଖେଳ
B.	ବ୍ୟାୟାମ ପ୍ରକାର	II.	ପ୍ରାଣାୟାମ, ଆସନ
C.	ଯୋଗ-ସାଧନା	III.	ଖେଳ, ମନୋରଞ୍ଜନ କାର୍ଯ୍ୟକଳାପ
D.	ଧନୁର୍ବେଦ	IV.	ବିଭିନ୍ନ ପ୍ରକାର ଅଭ୍ୟାସ/ବ୍ୟାୟାମ

ନିମ୍ନଲିଖିତ ବିକଳ୍ପ ମାନଙ୍କ ମଧ୍ୟରୁ ସଠିକ୍ ଉତ୍ତର ବାଛି ଲେଖ:

1. A-III, B-II, C-IV, D-I
2. A-II, B-III, C-I, D-IV
3. A-III, B-IV, C-II, D-I
4. A-I, B-II, C-III, D-IV

**Options :**

485584137089. 1  
485584137090. 2

485584137091. 3  
485584137092. 4

**Question Number : 319 Question Id : 48558434274 Question Type : MCQ Option Shuffling : No Is Question Mandatory : No Calculator : None Response Time : N.A Think Time : N.A Minimum Instruction Time : 0**

**Correct Marks : 5 Wrong Marks : 1**

**Question Key Details :**

Key	Value
Comprehension	MCQ

Three gems in life are right vision, right knowledge and \_\_\_\_\_

1. right choice
2. right step
3. right conduct
4. right word

**Options :**

485584137093. 1  
485584137094. 2  
485584137095. 3  
485584137096. 4

**Question Number : 319 Question Id : 48558434274 Question Type : MCQ Option Shuffling : No Is Question Mandatory : No Calculator : None Response Time : N.A Think Time : N.A Minimum Instruction Time : 0**

**Correct Marks : 5 Wrong Marks : 1**

**Question Key Details :**

Key	Value
Comprehension	MCQ

ଜୀବନର ତିନୋଟି ରତ୍ନ ହେଉଛି, ସଦ୍‌ଦୃଷ୍ଟି, ସଦ୍‌ଜ୍ଞାନ ଓ \_\_\_\_\_

1. ସଦ୍‌ପସନ୍ଦ
2. ସଦ୍‌ସ୍ତର
3. ସଦ୍‌ଆଚରଣ
4. ସଦ୍‌ଶବ୍ଦ

**Options :**

485584137093. 1  
485584137094. 2  
485584137095. 3  
485584137096. 4

**Question Number : 320 Question Id : 48558434275 Question Type : MCQ Option Shuffling : No Is Question Mandatory : No Calculator : None Response Time : N.A Think Time : N.A Minimum Instruction Time : 0**

**Correct Marks : 5 Wrong Marks : 1**

**Question Key Details :**

Key	Value
Comprehension	MCQ

According to Jainism Spiritual growth is dependent upon \_\_\_\_\_

1. religious rituals
2. hygienic food
3. meditation
4. right conduct

**Options :**

485584137097. 1  
485584137098. 2  
485584137099. 3  
485584137100. 4

**Question Number : 320 Question Id : 48558434275 Question Type : MCQ Option Shuffling : No Is Question Mandatory : No Calculator : None Response Time : N.A Think Time : N.A Minimum Instruction Time : 0**

**Correct Marks : 5 Wrong Marks : 1**

**Question Key Details :**

Key	Value
Comprehension	MCQ

ଜୈନଧର୍ମ ଅନୁଯାୟୀ ଆଧ୍ୟାତ୍ମିକ ବୃଦ୍ଧି ନିର୍ଭର କରେ \_\_\_\_\_

1. ଧାର୍ମିକ ରୀତିନୀତି
2. ସୁସ୍ଥ ଖାଦ୍ୟ
3. ଧ୍ୟାନ
4. ସତ୍ ଆଚରଣ

**Options :**

485584137097. 1  
485584137098. 2  
485584137099. 3  
485584137100. 4

**Question Number : 321 Question Id : 48558434276 Question Type : MCQ Option Shuffling : No Is Question Mandatory : No Calculator : None Response Time : N.A Think Time : N.A Minimum Instruction Time : 0**

**Correct Marks : 5 Wrong Marks : 1**

**Question Key Details :**

Key	Value
Comprehension	MCQ

Who are the first poets according to the ancient Indian Tradition?

1. Rshis
2. Vedic Seers
3. Dialecticians
4. Grammarians

**Options :**

485584137101. 1  
485584137102. 2  
485584137103. 3  
485584137104. 4

**Question Number : 321 Question Id : 48558434276 Question Type : MCQ Option Shuffling : No Is Question Mandatory : No Calculator : None Response Time : N.A Think Time : N.A Minimum Instruction Time : 0**

**Correct Marks : 5 Wrong Marks : 1**

**Question Key Details :**

Key	Value
Comprehension	MCQ

ପୁରାତନ ଭାରତୀୟ ପ୍ରଥା ଅନୁଯାୟୀ କିଏ ସର୍ବପ୍ରଥମ କବି?

1. ରଶି
2. ବୈଦିକ ଦର୍ଶନ
3. ପ୍ରବଚନ
4. ବ୍ୟାକରଣ କାର

**Options :**

485584137101. 1  
485584137102. 2  
485584137103. 3  
485584137104. 4

**Question Number : 322 Question Id : 48558434277 Question Type : MCQ Option Shuffling : No Is Question Mandatory : No Calculator : None Response Time : N.A Think Time : N.A Minimum Instruction Time : 0**

**Correct Marks : 5 Wrong Marks : 1**

**Question Key Details :**

Key	Value
Comprehension	MCQ



Which among the following is referred as 'one of the living monuments of human intelligence'?

1. Language
2. Astadhyayi
3. Mahabhasya
4. Vakyapadiya

**Options :**

485584137105. 1  
485584137106. 2  
485584137107. 3  
485584137108. 4

**Question Number : 322 Question Id : 48558434277 Question Type : MCQ Option Shuffling : No Is Question Mandatory : No Calculator : None Response Time : N.A Think Time : N.A Minimum Instruction Time : 0**

**Correct Marks : 5 Wrong Marks : 1**

**Question Key Details :**

Key	Value
Comprehension	MCQ

ନିମ୍ନୋକ୍ତ ମଧ୍ୟରୁ କେଉଁଟି "ମନୁଷ୍ୟ ବୁଦ୍ଧିର ଚକ୍ର ଶ୍ଵାରକୀଙ୍କ ମଧ୍ୟେ ଜଣେ" ଭାବେ ନିସ୍ଵତ?

1. ଭାଷା
2. ଅଷ୍ଟାଧ୍ୟାୟୀ
3. ମହାଭାଷ୍ୟ
4. ବାକ୍ୟ ପଦୀୟା

**Options :**

485584137105. 1  
485584137106. 2  
485584137107. 3  
485584137108. 4

**Question Number : 323 Question Id : 48558434278 Question Type : MCQ Option Shuffling : No Is Question Mandatory : No Calculator : None Response Time : N.A Think Time : N.A Minimum Instruction Time : 0**

**Correct Marks : 5 Wrong Marks : 1**

**Question Key Details :**

Key	Value
Comprehension	MCQ

How many sutras are given in the invaluable work of Panini's Astadhyayi?

1. 2,000
2. 1,000
3. 4,000
4. 3,000

**Options :**

485584137109. 1  
485584137110. 2  
485584137111. 3  
485584137112. 4

**Question Number : 323 Question Id : 48558434278 Question Type : MCQ Option Shuffling : No Is Question Mandatory : No Calculator : None Response Time : N.A Think Time : N.A Minimum Instruction Time : 0**

**Correct Marks : 5 Wrong Marks : 1**

**Question Key Details :**

Key	Value
Comprehension	MCQ

ପାଣିନୀଙ୍କ ଅଷ୍ଟାଧ୍ୟାୟୀରେ ଅମୂଲ୍ୟ କାର୍ଯ୍ୟରେ କେତୋଟି ସୂତ୍ର ଅଛି?

1. ୨୦୦୦
2. ୧୦୦୦
3. ୪୦୦୦
4. ୩୦୦୦

**Options :**

485584137109. 1  
485584137110. 2  
485584137111. 3  
485584137112. 4

**Question Number : 324 Question Id : 48558434279 Question Type : MCQ Option Shuffling : No Is Question Mandatory : No Calculator : None Response Time : N.A Think Time : N.A Minimum Instruction Time : 0**

**Correct Marks : 5 Wrong Marks : 1**

**Question Key Details :**

Key	Value
Comprehension	MCQ

Match List I with List II

LIST I		LIST II	
A.	Ghumar	I.	Ring dance
B.	Kalbela	II.	Rhythmic Clapping
C.	Giddha	III.	Swirling robes
D.	Garba	IV.	Black Swirling skirts

Choose the correct answer from the options given below:

1. A-I, B-II, C-III, D-IV
2. A-III, B-IV, C-I, D-II
3. A-II, B-III, C-IV, D-I
4. A-I, B-II, C-IV, D-III

**Options :**

485584137113. 1  
485584137114. 2  
485584137115. 3  
485584137116. 4

**Question Number : 324 Question Id : 48558434279 Question Type : MCQ Option Shuffling : No Is Question Mandatory : No Calculator : None Response Time : N.A Think Time : N.A Minimum Instruction Time : 0**

**Correct Marks : 5 Wrong Marks : 1**

**Question Key Details :**

Key	Value
Comprehension	MCQ

ତାଲିକା-I ସହ ତାଲିକା-IIର ସଠିକ୍ ସଂଯୋଗ କର ।

ତାଲିକା-I		ତାଲିକା-II	
A.	ଗୁମର	I.	ରିଙ୍ଗ୍ ନୃତ୍ୟ
B.	କାଲ୍‌ବେଲିଆ	II.	ତାଳପୂଜା ତାଳି
C.	ଗାଧା	III.	ଗୁରିବୁଲୁଆବା ପୋଷାକ (ଘେର ପୋଷାକ)
D.	ଗର୍ବା	IV.	କଳା ଘେରା ସ୍କର୍ଟ

ନିମ୍ନଲିଖିତ ବିକଳ୍ପ ମାନଙ୍କ ମଧ୍ୟରୁ ସଠିକ୍ ଉତ୍ତର ବାଛି ଲେଖ:

1. A-I, B-II, C-III, D-IV
2. A-III, B-IV, C-I, D-II
3. A-II, B-III, C-IV, D-I
4. A-I, B-II, C-IV, D-III

**Options :**

485584137113. 1  
485584137114. 2

485584137115. 3  
485584137116. 4

**Question Number : 325 Question Id : 48558434280 Question Type : MCQ Option Shuffling : No Is Question Mandatory : No Calculator : None Response Time : N.A Think Time : N.A Minimum Instruction Time : 0**

**Correct Marks : 5 Wrong Marks : 1**

**Question Key Details :**

Key	Value
Comprehension	MCQ

Hindu temple architecture is divided into different types. Choose the correct number to define different types.

1. 3
2. 2
3. 4
4. 1

**Options :**

485584137117. 1  
485584137118. 2  
485584137119. 3  
485584137120. 4

**Question Number : 325 Question Id : 48558434280 Question Type : MCQ Option Shuffling : No Is Question Mandatory : No Calculator : None Response Time : N.A Think Time : N.A Minimum Instruction Time : 0**

**Correct Marks : 5 Wrong Marks : 1**

**Question Key Details :**

Key	Value
Comprehension	MCQ

ହିନ୍ଦୁ ମନ୍ଦିର ଛାପତ୍ୟ ଗୁଡ଼ିକ ବିଭିନ୍ନ ପ୍ରକାରେ ବିଭାଜିତ ହୋଇଛି । ସଠିକ୍ ସଂଖ୍ୟାଟି ବାଛି ଯାହା ବିଭିନ୍ନ ପ୍ରକାରକୁ ନିରୂପଣ କରେ ।

1. ୩
2. ୨
3. ୪
4. ୧

**Options :**

485584137117. 1  
485584137118. 2  
485584137119. 3  
485584137120. 4

**Question Number : 326 Question Id : 48558434281 Question Type : MCQ Option Shuffling : No Is Question Mandatory : No Calculator : None Response Time : N.A Think Time : N.A Minimum Instruction Time : 0**

**Correct Marks : 5 Wrong Marks : 1**

**Question Key Details :**

Key	Value
Comprehension	MCQ

The origin of Indian temple architecture can be traced to

1. Vedic times
2. Gupta Period
3. Medieval Period
4. Modern Period

**Options :**

485584137121. 1  
485584137122. 2  
485584137123. 3  
485584137124. 4

**Question Number : 326 Question Id : 48558434281 Question Type : MCQ Option Shuffling : No Is Question Mandatory : No Calculator : None Response Time : N.A Think Time : N.A Minimum Instruction Time : 0**

**Correct Marks : 5 Wrong Marks : 1**

**Question Key Details :**

Key	Value
Comprehension	MCQ

ଭାରତୀୟ ମନ୍ଦିର ସ୍ଥାପତ୍ୟ ପ୍ରାରମ୍ଭିକ କ୍ଷରଣ ପ୍ରାଧାନ୍ୟ ଦିଏ-

1. ବୈଦିକ ସମୟ
2. ଗୁପ୍ତ ସମୟ
3. ମଧ୍ୟ ଯୁଗ
4. ଆଧୁନିକ ଯୁଗ

**Options :**

485584137121. 1  
485584137122. 2  
485584137123. 3  
485584137124. 4

**Question Number : 327 Question Id : 48558434282 Question Type : MCQ Option Shuffling : No Is Question Mandatory : No Calculator : None Response Time : N.A Think Time : N.A Minimum Instruction Time : 0**

**Correct Marks : 5 Wrong Marks : 1**

**Question Key Details :**

Key	Value
Comprehension	MCQ

One central objective of Indian temple architecture is to connect human beings to

1. The world
2. The Religion
3. The community
4. The Universe

**Options :**

485584137125. 1  
485584137126. 2  
485584137127. 3  
485584137128. 4

**Question Number : 327 Question Id : 48558434282 Question Type : MCQ Option Shuffling : No Is Question Mandatory : No Calculator : None Response Time : N.A Think Time : N.A Minimum Instruction Time : 0**

**Correct Marks : 5 Wrong Marks : 1**

**Question Key Details :**

Key	Value
Comprehension	MCQ

ଭାରତୀୟ ମନ୍ଦିର ସ୍ଥାପତ୍ୟର କେନ୍ଦ୍ରିକୂଳ ଉଦ୍ଦେଶ୍ୟ ହେଉଛି ମଣିଷକୁ ସଂଯୋଗ କରେ \_\_\_\_\_ ସହିତ ।

1. ବିଶ୍ୱ
2. ଧର୍ମ
3. ସମ୍ପ୍ରଦାୟ
4. ବ୍ରହ୍ମାଣ୍ଡ

**Options :**

485584137125. 1  
485584137126. 2  
485584137127. 3  
485584137128. 4

**Question Number : 328 Question Id : 48558434283 Question Type : MCQ Option Shuffling : No Is Question Mandatory : No Calculator : None Response Time : N.A Think Time : N.A Minimum Instruction Time : 0**

**Correct Marks : 5 Wrong Marks : 1**

**Question Key Details :**

Key	Value
Comprehension	MCQ

What is the concept of monolithic temples among the following:

1. Carved wholly out of one piece of rock
2. made in monolithic era
3. made in stones from very ancient times
4. only the deity is carved from and one stone

**Options :**

485584137129. 1  
485584137130. 2  
485584137131. 3  
485584137132. 4

**Question Number : 328 Question Id : 48558434283 Question Type : MCQ Option Shuffling : No Is Question Mandatory : No Calculator : None Response Time : N.A Think Time : N.A Minimum Instruction Time : 0**

**Correct Marks : 5 Wrong Marks : 1**

**Question Key Details :**

Key	Value
Comprehension	MCQ

ନିମ୍ନଲିଖିତ ଅନୁଯାୟୀ ମନୋଲିଥିକ ମନ୍ଦିରର ଧାରଣା କଣ?

1. ସମ୍ପୂର୍ଣ୍ଣ ଭାବରେ ଗୋଟିଏ ପଥରରେ ଜନନ କରିବା
2. ମନୋଲିଥିକ ଯୁଗରେ ତିଆରି
3. ବହୁ ପୁରାତନ ସମୟରୁ ତିଆରି ପଥର
4. କେବଳ ମୂର୍ତ୍ତିଟି ଗୋଟିଏ ପଥରରେ ଖୋଦନ

**Options :**

485584137129. 1  
485584137130. 2  
485584137131. 3  
485584137132. 4

**Question Number : 329 Question Id : 48558434284 Question Type : MCQ Option Shuffling : No Is Question Mandatory : No Calculator : None Response Time : N.A Think Time : N.A Minimum Instruction Time : 0**

**Correct Marks : 5 Wrong Marks : 1**

**Question Key Details :**

Key	Value
Comprehension	MCQ

How many types of fight are included in vajramusti?

1. 6
2. 4
3. 3
4. 5

**Options :**

485584137133. 1  
485584137134. 2  
485584137135. 3  
485584137136. 4

**Question Number : 329 Question Id : 48558434284 Question Type : MCQ Option Shuffling : No Is Question Mandatory : No Calculator : None Response Time : N.A Think Time : N.A Minimum Instruction Time : 0**

**Correct Marks : 5 Wrong Marks : 1**

**Question Key Details :**

Key	Value
Comprehension	MCQ

ବକ୍ରମୁଷ୍ଟିରେ କେତେପ୍ରକାରର ଯୁଦ୍ଧ ଅଛି

1. ୬
2. ୪
3. ୩
4. ୫

**Options :**

485584137133. 1  
485584137134. 2  
485584137135. 3  
485584137136. 4

**Question Number : 330 Question Id : 48558434285 Question Type : MCQ Option Shuffling : No Is Question Mandatory : No Calculator : None Response Time : N.A Think Time : N.A Minimum Instruction Time : 0**

**Correct Marks : 5 Wrong Marks : 1**

**Question Key Details :**

Key	Value
Comprehension	MCQ



Give name of one of the oldest Martial Arts in existence which is said to have originated in Kerala?

1. Ankavinoda
2. Sastrasrama
3. Mallakhamba
4. Kalaripayattu

**Options :**

485584137137. 1  
485584137138. 2  
485584137139. 3  
485584137140. 4

**Question Number : 330 Question Id : 48558434285 Question Type : MCQ Option Shuffling : No Is Question Mandatory : No Calculator : None Response Time : N.A Think Time : N.A Minimum Instruction Time : 0**

**Correct Marks : 5 Wrong Marks : 1**

**Question Key Details :**

Key	Value
Comprehension	MCQ

ଗୋଟିଏ ପୁରାତନ ଯୁଦ୍ଧକଳାର ନାମ ଲେଖି ଯାହା କେରଳରୁ ଉତ୍ପତ୍ତି ହେବା କୁହାଯାଏ?

1. ଅଙ୍କବିନୋଦ
2. ଶାସ୍ତ୍ରାସ୍ରମ
3. ମଲ୍ଲଖମ୍ବ
4. କଲରିପୟତ୍ତୁ

**Options :**

485584137137. 1  
485584137138. 2  
485584137139. 3  
485584137140. 4

**Question Number : 331 Question Id : 48558434286 Question Type : MCQ Option Shuffling : No Is Question Mandatory : No Calculator : None Response Time : N.A Think Time : N.A Minimum Instruction Time : 0**

**Correct Marks : 5 Wrong Marks : 1**

**Question Key Details :**

Key	Value
Comprehension	MCQ

Chint was brought to Europe by which traders?

1. Italian and German traders
2. Portuguese and Dutch traders
3. Dutch and Italian Traders
4. German and Irish Traders

**Options :**

485584137141. 1  
485584137142. 2  
485584137143. 3  
485584137144. 4

**Question Number : 331 Question Id : 48558434286 Question Type : MCQ Option Shuffling : No Is Question Mandatory : No Calculator : None Response Time : N.A Think Time : N.A Minimum Instruction Time : 0**

**Correct Marks : 5 Wrong Marks : 1**

**Question Key Details :**

Key	Value
Comprehension	MCQ

ଚିନ୍ତା ଜୟରୋପକୁ କେଉଁ ବ୍ୟବସାୟ ମାଧ୍ୟମରେ ଆଣିଥିଲା

1. ଇଟାଲିଆନ୍ ଓ ଜର୍ମାନ ବାଣିଜ୍ୟ
2. ପର୍ତ୍ତୁଗୀଜ ଓ ଦୁଚ ବାଣିଜ୍ୟ
3. ଦୁଚ ଓ ଇଟାଲିଆନ୍ ବାଣିଜ୍ୟ
4. ଜର୍ମାନ ଓ ଇରିସ୍ ବାଣିଜ୍ୟ

**Options :**

485584137141. 1  
485584137142. 2  
485584137143. 3  
485584137144. 4

**Question Number : 332 Question Id : 48558434287 Question Type : MCQ Option Shuffling : No Is Question Mandatory : No Calculator : None Response Time : N.A Think Time : N.A Minimum Instruction Time : 0**

**Correct Marks : 5 Wrong Marks : 1**

**Question Key Details :**

Key	Value
Comprehension	MCQ

Name the textile made from unbleached cotton?

1. Calico
2. Linen
3. Jute
4. Hemp

**Options :**

485584137145. 1  
485584137146. 2  
485584137147. 3  
485584137148. 4

**Question Number : 332 Question Id : 48558434287 Question Type : MCQ Option Shuffling : No Is Question Mandatory : No Calculator : None Response Time : N.A Think Time : N.A Minimum Instruction Time : 0**

**Correct Marks : 5 Wrong Marks : 1**

**Question Key Details :**

Key	Value
Comprehension	MCQ

ସେହି ବସ୍ତୁର ନାମ କୁହ ଯାହା ରସାୟନ ବିଶୋଧନରେ ତିଆରି ହୁଏ

1. କାଲିକୋ
2. ଲିନେନ୍
3. ଜୁଟ
4. ହେମ୍ପ

**Options :**

485584137145. 1  
485584137146. 2  
485584137147. 3  
485584137148. 4

**Question Number : 333 Question Id : 48558434288 Question Type : MCQ Option Shuffling : No Is Question Mandatory : No Calculator : None Response Time : N.A Think Time : N.A Minimum Instruction Time : 0**

**Correct Marks : 5 Wrong Marks : 1**

**Question Key Details :**

Key	Value
Comprehension	MCQ

Arrange the technologies according to their origin time period:

- A. Art of paper making
- B. Pottery
- C. Rockets
- D. Fired Bricks

Choose the correct answer from the options given below:

- 1. A, B, C, D
- 2. D, C, A, B
- 3. D, B, A, C
- 4. B, C, A, D

**Options :**

- 485584137149. 1
- 485584137150. 2
- 485584137151. 3
- 485584137152. 4

**Question Number : 333 Question Id : 48558434288 Question Type : MCQ Option Shuffling : No Is Question Mandatory : No Calculator : None Response Time : N.A Think Time : N.A Minimum Instruction Time : 0**

**Correct Marks : 5 Wrong Marks : 1**

**Question Key Details :**

Key	Value
Comprehension	MCQ

କ୍ରମାନ୍ୱୟରେ ନିମ୍ନଲିଖିତ ବୈଷୟିକ ଗୁଡ଼ିକୁ ତା'ର ଉତ୍ପତ୍ତିର ସମୟାନୁଯାୟୀ ସଜାଡ଼ି ଲେଖ ।

- A. କାରକ ତିଆରି କଳା
- B. କୁମ୍ଭାର
- C. ରକେଟ
- D. ପୋଡ଼ା ଲଟା

ନିମ୍ନଲିଖିତ ବିକଳ୍ପ ମାନଙ୍କ ମଧ୍ୟରୁ ସଠିକ୍ ଉତ୍ତର ବାଛି ଲେଖ:

- 1. A, B, C, D
- 2. D, C, A, B
- 3. D, B, A, C
- 4. B, C, A, D

**Options :**

- 485584137149. 1
- 485584137150. 2
- 485584137151. 3
- 485584137152. 4

**Question Number : 334 Question Id : 48558434289 Question Type : MCQ Option Shuffling : No Is Question Mandatory : No Calculator : None Response Time : N.A Think Time : N.A Minimum Instruction Time : 0**

**Correct Marks : 5 Wrong Marks : 1**

**Question Key Details :**

Key	Value
Comprehension	MCQ

Which two countries together controlling nearly 60 per cent of the worlds GDP 2,000 year ago.

- A. India
- B. China
- C. Romans
- D. East Africa

Choose the correct answer from the options given below:

- 1. A and C only
- 2. B and D only
- 3. A and B only
- 4. C and D only

**Options :**

- 485584137153. 1
- 485584137154. 2
- 485584137155. 3
- 485584137156. 4

**Question Number : 334 Question Id : 48558434289 Question Type : MCQ Option Shuffling : No Is Question Mandatory : No Calculator : None Response Time : N.A Think Time : N.A Minimum Instruction Time : 0**

**Correct Marks : 5 Wrong Marks : 1**

**Question Key Details :**

Key	Value
Comprehension	MCQ

କେଉଁ ଦୁଇଟି ଦେଶ ବିଶ୍ୱର GDPକୁ 2000 ବର୍ଷ ପୂର୍ବରୁ ପାଖାପାଖି ୬୦ ପ୍ରତିଶତରେ ମିଳିତ ଭାବରେ ନିୟନ୍ତ୍ରଣ କରୁଛନ୍ତି?

- A. ଭାରତ
- B. ଚାଇନା
- C. ରୋମାନ
- D. ପୂର୍ବ ଆଫ୍ରିକା

ନିମ୍ନଲିଖିତ ବିକଳ୍ପ ମାନଙ୍କ ମଧ୍ୟରୁ ସଠିକ୍ ଉତ୍ତର ବାଛି ଲେଖ:

- 1. A and C only
- 2. B and D only
- 3. A and B only
- 4. C and D only

**Options :**

- 485584137153. 1
- 485584137154. 2
- 485584137155. 3
- 485584137156. 4

**Question Number : 335 Question Id : 48558434290 Question Type : MCQ Option Shuffling : No Is Question Mandatory : No Calculator : None Response Time : N.A Think Time : N.A Minimum Instruction Time : 0**

**Correct Marks : 5 Wrong Marks : 1**

**Question Key Details :**

Key	Value
Comprehension	MCQ

In which century, Roman empire began the trade with India?

- 1. 3<sup>rd</sup> Century BCE
- 2. 4<sup>th</sup> Century BCE
- 3. 2<sup>nd</sup> Century BCE
- 4. 5<sup>th</sup> Century BCE

**Options :**

- 485584137157. 1
- 485584137158. 2
- 485584137159. 3
- 485584137160. 4

**Question Number : 335 Question Id : 48558434290 Question Type : MCQ Option Shuffling : No Is Question Mandatory : No Calculator : None Response Time : N.A Think Time : N.A Minimum Instruction Time : 0**

**Correct Marks : 5 Wrong Marks : 1**

**Question Key Details :**

Key	Value
-----	-------

କେଉଁ ଶତାବ୍ଦୀରେ ରୋମାନ ସାମ୍ରାଜ୍ୟ ଭାରତ ସହ ବାଣିଜ୍ୟ ଆରମ୍ଭ କରିଥିଲା?

1. ତୃତୀୟ ଶତାବ୍ଦୀ BCE
2. ଚତୁର୍ଥ ଶତାବ୍ଦୀ BCE
3. ଦ୍ୱିତୀୟ ଶତାବ୍ଦୀ BCE
4. ପଞ୍ଚମ ଶତାବ୍ଦୀ BCE

**Options :**

485584137157. 1  
485584137158. 2  
485584137159. 3  
485584137160. 4

**Question Number : 336 Question Id : 48558434291 Question Type : MCQ Option Shuffling : No Is Question Mandatory : No Calculator : None Response Time : N.A Think Time : N.A Minimum Instruction Time : 0**

**Correct Marks : 5 Wrong Marks : 1**

**Question Key Details :**

Key	Value
Comprehension	MCQ

Match List I with List II

LIST I		LIST II	
A.	Chau	I.	Harvest time
B.	Bihu	II.	Polished Sticks
C.	Dollu Kunita	III.	Mask
D.	Dandiya	IV.	drum dance

Choose the correct answer from the options given below:

1. A-III, B-I, C-IV, D-II
2. A-II, B-I, C-III, D-IV
3. A-IV, B-III, C-II, D-I
4. A-I, B-II, C-III, D-IV

**Options :**

485584137161. 1  
485584137162. 2  
485584137163. 3  
485584137164. 4

**Question Number : 336 Question Id : 48558434291 Question Type : MCQ Option Shuffling : No Is Question Mandatory : No Calculator : None Response Time : N.A Think Time : N.A Minimum Instruction Time : 0**

**Correct Marks : 5 Wrong Marks : 1**

**Question Key Details :**

<b>Key</b>	<b>Value</b>
Comprehension	MCQ

ତାଲିକା-I ସହ ତାଲିକା-IIର ସଠିକ୍ ସଂଯୋଗ କର ।

ତାଲିକା-I		ତାଲିକା-II	
A.	ଚାଉ	I.	ଅମଳ ସମୟ
B.	ବିହୁ	II.	ଚମକୁଥିବା କାଠି
C.	ତଳୁ କୁନିଆ	III.	ମୁଖା
D.	ବାଣିଆ	IV.	ହ୍ରମ ନୃତ୍ୟ

ନିମ୍ନଲିଖିତ ବିକଳ୍ପ ମାନଙ୍କ ମଧ୍ୟରୁ ସଠିକ୍ ଉତ୍ତର ବାଛି ଲେଖ:

1. A-III, B-I, C-IV, D-II
2. A-II, B-I, C-III, D-IV
3. A-IV, B-III, C-II, D-I
4. A-I, B-II, C-III, D-IV

**Options :**

485584137161. 1  
485584137162. 2  
485584137163. 3  
485584137164. 4

**Question Number : 337 Question Id : 48558434292 Question Type : MCQ Option Shuffling : No Is Question Mandatory : No Calculator : None Response Time : N.A Think Time : N.A Minimum Instruction Time : 0**

**Correct Marks : 5 Wrong Marks : 1**

**Question Key Details :**

<b>Key</b>	<b>Value</b>
Comprehension	MCQ

Silpasastra or Vastu Vidya the science of architecture was studied in ancient India within

- A. Ayurveda
- B. Dhanurved
- C. Jyotisa
- D. Rgveda

Choose the correct answer from the options given below:

1. B, D, C only
2. A, C, D only
3. A, D, B only
4. A, B, C only

**Options :**

485584137165. 1



485584137166. 2  
485584137167. 3  
485584137168. 4

**Question Number : 337 Question Id : 48558434292 Question Type : MCQ Option Shuffling : No Is Question Mandatory : No Calculator : None Response Time : N.A Think Time : N.A Minimum Instruction Time : 0**

**Correct Marks : 5 Wrong Marks : 1**

**Question Key Details :**

Key	Value
Comprehension	MCQ

ପ୍ରାଚୀନ ଭାରତରେ ସ୍ତ୍ରୀପତ୍ୟର ଶିକ୍ଷଣସ୍ତ୍ର ଓ ବାସ୍ତୁଶାସ୍ତ୍ର ବିଜ୍ଞାନ କେଉଁଠି ପଢ଼ା ଯାଇଥିଲା

- A. ଆୟୁର୍ବେଦ
- B. ଧନର୍ବେଦ
- C. ଜ୍ୟୋତିଷ
- D. ରଗବେଦ

ନିମ୍ନଲିଖିତ ବିକଳ୍ପ ମାନଙ୍କ ମଧ୍ୟରୁ ସଠିକ୍ ଉତ୍ତର ବାଛି ଲେଖ:

- 1. B, D, C only
- 2. A, C, D only
- 3. A, D, B only
- 4. A, B, C only

**Options :**

485584137165. 1  
485584137166. 2  
485584137167. 3  
485584137168. 4

**Question Number : 338 Question Id : 48558434293 Question Type : MCQ Option Shuffling : No Is Question Mandatory : No Calculator : None Response Time : N.A Think Time : N.A Minimum Instruction Time : 0**

**Correct Marks : 5 Wrong Marks : 1**

**Question Key Details :**

Key	Value
Comprehension	MCQ

Match List I with List II

LIST I		LIST II	
A.	Kucipudi	I.	Manipur
B.	Manipuri	II.	Uttar Pradesh
C.	Odissi	III.	Andhra Pradesh
D.	Kathak	IV.	Odisha

Choose the correct answer from the options given below:

1. A-III, B-I, C-IV, D-II
2. A-I, B-II, C-III, D-IV
3. A-III, B-II, C-I, D-IV
4. A-IV, B-III, C-II, D-I

**Options :**

485584137169. 1  
485584137170. 2  
485584137171. 3  
485584137172. 4

**Question Number : 338 Question Id : 48558434293 Question Type : MCQ Option Shuffling : No Is Question Mandatory : No Calculator : None Response Time : N.A Think Time : N.A Minimum Instruction Time : 0**

**Correct Marks : 5 Wrong Marks : 1**

**Question Key Details :**

Key	Value
Comprehension	MCQ

ତାଲିକା-I ସହ ତାଲିକା-IIର ସଠିକ୍ ସଂଯୋଗ କର ।

ତାଲିକା-I		ତାଲିକା-II	
A.	କୁଚିପୁଡ଼ି	I.	ମଣିପୁର
B.	ମଣିପୁରୀ	II.	ଉତ୍ତର ପ୍ରଦେଶ
C.	ଓଡ଼ିଶା	III.	ଆନ୍ଧ୍ର ପ୍ରଦେଶ
D.	କଥକ	IV.	ଓଡ଼ିଶା

ନିମ୍ନଲିଖିତ ବିକଳ୍ପ ମାନଙ୍କ ମଧ୍ୟରୁ ସଠିକ୍ ଉତ୍ତର ବାଛି ଲେଖ:

1. A-III, B-I, C-IV, D-II
2. A-I, B-II, C-III, D-IV
3. A-III, B-II, C-I, D-IV
4. A-IV, B-III, C-II, D-I

**Options :**

485584137169. 1  
485584137170. 2

485584137171.3

485584137172.4

**Question Number : 339 Question Id : 48558434294 Question Type : MCQ Option Shuffling : No Is Question Mandatory : No Calculator : None Response Time : N.A Think Time : N.A Minimum Instruction Time : 0**

**Correct Marks : 5 Wrong Marks : 1**

**Question Key Details :**

Key	Value
Comprehension	MCQ

Choose the correct order of Vedas as suggested below:

- A. Samveda
- B. Atharveda
- C. Rgveda
- D. Yajurveda

Choose the correct answer from the options given below:

- 1. A - B - C - D
- 2. C - D - A - B
- 3. B - C - A - D
- 4. D - C - A - B

**Options :**

485584137173.1

485584137174.2

485584137175.3

485584137176.4

**Question Number : 339 Question Id : 48558434294 Question Type : MCQ Option Shuffling : No Is Question Mandatory : No Calculator : None Response Time : N.A Think Time : N.A Minimum Instruction Time : 0**

**Correct Marks : 5 Wrong Marks : 1**

**Question Key Details :**

Key	Value
Comprehension	MCQ

ନିମ୍ନରେ ସୂଚୀତ ବେଦ ଗୁଡ଼ିକୁ ଠିକ୍ ଅର୍ଡ଼ରରେ ଲେଖ ।

- A. ସାମବେଦ
- B. ଅଥର୍ବବେଦ
- C. ରଗବେଦ
- D. ଯଜୁର୍ବେଦ

ନିମ୍ନଲିଖିତ ବିକଳ୍ପ ମାନଙ୍କ ମଧ୍ୟରୁ ସଠିକ୍ ଉତ୍ତର ଦାକ୍ଷି ଲେଖ:

- 1. A - B - C - D
- 2. C - D - A - B
- 3. B - C - A - D
- 4. D - C - A - B

**Options :**

- 485584137173. 1
- 485584137174. 2
- 485584137175. 3
- 485584137176. 4

**Question Number : 340 Question Id : 48558434295 Question Type : MCQ Option Shuffling : No Is Question Mandatory : No Calculator : None Response Time : N.A Think Time : N.A Minimum Instruction Time : 0**

**Correct Marks : 5 Wrong Marks : 1**

**Question Key Details :**

Key	Value
Comprehension	MCQ

Which fort is known for not being on a hilltop?

- 1. Gwalior Fort
- 2. Mehrangarh Fort
- 3. Junagarh fort
- 4. Amber Fort

**Options :**

- 485584137177. 1
- 485584137178. 2
- 485584137179. 3
- 485584137180. 4

**Question Number : 340 Question Id : 48558434295 Question Type : MCQ Option Shuffling : No Is Question Mandatory : No Calculator : None Response Time : N.A Think Time : N.A Minimum Instruction Time : 0**

**Correct Marks : 5 Wrong Marks : 1**

**Question Key Details :**

Key	Value
Comprehension	MCQ

ଗୋଟିଏ ପର୍ବତ ଶିଖରରେ ନଥିବା ପାଇଁ କେଉଁ କିଲ୍ଲାଟି ଜଣାଶୁଣା?

1. ବ୍ରାହ୍ମିୟର କିଲ୍ଲା
2. ମୋହେରାଜାଗଡ଼ କିଲ୍ଲା
3. ଜୁନାଗଡ଼ କିଲ୍ଲା
4. ଏମ୍ବର କିଲ୍ଲା

**Options :**

485584137177. 1  
485584137178. 2  
485584137179. 3  
485584137180. 4

**Sub-Section Number :** 2  
**Sub-Section Id :** 4855842543  
**Question Shuffling Allowed :** No  
**Is Section Default? :** null

**Question Number : 341 Question Id : 48558434296 Question Type : MCQ Option Shuffling : No Is Question Mandatory : No Calculator : None Response Time : N.A Think Time : N.A Minimum Instruction Time : 0**

**Correct Marks : 5 Wrong Marks : 1**

**Question Key Details :**

Key	Value
Comprehension	Comp1

Read the passage and answer the following questions given below:-

Kathakali is a classical dance form which originated in Kerala. Katha in Sanskrit means story and kali in Malayalam means play. So Kathakali is a play based on a story. Kathakali, like other classical dances of India, has its origins in Bharata Muni's Natyasastra. It is an art which has evolved from many social and religious theatrical art forms like Cakiarkottu, Kudiattam, Krsnattam, Ramattam which existed in the Southern region in ancient times. The main custodian of Kathakali is the famous poet Vallathol Narayana Menon who established Kerala Kalamandalam in 1930 for the preservation of this art form.

Kathakali, a stylised art form, is a blend of dance music and acting and dramatizes stories mostly adapted from the Indian epics. All the four aspects of abhinaya - angika, vacika, aharya, Sattrika and the three components of the dance - natya, nrta and nrtya are unified flawlessly in this form, As far as the costume of this dance form is concerned, it is elaborate and designed to heighten the effect of physical strength. The large overcoats, the flowing scarves, the bulging skirts, the antique ornaments, the strikingly opulent head dresses with streaming hair flowing down to the waist and covering the back all create enlarged figures well befitting the sculptured facial features and produce tremendously impressive impersonations. If the characters are Sattvika (a righteous character or hero), the basic make up is pacca (green); if the characters are rajsika (a character with particular vices or anti hero) the basic make up is cutti (white); and if the characters are tamsika (an evil character or villain), the basic green make up is broken up by red patches. Also, on the basic green make up, an oral red and white design is made on the nose and on the upper nose.

Classical Dance form Kathakali originated in which state of India?

1. Karnataka
2. Tamil Nadu
3. Andhra Pradesh
4. Kerala

**Options :**

485584137181. 1  
485584137182. 2  
485584137183. 3  
485584137184. 4

**Question Number : 341 Question Id : 48558434296 Question Type : MCQ Option Shuffling : No Is Question Mandatory : No Calculator : None Response Time : N.A Think Time : N.A Minimum Instruction Time : 0**

**Correct Marks : 5 Wrong Marks : 1**

**Question Key Details :**

Key	Value
Comprehension	Comp1

**ଦିଆଯାଇଥିବା ଅନୁଚ୍ଛେଦଟିକୁ ପଢ଼ି ଓ ନିମ୍ନ ପ୍ରଶ୍ନଗୁଡ଼ିକର ଉତ୍ତର ପ୍ରଦାନ କର:**

କଥାକଳି ହେଉଛି ଶାସ୍ତ୍ରୀୟ ନୃତ୍ୟ ଯାହା କର୍ଣ୍ଣାଟକରୁ ଉତ୍ପତ୍ତି ହୋଇ ଗଠଣ ହୋଇଛି । ସମ୍ପୃକ୍ତରେ କଥା କହିଲେ ଗନ୍ଧ ଓ ମାଲାୟାଲୀମରେ କଳି କହିଲେ ନାଟକ । ତେଣୁ କଥାକଳି କହିଲେ ଗୋଟିଏ ନାଟକ ଯେଉଁଥିରେ ଗନ୍ଧଟିଏ ଥାଏ । କଥାକଳି ପରି ଭାରତର ଅନ୍ୟ ଶାସ୍ତ୍ରୀୟ ନୃତ୍ୟଗୁଡ଼ିକ ଭାରତ ମୁନୀ ନାଟ୍ୟଶାସ୍ତ୍ରରୁ ଉତ୍ପତ୍ତି ହୋଇଛି । ଏହା ହେଉଛି ଗୋଟିଏ କଳା ଯାହା ବହୁ ପ୍ରକାର ସାମାଜିକ ଓ ଧାର୍ମିକ ଚଳଚ୍ଚିତ୍ର କଳା ଗଠଣ ହୋଇଥାଏ ଯେପରି କାକିଆରକୋଟୁ, କୁଡିଆରମ୍, କୃଷ୍ଣାଭମ୍, ରାମତମ୍ ଯାହା ପୁରାତନ ସମୟର ଦକ୍ଷିଣାଞ୍ଚଳରେ ଅବସ୍ଥିତ । ମୁଖ୍ୟ ପ୍ରସିଦ୍ଧ କବିଙ୍କ ଅଧିନସ୍ଥ କଥାକଳି "ଭଲ୍ଲଥୋଲ ନାରାୟନ ମେନ୍ଦୁନ୍" ଯିଏ 1930ରେ ଏହି କଳା ମାଧ୍ୟମରେ ସଂରକ୍ଷଣ କରିବା ପାଇଁ କେରଳ କଳାମଣ୍ଡଳ ସ୍ଥାପନ କରିଥିଲେ ।

କଥାକଳି ଏକ ସ୍ଵାଇଲର କଳା ଗଠଣ, ନୃତ୍ୟ, ସଙ୍ଗୀତ ଓ ଅଭିନୟର ସମସ୍ତ ଏବଂ କାହାଣୀ ଗୁଡ଼ିକ ମୁଖ୍ୟତଃ ଭାରତୀୟ ଗ୍ରନ୍ଥ ମାନଙ୍କରୁ ଆଦୃତ । ଅଭିନୟରେ ସମସ୍ତ ଚାରୋଟି ଦିଗ ହେଉଛି- ଅଙ୍ଗିକା, ଭାଷାଭକ୍ତା, ଆଚାର୍ଯ୍ୟ, ଶାସ୍ତ୍ରିକ ଓ ନୃତ୍ୟର ତିନୋଟି ଉପାଦାନ ହେଉଛି- ନାଟ୍ୟ, ନୃତ୍ୟ ଓ ନର୍ତ୍ତ୍ୟ ଏକତ୍ରିତ ହେଲେ ନିଖୁଣ ଭାବରେ ପ୍ରଦର୍ଶନ ହୁଏ । ଯେତେଥର ଏହି ନୃତ୍ୟ ପ୍ରଥା ପ୍ରଚଳନ, ବିଶୁଦ୍ଧ ଭାବରେ ଶାରିରୀକ ଶକ୍ତିକୁ ପ୍ରଭାବିତ କରେ । ବୃହତ୍ ଭଉର କୋର୍ଟ, ଓଡ଼ଣୀ, ଘେର ସ୍ଵର୍ଗ, ପ୍ରାଚୀନ ଅଳଙ୍କାର, ମୁଣ୍ଡରେ ପିନ୍ଧିବା ଏକ ଚମତ୍କାର ପରିଧାନ, ସହ ଅନ୍ୟରେ ପଡୁଥିବା ଲମ୍ବ ଚୂଳ ଏହି ସବୁ ଏହାର ବୈଶିଷ୍ଟ୍ୟ ଯାହା ସମସ୍ତଙ୍କୁ ଅତିଶୟ ଭାବରେ ପ୍ରଭାବିତ କରିଥାଏ । ଯଦି ଚରିତ୍ର ଗୁଡ଼ାକ ସାଦ୍ୱିକ (ମୁଖ୍ୟ ଭୂମିକା ନିର୍ବାହକାରୀ ବା ହିରୋ) ମୌଳିକ ସାଜସଜ୍ଜା 'ପଞ୍ଚ' (green) ଓ ଯିଏ ରାଜସିନ (ଚରିତ୍ର ଗୁଡ଼ିକ ଭିଲିଏନ୍) ମୌଳିକ ସାଜସଜ୍ଜା 'କୁଟି' ଓ ଯେଉଁ ଚରିତ୍ର ଗୁଡ଼ିକ ତାମସିକ (evil character) ମୌଳିକ ସବୁଜ ରଙ୍ଗରେ ନାଲି ରଙ୍ଗ ଆଦୃତ ହୋଇଥାଏ । ଆରମ୍ଭ ମୌଳିକ ସବୁଜ ରଙ୍ଗରେ ଆଛାଦିତ ଚରିତ୍ର ଗୋଟିଏ ତଥାକଥିତ ନାଲି ଓ ନାଟରେ ଧଳା ରଙ୍ଗର ଡିଜାଇନ୍ ଉପର ଭାଗରେ ହୋଇଥାଏ ।

ଶାସ୍ତ୍ରୀୟ ନୃତ୍ୟ କଥାକଳି ଭାରତର କେଉଁ ରାଜ୍ୟରୁ ଉତ୍ପତ୍ତି ହୋଇଛି

1. କର୍ଣ୍ଣାଟକ
2. ତାମିଲନାଡୁ
3. ଆନ୍ଧ୍ର ପ୍ରଦେଶ
4. କେରଳ

**Options :**

485584137181. 1  
485584137182. 2  
485584137183. 3  
485584137184. 4

**Question Number : 342 Question Id : 48558434297 Question Type : MCQ Option Shuffling : No Is Question Mandatory : No Calculator : None Response Time : N.A Think Time : N.A Minimum Instruction Time : 0**

**Correct Marks : 5 Wrong Marks : 1**

**Question Key Details :**

Key	Value
Comprehension	Comp1

Read the passage and answer the following questions given below:-

Kathakali is a classical dance form which originated in Kerala. Katha in Sanskrit means story and kali in Malayalam means play. So Kathakali is a play based on a story. Kathakali, like other classical dances of India, has its origins in Bharata Muni's Natyasastra. It is an art which has evolved from many social and religious theatrical art forms like Cakiarkottu, Kudiattam, Krsnattam, Ramattam which existed in the Southern region in ancient times. The main custodian of Kathakali is the famous poet Vallathol Narayana Menon who established Kerala Kalamandalam in 1930 for the preservation of this art form.

Kathakali, a stylised art form, is a blend of dance music and acting and dramatizes stories mostly adapted from the Indian epics. All the four aspects of abhinaya - angika, vacika, aharya, Sattrika and the three components of the dance - natya, nrta and nrtya are unified flawlessly in this form, As far as the costume of this dance form is concerned, it is elaborate and designed to heighten the effect of physical strength. The large overcoats, the flowing scarves, the bulging skirts, the antique ornaments, the strikingly opulent head dresses with streaming hair flowing down to the waist and covering the back all create enlarged figures well befitting the sculptured facial features and produce tremendously impressive impersonations. If the characters are Sattvika (a righteous character or hero), the basic make up is pacca (green); if the characters are rajsika (a character with particular vices or anti hero) the basic make up is cutti (white); and if the characters are tamsika (an evil character or villain), the basic green make up is broken up by red patches. Also, on the basic green make up, an oral red and white design is made on the nose and on the upper nose.

Name the main custodian of Kathakali who established Kerala Kalamandalam in 1930 for the preservation of this art form?

1. Vedantam Lakshmi Narayana
2. Cinta Krsnamurthy
3. Vallathol Narayana Menon
4. Rukmini Devi

**Options :**

485584137185. 1  
485584137186. 2  
485584137187. 3  
485584137188. 4

**Question Number : 342 Question Id : 48558434297 Question Type : MCQ Option Shuffling : No Is Question Mandatory : No Calculator : None Response Time : N.A Think Time : N.A Minimum Instruction Time : 0**

**Correct Marks : 5 Wrong Marks : 1**

**Question Key Details :**

Key	Value
Comprehension	Comp1

**ଦିଆଯାଇଥିବା ଅନୁଚ୍ଛେଦଟିକୁ ପଢ଼ି ଓ ନିମ୍ନସ୍ଥ ପ୍ରଶ୍ନଗୁଡ଼ିକର ଉତ୍ତର ପ୍ରଦାନ କର:**

କଥାକଳି ହେଉଛି ଶାସ୍ତ୍ରୀୟ ନୃତ୍ୟ ଯାହା କର୍ଣ୍ଣାଟକରୁ ଉତ୍ପତ୍ତି ହୋଇ ଗଠଣ ହୋଇଛି । ସମସ୍ୱତରେ କଥା କହିଲେ ଗଞ୍ଜ ଓ ମାଲାୟାଲାମ୍ରେ କଳି କହିଲେ ନାଟକ । ତେଣୁ କଥାକଳି କହିଲେ ଗୋଟିଏ ନାଟକ ଯେଉଁଥିରେ ଗଞ୍ଜଟିଏ ଥାଏ । କଥାକଳି ପରି ଭାରତର ଅନ୍ୟ ଶାସ୍ତ୍ରୀୟ ନୃତ୍ୟଗୁଡ଼ିକ ଭାରତ ମୁନୀ ନାଟ୍ୟଶାସ୍ତ୍ରରୁ ଉତ୍ପତ୍ତି ହୋଇଛି । ଏହା ହେଉଛି ଗୋଟିଏ କଳା ଯାହା ବହୁ ପ୍ରକାର ସାମାଜିକ ଓ ଧାର୍ମିକ ଚଳଚ୍ଚିତ୍ର କଳା ଗଠଣ ହୋଇଥାଏ ଯେପରି କାକିଆରକୋଟୁ, କୁଡ଼ିଆରମ୍, କୃଷ୍ଣାଭମ୍, ରାମଚମ୍ ଯାହା ପୁରାତନ ସମୟର ଦକ୍ଷିଣାଞ୍ଚଳରେ ଅବସ୍ଥିତ । ମୁଖ୍ୟ ପ୍ରସିଦ୍ଧ କବିଙ୍କ ଅଧିନସ୍ଥ କଥାକଳି "ଭଲ୍ଲଥୋଲ ନାରାୟନ ମେନୁନ୍" ଯିଏ 1930ରେ ଏହି କଳା ମାଧ୍ୟମରେ ସଂରକ୍ଷଣ କରିବା ପାଇଁ କେରଳ କଳାମଣ୍ଡଳ ସ୍ଥାପନ କରିଥିଲେ ।

କଥାକଳି ଏକ ସ୍ୱାଇଲର କଳା ଗଠଣ, ନୃତ୍ୟ, ସଙ୍ଗୀତ ଓ ଅଭିନୟର ସମସ୍ତ ଏବଂ କାହାଣୀ ଗୁଡ଼ିକ ମୁଖ୍ୟତଃ ଭାରତୀୟ ଗ୍ରନ୍ଥ ମାନଙ୍କରୁ ଆସିବ । ଅଭିନୟରେ ସମସ୍ତ ଚାରୋଟି ଦିଗ ହେଉଛି- ଅଙ୍ଗିକା, ଭାଷାଭକ୍ତା, ଆଚାର୍ଯ୍ୟ, ଶାସ୍ତ୍ରିକ ଓ ନୃତ୍ୟର ତିନୋଟି ଉପାଦାନ ହେଉଛି- ନାଟ୍ୟ, ନୃତ୍ୟ ଓ ନର୍ତ୍ତ୍ୟ ଏକତ୍ରିତ ହେଲେ ନିଖୁଣ ଭାବରେ ପ୍ରଦର୍ଶନ ହୁଏ । ଯେତେଥର ଏହି ନୃତ୍ୟ ପ୍ରଥା ପ୍ରଚଳନ, ବିଶୁଦ୍ଧ ଭାବରେ ଶାରିରୀକ ଶକ୍ତିକୁ ପ୍ରଭାବିତ କରେ । ବୃହତ୍ ଉତ୍ତର କୋର୍ଟ, ଓଡ଼ଶୀ, ଘେର ସ୍ୱର୍ଗ, ପ୍ରାଚୀନ ଅଳଙ୍କାର, ମୁଣ୍ଡରେ ପିନ୍ଧିବା ଏକ ଚମତ୍କାର ପରିଧାନ, ସହ ଅନ୍ୟରେ ପଡ଼ୁଥିବା ଲମ୍ବ ଚୂଳ ଏହି ସବୁ ଏହାର ବୈଶିଷ୍ଟ୍ୟ ଯାହା ସମସ୍ତଙ୍କୁ ଅତିଶୟ ଭାବରେ ପ୍ରଭାବିତ କରିଥାଏ । ଯଦି ଚରିତ୍ର ଗୁଡ଼ାକ ସାଦ୍ୱିକ (ମୁଖ୍ୟ ଭୂମିକା ନିର୍ବାହକାରୀ ବା ହିରୋ) ମୌଳିକ ସାଜସଜ୍ଜା 'ପଞ୍ଚା' (green) ଓ ଯିଏ ରାଜସିନ (ଚରିତ୍ର ଗୁଡ଼ିକ ଭିଲିଏନ୍) ମୌଳିକ ସାଜସଜ୍ଜା 'କୁଟି' ଓ ଯେଉଁ ଚରିତ୍ର ଗୁଡ଼ିକ ତାମସିକ (evil character) ମୌଳିକ ସବୁଜ ରଙ୍ଗରେ ନାଲି ରଙ୍ଗ ଆସୁତ ହୋଇଥାଏ । ଆରମ୍ଭ ମୌଳିକ ସବୁଜ ରଙ୍ଗରେ ଆହ୍ଲାବିତ ଚରିତ୍ର ଗୋଟିଏ ତଥାକଥିତ ନାଲି ଓ ନାଟରେ ଧଳା ରଙ୍ଗର ଡିଜାଇନ୍ ଉପର ଭାଗରେ ହୋଇଥାଏ ।



୧୯୩୦ ମସିହାରେ କଳା ପରି ସଂରକ୍ଷଣ କରିବା ପାଇଁ କଥକଳିକୁ ଯାହା କେବଳ କଳାମଣ୍ଡଳମ୍ ପ୍ରତିଷ୍ଠା କରିଥିଲା ତାହା କାହା ଅଧିକରେ ଥିଲା?

1. ବେଦାନ୍ତ ଲକ୍ଷ୍ମୀ ନାରାୟଣ
2. ଚିତ୍ରା କ୍ରିଷ୍ଣାମୂର୍ତ୍ତୀ
3. ଭାଲୋଥଲ୍ ନାରାୟଣ ମେନନ୍
4. ରୁକ୍ମିଣୀ ଦେବୀ

**Options :**

485584137185. 1  
485584137186. 2  
485584137187. 3  
485584137188. 4

**Question Number : 343 Question Id : 48558434298 Question Type : MCQ Option Shuffling : No Is Question Mandatory : No Calculator : None Response Time : N.A Think Time : N.A Minimum Instruction Time : 0**

**Correct Marks : 5 Wrong Marks : 1**

**Question Key Details :**

Key	Value
Comprehension	Comp1

Read the passage and answer the following questions given below:-

Kathakali is a classical dance form which originated in Kerala. Katha in Sanskrit means story and kali in Malayalam means play. So Kathakali is a play based on a story. Kathakali, like other classical dances of India, has its origins in Bharata Muni's Natyasastra. It is an art which has evolved from many social and religious theatrical art forms like Cakiarkottu, Kudiattam, Krsnattam, Ramattam which existed in the Southern region in ancient times. The main custodian of Kathakali is the famous poet Vallathol Narayana Menon who established Kerala Kalamandalam in 1930 for the preservation of this art form.

Kathakali, a stylised art form, is a blend of dance music and acting and dramatizes stories mostly adapted from the Indian epics. All the four aspects of abhinaya - angika, vacika, aharya, Sattrika and the three components of the dance - natya, nrta and nrtya are unified flawlessly in this form, As far as the costume of this dance form is concerned, it is elaborate and designed to heighten the effect of physical strength. The large overcoats, the flowing scarves, the bulging skirts, the antique ornaments, the strikingly opulent head dresses with streaming hair flowing down to the waist and covering the back all create enlarged figures well befitting the sculptured facial features and produce tremendously impressive impersonations. If the characters are Sattvika (a righteous character or hero), the basic make up is pacca (green); if the characters are rajsika (a character with particular vices or anti hero) the basic make up is cutti (white); and if the characters are tamsika (an evil character or villain), the basic green make up is broken up by red patches. Also, on the basic green make up, an oral red and white design is made on the nose and on the upper nose.

How many aspects of Abhinaya?

1. 2
2. 3
3. 4
4. 5

**Options :**

485584137189. 1  
485584137190. 2  
485584137191. 3  
485584137192. 4

**Question Number : 343 Question Id : 48558434298 Question Type : MCQ Option Shuffling : No Is Question Mandatory : No Calculator : None Response Time : N.A Think Time : N.A Minimum Instruction Time : 0**

**Correct Marks : 5 Wrong Marks : 1**

**Question Key Details :**

Key	Value
Comprehension	Comp1

**ଦିଆଯାଇଥିବା ଅନୁଚ୍ଛେଦଟିକୁ ପଢ଼ି ଓ ନିମ୍ନ ପ୍ରଶ୍ନଗୁଡ଼ିକର ଉତ୍ତର ପ୍ରଦାନ କର:**

କଥାକଳି ହେଉଛି ଶାସ୍ତ୍ରୀୟ ନୃତ୍ୟ ଯାହା କର୍ଣ୍ଣାଟକରୁ ଉତ୍ପତ୍ତି ହୋଇ ଗଠଣ ହୋଇଛି । ସମ୍ପୃକ୍ତରେ କଥା କହିଲେ ଗନ୍ଧ ଓ ମାଲାୟାଲାମ୍ରେ କଳି କହିଲେ ନାଟକ । ତେଣୁ କଥାକଳି କହିଲେ ଗୋଟିଏ ନାଟକ ଯେଉଁଥିରେ ଗନ୍ଧଟିଏ ଥାଏ । କଥାକଳି ପରି ଭାରତର ଅନ୍ୟ ଶାସ୍ତ୍ରୀୟ ନୃତ୍ୟଗୁଡ଼ିକ ଭାରତ ମୁନୀ ନାଟ୍ୟଶାସ୍ତ୍ରରୁ ଉତ୍ପତ୍ତି ହୋଇଛି । ଏହା ହେଉଛି ଗୋଟିଏ କଳା ଯାହା ବହୁ ପ୍ରକାର ସାମାଜିକ ଓ ଧାର୍ମିକ ଚଳଚ୍ଚିତ୍ର କଳା ଗଠଣ ହୋଇଥାଏ ଯେପରି କାକିଆରକୋଟୁ, କୁଡ଼ିଆରମ୍, କୃଷ୍ଣାଭମ୍, ରାମତମ୍ ଯାହା ପୁରାତନ ସମୟର ଦକ୍ଷିଣାଞ୍ଚଳରେ ଅବସ୍ଥିତ । ମୁଖ୍ୟ ପ୍ରସିଦ୍ଧ କବିଙ୍କ ଅଧିନସ୍ଥ କଥାକଳି "ଭଲ୍ଲଥୋଲ ନାରାୟନ ମେନ୍ଦୁନ୍" ଯିଏ 1930ରେ ଏହି କଳା ମାଧ୍ୟମରେ ସଂରକ୍ଷଣ କରିବା ପାଇଁ କେରଳ କଳାମଣ୍ଡଳ ସ୍ଥାପନ କରିଥିଲେ ।

କଥାକଳି ଏକ ସ୍ଵାଭାବିକ କଳା ଗଠଣ, ନୃତ୍ୟ, ସଙ୍ଗୀତ ଓ ଅଭିନୟର ସମସ୍ତ ଏବଂ କାହାଣୀ ଗୁଡ଼ିକ ମୁଖ୍ୟତଃ ଭାରତୀୟ ଗ୍ରନ୍ଥ ମାନଙ୍କରୁ ଆଦୃତ । ଅଭିନୟରେ ସମସ୍ତ ଚାରୋଟି ଦିଗ ହେଉଛି- ଅଙ୍ଗିକା, ଭାଷାଭକ୍ତା, ଆଚାର୍ଯ୍ୟ, ଶାସ୍ତ୍ରିକ ଓ ନୃତ୍ୟର ତିନୋଟି ଉପାଦାନ ହେଉଛି- ନାଟ୍ୟ, ନୃତ୍ୟ ଓ ନର୍ତ୍ତ୍ୟ ଏକତ୍ରିତ ହେଲେ ନିଖୁଣ ଭାବରେ ପ୍ରଦର୍ଶନ ହୁଏ । ଯେତେଥର ଏହି ନୃତ୍ୟ ପ୍ରଥା ପ୍ରଚଳନ, ବିଶୁଦ୍ଧ ଭାବରେ ଶାରିରୀକ ଶକ୍ତିକୁ ପ୍ରଭାବିତ କରେ । ବୃହତ୍ ଭଉର କୋର୍ଟ, ଓଡ଼ିଶୀ, ଘେର ସ୍ଵର୍ଗ, ପ୍ରାଚୀନ ଅଳଙ୍କାର, ମୁଣ୍ଡରେ ପିନ୍ଧିବା ଏକ ଚମତ୍କାର ପରିଧାନ, ସହ ଅନ୍ୟରେ ପଡୁଥିବା ଲମ୍ବ ଚୂଳ ଏହି ସବୁ ଏହାର ବୈଶିଷ୍ଟ୍ୟ ଯାହା ସମସ୍ତଙ୍କୁ ଅତିଶୟ ଭାବରେ ପ୍ରଭାବିତ କରିଥାଏ । ଯଦି ଚରିତ୍ର ଗୁଡ଼ାକ ସାଦ୍ୱିକ (ମୁଖ୍ୟ ଭୂମିକା ନିର୍ବାହକାରୀ ବା ହିରୋ) ମୌଳିକ ସାଜସଜ୍ଜା 'ପଞ୍ଚା' (green) ଓ ଯିଏ ରାଜସିନ (ଚରିତ୍ର ଗୁଡ଼ିକ ଭିଲିଏନ୍) ମୌଳିକ ସାଜସଜ୍ଜା 'କୁଟି' ଓ ଯେଉଁ ଚରିତ୍ର ଗୁଡ଼ିକ ତାମସିକ (evil character) ମୌଳିକ ସବୁଜ ରଙ୍ଗରେ ନାଲି ରଙ୍ଗ ଆଦୃତ ହୋଇଥାଏ । ଆରମ୍ଭ ମୌଳିକ ସବୁଜ ରଙ୍ଗରେ ଆଛାଦିତ ଚରିତ୍ର ଗୋଟିଏ ତଥାକଥିତ ନାଲି ଓ ନାଟରେ ଧଳା ରଙ୍ଗର ଡିଜାଇନ୍ ଉପର ଭାଗରେ ହୋଇଥାଏ ।

ଅଭିନୟରେ କେତୋଟି ଦିଗ ଥାଏ?

1. ୨

2. ୩

3. ୪

4. ୫

**Options :**

485584137189. 1

485584137190. 2

485584137191. 3

485584137192. 4

**Question Number : 344 Question Id : 48558434299 Question Type : MCQ Option Shuffling : No Is Question Mandatory : No Calculator : None Response Time : N.A Think Time : N.A Minimum Instruction Time : 0**

**Correct Marks : 5 Wrong Marks : 1**

**Question Key Details :**

Key	Value
Comprehension	Comp1

Read the passage and answer the following questions given below:-

Kathakali is a classical dance form which originated in Kerala. Katha in Sanskrit means story and kali in Malayalam means play. So Kathakali is a play based on a story. Kathakali, like other classical dances of India, has its origins in Bharata Muni's Natyasastra. It is an art which has evolved from many social and religious theatrical art forms like Cakiarkottu, Kudiattam, Krsnattam, Ramattam which existed in the Southern region in ancient times. The main custodian of Kathakali is the famous poet Vallathol Narayana Menon who established Kerala Kalamandalam in 1930 for the preservation of this art form.

Kathakali, a stylised art form, is a blend of dance music and acting and dramatizes stories mostly adapted from the Indian epics. All the four aspects of abhinaya - angika, vacika, aharya, Sattrika and the three components of the dance - natya, nrta and nrtya are unified flawlessly in this form, As far as the costume of this dance form is concerned, it is elaborate and designed to heighten the effect of physical strength. The large overcoats, the flowing scarves, the bulging skirts, the antique ornaments, the strikingly opulent head dresses with streaming hair flowing down to the waist and covering the back all create enlarged figures well befitting the sculptured facial features and produce tremendously impressive impersonations. If the characters are Sattvika (a righteous character or hero), the basic make up is pacca (green); if the characters are rajsika (a character with particular vices or anti hero) the basic make up is cutti (white); and if the characters are tamsika (an evil character or villain), the basic green make up is broken up by red patches. Also, on the basic green make up, an oral red and white design is made on the nose and on the upper nose.

Which of the following is not the component of dance?

1. natya
2. vacika
3. nrta
4. nrtya

**Options :**

485584137193. 1  
485584137194. 2  
485584137195. 3  
485584137196. 4

**Question Number : 344 Question Id : 48558434299 Question Type : MCQ Option Shuffling : No Is Question Mandatory : No Calculator : None Response Time : N.A Think Time : N.A Minimum Instruction Time : 0**

**Correct Marks : 5 Wrong Marks : 1**

**Question Key Details :**

Key	Value
Comprehension	Comp1

**ଦିଆଯାଇଥିବା ଅନୁଚ୍ଛେଦଟିକୁ ପଢ଼ି ଓ ନିମ୍ନସ୍ଥ ପ୍ରଶ୍ନଗୁଡ଼ିକର ଉତ୍ତର ପ୍ରଦାନ କର:**

କଥାକଳି ହେଉଛି ଶାସ୍ତ୍ରୀୟ ନୃତ୍ୟ ଯାହା କର୍ଣ୍ଣାଟକରୁ ଉତ୍ପତ୍ତି ହୋଇ ଗଠଣ ହୋଇଛି । ସମସ୍ୱତରେ କଥା କହିଲେ ଗନ୍ତ ଓ ମାଳାୟାଲମ୍ରେ କଳି କହିଲେ ନାଟକ । ତେଣୁ କଥାକଳି କହିଲେ ଗୋଟିଏ ନାଟକ ଯେଉଁଥିରେ ଗନ୍ତଟିଏ ଥାଏ । କଥାକଳି ପରି ଭାରତର ଅନ୍ୟ ଶାସ୍ତ୍ରୀୟ ନୃତ୍ୟଗୁଡ଼ିକ ଭାରତ ମୁନୀ ନାଟ୍ୟଶାସ୍ତ୍ରରୁ ଉତ୍ପତ୍ତି ହୋଇଛି । ଏହା ହେଉଛି ଗୋଟିଏ କଳା ଯାହା ବହୁ ପ୍ରକାର ସାମାଜିକ ଓ ଧାର୍ମିକ ଚଳଚ୍ଚିତ୍ର କଳା ଗଠଣ ହୋଇଥାଏ ଯେପରି କାକିଆରକୋଟୁ, କୁଡ଼ିଆଉମ, କୃଷ୍ଣାଉମ, ରାମତମ୍ ଯାହା ପୁରାତନ ସମୟର ଦକ୍ଷିଣାଞ୍ଚଳରେ ଅବସ୍ଥିତ । ମୁଖ୍ୟ ପ୍ରସିଦ୍ଧ କବିଙ୍କ ଅଧିନସ୍ଥ କଥାକଳି "ଭଲଥୋଲ ନାରାୟନ ମେନୁନ୍" ଯିଏ 1930ରେ ଏହି କଳା ମାଧ୍ୟମରେ ସଂରକ୍ଷଣ କରିବା ପାଇଁ କେରଳ କଳାମଣ୍ଡଳ ସ୍ଥାପନ କରିଥିଲେ ।

କଥାକଳି ଏକ ସ୍ୱାଭାବିକ କଳା ଗଠଣ, ନୃତ୍ୟ, ସଙ୍ଗୀତ ଓ ଅଭିନୟର ସମସ୍ତ ଏବଂ କାହାଣୀ ଗୁଡ଼ିକ ମୁଖ୍ୟତଃ ଭାରତୀୟ ଗ୍ରନ୍ଥ ମାନଙ୍କରୁ ଆଦୃତ । ଅଭିନୟରେ ସମସ୍ତ ଚାରୋଟି ଦିଗ ହେଉଛି- ଅଙ୍ଗିକା, ଭାଷାକଳା, ଆଚାର୍ଯ୍ୟ, ଶାସ୍ତ୍ରୀକ ଓ ନୃତ୍ୟର ତିନୋଟି ଉପାଦାନ ହେଉଛି- ନାଟ୍ୟ, ନୃତ୍ୟ ଓ ନର୍ତ୍ତ୍ୟ ଏକତ୍ରିତ ହେଲେ ନିଷ୍ପତ୍ତି ଭାବରେ ପ୍ରଦର୍ଶନ ହୁଏ । ଯେତେପରି ଏହି ନୃତ୍ୟ ପ୍ରଥା ପ୍ରଚଳନ, ବିଶୁଦ୍ଧ ଭାବରେ ଶାରିରୀକ ଶକ୍ତିକୁ ପ୍ରଭାବିତ କରେ । ବୃହତ୍ ଉତ୍ତର କୋର୍ଟ, ଓଡ଼ିଶା, ଘେର ସ୍ୱର୍ଗ, ପ୍ରାଚୀନ ଅଳଙ୍କାର, ମୁଣ୍ଡରେ ପିନ୍ଧିବା ଏକ ଚମତ୍କାର ପରିଧାନ, ସହ ଅନ୍ୟରେ ପଢ଼ୁଥିବା ଲମ୍ବ ବୁଲ ଏହି ସବୁ ଏହାର ବୈଶିଷ୍ଟ୍ୟ ଯାହା ସମସ୍ତଙ୍କୁ ଅତିଶୟ ଭାବରେ ପ୍ରଭାବିତ କରିଥାଏ । ଯଦି ଚରିତ୍ର ଗୁଡ଼ାକ ସାଦ୍ୱିକ (ମୁଖ୍ୟ ଭୂମିକା ନିର୍ବାହକାରୀ ବା ହିରୋ) ମୌଳିକ ସାଜସଜ୍ଜା 'ପଞ୍ଚା' (green) ଓ ଯିଏ ରାଜସିନ (ଚରିତ୍ର ଗୁଡ଼ିକ ଭିଲିଏନ୍) ମୌଳିକ ସାଜସଜ୍ଜା 'କୁଟି' ଓ ଯେଉଁ ଚରିତ୍ର ଗୁଡ଼ିକ ତାମସିକ (evil character) ମୌଳିକ ସବୁଜ ରଙ୍ଗରେ ନାଲି ରଙ୍ଗ ଆଦୃତ ହୋଇଥାଏ । ଆରମ୍ଭ ମୌଳିକ ସବୁଜ ରଙ୍ଗରେ ଆହୁରିତ ଚରିତ୍ର ଗୋଟିଏ ତଥାକଥିତ ନାଲି ଓ ନାଟରେ ଧଳା ରଙ୍ଗର ଡିଜାଇନ୍ ଉପର ଭାଗରେ ହୋଇଥାଏ ।

ନିମ୍ନଲିଖିତ ମଧ୍ୟରୁ କେଉଁଟି ନୃତ୍ୟର ଉପାଦାନ ନୁହେଁ?

1. ନାଟ୍ୟ
2. ଭାଷିକା
3. ନଢ
4. ନୃତ୍ୟ

**Options :**

485584137193. 1  
485584137194. 2  
485584137195. 3  
485584137196. 4

**Question Number : 345 Question Id : 48558434300 Question Type : MCQ Option Shuffling : No Is Question Mandatory : No Calculator : None Response Time : N.A Think Time : N.A Minimum Instruction Time : 0**

**Correct Marks : 5 Wrong Marks : 1**

**Question Key Details :**

Key	Value
Comprehension	Comp1

Read the passage and answer the following questions given below:-

Kathakali is a classical dance form which originated in Kerala. Katha in Sanskrit means story and kali in Malayalam means play. So Kathakali is a play based on a story. Kathakali, like other classical dances of India, has its origins in Bharata Muni's Natyasastra. It is an art which has evolved from many social and religious theatrical art forms like Cakiarkottu, Kudiattam, Krsnattam, Ramattam which existed in the Southern region in ancient times. The main custodian of Kathakali is the famous poet Vallathol Narayana Menon who established Kerala Kalamandalam in 1930 for the preservation of this art form.

Kathakali, a stylised art form, is a blend of dance music and acting and dramatizes stories mostly adapted from the Indian epics. All the four aspects of abhinaya - angika, vacika, aharya, Sattrika and the three components of the dance - natya, nrta and nrtya are unified flawlessly in this form, As far as the costume of this dance form is concerned, it is elaborate and designed to heighten the effect of physical strength. The large overcoats, the flowing scarves, the bulging skirts, the antique ornaments, the strikingly opulent head dresses with streaming hair flowing down to the waist and covering the back all create enlarged figures well befitting the sculptured facial features and produce tremendously impressive impersonations. If the characters are Sattvika (a righteous character or hero), the basic make up is pacca (green); if the characters are rajsika (a character with particular vices or anti hero) the basic make up is cutti (white); and if the characters are tamsika (an evil character or villain), the basic green make up is broken up by red patches. Also, on the basic green make up, an oral red and white design is made on the nose and on the upper nose.

In Kathakali dance form, Basic make up colour changes according to character. If the characters are rajsika, what will be the basic colour makeup

1. Green
2. White
3. Green with red patches
4. White with red patches

**Options :**

- 485584137197. 1
- 485584137198. 2
- 485584137199. 3
- 485584137200. 4

**Question Number : 345 Question Id : 48558434300 Question Type : MCQ Option Shuffling : No Is Question Mandatory : No Calculator : None Response Time : N.A Think Time : N.A Minimum Instruction Time : 0**

**Correct Marks : 5 Wrong Marks : 1**

**Question Key Details :**

Key	Value
Comprehension	Comp1

**ଦିଆଯାଇଥିବା ଅନୁଚ୍ଛେଦଟିକୁ ପଢ଼ି ଓ ନିମ୍ନସ୍ଥ ପ୍ରଶ୍ନଗୁଡ଼ିକର ଉତ୍ତର ପ୍ରଦାନ କର:**

କଥାକଳି ହେଉଛି ଶାସ୍ତ୍ରୀୟ ନୃତ୍ୟ ଯାହା କର୍ଣ୍ଣାଟକରୁ ଉତ୍ପତ୍ତି ହୋଇ ଗଠଣ ହୋଇଛି । ସମସ୍ତରେ କଥା କହିଲେ ଗନ୍ତ ଓ ମାଲାୟାଲାମ୍ରେ କଳି କହିଲେ ନାଟକ । ତେଣୁ କଥାକଳି କହିଲେ ଗୋଟିଏ ନାଟକ ଯେଉଁଥିରେ ଗନ୍ତଟିଏ ଥାଏ । କଥାକଳି ପରି ଭାରତର ଅନ୍ୟ ଶାସ୍ତ୍ରୀୟ ନୃତ୍ୟଗୁଡ଼ିକ ଭାରତ ମୁନୀ ନାଟ୍ୟଶାସ୍ତ୍ରରୁ ଉତ୍ପତ୍ତି ହୋଇଛି । ଏହା ହେଉଛି ଗୋଟିଏ କଳା ଯାହା ବହୁ ପ୍ରକାର ସାମାଜିକ ଓ ଧାର୍ମିକ ଚଳଚ୍ଚିତ୍ର କଳା ଗଠଣ ହୋଇଥାଏ ଯେପରି କାକିଆରକୋଟୁ, କୁଡ଼ିଆଇମ୍, କୃଷ୍ଣାଭମ୍, ରାମଚମ୍ ଯାହା ପୁରାତନ ସମୟର ଦକ୍ଷିଣାଞ୍ଚଳରେ ଅବସ୍ଥିତ । ମୁଖ୍ୟ ପ୍ରସିଦ୍ଧ କବିଙ୍କ ଅଧିନସ୍ଥ କଥାକଳି "ଭଲ୍ଲଥୋଲ ନାରାୟନ ମେନୁନ୍" ଯିଏ 1930ରେ ଏହି କଳା ମାଧ୍ୟମରେ ସଂରକ୍ଷଣ କରିବା ପାଇଁ କେରଳ କଳାମଣ୍ଡଳ ସ୍ଥାପନ କରିଥିଲେ ।

କଥାକଳି ଏକ ଷ୍ଟାଇଲର କଳା ଗଠଣ, ନୃତ୍ୟ, ସଙ୍ଗୀତ ଓ ଅଭିନୟର ସମଷ୍ଟି ଏବଂ କାହାଣୀ ଗୁଡ଼ିକ ମୁଖ୍ୟତଃ ଭାରତୀୟ ଗ୍ରନ୍ଥ ମାନଙ୍କରୁ ଆଦୃତ । ଅଭିନୟରେ ସମସ୍ତ ଚାରୋଟି ଦିଗ ହେଉଛି- ଅଙ୍ଗିକା, ଭାଷାକଳା, ଆଚାର୍ଯ୍ୟ, ଶାସ୍ତ୍ରିକ ଓ ନୃତ୍ୟର ତିନୋଟି ଉପାଦାନ ହେଉଛି- ନାଟ୍ୟ, ନୃତ୍ୟ ଓ ନର୍ତ୍ତ୍ୟ ଏକତ୍ରିତ ହେଲେ ନିଷ୍ପତ୍ତି ଭାବରେ ପ୍ରଦର୍ଶନ ହୁଏ । ଯେତେଥର ଏହି ନୃତ୍ୟ ପ୍ରଥା ପ୍ରଚଳନ, ବିଶୁଦ୍ଧ ଭାବରେ ଶାରିରୀକ ଶକ୍ତିକୁ ପ୍ରଭାବିତ କରେ । ବୃହତ୍ ଉତ୍ତର କୋର୍ଟ, ଓଡ଼ିଶୀ, ଘେର ଷ୍ଟର୍ଟ, ପ୍ରାଚୀନ ଅଳଙ୍କାର, ମୁଣ୍ଡରେ ପିନ୍ଧିବା ଏକ ଚମତ୍କାର ପରିଧାନ, ସହ ଅନ୍ୟରେ ପଡ଼ୁଥିବା ଲମ୍ବ ଚୂଳ ଏହି ସବୁ ଏହାର ବୈଶିଷ୍ଟ୍ୟ ଯାହା ସମସ୍ତଙ୍କୁ ଅତିଶୟ ଭାବରେ ପ୍ରଭାବିତ କରିଥାଏ । ଯଦି ଚରିତ୍ର ଗୁଡ଼ାକ ସାହିକ (ମୁଖ୍ୟ ଭୂମିକା ନିର୍ବାହକାରୀ ବା ହିରୋ) ମୌଳିକ ସାଜସଜ୍ଜା 'ପଦ୍ମ' (green) ଓ ଯିଏ ରାଜସିନ (ଚରିତ୍ର ଗୁଡ଼ିକ ଭିଲିଏନ୍) ମୌଳିକ ସାଜସଜ୍ଜା 'କୁଟି' ଓ ଯେଉଁ ଚରିତ୍ର ଗୁଡ଼ିକ ତାମସିକ (evil character) ମୌଳିକ ସବୁଜ ରଙ୍ଗରେ ନାଲି ରଙ୍ଗ ଆଦୃତ ହୋଇଥାଏ । ଆରମ୍ଭ ମୌଳିକ ସବୁଜ ରଙ୍ଗରେ ଆହ୍ଲାଦିତ ଚରିତ୍ର ଗୋଟିଏ ତଥାକଥିତ ନାଲି ଓ ନାଟରେ ଧଳା ରଙ୍ଗର ଡିଜାଇନ୍ ଉପର ଭାଗରେ ହୋଇଥାଏ ।

କଥାକଳି ନୃତ୍ୟରେ ମୌଳିକ ସାଜସଜ୍ଜାଗୁଡ଼ିକ ଚରିତ୍ର ଅନୁଯାୟୀ ରଙ୍ଗର ପରିବର୍ତ୍ତନ ହୋଇଥାଏ । ଯଦି ଚରିତ୍ରଟି ରାଜସିକ, ତାହେଲେ ତା'ର ମୌଳିକ ରଙ୍ଗ ସାଜସଜ୍ଜା କଣ ହୋଇଥାଏ?

1. ସବୁଜ
2. ଧଳା
3. ସବୁଜ ସହ ନାଲି ପେଟ
4. ଧଳା ସହ ନାଲି ପେଟ ଗୁଡ଼ିକ

**Options :**

485584137197. 1  
485584137198. 2  
485584137199. 3  
485584137200. 4

**Sub-Section Number :** 3  
**Sub-Section Id :** 4855842544  
**Question Shuffling Allowed :** No  
**Is Section Default? :** null

**Question Number : 346 Question Id : 48558434301 Question Type : MCQ Option Shuffling : No Is Question Mandatory : No Calculator : None Response Time : N.A Think Time : N.A Minimum Instruction Time : 0**

**Correct Marks : 5 Wrong Marks : 1**

**Question Key Details :**

Key	Value
Comprehension	Comp2

Read the following passage and answer the questions given below:

The moral code of the people is an indicator of their social and spiritual ways of life. The true essence of human life is to live amidst worldly joy and sorrows, Ethics is primarily concerned with the moral issues of the world. True religion lays stress on moral virtues. People are required to discharge their duties according to the moral code of ethics. A true knowledge of ethics would be attained if one practices and imbibes these moral values. Ethics is of two kinds individuals and social. Individual ethics is indicative of the good qualities that are essential for individual well-being of the good qualities that are essential for individual well-being and happiness. Social ethics represents the values that are needed for social order and harmony.

In the knowledge tradition of India ethics has its origin in its religious and philosophical thinking. From time immemorial, various religious faiths have flourished here. Every religious and every philosophical system of India has a prominent ethical component. Ethics is the core of all these systems. In every religious tradition, good moral conduct is considered essential for a happy and contented life.

Choose from the following that is not the purpose of the moral code of ethics.

1. To perform duties in the society
2. To live a balanced life between joy and sorrow
3. To live a peaceful life
4. To keep a strict discipline

**Options :**

485584137201. 1  
485584137202. 2  
485584137203. 3  
485584137204. 4

**Question Number : 346 Question Id : 48558434301 Question Type : MCQ Option Shuffling : No Is Question Mandatory : No Calculator : None Response Time : N.A Think Time : N.A Minimum Instruction Time : 0**

**Correct Marks : 5 Wrong Marks : 1**

**Question Key Details :**

Key	Value
Comprehension	Comp2

**ବିଆଯାଇଥିବା ଅନୁଚ୍ଛେଦଟିକୁ ପଢ଼ି ଓ ନିମ୍ନ ପ୍ରଶ୍ନଗୁଡ଼ିକର ଉତ୍ତର ପ୍ରଦାନ କର:**

ଲୋକାମାନଙ୍କର ନୈତିକ କୋଡ଼ ସେମାନଙ୍କ ସାମାଜିକ ଓ ଆଧ୍ୟାତ୍ମିକ ଜୀବନ ଶୈଳୀର ପ୍ରଦର୍ଶକ ବା ନିର୍ଦ୍ଦେଶକ ଅଟେ । ମାନବ ଜୀବନର ପ୍ରକୃତ ଚକ୍ଷୁ ହେଉଛି ସଂସାରର ସୁଖ ଦୁଃଖ ନେଇ ବଞ୍ଚିବା । ନୀତି ଶାସ୍ତ୍ର ମୂଳତଃ ପାର୍ଥକ୍ୟ ନୈତିକ ଘଟଣା ସହ ସମ୍ବନ୍ଧିତ ବା ଜଡ଼ିତ । ପ୍ରକୃତ ଧର୍ମ ନୈତିକ ପୁଣ୍ୟ ଭାବରେ ଗୁରୁତ୍ୱ ଆରୋପ କରିଥାଏ । ଲୋକମାନେ ନୀତିଶାସ୍ତ୍ରର ନୈତିକ କୋଡ଼ ଅନୁଯାୟୀ ସେମାନଙ୍କର କର୍ତ୍ତବ୍ୟ ନିର୍ବାହ କରିବା ଭବିଷ୍ୟତ । ନୀତିବିଜ୍ଞାନର ପ୍ରକୃତ ଜ୍ଞାନ ହାସଲ କରାଯାଇ ପାରିବ ସେତିକିବେଳେ, ଯେତେବେଳେ ଜଣେ ଏହି ନୈତିକ ମୂଲ୍ୟବୋଧକୁ ହୃଦୟଙ୍ଗମ କରିବ । ନୀତିବିଜ୍ଞାନ ବା ଶାସ୍ତ୍ର ଦୁଇ ପ୍ରକାରର ଯଥା ବ୍ୟକ୍ତିଗତ ଓ ସାମାଜିକ । ବ୍ୟକ୍ତିଗତ ନୀତିଶାସ୍ତ୍ର ବ୍ୟକ୍ତିର ଉତ୍ତର ଚରିତ୍ର ଗଠନ ନିମିତ୍ତ ଆବଶ୍ୟକ ଭାବେ ଗୁଣାବଳୀକୁ ଓ ସୁଖକୁ ନିର୍ଦ୍ଦେଶ କରିଥାଏ । ସାମାଜିକ ନୀତିଶାସ୍ତ୍ର ସମାଜର ପ୍ରଚଳିତ ପଦ୍ଧତିରେ ଶାନ୍ତି ବଜାୟ ରକ୍ଷଣର ମୂଲ୍ୟବୋଧକୁ ପ୍ରତିନିଧିତ୍ୱ କରେ ।

ଭାରତୀୟ ଜ୍ଞାନ ପରମ୍ପରା ଏହାର ଧାର୍ମିକ ଓ ଦାର୍ଶନିକ ଭାବନାରେ ନୀତିଶାସ୍ତ୍ରରେ ପର୍ଯ୍ୟବେଶିତ । ଆବାହମାନ କାଳରୁ ଏଠାରେ ଭିନ୍ନ ଭିନ୍ନ ଧର୍ମବିଶ୍ୱାସ ପ୍ରବାହମାନ । ଭାରତରେ ପ୍ରତ୍ୟେକ ଧାର୍ମିକ ଓ ପ୍ରତ୍ୟେକ ଦାର୍ଶନିକ ପଦ୍ଧତିର ଏକ ଏକ ସମ୍ପୂର୍ଣ୍ଣତ ନୀତି ଭାବେ ରହିଛି । ଏହିସବୁ ପଦ୍ଧତିର କେନ୍ଦ୍ରବିନ୍ଦୁ ହେଉଛି ନୈତିକତା । ପ୍ରତ୍ୟେକ ଧାର୍ମିକ ପରମ୍ପରାରେ ଉତ୍ତମ ବ୍ୟବହାର ଏବଂ ଶାନ୍ତି ଓ ତୃପ୍ତିର ଜୀବନ ନିର୍ବାହ ହେଉଛି ଅତ୍ୟନ୍ତ ଜରୁରୀ ବୋଲି ବିଚାର୍ଯ୍ୟ ।



ନିମ୍ନଲିଖିତ ମଧ୍ୟରୁ କେଉଁଟି ନୈତିକତାର ନୈତିକ ଉଦ୍ଦେଶ୍ୟ ନୁହେଁ ବାଛି ।

1. ସମାଜରେ କାର୍ଯ୍ୟ ନିର୍ବାହ କରିବା
2. ଦୁଃଖ ଓ ଖୁସି ମଧ୍ୟରେ ଜୀବନକୁ ସନ୍ତୁଳିତ ରଖିବା
3. ଶାନ୍ତିପୂର୍ଣ୍ଣ ଜୀବନ ବଞ୍ଚିବା
4. କଡ଼ାକଡ଼ି ଶୃଙ୍ଖଳା ରକ୍ଷା କରିବା

**Options :**

485584137201. 1  
485584137202. 2  
485584137203. 3  
485584137204. 4

**Question Number : 347 Question Id : 48558434302 Question Type : MCQ Option Shuffling : No Is Question Mandatory : No Calculator : None Response Time : N.A Think Time : N.A Minimum Instruction Time : 0**

**Correct Marks : 5 Wrong Marks : 1**

**Question Key Details :**

Key	Value
Comprehension	Comp2

Read the following passage and answer the questions given below:

The moral code of the people is an indicator of their social and spiritual ways of life. The true essence of human life is to live amidst worldly joy and sorrows, Ethics is primarily concerned with the moral issues of the world. True religion lays stress on moral virtues. People are required to discharge their duties according to the moral code of ethics. A true knowledge of ethics would be attained if one practices and imbibes these moral values. Ethics is of two kinds individuals and social. Individual ethics is indicative of the good qualities that are essential for individual well-being of the good qualities that are essential for individual well-being and happiness. Social ethics represents the values that are needed for social order and harmony.

In the knowledge tradition of India ethics has its origin in its religious and philosophical thinking. From time immemorial, various religious faiths have flourished here. Every religious and every philosophical system of India has a prominent ethical component. Ethics is the core of all these systems. In every religious tradition, good moral conduct is considered essential for a happy and contented life.

What are the two major types of Ethics?

1. Religious and Philosophical
2. Individual and Social
3. Opened and Closed
4. Hard and Soft

**Options :**

485584137205. 1  
485584137206. 2

485584137207. 3

485584137208. 4

**Question Number : 347 Question Id : 48558434302 Question Type : MCQ Option Shuffling : No Is Question Mandatory : No Calculator : None Response Time : N.A Think Time : N.A Minimum Instruction Time : 0**

**Correct Marks : 5 Wrong Marks : 1**

**Question Key Details :**

Key	Value
Comprehension	Comp2

**ଦିଆଯାଇଥିବା ଅନୁଲେଖନକୁ ପଢ଼ି ଓ ନିମ୍ନସ୍ଥ ପ୍ରଶ୍ନଗୁଡ଼ିକର ଉତ୍ତର ପ୍ରଦାନ କର:**

ଲୋକାମାନଙ୍କର ନୈତିକ କୋଡ଼ ସେମାନଙ୍କ ସାମାଜିକ ଓ ଆଧ୍ୟାତ୍ମିକ ଜୀବନ ଶୈଳୀର ପ୍ରଦର୍ଶକ ବା ନିର୍ଦ୍ଦେଶକ ଅଟେ । ମାନବ ଜୀବନର ପ୍ରକୃତ ତତ୍ତ୍ୱ ହେଉଛି ସଂସାରର ସୁଖ ଦୁଃଖ ନେଇ ବଞ୍ଚିବା । ନୀତି ଶାସ୍ତ୍ର ମୂଳତଃ ପାର୍ଯ୍ୟବ ନୈତିକ ଘଟଣା ସହ ସମ୍ବନ୍ଧିତ ବା ଜଡ଼ିତ । ପ୍ରକୃତ ଧର୍ମ ନୈତିକ ପୁଣ୍ୟ ଭାବରେ ଗୁରୁତ୍ୱ ଆରୋପ କରିଥାଏ । ଲୋକମାନେ ନୀତିଶାସ୍ତ୍ରର ନୈତିକ କୋଡ଼ ଅନୁଯାୟୀ ସେମାନଙ୍କର କର୍ତ୍ତବ୍ୟ ନିର୍ବାହ କରିବା ଉଚିତ୍ । ନୀତିବିଜ୍ଞାନର ପ୍ରକୃତ ଜ୍ଞାନ ହାସଲ କରାଯାଇ ପାରିବ ସେତିକିବେଳେ, ଯେତେବେଳେ ଜଣେ ଏହି ନୈତିକ ମୂଲ୍ୟବୋଧକୁ ହୃଦୟଙ୍ଗମ କରିବ । ନୀତିବିଜ୍ଞାନ ବା ଶାସ୍ତ୍ର ଦୁଇ ପ୍ରକାରର ଯଥା ବ୍ୟକ୍ତିଗତ ଓ ସାମାଜିକ । ବ୍ୟକ୍ତିଗତ ନୀତିଶାସ୍ତ୍ର ବ୍ୟକ୍ତିର ଉତ୍ତର ଚରିତ୍ର ଗଠନ ନିମିତ୍ତ ଆବଶ୍ୟକ ଉତ୍ତମ ଗୁଣାବଳୀକୁ ଓ ସୁଖକୁ ନିର୍ଦ୍ଦେଶ କରିଥାଏ । ସାମାଜିକ ନୀତିଶାସ୍ତ୍ର ସମାଜର ପ୍ରଚଳିତ ପଦ୍ଧତିରେ ଶାନ୍ତି ବଜାୟ ରକ୍ଷଣର ମୂଲ୍ୟବୋଧକୁ ପ୍ରତିନିଧିତ୍ୱ କରେ ।

ଭାରତୀୟ ଜ୍ଞାନ ପରମ୍ପରା ଏହାର ଧାର୍ମିକ ଓ ଦାର୍ଶନିକ ଭାବନାରେ ନୀତିଶାସ୍ତ୍ରରେ ପର୍ଯ୍ୟବେଶିତ । ଆବାହମାନ କାଳରୁ ଏଠାରେ ଭିନ୍ନ ଭିନ୍ନ ଧର୍ମବିଶ୍ୱାସ ପ୍ରବାହମାନ । ଭାରତରେ ପ୍ରତ୍ୟେକ ଧାର୍ମିକ ଓ ପ୍ରତ୍ୟେକ ଦାର୍ଶନିକ ପଦ୍ଧତିର ଏକ ଏକ ସମ୍ପୂର୍ଣ୍ଣତ ନୀତି ଉପାଦାନ ରହିଛି । ଏହିସବୁ ପଦ୍ଧତିର କେନ୍ଦ୍ରବିନ୍ଦୁ ହେଉଛି ନୈତିକତା । ପ୍ରତ୍ୟେକ ଧାର୍ମିକ ପରମ୍ପରାରେ ଉତ୍ତମ ବ୍ୟବହାର ଏବଂ ଶାନ୍ତି ଓ ତୃପ୍ତିର ଜୀବନ ନିର୍ବାହ ହେଉଛି ଅତ୍ୟନ୍ତ ଜରୁରୀ ବୋଲି ବିଚାର୍ଯ୍ୟ ।

ଦୁଇଟି ପ୍ରମୁଖ ନୈତିକ କଣ କଣ?

1. ଧାର୍ମିକ ଓ ଦାର୍ଶନିକ
2. ବ୍ୟକ୍ତିଗତ ଓ ସାମାଜିକ
3. ମୁକ୍ତ ଓ ନିବୁଜ
4. କଠିଣ ଓ କୋମଳ

**Options :**

485584137205. 1

485584137206. 2

485584137207. 3

485584137208. 4

**Question Number : 348 Question Id : 48558434303 Question Type : MCQ Option Shuffling : No Is Question Mandatory : No Calculator : None Response Time : N.A Think Time : N.A Minimum Instruction Time : 0**

**Correct Marks : 5 Wrong Marks : 1**

**Question Key Details :**

Key	Value
Comprehension	Comp2

Read the following passage and answer the questions given below:

The moral code of the people is an indicator of their social and spiritual ways of life. The true essence of human life is to live amidst worldly joy and sorrows, Ethics is primarily concerned with the moral issues of the world. True religion lays stress on moral virtues. People are required to discharge their duties according to the moral code of ethics. A true knowledge of ethics would be attained if one practices and imbibes these moral values. Ethics is of two kinds individuals and social. Individual ethics is indicative of the good qualities that are essential for individual well-being of the good qualities that are essential for individual well-being and happiness. Social ethics represents the values that are needed for social order and harmony.

In the knowledge tradition of India ethics has its origin in its religious and philosophical thinking. From time immemorial, various religious faiths have flourished here. Every religious and every philosophical system of India has a prominent ethical component. Ethics is the core of all these systems. In every religious tradition, good moral conduct is considered essential for a happy and contented life.

In the knowledge tradition of India, Ethics originated in \_\_\_\_\_

1. Religious and Philosophical thinking
2. Traditional and Spiritual thinking
3. Broad and Positive thinking
4. Backward and Negative thinking

**Options :**

- 485584137209. 1
- 485584137210. 2
- 485584137211. 3
- 485584137212. 4

**Question Number : 348 Question Id : 48558434303 Question Type : MCQ Option Shuffling : No Is Question Mandatory : No Calculator : None Response Time : N.A Think Time : N.A Minimum Instruction Time : 0**

**Correct Marks : 5 Wrong Marks : 1**

**Question Key Details :**

Key	Value
Comprehension	Comp2

**ବିଆଯାଇଥିବା ଅନୁଛେଦଟିକୁ ପଢ଼ି ଓ ନିମ୍ନ ପ୍ରଶ୍ନଗୁଡ଼ିକର ଉତ୍ତର ପ୍ରଦାନ କର:**

ଲୋକାମାନଙ୍କର ନୈତିକ କୋଡ଼ ସେମାନଙ୍କ ସାମାଜିକ ଓ ଆଧ୍ୟାତ୍ମିକ ଜୀବନ ଶୈଳୀର ପ୍ରଦର୍ଶକ ବା ନିର୍ଦ୍ଦେଶକ ଅଟେ । ମାନବ ଜୀବନର ପ୍ରକୃତ ତତ୍ତ୍ୱ ହେଉଛି ସଂସାରର ସୁଖ ଦୁଃଖ ନେଇ ବଞ୍ଚିବା । ନୀତି ଶାସ୍ତ୍ର ମୂଳତଃ ପାର୍ଥବ ନୈତିକ ଘଟଣା ସହ ସମ୍ବନ୍ଧିତ ବା ଜଡ଼ିତ । ପ୍ରକୃତ ଧର୍ମ ନୈତିକ ପୁଣ୍ୟ ଉପରେ ଗୁରୁତ୍ୱ ଆରୋପ କରିଥାଏ । ଲୋକମାନେ ନୀତିଶାସ୍ତ୍ରର ନୈତିକ କୋଡ଼ ଅନୁଯାୟୀ ସେମାନଙ୍କର କର୍ତ୍ତବ୍ୟ ନିର୍ବାହ କରିବା ଉଚିତ୍ । ନୀତିବିଜ୍ଞାନର ପ୍ରକୃତ ଜ୍ଞାନ ହାସଲ କରାଯାଇ ପାରିବ ସେତିକିବେଳେ, ଯେତେବେଳେ ଜଣେ ଏହି ନୈତିକ ମୂଲ୍ୟବୋଧକୁ ହୃଦୟଙ୍ଗମ କରିବ । ନୀତିବିଜ୍ଞାନ ବା ଶାସ୍ତ୍ର ଦୁଇ ପ୍ରକାରର ଯଥା ବ୍ୟକ୍ତିଗତ ଓ ସାମାଜିକ । ବ୍ୟକ୍ତିଗତ ନୀତିଶାସ୍ତ୍ର ବ୍ୟକ୍ତିର ଉତ୍ତର ଚରିତ୍ର ଗଠନ ନିମିତ୍ତ ଆବଶ୍ୟକ ଉତ୍ତମ ଗୁଣାବଳୀକୁ ଓ ସୁଖକୁ ନିର୍ଦ୍ଦେଶ କରିଥାଏ । ସାମାଜିକ ନୀତିଶାସ୍ତ୍ର ସମାଜର ପ୍ରଚଳିତ ପଦ୍ଧତିରେ ଶାନ୍ତି ବଜାୟ ରକ୍ଷଣର ମୂଲ୍ୟବୋଧକୁ ପ୍ରତିନିଧିତ୍ୱ କରେ ।

ଭାରତୀୟ ଜ୍ଞାନ ପରମ୍ପରା ଏହାର ଧାର୍ମିକ ଓ ଦାର୍ଶନିକ ଭାବନାରେ ନୀତିଶାସ୍ତ୍ରରେ ପର୍ଯ୍ୟବେଶିତ । ଆବାହମାନ କାଳରୁ ଏଠାରେ ଭିନ୍ନ ଭିନ୍ନ ଧର୍ମବିଶ୍ୱାସ ପ୍ରବାହମାନ । ଭାରତରେ ପ୍ରତ୍ୟେକ ଧାର୍ମିକ ଓ ପ୍ରତ୍ୟେକ ଦାର୍ଶନିକ ପଦ୍ଧତିର ଏକ ଏକ ସମ୍ବନ୍ଧିତ ନୀତି ଉପାଦାନ ରହିଛି । ଏହିସବୁ ପଦ୍ଧତିର କେନ୍ଦ୍ରବିନ୍ଦୁ ହେଉଛି ନୈତିକତା । ପ୍ରତ୍ୟେକ ଧାର୍ମିକ ପରମ୍ପରାରେ ଉତ୍ତମ ବ୍ୟବହାର ଏବଂ ଶାନ୍ତି ଓ ତୃପ୍ତିର ଜୀବନ ନିର୍ବାହ ହେଉଛି ଅତ୍ୟନ୍ତ ଜରୁରୀ ବୋଲି ବିଚାର୍ଯ୍ୟ ।

ଭାରତର ଜ୍ଞାନ ପ୍ରଥାରେ, ନୈତିକ \_\_\_\_\_ ରୁ ନିରୂପଣ ହୁଏ ।

- 1. ଧାର୍ମିକ ଓ ଦାର୍ଶନିକ ଚିନ୍ତାଧାରା
- 2. ପାରମ୍ପରିକ ଓ ଆଧ୍ୟାତ୍ମିକ ଚିନ୍ତାଧାରା
- 3. ବିଜ୍ଞାନ ଓ ସକାରାତ୍ମକ ଚିନ୍ତାଧାରା
- 4. ପଛୁଆ ଓ ନକାରାତ୍ମକ ଚିନ୍ତାଧାରା

**Options :**

- 485584137209. 1
- 485584137210. 2
- 485584137211. 3
- 485584137212. 4

**Question Number : 349 Question Id : 48558434304 Question Type : MCQ Option Shuffling : No Is Question Mandatory : No Calculator : None Response Time : N.A Think Time : N.A Minimum Instruction Time : 0**

**Correct Marks : 5 Wrong Marks : 1**

**Question Key Details :**

Key	Value
Comprehension	Comp2

Read the following passage and answer the questions given below:

The moral code of the people is an indicator of their social and spiritual ways of life. The true essence of human life is to live amidst worldly joy and sorrows, Ethics is primarily concerned with the moral issues of the world. True religion lays stress on moral virtues. People are required to discharge their duties according to the moral code of ethics. A true knowledge of ethics would be attained if one practices and imbibes these moral values. Ethics is of two kinds individuals and social. Individual ethics is indicative of the good qualities that are essential for individual well-being of the good qualities that are essential for individual well-being and happiness. Social ethics represents the values that are needed for social order and harmony.

In the knowledge tradition of India ethics has its origin in its religious and philosophical thinking. From time immemorial, various religious faiths have flourished here. Every religious and every philosophical system of India has a prominent ethical component. Ethics is the core of all these systems. In every religious tradition, good moral conduct is considered essential for a happy and contented life.

Ethics is primarily concerned with the \_\_\_\_\_

1. Social issues of the world
2. Economic issues of the world
3. Moral issues of the world
4. Religious issues of the world

**Options :**

- 485584137213. 1
- 485584137214. 2
- 485584137215. 3
- 485584137216. 4

**Question Number : 349 Question Id : 48558434304 Question Type : MCQ Option Shuffling : No Is Question Mandatory : No Calculator : None Response Time : N.A Think Time : N.A Minimum Instruction Time : 0**

**Correct Marks : 5 Wrong Marks : 1**

**Question Key Details :**

Key	Value
Comprehension	Comp2

## ଦିଆଯାଇଥିବା ଅନୁଛେଦଟିକୁ ପଢ଼ି ଓ ନିମ୍ନ ପ୍ରଶ୍ନଗୁଡ଼ିକର ଉତ୍ତର ପ୍ରଦାନ କର:

ଲୋକାମାନଙ୍କର ନୈତିକ କୋଡ଼ ସେମାନଙ୍କ ସାମାଜିକ ଓ ଆଧ୍ୟାତ୍ମିକ ଜୀବନ ଶୈଳୀର ପ୍ରଦର୍ଶକ ବା ନିର୍ଦ୍ଦେଶକ ଅଟେ । ମାନବ ଜୀବନର ପ୍ରକୃତ ତତ୍ତ୍ୱ ହେଉଛି ସଂସାରର ସୁଖ ଦୁଃଖ ନେଇ ବଞ୍ଚିବା । ନୀତି ଶାସ୍ତ୍ର ମୂଳତଃ ପାର୍ଥକ୍ୟ ନୈତିକ ଘଟଣା ସହ ସମ୍ବନ୍ଧିତ ବା ଜଡ଼ିତ । ପ୍ରକୃତ ଧର୍ମ ନୈତିକ ପୁଣ୍ୟ ଉପରେ ଗୁରୁତ୍ୱ ଆରୋପ କରିଥାଏ । ଲୋକମାନେ ନୀତିଶାସ୍ତ୍ରର ନୈତିକ କୋଡ଼ ଅନୁଯାୟୀ ସେମାନଙ୍କର କର୍ତ୍ତବ୍ୟ ନିର୍ବାହ କରିବା ଉଚିତ୍ । ନୀତିବିଜ୍ଞାନର ପ୍ରକୃତ ଜ୍ଞାନ ହାସଲ କରାଯାଇ ପାରିବ ସେତିକିବେଳେ, ଯେତେବେଳେ ଜଣେ ଏହି ନୈତିକ ମୂଲ୍ୟବୋଧକୁ ହୃଦୟଙ୍ଗମ କରିବ । ନୀତିବିଜ୍ଞାନ ବା ଶାସ୍ତ୍ର ଦୁଇ ପ୍ରକାରର ଯଥା ବ୍ୟକ୍ତିଗତ ଓ ସାମାଜିକ । ବ୍ୟକ୍ତିଗତ ନୀତିଶାସ୍ତ୍ର ବ୍ୟକ୍ତିର ଉତ୍ତର ଚରିତ୍ର ଗଠନ ନିମିତ୍ତ ଆବଶ୍ୟକ ଉତ୍ତମ ଗୁଣାବଳୀକୁ ଓ ସୁଖକୁ ନିର୍ଦ୍ଦେଶ କରିଥାଏ । ସାମାଜିକ ନୀତିଶାସ୍ତ୍ର ସମାଜର ପ୍ରଚଳିତ ପଦ୍ଧତିରେ ଶାନ୍ତି ବଜାୟ ରକ୍ଷଣର ମୂଲ୍ୟବୋଧକୁ ପ୍ରତିନିଧିତ୍ୱ କରେ ।

ଭାରତୀୟ ଜ୍ଞାନ ପରମ୍ପରା ଏହାର ଧାର୍ମିକ ଓ ଦାର୍ଶନିକ ଭାବନାରେ ନୀତିଶାସ୍ତ୍ରରେ ପର୍ଯ୍ୟବେଶିତ । ଆବାହମାନ କାଳରୁ ଏଠାରେ ଭିନ୍ନ ଭିନ୍ନ ଧର୍ମବିଶ୍ୱାସ ପ୍ରବାହମାନ । ଭାରତରେ ପ୍ରତ୍ୟେକ ଧାର୍ମିକ ଓ ପ୍ରତ୍ୟେକ ଦାର୍ଶନିକ ପଦ୍ଧତିର ଏକ ଏକ ସମ୍ବନ୍ଧିତ ନୀତି ଉପାଦାନ ରହିଛି । ଏହିସବୁ ପଦ୍ଧତିର କେନ୍ଦ୍ରବିନ୍ଦୁ ହେଉଛି ନୈତିକତା । ପ୍ରତ୍ୟେକ ଧାର୍ମିକ ପରମ୍ପରାରେ ଉତ୍ତମ ବ୍ୟବହାର ଏବଂ ଶାନ୍ତି ଓ ତୃପ୍ତିର ଜୀବନ ନିର୍ବାହ ହେଉଛି ଅତ୍ୟନ୍ତ ଜରୁରୀ ବୋଲି ବିଚାର୍ଯ୍ୟ ।

ପ୍ରାଥମିକତାରେ ନୈତିକ \_\_\_\_\_ ସହ ଜଡ଼ିତ ।

1. ବିଶ୍ୱର ସାମାଜିକ ଘଟଣା
2. ବିଶ୍ୱର ଆର୍ଥିକ ଘଟଣା
3. ବିଶ୍ୱର ନୈତିକ ଘଟଣା
4. ବିଶ୍ୱର ଧାର୍ମିକ ଘଟଣା

### Options :

485584137213. 1  
485584137214. 2  
485584137215. 3  
485584137216. 4

**Question Number : 350 Question Id : 48558434305 Question Type : MCQ Option Shuffling : No Is Question Mandatory : No Calculator : None Response Time : N.A Think Time : N.A Minimum Instruction Time : 0**

**Correct Marks : 5 Wrong Marks : 1**

### Question Key Details :

Key	Value
Comprehension	Comp2

Read the following passage and answer the questions given below:

The moral code of the people is an indicator of their social and spiritual ways of life. The true essence of human life is to live amidst worldly joy and sorrows, Ethics is primarily concerned with the moral issues of the world. True religion lays stress on moral virtues. People are required to discharge their duties according to the moral code of ethics. A true knowledge of ethics would be attained if one practices and imbibes these moral values. Ethics is of two kinds individuals and social. Individual ethics is indicative of the good qualities that are essential for individual well-being of the good qualities that are essential for individual well-being and happiness. Social ethics represents the values that are needed for social order and harmony.

In the knowledge tradition of India ethics has its origin in its religious and philosophical thinking. From time immemorial, various religious faiths have flourished here. Every religious and every philosophical system of India has a prominent ethical component. Ethics is the core of all these systems. In every religious tradition, good moral conduct is considered essential for a happy and contented life.

To maintain social order and harmony what type of ethics play an important role in society?

1. Individual Ethics
2. Social Ethics
3. Political Ethics
4. Legal Ethics

**Options :**

- 485584137217. 1
- 485584137218. 2
- 485584137219. 3
- 485584137220. 4

**Question Number : 350 Question Id : 48558434305 Question Type : MCQ Option Shuffling : No Is Question Mandatory : No Calculator : None Response Time : N.A Think Time : N.A Minimum Instruction Time : 0 Correct Marks : 5 Wrong Marks : 1**

**Question Key Details :**

Key	Value
Comprehension	Comp2

## ଦିଆଯାଇଥିବା ଅନୁଛେଦଟିକୁ ପଢ଼ି ଓ ନିମ୍ନ ପ୍ରଶ୍ନଗୁଡ଼ିକର ଉତ୍ତର ପ୍ରଦାନ କର:

ଲୋକାମାନଙ୍କର ନୈତିକ କୋଡ଼ ସେମାନଙ୍କ ସାମାଜିକ ଓ ଆଧ୍ୟାତ୍ମିକ ଜୀବନ ଶୈଳୀର ପ୍ରଦର୍ଶକ ବା ନିର୍ଦ୍ଦେଶକ ଅଟେ । ମାନବ ଜୀବନର ପ୍ରକୃତ ତତ୍ତ୍ୱ ହେଉଛି ସଂସାରର ସୁଖ ଦୁଃଖ ନେଇ ବଞ୍ଚିବା । ନୀତି ଶାସ୍ତ୍ର ମୂଳତଃ ପାର୍ଥବ ନୈତିକ ଘଟଣା ସହ ସମ୍ବନ୍ଧିତ ବା ଜଡ଼ିତ । ପ୍ରକୃତ ଧର୍ମ ନୈତିକ ପୁଣ୍ୟ ଉପରେ ଗୁରୁତ୍ୱ ଆରୋପ କରିଥାଏ । ଲୋକମାନେ ନୀତିଶାସ୍ତ୍ରର ନୈତିକ କୋଡ଼ ଅନୁଯାୟୀ ସେମାନଙ୍କର କର୍ତ୍ତବ୍ୟ ନିର୍ବାହ କରିବା ଉଚିତ୍ । ନୀତିବିଜ୍ଞାନର ପ୍ରକୃତ ଜ୍ଞାନ ହାସଲ କରାଯାଇ ପାରିବ ସେତିକିବେଳେ, ଯେତେବେଳେ ଜଣେ ଏହି ନୈତିକ ମୂଲ୍ୟବୋଧକୁ ହୃଦୟଙ୍ଗମ କରିବ । ନୀତିବିଜ୍ଞାନ ବା ଶାସ୍ତ୍ର ଦୁଇ ପ୍ରକାରର ଯଥା ବ୍ୟକ୍ତିଗତ ଓ ସାମାଜିକ । ବ୍ୟକ୍ତିଗତ ନୀତିଶାସ୍ତ୍ର ବ୍ୟକ୍ତିର ଉତ୍ତର ଚରିତ୍ର ଗଠନ ନିମିତ୍ତ ଆବଶ୍ୟକ ଉତ୍ତମ ଗୁଣାବଳୀକୁ ଓ ସୁଖକୁ ନିର୍ଦ୍ଦେଶ କରିଥାଏ । ସାମାଜିକ ନୀତିଶାସ୍ତ୍ର ସମାଜର ପ୍ରଚଳିତ ପଦ୍ଧତିରେ ଶାନ୍ତି ବଜାୟ ରକ୍ଷଣର ମୂଲ୍ୟବୋଧକୁ ପ୍ରତିନିଧିତ୍ୱ କରେ ।

ଭାରତୀୟ ଜ୍ଞାନ ପରମ୍ପରା ଏହାର ଧାର୍ମିକ ଓ ଦାର୍ଶନିକ ଭାବନାରେ ନୀତିଶାସ୍ତ୍ରରେ ପର୍ଯ୍ୟବେଶିତ । ଆବାହମାନ କାଳରୁ ଏଠାରେ ଭିନ୍ନ ଭିନ୍ନ ଧର୍ମବିଶ୍ୱାସ ପ୍ରବାହମାନ । ଭାରତରେ ପ୍ରତ୍ୟେକ ଧାର୍ମିକ ଓ ପ୍ରତ୍ୟେକ ଦାର୍ଶନିକ ପଦ୍ଧତିର ଏକ ଏକ ସମ୍ବନ୍ଧିତ ନୀତି ଉପାଦାନ ରହିଛି । ଏହିସବୁ ପଦ୍ଧତିର କେନ୍ଦ୍ରବିନ୍ଦୁ ହେଉଛି ନୈତିକତା । ପ୍ରତ୍ୟେକ ଧାର୍ମିକ ପରମ୍ପରାରେ ଉତ୍ତମ ବ୍ୟବହାର ଏବଂ ଶାନ୍ତି ଓ ତୃପ୍ତିର ଜୀବନ ନିର୍ବାହ ହେଉଛି ଅତ୍ୟନ୍ତ ଜରୁରୀ ବୋଲି ବିଚାର୍ଯ୍ୟ ।

ସାମାଜିକ ସମ୍ବଳନ ବଜାୟ ରଖିବା ପାଇଁ ସମାଜରେ କେଉଁ ପ୍ରକାରର ନୈତିକତା ଗୋଟିଏ ଗୁରୁତ୍ୱପୂର୍ଣ୍ଣ ଭୂମିକା ନିର୍ବାହ କରେ?

1. ବ୍ୟକ୍ତିଗତ ନୈତିକ
2. ସାମାଜିକ ନୈତିକ
3. ରାଜନୈତିକ ନୈତିକ
4. ଆଇନଗତ ନୈତିକ

### Options :

485584137217. 1  
485584137218. 2  
485584137219. 3  
485584137220. 4

## Political Science

Group Number :	12
Group Id :	485584779
Group Maximum Duration :	45
Group Minimum Duration :	45
Show Attended Group? :	No
Edit Attended Group? :	No
Break time :	0
Group Marks :	200
Is this Group for Examiner? :	No
Examiner permission :	Cant View
Show Progress Bar? :	No



## Political Science

**Section Id :** 485584897  
**Section Number :** 1  
**Section type :** Online  
**Mandatory or Optional :** Mandatory  
**Number of Questions :** 50  
**Number of Questions to be attempted :** 40  
**Section Marks :** 200  
**Enable Mark as Answered Mark for Review and Clear Response :** Yes  
**Maximum Instruction Time :** 0  
**Sub-Section Number :** 1  
**Sub-Section Id :** 4855842545  
**Question Shuffling Allowed :** Yes  
**Is Section Default? :** null

**Question Number : 351 Question Id : 48558434356 Question Type : MCQ Option Shuffling : No Is Question Mandatory : No Calculator : None Response Time : N.A Think Time : N.A Minimum Instruction Time : 0**

**Correct Marks : 5 Wrong Marks : 1**

**Question Key Details :**

Key	Value
Comprehension	MCQ

When the constitution was signed?

1. 24 January 1950
2. 26 November 1949
3. 26 January 1950
4. 26 November 1950

**Options :**

485584137421. 1  
485584137422. 2  
485584137423. 3  
485584137424. 4

**Question Number : 352 Question Id : 48558434357 Question Type : MCQ Option Shuffling : No Is Question Mandatory : No Calculator : None Response Time : N.A Think Time : N.A Minimum Instruction Time : 0**

**Correct Marks : 5 Wrong Marks : 1**

**Question Key Details :**

Key	Value
Comprehension	MCQ

Election Commission of India was setup in

1. January 1949
2. January 1950
3. November 1949
4. November 1950

**Options :**

485584137425. 1  
485584137426. 2  
485584137427. 3  
485584137428. 4

**Question Number : 353 Question Id : 48558434358 Question Type : MCQ Option Shuffling : No Is Question Mandatory : No Calculator : None Response Time : N.A Think Time : N.A Minimum Instruction Time : 0**

**Correct Marks : 5 Wrong Marks : 1**

**Question Key Details :**

Key	Value
Comprehension	MCQ

Who was the first Election Commissioner of India.

1. S S Sen
2. Sukumar Sen
3. Kumar Sen
4. S Kumar Sen

**Options :**

485584137429. 1  
485584137430. 2  
485584137431. 3  
485584137432. 4

**Question Number : 354 Question Id : 48558434359 Question Type : MCQ Option Shuffling : No Is Question Mandatory : No Calculator : None Response Time : N.A Think Time : N.A Minimum Instruction Time : 0**

**Correct Marks : 5 Wrong Marks : 1**

**Question Key Details :**

Key	Value
Comprehension	MCQ

Who decided to convert Cuba in to a Russain base in 1962.

1. Nikhil Khurushchev
2. Nikita Khurushchev
3. Neil Khurushchev
4. Nail Khurushchev

**Options :**

485584137433. 1  
485584137434. 2  
485584137435. 3  
485584137436. 4

**Question Number : 355 Question Id : 48558434360 Question Type : MCQ Option Shuffling : No Is Question Mandatory : No Calculator : None Response Time : N.A Think Time : N.A Minimum Instruction Time : 0**

**Correct Marks : 5 Wrong Marks : 1**

**Question Key Details :**

Key	Value
Comprehension	MCQ

The First world War was shaken the world between

1. 1914-1918
2. 1914-1916
3. 1914-1919
4. 1914-1917

**Options :**

485584137437. 1  
485584137438. 2  
485584137439. 3  
485584137440. 4

**Question Number : 356 Question Id : 48558434361 Question Type : MCQ Option Shuffling : No Is Question Mandatory : No Calculator : None Response Time : N.A Think Time : N.A Minimum Instruction Time : 0**

**Correct Marks : 5 Wrong Marks : 1**

**Question Key Details :**

Key	Value
Comprehension	MCQ

United States dropped two atomic bombs on the Japanese cities of Hiroshima and Nagasaki in

1. July 1945
2. August 1945
3. September 1945
4. October 1945

**Options :**

- 485584137441. 1
- 485584137442. 2
- 485584137443. 3
- 485584137444. 4

**Question Number : 357 Question Id : 48558434362 Question Type : MCQ Option Shuffling : No Is Question Mandatory : No Calculator : None Response Time : N.A Think Time : N.A Minimum Instruction Time : 0**

**Correct Marks : 5 Wrong Marks : 1**

**Question Key Details :**

Key	Value
Comprehension	MCQ

North Atlantic Treaty Organisation (NATO) came into existence in

1. March 1949
2. April 1949
3. May 1949
4. June 1949

**Options :**

- 485584137445. 1
- 485584137446. 2
- 485584137447. 3
- 485584137448. 4

**Question Number : 358 Question Id : 48558434363 Question Type : MCQ Option Shuffling : No Is Question Mandatory : No Calculator : None Response Time : N.A Think Time : N.A Minimum Instruction Time : 0**

**Correct Marks : 5 Wrong Marks : 1**

**Question Key Details :**

Key	Value
Comprehension	MCQ

The Eastern alliance, known as the Warsaw Pact, was led by the Soviet Union was created in

1. 1945
2. 1949
3. 1955
4. 1957

**Options :**

- 485584137449. 1
- 485584137450. 2
- 485584137451. 3
- 485584137452. 4

**Question Number : 359 Question Id : 48558434364 Question Type : MCQ Option Shuffling : No Is Question Mandatory : No Calculator : None Response Time : N.A Think Time : N.A Minimum Instruction Time : 0**

**Correct Marks : 5 Wrong Marks : 1**

**Question Key Details :**

Key	Value
Comprehension	MCQ

The First non-aligned summit was held in Belgrade in.

1. 1958
2. 1959
3. 1960
4. 1961

**Options :**

- 485584137453. 1
- 485584137454. 2
- 485584137455. 3
- 485584137456. 4

**Question Number : 360 Question Id : 48558434365 Question Type : MCQ Option Shuffling : No Is Question Mandatory : No Calculator : None Response Time : N.A Think Time : N.A Minimum Instruction Time : 0**

**Correct Marks : 5 Wrong Marks : 1**

**Question Key Details :**

Key	Value
Comprehension	MCQ

Famous speech 'tryst with destiny' is addressed by :-

1. Jawaharlal Nehru
2. Mahatma Gandhi
3. Lal Bahadur Shastri
4. Khan Abdul Gaffar Khan

**Options :**

485584137457. 1  
485584137458. 2  
485584137459. 3  
485584137460. 4

**Question Number : 361 Question Id : 48558434366 Question Type : MCQ Option Shuffling : No Is Question Mandatory : No Calculator : None Response Time : N.A Think Time : N.A Minimum Instruction Time : 0**

**Correct Marks : 5 Wrong Marks : 1**

**Question Key Details :**

Key	Value
Comprehension	MCQ

Who was the Deputy Prime Minister and first home minister of Independent India

1. Raf Ahmad Kidwai
2. Sardar Vallabh Bhai Patel
3. C. Rajgopalachari
4. K. S. Menon

**Options :**

485584137461. 1  
485584137462. 2  
485584137463. 3  
485584137464. 4

**Question Number : 362 Question Id : 48558434367 Question Type : MCQ Option Shuffling : No Is Question Mandatory : No Calculator : None Response Time : N.A Think Time : N.A Minimum Instruction Time : 0**

**Correct Marks : 5 Wrong Marks : 1**

**Question Key Details :**

Key	Value
Comprehension	MCQ

A section of the big industrialists got together in 1944 and drafted a joint proposal for setting up a planned economy in the country it was called \_\_\_\_\_

1. Russian Plan
2. Global Plan
3. Bombay Plan
4. SwissPlan

**Options :**

485584137465. 1  
485584137466. 2  
485584137467. 3  
485584137468. 4

**Question Number : 363 Question Id : 48558434368 Question Type : MCQ Option Shuffling : No Is Question Mandatory : No Calculator : None Response Time : N.A Think Time : N.A Minimum Instruction Time : 0**

**Correct Marks : 5 Wrong Marks : 1**

**Question Key Details :**

Key	Value
Comprehension	MCQ

Name the founder of Indian Stastical Institute

1. K. N. Raj
2. J. C. Kumarappa
3. R. D. Raj
4. P. C. Mahalanobis

**Options :**

485584137469. 1  
485584137470. 2  
485584137471. 3  
485584137472. 4

**Question Number : 364 Question Id : 48558434369 Question Type : MCQ Option Shuffling : No Is Question Mandatory : No Calculator : None Response Time : N.A Think Time : N.A Minimum Instruction Time : 0**

**Correct Marks : 5 Wrong Marks : 1**

**Question Key Details :**

Key	Value
Comprehension	MCQ

Which Article of the Indian constitution lays down some directive principles of State policy on 'Promotion of international peace and security'

1. Article 51
2. Article 52
3. Article 53
4. Article 54

**Options :**

485584137473. 1  
485584137474. 2  
485584137475. 3  
485584137476. 4

**Question Number : 365 Question Id : 48558434370 Question Type : MCQ Option Shuffling : No Is Question Mandatory : No Calculator : None Response Time : N.A Think Time : N.A Minimum Instruction Time : 0**

**Correct Marks : 5 Wrong Marks : 1**

**Question Key Details :**

Key	Value
Comprehension	MCQ

Who is the director of film 'Haqeeqat' (year 1964)

1. Sanjay Khan
2. Balraj Sahni
3. Chetan Anand
4. Jaxant Karvey

**Options :**

485584137477. 1  
485584137478. 2  
485584137479. 3  
485584137480. 4

**Question Number : 366 Question Id : 48558434371 Question Type : MCQ Option Shuffling : No Is Question Mandatory : No Calculator : None Response Time : N.A Think Time : N.A Minimum Instruction Time : 0**

**Correct Marks : 5 Wrong Marks : 1**

**Question Key Details :**

Key	Value
Comprehension	MCQ



Who coined the famous slogan 'Jai Jawan Jai Kisan'

1. Lal Bahadur Sashtri
2. Jawaharlal Nehru
3. Khan Abdul Gaffar
4. Mahatma Gandhi

**Options :**

485584137481. 1  
485584137482. 2  
485584137483. 3  
485584137484. 4

**Question Number : 367 Question Id : 48558434372 Question Type : MCQ Option Shuffling : No Is Question Mandatory : No Calculator : None Response Time : N.A Think Time : N.A Minimum Instruction Time : 0**

**Correct Marks : 5 Wrong Marks : 1**

**Question Key Details :**

Key	Value
Comprehension	MCQ

Who formed DMK as a political party in 1949

1. Ram Manohar Lohia
2. C. Natrajan Annadurai
3. C. Kagle
4. Karpoori Thakur

**Options :**

485584137485. 1  
485584137486. 2  
485584137487. 3  
485584137488. 4

**Question Number : 368 Question Id : 48558434373 Question Type : MCQ Option Shuffling : No Is Question Mandatory : No Calculator : None Response Time : N.A Think Time : N.A Minimum Instruction Time : 0**

**Correct Marks : 5 Wrong Marks : 1**

**Question Key Details :**

Key	Value
Comprehension	MCQ

Under the provision of which Article in Indian constitution government could declare a state of emergency on ground of external threat or internal disturbance.

1. Article 362
2. Article 352
3. Article 372
4. Article 382

**Options :**

- 485584137489. 1
- 485584137490. 2
- 485584137491. 3
- 485584137492. 4

**Question Number : 369 Question Id : 48558434374 Question Type : MCQ Option Shuffling : No Is Question Mandatory : No Calculator : None Response Time : N.A Think Time : N.A Minimum Instruction Time : 0**

**Correct Marks : 5 Wrong Marks : 1**

**Question Key Details :**

Key	Value
Comprehension	MCQ

in which year the Janta Party government appointed a commission of inquiry headed by Justice J. C. Shah.

1. May 1977
2. June 1977
3. July 1977
4. August 1977

**Options :**

- 485584137493. 1
- 485584137494. 2
- 485584137495. 3
- 485584137496. 4

**Question Number : 370 Question Id : 48558434375 Question Type : MCQ Option Shuffling : No Is Question Mandatory : No Calculator : None Response Time : N.A Think Time : N.A Minimum Instruction Time : 0**

**Correct Marks : 5 Wrong Marks : 1**

**Question Key Details :**

Key	Value
Comprehension	MCQ

Dalit Panthers, a militant organisation of the Dalit youth was formed in which state

1. Gujarat
2. Andhra Pradesh
3. Maharashtra
4. Bihar

**Options :**

485584137497. 1  
485584137498. 2  
485584137499. 3  
485584137500. 4

**Question Number : 371 Question Id : 48558434376 Question Type : MCQ Option Shuffling : No Is Question Mandatory : No Calculator : None Response Time : N.A Think Time : N.A Minimum Instruction Time : 0**

**Correct Marks : 5 Wrong Marks : 1**

**Question Key Details :**

Key	Value
Comprehension	MCQ

Write the full form of BKU

1. Bharat Keval Union
2. Bharat Kisan Union
3. Bharat Karma union
4. Bhartiya Kisan United

**Options :**

485584137501. 1  
485584137502. 2  
485584137503. 3  
485584137504. 4

**Question Number : 372 Question Id : 48558434377 Question Type : MCQ Option Shuffling : No Is Question Mandatory : No Calculator : None Response Time : N.A Think Time : N.A Minimum Instruction Time : 0**

**Correct Marks : 5 Wrong Marks : 1**

**Question Key Details :**

Key	Value
Comprehension	MCQ

Turning their back to the  
Sun they prayed through centuries  
Now, now we must refuse  
to be pilgrims of darkness

Who is the author of above poem

1. Eleanor Zelliot
2. Namdeo Dhasal
3. Golpitha
4. Jayanti Karvay

**Options :**

485584137505. 1  
485584137506. 2  
485584137507. 3  
485584137508. 4

**Question Number : 373 Question Id : 48558434378 Question Type : MCQ Option Shuffling : No Is Question Mandatory :  
No Calculator : None Response Time : N.A Think Time : N.A Minimum Instruction Time : 0**

**Correct Marks : 5 Wrong Marks : 1**

**Question Key Details :**

Key	Value
Comprehension	MCQ

The slogan of "Anti Arrack Movement in Andhra Pradesh was

1. Say no to liquor
2. Stop liquor
3. Prohibition on the sale of arrack
4. Stop arrack save lives

**Options :**

485584137509. 1  
485584137510. 2  
485584137511. 3  
485584137512. 4

**Question Number : 374 Question Id : 48558434379 Question Type : MCQ Option Shuffling : No Is Question Mandatory :  
No Calculator : None Response Time : N.A Think Time : N.A Minimum Instruction Time : 0**

**Correct Marks : 5 Wrong Marks : 1**

**Question Key Details :**

Key	Value
Comprehension	MCQ

Who was known as 'Periyar'?

1. E.V. Ramasami Naicker
2. Sheikh Abdulla
3. E.V. Ramanujan
4. E.S. Naiyekar

**Options :**

485584137513. 1  
485584137514. 2  
485584137515. 3  
485584137516. 4

**Question Number : 375 Question Id : 48558434380 Question Type : MCQ Option Shuffling : No Is Question Mandatory : No Calculator : None Response Time : N.A Think Time : N.A Minimum Instruction Time : 0**

**Correct Marks : 5 Wrong Marks : 1**

**Question Key Details :**

Key	Value
Comprehension	MCQ

Write the full form of 'AASU'

1. All Assam Students Union
2. All Assam Samarathak Union
3. All Assam Samman Union
4. All Assam Student united

**Options :**

485584137517. 1  
485584137518. 2  
485584137519. 3  
485584137520. 4

**Question Number : 376 Question Id : 48558434381 Question Type : MCQ Option Shuffling : No Is Question Mandatory : No Calculator : None Response Time : N.A Think Time : N.A Minimum Instruction Time : 0**

**Correct Marks : 5 Wrong Marks : 1**

**Question Key Details :**

Key	Value
Comprehension	MCQ

Who advocated the Charbuja Rajniti

1. Ram Manohar Lohia
2. Ram Thakur
3. Lala Lajpat Rai
4. Atal Bihari Vajpayee

**Options :**

485584137521. 1  
485584137522. 2  
485584137523. 3  
485584137524. 4

**Question Number : 377 Question Id : 48558434382 Question Type : MCQ Option Shuffling : No Is Question Mandatory : No Calculator : None Response Time : N.A Think Time : N.A Minimum Instruction Time : 0**

**Correct Marks : 5 Wrong Marks : 1**

**Question Key Details :**

Key	Value
Comprehension	MCQ

BRIC was formed in which year

1. 2005
2. 2006
3. 2007
4. 2008

**Options :**

485584137525. 1  
485584137526. 2  
485584137527. 3  
485584137528. 4

**Question Number : 378 Question Id : 48558434383 Question Type : MCQ Option Shuffling : No Is Question Mandatory : No Calculator : None Response Time : N.A Think Time : N.A Minimum Instruction Time : 0**

**Correct Marks : 5 Wrong Marks : 1**

**Question Key Details :**

Key	Value
Comprehension	MCQ

Full form of NITI Aayog :

1. National Institution for Transforming India
2. National Institution for Testing India
3. National Institution for Total India
4. national Integration of total India

**Options :**

485584137529. 1  
485584137530. 2  
485584137531. 3  
485584137532. 4

**Question Number : 379 Question Id : 48558434384 Question Type : MCQ Option Shuffling : No Is Question Mandatory : No Calculator : None Response Time : N.A Think Time : N.A Minimum Instruction Time : 0**

**Correct Marks : 5 Wrong Marks : 1**

**Question Key Details :**

Key	Value
Comprehension	MCQ

Match List I with List II

LIST I		LIST II	
A.	IAEA	I.	2006
B.	World Bank	II.	1995
C.	human Rights Council	III.	1957
D.	WTO	IV.	1944

Choose the correct answer from the options given below:

1. A-IV, B-I, C-II, D-III
2. A-I, B-II, C-III, D-IV
3. A-III, B-IV, C-I, D-II
4. A-II, B-III, C-I, D-IV

**Options :**

485584137533. 1  
485584137534. 2  
485584137535. 3  
485584137536. 4

**Question Number : 380 Question Id : 48558434385 Question Type : MCQ Option Shuffling : No Is Question Mandatory : No Calculator : None Response Time : N.A Think Time : N.A Minimum Instruction Time : 0**

**Correct Marks : 5 Wrong Marks : 1**

**Question Key Details :**

Key	Value
-----	-------

Match List I with List II

LIST I		LIST II	
A.	Maulana Abul Kalam	I.	President of Congress Socialist Party
B.	Rajkumari Amrit Kaur	II.	First Education Minister
C.	Acharya Narendra Dev	III.	Political leader from Kerala
D.	A K Gopalan	IV.	First Health Minister

Choose the correct answer from the options given below:

1. A-II, B-I, C-IV, D-III
2. A-I, B-IV, C-III, D-II
3. A-II, B-IV, C-I, D-III
4. A-IV, B-II, C-I, D-III

**Options :**

485584137537. 1  
 485584137538. 2  
 485584137539. 3  
 485584137540. 4

**Question Number : 381 Question Id : 48558434386 Question Type : MCQ Option Shuffling : No Is Question Mandatory : No Calculator : None Response Time : N.A Think Time : N.A Minimum Instruction Time : 0**

**Correct Marks : 5 Wrong Marks : 1**

**Question Key Details :**

Key	Value
Comprehension	MCQ

Choose the wrong statement about Jagjivan Ram from the following options:

1. Member of Parliament since 1952 till his death.
2. Freedom fighter and Congress leader from Bihar
3. Finance Minister in the first Ministry of free India
4. Deputy Prime Minister of India (1977-1979)

**Options :**

485584137541. 1  
 485584137542. 2  
 485584137543. 3  
 485584137544. 4

**Question Number : 382 Question Id : 48558434387 Question Type : MCQ Option Shuffling : No Is Question Mandatory : No Calculator : None Response Time : N.A Think Time : N.A Minimum Instruction Time : 0**

**Correct Marks : 5 Wrong Marks : 1**

**Question Key Details :**



Key	Value
Comprehension	MCQ

Arrange the following Prime Ministers in chronological order of their tenure.

- A. Narendra Modi
- B. Chandra Shekhar
- C. V. P. Singh
- D. P. V. Narsimha Rao
- E. Manmohan Singh

Choose the most appropriate answer from the options given below:

- 1. C, B, D, E, A only
- 2. B, C, D, E, A only
- 3. D, B, C, E, A only
- 4. C, D, B, E, A only

**Options :**

- 485584137545. 1
- 485584137546. 2
- 485584137547. 3
- 485584137548. 4

**Question Number : 383 Question Id : 48558434388 Question Type : MCQ Option Shuffling : No Is Question Mandatory : No Calculator : None Response Time : N.A Think Time : N.A Minimum Instruction Time : 0**

**Correct Marks : 5 Wrong Marks : 1**

**Question Key Details :**

Key	Value
Comprehension	MCQ

UNHCR stands for-

- 1. The United Nations High Commission For Refugees.
- 2. The United National High Commission For Refugees.
- 3. The United Nations High Commission for Refugees.
- 4. The United Nations Health Commission for Refugees.

**Options :**

- 485584137549. 1
- 485584137550. 2
- 485584137551. 3
- 485584137552. 4

**Question Number : 384 Question Id : 48558434389 Question Type : MCQ Option Shuffling : No Is Question Mandatory : No Calculator : None Response Time : N.A Think Time : N.A Minimum Instruction Time : 0**

**Correct Marks : 5 Wrong Marks : 1**

**Question Key Details :**

Key	Value
-----	-------

Who announced the formation of a separate Andhra state in December 1952

1. First Deputy Prime Minister of an independent India
2. First Home Minister of an independent India
3. Chief Minister of Madras
4. First Prime Minister of an independent India

**Options :**

485584137553. 1  
 485584137554. 2  
 485584137555. 3  
 485584137556. 4

**Question Number : 385 Question Id : 48558434390 Question Type : MCQ Option Shuffling : No Is Question Mandatory : No Calculator : None Response Time : N.A Think Time : N.A Minimum Instruction Time : 0**

**Correct Marks : 5 Wrong Marks : 1**

**Question Key Details :**

Key	Value
Comprehension	MCQ

- A. The green revolution resulted in the rise of what is called the middle peasant sections.
- B. After green revolution Uttar Pradesh, Bihar and Madhya Pradesh became agriculturally prosperous.
- C. The green revolution delivered only a moderate agriculture growth and raised the availability of food in the country.
- D. In 1982 the rural development programme called operation flood was started.

Choose the correct answer from the options given below:

1. A and C only
2. A and D only
3. C and D only
4. B and C only

**Options :**

485584137557. 1  
 485584137558. 2  
 485584137559. 3  
 485584137560. 4

**Question Number : 386 Question Id : 48558434391 Question Type : MCQ Option Shuffling : No Is Question Mandatory : No Calculator : None Response Time : N.A Think Time : N.A Minimum Instruction Time : 0**

**Correct Marks : 5 Wrong Marks : 1**

**Question Key Details :**

Key	Value
Comprehension	MCQ

When did the Government of India replaced the Planning Commission with a new institution named "NITI Ayog"

1. 1 January 2014
2. 1 January 2016
3. 1 January 2019
4. 1 January 2015

**Options :**

485584137561. 1  
485584137562. 2  
485584137563. 3  
485584137564. 4

**Question Number : 387 Question Id : 48558434392 Question Type : MCQ Option Shuffling : No Is Question Mandatory : No Calculator : None Response Time : N.A Think Time : N.A Minimum Instruction Time : 0**

**Correct Marks : 5 Wrong Marks : 1**

**Question Key Details :**

Key	Value
Comprehension	MCQ

The idea of Planning in India was drawn from:-

- A. The Bombay Plan
- B. Experiences of the Soviet bloc countries
- C. Gandhian vision of Society
- D. Demand by Peasant Organisation
- E. Self Sufficiency

Choose the correct answer from the options given below:

1. B and D only
2. D and C only
3. A and B only
4. A only

**Options :**

485584137565. 1  
485584137566. 2  
485584137567. 3  
485584137568. 4

**Question Number : 388 Question Id : 48558434393 Question Type : MCQ Option Shuffling : No Is Question Mandatory : No Calculator : None Response Time : N.A Think Time : N.A Minimum Instruction Time : 0**

**Correct Marks : 5 Wrong Marks : 1**

**Question Key Details :**

Key	Value
Comprehension	MCQ

What led to the era of coalition government at the centre after 1989:

1. Due to rise of communist party.
2. Weaking of the congress system.
3. Due to death of Rajiv Gandhi
4. Due to implementation of recommendation by Mandal Commission

**Options :**

485584137569. 1  
485584137570. 2  
485584137571. 3  
485584137572. 4

**Question Number : 389 Question Id : 48558434394 Question Type : MCQ Option Shuffling : No Is Question Mandatory : No Calculator : None Response Time : N.A Think Time : N.A Minimum Instruction Time : 0**

**Correct Marks : 5 Wrong Marks : 1**

**Question Key Details :**

Key	Value
Comprehension	MCQ

Match List I with List II

LIST I Incident		LIST II Year	
A.	Formation of NATO	I.	1947
B.	Cuban Missile Crisis	II.	1956
C.	Truman's Doctrine	III.	1949
D.	Soviet intervention in Hungry	IV.	1962

Choose the correct answer from the options given below:

1. A-III, B-IV, C-II, D-I
2. A-III, B-IV, C-I, D-II
3. A-I, B-II, C-III, D-IV
4. A-II, B-I, C-III, D-IV

**Options :**

485584137573. 1  
485584137574. 2  
485584137575. 3  
485584137576. 4

**Question Number : 390 Question Id : 48558434395 Question Type : MCQ Option Shuffling : No Is Question Mandatory : No Calculator : None Response Time : N.A Think Time : N.A Minimum Instruction Time : 0**

**Correct Marks : 5 Wrong Marks : 1**

**Question Key Details :**

Key	Value
Comprehension	MCQ

Which of the Given leader is not the founding Member of NAM?

1. Josip Broz Tito
2. Jawaharlal Nehru
3. Indira Gandhi
4. Sukarno

**Options :**

485584137577. 1  
485584137578. 2  
485584137579. 3  
485584137580. 4

**Sub-Section Number :** 2  
**Sub-Section Id :** 4855842546  
**Question Shuffling Allowed :** No  
**Is Section Default? :** null

**Question Number : 391 Question Id : 48558434396 Question Type : MCQ Option Shuffling : No Is Question Mandatory : No Calculator : None Response Time : N.A Think Time : N.A Minimum Instruction Time : 0**

**Correct Marks : 5 Wrong Marks : 1**

**Question Key Details :**

Key	Value
Comprehension	Comp1

Read the passage given below to answer

In spite of the many conflicts, the states of South Asia recognize the importance of cooperation and friendly relationship among themselves. The South Asian association for regional Cooperation (SAARC) is a major regional initiative by the South Asian states to evolve cooperation through multilateral means. It began in 1985. Unfortunately, due to persisting political differences, SAARC has not had much success. SAARC members signed the South Asian Free Trade (SAFTA) agreement which promised the formation of a free trade zone for the whole of South Asia.

The SAFTA agreement was signed in 2004 and came into effect on 1 January 2006. India thinks that there are real economic benefits for all SAFTA. Some in India think that SAFTA is not worth the trouble since India already has bilateral agreements with Bhutan, Nepal and Sri Lanka.

What statement is correct about SAARC

1. SAARC began in 1986
2. SAARC is an association of East Asian Nations
3. SAARC members signed South Asian Free Trade (SAFTA) Agreement
4. SAARC is a highly successful regional organisation

**Options :**

485584137581. 1  
485584137582. 2  
485584137583. 3  
485584137584. 4

**Question Number : 392 Question Id : 48558434397 Question Type : MCQ Option Shuffling : No Is Question Mandatory : No Calculator : None Response Time : N.A Think Time : N.A Minimum Instruction Time : 0**

**Correct Marks : 5 Wrong Marks : 1**

**Question Key Details :**

Key	Value
Comprehension	Comp1

Read the passage given below to answer

In spite of the many conflicts, the states of South Asia recognize the importance of cooperation and friendly relationship among themselves. The South Asian association for regional Cooperation (SAARC) is a major regional initiative by the South Asian states to evolve cooperation through multilateral means. It began in 1985. Unfortunately, due to persisting political differences, SAARC has not had much success. SAARC members signed the South Asian Free Trade (SAFTA) agreement which promised the formation of a free trade zone for the whole of South Asia.

The SAFTA agreement was signed in 2004 and came into effect on 1 January 2006. India thinks that there are real economic benefits for all SAFTA. Some in India think that SAFTA is not worth the trouble since India already has bilateral agreements with Bhutan, Nepal and Shri Lanka.

State the years correctly when the agreement SAFTA was signed and came into effect:-

1. 2006 and 2007
2. 2004 and 2005
3. 2004 and 2006
4. 2008 and 2009

**Options :**

485584137585. 1  
485584137586. 2  
485584137587. 3  
485584137588. 4

**Question Number : 393 Question Id : 48558434398 Question Type : MCQ Option Shuffling : No Is Question Mandatory : No Calculator : None Response Time : N.A Think Time : N.A Minimum Instruction Time : 0**

**Correct Marks : 5 Wrong Marks : 1**

**Question Key Details :**

Key	Value
Comprehension	Comp1

Read the passage given below to answer

In spite of the many conflicts, the states of South Asia recognize the importance of cooperation and friendly relationship among themselves. The South Asian association for regional Cooperation (SAARC) is a major regional initiative by the South Asian states to evolve cooperation through multilateral means. It began in 1985. Unfortunately, due to persisting political differences, SAARC has not had much success. SAARC members signed the South Asian Free Trade (SAFTA) agreement which promised the formation of a free trade zone for the whole of South Asia.

The SAFTA agreement was signed in 2004 and came into effect on 1 January 2006. India thinks that there are real economic benefits for all SAFTA. Some in India think that SAFTA is not worth the trouble since India already has bilateral agreements with Bhutan, Nepal and Shri Lanka.

Complete the following:

SAARC has been evolved for cooperation through which of the following means

1. Multilateral
2. Bilateral
3. Unilateral
4. Tripartite

**Options :**

- 485584137589. 1
- 485584137590. 2
- 485584137591. 3
- 485584137592. 4

**Question Number : 394 Question Id : 48558434399 Question Type : MCQ Option Shuffling : No Is Question Mandatory : No Calculator : None Response Time : N.A Think Time : N.A Minimum Instruction Time : 0**

**Correct Marks : 5 Wrong Marks : 1**

**Question Key Details :**

Key	Value
Comprehension	Comp1

Read the passage given below to answer

In spite of the many conflicts, the states of South Asia recognize the importance of cooperation and friendly relationship among themselves. The South Asian association for regional Cooperation (SAARC) is a major regional initiative by the South Asian states to evolve cooperation through multilateral means. It began in 1985. Unfortunately, due to persisting political differences, SAARC has not had much success. SAARC members signed the South Asian Free Trade (SAFTA) agreement which promised the formation of a free trade zone for the whole of South Asia.

The SAFTA agreement was signed in 2004 and came into effect on 1 January 2006. India thinks that there are real economic benefits for all SAFTA. Some in India think that SAFTA is not worth the trouble since India already has bilateral agreements with Bhutan, Nepal and Shri Lanka.

The full form of SAARC is

1. South Asian Amalgamation for Regional Cooperation
2. South Asian Association for Regional Cooperation
3. South African Association for Regional Cooperation
4. South Asian Association for Research and Cooperation

**Options :**

485584137593. 1  
485584137594. 2  
485584137595. 3  
485584137596. 4

**Question Number : 395 Question Id : 48558434400 Question Type : MCQ Option Shuffling : No Is Question Mandatory : No Calculator : None Response Time : N.A Think Time : N.A Minimum Instruction Time : 0**

**Correct Marks : 5 Wrong Marks : 1**

**Question Key Details :**

Key	Value
Comprehension	Comp1

Read the passage given below to answer

In spite of the many conflicts, the states of South Asia recognize the importance of cooperation and friendly relationship among themselves. The South Asian association for regional Cooperation (SAARC) is a major regional initiative by the South Asian states to evolve cooperation through multilateral means. It began in 1985. Unfortunately, due to persisting political differences, SAARC has not had much success. SAARC members signed the South Asian Free Trade (SAFTA) agreement which promised the formation of a free trade zone for the whole of South Asia.

The SAFTA agreement was signed in 2004 and came into effect on 1 January 2006. India thinks that there are real economic benefits for all SAFTA. Some in India think that SAFTA is not worth the trouble since India already has bilateral agreements with Bhutan, Nepal and Shri Lanka.

The following agreement promised the formation of a free trade zone for the whole of South Asia

1. WTO
2. BAFTA
3. SAARC
4. SAFTA

**Options :**

485584137597. 1  
485584137598. 2  
485584137599. 3  
485584137600. 4

**Sub-Section Number :**

3

**Sub-Section Id :**

4855842547



**Question Shuffling Allowed :**

No

**Is Section Default? :**

null

**Question Number : 396 Question Id : 48558434401 Question Type : MCQ Option Shuffling : No Is Question Mandatory : No Calculator : None Response Time : N.A Think Time : N.A Minimum Instruction Time : 0**

**Correct Marks : 5 Wrong Marks : 1**

**Question Key Details :**

Key	Value
Comprehension	Comp2

Globalisation is a multi-dimensional concept. It has political, economic and cultural manifestations, and these must be adequately distinguished. The impact of globalisation is vastly uneven. It affects some societies more than others. It is important to avoid drawing general conclusions about the impact of globalisation without paying sufficient attention to specific contexts. Globalisation as a concept fundamentally deals with flows. These flows could be of various kinds- ideas moving from one part of the world to another, capital shunted between two or more places, commodities being traded across borders, and people moving in search of better livelihoods to different parts of the world.

Globalisation is a most dimensional concept because it deals with:

1. Political, economic, cultural etc aspects.
2. Democratic countries only
3. Economic Aspect
4. MNC's

**Options :**

485584137601. 1

485584137602. 2

485584137603. 3

485584137604. 4

**Question Number : 397 Question Id : 48558434402 Question Type : MCQ Option Shuffling : No Is Question Mandatory : No Calculator : None Response Time : N.A Think Time : N.A Minimum Instruction Time : 0**

**Correct Marks : 5 Wrong Marks : 1**

**Question Key Details :**

Key	Value
Comprehension	Comp2

Globalisation is a multi-dimensional concept. It has political, economic and cultural manifestations, and these must be adequately distinguished. The impact of globalisation is vastly uneven. It affects some societies more than others. It is important to avoid drawing general conclusions about the impact of globalisation without paying sufficient attention to specific contexts. Globalisation as a concept fundamentally deals with flows. These flows could be of various kinds- ideas moving from one part of the world to another, capital shunted between two or more places, commodities being traded across borders, and people moving in search of better livelihoods to different parts of the world.

It is important to avoid a general conclusion about Globalisation because:-

1. It's impact will vary due to different contexts.
2. There are different winds of Globalisation.
3. It is not a world-wide phenomenon.
4. Only the developed world is involved.

**Options :**

- 485584137605. 1
- 485584137606. 2
- 485584137607. 3
- 485584137608. 4

**Question Number : 398 Question Id : 48558434403 Question Type : MCQ Option Shuffling : No Is Question Mandatory : No Calculator : None Response Time : N.A Think Time : N.A Minimum Instruction Time : 0**

**Correct Marks : 5 Wrong Marks : 1**

**Question Key Details :**

Key	Value
Comprehension	Comp2

Globalisation is a multi-dimensional concept. It has political, economic and cultural manifestations, and these must be adequately distinguished. The impact of globalisation is vastly uneven. It affects some societies more than others. It is important to avoid drawing general conclusions about the impact of globalisation without paying sufficient attention to specific contexts. Globalisation as a concept fundamentally deals with flows. These flows could be of various kinds- ideas moving from one part of the world to another, capital shunted between two or more places, commodities being traded across borders, and people moving in search of better livelihoods to different parts of the world.

The process of Globalisation

- A. affects almost every society.
- B. involves flow of various kinds.
- C. Does not deal with Individual.
- D. Wherein commodities cannot be traded across borders.
- E. impact varies on the basis of context.

Choose the correct answer from the options given below:

1. A, B, C only
2. A, B, E only
3. B, C, E only
4. A, D, E only

**Options :**

- 485584137609. 1
- 485584137610. 2
- 485584137611. 3

**Question Number : 399 Question Id : 48558434404 Question Type : MCQ Option Shuffling : No Is Question Mandatory : No Calculator : None Response Time : N.A Think Time : N.A Minimum Instruction Time : 0**

**Correct Marks : 5 Wrong Marks : 1**

**Question Key Details :**

Key	Value
Comprehension	Comp2

Globalisation is a multi-dimensional concept. It has political, economic and cultural manifestations, and these must be adequately distinguished. The impact of globalisation is vastly uneven. It affects some societies more than others. It is important to avoid drawing general conclusions about the impact of globalisation without paying sufficient attention to specific contexts. Globalisation as a concept fundamentally deals with flows. These flows could be of various kinds- ideas moving from one part of the world to another, capital shunted between two or more places, commodities being traded across borders, and people moving in search of better livelihoods to different parts of the world.

- A. Due to Globalisation, the states become borderless.
- B. Due to Globalisation, the borders have become blurred.
- C. Due to Globalisation, borders doesn't get affected.
- D. Due to Globalisation, there is flow commodities and goods.
- E. Due to Globalisation, there is flow capital and people.

Choose the correct answer from the options given below:

- 1. A, B, D, E only
- 2. A, B, C, D only
- 3. B, C, D, E only
- 4. A, C, D, E only

**Options :**

- 485584137613. 1
- 485584137614. 2
- 485584137615. 3
- 485584137616. 4

**Question Number : 400 Question Id : 48558434405 Question Type : MCQ Option Shuffling : No Is Question Mandatory : No Calculator : None Response Time : N.A Think Time : N.A Minimum Instruction Time : 0**

**Correct Marks : 5 Wrong Marks : 1**

**Question Key Details :**

Key	Value
Comprehension	Comp2

Globalisation is a multi-dimensional concept. It has political, economic and cultural manifestations, and these must be adequately distinguished. The impact of globalisation is vastly uneven. It affects some societies more than others. It is important to avoid drawing general conclusions about the impact of globalisation without paying sufficient attention to specific contexts. Globalisation as a concept fundamentally deals with flows. These flows could be of various kinds- ideas moving from one part of the world to another, capital shunted between two or more places, commodities being traded across borders, and people moving in search of better livelihoods to different parts of the world.

Choose the incorrect from the following:-

1. World Bank is an international organisation.
2. World Bank provides loan to member-countries as well as non-member countries.
3. World Bank influences the economic policy of the developing countries.
4. World Bank works for human development, agriculture and rural development, environment protection, governance, to name a few.

**Options :**

485584137617. 1  
485584137618. 2  
485584137619. 3  
485584137620. 4

## Sanskrit Lang

Group Number :	13
Group Id :	485584780
Group Maximum Duration :	45
Group Minimum Duration :	45
Show Attended Group? :	No
Edit Attended Group? :	No
Break time :	0
Group Marks :	200
Is this Group for Examiner? :	No
Examiner permission :	Can't View
Show Progress Bar? :	No

## Sanskrit Lang

Section Id :	485584898
Section Number :	1
Section type :	Online
Mandatory or Optional :	Mandatory
Number of Questions :	50
Number of Questions to be attempted :	40
Section Marks :	200
Enable Mark as Answered Mark for Review and Clear Response :	Yes
Maximum Instruction Time :	0
Sub-Section Number :	1

**Sub-Section Id :** 4855842548  
**Question Shuffling Allowed :** No  
**Is Section Default? :** null  
**Sub-Section Number :** 2  
**Sub-Section Id :** 4855842549  
**Question Shuffling Allowed :** No  
**Is Section Default? :** null  
**Sub-Section Number :** 3  
**Sub-Section Id :** 4855842550  
**Question Shuffling Allowed :** No  
**Is Section Default? :** null  
**Sub-Section Number :** 4  
**Sub-Section Id :** 4855842551  
**Question Shuffling Allowed :** Yes  
**Is Section Default? :** null

## Sociology

**Group Number :** 14  
**Group Id :** 485584781  
**Group Maximum Duration :** 45  
**Group Minimum Duration :** 45  
**Show Attended Group? :** No  
**Edit Attended Group? :** No  
**Break time :** 0  
**Group Marks :** 200  
**Is this Group for Examiner? :** No  
**Examiner permission :** Cant View  
**Show Progress Bar? :** No

## Sociology

**Section Id :** 485584899  
**Section Number :** 1  
**Section type :** Online  
**Mandatory or Optional :** Mandatory  
**Number of Questions :** 50  
**Number of Questions to be attempted :** 40  
**Section Marks :** 200  
**Enable Mark as Answered Mark for Review and Clear Response :** Yes  
**Maximum Instruction Time :** 0  
**Sub-Section Number :** 1  
**Sub-Section Id :** 4855842552  
**Question Shuffling Allowed :** Yes  
**Is Section Default? :** null

**Question Number : 401 Question Id : 48558434506 Question Type : MCQ Option Shuffling : No Is Question Mandatory : No Calculator : None Response Time : N.A Think Time : N.A Minimum Instruction Time : 0**

**Correct Marks : 5 Wrong Marks : 1**

**Question Key Details :**

Key	Value
-----	-------

Comprehension	MCQ
---------------	-----

Wrights milla is a well known:

1. French sociologist
2. American sociologist
3. German sociologist
4. British sociologist

**Options :**

- 485584138021. 1
- 485584138022. 2
- 485584138023. 3
- 485584138024. 4

**Question Number : 402 Question Id : 48558434507 Question Type : MCQ Option Shuffling : No Is Question Mandatory : No Calculator : None Response Time : N.A Think Time : N.A Minimum Instruction Time : 0**

**Correct Marks : 5 Wrong Marks : 1**

**Question Key Details :**

Key	Value
Comprehension	MCQ

The concept of 'failure of entitlements has been given by:

1. Amartya Sen
2. Emile Durkheim
3. Abhijit Banerjee
4. Thomas Robert Malthus

**Options :**

- 485584138025. 1
- 485584138026. 2
- 485584138027. 3
- 485584138028. 4

**Question Number : 403 Question Id : 48558434508 Question Type : MCQ Option Shuffling : No Is Question Mandatory : No Calculator : None Response Time : N.A Think Time : N.A Minimum Instruction Time : 0**

**Correct Marks : 5 Wrong Marks : 1**

**Question Key Details :**

Key	Value
Comprehension	MCQ

A systematic study of population is called

1. Polygraphy
2. Sesmiography
3. Oceanography
4. Demography

**Options :**

485584138029. 1  
485584138030. 2  
485584138031. 3  
485584138032. 4

**Question Number : 404 Question Id : 48558434509 Question Type : MCQ Option Shuffling : No Is Question Mandatory : No Calculator : None Response Time : N.A Think Time : N.A Minimum Instruction Time : 0**

**Correct Marks : 5 Wrong Marks : 1**

**Question Key Details :**

Key	Value
Comprehension	MCQ

Match List I with List II

LIST I		LIST II	
A.	Population momentum	I.	Voluntary action to reduce population growth
B.	Demographic Divident	II.	Large cohort of women at reproduct age
C.	Population pyramid	III.	Group data in term of gender and age
D.	Preventive check	IV.	Higher population of workers compared to non-workers

Choose the correct answer from the options given below:

1. A-III, B-I, C-IV, D-II
2. A-II, B-IV, C-III, D-I
3. A-I, B-III, C-II, D-IV
4. A-IV, B-II, C-I, D-III

**Options :**

485584138033. 1  
485584138034. 2  
485584138035. 3  
485584138036. 4

**Question Number : 405 Question Id : 48558434510 Question Type : MCQ Option Shuffling : No Is Question Mandatory : No Calculator : None Response Time : N.A Think Time : N.A Minimum Instruction Time : 0**

Correct Marks : 5 Wrong Marks : 1

Question Key Details :

Key	Value
Comprehension	MCQ

Match List I with List II

LIST I		LIST II	
A.	Welth of Nation	I.	Mask Weber
B.	Capitalism	II.	Alfred Gell
C.	Status symbol	III.	Adam Smith
D.	Heirarchial social group	IV.	Karl Mark

Choose the correct answer from the options given below:

1. A-III, B-I, C-II, D-IV
2. A-III, B-II, C-I, D-IV
3. A-III, B-IV, C-I, D-II
4. A-III, B-I, C-IV, D-II

Options :

- 485584138037. 1
- 485584138038. 2
- 485584138039. 3
- 485584138040. 4

Question Number : 406 Question Id : 48558434511 Question Type : MCQ Option Shuffling : No Is Question Mandatory : No Calculator : None Response Time : N.A Think Time : N.A Minimum Instruction Time : 0

Correct Marks : 5 Wrong Marks : 1

Question Key Details :

Key	Value
Comprehension	MCQ

The criteria for inclusion in civil society is that the organisation should lie:

1. Commercial
2. State controlled
3. Non-State controlled
4. Profit making

Options :

- 485584138041. 1
- 485584138042. 2
- 485584138043. 3
- 485584138044. 4



**Question Number : 407 Question Id : 48558434512 Question Type : MCQ Option Shuffling : No Is Question Mandatory : No Calculator : None Response Time : N.A Think Time : N.A Minimum Instruction Time : 0**

**Correct Marks : 5 Wrong Marks : 1**

**Question Key Details :**

Key	Value
Comprehension	MCQ

Match List I with List II

LIST I		LIST II	
A.	Kaka Kalelkar commission	I.	1990
B.	Brahmo Samaj	II.	1828
C.	Karachi session of Indian National Congress	III.	1953
D.	B.P.Mandal commission	IV.	1931

Choose the correct answer from the options given below:

1. A-III, B-II, C-IV, D-I
2. A-IV, B-III, C-II, D-I
3. A-II, B-III, C-I, D-IV
4. A-I, B-II, C-III, D-IV

**Options :**

- 485584138045. 1
- 485584138046. 2
- 485584138047. 3
- 485584138048. 4

**Question Number : 408 Question Id : 48558434513 Question Type : MCQ Option Shuffling : No Is Question Mandatory : No Calculator : None Response Time : N.A Think Time : N.A Minimum Instruction Time : 0**

**Correct Marks : 5 Wrong Marks : 1**

**Question Key Details :**

Key	Value
Comprehension	MCQ

Arrange the following statement in correct sequence of events

- A. Effort to re-organise into Ethnic-Linguistic states
- B. Indian state continued with British-Indian arrangement of presidency
- C. Vigorous movements among Maratha and Kannada speakers in Bombay and Madras presidencies
- D. Pakistan was divided between Urdu and Punjabi speakers in the west and Bengali speakers in the east
- E. Formation of SRC for final approval on Linguistic states

Choose the correct answer from the option given below:

- 1. A, B, E, C, D
- 2. B, A, C, E, D
- 3. B, C, A, E, D
- 4. A, D, C, E, B

**Options :**

- 485584138049. 1
- 485584138050. 2
- 485584138051. 3
- 485584138052. 4

**Question Number : 409 Question Id : 48558434514 Question Type : MCQ Option Shuffling : No Is Question Mandatory : No Calculator : None Response Time : N.A Think Time : N.A Minimum Instruction Time : 0**

**Correct Marks : 5 Wrong Marks : 1**

**Question Key Details :**

Key	Value
Comprehension	MCQ

The most infamous pandemic was 'Spanish flue'which occurred in the year-

- 1. 2020
- 2. 1957
- 3. 1918
- 4. 1947\

**Options :**

- 485584138053. 1
- 485584138054. 2
- 485584138055. 3
- 485584138056. 4

**Question Number : 410 Question Id : 48558434515 Question Type : MCQ Option Shuffling : No Is Question Mandatory : No Calculator : None Response Time : N.A Think Time : N.A Minimum Instruction Time : 0**

**Correct Marks : 5 Wrong Marks : 1**

**Question Key Details :**

Key	Value
Comprehension	MCQ

Which article of the constitution of India states the following

"No citizen shall be denied admission into any educational institution, maintained by the state or received out of state funds on grounds only of religion, race, caste, language or any of them"

1. Article 29(1)
2. Article 29(2)
3. Article 30(1)
4. Article 30(2)

**Options :**

- 485584138057. 1
- 485584138058. 2
- 485584138059. 3
- 485584138060. 4

**Question Number : 411 Question Id : 48558434516 Question Type : MCQ Option Shuffling : No Is Question Mandatory : No Calculator : None Response Time : N.A Think Time : N.A Minimum Instruction Time : 0**

**Correct Marks : 5 Wrong Marks : 1**

**Question Key Details :**

Key	Value
Comprehension	MCQ

Who considered exclusive nationalism to be an evil?

1. J.Nehru
2. R. Tagor
3. B.R. Ambedkar
4. Bhagat Singh

**Options :**

- 485584138061. 1
- 485584138062. 2
- 485584138063. 3
- 485584138064. 4

**Question Number : 412 Question Id : 48558434517 Question Type : MCQ Option Shuffling : No Is Question Mandatory : No Calculator : None Response Time : N.A Think Time : N.A Minimum Instruction Time : 0**

**Correct Marks : 5 Wrong Marks : 1**

**Question Key Details :**

Key	Value
Comprehension	MCQ

Match List I with List II

LIST I		LIST II	
A.	Zamindari System	I.	Benami transfer
B.	Rayatwari System	II.	Radical restructuring of agrarian structure in Kerala+Bengal
C.	Tenancy abolition and regulation	III.	Less burden of taxation, more proporsion
D.	Land Ceiling	IV.	Agricultural product stagnated/deliver

Choose the correct answer from the options given below:

1. A-III, B-I, C-IV, D-II
2. A-IV, B-II, C-I, D-III
3. A-I, B-II, C-III, D-IV
4. A-IV, B-III, C-II, D-I

**Options :**

485584138065. 1  
485584138066. 2  
485584138067. 3  
485584138068. 4

**Question Number : 413 Question Id : 48558434518 Question Type : MCQ Option Shuffling : No Is Question Mandatory : No Calculator : None Response Time : N.A Think Time : N.A Minimum Instruction Time : 0**

**Correct Marks : 5 Wrong Marks : 1**

**Question Key Details :**

Key	Value
Comprehension	MCQ

Strike out incorrect statement about Panchayati Raj:-

1. Panchayati Raj translates to "Governance by five individuals"
2. At the base of the structure stands "Gram Sabha"
3. The 74<sup>th</sup> Amanedment provided a three-tier system of Panchayati Raj
4. Election to these bodies are conducted every five years.

**Options :**

485584138069. 1  
485584138070. 2  
485584138071. 3  
485584138072. 4

**Question Number : 414 Question Id : 48558434519 Question Type : MCQ Option Shuffling : No Is Question Mandatory : No Calculator : None Response Time : N.A Think Time : N.A Minimum Instruction Time : 0**

**Correct Marks : 5 Wrong Marks : 1**

**Question Key Details :**

Key	Value
Comprehension	MCQ

Read the statements given below and choose the option with the correct sequence of events:

- A. Green revolution introduced in the dry and the semi-arid regions of India 2<sup>nd</sup> phase
- B. New technology introduced
- C. Displacement of service caste groups.
- D. Increasing Commercialisation

Choose the correct answer from the option given below:

- 1. A, B, C, D
- 2. B, C, A, D
- 3. D, C, A, B
- 4. B, C, D, A

**Options :**

- 485584138073. 1
- 485584138074. 2
- 485584138075. 3
- 485584138076. 4

**Question Number : 415 Question Id : 48558434520 Question Type : MCQ Option Shuffling : No Is Question Mandatory : No Calculator : None Response Time : N.A Think Time : N.A Minimum Instruction Time : 0**

**Correct Marks : 5 Wrong Marks : 1**

**Question Key Details :**

Key	Value
Comprehension	MCQ

Extended working hours are Legitimesed by the common management, Which in theory, gives the employee freedom to choose his/her working hours. Give the common nomenclature of this process.

- 1. Own-Time
- 2. Flexi-Time
- 3. Me-Time
- 4. Work-From-Home-Time

**Options :**

- 485584138077. 1
- 485584138078. 2
- 485584138079. 3
- 485584138080. 4

**Question Number : 416 Question Id : 48558434521 Question Type : MCQ Option Shuffling : No Is Question Mandatory : No Calculator : None Response Time : N.A Think Time : N.A Minimum Instruction Time : 0**

**Correct Marks : 5 Wrong Marks : 1**

**Question Key Details :**

Key	Value
Comprehension	MCQ

Disinvestment means:

1. Svaging in the bank
2. Privatisation of public sector or Government companies
3. Open market for global citizens
4. Acquiring small and medium industries

**Options :**

- 485584138081. 1
- 485584138082. 2
- 485584138083. 3
- 485584138084. 4

**Question Number : 417 Question Id : 48558434522 Question Type : MCQ Option Shuffling : No Is Question Mandatory : No Calculator : None Response Time : N.A Think Time : N.A Minimum Instruction Time : 0**

**Correct Marks : 5 Wrong Marks : 1**

**Question Key Details :**

Key	Value
Comprehension	MCQ

Arrange the following process in chronological order:

- A. Manufacturer branding and selling
- B. Workers rolling the leaves
- C. Plucking of tendu leaves
- D. Selling tendu leaves by contractor to government
- E. Auctions leaves of factory owners

Choose the correct answer from the options given below:

1. C, D, E, B, A
2. C, D, E, A, B
3. C, D, B, A, E
4. C, D, A, E, B

**Options :**

- 485584138085. 1
- 485584138086. 2
- 485584138087. 3
- 485584138088. 4

Question Number : 418 Question Id : 48558434523 Question Type : MCQ Option Shuffling : No Is Question Mandatory : No Calculator : None Response Time : N.A Think Time : N.A Minimum Instruction Time : 0

Correct Marks : 5 Wrong Marks : 1

Question Key Details :

Key	Value
Comprehension	MCQ

Who has argued nation as an imagined community?

1. J. Gutenleerg
2. Raja Rammohan Roy
3. Vidyasagar
4. Benedict Anderson

Options :

485584138089. 1

485584138090. 2

485584138091. 3

485584138092. 4

Question Number : 419 Question Id : 48558434524 Question Type : MCQ Option Shuffling : No Is Question Mandatory : No Calculator : None Response Time : N.A Think Time : N.A Minimum Instruction Time : 0

Correct Marks : 5 Wrong Marks : 1

Question Key Details :

Key	Value
Comprehension	MCQ

Match List I with List II

LIST I		LIST II	
Nature of work		Industry	
A.	Working conditions	I.	Bidi making, zari making
B.	Recruitment	II.	The mines Act 1952
C.	Management	III.	Jobless
D.	Home based work	IV.	Taylorism

Choose the correct answer from the options given below:

1. A-I, B-II, C-III, D-IV
2. A-III, B-IV, C-I, D-II
3. A-IV, B-I, C-II, D-III
4. A-II, B-III, C-IV, D-I

Options :

485584138093. 1

485584138094. 2

485584138095. 3

485584138096.4

**Question Number : 420 Question Id : 48558434525 Question Type : MCQ Option Shuffling : No Is Question Mandatory : No Calculator : None Response Time : N.A Think Time : N.A Minimum Instruction Time : 0**

**Correct Marks : 5 Wrong Marks : 1**

**Question Key Details :**

Key	Value
Comprehension	MCQ

bidi workers are:

- A. Workers who substitute for regular permanent workers.
- B. Contract workers.
- C. Permanent workers.
- D. Workers who receive equal status and security like permanent workers

Choose the correct answer from the options given below:

- 1. C, D Only
- 2. A, B Only
- 3. A, D Only
- 4. B, D Only

**Options :**

- 485584138097. 1
- 485584138098. 2
- 485584138099. 3
- 485584138100. 4

**Question Number : 421 Question Id : 48558434526 Question Type : MCQ Option Shuffling : No Is Question Mandatory : No Calculator : None Response Time : N.A Think Time : N.A Minimum Instruction Time : 0**

**Correct Marks : 5 Wrong Marks : 1**

**Question Key Details :**

Key	Value
Comprehension	MCQ



The critics of Malthosian theory argued that poverty and Starvation were caused by

- A. Unequal distribution of economic resources
- B. Population growth
- C. injust social system
- D. Privileged minority

Choose the correct answer from the options given below:

- 1. B & D Only
- 2. B & C Only
- 3. A & C Only
- 4. A & B Only

**Options :**

- 485584138101. 1
- 485584138102. 2
- 485584138103. 3
- 485584138104. 4

**Question Number : 422 Question Id : 48558434527 Question Type : MCQ Option Shuffling : No Is Question Mandatory : No Calculator : None Response Time : N.A Think Time : N.A Minimum Instruction Time : 0**

**Correct Marks : 5 Wrong Marks : 1**

**Question Key Details :**

Key	Value
Comprehension	MCQ

The term used when individual are required to marry outside his/her group:

- 1. Monogamy
- 2. Polygamy
- 3. Endogamy
- 4. Exogamy

**Options :**

- 485584138105. 1
- 485584138106. 2
- 485584138107. 3
- 485584138108. 4

**Question Number : 423 Question Id : 48558434528 Question Type : MCQ Option Shuffling : No Is Question Mandatory : No Calculator : None Response Time : N.A Think Time : N.A Minimum Instruction Time : 0**

**Correct Marks : 5 Wrong Marks : 1**

**Question Key Details :**

Key	Value
Comprehension	MCQ

Permanent traits in tribes does not include:

1. region
2. Religion
3. language
4. Ecological Habit

**Options :**

- 485584138109. 1
- 485584138110. 2
- 485584138111. 3
- 485584138112. 4

**Question Number : 424 Question Id : 48558434529 Question Type : MCQ Option Shuffling : No Is Question Mandatory : No Calculator : None Response Time : N.A Think Time : N.A Minimum Instruction Time : 0**

**Correct Marks : 5 Wrong Marks : 1**

**Question Key Details :**

Key	Value
Comprehension	MCQ

The most common features of caste are:

- A. It involves strict rule about marriage.
- B. It involves rules about food and food sharing
- C. It is a matter of choice.
- D. Castes involved subdivisions within themselves.

Choose the correct answer from the options given below:

1. A, B & D Only
2. B, C & D Only
3. A, C & D Only
4. A, B & C Only'

**Options :**

- 485584138113. 1
- 485584138114. 2
- 485584138115. 3
- 485584138116. 4

**Question Number : 425 Question Id : 48558434530 Question Type : MCQ Option Shuffling : No Is Question Mandatory : No Calculator : None Response Time : N.A Think Time : N.A Minimum Instruction Time : 0**

**Correct Marks : 5 Wrong Marks : 1**

**Question Key Details :**

Key	Value
Comprehension	MCQ

Who coined the term 'Status Symbol'?

1. T. K. Domenn
2. Levi Strauss
3. Emile Durkheim
4. Max Weber

**Options :**

485584138117. 1  
485584138118. 2  
485584138119. 3  
485584138120. 4

**Question Number : 426 Question Id : 48558434531 Question Type : MCQ Option Shuffling : No Is Question Mandatory : No Calculator : None Response Time : N.A Think Time : N.A Minimum Instruction Time : 0**

**Correct Marks : 5 Wrong Marks : 1**

**Question Key Details :**

Key	Value
Comprehension	MCQ

Which tribe is matrilineal?

1. Bakarwal
2. Khasi
3. Bhil
4. Santhal

**Options :**

485584138121. 1  
485584138122. 2  
485584138123. 3  
485584138124. 4

**Question Number : 427 Question Id : 48558434532 Question Type : MCQ Option Shuffling : No Is Question Mandatory : No Calculator : None Response Time : N.A Think Time : N.A Minimum Instruction Time : 0**

**Correct Marks : 5 Wrong Marks : 1**

**Question Key Details :**

Key	Value
Comprehension	MCQ

Indian parliamentary and Legal system is based on:

1. French Model
2. Canadian Model
3. British Model
4. Australian Model

**Options :**

- 485584138125. 1
- 485584138126. 2
- 485584138127. 3
- 485584138128. 4

**Question Number : 428 Question Id : 48558434533 Question Type : MCQ Option Shuffling : No Is Question Mandatory : No Calculator : None Response Time : N.A Think Time : N.A Minimum Instruction Time : 0**

**Correct Marks : 5 Wrong Marks : 1**

**Question Key Details :**

Key	Value
Comprehension	MCQ

Social inequality and exclusion are social because

- A. They are structured
- B. They are systematic
- C. They are unstructured
- D. They are non systematic

Choose the correct answer from the options given below:

1. A & D Only
2. B & C Only
3. A & B Only
4. C & D Only

**Options :**

- 485584138129. 1
- 485584138130. 2
- 485584138131. 3
- 485584138132. 4

**Question Number : 429 Question Id : 48558434534 Question Type : MCQ Option Shuffling : No Is Question Mandatory : No Calculator : None Response Time : N.A Think Time : N.A Minimum Instruction Time : 0**

**Correct Marks : 5 Wrong Marks : 1**

**Question Key Details :**

Key	Value
Comprehension	MCQ

In 1993 Supreme Court held that Right to Information is part of and incidental to The Right of expression under:

1. Article 19 (1)(A)
2. Article 17
3. Article 20 (1)(B)
4. Article 15

**Options :**

- 485584138133. 1
- 485584138134. 2
- 485584138135. 3
- 485584138136. 4

**Question Number : 430 Question Id : 48558434535 Question Type : MCQ Option Shuffling : No Is Question Mandatory : No Calculator : None Response Time : N.A Think Time : N.A Minimum Instruction Time : 0**

**Correct Marks : 5 Wrong Marks : 1**

**Question Key Details :**

Key	Value
Comprehension	MCQ

Arrange the following in order of the development of Indian women's struggle for equality.

- A. Raja Rammohan Roy undertook the campaign against Sati
- B. Law became the major site for reform against violence
- C. Karachi Session of INC committed itself to women's equality
- D. Dayanand saraswati stood for women's education based on religious principles

Choose the correct answer from the options given below:

1. D, A, C, B
2. B, D, C, A
3. A, B, C, D
4. A, D, C, B

**Options :**

- 485584138137. 1
- 485584138138. 2
- 485584138139. 3
- 485584138140. 4

**Question Number : 431 Question Id : 48558434536 Question Type : MCQ Option Shuffling : No Is Question Mandatory : No Calculator : None Response Time : N.A Think Time : N.A Minimum Instruction Time : 0**

**Correct Marks : 5 Wrong Marks : 1**

**Question Key Details :**

Key	Value
Comprehension	MCQ

Arrange the following in chronological sequence (from oldest to newest events)

- A. Champaran Satyagraha
- B. Bihar Provincial Kisan Sabha
- C. Deccan riots
- D. Tebhaga Movement
- E. Bardoli Satyagraha

Choose the correct answer from the options given below:

- 1. D, B, C, A, E
- 2. C, A, E, B, D
- 3. B, D, A, C, E
- 4. A, B, C, D, E

**Options :**

- 485584138141. 1
- 485584138142. 2
- 485584138143. 3
- 485584138144. 4

**Question Number : 432 Question Id : 48558434537 Question Type : MCQ Option Shuffling : No Is Question Mandatory : No Calculator : None Response Time : N.A Think Time : N.A Minimum Instruction Time : 0**

**Correct Marks : 5 Wrong Marks : 1**

**Question Key Details :**

Key	Value
Comprehension	MCQ

Sanskritization is a process of

- 1. Upward mobility
- 2. Downward mobility
- 3. Intra-generational mobility
- 4. Horizontal mobility

**Options :**

- 485584138145. 1
- 485584138146. 2
- 485584138147. 3
- 485584138148. 4

**Question Number : 433 Question Id : 48558434538 Question Type : MCQ Option Shuffling : No Is Question Mandatory : No Calculator : None Response Time : N.A Think Time : N.A Minimum Instruction Time : 0**

**Correct Marks : 5 Wrong Marks : 1**

**Question Key Details :**

Key	Value
Comprehension	MCQ

Out of the following which is the dominant caste in Andhra Pradesh?

1. Lingayats
2. Kammas
3. Jat
4. Sikhs

**Options :**

485584138149. 1  
485584138150. 2  
485584138151. 3  
485584138152. 4

**Question Number : 434 Question Id : 48558434539 Question Type : MCQ Option Shuffling : No Is Question Mandatory : No Calculator : None Response Time : N.A Think Time : N.A Minimum Instruction Time : 0**

**Correct Marks : 5 Wrong Marks : 1**

**Question Key Details :**

Key	Value
Comprehension	MCQ

In the decocratic form of government who are the key actors?

1. Industrialists
2. Political Parties
3. People
4. NGO's

**Options :**

485584138153. 1  
485584138154. 2  
485584138155. 3  
485584138156. 4

**Question Number : 435 Question Id : 48558434540 Question Type : MCQ Option Shuffling : No Is Question Mandatory : No Calculator : None Response Time : N.A Think Time : N.A Minimum Instruction Time : 0**

**Correct Marks : 5 Wrong Marks : 1**

**Question Key Details :**

Key	Value
Comprehension	MCQ

Which amendment provided a three-tier system of Panchayati Raj for all states having a population of over twenty lakh.

1. The 92nd Amendment
2. The 73<sup>rd</sup> Amendment
3. The 56<sup>th</sup> Amendment
4. The 83<sup>rd</sup> Amendment

**Options :**

- 485584138157. 1
- 485584138158. 2
- 485584138159. 3
- 485584138160. 4

**Question Number : 436 Question Id : 48558434541 Question Type : MCQ Option Shuffling : No Is Question Mandatory : No Calculator : None Response Time : N.A Think Time : N.A Minimum Instruction Time : 0**

**Correct Marks : 5 Wrong Marks : 1**

**Question Key Details :**

Key	Value
Comprehension	MCQ

An economy where the workforce involved in Design, Development, Technology, Marketing, Sales and Services is known as:-

1. Knowledge economy
2. Developed economy
3. Developing
4. Electronic economy

**Options :**

- 485584138161. 1
- 485584138162. 2
- 485584138163. 3
- 485584138164. 4

**Question Number : 437 Question Id : 48558434542 Question Type : MCQ Option Shuffling : No Is Question Mandatory : No Calculator : None Response Time : N.A Think Time : N.A Minimum Instruction Time : 0**

**Correct Marks : 5 Wrong Marks : 1**

**Question Key Details :**

Key	Value
Comprehension	MCQ



India's first long running soap opera was:

1. Hum log
2. Buniyaad
3. Ramayana
4. Mahabharata

**Options :**

485584138165. 1  
485584138166. 2  
485584138167. 3  
485584138168. 4

**Question Number : 438 Question Id : 48558434543 Question Type : MCQ Option Shuffling : No Is Question Mandatory : No Calculator : None Response Time : N.A Think Time : N.A Minimum Instruction Time : 0**

**Correct Marks : 5 Wrong Marks : 1**

**Question Key Details :**

Key	Value
Comprehension	MCQ

Who wrote Unquite Woods?

1. Karl Marx
2. Ramchandra Guha
3. Dipanker Gupta
4. M.N.Srinivas

**Options :**

485584138169. 1  
485584138170. 2  
485584138171. 3  
485584138172. 4

**Question Number : 439 Question Id : 48558434544 Question Type : MCQ Option Shuffling : No Is Question Mandatory : No Calculator : None Response Time : N.A Think Time : N.A Minimum Instruction Time : 0**

**Correct Marks : 5 Wrong Marks : 1**

**Question Key Details :**

Key	Value
Comprehension	MCQ

Social movement is:

1. absence of any degree of organisation
2. sustained collective action
3. necessarily include a leadership
4. disorganised protest

**Options :**

- 485584138173. 1
- 485584138174. 2
- 485584138175. 3
- 485584138176. 4

**Question Number : 440 Question Id : 48558434545 Question Type : MCQ Option Shuffling : No Is Question Mandatory : No Calculator : None Response Time : N.A Think Time : N.A Minimum Instruction Time : 0**

**Correct Marks : 5 Wrong Marks : 1**

**Question Key Details :**

Key	Value
Comprehension	MCQ

Gender identities impact men as well. A typical man in the Indian society is expected to be the following:

1. Do household work
2. Help in child rearing
3. Strong and successful
4. Helpful and compassionate

**Options :**

- 485584138177. 1
- 485584138178. 2
- 485584138179. 3
- 485584138180. 4

**Sub-Section Number :** 2  
**Sub-Section Id :** 4855842553  
**Question Shuffling Allowed :** No  
**Is Section Default? :** null

**Question Number : 441 Question Id : 48558434546 Question Type : MCQ Option Shuffling : No Is Question Mandatory : No Calculator : None Response Time : N.A Think Time : N.A Minimum Instruction Time : 0**

**Correct Marks : 5 Wrong Marks : 1**

**Question Key Details :**

Key	Value
Comprehension	Comp1

Clamoring to enter India's red-hot retail sector, the world's largest chains, including WalMart Stores, Carrefour and Tesco, are seeking the best way to enter the country, despite a government ban on foreign direct investment in the market. Recent large investment by major Indian businesses, like Reliance Industries and Bharat Airtel, have increased the sense of urgency for foreign retailers..... Last week Bharat Airtel indicated that it was in talks with Wal-Mart, Carrefour and Tesco to set up a joint venture .... India's retails sector is attractive not only because of its fast growth, but because family-run street corner stores have 97 % of the nation's business. But this industry trait is precisely why the government makes it hard for foreigners to enter the market. Politicians frequently argue that global retailers would destroy thousands of small local players and fledgling domestic chains.

The government is trying to sell its share in several public sector companies, a process which is known as \_\_\_\_\_

1. Foreign investment
2. De investment
3. Dis investment
4. Retail therapy

**Options :**

- 485584138181. 1
- 485584138182. 2
- 485584138183. 3
- 485584138184. 4

**Question Number : 442 Question Id : 48558434547 Question Type : MCQ Option Shuffling : No Is Question Mandatory : No Calculator : None Response Time : N.A Think Time : N.A Minimum Instruction Time : 0**

**Correct Marks : 5 Wrong Marks : 1**

**Question Key Details :**

Key	Value
Comprehension	Compl

Clamoring to enter India's red-hot retail sector, the world's largest chains, including WalMart Stores, Carrefour and Tesco, are seeking the best way to enter the country, despite a government ban on foreign direct investment in the market. Recent large investment by major Indian businesses, like Reliance Industries and Bharat Airtel, have increased the sense of urgency for foreign retailers..... Last week Bharat Airtel indicated that it was in talks with Wal-Mart, Carrefour and Tesco to set up a joint venture .... India's retails sector is attractive not only because of its fast growth, but because family-run street corner stores have 97 % of the nation's business. But this industry trait is precisely why the government makes it hard for foreigners to enter the market. Politicians frequently argue that global retailers would destroy thousands of small local players and fledgling domestic chains.

Due to globalisation, MNCs are outsourcing work to developing countries because:

1. Most MNC are headed by people from developing countries like India
2. The International Monetary Fund and World Trade Organisation makes it mandatory
3. Labour is skilled
4. Labour is cheaper in developing countries which will yield bigger profits for the MNCs

**Options :**

- 485584138185. 1
- 485584138186. 2
- 485584138187. 3
- 485584138188. 4

**Question Number : 443 Question Id : 48558434548 Question Type : MCQ Option Shuffling : No Is Question Mandatory : No Calculator : None Response Time : N.A Think Time : N.A Minimum Instruction Time : 0**

**Correct Marks : 5 Wrong Marks : 1**

**Question Key Details :**

Key	Value
Comprehension	Compl

Clamoring to enter India's red-hot retail sector, the world's largest chains, including WalMart Stores, Carrefour and Tesco, are seeking the best way to enter the country, despite a government ban on foreign direct investment in the market. Recent large investment by major Indian businesses, like Reliance Industries and Bharat Airtel, have increased the sense of urgency for foreign retailers..... Last week Bharat Airtel indicated that it was in talks with Wal-Mart, Carrefour and Tesco to set up a joint venture .... India's retail sector is attractive not only because of its fast growth, but because family-run street corner stores have 97 % of the nation's business. But this industry trait is precisely why the government makes it hard for foreigners to enter the market. Politicians frequently argue that global retailers would destroy thousands of small local players and fledgling domestic chains.

India's retail sector is attractive not only because of its fast growth, but because family run street cover. Stores have a large share of the market. Identify the share of the family run cover business in retail sector.

1. 59%
2. 97%
3. 79%
4. 90%

**Options :**

- 485584138189. 1
- 485584138190. 2
- 485584138191. 3
- 485584138192. 4

**Question Number : 444 Question Id : 48558434549 Question Type : MCQ Option Shuffling : No Is Question Mandatory : No Calculator : None Response Time : N.A Think Time : N.A Minimum Instruction Time : 0**

**Correct Marks : 5 Wrong Marks : 1**

**Question Key Details :**

Key	Value
Comprehension	Compl

Clamoring to enter India's red-hot retail sector, the world's largest chains, including WalMart Stores, Carrefour and Tesco, are seeking the best way to enter the country, despite a government ban on foreign direct investment in the market. Recent large investment by major Indian businesses, like Reliance Industries and Bharat Airtel, have increased the sense of urgency for foreign retailers..... Last week Bharat Airtel indicated that it was in talks with Wal-Mart, Carrefour and Tesco to set up a joint venture .... India's retails sector is attractive not only because of its fast growth, but because family-run street corner stores have 97 % of the nation's business. But this industry trait is precisely why the government makes it hard for foreigners to enter the market. Politicians frequently argue that global retailers would destroy thousands of small local players and fledgling domestic chains.

Parle drinks bring bought by Coca Cola in an example of

1. Liberealization
2. De-Monetisation
3. Globalization
4. Acquisition

**Options :**

- 485584138193. 1
- 485584138194. 2
- 485584138195. 3
- 485584138196. 4

**Question Number : 445 Question Id : 48558434550 Question Type : MCQ Option Shuffling : No Is Question Mandatory : No Calculator : None Response Time : N.A Think Time : N.A Minimum Instruction Time : 0**

**Correct Marks : 5 Wrong Marks : 1**

**Question Key Details :**

Key	Value
Comprehension	Compl

Clamoring to enter India's red-hot retail sector, the world's largest chains, including WalMart Stores, Carrefour and Tesco, are seeking the best way to enter the country, despite a government ban on foreign direct investment in the market. Recent large investment by major Indian businesses, like Reliance Industries and Bharat Airtel, have increased the sense of urgency for foreign retailers..... Last week Bharat Airtel indicated that it was in talks with Wal-Mart, Carrefour and Tesco to set up a joint venture .... India's retails sector is attractive not only because of its fast growth, but because family-run street corner stores have 97 % of the nation's business. But this industry trait is precisely why the government makes it hard for foreigners to enter the market. Politicians frequently argue that global retailers would destroy thousands of small local players and fledgling domestic chains.

Identify the world's largest MNC in retail market

1. Wal - Mart stores
2. Pepsico
3. Relaince- Industries
4. Amazon

**Options :**

- 485584138197. 1
- 485584138198. 2
- 485584138199. 3
- 485584138200. 4

**Sub-Section Number :** 3  
**Sub-Section Id :** 4855842554  
**Question Shuffling Allowed :** No  
**Is Section Default? :** null

**Question Number : 446 Question Id : 48558434551 Question Type : MCQ Option Shuffling : No Is Question Mandatory : No Calculator : None Response Time : N.A Think Time : N.A Minimum Instruction Time : 0**

**Correct Marks : 5 Wrong Marks : 1**

**Question Key Details :**

Key	Value
Comprehension	Comp2

Read the following passage and answer question based on the concept.

Considered from an, urban point of view. The rapid growth in urbanization shows that the town or city has been acting as a magnet for the rural population. Those who cannot find work (or sufficient work) in the rural areas go to the city in search of work. This flow of rural-to-urban migration has also been accelerated by the continuous decline of common property resources like ponds, forests and grazing land. These common resources enabled poor people to survive in the villages although they owned little or no land. Now, these resources have been turned into private property, or they are exhausted. (Ponds may run dry no longer provide enough fish; forests may have been cut down and have vanished...). If people no longer have access to these resources, but on the other hand have to buy many things in the market that they used to get free (like fuel, fodder or supplementary food items). Then their hardship increases. This hardship is worsened by the fact that opportunities for cash income are limited in the villages.

Identify how is Mass Media contributing to urbanization?

1. By controlling the product market
2. By streaming the image of urban life styles and patterns of consumption to rural people
3. By changing the views of rural people
4. By providing employment

**Options :**

- 485584138201. 1
- 485584138202. 2
- 485584138203. 3

**Question Number : 447 Question Id : 48558434552 Question Type : MCQ Option Shuffling : No Is Question Mandatory : No Calculator : None Response Time : N.A Think Time : N.A Minimum Instruction Time : 0**

**Correct Marks : 5 Wrong Marks : 1**

**Question Key Details :**

Key	Value
Comprehension	Comp2

Read the following passage and answer question based on the concept.

Considered from an, urban point of view. The rapid growth in urbanization shows that the town or city has been acting as a magnet for the rural population. Those who cannot find work (or sufficient work) in the rural areas go to the city in search of work. This flow of rural-to-urban migration has also been accelerated by the continuous decline of common property resources like ponds, forests and grazing land. These common resources enabled poor people to survive in the villages although they owned little or no land. Now, these resources have been turned into private property, or they are exhausted. (Ponds may run dry no longer provide enough fish; forests may have been cut down and have vanished...). If people no longer have access to these resources, but on the other hand have to buy many things in the market that they used to get free (like fuel, fodder or supplementary food items). Then their hardship increases. This hardship is worsened by the fact that opportunities for cash income are limited in the villages.

"There is a selective in the common property resources in the village trading to migration in that are these common property resources?"

1. Agricultural land
2. Ponds, forests and grazing land
3. Agricultural Implements
4. Friends and relatives

**Options :**

485584138205. 1  
485584138206. 2  
485584138207. 3  
485584138208. 4

**Question Number : 448 Question Id : 48558434553 Question Type : MCQ Option Shuffling : No Is Question Mandatory : No Calculator : None Response Time : N.A Think Time : N.A Minimum Instruction Time : 0**

**Correct Marks : 5 Wrong Marks : 1**

**Question Key Details :**

Key	Value
Comprehension	Comp2

Read the following passage and answer question based on the concept.

Considered from an, urban point of view. The rapid growth in urbanization shows that the town or city has been acting as a magnet for the rural population. Those who cannot find work (or sufficient work) in the rural areas go to the city in search of work. This flow of rural-to-urban migration has also been accelerated by the continuous decline of common property resources like ponds, forests and grazing land. These common resources enabled poor people to survive in the villages although they owned little or no land. Now, these resources have been turned into private property, or they are exhausted. (Ponds may run dry no longer provide enough fish; forests may have been cut down and have vanished...). If people no longer have access to these resources, but on the other hand have to buy many things in the market that they used to get free (like fuel, fodder or supplementary food items). Then their hardship increases. This hardship is worsened by the fact that opportunities for cash income are limited in the villages.

Urbanisation is not just impacting the number of people migration to urban areas, but also impacting:

1. Increased interaction of urban people
2. Increased resources for rural people left behind
3. Decline in socio- economic significances of agrarian way of life
4. Increased resources of urban people

**Options :**

- 485584138209. 1
- 485584138210. 2
- 485584138211. 3
- 485584138212. 4

**Question Number : 449 Question Id : 48558434554 Question Type : MCQ Option Shuffling : No Is Question Mandatory : No Calculator : None Response Time : N.A Think Time : N.A Minimum Instruction Time : 0**

**Correct Marks : 5 Wrong Marks : 1**

**Question Key Details :**

Key	Value
Comprehension	Comp2

Read the following passage and answer question based on the concept.

Considered from an, urban point of view. The rapid growth in urbanization shows that the town or city has been acting as a magnet for the rural population. Those who cannot find work (or sufficient work) in the rural areas go to the city in search of work. This flow of rural-to-urban migration has also been accelerated by the continuous decline of common property resources like ponds, forests and grazing land. These common resources enabled poor people to survive in the villages although they owned little or no land. Now, these resources have been turned into private property, or they are exhausted. (Ponds may run dry no longer provide enough fish; forests may have been cut down and have vanished...). If people no longer have access to these resources, but on the other hand have to buy many things in the market that they used to get free (like fuel, fodder or supplementary food items). Then their hardship increases. This hardship is worsened by the fact that opportunities for cash income are limited in the villages.



Decline in common property resources like ponds, forests has led to acceleration of:

1. Rural and rural
2. Urban and rural
3. Rural and urban
4. Urban to urban

**Options :**

- 485584138213. 1
- 485584138214. 2
- 485584138215. 3
- 485584138216. 4

**Question Number : 450 Question Id : 48558434555 Question Type : MCQ Option Shuffling : No Is Question Mandatory : No Calculator : None Response Time : N.A Think Time : N.A Minimum Instruction Time : 0**

**Correct Marks : 5 Wrong Marks : 1**

**Question Key Details :**

Key	Value
Comprehension	Comp2

Read the following passage and answer question based on the concept.

Considered from an, urban point of view. The rapid growth in urbanization shows that the town or city has been acting as a magnet for the rural population. Those who cannot find work (or sufficient work) in the rural areas go to the city in search of work. This flow of rural-to-urban migration has also been accelerated by the continuous decline of common property resources like ponds, forests and grazing land. These common resources enabled poor people to survive in the villages although they owned little or no land. Now, these resources have been turned into private property, or they are exhausted. (Ponds may run dry no longer provide enough fish; forests may have been cut down and have vanished...). If people no longer have access to these resources, but on the other hand have to buy many things in the market that they used to get free (like fuel, fodder or supplementary food items). Then their hardship increases. This hardship is worsened by the fact that opportunities for cash income are limited in the villages.

The emergence of machine production, based on the use of inanimate power resources like steem or electricity is known as:

1. Globalisation
2. Modernisation
3. Industrilisation
4. Glocalisation

**Options :**

- 485584138217. 1
- 485584138218. 2
- 485584138219. 3
- 485584138220. 4

## General Test

**Group Number :** 15  
**Group Id :** 485584782  
**Group Maximum Duration :** 60  
**Group Minimum Duration :** 60  
**Show Attended Group? :** No  
**Edit Attended Group? :** No  
**Break time :** 0  
**Group Marks :** 250  
**Is this Group for Examiner? :** No  
**Examiner permission :** Cant View  
**Show Progress Bar? :** No

## General Test

**Section Id :** 485584900  
**Section Number :** 1  
**Section type :** Online  
**Mandatory or Optional :** Mandatory  
**Number of Questions :** 60  
**Number of Questions to be attempted :** 50  
**Section Marks :** 250  
**Enable Mark as Answered Mark for Review and Clear Response :** Yes  
**Maximum Instruction Time :** 0  
**Sub-Section Number :** 1  
**Sub-Section Id :** 4855842555  
**Question Shuffling Allowed :** Yes  
**Is Section Default? :** null

**Question Number : 451 Question Id : 48558433996 Question Type : MCQ Option Shuffling : No Is Question Mandatory : No Calculator : None Response Time : N.A Think Time : N.A Minimum Instruction Time : 0 Correct Marks : 5 Wrong Marks : 1**

**Question Key Details :**

Key	Value
Comprehension	MCQ

In how many ways can a committee of 7 members be selected from 6 men and 5 women consisting of 4 men and 3 women?

1. 25
2. 147
3. 150
4. 600

**Options :**

485584135981. 1  
485584135982. 2  
485584135983. 3  
485584135984. 4

**Question Number : 452 Question Id : 48558433997 Question Type : MCQ Option Shuffling : No Is Question Mandatory : No Calculator : None Response Time : N.A Think Time : N.A Minimum Instruction Time : 0**

**Correct Marks : 5 Wrong Marks : 1**

**Question Key Details :**

Key	Value
Comprehension	MCQ

The simple interest of Rs 6500 for  $1\frac{1}{2}$  years at 10% is

- 1. 945
- 2. 950
- 3. 960
- 4. 975

**Options :**

- 485584135985. 1
- 485584135986. 2
- 485584135987. 3
- 485584135988. 4

**Question Number : 453 Question Id : 48558433998 Question Type : MCQ Option Shuffling : No Is Question Mandatory : No Calculator : None Response Time : N.A Think Time : N.A Minimum Instruction Time : 0**

**Correct Marks : 5 Wrong Marks : 1**

**Question Key Details :**

Key	Value
Comprehension	MCQ

Two friends A and B invest in a buissness in partnership. B borrows 20% of A's salary, combines it with 60% of his salary and invest with A, who puts all of his remaining salary. One year later the ratio of profit of A and B is 5:3 respectively and B returns Rs.21000 to A which he borrowed from him. What is the difference between salary of A and B?

- 1. Rs. 56000
- 2. Rs. 32000
- 3. Rs. 60000
- 4. Rs. 28000

**Options :**

- 485584135989. 1
- 485584135990. 2
- 485584135991. 3
- 485584135992. 4

**Question Number : 454 Question Id : 48558433999 Question Type : MCQ Option Shuffling : No Is Question Mandatory : No Calculator : None Response Time : N.A Think Time : N.A Minimum Instruction Time : 0**

**Correct Marks : 5 Wrong Marks : 1**

**Question Key Details :**

Key	Value
Comprehension	MCQ

The perimeter of one face of a cube is 24cm. its volume must be:

1.  $216 \text{ cm}^3$
2.  $1200 \text{ cm}^3$
3.  $576 \text{ cm}^3$
4.  $13824 \text{ cm}^3$

**Options :**

485584135993. 1  
485584135994. 2  
485584135995. 3  
485584135996. 4

**Question Number : 455 Question Id : 48558434000 Question Type : MCQ Option Shuffling : No Is Question Mandatory : No Calculator : None Response Time : N.A Think Time : N.A Minimum Instruction Time : 0**

**Correct Marks : 5 Wrong Marks : 1**

**Question Key Details :**

Key	Value
Comprehension	MCQ

What is empirical relationship between mean, median and mode?

- A.  $\text{Mean} - \text{Mode} = 3(\text{Mean} - \text{Median})$
- B.  $\text{Mode} = \text{Mean} - \text{Median}$
- C.  $\text{Mode} = 3 \text{ Median} - 2 \text{ Mean}$
- D.  $\text{Median} - \text{Mode} = 3 (\text{Mean} - \text{Median})$
- E.  $\text{Mode} = 2 \text{ Mean} + 3 \text{ Median}$

Choose the correct answer from the options given below\_

1. C only
2. Both A and C only
3. Both A and B only
4. Both D and E only

**Options :**

485584135997. 1  
485584135998. 2  
485584135999. 3  
485584136000. 4

**Question Number : 456 Question Id : 48558434001 Question Type : MCQ Option Shuffling : No Is Question Mandatory : No Calculator : None Response Time : N.A Think Time : N.A Minimum Instruction Time : 0**

**Correct Marks : 5 Wrong Marks : 1**

**Question Key Details :**

Key	Value
Comprehension	MCQ

A person walks from his house to his office at a speed of  $x_1$  km/hr and returns by the same route at a speed of  $x_2$  km/hr. What is his average speed?

1.  $\frac{x_1 + x_2}{2}$

2.  $\frac{x_1 + x_2}{2x_1x_2}$

3.  $\frac{2x_1x_2}{x_1 + x_2}$

4.  $\frac{x_1 + x_2}{x_1x_2}$

**Options :**

- 485584136001. 1
- 485584136002. 2
- 485584136003. 3
- 485584136004. 4

**Question Number : 457 Question Id : 48558434002 Question Type : MCQ Option Shuffling : No Is Question Mandatory : No Calculator : None Response Time : N.A Think Time : N.A Minimum Instruction Time : 0**

**Correct Marks : 5 Wrong Marks : 1**

**Question Key Details :**

Key	Value
Comprehension	MCQ

A thief is spotted by a policeman from a distance of 100m. when the policeman starts the chase, the thief also starts running. If the speed of the thief be 8 km/hr and that of the policeman 10 km/hr, how far the thief will have run before he is overtaken ?

1. 100 m

2. 200 m

3. 400 m

4. 500 m

**Options :**

- 485584136005. 1
- 485584136006. 2
- 485584136007. 3
- 485584136008. 4

**Question Number : 458 Question Id : 48558434003 Question Type : MCQ Option Shuffling : No Is Question Mandatory : No Calculator : None Response Time : N.A Think Time : N.A Minimum Instruction Time : 0**

**Correct Marks : 5 Wrong Marks : 1**

**Question Key Details :**

Key	Value
Comprehension	MCQ

The perimeter of a square and a regular hexagon are equal. The ratio of the area of the hexagon to the area of the square is:

1.  $2\sqrt{3} : 1$

2.  $2 : \sqrt{3}$

3.  $3\sqrt{3} : 2$

4.  $\sqrt{2} : 3$

**Options :**

485584136009. 1

485584136010. 2

485584136011. 3

485584136012. 4

**Question Number : 459 Question Id : 48558434004 Question Type : MCQ Option Shuffling : No Is Question Mandatory : No Calculator : None Response Time : N.A Think Time : N.A Minimum Instruction Time : 0**

**Correct Marks : 5 Wrong Marks : 1**

**Question Key Details :**

Key	Value
Comprehension	MCQ

The radius of the wheel of a vehicle is 35cm. The wheel makes 10 revolutions in 6 seconds. The speed of the vehicle is:

1. 70 km/hr

2. 13.2 km/hr

3. 17.5 km/hr

4. 20 km/hr

**Options :**

485584136013. 1

485584136014. 2

485584136015. 3

485584136016. 4

**Question Number : 460 Question Id : 48558434005 Question Type : MCQ Option Shuffling : No Is Question Mandatory : No Calculator : None Response Time : N.A Think Time : N.A Minimum Instruction Time : 0**

**Correct Marks : 5 Wrong Marks : 1**

**Question Key Details :**

Key	Value
Comprehension	MCQ

A sum of money triples it self in 3 years at compound interest. In how many years will it becomes 9 times

1. 9 years
2. 6 years
3. 12 years
4. 5 years

**Options :**

485584136017. 1  
485584136018. 2  
485584136019. 3  
485584136020. 4

**Question Number : 461 Question Id : 48558434006 Question Type : MCQ Option Shuffling : No Is Question Mandatory : No Calculator : None Response Time : N.A Think Time : N.A Minimum Instruction Time : 0**

**Correct Marks : 5 Wrong Marks : 1**

**Question Key Details :**

Key	Value
Comprehension	MCQ

Aman got 30% of the maximum marks in an examination and failed by 15% marks. However, Anil who took the same examination got 40% of the total marks and got 10 marks more than the passing marks. What were the passing marks in the examination?

1. 85
2. 90
3. 95
4. 100

**Options :**

485584136021. 1  
485584136022. 2  
485584136023. 3  
485584136024. 4

**Question Number : 462 Question Id : 48558434007 Question Type : MCQ Option Shuffling : No Is Question Mandatory : No Calculator : None Response Time : N.A Think Time : N.A Minimum Instruction Time : 0**

**Correct Marks : 5 Wrong Marks : 1**

**Question Key Details :**

Key	Value
Comprehension	MCQ

Akriti buys a smartphone for ₹12,500. If she wants to profit of 30%, how much should she charge for the smartphone?

1. 16000
2. 14375
3. 16250
4. 15400

**Options :**

485584136025. 1  
485584136026. 2  
485584136027. 3  
485584136028. 4

**Question Number : 463 Question Id : 48558434008 Question Type : MCQ Option Shuffling : No Is Question Mandatory : No Calculator : None Response Time : N.A Think Time : N.A Minimum Instruction Time : 0**

**Correct Marks : 5 Wrong Marks : 1**

**Question Key Details :**

Key	Value
Comprehension	MCQ

₹4200 are divided among 'P', 'Q', 'R' and 'S' in such a way that the shares of 'P' and 'Q', 'Q' and 'R' as well 'R' and 'S' are in the ratios of 2:3, 4:5 and 6:7 resp. ectively the share of 'P' is:

1. ₹ 600
2. ₹ 640
3. ₹ 1280
4. ₹ 1480

**Options :**

485584136029. 1  
485584136030. 2  
485584136031. 3  
485584136032. 4

**Question Number : 464 Question Id : 48558434009 Question Type : MCQ Option Shuffling : No Is Question Mandatory : No Calculator : None Response Time : N.A Think Time : N.A Minimum Instruction Time : 0**

**Correct Marks : 5 Wrong Marks : 1**

**Question Key Details :**

Key	Value
Comprehension	MCQ



Work done by A in one day is half of the work done by B in one day. Work done by B is half of the work done by C in one day. If C alone can do the work in 7 days, then in how many days can A, B and C together complete the work?

1. 4
2. 14
3. 21
4. 28

**Options :**

485584136033. 1  
485584136034. 2  
485584136035. 3  
485584136036. 4

**Question Number : 465 Question Id : 48558434010 Question Type : MCQ Option Shuffling : No Is Question Mandatory : No Calculator : None Response Time : N.A Think Time : N.A Minimum Instruction Time : 0**

**Correct Marks : 5 Wrong Marks : 1**

**Question Key Details :**

Key	Value
Comprehension	MCQ

A pair of dice is thrown and sum of the numbers on two tosses is observed. Which of the statements are correct

- A. Probability of getting sum as 11 is  $\frac{1}{18}$
- B. Probability of getting sum as 5 is  $\frac{1}{12}$
- C. Probability of getting sum as 7 is  $\frac{1}{6}$
- D. Probability of getting sum as 6 is  $\frac{1}{9}$

Choose the correct answer from the options given below:

1. A and C Only
2. A and B Only
3. A, C, D Only
4. A and C Only

**Options :**

485584136037. 1  
485584136038. 2  
485584136039. 3  
485584136040. 4

Question Number : 466 Question Id : 48558434011 Question Type : MCQ Option Shuffling : No Is Question Mandatory : No Calculator : None Response Time : N.A Think Time : N.A Minimum Instruction Time : 0

Correct Marks : 5 Wrong Marks : 1

Question Key Details :

Key	Value
Comprehension	MCQ

The value of the sum of 10 term of the series

$$S_{10} = \frac{1}{2^2-1} + \frac{1}{4^2-1} + \frac{1}{6^2-1} + \dots \text{ is}$$

1.  $\frac{11}{21}$

2.  $\frac{9}{10}$

3.  $\frac{21}{10}$

4.  $\frac{10}{21}$

Options :

485584136041. 1

485584136042. 2

485584136043. 3

485584136044. 4

Question Number : 467 Question Id : 48558434012 Question Type : MCQ Option Shuffling : No Is Question Mandatory : No Calculator : None Response Time : N.A Think Time : N.A Minimum Instruction Time : 0

Correct Marks : 5 Wrong Marks : 1

Question Key Details :

Key	Value
Comprehension	MCQ

Diameter of sphere is 28 cm Find out its surface area?

1.  $2464 \text{ cm}^2$

2.  $11498 \text{ cm}^2$

3.  $2490 \text{ cm}^2$

4.  $2260 \text{ cm}^2$

Options :

485584136045. 1

485584136046. 2

485584136047. 3

485584136048. 4

Question Number : 468 Question Id : 48558434013 Question Type : MCQ Option Shuffling : No Is Question Mandatory : No Calculator : None Response Time : N.A Think Time : N.A Minimum Instruction Time : 0

Correct Marks : 5 Wrong Marks : 1

Question Key Details :

Key	Value
Comprehension	MCQ

Which two numbers are both square and cube numbers?

- 1 and 8
- 8 and 27
- 27 and 64
- 1 and 64

Options :

485584136049. 1  
485584136050. 2  
485584136051. 3  
485584136052. 4

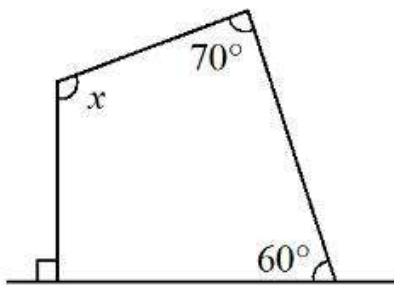
Question Number : 469 Question Id : 48558434014 Question Type : MCQ Option Shuffling : No Is Question Mandatory : No Calculator : None Response Time : N.A Think Time : N.A Minimum Instruction Time : 0

Correct Marks : 5 Wrong Marks : 1

Question Key Details :

Key	Value
Comprehension	MCQ

In the given figure the value of angle 'x' is \_\_\_\_\_



1.  $130^\circ$
2.  $120^\circ$
3.  $140^\circ$
4.  $110^\circ$

Options :

485584136053. 1  
485584136054. 2  
485584136055. 3

485584136056. 4

**Question Number : 470 Question Id : 48558434015 Question Type : MCQ Option Shuffling : No Is Question Mandatory : No Calculator : None Response Time : N.A Think Time : N.A Minimum Instruction Time : 0**

**Correct Marks : 5 Wrong Marks : 1**

**Question Key Details :**

Key	Value
Comprehension	MCQ

How many words with or without meaning, can be formed by using all the letters of the word "DELHI", using each letter exactly once?

1. 12
2. 50
3. 60
4. 10

**Options :**

- 485584136057. 1
- 485584136058. 2
- 485584136059. 3
- 485584136060. 4

**Question Number : 471 Question Id : 48558434016 Question Type : MCQ Option Shuffling : No Is Question Mandatory : No Calculator : None Response Time : N.A Think Time : N.A Minimum Instruction Time : 0**

**Correct Marks : 5 Wrong Marks : 1**

**Question Key Details :**

Key	Value
Comprehension	MCQ

If UPKAR is coded as UOQJLAQS, then the code for HONEY will be:

1. HIOMOXZA
2. GIOMEOXY
3. GIOMOEXZ
4. HIOMOEXZ

**Options :**

- 485584136061. 1
- 485584136062. 2
- 485584136063. 3
- 485584136064. 4

**Question Number : 472 Question Id : 48558434017 Question Type : MCQ Option Shuffling : No Is Question Mandatory : No Calculator : None Response Time : N.A Think Time : N.A Minimum Instruction Time : 0**

**Correct Marks : 5 Wrong Marks : 1**

**Question Key Details :**

Key	Value
-----	-------

**STATEMENT:** Covid-19 is a pandemic issue now.

**ASSUMPTIONS:**

- I. Government should work towards complete vaccination of the population.
  - II. Covid-19 upcoming variants are not fatal and should be treated as normal flu.
1. Only Assumption I is implicit
  2. Only Assumption II is implicit
  3. neither Assumption I nor Assumption II is implicit
  4. Both Assumption I and Assumption II are implicit

**Options :**

485584136065. 1
485584136066. 2
485584136067. 3
485584136068. 4

**Question Number : 473 Question Id : 48558434018 Question Type : MCQ Option Shuffling : No Is Question Mandatory : No Calculator : None Response Time : N.A Think Time : N.A Minimum Instruction Time : 0**

**Correct Marks : 5 Wrong Marks : 1**

**Question Key Details :**

Key	Value
Comprehension	MCQ

Mark the correct option based on the statement and conclusion that follows

**Statements**

- A. All states having Rain Water Harvesting face no water problem.
- B. One of the states has still not applied Rain Water Harvesting policy

**Conclusions:**

- I. It may be facing water problem
  - II. Rain Water Harvesting solve water problem.
1. Only conclusion I follows
  2. Only conclusion II follows
  3. Both conclusion I and II follows
  4. Neither conclusion I nor II follows

**Options :**

485584136069. 1

485584136070. 2  
485584136071. 3  
485584136072. 4

**Question Number : 474 Question Id : 48558434019 Question Type : MCQ Option Shuffling : No Is Question Mandatory : No Calculator : None Response Time : N.A Think Time : N.A Minimum Instruction Time : 0**

**Correct Marks : 5 Wrong Marks : 1**

**Question Key Details :**

Key	Value
Comprehension	MCQ

Identify the next number from the following series 36,40, 48, 60, 76 ?

1. 94
2. 98
3. 92
4. 96

**Options :**

485584136073. 1  
485584136074. 2  
485584136075. 3  
485584136076. 4

**Question Number : 475 Question Id : 48558434020 Question Type : MCQ Option Shuffling : No Is Question Mandatory : No Calculator : None Response Time : N.A Think Time : N.A Minimum Instruction Time : 0**

**Correct Marks : 5 Wrong Marks : 1**

**Question Key Details :**

Key	Value
Comprehension	MCQ

What will be the measurement of the angle made by the hands at 18 min past 5?

1.  $52^\circ$
2.  $51^\circ$
3.  $50^\circ$
4.  $49^\circ$

**Options :**

485584136077. 1  
485584136078. 2  
485584136079. 3  
485584136080. 4

**Question Number : 476 Question Id : 48558434021 Question Type : MCQ Option Shuffling : No Is Question Mandatory : No Calculator : None Response Time : N.A Think Time : N.A Minimum Instruction Time : 0**

**Correct Marks : 5 Wrong Marks : 1**

**Question Key Details :**

Key	Value
Comprehension	MCQ

Hear is to Deaf as Speak is to

1. Quite
2. Silent
3. Mumb or Mum
4. Dumb

**Options :**

485584136081. 1  
485584136082. 2  
485584136083. 3  
485584136084. 4

**Question Number : 477 Question Id : 48558434022 Question Type : MCQ Option Shuffling : No Is Question Mandatory : No Calculator : None Response Time : N.A Think Time : N.A Minimum Instruction Time : 0**

**Correct Marks : 5 Wrong Marks : 1**

**Question Key Details :**

Key	Value
Comprehension	MCQ

Given below are two statements: one is labelled as Assertion A and the other is labelled as Reason R.

**Assertion A :** The sun rises 2 hours later in Gujrat as compared to Arunachal Pradesh, but watches shows the same time.

**Reason R :** The longitudinal gap between Arunachal Pradesh and Gujrat is about 30 degrees but at the same time India has adopted Indian Standard time which is at 82.5° West.

In the light of the above statements, choose the most appropriate answer from the options given below:

1. Both A and R are correct and R is the correct explanation of A
2. Both A and R are correct but R is NOT the correct explanation of A
3. A is correct but R is not correct
4. A is not correct but R is correct

**Options :**

485584136085. 1  
485584136086. 2  
485584136087. 3  
485584136088. 4

**Question Number : 478 Question Id : 48558434023 Question Type : MCQ Option Shuffling : No Is Question Mandatory : No Calculator : None Response Time : N.A Think Time : N.A Minimum Instruction Time : 0**

Correct Marks : 5 Wrong Marks : 1

Question Key Details :

Key	Value
Comprehension	MCQ

K is more beautiful than B. B is not as beautiful as Y. J is not beautiful as B or Y. The least beautiful among all is:

1. B
2. Y
3. J
4. K

Options :

- 485584136089. 1
- 485584136090. 2
- 485584136091. 3
- 485584136092. 4

Question Number : 479 Question Id : 48558434024 Question Type : MCQ Option Shuffling : No Is Question Mandatory : No Calculator : None Response Time : N.A Think Time : N.A Minimum Instruction Time : 0

Correct Marks : 5 Wrong Marks : 1

Question Key Details :

Key	Value
Comprehension	MCQ

I introduced a lady "she is the mother of the only daughter of my son's father in law. how is she related to me:

- A. She is my sister
- B. She is the mother in law of my son
- C. She is my son's aunt
- D. She is the wife of my son's father in law
- E. She is my mother

Choose the correct answer from the options given below:

1. A, C, D Only
2. B, C, D Only
3. A, D, E Only
4. B, D Only

Options :

- 485584136093. 1
- 485584136094. 2
- 485584136095. 3
- 485584136096. 4

Question Number : 480 Question Id : 48558434025 Question Type : MCQ Option Shuffling : No Is Question Mandatory : No Calculator : None Response Time : N.A Think Time : N.A Minimum Instruction Time : 0



Correct Marks : 5 Wrong Marks : 1

Question Key Details :

Key	Value
Comprehension	MCQ

In the statements below study the question asked and decide which of the following statement is/are necessary to answer the question:

Find the present salary of Arvind:

- I. The salary increase every year by 15%
- II. The salary at the time of joining was ₹18,000
- III. He has joined the company exactly 10 years ago.

Which statement(s) are necessary

- 1. I and II only
- 2. II and III only
- 3. I and III only
- 4. all I, II, and III necessary

Options :

- 485584136097. 1
- 485584136098. 2
- 485584136099. 3
- 485584136100. 4

Question Number : 481 Question Id : 48558434026 Question Type : MCQ Option Shuffling : No Is Question Mandatory : No Calculator : None Response Time : N.A Think Time : N.A Minimum Instruction Time : 0

Correct Marks : 5 Wrong Marks : 1

Question Key Details :

Key	Value
Comprehension	MCQ

Which does not belong to the others

- 1. Key Board
- 2. Windows
- 3. Hard Drive
- 4. CPU

Options :

- 485584136101. 1
- 485584136102. 2
- 485584136103. 3
- 485584136104. 4

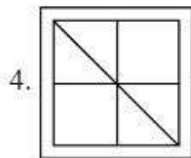
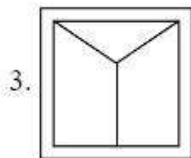
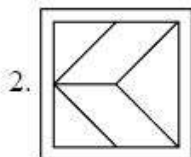
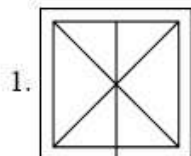
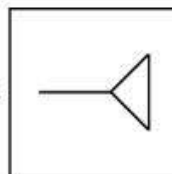
Question Number : 482 Question Id : 48558434027 Question Type : MCQ Option Shuffling : No Is Question Mandatory : No Calculator : None Response Time : N.A Think Time : N.A Minimum Instruction Time : 0

Correct Marks : 5 Wrong Marks : 1

Question Key Details :

Key	Value
Comprehension	MCQ

Find the answer figure in which question figure is imbrted



Options :

485584136105. 1

485584136106. 2

485584136107. 3

485584136108. 4

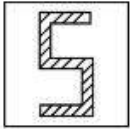
Question Number : 483 Question Id : 48558434028 Question Type : MCQ Option Shuffling : No Is Question Mandatory : No Calculator : None Response Time : N.A Think Time : N.A Minimum Instruction Time : 0

Correct Marks : 5 Wrong Marks : 1

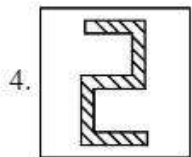
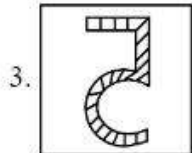
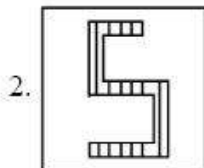
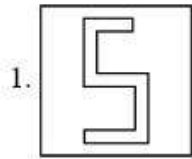
Question Key Details :

Key	Value
Comprehension	MCQ

Choose the correct mirror-image of fig(X) from amongst the four alternatives (1), (2), (3) and (4) given along with it.



(x)



**Options :**

485584136109. 1

485584136110. 2

485584136111. 3

485584136112. 4

**Question Number : 484 Question Id : 48558434029 Question Type : MCQ Option Shuffling : No Is Question Mandatory : No Calculator : None Response Time : N.A Think Time : N.A Minimum Instruction Time : 0**

**Correct Marks : 5 Wrong Marks : 1**

**Question Key Details :**

Key	Value
Comprehension	MCQ

The days before yesterday, it was monday. After 39 days, it will be

1. Wednesday

2. Sunday

3. Friday

4. Saturday

**Options :**

485584136113. 1  
485584136114. 2  
485584136115. 3  
485584136116. 4

**Question Number : 485 Question Id : 48558434030 Question Type : MCQ Option Shuffling : No Is Question Mandatory : No Calculator : None Response Time : N.A Think Time : N.A Minimum Instruction Time : 0**

**Correct Marks : 5 Wrong Marks : 1**

**Question Key Details :**

Key	Value
Comprehension	MCQ

Find missing term: P2A, S6D, ?, Y54J

1. F9U
2. V18G
3. V24G
4. V12X

**Options :**

485584136117. 1  
485584136118. 2  
485584136119. 3  
485584136120. 4

**Question Number : 486 Question Id : 48558434031 Question Type : MCQ Option Shuffling : No Is Question Mandatory : No Calculator : None Response Time : N.A Think Time : N.A Minimum Instruction Time : 0**

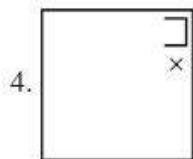
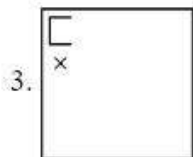
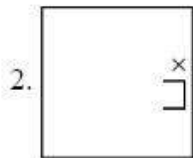
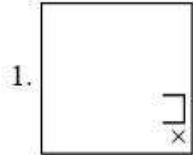
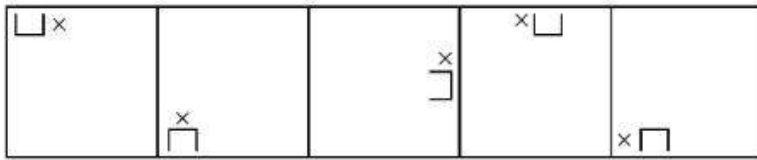
**Correct Marks : 5 Wrong Marks : 1**

**Question Key Details :**

Key	Value
Comprehension	MCQ

Choose the correct option to complete the series.

Problem figures



**Options :**

485584136121. 1

485584136122. 2

485584136123. 3

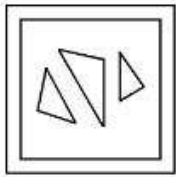
485584136124. 4

**Question Number : 487 Question Id : 48558434032 Question Type : MCQ Option Shuffling : No Is Question Mandatory : No Calculator : None Response Time : N.A Think Time : N.A Minimum Instruction Time : 0**

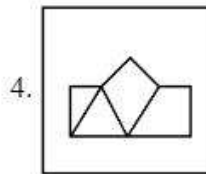
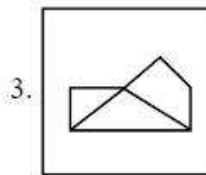
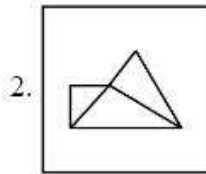
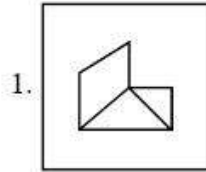
**Correct Marks : 5 Wrong Marks : 1**

**Question Key Details :**

Key	Value
Comprehension	MCQ



Choose the correct option by forming the pieces given in the above figure.



**Options :**

485584136125. 1

485584136126. 2

485584136127. 3

485584136128. 4

**Question Number : 488 Question Id : 48558434033 Question Type : MCQ Option Shuffling : No Is Question Mandatory : No Calculator : None Response Time : N.A Think Time : N.A Minimum Instruction Time : 0**

**Correct Marks : 5 Wrong Marks : 1**

**Question Key Details :**

Key	Value
Comprehension	MCQ

Following are the conditions for selection of Director in an Organisation. The candidate must

- I. Be a MBA in Marketing with 1st class securing a minimum of 65% marks
- II. Have an experience of working in related area at least two years after acquiring the desired qualification
- III. Have passed the written test with at least 60% marks.
- IV. Be not less than 40 year and not more than 50 year of age as 2.3.2020

Salman Khan is a MBA from IIM Lucknow, passed out in 2000 with 70% marks. He is working as a marketing head since July 2001. His date of birth is 25th Dec 1975. He has cleared the written test with 60% marks?

Indicate your decision by marking answers to each question as follows:

1. If the candidate is to be selected
2. If the candidate is not to be selected
3. If data is not adequate to take the decision
4. If the case is referred to the chairman

**Options :**

- 485584136129. 1
- 485584136130. 2
- 485584136131. 3
- 485584136132. 4

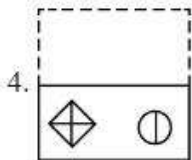
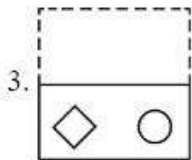
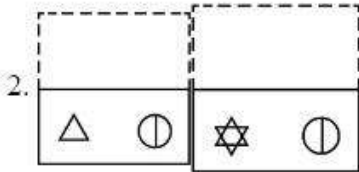
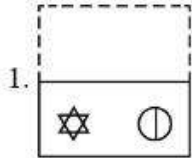
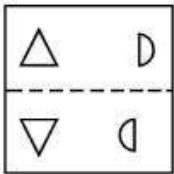
**Question Number : 489 Question Id : 48558434034 Question Type : MCQ Option Shuffling : No Is Question Mandatory : No Calculator : None Response Time : N.A Think Time : N.A Minimum Instruction Time : 0**

**Correct Marks : 5 Wrong Marks : 1**

**Question Key Details :**

Key	Value
Comprehension	MCQ

Find the figure obtained after folding the given figure along the dotted line.



**Options :**

- 485584136133. 1
- 485584136134. 2
- 485584136135. 3
- 485584136136. 4

**Question Number : 490 Question Id : 48558434035 Question Type : MCQ Option Shuffling : No Is Question Mandatory : No Calculator : None Response Time : N.A Think Time : N.A Minimum Instruction Time : 0**

**Correct Marks : 5 Wrong Marks : 1**

**Question Key Details :**

Key	Value
Comprehension	MCQ

If South-East becomes North and North-East becomes West and all the rest directions are changed in the same manner, what will the direction for the South-East?

- 1. West
- 2. North-West
- 3. North
- 4. East

**Options :**



485584136137. 1  
485584136138. 2  
485584136139. 3  
485584136140. 4

**Question Number : 491 Question Id : 48558434036 Question Type : MCQ Option Shuffling : No Is Question Mandatory : No Calculator : None Response Time : N.A Think Time : N.A Minimum Instruction Time : 0**

**Correct Marks : 5 Wrong Marks : 1**

**Question Key Details :**

Key	Value
Comprehension	MCQ

Which among the following dances is not a Martial Dance?

1. Pika
2. Gatka
3. Kathaputli
4. Choliya

**Options :**

485584136141. 1  
485584136142. 2  
485584136143. 3  
485584136144. 4

**Question Number : 492 Question Id : 48558434037 Question Type : MCQ Option Shuffling : No Is Question Mandatory : No Calculator : None Response Time : N.A Think Time : N.A Minimum Instruction Time : 0**

**Correct Marks : 5 Wrong Marks : 1**

**Question Key Details :**

Key	Value
Comprehension	MCQ

Harappan age is

1. 3,500 BC – 2,500 BC
2. 2,500 BC – 1,750 BC
3. 2,000 BC – 1,000 BC
4. 3,500 BC – 1,000 BC

**Options :**

485584136145. 1  
485584136146. 2  
485584136147. 3  
485584136148. 4

**Question Number : 493 Question Id : 48558434038 Question Type : MCQ Option Shuffling : No Is Question Mandatory : No Calculator : None Response Time : N.A Think Time : N.A Minimum Instruction Time : 0**

**Correct Marks : 5 Wrong Marks : 1**

**Question Key Details :**

Key	Value
Comprehension	MCQ

Archaeological site 'Palvai' is situated in

1. Kerala
2. Andhra Pradesh
3. Karnataka
4. Tamil Nadu

**Options :**

485584136149. 1  
485584136150. 2  
485584136151. 3  
485584136152. 4

**Question Number : 494 Question Id : 48558434039 Question Type : MCQ Option Shuffling : No Is Question Mandatory : No Calculator : None Response Time : N.A Think Time : N.A Minimum Instruction Time : 0**

**Correct Marks : 5 Wrong Marks : 1**

**Question Key Details :**

Key	Value
Comprehension	MCQ

There are 4 electric bulb of 50W (each) is used for 5 hour per day. Calculate the energy consumed in the month of January.

1. 31 Kwh
2. 31 Joulr
3.  $3.6 \times 10^6$  J
4.  $31 \times 3.6 \times 10^6$  J Kwh

**Options :**

485584136153. 1  
485584136154. 2  
485584136155. 3  
485584136156. 4

**Question Number : 495 Question Id : 48558434040 Question Type : MCQ Option Shuffling : No Is Question Mandatory : No Calculator : None Response Time : N.A Think Time : N.A Minimum Instruction Time : 0**

**Correct Marks : 5 Wrong Marks : 1**

**Question Key Details :**

Key	Value
Comprehension	MCQ

Which of the following is an example of an Emulsion?

1. Fog
2. Clouds
3. Mist
4. Milk

**Options :**

485584136157. 1  
485584136158. 2  
485584136159. 3  
485584136160. 4

**Question Number : 496 Question Id : 48558434041 Question Type : MCQ Option Shuffling : No Is Question Mandatory : No Calculator : None Response Time : N.A Think Time : N.A Minimum Instruction Time : 0**

**Correct Marks : 5 Wrong Marks : 1**

**Question Key Details :**

Key	Value
Comprehension	MCQ

Which statements are true about Phylum Arthropoda?

- A. Body is divided into one part.
- B. Body is divided into two parts.
- C. Body is divided into three parts.
- D. Joinedleg
- E. Circulatory system is of close type.

Choose the correct answer from the options given below:

1. A and B only
2. B and C only
3. D and E only
4. C and D only

**Options :**

485584136161. 1  
485584136162. 2  
485584136163. 3  
485584136164. 4

**Question Number : 497 Question Id : 48558434042 Question Type : MCQ Option Shuffling : No Is Question Mandatory : No Calculator : None Response Time : N.A Think Time : N.A Minimum Instruction Time : 0**

**Correct Marks : 5 Wrong Marks : 1**

**Question Key Details :**

Key	Value
Comprehension	MCQ

Who was invented Universal Serial Bus (USB)?

1. Ajay Sood
2. Ajay Bhatt
3. M.S. Swaminathan
4. Gagan B. Mohanthy

**Options :**

485584136165. 1  
485584136166. 2  
485584136167. 3  
485584136168. 4

**Question Number : 498 Question Id : 48558434043 Question Type : MCQ Option Shuffling : No Is Question Mandatory : No Calculator : None Response Time : N.A Think Time : N.A Minimum Instruction Time : 0**

**Correct Marks : 5 Wrong Marks : 1**

**Question Key Details :**

Key	Value
Comprehension	MCQ

Where was Commonwealth Games 2022 held?

1. London
2. Canberra
3. Brimingham
4. Manchester

**Options :**

485584136169. 1  
485584136170. 2  
485584136171. 3  
485584136172. 4

**Question Number : 499 Question Id : 48558434044 Question Type : MCQ Option Shuffling : No Is Question Mandatory : No Calculator : None Response Time : N.A Think Time : N.A Minimum Instruction Time : 0**

**Correct Marks : 5 Wrong Marks : 1**

**Question Key Details :**

Key	Value
Comprehension	MCQ

Which states women's U-18 team won the Khelo India Youth Games 2022?

1. Kerala
2. Punjab
3. Tamil Nadu
4. Haryana

**Options :**

485584136173. 1  
485584136174. 2  
485584136175. 3  
485584136176. 4

**Question Number : 500 Question Id : 48558434045 Question Type : MCQ Option Shuffling : No Is Question Mandatory : No Calculator : None Response Time : N.A Think Time : N.A Minimum Instruction Time : 0**

**Correct Marks : 5 Wrong Marks : 1**

**Question Key Details :**

Key	Value
Comprehension	MCQ

India has been building the sea-port of Chabahar port for which of these West Asian country:

1. Iraq
2. Iran
3. UAE
4. Oman

**Options :**

485584136177. 1  
485584136178. 2  
485584136179. 3  
485584136180. 4

**Question Number : 501 Question Id : 48558434046 Question Type : MCQ Option Shuffling : No Is Question Mandatory : No Calculator : None Response Time : N.A Think Time : N.A Minimum Instruction Time : 0**

**Correct Marks : 5 Wrong Marks : 1**

**Question Key Details :**

Key	Value
Comprehension	MCQ

Recently, whom of Indian origin has become the new prime minister of Britain?

1. Dilip Boland
2. Rajesh David
3. Rishi Sunak
4. Aman Panda

**Options :**

485584136181. 1  
485584136182. 2  
485584136183. 3  
485584136184. 4

**Question Number : 502 Question Id : 48558434047 Question Type : MCQ Option Shuffling : No Is Question Mandatory : No Calculator : None Response Time : N.A Think Time : N.A Minimum Instruction Time : 0**

**Correct Marks : 5 Wrong Marks : 1**

**Question Key Details :**

Key	Value
Comprehension	MCQ

Which team has won the 2022 Women's Pan American Cup Field Hockey Tournament?

1. Netherland
2. Argentina
3. South Korea
4. Malaysia

**Options :**

485584136185. 1  
485584136186. 2  
485584136187. 3  
485584136188. 4

**Question Number : 503 Question Id : 48558434048 Question Type : MCQ Option Shuffling : No Is Question Mandatory : No Calculator : None Response Time : N.A Think Time : N.A Minimum Instruction Time : 0**

**Correct Marks : 5 Wrong Marks : 1**

**Question Key Details :**

Key	Value
Comprehension	MCQ

Name the longest river of the world?

1. Nile
2. Ganga
3. Amazon
4. Yangtze river

**Options :**

485584136189. 1  
485584136190. 2  
485584136191. 3  
485584136192. 4

**Question Number : 504 Question Id : 48558434049 Question Type : MCQ Option Shuffling : No Is Question Mandatory : No Calculator : None Response Time : N.A Think Time : N.A Minimum Instruction Time : 0**

**Correct Marks : 5 Wrong Marks : 1**

**Question Key Details :**

Key	Value
Comprehension	MCQ

Which is the highest Peak of the Pennisulan Plateau of India?

1. Dodda betha
2. Mullayanagiri
3. Agasthyamala
4. Anamudi

**Options :**

485584136193. 1  
485584136194. 2  
485584136195. 3  
485584136196. 4

**Question Number : 505 Question Id : 48558434050 Question Type : MCQ Option Shuffling : No Is Question Mandatory : No Calculator : None Response Time : N.A Think Time : N.A Minimum Instruction Time : 0**

**Correct Marks : 5 Wrong Marks : 1**

**Question Key Details :**

Key	Value
Comprehension	MCQ

On which date is the shortest day of the year in the northern Hemisphere?

1. 22 June
2. 21 June
3. 22 December
4. 26 December

**Options :**

485584136197. 1  
485584136198. 2  
485584136199. 3  
485584136200. 4

**Question Number : 506 Question Id : 48558434051 Question Type : MCQ Option Shuffling : No Is Question Mandatory : No Calculator : None Response Time : N.A Think Time : N.A Minimum Instruction Time : 0**

**Correct Marks : 5 Wrong Marks : 1**

**Question Key Details :**

Key	Value
Comprehension	MCQ

Criminal Identification Bill has been passed by President in April 2022. The Bill (or Act)

- A. Empowers police to obtain physical and biological samples of convicts and those accused of crimes.
- B. Empowers police to order measurement of photographs of a person to aid the investigation of offence.
- C. Explains the data to be collected.
- D. Provides the data to be stored in a Central database.

Choose the correct answer from the options given below:

1. C, A and B only
2. A, C and D only
3. B, A and D only
4. A, B and D only

**Options :**

485584136201. 1  
485584136202. 2  
485584136203. 3  
485584136204. 4

**Question Number : 507 Question Id : 48558434052 Question Type : MCQ Option Shuffling : No Is Question Mandatory : No Calculator : None Response Time : N.A Think Time : N.A Minimum Instruction Time : 0**

**Correct Marks : 5 Wrong Marks : 1**

**Question Key Details :**

Key	Value
Comprehension	MCQ



What growth rate The Economic Survey 2021-22 had projected for the financial year ending March 2023?

1. 8.5-9%
2. 8-8.5%
3. 10-11%
4. 7-7.5%

**Options :**

485584136205. 1  
485584136206. 2  
485584136207. 3  
485584136208. 4

**Question Number : 508 Question Id : 48558434053 Question Type : MCQ Option Shuffling : No Is Question Mandatory : No Calculator : None Response Time : N.A Think Time : N.A Minimum Instruction Time : 0**

**Correct Marks : 5 Wrong Marks : 1**

**Question Key Details :**

Key	Value
Comprehension	MCQ

Which English writer has been awarded the Tata Literature Lifetime Achievement Award?

1. Arundhati Roy
2. Vikram Seth
3. Ruskin Bond
4. Prof. Shorad Pagadey

**Options :**

485584136209. 1  
485584136210. 2  
485584136211. 3  
485584136212. 4

**Question Number : 509 Question Id : 48558434054 Question Type : MCQ Option Shuffling : No Is Question Mandatory : No Calculator : None Response Time : N.A Think Time : N.A Minimum Instruction Time : 0**

**Correct Marks : 5 Wrong Marks : 1**

**Question Key Details :**

Key	Value
Comprehension	MCQ

Match List I with List II

LIST I Satellite		LIST II Launch Date	
A.	Aryabhata	I.	2008
B.	Mangalyaan	II.	1975
C.	Chandrayaan - I	III.	2017
D.	IRNAA-1H Mission	IV.	2013

Choose the correct answer from the options given below:

1. A-II, B-IV, C-I, D-III
2. A-I, B-II, C-III, D-IV
3. A-IV, B-III, C-II, D-I
4. A-IV, B-II, C-III, D-I

**Options :**

485584136213. 1  
485584136214. 2  
485584136215. 3  
485584136216. 4

**Question Number : 510 Question Id : 48558434055 Question Type : MCQ Option Shuffling : No Is Question Mandatory : No Calculator : None Response Time : N.A Think Time : N.A Minimum Instruction Time : 0**

**Correct Marks : 5 Wrong Marks : 1**

**Question Key Details :**

Key	Value
Comprehension	MCQ

Formal source of credit for an individual does not include:

1. Cooperatives
2. Banks
3. MUDRA Bank
4. RBI

**Options :**

485584136217. 1  
485584136218. 2  
485584136219. 3  
485584136220. 4