

National Testing Agency

Question Paper Name : 18S3
Subject Name : 18Jun2023 Shift3 Subject Combination 1
Creation Date : 2023-06-18 22:37:53
Duration : 690
Total Marks : 3050
Display Marks: Yes

English

Group Number : 1
Group Id : 485584768
Group Maximum Duration : 45
Group Minimum Duration : 45
Show Attended Group? : No
Edit Attended Group? : No
Break time : 0
Group Marks : 200
Is this Group for Examiner? : No
Examiner permission : Cant View
Show Progress Bar? : No

English

Section Id : 485584886
Section Number : 1
Section type : Online
Mandatory or Optional : Mandatory
Number of Questions : 50
Number of Questions to be attempted : 40
Section Marks : 200
Enable Mark as Answered Mark for Review and Clear Response : Yes
Maximum Instruction Time : 0
Sub-Section Number : 1
Sub-Section Id : 4855842506
Question Shuffling Allowed : No
Is Section Default? : null

Question Number : 1 Question Id : 48558433946 Question Type : MCQ Option Shuffling : No Is Question Mandatory : No Calculator : None Response Time : N.A Think Time : N.A Minimum Instruction Time : 0

Correct Marks : 5 Wrong Marks : 1

Question Key Details :

Key	Value
Comprehension	Comp1

Read the following literary passage. Answer Questions:-

No Man is an Island

No man is an island,
Entire of itself,
Every man is a piece of the continent,
A part of the main,
if a clod be washed away by the sea,
Europe is the less.
As well as if a promontory were,
As well as if a manor of the friend's
Or of thine own were:
Any man's death diminishes me,
Because I am involved in mankind,
and therefore never send to know for whom the bell tolls;
It tolls for thee.

What is the essential idea of the passage?

1. The passage signifies a connection between all of humankind.
2. The passage signifies that all aquatic animals are connected.
3. The poet is uninvolved in mankind.
4. The poet wants to live in an island.

Options :

- 485584135781. 1
- 485584135782. 2
- 485584135783. 3
- 485584135784. 4

Question Number : 2 Question Id : 48558433947 Question Type : MCQ Option Shuffling : No Is Question Mandatory : No Calculator : None Response Time : N.A Think Time : N.A Minimum Instruction Time : 0

Correct Marks : 5 Wrong Marks : 1

Question Key Details :

Key	Value
Comprehension	Comp1

Read the following literary passage. Answer Questions:-

No Man is an Island

No man is an island,
Entire of itself,
Every man is a piece of the continent,
A part of the main,
if a clod be washed away by the sea,
Europe is the less.
As well as if a promontory were,
As well as if a manor of the friend's
Or of thine own were:
Any man's death diminishes me,
Because I am involved in mankind,
and therefore never send to know for whom the bell tolls;
It tolls for thee.

What is the meaning of the word 'clod'?

1. A ship
2. A child
3. Jellyfish
4. A lump of earth or clay

Options :

- 485584135785. 1
- 485584135786. 2
- 485584135787. 3
- 485584135788. 4

Question Number : 3 Question Id : 48558433948 Question Type : MCQ Option Shuffling : No Is Question Mandatory : No Calculator : None Response Time : N.A Think Time : N.A Minimum Instruction Time : 0

Correct Marks : 5 Wrong Marks : 1

Question Key Details :

Key	Value
Comprehension	Comp1

Read the following literary passage. Answer Questions:-

No Man is an Island

No man is an island,
Entire of itself,
Every man is a piece of the continent,
A part of the main,
if a clod be washed away by the sea,
Europe is the less.
As well as if a promontory were,
As well as if a manor of the friend's
Or of thine own were:
Any man's death diminishes me,
Because I am involved in mankind,
and therefore never send to know for whom the bell tolls;
It tolls for thee.

What is the name of the poetic device when there is a repetition of words/phrases at the beginning of successive lines?

- 1. Metaphor
- 2. Simili
- 3. Anaphora
- 4. Hyperbole

Options :

- 485584135789. 1
- 485584135790. 2
- 485584135791. 3
- 485584135792. 4

Question Number : 4 Question Id : 48558433949 Question Type : MCQ Option Shuffling : No Is Question Mandatory : No Calculator : None Response Time : N.A Think Time : N.A Minimum Instruction Time : 0

Correct Marks : 5 Wrong Marks : 1

Question Key Details :

Key	Value
Comprehension	Comp1

Read the following literary passage. Answer Questions:-

No Man is an Island

No man is an island,
Entire of itself,
Every man is a piece of the continent,
A part of the main,
if a clod be washed away by the sea,
Europe is the less.
As well as if a promontory were,
As well as if a manor of the friend's
Or of thine own were:
Any man's death diminishes me,
Because I am involved in mankind,
and therefore never send to know for whom the bell tolls;
It tolls for thee.

What does the clause "for whom the bell tolls" entail?

1. The arrival of a guest
2. The arrival of death
3. The Sunday church mass
4. Time to Pray

Options :

- 485584135793. 1
- 485584135794. 2
- 485584135795. 3
- 485584135796. 4

Question Number : 5 Question Id : 48558433950 Question Type : MCQ Option Shuffling : No Is Question Mandatory : No Calculator : None Response Time : N.A Think Time : N.A Minimum Instruction Time : 0

Correct Marks : 5 Wrong Marks : 1

Question Key Details :

Key	Value
Comprehension	Comp1

Read the following literary passage. Answer Questions:-

No Man is an Island

No man is an island,
Entire of itself,
Every man is a piece of the continent,
A part of the main,
if a clod be washed away by the sea,
Europe is the less.
As well as if a promontory were,
As well as if a manor of the friend's
Or of thine own were:
Any man's death diminishes me,
Because I am involved in mankind,
and therefore never send to know for whom the bell tolls;
It tolls for thee.

'No man is an Island' signifies that-

1. No man stands in isolation
2. All of humanity is connected
3. No man exists as a landmass
4. No island is inhabited by men

Options :

- 485584135797. 1
- 485584135798. 2
- 485584135799. 3
- 485584135800. 4

Sub-Section Number : 2
Sub-Section Id : 4855842507
Question Shuffling Allowed : No
Is Section Default? : null

Question Number : 6 Question Id : 48558433951 Question Type : MCQ Option Shuffling : No Is Question Mandatory : No Calculator : None Response Time : N.A Think Time : N.A Minimum Instruction Time : 0

Correct Marks : 5 Wrong Marks : 1

Question Key Details :

Key	Value
Comprehension	Comp2

Read the passage and answer the question:

This is an age-old tale. A mother and her daughter Satto, lived in a village. During that time, the forests were full of fruits and flowers. The women and girls of the village used to go and pluck these fruits and flowers. All of them used to pluck the sweet flowers of the *mahua* (*Bassia Latifolia*) tree, stored them at home and consumed them later.

One day, all of them plucked the sweet flowers and kept them in their rooms without drying them. Satto's mother was not at home. Satto dried the sweet flowers. As the flowers dried, they shrunk. Later on when Satto's mother came home, she found very little flowers and thought that either Satto had eaten the flowers or she had given them to the village girls. In her blind rage, she beat her daughter to death. The women and girls of the village told her that she killed her daughter for such a trivial issue. They asked her to soak the flowers in water. When she soaked the *mahuas*, they swelled up and the entire room was filled with the flowers. Satto's mother was full of remorse. She regretted the fact that she killed her daughter without thinking. She died because of grief.

She was reborn as the *pandak* bird. The *pandak* bird still sings this song-

'Daughter Satto, the *mahuas* were in proper quantity...'

According to the passage, What kind of tale is the translated story?

1. Fairy tale
2. Modern tale
3. Age-old tale
4. Disney tale

Options :

485584135801. 1

485584135802. 2

485584135803. 3

485584135804. 4

Question Number : 7 Question Id : 48558433952 Question Type : MCQ Option Shuffling : No Is Question Mandatory :

No Calculator : None Response Time : N.A Think Time : N.A Minimum Instruction Time : 0

Correct Marks : 5 Wrong Marks : 1

Question Key Details :

Key	Value
Comprehension	Comp2

Read the passage and answer the question:

This is an age-old tale. A mother and her daughter Satto, lived in a village. During that time, the forests were full of fruits and flowers. The women and girls of the village used to go and pluck these fruits and flowers. All of them used to pluck the sweet flowers of the *mahua* (*Bassia Latifolia*) tree, stored them at home and consumed them later.

One day, all of them plucked the sweet flowers and kept them in their rooms without drying them. Satto's mother was not at home. Satto dried the sweet flowers. As the flowers dried, they shrunk. Later on when Satto's mother came home, she found very little flowers and thought that either Satto had eaten the flowers or she had given them to the village girls. In her blind rage, she beat her daughter to death. The women and girls of the village told her that she killed her daughter for such a trivial issue. They asked her to soak the flowers in water. When she soaked the *mahuas*, they swelled up and the entire room was filled with the flowers. Satto's mother was full of remorse. She regretted the fact that she killed her daughter without thinking. She died because of grief.

She was reborn as the *pandak* bird. The *pandak* bird still sings this song-

'Daughter Satto, the *mahuas* were in proper quantity...'

The antonym of the word 'remorse' is:

1. Regret
2. Rejoice
3. Repentance
4. Grief

Options :

- 485584135805. 1
- 485584135806. 2
- 485584135807. 3
- 485584135808. 4

Question Number : 8 Question Id : 48558433953 Question Type : MCQ Option Shuffling : No Is Question Mandatory : No Calculator : None Response Time : N.A Think Time : N.A Minimum Instruction Time : 0

Correct Marks : 5 Wrong Marks : 1

Question Key Details :

Key	Value
Comprehension	Comp2

Read the passage and answer the question:

This is an age-old tale. A mother and her daughter Satto, lived in a village. During that time, the forests were full of fruits and flowers. The women and girls of the village used to go and pluck these fruits and flowers. All of them used to pluck the sweet flowers of the *mahua* (*Bassia Latifolia*) tree, stored them at home and consumed them later.

One day, all of them plucked the sweet flowers and kept them in their rooms without drying them. Satto's mother was not at home. Satto dried the sweet flowers. As the flowers dried, they shrunk. Later on when Satto's mother came home, she found very little flowers and thought that either Satto had eaten the flowers or she had given them to the village girls. In her blind rage, she beat her daughter to death. The women and girls of the village told her that she killed her daughter for such a trivial issue. They asked her to soak the flowers in water. When she soaked the *mahuas*, they swelled up and the entire room was filled with the flowers. Satto's mother was full of remorse. She regretted the fact that she killed her daughter without thinking. She died because of grief.

She was reborn as the *pandak* bird. The *pandak* bird still sings this song-

'Daughter Satto, the *mahuas* were in proper quantity...'

As per the given passage, what was the mother reborn as?

1. an animal
2. a man
3. a woman
4. a bird

Options :

- 485584135809. 1
- 485584135810. 2
- 485584135811. 3
- 485584135812. 4

Question Number : 9 Question Id : 48558433954 Question Type : MCQ Option Shuffling : No Is Question Mandatory : No Calculator : None Response Time : N.A Think Time : N.A Minimum Instruction Time : 0

Correct Marks : 5 Wrong Marks : 1

Question Key Details :

Key	Value
Comprehension	Comp2

Read the passage and answer the question:

This is an age-old tale. A mother and her daughter Satto, lived in a village. During that time, the forests were full of fruits and flowers. The women and girls of the village used to go and pluck these fruits and flowers. All of them used to pluck the sweet flowers of the *mahua* (*Bassia Latifolia*) tree, stored them at home and consumed them later.

One day, all of them plucked the sweet flowers and kept them in their rooms without drying them. Satto's mother was not at home. Satto dried the sweet flowers. As the flowers dried, they shrunk. Later on when Satto's mother came home, she found very little flowers and thought that either Satto had eaten the flowers or she had given them to the village girls. In her blind rage, she beat her daughter to death. The women and girls of the village told her that she killed her daughter for such a trivial issue. They asked her to soak the flowers in water. When she soaked the *mahuas*, they swelled up and the entire room was filled with the flowers. Satto's mother was full of remorse. She regretted the fact that she killed her daughter without thinking. She died because of grief.

She was reborn as the *pandak* bird. The *pandak* bird still sings this song-

'Daughter Satto, the *mahuas* were in proper quantity...'

Why did the mother beat the daughter to death?

1. Because she went to pluck fruits and flowers without telling her.
2. Because Satto did not dry the flowers.
3. Because she thought Satto had eaten the flowers or given them to the village girls.
4. Because she was evil.

Options :

- 485584135813. 1
- 485584135814. 2
- 485584135815. 3
- 485584135816. 4

Question Number : 10 Question Id : 48558433955 Question Type : MCQ Option Shuffling : No Is Question Mandatory : No Calculator : None Response Time : N.A Think Time : N.A Minimum Instruction Time : 0

Correct Marks : 5 Wrong Marks : 1

Question Key Details :

Key	Value
Comprehension	Comp2

Read the passage and answer the question:

This is an age-old tale. A mother and her daughter Satto, lived in a village. During that time, the forests were full of fruits and flowers. The women and girls of the village used to go and pluck these fruits and flowers. All of them used to pluck the sweet flowers of the *mahua* (*Bassia Latifolia*) tree, stored them at home and consumed them later.

One day, all of them plucked the sweet flowers and kept them in their rooms without drying them. Satto's mother was not at home. Satto dried the sweet flowers. As the flowers dried, they shrunk. Later on when Satto's mother came home, she found very little flowers and thought that either Satto had eaten the flowers or she had given them to the village girls. In her blind rage, she beat her daughter to death. The women and girls of the village told her that she killed her daughter for such a trivial issue. They asked her to soak the flowers in water. When she soaked the *mahuas*, they swelled up and the entire room was filled with the flowers. Satto's mother was full of remorse. She regretted the fact that she killed her daughter without thinking. She died because of grief.

She was reborn as the *pandak* bird. The *pandak* bird still sings this song-

'Daughter Satto, the *mahuas* were in proper quantity...'

What happened Satto's mother soaked the flowers in water?

1. The entire room was filled with flowers as they soaked up
2. Satto came back to life
3. The flowers dissolved in water
4. The entire room was full of water

Options :

- 485584135817. 1
- 485584135818. 2
- 485584135819. 3
- 485584135820. 4

Sub-Section Number : 3
Sub-Section Id : 4855842508
Question Shuffling Allowed : No
Is Section Default? : null

Question Number : 11 Question Id : 48558433956 Question Type : MCQ Option Shuffling : No Is Question Mandatory : No Calculator : None Response Time : N.A Think Time : N.A Minimum Instruction Time : 0

Correct Marks : 5 Wrong Marks : 1

Question Key Details :

Key	Value
Comprehension	Comp3

Once I was an archaeologist's assistant. I wandered up and down the country probing, exploring, and digging, in search of antiquities, a most interesting occupation, although cynics sometimes called us "grave-diggers." I enjoyed the work immensely. I had a master who was a famous archaeologist called Doctor something or other. He was superb, timeless being, who lived a thousand years behind the times, and who wanted neither food nor roof nor riches if only he was allowed to gaze on undisturbed at an old coin or chip of a burial urn.

He had torn up the earth in almost all parts of India and had brought to light very valuable information concerning the history and outlook of people of remote centuries. His monographs on each of his excavations filled several shelves in all the important libraries. And then, as our good fortune would have it, he received an inspiration that Malgudi district was eminently diggable. I am not competent to explain how he got this idea, but there it was. Word was brought to me that the great man was staying in the dak bungalow and was in need of an assistant. Within an hour of hearing it I stood before the great man. He was sitting on the floor with the most crazy collection of articles in front of him pots and beads and useless coins and palm leaves, all of them rusty and decaying. he had a lens by his side, through which he looked at these articles and made notes.

What does the branch of archaeology study?

1. Study of Soil
2. Study of past by excavating ground
3. Study of medicine
4. Study of minerals

Options :

- 485584135821. 1
- 485584135822. 2
- 485584135823. 3
- 485584135824. 4

Question Number : 12 Question Id : 48558433957 Question Type : MCQ Option Shuffling : No Is Question Mandatory : No Calculator : None Response Time : N.A Think Time : N.A Minimum Instruction Time : 0

Correct Marks : 5 Wrong Marks : 1

Question Key Details :

Key	Value
Comprehension	Comp3

Once I was an archaeologist's assistant. I wandered up and down the country probing, exploring, and digging, in search of antiquities, a most interesting occupation, although cynics sometimes called us "grave-diggers." I enjoyed the work immensely. I had a master who was a famous archaeologist called Doctor something or other. He was superb, timeless being, who lived a thousand years behind the times, and who wanted neither food nor roof nor riches if only he was allowed to gaze on undisturbed at an old coin or chip of a burial urn.

He had torn up the earth in almost all parts of India and had brought to light very valuable information concerning the history and outlook of people of remote centuries. His monographs on each of his excavations filled several shelves in all the important libraries. And then, as our good fortune would have it, he received an inspiration that Malgudi district was eminently diggable. I am not competent to explain how he got this idea, but there it was. Word was brought to me that the great man was staying in the dak bungalow and was in need of an assistant. Within an hour of hearing it I stood before the great man. He was sitting on the floor with the most crazy collection of articles in front of him pots and beads and useless coins and palm leaves, all of them rusty and decaying. he had a lens by his side, through which he looked at these articles and made notes.

Match List I with List II

LIST I		LIST II	
A.	The archaeologist had keen interest in	I.	all the important libraries
B.	The archaeologist was in need of	II.	almost all parts of India
C.	His monographs on excavations filled in	III.	old coin or chip of a burial urn
D.	The archaeologist had worked in	IV.	an assitant

Choose the correct answer from the options given below:

1. A-II, B-III, C-IV, D-I
2. A-III, B-IV, C-I, D-II
3. A-IV, B-III, C-II, D-I
4. A-I, B-III, C-II, D-IV

Options :

- 485584135825. 1
- 485584135826. 2
- 485584135827. 3
- 485584135828. 4

Question Number : 13 Question Id : 48558433958 Question Type : MCQ Option Shuffling : No Is Question Mandatory : No Calculator : None Response Time : N.A Think Time : N.A Minimum Instruction Time : 0

Correct Marks : 5 Wrong Marks : 1

Question Key Details :

Key	Value
Comprehension	Comp3

Once I was an archaeologist's assistant. I wandered up and down the country probing, exploring, and digging, in search of antiquities, a most interesting occupation, although cynics sometimes called us "grave-diggers." I enjoyed the work immensely. I had a master who was a famous archaeologist called Doctor something or other. He was superb, timeless being, who lived a thousand years behind the times, and who wanted neither food nor roof nor riches if only he was allowed to gaze on undisturbed at an old coin or chip of a burial urn.

He had torn up the earth in almost all parts of India and had brought to light very valuable information concerning the history and outlook of people of remote centuries. His monographs on each of his excavations filled several shelves in all the important libraries. And then, as our good fortune would have it, he received an inspiration that Malgudi district was eminently diggable. I am not competent to explain how he got this idea, but there it was. Word was brought to me that the great man was staying in the dark bungalow and was in need of an assistant. Within an hour of hearing it I stood before the great man. He was sitting on the floor with the most crazy collection of articles in front of him pots and beads and useless coins and palm leaves, all of them rusty and decaying. He had a lens by his side, through which he looked at these articles and made notes.

In which place did the archaeologist suddenly take interest?

1. Dark bungalow
2. Indian villages
3. Malgudi
4. Tamil Nadu

Options :

- 485584135829. 1
- 485584135830. 2
- 485584135831. 3
- 485584135832. 4

Question Number : 14 Question Id : 48558433959 Question Type : MCQ Option Shuffling : No Is Question Mandatory : No Calculator : None Response Time : N.A Think Time : N.A Minimum Instruction Time : 0

Correct Marks : 5 Wrong Marks : 1

Question Key Details :

Key	Value
Comprehension	Comp3

Once I was an archaeologist's assistant. I wandered up and down the country probing, exploring, and digging, in search of antiquities, a most interesting occupation, although cynics sometimes called us "grave-diggers." I enjoyed the work immensely. I had a master who was a famous archaeologist called Doctor something or other. He was superb, timeless being, who lived a thousand years behind the times, and who wanted neither food nor roof nor riches if only he was allowed to gaze on undisturbed at an old coin or chip of a burial urn.

He had torn up the earth in almost all parts of India and had brought to light very valuable information concerning the history and outlook of people of remote centuries. His monographs on each of his excavations filled several shelves in all the important libraries. And then, as our good fortune would have it, he received an inspiration that Malgudi district was eminently diggable. I am not competent to explain how he got this idea, but there it was. Word was brought to me that the great man was staying in the dak bungalow and was in need of an assistant. Within an hour of hearing it I stood before the great man. He was sitting on the floor with the most crazy collection of articles in front of him pots and beads and useless coins and palm leaves, all of them rusty and decaying. he had a lens by his side, through which he looked at these articles and made notes.

How do cynics called archaeologists 'grave-diggers'?

1. Mockingly
2. Proudly
3. Admirably
4. Sincerely

Options :

- 485584135833. 1
- 485584135834. 2
- 485584135835. 3
- 485584135836. 4

Question Number : 15 Question Id : 48558433960 Question Type : MCQ Option Shuffling : No Is Question Mandatory : No Calculator : None Response Time : N.A Think Time : N.A Minimum Instruction Time : 0

Correct Marks : 5 Wrong Marks : 1

Question Key Details :

Key	Value
Comprehension	Comp3

Once I was an archaeologist's assistant. I wandered up and down the country probing, exploring, and digging, in search of antiquities, a most interesting occupation, although cynics sometimes called us "grave-diggers." I enjoyed the work immensely. I had a master who was a famous archaeologist called Doctor something or other. He was superb, timeless being, who lived a thousand years behind the times, and who wanted neither food nor roof nor riches if only he was allowed to gaze on undisturbed at an old coin or chip of a burial urn.

He had torn up the earth in almost all parts of India and had brought to light very valuable information concerning the history and outlook of people of remote centuries. His monographs on each of his excavations filled several shelves in all the important libraries. And then, as our good fortune would have it, he received an inspiration that Malgudi district was eminently diggable. I am not competent to explain how he got this idea, but there it was. Word was brought to me that the great man was staying in the dak bungalow and was in need of an assistant. Within an hour of hearing it I stood before the great man. He was sitting on the floor with the most crazy collection of articles in front of him pots and beads and useless coins and palm leaves, all of them rusty and decaying. he had a lens by his side, through which he looked at these articles and made notes.

How do you know the archaeologist is an eminent figure?

1. He looked at old artifacts
2. His important monographs are in all reputed libraries
3. He needs an assistant
4. He used lens to inspect articles

Options :

- 485584135837. 1
- 485584135838. 2
- 485584135839. 3
- 485584135840. 4

Sub-Section Number : 4
Sub-Section Id : 4855842509
Question Shuffling Allowed : Yes
Is Section Default? : null

Question Number : 16 Question Id : 48558433961 Question Type : MCQ Option Shuffling : No Is Question Mandatory : No Calculator : None Response Time : N.A Think Time : N.A Minimum Instruction Time : 0

Correct Marks : 5 Wrong Marks : 1

Question Key Details :

Key	Value
Comprehension	MCQ

Convert the following sentence in Passive Voice by choosing the appropriate answer from the given list.

The soldiers promptly obeyed his command.

1. The command should be obeyed might now, soldiers.
2. The command was promptly obeyed by the soldiers.
3. Obey the command promptly soldiers!
4. The command is promptly obeyed by the soldiers.

Options :

- 485584135841. 1
- 485584135842. 2
- 485584135843. 3
- 485584135844. 4

Question Number : 17 Question Id : 48558433962 Question Type : MCQ Option Shuffling : No Is Question Mandatory : No Calculator : None Response Time : N.A Think Time : N.A Minimum Instruction Time : 0

Correct Marks : 5 Wrong Marks : 1

Question Key Details :

Key	Value
Comprehension	MCQ

Change the following Passive Voice to Active Voice by choosing the right answer from the given list.

'Somebody has invited them to lunch tomorrow'.

1. They have been invited to lunch by somebody tomorrow
2. They will go to lunch somebody's house the following day.
3. They have been invited to lunch tomorrow
4. They will be invited to lunch the next day.

Options :

- 485584135845. 1
- 485584135846. 2
- 485584135847. 3
- 485584135848. 4

Question Number : 18 Question Id : 48558433963 Question Type : MCQ Option Shuffling : No Is Question Mandatory : No Calculator : None Response Time : N.A Think Time : N.A Minimum Instruction Time : 0

Correct Marks : 5 Wrong Marks : 1

Question Key Details :

Key	Value
Comprehension	MCQ

Fill in the blank with an appropriate question tag:

Let's go to the beach, _____?

1. Can we?
2. Should we?
3. Can't we?
4. Shall we?

Options :

485584135849. 1
485584135850. 2
485584135851. 3
485584135852. 4

Question Number : 19 Question Id : 48558433964 Question Type : MCQ Option Shuffling : No Is Question Mandatory : No Calculator : None Response Time : N.A Think Time : N.A Minimum Instruction Time : 0

Correct Marks : 5 Wrong Marks : 1

Question Key Details :

Key	Value
Comprehension	MCQ

From the given options, choose the appropriate meaning of the following phrase.

"AB INITIO".

1. at the end
2. from the beginning
3. to go to the gym
4. entry into a cult

Options :

485584135853. 1
485584135854. 2
485584135855. 3
485584135856. 4

Question Number : 20 Question Id : 48558433965 Question Type : MCQ Option Shuffling : No Is Question Mandatory : No Calculator : None Response Time : N.A Think Time : N.A Minimum Instruction Time : 0

Correct Marks : 5 Wrong Marks : 1

Question Key Details :

Key	Value
Comprehension	MCQ

From the given options, choose the meaning for the given foreign word:

"MAGNUM OPUS"

1. Masterpiece
2. the worst opponent
3. dark chocolate
4. posterity

Options :

485584135857. 1
485584135858. 2
485584135859. 3
485584135860. 4

Question Number : 21 Question Id : 48558433966 Question Type : MCQ Option Shuffling : No Is Question Mandatory : No Calculator : None Response Time : N.A Think Time : N.A Minimum Instruction Time : 0

Correct Marks : 5 Wrong Marks : 1

Question Key Details :

Key	Value
Comprehension	MCQ

Choose the option that demonstrates the most appropriate use of articles

1. The Secretary and a Treasurer are absent
2. The Secretary and the Treasurer are absent
3. Secretary and Treasurer are absent
4. The Secretary and Treasurer are absent

Options :

485584135861. 1
485584135862. 2
485584135863. 3
485584135864. 4

Question Number : 22 Question Id : 48558433967 Question Type : MCQ Option Shuffling : No Is Question Mandatory : No Calculator : None Response Time : N.A Think Time : N.A Minimum Instruction Time : 0

Correct Marks : 5 Wrong Marks : 1

Question Key Details :

Key	Value
Comprehension	MCQ

Fill in the blank with an appropriate Article.

I am subscribed _____ the New York Times journal.

1. with
2. for
3. from
4. to

Options :

- 485584135865. 1
- 485584135866. 2
- 485584135867. 3
- 485584135868. 4

Question Number : 23 Question Id : 48558433968 Question Type : MCQ Option Shuffling : No Is Question Mandatory : No Calculator : None Response Time : N.A Think Time : N.A Minimum Instruction Time : 0

Correct Marks : 5 Wrong Marks : 1

Question Key Details :

Key	Value
Comprehension	MCQ

From the given options, choose the most appropriate meaning of the word:

"CARTOGRAPHER"

1. one who draws maps
2. study of fossils
3. one who collects stamps
4. a number of cases

Options :

- 485584135869. 1
- 485584135870. 2
- 485584135871. 3
- 485584135872. 4

Question Number : 24 Question Id : 48558433969 Question Type : MCQ Option Shuffling : No Is Question Mandatory : No Calculator : None Response Time : N.A Think Time : N.A Minimum Instruction Time : 0

Correct Marks : 5 Wrong Marks : 1

Question Key Details :

Key	Value
Comprehension	MCQ

Match the words in List I with their appropriate Synonyms in List II

LIST I		LIST II	
A.	Mortuary	I.	Home for the destitute
B.	Cantonment	II.	A place where money is coined
C.	Mint	III.	A place where dead bodies are temporarily kept
D.	Asylum	IV.	A place where soldiers are quartered

Choose the correct answer from the options given below:

1. A-II, B-III, C-IV, D-I
2. A-IV, B-II, C-III, D-I
3. A-III, B-IV, C-I, D-II
4. A-III, B-IV, C-II, D-I

Options :

485584135873. 1
485584135874. 2
485584135875. 3
485584135876. 4

Question Number : 25 Question Id : 48558433970 Question Type : MCQ Option Shuffling : No Is Question Mandatory : No Calculator : None Response Time : N.A Think Time : N.A Minimum Instruction Time : 0

Correct Marks : 5 Wrong Marks : 1

Question Key Details :

Key	Value
Comprehension	MCQ

Arrange the following headings of a formal letter in the correct order.

- A. Sender's address
- B. Salutation
- C. Receiver's address
- D. Subject
- E. Date

Choose the correct answer from the options given below:

1. B, A, C, E, D
2. E, D, C, A, B
3. A, B, C, D, E
4. A, E, C, D, B

Options :

485584135877. 1
485584135878. 2
485584135879. 3

Question Number : 26 Question Id : 48558433971 Question Type : MCQ Option Shuffling : No Is Question Mandatory : No Calculator : None Response Time : N.A Think Time : N.A Minimum Instruction Time : 0

Correct Marks : 5 Wrong Marks : 1

Question Key Details :

Key	Value
Comprehension	MCQ

Complete the given sentence by rearranging the jumbled phrases and form a coherent sentences. Choose the most appropriate option.

The lender's public meeting was disrupted.

P. by a section of the audience

Q. any firm assurance

R. he had not given them

S. who felt that

1. P, S, R, Q

2. Q, P, S, R

3. R, Q, P, S

4. S, R, Q, P

Options :

485584135881. 1

485584135882. 2

485584135883. 3

485584135884. 4

Question Number : 27 Question Id : 48558433972 Question Type : MCQ Option Shuffling : No Is Question Mandatory : No Calculator : None Response Time : N.A Think Time : N.A Minimum Instruction Time : 0

Correct Marks : 5 Wrong Marks : 1

Question Key Details :

Key	Value
Comprehension	MCQ

Choosing the most appropriate answer from the given list. Convert the following sentence in Direct Speech to Indirect Speech.

"I am guilty", the defended said.

1. The defendant admitted that he was guilty

2. The defendant accepted his guilt

3. The defendant said yes he was guilty

4. The guilty defendant accepted his fault

Options :

- 485584135885. 1
- 485584135886. 2
- 485584135887. 3
- 485584135888. 4

Question Number : 28 Question Id : 48558433973 Question Type : MCQ Option Shuffling : No Is Question Mandatory : No Calculator : None Response Time : N.A Think Time : N.A Minimum Instruction Time : 0

Correct Marks : 5 Wrong Marks : 1

Question Key Details :

Key	Value
Comprehension	MCQ

Choosing the most appropriate answer from the given list, convert the following sentence in Indirect speech to Direct speech.

I asked Sara whether Bill had given her that ring.

1. "Did Bill willing to give that ring?", "I asked Sara.
2. "Did Bill give you that ring?", I asked Sara.
3. "Can Bill give you a ring?", I asked Sara.
4. "Should Bill give you rings?", I asked Sara.

Options :

- 485584135889. 1
- 485584135890. 2
- 485584135891. 3
- 485584135892. 4

Question Number : 29 Question Id : 48558433974 Question Type : MCQ Option Shuffling : No Is Question Mandatory : No Calculator : None Response Time : N.A Think Time : N.A Minimum Instruction Time : 0

Correct Marks : 5 Wrong Marks : 1

Question Key Details :

Key	Value
Comprehension	MCQ

Convert the following Exclamatory Sentence to Assertive Sentence:

What a Lovely House!

1. Oh! What a lovely house!
2. The house that I am looking at is very lonely
3. It was a very lovely house indeed
4. What a lovely house am I looking at

Options :

- 485584135893. 1
- 485584135894. 2

485584135895. 3

485584135896. 4

Question Number : 30 Question Id : 48558433975 Question Type : MCQ Option Shuffling : No Is Question Mandatory : No Calculator : None Response Time : N.A Think Time : N.A Minimum Instruction Time : 0

Correct Marks : 5 Wrong Marks : 1

Question Key Details :

Key	Value
Comprehension	MCQ

Fill in the blanks with the appropriate pair of Homonyms:

I heard an _____ when I was going to the tailor for _____.

1. alteration, altercation
2. altercation, alteration
3. alternative, alteration
4. alternative, altercation

Options :

485584135897. 1

485584135898. 2

485584135899. 3

485584135900. 4

Question Number : 31 Question Id : 48558433976 Question Type : MCQ Option Shuffling : No Is Question Mandatory : No Calculator : None Response Time : N.A Think Time : N.A Minimum Instruction Time : 0

Correct Marks : 5 Wrong Marks : 1

Question Key Details :

Key	Value
Comprehension	MCQ

Arrange the following sentence in the proper order:

- A. for total destruction
- B. However, whether we have the capacity
- C. Remains debated
- D. through nuclear annihilation or such

Choose the correct answer from the options given below:

1. C, A, D, B
2. A, B, C, D
3. B, A, D, C
4. D, C, B, A

Options :

485584135901. 1

485584135902. 2

485584135903. 3

485584135904. 4

Question Number : 32 Question Id : 48558433977 Question Type : MCQ Option Shuffling : No Is Question Mandatory : No Calculator : None Response Time : N.A Think Time : N.A Minimum Instruction Time : 0

Correct Marks : 5 Wrong Marks : 1

Question Key Details :

Key	Value
Comprehension	MCQ

Choose the best option to convert the given Assertive Sentence into Exclamatory Sentence:

I wish I knew more people here.

1. If only I knew more people here!
2. What a pity to have known more people here.
3. Oh! Fie! I know nobody here.
4. Alas! I could have known more people here.

Options :

485584135905. 1

485584135906. 2

485584135907. 3

485584135908. 4

Question Number : 33 Question Id : 48558433978 Question Type : MCQ Option Shuffling : No Is Question Mandatory : No Calculator : None Response Time : N.A Think Time : N.A Minimum Instruction Time : 0

Correct Marks : 5 Wrong Marks : 1

Question Key Details :

Key	Value
Comprehension	MCQ

Fill in the appropriate modals in List I with the sentences given in List II

LIST I		LIST II	
A.	How _____ you shout at your best friend?	I.	can
B.	_____ we go to the beach then?	II.	should
C.	No one _____ question the ways of God	III.	shall
D.	We _____ respect our elders	IV.	could

Choose the correct answer from the options given below:

1. A-I, B-IV, C-III, D-II
2. A-II, B-III, C-I, D-IV
3. A-IV, B-III, C-I, D-II
4. A-III, B-II, C-I, D-IV

Options :

- 485584135909. 1
- 485584135910. 2
- 485584135911. 3
- 485584135912. 4

Question Number : 34 Question Id : 48558433979 Question Type : MCQ Option Shuffling : No Is Question Mandatory : No Calculator : None Response Time : N.A Think Time : N.A Minimum Instruction Time : 0

Correct Marks : 5 Wrong Marks : 1

Question Key Details :

Key	Value
Comprehension	MCQ

Fill in the blank with a proper modal so that the sentence sounds like a promise.

I _____ help you.

- 1. might
- 2. shouldn't
- 3. can
- 4. will

Options :

- 485584135913. 1
- 485584135914. 2
- 485584135915. 3
- 485584135916. 4

Question Number : 35 Question Id : 48558433980 Question Type : MCQ Option Shuffling : No Is Question Mandatory : No Calculator : None Response Time : N.A Think Time : N.A Minimum Instruction Time : 0

Correct Marks : 5 Wrong Marks : 1

Question Key Details :

Key	Value
Comprehension	MCQ

Identify the Adjective Clause in the following sentence.

"The spot where the battle was fought is unknown".

- 1. The spot where
- 2. where the battle was fought
- 3. The spot where the battle was fought
- 4. the battle was

Options :

- 485584135917. 1
- 485584135918. 2
- 485584135919. 3
- 485584135920. 4

Question Number : 36 Question Id : 48558433981 Question Type : MCQ Option Shuffling : No Is Question Mandatory : No Calculator : None Response Time : N.A Think Time : N.A Minimum Instruction Time : 0

Correct Marks : 5 Wrong Marks : 1

Question Key Details :

Key	Value
Comprehension	MCQ

Identify the error in the following sentence.

Each girl and each boy was given a red pencil.

1. Each girl and each boy
2. was given
3. a red pencil
4. No error

Options :

- 485584135921. 1
- 485584135922. 2
- 485584135923. 3
- 485584135924. 4

Question Number : 37 Question Id : 48558433982 Question Type : MCQ Option Shuffling : No Is Question Mandatory : No Calculator : None Response Time : N.A Think Time : N.A Minimum Instruction Time : 0

Correct Marks : 5 Wrong Marks : 1

Question Key Details :

Key	Value
Comprehension	MCQ

Identify the error in the following sentence.

He was not able to concentrate because of the continual music being played next door.

1. He was not able to concentrate
2. because of the continual music
3. being played next door
4. No error

Options :

- 485584135925. 1
- 485584135926. 2
- 485584135927. 3
- 485584135928. 4

Question Number : 38 Question Id : 48558433983 Question Type : MCQ Option Shuffling : No Is Question Mandatory : No Calculator : None Response Time : N.A Think Time : N.A Minimum Instruction Time : 0

Correct Marks : 5 Wrong Marks : 1

Question Key Details :

Key	Value
Comprehension	MCQ

Match List I with List II : Words with their antonyms

LIST I		LIST II	
Words		Antonyms	
A.	Meticulous	I.	Neglect
B.	Abrupt	II.	Active
C.	Nurse	III.	Careless
D.	Ennui	IV.	Gradual

Choose the correct answer from the options given below:

1. A-I, B-II, C-III, D-IV
2. A-III, B-IV, C-I, D-II
3. A-II, B-I, C-IV, D-III
4. A-IV, B-II, C-III, D-I

Options :

485584135929. 1
485584135930. 2
485584135931. 3
485584135932. 4

Question Number : 39 Question Id : 48558433984 Question Type : MCQ Option Shuffling : No Is Question Mandatory : No Calculator : None Response Time : N.A Think Time : N.A Minimum Instruction Time : 0

Correct Marks : 5 Wrong Marks : 1

Question Key Details :

Key	Value
Comprehension	MCQ

Choose the appropriate Antonym for the following word from the given list.

"ADRIOT"

1. Negate
2. Chumsy
3. Posture
4. Skillfull

Options :

485584135933. 1
485584135934. 2
485584135935. 3
485584135936. 4

Question Number : 40 Question Id : 48558433985 Question Type : MCQ Option Shuffling : No Is Question Mandatory : No Calculator : None Response Time : N.A Think Time : N.A Minimum Instruction Time : 0

Correct Marks : 5 Wrong Marks : 1

Question Key Details :

Key	Value
Comprehension	MCQ

Arrange the following sentence in the correct order.

- A. how efficient an administrator
- B. all days long
- C. The courtiers need to tell the king
- D. he was

Choose the correct answer from the options given below:

- 1. C, A, D, B
- 2. B, C, A, D
- 3. D, A, B, C
- 4. A, B, C, D

Options :

- 485584135937. 1
- 485584135938. 2
- 485584135939. 3
- 485584135940. 4

Question Number : 41 Question Id : 48558433986 Question Type : MCQ Option Shuffling : No Is Question Mandatory : No Calculator : None Response Time : N.A Think Time : N.A Minimum Instruction Time : 0

Correct Marks : 5 Wrong Marks : 1

Question Key Details :

Key	Value
Comprehension	MCQ

Fill in the blank with an appropriate preposition in the following sentence.

The boy fell _____ the roof.

- 1. under
- 2. off
- 3. of
- 4. since

Options :

- 485584135941. 1
- 485584135942. 2
- 485584135943. 3
- 485584135944. 4

Question Number : 42 Question Id : 48558433987 Question Type : MCQ Option Shuffling : No Is Question Mandatory : No Calculator : None Response Time : N.A Think Time : N.A Minimum Instruction Time : 0

Correct Marks : 5 Wrong Marks : 1

Question Key Details :

Key	Value
Comprehension	MCQ

Fill in the blanks with the correct pair of preposition in the given sentence.

They lived _____ Gohana, a small town _____ Haryana.

1. at, in
2. in, from
3. at, from
4. in, at

Options :

- 485584135945. 1
- 485584135946. 2
- 485584135947. 3
- 485584135948. 4

Question Number : 43 Question Id : 48558433988 Question Type : MCQ Option Shuffling : No Is Question Mandatory : No Calculator : None Response Time : N.A Think Time : N.A Minimum Instruction Time : 0

Correct Marks : 5 Wrong Marks : 1

Question Key Details :

Key	Value
Comprehension	MCQ

Choose the sentence with the correct use of the idiom/phrase from the given list:

1. His son put off a blind eye prank
2. He turned a blind eye to his son's prank
3. His father's blind eye turned at his prank
4. He turned blind to his son's prank

Options :

- 485584135949. 1
- 485584135950. 2
- 485584135951. 3
- 485584135952. 4

Question Number : 44 Question Id : 48558433989 Question Type : MCQ Option Shuffling : No Is Question Mandatory : No Calculator : None Response Time : N.A Think Time : N.A Minimum Instruction Time : 0

Correct Marks : 5 Wrong Marks : 1

Question Key Details :

Key	Value
Comprehension	MCQ

Match the idioms/phrases in List I with its meaning in List II

LIST I		LIST II	
A.	murder in cold blood	I.	to be in trouble
B.	go places	II.	murder ruthlessly
C.	A fly in the ointment	III.	a problem in a situation
D.	in the soup	IV.	be successful

Choose the correct answer from the options given below:

1. A-I, B-III, C-IV, D-II
2. A-IV, B-III, C-I, D-II
3. A-III, B-II, C-I, D-IV
4. A-II, B-IV, C-III, D-I

Options :

485584135953. 1
485584135954. 2
485584135955. 3
485584135956. 4

Question Number : 45 Question Id : 48558433990 Question Type : MCQ Option Shuffling : No Is Question Mandatory : No Calculator : None Response Time : N.A Think Time : N.A Minimum Instruction Time : 0

Correct Marks : 5 Wrong Marks : 1

Question Key Details :

Key	Value
Comprehension	MCQ

Fill in the blanks with the most appropriate phrasal verb from the alternatives given under the sentence.

In her old age she has no one to _____ her.

1. Look at
2. Look after
3. Look for
4. Look ones

Options :

485584135957. 1
485584135958. 2
485584135959. 3
485584135960. 4

Question Number : 46 Question Id : 48558433991 Question Type : MCQ Option Shuffling : No Is Question Mandatory : No Calculator : None Response Time : N.A Think Time : N.A Minimum Instruction Time : 0

Correct Marks : 5 Wrong Marks : 1

Question Key Details :

Key	Value
Comprehension	MCQ

Fill in the blanks with the most suitable phrasal verb from the alternatives given under the sentence.

The college will _____ next week for summer vacation.

1. Break up
2. Open up
3. Close down
4. Shut up

Options :

- 485584135961. 1
- 485584135962. 2
- 485584135963. 3
- 485584135964. 4

Question Number : 47 Question Id : 48558433992 Question Type : MCQ Option Shuffling : No Is Question Mandatory : No Calculator : None Response Time : N.A Think Time : N.A Minimum Instruction Time : 0

Correct Marks : 5 Wrong Marks : 1

Question Key Details :

Key	Value
Comprehension	MCQ

Some part of the sentence is grammatically incorrect. Pick the error.

Another surprising change that I noticed in him in recent times is that he avoids to speak to me.

1. Another surprising change
2. that is noticed in him in recent time
3. is that he avoids
4. to speak to me

Options :

- 485584135965. 1
- 485584135966. 2
- 485584135967. 3
- 485584135968. 4

Question Number : 48 Question Id : 48558433993 Question Type : MCQ Option Shuffling : No Is Question Mandatory : No Calculator : None Response Time : N.A Think Time : N.A Minimum Instruction Time : 0

Correct Marks : 5 Wrong Marks : 1

Question Key Details :

Key	Value
Comprehension	MCQ

Identify the type of adverb in the following sentence.

"I therefore left my apartment".

1. Adverb of frequency
2. Adverb of manner
3. Adverb of reason
4. Adverb of Time

Options :

- 485584135969. 1
- 485584135970. 2
- 485584135971. 3
- 485584135972. 4

Question Number : 49 Question Id : 48558433994 Question Type : MCQ Option Shuffling : No Is Question Mandatory : No Calculator : None Response Time : N.A Think Time : N.A Minimum Instruction Time : 0

Correct Marks : 5 Wrong Marks : 1

Question Key Details :

Key	Value
Comprehension	MCQ

Fill in the blank with an appropriate adverb.

They have _____ faith in their Guru.

1. Fairly good
2. wholly
3. very
4. too much

Options :

- 485584135973. 1
- 485584135974. 2
- 485584135975. 3
- 485584135976. 4

Question Number : 50 Question Id : 48558433995 Question Type : MCQ Option Shuffling : No Is Question Mandatory : No Calculator : None Response Time : N.A Think Time : N.A Minimum Instruction Time : 0

Correct Marks : 5 Wrong Marks : 1

Question Key Details :

Key	Value
Comprehension	MCQ

Choose the salutation used in a formal letter from the given options.

1. yours lovingly
2. yours sincerely
3. yours truly
4. yours punctually

Options :

485584135977. 1
485584135978. 2
485584135979. 3
485584135980. 4

Hindi

Group Number :	2
Group Id :	485584769
Group Maximum Duration :	45
Group Minimum Duration :	45
Show Attended Group? :	No
Edit Attended Group? :	No
Break time :	0
Group Marks :	200
Is this Group for Examiner? :	No
Examiner permission :	Cant View
Show Progress Bar? :	No

Hindi

Section Id :	485584887
Section Number :	1
Section type :	Online
Mandatory or Optional :	Mandatory
Number of Questions :	50
Number of Questions to be attempted :	40
Section Marks :	200
Enable Mark as Answered Mark for Review and Clear Response :	Yes
Maximum Instruction Time :	0
Sub-Section Number :	1
Sub-Section Id :	4855842510
Question Shuffling Allowed :	No
Is Section Default? :	null
Sub-Section Number :	2
Sub-Section Id :	4855842511
Question Shuffling Allowed :	No
Is Section Default? :	null
Sub-Section Number :	3
Sub-Section Id :	4855842512

Question Shuffling Allowed :	No
Is Section Default? :	null
Sub-Section Number :	4
Sub-Section Id :	4855842513
Question Shuffling Allowed :	Yes
Is Section Default? :	null

Odia

Group Number :	3
Group Id :	485584770
Group Maximum Duration :	45
Group Minimum Duration :	45
Show Attended Group? :	No
Edit Attended Group? :	No
Break time :	0
Group Marks :	200
Is this Group for Examiner? :	No
Examiner permission :	Cant View
Show Progress Bar? :	No

Odia

Section Id :	485584888
Section Number :	1
Section type :	Online
Mandatory or Optional :	Mandatory
Number of Questions :	50
Number of Questions to be attempted :	40
Section Marks :	200
Enable Mark as Answered Mark for Review and Clear Response :	Yes
Maximum Instruction Time :	0
Sub-Section Number :	1
Sub-Section Id :	4855842514
Question Shuffling Allowed :	No
Is Section Default? :	null
Sub-Section Number :	2
Sub-Section Id :	4855842515
Question Shuffling Allowed :	No
Is Section Default? :	null
Sub-Section Number :	3
Sub-Section Id :	4855842516
Question Shuffling Allowed :	No
Is Section Default? :	null
Sub-Section Number :	4
Sub-Section Id :	4855842517
Question Shuffling Allowed :	Yes
Is Section Default? :	null

Punjabi

Group Number :	4
Group Id :	485584771
Group Maximum Duration :	45
Group Minimum Duration :	45
Show Attended Group? :	No
Edit Attended Group? :	No
Break time :	0
Group Marks :	200
Is this Group for Examiner? :	No
Examiner permission :	Cant View
Show Progress Bar? :	No

Punjabi

Section Id :	485584889
Section Number :	1
Section type :	Online
Mandatory or Optional :	Mandatory
Number of Questions :	50
Number of Questions to be attempted :	40
Section Marks :	200
Enable Mark as Answered Mark for Review and Clear Response :	Yes
Maximum Instruction Time :	0
Sub-Section Number :	1
Sub-Section Id :	4855842518
Question Shuffling Allowed :	No
Is Section Default? :	null
Sub-Section Number :	2
Sub-Section Id :	4855842519
Question Shuffling Allowed :	No
Is Section Default? :	null
Sub-Section Number :	3
Sub-Section Id :	4855842520
Question Shuffling Allowed :	No
Is Section Default? :	null
Sub-Section Number :	4
Sub-Section Id :	4855842521
Question Shuffling Allowed :	Yes
Is Section Default? :	null

Tamil

Group Number :	5
Group Id :	485584772
Group Maximum Duration :	45
Group Minimum Duration :	45
Show Attended Group? :	No
Edit Attended Group? :	No
Break time :	0
Group Marks :	200
Is this Group for Examiner? :	No

Examiner permission :
Show Progress Bar? :

Cant View
No

Tamil

Section Id : 485584890
Section Number : 1
Section type : Online
Mandatory or Optional : Mandatory
Number of Questions : 50
Number of Questions to be attempted : 40
Section Marks : 200
Enable Mark as Answered Mark for Review and Clear Response : Yes
Maximum Instruction Time : 0
Sub-Section Number : 1
Sub-Section Id : 4855842522
Question Shuffling Allowed : No
Is Section Default? : null

Question Number : 51 Question Id : 48558434556 Question Type : MCQ Option Shuffling : No Is Question Mandatory : No Calculator : None Response Time : N.A Think Time : N.A Minimum Instruction Time : 0

Correct Marks : 5 Wrong Marks : 1

Question Key Details :

Key	Value
Comprehension	Compl

கீழ்க்காணும் பத்திகளைக் கவனமாகப் படித்து பின்வரும் வினாக்களுக்கு விடையளிக்கவும்:

இலக்கியம், மனித வாழ்வில் இன்றியமையாத இடத்தைப் பெற்றுள்ளதைப் பார்த்தோம்; அதுபோலவே 'வரலாறு' என்ற ஒன்றும் மனித இருப்போடு இணைந்த ஒன்றாக அமைந்து கிடக்கிறது. தனி மனிதர்கள் தாங்கள் கடந்து வந்த இறந்தகாலம் தந்த அனுபவங்களை நிகழ்காலத் தேவைக்கேற்ப வடிவமைத்துக் கொள்வதைப் போலவே, ஒரு சமூகமும் கடந்தகால வரலாற்றைத் தன் காலத் தேவைக்கேற்ப வடிவமைத்துக்கொள்வதன் மூலம் தன்னைப் புதுப்பித்துக் கொள்கிறது. எனவே, வரலாறு என்பது வெறுமனே மனிதர்களின் பழைய வாழ்க்கை நிகழ்வுகளைக் காலவரிசைப்படித் தொகுத்துத் தருவது என்று நம்பிய காலம் மலையேறிவிட்டது. 'புது வரலாற்றியல்' சிந்தனை, வரலாறு என்பது பழங்காலத்தைச் சமகால அரசியல் தேவைக்கு ஏற்ப புனையப்படுகின்ற ஒன்றுதான் என்ற கருத்தை முன்வைக்கிறது. எனவே, இலக்கிய வரலாறு என்பதும் சமகாலத் தேவைக்கு ஏற்ப வடிவமைக்கப்படுகிற ஒன்றுதான் என்கிற புரிதல் நமக்கு வேண்டும். மனித வரலாற்றில் பொற்காலமென்று ஒன்று இருக்க முடியுமா? ஆனால் சங்ககால இலக்கியங்களைப் பொற்கால இலக்கியமென்று புனைந்தனர்; அப்படியொரு தேவை, 20 ஆம் நூற்றாண்டின் தொடக்கத்தில் வெடித்துக் கிளம்பிய தமிழ் மறுமலர்ச்சி இயக்கத்திற்கு இருந்தது. ஏறத்தாழ 1500 ஆண்டுகளுக்கு மேலாக வேற்று மொழிகளின் ஆதிக்கத்திற்குள்ளாகித் "தமிழை ஒரு மொழியென்று சொல்லவும் கூடுமோ? வடமொழியின்றி அதனால் தனித்தியங்க இயலுமோ?" என்று சவால்விடும் அளவிற்குத் தன் நிலப்பரப்பிலேயே தாழ்ந்து கிடந்த தமிழை மீட்டெடுக்க வேண்டிய வரலாற்றுத் தேவை இருந்தது. எனவே பொற்காலம் என்ற கருத்தாக்கம் எடுபட்டது.

மு.வரதராசனாரின் இலக்கிய வரலாற்று நூல் இத்தகையக் கருத்தாக்கப் பின்னணியில் எழுதப்பட்டது தான். எஸ்.வையாபுரிப்பிள்ளை, தெ. பொ.மீனாட்சி சுந்தரனார் ஆகியோர் இந்தியத் தேசியம் என்ற கருத்தாக்கத்திற்கேற்பத் தங்கள் இலக்கிய வரலாற்றை வடிவமைத்துள்ளனர். கைலாசபதி, சிவத்தம்பி, கோ. கேசவன் ஆகியோர் வர்க்க அடிப்படையில் இலக்கிய வரலாற்றை அணுகியுள்ளனர். இத்தகையப் போக்கு, மனித வரலாற்றில் தவிர்க்க முடியாதது. எனவே, இன்றைய கால கட்டத்தின் தேவைக்கேற்ப, "புதிய வெளிச்சத்தில்-தமிழிலக்கிய வரலாறு" என்ற இந்த நூல், இன்று தமிழ் இலக்கியச் சூழலில் பெரிதும் பேசப்படும் விளிப்புநிலைக் கோட்பாட்டு மற்றும் அதிகாரம் குறித்த கோட்பாடு ஆகியவற்றை முன்னிறுத்தி எழுதப்பட்டுள்ளது. இவ்வாறு காலத்தின் தேவைக்கேற்ப, இலக்கிய வரலாறு எழுதப்படும்போது இன்றியமையாத இரண்டு விளைவுகள் ஏற்படுகின்றன. ஒன்று பழைய இலக்கியங்கள், புதிய வாழ்க்கைச் சூழலைக் குறித்து உரையாடுவதற்குப் பயன்படுகின்றன. இரண்டு, இத்தகைய புதிய நோக்கிலான வாசிப்பு மூலம், பழைய இலக்கியங்கள் புதுப்பிக்கப்பட்டுக் காலக் கறையான கையில் சிக்காமல் தப்பித்து விடுகின்றன.

சங்ககாலம் 'பொற்காலம்' என்ற கருத்தாக்கத்தில் எழுதப்பட்ட இலக்கிய வரலாற்று நூல் யாருடையது?

1. தெ. பொ. மீனாட்சி சுந்தரனார்
2. மு. வரதராசனார்
3. கைலாசபதி
4. சிவத்தம்பி

Options :

485584138221. 1
485584138222. 2
485584138223. 3
485584138224. 4

Question Number : 52 Question Id : 48558434557 Question Type : MCQ Option Shuffling : No Is Question Mandatory : No Calculator : None Response Time : N.A Think Time : N.A Minimum Instruction Time : 0

Correct Marks : 5 Wrong Marks : 1

Question Key Details :

Key	Value
Comprehension	Comp1

கீழ்காணும் பத்திகளைக் கவனமாகப் படித்து பின்வரும் வினாக்களுக்கு விடையளிக்கவும்:

இலக்கியம், மனித வாழ்வில் இன்றியமையாத இடத்தைப் பெற்றுள்ளதைப் பார்த்தோம்; அதுபோலவே 'வரலாறு' என்ற ஒன்றும் மனித இருப்போடு இணைந்த ஒன்றாக அமைந்து கிடக்கிறது. தனி மனிதர்கள் தாங்கள் கடந்து வந்த இறந்தகாலம் தந்த அனுபவங்களை நிகழ்காலத் தேவைக்கேற்ப வடிவமைத்துக் கொள்வதைப் போலவே, ஒரு சமூகமும் கடந்தகால வரலாற்றைத் தன் காலத் தேவைக்கேற்ப வடிவமைத்துக்கொள்வதன் மூலம் தன்னைப் புதுப்பித்துக் கொள்கிறது. எனவே, வரலாறு என்பது வெறுமனே மனிதர்களின் பழைய வாழ்க்கை நிகழ்வுகளைக் காலவரிசைப்படுத்தி தொகுத்துத் தருவது என்று நம்பிய காலம் மலையேறிவிட்டது. 'புது வரலாற்றியல்' சிந்தனை, வரலாறு என்பது பழங்காலத்தைச் சமகால அரசியல் தேவைக்கு ஏற்ப புனையப்படுகின்ற ஒன்றுதான் என்ற கருத்தை முன்வைக்கிறது. எனவே, இலக்கிய வரலாறு என்பதும் சமகாலத் தேவைக்கு ஏற்ப வடிவமைக்கப்படுகின்ற ஒன்றுதான் என்கிற புரிதல் நமக்கு வேண்டும். மனித வரலாற்றில் பொற்காலமென்று ஒன்று இருக்க முடியுமா? ஆனால் சங்ககால இலக்கியங்களைப் பொற்கால இலக்கியமென்று புனைந்தனர்; அப்படியொரு தேவை, 20 ஆம் நூற்றாண்டின் தொடக்கத்தில் வெடித்துக் கிளம்பிய தமிழ் மறுமலர்ச்சி இயக்கத்திற்கு இருந்தது. ஏறத்தாழ 1500 ஆண்டுகளுக்கு மேலாக வேற்று மொழிகளின் ஆதிக்கத்திற்குள்ளாகித் "தமிழை, ஒரு மொழியென்று சொல்லவும் கூடுமோ? வடமொழியின்றி அதனால் தனித்தியங்க இயலுமோ?" என்று சவால்விடும் அளவிற்குத் தன் நிலப்பரப்பிலேயே தாழ்ந்து கிடந்த தமிழை மீட்டெடுக்க வேண்டிய வரலாற்றுத் தேவை இருந்தது. எனவே பொற்காலம் என்ற கருத்தாக்கம் எடுபட்டது.

மு.வரதராசனாரின் இலக்கிய வரலாற்று நூல் இத்தகையக் கருத்தாக்கப் பின்னணியில் எழுதப்பட்டது தான். எஸ்.வையாபுரிப்பிள்ளை, தெ. பொ.மீனாட்சி சுந்தரனார் ஆகியோர் இந்தியத் தேசியம் என்ற கருத்தாக்கத்திற்கேற்பத் தங்கள் இலக்கிய வரலாற்றை வடிவமைத்துள்ளனர். கைலாசபதி, சிவத்தம்பி, கோ. கேசவன் ஆகியோர் வர்க்க அடிப்படையில் இலக்கிய வரலாற்றை அணுகியுள்ளனர். இத்தகையப் போக்கு, மனித வரலாற்றில் தவிர்க்க முடியாதது. எனவே, இன்றைய கால கட்டத்தின் தேவைக்கேற்ப, "புதிய வெளிச்சத்தில்-தமிழிலக்கிய வரலாறு" என்ற இந்த நூல், இன்று தமிழ் இலக்கியச் சூழலில் பெரிதும் பேசப்படும் விளிப்புநிலைக் கோட்பாட்டு மற்றும் அதிகாரம் குறித்த கோட்பாடு ஆகியவற்றை முன்னிறுத்தி எழுதப்பட்டுள்ளது. இவ்வாறு காலத்தின் தேவைக்கேற்ப, இலக்கிய வரலாறு எழுதப்படும்போது இன்றியமையாத இரண்டு விளைவுகள் ஏற்படுகின்றன. ஒன்று பழைய இலக்கியங்கள், புதிய வாழ்க்கைச் சூழலைக் குறித்து உரையாடுவதற்குப் பயன்படுகின்றன. இரண்டு, இத்தகைய புதிய நோக்கிலான வாசிப்பு மூலம், பழைய இலக்கியங்கள் புதுப்பிக்கப்பட்டுக் காலக் கறையான கையில் சிக்காமல் தப்பித்து விடுகின்றன.

இலக்கியம் போன்று மனித வாழ்வில் இன்றியமையாத இடம்பெறும் மற்றொன்று எது?

1. கலை
2. அறிவியல்
3. சினிமா
4. வரலாறு

Options :

485584138225. 1
485584138226. 2
485584138227. 3
485584138228. 4

Question Number : 53 Question Id : 48558434558 Question Type : MCQ Option Shuffling : No Is Question Mandatory : No Calculator : None Response Time : N.A Think Time : N.A Minimum Instruction Time : 0

Correct Marks : 5 Wrong Marks : 1

Question Key Details :

Key	Value
Comprehension	Compl

கீழ்க்காணும் பத்திகளைக் கவனமாகப் படித்து பின்வரும் வினாக்களுக்கு விடையளிக்கவும்:

இலக்கியம், மனித வாழ்வில் இன்றியமையாத இடத்தைப் பெற்றுள்ளதைப் பார்த்தோம்: அதுபோலவே 'வரலாறு' என்ற ஒன்றும் மனித இருப்போடு இணைந்த ஒன்றாக அமைந்து கிடக்கிறது. தனி மனிதர்கள் தாங்கள் கடந்து வந்த இறந்தகாலம் தந்த அனுபவங்களை நிகழ்காலத் தேவைக்கேற்ப வடிவமைத்துக் கொள்வதைப் போலவே, ஒரு சமூகமும் கடந்தகால வரலாற்றைத் தன் காலத் தேவைக்கேற்ப வடிவமைத்துக்கொள்வதன் மூலம் தன்னைப் புதுப்பித்துக் கொள்கிறது. எனவே, வரலாறு என்பது வெறுமனே மனிதர்களின் பழைய வாழ்க்கை நிகழ்வுகளைக் காலவரிசைப்படித் தொகுத்துத் தருவது என்று நம்பிய காலம் மலையேறிவிட்டது. 'புது வரலாற்றியல்' சிந்தனை, வரலாறு என்பது பழங்காலத்தைச் சமகால அரசியல் தேவைக்கு ஏற்ப புனையப்படுகின்ற ஒன்றுதான் என்ற கருத்தை முன்வைக்கிறது. எனவே, இலக்கிய வரலாறு என்பதும் சமகாலத் தேவைக்கு ஏற்ப வடிவமைக்கப்படுகிற ஒன்றுதான் என்கிற புரிதல் நமக்கு வேண்டும். மனித வரலாற்றில் பொற்காலமென்று ஒன்று இருக்க முடியுமா? ஆனால் சங்ககால இலக்கியங்களைப் பொற்கால இலக்கியமென்று புனைந்தனர்; அப்படியொரு தேவை, 20 ஆம் நூற்றாண்டின் தொடக்கத்தில் வெடித்துக் கிளம்பிய தமிழ் மறுமலர்ச்சி இயக்கத்திற்கு இருந்தது. ஏறத்தாழ 1500 ஆண்டுகளுக்கு மேலாக வேற்று மொழிகளின் ஆதிக்கத்திற்குள்ளாகித் "தமிழை ஒரு மொழியென்று சொல்லவும் கூடுமோ? வடமொழியின்றி அதனால் தனித்தியங்க இயலுமோ?" என்று சவால்விடும் அளவிற்குத் தன் நிலப்பரப்பிலேயே தாழ்ந்து கிடந்த தமிழை மீட்டெடுக்க வேண்டிய வரலாற்றுத் தேவை இருந்தது. எனவே பொற்காலம் என்ற கருத்தாக்கம் எடுபட்டது.

மு.வரதராசனாரின் இலக்கிய வரலாற்று நூல் இத்தகையக் கருத்தாக்கப் பின்னணியில் எழுதப்பட்டது தான். எஸ்.வையாபுரிப்பிள்ளை, தெ. பொ.மீனாட்சி சுந்தரனார் ஆகியோர் இந்தியத் தேசியம் என்ற கருத்தாக்கத்திற்கேற்பத் தங்கள் இலக்கிய வரலாற்றை வடிவமைத்துள்ளனர். கைலாசபதி, சிவத்தம்பி, கோ. கேசவன் ஆகியோர் வர்க்க அடிப்படையில் இலக்கிய வரலாற்றை அணுகியுள்ளனர். இத்தகையப் போக்கு, மனித வரலாற்றில் தவிர்க்க முடியாதது. எனவே, இன்றைய கால கட்டத்தின் தேவைக்கேற்ப, "புதிய வெளிச்சத்தில்-தமிழிலக்கிய வரலாறு" என்ற இந்த நூல், இன்று தமிழ் இலக்கியச் சூழலில் பெரிதும் பேசப்படும் விளிப்புநிலைக் கோட்பாட்டு மற்றும் அதிகாரம் குறித்த கோட்பாடு ஆகியவற்றை முன்னிறுத்தி எழுதப்பட்டுள்ளது. இவ்வாறு காலத்தின் தேவைக்கேற்ப, இலக்கிய வரலாறு எழுதப்படும்போது இன்றியமையாத இரண்டு விளைவுகள் ஏற்படுகின்றன. ஒன்று பழைய இலக்கியங்கள், புதிய வாழ்க்கைச் சூழலைக் குறித்து உரையாடுவதற்குப் பயன்படுகின்றன. இரண்டு, இத்தகைய புதிய நோக்கிலான வாசிப்பு மூலம், பழைய இலக்கியங்கள் புதுப்பிக்கப்பட்டுக் காலக் கறையான கையில் சிக்காமல் தப்பித்து விடுகின்றன.

வரலாறு என்பது பழங்காலத்தைச் சமகால அரசியல் தேவைக்கேற்ப புனையப்படுகின்ற ஒன்றுதான் என்று சொல்லும் சிந்தனை முறை:

1. தொல்லியல்
2. புது வரலாற்றியல்
3. இலக்கிய வரலாற்றியல்
4. சமூக வரலாற்றியல்

Options :

485584138229. 1
485584138230. 2
485584138231. 3
485584138232. 4

Question Number : 54 Question Id : 48558434559 Question Type : MCQ Option Shuffling : No Is Question Mandatory : No Calculator : None Response Time : N.A Think Time : N.A Minimum Instruction Time : 0

Correct Marks : 5 Wrong Marks : 1

Question Key Details :

Key	Value
Comprehension	Comp1

கீழ்காணும் பத்திகளைக் கவனமாகப் படித்து பின்வரும் வினாக்களுக்கு விடையளிக்கவும்:

இலக்கியம், மனித வாழ்வில் இன்றியமையாத இடத்தைப் பெற்றுள்ளதைப் பார்த்தோம்: அதுபோலவே 'வரலாறு' என்ற ஒன்றும் மனித இருப்போடு இணைந்த ஒன்றாக அமைந்து கிடக்கிறது. தனி மனிதர்கள் தாங்கள் கடந்து வந்த இறந்தகாலம் தந்த அனுபவங்களை நிகழ்காலத் தேவைக்கேற்ப வடிவமைத்துக் கொள்வதைப் போலவே, ஒரு சமூகமும் கடந்தகால வரலாற்றைத் தன் காலத் தேவைக்கேற்ப வடிவமைத்துக்கொள்வதன் மூலம் தன்னைப் புதுப்பித்துக் கொள்கிறது. எனவே, வரலாறு என்பது வெறுமனே மனிதர்களின் பழைய வாழ்க்கை நிகழ்வுகளைக் காலவரிசைப்படித் தொகுத்துத் தருவது என்று நம்பிய காலம் மலையேறிவிட்டது. 'புது வரலாற்றியல்' சிந்தனை, வரலாறு என்பது பழங்காலத்தைச் சமகால அரசியல் தேவைக்கு ஏற்ப புனையப்படுகின்ற ஒன்றுதான் என்ற கருத்தை முன்வைக்கிறது. எனவே, இலக்கிய வரலாறு என்பதும் சமகாலத் தேவைக்கு ஏற்ப வடிவமைக்கப்படுகிற ஒன்றுதான் என்கிற புரிதல் நமக்கு வேண்டும். மனித வரலாற்றில் பொற்காலமென்று ஒன்று இருக்க முடியுமா? ஆனால் சங்ககால இலக்கியங்களைப் பொற்கால இலக்கியமென்று புனைந்தனர்; அப்படியொரு தேவை, 20 ஆம் நூற்றாண்டின் தொடக்கத்தில் வெடித்துக் கிளம்பிய தமிழ் மறுமலர்ச்சி இயக்கத்திற்கு இருந்தது. ஏறத்தாழ 1500 ஆண்டுகளுக்கு மேலாக வேற்று மொழிகளின் ஆதிக்கத்திற்குள்ளாகித் "தமிழை, ஒரு மொழியென்று சொல்லவும் கூடுமோ? வடமொழியின்றி அதனால் தனித்தியங்க இயலுமோ?" என்று சவால்விடும் அளவிற்குத் தன் நிலப்பரப்பிலேயே தாழ்ந்து கிடந்த தமிழை மீட்டெடுக்க வேண்டிய வரலாற்றுத் தேவை இருந்தது. எனவே பொற்காலம் என்ற கருத்தாக்கம் எடுபட்டது.

மு.வரதராசனாரின் இலக்கிய வரலாற்று நூல் இத்தகையக் கருத்தாக்கப் பின்னணியில் எழுதப்பட்டது தான். எஸ்.வையாபுரிப்பிள்ளை, தெ. பொ.மீனாட்சி சுந்தரனார் ஆகியோர் இந்தியத் தேசியம் என்ற கருத்தாக்கத்திற்கேற்பத் தங்கள் இலக்கிய வரலாற்றை வடிவமைத்துள்ளனர். கைலாசபதி, சிவத்தம்பி, கோ. கேசவன் ஆகியோர் வர்க்க அடிப்படையில் இலக்கிய வரலாற்றை அணுகியுள்ளனர். இத்தகையப் போக்கு, மனித வரலாற்றில் தவிர்க்க முடியாதது. எனவே, இன்றைய கால கட்டத்தின் தேவைக்கேற்ப, "புதிய வெளிச்சத்தில்-தமிழிலக்கிய வரலாறு" என்ற இந்த நூல், இன்று தமிழ் இலக்கியச் சூழலில் பெரிதும் பேசப்படும் விளிப்புநிலைக் கோட்பாட்டு மற்றும் அதிகாரம் குறித்த கோட்பாடு ஆகியவற்றை முன்னிறுத்தி எழுதப்பட்டுள்ளது. இவ்வாறு காலத்தின் தேவைக்கேற்ப, இலக்கிய வரலாறு எழுதப்படும்போது இன்றியமையாத இரண்டு விளைவுகள் ஏற்படுகின்றன. ஒன்று பழைய இலக்கியங்கள், புதிய வாழ்க்கைச் சூழலைக் குறித்து உரையாடுவதற்குப் பயன்படுகின்றன. இரண்டு, இத்தகைய புதிய நோக்கிலான வாசிப்பு மூலம், பழைய இலக்கியங்கள் புதுப்பிக்கப்பட்டுக் காலக் கறையான் கையில் சிக்காமல் தப்பித்து விடுகின்றன.

கோ. கேசவன் எந்த அடிப்படையில் இலக்கிய வரலாற்றை அணுகினார்?

1. இந்திய தேசியம்
2. பொற்காலம்
3. வர்க்கம்
4. இருண்டகாலம்

Options :

485584138233. 1
485584138234. 2
485584138235. 3
485584138236. 4

Question Number : 55 Question Id : 48558434560 Question Type : MCQ Option Shuffling : No Is Question Mandatory : No Calculator : None Response Time : N.A Think Time : N.A Minimum Instruction Time : 0

Correct Marks : 5 Wrong Marks : 1

Question Key Details :

Key	Value
Comprehension	Comp1

கீழ்காணும் பத்திகளைக் கவனமாகப் படித்து பின்வரும் வினாக்களுக்கு விடையளிக்கவும்:

இலக்கியம், மனித வாழ்வில் இன்றியமையாத இடத்தைப் பெற்றுள்ளதைப் பார்த்தோம்; அதுபோலவே 'வரலாறு' என்ற ஒன்றும் மனித இருப்போடு இணைந்த ஒன்றாக அமைந்து கிடக்கிறது. தனி மனிதர்கள் தாங்கள் கடந்து வந்த இறந்தகாலம் தந்த அனுபவங்களை நிகழ்காலத் தேவைகேற்ப வடிவமைத்துக் கொள்வதைப் போலவே, ஒரு சமூகமும் கடந்தகால வரலாற்றைத் தன் காலத் தேவைக்கேற்ப வடிவமைத்துக்கொள்வதன் மூலம் தன்னைப் புதுப்பித்துக் கொள்கிறது. எனவே, வரலாறு என்பது வெறுமனே மனிதர்களின் பழைய வாழ்க்கை நிகழ்வுகளைக் காலவரிசைப்படித் தொகுத்துத் தருவது என்று நம்பிய காலம் மலையேறிவிட்டது. 'புது வரலாற்றியல்' சிந்தனை, வரலாறு என்பது பழங்காலத்தைச் சமகால அரசியல் தேவைக்கு ஏற்ப புனையப்படுகின்ற ஒன்றுதான் என்ற கருத்தை முன்வைக்கிறது. எனவே, இலக்கிய வரலாறு என்பதும் சமகாலத் தேவைக்கு ஏற்ப வடிவமைக்கப்படுகிற ஒன்றுதான் என்கிற புரிதல் நமக்கு வேண்டும். மனித வரலாற்றில் பொற்காலமென்று ஒன்று இருக்க முடியுமா? ஆனால் சங்ககால இலக்கியங்களைப் பொற்கால இலக்கியமென்று புனைந்தனர்; அப்படியொரு தேவை, 20 ஆம் நூற்றாண்டின் தொடக்கத்தில் வெடித்துக் கிளம்பிய தமிழ் மறுமலர்ச்சி இயக்கத்திற்கு இருந்தது. ஏறத்தாழ 1500 ஆண்டுகளுக்கு மேலாக வேற்று மொழிகளின் ஆதிக்கத்திற்குள்ளாகித் "தமிழை ஒரு மொழியென்று சொல்லவும் கூடுமோ? வடமொழியின்றி அதனால் தனித்தியங்க இயலுமோ?" என்று சவால்விடும் அளவிற்குத் தன் நிலப்பரப்பிலேயே தாழ்ந்து கிடந்த தமிழை மீட்டெடுக்க வேண்டிய வரலாற்றுத் தேவை இருந்தது. எனவே பொற்காலம் என்ற கருத்தாக்கம் எடுபட்டது.

மு.வரதராசனாரின் இலக்கிய வரலாற்று நூல் இத்தகையக் கருத்தாக்கப் பின்னணியில் எழுதப்பட்டது தான். எஸ்.வையாபுரிப்பிள்ளை, தெ. பொ.மீனாட்சி சுந்தரனார் ஆகியோர் இந்தியத் தேசியம் என்ற கருத்தாக்கத்திற்கேற்பத் தங்கள் இலக்கிய வரலாற்றை வடிவமைத்துள்ளனர். கைலாசபதி, சிவத்தம்பி, கோ. கேசவன் ஆகியோர் வர்க்க அடிப்படையில் இலக்கிய வரலாற்றை அணுகியுள்ளனர். இத்தகையப் போக்கு, மனித வரலாற்றில் தவிர்க்க முடியாதது. எனவே, இன்றைய கால கட்டத்தின் தேவைக்கேற்ப, "புதிய வெளிச்சத்தில்-தமிழிலக்கிய வரலாறு" என்ற இந்த நூல், இன்று தமிழ் இலக்கியச் சூழலில் பெரிதும் பேசப்படும் விளிப்புநிலைக் கோட்பாட்டு மற்றும் அதிகாரம் குறித்த கோட்பாடு ஆகியவற்றை முன்னிறுத்தி எழுதப்பட்டுள்ளது. இவ்வாறு காலத்தின் தேவைக்கேற்ப, இலக்கிய வரலாறு எழுதப்படும்போது இன்றியமையாத இரண்டு விளைவுகள் ஏற்படுகின்றன. ஒன்று பழைய இலக்கியங்கள், புதிய வாழ்க்கைச் சூழலைக் குறித்து உரையாடுவதற்குப் பயன்படுகின்றன. இரண்டு, இத்தகைய புதிய நோக்கிலான வாசிப்பு மூலம், பழைய இலக்கியங்கள் புதுப்பிக்கப்பட்டுக் காலக் கறையான் கையில் சிக்காமல் தப்பித்து விடுகின்றன.

விளிம்புநிலை, அதிகாரம் குறித்த கோட்பாடுகளின் அடிப்படையில் எழுதப்பட்ட இலக்கிய வரலாற்று நூல் எது?

1. புதிய வெளிச்சத்தில் தமிழ் இலக்கிய வரலாறு
2. வகைமை நோக்கில் தமிழிலக்கிய வரலாறு
3. புதிய நோக்கில் தமிழ் இலக்கிய வரலாறு
4. தமிழ் இலக்கிய வரலாறு

Options :

485584138237. 1
485584138238. 2
485584138239. 3
485584138240. 4

Question Number : 56 Question Id : 48558434561 Question Type : MCQ Option Shuffling : No Is Question Mandatory : No Calculator : None Response Time : N.A Think Time : N.A Minimum Instruction Time : 0

Correct Marks : 5 Wrong Marks : 1

Question Key Details :

Key	Value
Comprehension	Comp1

கீழ்க்காணும் பத்திகளைக் கவனமாகப் படித்து பின்வரும் வினாக்களுக்கு விடையளிக்கவும்:

இலக்கியம், மனித வாழ்வில் இன்றியமையாத இடத்தைப் பெற்றுள்ளதைப் பார்த்தோம்: அதுபோலவே 'வரலாறு' என்ற ஒன்றும் மனித இருப்போடு இணைந்த ஒன்றாக அமைந்து கிடக்கிறது. தனி மனிதர்கள் தாங்கள் கடந்து வந்த இறந்தகாலம் தந்த அனுபவங்களை நிகழ்காலத் தேவைக்கேற்ப வடிவமைத்துக் கொள்வதைப் போலவே, ஒரு சமூகமும் கடந்தகால வரலாற்றைத் தன் காலத் தேவைக்கேற்ப வடிவமைத்துக்கொள்வதன் மூலம் தன்னைப் புதுப்பித்துக் கொள்கிறது. எனவே, வரலாறு என்பது வெறுமனே மனிதர்களின் பழைய வாழ்க்கை நிகழ்வுகளைக் காலவரிசைப்படித் தொகுத்துத் தருவது என்று நம்பிய காலம் மலையேறிவிட்டது. 'புது வரலாற்றியல்' சிந்தனை, வரலாறு என்பது பழங்காலத்தைச் சமகால அரசியல் தேவைக்கு ஏற்ப புனையப்படுகின்ற ஒன்றுதான் என்ற கருத்தை முன்வைக்கிறது. எனவே, இலக்கிய வரலாறு என்பதும் சமகாலத் தேவைக்கு ஏற்ப வடிவமைக்கப்படுகிற ஒன்றுதான் என்கிற புரிதல் நமக்கு வேண்டும். மனித வரலாற்றில் பொற்காலமென்று ஒன்று இருக்க முடியுமா? ஆனால் சங்ககால இலக்கியங்களைப் பொற்கால இலக்கியமென்று புனைந்தனர்; அப்படியொரு தேவை, 20 ஆம் நூற்றாண்டின் தொடக்கத்தில் வெடித்துக் கிளம்பிய தமிழ் மறுமலர்ச்சி இயக்கத்திற்கு இருந்தது. ஏறத்தாழ 1500 ஆண்டுகளுக்கு மேலாக வேற்று மொழிகளின் ஆதிக்கத்திற்குள்ளாகித் "தமிழை, ஒரு மொழியென்று சொல்லவும் கூடுமோ? வடமொழியின்றி அதனால் தனித்தியங்க இயலுமோ?" என்று சவால்விடும் அளவிற்குத் தன் நிலப்பரப்பிலேயே தாழ்ந்து கிடந்த தமிழை மீட்டெடுக்க வேண்டிய வரலாற்றுத் தேவை இருந்தது. எனவே பொற்காலம் என்ற கருத்தாக்கம் எடுபட்டது.

மு.வரதராசனாரின் இலக்கிய வரலாற்று நூல் இத்தகையக் கருத்தாக்கப் பின்னணியில் எழுதப்பட்டது தான். எஸ்.வையாபுரிப்பிள்ளை, தெ. பொ.மீனாட்சி சுந்தரனார் ஆகியோர் இந்தியத் தேசியம் என்ற கருத்தாக்கத்திற்கேற்பத் தங்கள் இலக்கிய வரலாற்றை வடிவமைத்துள்ளனர். கைலாசபதி, சிவத்தம்பி, கோ. கேசவன் ஆகியோர் வர்க்க அடிப்படையில் இலக்கிய வரலாற்றை அணுகியுள்ளனர். இத்தகையப் போக்கு, மனித வரலாற்றில் தவிர்க்க முடியாதது. எனவே, இன்றைய கால கட்டத்தின் தேவைக்கேற்ப, "புதிய வெளிச்சத்தில்-தமிழிலக்கிய வரலாறு" என்ற இந்த நூல், இன்று தமிழ் இலக்கியச் சூழலில் பெரிதும் பேசப்படும் விளிம்புநிலைக் கோட்பாட்டு மற்றும் அதிகாரம் குறித்த கோட்பாடு ஆகியவற்றை முன்னிறுத்தி எழுதப்பட்டுள்ளது. இவ்வாறு காலத்தின் தேவைக்கேற்ப, இலக்கிய வரலாறு எழுதப்படும்போது இன்றியமையாத இரண்டு விளைவுகள் ஏற்படுகின்றன. ஒன்று பழைய இலக்கியங்கள், புதிய வாழ்க்கைச் சூழலைக் குறித்து உரையாடுவதற்குப் பயன்படுகின்றன. இரண்டு, இத்தகைய புதிய நோக்கிலான வாசிப்பு மூலம், பழைய இலக்கியங்கள் புதுப்பிக்கப்பட்டுக் காலக் கறையான கையில் சிக்காமல் தப்பித்து விடுகின்றன.

இந்தியத் தேசியம் என்ற கருத்தாக்கத்தில் தமிழ் இலக்கிய வரலாற்றை அணுகியவர்களில் ஒருவர்

1. எஸ். வையாபுரிப்பிள்ளை
2. மு. வரதராசனார்
3. கோ. கேசவன்
4. க. கைலாசபதி

Options :

485584138241. 1
485584138242. 2
485584138243. 3
485584138244. 4

Question Number : 57 Question Id : 48558434562 Question Type : MCQ Option Shuffling : No Is Question Mandatory : No Calculator : None Response Time : N.A Think Time : N.A Minimum Instruction Time : 0

Correct Marks : 5 Wrong Marks : 1

Question Key Details :

Key	Value
Comprehension	Compl

கீழ்காணும் பத்திகளைக் கவனமாகப் படித்து பின்வரும் வினாக்களுக்கு விடையளிக்கவும்:

இலக்கியம், மனித வாழ்வில் இன்றியமையாத இடத்தைப் பெற்றுள்ளதைப் பார்த்தோம்; அதுபோலவே 'வரலாறு' என்ற ஒன்றும் மனித இருப்போடு இணைந்த ஒன்றாக அமைந்து கிடக்கிறது. தனி மனிதர்கள் தாங்கள் கடந்து வந்த இறந்தகாலம் தந்த அனுபவங்களை நிகழ்காலத் தேவைகேற்ப வடிவமைத்துக் கொள்வதைப் போலவே, ஒரு சமூகமும் கடந்தகால வரலாற்றைத் தன் காலத் தேவைக்கேற்ப வடிவமைத்துக்கொள்வதன் மூலம் தன்னைப் புதுப்பித்துக் கொள்கிறது. எனவே, வரலாறு என்பது வெறுமனே மனிதர்களின் பழைய வாழ்க்கை நிகழ்வுகளைக் காலவரிசைப்படுத்தி தொகுத்துத் தருவது என்று நம்பிய காலம் மலையேறிவிட்டது. 'புது வரலாற்றியல்' சிந்தனை, வரலாறு என்பது பழங்காலத்தைச் சமகால அரசியல் தேவைக்கு ஏற்ப புனையப்படுகின்ற ஒன்றுதான் என்ற கருத்தை முன்வைக்கிறது. எனவே, இலக்கிய வரலாறு என்பதும் சமகாலத் தேவைக்கு ஏற்ப வடிவமைக்கப்படுகின்ற ஒன்றுதான் என்கிற புரிதல் நமக்கு வேண்டும். மனித வரலாற்றில் பொற்காலமென்று ஒன்று இருக்க முடியுமா? ஆனால் சங்ககால இலக்கியங்களைப் பொற்கால இலக்கியமென்று புனைந்தனர்; அப்படியொரு தேவை, 20 ஆம் நூற்றாண்டின் தொடக்கத்தில் வெடித்துக் கிளம்பிய தமிழ் மறுமலர்ச்சி இயக்கத்திற்கு இருந்தது. ஏறத்தாழ 1500 ஆண்டுகளுக்கு மேலாக வேற்று மொழிகளின் ஆதிக்கத்திற்குள்ளாகித் "தமிழை, ஒரு மொழியென்று சொல்லவும் கூடுமோ? வடமொழியின்றி அதனால் தனித்தியங்க இயலுமோ?" என்று சவால்விடும் அளவிற்குத் தன் நிலப்பரப்பிலேயே தாழ்ந்து கிடந்த தமிழை மீட்டெடுக்க வேண்டிய வரலாற்றுத் தேவை இருந்தது. எனவே பொற்காலம் என்ற கருத்தாக்கம் எடுபட்டது.

மு.வரதராசனாரின் இலக்கிய வரலாற்று நூல் இத்தகையக் கருத்தாக்கப் பின்னணியில் எழுதப்பட்டது தான். எஸ்.வையாபுரிப்பிள்ளை, தெ. பொ.மீனாட்சி சுந்தரனார் ஆகியோர் இந்தியத் தேசியம் என்ற கருத்தாக்கத்திற்கேற்பத் தங்கள் இலக்கிய வரலாற்றை வடிவமைத்துள்ளனர். கைலாசபதி, சிவத்தம்பி, கோ. கேசவன் ஆகியோர் வர்க்க அடிப்படையில் இலக்கிய வரலாற்றை அணுகியுள்ளனர். இத்தகையப் போக்கு, மனித வரலாற்றில் தவிர்க்க முடியாதது. எனவே, இன்றைய கால கட்டத்தின் தேவைக்கேற்ப, "புதிய வெளிச்சத்தில்-தமிழிலக்கிய வரலாறு" என்ற இந்த நூல், இன்று தமிழ் இலக்கியச் சூழலில் பெரிதும் பேசப்படும் விளிப்புநிலைக் கோட்பாட்டு மற்றும் அதிகாரம் குறித்த கோட்பாடு ஆகியவற்றை முன்னிறுத்தி எழுதப்பட்டுள்ளது. இவ்வாறு காலத்தின் தேவைக்கேற்ப, இலக்கிய வரலாறு எழுதப்படும்போது இன்றியமையாத இரண்டு விளைவுகள் ஏற்படுகின்றன. ஒன்று பழைய இலக்கியங்கள், புதிய வாழ்க்கைச் சூழலைக் குறித்து உரையாடுவதற்குப் பயன்படுகின்றன. இரண்டு, இத்தகைய புதிய நோக்கிலான வாசிப்பு மூலம், பழைய இலக்கியங்கள் புதுப்பிக்கப்பட்டுக் காலக் கறையான கையில் சிக்காமல் தப்பித்து விடுகின்றன.

புதுமையான வாசிப்பு முறைகளால் பழைய இலக்கியங்களுக்கு ஏற்படும் நன்மைகளுள் ஒன்று

1. பழையமையைப் பேசுதல்
2. புதுப்பிக்கப்படுதல்
3. புதிய வாழ்க்கைச் சூழலைப் பேசுதல்
4. வரலாற்றைக் கட்டமைத்தல்

Options :

485584138245. 1
485584138246. 2
485584138247. 3
485584138248. 4

Sub-Section Number : 2
Sub-Section Id : 4855842523
Question Shuffling Allowed : No
Is Section Default? : null

Question Number : 58 Question Id : 48558434563 Question Type : MCQ Option Shuffling : No Is Question Mandatory : No Calculator : None Response Time : N.A Think Time : N.A Minimum Instruction Time : 0

Correct Marks : 5 Wrong Marks : 1

Question Key Details :

Key	Value
Comprehension	Comp2

கீழ்க்காணும் பத்திகளைக் கவனமாகப் படித்து பின்வரும் வினாக்களுக்கு விடையளிக்கவும்.

இராமாயணமும் மகாபாரதமும் இந்தியாவின் மிகப்பெரிய இதிகாசங்கள். எனவே வால்மீகியின் இராமாயணத்தை அடுத்துத் தோன்றிய வியாசரின் மகாபாரதமும் இந்தியாவிலுள்ள பிறமொழிகள் பலவற்றிலும் தழுவிய எழுதப்பட்டுள்ளது. தமிழிலும் கி.பி. நான்காம் நூற்றாண்டில் இருந்தே பாரதக் கதைகளைத் தழுவிய எழுதும் போக்குத் தோன்றிவிட்டது என அறிகிறோம். 'பாரதம் பாடிய பெருந்தேவனார்' என்றே ஒரு புலவர் அழைக்கப்படுகிறார். இவர் சங்க இலக்கியங்கள் தொகுக்கப்பட்ட கி.பி. நான்காம் நூற்றாண்டு அளவில், அத்தொகுப்பு நூல்கள் சிலவற்றிற்குக் கடவுள் வாழ்த்து எழுதிச் சேர்த்துள்ளார். இவர்தான் பாரதத்தையும் எழுதியுள்ளார். எனவே, பாரதம் பாடிய தேவனார் என்று சுட்டப்படுகிறார். ஆனால், இவர் எழுதிய அந்தப் பாரதம் தொலைந்து போன தமிழ்நூல்கள் பட்டியலில் சேர்ந்துவிட்டது. இடைக்கால உரையாசிரியர்கள், அவர் எழுதிய பாடல்களை மேற்கோளாக எடுத்துக் காட்டுகின்றனர். அந்தச் சில பாடல்கள் மூலம், இவர் பாரதத்தை அகவற்பாவில் பாடியுள்ளார்; சங்க இலக்கிய நடைவிலேயே எழுதியுள்ளார்; உரைநடையும் கலந்து அமைந்துள்ளது ஆகிய செய்திகளை அறிந்துகொள்ள முடிகிறது.

தொடர்ந்து கி.பி. 9 ஆம் நூற்றாண்டில் நந்திவர்மன் என்ற பல்லவ மன்னன் காலத்தில் வடமொழியும் தமிழும் கலந்த மணிப்பிரவாள நடையில் ஒரு பாரதம் தோன்றியுள்ளது. அது 'பாரத வெண்பா' என்று அழைக்கப்படுகிறது. அதுவும் ஒரு சில பாடல்களே கிடைக்கின்றன. மேலும் கி.பி. 13 ஆம் நூற்றாண்டில் அருணாசல விசாகர் என்பார் எழுதிய பாரதமும் நிலைபெறவில்லை. கி.பி.14 ஆம் நூற்றாண்டில் வாழ்ந்த வில்லிபுத்தூரார் மகாபாரதம்தான் 'வில்லிபாரதம்' என்ற பெயரில் தமிழில் சிறப்புடன் விளங்குகிறது.

வில்லிபுத்தூரார் திருமுனைப்பாடி நாட்டில் சனிசூர் என்ற பெயருடைய ஊரில் பிறந்தார். வரபதி ஆட்கொண்டான் என்ற மன்னன் புரவலராக இருந்து இவரை ஆதரித்துள்ளான். எனவே பாரதக் கதைகளில் ஆய்வு மேற்கொண்டு, வியாசரின் மகாபாரதத்தை மட்டும் பின்பற்றி எழுதாமல், சமஸ்கிருதத்தில் அகத்தியபட்டர் என்பார் எழுதிய பாலபாரம் என்ற நூலையும், தமிழில் நந்திவர்மன் காலத்தில் தோன்றிய பாரத வெண்பா என்ற தமிழ் நூலையும் பின்பற்றி எழுதியுள்ளார்.

வில்லிபாரதம் - ஆதிபருவம், சபாபருவம், ஆரண்ய பருவம் முதலிய பத்துப் பருவங்களால் ஆனது, 4339 விருத்தப்பாக்களைக் கொண்டுள்ளது. வைணவக் கடவுளான கண்ணன் அவதாரத்தைப் பாடும் வில்லிபுத்தூரார், சமயப் பொதுமை நோக்குடையவராகப் புலப்படுகிறார். தனது பாரதத்தில், சைவக் கடவுளான சிவபெருமான் குறித்து ஏறத்தாழ 270 பாடல்கள் பாடியிருப்பது அன்றைய சமயச் சூழலில் எளிய ஒரு செய்தி அல்ல. இந்நூலின் பாயிரத்தில் உள்ள ஒரு பாடல், தமிழ் மொழியை பொதிகை மலையில் பிறந்து, பாண்டியன் புகழிலே கிடந்து, தமிழ்ச் சங்கத்தின் இருப்பிலே இருந்து, வைகை ஏட்டிலே தவழ்ந்து, நெருப்பிலே நின்று, கற்றோர் நினைவிலே நடந்து வளர்கின்ற பாவை என்று வணங்கிப்பாடுவது புதுமையாக இருக்கிறது.

தமிழில் பாரதக் கதைகளைத் தழுவிய எழுதும் போக்கு தோன்றிய நூற்றாண்டு எது?

1. கி.பி. இரண்டாம் நூற்றாண்டு
2. கி.பி. ஐந்தாம் நூற்றாண்டு
3. கி.பி. நான்காம் நூற்றாண்டு
4. கி.பி. மூன்றாம் நூற்றாண்டு

Options :

485584138249. 1
485584138250. 2
485584138251. 3
485584138252. 4

Question Number : 59 Question Id : 48558434564 Question Type : MCQ Option Shuffling : No Is Question Mandatory : No Calculator : None Response Time : N.A Think Time : N.A Minimum Instruction Time : 0

Correct Marks : 5 Wrong Marks : 1

Question Key Details :

Key	Value
Comprehension	Comp2

கீழ்க்காணும் பத்திகளைக் கவனமாகப் படித்து பின்வரும் வினாக்களுக்கு விடையளிக்கவும்.

இராமாயணமும் மகாபாரதமும் இந்தியாவின் மிகப்பெரிய இதிகாசங்கள். எனவே வால்மீகியின் இராமாயணத்தை அடுத்துத் தோன்றிய வியாசரின் மகாபாரதமும் இந்தியாவிலுள்ள பிறமொழிகள் பலவற்றிலும் தழுவிய எழுதப்பட்டுள்ளது. தமிழிலும் கி.பி. நான்காம் நூற்றாண்டில் இருந்தே பாரதக் கதைகளைத் தழுவிய எழுதும் போக்குத் தோன்றிவிட்டது என அறிகிறோம். 'பாரதம் பாடிய பெருந்தேவனார்' என்றே ஒரு புலவர் அழைக்கப்படுகிறார். இவர் சங்க இலக்கியங்கள் தொகுக்கப்பட்ட கி.பி. நான்காம் நூற்றாண்டு அளவில், அத்தொகுப்பு நூல்கள் சிலவற்றிற்குக் கடவுள் வாழ்த்து எழுதிச் சேர்த்துள்ளார். இவர்தான் பாரதத்தையும் எழுதியுள்ளார். எனவே, பாரதம் பாடிய தேவனார் என்று சுட்டப்படுகிறார். ஆனால், இவர் எழுதிய அந்தப் பாரதம் தொலைந்து போன தமிழ்நூல்கள் பட்டியலில் சேர்ந்துவிட்டது. இடைக்கால உரையாசிரியர்கள், அவர் எழுதிய பாடல்களை மேற்கோளாக எடுத்துக் காட்டுகின்றனர். அந்தச் சில பாடல்கள் மூலம், இவர் பாரதத்தை அகவற்பாவில் பாடியுள்ளார்; சங்க இலக்கிய நூடையிலேயே எழுதியுள்ளார்; உரைநடையும் கலந்து அமைந்துள்ளது ஆகிய செய்திகளை அறிந்துகொள்ள முடிகிறது.

தொடர்ந்து கி.பி. 9 ஆம் நூற்றாண்டில் நந்திவர்மன் என்ற பல்லவ மன்னன் காலத்தில் வடமொழியும் தமிழும் கலந்த மணிப்பிரவாள நூடையில் ஒரு பாரதம் தோன்றியுள்ளது. அது 'பாரத வெண்பா' என்று அழைக்கப்படுகிறது. அதுவும் ஒரு சில பாடல்களே கிடைக்கின்றன. மேலும் கி.பி. 13 ஆம் நூற்றாண்டில் அருணிலை விசாகர் என்பார் எழுதிய பாரதமும் நிலைபெறவில்லை. கி.பி.14 ஆம் நூற்றாண்டில் வாழ்ந்த வில்லிபுத்தூரார் மகாபாரதம்தான் 'வில்லிபாரதம்' என்ற பெயரில் தமிழில் சிறப்புடன் விளங்குகிறது.

வில்லிபுத்தூரார் திருமுனைப்பாடி நாட்டில் சனிசூர் என்ற பெயருடைய ஊரில் பிறந்தார். வரபதி ஆட்கொண்டான் என்ற மன்னன் புரவலராக இருந்து இவரை ஆதரித்துள்ளான். எனவே பாரதக் கதைகளில் ஆய்வு மேற்கொண்டு, வியாசரின் மகாபாரதத்தை மட்டும் பின்பற்றி எழுதாமல், சமஸ்கிருதத்தில் அகத்தியபட்டர் என்பார் எழுதிய பாலபாரம் என்ற நூலையும், தமிழில் நந்திவர்மன் காலத்தில் தோன்றிய பாரத வெண்பா என்ற தமிழ் நூலையும் பின்பற்றி எழுதியுள்ளார்.

வில்லிபாரதம் - ஆதிபருவம், சபாபருவம், ஆரண்ய பருவம் முதலிய பத்துப் பருவங்களால் ஆனது, 4339 விருத்தப்பாக்களைக் கொண்டுள்ளது. வைணவக் கடவுளான கண்ணன் அவதாரத்தைப் பாடும் வில்லிபுத்தூரார், சமயப் பொதுமை நோக்குடையவராகப் புலப்படுகிறார். தனது பாரதத்தில், சைவக் கடவுளான சிவபெருமான் குறித்து ஏறத்தாழ 270 பாடல்கள் பாடியிருப்பது அன்றைய சமயச் சூழலில் எளிய ஒரு செய்தி அல்ல. இந்நூலின் பாயிரத்தில் உள்ள ஒரு பாடல், தமிழ் மொழியை பொதிகை மலையில் பிறந்து, பாண்டியன் புகழிலே கிடந்து, தமிழ்ச் சங்கத்தின் இருப்பிலே இருந்து, வைகை ஏட்டிலே தவழ்ந்து, நெருப்பிலே நின்று, கற்றோர் நினைவிலே நடந்து வளர்கின்ற பாவை என்று வணங்கிப்பாடுவது புதுமையாக இருக்கிறது.

தொகுப்பு நூல்கள் சிலவற்றிற்குக் கடவுள் வாழ்த்து எழுதிச் சேர்த்த புலவர் பெயர்:

1. பாரதம் பாடிய பெருந்தேவனார்
2. நந்தி வர்மன்
3. அருணிலை விசாகர்
4. வில்லிபுத்தூரார்

Options :

485584138253. 1
485584138254. 2
485584138255. 3
485584138256. 4

Question Number : 60 Question Id : 48558434565 Question Type : MCQ Option Shuffling : No Is Question Mandatory : No Calculator : None Response Time : N.A Think Time : N.A Minimum Instruction Time : 0

Correct Marks : 5 Wrong Marks : 1

Question Key Details :

Key	Value
Comprehension	Comp2

கீழ்க்காணும் பத்திகளைக் கவனமாகப் படித்து பின்வரும் வினாக்களுக்கு விடையளிக்கவும்.

இராமாயணமும் மகாபாரதமும் இந்தியாவின் மிகப்பெரிய இதிகாசங்கள். எனவே வால்மீகியின் இராமாயணத்தை அடுத்துத் தோன்றிய வியாசரின் மகாபாரதமும் இந்தியாவிலுள்ள பிறமொழிகள் பலவற்றிலும் தழுவிய எழுதப்பட்டுள்ளது. தமிழிலும் கி.பி. நான்காம் நூற்றாண்டில் இருந்தே பாரதக் கதைகளைத் தழுவிய எழுதும் போக்குத் தோன்றிவிட்டது என அறிகிறோம். 'பாரதம் பாடிய பெருந்தேவனார்' என்றே ஒரு புலவர் அழைக்கப்படுகிறார். இவர் சங்க இலக்கியங்கள் தொகுக்கப்பட்ட கி.பி. நான்காம் நூற்றாண்டு அளவில், அத்தொகுப்பு நூல்கள் சிலவற்றிற்குக் கடவுள் வாழ்த்து எழுதிச் சேர்த்துள்ளார். இவர்தான் பாரதத்தையும் எழுதியுள்ளார். எனவே, பாரதம் பாடிய தேவனார் என்று சுட்டப்படுகிறார். ஆனால், இவர் எழுதிய அந்தப் பாரதம் தொலைந்து போன தமிழ்நூல்கள் பட்டியலில் சேர்ந்துவிட்டது. இடைக்கால உரையாசிரியர்கள், அவர் எழுதிய பாடல்களை மேற்கோளாக எடுத்துக் காட்டுகின்றனர். அந்தச் சில பாடல்கள் மூலம், இவர் பாரதத்தை அகவற்பாவில் பாடியுள்ளார்; சங்க இலக்கிய நடையிலேயே எழுதியுள்ளார்; உரைநடையும் கலந்து அமைந்துள்ளது ஆகிய செய்திகளை அறிந்துகொள்ள முடிகிறது.

தொடர்ந்து கி.பி. 9 ஆம் நூற்றாண்டில் நந்திவர்மன் என்ற பல்லவ மன்னன் காலத்தில் வடமொழியும் தமிழும் கலந்த மணிப்பிரவாள நடையில் ஒரு பாரதம் தோன்றியுள்ளது. அது 'பாரத வெண்பா' என்று அழைக்கப்படுகிறது. அதுவும் ஒரு சில பாடல்களே கிடைக்கின்றன. மேலும் கி.பி. 13 ஆம் நூற்றாண்டில் அருணிலை விசாகர் என்பார் எழுதிய பாரதமும் நிலைபெறவில்லை. கி.பி.14 ஆம் நூற்றாண்டில் வாழ்ந்த வில்லிபுத்தூரார் மகாபாரதம்தான் 'வில்லிபாரதம்' என்ற பெயரில் தமிழில் சிறப்புடன் விளங்குகிறது.

வில்லிபுத்தூரார் திருமுனைப்பாடி நாட்டில் சனிசூர் என்ற பெயருடைய ஊரில் பிறந்தார். வரபதி ஆட்கொண்டான் என்ற மன்னன் புரவலராக இருந்து இவரை ஆதரித்துள்ளான். எனவே பாரதக் கதைகளில் ஆய்வு மேற்கொண்டு, வியாசரின் மகாபாரதத்தை மட்டும் பின்பற்றி எழுதாமல், சமஸ்கிருதத்தில் அகத்தியபட்டர் என்பார் எழுதிய பாலபாரம் என்ற நூலையும், தமிழில் நந்திவர்மன் காலத்தில் தோன்றிய பாரத வெண்பா என்ற தமிழ் நூலையும் பின்பற்றி எழுதியுள்ளார்.

வில்லிபாரதம் - ஆதிபருவம், சபாபருவம், ஆரண்ய பருவம் முதலிய பத்துப் பருவங்களால் ஆனது, 4339 விருத்தப்பாக்களைக் கொண்டுள்ளது. வைணவக் கடவுளான கண்ணன் அவதாரத்தைப் பாடும் வில்லிபுத்தூரார், சமயப் பொதுமை நோக்குடையவராகப் புலப்படுகிறார். தனது பாரதத்தில், சைவக் கடவுளான சிவபெருமான் குறித்து ஏறத்தாழ 270 பாடல்கள் பாடியிருப்பது அன்றைய சமயச் சூழலில் எளிய ஒரு செய்தி அல்ல. இந்நூலின் பாயிரத்தில் உள்ள ஒரு பாடல், தமிழ் மொழியை பொதிகை மலையில் பிறந்து, பாண்டியன் புகழிலே கிடந்து, தமிழ்ச் சங்கத்தின் இருப்பிலே இருந்து, வைகை ஏட்டிலே தவழ்ந்து, நெருப்பிலே நின்று, கற்றோர் நினைவிலே நடந்து வளர்கின்ற பாவை என்று வணங்கிப்பாடுவது புதுமையாக இருக்கிறது.

மணிப்பிரவாள நடை என்பது எந்த இரு மொழிகளின் கலவை?

1. பிராகிருதமும் தமிழும்
2. பாலியும் தமிழும்
3. வடமொழியும் தமிழும்
4. தெலுங்கும் தமிழும்

Options :

485584138257. 1
485584138258. 2
485584138259. 3
485584138260. 4

Question Number : 61 Question Id : 48558434566 Question Type : MCQ Option Shuffling : No Is Question Mandatory : No Calculator : None Response Time : N.A Think Time : N.A Minimum Instruction Time : 0

Correct Marks : 5 Wrong Marks : 1

Question Key Details :

Key	Value
Comprehension	Comp2

கீழ்க்காணும் பத்திகளைக் கவனமாகப் படித்து பின்வரும் வினாக்களுக்கு விடையளிக்கவும்.

இராமாயணமும் மகாபாரதமும் இந்தியாவின் மிகப்பெரிய இதிகாசங்கள். எனவே வால்மீகியின் இராமாயணத்தை அடுத்துத் தோன்றிய வியாசரின் மகாபாரதமும் இந்தியாவிலுள்ள பிறமொழிகள் பலவற்றிலும் தழுவிய எழுதப்பட்டுள்ளது. தமிழிலும் கி.பி. நான்காம் நூற்றாண்டில் இருந்தே பாரதக் கதைகளைத் தழுவிய எழுதும் போக்குத் தோன்றிவிட்டது என அறிகிறோம். 'பாரதம் பாடிய பெருந்தேவனார்' என்றே ஒரு புலவர் அழைக்கப்படுகிறார். இவர் சங்க இலக்கியங்கள் தொகுக்கப்பட்ட கி.பி. நான்காம் நூற்றாண்டு அளவில், அத்தொகுப்பு நூல்கள் சிலவற்றிற்குக் கடவுள் வாழ்த்து எழுதிச் சேர்த்துள்ளார். இவர்தான் பாரதத்தையும் எழுதியுள்ளார். எனவே, பாரதம் பாடிய தேவனார் என்று சுட்டப்படுகிறார். ஆனால், இவர் எழுதிய அந்தப் பாரதம் தொலைந்து போன தமிழ்நூல்கள் பட்டியலில் சேர்ந்துவிட்டது. இடைக்கால உரையாசிரியர்கள், அவர் எழுதிய பாடல்களை மேற்கோளாக எடுத்துக் காட்டுகின்றனர். அந்தச் சில பாடல்கள் மூலம், இவர் பாரதத்தை அகவற்பாவில் பாடியுள்ளார்; சங்க இலக்கிய நூடையிலேயே எழுதியுள்ளார்; உரைநடையும் கலந்து அமைந்துள்ளது ஆகிய செய்திகளை அறிந்துகொள்ள முடிகிறது.

தொடர்ந்து கி.பி. 9 ஆம் நூற்றாண்டில் நந்திவர்மன் என்ற பல்லவ மன்னன் காலத்தில் வடமொழியும் தமிழும் கலந்த மணிப்பிரவாள நூடையில் ஒரு பாரதம் தோன்றியுள்ளது. அது 'பாரத வெண்பா' என்று அழைக்கப்படுகிறது. அதுவும் ஒரு சில பாடல்களே கிடைக்கின்றன. மேலும் கி.பி. 13 ஆம் நூற்றாண்டில் அருணிலை விசாகர் என்பார் எழுதிய பாரதமும் நிலைபெறவில்லை. கி.பி.14 ஆம் நூற்றாண்டில் வாழ்ந்த வில்லிபுத்தூரார் மகாபாரதம்தான் 'வில்லிபாரதம்' என்ற பெயரில் தமிழில் சிறப்புடன் விளங்குகிறது.

வில்லிபுத்தூரார் திருமுனைப்பாடி நாட்டில் சனிசூர் என்ற பெயருடைய ஊரில் பிறந்தார். வரபதி ஆட்கொண்டான் என்ற மன்னன் புரவலராக இருந்து இவரை ஆதரித்துள்ளான். எனவே பாரதக் கதைகளில் ஆய்வு மேற்கொண்டு, வியாசரின் மகாபாரதத்தை மட்டும் பின்பற்றி எழுதாமல், சமஸ்கிருதத்தில் அகத்தியப்பட்டர் என்பார் எழுதிய பாஸ்பாரம் என்ற நூலையும், தமிழில் நந்திவர்மன் காலத்தில் தோன்றிய பாரத வெண்பா என்ற தமிழ் நூலையும் பின்பற்றி எழுதியுள்ளார்.

வில்லிபாரதம் - ஆதிபருவம், சபாபருவம், ஆரண்ய பருவம் முதலிய பத்துப் பருவங்களால் ஆனது, 4339 விருத்தப்பாக்களைக் கொண்டுள்ளது. வைணவக் கடவுளான கண்ணன் அவதாரத்தைப் பாடும் வில்லிபுத்தூரார், சமயப் பொதுமை நோக்குடையவராகப் புலப்படுகிறார். தனது பாரதத்தில், சைவக் கடவுளான சிவபெருமான் குறித்து ஏறத்தாழ 270 பாடல்கள் பாடியிருப்பது அன்றைய சமயச் சூழலில் எளிய ஒரு செய்தி அல்ல. இந்நூலின் பாயிரத்தில் உள்ள ஒரு பாடல், தமிழ் மொழியை பொதிகை மலையில் பிறந்து, பாண்டியன் புகழிலே கிடந்து, தமிழ்ச் சங்கத்தின் இருப்பிலே இருந்து, வைகை ஏட்டிலே தவழ்ந்து, நெருப்பிலே நின்று, கற்றோர் நினைவிலே நடந்து வளர்கின்ற பாவை என்று வணங்கிப்பாடுவது புதுமையாக இருக்கிறது.

கி.பி. 13 ஆம் நூற்றாண்டில் தோன்றி நிலைபெறாமல் போன பாரதத்தின் ஆசிரியர் யார்?

1. வியாசர்
2. பாரதம் பாடிய தேவனார்
3. அகத்தியப்பட்டர்
4. அருணிலை விசாகர்

Options :

485584138261. 1
485584138262. 2
485584138263. 3
485584138264. 4

Question Number : 62 Question Id : 48558434567 Question Type : MCQ Option Shuffling : No Is Question Mandatory : No Calculator : None Response Time : N.A Think Time : N.A Minimum Instruction Time : 0

Correct Marks : 5 Wrong Marks : 1

Question Key Details :

Key	Value
Comprehension	Comp2

கீழ்க்காணும் பத்திகளைக் கவனமாகப் படித்து பின்வரும் வினாக்களுக்கு விடையளிக்கவும்.

இராமாயணமும் மகாபாரதமும் இந்தியாவின் மிகப்பெரிய இதிகாசங்கள். எனவே வால்மீகியின் இராமாயணத்தை அடுத்துத் தோன்றிய வியாசரின் மகாபாரதமும் இந்தியாவிலுள்ள பிறமொழிகள் பலவற்றிலும் தழுவிய எழுதப்பட்டுள்ளது. தமிழிலும் கி.பி. நான்காம் நூற்றாண்டில் இருந்தே பாரதக் கதைகளைத் தழுவிய எழுதும் போக்குத் தோன்றிவிட்டது என அறிகிறோம். 'பாரதம் பாடிய பெருந்தேவனார்' என்றே ஒரு புலவர் அழைக்கப்படுகிறார். இவர் சங்க இலக்கியங்கள் தொகுக்கப்பட்ட கி.பி. நான்காம் நூற்றாண்டு அளவில், அத்தொகுப்பு நூல்கள் சிலவற்றிற்குக் கடவுள் வாழ்த்து எழுதிச் சேர்த்துள்ளார். இவர்தான் பாரதத்தையும் எழுதியுள்ளார். எனவே, பாரதம் பாடிய தேவனார் என்று சுட்டப்படுகிறார். ஆனால், இவர் எழுதிய அந்தப் பாரதம் தொலைந்து போன தமிழ்நூல்கள் பட்டியலில் சேர்ந்துவிட்டது. இடைக்கால உரையாசிரியர்கள், அவர் எழுதிய பாடல்களை மேற்கோளாக எடுத்துக் காட்டுகின்றனர். அந்தச் சில பாடல்கள் மூலம், இவர் பாரதத்தை அகவற்பாவில் பாடியுள்ளார்; சங்க இலக்கிய நடையிலேயே எழுதியுள்ளார்; உரைநடையும் கலந்து அமைந்துள்ளது ஆகிய செய்திகளை அறிந்துகொள்ள முடிகிறது.

தொடர்ந்து கி.பி. 9 ஆம் நூற்றாண்டில் நந்திவர்மன் என்ற பல்லவ மன்னன் காலத்தில் வடமொழியும் தமிழும் கலந்த மணிப்பிரவாள நடையில் ஒரு பாரதம் தோன்றியுள்ளது. அது 'பாரத வெண்பா' என்று அழைக்கப்படுகிறது. அதுவும் ஒரு சில பாடல்களே கிடைக்கின்றன. மேலும் கி.பி. 13 ஆம் நூற்றாண்டில் அருணிலை விசாகர் என்பார் எழுதிய பாரதமும் நிலைபெறவில்லை. கி.பி.14 ஆம் நூற்றாண்டில் வாழ்ந்த வில்லிபுத்தூரார் மகாபாரதம்தான் 'வில்லிபாரதம்' என்ற பெயரில் தமிழில் சிறப்புடன் விளங்குகிறது.

வில்லிபுத்தூரார் திருமுனைப்பாடி நாட்டில் சனிசூர் என்ற பெயருடைய ஊரில் பிறந்தார். வரபதி ஆட்கொண்டான் என்ற மன்னன் புரவலராக இருந்து இவரை ஆதரித்துள்ளான். எனவே பாரதக் கதைகளில் ஆய்வு மேற்கொண்டு, வியாசரின் மகாபாரதத்தை மட்டும் பின்பற்றி எழுதாமல், சமஸ்கிருதத்தில் அகத்தியபட்டர் என்பார் எழுதிய பாலபாரம் என்ற நூலையும், தமிழில் நந்திவர்மன் காலத்தில் தோன்றிய பாரத வெண்பா என்ற தமிழ் நூலையும் பின்பற்றி எழுதியுள்ளார்.

வில்லிபாரதம் - ஆதிபருவம், சபாபருவம், ஆரண்ய பருவம் முதலிய பத்துப் பருவங்களால் ஆனது, 4339 விருத்தப்பாக்களைக் கொண்டுள்ளது. வைணவக் கடவுளான கண்ணன் அவதாரத்தைப் பாடும் வில்லிபுத்தூரார், சமயப் பொதுமை நோக்குடையவராகப் புலப்படுகிறார். தனது பாரதத்தில், சைவக் கடவுளான சிவபெருமான குறித்து ஏறத்தாழ 270 பாடல்கள் பாடியிருப்பது அன்றைய சமயச் சூழலில் எளிய ஒரு செய்தி அல்ல. இந்நூலின் பாயிரத்தில் உள்ள ஒரு பாடல், தமிழ் மொழியை பொதிகை மலையில் பிறந்து, பாண்டியன் புகழிலே கிடந்து, தமிழ்ச் சங்கத்தின் இருப்பிலே இருந்து, வைகை ஏட்டிலே தவழ்ந்து, நெருப்பிலே நின்று, கற்றோர் நினைவிலே நடந்து வளர்கின்ற பாவை என்று வணங்கிப்பாடுவது புதுமையாக இருக்கிறது.

எந்தச் சமயத்தைப் பாடியதால் வில்லிபுத்தூரார் சமயப் பொதுமை நோக்குடையவராக அறியப்படுகிறார்?

1. வைணவம்
2. சைவம்
3. சமணம்
4. பௌத்தம்

Options :

485584138265. 1
485584138266. 2
485584138267. 3
485584138268. 4

Question Number : 63 Question Id : 48558434568 Question Type : MCQ Option Shuffling : No Is Question Mandatory : No Calculator : None Response Time : N.A Think Time : N.A Minimum Instruction Time : 0

Correct Marks : 5 Wrong Marks : 1

Question Key Details :

Key	Value
Comprehension	Comp2

கீழ்க்காணும் பத்திகளைக் கவனமாகப் படித்து பின்வரும் வினாக்களுக்கு விடையளிக்கவும்.

இராமாயணமும் மகாபாரதமும் இந்தியாவின் மிகப்பெரிய இதிகாசங்கள். எனவே வால்மீகியின் இராமாயணத்தை அடுத்துத் தோன்றிய வியாசரின் மகாபாரதமும் இந்தியாவிலுள்ள பிறமொழிகள் பலவற்றிலும் தழுவிய எழுதப்பட்டுள்ளது. தமிழிலும் கி.பி. நான்காம் நூற்றாண்டில் இருந்தே பாரதக் கதைகளைத் தழுவிய எழுதும் போக்குத் தோன்றிவிட்டது என அறிகிறோம். 'பாரதம் பாடிய பெருந்தேவனார்' என்றே ஒரு புலவர் அழைக்கப்படுகிறார். இவர் சங்க இலக்கியங்கள் தொகுக்கப்பட்ட கி.பி. நான்காம் நூற்றாண்டு அளவில், அத்தொகுப்பு நூல்கள் சிலவற்றிற்குக் கடவுள் வாழ்த்து எழுதிச் சேர்த்துள்ளார். இவர்தான் பாரதத்தையும் எழுதியுள்ளார். எனவே, பாரதம் பாடிய தேவனார் என்று சுட்டப்படுகிறார். ஆனால், இவர் எழுதிய அந்தப் பாரதம் தொலைந்து போன தமிழ்நூல்கள் பட்டியலில் சேர்ந்துவிட்டது. இடைக்கால உரையாசிரியர்கள், அவர் எழுதிய பாடல்களை மேற்கோளாக எடுத்துக் காட்டுகின்றனர். அந்தச் சில பாடல்கள் மூலம், இவர் பாரதத்தை அகவற்பாவில் பாடியுள்ளார்; சங்க இலக்கிய நடையிலேயே எழுதியுள்ளார்; உரைநடையும் கலந்து அமைந்துள்ளது ஆகிய செய்திகளை அறிந்துகொள்ள முடிகிறது.

தொடர்ந்து கி.பி. 9 ஆம் நூற்றாண்டில் நந்திவர்மன் என்ற பல்லவ மன்னன் காலத்தில் வடமொழியும் தமிழும் கலந்த மணிப்பிரவாள நடையில் ஒரு பாரதம் தோன்றியுள்ளது. அது 'பாரத வெண்பா' என்று அழைக்கப்படுகிறது. அதுவும் ஒரு சில பாடல்களே கிடைக்கின்றன. மேலும் கி.பி. 13 ஆம் நூற்றாண்டில் அருணிலை விசாகர் என்பார் எழுதிய பாரதமும் நிலைபெறவில்லை. கி.பி.14 ஆம் நூற்றாண்டில் வாழ்ந்த வில்லிபுத்தூரார் மகாபாரதம்தான் 'வில்லிபாரதம்' என்ற பெயரில் தமிழில் சிறப்புடன் விளங்குகிறது.

வில்லிபுத்தூரார் திருமுனைப்பாடி நாட்டில் சனியூர் என்ற பெயருடைய ஊரில் பிறந்தார். வரபதி ஆட்கொண்டான் என்ற மன்னன் புரவலராக இருந்து இவரை ஆதரித்துள்ளான். எனவே பாரதக் கதைகளில் ஆய்வு மேற்கொண்டு, வியாசரின் மகாபாரதத்தை மட்டும் பின்பற்றி எழுதாமல், சமஸ்கிருதத்தில் அகத்தியபட்டர் என்பார் எழுதிய பாலபாரம் என்ற நூலையும், தமிழில் நந்திவர்மன் காலத்தில் தோன்றிய பாரத வெண்பா என்ற தமிழ் நூலையும் பின்பற்றி எழுதியுள்ளார்.

வில்லிபாரதம் - ஆதிபருவம், சபாபருவம், ஆரண்ய பருவம் முதலிய பத்துப் பருவங்களால் ஆனது, 4339 விருத்தப்பாக்களைக் கொண்டுள்ளது. வைணவக் கடவுளான கண்ணன் அவதாரத்தைப் பாடும் வில்லிபுத்தூரார், சமயப் பொதுமை நோக்குடையவராகப் புலப்படுகிறார். தனது பாரதத்தில், சைவக் கடவுளான சிவபெருமான் குறித்து ஏறத்தாழ 270 பாடல்கள் பாடியிருப்பது அன்றைய சமயச் சூழலில் எளிய ஒரு செய்தி அல்ல. இந்நூலின் பாயிரத்தில் உள்ள ஒரு பாடல், தமிழ் மொழியை பொதிகை மலையில் பிறந்து, பாண்டியன் புகழிலே கிடந்து, தமிழ்ச் சங்கத்தின் இருப்பிலே இருந்து, வைகை ஏட்டிலே தவழ்ந்து, நெருப்பிலே நின்று, கற்றோர் நினைவிலே நடந்து வளர்கின்ற பாவை என்று வணங்கிப்பாடுவது புதுமையாக இருக்கிறது.

சனியூரில் பிறந்த வில்லிபுத்தூரார் எந்த நாட்டைச் சேர்ந்தவர்?

1. சேர நாடு
2. பாண்டிய நாடு
3. திருமுனைப்பாடி நாடு
4. சோழ நாடு

Options :

485584138269. 1
485584138270. 2
485584138271. 3
485584138272. 4

Question Number : 64 Question Id : 48558434569 Question Type : MCQ Option Shuffling : No Is Question Mandatory : No Calculator : None Response Time : N.A Think Time : N.A Minimum Instruction Time : 0

Correct Marks : 5 Wrong Marks : 1

Question Key Details :

Key	Value
Comprehension	Comp2

கீழ்க்காணும் பத்திகளைக் கவனமாகப் படித்து பின்வரும் வினாக்களுக்கு விடையளிக்கவும்.

இராமாயணமும் மகாபாரதமும் இந்தியாவின் மிகப்பெரிய இதிகாசங்கள். எனவே வால்மீகியின் இராமாயணத்தை அடுத்துத் தோன்றிய வியாசரின் மகாபாரதமும் இந்தியாவிலுள்ள பிறமொழிகள் பலவற்றிலும் தழுவிய எழுதப்பட்டுள்ளது. தமிழிலும் கி.பி. நான்காம் நூற்றாண்டில் இருந்தே பாரதக் கதைகளைத் தழுவிய எழுதும் போக்குத் தோன்றிவிட்டது என அறிகிறோம். 'பாரதம் பாடிய பெருந்தேவனார்' என்றே ஒரு புலவர் அழைக்கப்படுகிறார். இவர் சங்க இலக்கியங்கள் தொகுக்கப்பட்ட கி.பி. நான்காம் நூற்றாண்டு அளவில், அத்தொகுப்பு நூல்கள் சிலவற்றிற்குக் கடவுள் வாழ்த்து எழுதிச் சேர்த்துள்ளார். இவர்தான் பாரதத்தையும் எழுதியுள்ளார். எனவே, பாரதம் பாடிய தேவனார் என்று சுட்டப்படுகிறார். ஆனால், இவர் எழுதிய அந்தப் பாரதம் தொலைந்து போன தமிழ்நூல்கள் பட்டியலில் சேர்ந்துவிட்டது. இடைக்கால உரையாசிரியர்கள், அவர் எழுதிய பாடல்களை மேற்கோளாக எடுத்துக் காட்டுகின்றனர். அந்தச் சில பாடல்கள் மூலம், இவர் பாரதத்தை அகவற்பாவில் பாடியுள்ளார்; சங்க இலக்கிய நூடையிலேயே எழுதியுள்ளார்; உரைநடையும் கலந்து அமைந்துள்ளது ஆகிய செய்திகளை அறிந்துகொள்ள முடிகிறது.

தொடர்ந்து கி.பி. 9 ஆம் நூற்றாண்டில் நந்திவர்மன் என்ற பல்லவ மன்னன் காலத்தில் வடமொழியும் தமிழும் கலந்த மணிப்பிரவாள நூடையில் ஒரு பாரதம் தோன்றியுள்ளது. அது 'பாரத வெண்பா' என்று அழைக்கப்படுகிறது. அதுவும் ஒரு சில பாடல்களே கிடைக்கின்றன. மேலும் கி.பி. 13 ஆம் நூற்றாண்டில் அருணாசல விசாகர் என்பார் எழுதிய பாரதமும் நிலைபெறவில்லை. கி.பி.14 ஆம் நூற்றாண்டில் வாழ்ந்த வில்லிபுத்தூரார் மகாபாரதம்தான் 'வில்லிபாரதம்' என்ற பெயரில் தமிழில் சிறப்புடன் விளங்குகிறது.

வில்லிபுத்தூரார் திருமுனைப்பாடி நாட்டில் சனியூர் என்ற பெயருடைய ஊரில் பிறந்தார். வரபதி ஆட்கொண்டான் என்ற மன்னன் புரவலராக இருந்து இவரை ஆதரித்துள்ளான். எனவே பாரதக் கதைகளில் ஆய்வு மேற்கொண்டு, வியாசரின் மகாபாரதத்தை மட்டும் பின்பற்றி எழுதாமல், சமஸ்கிருதத்தில் அகத்தியபட்டர் என்பார் எழுதிய பாலபாரம் என்ற நூலையும், தமிழில் நந்திவர்மன் காலத்தில் தோன்றிய பாரத வெண்பா என்ற தமிழ் நூலையும் பின்பற்றி எழுதியுள்ளார்.

வில்லிபாரதம் - ஆதிபருவம், சபாபருவம், ஆரண்ய பருவம் முதலிய பத்துப் பருவங்களால் ஆனது, 4339 விருத்தப்பாக்களைக் கொண்டுள்ளது. வைணவக் கடவுளான கண்ணன் அவதாரத்தைப் பாடும் வில்லிபுத்தூரார், சமயப் பொதுமை நோக்குடையவராகப் புலப்படுகிறார். தனது பாரதத்தில், சைவக் கடவுளான சிவபெருமானை குறித்து ஏறத்தாழ 270 பாடல்கள் பாடியிருப்பது அன்றைய சமயச் சூழலில் எளிய ஒரு செய்தி அல்ல. இந்நூலின் பாயிரத்தில் உள்ள ஒரு பாடல், தமிழ் மொழியை பொதிகை மலையில் பிறந்து, பாண்டியன் புகழிலே கிடந்து, தமிழ்ச் சங்கத்தின் இருப்பிலே இருந்து, வைகை ஏட்டிலே தவழ்ந்து, நெருப்பிலே நின்று, கற்றோர் நினைவிலே நடந்து வளர்கின்ற பாவை என்று வணங்கிப்பாடுவது புதுமையாக இருக்கிறது.

தமிழ் மொழி பிறந்த இடமாக வில்லிபாரதப் பாயிரம் குறிப்பிடுவது:

1. சனியூர்
2. திருமுனைப்பாடி
3. வில்லிபுத்தூர்
4. பொதிகை மலை

Options :

485584138273. 1
485584138274. 2
485584138275. 3
485584138276. 4

Sub-Section Number :

3

Sub-Section Id :

4855842524

Question Shuffling Allowed :

No

Is Section Default? :

null

Question Number : 65 Question Id : 48558434570 Question Type : MCQ Option Shuffling : No Is Question Mandatory :

No Calculator : None Response Time : N.A Think Time : N.A Minimum Instruction Time : 0

Correct Marks : 5 Wrong Marks : 1

Question Key Details :

Key	Value
Comprehension	Comp3

கீழ்காணும் பத்திகளைக் கவனமாகப் படித்து பின்வரும் வினாக்களுக்கு விடையளிக்கவும்.

நாயக்கர் ஆட்சிக் காலத்தில் இஸ்லாமியர், தெலுங்கர், கன்னடர், மராட்டியர் என்று வேற்று மொழியினர் ஆட்சித் தமிழகத்தில் பரவி இருந்தது. அதே கால கட்டத்தில், வணிகத்தின் பொருட்டும் தொடர்ந்து தங்கள் மதமான கிறித்துவத்தைப் பரப்பும் நோக்கோடும் இந்தியாவிற்கு வந்த ஐரோப்பியர்களின் ஊடாட்டமும் தமிழ்நாட்டில் நிகழ்ந்து கொண்டிருந்தது என்பதை நீங்கள் கூர்மையாகக் கவனித்து அறிந்துகொள்ள வேண்டும். கி.பி. 1498 ஆம் ஆண்டிலேயே வாஸ்கோடகாமா கடல் வழியாகக் கேரளாவிலுள்ள கோழிக்கோடு வந்து இறங்கிவிட்டார். கி.பி. 1516இல் போர்த்துகீசியர்கள் கோவாவைக் கைப்பற்றிவிட்டனர். கி.பி. 1602இல் டச்சுக்காரர்கள் (ஹாலண்டு) இங்கு வந்தனர். கி.பி. 1600இல் ஆங்கிலேயர்களின் கிழக்கிந்தியக் கம்பெனி கால் ஊன்றியது. கி.பி.1620இல் டேனிஸ்காரர்கள் (டென்மார்க்) வந்தனர். கி.பி. 1664இல் பிரஞ்சுக்காரர்கள் வந்து போட்டிப் போட்டு, இந்திய அரசியலில் ஈடுபட்டனர். இந்தக் காலகட்டத்தில் ஏற்கனவே பிற மொழியாளர்களின் பிடியில் சிக்கியிருந்த தமிழும் தமிழ் இனமும் என்ன பாடுபட்டிருக்கும் என்பதைச் சிறிது மனக்கண்ணால் எண்ணிப் பார்த்துக்கொள்ள வேண்டும்.

தஞ்சாவூரை ஆண்ட இரண்டாம் சரபோஜி காலத்தில், கி.பி. 1856 ஆம் ஆண்டில், அவருடைய ஒப்புதலுடன் ஆங்கிலேயக் கிழக்கிந்திய கம்பெனியின் முழு அதிகாரம் உள்ள அரசு, தஞ்சாவூரில் தோன்றியது. தொடர்ந்து தமிழகம் முழுவதும் ஆங்கிலேயர் ஆட்சியின் கீழும், புதுச்சேரியும் காரைக்காலும் பிரஞ்சியர் ஆட்சியின் கீழும் வந்தன. 1857இல் நடந்த சிப்பாய்ப் போருக்குப் பின்பு ஆங்கிலேயரின் கிழக்கு இந்தியக் கம்பெனி தேசிய மயமாக்கப்பட்டது. அதனால் இந்தியா முழுவதும் இங்கிலாந்து மகாராணியின் நேரடி ஆட்சியின் கீழ் கொண்டுவரப்பட்டது. இதன் விளைவாக வரலாற்றில் முதன் முதலாகத் தமிழ்நாடு, தமிழ் பேசும் மக்களுக்கான தனிநாடு என்ற நிலை மறைந்து 'இந்தியா' என்கின்ற பெரிய நாட்டிலுள்ள ஒரு பகுதியாக மாறியது.

15 ஆம் நூற்றாண்டின் இறுதியில் இந்தியாவிற்கு வந்த ஐரோப்பிய பயணி வந்தடைந்த ஊர் எது?

1. கோவா
2. தரங்கம்பாடி
3. கோழிக்கோடு
4. புதுச்சேரி

Options :

485584138277. 1
485584138278. 2
485584138279. 3
485584138280. 4

Question Number : 66 Question Id : 48558434571 Question Type : MCQ Option Shuffling : No Is Question Mandatory : No Calculator : None Response Time : N.A Think Time : N.A Minimum Instruction Time : 0

Correct Marks : 5 Wrong Marks : 1

Question Key Details :

Key	Value
Comprehension	Comp3

கீழ்காணும் பத்திகளைக் கவனமாகப் படித்து பின்வரும் வினாக்களுக்கு விடையளிக்கவும்.

நாயக்கர் ஆட்சிக் காலத்தில் இஸ்லாமியர், தெலுங்கர், கன்னடர், மராட்டியர் என்று வேற்று மொழியினர் ஆட்சித் தமிழகத்தில் பரவி இருந்தது. அதே கால கட்டத்தில், வணிகத்தின் பொருட்டும் தொடர்ந்து தங்கள் மதமான கிறித்துவத்தைப் பரப்பும் நோக்கோடும் இந்தியாவிற்கு வந்த ஐரோப்பியர்களின் ஊடாட்டமும் தமிழ்நாட்டில் நிகழ்ந்து கொண்டிருந்தது என்பதை நீங்கள் கூர்மையாகக் கவனித்து அறிந்துகொள்ள வேண்டும். கி.பி. 1498 ஆம் ஆண்டிலேயே வாஸ்கோடகாமா கடல் வழியாகக் கேரளாவிலுள்ள கோழிக்கோடு வந்து இறங்கிவிட்டார். கி.பி. 1516இல் போர்த்துகீசியர்கள் கோவாவைக் கைப்பற்றிவிட்டனர். கி.பி. 1602இல் டச்சுக்காரர்கள் (ஹாலண்டு) இங்கு வந்தனர். கி.பி. 1600இல் ஆங்கிலேயர்களின் கிழக்கிந்தியக் கம்பெனி கால் ஊன்றியது. கி.பி.1620இல் டேனிஸ்காரர்கள் (டென்மார்க்) வந்தனர். கி.பி. 1664இல் பிரஞ்சுக்காரர்கள் வந்து போட்டிப் போட்டு, இந்திய அரசியலில் ஈடுபட்டனர். இந்தக் காலகட்டத்தில் ஏற்கனவே பிற மொழியாளர்களின் பிடியில் சிக்கியிருந்த தமிழும் தமிழ் இனமும் என்ன பாடுபட்டிருக்கும் என்பதைச் சிறிது மனக்கண்ணால் எண்ணிப் பார்த்துக்கொள்ள வேண்டும்.

தஞ்சாவூரை ஆண்ட இரண்டாம் சரபோஜி காலத்தில், கி.பி. 1856 ஆம் ஆண்டில், அவருடைய ஒப்புதலுடன் ஆங்கிலேயக் கிழக்கிந்திய கம்பெனியின் முழு அதிகாரம் உள்ள அரசு, தஞ்சாவூரில் தோன்றியது. தொடர்ந்து தமிழகம் முழுவதும் ஆங்கிலேயர் ஆட்சியின் கீழும், புதுச்சேரியும் காரைக்காலும் பிரஞ்சியர் ஆட்சியின் கீழும் வந்தன. 1857இல் நடந்த சிப்பாய்ப் போருக்குப் பின்பு ஆங்கிலேயரின் கிழக்கு இந்தியக் கம்பெனி தேசிய மயமாக்கப்பட்டது. அதனால் இந்தியா முழுவதும் இங்கிலாந்து மகாராணியின் நேரடி ஆட்சியின் கீழ் கொண்டுவரப்பட்டது. இதன் விளைவாக வரலாற்றில் முதன் முதலாகத் தமிழ்நாடு, தமிழ் பேசும் மக்களுக்கான தனிநாடு என்ற நிலை மறைந்து 'இந்தியா' என்கின்ற பெரிய நாட்டிலுள்ள ஒரு பகுதியாக மாறியது.

இந்திய அரசியலில் போட்டி போட்டு பிரெஞ்சுக்காரர்கள் ஈடுபட்ட நூற்றாண்டு

1. கி.பி. 15-ஆம் நூற்றாண்டு
2. கி.பி. 16-ஆம் நூற்றாண்டு
3. கி.பி. 17-ஆம் நூற்றாண்டு
4. கி.பி. 18-ஆம் நூற்றாண்டு

Options :

485584138281. 1
485584138282. 2
485584138283. 3
485584138284. 4

Question Number : 67 Question Id : 48558434572 Question Type : MCQ Option Shuffling : No Is Question Mandatory : No Calculator : None Response Time : N.A Think Time : N.A Minimum Instruction Time : 0

Correct Marks : 5 Wrong Marks : 1

Question Key Details :

Key	Value
Comprehension	Comp3

கீழ்க்காணும் பத்திகளைக் கவனமாகப் படித்து பின்வரும் வினாக்களுக்கு விடையளிக்கவும்.

நாயக்கர் ஆட்சிக் காலத்தில் இஸ்லாமியர், தெலுங்கர், கன்னடர், மராட்டியர் என்று வேற்று மொழியினர் ஆட்சித் தமிழகத்தில் பரவி இருந்தது. அதே கால கட்டத்தில், வணிகத்தின் பொருட்டும் தொடர்ந்து தங்கள் மதமான கிறித்துவத்தைப் பரப்பும் நோக்கோடும் இந்தியாவிற்கு வந்த ஐரோப்பியர்களின் ஊடாட்டமும் தமிழ்நாட்டில் நிகழ்ந்து கொண்டிருந்தது என்பதை நீங்கள் கூர்மையாகக் கவனித்து அறிந்துகொள்ள வேண்டும். கி.பி. 1498 ஆம் ஆண்டிலேயே வாஸ்கோடகாமா கடல் வழியாகக் கேரளாவிலுள்ள கோழிக்கோடு வந்து இறங்கிவிட்டார். கி.பி. 1516இல் போர்த்துகீசியர்கள் கோவாவைக் கைப்பற்றிவிட்டனர். கி.பி. 1602இல் டச்சுக்காரர்கள் (ஹாலண்டு) இங்கு வந்தனர். கி.பி. 1600இல் ஆங்கிலேயர்களின் கிழக்கிந்தியக் கம்பெனி கால் ஊன்றியது. கி.பி.1620இல் டேனிஸ்காரர்கள் (டென்மார்க்) வந்தனர். கி.பி. 1664இல் பிரஞ்சுக்காரர்கள் வந்து போட்டிப் போட்டு, இந்திய அரசியலில் ஈடுபட்டனர். இந்தக் காலகட்டத்தில் ஏற்கனவே பிற மொழியாளர்களின் பிடியில் சிக்கியிருந்த தமிழும் தமிழ் இனமும் என்ன பாடுபட்டிருக்கும் என்பதைச் சிறிது மனக்கண்ணால் எண்ணிப் பார்த்துக்கொள்ள வேண்டும்.

தஞ்சாவூரை ஆண்ட இரண்டாம் சரபோஜி காலத்தில், கி.பி. 1856 ஆம் ஆண்டில், அவருடைய ஒப்புதலுடன் ஆங்கிலேயக் கிழக்கிந்திய கம்பெனியின் முழு அதிகாரம் உள்ள அரசு, தஞ்சாவூரில் தோன்றியது. தொடர்ந்து தமிழகம் முழுவதும் ஆங்கிலேயர் ஆட்சியின் கீழும், புதுச்சேரியும் காரைக்காலும் பிரஞ்சியர் ஆட்சியின் கீழும் வந்தன. 1857இல் நடந்த சிப்பாய்ப் போருக்குப் பின்பு ஆங்கிலேயரின் கிழக்கு இந்தியக் கம்பெனி தேசிய மயமாக்கப்பட்டது. அதனால் இந்தியா முழுவதும் இங்கிலாந்து மகாராணியின் நேரடி ஆட்சியின் கீழ் கொண்டுவரப்பட்டது. இதன் விளைவாக வரலாற்றில் முதன் முதலாகத் தமிழ்நாடு, தமிழ் பேசும் மக்களுக்கான தனிநாடு என்ற நிலை மறைந்து 'இந்தியா' என்கின்ற பெரிய நாட்டிலுள்ள ஒரு பகுதியாக மாறியது.

தஞ்சாவூரில் ஆங்கிலேயர் காலூன்ற வழிவிட்டவர்

1. இங்கிலாந்து மகாராணி
2. இரண்டாம் சரபோஜி
3. வாஸ்கோடகாமா
4. டேனிஸ்காரர்கள்

Options :

485584138285. 1
485584138286. 2
485584138287. 3
485584138288. 4

Question Number : 68 Question Id : 48558434573 Question Type : MCQ Option Shuffling : No Is Question Mandatory : No Calculator : None Response Time : N.A Think Time : N.A Minimum Instruction Time : 0

Correct Marks : 5 Wrong Marks : 1

Question Key Details :

Key	Value
Comprehension	Comp3

கீழ்காணும் பத்திகளைக் கவனமாகப் படித்து பின்வரும் வினாக்களுக்கு விடையளிக்கவும்.

நாயக்கர் ஆட்சிக் காலத்தில் இஸ்லாமியர், தெலுங்கர், கன்னடர், மராட்டியர் என்று வேற்று மொழியினர் ஆட்சித் தமிழகத்தில் பரவி இருந்தது. அதே கால கட்டத்தில், வணிகத்தின் பொருட்டும் தொடர்ந்து தங்கள் மதமான கிறித்துவத்தைப் பரப்பும் நோக்கோடும் இந்தியாவிற்கு வந்த ஐரோப்பியர்களின் ஊடாட்டமும் தமிழ்நாட்டில் நிகழ்ந்து கொண்டிருந்தது என்பதை நீங்கள் கூர்மையாகக் கவனித்து அறிந்துகொள்ள வேண்டும். கி.பி. 1498 ஆம் ஆண்டிலேயே வாஸ்கோடகாமா கடல் வழியாகக் கேரளாவிலுள்ள கோழிக்கோடு வந்து இறங்கிவிட்டார். கி.பி. 1516இல் போர்த்துகீசியர்கள் கோவாவைக் கைப்பற்றிவிட்டனர். கி.பி. 1602இல் டச்சுக்காரர்கள் (ஹாலண்டு) இங்கு வந்தனர். கி.பி. 1600இல் ஆங்கிலேயர்களின் கிழக்கிந்தியக் கம்பெனி கால் ஊன்றியது. கி.பி.1620இல் டேனிஸ்காரர்கள் (டென்மார்க்) வந்தனர். கி.பி. 1664இல் பிரஞ்சுக்காரர்கள் வந்து போட்டிப் போட்டு, இந்திய அரசியலில் ஈடுபட்டனர். இந்தக் காலகட்டத்தில் ஏற்கனவே பிற மொழியாளர்களின் பிடியில் சிக்கியிருந்த தமிழும் தமிழ் இனமும் என்ன பாடுபட்டிருக்கும் என்பதைச் சிறிது மனக்கண்ணால் எண்ணிப் பார்த்துக்கொள்ள வேண்டும்.

தஞ்சாவூரை ஆண்ட இரண்டாம் சரபோஜி காலத்தில், கி.பி. 1856 ஆம் ஆண்டில், அவருடைய ஒப்புதலுடன் ஆங்கிலேயக் கிழக்கிந்திய கம்பெனியின் முழு அதிகாரம் உள்ள அரசு, தஞ்சாவூரில் தோன்றியது. தொடர்ந்து தமிழகம் முழுவதும் ஆங்கிலேயர் ஆட்சியின் கீழும், புதுச்சேரியும் காரைக்காலும் பிரஞ்சியர் ஆட்சியின் கீழும் வந்தன. 1857இல் நடந்த சிப்பாய்ப் போருக்குப் பின்பு ஆங்கிலேயரின் கிழக்கு இந்தியக் கம்பெனி தேசிய மயமாக்கப்பட்டது. அதனால் இந்தியா முழுவதும் இங்கிலாந்து மகாராணியின் நேரடி ஆட்சியின் கீழ் கொண்டுவரப்பட்டது. இதன் விளைவாக வரலாற்றில் முதன் முதலாகத் தமிழ்நாடு, தமிழ் பேசும் மக்களுக்கான தனிநாடு என்ற நிலை மறைந்து 'இந்தியா' என்கின்ற பெரிய நாட்டிலுள்ள ஒரு பகுதியாக மாறியது.

பிரெஞ்சுக்காரர்கள் ஆட்சியின் கீழ் இருந்த தமிழகப் பகுதிகளுள் ஒன்று

1. காரைக்கால்
2. தஞ்சாவூர்
3. செஞ்சி
4. மதுரை

Options :

485584138289. 1
485584138290. 2
485584138291. 3
485584138292. 4

Question Number : 69 Question Id : 48558434574 Question Type : MCQ Option Shuffling : No Is Question Mandatory : No Calculator : None Response Time : N.A Think Time : N.A Minimum Instruction Time : 0

Correct Marks : 5 Wrong Marks : 1

Question Key Details :

Key	Value
Comprehension	Comp3

கீழ்காணும் பத்திகளைக் கவனமாகப் படித்து பின்வரும் வினாக்களுக்கு விடையளிக்கவும்.

நாயக்கர் ஆட்சிக் காலத்தில் இஸ்லாமியர், தெலுங்கர், கன்னடர், மராட்டியர் என்று வேற்று மொழியினர் ஆட்சித் தமிழகத்தில் பரவி இருந்தது. அதே கால கட்டத்தில், வணிகத்தின் பொருட்டும் தொடர்ந்து தங்கள் மதமான கிறித்துவத்தைப் பரப்பும் நோக்கோடும் இந்தியாவிற்கு வந்த ஐரோப்பியர்களின் ஊடாட்டமும் தமிழ்நாட்டில் நிகழ்ந்து கொண்டிருந்தது என்பதை நீங்கள் கூர்மையாகக் கவனித்து அறிந்துகொள்ள வேண்டும். கி.பி. 1498 ஆம் ஆண்டிலேயே வாஸ்கோடகாமா கடல் வழியாகக் கேரளாவிலுள்ள கோழிக்கோடு வந்து இறங்கிவிட்டார். கி.பி. 1516இல் போர்த்துகீசியர்கள் கோவாவைக் கைப்பற்றிவிட்டனர். கி.பி. 1602இல் டச்சுக்காரர்கள் (ஹாலண்டு) இங்கு வந்தனர். கி.பி. 1600இல் ஆங்கிலேயர்களின் கிழக்கிந்தியக் கம்பெனி கால் ஊன்றியது. கி.பி.1620இல் டேனிஸ்காரர்கள் (டென்மார்க்) வந்தனர். கி.பி. 1664இல் பிரஞ்சுக்காரர்கள் வந்து போட்டிப் போட்டு, இந்திய அரசியலில் ஈடுபட்டனர். இந்தக் காலகட்டத்தில் ஏற்கனவே பிற மொழியாளர்களின் பிடியில் சிக்கியிருந்த தமிழும் தமிழ் இனமும் என்ன பாடுபட்டிருக்கும் என்பதைச் சிறிது மனக்கண்ணால் எண்ணிப் பார்த்துக்கொள்ள வேண்டும்.

தஞ்சாவூரை ஆண்ட இரண்டாம் சரபோஜி காலத்தில், கி.பி. 1856 ஆம் ஆண்டில், அவருடைய ஒப்புதலுடன் ஆங்கிலேயக் கிழக்கிந்திய கம்பெனியின் முழு அதிகாரம் உள்ள அரசு, தஞ்சாவூரில் தோன்றியது. தொடர்ந்து தமிழகம் முழுவதும் ஆங்கிலேயர் ஆட்சியின் கீழும், புதுச்சேரியும் காரைக்காலும் பிரஞ்சியர் ஆட்சியின் கீழும் வந்தன. 1857இல் நடந்த சிப்பாய்ப் போருக்குப் பின்பு ஆங்கிலேயரின் கிழக்கு இந்தியக் கம்பெனி தேசிய மயமாக்கப்பட்டது. அதனால் இந்தியா முழுவதும் இங்கிலாந்து மகாராணியின் நேரடி ஆட்சியின் கீழ் கொண்டுவரப்பட்டது. இதன் விளைவாக வரலாற்றில் முதன் முதலாகத் தமிழ்நாடு, தமிழ் பேசும் மக்களுக்கான தனிநாடு என்ற நிலை மறைந்து 'இந்தியா' என்கின்ற பெரிய நாட்டிலுள்ள ஒரு பகுதியாக மாறியது.

ஐரோப்பியர்கள் இந்தியாவிற்கு வந்ததற்கான முதன்மையான நோக்கம் என்ன?

1. மொழிகளைக் கற்றுக்கொள்வது
2. அரசியலில் ஈடுபடுவது
3. பண்பாட்டை அறிந்துகொள்வது
4. வணிகத்தில் ஈடுபடுவது

Options :

485584138293. 1
485584138294. 2
485584138295. 3
485584138296. 4

Question Number : 70 Question Id : 48558434575 Question Type : MCQ Option Shuffling : No Is Question Mandatory : No Calculator : None Response Time : N.A Think Time : N.A Minimum Instruction Time : 0

Correct Marks : 5 Wrong Marks : 1

Question Key Details :

Key	Value
Comprehension	Comp3

கீழ்க்காணும் பத்திகளைக் கவனமாகப் படித்து பின்வரும் வினாக்களுக்கு விடையளிக்கவும்.

நாயக்கர் ஆட்சிக் காலத்தில் இஸ்லாமியர், தெலுங்கர், கன்னடர், மராட்டியர் என்று வேற்று மொழியினர் ஆட்சித் தமிழகத்தில் பரவி இருந்தது. அதே கால கட்டத்தில், வணிகத்தின் பொருட்டும் தொடர்ந்து தங்கள் மதமான கிறித்துவத்தைப் பரப்பும் நோக்கோடும் இந்தியாவிற்கு வந்த ஐரோப்பியர்களின் ஊடாட்டமும் தமிழ்நாட்டில் நிகழ்ந்து கொண்டிருந்தது என்பதை நீங்கள் கூர்மையாகக் கவனித்து அறிந்துகொள்ள வேண்டும். கி.பி. 1498 ஆம் ஆண்டிலேயே வாஸ்கோடகாமா கடல் வழியாகக் கேரளாவிலுள்ள கோழிக்கோடு வந்து இறங்கிவிட்டார். கி.பி. 1516இல் போர்த்துகீசியர்கள் கோவாவைக் கைப்பற்றிவிட்டனர். கி.பி. 1602இல் டச்சுக்காரர்கள் (ஹாலண்டு) இங்கு வந்தனர். கி.பி. 1600இல் ஆங்கிலேயர்களின் கிழக்கிந்தியக் கம்பெனி கால் ஊன்றியது. கி.பி.1620இல் டேனிஸ்காரர்கள் (டென்மார்க்) வந்தனர். கி.பி. 1664இல் பிரஞ்சுக்காரர்கள் வந்து போட்டிப் போட்டு, இந்திய அரசியலில் ஈடுபட்டனர். இந்தக் காலகட்டத்தில் ஏற்கனவே பிற மொழியாளர்களின் பிடியில் சிக்கியிருந்த தமிழும் தமிழ் இனமும் என்ன பாடுபட்டிருக்கும் என்பதைச் சிறிது மனக்கண்ணால் எண்ணிப் பார்த்துக்கொள்ள வேண்டும்.

தஞ்சாவூரை ஆண்ட இரண்டாம் சரபோஜி காலத்தில், கி.பி. 1856 ஆம் ஆண்டில், அவருடைய ஒப்புதலுடன் ஆங்கிலேயக் கிழக்கிந்திய கம்பெனியின் முழு அதிகாரம் உள்ள அரசு, தஞ்சாவூரில் தோன்றியது. தொடர்ந்து தமிழகம் முழுவதும் ஆங்கிலேயர் ஆட்சியின் கீழும், புதுச்சேரியும் காரைக்காலும் பிரஞ்சியர் ஆட்சியின் கீழும் வந்தன. 1857இல் நடந்த சிப்பாய்ப் போருக்குப் பின்பு ஆங்கிலேயரின் கிழக்கு இந்தியக் கம்பெனி தேசிய மயமாக்கப்பட்டது. அதனால் இந்தியா முழுவதும் இங்கிலாந்து மகாராணியின் நேரடி ஆட்சியின் கீழ் கொண்டுவரப்பட்டது. இதன் விளைவாக வரலாற்றில் முதன் முதலாகத் தமிழ்நாடு, தமிழ் பேசும் மக்களுக்கான தனிநாடு என்ற நிலை மறைந்து 'இந்தியா' என்கின்ற பெரிய நாட்டிலுள்ள ஒரு பகுதியாக மாறியது.

எந்த வரலாற்று நிகழ்வுக்குப் பின்னர் இந்தியா இங்கிலாந்து மகாராணியின் நேரடி ஆட்சியின் கீழ் வந்தது?

1. ஜாலியன் வாலாபாக் படுகொலை
2. சிப்பாய்ப் போர்
3. முதல் உலகப்போர்
4. காஞ்சாகிப் போர்

Options :

485584138297. 1
485584138298. 2
485584138299. 3
485584138300. 4

Question Number : 71 Question Id : 48558434576 Question Type : MCQ Option Shuffling : No Is Question Mandatory : No Calculator : None Response Time : N.A Think Time : N.A Minimum Instruction Time : 0

Correct Marks : 5 Wrong Marks : 1

Question Key Details :

Key	Value
Comprehension	Comp3

கீழ்காணும் பத்திகளைக் கவனமாகப் படித்து பின்வரும் வினாக்களுக்கு விடையளிக்கவும்.

நாயக்கர் ஆட்சிக் காலத்தில் இஸ்லாமியர், தெலுங்கர், கன்னடர், மராட்டியர் என்று வேற்று மொழியினர் ஆட்சித் தமிழகத்தில் பரவி இருந்தது. அதே கால கட்டத்தில், வணிகத்தின் பொருட்டும் தொடர்ந்து தங்கள் மதமான கிறித்துவத்தைப் பரப்பும் நோக்கோடும் இந்தியாவிற்கு வந்த ஐரோப்பியர்களின் ஊடாட்டமும் தமிழ்நாட்டில் நிகழ்ந்து கொண்டிருந்தது என்பதை நீங்கள் கூர்மையாகக் கவனித்து அறிந்துகொள்ள வேண்டும். கி.பி. 1498 ஆம் ஆண்டிலேயே வாஸ்கோடகாமா கடல் வழியாகக் கேரளாவிலுள்ள கோழிக்கோடு வந்து இறங்கிவிட்டார். கி.பி. 1516இல் போர்த்துகீசியர்கள் கோவாவைக் கைப்பற்றிவிட்டனர். கி.பி. 1602இல் டச்சுக்காரர்கள் (ஹாலண்டு) இங்கு வந்தனர். கி.பி. 1600இல் ஆங்கிலேயர்களின் கிழக்கிந்தியக் கம்பெனி கால் ஊன்றியது. கி.பி.1620இல் டேனிஸ்காரர்கள் (டென்மார்க்) வந்தனர். கி.பி. 1664இல் பிரஞ்சுக்காரர்கள் வந்து போட்டிப் போட்டு, இந்திய அரசியலில் ஈடுபட்டனர். இந்தக் காலகட்டத்தில் ஏற்கனவே பிற மொழியாளர்களின் பிடியில் சிக்கியிருந்த தமிழும் தமிழ் இனமும் என்ன பாடுபட்டிருக்கும் என்பதைச் சிறிது மனக்கண்ணால் எண்ணிப் பார்த்துக்கொள்ள வேண்டும்.

தஞ்சாவூரை ஆண்ட இரண்டாம் சரபோஜி காலத்தில், கி.பி. 1856 ஆம் ஆண்டில், அவருடைய ஒப்புதலுடன் ஆங்கிலேயக் கிழக்கிந்திய கம்பெனியின் முழு அதிகாரம் உள்ள அரசு, தஞ்சாவூரில் தோன்றியது. தொடர்ந்து தமிழகம் முழுவதும் ஆங்கிலேயர் ஆட்சியின் கீழும், புதுச்சேரியும் காரைக்காலும் பிரஞ்சியர் ஆட்சியின் கீழும் வந்தன. 1857இல் நடந்த சிப்பாய்ப் போருக்குப் பின்பு ஆங்கிலேயரின் கிழக்கு இந்தியக் கம்பெனி தேசிய மயமாக்கப்பட்டது. அதனால் இந்தியா முழுவதும் இங்கிலாந்து மகாராணியின் நேரடி ஆட்சியின் கீழ் கொண்டுவரப்பட்டது. இதன் விளைவாக வரலாற்றில் முதன் முதலாகத் தமிழ்நாடு, தமிழ் பேசும் மக்களுக்கான தனிநாடு என்ற நிலை மறைந்து 'இந்தியா' என்கின்ற பெரிய நாட்டிலுள்ள ஒரு பகுதியாக மாறியது.

கிழக்கிந்திய கம்பெனி இந்தியாவில் காலூன்றிய ஆண்டு

1. கி.பி. 1664
2. கி.பி. 1620
3. கி.பி. 1602
4. கி.பி. 1600

Options :

485584138301. 1
485584138302. 2
485584138303. 3
485584138304. 4

Sub-Section Number :

4

Sub-Section Id :

4855842525

Question Shuffling Allowed :

Yes

Is Section Default? :

null

Question Number : 72 Question Id : 48558434577 Question Type : MCQ Option Shuffling : No Is Question Mandatory : No Calculator : None Response Time : N.A Think Time : N.A Minimum Instruction Time : 0

Correct Marks : 5 Wrong Marks : 1

Question Key Details :

Key	Value
Comprehension	MCQ

பெருங்காப்பியங்கள் கூறும் நான்கு பொருள்களை வரிசைப்படுத்துக.

- A. இன்பம்
- B. பொருள்
- C. வீடுபேறு
- D. அறம்

கீழே கொடுக்கப்பட்டுள்ள வாய்ப்புகளில் இருந்து சரியான விடையைத் தேர்ந்தெடுக்கவும்:

- 1. B, C, A, D
- 2. C, A, B, D
- 3. D, B, A, C
- 4. A, D, C, B

Options :

- 485584138305. 1
- 485584138306. 2
- 485584138307. 3
- 485584138308. 4

Question Number : 73 Question Id : 48558434578 Question Type : MCQ Option Shuffling : No Is Question Mandatory : No Calculator : None Response Time : N.A Think Time : N.A Minimum Instruction Time : 0

Correct Marks : 5 Wrong Marks : 1

Question Key Details :

Key	Value
Comprehension	MCQ

சமயக் குரவர் நால்வரை வரிசைப்படுத்துக.

- A. சுந்தரர்
- B. திருஞானசம்பந்தர்
- C. மாணிக்கவாசகர்
- D. திருநாவுக்கரசர்

கீழே கொடுக்கப்பட்டுள்ள வாய்ப்புகளில் இருந்து சரியான விடையைத் தேர்ந்தெடுக்கவும்:

- 1. B, D, A, C
- 2. D, A, C, B
- 3. B, C, D, A
- 4. C, A, B, D

Options :

- 485584138309. 1
- 485584138310. 2
- 485584138311. 3

485584138312.4

Question Number : 74 Question Id : 48558434579 Question Type : MCQ Option Shuffling : No Is Question Mandatory : No Calculator : None Response Time : N.A Think Time : N.A Minimum Instruction Time : 0

Correct Marks : 5 Wrong Marks : 1

Question Key Details :

Key	Value
Comprehension	MCQ

கீழ்க்காணும் ஆளுமைகளைக் காலவரிசையில் நிரல்படுத்துக.

- A. இளங்கோவடிகள்
- B. பாரதியார்
- C. தனிநாயக அடிகள்
- D. இராமலிங்க அடிகள்

கீழே கொடுக்கப்பட்டுள்ள வாய்ப்புகளில் இருந்து சரியான விடையைத் தேர்ந்தெடுக்கவும்:

- 1. D, B, A, C
- 2. C, D, A, B
- 3. B, A, C, D
- 4. A, D, B, C

Options :

485584138313. 1

485584138314. 2

485584138315. 3

485584138316. 4

Question Number : 75 Question Id : 48558434580 Question Type : MCQ Option Shuffling : No Is Question Mandatory : No Calculator : None Response Time : N.A Think Time : N.A Minimum Instruction Time : 0

Correct Marks : 5 Wrong Marks : 1

Question Key Details :

Key	Value
Comprehension	MCQ

பின்வரும் இலக்கண நூல்களைக் காலவரிசைப்படுத்துக.

- A. தொன்னூல் விளக்கம்
- B. நன்னூல்
- C. தொல்காப்பியம்
- D. வீரசோழியம்

கீழே கொடுக்கப்பட்டுள்ள வாய்ப்புகளில் இருந்து சரியான விடையைத் தேர்ந்தெடுக்கவும்:

- 1. B, D, C, A
- 2. C, D, B, A
- 3. A, D, C, B
- 4. D, C, B, A

Options :

- 485584138317. 1
- 485584138318. 2
- 485584138319. 3
- 485584138320. 4

Question Number : 76 Question Id : 48558434581 Question Type : MCQ Option Shuffling : No Is Question Mandatory : No Calculator : None Response Time : N.A Think Time : N.A Minimum Instruction Time : 0 Correct Marks : 5 Wrong Marks : 1

Question Key Details :

Key	Value
Comprehension	MCQ

கீழ்க்காணும் எழுத்து முறைகளைக் காலவரிசையில் நிரல்படுத்துக.

- A. அச்சு
- B. காகிதம்
- C. கணினி
- D. ஓலைச்சுவடி

கீழே கொடுக்கப்பட்டுள்ள வாய்ப்புகளில் இருந்து சரியான விடையைத் தேர்ந்தெடுக்கவும்:

- 1. D, C, B, A
- 2. A, C, B, D
- 3. D, B, A, C
- 4. B, A, D, C

Options :

- 485584138321. 1
- 485584138322. 2
- 485584138323. 3

485584138324. 4

Question Number : 77 Question Id : 48558434582 Question Type : MCQ Option Shuffling : No Is Question Mandatory : No Calculator : None Response Time : N.A Think Time : N.A Minimum Instruction Time : 0

Correct Marks : 5 Wrong Marks : 1

Question Key Details :

Key	Value
Comprehension	MCQ

கீழ்க்காணும் தொல்காப்பிய நூற்பாவைச் சரியான வரிசையில் அமைக்க.

- A. இயல்பே
- B. ஒன்றுவது
- C. உயிர்வந்து
- D. உடல்மேல்

கீழே கொடுக்கப்பட்டுள்ள வாய்ப்புகளில் இருந்து சரியான விடையைத் தேர்ந்தெடுக்கவும்:

- 1. D, C, B, A
- 2. C, D, A, B
- 3. D, B, C, A
- 4. B, A, D, C

Options :

- 485584138325. 1
- 485584138326. 2
- 485584138327. 3
- 485584138328. 4

Question Number : 78 Question Id : 48558434583 Question Type : MCQ Option Shuffling : No Is Question Mandatory : No Calculator : None Response Time : N.A Think Time : N.A Minimum Instruction Time : 0

Correct Marks : 5 Wrong Marks : 1

Question Key Details :

Key	Value
Comprehension	MCQ

கீழ்க்காணும் கம்பராமாயணக் காண்டங்களை நிரல்படுத்துக.

- A. ஆரண்ய காண்டம்
- B. பாலகாண்டம்
- C. கிட்கிந்தா காண்டம்
- D. அயோத்யா காண்டம்

கீழே கொடுக்கப்பட்டுள்ள வாய்ப்புகளில் இருந்து சரியான விடையைத் தேர்ந்தெடுக்கவும்:

- 1. A, C, D, B
- 2. D, A, B, C
- 3. B, D, A, C
- 4. B, C, A, D

Options :

- 485584138329. 1
- 485584138330. 2
- 485584138331. 3
- 485584138332. 4

Question Number : 79 Question Id : 48558434584 Question Type : MCQ Option Shuffling : No Is Question Mandatory : No Calculator : None Response Time : N.A Think Time : N.A Minimum Instruction Time : 0

Correct Marks : 5 Wrong Marks : 1

Question Key Details :

Key	Value
Comprehension	MCQ

பின்வருவனவற்றைப் பருவ அடிப்படையில் வரிசைப்படுத்துக.

- A. மங்கை
- B. பேதை
- C. மடந்தை
- D. பெதும்பை

கீழே கொடுக்கப்பட்டுள்ள வாய்ப்புகளில் இருந்து சரியான விடையைத் தேர்ந்தெடுக்கவும்:

- 1. A, D, C, B
- 2. B, D, C, A
- 3. C, A, B, D
- 4. B, D, A, C

Options :

- 485584138333. 1
- 485584138334. 2
- 485584138335. 3

Question Number : 80 Question Id : 48558434585 Question Type : MCQ Option Shuffling : No Is Question Mandatory : No Calculator : None Response Time : N.A Think Time : N.A Minimum Instruction Time : 0

Correct Marks : 5 Wrong Marks : 1

Question Key Details :

Key	Value
Comprehension	MCQ

பட்டியல் I ஐ பட்டியல் II உடன் பொருத்துக

பட்டியல் I		பட்டியல் II	
A.	வாடிவாசல்	I.	சாத்தனார்
B.	திருக்குறள்	II.	தி. ஜானகிராமன்
C.	மோகமுள்	III.	சி.சு. செல்லப்பா
D.	மணிமேகலை	IV.	திருவள்ளுவர்

கீழே கொடுக்கப்பட்டுள்ள வாய்ப்புகளில் இருந்து சரியான விடையைத் தேர்ந்தெடுக்கவும்:

1. A-IV, B-III, C-I, D-II
2. A-III, B-II, C-IV, D-I
3. A-III, B-IV, C-II, D-I
4. A-II, B-III, C-I, D-IV

Options :

485584138337. 1
485584138338. 2
485584138339. 3
485584138340. 4

Question Number : 81 Question Id : 48558434586 Question Type : MCQ Option Shuffling : No Is Question Mandatory : No Calculator : None Response Time : N.A Think Time : N.A Minimum Instruction Time : 0

Correct Marks : 5 Wrong Marks : 1

Question Key Details :

Key	Value
Comprehension	MCQ

பட்டியல் I ஐ பட்டியல் II உடன் பொருத்துக

பட்டியல் I		பட்டியல் II	
A.	சங்கநூல்	I.	திருவாசகம்
B.	இலக்கணநூல்	II.	திருக்குறள்
C.	பக்திநூல்	III.	தொல்காப்பியம்
D.	அறநூல்	IV.	புறநானூறு

கீழே கொடுக்கப்பட்டுள்ள வாய்ப்புகளில் இருந்து சரியான விடையைத் தேர்ந்தெடுக்கவும்:

1. A-IV, B-III, C-I, D-II
2. A-II, B-IV, C-II, D-I
3. A-III, B-I, C-II, D-IV
4. A-II, B-III, C-IV, D-I

Options :

485584138341. 1
485584138342. 2
485584138343. 3
485584138344. 4

Question Number : 82 Question Id : 48558434587 Question Type : MCQ Option Shuffling : No Is Question Mandatory : No Calculator : None Response Time : N.A Think Time : N.A Minimum Instruction Time : 0

Correct Marks : 5 Wrong Marks : 1

Question Key Details :

Key	Value
Comprehension	MCQ

பட்டியல் I ஐ பட்டியல் II உடன் பொருத்துக

பட்டியல் I		பட்டியல் II	
A.	பாரதிதாசன்	I.	காந்தியக் கவிஞர்
B.	நாமக்கல் கவிஞர்	II.	உவமைக் கவிஞர்
C.	பாரதியார்	III.	புரட்சிக் கவிஞர்
D.	சுரதா	IV.	மகாகவி

கீழே கொடுக்கப்பட்டுள்ள வாய்ப்புகளில் இருந்து சரியான விடையைத் தேர்ந்தெடுக்கவும்:

1. A-II, B-III, C-I, D-IV
2. A-IV, B-II, C-I, D-III
3. A-II, B-IV, C-I, D-III
4. A-III, B-I, C-IV, D-II

Options :

485584138345. 1

485584138346. 2

485584138347. 3

485584138348. 4

Question Number : 83 Question Id : 48558434588 Question Type : MCQ Option Shuffling : No Is Question Mandatory : No Calculator : None Response Time : N.A Think Time : N.A Minimum Instruction Time : 0

Correct Marks : 5 Wrong Marks : 1

Question Key Details :

Key	Value
Comprehension	MCQ

பட்டியல் I ஐ பட்டியல் II உடன் பொருத்துக

பட்டியல் I	பட்டியல் II
A. முல்லை	I. சுரமும் சுரம் சார்ந்த இடமும்
B. நெய்தல்	II. வயலும் வயல் சார்ந்த இடமும்
C. பாலை	III. காடும் காடு சார்ந்த இடமும்
D. மருதம்	IV. கடலும் கடல் சார்ந்த இடமும்

கீழே கொடுக்கப்பட்டுள்ள வாய்ப்புகளில் இருந்து சரியான விடையைத் தேர்ந்தெடுக்கவும்:

1. A-II, B-III, C-IV, D-I
2. A-IV, B-I, C-II, D-III
3. A-III, B-IV, C-I, D-II
4. A-IV, B-III, C-II, D-I

Options :

485584138349. 1

485584138350. 2

485584138351. 3

485584138352. 4

Question Number : 84 Question Id : 48558434589 Question Type : MCQ Option Shuffling : No Is Question Mandatory : No Calculator : None Response Time : N.A Think Time : N.A Minimum Instruction Time : 0

Correct Marks : 5 Wrong Marks : 1

Question Key Details :

Key	Value
Comprehension	MCQ

பட்டியல் I ஐ பட்டியல் II உடன் பொருத்துக

பட்டியல் I		பட்டியல் II	
A.	அப்துல் ரகுமான்	I.	ஆகாயத்துக்கு அடுத்த வீடு
B.	மு. மேத்தா	II.	காந்தள் நாட்கள்
C.	புவியரசு	III.	ஆலாபனை
D.	இன்குலாப்	IV.	கையொப்பம்

கீழே கொடுக்கப்பட்டுள்ள வாய்ப்புகளில் இருந்து சரியான விடையைத் தேர்ந்தெடுக்கவும்:

1. A-III, B-I, C-IV, D-II
2. A-II, B-IV, C-I, D-III
3. A-IV, B-III, C-II, D-I
4. A-III, B-IV, C-I, D-II

Options :

485584138353. 1
485584138354. 2
485584138355. 3
485584138356. 4

Question Number : 85 Question Id : 48558434590 Question Type : MCQ Option Shuffling : No Is Question Mandatory : No Calculator : None Response Time : N.A Think Time : N.A Minimum Instruction Time : 0

Correct Marks : 5 Wrong Marks : 1

Question Key Details :

Key	Value
Comprehension	MCQ

பட்டியல் I ஐ பட்டியல் II உடன் பொருத்துக

பட்டியல் I		பட்டியல் II	
A.	மனப்பான்மை	I.	Consciousness
B.	அறிவுநிலை	II.	Attitude
C.	நினைவுநிலை	III.	Balance
D.	சமநிலை	IV.	Cognition

கீழே கொடுக்கப்பட்டுள்ள வாய்ப்புகளில் இருந்து சரியான விடையைத் தேர்ந்தெடுக்கவும்:

1. A-II, B-III, C-IV, D-I
2. A-III, B-IV, C-I, D-II
3. A-II, B-IV, C-I, D-III
4. A-IV, B-III, C-II, D-I

Options :

485584138357. 1

485584138358. 2

485584138359. 3

485584138360. 4

Question Number : 86 Question Id : 48558434591 Question Type : MCQ Option Shuffling : No Is Question Mandatory : No Calculator : None Response Time : N.A Think Time : N.A Minimum Instruction Time : 0

Correct Marks : 5 Wrong Marks : 1

Question Key Details :

Key	Value
Comprehension	MCQ

பட்டியல் I ஐ பட்டியல் II உடன் பொருத்துக

பட்டியல் I		பட்டியல் II	
A.	பொன்விளையும் பூமி	I.	சிறுவர் நிகழ்ச்சிகள்
B.	கண்மணிப் பூங்கா	II.	நேயர் கடிதங்கள்
C.	எதிரொலி	III.	நன்னெறிக் கதைகள்
D.	இன்று ஒரு தகவல்	IV.	வேளாண் நிகழ்ச்சிகள்

கீழே கொடுக்கப்பட்டுள்ள வாய்ப்புகளில் இருந்து சரியான விடையைத் தேர்ந்தெடுக்கவும்:

1. A-III, B-IV, C-I, D-II
2. A-II, B-III, C-I, D-IV
3. A-IV, B-III, C-II, D-I
4. A-IV, B-I, C-II, D-III

Options :

485584138361. 1

485584138362. 2

485584138363. 3

485584138364. 4

Question Number : 87 Question Id : 48558434592 Question Type : MCQ Option Shuffling : No Is Question Mandatory : No Calculator : None Response Time : N.A Think Time : N.A Minimum Instruction Time : 0

Correct Marks : 5 Wrong Marks : 1

Question Key Details :

Key	Value
Comprehension	MCQ

பட்டியல் I ஐ பட்டியல் II உடன் பொருத்துக

பட்டியல் I		பட்டியல் II	
A.	மையச் செயலகம்	I.	Touch Screen
B.	தொடுதிரை	II.	Battery
C.	மின்கலம்	III.	Sim Card
D.	செறிவு அட்டை	IV.	Central Processing Unit

கீழே கொடுக்கப்பட்டுள்ள வாய்ப்புகளில் இருந்து சரியான விடையைத் தேர்ந்தெடுக்கவும்:

1. A-IV, B-I, C-II, D-III
2. A-III, B-IV, C-I, D-II
3. A-II, B-III, C-IV, D-I
4. A-II, B-IV, C-I, D-III

Options :

485584138365. 1
485584138366. 2
485584138367. 3
485584138368. 4

Question Number : 88 Question Id : 48558434593 Question Type : MCQ Option Shuffling : No Is Question Mandatory : No Calculator : None Response Time : N.A Think Time : N.A Minimum Instruction Time : 0

Correct Marks : 5 Wrong Marks : 1

Question Key Details :

Key	Value
Comprehension	MCQ

திராவிட மொழிகளைத் தெரிவு செய்க.

- A. தமிழ்
- B. பாலி
- C. கன்னடம்
- D. மலையாளம்

கீழே கொடுக்கப்பட்டுள்ள வாய்ப்புகளில் இருந்து சரியான விடையைத் தேர்ந்தெடுக்கவும்:

1. A, C, D மட்டும்
2. B, C, D மட்டும்
3. A, B, C மட்டும்
4. A, B, D மட்டும்

Options :

485584138369. 1

485584138370. 2

485584138371. 3

485584138372. 4

Question Number : 89 Question Id : 48558434594 Question Type : MCQ Option Shuffling : No Is Question Mandatory : No Calculator : None Response Time : N.A Think Time : N.A Minimum Instruction Time : 0

Correct Marks : 5 Wrong Marks : 1

Question Key Details :

Key	Value
Comprehension	MCQ

எட்டாம் திருமுறையில் இடம் பெற்றுள்ள நூல்கள்

- A. திருமந்திரம்
- B. திருவாசகம்
- C. தேவாரம்
- D. திருக்கோவையார்

கீழே கொடுக்கப்பட்டுள்ள வாய்ப்புகளில் இருந்து சரியான விடையைத் தேர்ந்தெடுக்கவும்:

- 1. A, B மட்டும்
- 2. B, C மட்டும்
- 3. A, C மட்டும்
- 4. B, D மட்டும்

Options :

485584138373. 1

485584138374. 2

485584138375. 3

485584138376. 4

Question Number : 90 Question Id : 48558434595 Question Type : MCQ Option Shuffling : No Is Question Mandatory : No Calculator : None Response Time : N.A Think Time : N.A Minimum Instruction Time : 0

Correct Marks : 5 Wrong Marks : 1

Question Key Details :

Key	Value
Comprehension	MCQ

அச்சக் கலையோடு தொடர்புடையது.

- A. எழுத்துரு
- B. அச்சக் கோர்ப்பு
- C. ஓலைச்சுவடி
- D. பிழைத்திருத்தம்

கீழே கொடுக்கப்பட்டுள்ள வாய்ப்புகளில் இருந்து சரியான விடையைத் தேர்ந்தெடுக்கவும்:

- 1. A, B, C மட்டும்
- 2. B, C, D மட்டும்
- 3. A, B, D மட்டும்
- 4. A, C, D மட்டும்

Options :

- 485584138377. 1
- 485584138378. 2
- 485584138379. 3
- 485584138380. 4

Question Number : 91 Question Id : 48558434596 Question Type : MCQ Option Shuffling : No Is Question Mandatory : No Calculator : None Response Time : N.A Think Time : N.A Minimum Instruction Time : 0

Correct Marks : 5 Wrong Marks : 1

Question Key Details :

Key	Value
Comprehension	MCQ

எழுத்தாளர் ஜெயகாந்தன் இயங்கிய துறைகள்

- A. இலக்கியம்
- B. ஓவியம்
- C. திரைப்படம்
- D. சிற்பம்

கீழே கொடுக்கப்பட்டுள்ள வாய்ப்புகளில் இருந்து சரியான விடையைத் தேர்ந்தெடுக்கவும்:

- 1. A, B மட்டும்
- 2. A, C மட்டும்
- 3. C, D மட்டும்
- 4. B, D மட்டும்

Options :

- 485584138381. 1
- 485584138382. 2

485584138383. 3

485584138384. 4

Question Number : 92 Question Id : 48558434597 Question Type : MCQ Option Shuffling : No Is Question Mandatory : No Calculator : None Response Time : N.A Think Time : N.A Minimum Instruction Time : 0

Correct Marks : 5 Wrong Marks : 1

Question Key Details :

Key	Value
Comprehension	MCQ

சார்பு எழுத்துகளைத் தெரிவு செய்க.

- A. குற்றியலுகரம்
- B. ஆய்தம்
- C. மெய்
- D. குற்றியலிகரம்

கீழே கொடுக்கப்பட்டுள்ள வாய்ப்புகளில் இருந்து சரியான விடையைத் தேர்ந்தெடுக்கவும்:

1. A, B, D மட்டும்
2. B, C, D மட்டும்
3. A, C, D மட்டும்
4. A, B, C மட்டும்

Options :

485584138385. 1

485584138386. 2

485584138387. 3

485584138388. 4

Question Number : 93 Question Id : 48558434598 Question Type : MCQ Option Shuffling : No Is Question Mandatory : No Calculator : None Response Time : N.A Think Time : N.A Minimum Instruction Time : 0

Correct Marks : 5 Wrong Marks : 1

Question Key Details :

Key	Value
Comprehension	MCQ

சிறுநீரில் கிணிய வகையைச் சார்ந்தவை

- A. முக்கூடற்பள்ளு
- B. வளையாபதி
- C. தஞ்சைவாணன் கோவை
- D. அபிராமி அந்தாதி

கீழே கொடுக்கப்பட்டுள்ள வாய்ப்புகளில் இருந்து சரியான விடையைத் தேர்ந்தெடுக்கவும்:

1. A, B, D மட்டும்
2. B, C, D மட்டும்
3. A, B, C மட்டும்
4. A, C, D மட்டும்

Options :

- 485584138389. 1
- 485584138390. 2
- 485584138391. 3
- 485584138392. 4

Question Number : 94 Question Id : 48558434599 Question Type : MCQ Option Shuffling : No Is Question Mandatory : No Calculator : None Response Time : N.A Think Time : N.A Minimum Instruction Time : 0

Correct Marks : 5 Wrong Marks : 1

Question Key Details :

Key	Value
Comprehension	MCQ

நாட்டுப்புறக் கலைகள்

- A. தெருக்கூத்து
- B. கரகாட்டம்
- C. பரத நாட்டியம்
- D. காவடியாட்டம்

கீழே கொடுக்கப்பட்டுள்ள வாய்ப்புகளில் இருந்து சரியான விடையைத் தேர்ந்தெடுக்கவும்:

1. A, B, C மட்டும்
2. B, C, D மட்டும்
3. A, B, D மட்டும்
4. A, C, D மட்டும்

Options :

- 485584138393. 1
- 485584138394. 2

485584138395. 3

485584138396. 4

Question Number : 95 Question Id : 48558434600 Question Type : MCQ Option Shuffling : No Is Question Mandatory : No Calculator : None Response Time : N.A Think Time : N.A Minimum Instruction Time : 0

Correct Marks : 5 Wrong Marks : 1

Question Key Details :

Key	Value
Comprehension	MCQ

உதிரம் என்பதன் பொருள்

1. கண்ணீர்
2. மழைநீர்
3. வெந்நீர்
4. குருதி

Options :

485584138397. 1

485584138398. 2

485584138399. 3

485584138400. 4

Question Number : 96 Question Id : 48558434601 Question Type : MCQ Option Shuffling : No Is Question Mandatory : No Calculator : None Response Time : N.A Think Time : N.A Minimum Instruction Time : 0

Correct Marks : 5 Wrong Marks : 1

Question Key Details :

Key	Value
Comprehension	MCQ

வெய்யோன் என்பதன் பொருள்

1. நிலவு
2. விண்மீன்
3. கார்மேகம்
4. கதிரவன்

Options :

485584138401. 1

485584138402. 2

485584138403. 3

485584138404. 4

Question Number : 97 Question Id : 48558434602 Question Type : MCQ Option Shuffling : No Is Question Mandatory : No Calculator : None Response Time : N.A Think Time : N.A Minimum Instruction Time : 0

Correct Marks : 5 Wrong Marks : 1

Question Key Details :

Key	Value
Comprehension	MCQ

எழில் என்பதன் பொருள்

1. ஒளி
2. இருள்
3. அழகு
4. இயற்கை

Options :

485584138405. 1
485584138406. 2
485584138407. 3
485584138408. 4

Question Number : 98 Question Id : 48558434603 Question Type : MCQ Option Shuffling : No Is Question Mandatory : No Calculator : None Response Time : N.A Think Time : N.A Minimum Instruction Time : 0

Correct Marks : 5 Wrong Marks : 1

Question Key Details :

Key	Value
Comprehension	MCQ

துஞ்சுதல் என்பதன் எதிர்ச்சொல்

1. அஞ்சுதல்
2. கெஞ்சுதல்
3. விழித்தல்
4. ஒளித்தல்

Options :

485584138409. 1
485584138410. 2
485584138411. 3
485584138412. 4

Question Number : 99 Question Id : 48558434604 Question Type : MCQ Option Shuffling : No Is Question Mandatory : No Calculator : None Response Time : N.A Think Time : N.A Minimum Instruction Time : 0

Correct Marks : 5 Wrong Marks : 1

Question Key Details :

Key	Value
Comprehension	MCQ

அல்லல் என்பதன் எதிர்ச்சொல்

1. இன்பம்
2. துன்பம்
3. வன்மம்
4. கன்மம்

Options :

485584138413. 1
485584138414. 2
485584138415. 3
485584138416. 4

Question Number : 100 Question Id : 48558434605 Question Type : MCQ Option Shuffling : No Is Question Mandatory : No Calculator : None Response Time : N.A Think Time : N.A Minimum Instruction Time : 0

Correct Marks : 5 Wrong Marks : 1

Question Key Details :

Key	Value
Comprehension	MCQ

மடி என்பதன் எதிர்ச்சொல்

1. அருவெறுப்பு
2. அருவருப்பு
3. சுறுசுறுப்பு
4. கடுகடுப்பு

Options :

485584138417. 1
485584138418. 2
485584138419. 3
485584138420. 4

Spanish

Group Number :	6
Group Id :	485584773
Group Maximum Duration :	45
Group Minimum Duration :	45
Show Attended Group? :	No
Edit Attended Group? :	No
Break time :	0
Group Marks :	200
Is this Group for Examiner? :	No
Examiner permission :	Cant View
Show Progress Bar? :	No

Spanish

Section Id :	485584891
Section Number :	1
Section type :	Online
Mandatory or Optional :	Mandatory
Number of Questions :	50
Number of Questions to be attempted :	40
Section Marks :	200
Enable Mark as Answered Mark for Review and Clear Response :	Yes
Maximum Instruction Time :	0
Sub-Section Number :	1
Sub-Section Id :	4855842526
Question Shuffling Allowed :	No
Is Section Default? :	null
Sub-Section Number :	2
Sub-Section Id :	4855842527
Question Shuffling Allowed :	No
Is Section Default? :	null
Sub-Section Number :	3
Sub-Section Id :	4855842528
Question Shuffling Allowed :	No
Is Section Default? :	null
Sub-Section Number :	4
Sub-Section Id :	4855842529
Question Shuffling Allowed :	Yes
Is Section Default? :	null

Anthropology

Group Number :	7
Group Id :	485584774
Group Maximum Duration :	45
Group Minimum Duration :	45
Show Attended Group? :	No
Edit Attended Group? :	No
Break time :	0
Group Marks :	200
Is this Group for Examiner? :	No
Examiner permission :	Cant View
Show Progress Bar? :	No

Anthropology

Section Id :	485584892
Section Number :	1
Section type :	Online
Mandatory or Optional :	Mandatory
Number of Questions :	50
Number of Questions to be attempted :	40

Section Marks : 200
Enable Mark as Answered Mark for Review and Clear Response : Yes
Maximum Instruction Time : 0
Sub-Section Number : 1
Sub-Section Id : 4855842530
Question Shuffling Allowed : Yes
Is Section Default? : null

Question Number : 101 Question Id : 48558434206 Question Type : MCQ Option Shuffling : No Is Question Mandatory : No Calculator : None Response Time : N.A Think Time : N.A Minimum Instruction Time : 0

Correct Marks : 5 Wrong Marks : 1

Question Key Details :

Key	Value
Comprehension	MCQ

The science of genetics is an important discipline which deals with the:

1. Study of organism in their natural habitat
2. Study of relation of humans and their culture
3. Study of heredity or mechanism of inheritance
4. Study of micro-organism

Options :

485584136821. 1
485584136822. 2
485584136823. 3
485584136824. 4

Question Number : 101 Question Id : 48558434206 Question Type : MCQ Option Shuffling : No Is Question Mandatory : No Calculator : None Response Time : N.A Think Time : N.A Minimum Instruction Time : 0

Correct Marks : 5 Wrong Marks : 1

Question Key Details :

Key	Value
Comprehension	MCQ

மரபியல் அறிவியலின் முக்கிய துறை_____ பற்றியது.

1. வாழ்விடங்களில் உயிரினங்கள் பற்றிய படிப்பு
2. மனிதர்களுக்கும் அவர்களின் கலாச்சாரதிற்கும் இடையேயான தொடர்பு குறித்தும் படிக்கும் படிப்பு
3. மரபுவழி சார்ந்த படிப்பு அல்லது மரபுச்சார்ந்த செயல்முறை குறித்த படிப்பு
4. நுண்ணுயிர்கள் பற்றிய படிப்பு

Options :

485584136821. 1
485584136822. 2
485584136823. 3

485584136824. 4

Question Number : 102 Question Id : 48558434207 Question Type : MCQ Option Shuffling : No Is Question Mandatory : No Calculator : None Response Time : N.A Think Time : N.A Minimum Instruction Time : 0

Correct Marks : 5 Wrong Marks : 1

Question Key Details :

Key	Value
Comprehension	MCQ

Scientists associated with rediscovery of Mendel's law were.

1. de Vries, Carrens and von Tschermak
2. Walter Sutton, Landsteiner and Theodore Boveri
3. Longdon Varies, James Watson and Mark Chose
4. Alfred Hershey, Peter Curtstein and Victor Hugo

Options :

485584136825. 1
485584136826. 2
485584136827. 3
485584136828. 4

Question Number : 102 Question Id : 48558434207 Question Type : MCQ Option Shuffling : No Is Question Mandatory : No Calculator : None Response Time : N.A Think Time : N.A Minimum Instruction Time : 0

Correct Marks : 5 Wrong Marks : 1

Question Key Details :

Key	Value
Comprehension	MCQ

மேன்டலின் விதியை மறு கண்டுபிடிப்பு செய்த விஞ்ஞானிகள்

1. டி விரிஸ், கேரன்ஸ், ஸ்கிர்மேக்
2. வால்டர் சுட்டான், லேண்ட் ஸ்டெய்னர் மற்றும் தியோடர் போவரி
3. லண்டன் வோரிஸ், ஜேம்ஸ் வாட்சன் மற்றும் மார்க் சோஸ்
4. ஆல்பிரட் ஹெர்சி, பீட்டர் கர்ட்ஸ்டெய்ன் மற்றும் விக்டர் ஹூகோ

Options :

485584136825. 1
485584136826. 2
485584136827. 3
485584136828. 4

Question Number : 103 Question Id : 48558434208 Question Type : MCQ Option Shuffling : No Is Question Mandatory : No Calculator : None Response Time : N.A Think Time : N.A Minimum Instruction Time : 0

Correct Marks : 5 Wrong Marks : 1

Question Key Details :

Key	Value
-----	-------

The production of gametes by the parents, the formation of the Zygotes, the F1 and F2 plants can be understood from a diagram called as:

1. Mendel Square
2. Punnett Square
3. Watson Square
4. Francis Crick Square

Options :

485584136829. 1
485584136830. 2
485584136831. 3
485584136832. 4

Question Number : 103 Question Id : 48558434208 Question Type : MCQ Option Shuffling : No Is Question Mandatory : No Calculator : None Response Time : N.A Think Time : N.A Minimum Instruction Time : 0

Correct Marks : 5 Wrong Marks : 1

Question Key Details :

Key	Value
Comprehension	MCQ

தாவரங்களில் பாலினசெல்களின் உற்பத்தி (கேமிட்கள்) அதனால் உருவாகும் கருவானது (சைகோட்) F1 மற்றும் F2 தாவரங்களின் சந்ததி உருவாக்கதினைப் புரிந்து கொள்ளப் பயன்படும் வரைபடம்:

1. மெண்டல் சதுரம்
2. புன்னட் சதுரம்
3. வாட்சன் சதுரம்
4. பிரான்சிஸ் கிரிக் சதுரம்

Options :

485584136829. 1
485584136830. 2
485584136831. 3
485584136832. 4

Question Number : 104 Question Id : 48558434209 Question Type : MCQ Option Shuffling : No Is Question Mandatory : No Calculator : None Response Time : N.A Think Time : N.A Minimum Instruction Time : 0

Correct Marks : 5 Wrong Marks : 1

Question Key Details :

Key	Value
Comprehension	MCQ

The belief without scientific basis that some "races" are inferior to others is known as:

1. Ethnocentrism
2. Racism
3. Cultural relativism
4. Animatism

Options :

485584136833. 1
485584136834. 2
485584136835. 3
485584136836. 4

Question Number : 104 Question Id : 48558434209 Question Type : MCQ Option Shuffling : No Is Question Mandatory : No Calculator : None Response Time : N.A Think Time : N.A Minimum Instruction Time : 0

Correct Marks : 5 Wrong Marks : 1

Question Key Details :

Key	Value
Comprehension	MCQ

இனங்கள் குறித்த அறிவியல் புரிதல் இல்லாமல் பிற இனங்களை தாழ்வாக நினைக்கும் செயல்பாடு

1. இனமையவாதம்
2. சாதியம்
3. கலாச்சார தொடர்பியம்
4. அனிமாட்டிசம்

Options :

485584136833. 1
485584136834. 2
485584136835. 3
485584136836. 4

Question Number : 105 Question Id : 48558434210 Question Type : MCQ Option Shuffling : No Is Question Mandatory : No Calculator : None Response Time : N.A Think Time : N.A Minimum Instruction Time : 0

Correct Marks : 5 Wrong Marks : 1

Question Key Details :

Key	Value
Comprehension	MCQ

The Fibrinogen has got some special features. It may cause clotting in whole blood by creating certain fibrous substances known as:

1. Clot
2. Lymph
3. PLASMA
4. Fibrin

Options :

485584136837. 1
485584136838. 2
485584136839. 3
485584136840. 4

Question Number : 105 Question Id : 48558434210 Question Type : MCQ Option Shuffling : No Is Question Mandatory : No Calculator : None Response Time : N.A Think Time : N.A Minimum Instruction Time : 0

Correct Marks : 5 Wrong Marks : 1

Question Key Details :

Key	Value
Comprehension	MCQ

நாரிணி வகை (பைப்ரினோஜென்) நுண்ணுயிரி சிறப்பான ஒரு இயல்பைப் பெற்றிருக்கும். அது இரத்தத்தை உறைய வைக்கும் ஒரு வகையான நார்சத்துப் பொருளை உருவாக்கும். அதன் பெயர்_____.

1. உறைதல்
2. நிணநீர்
3. பிளாஸ்மா
4. பிப்ரின்

Options :

485584136837. 1
485584136838. 2
485584136839. 3
485584136840. 4

Question Number : 106 Question Id : 48558434211 Question Type : MCQ Option Shuffling : No Is Question Mandatory : No Calculator : None Response Time : N.A Think Time : N.A Minimum Instruction Time : 0

Correct Marks : 5 Wrong Marks : 1

Question Key Details :

Key	Value
Comprehension	MCQ

Match List I with List II

LIST I Persons of blood group		LIST II Can receive blood from persons having blood group	
A.	A	I.	O
B.	B	II.	A, B, AB, O
C.	AB	III.	B, O
D.	O	IV.	A, O

Choose the correct answer from the options given below:

1. A-IV, B-II, C-III, D-I
2. A-I, B-II, C-III, D-IV
3. A-IV, B-III, C-II, D-I
4. A-II, B-III, C-I, D-IV

Options :

485584136841. 1
485584136842. 2
485584136843. 3
485584136844. 4

Question Number : 106 Question Id : 48558434211 Question Type : MCQ Option Shuffling : No Is Question Mandatory : No Calculator : None Response Time : N.A Think Time : N.A Minimum Instruction Time : 0

Correct Marks : 5 Wrong Marks : 1

Question Key Details :

Key	Value
Comprehension	MCQ

பட்டியல் I ஐ பட்டியல் II உடன் பொருத்துக

பட்டியல் I இரத்தவகை		பட்டியல் II இரத்தம் கொடுப்பவரிடம் இருந்து இரத்தம் பெறலாம்	
A.	A	I.	O
B.	B	II.	A, B, AB, O
C.	AB	III.	B, O
D.	O	IV.	A, O

கீழே தரப்பட்டுள்ள வாய்ப்புகளில் இருந்து சரியான விடையைத் தேர்ந்தெடுக்கவும்:

1. A-IV, B-II, C-III, D-I
2. A-I, B-II, C-III, D-IV
3. A-IV, B-III, C-II, D-I
4. A-II, B-III, C-I, D-IV

Options :

485584136841. 1

485584136842. 2
485584136843. 3
485584136844. 4

Question Number : 107 Question Id : 48558434212 Question Type : MCQ Option Shuffling : No Is Question Mandatory : No Calculator : None Response Time : N.A Think Time : N.A Minimum Instruction Time : 0

Correct Marks : 5 Wrong Marks : 1

Question Key Details :

Key	Value
Comprehension	MCQ

Write the following in chronological order beginning from the oldest to the newest.

- A. Microliths
- B. Copper - clay culture
- C. Core tool industry
- D. Flake tool culture
- E. Blade tool culture

Choose the correct answer from the options given below:

- 1. A, B, C, D, E
- 2. C, D, A, B, E
- 3. E, A, B, C, D
- 4. C, D, E, A, B

Options :

485584136845. 1
485584136846. 2
485584136847. 3
485584136848. 4

Question Number : 107 Question Id : 48558434212 Question Type : MCQ Option Shuffling : No Is Question Mandatory : No Calculator : None Response Time : N.A Think Time : N.A Minimum Instruction Time : 0

Correct Marks : 5 Wrong Marks : 1

Question Key Details :

Key	Value
Comprehension	MCQ

கீழ்க்கண்டவற்றை பழங்காலத்திலிருந்து தற்காலம் வரை உள்ள பண்பாட்டினை கால வரிசையில் எழுதுக.

- A. மைக்ரோலித்கள்
- B. தாமிர - களிமண் கலாச்சாரம்
- C. முக்கிய கருவி தொழிற்சாலை
- D. பிளேக் கருவிப்பண்பாடு
- E. வெட்டும் கருவிப்பண்பாடு

கீழே தரப்பட்டுள்ள வாய்ப்புகளில் இருந்து சரியான விடையைத் தேர்ந்தெடுக்கவும்:

- 1. A, B, C, D, E
- 2. C, D, A, B, E
- 3. E, A, B, C, D
- 4. C, D, E, A, B

Options :

- 485584136845. 1
- 485584136846. 2
- 485584136847. 3
- 485584136848. 4

Question Number : 108 Question Id : 48558434213 Question Type : MCQ Option Shuffling : No Is Question Mandatory : No Calculator : None Response Time : N.A Think Time : N.A Minimum Instruction Time : 0

Correct Marks : 5 Wrong Marks : 1

Question Key Details :

Key	Value
Comprehension	MCQ

To determine the genotype of a tall plant at F_2 generation, Mendel crossed the tall plant from F_2 generation with a dwarf plant. This he called as:

- 1. Monohybrid Cross
- 2. Dihybrid Cross
- 3. Back Cross
- 4. Test Cross

Options :

- 485584136849. 1
- 485584136850. 2
- 485584136851. 3
- 485584136852. 4

Question Number : 108 Question Id : 48558434213 Question Type : MCQ Option Shuffling : No Is Question Mandatory : No Calculator : None Response Time : N.A Think Time : N.A Minimum Instruction Time : 0

Correct Marks : 5 Wrong Marks : 1

Question Key Details :

Key	Value
Comprehension	MCQ

மெண்டல் F_2 தலைமுறையின் உயரமான தாவரத்தை குட்டை தாவரத்துடன் கலப்பு செய்து உயரமான தாவரத்தின் F_2 தலைமுறையில் ஜீனோவகையை கண்டறிய முயன்றார். இவர் இதற்கு தந்த பெயர்

1. ஓரின கலப்பு
2. ஈரினக் கலப்பு
3. பின் தலைமுறை கலப்பு
4. தேர்வுக் கலப்பு

Options :

485584136849. 1
 485584136850. 2
 485584136851. 3
 485584136852. 4

Question Number : 109 Question Id : 48558434214 Question Type : MCQ Option Shuffling : No Is Question Mandatory : No Calculator : None Response Time : N.A Think Time : N.A Minimum Instruction Time : 0

Correct Marks : 5 Wrong Marks : 1

Question Key Details :

Key	Value
Comprehension	MCQ

Which of the following does not belong to the Mendel's law of inheritance.

1. Law of Dominance
2. Law of Segregation
3. Use and Disuse of organs
4. Law of Purity of gametes

Options :

485584136853. 1
 485584136854. 2
 485584136855. 3
 485584136856. 4

Question Number : 109 Question Id : 48558434214 Question Type : MCQ Option Shuffling : No Is Question Mandatory : No Calculator : None Response Time : N.A Think Time : N.A Minimum Instruction Time : 0

Correct Marks : 5 Wrong Marks : 1

Question Key Details :

Key	Value
Comprehension	MCQ

கீழ்க்கண்டவற்றுள் மெண்டலின் மரபு விதிக்கு உட்படாதது எது?

1. ஆதிக்க விதி
2. பிரிவினை விதி
3. உறுப்புகளின் பயன் மற்றும் பயன்பாடுகள் அற்ற தன்மை
4. கேமியேட்டுகளின் தூய்மை விதி

Options :

485584136853. 1
485584136854. 2
485584136855. 3
485584136856. 4

Question Number : 110 Question Id : 48558434215 Question Type : MCQ Option Shuffling : No Is Question Mandatory : No Calculator : None Response Time : N.A Think Time : N.A Minimum Instruction Time : 0

Correct Marks : 5 Wrong Marks : 1

Question Key Details :

Key	Value
Comprehension	MCQ

Which of the following are considered as primary race ?

- A. Mongoloid
- B. Australoid
- C. Vedoid
- D. Negroid
- E. Caucasoid

Choose the correct answer from the options given below:

1. A, D and E only
2. A, B and C only
3. B, C and D only
4. C, D and E only

Options :

485584136857. 1
485584136858. 2
485584136859. 3
485584136860. 4

Question Number : 110 Question Id : 48558434215 Question Type : MCQ Option Shuffling : No Is Question Mandatory : No Calculator : None Response Time : N.A Think Time : N.A Minimum Instruction Time : 0

Correct Marks : 5 Wrong Marks : 1

Question Key Details :

Key	Value
Comprehension	MCQ

கீழ்க்கொடுக்கப்பட்டுள்ளவற்றுள் எது முதன்மையான இனமாக கருதப்படுகிறது?

- A. மங்கோலாய்டு
- B. ஆஸ்ட்ரலாய்டு
- C. வீடாய்டு
- D. நீக்ரோய்டு
- E. காகாஸாயிட்

கீழே தரப்பட்டுள்ள வாய்ப்புகளில் இருந்து சரியான விடையைத் தேர்ந்தெடுக்கவும்:

1. A, D மற்றும் E மட்டும்
2. A, B மற்றும் C மட்டும்
3. B, C மற்றும் D மட்டும்
4. C, D மற்றும் E மட்டும்

Options :

- 485584136857. 1
- 485584136858. 2
- 485584136859. 3
- 485584136860. 4

Question Number : 111 Question Id : 48558434216 Question Type : MCQ Option Shuffling : No Is Question Mandatory : No Calculator : None Response Time : N.A Think Time : N.A Minimum Instruction Time : 0

Correct Marks : 5 Wrong Marks : 1

Question Key Details :

Key	Value
Comprehension	MCQ

Match List I with List II

LIST I		LIST II	
A.	Anvil technique	I.	Swinging blow method
B.	Blade technique	II.	Negative Bulb of Percussion
C.	Clactonian technique	III.	Blade Tools
D.	Stone hammer technique	IV.	Handaxes

Choose the correct answer from the options given below:

1. A-IV, B-II, C-I, D-III
2. A-IV, B-III, C-I, D-II
3. A-I, B-II, C-III, D-IV
4. A-II, B-III, C-IV, D-I

Options :

- 485584136861. 1
- 485584136862. 2
- 485584136863. 3
- 485584136864. 4

Question Number : 111 Question Id : 48558434216 Question Type : MCQ Option Shuffling : No Is Question Mandatory : No Calculator : None Response Time : N.A Think Time : N.A Minimum Instruction Time : 0
 Correct Marks : 5 Wrong Marks : 1
 Question Key Details :

Key	Value
Comprehension	MCQ

பட்டியல் I ஐ பட்டியல் II உடன் பொருத்துக

பட்டியல் I		பட்டியல் II	
A.	அன்வில் உத்தி	I.	பெரிய செதுக்கும் கருவிகள்
B.	பிளேடு உத்தி	II.	எதிர் கூம்பு வடிவ வீக்கம்
C.	கள்ளக்டோனியன் உத்தி	III.	பிளேடு கருவிகள்
D.	சுத்திக்கல் உத்தி	IV.	கைக்கோடாரி

கீழே தரப்பட்டுள்ள வாய்ப்புகளில் இருந்து சரியான விடையைத் தேர்ந்தெடுக்கவும்:

1. A-IV, B-II, C-I, D-III
2. A-IV, B-III, C-I, D-II
3. A-I, B-II, C-III, D-IV
4. A-II, B-III, C-IV, D-I

Options :

485584136861. 1
 485584136862. 2
 485584136863. 3
 485584136864. 4

Question Number : 112 Question Id : 48558434217 Question Type : MCQ Option Shuffling : No Is Question Mandatory : No Calculator : None Response Time : N.A Think Time : N.A Minimum Instruction Time : 0
 Correct Marks : 5 Wrong Marks : 1
 Question Key Details :

Key	Value
Comprehension	MCQ

The first metal used in the human culture to make various implements was:

1. Bronze
2. Iron
3. Zinc
4. Copper

Options :

485584136865. 1
 485584136866. 2
 485584136867. 3
 485584136868. 4

Question Number : 112 Question Id : 48558434217 Question Type : MCQ Option Shuffling : No Is Question Mandatory : No Calculator : None Response Time : N.A Think Time : N.A Minimum Instruction Time : 0

Correct Marks : 5 Wrong Marks : 1

Question Key Details :

Key	Value
Comprehension	MCQ

முதன் முதலில் மனிதப் பண்பாட்டில் பல்வேறு தேவைகளுக்கு பயன்படுத்தப்பட்ட உலோகம்:

1. வெண்கலம்
2. இரும்பு
3. துத்தநாகம்
4. செம்புதாமிரம்

Options :

485584136865. 1
485584136866. 2
485584136867. 3
485584136868. 4

Question Number : 113 Question Id : 48558434218 Question Type : MCQ Option Shuffling : No Is Question Mandatory : No Calculator : None Response Time : N.A Think Time : N.A Minimum Instruction Time : 0

Correct Marks : 5 Wrong Marks : 1

Question Key Details :

Key	Value
Comprehension	MCQ

Chopper - Chopping comprises of which of the following types?

- A. Pebble tool
- B. Chopper
- C. Chopping
- D. Proto handaxe
- E. Points

Choose the correct answer from the options given below:

1. A, B, C, E only
2. B, C, D and E only
3. A, B, C and D only
4. A, B, and E only

Options :

485584136869. 1
485584136870. 2
485584136871. 3

Question Number : 113 Question Id : 48558434218 Question Type : MCQ Option Shuffling : No Is Question Mandatory : No Calculator : None Response Time : N.A Think Time : N.A Minimum Instruction Time : 0

Correct Marks : 5 Wrong Marks : 1

Question Key Details :

Key	Value
Comprehension	MCQ

சாப்பர்-சாப்பிங் செயல்பாடு கீழேக் கொடுக்கப்பட்டுள்ளவற்றில் எந்த வகையைச் சார்ந்தது?

- A. பெபில் கருவி
- B. சாப்பர்
- C. சாப்பிங்
- D. புரோட்டோ கோடாரி
- E. பாயின்ட்ஸ்

கீழே தரப்பட்டுள்ள வாய்ப்புகளில் இருந்து சரியான விடையைத் தேர்ந்தெடுக்கவும்:

1. A, B, C, E மட்டும்
2. B, C, D மற்றும் E மட்டும்
3. A, B, C மற்றும் D மட்டும்
4. A, B மற்றும் E மட்டும்

Options :

- 485584136869. 1
- 485584136870. 2
- 485584136871. 3
- 485584136872. 4

Question Number : 114 Question Id : 48558434219 Question Type : MCQ Option Shuffling : No Is Question Mandatory : No Calculator : None Response Time : N.A Think Time : N.A Minimum Instruction Time : 0

Correct Marks : 5 Wrong Marks : 1

Question Key Details :

Key	Value
Comprehension	MCQ

_____ is believed to have dominated the Middle Palaeolithic stage of human culture.

1. Homo-sapien sapien
2. Narmada man
3. Neanderthal man
4. Homo erectus

Options :

- 485584136873. 1
- 485584136874. 2

485584136875. 3

485584136876. 4

Question Number : 114 Question Id : 48558434219 Question Type : MCQ Option Shuffling : No Is Question Mandatory : No Calculator : None Response Time : N.A Think Time : N.A Minimum Instruction Time : 0

Correct Marks : 5 Wrong Marks : 1

Question Key Details :

Key	Value
Comprehension	MCQ

நடு பாலியோலித்திக் மனிதப் பண்பாட்டு காலத்தில் அதிகமாக ஆதிக்கம் செய்ததாக கருதப்படும் மனித வகையினர்_____.

1. ஹோமோ-சாப்பியன் சாப்பியன்
2. நர்மதா மனிதன்
3. நியோண்டர்தால் மனிதன்
4. ஹோமோ எரக்டஸ் (நிமிர் நிலை மனிதன்)

Options :

485584136873. 1

485584136874. 2

485584136875. 3

485584136876. 4

Question Number : 115 Question Id : 48558434220 Question Type : MCQ Option Shuffling : No Is Question Mandatory : No Calculator : None Response Time : N.A Think Time : N.A Minimum Instruction Time : 0

Correct Marks : 5 Wrong Marks : 1

Question Key Details :

Key	Value
Comprehension	MCQ

The earliest occurrence of Middle Palaeolithic cultural phase in India is dated around:

1. 1,00,000 BC
2. 10,000 BC
3. 36,000 BC
4. 3,60,000 BC

Options :

485584136877. 1

485584136878. 2

485584136879. 3

485584136880. 4

Question Number : 115 Question Id : 48558434220 Question Type : MCQ Option Shuffling : No Is Question Mandatory : No Calculator : None Response Time : N.A Think Time : N.A Minimum Instruction Time : 0

Correct Marks : 5 Wrong Marks : 1

Question Key Details :

Key	Value
Comprehension	MCQ

இந்தியாவில் நடுபாலியோலித்திக் பண்பாட்டின் தோற்றம்:

1. 1,00,000 கி.மு
2. 10,000 கி.மு
3. 36,000 கி.மு
4. 3,60,000 கி.மு

Options :

485584136877. 1
485584136878. 2
485584136879. 3
485584136880. 4

Question Number : 116 Question Id : 48558434221 Question Type : MCQ Option Shuffling : No Is Question Mandatory : No Calculator : None Response Time : N.A Think Time : N.A Minimum Instruction Time : 0

Correct Marks : 5 Wrong Marks : 1

Question Key Details :

Key	Value
Comprehension	MCQ

The transitional period between Upper Palaeolithic and Neolithic is:

1. Lower Palaeolithic
2. Middle Palaeolithic
3. Mesolithic
4. Chalcolithic Culture

Options :

485584136881. 1
485584136882. 2
485584136883. 3
485584136884. 4

Question Number : 116 Question Id : 48558434221 Question Type : MCQ Option Shuffling : No Is Question Mandatory : No Calculator : None Response Time : N.A Think Time : N.A Minimum Instruction Time : 0

Correct Marks : 5 Wrong Marks : 1

Question Key Details :

Key	Value
Comprehension	MCQ

மேல் பாலியோலித்திக் புதிய நியோலித்திக் மாற்றமடைந்த காலகட்டம் எது?

1. கீழ் பாலியோலித்திக்
2. நடு பாலியோலித்திக்
3. மீசோலித்திக்
4. சால்கோலித்திக் கலாச்சாரம்

Options :

485584136881. 1
485584136882. 2
485584136883. 3
485584136884. 4

Question Number : 117 Question Id : 48558434222 Question Type : MCQ Option Shuffling : No Is Question Mandatory : No Calculator : None Response Time : N.A Think Time : N.A Minimum Instruction Time : 0

Correct Marks : 5 Wrong Marks : 1

Question Key Details :

Key	Value
Comprehension	MCQ

The earliest manifestation of Neolithic Culture in South India is seen at.

1. Burzahom
2. Bagor
3. Sanganakallu
4. Hathnora

Options :

485584136885. 1
485584136886. 2
485584136887. 3
485584136888. 4

Question Number : 117 Question Id : 48558434222 Question Type : MCQ Option Shuffling : No Is Question Mandatory : No Calculator : None Response Time : N.A Think Time : N.A Minimum Instruction Time : 0

Correct Marks : 5 Wrong Marks : 1

Question Key Details :

Key	Value
Comprehension	MCQ

தென்னிந்தியாவில் நியோலித்திக் கலாச்சாரம் பண்பாடு முதலில் கண்டறியப்பட்ட தொல்பொருள் இடம்

1. பர்சாஹோம்
2. பாகோர்
3. சங்கனகல்லு
4. ஹத்நோரா

Options :

485584136885. 1
485584136886. 2
485584136887. 3
485584136888. 4

Question Number : 118 Question Id : 48558434223 Question Type : MCQ Option Shuffling : No Is Question Mandatory : No Calculator : None Response Time : N.A Think Time : N.A Minimum Instruction Time : 0

Correct Marks : 5 Wrong Marks : 1

Question Key Details :

Key	Value
Comprehension	MCQ

Arrange the following in chronological order beginning with the oldest first.

- A. Lower Palaeolithic
- B. Neolithic
- C. Middle Palaeolithic
- D. Mesolithic
- E. Upper Palaeolithic

Choose the correct answer from the options given below:

1. A, B, C, D, E
2. B, D, C, E, A
3. A, C, E, D, B
4. A, E, B, C, D

Options :

485584136889. 1
485584136890. 2
485584136891. 3
485584136892. 4

Question Number : 118 Question Id : 48558434223 Question Type : MCQ Option Shuffling : No Is Question Mandatory : No Calculator : None Response Time : N.A Think Time : N.A Minimum Instruction Time : 0

Correct Marks : 5 Wrong Marks : 1

Question Key Details :

Key	Value
-----	-------

கீழேக் கொடுக்கப்பட்டுள்ளவற்றை கால வரிசையில் வரிசைபடுத்துக:

- கீழ் பாலியோலித்திக்
- நியோலித்திக்
- பாலியோலித்திக்
- மீசோலித்திக்
- பாலியோலித்திக்

கீழே தரப்பட்டுள்ள வாய்ப்புகளில் இருந்து சரியான விடையைத் தேர்ந்தெடுக்கவும்:

- A, B, C, D, E
- B, D, C, E, A
- A, C, E, D, B
- A, E, B, C, D

Options :

485584136889. 1
485584136890. 2
485584136891. 3
485584136892. 4

Question Number : 119 Question Id : 48558434224 Question Type : MCQ Option Shuffling : No Is Question Mandatory : No Calculator : None Response Time : N.A Think Time : N.A Minimum Instruction Time : 0

Correct Marks : 5 Wrong Marks : 1

Question Key Details :

Key	Value
Comprehension	MCQ

Which of the following statements are correct for S.C. Roy?

- He was a lawyer by profession
- He had a formal degree in anthropology
- He founded the journal, Eastern Anthropologist
- He was the first person to describe 'dhumkuria'
- He founded the journal, Man in India.

Choose the correct answer from the options given below:

- A, C and E only
- B, D and E only
- A, D and E only
- B, C and E only

Options :

485584136893. 1
485584136894. 2
485584136895. 3

Question Number : 119 Question Id : 48558434224 Question Type : MCQ Option Shuffling : No Is Question Mandatory : No Calculator : None Response Time : N.A Think Time : N.A Minimum Instruction Time : 0

Correct Marks : 5 Wrong Marks : 1

Question Key Details :

Key	Value
Comprehension	MCQ

கீழேக் கொடுக்கப்பட்டுள்ள S.C. ராய் அவர்களைப் பற்றி குறிப்பிடும் கூற்றுகளில் எவை சரியானவை?

- A. அவர் வக்கீல் தொழில் செய்தவர்
- B. அவரிடம் மானிடவியலில் பட்டப்படிப்பு படித்தவர்.
- C. அவர் கிழக்கு மானிடவியலாளர்கள் என்ற இதழை ஆரம்பித்தவர்.
- D. 'தும்புகூரியா'வை முதன் முதலில் விவரித்தவர் இவர்.
- E. அவர் 'மேன் இன் இந்தியா' என்ற இதழை ஆரம்பித்தார்.

கீழே தரப்பட்டுள்ள வாய்ப்புகளில் இருந்து சரியான விடையைத் தேர்ந்தெடுக்கவும்:

- 1. A, C மற்றும் E மட்டும்
- 2. B, D மற்றும் E மட்டும்
- 3. A, D மற்றும் E மட்டும்
- 4. B, C மற்றும் E மட்டும்

Options :

- 485584136893. 1
- 485584136894. 2
- 485584136895. 3
- 485584136896. 4

Question Number : 120 Question Id : 48558434225 Question Type : MCQ Option Shuffling : No Is Question Mandatory : No Calculator : None Response Time : N.A Think Time : N.A Minimum Instruction Time : 0

Correct Marks : 5 Wrong Marks : 1

Question Key Details :

Key	Value
Comprehension	MCQ

Arrange the following cultures in chronological order.

- A. Abbevillian
- B. Mousterian
- C. Chalcolithic
- D. Azilian
- E. Chatelperronian

Choose the correct answer from the options given below:

- 1. A, B, E, D, C
- 2. A, B, C, D, E
- 3. B, C, D, A, E
- 4. D, E, B, A, C

Options :

- 485584136897. 1
- 485584136898. 2
- 485584136899. 3
- 485584136900. 4

Question Number : 120 Question Id : 48558434225 Question Type : MCQ Option Shuffling : No Is Question Mandatory : No Calculator : None Response Time : N.A Think Time : N.A Minimum Instruction Time : 0

Correct Marks : 5 Wrong Marks : 1

Question Key Details :

Key	Value
Comprehension	MCQ

கீழேக் கொடுக்கப்பட்டுள்ள கலாச்சாரங்களை கால வரிசையில் வரிசைபடுத்துக.

- A. அபேவில்லியன்
- B. மோசோட்டிரியன்
- C. சால்கோலித்திக்
- D. அசிலியன்
- E. பெர்ரோனியன்

கீழே தரப்பட்டுள்ள வாய்ப்புகளில் இருந்து சரியான விடையைத் தேர்ந்தெடுக்கவும்:

- 1. A, B, E, D, C
- 2. A, B, C, D, E
- 3. B, C, D, A, E
- 4. D, E, B, A, C

Options :

- 485584136897. 1
- 485584136898. 2
- 485584136899. 3
- 485584136900. 4

Question Number : 121 Question Id : 48558434226 Question Type : MCQ Option Shuffling : No Is Question Mandatory : No Calculator : None Response Time : N.A Think Time : N.A Minimum Instruction Time : 0

Correct Marks : 5 Wrong Marks : 1

Question Key Details :

Key	Value
Comprehension	MCQ

_____ describes the diverse economic arrangements developed by human being in different times and places.

1. Physical Anthropology
2. Archaeological Anthropology
3. Economic Anthropology
4. Linguistic Anthropology

Options :

485584136901. 1
485584136902. 2
485584136903. 3
485584136904. 4

Question Number : 121 Question Id : 48558434226 Question Type : MCQ Option Shuffling : No Is Question Mandatory : No Calculator : None Response Time : N.A Think Time : N.A Minimum Instruction Time : 0

Correct Marks : 5 Wrong Marks : 1

Question Key Details :

Key	Value
Comprehension	MCQ

_____ பல்வேறு காலகட்டம் மற்றும் பல்வேறு இடங்களில் மனிதனால் உருவாக்கப்பட்ட பன்முக பொருளாதார முறைகள் விளக்குகிறது.

1. உடற்சார் மானிடவியல்
2. தொல்லியல் மானிடவியல்
3. பொருளாதார மானிடவியல்
4. மொழியியல் மானிடவியல்

Options :

485584136901. 1
485584136902. 2
485584136903. 3
485584136904. 4

Question Number : 122 Question Id : 48558434227 Question Type : MCQ Option Shuffling : No Is Question Mandatory : No Calculator : None Response Time : N.A Think Time : N.A Minimum Instruction Time : 0

Correct Marks : 5 Wrong Marks : 1

Question Key Details :

Key	Value
Comprehension	MCQ

Arrange the following agricultural activities in order of their occurrence in the paddy cultivation.

- A. Threshing
- B. Sowing
- C. Harvesting
- D. Winnowing
- E. Protecting Plants

Choose the correct answer from the options given below:

- 1. A, B, C, D, E
- 2. E, D, B, C, A
- 3. B, E, C, A, D
- 4. C, D, E, B, A

Options :

- 485584136905. 1
- 485584136906. 2
- 485584136907. 3
- 485584136908. 4

Question Number : 122 Question Id : 48558434227 Question Type : MCQ Option Shuffling : No Is Question Mandatory : No Calculator : None Response Time : N.A Think Time : N.A Minimum Instruction Time : 0

Correct Marks : 5 Wrong Marks : 1

Question Key Details :

Key	Value
Comprehension	MCQ

நெற்பயிர் சாகுபடியின் விவசாய செயல்பாடுகளை வரிசைப்படுத்துக.

- A. கதிரடித்தல்
- B. விதைத்தல்
- C. அறுவடை செய்தல்
- D. தூற்றதல்
- E. பயிர்களைப் பாதுகாத்தல்

கீழே தரப்பட்டுள்ள வாய்ப்புகளில் இருந்து சரியான விடையைத் தேர்ந்தெடுக்கவும்:

- 1. A, B, C, D, E
- 2. E, D, B, C, A
- 3. B, E, C, A, D
- 4. C, D, E, B, A

Options :

- 485584136905. 1
- 485584136906. 2

485584136907. 3

485584136908. 4

Question Number : 123 Question Id : 48558434228 Question Type : MCQ Option Shuffling : No Is Question Mandatory : No Calculator : None Response Time : N.A Think Time : N.A Minimum Instruction Time : 0

Correct Marks : 5 Wrong Marks : 1

Question Key Details :

Key	Value
Comprehension	MCQ

Match List I with List II

LIST I		LIST II	
A.	Cultivation of fruits and vegetables	I.	Community hunting
B.	Cultivation using plough and yoke	II.	Terrace cultivation
C.	Hunting by a group of persons	III.	Plough cultivation
D.	Cultivation on hill slopes	IV.	Horticulture

Choose the correct answer from the options given below:

1. A-I, B-II, C-III, D-IV

2. A-I, B-IV, C-II, D-III

3. A-IV, B-III, C-II, D-I

4. A-IV, B-III, C-I, D-II

Options :

485584136909. 1

485584136910. 2

485584136911. 3

485584136912. 4

Question Number : 123 Question Id : 48558434228 Question Type : MCQ Option Shuffling : No Is Question Mandatory : No Calculator : None Response Time : N.A Think Time : N.A Minimum Instruction Time : 0

Correct Marks : 5 Wrong Marks : 1

Question Key Details :

Key	Value
Comprehension	MCQ

பட்டியல் I ஐ பட்டியல் II உடன் பொருத்துக

பட்டியல் I		பட்டியல் II	
A.	பழங்கள் மற்றும் காய்கறிகளைச் சாகுபடி செய்தல்	I.	இன வேட்டையாடும் முறை
B.	ஏர் மற்றும் எருது கொண்டு பயிர் செய்தல்	II.	மாடி தோட்டம்
C.	கூட்டாக வேட்டையாடுதல்	III.	உழுது சாகுபடி செய்தல்
D.	மலைச்சரிவுகளில் விவசாயம் செய்தல்	IV.	தோட்டக்கலை

கீழே தரப்பட்டுள்ள வாய்ப்புகளில் இருந்து சரியான விடையைத் தேர்ந்தெடுக்கவும்:

1. A-I, B-II, C-III, D-IV
2. A-I, B-IV, C-II, D-III
3. A-IV, B-III, C-II, D-I
4. A-IV, B-III, C-I, D-II

Options :

485584136909. 1
485584136910. 2
485584136911. 3
485584136912. 4

Question Number : 124 Question Id : 48558434229 Question Type : MCQ Option Shuffling : No Is Question Mandatory : No Calculator : None Response Time : N.A Think Time : N.A Minimum Instruction Time : 0

Correct Marks : 5 Wrong Marks : 1

Question Key Details :

Key	Value
Comprehension	MCQ

Food Gathering economy is not based on:

1. Gathering of fruits and roots
2. Horticulture
3. Hunting
4. Fishing

Options :

485584136913. 1
485584136914. 2
485584136915. 3
485584136916. 4

Question Number : 124 Question Id : 48558434229 Question Type : MCQ Option Shuffling : No Is Question Mandatory : No Calculator : None Response Time : N.A Think Time : N.A Minimum Instruction Time : 0

Correct Marks : 5 Wrong Marks : 1

Question Key Details :

Key	Value
Comprehension	MCQ

உணவுப்பொருள் சேகரிக்கும் பொருளாதாரம் என்பது எதை அடிப்படையாகக் கொண்டிருக்கவில்லை?

1. பழங்கள் மற்றும் கிழங்குகளைச் சேகரித்தல்
2. தோட்டக்கலை
3. வேட்டையாடுதல்
4. மீன்பிடித் தொழில்

Options :

485584136913. 1
485584136914. 2
485584136915. 3
485584136916. 4

Question Number : 125 Question Id : 48558434230 Question Type : MCQ Option Shuffling : No Is Question Mandatory : No Calculator : None Response Time : N.A Think Time : N.A Minimum Instruction Time : 0

Correct Marks : 5 Wrong Marks : 1

Question Key Details :

Key	Value
Comprehension	MCQ

In Arunachal Pradesh, Shifting Cultivation is called as.

1. Shyrti
2. Tekeonglu
3. Bogma
4. Adimik

Options :

485584136917. 1
485584136918. 2
485584136919. 3
485584136920. 4

Question Number : 125 Question Id : 48558434230 Question Type : MCQ Option Shuffling : No Is Question Mandatory : No Calculator : None Response Time : N.A Think Time : N.A Minimum Instruction Time : 0

Correct Marks : 5 Wrong Marks : 1

Question Key Details :

Key	Value
Comprehension	MCQ

அருணாச்சல பிரதேசத்தில் இடமாற்று விவசாயத்தினை _____ என்று அழைப்பர்.

1. ஷியட்ரி
2. டெக்னாங்ளு
3. போக்மா
4. அடிமிக்

Options :

485584136917. 1
485584136918. 2
485584136919. 3
485584136920. 4

Question Number : 126 Question Id : 48558434231 Question Type : MCQ Option Shuffling : No Is Question Mandatory : No Calculator : None Response Time : N.A Think Time : N.A Minimum Instruction Time : 0

Correct Marks : 5 Wrong Marks : 1

Question Key Details :

Key	Value
Comprehension	MCQ

Mean annual temperature (in°C) is negative in which of the following biomes.

1. Deserts
2. Tropical forests
3. Arctic and Alpine tundra
4. Grasslands

Options :

485584136921. 1
485584136922. 2
485584136923. 3
485584136924. 4

Question Number : 126 Question Id : 48558434231 Question Type : MCQ Option Shuffling : No Is Question Mandatory : No Calculator : None Response Time : N.A Think Time : N.A Minimum Instruction Time : 0

Correct Marks : 5 Wrong Marks : 1

Question Key Details :

Key	Value
Comprehension	MCQ

ஆண்டு சராசரி வெப்பம் (°C இல்) எந்த உயிரிகோன பகுதியில் எதிர்குறியாக இருக்கும்?

1. பாலைவனங்களில்
2. வெப்பமண்டல காடுகள்
3. ஆர்டிக் மற்றும் அல்மபன் பகுதிகளில்
4. புல்வெளி நிலங்களில்

Options :

485584136921. 1
485584136922. 2
485584136923. 3
485584136924. 4

Question Number : 127 Question Id : 48558434232 Question Type : MCQ Option Shuffling : No Is Question Mandatory : No Calculator : None Response Time : N.A Think Time : N.A Minimum Instruction Time : 0

Correct Marks : 5 Wrong Marks : 1

Question Key Details :

Key	Value
Comprehension	MCQ

The micro-organisms like bacteria and fungi are called:

1. Autotrophs
2. Omnivore
3. Herbivores
4. Decomposers

Options :

485584136925. 1
485584136926. 2
485584136927. 3
485584136928. 4

Question Number : 127 Question Id : 48558434232 Question Type : MCQ Option Shuffling : No Is Question Mandatory : No Calculator : None Response Time : N.A Think Time : N.A Minimum Instruction Time : 0

Correct Marks : 5 Wrong Marks : 1

Question Key Details :

Key	Value
Comprehension	MCQ

பாக்டீரியா மற்றும் பூஞ்சை போன்ற நுண்ணுயிரிகள் _____ என அழைக்கப்படுகின்றன.

1. தன்னூட்ட உயிரிகள்
2. சர்வ உண்ணிகள்
3. தாவர உண்ணிகள்
4. சிதைவாக்க உயிரிகள்

Options :

485584136925. 1
485584136926. 2
485584136927. 3
485584136928. 4

Question Number : 128 Question Id : 48558434233 Question Type : MCQ Option Shuffling : No Is Question Mandatory : No Calculator : None Response Time : N.A Think Time : N.A Minimum Instruction Time : 0

Correct Marks : 5 Wrong Marks : 1

Question Key Details :

Key	Value
Comprehension	MCQ

Match List I with List II

LIST I		LIST II	
A.	Cow	I.	Omnivore
B.	Humans	II.	Carnivore
C.	Lion	III.	Detritivore
D.	Earthworm	IV.	Herbivore

Choose the correct answer from the options given below:

1. A-II, B-I, C-III, D-IV
2. A-IV, B-I, C-II, D-III
3. A-I, B-III, C-II, D-IV
4. A-I, B-II, C-III, D-IV

Options :

485584136929. 1
485584136930. 2
485584136931. 3
485584136932. 4

Question Number : 128 Question Id : 48558434233 Question Type : MCQ Option Shuffling : No Is Question Mandatory : No Calculator : None Response Time : N.A Think Time : N.A Minimum Instruction Time : 0

Correct Marks : 5 Wrong Marks : 1

Question Key Details :

Key	Value
-----	-------

பட்டியல் I ஐ பட்டியல் II உடன் பொருத்துக

பட்டியல் I		பட்டியல் II	
A.	பசு	I.	சர்வ உண்ணிகள்
B.	மனிதர்கள்	II.	மாமிச உண்ணிகள்
C.	சிங்கம்	III.	மட்குண்ணிகள்
D.	மண்புழு	IV.	தாவர உண்ணிகள்

கீழே தரப்பட்டுள்ள வாய்ப்புகளில் இருந்து சரியான விடையைத் தேர்ந்தெடுக்கவும்:

1. A-II, B-I, C-III, D-IV
2. A-IV, B-I, C-II, D-III
3. A-I, B-III, C-II, D-IV
4. A-I, B-II, C-III, D-IV

Options :

485584136929. 1
485584136930. 2
485584136931. 3
485584136932. 4

Question Number : 129 Question Id : 48558434234 Question Type : MCQ Option Shuffling : No Is Question Mandatory : No Calculator : None Response Time : N.A Think Time : N.A Minimum Instruction Time : 0

Correct Marks : 5 Wrong Marks : 1

Question Key Details :

Key	Value
Comprehension	MCQ

Itai - Itai disease among the people of Japan was primarily caused due to consumption of.

- A. Cadmium contaminated rice
- B. Cadmium contaminated water
- C. Cadmium Contaminated Fish
- D. Contaminated Milk

1. A and B only
2. B and C only
3. C and D only
4. A and D only

Options :

485584136933. 1
485584136934. 2
485584136935. 3
485584136936. 4

Question Number : 129 Question Id : 48558434234 Question Type : MCQ Option Shuffling : No Is Question Mandatory : No Calculator : None Response Time : N.A Think Time : N.A Minimum Instruction Time : 0

Correct Marks : 5 Wrong Marks : 1

Question Key Details :

Key	Value
Comprehension	MCQ

இடாய்-இடாய் நோய் ஜப்பானியர்களிடம் அதிகமாய் ஏற்படுவதற்கு காரணம் அவர்கள் _____ உட்கொள்வதால்.

- A. காட்மியம் மாசு நிறைந்த அரிசி உணவு
- B. காட்மிய மாசு நிறைந்த நீர்
- C. காட்மிய மாசு கொண்ட மீன்
- D. மாசு நிறைந்த பால்

1. A மற்றும் B மட்டும்
2. B மற்றும் C மட்டும்
3. C மற்றும் D மட்டும்
4. A மற்றும் D மட்டும்

Options :

- 485584136933. 1
- 485584136934. 2
- 485584136935. 3
- 485584136936. 4

Question Number : 130 Question Id : 48558434235 Question Type : MCQ Option Shuffling : No Is Question Mandatory : No Calculator : None Response Time : N.A Think Time : N.A Minimum Instruction Time : 0

Correct Marks : 5 Wrong Marks : 1

Question Key Details :

Key	Value
Comprehension	MCQ

_____ is characterised by less prominent cheek bones and absence of fascial prognathism.

1. Causasoid
2. Negroid
3. Mongoloid
4. Australoid

Options :

- 485584136937. 1
- 485584136938. 2
- 485584136939. 3
- 485584136940. 4

Question Number : 130 Question Id : 48558434235 Question Type : MCQ Option Shuffling : No Is Question Mandatory : No Calculator : None Response Time : N.A Think Time : N.A Minimum Instruction Time : 0

Correct Marks : 5 Wrong Marks : 1

Question Key Details :

Key	Value
Comprehension	MCQ

குறைவாக வெளியில் தெரியும் தாடை எலும்புகள் மற்றும் முகத்தில் பிரக்னாசீசியம் இல்லாத இனம் எது?

1. காக்கசாய்டுகள்
2. நீக்ராய்டுகள்
3. மங்கோலாய்டு
4. ஆஸ்ட்ரலாய்டுகள்

Options :

485584136937. 1
485584136938. 2
485584136939. 3
485584136940. 4

Question Number : 131 Question Id : 48558434236 Question Type : MCQ Option Shuffling : No Is Question Mandatory : No Calculator : None Response Time : N.A Think Time : N.A Minimum Instruction Time : 0

Correct Marks : 5 Wrong Marks : 1

Question Key Details :

Key	Value
Comprehension	MCQ

A family which one sets up after one's marriage is called as.

1. Family of orientation
2. Family of origin
3. Family of procreation
4. Family of happiness

Options :

485584136941. 1
485584136942. 2
485584136943. 3
485584136944. 4

Question Number : 131 Question Id : 48558434236 Question Type : MCQ Option Shuffling : No Is Question Mandatory : No Calculator : None Response Time : N.A Think Time : N.A Minimum Instruction Time : 0

Correct Marks : 5 Wrong Marks : 1

Question Key Details :

Key	Value
Comprehension	MCQ

ஒருவர் திருமணம் நடைபெற்ற பிறகு உருவாக்கும் குடும்பம் _____ என அழைக்கப்படுகிறது.

1. நோக்குநிலை குடும்பம்
2. தோற்றநிலை குடும்பம்
3. திருமண வழி குடும்பம்
4. மகிழ்ச்சியான குடும்பம்

Options :

485584136941. 1
485584136942. 2
485584136943. 3
485584136944. 4

Question Number : 132 Question Id : 48558434237 Question Type : MCQ Option Shuffling : No Is Question Mandatory : No Calculator : None Response Time : N.A Think Time : N.A Minimum Instruction Time : 0

Correct Marks : 5 Wrong Marks : 1

Question Key Details :

Key	Value
Comprehension	MCQ

_____ is one form of unilineal descent, where males trace ancestry through males and females through females.

1. Double unilineal descent
2. Ambilineal descent
3. Parallel descent
4. Double descent

Options :

485584136945. 1
485584136946. 2
485584136947. 3
485584136948. 4

Question Number : 132 Question Id : 48558434237 Question Type : MCQ Option Shuffling : No Is Question Mandatory : No Calculator : None Response Time : N.A Think Time : N.A Minimum Instruction Time : 0

Correct Marks : 5 Wrong Marks : 1

Question Key Details :

Key	Value
Comprehension	MCQ

_____ என்பது யூலினியல் வம்சாவளியின் ஒரு வகை. அதில் ஆண் சந்ததியை ஆண்கள் வழியாகவும், பெண் வழி சந்ததியை பெண்கள் வழியாகவும் கண்டறிவர். அது _____

1. இரட்டை யூலினியல் வம்சாவளி
2. ஆம்பிலீனியல் வம்சாவளி
3. இணை வம்சாவளி
4. இரட்டை வம்சாவளி

Options :

485584136945. 1
485584136946. 2
485584136947. 3
485584136948. 4

Question Number : 133 Question Id : 48558434238 Question Type : MCQ Option Shuffling : No Is Question Mandatory : No Calculator : None Response Time : N.A Think Time : N.A Minimum Instruction Time : 0

Correct Marks : 5 Wrong Marks : 1

Question Key Details :

Key	Value
Comprehension	MCQ

The type of family found among Gonds and Baigas is called as:

1. Polyandrous family
2. Fraternal family
3. Non-Fraternal family
4. Polygynous family

Options :

485584136949. 1
485584136950. 2
485584136951. 3
485584136952. 4

Question Number : 133 Question Id : 48558434238 Question Type : MCQ Option Shuffling : No Is Question Mandatory : No Calculator : None Response Time : N.A Think Time : N.A Minimum Instruction Time : 0

Correct Marks : 5 Wrong Marks : 1

Question Key Details :

Key	Value
Comprehension	MCQ

கோண்ட் மற்றும் பைகாசிஸ் இனக் குழுவின்ரிடம் காணப்படும் குடும்ப வகை:

1. பாலிஆன்டரஸ் குடும்பம்
2. பிராட்டானல் குடும்பம்
3. பிராட்டானல் அல்லாத குடும்பம்
4. பாலிகைனஸ் குடும்பம்

Options :

485584136949. 1
485584136950. 2
485584136951. 3
485584136952. 4

Question Number : 134 Question Id : 48558434239 Question Type : MCQ Option Shuffling : No Is Question Mandatory : No Calculator : None Response Time : N.A Think Time : N.A Minimum Instruction Time : 0

Correct Marks : 5 Wrong Marks : 1

Question Key Details :

Key	Value
Comprehension	MCQ

Which of the following are not the features of family?

- A. It is an economic unit
- B. It is a secondary social group
- C. It is unlimited in size
- D. It is a socializing unit
- E. It is a social unit

Choose the correct answer from the options given below:

1. B and C only
2. C and D only
3. B and D only
4. D and E only

Options :

485584136953. 1
485584136954. 2
485584136955. 3
485584136956. 4

Question Number : 134 Question Id : 48558434239 Question Type : MCQ Option Shuffling : No Is Question Mandatory : No Calculator : None Response Time : N.A Think Time : N.A Minimum Instruction Time : 0

Correct Marks : 5 Wrong Marks : 1

Question Key Details :

Key	Value
Comprehension	MCQ

கீழே கொடுக்கப்பட்டுள்ளவற்றுள் எவை குடும்பத்தின் அம்சங்கள் அல்ல?

- A. இது ஒரு பொருளாதார அலகு
- B. இது இரு இரண்டாம் நிலை சமூகக் குழு
- C. இது அளவு வரையறையற்றது
- D. இது சமூகமயமாகும் அலகு
- E. இது ஒரு சமூக அலகு

கீழே தரப்பட்டுள்ள வாய்ப்புகளில் இருந்து சரியான விடையைத் தேர்ந்தெடுக்கவும்:

- 1. B மற்றும் C மட்டும்
- 2. C மற்றும் D மட்டும்
- 3. B மற்றும் D மட்டும்
- 4. D மற்றும் E மட்டும்

Options :

- 485584136953. 1
- 485584136954. 2
- 485584136955. 3
- 485584136956. 4

Question Number : 135 Question Id : 48558434240 Question Type : MCQ Option Shuffling : No Is Question Mandatory : No Calculator : None Response Time : N.A Think Time : N.A Minimum Instruction Time : 0

Correct Marks : 5 Wrong Marks : 1

Question Key Details :

Key	Value
Comprehension	MCQ

Match List I with List II

LIST I		LIST II	
A.	Matrilineal	I.	Agnatic
B.	Matrilocal	II.	Uxorilocal
C.	Patrilineal	III.	Virilocal
D.	Patrilocal	IV.	Uterine

Choose the correct answer from the options given below:

- 1. A-IV, B-III, C-II, D-I
- 2. A-I, B-II, C-III, D-IV
- 3. A-IV, B-II, C-I, D-III
- 4. A-I, B-IV, C-III, D-II

Options :

- 485584136957. 1
- 485584136958. 2
- 485584136959. 3
- 485584136960. 4

Question Number : 135 Question Id : 48558434240 Question Type : MCQ Option Shuffling : No Is Question Mandatory : No Calculator : None Response Time : N.A Think Time : N.A Minimum Instruction Time : 0
 Correct Marks : 5 Wrong Marks : 1
 Question Key Details :

Key	Value
Comprehension	MCQ

பட்டியல் I ஐ பட்டியல் II உடன் பொருத்துக

பட்டியல் I		பட்டியல் II	
A.	தாய்வழிச் சமூகம்	I.	அக்னாட்டிக்
B.	தாய்வழி வசிப்பிட சமூகம்	II.	யூகோஸ்ரி லோக்கல்
C.	தந்தை வழிச் சமூகம்	III.	வீரிலோக்கல்
D.	தந்தை வழி வசிப்பிடச் சமூகம்	IV.	யுட்டரின்

கீழே தரப்பட்டுள்ள வாய்ப்புகளில் இருந்து சரியான விடையைத் தேர்ந்தெடுக்கவும்:

1. A-IV, B-III, C-II, D-I
2. A-I, B-II, C-III, D-IV
3. A-IV, B-II, C-I, D-III
4. A-I, B-IV, C-III, D-II

Options :

485584136957. 1
485584136958. 2
485584136959. 3
485584136960. 4

Question Number : 136 Question Id : 48558434241 Question Type : MCQ Option Shuffling : No Is Question Mandatory : No Calculator : None Response Time : N.A Think Time : N.A Minimum Instruction Time : 0
 Correct Marks : 5 Wrong Marks : 1
 Question Key Details :

Key	Value
Comprehension	MCQ

Who is revered as the Father of Ecology in India?

1. Kailash Satyarthi
2. Prof. W.H Pearsall
3. K.K. Misra
4. Ramdeo Misra

Options :

485584136961. 1
485584136962. 2
485584136963. 3
485584136964. 4

Question Number : 136 Question Id : 48558434241 Question Type : MCQ Option Shuffling : No Is Question Mandatory : No Calculator : None Response Time : N.A Think Time : N.A Minimum Instruction Time : 0

Correct Marks : 5 Wrong Marks : 1

Question Key Details :

Key	Value
Comprehension	MCQ

இந்தியாவின் சூழலியலின் தந்தை என்று மதிப்பிற்குரியவராக கருதப்படுபவர் யார்?

1. கைலாஷ் சத்யார்த்தி
2. பேராசிரியர் W.H பியர்சால்
3. K.K. மிஸ்ரா
4. ராம்தேவ் மிஸ்ரா

Options :

485584136961. 1
485584136962. 2
485584136963. 3
485584136964. 4

Question Number : 137 Question Id : 48558434242 Question Type : MCQ Option Shuffling : No Is Question Mandatory : No Calculator : None Response Time : N.A Think Time : N.A Minimum Instruction Time : 0

Correct Marks : 5 Wrong Marks : 1

Question Key Details :

Key	Value
Comprehension	MCQ

The percentage of oxygen in the atmosphere is _____.

1. 78.09%
2. 20.94%
3. 0.03%
4. 0.93%

Options :

485584136965. 1
485584136966. 2
485584136967. 3
485584136968. 4

Question Number : 137 Question Id : 48558434242 Question Type : MCQ Option Shuffling : No Is Question Mandatory : No Calculator : None Response Time : N.A Think Time : N.A Minimum Instruction Time : 0

Correct Marks : 5 Wrong Marks : 1

Question Key Details :

Key	Value
-----	-------

வளிமண்டலத்தில் ஆக்சிஜன் எத்தனை சதவீதம் உள்ளது?

1. 78.09%
2. 20.94%
3. 0.03%
4. 0.93%

Options :

485584136965. 1
485584136966. 2
485584136967. 3
485584136968. 4

Question Number : 138 Question Id : 48558434243 Question Type : MCQ Option Shuffling : No Is Question Mandatory : No Calculator : None Response Time : N.A Think Time : N.A Minimum Instruction Time : 0

Correct Marks : 5 Wrong Marks : 1

Question Key Details :

Key	Value
Comprehension	MCQ

Which one of the following is an example of an aquatic ecosystem?

1. Forest ecosystem
2. Desert ecosystem
3. Pond ecosystem
4. Grassland ecosystem

Options :

485584136969. 1
485584136970. 2
485584136971. 3
485584136972. 4

Question Number : 138 Question Id : 48558434243 Question Type : MCQ Option Shuffling : No Is Question Mandatory : No Calculator : None Response Time : N.A Think Time : N.A Minimum Instruction Time : 0

Correct Marks : 5 Wrong Marks : 1

Question Key Details :

Key	Value
Comprehension	MCQ

கீழே கொடுக்கப்பட்டுள்ளவற்றுள் எது நீர்வாழ் சுற்றுச்சூழலுக்கு எடுத்துக்காட்டாக அமையும்?

1. காட்டு சூழலியல்
2. பாலைவனச் சூழலியல்
3. குளச் சூழலியல்
4. புல்வெளிச் சூழலியல்

Options :

485584136969. 1
485584136970. 2
485584136971. 3
485584136972. 4

Question Number : 139 Question Id : 48558434244 Question Type : MCQ Option Shuffling : No Is Question Mandatory : No Calculator : None Response Time : N.A Think Time : N.A Minimum Instruction Time : 0

Correct Marks : 5 Wrong Marks : 1

Question Key Details :

Key	Value
Comprehension	MCQ

Arrange the following in an order.

- A. Secondary consumer
- B. Detritus
- C. Primary consumer
- D. Primary producer
- E. Tertiary consumer

Choose the correct answer from the options given below:

1. D, A, B, C, E
2. B, C, A, D, E
3. A, E, C, D, B
4. D, C, A, E, B

Options :

485584136973. 1
485584136974. 2
485584136975. 3
485584136976. 4

Question Number : 139 Question Id : 48558434244 Question Type : MCQ Option Shuffling : No Is Question Mandatory : No Calculator : None Response Time : N.A Think Time : N.A Minimum Instruction Time : 0

Correct Marks : 5 Wrong Marks : 1

Question Key Details :

Key	Value
-----	-------

கீழ்க்கண்டவற்றை நிரல்படுத்துக.

- இரண்டாம் நிலை நுகர்வோர்
- டெட்ரிடஸ் (மடக்குண்ணிகள்)
- முதல்நிலை நுகர்வோர்
- முதல்நிலை உற்பத்தியாளர்
- மூன்றாம் நிலை நுகர்வோர்கள்

கீழே தரப்பட்டுள்ள வாய்ப்புகளில் இருந்து சரியான விடையைத் தேர்ந்தெடுக்கவும்:

- D, A, B, C, E
- B, C, A, D, E
- A, E, C, D, B
- D, C, A, E, B

Options :

485584136973. 1
485584136974. 2
485584136975. 3
485584136976. 4

Question Number : 140 Question Id : 48558434245 Question Type : MCQ Option Shuffling : No Is Question Mandatory : No Calculator : None Response Time : N.A Think Time : N.A Minimum Instruction Time : 0

Correct Marks : 5 Wrong Marks : 1

Question Key Details :

Key	Value
Comprehension	MCQ

The smallest microscopic organism that are found on the surface of water bodies like pond, lake etc are known as:

- Nektons
- Phytoplankton
- Floating plants
- Terrestrial plants

Options :

485584136977. 1
485584136978. 2
485584136979. 3
485584136980. 4

Question Number : 140 Question Id : 48558434245 Question Type : MCQ Option Shuffling : No Is Question Mandatory : No Calculator : None Response Time : N.A Think Time : N.A Minimum Instruction Time : 0

Correct Marks : 5 Wrong Marks : 1

Question Key Details :

Key	Value
Comprehension	MCQ

குளம், ஏரி போன்ற நீர்நிலைகளின் மேற்பகுதியில் காணப்படும் மிகச்சிறிய நுண்ணுயிரியன் பெயர்

1. நெக்டான்
2. பைட்டோபிளாங்டான்
3. மிதக்கும் தாவரங்கள்
4. நிலப்பரப்பு தாவரங்கள்

Options :

485584136977. 1
485584136978. 2
485584136979. 3
485584136980. 4

Sub-Section Number : 2
Sub-Section Id : 4855842531
Question Shuffling Allowed : No
Is Section Default? : null

Question Number : 141 Question Id : 48558434246 Question Type : MCQ Option Shuffling : No Is Question Mandatory : No Calculator : None Response Time : N.A Think Time : N.A Minimum Instruction Time : 0 Correct Marks : 5 Wrong Marks : 1

Question Key Details :

Key	Value
Comprehension	Comp1

The Mismi built their houses on raised platform. A traditional Mismi house is built with materials like bamboo and straw. The walls are constructed with bamboo and the roof is thatched. A typical Mismi house consists of a big hall like room which accommodates all the family members. The area near the entrance acts as a portico and is used to entertain guests. Below the platform the rooms are kept. It also sometimes houses the pigs which they rear. Adjacent to their house they construct cattlesheds and coops for rearing fowls. The fire place is called as meram and is considered as a sacred place.

The walls of the Mising's house is constructed using

1. Mud bricks
2. Bamboo
3. Plywood
4. Bricks with Cement

Options :

485584136981. 1
485584136982. 2
485584136983. 3

Question Number : 141 Question Id : 48558434246 Question Type : MCQ Option Shuffling : No Is Question Mandatory : No Calculator : None Response Time : N.A Think Time : N.A Minimum Instruction Time : 0

Correct Marks : 5 Wrong Marks : 1

Question Key Details :

Key	Value
Comprehension	Comp1

மிஸ்மி என்ற பழங்குடியினர் தங்கள் வீட்டை அடிமட்டத்தை உயர்த்தி கட்டுவர். மிஸ்மி பழங்குடியினர் வீடுகளைக் கட்டுவதற்கு மூங்கில் மற்றும் வைக்கோலைப் பயன்படுத்துவர். வீட்டின் சுவர்கள் மூங்கில் தட்டிகளாலும் மேற்கூரை ஓலைகளாலும் வேயப்பட்டிருக்கும். ஒரு மைசிங் பழங்குடியினரின் வீடு மிகப்பெரிய கூடத்தைப் போன்ற அறையைக் கொண்டிருக்கும். அதில் அனைத்து குடும்ப உறுப்பினர்களுக்கும் இடமளிக்கும் வகையில் இருக்கும். வீட்டின் வாயில் அருகில் உள்ள முகப்பு விருந்தினர்களை வரவேற்று அமரவைக்கும் இடமாக அமையும். உயரமான அடிமட்டத்திற்கு கீழே சில அறைகள் உண்டு. அவை சில நேரங்களில் வளர்ப்பு பன்றிகளை தங்க வைக்கும் இடமாகவும் அவற்றை வளர்க்கும் இடமாகவும் உள்ளது. அவர்களின் வீட்டின் அருகாமையில் அவர்கள் கால்நடைக் கொட்டகையைக் கட்டியுள்ளனர் மற்றும் கோழிகள் போன்றவற்றை அடைக்கும் கூண்டுகளையும் வைத்துள்ளனர். நெருப்பு எரியும் இடத்தினை மேரம் என்று குறிப்பிடுகின்றனர். அதனை மிகவும் புனிதமான இடமாகவும் கருதுகின்றனர்.

மிஸ்மி பழங்குடி இன மக்களின் வீட்டின் சுவர்கள் எதனால் கட்டப்பட்டிருக்கும்?

1. களிமண் செங்கல்
2. மூங்கில்
3. பிளைவுட்
4. செங்கல் மற்றும் சிமெண்ட்

Options :

485584136981. 1
485584136982. 2
485584136983. 3
485584136984. 4

Question Number : 142 Question Id : 48558434247 Question Type : MCQ Option Shuffling : No Is Question Mandatory : No Calculator : None Response Time : N.A Think Time : N.A Minimum Instruction Time : 0

Correct Marks : 5 Wrong Marks : 1

Question Key Details :

Key	Value
Comprehension	Comp1

The Mismi built their houses on raised platform. A traditional Mismi house is built with materials like bamboo and straw. The walls are constructed with bamboo and the roof is thatched. A typical Mismi house consists of a big hall like room which accommodates all the family members. The area near the entrance acts as a portico and is used to entertain guests. Below the platform the rooms are kept. It also sometimes houses the pigs which they rear. Adjacent to their house they construct cattlesheds and coops for rearing fowls. The fire place is called as meram and is considered as a sacred place.

A traditional Mising house is built with materials like.

1. Bamboo and tree leaves
2. Straw and tree leaves
3. Straw and Bamboo
4. Tree leaves and grass

Options :

485584136985. 1
485584136986. 2
485584136987. 3
485584136988. 4

Question Number : 142 Question Id : 48558434247 Question Type : MCQ Option Shuffling : No Is Question Mandatory : No Calculator : None Response Time : N.A Think Time : N.A Minimum Instruction Time : 0

Correct Marks : 5 Wrong Marks : 1

Question Key Details :

Key	Value
Comprehension	Comp1

மிஸ்மி என்ற பழங்குடியினர் தங்கள் வீட்டை அடிமட்டத்தை உயர்த்தி கட்டுவர். மிஸ்மி பழங்குடியினர் வீடுகளைக் கட்டுவதற்கு மூங்கில் மற்றும் வைக்கோலைப் பயன்படுத்துவர். வீட்டின் சுவர்கள் மூங்கில் தட்டிகளாலும் மேற்கூரை ஓலைகளாலும் வேயப்பட்டிருக்கும். ஒரு மைசிங் பழங்குடியினரின் வீடு மிகப்பெரிய கூடத்தைப் போன்ற அறையைக் கொண்டிருக்கும். அதில் அனைத்து குடும்ப உறுப்பினர்களுக்கும் இடமளிக்கும் வகையில் இருக்கும். வீட்டின் வாயில் அருகில் உள்ள முகப்பு விருந்தினர்களை வரவேற்று அமரவைக்கும் இடமாக அமையும். உயரமான அடிமட்டத்திற்கு கீழே சில அறைகள் உண்டு. அவை சில நேரங்களில் வளர்ப்பு பன்றிகளை தங்க வைக்கும் இடமாகவும் அவற்றை வளர்க்கும் இடமாகவும் உள்ளது. அவர்களின் வீட்டின் அருகாமையில் அவர்கள் கால்நடைக் கொட்டகையைக் கட்டியுள்ளனர் மற்றும் கோழிகள் போன்றவற்றை அடைக்கும் கூண்டுகளையும் வைத்துள்ளனர். நெருப்பு எரியும் இடத்தினை மேரம் என்று குறிப்பிடுகின்றனர். அதனை மிகவும் புனிதமான இடமாகவும் கருதுகின்றனர்.

மிசிங் இன மக்களின் பாரம்பரிய வீடுகளைக் கட்டுவதற்கு பயன்படுத்தப்படும் பொருட்கள் _____.

1. மூங்கில் மற்றும் மர இலைகள்
2. வைக்கோல் மற்றும் மர இலைகள்
3. வைக்கோல் மற்றும் மூங்கில்
4. மர இலைகள் மற்றும் புற்கள்

Options :

485584136985. 1
485584136986. 2
485584136987. 3
485584136988. 4

Question Number : 143 Question Id : 48558434248 Question Type : MCQ Option Shuffling : No Is Question Mandatory : No Calculator : None Response Time : N.A Think Time : N.A Minimum Instruction Time : 0

Correct Marks : 5 Wrong Marks : 1

Question Key Details :

Key	Value
Comprehension	Comp1

The Mismi built their houses on raised platform. A traditional Mismi house is built with materials like bamboo and straw. The walls are constructed with bamboo and the roof is thatched. A typical Mismi house consists of a big hall like room which accommodates all the family members. The area near the entrance acts as a portico and is used to entertain guests. Below the platform the rooms are kept. It also sometimes houses the pigs which they rear. Adjacent to their house they construct cattlesheds and coops for rearing fowls. The fire place is called as meram and is considered as a sacred place.

_____ is a place called as meram and is considered as a sacred place in Misings.

1. Big hall
2. Fire place
3. Temple outside village
4. Mosque

Options :

485584136989. 1
485584136990. 2
485584136991. 3
485584136992. 4

Question Number : 143 Question Id : 48558434248 Question Type : MCQ Option Shuffling : No Is Question Mandatory : No Calculator : None Response Time : N.A Think Time : N.A Minimum Instruction Time : 0

Correct Marks : 5 Wrong Marks : 1

Question Key Details :

Key	Value
Comprehension	Comp1

மிஸ்மி என்ற பழங்குடியினர் தங்கள் வீட்டை அடிமட்டத்தை உயர்த்தி கட்டுவர். மிஸ்மி பழங்குடியினர் வீடுகளைக் கட்டுவதற்கு மூங்கில் மற்றும் வைக்கோலைப் பயன்படுத்துவர். வீட்டின் சுவர்கள் மூங்கில் தட்டிகளாலும் மேற்கூரை ஓலைகளாலும் வேயப்பட்டிருக்கும். ஒரு மைசிங் பழங்குடியினரின் வீடு மிகப்பெரிய கூடத்தைப் போன்ற அறையைக் கொண்டிருக்கும். அதில் அனைத்து குடும்ப உறுப்பினர்களுக்கும் இடமளிக்கும் வகையில் இருக்கும். வீட்டின் வாயில் அருகில் உள்ள முகப்பு விருந்தினர்களை வரவேற்று அமரவைக்கும் இடமாக அமையும். உயரமான அடிமட்டத்திற்கு கீழே சில அறைகள் உண்டு. அவை சில நேரங்களில் வளர்ப்பு பன்றிகளை தங்க வைக்கும் இடமாகவும் அவற்றை வளர்க்கும் இடமாகவும் உள்ளது. அவர்களின் வீட்டின் அருகாமையில் அவர்கள் கால்நடைக் கொட்டகையைக் கட்டியுள்ளனர் மற்றும் கோழிகள் போன்றவற்றை அடைக்கும் கூண்டுகளையும் வைத்துள்ளனர். நெருப்பு எரியும் இடத்தினை மேரம் என்று குறிப்பிடுகின்றனர். அதனை மிகவும் புனிதமான இடமாகவும் கருதுகின்றனர்.

_____ என்ற இடத்தின் பெயர் மேரம் என்றும் அது மிஸிங்கின் புனிதமான இடமாக கருதப்படுகிறது.

1. பெரிய முகப்புக்கூடம்
2. நெருப்பு எரியும் இடம்
3. கிராமத்திற்கு வெளியே இருக்கும் கோயில்
4. மசூதி

Options :

485584136989. 1
485584136990. 2
485584136991. 3
485584136992. 4

Question Number : 144 Question Id : 48558434249 Question Type : MCQ Option Shuffling : No Is Question Mandatory : No Calculator : None Response Time : N.A Think Time : N.A Minimum Instruction Time : 0

Correct Marks : 5 Wrong Marks : 1

Question Key Details :

Key	Value
Comprehension	Comp1

The Mismi built their houses on raised platform. A traditional Mismi house is built with materials like bamboo and straw. The walls are constructed with bamboo and the roof is thatched. A typical Mismi house consists of a big hall like room which accommodates all the family members. The area near the entrance acts as a portico and is used to entertain guests. Below the platform the rooms are kept. It also sometimes houses the pigs which they rear. Adjacent to their house they construct cattlesheds and coops for reaching fowls. The fire place is called as meram and is considered as a sacred place.

A big hall in a typical Misings house accomodates.

1. All the relatives of family
2. All the village members
3. All the Saints and Seers of family
4. All the family members

Options :

485584136993. 1
485584136994. 2
485584136995. 3
485584136996. 4

Question Number : 144 Question Id : 48558434249 Question Type : MCQ Option Shuffling : No Is Question Mandatory : No Calculator : None Response Time : N.A Think Time : N.A Minimum Instruction Time : 0

Correct Marks : 5 Wrong Marks : 1

Question Key Details :

Key	Value
Comprehension	Comp1

மிஸ்மி என்ற பழங்குடியினர் தங்கள் வீட்டை அடிமட்டத்தை உயர்த்தி கட்டுவர். மிஸ்மி பழங்குடியினர் வீடுகளைக் கட்டுவதற்கு மூங்கில் மற்றும் வைக்கோலைப் பயன்படுத்துவர். வீட்டின் சுவர்கள் மூங்கில் தட்டிகளாலும் மேற்கூரை ஓலைகளாலும் வேயப்பட்டிருக்கும். ஒரு மைசிங் பழங்குடியினரின் வீடு மிகப்பெரிய கூடத்தைப் போன்ற அறையைக் கொண்டிருக்கும். அதில் அனைத்து குடும்ப உறுப்பினர்களுக்கும் இடமளிக்கும் வகையில் இருக்கும். வீட்டின் வாயில் அருகில் உள்ள முகப்பு விருந்தினர்களை வரவேற்று அமரவைக்கும் இடமாக அமையும். உயரமான அடிமட்டத்திற்கு கீழே சில அறைகள் உண்டு. அவை சில நேரங்களில் வளர்ப்பு பன்றிகளை தங்க வைக்கும் இடமாகவும் அவற்றை வளர்க்கும் இடமாகவும் உள்ளது. அவர்களின் வீட்டின் அருகாமையில் அவர்கள் கால்நடைக் கொட்டகையைக் கட்டியுள்ளனர் மற்றும் கோழிகள் போன்றவற்றை அடைக்கும் கூண்டுகளையும் வைத்துள்ளனர். நெருப்பு எரியும் இடத்தினை மேரம் என்று குறிப்பிடுகின்றனர். அதனை மிகவும் புனிதமான இடமாகவும் கருதுகின்றனர்.

மிசிங் வீடுகளின் மிகப்பெரிய கூடமானது யாருக்கு இடமளிக்கும்?

1. அனைத்து குடும்ப உறுப்பினர்கள்
2. அனைத்து கிராம உறுப்பினர்கள்
3. அனைத்து சாதுக்கள் மற்றும் தீர்க்கத்தரிசிகள்
4. அனைத்து குடும்ப உறுப்பினர்கள்

Options :

485584136993. 1
485584136994. 2

485584136995. 3

485584136996. 4

Question Number : 145 Question Id : 48558434250 Question Type : MCQ Option Shuffling : No Is Question Mandatory : No Calculator : None Response Time : N.A Think Time : N.A Minimum Instruction Time : 0

Correct Marks : 5 Wrong Marks : 1

Question Key Details :

Key	Value
Comprehension	Comp1

The Mismi built their houses on raised platform. A traditional Mismi house is built with materials like bamboo and straw. The walls are constructed with bamboo and the roof is thatched. A typical Mismi house consists of a big hall like room which accommodates all the family members. The area near the entrance acts as a portico and is used to entertain guests. Below the platform the rooms are kept. It also sometimes houses the pigs which they rear. Adjacent to their house they construct cattlesheds and coops for rearing fowls. The fire place is called as meram and is considered as a sacred place.

The area near the entrance of 'Mising house act as portico and is used to entertain.

1. Family members
2. Guests
3. Friends and villagers
4. Karta of family

Options :

485584136997. 1

485584136998. 2

485584136999. 3

485584137000. 4

Question Number : 145 Question Id : 48558434250 Question Type : MCQ Option Shuffling : No Is Question Mandatory : No Calculator : None Response Time : N.A Think Time : N.A Minimum Instruction Time : 0

Correct Marks : 5 Wrong Marks : 1

Question Key Details :

Key	Value
Comprehension	Comp1

மிஸ்மி என்ற பழங்குடியினர் தங்கள் வீட்டை அடிமட்டத்தை உயர்த்தி கட்டுவர். மிஸ்மி பழங்குடியினர் வீடுகளைக் கட்டுவதற்கு மூங்கில் மற்றும் வைக்கோலைப் பயன்படுத்துவர். வீட்டின் சுவர்கள் மூங்கில் தட்டிகளாலும் மேற்கூரை ஓலைகளாலும் வேயப்பட்டிருக்கும். ஒரு மைசிங் பழங்குடியினரின் வீடு மிகப்பெரிய கூடத்தைப் போன்ற அறையைக் கொண்டிருக்கும். அதில் அனைத்து குடும்ப உறுப்பினர்களுக்கும் இடமளிக்கும் வகையில் இருக்கும். வீட்டின் வாயில் அருகில் உள்ள முகப்பு விருந்தினர்களை வரவேற்று அமரவைக்கும் இடமாக அமையும். உயரமான அடிமட்டத்திற்கு கீழே சில அறைகள் உண்டு. அவை சில நேரங்களில் வளர்ப்பு பன்றிகளை தங்க வைக்கும் இடமாகவும் அவற்றை வளர்க்கும் இடமாகவும் உள்ளது. அவர்களின் வீட்டின் அருகாமையில் அவர்கள் கால்நடைக் கொட்டகையைக் கட்டியுள்ளனர் மற்றும் கோழிகள் போன்றவற்றை அடைக்கும் கூண்டுகளையும் வைத்துள்ளனர். நெருப்பு எரியும் இடத்தினை மேரம் என்று குறிப்பிடுகின்றனர். அதனை மிகவும் புனிதமான இடமாகவும் கருதுகின்றனர்.

மிஸிங் வீட்டின் நுழைவாயில் அருகே அமைந்திருக்கும் முகப்புக்கூடம் யாரை அமரவைக்க பயன்படுத்தப்படும்?

1. குடும்ப உறுப்பினர்கள்
2. விருந்தாளிகள்
3. நண்பர்கள் மற்றும் கிராமத்தினர்
4. குடும்பத்தின் கர்தா

Options :

485584136997. 1
 485584136998. 2
 485584136999. 3
 485584137000. 4

Sub-Section Number :

3

Sub-Section Id :

4855842532

Question Shuffling Allowed :

No

Is Section Default? :

null

Question Number : 146 Question Id : 48558434251 Question Type : MCQ Option Shuffling : No Is Question Mandatory : No Calculator : None Response Time : N.A Think Time : N.A Minimum Instruction Time : 0

Correct Marks : 5 Wrong Marks : 1

Question Key Details :

Key	Value
Comprehension	Comp2

The French established cocoa and coffee plantations in West Africa. The British set up large tea gardens in India and Sri Lanka, rubber plantation in Malaysia, and Sugarcane and banana plantations in West Indies. Spanish and Americans invested heavily in coconut and sugarcane plantations in the Philippines. The Dutch once had monopoly over Sugarcane plantations in Indonesia. Some Coffee Fazendar (large plantation) in Brazil are still managed by Europeans. Today, ownership of the majority of plantations have passed into the hands of the government or the nationals of the countries concerned.

The British set up large _____ in India and Sri Lanka.

1. Rubber plantation
2. Sugarcane plantation
3. Banana gardens
4. Tea gardens

Options :

485584137001. 1
485584137002. 2
485584137003. 3
485584137004. 4

Question Number : 146 Question Id : 48558434251 Question Type : MCQ Option Shuffling : No Is Question Mandatory : No Calculator : None Response Time : N.A Think Time : N.A Minimum Instruction Time : 0

Correct Marks : 5 Wrong Marks : 1

Question Key Details :

Key	Value
Comprehension	Comp2

பிரான்ஸ் நாடு கொக்கோ மற்றும் காபி பயிர்களை மேற்கு ஆப்பிரிக்க பகுதியில் அறிமுகப்படுத்தியது. இந்தியா மற்றும் ஸ்ரீலங்காவில் பிரிட்டிஷ்காரர்கள் தேயிலை தோட்டங்களை அமைத்தனர். அவர்கள் இரப்பர் சாகுபடியை மலேசியாவிலும், கரும்பு, வாழை உற்பத்தியை மேற்கிந்திய தீவுப் பகுதிகளிலும் ஊக்குவித்தனர். ஸ்பெயின் மற்றும் அமெரிக்கர்கள், பிலிப்பைன்சில் தேங்காய் மற்றும் கரும்பு சாகுபடிக்கு அதிக அளவில் முதலீடு செய்தனர். டச்சுக்காரர்கள் ஒரு காலத்தில் இந்தோனேசியாவில் கரும்பு உற்பத்தியில் உரிமையைப் பெற்று திகழ்ந்தனர். பிரேசிலில் காபியை பெருமளவில் உற்பத்தி செய்யும் ஐரோப்பியர்கள் இன்றும் ஆதிக்கம் செலுத்தி வருகின்றனர். தற்போது பெரும்பாலான பயிர் உற்பத்தியின் உரிமை அரசாங்கத்தின் கைகளுக்கு சென்றுவிட்டன, அல்லது அந்த நாட்டு மக்களுக்கு உரிமையாக உள்ளது.

பிரிட்டிஷ் மிகப்பெரிய _____ இந்தியா மற்றும் இலங்கையில் அமைந்துள்ளது.

1. இரப்பர் தோட்டம்
2. கரும்பு தோட்டம்
3. வாழைத் தோட்டங்கள்
4. தேயிலைத் தோட்டங்கள்

Options :

485584137001. 1
485584137002. 2
485584137003. 3
485584137004. 4

Question Number : 147 Question Id : 48558434252 Question Type : MCQ Option Shuffling : No Is Question Mandatory : No Calculator : None Response Time : N.A Think Time : N.A Minimum Instruction Time : 0

Correct Marks : 5 Wrong Marks : 1

Question Key Details :

Key	Value
Comprehension	Comp2

The French established cocoa and coffee plantations in West Africa. The British set up large tea gardens in India and Sri Lanka, rubber plantation in Malaysia, and Sugarcane and banana plantations in West Indies. Spanish and Americans invested heavily in coconut and sugarcane plantations in the Philippines. The Dutch once had monopoly over Sugarcane plantations in Indonesia. Some Coffee Fazendar (large plantation) in Brazil are still managed by Europeans. Today, ownership of the majority of plantations have passed into the hands of the government or the nationals of the countries concerned.

_____ once had monopoly over Sugarcane plantation in Indonesia.

1. French
2. Malaysia
3. Philippines
4. Dutch

Options :

485584137005. 1
485584137006. 2
485584137007. 3
485584137008. 4

Question Number : 147 Question Id : 48558434252 Question Type : MCQ Option Shuffling : No Is Question Mandatory : No Calculator : None Response Time : N.A Think Time : N.A Minimum Instruction Time : 0

Correct Marks : 5 Wrong Marks : 1

Question Key Details :

Key	Value
-----	-------

பிரான்ஸ் நாடு கொக்கோ மற்றும் காபி பயிர்களை மேற்கு ஆப்பிரிக்க பகுதியில் அறிமுகப்படுத்தியது. இந்தியா மற்றும் ஸ்ரீலங்காவில் பிரிட்டிஷ்காரர்கள் தேயிலை தோட்டங்களை அமைத்தனர். அவர்கள் இரப்பர் சாகுபடியை மலேசியாவிலும், கரும்பு, வாழை உற்பத்தியை மேற்கிந்திய தீவுப் பகுதிகளிலும் ஊக்குவித்தனர். ஸ்பெயின் மற்றும் அமெரிக்கர்கள், பிலிப்பைன்சில் தேங்காய் மற்றும் கரும்பு சாகுபடிக்கு அதிக அளவில் முதலீடு செய்தனர். டச்சுக்காரர்கள் ஒரு காலத்தில் இந்தோனேசியாவில் கரும்பு உற்பத்தியில் உரிமையைப் பெற்று திகழ்ந்தனர். பிரேசிலில் காபியை பெருமளவில் உற்பத்தி செய்யும் ஐரோப்பியர்கள் இன்றும் ஆதிக்கம் செலுத்தி வருகின்றனர். தற்போது பெரும்பாலான பயிர் உற்பத்தியின் உரிமை அரசாங்கத்தின் கைகளுக்கு சென்றுவிட்டன, அல்லது அந்த நாட்டு மக்களுக்கு உரிமையாக உள்ளது.

ஒருகாலத்தில் இந்தோனேசியாவில் கரும்பை சாகுபடி செய்வதில் ஏகபோக உரிமை பெற்ற நாடு_____

1. பிரான்ஸ்
2. மலேசியா
3. பிலிப்பைன்ஸ்
4. டச்சு

Options :

485584137005. 1
 485584137006. 2
 485584137007. 3
 485584137008. 4

Question Number : 148 Question Id : 48558434253 Question Type : MCQ Option Shuffling : No Is Question Mandatory : No Calculator : None Response Time : N.A Think Time : N.A Minimum Instruction Time : 0

Correct Marks : 5 Wrong Marks : 1

Question Key Details :

Key	Value
Comprehension	Comp2

The French established cocoa and coffee plantations in West Africa. The British set up large tea gardens in India and Sri Lanka, rubber plantation in Malaysia, and Sugarcane and banana plantations in West Indies. Spanish and Americans invested heavily in coconut and sugarcane plantations in the Philippines. The Dutch once had monopoly over Sugarcane plantations in Indonesia. Some Coffee Fazendar (large plantation) in Brazil are still managed by Europeans. Today, ownership of the majority of plantations have passed into the hands of the government or the nationals of the countries concerned.

The French established Cocoa and Coffee plantations in.

1. East Africa
2. West Africa
3. East America
4. South America

Options :

485584137009. 1
485584137010. 2
485584137011. 3
485584137012. 4

Question Number : 148 Question Id : 48558434253 Question Type : MCQ Option Shuffling : No Is Question Mandatory : No Calculator : None Response Time : N.A Think Time : N.A Minimum Instruction Time : 0

Correct Marks : 5 Wrong Marks : 1

Question Key Details :

Key	Value
Comprehension	Comp2

பிரான்ஸ் நாடு கொக்கோ மற்றும் காபி பயிர்களை மேற்கு ஆப்பிரிக்க பகுதியில் அறிமுகப்படுத்தியது. இந்தியா மற்றும் ஸீலங்காவில் பிரிட்டிஷ்காரர்கள் தேயிலை தோட்டங்களை அமைத்தனர். அவர்கள் இரப்பர் சாகுபடியை மலேசியாவிலும், கரும்பு, வாழை உற்பத்தியை மேற்கிந்திய தீவுப் பகுதிகளிலும் ஊக்குவித்தனர். ஸ்பெயின் மற்றும் அமெரிக்கர்கள், பிலிப்பைன்சில் தேங்காய் மற்றும் கரும்பு சாகுபடிக்கு அதிக அளவில் முதலீடு செய்தனர். டச்சுக்காரர்கள் ஒரு காலத்தில் இந்தோனேசியாவில் கரும்பு உற்பத்தியில் உரிமையைப் பெற்று திகழ்ந்தனர். பிரேசிலில் காபியை பெருமளவில் உற்பத்தி செய்யும் ஐரோப்பியர்கள் இன்றும் ஆதிக்கம் செலுத்தி வருகின்றனர். தற்போது பெரும்பாலான பயிர் உற்பத்தியின் உரிமை அரசாங்கத்தின் கைகளுக்கு சென்றுவிட்டன, அல்லது அந்த நாட்டு மக்களுக்கு உரிமையாக உள்ளது.

பிரான்ஸ் நாடு கொக்கோ மற்றும் காபி பயிரிடுதலை _____ ல் நிறுவியது.

1. கிழக்கு ஆப்பிரிக்காவில்
2. மேற்கு ஆப்பிரிக்காவில்
3. கிழக்கு அமெரிக்காவில்
4. தென் அமெரிக்காவில்

Options :

485584137009. 1
485584137010. 2
485584137011. 3
485584137012. 4

Question Number : 149 Question Id : 48558434254 Question Type : MCQ Option Shuffling : No Is Question Mandatory : No Calculator : None Response Time : N.A Think Time : N.A Minimum Instruction Time : 0
Correct Marks : 5 Wrong Marks : 1
Question Key Details :

Key	Value
Comprehension	Comp2

The French established cocoa and coffee plantations in West Africa. The British set up large tea gardens in India and Sri Lanka, rubber plantation in Malaysia, and Sugarcane and banana plantations in West Indies. Spanish and Americans invested heavily in coconut and sugarcane plantations in the Philippines. The Dutch once had monopoly over Sugarcane plantations in Indonesia. Some Coffee Fazendar (large plantation) in Brazil are still managed by Europeans. Today, ownership of the majority of plantations have passed into the hands of the government or the nationals of the countries concerned.

The British set up large sugarcane and banana plantations in.

1. India and Sri Lanka
2. Indonesia
3. West Indies
4. Spain

Options :

485584137013. 1
485584137014. 2
485584137015. 3
485584137016. 4

Question Number : 149 Question Id : 48558434254 Question Type : MCQ Option Shuffling : No Is Question Mandatory : No Calculator : None Response Time : N.A Think Time : N.A Minimum Instruction Time : 0
Correct Marks : 5 Wrong Marks : 1
Question Key Details :

Key	Value
Comprehension	Comp2

பிரான்ஸ் நாடு கொக்கோ மற்றும் காபி பயிர்களை மேற்கு ஆப்பிரிக்க பகுதியில் அறிமுகப்படுத்தியது. இந்தியா மற்றும் ஸ்ரீலங்காவில் பிரிட்டிஷ்காரர்கள் தேயிலை தோட்டங்களை அமைத்தனர். அவர்கள் இரப்பர் சாகுபடியை மலேசியாவிலும், கரும்பு, வாழை உற்பத்தியை மேற்கிந்திய தீவுப் பகுதிகளிலும் ஊக்குவித்தனர். ஸ்பெயின் மற்றும் அமெரிக்கர்கள், பிலிப்பைன்சில் தேங்காய் மற்றும் கரும்பு சாகுபடிக்கு அதிக அளவில் முதலீடு செய்தனர். டச்சுக்காரர்கள் ஒரு காலத்தில் இந்தோனேசியாவில் கரும்பு உற்பத்தியில் உரிமையைப் பெற்று திகழ்ந்தனர். பிரேசிலில் காபியை பெருமளவில் உற்பத்தி செய்யும் ஐரோப்பியர்கள் இன்றும் ஆதிக்கம் செலுத்தி வருகின்றனர். தற்போது பெரும்பாலான பயிர் உற்பத்தியின் உரிமை அரசாங்கத்தின் கைகளுக்கு சென்றுவிட்டன, அல்லது அந்த நாட்டு மக்களுக்கு உரிமையாக உள்ளது.

பிரிட்டிஷ் மிகப்பெரிய அளவில் கரும்பு மற்றும் வாழை சாகுபடியை _____ யில் அமைத்துள்ளது.

1. இந்தியா மற்றும் இலங்கை
2. இந்தோனேசியா
3. மேற்கிந்திய தீவுகள்
4. ஸ்பெயின்

Options :

485584137013. 1
485584137014. 2
485584137015. 3
485584137016. 4

Question Number : 150 Question Id : 48558434255 Question Type : MCQ Option Shuffling : No Is Question Mandatory : No Calculator : None Response Time : N.A Think Time : N.A Minimum Instruction Time : 0

Correct Marks : 5 Wrong Marks : 1

Question Key Details :

Key	Value
Comprehension	Comp2

The French established cocoa and coffee plantations in West Africa. The British set up large tea gardens in India and Sri Lanka, rubber plantation in Malaysia, and Sugarcane and banana plantations in West Indies. Spanish and Americans invested heavily in coconut and sugarcane plantations in the Philippines. The Dutch once had monopoly over Sugarcane plantations in Indonesia. Some Coffee Fazendar (large plantation) in Brazil are still managed by Europeans. Today, ownership of the majority of plantations have passed into the hands of the government or the nationals of the countries concerned.

Spanish and Americans invested heavily in _____ the Philippines.

- A. Banana plantation
- B. Rubber plantation
- C. Coconut plantation
- D. Sugarcane plantation
- E. Tea garden

Choose the correct answer from the options given below:

1. A and B only
2. B and D only
3. C and D only
4. D and E only

Options :

485584137017. 1
485584137018. 2

485584137019. 3

485584137020. 4

Question Number : 150 Question Id : 48558434255 Question Type : MCQ Option Shuffling : No Is Question Mandatory : No Calculator : None Response Time : N.A Think Time : N.A Minimum Instruction Time : 0

Correct Marks : 5 Wrong Marks : 1

Question Key Details :

Key	Value
Comprehension	Comp2

பிரான்ஸ் நாடு கொக்கோ மற்றும் காபி பயிர்களை மேற்கு ஆப்பிரிக்க பகுதியில் அறிமுகப்படுத்தியது. இந்தியா மற்றும் ஸ்ரீலங்காவில் பிரிட்டிஷ்காரர்கள் தேயிலை தோட்டங்களை அமைத்தனர். அவர்கள் இரப்பர் சாகுபடியை மலேசியாவிலும், கரும்பு, வாழை உற்பத்தியை மேற்கிந்திய தீவுப் பகுதிகளிலும் ஊக்குவித்தனர். ஸ்பெயின் மற்றும் அமெரிக்கர்கள், பிலிப்பைன்சில் தேங்காய் மற்றும் கரும்பு சாகுபடிக்கு அதிக அளவில் முதலீடு செய்தனர். டச்சுக்காரர்கள் ஒரு காலத்தில் இந்தோனேசியாவில் கரும்பு உற்பத்தியில் உரிமையைப் பெற்று திகழ்ந்தனர். பிரேசிலில் காபியை பெருமளவில் உற்பத்தி செய்யும் ஐரோப்பியர்கள் இன்றும் ஆதிக்கம் செலுத்தி வருகின்றனர். தற்போது பெரும்பாலான பயிர் உற்பத்தியின் உரிமை அரசாங்கத்தின் கைகளுக்கு சென்றுவிட்டன, அல்லது அந்த நாட்டு மக்களுக்கு உரிமையாக உள்ளது.

ஸ்பேனிஸ் அரசு மற்றும் அமெரிக்கர்கள் பிலிப்பைன்ஸ் அதிக அளவில் _____ ல் முதலீடு செய்தனர்.

- A. வாழை சாகுபடி
- B. இரப்பர் சாகுபடி
- C. தேங்காய் சாகுபடி
- D. கரும்பு சாகுபடி
- E. தேயிலை சாகுபடி

கீழே தரப்பட்டுள்ள வாய்ப்புகளில் இருந்து சரியான விடையைத் தேர்ந்தெடுக்கவும்:

1. A மற்றும் B மட்டும்
2. B மற்றும் D மட்டும்
3. C மற்றும் D மட்டும்
4. D மற்றும் E மட்டும்

Options :

485584137017. 1

485584137018. 2

485584137019. 3

485584137020. 4

Group Number : 8
Group Id : 485584775
Group Maximum Duration : 45
Group Minimum Duration : 45
Show Attended Group? : No
Edit Attended Group? : No
Break time : 0
Group Marks : 200
Is this Group for Examiner? : No
Examiner permission : Cant View
Show Progress Bar? : No

Engineering Graphics

Section Id : 485584893
Section Number : 1
Section type : Online
Mandatory or Optional : Mandatory
Number of Questions : 50
Number of Questions to be attempted : 40
Section Marks : 200
Enable Mark as Answered Mark for Review and Clear Response : Yes
Maximum Instruction Time : 0
Sub-Section Number : 1
Sub-Section Id : 4855842533
Question Shuffling Allowed : Yes
Is Section Default? : null

Question Number : 151 Question Id : 48558434606 Question Type : MCQ Option Shuffling : No Is Question Mandatory : No Calculator : None Response Time : N.A Think Time : N.A Minimum Instruction Time : 0

Correct Marks : 5 Wrong Marks : 1

Question Key Details :

Key	Value
Comprehension	MCQ

The view that gives inside details of an object is _____.

1. top view
2. front view
3. detailed view
4. sectional view

Options :

485584138421. 1
485584138422. 2
485584138423. 3
485584138424. 4

Question Number : 151 Question Id : 48558434606 Question Type : MCQ Option Shuffling : No Is Question Mandatory : No Calculator : None Response Time : N.A Think Time : N.A Minimum Instruction Time : 0

Correct Marks : 5 Wrong Marks : 1

Question Key Details :

Key	Value
Comprehension	MCQ

ஒரு பொருளின் உள் விவரங்களை தரவல்ல தோற்றப்படம் என்பது _____

1. உச்சநோக்கு
2. முன்பக்க நோக்கு
3. விவரித்த நோக்கு
4. பகுதியிட்டு நோக்கு

Options :

485584138421. 1
485584138422. 2
485584138423. 3
485584138424. 4

Question Number : 152 Question Id : 48558434607 Question Type : MCQ Option Shuffling : No Is Question Mandatory : No Calculator : None Response Time : N.A Think Time : N.A Minimum Instruction Time : 0

Correct Marks : 5 Wrong Marks : 1

Question Key Details :

Key	Value
Comprehension	MCQ

In Perspective projection, object appears to converge at a point, called _____.

1. enlarged point
2. vanishing point
3. dimensional point
4. horizontal plane

Options :

485584138425. 1
485584138426. 2
485584138427. 3
485584138428. 4

Question Number : 152 Question Id : 48558434607 Question Type : MCQ Option Shuffling : No Is Question Mandatory : No Calculator : None Response Time : N.A Think Time : N.A Minimum Instruction Time : 0

Correct Marks : 5 Wrong Marks : 1

Question Key Details :

Key	Value
Comprehension	MCQ

இயல் உருதோற்ற நோக்கில், பொருள் ஒரு புள்ளியில் குவிவது போல் தோன்றுகிறது. இப்புள்ளி _____ என அழைக்கப்படுகிறது.

1. விரிவடைந்துள்ள புள்ளி
2. மறைந்திடும் புள்ளி
3. பரிமானப் புள்ளி
4. கிடைமட்ட புள்ளி

Options :

485584138425. 1
485584138426. 2
485584138427. 3
485584138428. 4

Question Number : 153 Question Id : 48558434608 Question Type : MCQ Option Shuffling : No Is Question Mandatory : No Calculator : None Response Time : N.A Think Time : N.A Minimum Instruction Time : 0

Correct Marks : 5 Wrong Marks : 1

Question Key Details :

Key	Value
Comprehension	MCQ

A solid having two bases and rectangular faces is _____.

1. Pyramid
2. Sphere
3. Prism
4. Cylinder

Options :

485584138429. 1
485584138430. 2
485584138431. 3
485584138432. 4

Question Number : 153 Question Id : 48558434608 Question Type : MCQ Option Shuffling : No Is Question Mandatory : No Calculator : None Response Time : N.A Think Time : N.A Minimum Instruction Time : 0

Correct Marks : 5 Wrong Marks : 1

Question Key Details :

Key	Value
Comprehension	MCQ

இரு அடித்தளங்களையும் செவ்வக முகங்களையும் உடைய திண்மம் ஒன்று_____

1. கூம்பகம்
2. கோளம்
3. முப்பட்டம்
4. உருளை

Options :

485584138429. 1
485584138430. 2
485584138431. 3
485584138432. 4

Question Number : 154 Question Id : 48558434609 Question Type : MCQ Option Shuffling : No Is Question Mandatory : No Calculator : None Response Time : N.A Think Time : N.A Minimum Instruction Time : 0

Correct Marks : 5 Wrong Marks : 1

Question Key Details :

Key	Value
Comprehension	MCQ

The isometric projection of an object is _____ view projection.

1. double
2. single
3. multiple
4. triple

Options :

485584138433. 1
485584138434. 2
485584138435. 3
485584138436. 4

Question Number : 154 Question Id : 48558434609 Question Type : MCQ Option Shuffling : No Is Question Mandatory : No Calculator : None Response Time : N.A Think Time : N.A Minimum Instruction Time : 0

Correct Marks : 5 Wrong Marks : 1

Question Key Details :

Key	Value
Comprehension	MCQ

ஒரு பொருளது சமஅளவு வீழல் என்பது _____ நோக்கு எரிவாகும்

1. இரட்டை
2. ஒற்றை
3. பலதரப்பட்ட
4. மும்மை

Options :

485584138433. 1
485584138434. 2
485584138435. 3
485584138436. 4

Question Number : 155 Question Id : 48558434610 Question Type : MCQ Option Shuffling : No Is Question Mandatory : No Calculator : None Response Time : N.A Think Time : N.A Minimum Instruction Time : 0

Correct Marks : 5 Wrong Marks : 1

Question Key Details :

Key	Value
Comprehension	MCQ

The isometric scale is used to obtain the _____ of the edges of any object to draw its isometric projection.

1. foreshortened length
2. enlarged length
3. true length
4. double length

Options :

485584138437. 1
485584138438. 2
485584138439. 3
485584138440. 4

Question Number : 155 Question Id : 48558434610 Question Type : MCQ Option Shuffling : No Is Question Mandatory : No Calculator : None Response Time : N.A Think Time : N.A Minimum Instruction Time : 0

Correct Marks : 5 Wrong Marks : 1

Question Key Details :

Key	Value
Comprehension	MCQ

எந்தவொரு பொருள்து சமஅளவு வீழலை வரைய, சமஅளவு அளவுகோல் அதன் _____ அது பரிமாணங்களைப் பெற பயன்படுத்துகிறது

1. முன்சுருக்க நீளம்
2. விரிவடைந்த நீளம்
3. உண்மை நீளம்
4. முழு-அளவு நீளம்

Options :

485584138437. 1
 485584138438. 2
 485584138439. 3
 485584138440. 4

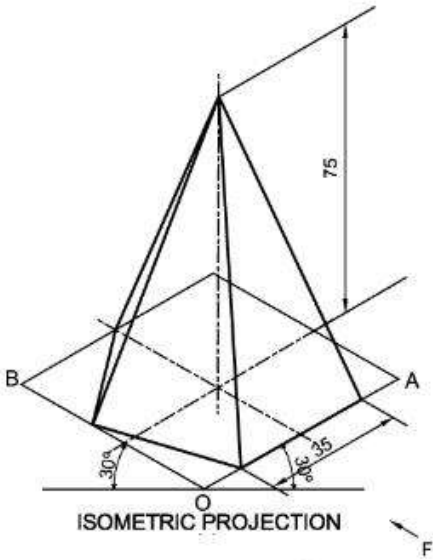
Question Number : 156 Question Id : 48558434611 Question Type : MCQ Option Shuffling : No Is Question Mandatory : No Calculator : None Response Time : N.A Think Time : N.A Minimum Instruction Time : 0

Correct Marks : 5 Wrong Marks : 1

Question Key Details :

Key	Value
Comprehension	MCQ

Choose the **correct** option as per the given figure:



1. A hexagonal prism is resting on H.P. on its base.
2. A pentagonal prism is resting on H.P. on its base.
3. A pentagonal pyramid is resting on H.P. on its apex.
4. A pentagonal pyramid is resting on H.P. on its base.

Options :

485584138441. 1
 485584138442. 2

485584138443. 3

485584138444. 4

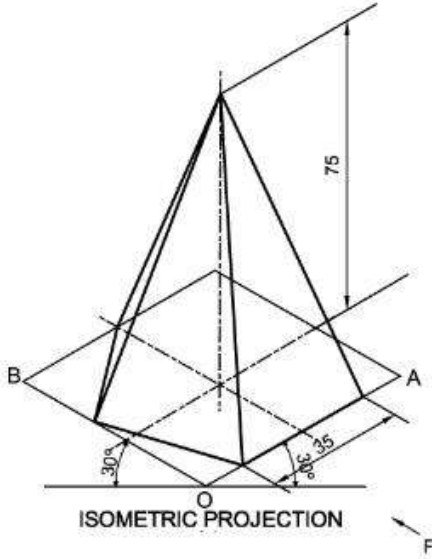
Question Number : 156 Question Id : 48558434611 Question Type : MCQ Option Shuffling : No Is Question Mandatory : No Calculator : None Response Time : N.A Think Time : N.A Minimum Instruction Time : 0

Correct Marks : 5 Wrong Marks : 1

Question Key Details :

Key	Value
Comprehension	MCQ

கொடுக்கப்பட்ட படத்தின்படி சரியான கூற்றை தேர்ந்தெடுக்கவும்



1. ஒரு அறுங்கோண முப்பட்டகம் அதன் அடித்தளம் மீது HP மீது ஓய்வு நிலையில் உள்ளது.
2. ஒரு ஐங்கோண முப்பட்டகம் அதன் அடித்தளம் மீது HP மீது ஓய்வு நிலையில் உள்ளது.
3. ஒரு ஐங்கோண கூம்பகம் அதன் உச்சிமுனை மீது HP மீது ஓய்வு நிலையில் உள்ளது.
4. ஒரு ஐங்கோண கூம்பகம் அதன் அடித்தளம் மீது HP மீது ஓய்வு நிலையில் உள்ளது.

Options :

485584138441. 1

485584138442. 2

485584138443. 3

485584138444. 4

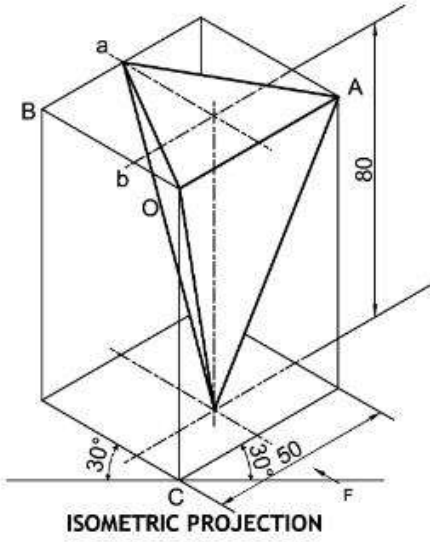
Question Number : 157 Question Id : 48558434612 Question Type : MCQ Option Shuffling : No Is Question Mandatory : No Calculator : None Response Time : N.A Think Time : N.A Minimum Instruction Time : 0

Correct Marks : 5 Wrong Marks : 1

Question Key Details :

Key	Value
Comprehension	MCQ

கொடுக்கப்பட்ட படத்தின்படி சரியான கூற்றை தேர்ந்தெடுக்கவும்



1. அதன் ஒரு அடித்தளம்பக்கம் V.Pக்கு செங்குத்தாக உள்ளது
2. அதன் ஒரு அடித்தளம்பக்கம் V.Pக்கு இணையாகவும்,நோக்குபவரிலிருந்து விலகியும் உள்ளது
3. அதன் ஒரு அடித்தளம்பக்கம் V.Pக்கு இணையாகவும்,நோக்குபவருக்கு அருகிலும் உள்ளது
4. அதன் ஒரு அடித்தளம்பக்கம் H.P. க்கு செங்குத்தாக உள்ளது

Options :

485584138445. 1
485584138446. 2
485584138447. 3
485584138448. 4

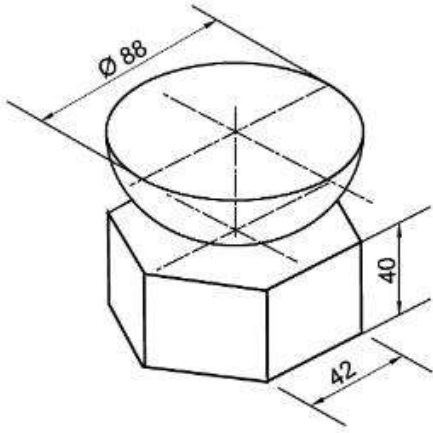
Question Number : 158 Question Id : 48558434613 Question Type : MCQ Option Shuffling : No Is Question Mandatory : No Calculator : None Response Time : N.A Think Time : N.A Minimum Instruction Time : 0

Correct Marks : 5 Wrong Marks : 1

Question Key Details :

Key	Value
Comprehension	MCQ

Choose the **correct** option as per the given figure:



1. A hemisphere is resting on a hexagonal pyramid.
2. A hemisphere is resting on a hexagonal prism.
3. A sphere is resting on a pentagonal pyramid.
4. A sphere is resting on a hexagonal prism.

Options :

- 485584138449. 1
- 485584138450. 2
- 485584138451. 3
- 485584138452. 4

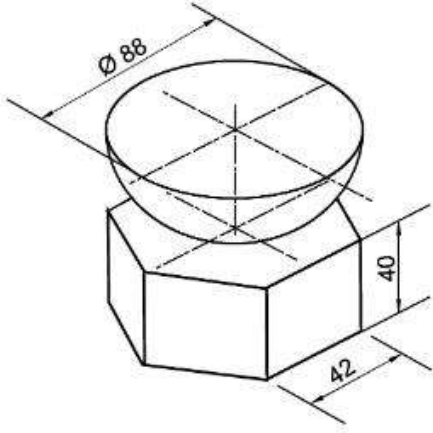
Question Number : 158 Question Id : 48558434613 Question Type : MCQ Option Shuffling : No Is Question Mandatory : No Calculator : None Response Time : N.A Think Time : N.A Minimum Instruction Time : 0

Correct Marks : 5 Wrong Marks : 1

Question Key Details :

Key	Value
Comprehension	MCQ

கொடுக்கப்பட்ட படத்தின்படி சரியான கூற்றை தேர்ந்தெடுக்கவும்



1. ஒரு அரைக்கோளம் ஓர் அறுங்கோண கூம்பகத்தின் மீது ஓய்வு நிலையில் உள்ளது
2. ஒரு அரைக்கோளம் ஓர் அறுங்கோண முப்பட்டகத்தின் மீது ஓய்வு நிலையில் உள்ளது
3. ஒரு கோளம் ஓர் ஐங்கோண கூம்பகத்தின் மீது ஓய்வு நிலையில் உள்ளது
4. ஒரு கோளம் ஓர் ஐங்கோண முப்பட்டகத்தின் மீது ஓய்வு நிலையில் உள்ளது

Options :

485584138449. 1
485584138450. 2
485584138451. 3
485584138452. 4

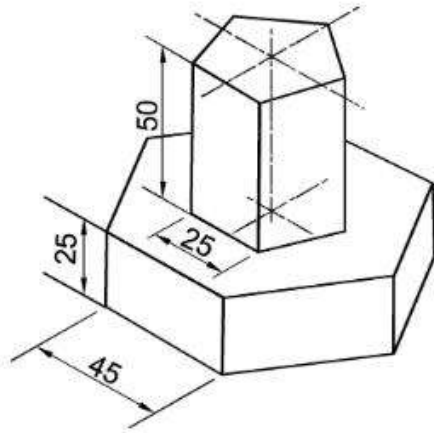
Question Number : 159 Question Id : 48558434614 Question Type : MCQ Option Shuffling : No Is Question Mandatory : No Calculator : None Response Time : N.A Think Time : N.A Minimum Instruction Time : 0

Correct Marks : 5 Wrong Marks : 1

Question Key Details :

Key	Value
Comprehension	MCQ

How many rectangular faces are there in the given figure:



1. 9
2. 10
3. 11
4. 12

Options :

- 485584138453. 1
- 485584138454. 2
- 485584138455. 3
- 485584138456. 4

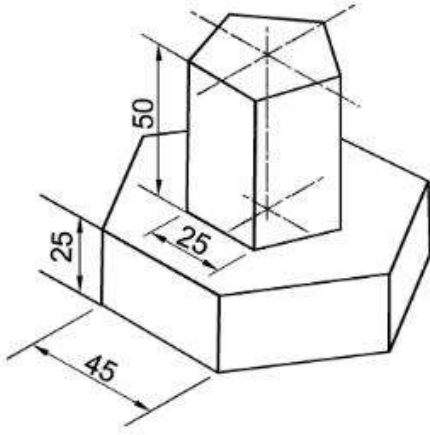
Question Number : 159 Question Id : 48558434614 Question Type : MCQ Option Shuffling : No Is Question Mandatory : No Calculator : None Response Time : N.A Think Time : N.A Minimum Instruction Time : 0

Correct Marks : 5 Wrong Marks : 1

Question Key Details :

Key	Value
Comprehension	MCQ

கொடுக்கப்பட்ட வரைபடத்தில் எத்தனை செவ்வக முகங்கள் உள்ளன?



1. 9
2. 10
3. 11
4. 12

Options :

485584138453. 1
485584138454. 2
485584138455. 3
485584138456. 4

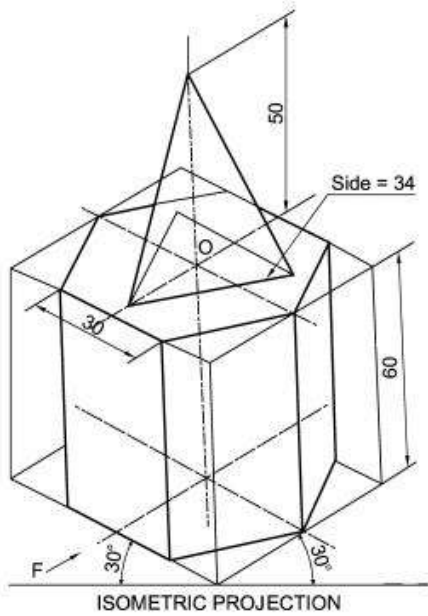
Question Number : 160 Question Id : 48558434615 Question Type : MCQ Option Shuffling : No Is Question Mandatory : No Calculator : None Response Time : N.A Think Time : N.A Minimum Instruction Time : 0

Correct Marks : 5 Wrong Marks : 1

Question Key Details :

Key	Value
Comprehension	MCQ

Choose the **correct** option as per the given figure:



1. Axial height of isometric projection of combination of solids is 88 mm.
2. Axial height of isometric projection of combination of solids is 110 mm.
3. Axial height of isometric projection of combination of solids is 60 mm.
4. Axial height of isometric projection of combination of solids is 50 mm.

Options :

- 485584138457. 1
- 485584138458. 2
- 485584138459. 3
- 485584138460. 4

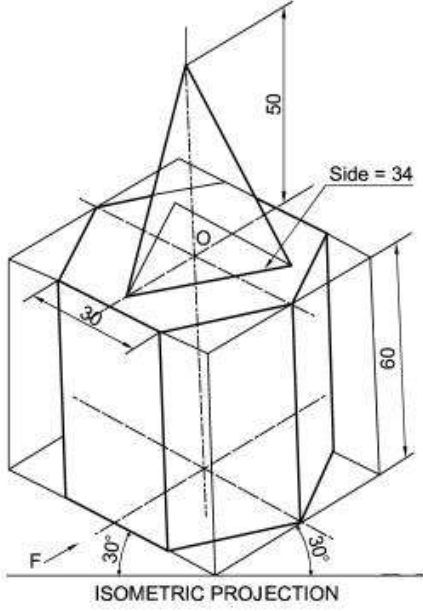
Question Number : 160 Question Id : 48558434615 Question Type : MCQ Option Shuffling : No Is Question Mandatory : No Calculator : None Response Time : N.A Think Time : N.A Minimum Instruction Time : 0

Correct Marks : 5 Wrong Marks : 1

Question Key Details :

Key	Value
Comprehension	MCQ

கொடுக்கப்பட்ட படத்தில் உள்ள திண்மங்களின் தொகுபிற்க்கான சமஅளவு எறிவைக் காண்க. மேலும் சரியான விடையைத் தேர்ந்தெடுக்க:



1. திண்மங்களின் சமஅளவு எறிவு தொகுப்பினது சமஅளவு எரிவிற்கான ஆச்சுதிசை உயரம், 88 mm ஆகும்
2. திண்மங்களின் சமஅளவு எறிவு தொகுப்பினது சமஅளவு எரிவிற்கான ஆச்சுதிசை உயரம், 110 mm ஆகும்
3. திண்மங்களின் சமஅளவு எறிவு தொகுப்பினது சமஅளவு எரிவிற்கான ஆச்சுதிசை உயரம், 60 mm ஆகும்
4. திண்மங்களின் சமஅளவு எறிவு தொகுப்பினது சமஅளவு எரிவிற்கான ஆச்சுதிசை உயரம், 50 mm ஆகும்

Options :

485584138457. 1
 485584138458. 2
 485584138459. 3
 485584138460. 4

Question Number : 161 Question Id : 48558434616 Question Type : MCQ Option Shuffling : No Is Question Mandatory : No Calculator : None Response Time : N.A Think Time : N.A Minimum Instruction Time : 0

Correct Marks : 5 Wrong Marks : 1

Question Key Details :

Key	Value
Comprehension	MCQ

In a Screw thread, theoretical depth (D) of the thread will be equal to _____.

1. (Major Diameter) – (Minor Diameter)
2. $\frac{\{(Major\ Diameter) - (Minor\ Diameter)\}}{2}$
3. $2 \times \{(Major\ Diameter) - (Minor\ Diameter)\}$
4. (Major Diameter) + (Minor Diameter)

Options :

485584138461. 1
485584138462. 2
485584138463. 3
485584138464. 4

Question Number : 161 Question Id : 48558434616 Question Type : MCQ Option Shuffling : No Is Question Mandatory : No Calculator : None Response Time : N.A Think Time : N.A Minimum Instruction Time : 0

Correct Marks : 5 Wrong Marks : 1

Question Key Details :

Key	Value
Comprehension	MCQ

ஒரு திருகு புரியில், புரியின் கருத்தியல் ரீதியான ஆழம் சமமாக இருப்பது _____.

1. (பெரிய விட்டம்) – (சிறிய விட்டம்)
2. $\frac{\{(பெரிய\ விட்டம்) - (சிறிய\ விட்டம்)\}}{2}$
3. $2 \times \{(பெரிய\ விட்டம்) - (சிறிய\ விட்டம்)\}$
4. (பெரிய விட்டம்) + (சிறிய விட்டம்)

Options :

485584138461. 1
485584138462. 2
485584138463. 3
485584138464. 4

Question Number : 162 Question Id : 48558434617 Question Type : MCQ Option Shuffling : No Is Question Mandatory : No Calculator : None Response Time : N.A Think Time : N.A Minimum Instruction Time : 0

Correct Marks : 5 Wrong Marks : 1

Question Key Details :

Key	Value
Comprehension	MCQ

If pitch is 'P' in B.S.W. thread, then the value of 'd' (d= Actual Depth) will be _____.

1. 0.96P
2. 0.64P
3. 0.51P
4. 0.86P

Options :

485584138465. 1
485584138466. 2
485584138467. 3
485584138468. 4

Question Number : 162 Question Id : 48558434617 Question Type : MCQ Option Shuffling : No Is Question Mandatory : No Calculator : None Response Time : N.A Think Time : N.A Minimum Instruction Time : 0

Correct Marks : 5 Wrong Marks : 1

Question Key Details :

Key	Value
Comprehension	MCQ

BSW புரியில், புரி நீளம்('P) 50MM எனில், 'd' எனும் மதிப்பு (d=அமைந்திடு ஆழம்)_____.

1. 0.96P
2. 0.64P
3. 0.51P
4. 0.86P

Options :

485584138465. 1
485584138466. 2
485584138467. 3
485584138468. 4

Question Number : 163 Question Id : 48558434618 Question Type : MCQ Option Shuffling : No Is Question Mandatory : No Calculator : None Response Time : N.A Think Time : N.A Minimum Instruction Time : 0

Correct Marks : 5 Wrong Marks : 1

Question Key Details :

Key	Value
Comprehension	MCQ

Thread profile on an electric bulb:

1. Metric internal thread
2. Square thread
3. B.S.W. thread
4. Knuckle thread

Options :

485584138469. 1
485584138470. 2
485584138471. 3
485584138472. 4

Question Number : 163 Question Id : 48558434618 Question Type : MCQ Option Shuffling : No Is Question Mandatory : No Calculator : None Response Time : N.A Think Time : N.A Minimum Instruction Time : 0

Correct Marks : 5 Wrong Marks : 1

Question Key Details :

Key	Value
Comprehension	MCQ

ஒரு மின்குமிழ் (பல்பு) மீதான புரி உருவப்படம் என்பது_____

1. அளவீட்டு அகப்புரி
2. சதுரவடிவப் புரி
3. BSW புரி
4. நக்குல் புரி

Options :

485584138469. 1
485584138470. 2
485584138471. 3
485584138472. 4

Question Number : 164 Question Id : 48558434619 Question Type : MCQ Option Shuffling : No Is Question Mandatory : No Calculator : None Response Time : N.A Think Time : N.A Minimum Instruction Time : 0

Correct Marks : 5 Wrong Marks : 1

Question Key Details :

Key	Value
Comprehension	MCQ

The total length of a bolt does not include its _____.

1. shank length
2. threaded length
3. head thickness / head height
4. non-threaded length

Options :

485584138473. 1
485584138474. 2
485584138475. 3
485584138476. 4

Question Number : 164 Question Id : 48558434619 Question Type : MCQ Option Shuffling : No Is Question Mandatory : No Calculator : None Response Time : N.A Think Time : N.A Minimum Instruction Time : 0

Correct Marks : 5 Wrong Marks : 1

Question Key Details :

Key	Value
Comprehension	MCQ

ஒரு மறையாணியின் மொத்த நீளம் அதன் _____ கொண்டு இருக்காது

1. தண்டு நீளம்
2. புரியிட்ட நீளம்
3. தலை தடிமன்/தலை உயரம்
4. புரியிடப்படாத நீளம்

Options :

485584138473. 1
485584138474. 2
485584138475. 3
485584138476. 4

Question Number : 165 Question Id : 48558434620 Question Type : MCQ Option Shuffling : No Is Question Mandatory : No Calculator : None Response Time : N.A Think Time : N.A Minimum Instruction Time : 0

Correct Marks : 5 Wrong Marks : 1

Question Key Details :

Key	Value
Comprehension	MCQ

_____ is the diameter of the chamfered circle of a square nut used for bolt of size M30.

1. 40 mm
2. 60 mm
3. 30 mm
4. 45 mm

Options :

485584138477. 1
485584138478. 2
485584138479. 3
485584138480. 4

Question Number : 165 Question Id : 48558434620 Question Type : MCQ Option Shuffling : No Is Question Mandatory : No Calculator : None Response Time : N.A Think Time : N.A Minimum Instruction Time : 0

Correct Marks : 5 Wrong Marks : 1

Question Key Details :

Key	Value
Comprehension	MCQ

M30 உருவளவு கொண்ட மறையாணிக்காக பயன்படுத்தப்படும் ஒரு சதுரவடிவம் மறைவில்லையது மழுங்கிய வட்டத்தின் விட்டம் _____

1. 40
2. 60
3. 30
4. 45

Options :

485584138477. 1
485584138478. 2
485584138479. 3
485584138480. 4

Question Number : 166 Question Id : 48558434621 Question Type : MCQ Option Shuffling : No Is Question Mandatory : No Calculator : None Response Time : N.A Think Time : N.A Minimum Instruction Time : 0

Correct Marks : 5 Wrong Marks : 1

Question Key Details :

Key	Value
Comprehension	MCQ

The value of outer diameter of a plain washer for a bolt of nominal diameter 24 mm is _____.

1. 25 mm
2. 3 mm
3. 51 mm
4. 24 mm

Options :

485584138481. 1
485584138482. 2
485584138483. 3
485584138484. 4

Question Number : 166 Question Id : 48558434621 Question Type : MCQ Option Shuffling : No Is Question Mandatory : No Calculator : None Response Time : N.A Think Time : N.A Minimum Instruction Time : 0

Correct Marks : 5 Wrong Marks : 1

Question Key Details :

Key	Value
Comprehension	MCQ

24 mm விட்டம் கொண்ட ஒரு மறையாணிக்கானதொரு தட்டையான எளிய அடைவளையத்தின் வெளிப்புற விட்ட மதிப்பு _____.

1. 25 mm
2. 3 mm
3. 51 mm
4. 24 mm

Options :

485584138481. 1
485584138482. 2
485584138483. 3
485584138484. 4

Question Number : 167 Question Id : 48558434622 Question Type : MCQ Option Shuffling : No Is Question Mandatory : No Calculator : None Response Time : N.A Think Time : N.A Minimum Instruction Time : 0

Correct Marks : 5 Wrong Marks : 1

Question Key Details :

Key	Value
Comprehension	MCQ

In conventional representation of V-thread, the side view shows a complete thick circle representing the _____.

1. Crest
2. Root
3. Lead
4. Pitch

Options :

485584138485. 1
485584138486. 2
485584138487. 3
485584138488. 4

Question Number : 167 Question Id : 48558434622 Question Type : MCQ Option Shuffling : No Is Question Mandatory : No Calculator : None Response Time : N.A Think Time : N.A Minimum Instruction Time : 0

Correct Marks : 5 Wrong Marks : 1

Question Key Details :

Key	Value
Comprehension	MCQ

V-புரியின் மரபுசார் குறிப்பில், பக்கவாட்டு நோக்குதல் _____ ஐக் குறிக்கும் ஒரு தடிமனான வட்டமாகக் காட்டப்படும்

1. முகடு
2. வேர்
3. வழிகாட்டி
4. புரிநீளம்

Options :

485584138485. 1
485584138486. 2
485584138487. 3
485584138488. 4

Question Number : 168 Question Id : 48558434623 Question Type : MCQ Option Shuffling : No Is Question Mandatory : No Calculator : None Response Time : N.A Think Time : N.A Minimum Instruction Time : 0

Correct Marks : 5 Wrong Marks : 1

Question Key Details :

Key	Value
Comprehension	MCQ

Length of metal end for a Square neck stud of diameter 'd=30 mm' can be _____.

1. 15 mm
2. 25 mm
3. 45 mm
4. 60 mm

Options :

485584138489. 1
485584138490. 2
485584138491. 3
485584138492. 4

Question Number : 168 Question Id : 48558434623 Question Type : MCQ Option Shuffling : No Is Question Mandatory : No Calculator : None Response Time : N.A Think Time : N.A Minimum Instruction Time : 0

Correct Marks : 5 Wrong Marks : 1

Question Key Details :

Key	Value
Comprehension	MCQ

'd'=30mm எனும் விட்டம் கொண்ட சதுர கழுத்து உடைய நிலையாணி ஒன்றின் உலோகமுனையின் நீளம் இருக்கக்கூடியது _____.

1. 15 mm
2. 25 mm
3. 45 mm
4. 60 mm

Options :

485584138489. 1
485584138490. 2
485584138491. 3
485584138492. 4

Question Number : 169 Question Id : 48558434624 Question Type : MCQ Option Shuffling : No Is Question Mandatory : No Calculator : None Response Time : N.A Think Time : N.A Minimum Instruction Time : 0

Correct Marks : 5 Wrong Marks : 1

Question Key Details :

Key	Value
Comprehension	MCQ

The thickness of collar in a Collar stud of diameter 30 mm is :

1. 30 mm
2. 45 mm
3. 12 mm
4. 20 mm

Options :

485584138493. 1
485584138494. 2
485584138495. 3
485584138496. 4

Question Number : 169 Question Id : 48558434624 Question Type : MCQ Option Shuffling : No Is Question Mandatory : No Calculator : None Response Time : N.A Think Time : N.A Minimum Instruction Time : 0

Correct Marks : 5 Wrong Marks : 1

Question Key Details :

Key	Value
Comprehension	MCQ

30 mm விட்டம் உடைய ஒரு கழுத்துப்பட்டை நிலையாணியில் கழுத்துப்பட்டையின் தடிமன்:

1. 30 mm
2. 45 mm
3. 12 mm
4. 20 mm

Options :

485584138493. 1
485584138494. 2
485584138495. 3
485584138496. 4

Question Number : 170 Question Id : 48558434625 Question Type : MCQ Option Shuffling : No Is Question Mandatory : No Calculator : None Response Time : N.A Think Time : N.A Minimum Instruction Time : 0

Correct Marks : 5 Wrong Marks : 1

Question Key Details :

Key	Value
Comprehension	MCQ

Rivets are not used in _____.

1. a pressure cooker
2. belts
3. a frying pan
4. a wooden stool

Options :

485584138497. 1
485584138498. 2
485584138499. 3
485584138500. 4

Question Number : 170 Question Id : 48558434625 Question Type : MCQ Option Shuffling : No Is Question Mandatory : No Calculator : None Response Time : N.A Think Time : N.A Minimum Instruction Time : 0

Correct Marks : 5 Wrong Marks : 1

Question Key Details :

Key	Value
Comprehension	MCQ

தறையாணிகள்(ரிவெட்கள்) _____யில் பயன்படுத்தவில்லை

1. ஒரு அழுத்தம் சார் குக்கரில்
2. வார்கள்
3. ஒரு பெரியத்தட்டை சட்டியில்
4. ஒரு மர நாற்காலியில்

Options :

485584138497. 1
485584138498. 2
485584138499. 3
485584138500. 4

Question Number : 171 Question Id : 48558434626 Question Type : MCQ Option Shuffling : No Is Question Mandatory : No Calculator : None Response Time : N.A Think Time : N.A Minimum Instruction Time : 0

Correct Marks : 5 Wrong Marks : 1

Question Key Details :

Key	Value
Comprehension	MCQ

In the top view of a vertical Pan Head Rivet of diameter 20mm, _____ is the diameter of the outer circle.

1. 20 mm
2. 32 mm
3. 40 mm
4. 25 mm

Options :

485584138501. 1
485584138502. 2
485584138503. 3
485584138504. 4

Question Number : 171 Question Id : 48558434626 Question Type : MCQ Option Shuffling : No Is Question Mandatory : No Calculator : None Response Time : N.A Think Time : N.A Minimum Instruction Time : 0

Correct Marks : 5 Wrong Marks : 1

Question Key Details :

Key	Value
Comprehension	MCQ

20mm விட்டம் உடைய ஒரு செங்குத்து தட்டு தலை ரீவெட்டின் உச்ச நோக்குதலில், _____ அதன் வெளிப்புற வட்டத்தின் விட்டம் ஆகும்.

1. 20 mm
2. 32 mm
3. 40 mm
4. 25 mm

Options :

485584138501. 1
485584138502. 2
485584138503. 3
485584138504. 4

Question Number : 172 Question Id : 48558434627 Question Type : MCQ Option Shuffling : No Is Question Mandatory : No Calculator : None Response Time : N.A Think Time : N.A Minimum Instruction Time : 0

Correct Marks : 5 Wrong Marks : 1

Question Key Details :

Key	Value
Comprehension	MCQ

This assembly has an oil hole:

1. Sleeve and cotter joint assembly
2. Turnbuckle joint assembly
3. Bush bearing assembly
4. Open bearing assembly

Options :

485584138505. 1
485584138506. 2
485584138507. 3
485584138508. 4

Question Number : 172 Question Id : 48558434627 Question Type : MCQ Option Shuffling : No Is Question Mandatory : No Calculator : None Response Time : N.A Think Time : N.A Minimum Instruction Time : 0

Correct Marks : 5 Wrong Marks : 1

Question Key Details :

Key	Value
Comprehension	MCQ

ஒரு தொகுப்பு ஓர் எண்ணெய் துளை பெற்றுள்ளது:

1. கையுறை மற்றும் ஆப்பு இணைப்பு தொகுப்பு
2. குரும்பிருக்கி இணைப்பு தொகுப்பு
3. உழல்வாய் தாங்கு தொகுப்பு
4. திறந்த தாங்கு தொகுப்பு

Options :

485584138505. 1
485584138506. 2
485584138507. 3
485584138508. 4

Question Number : 173 Question Id : 48558434628 Question Type : MCQ Option Shuffling : No Is Question Mandatory : No Calculator : None Response Time : N.A Think Time : N.A Minimum Instruction Time : 0

Correct Marks : 5 Wrong Marks : 1

Question Key Details :

Key	Value
Comprehension	MCQ

Open Bearing is used for _____.

1. vertical shafts
2. shafts rotating at high speed
3. shafts rotating at medium speed
4. zigzag shafts

Options :

485584138509. 1
485584138510. 2
485584138511. 3
485584138512. 4

Question Number : 173 Question Id : 48558434628 Question Type : MCQ Option Shuffling : No Is Question Mandatory : No Calculator : None Response Time : N.A Think Time : N.A Minimum Instruction Time : 0

Correct Marks : 5 Wrong Marks : 1

Question Key Details :

Key	Value
Comprehension	MCQ

_____க்கு திறந்த தாங்கி பயன்படுத்தப்படுகிறது

1. செங்குத்து சுழல் அச்ச தண்டுகள்
2. அதிக வேகத்தோடு சுழலும் சுழல் அச்சத்தண்டுகள்
3. மிதமான வேகத்தோடு சுழலும் சுழல் அச்சத்தண்டுகள்
4. குறுக்கு நெருக்கான சுழலும் சுழல் அச்சத்தண்டுகள்

Options :

485584138509. 1
485584138510. 2
485584138511. 3
485584138512. 4

Question Number : 174 Question Id : 48558434629 Question Type : MCQ Option Shuffling : No Is Question Mandatory : No Calculator : None Response Time : N.A Think Time : N.A Minimum Instruction Time : 0

Correct Marks : 5 Wrong Marks : 1

Question Key Details :

Key	Value
Comprehension	MCQ

This bearing / joint is useful for higher loads at medium speed:

1. Bush Bearing
2. Open Bearing
3. Gib and Cotter joint
4. Sleeve and Cotter joint

Options :

485584138513. 1
485584138514. 2
485584138515. 3
485584138516. 4

Question Number : 174 Question Id : 48558434629 Question Type : MCQ Option Shuffling : No Is Question Mandatory : No Calculator : None Response Time : N.A Think Time : N.A Minimum Instruction Time : 0

Correct Marks : 5 Wrong Marks : 1

Question Key Details :

Key	Value
Comprehension	MCQ

மிதமான வேகத்தில் அதிகமான பளுக்களுக்கு இந்த தாங்கு/இணைப்பு பயன்படும்.

1. உழல்வாய் தாங்கு
2. திறந்த தாங்கு
3. ஆப்பு இறுக்கி மற்றும் ஆப்பு ஆண் இணைப்பு
4. மேல்கையுறை மற்றும் ஆப்பு ஆணி இணைப்பு

Options :

485584138513. 1
485584138514. 2
485584138515. 3
485584138516. 4

Question Number : 175 Question Id : 48558434630 Question Type : MCQ Option Shuffling : No Is Question Mandatory : No Calculator : None Response Time : N.A Think Time : N.A Minimum Instruction Time : 0

Correct Marks : 5 Wrong Marks : 1

Question Key Details :

Key	Value
Comprehension	MCQ

In a Sleeve and Cotter joint, each rod has _____ rectangular hole(s) for the insertion of cotter at right angle to the axis.

1. One
2. Two
3. Three
4. Five

Options :

485584138517. 1
485584138518. 2
485584138519. 3
485584138520. 4

Question Number : 175 Question Id : 48558434630 Question Type : MCQ Option Shuffling : No Is Question Mandatory : No Calculator : None Response Time : N.A Think Time : N.A Minimum Instruction Time : 0

Correct Marks : 5 Wrong Marks : 1

Question Key Details :

Key	Value
Comprehension	MCQ

கையுறை மற்றும் ஆப்புஆனி இணைப்பில், ஆப்பை அச்சுக்கு செங்குத்தாக செருகுவதற்கென _____ செவ்வக துளை(கள்) ஒவ்வொரு தண்டும் பெற்று இருக்கும்.

1. ஒரு
2. இரண்டு
3. மூன்று
4. ஐந்து

Options :

485584138517. 1
485584138518. 2
485584138519. 3
485584138520. 4

Question Number : 176 Question Id : 48558434631 Question Type : MCQ Option Shuffling : No Is Question Mandatory : No Calculator : None Response Time : N.A Think Time : N.A Minimum Instruction Time : 0

Correct Marks : 5 Wrong Marks : 1

Question Key Details :

Key	Value
Comprehension	MCQ

A machine part which prevents slacking of the joint besides holding the jaws of the strap from opening wide when the cotter is inserted;

1. Cotter
2. Rod
3. Gib
4. Sleeve

Options :

485584138521. 1
485584138522. 2
485584138523. 3
485584138524. 4

Question Number : 176 Question Id : 48558434631 Question Type : MCQ Option Shuffling : No Is Question Mandatory : No Calculator : None Response Time : N.A Think Time : N.A Minimum Instruction Time : 0

Correct Marks : 5 Wrong Marks : 1

Question Key Details :

Key	Value
Comprehension	MCQ

ஆப்புஆணி இடைச்செருகும் போது, விரிவாக திறந்துவிடாமல் பட்டையின் தாடைகளை இறுக்கி பிடிப்பது மட்டுமல்லாது, இணைப்பு தளராமல் தடுக்கும் ஒரு எந்திர பாகம்.

1. ஆப்பு ஆணி
2. தண்டு
3. ஆப்பு இறுக்கி
4. மேல் கையுறை

Options :

485584138521. 1
485584138522. 2
485584138523. 3
485584138524. 4

Question Number : 177 Question Id : 48558434632 Question Type : MCQ Option Shuffling : No Is Question Mandatory : No Calculator : None Response Time : N.A Think Time : N.A Minimum Instruction Time : 0

Correct Marks : 5 Wrong Marks : 1

Question Key Details :

Key	Value
Comprehension	MCQ

In Flange Pipe Joint, if it is mentioned SQ Headed Bolt MS-4 OFF. What is the meaning of 4 OFF ?

1. Four number of bolt.
2. Four types of bolt.
3. Four mm length of bolt.
4. Four mm thickness of bolt.

Options :

485584138525. 1
485584138526. 2
485584138527. 3
485584138528. 4

Question Number : 177 Question Id : 48558434632 Question Type : MCQ Option Shuffling : No Is Question Mandatory : No Calculator : None Response Time : N.A Think Time : N.A Minimum Instruction Time : 0

Correct Marks : 5 Wrong Marks : 1

Question Key Details :

Key	Value
Comprehension	MCQ

சடைக்குழாய் இணைப்பில், SQ ஹெட்டட் போல்ட் MS-4 OFF என்று குறிப்பிடப்பட்டிருந்தால், 4 OFF என்பதன் பொருள் யாது?

1. போல்ட் எண்ணிக்கை நான்கு ஆகும்
2. நான்கு வகையான போல்ட்கள் ஆகும்
3. போல்ட் நான்கு mm நீளம் கொண்டிருக்கும்
4. போல்ட் நான்கு mm தடிமன் கொண்டிருக்கும்

Options :

485584138525. 1
485584138526. 2
485584138527. 3
485584138528. 4

Question Number : 178 Question Id : 48558434633 Question Type : MCQ Option Shuffling : No Is Question Mandatory : No Calculator : None Response Time : N.A Think Time : N.A Minimum Instruction Time : 0

Correct Marks : 5 Wrong Marks : 1

Question Key Details :

Key	Value
Comprehension	MCQ

In Turnbuckle joint, the two rods have _____ screw threads.

1. Opposite hand external
2. Opposite hand internal
3. Both external RH
4. Both internal LH

Options :

485584138529. 1
485584138530. 2
485584138531. 3
485584138532. 4

Question Number : 178 Question Id : 48558434633 Question Type : MCQ Option Shuffling : No Is Question Mandatory : No Calculator : None Response Time : N.A Think Time : N.A Minimum Instruction Time : 0

Correct Marks : 5 Wrong Marks : 1

Question Key Details :

Key	Value
Comprehension	MCQ

திரும்பிருக்கி இணைப்பில், இரு தண்டுகளும் _____ திருகு புரிகளாகும்.

1. எதிர் கை புற
2. எதிர் கை அக
3. இரண்டும் புற RH
4. இரண்டும் அக LH

Options :

485584138529. 1
485584138530. 2
485584138531. 3
485584138532. 4

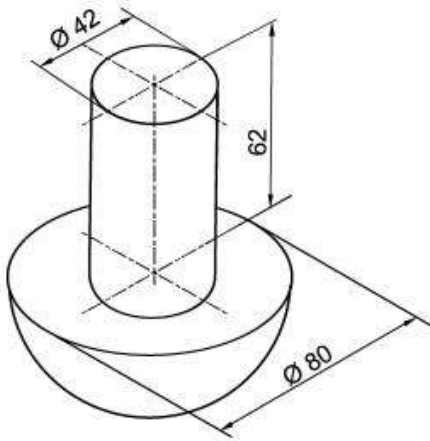
Question Number : 179 Question Id : 48558434634 Question Type : MCQ Option Shuffling : No Is Question Mandatory : No Calculator : None Response Time : N.A Think Time : N.A Minimum Instruction Time : 0

Correct Marks : 5 Wrong Marks : 1

Question Key Details :

Key	Value
Comprehension	MCQ

Identify the **correct** statements for the given figure:



- A. Axes of both solids are perpendicular to H.P.
- B. Axis of cylinder is perpendicular to V.P. and axis of hemisphere is perpendicular to H.P.
- C. A vertical cylinder is resting on the circular face of a hemisphere.
- D. A hemisphere is resting on a cylinder.
- E. A horizontal cylinder is resting on a hemisphere.

Choose the **correct** answer from the options given below:

- 1. B and E only
- 2. A and D only
- 3. D and E only
- 4. A and C only

Options :

- 485584138533. 1
- 485584138534. 2
- 485584138535. 3
- 485584138536. 4

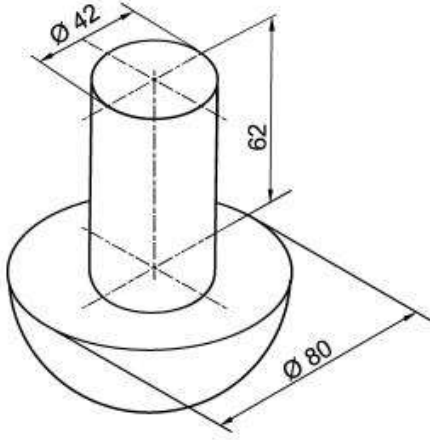
Question Number : 179 Question Id : 48558434634 Question Type : MCQ Option Shuffling : No Is Question Mandatory : No Calculator : None Response Time : N.A Think Time : N.A Minimum Instruction Time : 0

Correct Marks : 5 Wrong Marks : 1

Question Key Details :

Key	Value
Comprehension	MCQ

கொடுக்கப்பட்ட படத்திலிருந்து சரியான கூற்றுக்களைக் கண்டறிக:



- A. இரு திண்மங்களின் அச்சுகளும் HPக்கு செங்குத்தாக அமையும்
- B. உருளையின் அச்சு VP க்கு செங்குத்தவும், அரைக்கோளத்தின் அச்சு, HPக்கு செங்குத்தாகவும் அமையும்.
- C. ஒரு செங்குத்து உருளை ஒரு அரைக்கோளத்தின் வட்டமுகம் மீது ஓய்வு நிலையில் உள்ளது.
- D. ஓர் அரைக்கோளம் ஓர் உருளை மீது ஓய்வு நிலையில் உள்ளது
- E. ஒரு கிடைமட்ட உருளை ஓர் அரைக்கோளம் மீது ஓய்வு நிலையில் உள்ளது

கீழே தரப்பட்டுள்ள வாய்ப்புகளில் இருந்து சரியான விடையைத் தேர்ந்தெடுக்கவும்:

- 1. B மற்றும் E மட்டுமே
- 2. A மற்றும் D மட்டுமே
- 3. D மற்றும் E மட்டுமே
- 4. A மற்றும் C மட்டுமே

Options :

- 485584138533. 1
- 485584138534. 2
- 485584138535. 3
- 485584138536. 4

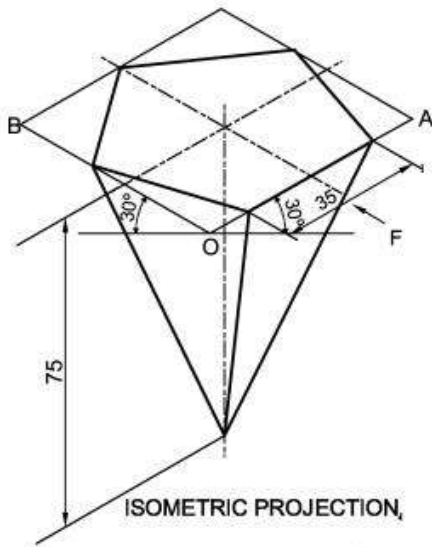
Question Number : 180 Question Id : 48558434635 Question Type : MCQ Option Shuffling : No Is Question Mandatory : No Calculator : None Response Time : N.A Think Time : N.A Minimum Instruction Time : 0

Correct Marks : 5 Wrong Marks : 1

Question Key Details :

Key	Value
Comprehension	MCQ

Identify the **correct** statements for the given figure:



- A. A pentagonal prism is resting on H.P. on its base.
- B. Axis of pyramid is perpendicular to V.P.
- C. Axis of pyramid is perpendicular to H.P.
- D. A pentagonal pyramid is resting on H.P. on its apex.
- E. Length of its axis is 35 mm.

Choose the **correct** answer from the options given below:

- 1. A and B only
- 2. C and D only
- 3. B and E only
- 4. A and C only

Options :

- 485584138537. 1
- 485584138538. 2
- 485584138539. 3
- 485584138540. 4

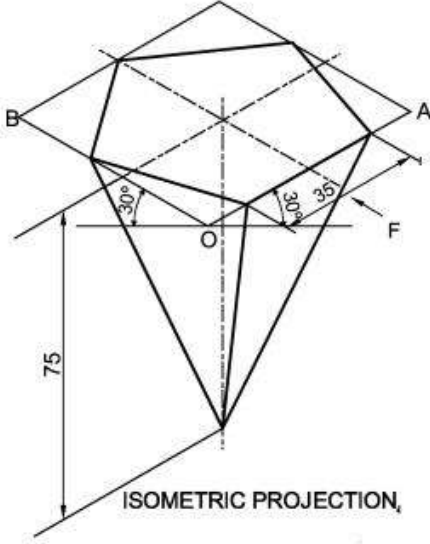
Question Number : 180 Question Id : 48558434635 Question Type : MCQ Option Shuffling : No Is Question Mandatory : No Calculator : None Response Time : N.A Think Time : N.A Minimum Instruction Time : 0

Correct Marks : 5 Wrong Marks : 1

Question Key Details :

Key	Value
Comprehension	MCQ

கொடுக்கப்பட்ட வரைபடதிற்க்கான சரியான பதிலைத் தேர்ந்தெடுக்கவும்



- A. ஒரு ஐங்கோண முப்பட்டகம் அதன் அடித்தளம் கொண்டு HP மீது ஓய்வு நிலையில் உள்ளது
- B. கூம்பகத்தின் அச்சு VP-க்கு செங்குத்தாக உள்ளது
- C. கூம்பகத்தின் அச்சு HP-க்கு செங்குத்தாக உள்ளது
- D. ஒரு அறுங்கோண கூம்பகம், அதன் உச்சிமுனை கொண்டு HP மீது ஓய்வு நிலையில் உள்ளது.
- E. அச்சின் நீளம் 35 mm

கீழே தரப்பட்டுள்ள வாய்ப்புகளில் இருந்து சரியான விடையைத் தேர்ந்தெடுக்கவும்:

1. A மற்றும் B மட்டுமே
2. C மற்றும் D மட்டுமே
3. B மற்றும் E மட்டுமே
4. A மற்றும் C மட்டுமே

Options :

- 485584138537. 1
- 485584138538. 2
- 485584138539. 3
- 485584138540. 4

Question Number : 181 Question Id : 48558434636 Question Type : MCQ Option Shuffling : No Is Question Mandatory : No Calculator : None Response Time : N.A Think Time : N.A Minimum Instruction Time : 0

Correct Marks : 5 Wrong Marks : 1

Question Key Details :

Key	Value
Comprehension	MCQ

Identify the **correct** statements for Isometric Projection of a Sphere:

- A. Its diameter is foreshortened.
- B. Its isometric projection appears as circle.
- C. Its isometric projection is drawn by taking an angle of 60° with the horizontal reference line.
- D. Its diameter is drawn using true scale.
- E. Its isometric projection appears as hemisphere.

Choose the **correct** answer from the options given below:

- 1. B and D only
- 2. B and C only
- 3. A and D only
- 4. A and E only

Options :

- 485584138541. 1
- 485584138542. 2
- 485584138543. 3
- 485584138544. 4

Question Number : 181 Question Id : 48558434636 Question Type : MCQ Option Shuffling : No Is Question Mandatory : No Calculator : None Response Time : N.A Think Time : N.A Minimum Instruction Time : 0

Correct Marks : 5 Wrong Marks : 1

Question Key Details :

Key	Value
Comprehension	MCQ

ஓர் கோளத்தின் சமஅளவு வீழலை வரையும் போது அமையும் சரியான பதிலைத் தேர்ந்தெடுக்கவும்

- A. அதன் உருவ அளவு முன்சுருக்கம் உடையது
- B. அதன் சமஅளவு எறிவு வட்டமாகத் தோன்றும்
- C. அதன் சமஅளவு எறிவு கிடைமட்டத்தோடு 60° என்ற கோணம் கொண்டு வரையப்படும்
- D. அதன் விட்டம், உண்மையான அளவுகோல் கொண்டு வரையப்படும்
- E. அதன் சமஅளவு எறிவு அரைக்கோளம் போன்று தோன்றும்

கீழே தரப்பட்டுள்ள வாய்ப்புகளில் இருந்து சரியான விடையைத் தேர்ந்தெடுக்கவும்:

- 1. B மற்றும் D மட்டுமே
- 2. B மற்றும் C மட்டுமே
- 3. A மற்றும் D மட்டுமே
- 4. A மற்றும் E மட்டுமே

Options :

- 485584138541. 1

485584138542. 2
485584138543. 3
485584138544. 4

Question Number : 182 Question Id : 48558434637 Question Type : MCQ Option Shuffling : No Is Question Mandatory : No Calculator : None Response Time : N.A Think Time : N.A Minimum Instruction Time : 0

Correct Marks : 5 Wrong Marks : 1

Question Key Details :

Key	Value
Comprehension	MCQ

Identify the **correct** statements for the Screw threads:

- A. A square thread of nominal diameter = 30 mm and Pitch = 6 mm is designated as K 30 × 6.
- B. Knuckle threads are used on necks of glass bottles.
- C. Square threads offers less frictional resistance.
- D. The angle between flanks of metric thread is 55°.
- E. The flanks of B.S.W. thread are equally rounded at both crest and root.

Choose the **correct** answer from the options given below:

- 1. A, B and C only
- 2. B, C and D only
- 3. C, D and E only
- 4. B, C and E only

Options :

485584138545. 1
485584138546. 2
485584138547. 3
485584138548. 4

Question Number : 182 Question Id : 48558434637 Question Type : MCQ Option Shuffling : No Is Question Mandatory : No Calculator : None Response Time : N.A Think Time : N.A Minimum Instruction Time : 0

Correct Marks : 5 Wrong Marks : 1

Question Key Details :

Key	Value
Comprehension	MCQ

திருகு புரிகள் பற்றிய சரியான கூற்றுகளைக் கண்டறிக:

- A. ஒரு சதுர புரியின் உரிய விட்டம் = 30 mm மற்றும் புரிநீளம் = 6 mm கொண்டு K 30 × 6 என பெயரிடப்பட்டுள்ளது
- B. கண்ணாடி பாட்டில்களின் கழுத்தில் நக்குல் புரிகள் பயன்படுத்தப்படுகிறது
- C. சதுர புரிகள், V-புரிகளைக் காட்டிலும் குறைவான உராய்வு எதிர்ப்பை அளிக்கின்றன.
- D. அளவீட்டு புரியின் மடிப்புகளுக்கு இடையேயான கோணம், 55° ஆகும்.
- E. BSW புரியது மடிப்புகளும், முகடு மற்றும் வேர் ஆகிய இரண்டிலும் சம வளைவு இருக்கும்.

கீழே தரப்பட்டுள்ள வாய்ப்புகளில் இருந்து சரியான விடையைத் தேர்ந்தெடுக்கவும்:

- 1. A, B மற்றும் C மட்டுமே
- 2. B, C மற்றும் D மட்டுமே
- 3. C, D மற்றும் E மட்டுமே
- 4. B, C மற்றும் E மட்டுமே

Options :

- 485584138545. 1
- 485584138546. 2
- 485584138547. 3
- 485584138548. 4

Question Number : 183 Question Id : 48558434638 Question Type : MCQ Option Shuffling : No Is Question Mandatory : No Calculator : None Response Time : N.A Think Time : N.A Minimum Instruction Time : 0

Correct Marks : 5 Wrong Marks : 1

Question Key Details :

Key	Value
Comprehension	MCQ

Identify the **correct** statements for Stud:

- A. Stud is a permanent fastener.
- B. A stud is a cylindrical rod, having threads on both ends.
- C. It has internal thread.
- D. It is always used with cotter.
- E. It is used where there is no place for the bolt head.

Choose the **correct** answer from the options given below:

- 1. A and E only
- 2. B and E only
- 3. D and E only
- 4. B and D only

Options :

485584138549. 1
485584138550. 2
485584138551. 3
485584138552. 4

Question Number : 183 Question Id : 48558434638 Question Type : MCQ Option Shuffling : No Is Question Mandatory : No Calculator : None Response Time : N.A Think Time : N.A Minimum Instruction Time : 0

Correct Marks : 5 Wrong Marks : 1

Question Key Details :

Key	Value
Comprehension	MCQ

நிலையாணியைப் பற்றிய சில உன்மைகள் கொடுக்கப்பட்டுள்ளன சரியான கூற்றுகளைத் தெரிவு செய்க:

- A. நிலையாணி ஒரு நிரந்தர இணைப்பி
- B. ஒரு நிலையாணி என்பது இருமுனைகளிலும் புரிகள் கொண்டமையும் ஒரு உருளை வடிவத் தண்டு
- C. அது உள் புரி பெற்று இருக்கும்
- D. அது எப்போழுதும் ஆப்புடன் பயன்படுத்தப்படும்
- E. போல்ட் தலை அமைய இடமளிக்காத போது இது பயன்படுத்தப்படுகிறது.

கீழே தரப்பட்டுள்ள வாய்ப்புகளில் இருந்து சரியான விடையைத் தேர்ந்தெடுக்கவும்:

- 1. A மற்றும் E மட்டுமே
- 2. B மற்றும் E மட்டுமே
- 3. D மற்றும் E மட்டுமே
- 4. B மற்றும் D மட்டுமே

Options :

485584138549. 1
485584138550. 2
485584138551. 3
485584138552. 4

Question Number : 184 Question Id : 48558434639 Question Type : MCQ Option Shuffling : No Is Question Mandatory : No Calculator : None Response Time : N.A Think Time : N.A Minimum Instruction Time : 0

Correct Marks : 5 Wrong Marks : 1

Question Key Details :

Key	Value
Comprehension	MCQ

Identify the **correct** statements for a Gib and Cotter joint:

- A. The Gib has the same thickness as that of the Cotter.
- B. Two cotters are used in this joint.
- C. Cotter is made of plastic.
- D. Cotter is used in conjunction with Gib.
- E. Rods are of circular shape in this joint.

Choose the **correct** answer from the options given below:

- 1. A and B only
- 2. A and C only
- 3. A and D only
- 4. D and E only

Options :

- 485584138553. 1
- 485584138554. 2
- 485584138555. 3
- 485584138556. 4

Question Number : 184 Question Id : 48558434639 Question Type : MCQ Option Shuffling : No Is Question Mandatory : No Calculator : None Response Time : N.A Think Time : N.A Minimum Instruction Time : 0

Correct Marks : 5 Wrong Marks : 1

Question Key Details :

Key	Value
Comprehension	MCQ

ஆப்பு இறுக்கி மற்றும் ஆப்பு ஆணி இணைப்பு ஒன்றைப் பற்றிய சரியான கூற்றுக்களைக் கண்டறிக:

- A. ஆப்பு இறுக்கியது தடிமன், ஆப்பின் தனிமனுக்குச் சமமானது.
- B. இரு ஆப்புகள் பயன்படுத்தப்படுகின்றன
- C. ஆப்பு, நெகிழியால் ஆனது.
- D. ஆப்பு, ஆப்பு இறுக்கியோடு சேர்த்து பயன்படுத்தப்படுகிறது
- E. தண்டுகள் வட்டவடிவமானவை

கீழே தரப்பட்டுள்ள வாய்ப்புகளில் இருந்து சரியான விடையைத் தேர்ந்தெடுக்கவும்:

- 1. A மற்றும் B மட்டுமே
- 2. A மற்றும் C மட்டுமே
- 3. A மற்றும் D மட்டுமே
- 4. D மற்றும் E மட்டுமே

Options :

- 485584138553. 1
- 485584138554. 2

485584138555. 3

485584138556. 4

Question Number : 185 Question Id : 48558434640 Question Type : MCQ Option Shuffling : No Is Question Mandatory : No Calculator : None Response Time : N.A Think Time : N.A Minimum Instruction Time : 0

Correct Marks : 5 Wrong Marks : 1

Question Key Details :

Key	Value
Comprehension	MCQ

Match List I with List II

LIST I		LIST II	
A.	Isometric projection	I.	Angle between two principal planes is 90° .
B.	Dimetric projection	II.	All the angles between principal axes are unequal and not less than 90° .
C.	Trimetric projection	III.	All the angles between principal axes are equal.
D.	Orthographic projection	IV.	Only two angles between three principal axes are equal.

Choose the **correct** answer from the options given below:

1. A-III, B-IV, C-II, D-I

2. A-I, B-II, C-III, D-IV

3. A-II, B-III, C-IV, D-I

4. A-IV, B-II, C-III, D-I

Options :

485584138557. 1

485584138558. 2

485584138559. 3

485584138560. 4

Question Number : 185 Question Id : 48558434640 Question Type : MCQ Option Shuffling : No Is Question Mandatory : No Calculator : None Response Time : N.A Think Time : N.A Minimum Instruction Time : 0

Correct Marks : 5 Wrong Marks : 1

Question Key Details :

Key	Value
Comprehension	MCQ

பட்டியல் I ஐ பட்டியல் II உடன் பொருத்துக

பட்டியல் I		பட்டியல் II	
A.	சமஅளவு வீழல்	I.	இரு முதன்மை தளங்களுக்கு இடையிலான கோணம், 90° ஆகும்.
B.	இருஅளவீட்டு வீழல்	II.	மூன்று கோணங்களும் சமமற்று 90° க்கு குறைவாக இருக்காது
C.	மூன்று அளவீட்டு வீழல்	III.	முதன்மை அச்சகளுக்கு இடையிலான கோணம், சமமாக இருக்கும்.
D.	செங்குத்து வரைவியல் வீழல்	IV.	மூன்று முதன்மை அச்சகளுக்கு இடையிலான இரண்டு கோணங்கள் மட்டும் சமமாக இருக்கும்.

கீழே தரப்பட்டுள்ள வாய்ப்புகளில் இருந்து சரியான விடையைத் தேர்ந்தெடுக்கவும்:

1. A-III, B-IV, C-II, D-I
2. A-I, B-II, C-III, D-IV
3. A-II, B-III, C-IV, D-I
4. A-IV, B-II, C-III, D-I

Options :

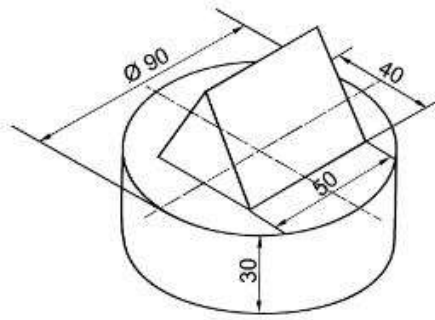
485584138557. 1
485584138558. 2
485584138559. 3
485584138560. 4

Question Number : 186 Question Id : 48558434641 Question Type : MCQ Option Shuffling : No Is Question Mandatory : No Calculator : None Response Time : N.A Think Time : N.A Minimum Instruction Time : 0

Correct Marks : 5 Wrong Marks : 1

Question Key Details :

Key	Value
Comprehension	MCQ



Match List I with List II on the basis of the given figure.

LIST I		LIST II	
A.	Bottom Solid.	I.	Vertical
B.	Top solid.	II.	Horizontal
C.	Axis of top solid.	III.	Equilateral Triangular Prism
D.	Axis of bottom solid.	IV.	Circular slab

Choose the **correct** answer from the options given below:

1. A-III, B-II, C-I, D-IV
2. A-III, B-II, C-IV, D-I
3. A-I, B-II, C-III, D-IV
4. A-IV, B-III, C-II, D-I

Options :

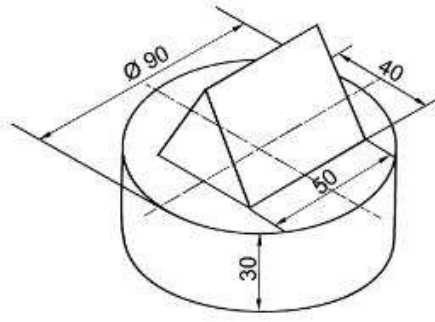
485584138561. 1
 485584138562. 2
 485584138563. 3
 485584138564. 4

Question Number : 186 Question Id : 48558434641 Question Type : MCQ Option Shuffling : No Is Question Mandatory : No Calculator : None Response Time : N.A Think Time : N.A Minimum Instruction Time : 0

Correct Marks : 5 Wrong Marks : 1

Question Key Details :

Key	Value
Comprehension	MCQ



பட்டியல் I ஐ பட்டியல் II உடன் பொருத்துக

பட்டியல் I கீழே கொடுக்கப்பட்டுள்ள சமஅளவு வீழல் தொகுப்பு.		பட்டியல் II	
A.	கீழுள்ள திண்மம்	I.	Vertical
B.	மேலுள்ள திண்மம்	II.	Horizontal
C.	சமபக்க முக்கோணவடிவ முப்பட்டகத்தின் அச்சு	III.	Equilateral Triangular Prism
D.	வட்டவடிவப் பாலத்தின் அச்சு	IV.	Circular slab

கீழே தரப்பட்டுள்ள வாய்ப்புகளில் இருந்து சரியான விடையைத் தேர்ந்தெடுக்கவும்:

1. A-III, B-II, C-I, D-IV
2. A-II, B-II, C-IV, D-I
3. A-I, B-II, C-III, D-IV
4. A-IV, B-III, C-II, D-I

Options :

485584138561. 1
485584138562. 2
485584138563. 3
485584138564. 4

Question Number : 187 Question Id : 48558434642 Question Type : MCQ Option Shuffling : No Is Question Mandatory : No Calculator : None Response Time : N.A Think Time : N.A Minimum Instruction Time : 0

Correct Marks : 5 Wrong Marks : 1

Question Key Details :

Key	Value
Comprehension	MCQ

Match List I with List II

LIST I Hexagonal headed bolt		LIST II (‘d’ is the nominal diameter)	
A.	Thickness of Head	I.	d
B.	Threaded length of shank	II.	0.8d
C.	Radius of arc showing conventional end of the shank in its front view	III.	2d +6
D.	Width across the flats of head	IV.	1.5d+3

Choose the **correct** answer from the options given below:

1. A-II, B-III, C-I, D-IV
2. A-I, B-II, C-III, D-IV
3. A-III, B-IV, C-II, D-I
4. A-IV, B-I, C-II, D-III

Options :

- 485584138565. 1
- 485584138566. 2
- 485584138567. 3
- 485584138568. 4

Question Number : 187 Question Id : 48558434642 Question Type : MCQ Option Shuffling : No Is Question Mandatory : No Calculator : None Response Time : N.A Think Time : N.A Minimum Instruction Time : 0

Correct Marks : 5 Wrong Marks : 1

Question Key Details :

Key	Value
Comprehension	MCQ

பட்டியல் I ஐ பட்டியல் II உடன் பொருத்துக

பட்டியல் I 'd' என்பது அறுங்கோண தலையுடைய மறையாணியின் உரிய விட்டமாகும்		பட்டியல் II	
A.	தலையின் தடிமன்	I.	d
B.	தண்டின் புரியிடப்பட்ட நீளம்	II.	0.8d
C.	மரபுசார் முனையைக் காட்டும் வில் ஆரம்	III.	2d+6
D.	தலையின் இரு இணைமுகங்களுக்கு இடையிலான தட்டைப்பரப்புகளுக்கு குறுக்கான உருவ அளவு	IV.	1.5d+3

கீழே தரப்பட்டுள்ள வாய்ப்புகளில் இருந்து சரியான விடையைத் தேர்ந்தெடுக்கவும்:

1. A-II, B-III, C-I, D-IV
2. A-I, B-II, C-III, D-IV
3. A-III, B-IV, C-II, D-I
4. A-IV, B-I, C-II, D-III

Options :

485584138565. 1
485584138566. 2
485584138567. 3
485584138568. 4

**Question Number : 188 Question Id : 48558434643 Question Type : MCQ Option Shuffling : No Is Question Mandatory :
No Calculator : None Response Time : N.A Think Time : N.A Minimum Instruction Time : 0**

Correct Marks : 5 Wrong Marks : 1

Question Key Details :

Key	Value
Comprehension	MCQ

Match List I with List II

LIST I		LIST II	
A.	B.S.W. Thread	I.	Semicircles on opposite side
B.	Metric External Thread	II.	Both crest and root are flat
C.	Square Thread	III.	Rounded equally at root and crest
D.	Knuckle Thread	IV.	Crest flat and root rounded

Choose the **correct** answer from the options given below:

1. A-I, B-II, C-III, D-IV
2. A-IV, B-III, C-I, D-II
3. A-III, B-IV, C-II, D-I
4. A-II, B-III, C-I, D-IV

Options :

485584138569. 1
485584138570. 2
485584138571. 3
485584138572. 4

Question Number : 188 Question Id : 48558434643 Question Type : MCQ Option Shuffling : No Is Question Mandatory : No Calculator : None Response Time : N.A Think Time : N.A Minimum Instruction Time : 0

Correct Marks : 5 Wrong Marks : 1

Question Key Details :

Key	Value
Comprehension	MCQ

பட்டியல் I ஐ பட்டியல் II உடன் பொருத்துக

பட்டியல் I		பட்டியல் II	
A.	B.S.W புரி	I.	எதிர் எதிர்பக்கங்களின் அறைவட்டங்கள்
B.	புற அளவீட்டு புரி	II.	முகடு மற்றும் வேர் ஆகிய இரண்டும் தட்டையானது
C.	சதுரவடிவ புரி	III.	வேர் மற்றும் முகடு ஆகிய இடங்களில் சமமாக வளைக்கப்பட்டவை
D.	நக்குள் புரி	IV.	முகடு தட்டையானது மற்றும் வேர் வளைவானது

கீழே தரப்பட்டுள்ள வாய்ப்புகளில் இருந்து சரியான விடையைத் தேர்ந்தெடுக்கவும்:

1. A-I, B-II, C-III, D-IV
2. A-IV, B-III, C-I, D-II
3. A-III, B-IV, C-II, D-I
4. A-II, B-III, C-I, D-IV

Options :

- 485584138569. 1
- 485584138570. 2
- 485584138571. 3
- 485584138572. 4

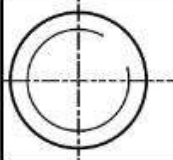

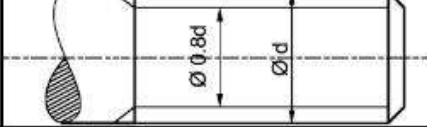
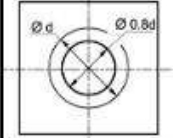
Question Number : 189 Question Id : 48558434644 Question Type : MCQ Option Shuffling : No Is Question Mandatory : No Calculator : None Response Time : N.A Think Time : N.A Minimum Instruction Time : 0

Correct Marks : 5 Wrong Marks : 1

Question Key Details :

Key	Value
Comprehension	MCQ

Match List I with List II

LIST I (Conventional representation of V- thread)		LIST II (Orthographic View)	
A.	External V-thread in the front view	I.	
B.	Internal V-thread in the side view	II.	
C.	External V-thread in the side view	III.	
D.	Internal V-thread in the front view	IV.	

Choose the **correct** answer from the options given below:

- 1. A-I, B-III, C-II, D-IV
- 2. A-III, B-IV, C-I, D-II
- 3. A-II, B-I, C-IV, D-III
- 4. A-IV, B-II, C-III, D-I

Options :

- 485584138573. 1
- 485584138574. 2
- 485584138575. 3
- 485584138576. 4

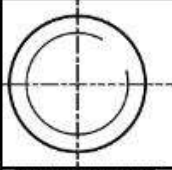

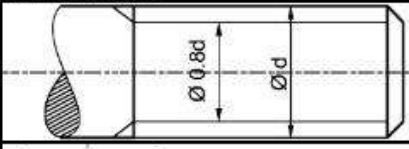
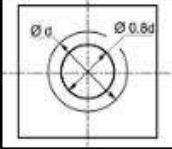
Question Number : 189 Question Id : 48558434644 Question Type : MCQ Option Shuffling : No Is Question Mandatory : No Calculator : None Response Time : N.A Think Time : N.A Minimum Instruction Time : 0

Correct Marks : 5 Wrong Marks : 1

Question Key Details :

Key	Value
Comprehension	MCQ

பட்டியல் I ஐ பட்டியல் II உடன் பொருத்துக

பட்டியல் I		பட்டியல் II (படங்கள்)	
V- புரியின் மரபுசார் குறியீடு			
A.	புற V- புரியது மரபுசார் குறியீடு முன்பக்க நோக்குதலில்	I.	
B.	அக V-புரியது பக்கவாட்டு நோக்குதல்	II.	
C.	புற V-புரியது பக்கவாட்டு நோக்குதல்	III.	
D.	அக V-புரியது முன்பக்க நோக்குதல்	IV.	

கீழே தரப்பட்டுள்ள வாய்ப்புகளில் இருந்து சரியான விடையைத் தேர்ந்தெடுக்கவும்:

1. A-I, B-III, C-II, D-IV
2. A-III, B-IV, C-I, D-II
3. A-II, B-I, C-IV, D-III
4. A-IV, B-II, C-III, D-I

Options :

485584138573. 1
485584138574. 2
485584138575. 3
485584138576. 4

Question Number : 190 Question Id : 48558434645 Question Type : MCQ Option Shuffling : No Is Question Mandatory : No Calculator : None Response Time : N.A Think Time : N.A Minimum Instruction Time : 0

Correct Marks : 5 Wrong Marks : 1

Question Key Details :

Key	Value
Comprehension	MCQ

Match List I with List II

LIST I		LIST II	
A.	Turnbuckle Joint	I.	Journal Bearing
B.	Flange Joint	II.	Square Rod Joint
C.	Bush Bearing	III.	Pipe Joint
D.	Gib and Cotter Joint	IV.	Tie-rod Joint

Choose the **correct** answer from the options given below:

1. A-IV, B-III, C-I, D-II
2. A-I, B-II, C-III, D-IV
3. A-II, B-III, C-IV, D-I
4. A-III, B-II, C-IV, D-I

Options :

485584138577. 1
485584138578. 2
485584138579. 3
485584138580. 4

Question Number : 190 Question Id : 48558434645 Question Type : MCQ Option Shuffling : No Is Question Mandatory : No Calculator : None Response Time : N.A Think Time : N.A Minimum Instruction Time : 0

Correct Marks : 5 Wrong Marks : 1

Question Key Details :

Key	Value
Comprehension	MCQ

பட்டியல் I ஐ பட்டியல் II உடன் பொருத்துக

பட்டியல் I		பட்டியல் II	
A.	திரும்ப இறுக்கி இணைப்பு	I.	சுழல் தாங்கு
B.	சடை இணைப்பு	II.	சதுர தண்டு இணைப்பு
C.	உழல்வாய் தாங்கு	III.	குழாய் தாங்கு
D.	ஆப்பு இறுக்கி மற்றும் ஆணி இணைப்பு	IV.	இழு-தண்டு இணைப்பு

கீழே தரப்பட்டுள்ள வாய்ப்புகளில் இருந்து சரியான விடையைத் தேர்ந்தெடுக்கவும்:

1. A-IV, B-III, C-I, D-II
2. A-I, B-II, C-III, D-IV
3. A-II, B-III, C-IV, D-I
4. A-III, B-II, C-IV, D-I

Options :

485584138577. 1
485584138578. 2

485584138579. 3

485584138580. 4

Sub-Section Number :

2

Sub-Section Id :

4855842534

Question Shuffling Allowed :

No

Is Section Default? :

null

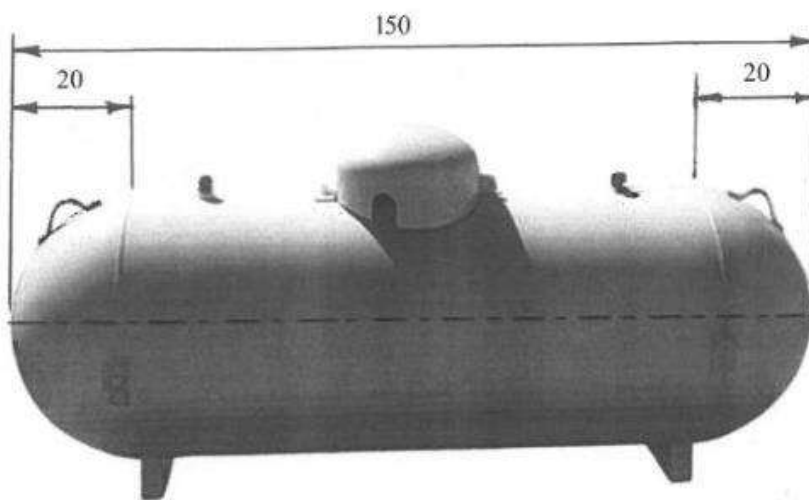
Question Number : 191 Question Id : 48558434646 Question Type : MCQ Option Shuffling : No Is Question Mandatory : No Calculator : None Response Time : N.A Think Time : N.A Minimum Instruction Time : 0

Correct Marks : 5 Wrong Marks : 1

Question Key Details :

Key	Value
Comprehension	Comp1

Read the passage and answer the following question.



Rohan during his industrial visit saw a storage tank which is a combination of different solids he had studied in his class. For preparing his industrial visit report, he clicked pictures and measured dimensions of the tank and other machine parts in the industry. One such picture from his report is shown here (dimensions given are in meters). Ignore the thickness, stands, opening and other branches of the tank and answer the following questions.

The storage tank is the combination of _____.

1. two spheres and one cylinder
2. two hemispheres and one cylinder
3. one hemisphere and one cylinder
4. two cones and one cylinder

Options :

485584138581. 1

485584138582. 2

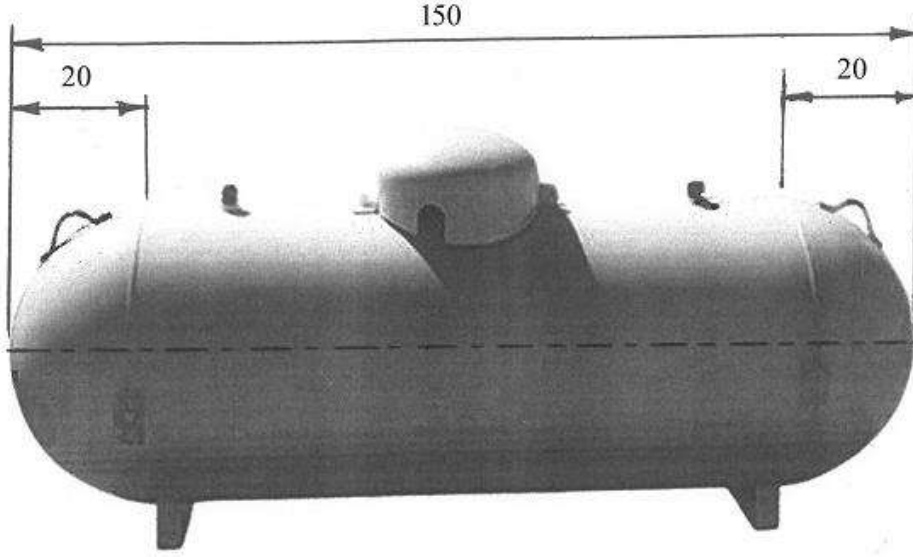
485584138583. 3

485584138584. 4

Question Number : 191 Question Id : 48558434646 Question Type : MCQ Option Shuffling : No Is Question Mandatory : No Calculator : None Response Time : N.A Think Time : N.A Minimum Instruction Time : 0
 Correct Marks : 5 Wrong Marks : 1
 Question Key Details :

Key	Value
Comprehension	Comp1

பத்தியை படித்து பின்வரும் வினாக்களுக்கு விடையளி:



ரோஹன் தனது தொழில்துறை சார் வருகையின்போது, தனது வகுப்பில் படித்தது போன்ற பல்வேறு திண்மங்களான ஒரு தொகுப்புடானான ஒரு சேமிப்புத்தொட்டியைக் கண்டான். தனது தொழிற்துறைசார் வருகை அறிக்கையை தயாரிக்கும்போது, படம் பிடித்து, தொட்டியின் பரிமாணங்களை அளவிட்டும் தொழிற்சாலையில் பிற எந்திர பாகங்களையும் அளவிட்டான். அவனது அறிக்கையிலிருந்து எடுக்கப்பட்ட படம்(பரிமாணங்கள் மீட்டரில் கொடுக்கப்பட்டுள்ளது) இங்கு காட்டப்பட்டுள்ளது. தடிமன், தாங்கிகள், திறப்புகள் மற்றும் தொட்டியின் பிற பாகங்களை ஒதுக்கிவிட்டு பின்வரும் வினாக்களுக்கு விடையளி:

சேமிப்பு தொட்டி இதன் தொகுப்பாகும் _____

1. இரு கோளங்கள் மற்றும் ஒரு உருளை
2. இரு அரைகோளங்கள் மற்றும் ஒரு உருளை
3. இரு அரைகோளங்கள் மற்றும் ஒரு உருளை
4. இரு கூம்புகள் மற்றும் ஒரு உருளை

Options :

485584138581. 1

485584138582. 2

485584138583. 3

485584138584. 4

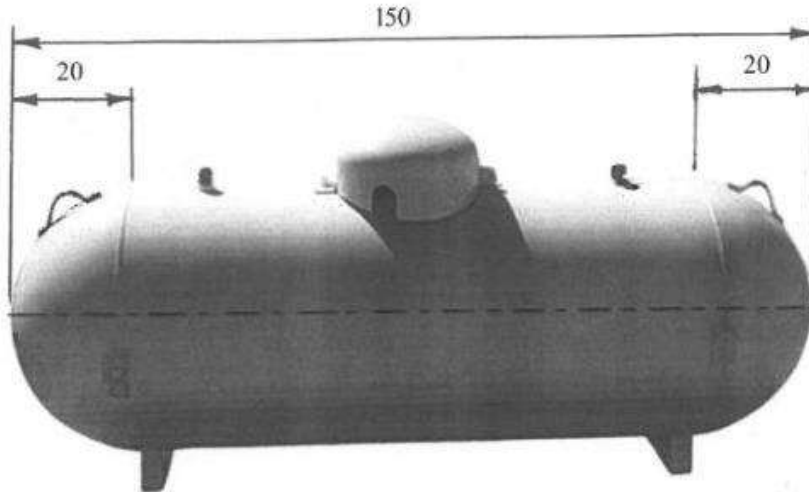
Question Number : 192 Question Id : 48558434647 Question Type : MCQ Option Shuffling : No Is Question Mandatory : No Calculator : None Response Time : N.A Think Time : N.A Minimum Instruction Time : 0

Correct Marks : 5 Wrong Marks : 1

Question Key Details :

Key	Value
Comprehension	Comp1

Read the passage and answer the following question.



Rohan during his industrial visit saw a storage tank which is a combination of different solids he had studied in his class. For preparing his industrial visit report, he clicked pictures and measured dimensions of the tank and other machine parts in the industry. One such picture from his report is shown here (dimensions given are in meters). Ignore the thickness, stands, opening and other branches of the tank and answer the following questions.

The axial length of the cylindrical central portion in its isometric projection will be reduced to _____ (approximately).

1. 88 meter
2. 110 meter
3. 55 meter
4. 44 meter

Options :

485584138585. 1

485584138586. 2

485584138587. 3

485584138588. 4

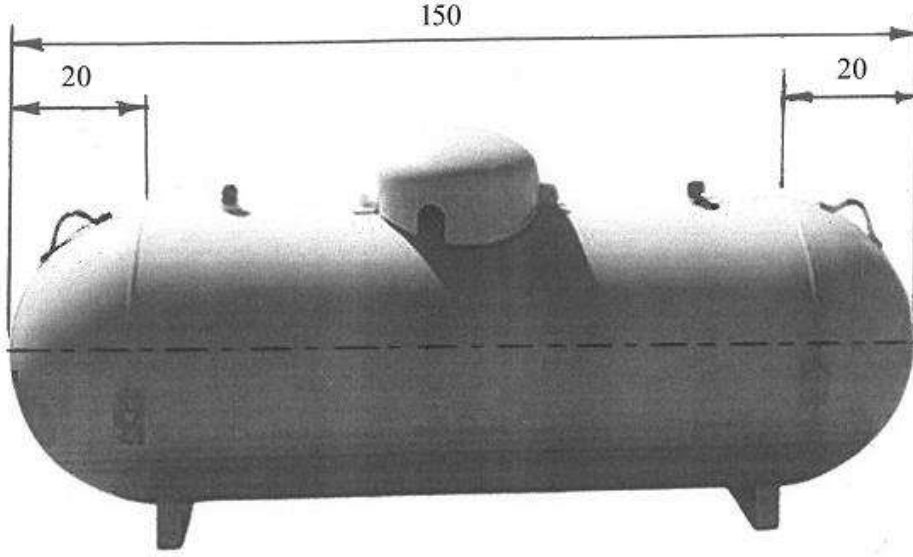
Question Number : 192 Question Id : 48558434647 Question Type : MCQ Option Shuffling : No Is Question Mandatory : No Calculator : None Response Time : N.A Think Time : N.A Minimum Instruction Time : 0

Correct Marks : 5 Wrong Marks : 1

Question Key Details :

Key	Value
Comprehension	Comp1

பத்தியை படித்து பின்வரும் வினாக்களுக்கு விடையளி:



ரோஹன் தனது தொழில்துறை சார் வருகையின்போது, தனது வகுப்பில் படித்தது போன்ற பல்வேறு திண்மங்களான ஒரு தொகுப்புடானான ஒரு சேமிப்புத்தொட்டியைக் கண்டான். தனது தொழிற்சாலை சார் வருகை அறிக்கையை தயாரிக்கும்போது, படம் பிடித்து, தொட்டியின் பரிமாணங்களை அளவிட்டும் தொழிற்சாலையில் பிற எந்திர பாகங்களையும் அளவிட்டான். அவனது அறிக்கையிலிருந்து எடுக்கப்பட்ட படம்(பரிமாணங்கள் மீட்டரில் கொடுக்கப்பட்டுள்ளது) இங்கு காட்டப்பட்டுள்ளது. தடிமன், தாங்கிகள், திறப்புகள் மற்றும் தொட்டியின் பிற பாகங்களை ஒதுக்கிவிட்டு பின்வரும் வினாக்களுக்கு விடையளி:

அதன் சமஅளவு வீழலின் உருளைவடிவ மையப்பகுதியின் அச்ச திசை நீளம் _____(ஏறக்குறைய) குறைக்கப்படும்

1. 88 மீட்டர்கள்
2. 110 மீட்டர்கள்
3. 55 மீட்டர்கள்
4. 44 மீட்டர்கள்

Options :

485584138585. 1
485584138586. 2
485584138587. 3
485584138588. 4

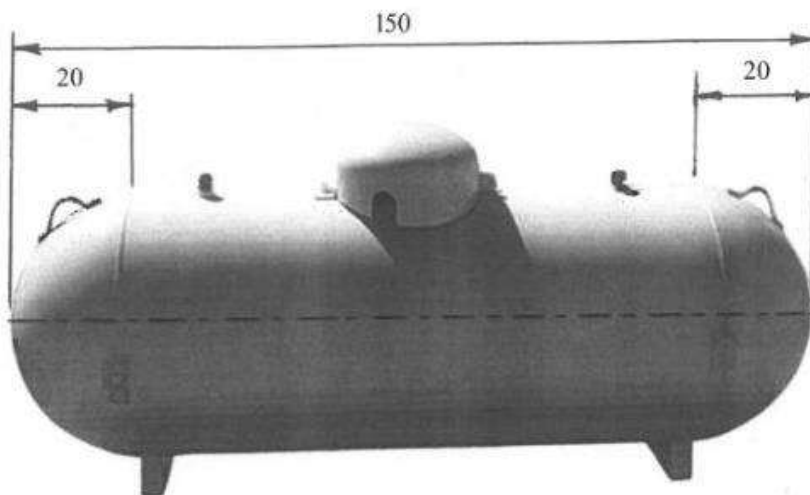
Question Number : 193 Question Id : 48558434648 Question Type : MCQ Option Shuffling : No Is Question Mandatory : No Calculator : None Response Time : N.A Think Time : N.A Minimum Instruction Time : 0

Correct Marks : 5 Wrong Marks : 1

Question Key Details :

Key	Value
Comprehension	Comp1

Read the passage and answer the following question.



Rohan during his industrial visit saw a storage tank which is a combination of different solids he had studied in his class. For preparing his industrial visit report, he clicked pictures and measured dimensions of the tank and other machine parts in the industry. One such picture from his report is shown here (dimensions given are in meters). Ignore the thickness, stands, opening and other branches of the tank and answer the following questions.

In the side view of the tank, the diameter of the circle is _____.

1. 20 meter
2. 75 meter
3. 40 meter
4. 55 meter

Options :

485584138589. 1
485584138590. 2
485584138591. 3
485584138592. 4

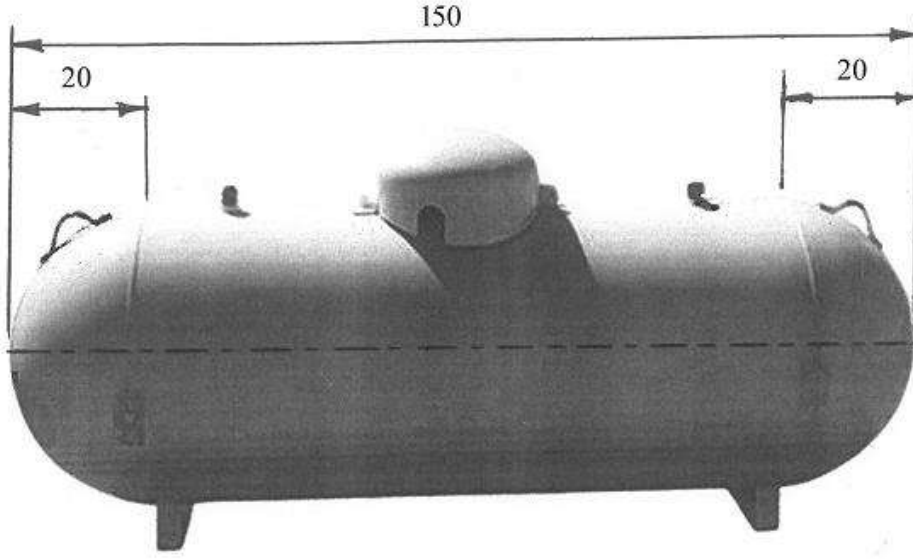
Question Number : 193 Question Id : 48558434648 Question Type : MCQ Option Shuffling : No Is Question Mandatory : No Calculator : None Response Time : N.A Think Time : N.A Minimum Instruction Time : 0

Correct Marks : 5 Wrong Marks : 1

Question Key Details :

Key	Value
Comprehension	Comp1

பத்தியை படித்து பின்வரும் வினாக்களுக்கு விடையளி:



ரோஹன் தனது தொழில்துறை சார் வருகையின்போது, தனது வகுப்பில் படித்தது போன்ற பல்வேறு துண்மங்களான ஒரு தொகுப்புடானான ஒரு சேமிப்புத்தொட்டியைக் கண்டான். தனது தொழிற்துறைசார் வருகை அறிக்கையை தயாரிக்கும்போது, படம் பிடித்து, தொட்டியின் பரிமாணங்களை அளவிட்டும் தொழிற்சாலையில் பிற எந்திர பாகங்களையும் அளவிட்டான். அவனது அறிக்கையிலிருந்து எடுக்கப்பட்ட படம்(பரிமாணங்கள் மீட்டரில் கொடுக்கப்பட்டுள்ளது) இங்கு காட்டப்பட்டுள்ளது. தடிமன், தாங்கிகள், திறப்புகள் மற்றும் தொட்டியின் பிற பாகங்களை ஒதுக்கிவிட்டு பின்வரும் வினாக்களுக்கு விடையளி:

தொட்டியின் பக்கவாட்டு நோக்குதலில், வட்டதின் விட்டம் என்பது?

1. 20 மீட்டர்கள்
2. 75 மீட்டர்கள்
3. 40 மீட்டர்கள்
4. 55 மீட்டர்கள்

Options :

485584138589. 1
485584138590. 2
485584138591. 3
485584138592. 4

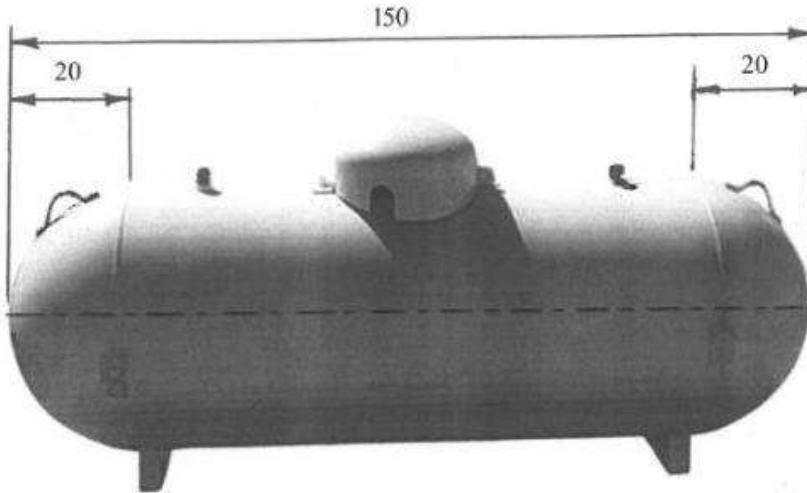
Question Number : 194 Question Id : 48558434649 Question Type : MCQ Option Shuffling : No Is Question Mandatory : No Calculator : None Response Time : N.A Think Time : N.A Minimum Instruction Time : 0

Correct Marks : 5 Wrong Marks : 1

Question Key Details :

Key	Value
Comprehension	Comp1

Read the passage and answer the following question.



Rohan during his industrial visit saw a storage tank which is a combination of different solids he had studied in his class. For preparing his industrial visit report, he clicked pictures and measured dimensions of the tank and other machine parts in the industry. One such picture from his report is shown here (dimensions given are in meters). Ignore the thickness, stands, opening and other branches of the tank and answer the following questions.

According to the shown picture, choose a statement regarding the axis of the tank, which is **not possible** at all.

1. it is parallel to V.P.
2. it is parallel to H.P.
3. it is perpendicular to V.P.
4. it is perpendicular to H.P.

Options :

485584138593. 1
 485584138594. 2
 485584138595. 3
 485584138596. 4

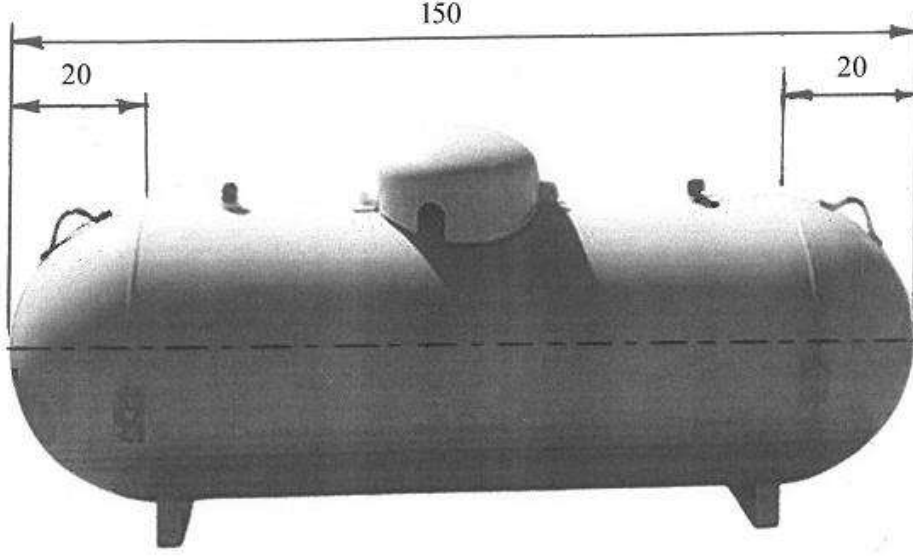
Question Number : 194 Question Id : 48558434649 Question Type : MCQ Option Shuffling : No Is Question Mandatory : No Calculator : None Response Time : N.A Think Time : N.A Minimum Instruction Time : 0

Correct Marks : 5 Wrong Marks : 1

Question Key Details :

Key	Value
Comprehension	Comp1

பத்தியை படித்து பின்வரும் வினாக்களுக்கு விடையளி:



ரோஹன் தனது தொழில்துறை சார் வருகையின்போது, தனது வகுப்பில் படித்தது போன்ற பல்வேறு துண்மங்களான ஒரு தொகுப்புடானான ஒரு சேமிப்புத்தொட்டியைக் கண்டான். தனது தொழிற்சாலை சார் வருகை அறிக்கையை தயாரிக்கும்போது, படம் பிடித்து, தொட்டியின் பரிமாணங்களை அளவிட்டும் தொழிற்சாலையில் பிற எந்திர பாகங்களையும் அளவிட்டான். அவனது அறிக்கையிலிருந்து எடுக்கப்பட்ட படம்(பரிமாணங்கள் மீட்டரில் கொடுக்கப்பட்டுள்ளது) இங்கு காட்டப்பட்டுள்ளது. தடிமன், தாங்கிகள், திறப்புகள் மற்றும் தொட்டியின் பிற பாகங்களை ஒதுக்கிவிட்டு பின்வரும் வினாக்களுக்கு விடையளி:

காட்டப்பட்டுள்ள படத்தின்படி நடைமுறையில் **சாத்தியமற்ற**, தொட்டியின் அச்சு பற்றிய கூற்றை தெரிவு செய்க:

1. அது VPக்கு இணையாக இருக்கும்
2. அது HPக்கு இணையாக இருக்கும்
3. அது VPக்கு செங்குத்தாக இருக்கும்
4. அது HPக்கு செங்குத்தாக இருக்கும்

Options :

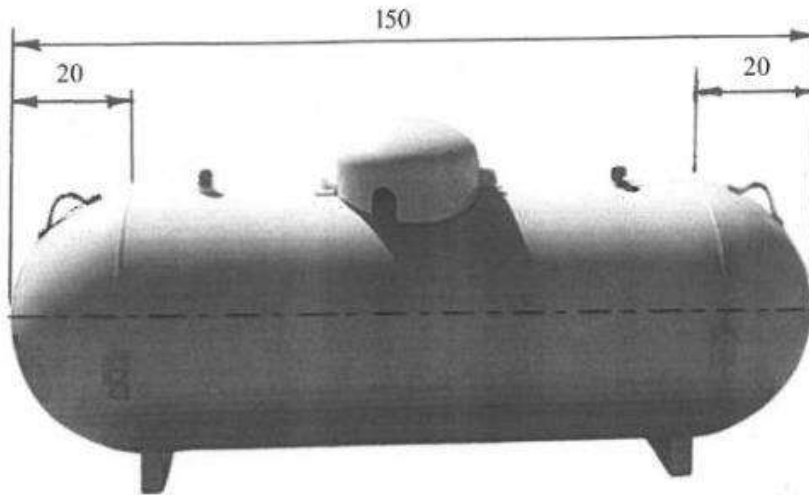
485584138593. 1
485584138594. 2
485584138595. 3
485584138596. 4

Question Number : 195 Question Id : 48558434650 Question Type : MCQ Option Shuffling : No Is Question Mandatory : No Calculator : None Response Time : N.A Think Time : N.A Minimum Instruction Time : 0 Correct Marks : 5 Wrong Marks : 1

Question Key Details :

Key	Value
Comprehension	Comp1

Read the passage and answer the following question.



Rohan during his industrial visit saw a storage tank which is a combination of different solids he had studied in his class. For preparing his industrial visit report, he clicked pictures and measured dimensions of the tank and other machine parts in the industry. One such picture from his report is shown here (dimensions given are in meters). Ignore the thickness, stands, opening and other branches of the tank and answer the following questions.

The 2D figure required for drawing isometric projection of this tank is _____.

1. Ellipse
2. Pentagon
3. Hexagon
4. Triangle

Options :

- 485584138597. 1
- 485584138598. 2
- 485584138599. 3
- 485584138600. 4

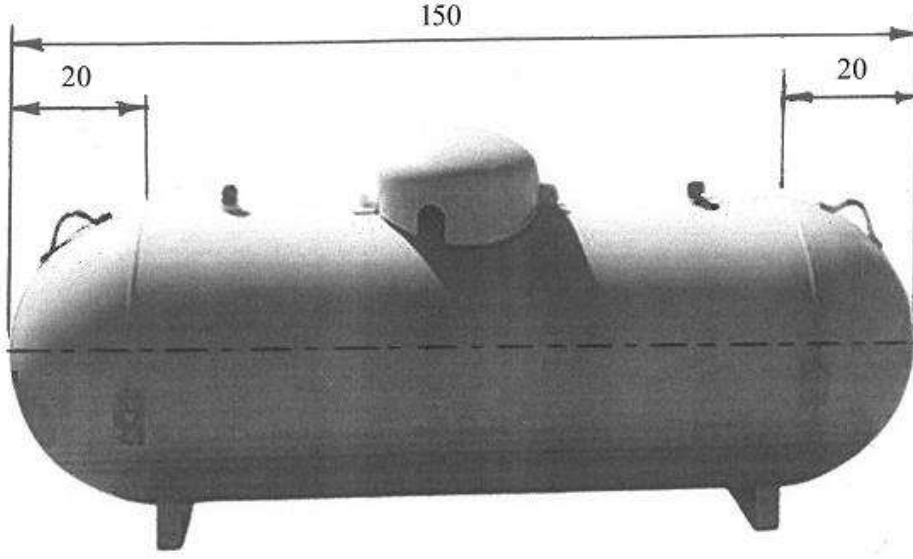
Question Number : 195 Question Id : 48558434650 Question Type : MCQ Option Shuffling : No Is Question Mandatory : No Calculator : None Response Time : N.A Think Time : N.A Minimum Instruction Time : 0

Correct Marks : 5 Wrong Marks : 1

Question Key Details :

Key	Value
Comprehension	Comp1

பத்தியை படித்து பின்வரும் வினாக்களுக்கு விடையளி:



ரோஹன் தனது தொழில்துறை சார் வருகையின்போது, தனது வகுப்பில் படித்தது போன்ற பல்வேறு துண்மங்களான ஒரு தொகுப்புடானான ஒரு சேமிப்புத்தொட்டியைக் கண்டான். தனது தொழில்துறைசார் வருகை அறிக்கையை தயாரிக்கும்போது, படம் பிடித்து, தொட்டியின் பரிமாணங்களை அளவிட்டும் தொழிற்சாலையில் பிற எந்திர பாகங்களையும் அளவிட்டான். அவனது அறிக்கையிலிருந்து எடுக்கப்பட்ட படம்(பரிமாணங்கள் மீட்டரில் கொடுக்கப்பட்டுள்ளது) இங்கு காட்டப்பட்டுள்ளது. தடிமன், தாங்கிகள், திறப்புகள் மற்றும் தொட்டியின் பிற பாகங்களை ஒதுக்கிவிட்டு பின்வரும் வினாக்களுக்கு விடையளி:

இந்த தொட்டியின் சமஅளவு வீழல் படத்தை வரையத் தேவைப்படும் 2D வரைபடம் என்பது _____

1. நீள்வட்டம்
2. ஐங்கோணம்
3. அறுங்கோணம்
4. முக்கோணம்

Options :

485584138597. 1
485584138598. 2
485584138599. 3
485584138600. 4

Sub-Section Number :

3

Sub-Section Id :

4855842535

Question Shuffling Allowed :

No

Is Section Default? :

null

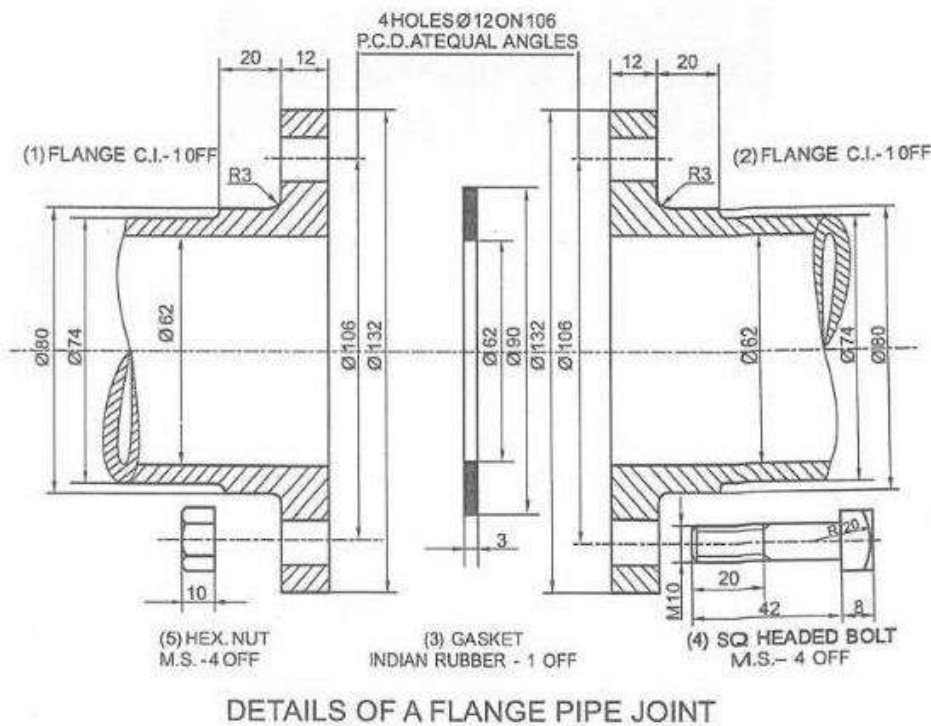
Question Number : 196 Question Id : 48558434651 Question Type : MCQ Option Shuffling : No Is Question Mandatory : No Calculator : None Response Time : N.A Think Time : N.A Minimum Instruction Time : 0

Correct Marks : 5 Wrong Marks : 1

Question Key Details :

Key	Value
Comprehension	Comp2

The given figure shows the disassembled part of a Flange Pipe Joint. Answer the following question based on this drawing:



_____ is the inner diameter of the Pipe from which liquid / gas has to flow.

1. 62 mm
2. 90 mm
3. 74 mm
4. 80 mm

Options :

- 485584138601. 1
- 485584138602. 2
- 485584138603. 3
- 485584138604. 4

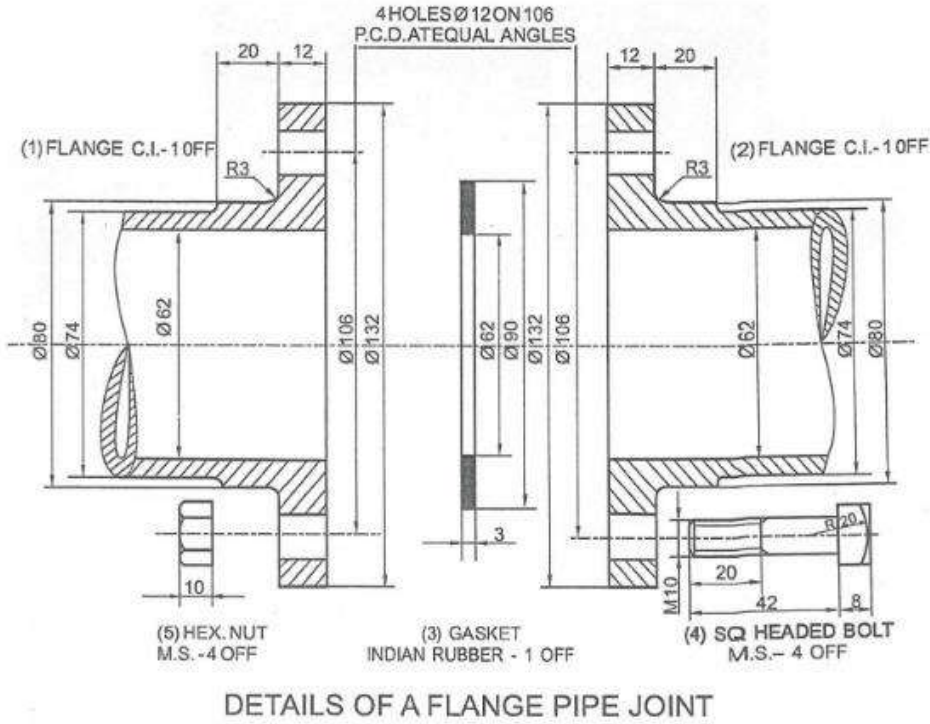
Question Number : 196 Question Id : 48558434651 Question Type : MCQ Option Shuffling : No Is Question Mandatory : No Calculator : None Response Time : N.A Think Time : N.A Minimum Instruction Time : 0

Correct Marks : 5 Wrong Marks : 1

Question Key Details :

Key	Value
Comprehension	Comp2

ஒரு சடைகுழாய் இணைப்பின் பிரித்தெடுக்கப்பட்ட பாகத்தை கொடுக்கப்பட்ட வரைபடம் காட்டுகிறது. இந்த வரைபடத்தின் அடிப்படையில் பின்வரும் வினாக்களுக்கு விடையளிக்கவும்:



திரவம்/வாயு பாய்வதற்கு என்ற குழாய்து உள்ளிட்டம் _____ mm

1. 62
2. 90
3. 74
4. 80

Options :

485584138601. 1
485584138602. 2
485584138603. 3
485584138604. 4

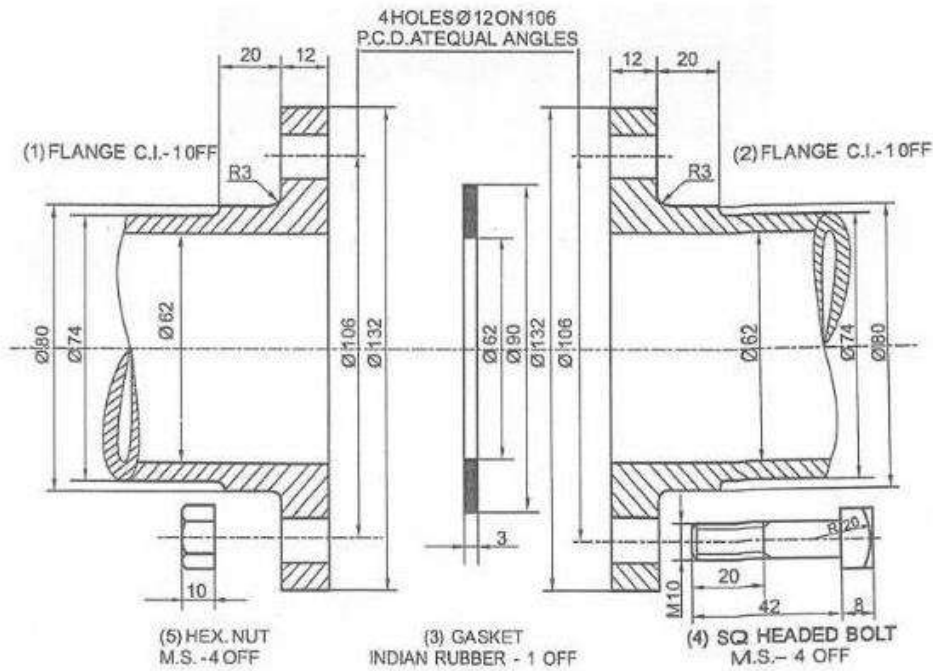
Question Number : 197 Question Id : 48558434652 Question Type : MCQ Option Shuffling : No Is Question Mandatory : No Calculator : None Response Time : N.A Think Time : N.A Minimum Instruction Time : 0

Correct Marks : 5 Wrong Marks : 1

Question Key Details :

Key	Value
Comprehension	Comp2

The given figure shows the disassembled part of a Flange Pipe Joint. Answer the following question based on this drawing:



DETAILS OF A FLANGE PIPE JOINT

Choose the **correct** statement for the Flange:

1. It is a projected semicircular rim.
2. It is made thinner than pipe-walls.
3. It attaches to a shaft.
4. It serves to hold the pipe in place.

Options :

- 485584138605. 1
- 485584138606. 2
- 485584138607. 3
- 485584138608. 4

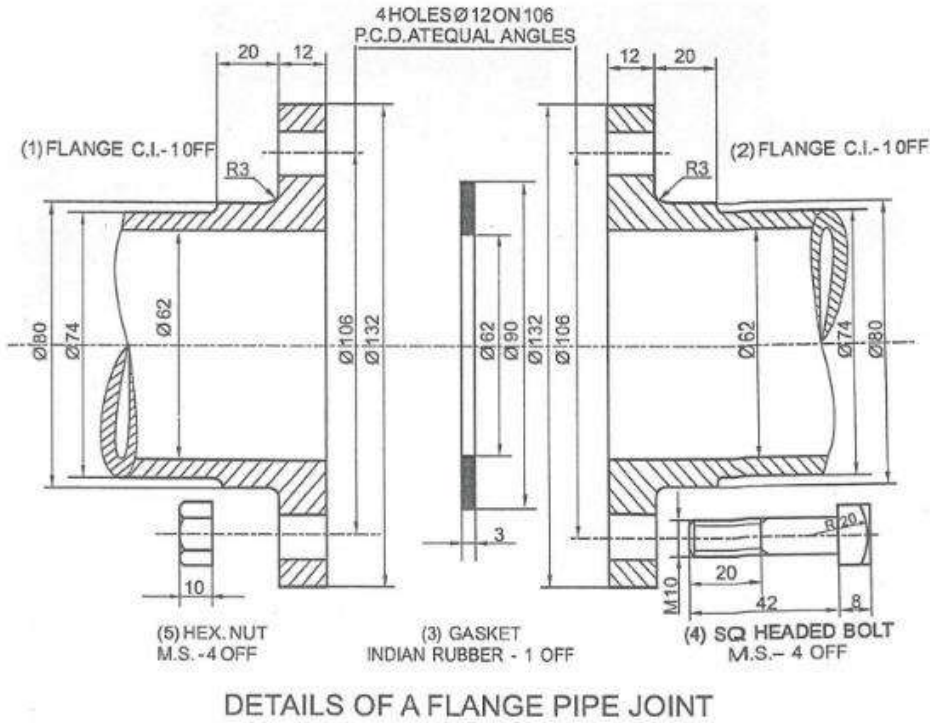
Question Number : 197 Question Id : 48558434652 Question Type : MCQ Option Shuffling : No Is Question Mandatory : No Calculator : None Response Time : N.A Think Time : N.A Minimum Instruction Time : 0

Correct Marks : 5 Wrong Marks : 1

Question Key Details :

Key	Value
Comprehension	Comp2

ஒரு சடைகுழாய் இணைப்பின் பிரித்தெடுக்கப்பட்ட பாகத்தை கொடுக்கப்பட்ட வரைபடம் காட்டுகிறது. இந்த வரைபடத்தின் அடிப்படையில் பின்வரும் வினாக்களுக்கு விடையளிக்கவும்:



சடை பற்றிய சரியான கூற்றை தெரிவு செய்க:

1. இது ஒரு மேலோங்கிய அரைவட்ட ஓரவிளிம்பு
2. குழாய் சுவரைக் காட்டிலும் இது மெல்லியதாக ஆக்கப்பட்டுள்ளது
3. இது ஒரு சுழல் அச்ச தண்டோடு இணைக்கப்பட்டுள்ளது
4. இது குழாயை ஓர் இடத்தில் பொறுத்த உதவுகிறது

Options :

- 485584138605. 1
- 485584138606. 2
- 485584138607. 3
- 485584138608. 4

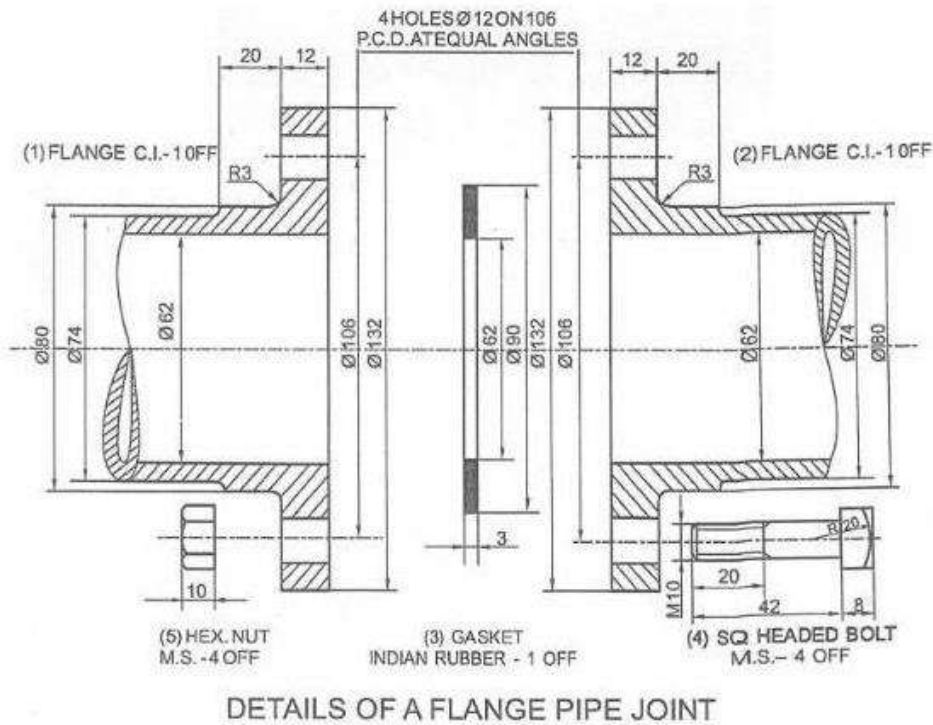
Question Number : 198 Question Id : 48558434653 Question Type : MCQ Option Shuffling : No Is Question Mandatory : No Calculator : None Response Time : N.A Think Time : N.A Minimum Instruction Time : 0

Correct Marks : 5 Wrong Marks : 1

Question Key Details :

Key	Value
Comprehension	Comp2

The given figure shows the disassembled part of a Flange Pipe Joint. Answer the following question based on this drawing:



External diameter of the rubber Gasket is:

1. 132 mm
2. 62 mm
3. 74 mm
4. 90 mm

Options :

485584138609. 1
485584138610. 2
485584138611. 3
485584138612. 4

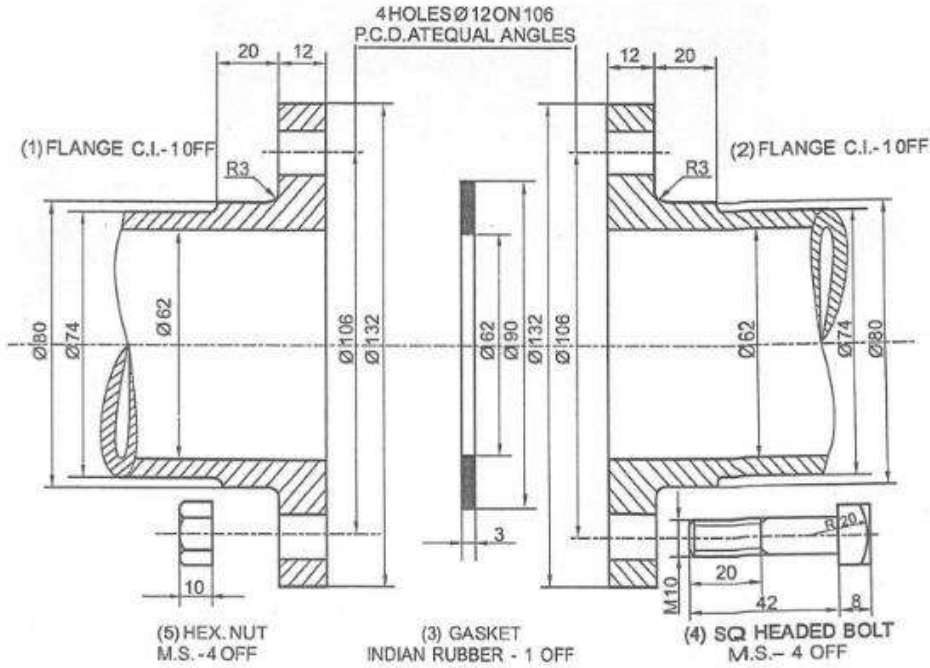
Question Number : 198 Question Id : 48558434653 Question Type : MCQ Option Shuffling : No Is Question Mandatory : No Calculator : None Response Time : N.A Think Time : N.A Minimum Instruction Time : 0

Correct Marks : 5 Wrong Marks : 1

Question Key Details :

Key	Value
Comprehension	Comp2

ஒரு சடைகுழாய் இணைப்பின் பிரித்தெடுக்கப்பட்ட பாகத்தை கொடுக்கப்பட்ட வரைபடம் காட்டுகிறது. இந்த வரைபடத்தின் அடிப்படையில் பின்வரும் வினாக்களுக்கு விடையளிக்கவும்:



DETAILS OF A FLANGE PIPE JOINT

இரப்பர் காஸ்கட்டது புற விட்டத்தின் மதிப்பு

1. 132 mm
2. 62 mm
3. 74 mm
4. 90 mm

Options :

485584138609. 1
485584138610. 2
485584138611. 3
485584138612. 4

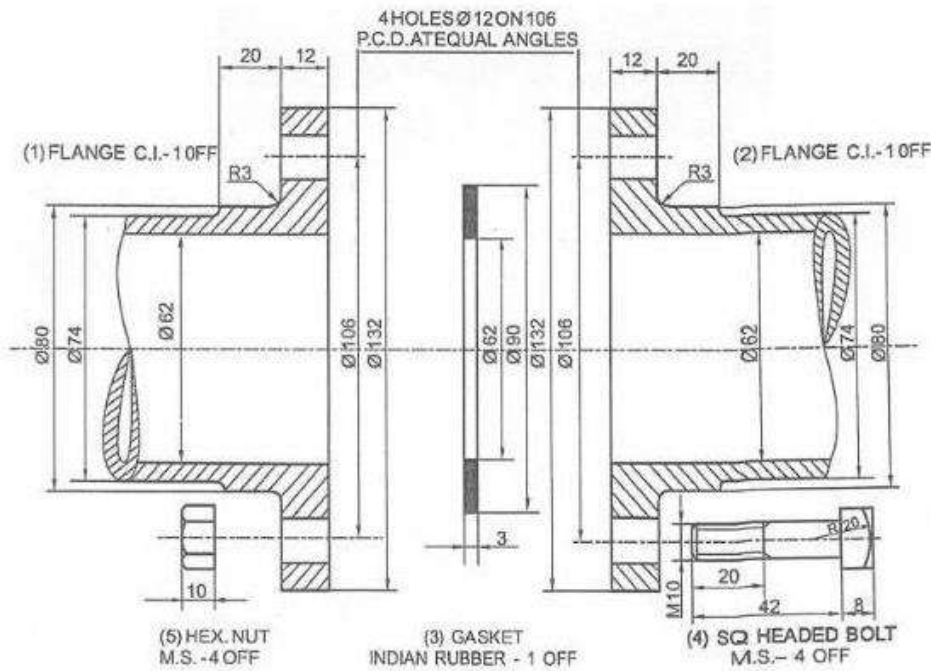
Question Number : 199 Question Id : 48558434654 Question Type : MCQ Option Shuffling : No Is Question Mandatory : No Calculator : None Response Time : N.A Think Time : N.A Minimum Instruction Time : 0

Correct Marks : 5 Wrong Marks : 1

Question Key Details :

Key	Value
Comprehension	Comp2

The given figure shows the disassembled part of a Flange Pipe Joint. Answer the following question based on this drawing:



DETAILS OF A FLANGE PIPE JOINT

C.I. stands for :

1. Closed Interior
2. Crest Index
3. Cast Iron
4. Counter Iron

Options :

- 485584138613. 1
- 485584138614. 2
- 485584138615. 3
- 485584138616. 4

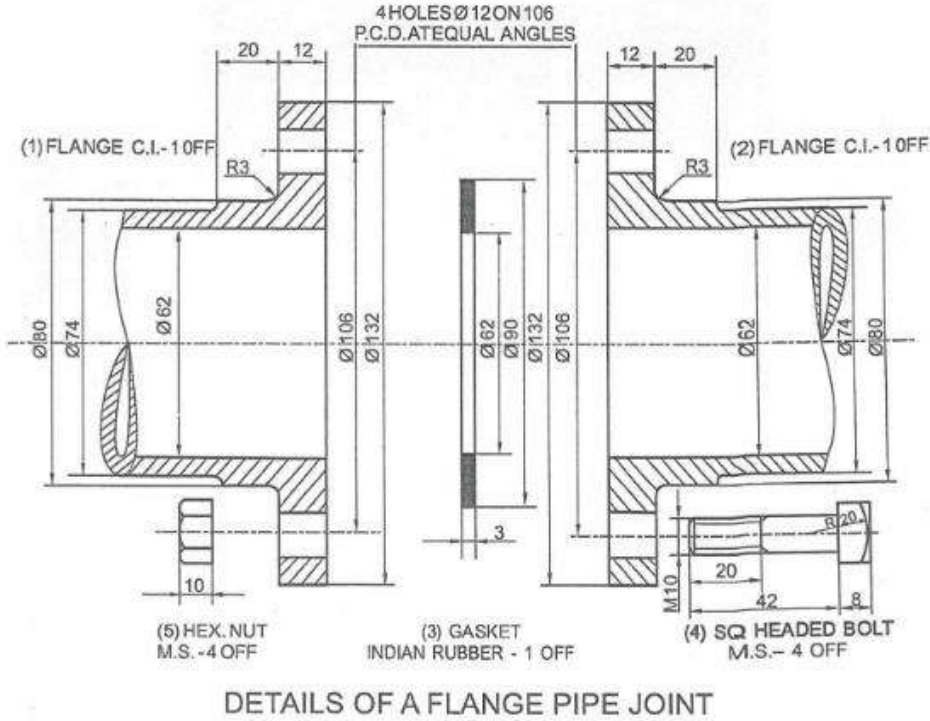
Question Number : 199 Question Id : 48558434654 Question Type : MCQ Option Shuffling : No Is Question Mandatory : No Calculator : None Response Time : N.A Think Time : N.A Minimum Instruction Time : 0

Correct Marks : 5 Wrong Marks : 1

Question Key Details :

Key	Value
Comprehension	Comp2

ஒரு சடைகுழாய் இணைப்பின் பிரித்தெடுக்கப்பட்ட பாகத்தை கொடுக்கப்பட்ட வரைபடம் காட்டுகிறது. இந்த வரைபடத்தின் அடிப்படையில் பின்வரும் வினாக்களுக்கு விடையளிக்கவும்:



C.I. என்பது இதைக் குறிக்கும்:

1. Closed Interior
2. Crest Index
3. Cast Iron
4. Counter Iron

Options :

- 485584138613. 1
- 485584138614. 2
- 485584138615. 3
- 485584138616. 4

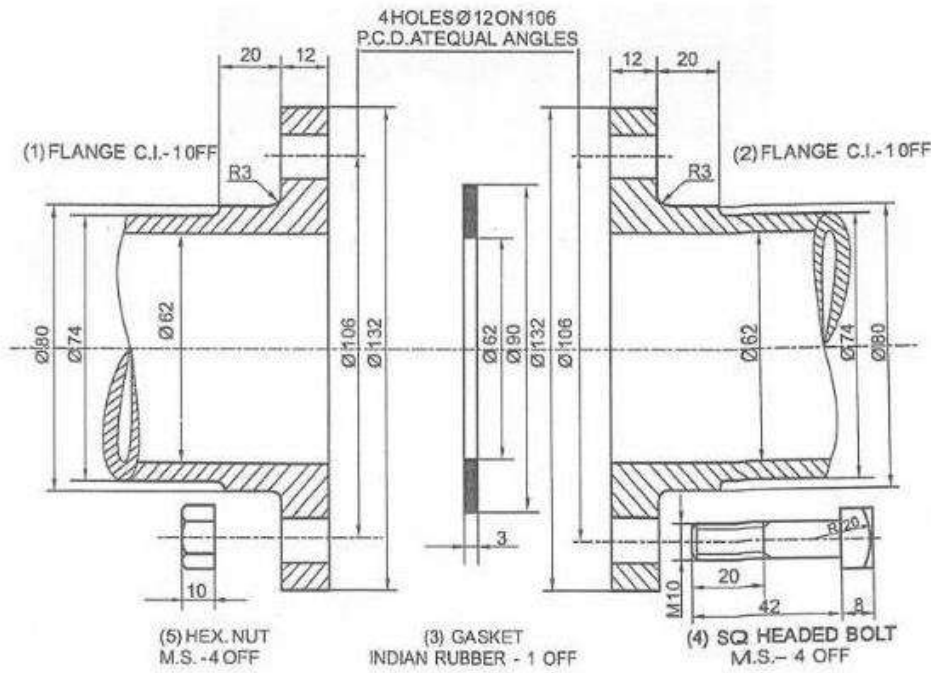
Question Number : 200 Question Id : 48558434655 Question Type : MCQ Option Shuffling : No Is Question Mandatory : No Calculator : None Response Time : N.A Think Time : N.A Minimum Instruction Time : 0

Correct Marks : 5 Wrong Marks : 1

Question Key Details :

Key	Value
Comprehension	Comp2

The given figure shows the disassembled part of a Flange Pipe Joint. Answer the following question based on this drawing:



DETAILS OF A FLANGE PIPE JOINT

The thickness of pipe walls can be increased when _____.

1. pressure is low
2. pressure is high
3. length of pipe has to be increased
4. length of pipe has to be decreased

Options :

- 485584138617. 1
- 485584138618. 2
- 485584138619. 3
- 485584138620. 4

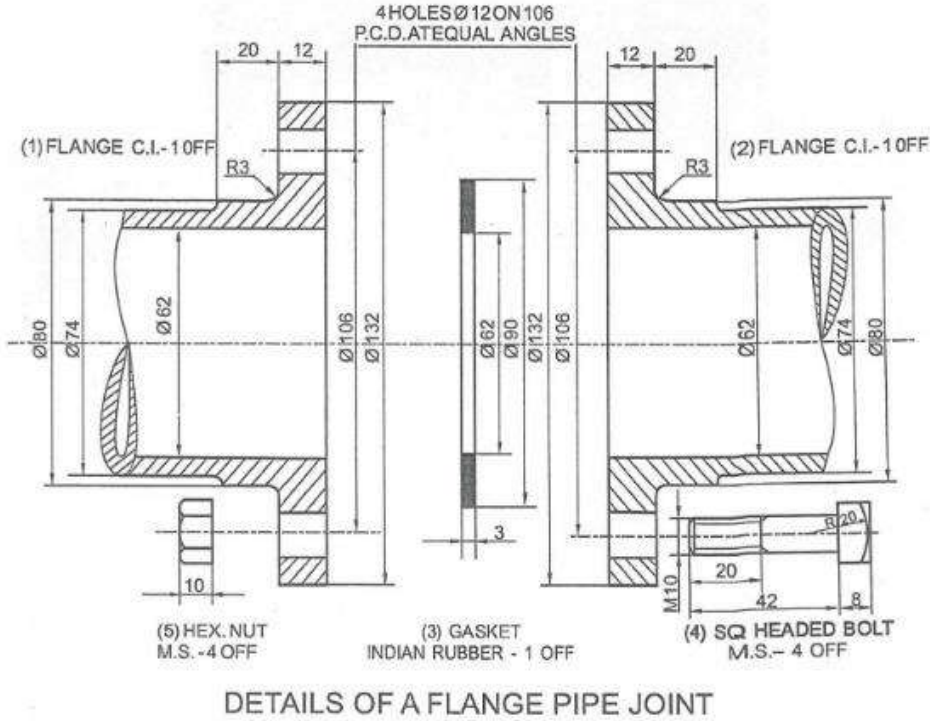
Question Number : 200 Question Id : 48558434655 Question Type : MCQ Option Shuffling : No Is Question Mandatory : No Calculator : None Response Time : N.A Think Time : N.A Minimum Instruction Time : 0

Correct Marks : 5 Wrong Marks : 1

Question Key Details :

Key	Value
Comprehension	Comp2

ஒரு சடைகுழாய் இணைப்பின் பிரித்தெடுக்கப்பட்ட பாகத்தை கொடுக்கப்பட்ட வரைபடம் காட்டுகிறது. இந்த வரைபடத்தின் அடிப்படையில் பின்வரும் வினாக்களுக்கு விடையளிக்கவும்:



குழாய் சுவரது தடிமனை அதிகரிக்க, _____

1. அழுத்தம் குறைவானதாக இருக்க வேண்டும்
2. அழுத்தம் அதிகமாக இருக்க வேண்டும்
3. குழாயது நீளம் அதிகரிக்கப்பட வேண்டும்
4. குழாயது நீளம் குறைக்கப்பட வேண்டும்

Options :

485584138617. 1
485584138618. 2
485584138619. 3
485584138620. 4

Geography

Group Number :	9
Group Id :	485584776
Group Maximum Duration :	45
Group Minimum Duration :	45
Show Attended Group? :	No
Edit Attended Group? :	No

Break time : 0
Group Marks : 200
Is this Group for Examiner? : No
Examiner permission : Cant View
Show Progress Bar? : No

Geography

Section Id : 485584894
Section Number : 1
Section type : Online
Mandatory or Optional : Mandatory
Number of Questions : 50
Number of Questions to be attempted : 40
Section Marks : 200
Enable Mark as Answered Mark for Review and Clear Response : Yes
Maximum Instruction Time : 0
Sub-Section Number : 1
Sub-Section Id : 4855842536
Question Shuffling Allowed : Yes
Is Section Default? : null

Question Number : 201 Question Id : 48558434056 Question Type : MCQ Option Shuffling : No Is Question Mandatory : No Calculator : None Response Time : N.A Think Time : N.A Minimum Instruction Time : 0

Correct Marks : 5 Wrong Marks : 1

Question Key Details :

Key	Value
Comprehension	MCQ

The concept neither there is a situation of absolute necessity nor absolute freedom is called :

1. Environmentalism
2. Probablism
3. Possibilism
4. Neo-determinism

Options :

485584136221. 1
485584136222. 2
485584136223. 3
485584136224. 4

Question Number : 202 Question Id : 48558434057 Question Type : MCQ Option Shuffling : No Is Question Mandatory : No Calculator : None Response Time : N.A Think Time : N.A Minimum Instruction Time : 0

Correct Marks : 5 Wrong Marks : 1

Question Key Details :

Key	Value
Comprehension	MCQ

Radical school approach in human geography is related to _____.

1. encyclo paetic description of the area
2. indentifying the Uniqueness of any region
3. indentifying mappable pattern for different human activities
4. explaining the basic cause of poverty and social inequality

Options :

- 485584136225. 1
- 485584136226. 2
- 485584136227. 3
- 485584136228. 4

Question Number : 203 Question Id : 48558434058 Question Type : MCQ Option Shuffling : No Is Question Mandatory : No Calculator : None Response Time : N.A Think Time : N.A Minimum Instruction Time : 0

Correct Marks : 5 Wrong Marks : 1

Question Key Details :

Key	Value
Comprehension	MCQ

Discontentment with quantitative revolution did not lead to the emergence of _____.

1. Humanistic school of geography
2. Radical Geography
3. Regional Geography
4. Behavioural Geography

Options :

- 485584136229. 1
- 485584136230. 2
- 485584136231. 3
- 485584136232. 4

Question Number : 204 Question Id : 48558434059 Question Type : MCQ Option Shuffling : No Is Question Mandatory : No Calculator : None Response Time : N.A Think Time : N.A Minimum Instruction Time : 0

Correct Marks : 5 Wrong Marks : 1

Question Key Details :

Key	Value
Comprehension	MCQ

_____ is a sub-field of social Geography.

1. Geography of Leisure
2. Geography of Resources
3. Geography of Tourism
4. Geography to Agriculture

Options :

485584136233. 1
485584136234. 2
485584136235. 3
485584136236. 4

Question Number : 205 Question Id : 48558434060 Question Type : MCQ Option Shuffling : No Is Question Mandatory : No Calculator : None Response Time : N.A Think Time : N.A Minimum Instruction Time : 0

Correct Marks : 5 Wrong Marks : 1

Question Key Details :

Key	Value
Comprehension	MCQ

Demographic Transition Theory can be used to describe and predict :

1. People participation in different categories of economic activities
2. Future population of an area
3. Gender based classification of population of an area
4. Working and depend and population of an area

Options :

485584136237. 1
485584136238. 2
485584136239. 3
485584136240. 4

Question Number : 206 Question Id : 48558434061 Question Type : MCQ Option Shuffling : No Is Question Mandatory : No Calculator : None Response Time : N.A Think Time : N.A Minimum Instruction Time : 0

Correct Marks : 5 Wrong Marks : 1

Question Key Details :

Key	Value
Comprehension	MCQ

Which programme was introduced by the Government of India to address the issue of decline in child sex ratio?

1. Beti Bachao Beti Padhao
2. Beti Samjhao Beto Padhao
3. Beti Samjhao Beti Bachao
4. Beti Batao Beti Badhao

Options :

485584136241. 1
485584136242. 2
485584136243. 3
485584136244. 4

Question Number : 207 Question Id : 48558434062 Question Type : MCQ Option Shuffling : No Is Question Mandatory : No Calculator : None Response Time : N.A Think Time : N.A Minimum Instruction Time : 0

Correct Marks : 5 Wrong Marks : 1

Question Key Details :

Key	Value
Comprehension	MCQ

International Labour Organisation (ILO) proposed _____ for human development measurement.

1. basic needs approach
2. income approach
3. welfare approach
4. capability approach

Options :

485584136245. 1
485584136246. 2
485584136247. 3
485584136248. 4

Question Number : 208 Question Id : 48558434063 Question Type : MCQ Option Shuffling : No Is Question Mandatory : No Calculator : None Response Time : N.A Think Time : N.A Minimum Instruction Time : 0

Correct Marks : 5 Wrong Marks : 1

Question Key Details :

Key	Value
Comprehension	MCQ

The process of migration from plain areas to pastures on mountain during summers and again from mountain pastures to plain areas during winter is known as _____.

1. immigration
2. migration
3. transhumance
4. emigration

Options :

485584136249. 1
485584136250. 2
485584136251. 3
485584136252. 4

Question Number : 209 Question Id : 48558434064 Question Type : MCQ Option Shuffling : No Is Question Mandatory : No Calculator : None Response Time : N.A Think Time : N.A Minimum Instruction Time : 0

Correct Marks : 5 Wrong Marks : 1

Question Key Details :

Key	Value
Comprehension	MCQ

'Chicago-Gary' is a major industrial region of _____.

1. Europe
2. Australia
3. Canada
4. United States of America

Options :

485584136253. 1
485584136254. 2
485584136255. 3
485584136256. 4

Question Number : 210 Question Id : 48558434065 Question Type : MCQ Option Shuffling : No Is Question Mandatory : No Calculator : None Response Time : N.A Think Time : N.A Minimum Instruction Time : 0

Correct Marks : 5 Wrong Marks : 1

Question Key Details :

Key	Value
Comprehension	MCQ

Which of the following sea route is called as Big Trunk Route ?

1. North Pacific Sea Route
2. Northen Atlantic Sea Route
3. Cape of Good Hope Sea Route
4. Southern Atlantic Sea Route

Options :

- 485584136257. 1
- 485584136258. 2
- 485584136259. 3
- 485584136260. 4

Question Number : 211 Question Id : 48558434066 Question Type : MCQ Option Shuffling : No Is Question Mandatory : No Calculator : None Response Time : N.A Think Time : N.A Minimum Instruction Time : 0

Correct Marks : 5 Wrong Marks : 1

Question Key Details :

Key	Value
Comprehension	MCQ

Which of the following country has the highest density of rail network ?

1. Africa
2. Canada
3. Asia
4. Australia

Options :

- 485584136261. 1
- 485584136262. 2
- 485584136263. 3
- 485584136264. 4

Question Number : 212 Question Id : 48558434067 Question Type : MCQ Option Shuffling : No Is Question Mandatory : No Calculator : None Response Time : N.A Think Time : N.A Minimum Instruction Time : 0

Correct Marks : 5 Wrong Marks : 1

Question Key Details :

Key	Value
Comprehension	MCQ

The Union of Conurbations is called _____.

1. Megopolis
2. Conurbation
3. Metropolitan
4. Million City

Options :

485584136265. 1
485584136266. 2
485584136267. 3
485584136268. 4

Question Number : 213 Question Id : 48558434068 Question Type : MCQ Option Shuffling : No Is Question Mandatory : No Calculator : None Response Time : N.A Think Time : N.A Minimum Instruction Time : 0

Correct Marks : 5 Wrong Marks : 1

Question Key Details :

Key	Value
Comprehension	MCQ

Arrange the following regions in ascending order according to growth rate of population (2010-15).

- A. Oceania
- B. Europe
- C. Asia
- D. Africa

Choose the correct answer from the options given below :

1. (B), (C), (A), (D)
2. (B), (A), (C), (D)
3. (B), (D), (A), (C)
4. (A), (B), (C), (D)

Options :

485584136269. 1
485584136270. 2
485584136271. 3
485584136272. 4

Question Number : 214 Question Id : 48558434069 Question Type : MCQ Option Shuffling : No Is Question Mandatory : No Calculator : None Response Time : N.A Think Time : N.A Minimum Instruction Time : 0

Correct Marks : 5 Wrong Marks : 1

Question Key Details :

Key	Value
Comprehension	MCQ

Arrange the following stations of Trans Siberian Railway from East to West direction.

- A. Chita
- B. Vladivostak
- C. Moscow
- D. Omsk

Choose the correct answer from the options given below :

1. (A), (B), (C), (D)
2. (B), (A), (D), (C)
3. (B), (A), (C), (D)
4. (A), (B), (C), (D)

Options :

- 485584136273. 1
- 485584136274. 2
- 485584136275. 3
- 485584136276. 4

Question Number : 215 Question Id : 48558434070 Question Type : MCQ Option Shuffling : No Is Question Mandatory : No Calculator : None Response Time : N.A Think Time : N.A Minimum Instruction Time : 0

Correct Marks : 5 Wrong Marks : 1

Question Key Details :

Key	Value
Comprehension	MCQ

Arrange the following mega cities of the world in descending order according to population (2016).

- A. Shanghai
- B. Beijing
- C. Sao Paulo
- D. Tokyo

Choose the correct answer from the options given below :

1. (D), (A), (C), (B)
2. (D), (A), (B), (C)
3. (A), (D), (B), (C)
4. (A), (D), (C), (B)

Options :

- 485584136277. 1
- 485584136278. 2
- 485584136279. 3
- 485584136280. 4

Question Number : 216 Question Id : 48558434071 Question Type : MCQ Option Shuffling : No Is Question Mandatory : No Calculator : None Response Time : N.A Think Time : N.A Minimum Instruction Time : 0

Correct Marks : 5 Wrong Marks : 1

Question Key Details :

Key	Value
Comprehension	MCQ

Read the following statements about demographic transition theory carefully :

- A. The first stage has high fertility and high mortality
- B. Fertility remains high in beginning of second stage
- C. In the last stage both fertility and mortality declined considerably
- D. This theory cannot be used to describe and predict the future population of any area

Choose the correct answer from the options given below :

- 1. (A), (B), (C) only
- 2. (A), (B), (D) only
- 3. (A), (C), (D) only
- 4. (B), (C), (D) only

Options :

- 485584136281. 1
- 485584136282. 2
- 485584136283. 3
- 485584136284. 4

Question Number : 217 Question Id : 48558434072 Question Type : MCQ Option Shuffling : No Is Question Mandatory : No Calculator : None Response Time : N.A Think Time : N.A Minimum Instruction Time : 0

Correct Marks : 5 Wrong Marks : 1

Question Key Details :

Key	Value
Comprehension	MCQ

Identify the characteristics of compact or nucleated settlements :

- A. Houses are built very close to each other.
- B. Communities share common occupation.
- C. Mainly found in fertile plains.
- D. Houses are interspersed with fields.

Choose the correct answer from the options given below :

- 1. (A), (B), (D) only
- 2. (A), (C), (D) only
- 3. (B), (C), (D) only
- 4. (A), (B), (C) only

Options :

485584136285. 1
 485584136286. 2
 485584136287. 3
 485584136288. 4

Question Number : 218 Question Id : 48558434073 Question Type : MCQ Option Shuffling : No Is Question Mandatory : No Calculator : None Response Time : N.A Think Time : N.A Minimum Instruction Time : 0

Correct Marks : 5 Wrong Marks : 1

Question Key Details :

Key	Value
Comprehension	MCQ

Match List I with List II

LIST I (Concept)		LIST II (Definition)	
A.	Density of population	I.	The working population participation in various occupations
B.	Sex Ratio	II.	Numbers of people in different age groups
C.	Age structure	III.	Ratio between the number of women and men
D.	Occupational Structure	IV.	Ratio between the numbers of people to size of land

Choose the correct answer from the options given below:

1. (A)-(IV), (B)-(III), (C)-(II), (D)-(I)
2. (A)-(IV), (B)-(II), (C)-(III), (D)-(I)
3. (A)-(I), (B)-(II), (C)-(IV), (D)-(III)
4. (A)-(IV), (B)-(I), (C)-(III), (D)-(II)

Options :

485584136289. 1
 485584136290. 2
 485584136291. 3
 485584136292. 4

Question Number : 219 Question Id : 48558434074 Question Type : MCQ Option Shuffling : No Is Question Mandatory : No Calculator : None Response Time : N.A Think Time : N.A Minimum Instruction Time : 0

Correct Marks : 5 Wrong Marks : 1

Question Key Details :

Key	Value
Comprehension	MCQ

Match List I with List II

LIST I (Trains Continental Railways)		LIST II (Stations)	
A.	Trans-Siberian Railways	I.	Perth to Sydney
B.	Tran-Canadian Railways	II.	St. Petersburg to Vladivostok
C.	The Union and Pacific Railways	III.	New York to San Francisco
D.	The Australian Trans-continental Railways	IV.	Halifax to Vancouver

Choose the correct answer from the options given below:

1. (A)-(II), (B)-(I), (C)-(IV), (D)-(III)
2. (A)-(II), (B)-(IV), (C)-(III), (D)-(I)
3. (A)-(II), (B)-(III), (C)-(IV), (D)-(I)
4. (A)-(IV), (B)-(III), (C)-(I), (D)-(II)

Options :

485584136293. 1
485584136294. 2
485584136295. 3
485584136296. 4

Question Number : 220 Question Id : 48558434075 Question Type : MCQ Option Shuffling : No Is Question Mandatory : No Calculator : None Response Time : N.A Think Time : N.A Minimum Instruction Time : 0

Correct Marks : 5 Wrong Marks : 1

Question Key Details :

Key	Value
Comprehension	MCQ

Match List I with List II

LIST I (Aspects of International Trade)		LIST II (Characteristics)	
A.	Multi-lateral Trade	I.	Trade is done by two countries with each other
B.	Volume of Trade	II.	The nature of goods and services imported and exported by countries
C.	Composition of Trade	III.	Trade is conducted with many trading countries
D.	Bilateral Trade	IV.	The total value of goods and services traded

Choose the correct answer from the options given below:

1. (A)-(III), (B)-(IV), (C)-(I), (D)-(II)
2. (A)-(III), (B)-(IV), (C)-(II), (D)-(I)
3. (A)-(III), (B)-(II), (C)-(IV), (D)-(I)
4. (A)-(IV), (B)-(II), (C)-(III), (D)-(I)

Options :

485584136297. 1
485584136298. 2
485584136299. 3
485584136300. 4

Question Number : 221 Question Id : 48558434076 Question Type : MCQ Option Shuffling : No Is Question Mandatory : No Calculator : None Response Time : N.A Think Time : N.A Minimum Instruction Time : 0

Correct Marks : 5 Wrong Marks : 1

Question Key Details :

Key	Value
Comprehension	MCQ

According to 2011, the highest population density is recorded in _____

1. West Bengal
2. Kerala
3. Bihar
4. Uttar Pradesh

Options :

485584136301. 1
485584136302. 2
485584136303. 3
485584136304. 4

Question Number : 222 Question Id : 48558434077 Question Type : MCQ Option Shuffling : No Is Question Mandatory : No Calculator : None Response Time : N.A Think Time : N.A Minimum Instruction Time : 0

Correct Marks : 5 Wrong Marks : 1

Question Key Details :

Key	Value
Comprehension	MCQ

Both the birth rate and death rate were high in India during _____.

1. 1901 - 1921
2. 1921 - 1951
3. 1951 - 1981
4. After 1981

Options :

- 485584136305. 1
- 485584136306. 2
- 485584136307. 3
- 485584136308. 4

Question Number : 223 Question Id : 48558434078 Question Type : MCQ Option Shuffling : No Is Question Mandatory : No Calculator : None Response Time : N.A Think Time : N.A Minimum Instruction Time : 0

Correct Marks : 5 Wrong Marks : 1

Question Key Details :

Key	Value
Comprehension	MCQ

Arunachal Pradesh is dominated by the speakers of _____ family of Indian language.

1. Austric
2. Dravidian
3. Sino-Tibetan
4. Indo-European

Options :

- 485584136309. 1
- 485584136310. 2
- 485584136311. 3
- 485584136312. 4

Question Number : 224 Question Id : 48558434079 Question Type : MCQ Option Shuffling : No Is Question Mandatory : No Calculator : None Response Time : N.A Think Time : N.A Minimum Instruction Time : 0

Correct Marks : 5 Wrong Marks : 1

Question Key Details :

Key	Value
Comprehension	MCQ

The Agenda - 21 Report of the Rio Conference was published in _____.

1. 1972
2. 1974
3. 1987
4. 1993

Options :

- 485584136313. 1
- 485584136314. 2
- 485584136315. 3
- 485584136316. 4

Question Number : 225 Question Id : 48558434080 Question Type : MCQ Option Shuffling : No Is Question Mandatory : No Calculator : None Response Time : N.A Think Time : N.A Minimum Instruction Time : 0

Correct Marks : 5 Wrong Marks : 1

Question Key Details :

Key	Value
Comprehension	MCQ

Which one of the following is a garrison contonment town ?

1. Chandigarh
2. Satna
3. Raniganj
4. Udhampur

Options :

- 485584136317. 1
- 485584136318. 2
- 485584136319. 3
- 485584136320. 4

Question Number : 226 Question Id : 48558434081 Question Type : MCQ Option Shuffling : No Is Question Mandatory : No Calculator : None Response Time : N.A Think Time : N.A Minimum Instruction Time : 0

Correct Marks : 5 Wrong Marks : 1

Question Key Details :

Key	Value
Comprehension	MCQ

A population size of 5000 - 9,999 is put into which class of town according to 2011 census of India ?

1. Class – III
2. Class – IV
3. Class – V
4. Class – VI

Options :

- 485584136321. 1
- 485584136322. 2
- 485584136323. 3
- 485584136324. 4

Question Number : 227 Question Id : 48558434082 Question Type : MCQ Option Shuffling : No Is Question Mandatory : No Calculator : None Response Time : N.A Think Time : N.A Minimum Instruction Time : 0

Correct Marks : 5 Wrong Marks : 1

Question Key Details :

Key	Value
Comprehension	MCQ

Which one of the following minerals is mainly used in the electrical and electronic industries ?

1. Graphite
2. Mica
3. Manganese
4. Bauxite

Options :

- 485584136325. 1
- 485584136326. 2
- 485584136327. 3
- 485584136328. 4

Question Number : 228 Question Id : 48558434083 Question Type : MCQ Option Shuffling : No Is Question Mandatory : No Calculator : None Response Time : N.A Think Time : N.A Minimum Instruction Time : 0

Correct Marks : 5 Wrong Marks : 1

Question Key Details :

Key	Value
Comprehension	MCQ

Which of the following energy plant has been commissioned at Manikaran ?

1. Wind Energy
2. Bio Energy
3. Solar Energy
4. Geothermal Energy

Options :

485584136329. 1
485584136330. 2
485584136331. 3
485584136332. 4

Question Number : 229 Question Id : 48558434084 Question Type : MCQ Option Shuffling : No Is Question Mandatory : No Calculator : None Response Time : N.A Think Time : N.A Minimum Instruction Time : 0

Correct Marks : 5 Wrong Marks : 1

Question Key Details :

Key	Value
Comprehension	MCQ

Which steel plant in India has a supply of iron ore from Noamundi, coal from Joda mines, and water from Kharkai river ?

1. Indian Iron and Steel Company (IISCO)
2. Tata Iron and Steel Company (TISCO)
3. Visvesvaraiya Iron and Steel Works Ltd. (VISL)
4. Rourkela Steel Plant

Options :

485584136333. 1
485584136334. 2
485584136335. 3
485584136336. 4

Question Number : 230 Question Id : 48558434085 Question Type : MCQ Option Shuffling : No Is Question Mandatory : No Calculator : None Response Time : N.A Think Time : N.A Minimum Instruction Time : 0

Correct Marks : 5 Wrong Marks : 1

Question Key Details :

Key	Value
Comprehension	MCQ

India was famous worldwide for the production of a very fine variety of cotton cloth ?Which of the following was that ?

1. Chanderi
2. Khadi
3. Muslin
4. Lahori

Options :

485584136337. 1
485584136338. 2
485584136339. 3
485584136340. 4

Question Number : 231 Question Id : 48558434086 Question Type : MCQ Option Shuffling : No Is Question Mandatory : No Calculator : None Response Time : N.A Think Time : N.A Minimum Instruction Time : 0

Correct Marks : 5 Wrong Marks : 1

Question Key Details :

Key	Value
Comprehension	MCQ

The length of first railway run between Bombay and Thane was _____.

1. 32 km
2. 34 km
3. 36 km
4. 38 km

Options :

485584136341. 1
485584136342. 2
485584136343. 3
485584136344. 4

Question Number : 232 Question Id : 48558434087 Question Type : MCQ Option Shuffling : No Is Question Mandatory : No Calculator : None Response Time : N.A Think Time : N.A Minimum Instruction Time : 0

Correct Marks : 5 Wrong Marks : 1

Question Key Details :

Key	Value
Comprehension	MCQ

Which one of the following is the cause of intestinal worms ?

1. Water Pollution
2. Air Pollution
3. Noise Pollution
4. Land Pollution

Options :

485584136345. 1
485584136346. 2
485584136347. 3
485584136348. 4

Question Number : 233 Question Id : 48558434088 Question Type : MCQ Option Shuffling : No Is Question Mandatory : No Calculator : None Response Time : N.A Think Time : N.A Minimum Instruction Time : 0

Correct Marks : 5 Wrong Marks : 1

Question Key Details :

Key	Value
Comprehension	MCQ

By 2050, an estimated _____ of the world's population will live in Urban areas.

1. one-third
2. two-third
3. half
4. three-fourth

Options :

485584136349. 1
485584136350. 2
485584136351. 3
485584136352. 4

Question Number : 234 Question Id : 48558434089 Question Type : MCQ Option Shuffling : No Is Question Mandatory : No Calculator : None Response Time : N.A Think Time : N.A Minimum Instruction Time : 0

Correct Marks : 5 Wrong Marks : 1

Question Key Details :

Key	Value
Comprehension	MCQ

Arrange the following oil refineries of India from north to south direction.

- A. Mangaluru
- B. Haldia
- C. Kochchi
- D. Tatipaka

Choose the correct answer from the options given below :

1. (D), (A), (B), (C)
2. (D), (B), (A), (C)
3. (B), (D), (A), (C)
4. (B), (D), (C), (A)

Options :

- 485584136353. 1
- 485584136354. 2
- 485584136355. 3
- 485584136356. 4

Question Number : 235 Question Id : 48558434090 Question Type : MCQ Option Shuffling : No Is Question Mandatory : No Calculator : None Response Time : N.A Think Time : N.A Minimum Instruction Time : 0

Correct Marks : 5 Wrong Marks : 1

Question Key Details :

Key	Value
Comprehension	MCQ

Arrange the following software technology parks of India from West to East direction.

- A. Delhi
- B. Kanpur
- C. Kolkata
- D. Gandhinagar

Choose the correct answer from the options given below :

1. (D), (A), (C), (B)
2. (D), (C), (B), (A)
3. (D), (A), (B), (C)
4. (A), (D), (B), (C)

Options :

- 485584136357. 1
- 485584136358. 2
- 485584136359. 3
- 485584136360. 4

Question Number : 236 Question Id : 48558434091 Question Type : MCQ Option Shuffling : No Is Question Mandatory : No Calculator : None Response Time : N.A Think Time : N.A Minimum Instruction Time : 0

Correct Marks : 5 Wrong Marks : 1

Question Key Details :

Key	Value
Comprehension	MCQ

Read the following statements about rice crop in India carefully.

- A. It is considered to be a crop of tropical humid areas.
- B. Rice cultivation in the irrigated areas of Punjab and Haryana was introduced in 1950s.
- C. In West Bengal farmers grow three crops of rice.
- D. India was the second largest producer of rice in 2018.

Choose the correct answer from the options given below :

- 1. (A), (B) and (C) only
- 2. (A), (C) and (D) only
- 3. (B), (C) and (D) only
- 4. (A), (B) and (D) only

Options :

- 485584136361. 1
- 485584136362. 2
- 485584136363. 3
- 485584136364. 4

Question Number : 237 Question Id : 48558434092 Question Type : MCQ Option Shuffling : No Is Question Mandatory : No Calculator : None Response Time : N.A Think Time : N.A Minimum Instruction Time : 0

Correct Marks : 5 Wrong Marks : 1

Question Key Details :

Key	Value
Comprehension	MCQ

Read the following statements about tea Crop in India carefully.

- A. Tea is a plantation crop
- B. Tea leaves have rich content of caffeine and tannin
- C. Tea is an indigenous crop of India
- D. It is grown our undulating topography of hilly area

Choose the correct answer from the options given below :

- 1. (A), (B) and (C) only
- 2. (A), (B) and (D) only
- 3. (A), (C) and (D) only
- 4. (B), (C) and (D) only

Options :

485584136365. 1
485584136366. 2
485584136367. 3
485584136368. 4

Question Number : 238 Question Id : 48558434093 Question Type : MCQ Option Shuffling : No Is Question Mandatory : No Calculator : None Response Time : N.A Think Time : N.A Minimum Instruction Time : 0

Correct Marks : 5 Wrong Marks : 1

Question Key Details :

Key	Value
Comprehension	MCQ

Read the following statements about Coal deposit in India carefully.

- A. About 80 per cent of the coal deposit in India is lignite type.
- B. The most important Gondwans Coal fields of India are located in Damodar Valley.
- C. Tharia is the largest coal field of India.
- D. Korba coal mining centre is located in West Bengal

Choose the correct answer from the options given below :

- 1. (A), (B) and (C) only
- 2. (A), (C) and (D) only
- 3. (A), (B) and (D) only
- 4. (B), (C) and (D) only

Options :

485584136369. 1
485584136370. 2
485584136371. 3
485584136372. 4

Question Number : 239 Question Id : 48558434094 Question Type : MCQ Option Shuffling : No Is Question Mandatory : No Calculator : None Response Time : N.A Think Time : N.A Minimum Instruction Time : 0

Correct Marks : 5 Wrong Marks : 1

Question Key Details :

Key	Value
Comprehension	MCQ

Match List I with List II

LIST I (State)		LIST II (Total Literacy Rate 2011)	
A.	Bihar	I.	69.72
B.	Kerala	II.	87.40
C.	Goa	III.	93.91
D.	Uttar Pradesh	IV.	63.82

Choose the correct answer from the options given below:

1. (A)-(I), (B)-(II), (C)-(III), (D)-(IV)
2. (A)-(II), (B)-(IV), (C)-(I), (D)-(III)
3. (A)-(IV), (B)-(III), (C)-(II), (D)-(I)
4. (A)-(I), (B)-(III), (C)-(II), (D)-(IV)

Options :

485584136373. 1
485584136374. 2
485584136375. 3
485584136376. 4

Question Number : 240 Question Id : 48558434095 Question Type : MCQ Option Shuffling : No Is Question Mandatory : No Calculator : None Response Time : N.A Think Time : N.A Minimum Instruction Time : 0

Correct Marks : 5 Wrong Marks : 1

Question Key Details :

Key	Value
Comprehension	MCQ

Match List I with List II

LIST I (Types to town)		LIST II (Examples)	
A.	Ancient Town	I.	Nagpur
B.	Medieval Town	II.	Gandhinagar
C.	Modern Town	III.	Madurai
D.	After Independence Town	IV.	Surat

Choose the correct answer from the options given below:

1. (A)-(III), (B)-(I), (C)-(II), (D)-(IV)
2. (A)-(I), (B)-(II), (C)-(IV), (D)-(III)
3. (A)-(III), (B)-(I), (C)-(IV), (D)-(II)
4. (A)-(I), (B)-(IV), (C)-(III), (D)-(II)

Options :

485584136377. 1
 485584136378. 2
 485584136379. 3
 485584136380. 4

Sub-Section Number : 2
Sub-Section Id : 4855842537
Question Shuffling Allowed : No
Is Section Default? : null

Question Number : 241 Question Id : 48558434096 Question Type : MCQ Option Shuffling : No Is Question Mandatory : No Calculator : None Response Time : N.A Think Time : N.A Minimum Instruction Time : 0 Correct Marks : 5 Wrong Marks : 1

Question Key Details :

Key	Value
Comprehension	Comp1

Read the given passage carefully and answer following question .

The Ruhr Coal field of Germany has been one of the major industrial regions of Europe for a long time. Coal and iron and steel formed the basis of the economy, but as the demand for coal declined, the industry started shrinking. Even after the iron ore was exhausted, the industry remained, using imported ore brought by waterways to the Ruhr.

The Ruhr region is responsible for 80 per cent of Germany's total steel production. Changes in the industrial structure have led to the decay of some areas, and there are problems of industrial waste and pollution. The future prosperity of the Ruhr is based less on the products of coal and steel, for which it was initially famous, and more on the new industries like the huge Opel car assembly plant, new chemical plants, universities. Out-of-town shopping centres have appeared resulting in a 'New Ruhr' landscape.

The iron and steel industry forms the base of all other industries and, therefore, it is called a basic industry. It is basic because it provides raw material for other industries such as machine tools used for further production. It may also be called a heavy industry because it uses large quantities of bulky raw materials and its products are also heavy.

Iron is extracted from iron ore by smelting in a blast furnace with carbon (coke) and limestone. The molten iron is cooled and moulded to form pig iron which is used for converting into steel by adding strengthening materials manganese.

_____ and _____ formed the basis of the economy Ruhr region.

1. Coal, Petrochemical
2. Iron and Steel, coal
3. Iron and Steel, Cotton textile
4. Cotton textile and Petrochemical

Options :

485584136381. 1
 485584136382. 2
 485584136383. 3
 485584136384. 4

Question Number : 242 Question Id : 48558434097 Question Type : MCQ Option Shuffling : No Is Question Mandatory : No Calculator : None Response Time : N.A Think Time : N.A Minimum Instruction Time : 0

Correct Marks : 5 Wrong Marks : 1

Question Key Details :

Key	Value
Comprehension	Comp1

Read the given passage carefully and answer following question .

The Ruhr Coal field of Germany has been one of the major industrial regions of Europe for a long time. Coal and iron and steel formed the basis of the economy, but as the demand for coal declined, the industry started shrinking. Even after the iron ore was exhausted, the industry remained, using imported ore brought by waterways to the Ruhr.

The Ruhr region is responsible for 80 per cent of Germany's total steel production. Changes in the industrial structure have led to the decay of some areas, and there are problems of industrial waste and pollution. The future prosperity of the Ruhr is based less on the products of coal and steel, for which it was initially famous, and more on the new industries like the huge Opel car assembly plant, new chemical plants, universities. Out-of-town shopping centres have appeared resulting in a 'New Ruhr' landscape.

The iron and steel industry forms the base of all other industries and, therefore, it is called a basic industry. It is basic because it provides raw material for other industries such as machine tools used for further production. It may also be called a heavy industry because it uses large quantities of bulky raw materials and its products are also heavy.

Iron is extracted from iron ore by smelting in a blast furnace with carbon (coke) and limestone. The molten iron is cooled and moulded to form pig iron which is used for converting into steel by adding strengthening materials manganese.

Ruhr region contribute _____ of Germany's total steel production.

1. 73%
2. 77%
3. 80%
4. 83%

Options :

485584136385. 1
485584136386. 2
485584136387. 3
485584136388. 4

Question Number : 243 Question Id : 48558434098 Question Type : MCQ Option Shuffling : No Is Question Mandatory : No Calculator : None Response Time : N.A Think Time : N.A Minimum Instruction Time : 0

Correct Marks : 5 Wrong Marks : 1

Question Key Details :

Key	Value
Comprehension	Comp1

Read the given passage carefully and answer following question .

The Ruhr Coal field of Germany has been one of the major industrial regions of Europe for a long time. Coal and iron and steel formed the basis of the economy, but as the demand for coal declined, the industry started shrinking. Even after the iron ore was exhausted, the industry remained, using imported ore brought by waterways to the Ruhr.

The Ruhr region is responsible for 80 per cent of Germany's total steel production. Changes in the industrial structure have led to the decay of some areas, and there are problems of industrial waste and pollution. The future prosperity of the Ruhr is based less on the products of coal and steel, for which it was initially famous, and more on the new industries like the huge Opel car assembly plant, new chemical plants, universities. Out-of-town shopping centres have appeared resulting in a 'New Ruhr' landscape.

The iron and steel industry forms the base of all other industries and, therefore, it is called a basic industry. It is basic because it provides raw material for other industries such as machine tools used for further production. It may also be called a heavy industry because it uses large quantities of bulky raw materials and its products are also heavy.

Iron is extracted from iron ore by smelting in a blast furnace with carbon (coke) and limestone. The molten iron is cooled and moulded to form pig iron which is used for converting into steel by adding strengthening materials manganese.

The assembly of _____ car is done in the Ruhr region of Germany.

1. Opel
2. Napel
3. Napthel
4. Onthel

Options :

485584136389. 1
485584136390. 2
485584136391. 3
485584136392. 4

Question Number : 244 Question Id : 48558434099 Question Type : MCQ Option Shuffling : No Is Question Mandatory : No Calculator : None Response Time : N.A Think Time : N.A Minimum Instruction Time : 0

Correct Marks : 5 Wrong Marks : 1

Question Key Details :

Key	Value
Comprehension	Comp1

Read the given passage carefully and answer following question .

The Ruhr Coal field of Germany has been one of the major industrial regions of Europe for a long time. Coal and iron and steel formed the basis of the economy, but as the demand for coal declined, the industry started shrinking. Even after the iron ore was exhausted, the industry remained, using imported ore brought by waterways to the Ruhr.

The Ruhr region is responsible for 80 per cent of Germany's total steel production. Changes in the industrial structure have led to the decay of some areas, and there are problems of industrial waste and pollution. The future prosperity of the Ruhr is based less on the products of coal and steel, for which it was initially famous, and more on the new industries like the huge Opel car assembly plant, new chemical plants, universities. Out-of-town shopping centres have appeared resulting in a 'New Ruhr' landscape.

The iron and steel industry forms the base of all other industries and, therefore, it is called a basic industry. It is basic because it provides raw material for other industries such as machine tools used for further production. It may also be called a heavy industry because it uses large quantities of bulky raw materials and its products are also heavy.

Iron is extracted from iron ore by smelting in a blast furnace with carbon (coke) and limestone. The molten iron is cooled and moulded to form pig iron which is used for converting into steel by adding strengthening materials manganese.

Iron and Steel industry is called _____ industry.

1. Basic
2. Secondary
3. Tertiary
4. Quaternary

Options :

485584136393. 1
485584136394. 2
485584136395. 3
485584136396. 4

Question Number : 245 Question Id : 48558434100 Question Type : MCQ Option Shuffling : No Is Question Mandatory : No Calculator : None Response Time : N.A Think Time : N.A Minimum Instruction Time : 0

Correct Marks : 5 Wrong Marks : 1

Question Key Details :

Key	Value
Comprehension	Comp1

Read the given passage carefully and answer following question .

The Ruhr Coal field of Germany has been one of the major industrial regions of Europe for a long time. Coal and iron and steel formed the basis of the economy, but as the demand for coal declined, the industry started shrinking. Even after the iron ore was exhausted, the industry remained, using imported ore brought by waterways to the Ruhr.

The Ruhr region is responsible for 80 per cent of Germany's total steel production. Changes in the industrial structure have led to the decay of some areas, and there are problems of industrial waste and pollution. The future prosperity of the Ruhr is based less on the products of coal and steel, for which it was initially famous, and more on the new industries like the huge Opel car assembly plant, new chemical plants, universities. Out-of-town shopping centres have appeared resulting in a 'New Ruhr' landscape.

The iron and steel industry forms the base of all other industries and, therefore, it is called a basic industry. It is basic because it provides raw material for other industries such as machine tools used for further production. It may also be called a heavy industry because it uses large quantities of bulky raw materials and its products are also heavy.

Iron is extracted from iron ore by smelting in a blast furnace with carbon (coke) and limestone. The molten iron is cooled and moulded to form pig iron which is used for converting into steel by adding strengthening materials manganese.

_____ is added to strengthen the material for making steel.

1. Mica
2. Limestone
3. Coke
4. Manganese

Options :

485584136397. 1
485584136398. 2
485584136399. 3
485584136400. 4

Sub-Section Number : 3
Sub-Section Id : 4855842538
Question Shuffling Allowed : No
Is Section Default? : null

Question Number : 246 Question Id : 48558434101 Question Type : MCQ Option Shuffling : No Is Question Mandatory : No Calculator : None Response Time : N.A Think Time : N.A Minimum Instruction Time : 0

Correct Marks : 5 Wrong Marks : 1

Question Key Details :

Key	Value
Comprehension	Comp2

Study the given table carefully and answer the following question:

Composition of India's Export, 2009-2017

(Percentage share in Exports)

Commodities	2009-10	2010-11	2015-16	2016-17
Agriculture and allied products	10.0	9.9	12.6	12.3
Ore and Minerals	4.9	4.0	1.6	1.9
Manufactured goods	67.4	68.0	72.9	73.6
Crude and petroleum products	16.2	16.8	11.9	11.7
Other Commodities	1.5	1.2	1.1	0.5

How many of the following export commodities are showing an increasing trend between 2015 - 16 to 2016 - 17 ?

1. 1
2. 2
3. 3
4. 4

Options :

- 485584136401. 1
- 485584136402. 2
- 485584136403. 3
- 485584136404. 4

Question Number : 247 Question Id : 48558434102 Question Type : MCQ Option Shuffling : No Is Question Mandatory : No Calculator : None Response Time : N.A Think Time : N.A Minimum Instruction Time : 0

Correct Marks : 5 Wrong Marks : 1

Question Key Details :

Key	Value
Comprehension	Comp2

Study the given table carefully and answer the following question:

Composition of India's Export, 2009-2017

(Percentage share in Exports)

Commodities	2009-10	2010-11	2015-16	2016-17
Agriculture and allied products	10.0	9.9	12.6	12.3
Ore and Minerals	4.9	4.0	1.6	1.9
Manufactured goods	67.4	68.0	72.9	73.6
Crude and petroleum products	16.2	16.8	11.9	11.7
Other Commodities	1.5	1.2	1.1	0.5

In 2015 - 16, if agriculture and allied products and manufactured goods percentages are added, it would be _____.

1. 84.5%
2. 85.0%
3. 85.5%
4. 86.0%

Options :

485584136405. 1
485584136406. 2
485584136407. 3
485584136408. 4

Question Number : 248 Question Id : 48558434103 Question Type : MCQ Option Shuffling : No Is Question Mandatory : No Calculator : None Response Time : N.A Think Time : N.A Minimum Instruction Time : 0

Correct Marks : 5 Wrong Marks : 1

Question Key Details :

Key	Value
Comprehension	Comp2

Study the given table carefully and answer the following question:

Composition of India's Export, 2009-2017

(Percentage share in Exports)

Commodities	2009-10	2010-11	2015-16	2016-17
Agriculture and allied products	10.0	9.9	12.6	12.3
Ore and Minerals	4.9	4.0	1.6	1.9
Manufactured goods	67.4	68.0	72.9	73.6
Crude and petroleum products	16.2	16.8	11.9	11.7
Other Commodities	1.5	1.2	1.1	0.5

Which of the following export commodities registered increasing trends from 2009 - 10 to 2010 - 11 ?

1. Ore and minerals and manufactured
2. Agriculture and allied product and crude and petroleum products
3. Manufactured goods and other commodities
4. Manufactured goods and crud and petroleum products

Options :

485584136409. 1
485584136410. 2
485584136411. 3

Question Number : 249 Question Id : 48558434104 Question Type : MCQ Option Shuffling : No Is Question Mandatory : No Calculator : None Response Time : N.A Think Time : N.A Minimum Instruction Time : 0

Correct Marks : 5 Wrong Marks : 1

Question Key Details :

Key	Value
Comprehension	Comp2

Study the given table carefully and answer the following question:

Composition of India's Export, 2009-2017

(Percentage share in Exports)

Commodities	2009-10	2010-11	2015-16	2016-17
Agriculture and allied products	10.0	9.9	12.6	12.3
Ore and Minerals	4.9	4.0	1.6	1.9
Manufactured goods	67.4	68.0	72.9	73.6
Crude and petroleum products	16.2	16.8	11.9	11.7
Other Commodities	1.5	1.2	1.1	0.5

Percentage increase in manufactured goods from 2010 - 11 to 2015 - 16 is reported by which one of the following ?

1. 1.9%
2. 2.9%
3. 3.9%
4. 4.9%

Options :

485584136413. 1
485584136414. 2
485584136415. 3
485584136416. 4

Question Number : 250 Question Id : 48558434105 Question Type : MCQ Option Shuffling : No Is Question Mandatory : No Calculator : None Response Time : N.A Think Time : N.A Minimum Instruction Time : 0

Correct Marks : 5 Wrong Marks : 1

Question Key Details :

Key	Value
Comprehension	Comp2

Study the given table carefully and answer the following question:

Composition of India's Export, 2009-2017

(Percentage share in Exports)

Commodities	2009-10	2010-11	2015-16	2016-17
Agriculture and allied products	10.0	9.9	12.6	12.3
Ore and Minerals	4.9	4.0	1.6	1.9
Manufactured goods	67.4	68.0	72.9	73.6
Crude and petroleum products	16.2	16.8	11.9	11.7
Other Commodities	1.5	1.2	1.1	0.5

The highest difference in percentage between, 2010 - 11 to 2015 - 16 is associated with which of the following categories ?

1. Agriculture and allied products
2. Ore and Minerals
3. Manufactured goods
4. Other Commodities

Options :

485584136417. 1
485584136418. 2
485584136419. 3
485584136420. 4

History

Group Number :	10
Group Id :	485584777
Group Maximum Duration :	45
Group Minimum Duration :	45
Show Attended Group? :	No
Edit Attended Group? :	No
Break time :	0
Group Marks :	200
Is this Group for Examiner? :	No
Examiner permission :	Cant View
Show Progress Bar? :	No

History

Section Id :	485584895
Section Number :	1
Section type :	Online
Mandatory or Optional :	Mandatory

Number of Questions : 50
Number of Questions to be attempted : 40
Section Marks : 200
Enable Mark as Answered Mark for Review and Clear Response : Yes
Maximum Instruction Time : 0
Sub-Section Number : 1
Sub-Section Id : 4855842539
Question Shuffling Allowed : Yes
Is Section Default? : null

Question Number : 251 Question Id : 48558434156 Question Type : MCQ Option Shuffling : No Is Question Mandatory : No Calculator : None Response Time : N.A Think Time : N.A Minimum Instruction Time : 0

Correct Marks : 5 Wrong Marks : 1

Question Key Details :

Key	Value
Comprehension	MCQ

Which of the following is **NOT True** of the 'Objectives Resolution'?

1. It proclaimed India to be an 'Independent Sovereign Republic'.
2. It guaranteed its citizens justice, equality and freedom.
3. Nehru located history of Constitution-making in India within a longer history of struggle for liberty and freedom.
4. The ideas and provisions of the Constitution introduced in India could be derived colonial past.

Options :

485584136621. 1
485584136622. 2
485584136623. 3
485584136624. 4

Question Number : 252 Question Id : 48558434157 Question Type : MCQ Option Shuffling : No Is Question Mandatory : No Calculator : None Response Time : N.A Think Time : N.A Minimum Instruction Time : 0

Correct Marks : 5 Wrong Marks : 1

Question Key Details :

Key	Value
Comprehension	MCQ

The 'Constituent Assembly' was composed of how many members?

1. 250
2. 120
3. 300
4. 522

Options :

485584136625. 1
485584136626. 2

485584136627. 3
485584136628. 4

Question Number : 253 Question Id : 48558434158 Question Type : MCQ Option Shuffling : No Is Question Mandatory : No Calculator : None Response Time : N.A Think Time : N.A Minimum Instruction Time : 0

Correct Marks : 5 Wrong Marks : 1

Question Key Details :

Key	Value
Comprehension	MCQ

The 'Great Calcutta Killings' took place in which year?

1. 1946
2. 1945
3. 1947
4. 1943

Options :

485584136629. 1
485584136630. 2
485584136631. 3
485584136632. 4

Question Number : 254 Question Id : 48558434159 Question Type : MCQ Option Shuffling : No Is Question Mandatory : No Calculator : None Response Time : N.A Think Time : N.A Minimum Instruction Time : 0

Correct Marks : 5 Wrong Marks : 1

Question Key Details :

Key	Value
Comprehension	MCQ

Which Governor General adopted policies that abolished 'Sati'?

1. Henry Hardings
2. William Bentinck
3. Canning
4. Dalhousie

Options :

485584136633. 1
485584136634. 2
485584136635. 3
485584136636. 4

Question Number : 255 Question Id : 48558434160 Question Type : MCQ Option Shuffling : No Is Question Mandatory : No Calculator : None Response Time : N.A Think Time : N.A Minimum Instruction Time : 0

Correct Marks : 5 Wrong Marks : 1

Question Key Details :

Key	Value
-----	-------

Comprehension	MCQ
---------------	-----

Who wrote one of the earliest histories of the Uprising of 1857?

1. Francis Grant
2. Captain Hearsey
3. Charles Ball
4. Colin Campbell

Options :

485584136637. 1
485584136638. 2
485584136639. 3
485584136640. 4

Question Number : 256 Question Id : 48558434161 Question Type : MCQ Option Shuffling : No Is Question Mandatory : No Calculator : None Response Time : N.A Think Time : N.A Minimum Instruction Time : 0

Correct Marks : 5 Wrong Marks : 1

Question Key Details :

Key	Value
Comprehension	MCQ

Which region was known as the 'nursery of the Bengal Army' as many sepoys were recruited from the region?

1. Jhansi
2. Satara
3. Awadh
4. Delhi

Options :

485584136641. 1
485584136642. 2
485584136643. 3
485584136644. 4

Question Number : 257 Question Id : 48558434162 Question Type : MCQ Option Shuffling : No Is Question Mandatory : No Calculator : None Response Time : N.A Think Time : N.A Minimum Instruction Time : 0

Correct Marks : 5 Wrong Marks : 1

Question Key Details :

Key	Value
Comprehension	MCQ

Where was the 'Summary Settlement' of 1856 imposed?

1. Jhansi
2. Bengal
3. Kanpur
4. Awadh

Options :

485584136645. 1
485584136646. 2
485584136647. 3
485584136648. 4

Question Number : 258 Question Id : 48558434163 Question Type : MCQ Option Shuffling : No Is Question Mandatory : No Calculator : None Response Time : N.A Think Time : N.A Minimum Instruction Time : 0

Correct Marks : 5 Wrong Marks : 1

Question Key Details :

Key	Value
Comprehension	MCQ

Who went around mobilising the headman and cultivators of Chaurasee des (eighty-four villages) in 1857?

1. Maului Ahmadullah Shah
2. Henry Lawrence
3. Hanwant Singh
4. Shah Mal

Options :

485584136649. 1
485584136650. 2
485584136651. 3
485584136652. 4

Question Number : 259 Question Id : 48558434164 Question Type : MCQ Option Shuffling : No Is Question Mandatory : No Calculator : None Response Time : N.A Think Time : N.A Minimum Instruction Time : 0

Correct Marks : 5 Wrong Marks : 1

Question Key Details :

Key	Value
Comprehension	MCQ

Colonial rule was first established in which part of India?

1. Bombay
2. Madras
3. Bengal
4. Punjab

Options :

485584136653. 1
485584136654. 2
485584136655. 3
485584136656. 4

Question Number : 260 Question Id : 48558434165 Question Type : MCQ Option Shuffling : No Is Question Mandatory : No Calculator : None Response Time : N.A Think Time : N.A Minimum Instruction Time : 0

Correct Marks : 5 Wrong Marks : 1

Question Key Details :

Key	Value
Comprehension	MCQ

Colonial officials were strongly influenced by the ideas of which British economic thinker in 19th-century?

1. Adam Smith
2. J. M. Keynes
3. David Ricardo
4. Thomas Paine

Options :

485584136657. 1
485584136658. 2
485584136659. 3
485584136660. 4

Question Number : 261 Question Id : 48558434166 Question Type : MCQ Option Shuffling : No Is Question Mandatory : No Calculator : None Response Time : N.A Think Time : N.A Minimum Instruction Time : 0

Correct Marks : 5 Wrong Marks : 1

Question Key Details :

Key	Value
Comprehension	MCQ

Where was Satyajit Ray's 'Jalsaghar' filmed?

1. Andul Raj Palace
2. City Palace
3. Rajmahal
4. Jangal Mahal

Options :

485584136661. 1
485584136662. 2
485584136663. 3
485584136664. 4

Question Number : 262 Question Id : 48558434167 Question Type : MCQ Option Shuffling : No Is Question Mandatory : No Calculator : None Response Time : N.A Think Time : N.A Minimum Instruction Time : 0

Correct Marks : 5 Wrong Marks : 1

Question Key Details :

Key	Value
Comprehension	MCQ

Who wrote 'Char Chaman': describing the Mughal nobility?

1. Chandrabahan Barahman
2. Antonio Monserrate
3. Abu'l Hasan
4. Muhammad Husayn

Options :

485584136665. 1
485584136666. 2
485584136667. 3
485584136668. 4

Question Number : 263 Question Id : 48558434168 Question Type : MCQ Option Shuffling : No Is Question Mandatory : No Calculator : None Response Time : N.A Think Time : N.A Minimum Instruction Time : 0

Correct Marks : 5 Wrong Marks : 1

Question Key Details :

Key	Value
Comprehension	MCQ

Which chronicle was gifted by Nawab of Awadh to King George III in 1799.

1. Akbarnama
2. Shahjahan Nama
3. Badshah Nama
4. Alamgir Nama

Options :

485584136669. 1
485584136670. 2
485584136671. 3
485584136672. 4

Question Number : 264 Question Id : 48558434169 Question Type : MCQ Option Shuffling : No Is Question Mandatory : No Calculator : None Response Time : N.A Think Time : N.A Minimum Instruction Time : 0

Correct Marks : 5 Wrong Marks : 1

Question Key Details :

Key	Value
Comprehension	MCQ

What was the meaning of 'Jangama' in 12th-century Karnataka?

1. Sayings
2. Wandering Monks
3. Incarnations
4. Four Thousand Sacred Compositions

Options :

485584136673. 1
485584136674. 2
485584136675. 3
485584136676. 4

Question Number : 265 Question Id : 48558434170 Question Type : MCQ Option Shuffling : No Is Question Mandatory : No Calculator : None Response Time : N.A Think Time : N.A Minimum Instruction Time : 0

Correct Marks : 5 Wrong Marks : 1

Question Key Details :

Key	Value
Comprehension	MCQ

'Kabir Granthavali' is associated with which of the following traditions?

1. Kabirpanth in Varanasi
2. Dadupanth in Rajasthan
3. Kabirpanth in Bengal
4. Kabirvani in Adi Granth Sahib

Options :

485584136677. 1
485584136678. 2
485584136679. 3
485584136680. 4

Question Number : 266 Question Id : 48558434171 Question Type : MCQ Option Shuffling : No Is Question Mandatory : No Calculator : None Response Time : N.A Think Time : N.A Minimum Instruction Time : 0

Correct Marks : 5 Wrong Marks : 1

Question Key Details :

Key	Value
Comprehension	MCQ

'Malfuzat' an important source for constructing history is _____.

1. A record of conversations of sufi saints.
2. A record of agrarian tax.
3. A record of kings announcement.
4. A collection of letters written by sufi saints.

Options :

485584136681. 1
485584136682. 2
485584136683. 3
485584136684. 4

Question Number : 267 Question Id : 48558434172 Question Type : MCQ Option Shuffling : No Is Question Mandatory : No Calculator : None Response Time : N.A Think Time : N.A Minimum Instruction Time : 0

Correct Marks : 5 Wrong Marks : 1

Question Key Details :

Key	Value
Comprehension	MCQ

Who described Mughal cities of the 17th-century as 'Camp Towns'?

1. Francois Bernier
2. Pelsaert
3. Abu'l Fazl
4. Karl Marx

Options :

485584136685. 1
485584136686. 2
485584136687. 3
485584136688. 4

Question Number : 268 Question Id : 48558434173 Question Type : MCQ Option Shuffling : No Is Question Mandatory : No Calculator : None Response Time : N.A Think Time : N.A Minimum Instruction Time : 0

Correct Marks : 5 Wrong Marks : 1

Question Key Details :

Key	Value
Comprehension	MCQ

Who among the following were known as 'materialists' in Sixth BCE India.

1. Ajivikas
2. Lokayatas
3. Buddhists
4. Jains

Options :

485584136689. 1
485584136690. 2
485584136691. 3
485584136692. 4

Question Number : 269 Question Id : 48558434174 Question Type : MCQ Option Shuffling : No Is Question Mandatory : No Calculator : None Response Time : N.A Think Time : N.A Minimum Instruction Time : 0

Correct Marks : 5 Wrong Marks : 1

Question Key Details :

Key	Value
Comprehension	MCQ

Which amongst the following is another name for the 'Buddha'?

1. Tirthankara
2. Theragatha
3. Theravadva
4. Tathagatha

Options :

485584136693. 1
485584136694. 2
485584136695. 3
485584136696. 4

Question Number : 270 Question Id : 48558434175 Question Type : MCQ Option Shuffling : No Is Question Mandatory : No Calculator : None Response Time : N.A Think Time : N.A Minimum Instruction Time : 0

Correct Marks : 5 Wrong Marks : 1

Question Key Details :

Key	Value
Comprehension	MCQ

Who was the first women to be ordained as a 'Bhikkhuni'?

1. Yasodhara
2. Purna
3. Radha
4. Mahapajapati Gotami

Options :

485584136697. 1
485584136698. 2
485584136699. 3
485584136700. 4

Question Number : 271 Question Id : 48558434176 Question Type : MCQ Option Shuffling : No Is Question Mandatory : No Calculator : None Response Time : N.A Think Time : N.A Minimum Instruction Time : 0

Correct Marks : 5 Wrong Marks : 1

Question Key Details :

Key	Value
Comprehension	MCQ

Which of the following suggests that many people who turned to buddhists enriched it with their own Pre-Buddhist beliefs, practices and ideas?

1. Wheel of Dharma
2. Jataka Scenes
3. Shalabhanjika
4. Mahaparinibbana

Options :

485584136701. 1
485584136702. 2
485584136703. 3
485584136704. 4

Question Number : 272 Question Id : 48558434177 Question Type : MCQ Option Shuffling : No Is Question Mandatory : No Calculator : None Response Time : N.A Think Time : N.A Minimum Instruction Time : 0

Correct Marks : 5 Wrong Marks : 1

Question Key Details :

Key	Value
Comprehension	MCQ

Who led a team of dozen scholars in collecting Sanskrit manuscripts and preparing a critical edition of the 'Mahabharata'?

1. V. S. Wakankar
2. B. B. Lal
3. V. S. Sukthankar
4. V. A. Smith

Options :

485584136705. 1
485584136706. 2
485584136707. 3
485584136708. 4

Question Number : 273 Question Id : 48558434178 Question Type : MCQ Option Shuffling : No Is Question Mandatory : No Calculator : None Response Time : N.A Think Time : N.A Minimum Instruction Time : 0

Correct Marks : 5 Wrong Marks : 1

Question Key Details :

Key	Value
Comprehension	MCQ

Asokan inscriptions in the North-West of the subcontinent were written in which of the following languages?

1. Prakrit
2. Pali
3. Aramaic
4. Arad-Magadhi

Options :

485584136709. 1
485584136710. 2
485584136711. 3
485584136712. 4

Question Number : 274 Question Id : 48558434179 Question Type : MCQ Option Shuffling : No Is Question Mandatory : No Calculator : None Response Time : N.A Think Time : N.A Minimum Instruction Time : 0

Correct Marks : 5 Wrong Marks : 1

Question Key Details :

Key	Value
Comprehension	MCQ

Which of the following time period is related to the emergence of early states in Indian history?

1. First Century BCE
2. Sixth Century BCE
3. Eighth Century BCE
4. Tenth Century BCE

Options :

485584136713. 1
485584136714. 2
485584136715. 3
485584136716. 4

Question Number : 275 Question Id : 48558434180 Question Type : MCQ Option Shuffling : No Is Question Mandatory : No Calculator : None Response Time : N.A Think Time : N.A Minimum Instruction Time : 0

Correct Marks : 5 Wrong Marks : 1

Question Key Details :

Key	Value
Comprehension	MCQ

The 'Prayag Prashasti' was composed by the court poet of which of the following kings?

1. Chandragupta
2. Chandragupta Vikramaditya
3. Samudragupta
4. Skandagupta

Options :

485584136717. 1
485584136718. 2
485584136719. 3
485584136720. 4

Question Number : 276 Question Id : 48558434181 Question Type : MCQ Option Shuffling : No Is Question Mandatory : No Calculator : None Response Time : N.A Think Time : N.A Minimum Instruction Time : 0

Correct Marks : 5 Wrong Marks : 1

Question Key Details :

Key	Value
Comprehension	MCQ

Nageshwar and Balakot settlement near the coast in the Harappan Civilisation served as _____.

1. Sources of Carnelian
2. Sources of Lapis Lazuli
3. Centre of shell production
4. Sources of gold

Options :

485584136721. 1
485584136722. 2
485584136723. 3
485584136724. 4

Question Number : 277 Question Id : 48558434182 Question Type : MCQ Option Shuffling : No Is Question Mandatory : No Calculator : None Response Time : N.A Think Time : N.A Minimum Instruction Time : 0

Correct Marks : 5 Wrong Marks : 1

Question Key Details :

Key	Value
Comprehension	MCQ

Evidence of a ploughed field comes from which of the following Harrapan site?

1. Cholistan
2. Amri-Nal
3. Kalibangan
4. Harappa

Options :

485584136725. 1
485584136726. 2
485584136727. 3
485584136728. 4

Question Number : 278 Question Id : 48558434183 Question Type : MCQ Option Shuffling : No Is Question Mandatory : No Calculator : None Response Time : N.A Think Time : N.A Minimum Instruction Time : 0

Correct Marks : 5 Wrong Marks : 1

Question Key Details :

Key	Value
Comprehension	MCQ

Match List I with List II:

LIST I		LIST II	
A.	Dakshyani Velayudhan	I.	Hindustani as language of nation
B.	Hansa Mehta	II.	Removal of social disabilities
C.	R. V. Dhulekar	III.	Justice for women
D.	Shankarrao Deo	IV.	Hindi as national language

Choose the **correct** answer from the options given below:

1. A-II, B-IV, C-I, D-III
2. A-II, B-III, C-IV, D-I
3. A-I, B-II, C-III, D-IV
4. A-I, B-III, C-IV, D-II

Options :

485584136729. 1
485584136730. 2
485584136731. 3
485584136732. 4

Question Number : 279 Question Id : 48558434184 Question Type : MCQ Option Shuffling : No Is Question Mandatory : No Calculator : None Response Time : N.A Think Time : N.A Minimum Instruction Time : 0

Correct Marks : 5 Wrong Marks : 1

Question Key Details :

Key	Value
-----	-------

Match List I with List II:

LIST I		LIST II	
A.	Nageshwar	I.	Steatite
B.	Lothal	II.	Lapis Lazuli
C.	Gujarat	III.	Carnelian
D.	Shortughai	IV.	Shell

Choose the **correct** answer from the options given below:

1. A-IV, B-III, C-I, D-II
2. A-I, B-III, C-IV, D-II
3. A-II, B-I, C-IV, D-III
4. A-IV, B-III, C-I, D-II

Options :

485584136733. 1
 485584136734. 2
 485584136735. 3
 485584136736. 4

Question Number : 280 Question Id : 48558434185 Question Type : MCQ Option Shuffling : No Is Question Mandatory : No Calculator : None Response Time : N.A Think Time : N.A Minimum Instruction Time : 0

Correct Marks : 5 Wrong Marks : 1

Question Key Details :

Key	Value
Comprehension	MCQ

Match List I with List II:

LIST I		LIST II	
A.	Jesuit	I.	Jean-Baptiste Tavernier
B.	French Jeweller	II.	Danishmand Khan
C.	Italian Doctor	III.	Roberto Nobili
D.	Armenian Noble	IV.	Manucci

Choose the **correct** answer from the options given below:

1. A-IV, B-II, C-I, D-III
2. A-III, B-I, C-II, D-IV
3. A-IV, B-I, C-II, D-III
4. A-III, B-I, C-IV, D-II

Options :

- 485584136737. 1
- 485584136738. 2
- 485584136739. 3
- 485584136740. 4

Question Number : 281 Question Id : 48558434186 Question Type : MCQ Option Shuffling : No Is Question Mandatory : No Calculator : None Response Time : N.A Think Time : N.A Minimum Instruction Time : 0

Correct Marks : 5 Wrong Marks : 1

Question Key Details :

Key	Value
Comprehension	MCQ

Match List I with List II:

LIST I		LIST II	
A.	Bargadar	I.	Powerful Zamindar
B.	Raja	II.	Sharecropper
C.	Diku	III.	Strongman of a Zamindar
D.	Lathyal	IV.	Moneylender

Choose the **correct** answer from the options given below:

1. A-I, B-IV, C-II, D-III
2. A-IV, B-II, C-III, D-I
3. A-II, B-I, C-IV, D-III
4. A-IV, B-I, C-II, D-III

Options :

- 485584136741. 1
- 485584136742. 2
- 485584136743. 3
- 485584136744. 4

Question Number : 282 Question Id : 48558434187 Question Type : MCQ Option Shuffling : No Is Question Mandatory : No Calculator : None Response Time : N.A Think Time : N.A Minimum Instruction Time : 0

Correct Marks : 5 Wrong Marks : 1

Question Key Details :

Key	Value
Comprehension	MCQ

Which of the following statements are **True** for the Harappan script?

- A. It contains around 400 signs.
- B. It was written from right to left.
- C. It has been deciphered.
- D. It is alphabetical.

Choose the **correct** answer from the options given below:

- 1. A, D only
- 2. A, B only
- 3. B, C only
- 4. B, D only

Options :

- 485584136745. 1
- 485584136746. 2
- 485584136747. 3
- 485584136748. 4

Question Number : 283 Question Id : 48558434188 Question Type : MCQ Option Shuffling : No Is Question Mandatory : No Calculator : None Response Time : N.A Think Time : N.A Minimum Instruction Time : 0

Correct Marks : 5 Wrong Marks : 1

Question Key Details :

Key	Value
Comprehension	MCQ

Which of the following terms are used for 'peasants' in Indo-Persian sources?

- A. Raiyat
- B. Muzarian
- C. Do-Fasla
- D. Jins-i-Kamil

Choose the **correct** answer from the options given below:

- 1. A, B only
- 2. B, C only
- 3. A, C only
- 4. C, D only

Options :

- 485584136749. 1
- 485584136750. 2
- 485584136751. 3
- 485584136752. 4

Question Number : 284 Question Id : 48558434189 Question Type : MCQ Option Shuffling : No Is Question Mandatory : No Calculator : None Response Time : N.A Think Time : N.A Minimum Instruction Time : 0

Correct Marks : 5 Wrong Marks : 1

Question Key Details :

Key	Value
Comprehension	MCQ

Which of the following were part of the recommendations made by the Constituent Assembly?

- A. Seats in legislature and jobs in government offices be reserved for the lowest caste.
- B. Separate electorates for Depressed Classes.
- C. Hindu temples be thrown open to all castes.
- D. Permanently segregate them from the society.

Choose the **correct** answer from the options given below:

- 1. A, B only
- 2. B, C only
- 3. A, C only
- 4. C, D only

Options :

- 485584136753. 1
- 485584136754. 2
- 485584136755. 3
- 485584136756. 4

Question Number : 285 Question Id : 48558434190 Question Type : MCQ Option Shuffling : No Is Question Mandatory : No Calculator : None Response Time : N.A Think Time : N.A Minimum Instruction Time : 0

Correct Marks : 5 Wrong Marks : 1

Question Key Details :

Key	Value
Comprehension	MCQ

Which of the following sites was of late Harappan occupation?

- A. Sutkagendor
- B. Swat
- C. Jhukar
- D. Shortughai

Choose the **correct** answer from the options given below:

- 1. A, D only
- 2. C, D only
- 3. B, C only
- 4. C, A only

Options :

485584136757. 1
485584136758. 2
485584136759. 3
485584136760. 4

Question Number : 286 Question Id : 48558434191 Question Type : MCQ Option Shuffling : No Is Question Mandatory : No Calculator : None Response Time : N.A Think Time : N.A Minimum Instruction Time : 0

Correct Marks : 5 Wrong Marks : 1

Question Key Details :

Key	Value
Comprehension	MCQ

Arrange the following in a chronological order according to the year of formation.

- A. All-India Muslim League
- B. Hindu Mahasabha
- C. 1937 Provincial Elections
- D. Lucknow Pact

Choose the **correct** answer from the options given below:

- 1. A, B, C, D
- 2. A, B, D, C
- 3. B, A, D, C
- 4. D, C, B, A

Options :

485584136761. 1
485584136762. 2
485584136763. 3
485584136764. 4

Question Number : 287 Question Id : 48558434192 Question Type : MCQ Option Shuffling : No Is Question Mandatory : No Calculator : None Response Time : N.A Think Time : N.A Minimum Instruction Time : 0

Correct Marks : 5 Wrong Marks : 1

Question Key Details :

Key	Value
Comprehension	MCQ

Arrange the following sequentially as per their period of establishment.

- A. Setting up of Supreme Court, Calcutta.
- B. Universities in Bombay, Madras, Calcutta.
- C. Formation of the Asiatic Society in Bengal.
- D. The British in Bombay.

Choose the **correct** answer from the options given below:

- 1. C, B, D, A
- 2. C, B, A, D
- 3. D, A, C, B
- 4. B, C, A, D

Options :

- 485584136765. 1
- 485584136766. 2
- 485584136767. 3
- 485584136768. 4

Question Number : 288 Question Id : 48558434193 Question Type : MCQ Option Shuffling : No Is Question Mandatory : No Calculator : None Response Time : N.A Think Time : N.A Minimum Instruction Time : 0

Correct Marks : 5 Wrong Marks : 1

Question Key Details :

Key	Value
Comprehension	MCQ

Arrange the following in a hierarchal order in context of British India Company Rule.

- A. Ryots
- B. Jotedars
- C. The Permanent Settlement
- D. Zamindar

Choose the **correct** answer from the options given below:

- 1. C, B, A, D
- 2. D, B, C, A
- 3. C, D, B, A
- 4. A, C, B, A

Options :

- 485584136769. 1
- 485584136770. 2
- 485584136771. 3
- 485584136772. 4

Question Number : 289 Question Id : 48558434194 Question Type : MCQ Option Shuffling : No Is Question Mandatory : No Calculator : None Response Time : N.A Think Time : N.A Minimum Instruction Time : 0

Correct Marks : 5 Wrong Marks : 1

Question Key Details :

Key	Value
Comprehension	MCQ

Arrange the following sequentially according to their period of completion.

- A. Alamgir Nama
- B. Badshah Nama
- C. Akbar Nama
- D. Humayun Nama

Choose the **correct** answer from the options given below:

- 1. C, D, B, A
- 2. D, C, A, B
- 3. C, D, A, B
- 4. A, D, C, B

Options :

- 485584136773. 1
- 485584136774. 2
- 485584136775. 3
- 485584136776. 4

Question Number : 290 Question Id : 48558434195 Question Type : MCQ Option Shuffling : No Is Question Mandatory : No Calculator : None Response Time : N.A Think Time : N.A Minimum Instruction Time : 0

Correct Marks : 5 Wrong Marks : 1

Question Key Details :

Key	Value
Comprehension	MCQ

Arrange the following sequentially in relation to the preservation of Early monuments:

- A. Foundation of Indian Museum, Calcutta.
- B. James Fergusson's Survey
- C. H.H. Cole Appointed as Curator of Ancient Monument.
- D. Passing of Treasure Trove Act.

Choose the correct answer from the options given below:

- 1. A, C, B, D
- 2. A, B, C, D
- 3. B, C, A, D
- 4. D, A, B, C

Options :

485584136777. 1
485584136778. 2
485584136779. 3
485584136780. 4

Sub-Section Number : 2
Sub-Section Id : 4855842540
Question Shuffling Allowed : No
Is Section Default? : null

Question Number : 291 Question Id : 48558434196 Question Type : MCQ Option Shuffling : No Is Question Mandatory : No Calculator : None Response Time : N.A Think Time : N.A Minimum Instruction Time : 0

Correct Marks : 5 Wrong Marks : 1

Question Key Details :

Key	Value
Comprehension	Comp1

Read the passage and answer the questions:

Temple building in the region had a long history, going back to dynasties such as the Pallavas, Chalukyas, Hoysalas and Cholas. Rulers very often encouraged temple building as a means of associating themselves with the divine - often, the deity was explicitly or implicitly identified with the king. Temples also functioned as centres of learning. Besides, rulers and others often granted land and other resources for the maintenance of temples. Consequently, temples developed as significant religious, social, cultural and economic centres. From the point of view of the rulers, constructing, repairing and maintaining temples were important means of winning support and recognition for their power, wealth and piety.

What was the 'Kalyana mandapa' used for?

1. To worship the image of God.
2. To celebrate divine weddings.
3. For dance and music performances.
4. For drama performances.

Options :

485584136781. 1
485584136782. 2
485584136783. 3
485584136784. 4

Question Number : 292 Question Id : 48558434197 Question Type : MCQ Option Shuffling : No Is Question Mandatory : No Calculator : None Response Time : N.A Think Time : N.A Minimum Instruction Time : 0

Correct Marks : 5 Wrong Marks : 1

Question Key Details :

Key	Value
Comprehension	Comp1

Read the passage and answer the questions:

Temple building in the region had a long history, going back to dynasties such as the Pallavas, Chalukyas, Hoysalas and Cholas. Rulers very often encouraged temple building as a means of associating themselves with the divine - often, the deity was explicitly or implicitly identified with the king. Temples also functioned as centres of learning. Besides, rulers and others often granted land and other resources for the maintenance of temples. Consequently, temples developed as significant religious, social, cultural and economic centres. From the point of view of the rulers, constructing, repairing and maintaining temples were important means of winning support and recognition for their power, wealth and piety.

Krishnadeva Raya built a hall in front of the main shrine of which of the following temples to mark his accession?

1. Hazara Rama Temple
2. Vithala Temple
3. Virupaksha Temple
4. Chidambaram Temple

Options :

485584136785. 1
485584136786. 2
485584136787. 3
485584136788. 4

Question Number : 293 Question Id : 48558434198 Question Type : MCQ Option Shuffling : No Is Question Mandatory : No Calculator : None Response Time : N.A Think Time : N.A Minimum Instruction Time : 0

Correct Marks : 5 Wrong Marks : 1

Question Key Details :

Key	Value
Comprehension	Comp1

Read the passage and answer the questions:

Temple building in the region had a long history, going back to dynasties such as the Pallavas, Chalukyas, Hoysalas and Cholas. Rulers very often encouraged temple building as a means of associating themselves with the divine - often, the deity was explicitly or implicitly identified with the king. Temples also functioned as centres of learning. Besides, rulers and others often granted land and other resources for the maintenance of temples. Consequently, temples developed as significant religious, social, cultural and economic centres. From the point of view of the rulers, constructing, repairing and maintaining temples were important means of winning support and recognition for their power, wealth and piety.

Which of the following temple has a shrine designed as a 'chariot'?

1. Brihadeshvara Temple
2. Chidambaram Temple
3. Virupaksha Temple
4. Vitthala Temple

Options :

485584136789. 1
485584136790. 2
485584136791. 3
485584136792. 4

Question Number : 294 Question Id : 48558434199 Question Type : MCQ Option Shuffling : No Is Question Mandatory : No Calculator : None Response Time : N.A Think Time : N.A Minimum Instruction Time : 0

Correct Marks : 5 Wrong Marks : 1

Question Key Details :

Key	Value
Comprehension	Comp1

Read the passage and answer the questions:

Temple building in the region had a long history, going back to dynasties such as the Pallavas, Chalukyas, Hoysalas and Cholas. Rulers very often encouraged temple building as a means of associating themselves with the divine - often, the deity was explicitly or implicitly identified with the king. Temples also functioned as centres of learning. Besides, rulers and others often granted land and other resources for the maintenance of temples. Consequently, temples developed as significant religious, social, cultural and economic centres. From the point of view of the rulers, constructing, repairing and maintaining temples were important means of winning support and recognition for their power, wealth and piety.

Which of the following temple portrays sculpture of scenes from the Ramayana?

1. Vitthala Temple
2. Hazar Rama Temple
3. Pampadevi Temple
4. Virupaksha Temple

Options :

485584136793. 1
485584136794. 2
485584136795. 3
485584136796. 4

Question Number : 295 Question Id : 48558434200 Question Type : MCQ Option Shuffling : No Is Question Mandatory : No Calculator : None Response Time : N.A Think Time : N.A Minimum Instruction Time : 0

Correct Marks : 5 Wrong Marks : 1

Question Key Details :

Key	Value
Comprehension	Comp1

Read the passage and answer the questions:

Temple building in the region had a long history, going back to dynasties such as the Pallavas, Chalukyas, Hoysalas and Cholas. Rulers very often encouraged temple building as a means of associating themselves with the divine - often, the deity was explicitly or implicitly identified with the king. Temples also functioned as centres of learning. Besides, rulers and others often granted land and other resources for the maintenance of temples. Consequently, temples developed as significant religious, social, cultural and economic centres. From the point of view of the rulers, constructing, repairing and maintaining temples were important means of winning support and recognition for their power, wealth and piety.

"In our study of these monuments of Vijayanagara we have to imagine a whole series of vanished wooden elements...." Who amongst the following stated these lines?

- A. J. F. Fleet
- B. George Michell
- C. M.S. Nagaraja
- D. Fernao Nuniz

Choose the **correct** answer from the options given below:

- 1. A, B only
- 2. B, C only
- 3. C, D only
- 4. B, D only

Options :

- 485584136797. 1
- 485584136798. 2
- 485584136799. 3
- 485584136800. 4

Sub-Section Number : 3
Sub-Section Id : 4855842541
Question Shuffling Allowed : No
Is Section Default? : null

Question Number : 296 Question Id : 48558434201 Question Type : MCQ Option Shuffling : No Is Question Mandatory : No Calculator : None Response Time : N.A Think Time : N.A Minimum Instruction Time : 0

Correct Marks : 5 Wrong Marks : 1

Question Key Details :

Key	Value
Comprehension	Comp2

Read the passage and answer the questions:

In January 1915, Mohandas Karamchand Gandhi returned to his homeland after two decades of residence abroad. These years had been spent for the most part in South Africa, where he went as a lawyer, and in time became a leader of the Indian community in that territory. As the historian Chandran Devanesan has remarked, South Africa was "the making of the Mahatma". It was in South Africa that Mahatma Gandhi first forged the distinctive techniques of non-violent protest known as satyagraha, first promoted harmony between religions, and first alerted upper-caste Indians to their discriminatory treatment of low castes and women.

In 1915, Mahatma Gandhi returned to India from which country?

1. England
2. South Africa
3. Mexico
4. Kenya

Options :

485584136801. 1
485584136802. 2
485584136803. 3
485584136804. 4

Question Number : 297 Question Id : 48558434202 Question Type : MCQ Option Shuffling : No Is Question Mandatory : No Calculator : None Response Time : N.A Think Time : N.A Minimum Instruction Time : 0

Correct Marks : 5 Wrong Marks : 1

Question Key Details :

Key	Value
Comprehension	Comp2

Read the passage and answer the questions:

In January 1915, Mohandas Karamchand Gandhi returned to his homeland after two decades of residence abroad. These years had been spent for the most part in South Africa, where he went as a lawyer, and in time became a leader of the Indian community in that territory. As the historian Chandran Devanesan has remarked, South Africa was "the making of the Mahatma". It was in South Africa that Mahatma Gandhi first forged the distinctive techniques of non-violent protest known as satyagraha, first promoted harmony between religions, and first alerted upper-caste Indians to their discriminatory treatment of low castes and women.

Where was the technique of 'satyagraha' invented?

1. Ahmedabad
2. Champaran
3. Kheda
4. South Africa

Options :

485584136805. 1
485584136806. 2
485584136807. 3
485584136808. 4

Question Number : 298 Question Id : 48558434203 Question Type : MCQ Option Shuffling : No Is Question Mandatory : No Calculator : None Response Time : N.A Think Time : N.A Minimum Instruction Time : 0

Correct Marks : 5 Wrong Marks : 1

Question Key Details :

Key	Value
Comprehension	Comp2

Read the passage and answer the questions:

In January 1915, Mohandas Karamchand Gandhi returned to his homeland after two decades of residence abroad. These years had been spent for the most part in South Africa, where he went as a lawyer, and in time became a leader of the Indian community in that territory. As the historian Chandran Devanesan has remarked, South Africa was "the making of the Mahatma". It was in South Africa that Mahatma Gandhi first forged the distinctive techniques of non-violent protest known as satyagraha, first promoted harmony between religions, and first alerted upper-caste Indians to their discriminatory treatment of low castes and women.

Where did Mahatma Gandhi give his first public appearance after returning to India?

1. Kheda
2. Ahmedabad
3. Champaran
4. Banaras

Options :

485584136809. 1
485584136810. 2
485584136811. 3
485584136812. 4

Question Number : 299 Question Id : 48558434204 Question Type : MCQ Option Shuffling : No Is Question Mandatory : No Calculator : None Response Time : N.A Think Time : N.A Minimum Instruction Time : 0

Correct Marks : 5 Wrong Marks : 1

Question Key Details :

Key	Value
Comprehension	Comp2

Read the passage and answer the questions:

In January 1915, Mohandas Karamchand Gandhi returned to his homeland after two decades of residence abroad. These years had been spent for the most part in South Africa, where he went as a lawyer, and in time became a leader of the Indian community in that territory. As the historian Chandran Devanesan has remarked, South Africa was "the making of the Mahatma". It was in South Africa that Mahatma Gandhi first forged the distinctive techniques of non-violent protest known as satyagraha, first promoted harmony between religions, and first alerted upper-caste Indians to their discriminatory treatment of low castes and women.

Which historian remarked that South Africa was "the making of the Mahatma"?

1. Chandran Devanesan
2. Irfan Habib
3. Romila Thapar
4. Seema Alavi

Options :

- 485584136813. 1
- 485584136814. 2
- 485584136815. 3
- 485584136816. 4

Question Number : 300 Question Id : 48558434205 Question Type : MCQ Option Shuffling : No Is Question Mandatory : No Calculator : None Response Time : N.A Think Time : N.A Minimum Instruction Time : 0

Correct Marks : 5 Wrong Marks : 1

Question Key Details :

Key	Value
Comprehension	Comp2

Read the passage and answer the questions:

In January 1915, Mohandas Karamchand Gandhi returned to his homeland after two decades of residence abroad. These years had been spent for the most part in South Africa, where he went as a lawyer, and in time became a leader of the Indian community in that territory. As the historian Chandran Devanesan has remarked, South Africa was "the making of the Mahatma". It was in South Africa that Mahatma Gandhi first forged the distinctive techniques of non-violent protest known as satyagraha, first promoted harmony between religions, and first alerted upper-caste Indians to their discriminatory treatment of low castes and women.

Who was Gandhi's political mentor after his return from South Africa?

1. Mohammad Ali Jinnah
2. Gopal Krsihna Gokhale
3. Bipin Chadra Pal
4. Bal Gangadhar Tilak

Options :

485584136817. 1
485584136818. 2
485584136819. 3
485584136820. 4

KTPI

Group Number : 11
Group Id : 485584778
Group Maximum Duration : 45
Group Minimum Duration : 45
Show Attended Group? : No
Edit Attended Group? : No
Break time : 0
Group Marks : 200
Is this Group for Examiner? : No
Examiner permission : Cant View
Show Progress Bar? : No

KTPI

Section Id : 485584896
Section Number : 1
Section type : Online
Mandatory or Optional : Mandatory
Number of Questions : 50
Number of Questions to be attempted : 40
Section Marks : 200
Enable Mark as Answered Mark for Review and Clear Response : Yes
Maximum Instruction Time : 0
Sub-Section Number : 1
Sub-Section Id : 4855842542
Question Shuffling Allowed : Yes
Is Section Default? : null

Question Number : 301 Question Id : 48558434256 Question Type : MCQ Option Shuffling : No Is Question Mandatory : No Calculator : None Response Time : N.A Think Time : N.A Minimum Instruction Time : 0

Correct Marks : 5 Wrong Marks : 1

Question Key Details :

Key	Value
Comprehension	MCQ

How many purusarthas are defined in Hindu way of life?

1. 5
2. 4
3. 2
4. 3

Options :

- 485584137021. 1
- 485584137022. 2
- 485584137023. 3
- 485584137024. 4

Question Number : 301 Question Id : 48558434256 Question Type : MCQ Option Shuffling : No Is Question Mandatory : No Calculator : None Response Time : N.A Think Time : N.A Minimum Instruction Time : 0

Correct Marks : 5 Wrong Marks : 1

Question Key Details :

Key	Value
Comprehension	MCQ

இந்து வாழ்வியல் முறையில் எத்தனை புருஷார்தாக்கள் உள்ளன?

- 1. 5
- 2. 4
- 3. 2
- 4. 3

Options :

- 485584137021. 1
- 485584137022. 2
- 485584137023. 3
- 485584137024. 4

Question Number : 302 Question Id : 48558434257 Question Type : MCQ Option Shuffling : No Is Question Mandatory : No Calculator : None Response Time : N.A Think Time : N.A Minimum Instruction Time : 0

Correct Marks : 5 Wrong Marks : 1

Question Key Details :

Key	Value
Comprehension	MCQ

The word Dhamma is used in :

- 1. Rgveda
- 2. Bhagavad-Gita
- 3. Jain Ethics
- 4. Buddhism

Options :

- 485584137025. 1
- 485584137026. 2
- 485584137027. 3
- 485584137028. 4

Question Number : 302 Question Id : 48558434257 Question Type : MCQ Option Shuffling : No Is Question Mandatory : No Calculator : None Response Time : N.A Think Time : N.A Minimum Instruction Time : 0

Correct Marks : 5 Wrong Marks : 1

Question Key Details :

Key	Value
Comprehension	MCQ

தாமா என்ற வார்த்தை கீழ்க்கண்ட எதில் பயன்படுத்தப்பட்டது?

1. ரிக் வேதா
2. பகவத்கீதை
3. ஜெயின் நடைமுறை
4. புத்த மதம்

Options :

485584137025. 1
485584137026. 2
485584137027. 3
485584137028. 4

Question Number : 303 Question Id : 48558434258 Question Type : MCQ Option Shuffling : No Is Question Mandatory : No Calculator : None Response Time : N.A Think Time : N.A Minimum Instruction Time : 0

Correct Marks : 5 Wrong Marks : 1

Question Key Details :

Key	Value
Comprehension	MCQ

Which stage of life is the grahastha, stage of the householder in the Hindu way of life?

1. 4
2. 2
3. 1
4. 3

Options :

485584137029. 1
485584137030. 2
485584137031. 3
485584137032. 4

Question Number : 303 Question Id : 48558434258 Question Type : MCQ Option Shuffling : No Is Question Mandatory : No Calculator : None Response Time : N.A Think Time : N.A Minimum Instruction Time : 0

Correct Marks : 5 Wrong Marks : 1

Question Key Details :

Key	Value
Comprehension	MCQ

இந்து வாழ்வியல் முறையில் கிரகஷ்தா என்ற வீட்டுக்காரர் நிலை எத்தனையாவது நிலை?

1. 4

2. 2

3. 1

4. 3

Options :

485584137029. 1

485584137030. 2

485584137031. 3

485584137032. 4

Question Number : 304 Question Id : 48558434259 Question Type : MCQ Option Shuffling : No Is Question Mandatory : No Calculator : None Response Time : N.A Think Time : N.A Minimum Instruction Time : 0

Correct Marks : 5 Wrong Marks : 1

Question Key Details :

Key	Value
Comprehension	MCQ

Who among the following is associated with Niti Satakam?

1. Vidur

2. Sukracarya

3. Bhartrhari

4. King Bhoja

Options :

485584137033. 1

485584137034. 2

485584137035. 3

485584137036. 4

Question Number : 304 Question Id : 48558434259 Question Type : MCQ Option Shuffling : No Is Question Mandatory : No Calculator : None Response Time : N.A Think Time : N.A Minimum Instruction Time : 0

Correct Marks : 5 Wrong Marks : 1

Question Key Details :

Key	Value
Comprehension	MCQ

நிதி சடகத்துடன் தொடர்புடையவர் யார்?

1. விதுர்
2. சுகர்சார்ரிய
3. பரதர்ஹரி
4. அரசர் போஜா

Options :

485584137033. 1
485584137034. 2
485584137035. 3
485584137036. 4

Question Number : 305 Question Id : 48558434260 Question Type : MCQ Option Shuffling : No Is Question Mandatory : No Calculator : None Response Time : N.A Think Time : N.A Minimum Instruction Time : 0

Correct Marks : 5 Wrong Marks : 1

Question Key Details :

Key	Value
Comprehension	MCQ

Which among the following is the basis of the Buddhist ethics?

1. Compassion
2. Friendliness
3. Good will
4. Four Noble Truths

Options :

485584137037. 1
485584137038. 2
485584137039. 3
485584137040. 4

Question Number : 305 Question Id : 48558434260 Question Type : MCQ Option Shuffling : No Is Question Mandatory : No Calculator : None Response Time : N.A Think Time : N.A Minimum Instruction Time : 0

Correct Marks : 5 Wrong Marks : 1

Question Key Details :

Key	Value
Comprehension	MCQ

புத்தமத நன்னெறிகளின் அடிப்படை எது?

1. இரக்கம்
2. நட்பு
3. நல்லெண்ணம்
4. நான்கு அரிய உண்மைகள்

Options :

485584137037. 1
485584137038. 2
485584137039. 3
485584137040. 4

Question Number : 306 Question Id : 48558434261 Question Type : MCQ Option Shuffling : No Is Question Mandatory : No Calculator : None Response Time : N.A Think Time : N.A Minimum Instruction Time : 0

Correct Marks : 5 Wrong Marks : 1

Question Key Details :

Key	Value
Comprehension	MCQ

In which age the tradition of excavating cave temples and monolithic shrines evolved into the construction of brick and stone temple

1. Maurya age
2. Gupta age
3. Kushan age
4. Mughal age

Options :

485584137041. 1
485584137042. 2
485584137043. 3
485584137044. 4

Question Number : 306 Question Id : 48558434261 Question Type : MCQ Option Shuffling : No Is Question Mandatory : No Calculator : None Response Time : N.A Think Time : N.A Minimum Instruction Time : 0

Correct Marks : 5 Wrong Marks : 1

Question Key Details :

Key	Value
Comprehension	MCQ

கீழ்க்கண்ட எந்த வம்சத்தின் ஆட்சி காலத்தில் குகை கோயில்கள் மற்றும்
ஹைந்தைக்கல் சிவாலயங்கள் செங்கல் மற்றும் கற் கோவில்களாக கட்டப்பட்டன?

1. மௌரியர் காலம்
2. குப்தா காலம்
3. குஷான் காலம்
4. முகலாயர் காலம்

Options :

485584137041. 1
485584137042. 2
485584137043. 3
485584137044. 4

**Question Number : 307 Question Id : 48558434262 Question Type : MCQ Option Shuffling : No Is Question Mandatory :
No Calculator : None Response Time : N.A Think Time : N.A Minimum Instruction Time : 0**

Correct Marks : 5 Wrong Marks : 1

Question Key Details :

Key	Value
Comprehension	MCQ

Match List I with List II

LIST I		LIST II	
A.	Kuchipudi	I.	Uttar Pradesh
B.	Sattriya	II.	Tamil Nadu
C.	Kathak	III.	Andhra Pradesh
D.	Bharatanatyam	IV.	Assam

Choose the correct answer from the options given below:

1. A-III, B-I, C-IV, D-II
2. A-IV, B-II, C-I, D-III
3. A-III, B-IV, C-I, D-II
4. A-I, B-III, C-II, D-IV

Options :

485584137045. 1
485584137046. 2
485584137047. 3
485584137048. 4

**Question Number : 307 Question Id : 48558434262 Question Type : MCQ Option Shuffling : No Is Question Mandatory :
No Calculator : None Response Time : N.A Think Time : N.A Minimum Instruction Time : 0**

Correct Marks : 5 Wrong Marks : 1

Question Key Details :

Key	Value
-----	-------

பட்டியல் I ஐ பட்டியல் II உடன் பொருத்துக

பட்டியல் I		பட்டியல் II	
A.	குச்சிபுடி	I.	உத்தரப்பிரதேசம்
B.	சாட்ரியா	II.	தமிழ்நாடு
C.	கதக்	III.	ஆந்திரா பிரதேசம்
D.	பரதநாட்டியம்	IV.	அஸ்ஸாம்

கீழே தரப்பட்டுள்ள வாய்ப்புகளில் இருந்து சரியான விடையைத் தேர்ந்தெடுக்கவும்:

1. A-III, B-I, C-IV, D-II
2. A-IV, B-II, C-I, D-III
3. A-III, B-IV, C-I, D-II
4. A-I, B-III, C-II, D-IV

Options :

485584137045. 1
485584137046. 2
485584137047. 3
485584137048. 4

Question Number : 308 Question Id : 48558434263 Question Type : MCQ Option Shuffling : No Is Question Mandatory : No Calculator : None Response Time : N.A Think Time : N.A Minimum Instruction Time : 0

Correct Marks : 5 Wrong Marks : 1

Question Key Details :

Key	Value
Comprehension	MCQ

In India where do you find sculptures depicting odissi style?

1. Caves of Ellora
2. Caves of Udayagiri and Khandagiri
3. Caves of Ajanta
4. Caves of Nilgiri

Options :

485584137049. 1
485584137050. 2
485584137051. 3
485584137052. 4

Question Number : 308 Question Id : 48558434263 Question Type : MCQ Option Shuffling : No Is Question Mandatory : No Calculator : None Response Time : N.A Think Time : N.A Minimum Instruction Time : 0

Correct Marks : 5 Wrong Marks : 1

Question Key Details :

Key	Value
-----	-------

ஓடிசி பாணியில் அமைந்த சிற்பங்கள் இந்தியாவில் எங்கு காணலாம்?

1. எல்லோரா குகைகள்
2. உதயகிரி மற்றும் காந்தகிரி குகைகள்
3. அஜந்தா குகைகள்
4. நீலகிரி குகைகள்

Options :

485584137049. 1
485584137050. 2
485584137051. 3
485584137052. 4

Question Number : 309 Question Id : 48558434264 Question Type : MCQ Option Shuffling : No Is Question Mandatory : No Calculator : None Response Time : N.A Think Time : N.A Minimum Instruction Time : 0

Correct Marks : 5 Wrong Marks : 1

Question Key Details :

Key	Value
Comprehension	MCQ

In 1930s, E. Krishna Iyer and Rukmini Devi Arundale renamed Sadirattam as _____?

1. Odissi
2. Kucipudi
3. Manipuri
4. Bharatanatyam

Options :

485584137053. 1
485584137054. 2
485584137055. 3
485584137056. 4

Question Number : 309 Question Id : 48558434264 Question Type : MCQ Option Shuffling : No Is Question Mandatory : No Calculator : None Response Time : N.A Think Time : N.A Minimum Instruction Time : 0

Correct Marks : 5 Wrong Marks : 1

Question Key Details :

Key	Value
Comprehension	MCQ

கிருஷ்ணா ஐயர் மற்றும் ருக்மணி தேவி அருண்டேல் ஆகியோர் 1930-களில் சதிர் ஆட்டத்தின் பெயரை கீழ்க்கண்ட எதுவாக மாற்றினார்?

1. ஒடிசி
2. குச்சிபுடி
3. மணிபுரி
4. பரதநாட்டியம்

Options :

485584137053. 1
485584137054. 2
485584137055. 3
485584137056. 4

Question Number : 310 Question Id : 48558434265 Question Type : MCQ Option Shuffling : No Is Question Mandatory : No Calculator : None Response Time : N.A Think Time : N.A Minimum Instruction Time : 0

Correct Marks : 5 Wrong Marks : 1

Question Key Details :

Key	Value
Comprehension	MCQ

The (Brhadesvara) temple of Thanjavur belongs to which century?

1. 9th century
2. 10th Century
3. 11th Century
4. 12th Century

Options :

485584137057. 1
485584137058. 2
485584137059. 3
485584137060. 4

Question Number : 310 Question Id : 48558434265 Question Type : MCQ Option Shuffling : No Is Question Mandatory : No Calculator : None Response Time : N.A Think Time : N.A Minimum Instruction Time : 0

Correct Marks : 5 Wrong Marks : 1

Question Key Details :

Key	Value
Comprehension	MCQ

தஞ்சாவூரில் உள்ள (பிரகதீஸ்வரர்) கோவில் எந்த நூற்றாண்டை சார்ந்தது

1. 9வது நூற்றாண்டு
2. 10வது நூற்றாண்டு
3. 11வது நூற்றாண்டு
4. 12வது நூற்றாண்டு

Options :

485584137057. 1
485584137058. 2
485584137059. 3
485584137060. 4

Question Number : 311 Question Id : 48558434266 Question Type : MCQ Option Shuffling : No Is Question Mandatory : No Calculator : None Response Time : N.A Think Time : N.A Minimum Instruction Time : 0

Correct Marks : 5 Wrong Marks : 1

Question Key Details :

Key	Value
Comprehension	MCQ

Dharma required all including students in the ancient days to perform their

1. Work
2. Skills
3. Duty
4. Prayers

Options :

485584137061. 1
485584137062. 2
485584137063. 3
485584137064. 4

Question Number : 311 Question Id : 48558434266 Question Type : MCQ Option Shuffling : No Is Question Mandatory : No Calculator : None Response Time : N.A Think Time : N.A Minimum Instruction Time : 0

Correct Marks : 5 Wrong Marks : 1

Question Key Details :

Key	Value
Comprehension	MCQ

மாணவர்கள் உட்பட அனைவரும் முற்காலங்களில் கீழ்க்கண்ட ஏதனை செய்ய தர்மம் தேவைப்படுகிறது?

1. வேலை
2. திறமைகள்
3. கடமை
4. பிரார்த்தனைகள்

Options :

485584137061. 1
485584137062. 2
485584137063. 3
485584137064. 4

Question Number : 312 Question Id : 48558434267 Question Type : MCQ Option Shuffling : No Is Question Mandatory : No Calculator : None Response Time : N.A Think Time : N.A Minimum Instruction Time : 0

Correct Marks : 5 Wrong Marks : 1

Question Key Details :

Key	Value
Comprehension	MCQ

The Sastras are classified into:

1. Sastra and Kavya
2. Pauruseya and Apauruseya
3. Vedas and Vedangas
4. Siksa and Kalpa

Options :

485584137065. 1
485584137066. 2
485584137067. 3
485584137068. 4

Question Number : 312 Question Id : 48558434267 Question Type : MCQ Option Shuffling : No Is Question Mandatory : No Calculator : None Response Time : N.A Think Time : N.A Minimum Instruction Time : 0

Correct Marks : 5 Wrong Marks : 1

Question Key Details :

Key	Value
Comprehension	MCQ

சாஸ்திரங்கள் கீழ்க்கண்ட எவையாக வகைப்படுத்தப்பட்டுள்ளன?

1. சாஸ்திர மற்றும் காவ்யா
2. பாருசேயா மற்றும் அபூர்சேயா
3. வேதங்கள் மற்றும் வேதங்காக்கள்
4. சிக்ஸா மற்றும் கல்பா

Options :

485584137065. 1
485584137066. 2
485584137067. 3
485584137068. 4

Question Number : 313 Question Id : 48558434268 Question Type : MCQ Option Shuffling : No Is Question Mandatory : No Calculator : None Response Time : N.A Think Time : N.A Minimum Instruction Time : 0

Correct Marks : 5 Wrong Marks : 1

Question Key Details :

Key	Value
Comprehension	MCQ

Which among the following is not a part of Vedanga?

1. Siksa
2. Kavya
3. Kalpa
4. Vyakarana

Options :

485584137069. 1
485584137070. 2
485584137071. 3
485584137072. 4

Question Number : 313 Question Id : 48558434268 Question Type : MCQ Option Shuffling : No Is Question Mandatory : No Calculator : None Response Time : N.A Think Time : N.A Minimum Instruction Time : 0

Correct Marks : 5 Wrong Marks : 1

Question Key Details :

Key	Value
Comprehension	MCQ

கீழ்க்கண்ட எந்த ஒன்று வேதாங்காவின் பகுதி அல்ல?

1. சிக்ஷா
2. கவ்யா
3. கல்பா
4. வயகரானா

Options :

485584137069. 1
485584137070. 2
485584137071. 3
485584137072. 4

Question Number : 314 Question Id : 48558434269 Question Type : MCQ Option Shuffling : No Is Question Mandatory : No Calculator : None Response Time : N.A Think Time : N.A Minimum Instruction Time : 0

Correct Marks : 5 Wrong Marks : 1

Question Key Details :

Key	Value
Comprehension	MCQ

Pauruseya literature is also known as

1. Sruti literature
2. Sastrartha
3. Kavya
4. Smriti Literature

Options :

485584137073. 1
485584137074. 2
485584137075. 3
485584137076. 4

Question Number : 314 Question Id : 48558434269 Question Type : MCQ Option Shuffling : No Is Question Mandatory : No Calculator : None Response Time : N.A Think Time : N.A Minimum Instruction Time : 0

Correct Marks : 5 Wrong Marks : 1

Question Key Details :

Key	Value
Comprehension	MCQ

பாருசேயா இலக்கியத்தின் மற்றொரு பெயர்

1. சுருதி இலக்கியம்
2. சாஸ்தராதா
3. கவ்யா
4. ஸ்மித்ரி இலக்கியங்கள்

Options :

485584137073. 1
485584137074. 2
485584137075. 3
485584137076. 4

Question Number : 315 Question Id : 48558434270 Question Type : MCQ Option Shuffling : No Is Question Mandatory : No Calculator : None Response Time : N.A Think Time : N.A Minimum Instruction Time : 0

Correct Marks : 5 Wrong Marks : 1

Question Key Details :

Key	Value
Comprehension	MCQ

Which among the following is not a stage of path to knowledge as given in the Brhadaranyaka upanisad?

1. Sravana
2. Sastrartha
3. Manana
4. Nidhidhyasana

Options :

485584137077. 1
485584137078. 2
485584137079. 3
485584137080. 4

Question Number : 315 Question Id : 48558434270 Question Type : MCQ Option Shuffling : No Is Question Mandatory : No Calculator : None Response Time : N.A Think Time : N.A Minimum Instruction Time : 0

Correct Marks : 5 Wrong Marks : 1

Question Key Details :

Key	Value
Comprehension	MCQ

பிர்ஹரதாரண்யா உபநிஷத்தில் குறிப்பிடப்பட்டுள்ள படி ஞானம் அடையும் வழியின் ஒரு நிலையான கீழ்க்கண்ட எது இருக்காது?

1. ஷர்வனா
2. சாஸ்தர்தா
3. மனானா
4. நிதிதாயாஸானா

Options :

485584137077. 1
485584137078. 2
485584137079. 3
485584137080. 4

Question Number : 316 Question Id : 48558434271 Question Type : MCQ Option Shuffling : No Is Question Mandatory : No Calculator : None Response Time : N.A Think Time : N.A Minimum Instruction Time : 0

Correct Marks : 5 Wrong Marks : 1

Question Key Details :

Key	Value
Comprehension	MCQ

Arrange the four ends of life (Purusartha Catustaya) in sequence.

- A. Kama
- B. Moksa
- C. Artha
- D. Dharma

Choose the correct answer from the options given below:

1. A, B, D, C
2. B, C, A, D
3. D, C, A, B
4. C, A, B, D

Options :

485584137081. 1
485584137082. 2
485584137083. 3
485584137084. 4

Question Number : 316 Question Id : 48558434271 Question Type : MCQ Option Shuffling : No Is Question Mandatory : No Calculator : None Response Time : N.A Think Time : N.A Minimum Instruction Time : 0

Correct Marks : 5 Wrong Marks : 1

Question Key Details :

Key	Value
Comprehension	MCQ

வாழ்வின் நான்கு இறுதி நிலைகளை (புருஷார்த காட்டுஸ்டாயா) வரிசைபடுத்து

- A. காமா
- B. மோட்சா
- C. அர்தா
- D. தர்மா

கீழே தரப்பட்டுள்ள வாய்ப்புகளில் இருந்து சரியான விடையைத் தேர்ந்தெடுக்கவும்:

- 1. A, B, D, C
- 2. B, C, A, D
- 3. D, C, A, B
- 4. C, A, B, D

Options :

- 485584137081. 1
- 485584137082. 2
- 485584137083. 3
- 485584137084. 4

Question Number : 317 Question Id : 48558434272 Question Type : MCQ Option Shuffling : No Is Question Mandatory : No Calculator : None Response Time : N.A Think Time : N.A Minimum Instruction Time : 0

Correct Marks : 5 Wrong Marks : 1

Question Key Details :

Key	Value
Comprehension	MCQ

Name the Chinese Scholars who visited Nalanda in the 7th century CE.

- A. I-tsing
- B. Hsuan-tsang
- C. Ba Jin
- D. Kang Youwei

Choose the correct answer from the options given below:

- 1. A and B only
- 2. B and C only
- 3. C and D only
- 4. D and A only

Options :

- 485584137085. 1
- 485584137086. 2
- 485584137087. 3
- 485584137088. 4

Question Number : 317 Question Id : 48558434272 Question Type : MCQ Option Shuffling : No Is Question Mandatory : No Calculator : None Response Time : N.A Think Time : N.A Minimum Instruction Time : 0

Correct Marks : 5 Wrong Marks : 1

Question Key Details :

Key	Value
Comprehension	MCQ

7-வது நூற்றாண்டு CE-யில் நாளாந்தவிற்கு வருகை புரிந்த சீன அறிஞர்கள் யாவர்?

- A. ஐட்சின்
- B. யுவான்-சுவாங்
- C. பா ஜின்
- D. காங் யுவாப்

கீழே தரப்பட்டுள்ள வாய்ப்புகளில் இருந்து சரியான விடையைத் தேர்ந்தெடுக்கவும்:

1. A மற்றும் B மட்டும்
2. B மற்றும் C மட்டும்
3. C மற்றும் D மட்டும்
4. D மற்றும் A மட்டும்

Options :

- 485584137085. 1
- 485584137086. 2
- 485584137087. 3
- 485584137088. 4

Question Number : 318 Question Id : 48558434273 Question Type : MCQ Option Shuffling : No Is Question Mandatory : No Calculator : None Response Time : N.A Think Time : N.A Minimum Instruction Time : 0

Correct Marks : 5 Wrong Marks : 1

Question Key Details :

Key	Value
Comprehension	MCQ

Match List I with List II

LIST I		LIST II	
A.	Krida	I.	Archery, sword play
B.	Vyayama Prakara	II.	Pranayama, asana
C.	Yoga - Sadhana	III.	games, recreational activities
D.	Dhanurveda	IV.	Various types of exercises

Choose the correct answer from the options given below:

1. A-III, B-II, C-IV, D-I
2. A-II, B-III, C-I, D-IV
3. A-III, B-IV, C-II, D-I
4. A-I, B-II, C-III, D-IV

Options :

485584137089. 1
485584137090. 2
485584137091. 3
485584137092. 4

Question Number : 318 Question Id : 48558434273 Question Type : MCQ Option Shuffling : No Is Question Mandatory : No Calculator : None Response Time : N.A Think Time : N.A Minimum Instruction Time : 0

Correct Marks : 5 Wrong Marks : 1

Question Key Details :

Key	Value
Comprehension	MCQ

பட்டியல் I ஐ பட்டியல் II உடன் பொருத்துக

பட்டியல் I		பட்டியல் II	
A.	கிரிடா	I.	வில், கத்தி விளையாட்டு
B.	வியாமா பிரகாரா	II.	பிரயாணாமா, ஆசனா
C.	யோக-சாதனா	III.	விளையாட்டு, பொழுதுபோக்கு செயல்கள்
D.	தனுர்வேதம்	IV.	பலவகையான உடற்பயிற்சிகள்

கீழே தரப்பட்டுள்ள வாய்ப்புகளில் இருந்து சரியான விடையைத் தேர்ந்தெடுக்கவும்:

1. A-III, B-II, C-IV, D-I
2. A-II, B-III, C-I, D-IV
3. A-III, B-IV, C-II, D-I
4. A-I, B-II, C-III, D-IV

Options :

485584137089. 1
485584137090. 2
485584137091. 3
485584137092. 4

Question Number : 319 Question Id : 48558434274 Question Type : MCQ Option Shuffling : No Is Question Mandatory :
No Calculator : None Response Time : N.A Think Time : N.A Minimum Instruction Time : 0
Correct Marks : 5 Wrong Marks : 1
Question Key Details :

Key	Value
Comprehension	MCQ

Three gems in life are right vision, right knowledge and _____

1. right choice
2. right step
3. right conduct
4. right word

Options :

485584137093. 1
485584137094. 2
485584137095. 3
485584137096. 4

Question Number : 319 Question Id : 48558434274 Question Type : MCQ Option Shuffling : No Is Question Mandatory :
No Calculator : None Response Time : N.A Think Time : N.A Minimum Instruction Time : 0
Correct Marks : 5 Wrong Marks : 1
Question Key Details :

Key	Value
Comprehension	MCQ

சரியான பார்வை, சரியான ஞானம் மற்றும் _____ வாழ்வின் மூன்று முக்கிய ரத்தினங்கள்

1. நல்ல தேர்வு
2. நல்ல நடை
3. நல்ல நடத்தை
4. நல்ல வார்த்தை

Options :

485584137093. 1
485584137094. 2
485584137095. 3
485584137096. 4

Question Number : 320 Question Id : 48558434275 Question Type : MCQ Option Shuffling : No Is Question Mandatory :
No Calculator : None Response Time : N.A Think Time : N.A Minimum Instruction Time : 0
Correct Marks : 5 Wrong Marks : 1
Question Key Details :

Key	Value
-----	-------

Comprehension	MCQ
---------------	-----

According to Jainism Spiritual growth is dependent upon _____

1. religious rituals
2. hygienic food
3. meditation
4. right conduct

Options :

485584137097. 1
485584137098. 2
485584137099. 3
485584137100. 4

Question Number : 320 Question Id : 48558434275 Question Type : MCQ Option Shuffling : No Is Question Mandatory : No Calculator : None Response Time : N.A Think Time : N.A Minimum Instruction Time : 0

Correct Marks : 5 Wrong Marks : 1

Question Key Details :

Key	Value
Comprehension	MCQ

ஜெயின் தத்துவத்தின் படி ஆன்மீக வளர்ச்சி கீழ்க்கண்ட எதனை சார்ந்தது?

1. மத சடங்குகள்
2. தூய்மையான உணவு
3. தியானம்
4. நன்னடத்தை

Options :

485584137097. 1
485584137098. 2
485584137099. 3
485584137100. 4

Question Number : 321 Question Id : 48558434276 Question Type : MCQ Option Shuffling : No Is Question Mandatory : No Calculator : None Response Time : N.A Think Time : N.A Minimum Instruction Time : 0

Correct Marks : 5 Wrong Marks : 1

Question Key Details :

Key	Value
Comprehension	MCQ

Who are the first poets according to the ancient Indian Tradition?

1. Rshis
2. Vedic Seers
3. Dialecticians
4. Grammarians

Options :

485584137101. 1
485584137102. 2
485584137103. 3
485584137104. 4

Question Number : 321 Question Id : 48558434276 Question Type : MCQ Option Shuffling : No Is Question Mandatory : No Calculator : None Response Time : N.A Think Time : N.A Minimum Instruction Time : 0

Correct Marks : 5 Wrong Marks : 1

Question Key Details :

Key	Value
Comprehension	MCQ

பழங்கால இந்திய மரபுப்படி கீழ்க்கண்டோரில் யார் முதல் கவிஞர்கள்?

1. ரிஷிகள்
2. வேதம் பயின்ற குருக்கள்
3. டையா லெக்டிசியன்கள்
4. இலக்கணவாதிகள்

Options :

485584137101. 1
485584137102. 2
485584137103. 3
485584137104. 4

Question Number : 322 Question Id : 48558434277 Question Type : MCQ Option Shuffling : No Is Question Mandatory : No Calculator : None Response Time : N.A Think Time : N.A Minimum Instruction Time : 0

Correct Marks : 5 Wrong Marks : 1

Question Key Details :

Key	Value
Comprehension	MCQ

Which among the following is referred as 'one of the living monuments of human intelligence'?

1. Language
2. Astadhyayi
3. Mahabhasya
4. Vakyapadiya

Options :

485584137105. 1
485584137106. 2
485584137107. 3
485584137108. 4

Question Number : 322 Question Id : 48558434277 Question Type : MCQ Option Shuffling : No Is Question Mandatory : No Calculator : None Response Time : N.A Think Time : N.A Minimum Instruction Time : 0

Correct Marks : 5 Wrong Marks : 1

Question Key Details :

Key	Value
Comprehension	MCQ

கீழ்க்கண்ட எந்த ஒன்று " மனித அறிவாற்றலின் வாழும் நினைவுச்சின்னங்களில் ஒன்று" என அழைக்கப்படுகிறது?

1. மொழி
2. அஸ்த்தயாயி
3. மஹாபாஸ்யா
4. வாக்ய பாடியா

Options :

485584137105. 1
485584137106. 2
485584137107. 3
485584137108. 4

Question Number : 323 Question Id : 48558434278 Question Type : MCQ Option Shuffling : No Is Question Mandatory : No Calculator : None Response Time : N.A Think Time : N.A Minimum Instruction Time : 0

Correct Marks : 5 Wrong Marks : 1

Question Key Details :

Key	Value
Comprehension	MCQ

How many sutras are given in the invaluable work of Panini's Astadhyayi?

1. 2,000
2. 1,000
3. 4,000
4. 3,000

Options :

485584137109. 1
485584137110. 2
485584137111. 3
485584137112. 4

Question Number : 323 Question Id : 48558434278 Question Type : MCQ Option Shuffling : No Is Question Mandatory : No Calculator : None Response Time : N.A Think Time : N.A Minimum Instruction Time : 0

Correct Marks : 5 Wrong Marks : 1

Question Key Details :

Key	Value
Comprehension	MCQ

மதிப்புமிக்க பாணினியின் அஸ்த்தயாயில் தரப்பட்டுள்ள சூத்திரர்களின் எண்ணிக்கை?

1. 2,000
2. 1,000
3. 4,000
4. 3,000

Options :

485584137109. 1
485584137110. 2
485584137111. 3
485584137112. 4

Question Number : 324 Question Id : 48558434279 Question Type : MCQ Option Shuffling : No Is Question Mandatory : No Calculator : None Response Time : N.A Think Time : N.A Minimum Instruction Time : 0

Correct Marks : 5 Wrong Marks : 1

Question Key Details :

Key	Value
Comprehension	MCQ

Match List I with List II

LIST I		LIST II	
A.	Ghumar	I.	Ring dance
B.	Kalbela	II.	Rhythmic Clapping
C.	Giddha	III.	Swirling robes
D.	Garba	IV.	Black Swirling skirts

Choose the correct answer from the options given below:

1. A-I, B-II, C-III, D-IV
2. A-III, B-IV, C-I, D-II
3. A-II, B-III, C-IV, D-I
4. A-I, B-II, C-IV, D-III

Options :

485584137113. 1
485584137114. 2
485584137115. 3
485584137116. 4

Question Number : 324 Question Id : 48558434279 Question Type : MCQ Option Shuffling : No Is Question Mandatory : No Calculator : None Response Time : N.A Think Time : N.A Minimum Instruction Time : 0

Correct Marks : 5 Wrong Marks : 1

Question Key Details :

Key	Value
Comprehension	MCQ

பட்டியல் I ஐ பட்டியல் II உடன் பொருத்துக

பட்டியல் I		பட்டியல் II	
A.	க்குமார்	I.	வளைய நடனம்
B.	கல்பேலியா	II.	ஒத்திசைவு கைத்தட்டல்
C.	கிட்டா	III.	கயிறு சுழற்றுதல்
D.	கர்பா	IV.	கருப்பு நிற குட்டைபாவாடை சுழற்றுதல்

கீழே தரப்பட்டுள்ள வாய்ப்புகளில் இருந்து சரியான விடையைத் தேர்ந்தெடுக்கவும்:

1. A-I, B-II, C-III, D-IV
2. A-III, B-IV, C-I, D-II
3. A-II, B-III, C-IV, D-I
4. A-I, B-II, C-IV, D-III

Options :

485584137113. 1
485584137114. 2
485584137115. 3
485584137116. 4

Question Number : 325 Question Id : 48558434280 Question Type : MCQ Option Shuffling : No Is Question Mandatory : No Calculator : None Response Time : N.A Think Time : N.A Minimum Instruction Time : 0

Correct Marks : 5 Wrong Marks : 1

Question Key Details :

Key	Value
Comprehension	MCQ

Hindu temple architecture is divided into different types. Choose the correct number to define different types.

1. 3

2. 2

3. 4

4. 1

Options :

485584137117. 1

485584137118. 2

485584137119. 3

485584137120. 4

Question Number : 325 Question Id : 48558434280 Question Type : MCQ Option Shuffling : No Is Question Mandatory : No Calculator : None Response Time : N.A Think Time : N.A Minimum Instruction Time : 0

Correct Marks : 5 Wrong Marks : 1

Question Key Details :

Key	Value
Comprehension	MCQ

இந்து கோவில்களின் கட்டிடக்கலை கீழ் கண்ட எத்தனை வகைகளாக பிரிக்கப்பட்டுள்ளன?

1. 3

2. 2

3. 4

4. 1

Options :

485584137117. 1

485584137118. 2

485584137119. 3

485584137120. 4

Question Number : 326 Question Id : 48558434281 Question Type : MCQ Option Shuffling : No Is Question Mandatory : No Calculator : None Response Time : N.A Think Time : N.A Minimum Instruction Time : 0

Correct Marks : 5 Wrong Marks : 1

Question Key Details :

Key	Value
Comprehension	MCQ

The origin of Indian temple architecture can be traced to

1. Vedic times
2. Gupta Period
3. Medieval Period
4. Modern Period

Options :

485584137121. 1
485584137122. 2
485584137123. 3
485584137124. 4

Question Number : 326 Question Id : 48558434281 Question Type : MCQ Option Shuffling : No Is Question Mandatory : No Calculator : None Response Time : N.A Think Time : N.A Minimum Instruction Time : 0

Correct Marks : 5 Wrong Marks : 1

Question Key Details :

Key	Value
Comprehension	MCQ

இந்திய கோவில் கட்டடக்கலையின் தோற்றம் எப்போது ஆரம்பிக்கப்பட்டது?

1. வேத காலத்தில்
2. குப்தர் காலத்தில்
3. இடை காலத்தில்
4. நவீன காலத்தில்

Options :

485584137121. 1
485584137122. 2
485584137123. 3
485584137124. 4

Question Number : 327 Question Id : 48558434282 Question Type : MCQ Option Shuffling : No Is Question Mandatory : No Calculator : None Response Time : N.A Think Time : N.A Minimum Instruction Time : 0

Correct Marks : 5 Wrong Marks : 1

Question Key Details :

Key	Value
Comprehension	MCQ

One central objective of Indian temple architecture is to connect human beings to

1. The world
2. The Religion
3. The community
4. The Universe

Options :

485584137125. 1
485584137126. 2
485584137127. 3
485584137128. 4

Question Number : 327 Question Id : 48558434282 Question Type : MCQ Option Shuffling : No Is Question Mandatory : No Calculator : None Response Time : N.A Think Time : N.A Minimum Instruction Time : 0

Correct Marks : 5 Wrong Marks : 1

Question Key Details :

Key	Value
Comprehension	MCQ

இந்திய கோவில் கட்டிடக்கலையின் மைய நோக்கம் மனிதர்களை கீழ்க்கண்ட எதனுடன் தொடர்புபடுத்துதல் ஆகும்?

1. உலகம்
2. மதம்
3. இனம்
4. அண்டம்

Options :

485584137125. 1
485584137126. 2
485584137127. 3
485584137128. 4

Question Number : 328 Question Id : 48558434283 Question Type : MCQ Option Shuffling : No Is Question Mandatory : No Calculator : None Response Time : N.A Think Time : N.A Minimum Instruction Time : 0

Correct Marks : 5 Wrong Marks : 1

Question Key Details :

Key	Value
Comprehension	MCQ

What is the concept of monolithic temples among the following:

1. Carved wholly out of one piece of rock
2. made in monolithic era
3. made in stones from very ancient times
4. only the deity is carved from and one stone

Options :

485584137129. 1
485584137130. 2
485584137131. 3
485584137132. 4

Question Number : 328 Question Id : 48558434283 Question Type : MCQ Option Shuffling : No Is Question Mandatory : No Calculator : None Response Time : N.A Think Time : N.A Minimum Instruction Time : 0

Correct Marks : 5 Wrong Marks : 1

Question Key Details :

Key	Value
Comprehension	MCQ

ஓற்றைக்கல் கோவில்களின் அடிப்படை கருத்து என்ன?

1. ஓற்றை கல்லை குடைந்து ஏற்படுத்தப்பட்டது.
2. இடைக்காலத்தில் ஏற்பட்டன
3. மிகப்பழமையான கற்களை கொண்டு உருவாக்கப்பட்டது
4. தெய்வம் மட்டுமே ஒரே கல்லில் இருந்து செதுக்கப்பட்டது

Options :

485584137129. 1
485584137130. 2
485584137131. 3
485584137132. 4

Question Number : 329 Question Id : 48558434284 Question Type : MCQ Option Shuffling : No Is Question Mandatory : No Calculator : None Response Time : N.A Think Time : N.A Minimum Instruction Time : 0

Correct Marks : 5 Wrong Marks : 1

Question Key Details :

Key	Value
Comprehension	MCQ

How many types of fight are included in vajramusti?

1. 6
2. 4
3. 3
4. 5

Options :

485584137133. 1
485584137134. 2
485584137135. 3
485584137136. 4

Question Number : 329 Question Id : 48558434284 Question Type : MCQ Option Shuffling : No Is Question Mandatory : No Calculator : None Response Time : N.A Think Time : N.A Minimum Instruction Time : 0

Correct Marks : 5 Wrong Marks : 1

Question Key Details :

Key	Value
Comprehension	MCQ

வஜ்ரமுஸ்தி-யில் உள்ளடங்கி உள்ள சண்டைகளின் வகைகள்

1. 6
2. 4
3. 3
4. 5

Options :

485584137133. 1
485584137134. 2
485584137135. 3
485584137136. 4

Question Number : 330 Question Id : 48558434285 Question Type : MCQ Option Shuffling : No Is Question Mandatory : No Calculator : None Response Time : N.A Think Time : N.A Minimum Instruction Time : 0

Correct Marks : 5 Wrong Marks : 1

Question Key Details :

Key	Value
Comprehension	MCQ

Give name of one of the oldest Martial Arts in existence which is said to have originated in Kerala?

1. Ankavinoda
2. Sastrasrama
3. Mallakhamba
4. Kalaripayattu

Options :

485584137137. 1
485584137138. 2
485584137139. 3
485584137140. 4

Question Number : 330 Question Id : 48558434285 Question Type : MCQ Option Shuffling : No Is Question Mandatory : No Calculator : None Response Time : N.A Think Time : N.A Minimum Instruction Time : 0

Correct Marks : 5 Wrong Marks : 1

Question Key Details :

Key	Value
Comprehension	MCQ

கேரளாவில் இருந்து தோன்றி இன்று வரை நிலைத்துள்ள மிகப்பழமையான தற்காப்புக் கலையின் பெயர் என்ன?

1. அங்காவினோடா
2. சாஸ்தரசர்மா
3. மல்லாகம்பா
4. களரிபாயாட்டு

Options :

485584137137. 1
485584137138. 2
485584137139. 3
485584137140. 4

Question Number : 331 Question Id : 48558434286 Question Type : MCQ Option Shuffling : No Is Question Mandatory : No Calculator : None Response Time : N.A Think Time : N.A Minimum Instruction Time : 0

Correct Marks : 5 Wrong Marks : 1

Question Key Details :

Key	Value
Comprehension	MCQ

Chint was brought to Europe by which traders?

1. Italian and German traders
2. Portuguese and Dutch traders
3. Dutch and Italian Traders
4. German and Irish Traders

Options :

485584137141. 1
485584137142. 2
485584137143. 3
485584137144. 4

Question Number : 331 Question Id : 48558434286 Question Type : MCQ Option Shuffling : No Is Question Mandatory : No Calculator : None Response Time : N.A Think Time : N.A Minimum Instruction Time : 0

Correct Marks : 5 Wrong Marks : 1

Question Key Details :

Key	Value
Comprehension	MCQ

கீழ்க்கண்ட எந்த வர்த்தகர்கள் "சிண்ட்"- ஐ ஐரோப்பாவிற்கு கொண்டுவந்தனர்?

1. இத்தாலி மற்றும் ஜெர்மன் வர்த்தகர்கள்
2. போர்சுகீசிய மற்றும் டச்சு வர்த்தகர்கள்
3. டச்சு மற்றும் இத்தாலிய வர்த்தகர்கள்
4. ஜெர்மன் மற்றும் ஐரிஷ் வர்த்தகர்கள்

Options :

485584137141. 1
485584137142. 2
485584137143. 3
485584137144. 4

Question Number : 332 Question Id : 48558434287 Question Type : MCQ Option Shuffling : No Is Question Mandatory : No Calculator : None Response Time : N.A Think Time : N.A Minimum Instruction Time : 0

Correct Marks : 5 Wrong Marks : 1

Question Key Details :

Key	Value
Comprehension	MCQ

Name the textile made from unbleached cotton?

1. Calico
2. Linen
3. Jute
4. Hemp

Options :

485584137145. 1
485584137146. 2
485584137147. 3
485584137148. 4

Question Number : 332 Question Id : 48558434287 Question Type : MCQ Option Shuffling : No Is Question Mandatory : No Calculator : None Response Time : N.A Think Time : N.A Minimum Instruction Time : 0

Correct Marks : 5 Wrong Marks : 1

Question Key Details :

Key	Value
Comprehension	MCQ

மேலும் வெண்மையாக்கப் படாத பஞ்சில் இருந்து தயாரிக்கப்படும் துணியின் பெயர் என்ன?

1. காலிகோ
2. லினன்
3. ஜீட்
4. ஹெம்ப்

Options :

485584137145. 1
485584137146. 2
485584137147. 3
485584137148. 4

Question Number : 333 Question Id : 48558434288 Question Type : MCQ Option Shuffling : No Is Question Mandatory : No Calculator : None Response Time : N.A Think Time : N.A Minimum Instruction Time : 0

Correct Marks : 5 Wrong Marks : 1

Question Key Details :

Key	Value
Comprehension	MCQ

Arrange the technologies according to their origin time period:

- A. Art of paper making
- B. Pottery
- C. Rockets
- D. Fired Bricks

Choose the correct answer from the options given below:

1. A, B, C, D
2. D, C, A, B
3. D, B, A, C
4. B, C, A, D

Options :

- 485584137149. 1
- 485584137150. 2
- 485584137151. 3
- 485584137152. 4

Question Number : 333 Question Id : 48558434288 Question Type : MCQ Option Shuffling : No Is Question Mandatory : No Calculator : None Response Time : N.A Think Time : N.A Minimum Instruction Time : 0

Correct Marks : 5 Wrong Marks : 1

Question Key Details :

Key	Value
Comprehension	MCQ

கீழ்க்கண்ட தொழில் நுட்பங்களை அவற்றின் தோற்றத்தின் அடிப்படையில் வரிசைபடுத்து

- A. பேப்பர் தயாரிப்பு கலை
- B. மண்பாண்டம் செய்தல்
- C. ராகெட்கள்
- D. சுட்ட செங்கற்கள்

கீழே தரப்பட்டுள்ள வாய்ப்புகளில் இருந்து சரியான விடையைத் தேர்ந்தெடுக்கவும்:

1. A, B, C, D
2. D, C, A, B
3. D, B, A, C
4. B, C, A, D

Options :

- 485584137149. 1
- 485584137150. 2
- 485584137151. 3
- 485584137152. 4

Question Number : 334 Question Id : 48558434289 Question Type : MCQ Option Shuffling : No Is Question Mandatory : No Calculator : None Response Time : N.A Think Time : N.A Minimum Instruction Time : 0

Correct Marks : 5 Wrong Marks : 1

Question Key Details :

Key	Value
Comprehension	MCQ

Which two countries together controlling nearly 60 per cent of the worlds GDP 2,000 year ago.

- A. India
- B. China
- C. Romans
- D. East Africa

Choose the correct answer from the options given below:

- 1. A and C only
- 2. B and D only
- 3. A and B only
- 4. C and D only

Options :

- 485584137153. 1
- 485584137154. 2
- 485584137155. 3
- 485584137156. 4

Question Number : 334 Question Id : 48558434289 Question Type : MCQ Option Shuffling : No Is Question Mandatory : No Calculator : None Response Time : N.A Think Time : N.A Minimum Instruction Time : 0

Correct Marks : 5 Wrong Marks : 1

Question Key Details :

Key	Value
Comprehension	MCQ

2,000 ஆண்டுகளுக்கு முன் கீழ்க்கண்ட எந்த இரண்டு நாடுகள் உலகின் சுமார் 60 சதவீத GDP-யை கட்டுப்படுத்தின

- A. இந்திய
- B. சீனா
- C. ரோமர்கள்
- D. கிழக்கு ஆப்பிரிக்க

கீழே தரப்பட்டுள்ள வாய்ப்புகளில் இருந்து சரியான விடையைத் தேர்ந்தெடுக்கவும்:

- 1. A மற்றும் C மட்டும்
- 2. B மற்றும் D மட்டும்
- 3. A மற்றும் B மட்டும்
- 4. C மற்றும் D மட்டும்

Options :

- 485584137153. 1
- 485584137154. 2
- 485584137155. 3
- 485584137156. 4

Question Number : 335 Question Id : 48558434290 Question Type : MCQ Option Shuffling : No Is Question Mandatory : No Calculator : None Response Time : N.A Think Time : N.A Minimum Instruction Time : 0

Correct Marks : 5 Wrong Marks : 1

Question Key Details :

Key	Value
Comprehension	MCQ

In which century, Roman empire began the trade with India?

- 1. 3rd Century BCE
- 2. 4th Century BCE
- 3. 2nd Century BCE
- 4. 5th Century BCE

Options :

- 485584137157. 1
- 485584137158. 2
- 485584137159. 3
- 485584137160. 4

Question Number : 335 Question Id : 48558434290 Question Type : MCQ Option Shuffling : No Is Question Mandatory : No Calculator : None Response Time : N.A Think Time : N.A Minimum Instruction Time : 0

Correct Marks : 5 Wrong Marks : 1

Question Key Details :

Key	Value
-----	-------

கீழ்க்கண்ட எந்த நூற்றாண்டில் ரோமப்பேரரசு இந்தியாவில் வணிகம் செய்யத் துவங்கியது?

1. 3rd Century BCE
2. 4th Century BCE
3. 2nd Century BCE
4. 5th Century BCE

Options :

485584137157. 1
485584137158. 2
485584137159. 3
485584137160. 4

Question Number : 336 Question Id : 48558434291 Question Type : MCQ Option Shuffling : No Is Question Mandatory : No Calculator : None Response Time : N.A Think Time : N.A Minimum Instruction Time : 0

Correct Marks : 5 Wrong Marks : 1

Question Key Details :

Key	Value
Comprehension	MCQ

Match List I with List II

LIST I		LIST II	
A.	Chau	I.	Harvest time
B.	Bihu	II.	Polished Sticks
C.	Dollu Kunitha	III.	Mask
D.	Dandiya	IV.	drum dance

Choose the correct answer from the options given below:

1. A-III, B-I, C-IV, D-II
2. A-II, B-I, C-III, D-IV
3. A-IV, B-III, C-II, D-I
4. A-I, B-II, C-III, D-IV

Options :

485584137161. 1
485584137162. 2
485584137163. 3
485584137164. 4

Question Number : 336 Question Id : 48558434291 Question Type : MCQ Option Shuffling : No Is Question Mandatory : No Calculator : None Response Time : N.A Think Time : N.A Minimum Instruction Time : 0

Correct Marks : 5 Wrong Marks : 1

Question Key Details :

Key	Value
Comprehension	MCQ

பட்டியல் I ஐ பட்டியல் II உடன் பொருத்துக

பட்டியல் I		பட்டியல் II	
A.	சலூ	I.	அறுவடை காலம்
B.	பிசூ	II.	பளபளப்பாக்கப்பட்ட குச்சிகள்
C.	தோளு குனிதா	III.	முகமூடி
D.	தாண்டியா	IV.	பறை ஆட்டம்

கீழே தரப்பட்டுள்ள வாய்ப்புகளில் இருந்து சரியான விடையைத் தேர்ந்தெடுக்கவும்:

1. A-III, B-I, C-IV, D-II
2. A-II, B-I, C-III, D-IV
3. A-IV, B-III, C-II, D-I
4. A-I, B-II, C-III, D-IV

Options :

485584137161. 1
485584137162. 2
485584137163. 3
485584137164. 4

Question Number : 337 Question Id : 48558434292 Question Type : MCQ Option Shuffling : No Is Question Mandatory : No Calculator : None Response Time : N.A Think Time : N.A Minimum Instruction Time : 0

Correct Marks : 5 Wrong Marks : 1

Question Key Details :

Key	Value
Comprehension	MCQ

Silpasastra or Vastu Vidya the science of architecture was studied in ancient India within

- A. Ayurveda
- B. Dhanurved
- C. Jyotisa
- D. Rgveda

Choose the correct answer from the options given below:

1. B, D, C only
2. A, C, D only
3. A, D, B only
4. A, B, C only

Options :

485584137165. 1
485584137166. 2
485584137167. 3

485584137168.4

Question Number : 337 Question Id : 48558434292 Question Type : MCQ Option Shuffling : No Is Question Mandatory : No Calculator : None Response Time : N.A Think Time : N.A Minimum Instruction Time : 0

Correct Marks : 5 Wrong Marks : 1

Question Key Details :

Key	Value
Comprehension	MCQ

சிற்ப சாஸ்திர அல்லது வாஸ்து வித்யா என்ற பழங்கால இந்தியாவின் கட்டிடக்கலை அறிவியல் கீழ்க்கண்ட எதனுடன் பிடிக்கப்பட்டது?

- A. ஆயுர்வேதம்
- B. தனுர்வேதம்
- C. ஜோதிஸ்டா
- D. ரிக்வேதா

கீழே தரப்பட்டுள்ள வாய்ப்புகளில் இருந்து சரியான விடையைத் தேர்ந்தெடுக்கவும்:

- 1. B, D, C மட்டும்
- 2. A, C, D மட்டும்
- 3. A, D, B மட்டும்
- 4. A, B, C மட்டும்

Options :

485584137165.1

485584137166.2

485584137167.3

485584137168.4

Question Number : 338 Question Id : 48558434293 Question Type : MCQ Option Shuffling : No Is Question Mandatory : No Calculator : None Response Time : N.A Think Time : N.A Minimum Instruction Time : 0

Correct Marks : 5 Wrong Marks : 1

Question Key Details :

Key	Value
Comprehension	MCQ

Match List I with List II

LIST I		LIST II	
A.	Kucipudi	I.	Manipur
B.	Manipuri	II.	Uttar Pradesh
C.	Odissi	III.	Andhra Pradesh
D.	Kathak	IV.	Odisha

Choose the correct answer from the options given below:

1. A-III, B-I, C-IV, D-II
2. A-I, B-II, C-III, D-IV
3. A-III, B-II, C-I, D-IV
4. A-IV, B-III, C-II, D-I

Options :

485584137169. 1
485584137170. 2
485584137171. 3
485584137172. 4

Question Number : 338 Question Id : 48558434293 Question Type : MCQ Option Shuffling : No Is Question Mandatory : No Calculator : None Response Time : N.A Think Time : N.A Minimum Instruction Time : 0

Correct Marks : 5 Wrong Marks : 1

Question Key Details :

Key	Value
Comprehension	MCQ

பட்டியல் I ஐ பட்டியல் II உடன் பொருத்துக

பட்டியல் I		பட்டியல் II	
A.	குச்சிப்புடி	I.	மணிப்பூர்
B.	மணிப்புரி	II.	உத்தரப்பிரதேசம்
C.	ஒடிசி	III.	ஆந்திரப்பிரதேசம்
D.	கதக்	IV.	ஒடிஸா

கீழே தரப்பட்டுள்ள வாய்ப்புகளில் இருந்து சரியான விடையைத் தேர்ந்தெடுக்கவும்:

1. A-III, B-I, C-IV, D-II
2. A-I, B-II, C-III, D-IV
3. A-III, B-II, C-I, D-IV
4. A-IV, B-III, C-II, D-I

Options :

485584137169. 1
485584137170. 2
485584137171. 3
485584137172. 4

Question Number : 339 Question Id : 48558434294 Question Type : MCQ Option Shuffling : No Is Question Mandatory : No Calculator : None Response Time : N.A Think Time : N.A Minimum Instruction Time : 0
Correct Marks : 5 Wrong Marks : 1
Question Key Details :

Key	Value
Comprehension	MCQ

Choose the correct order of Vedas as suggested below:

- A. Samveda
- B. Atharveda
- C. Rgveda
- D. Yajurveda

Choose the correct answer from the options given below:

- 1. A - B - C - D
- 2. C - D - A - B
- 3. B - C - A - D
- 4. D - C - A - B

Options :

- 485584137173. 1
- 485584137174. 2
- 485584137175. 3
- 485584137176. 4

Question Number : 339 Question Id : 48558434294 Question Type : MCQ Option Shuffling : No Is Question Mandatory : No Calculator : None Response Time : N.A Think Time : N.A Minimum Instruction Time : 0
Correct Marks : 5 Wrong Marks : 1
Question Key Details :

Key	Value
Comprehension	MCQ

கீழ்க்கண்ட வேதங்களை சரியான வரிசையில் எழுதுக:

- A. சாமவேதா
- B. அதர்வணவேதா
- C. ரிக் வேதா
- D. யஜுர் வேதா

கீழே தரப்பட்டுள்ள வாய்ப்புகளில் இருந்து சரியான விடையைத் தேர்ந்தெடுக்கவும்:

- 1. A - B - C - D
- 2. C - D - A - B
- 3. B - C - A - D
- 4. D - C - A - B

Options :

485584137173. 1
485584137174. 2
485584137175. 3
485584137176. 4

Question Number : 340 Question Id : 48558434295 Question Type : MCQ Option Shuffling : No Is Question Mandatory : No Calculator : None Response Time : N.A Think Time : N.A Minimum Instruction Time : 0

Correct Marks : 5 Wrong Marks : 1

Question Key Details :

Key	Value
Comprehension	MCQ

Which fort is known for not being on a hilltop?

1. Gwalior Fort
2. Mehrangarh Fort
3. Junagarh fort
4. Amber Fort

Options :

485584137177. 1
485584137178. 2
485584137179. 3
485584137180. 4

Question Number : 340 Question Id : 48558434295 Question Type : MCQ Option Shuffling : No Is Question Mandatory : No Calculator : None Response Time : N.A Think Time : N.A Minimum Instruction Time : 0

Correct Marks : 5 Wrong Marks : 1

Question Key Details :

Key	Value
Comprehension	MCQ

கீழ்க்கண்ட எந்த கோட்டை மலை உச்சியில் இல்லை

1. குவாலியர் கோட்டை
2. மெக்ரங்கர்க் கோட்டை
3. ஜூநாகர் கோட்டை
4. அம்பெர் கோட்டை

Options :

485584137177. 1
485584137178. 2
485584137179. 3
485584137180. 4

Sub-Section Number :

2

Sub-Section Id :

4855842543

Question Shuffling Allowed :

No

Is Section Default? :

null

Question Number : 341 Question Id : 48558434296 Question Type : MCQ Option Shuffling : No Is Question Mandatory : No Calculator : None Response Time : N.A Think Time : N.A Minimum Instruction Time : 0

Correct Marks : 5 Wrong Marks : 1

Question Key Details :

Key	Value
Comprehension	Comp1

Read the passage and answer the following questions given below:-

Kathakali is a classical dance form which originated in Kerala. Katha in Sanskrit means story and kali in Malayalam means play. So Kathakali is a play based on a story. Kathakali, like other classical dances of India, has its origins in Bharata Muni's Natyasastra. It is an art which has evolved from many social and religious theatrical art forms like Cakiarkottu, Kudiattam, Krsnattam, Ramattam which existed in the Southern region in ancient times. The main custodian of Kathakali is the famous poet Vallathol Narayana Menon who established Kerala Kalamandalam in 1930 for the preservation of this art form.

Kathakali, a stylised art form, is a blend of dance music and acting and dramatizes stories mostly adapted from the Indian epics. All the four aspects of abhinaya - angika, vacika, aharya, Sattrika and the three components of the dance - natya, nrta and nrtya are unified flawlessly in this form. As far as the costume of this dance form is concerned, it is elaborate and designed to heighten the effect of physical strength. The large overcoats, the flowing scarves, the bulging skirts, the antique ornaments, the strikingly opulent head dresses with streaming hair flowing down to the waist and covering the back all create enlarged figures well befitting the sculptured facial features and produce tremendously impressive impersonations. If the characters are Sattvika (a righteous character or hero), the basic make up is pacca (green); if the characters are rajsika (a character with particular vices or anti hero) the basic make up is cutti (white); and if the characters are tamsika (an evil character or villain), the basic green make up is broken up by red patches. Also, on the basic green make up, an oral red and white design is made on the nose and on the upper nose.

Classical Dance form Kathakali originated in which state of India?

1. Karnataka
2. Tamil Nadu
3. Andhra Pradesh
4. Kerala

Options :

485584137181. 1
485584137182. 2
485584137183. 3
485584137184. 4

Question Number : 341 Question Id : 48558434296 Question Type : MCQ Option Shuffling : No Is Question Mandatory : No Calculator : None Response Time : N.A Think Time : N.A Minimum Instruction Time : 0

Correct Marks : 5 Wrong Marks : 1

Question Key Details :

Key	Value
Comprehension	Comp1

கதக்களி கேரளாவின் பாரம்பரிய நடனம் சமஸ்கிருதத்தில் கதக் என்றால் கதை, மலையாளத்தில் கலி என்றால் ஆட்டம். எனவே, கதக்களி என்பது ஒரு கதை அடிப்படையிலான ஆட்டம்.மற்ற இந்திய பாரம்பரிய நடனங்கள் போன்றே இது பாரத முனியின் நாட்டிய சாஸ்திர-வில் இருந்து தோன்றியது. இந்த கலை பல சமூக மற்றும் மதம் சார்ந்த மேடை கலைகளான காக்கியார்கொட்டு, குடியாட்டம், கிருஷ்ணாட்டம் ராமாட்டம் போன்ற பழங்கால தென் இந்திய கலைகளில் இருந்து தோன்றியது. கதக்களியின் முக்கிய பாதுகாவலர் புகழ்பெற்ற கவிஞரான வல்லத்தோல் நாராயண மேனன் ஆவார். அவர் 1930-ல் இக்கலையை பாதுகாக்க கேரள கலாமண்டலம் என்பதை தோற்றுவித்தார்.

கதக்களி ஒரு குறிப்பிட்ட பாணியில் அமைந்த கலை. இது நடனம், இசை, நடிப்பு மற்றும் இந்திய புராணங்களில் உள்ள நாடகவடிவிலான கதைகளின் கலப்பு. அங்கிகா, வாசிகா, ஆரியா, சாட்ரிகா என்ற நான்கு அம்சங்களையும் கொண்டு அபிநயம், நாட்டியா, நர்டா மற்றும் நர்யா ஆகிய மூன்று அம்சங்களையும் கொண்ட நடனம் ஆகியவற்றை குறைபாடுகள் அற்ற வகையில் ஒருங்கிணைந்து அமைந்துள்ள கலை வடிவம் ஆகும். இக்கலையின் ஆடை அலங்காரத்தை பொறுத்தவரையில் இது விரிவாகவும், உடல் வலிமையை உயர்த்தி காட்டும் வகையிலும் அமைத்திருக்கும். பெரிய மேல் அங்கிகள், பறக்கும் நீண்ட தாவணிகள், உப்பிய வடிவிலான பாவாடைகள் பழமையான அணிகலன்கள் வியர்பான பெரிய தலை அலங்காரங்களுடன் தலையில் இருந்து வயிறு வரை நீண்டும் தொங்கும் முடி அலங்காரம் போன்றவையுடன்,மிகபெரிய சிற்ப்பங்களில் உள்ளது போன்ற முக அலங்காரம் ஆகியவை கவரம்படியான மாயத்தோற்றத்தைத் தருகிறது. இதில் நடிக்கும் பத்திரங்கள் சாட்லிகா(நேர்மறையான கதாநாயகன்) எனில் அடிப்படை ஒப்பனை பக்கா(பச்சை) கதாபாத்திரங்கள் ராஜ்சிகா(எதிர்மறை கதாநாயகன்) எனில் அடிப்படை ஒப்பனை குட்டி (வெண்மை) மேலும் கதாபாத்திரங்கள் தம்சிகா(வில்லன்-ஒரு மோசமான பாத்திரம்) எனில் அடிப்படை பச்சை ஒப்பனையில் சிகப்பு கோடுகளும் காட்டப்பட்டிருக்கும்.மேலும் அடிப்படை பச்சை ஒப்பனையுடன் வாய் சிவப்பு நிறத்திலும் மற்றும் மூக மேல்பகுதி வெண்மை நிறத்திலும் அமைக்கப்பட்டிருக்கும்.

கதக்களி என்ற பாரம்பரிய நடனம் இந்தியாவின் எந்த மாநிலத்தில் தோன்றியது?

1. கர்நாடக
2. தமிழ்நாடு
3. ஆந்திரப்பிரதேசம்
4. கேரளம்

Options :

485584137181. 1
 485584137182. 2
 485584137183. 3
 485584137184. 4

Question Number : 342 Question Id : 48558434297 Question Type : MCQ Option Shuffling : No Is Question Mandatory : No Calculator : None Response Time : N.A Think Time : N.A Minimum Instruction Time : 0

Correct Marks : 5 Wrong Marks : 1

Question Key Details :

Key	Value
Comprehension	Comp1

Read the passage and answer the following questions given below:-

Kathakali is a classical dance form which originated in Kerala. Katha in Sanskrit means story and kali in Malayalam means play. So Kathakali is a play based on a story. Kathakali, like other classical dances of India, has its origins in Bharata Muni's Natyasastra. It is an art which has evolved from many social and religious theatrical art forms like Cakiarkottu, Kudiattam, Krsnattam, Ramattam which existed in the Southern region in ancient times. The main custodian of Kathakali is the famous poet Vallathol Narayana Menon who established Kerala Kalamandalam in 1930 for the preservation of this art form.

Kathakali, a stylised art form, is a blend of dance music and acting and dramatizes stories mostly adapted from the Indian epics. All the four aspects of abhinaya - angika, vacika, aharya, Sattrika and the three components of the dance - natya, nrta and nrtya are unified flawlessly in this form. As far as the costume of this dance form is concerned, it is elaborate and designed to heighten the effect of physical strength. The large overcoats, the flowing scarves, the bulging skirts, the antique ornaments, the strikingly opulent head dresses with streaming hair flowing down to the waist and covering the back all create enlarged figures well befitting the sculptured facial features and produce tremendously impressive impersonations. If the characters are Sattvika (a righteous character or hero), the basic make up is pacca (green); if the characters are rajsika (a character with particular vices or anti hero) the basic make up is cutti (white); and if the characters are tamsika (an evil character or villain), the basic green make up is broken up by red patches. Also, on the basic green make up, an oral red and white design is made on the nose and on the upper nose.

Name the main custodian of Kathakali who established Kerala Kalamandalam in 1930 for the preservation of this art form?

1. Vedantam Lakshmi Narayana
2. Cinta Krsnamurthy
3. Vallathol Narayana Menon
4. Rukmini Devi

Options :

485584137185. 1
485584137186. 2
485584137187. 3
485584137188. 4

Question Number : 342 Question Id : 48558434297 Question Type : MCQ Option Shuffling : No Is Question Mandatory : No Calculator : None Response Time : N.A Think Time : N.A Minimum Instruction Time : 0

Correct Marks : 5 Wrong Marks : 1

Question Key Details :

Key	Value
Comprehension	Comp1

கதக்களி கேரளாவின் பாரம்பரிய நடனம் சமஸ்கிருதத்தில் கதக் என்றால் கதை, மலையாளத்தில் கலி என்றால் ஆட்டம். எனவே, கதக்களி என்பது ஒரு கதை அடிப்படையிலான ஆட்டம்.மற்ற இந்திய பாரம்பரிய நடனங்கள் போன்றே இது பாரத முனியின் நாட்டிய சாஸ்திர-வில் இருந்து தோன்றியது. இந்த கலை பல சமூக மற்றும் மதம் சார்ந்த மேடை கலைகளான காக்கியார்கொட்டு, குடியாட்டம், கிருஷ்ணாட்டம் ராமாட்டம் போன்ற பழங்கால தென் இந்திய கலைகளில் இருந்து தோன்றியது. கதக்களியின் முக்கிய பாதுகாவலர் புகழ்பெற்ற கவிஞரான வல்லத்தோல் நாராயண மேனன் ஆவார். அவர் 1930-ல் இக்கலையை பாதுகாக்க கேரள கலாமண்டலம் என்பதை தோற்றுவித்தார்.

கதக்களி ஒரு குறிப்பிட்ட பாணியில் அமைந்த கலை. இது நடனம், இசை, நடிப்பு மற்றும் இந்திய புராணங்களில் உள்ள நாடகவடிவிலான கதைகளின் கலப்பு. அங்கிகா, வாசிகா, ஆரியா, சாட்ரிகா என்ற நான்கு அம்சங்களையும் கொண்டு அபிநயம், நாட்டியா, நர்டா மற்றும் நர்யா ஆகிய மூன்று அம்சங்களையும் கொண்ட நடனம் ஆகியவற்றை குறைபாடுகள் அற்ற வகையில் ஒருங்கிணைந்து அமைந்துள்ள கலை வடிவம் ஆகும். இக்கலையின் ஆடை அலங்காரத்தை பொறுத்தவரையில் இது விரிவாகவும், உடல் வலிமையை உயர்த்தி காட்டும் வகையிலும் அமைத்திருக்கும். பெரிய மேல் அங்கிகள், பறக்கும் நீண்ட தாவணிகள், உப்பிய வடிவிலான பாவாடைகள் பழமையான அணிகலன்கள் வியர்பான பெரிய தலை அலங்காரங்களுடன் தலையில் இருந்து வயிறு வரை நீண்டும் தொங்கும் முடி அலங்காரம் போன்றவையுடன், மிகப்பெரிய சிற்ப்பங்களில் உள்ளது போன்ற முக அலங்காரம் ஆகியவை கவரம்படியான மாயத்தோற்றத்தைத் தருகிறது. இதில் நடிக்கும் பத்திரங்கள் சாட்லிகா(நேர்மறையான கதாநாயகன்) எனில் அடிப்படை ஒப்பனை பக்கா(பச்சை) கதாபாத்திரங்கள் ராஜ்சிகா(எதிர்மறை கதாநாயகன்) எனில் அடிப்படை ஒப்பனை குட்டி (வெண்மை) மேலும் கதாபாத்திரங்கள் தம்சிகா(வில்லன்-ஒரு மோசமான பாத்திரம்) எனில் அடிப்படை பச்சை ஒப்பனையில் சிகப்பு கோடுகளும் காட்டப்பட்டிருக்கும்.மேலும் அடிப்படை பச்சை ஒப்பனையுடன் வாய் சிவப்பு நிறத்திலும் மற்றும் மூக மேல்பகுதி வெண்மை நிறத்திலும் அமைக்கப்பட்டிருக்கும்.

1930-ல் கதக்களி என்ற கலைவடிவத்தை பாதுகாக்க கேரளா கலாமண்டலம் என்ற ஒன்றை உருவாக்கிய கதக்களியின் முதன்மை பாதுகாவலர் யார்?

1. வேதாந்தம் லக்ஷ்மி நாராயணா
2. சின்டா கிருஷ்ணமூர்த்தி
3. வள்ளத்தோல் நாராயண மேனன்
4. ருக்மணி தேவி

Options :

485584137185. 1
 485584137186. 2
 485584137187. 3
 485584137188. 4

Question Number : 343 Question Id : 48558434298 Question Type : MCQ Option Shuffling : No Is Question Mandatory : No Calculator : None Response Time : N.A Think Time : N.A Minimum Instruction Time : 0

Correct Marks : 5 Wrong Marks : 1

Question Key Details :

Key	Value
Comprehension	Compl

Read the passage and answer the following questions given below:-

Kathakali is a classical dance form which originated in Kerala. Katha in Sanskrit means story and kali in Malayalam means play. So Kathakali is a play based on a story. Kathakali, like other classical dances of India, has its origins in Bharata Muni's Natyasastra. It is an art which has evolved from many social and religious theatrical art forms like Cakiarkottu, Kudiattam, Krsnattam, Ramattam which existed in the Southern region in ancient times. The main custodian of Kathakali is the famous poet Vallathol Narayana Menon who established Kerala Kalamandalam in 1930 for the preservation of this art form.

Kathakali, a stylised art form, is a blend of dance music and acting and dramatizes stories mostly adapted from the Indian epics. All the four aspects of abhinaya - angika, vacika, aharya, Sattrika and the three components of the dance - natya, nrta and nrtya are unified flawlessly in this form, As far as the costume of this dance form is concerned, it is elaborate and designed to heighten the effect of physical strength. The large overcoats, the flowing scarves, the bulging skirts, the antique ornaments, the strikingly opulent head dresses with streaming hair flowing down to the waist and covering the back all create enlarged figures well befitting the sculptured facial features and produce tremendously impressive impersonations. If the characters are Sattvika (a righteous character or hero), the basic make up is pacca (green); if the characters are rajsika (a character with particular vices or anti hero) the basic make up is cutti (white); and if the characters are tamsika (an evil character or villain), the basic green make up is broken up by red patches. Also, on the basic green make up, an oral red and white design is made on the nose and on the upper nose.

How many aspects of Abhinaya?

1. 2
2. 3
3. 4
4. 5

Options :

485584137189. 1
485584137190. 2
485584137191. 3
485584137192. 4

Question Number : 343 Question Id : 48558434298 Question Type : MCQ Option Shuffling : No Is Question Mandatory : No Calculator : None Response Time : N.A Think Time : N.A Minimum Instruction Time : 0

Correct Marks : 5 Wrong Marks : 1

Question Key Details :

Key	Value
Comprehension	Compl

கதக்களி கேரளாவின் பாரம்பரிய நடனம் சமஸ்கிருதத்தில் கதக் என்றால் கதை, மலையாளத்தில் கலி என்றால் ஆட்டம். எனவே, கதக்களி என்பது ஒரு கதை அடிப்படையிலான ஆட்டம்.மற்ற இந்திய பாரம்பரிய நடனங்கள் போன்றே இது பாரத முனியின் நாட்டிய சாஸ்திர-வில் இருந்து தோன்றியது. இந்த கலை பல சமூக மற்றும் மதம் சார்ந்த மேடை கலைகளான காக்கியார்கொட்டு, குடியாட்டம், கிருஷ்ணாட்டம் ராமாட்டம் போன்ற பழங்கால தென் இந்திய கலைகளில் இருந்து தோன்றியது. கதக்களியின் முக்கிய பாதுகாவலர் புகழ்பெற்ற கவிஞரான வல்லத்தோல் நாராயண மேனன் ஆவார். அவர் 1930-ல் இக்கலையை பாதுகாக்க கேரள கலாமண்டலம் என்பதை தோற்றுவித்தார்.

கதக்களி ஒரு குறிப்பிட்ட பாணியில் அமைந்த கலை. இது நடனம், இசை, நடிப்பு மற்றும் இந்திய புராணங்களில் உள்ள நாடகவடிவிலான கதைகளின் கலப்பு. அங்கிகா, வாசிகா, ஆரியா, சாட்ரிகா என்ற நான்கு அம்சங்களையும் கொண்டு அபிநயம், நாட்டியா, நர்டா மற்றும் நர்யா ஆகிய மூன்று அம்சங்களையும் கொண்ட நடனம் ஆகியவற்றை குறைபாடுகள் அற்ற வகையில் ஒருங்கிணைந்து அமைந்துள்ள கலை வடிவம் ஆகும். இக்கலையின் ஆடை அலங்காரத்தை பொறுத்தவரையில் இது விரிவாகவும், உடல் வலிமையை உயர்த்தி காட்டும் வகையிலும் அமைத்திருக்கும். பெரிய மேல் அங்கிகள், பறக்கும் நீண்ட தாவணிகள், உப்பிய வடிவிலான பாவாடைகள் பழமையான அணிகலன்கள் வியர்பான பெரிய தலை அலங்காரங்களுடன் தலையில் இருந்து வயிறு வரை நீண்டும் தொங்கும் முடி அலங்காரம் போன்றவையுடன், மிகப்பெரிய சிற்ப்பங்களில் உள்ளது போன்ற முக அலங்காரம் ஆகியவை கவரம்படியான மாயத்தோற்றத்தைத் தருகிறது. இதில் நடிக்கும் பத்திரங்கள் சாட்லிகா(நேர்மறையான கதாநாயகன்) எனில் அடிப்படை ஒப்பனை பக்கா(பச்சை) கதாபாத்திரங்கள் ராஜ்சிகா(எதிர்மறை கதாநாயகன்) எனில் அடிப்படை ஒப்பனை குட்டி (வெண்மை) மேலும் கதாபாத்திரங்கள் தம்சிகா(வில்லன்-ஒரு மோசமான பாத்திரம்) எனில் அடிப்படை பச்சை ஒப்பனையில் சிகப்பு கோடுகளும் காட்டப்பட்டிருக்கும்.மேலும் அடிப்படை பச்சை ஒப்பனையுடன் வாய் சிவப்பு நிறத்திலும் மற்றும் மூக மேல்பகுதி வெண்மை நிறத்திலும் அமைக்கப்பட்டிருக்கும்.

அபிநயாவில் உள்ள அம்சங்கள் எத்தனை?

1. 2
2. 3
3. 4
4. 5

Options :

485584137189. 1
 485584137190. 2
 485584137191. 3
 485584137192. 4

Question Number : 344 Question Id : 48558434299 Question Type : MCQ Option Shuffling : No Is Question Mandatory : No Calculator : None Response Time : N.A Think Time : N.A Minimum Instruction Time : 0

Correct Marks : 5 Wrong Marks : 1

Question Key Details :

Key	Value
Comprehension	Comp1

Read the passage and answer the following questions given below:-

Kathakali is a classical dance form which originated in Kerala. Katha in Sanskrit means story and kali in Malayalam means play. So Kathakali is a play based on a story. Kathakali, like other classical dances of India, has its origins in Bharata Muni's Natyasastra. It is an art which has evolved from many social and religious theatrical art forms like Cakiarkottu, Kudiattam, Krsnattam, Ramattam which existed in the Southern region in ancient times. The main custodian of Kathakali is the famous poet Vallathol Narayana Menon who established Kerala Kalamandalam in 1930 for the preservation of this art form.

Kathakali, a stylised art form, is a blend of dance music and acting and dramatizes stories mostly adapted from the Indian epics. All the four aspects of abhinaya - angika, vacika, aharya, Sattrika and the three components of the dance - natya, nrta and nrtya are unified flawlessly in this form. As far as the costume of this dance form is concerned, it is elaborate and designed to heighten the effect of physical strength. The large overcoats, the flowing scarves, the bulging skirts, the antique ornaments, the strikingly opulent head dresses with streaming hair flowing down to the waist and covering the back all create enlarged figures well befitting the sculptured facial features and produce tremendously impressive impersonations. If the characters are Sattvika (a righteous character or hero), the basic make up is pacca (green); if the characters are rajsika (a character with particular vices or anti hero) the basic make up is cutti (white); and if the characters are tamsika (an evil character or villain), the basic green make up is broken up by red patches. Also, on the basic green make up, an oral red and white design is made on the nose and on the upper nose.

Which of the following is not the component of dance?

1. natya
2. vacika
3. nrta
4. nrtya

Options :

485584137193. 1
485584137194. 2
485584137195. 3
485584137196. 4

Question Number : 344 Question Id : 48558434299 Question Type : MCQ Option Shuffling : No Is Question Mandatory : No Calculator : None Response Time : N.A Think Time : N.A Minimum Instruction Time : 0

Correct Marks : 5 Wrong Marks : 1

Question Key Details :

Key	Value
Comprehension	Comp1

கதக்களி கேரளாவின் பாரம்பரிய நடனம் சமஸ்கிருதத்தில் கதக் என்றால் கதை, மலையாளத்தில் கலி என்றால் ஆட்டம். எனவே, கதக்களி என்பது ஒரு கதை அடிப்படையிலான ஆட்டம்.மற்ற இந்திய பாரம்பரிய நடனங்கள் போன்றே இது பாரத முனியின் நாட்டிய சாஸ்திர-வில் இருந்து தோன்றியது. இந்த கலை பல சமூக மற்றும் மதம் சார்ந்த மேடை கலைகளான காக்கியார்கொட்டு, குடியாட்டம், கிருஷ்ணாட்டம் ராமாட்டம் போன்ற பழங்கால தென் இந்திய கலைகளில் இருந்து தோன்றியது. கதக்களியின் முக்கிய பாதுகாவலர் புகழ்பெற்ற கவிஞரான வல்லத்தோல் நாராயண மேனன் ஆவார். அவர் 1930-ல் இக்கலையை பாதுகாக்க கேரள கலாமண்டலம் என்பதை தோற்றுவித்தார்.

கதக்களி ஒரு குறிப்பிட்ட பாணியில் அமைந்த கலை. இது நடனம், இசை, நடிப்பு மற்றும் இந்திய புராணங்களில் உள்ள நாடகவடிவிலான கதைகளின் கலப்பு. அங்கிகா, வாசிகா, ஆரியா, சாட்ரிகா என்ற நான்கு அம்சங்களையும் கொண்டு அபிநயம், நாட்டியா, நர்டா மற்றும் நர்யா ஆகிய மூன்று அம்சங்களையும் கொண்ட நடனம் ஆகியவற்றை குறைபாடுகள் அற்ற வகையில் ஒருங்கிணைந்து அமைந்துள்ள கலை வடிவம் ஆகும். இக்கலையின் ஆடை அலங்காரத்தை பொறுத்தவரையில் இது விரிவாகவும், உடல் வலிமையை உயர்த்தி காட்டும் வகையிலும் அமைத்திருக்கும். பெரிய மேல் அங்கிகள், பறக்கும் நீண்ட தாவணிகள், உப்பிய வடிவிலான பாவாடைகள் பழமையான அணிகலன்கள் வியர்பான பெரிய தலை அலங்காரங்களுடன் தலையில் இருந்து வயிறு வரை நீண்டும் தொங்கும் முடி அலங்காரம் போன்றவையுடன், மிகப்பெரிய சிற்ப்பங்களில் உள்ளது போன்ற முக அலங்காரம் ஆகியவை கவரம்படியான மாயத்தோற்றத்தைத் தருகிறது. இதில் நடிக்கும் பத்திரங்கள் சாட்லிகா(நேர்மறையான கதாநாயகன்) எனில் அடிப்படை ஒப்பனை பக்கா(பச்சை) கதாபாத்திரங்கள் ராஜ்சிகா(எதிர்மறை கதாநாயகன்) எனில் அடிப்படை ஒப்பனை குட்டி (வெண்மை) மேலும் கதாபாத்திரங்கள் தம்சிகா(வில்லன்-ஒரு மோசமான பாத்திரம்) எனில் அடிப்படை பச்சை ஒப்பனையில் சிகப்பு கோடுகளும் காட்டப்பட்டிருக்கும்.மேலும் அடிப்படை பச்சை ஒப்பனையுடன் வாய் சிவப்பு நிறத்திலும் மற்றும் மூக மேல்பகுதி வெண்மை நிறத்திலும் அமைக்கப்பட்டிருக்கும்.

கீழ்க்கண்ட எந்த ஒன்று நடனத்தின் ஒரு பகுதியாகாது?

1. நட்யா
2. வாசிகா
3. நர்டா
4. நர்ட்யா

Options :

485584137193. 1
 485584137194. 2
 485584137195. 3
 485584137196. 4

Question Number : 345 Question Id : 48558434300 Question Type : MCQ Option Shuffling : No Is Question Mandatory : No Calculator : None Response Time : N.A Think Time : N.A Minimum Instruction Time : 0

Correct Marks : 5 Wrong Marks : 1

Question Key Details :

Key	Value
Comprehension	Comp1

Read the passage and answer the following questions given below:-

Kathakali is a classical dance form which originated in Kerala. Katha in Sanskrit means story and kali in Malayalam means play. So Kathakali is a play based on a story. Kathakali, like other classical dances of India, has its origins in Bharata Muni's Natyasastra. It is an art which has evolved from many social and religious theatrical art forms like Cakiarkottu, Kudiattam, Krsnattam, Ramattam which existed in the Southern region in ancient times. The main custodian of Kathakali is the famous poet Vallathol Narayana Menon who established Kerala Kalamandalam in 1930 for the preservation of this art form.

Kathakali, a stylised art form, is a blend of dance music and acting and dramatizes stories mostly adapted from the Indian epics. All the four aspects of abhinaya - angika, vacika, aharya, Sattrika and the three components of the dance - natya, nrta and nrtya are unified flawlessly in this form. As far as the costume of this dance form is concerned, it is elaborate and designed to heighten the effect of physical strength. The large overcoats, the flowing scarves, the bulging skirts, the antique ornaments, the strikingly opulent head dresses with streaming hair flowing down to the waist and covering the back all create enlarged figures well befitting the sculptured facial features and produce tremendously impressive impersonations. If the characters are Sattvika (a righteous character or hero), the basic make up is pacca (green); if the characters are rajsika (a character with particular vices or anti hero) the basic make up is cutti (white); and if the characters are tamsika (an evil character or villain), the basic green make up is broken up by red patches. Also, on the basic green make up, an oral red and white design is made on the nose and on the upper nose.

In Kathakali dance form, Basic make up colour changes according to character. If the characters are rajsika, what will be the basic colour makeup

1. Green
2. White
3. Green with red patches
4. White with red patches

Options :

485584137197. 1
485584137198. 2
485584137199. 3
485584137200. 4

Question Number : 345 Question Id : 48558434300 Question Type : MCQ Option Shuffling : No Is Question Mandatory : No Calculator : None Response Time : N.A Think Time : N.A Minimum Instruction Time : 0

Correct Marks : 5 Wrong Marks : 1

Question Key Details :

Key	Value
Comprehension	Comp1

கதக்களி கேரளாவின் பாரம்பரிய நடனம் சமஸ்கிருதத்தில் கதக் என்றால் கதை, மலையாளத்தில் கலி என்றால் ஆட்டம். எனவே, கதக்களி என்பது ஒரு கதை அடிப்படையிலான ஆட்டம்.மற்ற இந்திய பாரம்பரிய நடனங்கள் போன்றே இது பாரத முனியின் நாட்டிய சாஸ்திர-வில் இருந்து தோன்றியது. இந்த கலை பல சமூக மற்றும் மதம் சார்ந்த மேடை கலைகளான காக்கியார்கொட்டு, குடியாட்டம், கிருஷ்ணாட்டம் ராமாட்டம் போன்ற பழங்கால தென் இந்திய கலைகளில் இருந்து தோன்றியது. கதக்களியின் முக்கிய பாதுகாவலர் புகழ்பெற்ற கவிஞரான வல்லத்தோல் நாராயண மேனன் ஆவார். அவர் 1930-ல் இக்கலையை பாதுகாக்க கேரள கலாமண்டலம் என்பதை தோற்றுவித்தார்.

கதக்களி ஒரு குறிப்பிட்ட பாணியில் அமைந்த கலை. இது நடனம், இசை, நடிப்பு மற்றும் இந்திய புராணங்களில் உள்ள நாடகவடிவிலான கதைகளின் கலப்பு. அங்கிகா, வாசிகா, ஆரியா, சாட்ரிகா என்ற நான்கு அம்சங்களையும் கொண்டு அபிநயம், நாட்டியா, நர்டா மற்றும் நர்யா ஆகிய மூன்று அம்சங்களையும் கொண்ட நடனம் ஆகியவற்றை குறைபாடுகள் அற்ற வகையில் ஒருங்கிணைந்து அமைந்துள்ள கலை வடிவம் ஆகும். இக்கலையின் ஆடை அலங்காரத்தை பொறுத்தவரையில் இது விரிவாகவும், உடல் வலிமையை உயர்த்தி காட்டும் வகையிலும் அமைத்திருக்கும். பெரிய மேல் அங்கிகள், பறக்கும் நீண்ட தாவணிகள், உப்பிய வடிவிலான பாவாடைகள் பழமையான அணிகலன்கள் வியர்பான பெரிய தலை அலங்காரங்களுடன் தலையில் இருந்து வயிறு வரை நீண்டும் தொங்கும் முடி அலங்காரம் போன்றவையுடன்,மிகபெரிய சிற்ப்பங்களில் உள்ளது போன்ற முக அலங்காரம் ஆகியவை கவரம்படியான மாயத்தோற்றத்தைத் தருகிறது. இதில் நடிக்கும் பத்திரங்கள் சாட்லிகா(நேர்மறையான கதாநாயகன்) எனில் அடிப்படை ஒப்பனை பக்கா(பச்சை) கதாபாத்திரங்கள் ராஜ்சிகா(எதிர்மறை கதாநாயகன்) எனில் அடிப்படை ஒப்பனை குட்டி (வெண்மை) மேலும் கதாபாத்திரங்கள் தம்சிகா(வில்லன்-ஒரு மோசமான பாத்திரம்) எனில் அடிப்படை பச்சை ஒப்பனையில் சிகப்பு கோடுகளும் காட்டப்பட்டிருக்கும்.மேலும் அடிப்படை பச்சை ஒப்பனையுடன் வாய் சிவப்பு நிறத்திலும் மற்றும் மூக மேல்பகுதி வெண்மை நிறத்திலும் அமைக்கப்பட்டிருக்கும்.

கதக்களியில் கதாபாத்திரத்தின் தன்மைக்கு ஏற்ப அடிப்படை ஒப்பனை நிறம் மாற்றப்படும். கதப்பாத்திரம் ராஜிகா எனில் அடிப்படை ஒப்பனை நிறம் என்ன?

1. பச்சை
2. வெள்ளை
3. பச்சையில் சிவப்பு பட்டைகள்
4. வெண்மையில் சிவப்பு பட்டைகள்

Options :

485584137197. 1
 485584137198. 2
 485584137199. 3
 485584137200. 4

Sub-Section Number : 3
Sub-Section Id : 4855842544
Question Shuffling Allowed : No
Is Section Default? : null

Question Number : 346 Question Id : 48558434301 Question Type : MCQ Option Shuffling : No Is Question Mandatory : No Calculator : None Response Time : N.A Think Time : N.A Minimum Instruction Time : 0

Correct Marks : 5 Wrong Marks : 1

Question Key Details :

Key	Value
Comprehension	Comp2

Read the following passage and answer the questions given below:

The moral code of the people is an indicator of their social and spiritual ways of life. The true essence of human life is to live amidst worldly joy and sorrows. Ethics is primarily concerned with the moral issues of the world. True religion lays stress on moral virtues. People are required to discharge their duties according to the moral code of ethics. A true knowledge of ethics would be attained if one practices and imbibes these moral values. Ethics is of two kinds individual and social. Individual ethics is indicative of the good qualities that are essential for individual well-being of the good qualities that are essential for individual well-being and happiness. Social ethics represents the values that are needed for social order and harmony.

In the knowledge tradition of India ethics has its origin in its religious and philosophical thinking. From time immemorial, various religious faiths have flourished here. Every religious and every philosophical system of India has a prominent ethical component. Ethics is the core of all these systems. In every religious tradition, good moral conduct is considered essential for a happy and contented life.

Choose from the following that is not the purpose of the moral code of ethics.

1. To perform duties in the society
2. To live a balanced life between joy and sorrow
3. To live a peaceful life
4. To keep a strict discipline

Options :

485584137201. 1
485584137202. 2
485584137203. 3
485584137204. 4

Question Number : 346 Question Id : 48558434301 Question Type : MCQ Option Shuffling : No Is Question Mandatory : No Calculator : None Response Time : N.A Think Time : N.A Minimum Instruction Time : 0

Correct Marks : 5 Wrong Marks : 1

Question Key Details :

Key	Value
Comprehension	Comp2

மக்களின் ஒழுக்க நெறிமுறைகள் அவர்கள் வாழ்வில் பின்பற்றும் சமூக மற்றும் ஆன்மீக வழிகளை வெளிப்படுத்தும் ஒரு குறியீடு ஆகும். மனித வாழ்வின் அடிப்படை எனில் உலகில் உள்ள மகிழ்ச்சிகள் மற்றும் வருத்தங்களை ஏற்று வாழ்தலே ஆகும். நன்னெறி முதன்மையாக கருதுவது உலக ஒழுக்கம் பற்றியதே ஆகும். மதம் என்பது உண்மையில் ஒழுக்கம் பற்றியே வலியுறுத்துகிறது. ஒழுக்க நன்னெறிகள் அடிப்படையில் மக்கள் தங்கள் கடமைகளை செய்தல் அவசியம். ஒருவர் இந்த ஒழுக்க நன்னெறிகளை பின்பற்றி வாழ்ந்தால் நன்னெறிகள் பற்றிய ஞானம் அவர்கள் கொண்டுள்ளார்கள் என அறியலாம். நன்னெறிகளை இரண்டு வகையாக தனிமனிதனுக்கானது மற்றும் சமூகத்திற்கானது என பிரிக்கலாம். தனிமனித ஒழுக்க நெறிகள் என்பன ஒரு தனிமனிதனின் நல்ல பண்புகளின் வெளிப்பாடு அது அவரின் நல்வாழ்க்கை மற்றும் மகிழ்ச்சிக்கு முக்கியமானது. சமூக நன்னெறி என்பது சமூக நன்னெறி என்பது சமூக ஒழுங்கு மற்றும் அமைதிக்கு காரணமாக தேவைப்படும் அடிப்படை தகுதிகளாகும்.

இந்தியன்வின் அறிவு சார் பாரம்பரிய நன்னெறிகள் அதன் மதம் மற்றும் தத்துவ சிந்தனைகளில் இருந்து தோன்றியது. அறியப்படாத காலம் தொடர்பே மத நம்பிக்கைகள் இங்கு நன்கு வேரோடி இருந்தன. இந்தியாவின் ஒவ்வொரு மதம் மற்றும் தத்துவம் சார்ந்த அமைப்புகள் ஒரு மேலோங்கி தெரியும் நன்னெறி பகுதியை கொண்டிருந்தன. அனைத்து அமைப்புகளிலும் நன்னெறிகள் அடிப்படையானது. ஒவ்வொரு மத பாரம்பரியத்திலும், நல்ல ஒழுக்க நடத்தை மகிழ்ச்சி திருப்தியான வாழ்க்கைக்கு அவசியம் எனக் கருதப்படுகிறது.

ஒழுக்க நன்னெறிகளின் நோக்கமாக அமையாதது எது?

1. சமூகக் கடமைகளை செல்தல்
2. மகிழ்ச்சி மற்றும் வருத்தம் ஆகியவற்றை ஏற்று வாழ்தல்
3. அமைதியான வாழ்வு வாழ்தல்
4. கட்டுப்பாடான ஒழுக்கத்துடன் வாழ்தல்

Options :

485584137201. 1
 485584137202. 2
 485584137203. 3
 485584137204. 4

Question Number : 347 Question Id : 48558434302 Question Type : MCQ Option Shuffling : No Is Question Mandatory : No Calculator : None Response Time : N.A Think Time : N.A Minimum Instruction Time : 0

Correct Marks : 5 Wrong Marks : 1

Question Key Details :

Key	Value
Comprehension	Comp2

Read the following passage and answer the questions given below:

The moral code of the people is an indicator of their social and spiritual ways of life. The true essence of human life is to live amidst worldly joy and sorrows, Ethics is primarily concerned with the moral issues of the world. True religion lays stress on moral virtues. People are required to discharge their duties according to the moral code of ethics. A true knowledge of ethics would be attained if one practices and imbibes these moral values. Ethics is of two kinds individual and social. Individual ethics is indicative of the good qualities that are essential for individual well-being of the good qualities that are essential for individual well-being and happiness. Social ethics represents the values that are needed for social order and harmony.

In the knowledge tradition of India ethics has its origin in its religious and philosophical thinking. From time immemorial, various religious faiths have flourished here. Every religious and every philosophical system of India has a prominent ethical component. Ethics is the core of all these systems. In every religious tradition, good moral conduct is considered essential for a happy and contented life.

What are the two major types of Ethics?

1. Religious and Philosophical
2. Individual and Social
3. Opened and Closed
4. Hard and Soft

Options :

- 485584137205. 1
- 485584137206. 2
- 485584137207. 3
- 485584137208. 4

Question Number : 347 Question Id : 48558434302 Question Type : MCQ Option Shuffling : No Is Question Mandatory : No Calculator : None Response Time : N.A Think Time : N.A Minimum Instruction Time : 0

Correct Marks : 5 Wrong Marks : 1

Question Key Details :

Key	Value
Comprehension	Comp2

மக்களின் ஒழுக்க நெறிமுறைகள் அவர்கள் வாழ்வில் பின்பற்றும் சமூக மற்றும் ஆன்மீக வழிகளை வெளிப்படுத்தும் ஒரு குறியீடு ஆகும். மனித வாழ்வின் அடிப்படை எனில் உலகில் உள்ள மகிழ்ச்சிகள் மற்றும் வருத்தங்களை ஏற்று வாழ்தலே ஆகும். நன்னெறி முதன்மையாக கருதுவது உலக ஒழுக்கம் பற்றியதே ஆகும். மதம் என்பது உண்மையில் ஒழுக்கம் பற்றியே வலியுறுத்துகிறது. ஒழுக்க நன்னெறிகள் அடிப்படையில் மக்கள் தங்கள் கடமைகளை செய்தல் அவசியம். ஒருவர் இந்த ஒழுக்க நன்னெறிகளை பின்பற்றி வாழ்ந்தால் நன்னெறிகள் பற்றிய ஞானம் அவர்கள் கொண்டுள்ளார்கள் என அறியலாம். நன்னெறிகளை இரண்டு வகையாக தனிமனிதனுக்கானது மற்றும் சமூகத்திற்கானது என பிரிக்கலாம். தனிமனித ஒழுக்க நெறிகள் என்பன ஒரு தனிமனிதனின் நல்ல பண்புகளின் வெளிப்பாடு அது அவரின் நல்வாழ்க்கை மற்றும் மகிழ்ச்சிக்கு முக்கியமானது. சமூக நன்னெறி என்பது சமூக நன்னெறி என்பது சமூக ஒழுங்கு மற்றும் அமைதிக்கு காரணமாக தேவைப்படும் அடிப்படை தகுதிகளாகும்.

இந்தியன்வின் அறிவு சார் பாரம்பரிய நன்னெறிகள் அதன் மதம் மற்றும் தத்துவ சிந்தனைகளில் இருந்து தோன்றியது. அறியப்படாத காலம் தொடர்பே மத நம்பிக்கைகள் இங்கு நன்கு வேரோடி இருந்தன. இந்தியாவின் ஒவ்வொரு மதம் மற்றும் தத்துவம் சார்ந்த அமைப்புகள் ஒரு மேலோங்கி தெரியும் நன்னெறி பகுதியை கொண்டிருந்தன. அனைத்து அமைப்புகளிலும் நன்னெறிகள் அடிப்படையானது. ஒவ்வொரு மத பாரம்பரியத்திலும், நல்ல ஒழுக்க நடத்தை மகிழ்ச்சி திருப்தியான வாழ்க்கைக்கு அவசியம் எனக் கருதப்படுகிறது.

நன்னெறி-யின் இரண்டு வகை யாவை?

1. மதம் மற்றும் தத்துவார்த்தம்
2. தனிமனித மற்றும் சமூகம்
3. திறந்த மற்றும் மூடிய
4. கடினமான மற்றும் மென்மையான

Options :

485584137205. 1
 485584137206. 2
 485584137207. 3
 485584137208. 4

Question Number : 348 Question Id : 48558434303 Question Type : MCQ Option Shuffling : No Is Question Mandatory : No Calculator : None Response Time : N.A Think Time : N.A Minimum Instruction Time : 0

Correct Marks : 5 Wrong Marks : 1

Question Key Details :

Key	Value
Comprehension	Comp2

Read the following passage and answer the questions given below:

The moral code of the people is an indicator of their social and spiritual ways of life. The true essence of human life is to live amidst worldly joy and sorrows, Ethics is primarily concerned with the moral issues of the world. True religion lays stress on moral virtues. People are required to discharge their duties according to the moral code of ethics. A true knowledge of ethics would be attained if one practices and imbibes these moral values. Ethics is of two kinds individuals and social. Individual ethics is indicative of the good qualities that are essential for individual well-being of the good qualities that are essential for individual well-being and happiness. Social ethics represents the values that are needed for social order and harmony.

In the knowledge tradition of India ethics has its origin in its religious and philosophical thinking. From time immemorial, various religious faiths have flourished here. Every religious and every philosophical system of India has a prominent ethical component. Ethics is the core of all these systems. In every religious tradition, good moral conduct is considered essential for a happy and contented life.

In the knowledge tradition of India, Ethics originated in _____

1. Religious and Philosophical thinking
2. Traditional and Spiritual thinking
3. Broad and Positive thinking
4. Backward and Negative thinking

Options :

- 485584137209. 1
- 485584137210. 2
- 485584137211. 3
- 485584137212. 4

Question Number : 348 Question Id : 48558434303 Question Type : MCQ Option Shuffling : No Is Question Mandatory : No Calculator : None Response Time : N.A Think Time : N.A Minimum Instruction Time : 0

Correct Marks : 5 Wrong Marks : 1

Question Key Details :

Key	Value
Comprehension	Comp2

மக்களின் ஒழுக்க நெறிமுறைகள் அவர்கள் வாழ்வில் பின்பற்றும் சமூக மற்றும் ஆன்மீக வழிகளை வெளிப்படுத்தும் ஒரு குறியீடு ஆகும். மனித வாழ்வின் அடிப்படை எனில் உலகில் உள்ள மகிழ்ச்சிகள் மற்றும் வருத்தங்களை ஏற்று வாழ்தலே ஆகும். நன்னெறி முதன்மையாக கருதுவது உலக ஒழுக்கம் பற்றியதே ஆகும். மதம் என்பது உண்மையில் ஒழுக்கம் பற்றியே வலியுறுத்துகிறது. ஒழுக்க நன்னெறிகள் அடிப்படையில் மக்கள் தங்கள் கடமைகளை செய்தல் அவசியம். ஒருவர் இந்த ஒழுக்க நன்னெறிகளை பின்பற்றி வாழ்ந்தால் நன்னெறிகள் பற்றிய ஞானம் அவர்கள் கொண்டுள்ளார்கள் என அறியலாம். நன்னெறிகளை இரண்டு வகையாக தனிமனிதனுக்கானது மற்றும் சமூகத்திற்கானது என பிரிக்கலாம். தனிமனித ஒழுக்க நெறிகள் என்பன ஒரு தனிமனிதனின் நல்ல பண்புகளின் வெளிப்பாடு அது அவரின் நல்வாழ்க்கை மற்றும் மகிழ்ச்சிக்கு முக்கியமானது. சமூக நன்னெறி என்பது சமூக நன்னெறி என்பது சமூக ஒழுங்கு மற்றும் அமைதிக்கு காரணமாக தேவைப்படும் அடிப்படை தகுதிகளாகும்.

இந்தியன்வின் அறிவு சார் பாரம்பரிய நன்னெறிகள் அதன் மதம் மற்றும் தத்துவ சிந்தனைகளில் இருந்து தோன்றியது. அறியப்படாத காலம் தொடரே மத நம்பிக்கைகள் இங்கு நன்கு வேரோடி இருந்தன. இந்தியாவின் ஒவ்வொரு மதம் மற்றும் தத்துவம் சார்ந்த அமைப்புகள் ஒரு மேலோங்கி தெரியும் நன்னெறி பகுதியை கொண்டிருந்தன. அனைத்து அமைப்புகளிலும் நன்னெறிகள் அடிப்படையானது. ஒவ்வொரு மத பாரம்பரியத்திலும், நல்ல ஒழுக்க நடத்தை மகிழ்ச்சி திருப்தியான வாழ்க்கைக்கு அவசியம் எனக் கருதப்படுகிறது.

இந்திய அறிவுசார் பாரம்பரியத்தின் நன்னெறிகள் கீழ்க்கண்ட எதன் அடிப்படையிலானது?

1. மதம் மற்றும் தத்துவார்த்த சிந்தனைகள்
2. பாரம்பரிய மற்றும் ஆன்மீக சிந்தனைகள்
3. பரந்த மற்றும் நேர்மறை சிந்தனைகள்
4. பின்னோக்கிய மற்றும் எதிர்மறை சிந்தனைகள்

Options :

485584137209. 1
 485584137210. 2
 485584137211. 3
 485584137212. 4

Question Number : 349 Question Id : 48558434304 Question Type : MCQ Option Shuffling : No Is Question Mandatory : No Calculator : None Response Time : N.A Think Time : N.A Minimum Instruction Time : 0

Correct Marks : 5 Wrong Marks : 1

Question Key Details :

Key	Value
Comprehension	Comp2

Read the following passage and answer the questions given below:

The moral code of the people is an indicator of their social and spiritual ways of life. The true essence of human life is to live amidst worldly joy and sorrows, Ethics is primarily concerned with the moral issues of the world. True religion lays stress on moral virtues. People are required to discharge their duties according to the moral code of ethics. A true knowledge of ethics would be attained if one practices and imbibes these moral values. Ethics is of two kinds individuals and social. Individual ethics is indicative of the good qualities that are essential for individual well-being of the good qualities that are essential for individual well-being and happiness. Social ethics represents the values that are needed for social order and harmony.

In the knowledge tradition of India ethics has its origin in its religious and philosophical thinking. From time immemorial, various religious faiths have flourished here. Every religious and every philosophical system of India has a prominent ethical component. Ethics is the core of all these systems. In every religious tradition, good moral conduct is considered essential for a happy and contented life.

Ethics is primarily concerned with the _____

1. Social issues of the world
2. Economic issues of the world
3. Moral issues of the world
4. Religious issues of the world

Options :

- 485584137213. 1
- 485584137214. 2
- 485584137215. 3
- 485584137216. 4

Question Number : 349 Question Id : 48558434304 Question Type : MCQ Option Shuffling : No Is Question Mandatory : No Calculator : None Response Time : N.A Think Time : N.A Minimum Instruction Time : 0

Correct Marks : 5 Wrong Marks : 1

Question Key Details :

Key	Value
Comprehension	Comp2

மக்களின் ஒழுக்க நெறிமுறைகள் அவர்கள் வாழ்வில் பின்பற்றும் சமூக மற்றும் ஆன்மீக வழிகளை வெளிப்படுத்தும் ஒரு குறியீடு ஆகும். மனித வாழ்வின் அடிப்படை எனில் உலகில் உள்ள மகிழ்ச்சிகள் மற்றும் வருத்தங்களை ஏற்று வாழ்தலே ஆகும். நன்னெறி முதன்மையாக கருதுவது உலக ஒழுக்கம் பற்றியதே ஆகும். மதம் என்பது உண்மையில் ஒழுக்கம் பற்றியே வலியுறுத்துகிறது. ஒழுக்க நன்னெறிகள் அடிப்படையில் மக்கள் தங்கள் கடமைகளை செய்தல் அவசியம். ஒருவர் இந்த ஒழுக்க நன்னெறிகளை பின்பற்றி வாழ்ந்தால் நன்னெறிகள் பற்றிய ஞானம் அவர்கள் கொண்டுள்ளார்கள் என அறியலாம். நன்னெறிகளை இரண்டு வகையாக தனிமனிதனுக்கானது மற்றும் சமூகத்திற்கானது என பிரிக்கலாம். தனிமனித ஒழுக்க நெறிகள் என்பன ஒரு தனிமனிதனின் நல்ல பண்புகளின் வெளிப்பாடு அது அவரின் நல்வாழ்க்கை மற்றும் மகிழ்ச்சிக்கு முக்கியமானது. சமூக நன்னெறி என்பது சமூக நன்னெறி என்பது சமூக ஒழுங்கு மற்றும் அமைதிக்கு காரணமாக தேவைப்படும் அடிப்படை தகுதிகளாகும்.

இந்தியன்வின் அறிவு சார் பாரம்பரிய நன்னெறிகள் அதன் மதம் மற்றும் தத்துவ சிந்தனைகளில் இருந்து தோன்றியது. அறியப்படாத காலம் தொடர்பே மத நம்பிக்கைகள் இங்கு நன்கு வேரோடி இருந்தன. இந்தியாவின் ஒவ்வொரு மதம் மற்றும் தத்துவம் சார்ந்த அமைப்புகள் ஒரு மேலோங்கி தெரியும் நன்னெறி பகுதியை கொண்டிருந்தன. அனைத்து அமைப்புகளிலும் நன்னெறிகள் அடிப்படையானது. ஒவ்வொரு மத பாரம்பரியத்திலும், நல்ல ஒழுக்க நடத்தை மகிழ்ச்சி திருப்தியான வாழ்க்கைக்கு அவசியம் எனக் கருதப்படுகிறது.

நன்னெறி கீழ்க்கண்ட எதனை முதன்மையாக கருதுகிறது?

1. உலகின் சமூக பிரச்சனைகள்
2. உலகின் பொருளாதார பிரச்சனைகள்
3. உலகின் ஒழுக்கம்சார்ந்த பிரச்சனைகள்
4. உலகின் மதம்சார்ந்த பிரச்சனைகள்

Options :

485584137213. 1
 485584137214. 2
 485584137215. 3
 485584137216. 4

Question Number : 350 Question Id : 48558434305 Question Type : MCQ Option Shuffling : No Is Question Mandatory : No Calculator : None Response Time : N.A Think Time : N.A Minimum Instruction Time : 0

Correct Marks : 5 Wrong Marks : 1

Question Key Details :

Key	Value
Comprehension	Comp2

Read the following passage and answer the questions given below:

The moral code of the people is an indicator of their social and spiritual ways of life. The true essence of human life is to live amidst worldly joy and sorrows, Ethics is primarily concerned with the moral issues of the world. True religion lays stress on moral virtues. People are required to discharge their duties according to the moral code of ethics. A true knowledge of ethics would be attained if one practices and imbibes these moral values. Ethics is of two kinds individual and social. Individual ethics is indicative of the good qualities that are essential for individual well-being of the good qualities that are essential for individual well-being and happiness. Social ethics represents the values that are needed for social order and harmony.

In the knowledge tradition of India ethics has its origin in its religious and philosophical thinking. From time immemorial, various religious faiths have flourished here. Every religious and every philosophical system of India has a prominent ethical component. Ethics is the core of all these systems. In every religious tradition, good moral conduct is considered essential for a happy and contented life.

To maintain social order and harmony what type of ethics play an important role in society?

1. Individual Ethics
2. Social Ethics
3. Political Ethics
4. Legal Ethics

Options :

- 485584137217. 1
- 485584137218. 2
- 485584137219. 3
- 485584137220. 4

Question Number : 350 Question Id : 48558434305 Question Type : MCQ Option Shuffling : No Is Question Mandatory : No Calculator : None Response Time : N.A Think Time : N.A Minimum Instruction Time : 0

Correct Marks : 5 Wrong Marks : 1

Question Key Details :

Key	Value
Comprehension	Comp2

மக்களின் ஒழுக்க நெறிமுறைகள் அவர்கள் வாழ்வில் பின்பற்றும் சமூக மற்றும் ஆன்மீக வழிகளை வெளிப்படுத்தும் ஒரு குறியீடு ஆகும். மனித வாழ்வின் அடிப்படை எனில் உலகில் உள்ள மகிழ்ச்சிகள் மற்றும் வருத்தங்களை ஏற்று வாழ்தலே ஆகும். நன்னெறி முதன்மையாக கருதுவது உலக ஒழுக்கம் பற்றியதே ஆகும். மதம் என்பது உண்மையில் ஒழுக்கம் பற்றியே வலியுறுத்துகிறது. ஒழுக்க நன்னெறிகள் அடிப்படையில் மக்கள் தங்கள் கடமைகளை செய்தல் அவசியம். ஒருவர் இந்த ஒழுக்க நன்னெறிகளை பின்பற்றி வாழ்ந்தால் நன்னெறிகள் பற்றிய ஞானம் அவர்கள் கொண்டுள்ளார்கள் என அறியலாம். நன்னெறிகளை இரண்டு வகையாக தனிமனிதனுக்கானது மற்றும் சமூகத்திற்கானது என பிரிக்கலாம். தனிமனித ஒழுக்க நெறிகள் என்பன ஒரு தனிமனிதனின் நல்ல பண்புகளின் வெளிப்பாடு அது அவரின் நல்வாழ்க்கை மற்றும் மகிழ்ச்சிக்கு முக்கியமானது. சமூக நன்னெறி என்பது சமூக நன்னெறி என்பது சமூக ஒழுங்கு மற்றும் அமைதிக்கு காரணமாக தேவைப்படும் அடிப்படை தகுதிகளாகும்.

இந்தியன்வின் அறிவு சார் பாரம்பரிய நன்னெறிகள் அதன் மதம் மற்றும் தத்துவ சிந்தனைகளில் இருந்து தோன்றியது. அறியப்படாத காலம் தொடர்பே மத நம்பிக்கைகள் இங்கு நன்கு வேரோடி இருந்தன. இந்தியாவின் ஒவ்வொரு மதம் மற்றும் தத்துவம் சார்ந்த அமைப்புகள் ஒரு மேலோங்கி தெரியும் நன்னெறி பகுதியை கொண்டிருந்தன. அனைத்து அமைப்புகளிலும் நன்னெறிகள் அடிப்படையானது. ஒவ்வொரு மத பாரம்பரியத்திலும், நல்ல ஒழுக்க நடத்தை மகிழ்ச்சி திருப்தியான வாழ்க்கைக்கு அவசியம் எனக் கருதப்படுகிறது.

சமூகத்தில் அமைதி மற்றும் ஒழுங்கான தன்மையை காப்பாற்ற எவ்வித நன்னெறி முக்கிய காரணமாகிறது?

1. தனிமனித நன்னெறி
2. சமூக நன்னெறி
3. அரசியல் நன்னெறி
4. சட்டப்பூர்வமான நன்னெறி

Options :

485584137217. 1
 485584137218. 2
 485584137219. 3
 485584137220. 4

Political Science

Group Number :	12
Group Id :	485584779
Group Maximum Duration :	45
Group Minimum Duration :	45
Show Attended Group? :	No
Edit Attended Group? :	No
Break time :	0

Group Marks : 200
Is this Group for Examiner? : No
Examiner permission : Cant View
Show Progress Bar? : No

Political Science

Section Id : 485584897
Section Number : 1
Section type : Online
Mandatory or Optional : Mandatory
Number of Questions : 50
Number of Questions to be attempted : 40
Section Marks : 200
Enable Mark as Answered Mark for Review and Clear Response : Yes
Maximum Instruction Time : 0
Sub-Section Number : 1
Sub-Section Id : 4855842545
Question Shuffling Allowed : Yes
Is Section Default? : null

Question Number : 351 Question Id : 48558434356 Question Type : MCQ Option Shuffling : No Is Question Mandatory : No Calculator : None Response Time : N.A Think Time : N.A Minimum Instruction Time : 0

Correct Marks : 5 Wrong Marks : 1

Question Key Details :

Key	Value
Comprehension	MCQ

When the constitution was signed?

1. 24 January 1950
2. 26 November 1949
3. 26 January 1950
4. 26 November 1950

Options :

485584137421. 1
485584137422. 2
485584137423. 3
485584137424. 4

Question Number : 352 Question Id : 48558434357 Question Type : MCQ Option Shuffling : No Is Question Mandatory : No Calculator : None Response Time : N.A Think Time : N.A Minimum Instruction Time : 0

Correct Marks : 5 Wrong Marks : 1

Question Key Details :

Key	Value
Comprehension	MCQ

Election Commission of India was setup in

1. January 1949
2. January 1950
3. November 1949
4. November 1950

Options :

485584137425. 1
485584137426. 2
485584137427. 3
485584137428. 4

Question Number : 353 Question Id : 48558434358 Question Type : MCQ Option Shuffling : No Is Question Mandatory : No Calculator : None Response Time : N.A Think Time : N.A Minimum Instruction Time : 0

Correct Marks : 5 Wrong Marks : 1

Question Key Details :

Key	Value
Comprehension	MCQ

Who was the first Election Commissioner of India.

1. S S Sen
2. Sukumar Sen
3. Kumar Sen
4. S Kumar Sen

Options :

485584137429. 1
485584137430. 2
485584137431. 3
485584137432. 4

Question Number : 354 Question Id : 48558434359 Question Type : MCQ Option Shuffling : No Is Question Mandatory : No Calculator : None Response Time : N.A Think Time : N.A Minimum Instruction Time : 0

Correct Marks : 5 Wrong Marks : 1

Question Key Details :

Key	Value
Comprehension	MCQ

Who decided to convert Cuba in to a Russain base in 1962.

1. Nikhil Khurushchev
2. Nikita Khurushchev
3. Neil Khurushchev
4. Nail Khurushchev

Options :

485584137433. 1
485584137434. 2
485584137435. 3
485584137436. 4

Question Number : 355 Question Id : 48558434360 Question Type : MCQ Option Shuffling : No Is Question Mandatory : No Calculator : None Response Time : N.A Think Time : N.A Minimum Instruction Time : 0

Correct Marks : 5 Wrong Marks : 1

Question Key Details :

Key	Value
Comprehension	MCQ

The First world War was shaken the world between

1. 1914-1918
2. 1914-1916
3. 1914-1919
4. 1914-1917

Options :

485584137437. 1
485584137438. 2
485584137439. 3
485584137440. 4

Question Number : 356 Question Id : 48558434361 Question Type : MCQ Option Shuffling : No Is Question Mandatory : No Calculator : None Response Time : N.A Think Time : N.A Minimum Instruction Time : 0

Correct Marks : 5 Wrong Marks : 1

Question Key Details :

Key	Value
Comprehension	MCQ

United States dropped two atomic bombs on the Japanese cities of Hiroshima and Nagasaki in

1. July 1945
2. August 1945
3. September 1945
4. October 1945

Options :

- 485584137441. 1
- 485584137442. 2
- 485584137443. 3
- 485584137444. 4

Question Number : 357 Question Id : 48558434362 Question Type : MCQ Option Shuffling : No Is Question Mandatory : No Calculator : None Response Time : N.A Think Time : N.A Minimum Instruction Time : 0

Correct Marks : 5 Wrong Marks : 1

Question Key Details :

Key	Value
Comprehension	MCQ

North Atlantic Treaty Organisation (NATO) came into existence in

1. March 1949
2. April 1949
3. May 1949
4. June 1949

Options :

- 485584137445. 1
- 485584137446. 2
- 485584137447. 3
- 485584137448. 4

Question Number : 358 Question Id : 48558434363 Question Type : MCQ Option Shuffling : No Is Question Mandatory : No Calculator : None Response Time : N.A Think Time : N.A Minimum Instruction Time : 0

Correct Marks : 5 Wrong Marks : 1

Question Key Details :

Key	Value
Comprehension	MCQ

The Eastern alliance, known as the Warsaw Pact, was led by the Soviet Union was created in

1. 1945
2. 1949
3. 1955
4. 1957

Options :

- 485584137449. 1
- 485584137450. 2
- 485584137451. 3
- 485584137452. 4

Question Number : 359 Question Id : 48558434364 Question Type : MCQ Option Shuffling : No Is Question Mandatory : No Calculator : None Response Time : N.A Think Time : N.A Minimum Instruction Time : 0

Correct Marks : 5 Wrong Marks : 1

Question Key Details :

Key	Value
Comprehension	MCQ

The First non-aligned summit was held in Belgrade in.

1. 1958
2. 1959
3. 1960
4. 1961

Options :

- 485584137453. 1
- 485584137454. 2
- 485584137455. 3
- 485584137456. 4

Question Number : 360 Question Id : 48558434365 Question Type : MCQ Option Shuffling : No Is Question Mandatory : No Calculator : None Response Time : N.A Think Time : N.A Minimum Instruction Time : 0

Correct Marks : 5 Wrong Marks : 1

Question Key Details :

Key	Value
Comprehension	MCQ

Famous speech 'tryst with destiny' is addressed by :-

1. Jawaharlal Nehru
2. Mahatma Gandhi
3. Lal Bahadur Shastri
4. Khan Abdul Gaffar Khan

Options :

485584137457. 1
485584137458. 2
485584137459. 3
485584137460. 4

Question Number : 361 Question Id : 48558434366 Question Type : MCQ Option Shuffling : No Is Question Mandatory : No Calculator : None Response Time : N.A Think Time : N.A Minimum Instruction Time : 0

Correct Marks : 5 Wrong Marks : 1

Question Key Details :

Key	Value
Comprehension	MCQ

Who was the Deputy Prime Minister and first home minister of Independent India

1. Raf Ahmad Kidwai
2. Sardar Vallabh Bhai Patel
3. C. Rajgopalachari
4. K. S. Menon

Options :

485584137461. 1
485584137462. 2
485584137463. 3
485584137464. 4

Question Number : 362 Question Id : 48558434367 Question Type : MCQ Option Shuffling : No Is Question Mandatory : No Calculator : None Response Time : N.A Think Time : N.A Minimum Instruction Time : 0

Correct Marks : 5 Wrong Marks : 1

Question Key Details :

Key	Value
Comprehension	MCQ

A section of the big industrialists got together in 1944 and drafted a joint proposal for setting up a planned economy in the country it was called _____

1. Russian Plan
2. Global Plan
3. Bombay Plan
4. SwissPlan

Options :

- 485584137465. 1
- 485584137466. 2
- 485584137467. 3
- 485584137468. 4

Question Number : 363 Question Id : 48558434368 Question Type : MCQ Option Shuffling : No Is Question Mandatory : No Calculator : None Response Time : N.A Think Time : N.A Minimum Instruction Time : 0

Correct Marks : 5 Wrong Marks : 1

Question Key Details :

Key	Value
Comprehension	MCQ

Name the founder of Indian Stastical Institute

1. K. N. Raj
2. J. C. Kumarappa
3. R. D. Raj
4. P. C. Mahalanobis

Options :

- 485584137469. 1
- 485584137470. 2
- 485584137471. 3
- 485584137472. 4

Question Number : 364 Question Id : 48558434369 Question Type : MCQ Option Shuffling : No Is Question Mandatory : No Calculator : None Response Time : N.A Think Time : N.A Minimum Instruction Time : 0

Correct Marks : 5 Wrong Marks : 1

Question Key Details :

Key	Value
Comprehension	MCQ

Which Article of the Indian constitution lays down some directive principles of State policy on 'Promotion of international peace and security'

1. Article 51
2. Article 52
3. Article 53
4. Article 54

Options :

- 485584137473. 1
- 485584137474. 2
- 485584137475. 3
- 485584137476. 4

Question Number : 365 Question Id : 48558434370 Question Type : MCQ Option Shuffling : No Is Question Mandatory : No Calculator : None Response Time : N.A Think Time : N.A Minimum Instruction Time : 0

Correct Marks : 5 Wrong Marks : 1

Question Key Details :

Key	Value
Comprehension	MCQ

Who is the director of film 'Haqeeqat' (year 1964)

1. Sanjay Khan
2. Balraj Sahni
3. Chetan Anand
4. Jaxant Karvey

Options :

- 485584137477. 1
- 485584137478. 2
- 485584137479. 3
- 485584137480. 4

Question Number : 366 Question Id : 48558434371 Question Type : MCQ Option Shuffling : No Is Question Mandatory : No Calculator : None Response Time : N.A Think Time : N.A Minimum Instruction Time : 0

Correct Marks : 5 Wrong Marks : 1

Question Key Details :

Key	Value
Comprehension	MCQ

Who coined the famous slogan 'Jai Jawan Jai Kisan'

1. Lal Bahadur Sashtri
2. Jawaharlal Nehru
3. Khan Abdul Gaffar
4. Mahatma Gandhi

Options :

485584137481. 1
485584137482. 2
485584137483. 3
485584137484. 4

Question Number : 367 Question Id : 48558434372 Question Type : MCQ Option Shuffling : No Is Question Mandatory : No Calculator : None Response Time : N.A Think Time : N.A Minimum Instruction Time : 0

Correct Marks : 5 Wrong Marks : 1

Question Key Details :

Key	Value
Comprehension	MCQ

Who formed DMK as a political party in 1949

1. Ram Manohar Lohia
2. C. Natrajan Annadurai
3. C. Kagle
4. Karpoori Thakur

Options :

485584137485. 1
485584137486. 2
485584137487. 3
485584137488. 4

Question Number : 368 Question Id : 48558434373 Question Type : MCQ Option Shuffling : No Is Question Mandatory : No Calculator : None Response Time : N.A Think Time : N.A Minimum Instruction Time : 0

Correct Marks : 5 Wrong Marks : 1

Question Key Details :

Key	Value
Comprehension	MCQ

Under the provision of which Article in Indian constitution government could declare a state of emergency on ground of external threat or internal disturbance.

1. Article 362
2. Article 352
3. Article 372
4. Article 382

Options :

485584137489. 1
485584137490. 2
485584137491. 3
485584137492. 4

Question Number : 369 Question Id : 48558434374 Question Type : MCQ Option Shuffling : No Is Question Mandatory : No Calculator : None Response Time : N.A Think Time : N.A Minimum Instruction Time : 0

Correct Marks : 5 Wrong Marks : 1

Question Key Details :

Key	Value
Comprehension	MCQ

in which year the Janta Party government appointed a commission of inquiry headed by Justice J. C. Shah.

1. May 1977
2. June 1977
3. July 1977
4. August 1977

Options :

485584137493. 1
485584137494. 2
485584137495. 3
485584137496. 4

Question Number : 370 Question Id : 48558434375 Question Type : MCQ Option Shuffling : No Is Question Mandatory : No Calculator : None Response Time : N.A Think Time : N.A Minimum Instruction Time : 0

Correct Marks : 5 Wrong Marks : 1

Question Key Details :

Key	Value
Comprehension	MCQ

Dalit Panthers, a militant organisation of the Dalit youth was formed in which state

1. Gujarat
2. Andhra Pradesh
3. Maharashtra
4. Bihar

Options :

485584137497. 1
485584137498. 2
485584137499. 3
485584137500. 4

Question Number : 371 Question Id : 48558434376 Question Type : MCQ Option Shuffling : No Is Question Mandatory : No Calculator : None Response Time : N.A Think Time : N.A Minimum Instruction Time : 0

Correct Marks : 5 Wrong Marks : 1

Question Key Details :

Key	Value
Comprehension	MCQ

Write the full form of BKU

1. Bharat Keval Union
2. Bharat Kisan Union
3. Bharat Karma union
4. Bhartiya Kisan United

Options :

485584137501. 1
485584137502. 2
485584137503. 3
485584137504. 4

Question Number : 372 Question Id : 48558434377 Question Type : MCQ Option Shuffling : No Is Question Mandatory : No Calculator : None Response Time : N.A Think Time : N.A Minimum Instruction Time : 0

Correct Marks : 5 Wrong Marks : 1

Question Key Details :

Key	Value
Comprehension	MCQ

Turning their back to the
Sun they prayed through centuries
Now, now we must refuse
to be pilgrims of darkness

Who is the author of above poem

1. Eleanor Zelliot
2. Namdeo Dhasal
3. Golpitha
4. Jayanti Karvay

Options :

485584137505. 1
485584137506. 2
485584137507. 3
485584137508. 4

**Question Number : 373 Question Id : 48558434378 Question Type : MCQ Option Shuffling : No Is Question Mandatory :
No Calculator : None Response Time : N.A Think Time : N.A Minimum Instruction Time : 0**

Correct Marks : 5 Wrong Marks : 1

Question Key Details :

Key	Value
Comprehension	MCQ

The slogan of "Anti Arrack Movement in Andhra Pradesh was

1. Say no to liquor
2. Stop liquor
3. Prohibition on the sale of arrack
4. Stop arrack save lives

Options :

485584137509. 1
485584137510. 2
485584137511. 3
485584137512. 4

**Question Number : 374 Question Id : 48558434379 Question Type : MCQ Option Shuffling : No Is Question Mandatory :
No Calculator : None Response Time : N.A Think Time : N.A Minimum Instruction Time : 0**

Correct Marks : 5 Wrong Marks : 1

Question Key Details :

Key	Value
Comprehension	MCQ

Who was known as 'Periyar'?

1. E.V. Ramasami Naicker
2. Sheikh Abdulla
3. E.V. Ramanujan
4. E.S. Naiyekar

Options :

485584137513. 1
485584137514. 2
485584137515. 3
485584137516. 4

Question Number : 375 Question Id : 48558434380 Question Type : MCQ Option Shuffling : No Is Question Mandatory : No Calculator : None Response Time : N.A Think Time : N.A Minimum Instruction Time : 0

Correct Marks : 5 Wrong Marks : 1

Question Key Details :

Key	Value
Comprehension	MCQ

Write the full form of 'AASU'

1. All Assam Students Union
2. All Assam Samarathak Union
3. All Assam Samman Union
4. All Assam Student united

Options :

485584137517. 1
485584137518. 2
485584137519. 3
485584137520. 4

Question Number : 376 Question Id : 48558434381 Question Type : MCQ Option Shuffling : No Is Question Mandatory : No Calculator : None Response Time : N.A Think Time : N.A Minimum Instruction Time : 0

Correct Marks : 5 Wrong Marks : 1

Question Key Details :

Key	Value
Comprehension	MCQ

Who advocated the Charbuja Rajniti

1. Ram Manohar Lohia
2. Ram Thakur
3. Lala Lajpat Rai
4. Atal Bihari Vajpayee

Options :

485584137521. 1
485584137522. 2
485584137523. 3
485584137524. 4

Question Number : 377 Question Id : 48558434382 Question Type : MCQ Option Shuffling : No Is Question Mandatory : No Calculator : None Response Time : N.A Think Time : N.A Minimum Instruction Time : 0

Correct Marks : 5 Wrong Marks : 1

Question Key Details :

Key	Value
Comprehension	MCQ

BRIC was formed in which year

1. 2005
2. 2006
3. 2007
4. 2008

Options :

485584137525. 1
485584137526. 2
485584137527. 3
485584137528. 4

Question Number : 378 Question Id : 48558434383 Question Type : MCQ Option Shuffling : No Is Question Mandatory : No Calculator : None Response Time : N.A Think Time : N.A Minimum Instruction Time : 0

Correct Marks : 5 Wrong Marks : 1

Question Key Details :

Key	Value
Comprehension	MCQ

Full form of NITI Aayog :

1. National Institution for Transforming India
2. National Institution for Testing India
3. National Institution for Total India
4. national Integration of total India

Options :

485584137529. 1
485584137530. 2
485584137531. 3
485584137532. 4

Question Number : 379 Question Id : 48558434384 Question Type : MCQ Option Shuffling : No Is Question Mandatory : No Calculator : None Response Time : N.A Think Time : N.A Minimum Instruction Time : 0

Correct Marks : 5 Wrong Marks : 1

Question Key Details :

Key	Value
Comprehension	MCQ

Match List I with List II

LIST I		LIST II	
A.	IAEA	I.	2006
B.	World Bank	II.	1995
C.	human Rights Council	III.	1957
D.	WTO	IV.	1944

Choose the correct answer from the options given below:

1. A-IV, B-I, C-II, D-III
2. A-I, B-II, C-III, D-IV
3. A-III, B-IV, C-I, D-II
4. A-II, B-III, C-I, D-IV

Options :

485584137533. 1
485584137534. 2
485584137535. 3
485584137536. 4

Question Number : 380 Question Id : 48558434385 Question Type : MCQ Option Shuffling : No Is Question Mandatory : No Calculator : None Response Time : N.A Think Time : N.A Minimum Instruction Time : 0

Correct Marks : 5 Wrong Marks : 1

Question Key Details :

Key	Value
-----	-------

Match List I with List II

LIST I		LIST II	
A.	Maulana Abul Kalam	I.	President of Congress Socialist Party
B.	Rajkumari Amrit Kaur	II.	First Education Minister
C.	Acharya Narendra Dev	III.	Political leader from Kerala
D.	A K Gopalan	IV.	First Health Minister

Choose the correct answer from the options given below:

1. A-II, B-I, C-IV, D-III
2. A-I, B-IV, C-III, D-II
3. A-II, B-IV, C-I, D-III
4. A-IV, B-II, C-I, D-III

Options :

485584137537. 1
 485584137538. 2
 485584137539. 3
 485584137540. 4

Question Number : 381 Question Id : 48558434386 Question Type : MCQ Option Shuffling : No Is Question Mandatory : No Calculator : None Response Time : N.A Think Time : N.A Minimum Instruction Time : 0

Correct Marks : 5 Wrong Marks : 1

Question Key Details :

Key	Value
Comprehension	MCQ

Choose the wrong statement about Jagjivan Ram from the following options:

1. Member of Parliament since 1952 till his death.
2. Freedom fighter and Congress leader from Bihar
3. Finance Minister in the first Ministry of free India
4. Deputy Prime Minister of India (1977-1979)

Options :

485584137541. 1
 485584137542. 2
 485584137543. 3
 485584137544. 4

Question Number : 382 Question Id : 48558434387 Question Type : MCQ Option Shuffling : No Is Question Mandatory : No Calculator : None Response Time : N.A Think Time : N.A Minimum Instruction Time : 0

Correct Marks : 5 Wrong Marks : 1

Question Key Details :

Key	Value
Comprehension	MCQ

Arrange the following Prime Ministers in chronological order of their tenure.

- A. Narendra Modi
- B. Chandra Shekhar
- C. V. P. Singh
- D. P. V. Narsimha Rao
- E. Manmohan Singh

Choose the most appropriate answer from the options given below:

- 1. C, B, D, E, A only
- 2. B, C, D, E, A only
- 3. D, B, C, E, A only
- 4. C, D, B, E, A only

Options :

- 485584137545. 1
- 485584137546. 2
- 485584137547. 3
- 485584137548. 4

Question Number : 383 Question Id : 48558434388 Question Type : MCQ Option Shuffling : No Is Question Mandatory : No Calculator : None Response Time : N.A Think Time : N.A Minimum Instruction Time : 0

Correct Marks : 5 Wrong Marks : 1

Question Key Details :

Key	Value
Comprehension	MCQ

UNHCR stands for-

- 1. The United Nations High Commission For Refugees.
- 2. The United National High Commission For Refugees.
- 3. The United Nations High Commission for Refugees.
- 4. The United Nations Health Commission for Refugees.

Options :

- 485584137549. 1
- 485584137550. 2
- 485584137551. 3
- 485584137552. 4

Question Number : 384 Question Id : 48558434389 Question Type : MCQ Option Shuffling : No Is Question Mandatory : No Calculator : None Response Time : N.A Think Time : N.A Minimum Instruction Time : 0

Correct Marks : 5 Wrong Marks : 1

Question Key Details :

Key	Value
-----	-------

Who announced the formation of a separate Andhra state in December 1952

1. First Deputy Prime Minister of an independent India
2. First Home Minister of an independent India
3. Chief Minister of Madras
4. First Prime Minister of an independent India

Options :

485584137553. 1
 485584137554. 2
 485584137555. 3
 485584137556. 4

Question Number : 385 Question Id : 48558434390 Question Type : MCQ Option Shuffling : No Is Question Mandatory : No Calculator : None Response Time : N.A Think Time : N.A Minimum Instruction Time : 0

Correct Marks : 5 Wrong Marks : 1

Question Key Details :

Key	Value
Comprehension	MCQ

- A. The green revolution resulted in the rise of what is called the middle peasant sections.
- B. After green revolution Uttar Pradesh, Bihar and Madhya Pradesh became agriculturally prosperous.
- C. The green revolution delivered only a moderate agriculture growth and raised the availability of food in the country.
- D. In 1982 the rural development programme called operation flood was started.

Choose the correct answer from the options given below:

1. A and C only
2. A and D only
3. C and D only
4. B and C only

Options :

485584137557. 1
 485584137558. 2
 485584137559. 3
 485584137560. 4

Question Number : 386 Question Id : 48558434391 Question Type : MCQ Option Shuffling : No Is Question Mandatory : No Calculator : None Response Time : N.A Think Time : N.A Minimum Instruction Time : 0

Correct Marks : 5 Wrong Marks : 1

Question Key Details :

Key	Value
Comprehension	MCQ

When did the Government of India replaced the Planning Commission with a new institution named "NITI Ayog"

1. 1 January 2014
2. 1 January 2016
3. 1 January 2019
4. 1 January 2015

Options :

485584137561. 1
485584137562. 2
485584137563. 3
485584137564. 4

Question Number : 387 Question Id : 48558434392 Question Type : MCQ Option Shuffling : No Is Question Mandatory : No Calculator : None Response Time : N.A Think Time : N.A Minimum Instruction Time : 0

Correct Marks : 5 Wrong Marks : 1

Question Key Details :

Key	Value
Comprehension	MCQ

The idea of Planning in India was drawn from:-

- A. The Bombay Plan
- B. Experiences of the Soviet bloc countries
- C. Gandhian vision of Society
- D. Demand by Peasant Organisation
- E. Self Sufficiency

Choose the correct answer from the options given below:

1. B and D only
2. D and C only
3. A and B only
4. A only

Options :

485584137565. 1
485584137566. 2
485584137567. 3
485584137568. 4

Question Number : 388 Question Id : 48558434393 Question Type : MCQ Option Shuffling : No Is Question Mandatory : No Calculator : None Response Time : N.A Think Time : N.A Minimum Instruction Time : 0

Correct Marks : 5 Wrong Marks : 1

Question Key Details :

Key	Value
Comprehension	MCQ

What led to the era of coalition government at the centre after 1989:

1. Due to rise of communist party.
2. Weaking of the congress system.
3. Due to death of Rajiv Gandhi
4. Due to implementation of recommendation by Mandal Commission

Options :

485584137569. 1
485584137570. 2
485584137571. 3
485584137572. 4

Question Number : 389 Question Id : 48558434394 Question Type : MCQ Option Shuffling : No Is Question Mandatory : No Calculator : None Response Time : N.A Think Time : N.A Minimum Instruction Time : 0

Correct Marks : 5 Wrong Marks : 1

Question Key Details :

Key	Value
Comprehension	MCQ

Match List I with List II

LIST I Incident		LIST II Year	
A.	Formation of NATO	I.	1947
B.	Cuban Missile Crisis	II.	1956
C.	Truman's Doctrine	III.	1949
D.	Soviet intervention in Hungry	IV.	1962

Choose the correct answer from the options given below:

1. A-III, B-IV, C-II, D-I
2. A-III, B-IV, C-I, D-II
3. A-I, B-II, C-III, D-IV
4. A-II, B-I, C-III, D-IV

Options :

485584137573. 1
485584137574. 2
485584137575. 3
485584137576. 4

Question Number : 390 Question Id : 48558434395 Question Type : MCQ Option Shuffling : No Is Question Mandatory : No Calculator : None Response Time : N.A Think Time : N.A Minimum Instruction Time : 0

Correct Marks : 5 Wrong Marks : 1

Question Key Details :

Key	Value
Comprehension	MCQ

Which of the Given leader is not the founding Member of NAM?

1. Josip Broz Tito
2. Jawaharlal Nehru
3. Indira Gandhi
4. Sukarno

Options :

485584137577. 1
485584137578. 2
485584137579. 3
485584137580. 4

Sub-Section Number : 2
Sub-Section Id : 4855842546
Question Shuffling Allowed : No
Is Section Default? : null

Question Number : 391 Question Id : 48558434396 Question Type : MCQ Option Shuffling : No Is Question Mandatory : No Calculator : None Response Time : N.A Think Time : N.A Minimum Instruction Time : 0

Correct Marks : 5 Wrong Marks : 1

Question Key Details :

Key	Value
Comprehension	Compl

Read the passage given below to answer

In spite of the many conflicts, the states of South Asia recognize the importance of cooperation and friendly relationship among themselves. The South Asian association for regional Cooperation (SAARC) is a major regional initiative by the South Asian states to evolve cooperation through multilateral means. It began in 1985. Unfortunately, due to persisting political differences, SAARC has not had much success. SAARC members signed the South Asian Free Trade (SAFTA) agreement which promised the formation of a free trade zone for the whole of South Asia.

The SAFTA agreement was signed in 2004 and came into effect on 1 January 2006. India thinks that there are real economic benefits for all SAFTA. Some in India think that SAFTA is not worth the trouble since India already has bilateral agreements with Bhutan, Nepal and Sri Lanka.

What statement is correct about SAARC

1. SAARC began in 1986
2. SAARC is an association of East Asian Nations
3. SAARC members signed South Asian Free Trade (SAFTA) Agreement
4. SAARC is a highly successful regional organisation

Options :

485584137581. 1
485584137582. 2
485584137583. 3
485584137584. 4

Question Number : 392 Question Id : 48558434397 Question Type : MCQ Option Shuffling : No Is Question Mandatory : No Calculator : None Response Time : N.A Think Time : N.A Minimum Instruction Time : 0

Correct Marks : 5 Wrong Marks : 1

Question Key Details :

Key	Value
Comprehension	Comp1

Read the passage given below to answer

In spite of the many conflicts, the states of South Asia recognize the importance of cooperation and friendly relationship among themselves. The South Asian association for regional Cooperation (SAARC) is a major regional initiative by the South Asian states to evolve cooperation through multilateral means. It began in 1985. Unfortunately, due to persisting political differences, SAARC has not had much success. SAARC members signed the South Asian Free Trade (SAFTA) agreement which promised the formation of a free trade zone for the whole of South Asia.

The SAFTA agreement was signed in 2004 and came into effect on 1 January 2006. India thinks that there are real economic benefits for all SAFTA. Some in India think that SAFTA is not worth the trouble since India already has bilateral agreements with Bhutan, Nepal and Shri Lanka.

State the years correctly when the agreement SAFTA was signed and came into effect:-

1. 2006 and 2007
2. 2004 and 2005
3. 2004 and 2006
4. 2008 and 2009

Options :

485584137585. 1
485584137586. 2
485584137587. 3
485584137588. 4

Question Number : 393 Question Id : 48558434398 Question Type : MCQ Option Shuffling : No Is Question Mandatory : No Calculator : None Response Time : N.A Think Time : N.A Minimum Instruction Time : 0

Correct Marks : 5 Wrong Marks : 1

Question Key Details :

Key	Value
Comprehension	Comp1

Read the passage given below to answer

In spite of the many conflicts, the states of South Asia recognize the importance of cooperation and friendly relationship among themselves. The South Asian association for regional Cooperation (SAARC) is a major regional initiative by the South Asian states to evolve cooperation through multilateral means. It began in 1985. Unfortunately, due to persisting political differences, SAARC has not had much success. SAARC members signed the South Asian Free Trade (SAFTA) agreement which promised the formation of a free trade zone for the whole of South Asia.

The SAFTA agreement was signed in 2004 and came into effect on 1 January 2006. India thinks that there are real economic benefits for all SAFTA. Some in India think that SAFTA is not worth the trouble since India already has bilateral agreements with Bhutan, Nepal and Shri Lanka.

Complete the following:

SAARC has been evolved for cooperation through which of the following means

1. Multilateral
2. Bilateral
3. Unilateral
4. Tripartite

Options :

- 485584137589. 1
- 485584137590. 2
- 485584137591. 3
- 485584137592. 4

Question Number : 394 Question Id : 48558434399 Question Type : MCQ Option Shuffling : No Is Question Mandatory : No Calculator : None Response Time : N.A Think Time : N.A Minimum Instruction Time : 0

Correct Marks : 5 Wrong Marks : 1

Question Key Details :

Key	Value
Comprehension	Comp1

Read the passage given below to answer

In spite of the many conflicts, the states of South Asia recognize the importance of cooperation and friendly relationship among themselves. The South Asian association for regional Cooperation (SAARC) is a major regional initiative by the South Asian states to evolve cooperation through multilateral means. It began in 1985. Unfortunately, due to persisting political differences, SAARC has not had much success. SAARC members signed the South Asian Free Trade (SAFTA) agreement which promised the formation of a free trade zone for the whole of South Asia.

The SAFTA agreement was signed in 2004 and came into effect on 1 January 2006. India thinks that there are real economic benefits for all SAFTA. Some in India think that SAFTA is not worth the trouble since India already has bilateral agreements with Bhutan, Nepal and Shri Lanka.

The full form of SAARC is

1. South Asian Amalgamation for Regional Cooperation
2. South Asian Association for Regional Cooperation
3. South African Association for Regional Cooperation
4. South Asian Association for Research and Cooperation

Options :

- 485584137593. 1
- 485584137594. 2
- 485584137595. 3
- 485584137596. 4

Question Number : 395 Question Id : 48558434400 Question Type : MCQ Option Shuffling : No Is Question Mandatory : No Calculator : None Response Time : N.A Think Time : N.A Minimum Instruction Time : 0

Correct Marks : 5 Wrong Marks : 1

Question Key Details :

Key	Value
Comprehension	Comp1

Read the passage given below to answer

In spite of the many conflicts, the states of South Asia recognize the importance of cooperation and friendly relationship among themselves. The South Asian association for regional Cooperation (SAARC) is a major regional initiative by the South Asian states to evolve cooperation through multilateral means. It began in 1985. Unfortunately, due to persisting political differences, SAARC has not had much success. SAARC members signed the South Asian Free Trade (SAFTA) agreement which promised the formation of a free trade zone for the whole of South Asia.

The SAFTA agreement was signed in 2004 and came into effect on 1 January 2006. India thinks that there are real economic benefits for all SAFTA. Some in India think that SAFTA is not worth the trouble since India already has bilateral agreements with Bhutan, Nepal and Shri Lanka.

The following agreement promised the formation of a free trade zone for the whole of South Asia

1. WTO
2. BAFTA
3. SAARC
4. SAFTA

Options :

- 485584137597. 1
- 485584137598. 2
- 485584137599. 3
- 485584137600. 4

Sub-Section Number :

3

Sub-Section Id :

4855842547

Question Shuffling Allowed :

No

Is Section Default? :

null

Question Number : 396 Question Id : 48558434401 Question Type : MCQ Option Shuffling : No Is Question Mandatory : No Calculator : None Response Time : N.A Think Time : N.A Minimum Instruction Time : 0

Correct Marks : 5 Wrong Marks : 1

Question Key Details :

Key	Value
Comprehension	Comp2

Globalisation is a multi-dimensional concept. It has political, economic and cultural manifestations, and these must be adequately distinguished. The impact of globalisation is vastly uneven. It affects some societies more than others. It is important to avoid drawing general conclusions about the impact of globalisation without paying sufficient attention to specific contexts. Globalisation as a concept fundamentally deals with flows. These flows could be of various kinds- ideas moving from one part of the world to another, capital shunted between two or more places, commodities being traded across borders, and people moving in search of better livelihoods to different parts of the world.

Globalisation is a most dimensional concept because it deals with:

1. Political, economic, cultural etc aspects.
2. Democratic countries only
3. Economic Aspect
4. MNC's

Options :

485584137601. 1

485584137602. 2

485584137603. 3

485584137604. 4

Question Number : 397 Question Id : 48558434402 Question Type : MCQ Option Shuffling : No Is Question Mandatory : No Calculator : None Response Time : N.A Think Time : N.A Minimum Instruction Time : 0

Correct Marks : 5 Wrong Marks : 1

Question Key Details :

Key	Value
Comprehension	Comp2

Globalisation is a multi-dimensional concept. It has political, economic and cultural manifestations, and these must be adequately distinguished. The impact of globalisation is vastly uneven. It affects some societies more than others. It is important to avoid drawing general conclusions about the impact of globalisation without paying sufficient attention to specific contexts. Globalisation as a concept fundamentally deals with flows. These flows could be of various kinds- ideas moving from one part of the world to another, capital shunted between two or more places, commodities being traded across borders, and people moving in search of better livelihoods to different parts of the world.

It is important to avoid a general conclusion about Globalisation because:-

1. It's impact will vary due to different contexts.
2. There are different winds of Globalisation.
3. It is not a world-wide phenomenon.
4. Only the developed world is involved.

Options :

- 485584137605. 1
- 485584137606. 2
- 485584137607. 3
- 485584137608. 4

Question Number : 398 Question Id : 48558434403 Question Type : MCQ Option Shuffling : No Is Question Mandatory : No Calculator : None Response Time : N.A Think Time : N.A Minimum Instruction Time : 0

Correct Marks : 5 Wrong Marks : 1

Question Key Details :

Key	Value
Comprehension	Comp2

Globalisation is a multi-dimensional concept. It has political, economic and cultural manifestations, and these must be adequately distinguished. The impact of globalisation is vastly uneven. It affects some societies more than others. It is important to avoid drawing general conclusions about the impact of globalisation without paying sufficient attention to specific contexts. Globalisation as a concept fundamentally deals with flows. These flows could be of various kinds- ideas moving from one part of the world to another, capital shunted between two or more places, commodities being traded across borders, and people moving in search of better livelihoods to different parts of the world.

The process of Globalisation

- A. affects almost every society.
- B. involves flow of various kinds.
- C. Does not deal with Individual.
- D. Wherein commodities cannot be traded across borders.
- E. impact varies on the basis of context.

Choose the correct answer from the options given below:

1. A, B, C only
2. A, B, E only
3. B, C, E only
4. A, D, E only

Options :

- 485584137609. 1
- 485584137610. 2
- 485584137611. 3

Question Number : 399 Question Id : 48558434404 Question Type : MCQ Option Shuffling : No Is Question Mandatory : No Calculator : None Response Time : N.A Think Time : N.A Minimum Instruction Time : 0

Correct Marks : 5 Wrong Marks : 1

Question Key Details :

Key	Value
Comprehension	Comp2

Globalisation is a multi-dimensional concept. It has political, economic and cultural manifestations, and these must be adequately distinguished. The impact of globalisation is vastly uneven. It affects some societies more than others. It is important to avoid drawing general conclusions about the impact of globalisation without paying sufficient attention to specific contexts. Globalisation as a concept fundamentally deals with flows. These flows could be of various kinds- ideas moving from one part of the world to another, capital shunted between two or more places, commodities being traded across borders, and people moving in search of better livelihoods to different parts of the world.

- A. Due to Globalisation, the states become borderless.
- B. Due to Globalisation, the borders have become blurred.
- C. Due to Globalisation, borders doesn't get affected.
- D. Due to Globalisation, there is flow commodities and goods.
- E. Due to Globalisation, there is flow capital and people.

Choose the correct answer from the options given below:

- 1. A, B, D, E only
- 2. A, B, C, D only
- 3. B, C, D, E only
- 4. A, C, D, E only

Options :

- 485584137613. 1
- 485584137614. 2
- 485584137615. 3
- 485584137616. 4

Question Number : 400 Question Id : 48558434405 Question Type : MCQ Option Shuffling : No Is Question Mandatory : No Calculator : None Response Time : N.A Think Time : N.A Minimum Instruction Time : 0

Correct Marks : 5 Wrong Marks : 1

Question Key Details :

Key	Value
Comprehension	Comp2

Globalisation is a multi-dimensional concept. It has political, economic and cultural manifestations, and these must be adequately distinguished. The impact of globalisation is vastly uneven. It affects some societies more than others. It is important to avoid drawing general conclusions about the impact of globalisation without paying sufficient attention to specific contexts. Globalisation as a concept fundamentally deals with flows. These flows could be of various kinds- ideas moving from one part of the world to another, capital shunted between two or more places, commodities being traded across borders, and people moving in search of better livelihoods to different parts of the world.

Choose the incorrect from the following:-

1. World Bank is an international organisation.
2. World Bank provides loan to member-countries as well as non-member countries.
3. World Bank influences the economic policy of the developing countries.
4. World Bank works for human development, agriculture and rural development, environment protection, governance, to name a few.

Options :

485584137617. 1
485584137618. 2
485584137619. 3
485584137620. 4

Sanskrit Lang

Group Number :	13
Group Id :	485584780
Group Maximum Duration :	45
Group Minimum Duration :	45
Show Attended Group? :	No
Edit Attended Group? :	No
Break time :	0
Group Marks :	200
Is this Group for Examiner? :	No
Examiner permission :	Can't View
Show Progress Bar? :	No

Sanskrit Lang

Section Id :	485584898
Section Number :	1
Section type :	Online
Mandatory or Optional :	Mandatory
Number of Questions :	50
Number of Questions to be attempted :	40
Section Marks :	200
Enable Mark as Answered Mark for Review and Clear Response :	Yes
Maximum Instruction Time :	0
Sub-Section Number :	1

Sub-Section Id : 4855842548
Question Shuffling Allowed : No
Is Section Default? : null
Sub-Section Number : 2
Sub-Section Id : 4855842549
Question Shuffling Allowed : No
Is Section Default? : null
Sub-Section Number : 3
Sub-Section Id : 4855842550
Question Shuffling Allowed : No
Is Section Default? : null
Sub-Section Number : 4
Sub-Section Id : 4855842551
Question Shuffling Allowed : Yes
Is Section Default? : null

Sociology

Group Number : 14
Group Id : 485584781
Group Maximum Duration : 45
Group Minimum Duration : 45
Show Attended Group? : No
Edit Attended Group? : No
Break time : 0
Group Marks : 200
Is this Group for Examiner? : No
Examiner permission : Cant View
Show Progress Bar? : No

Sociology

Section Id : 485584899
Section Number : 1
Section type : Online
Mandatory or Optional : Mandatory
Number of Questions : 50
Number of Questions to be attempted : 40
Section Marks : 200
Enable Mark as Answered Mark for Review and Clear Response : Yes
Maximum Instruction Time : 0
Sub-Section Number : 1
Sub-Section Id : 4855842552
Question Shuffling Allowed : Yes
Is Section Default? : null

Question Number : 401 Question Id : 48558434506 Question Type : MCQ Option Shuffling : No Is Question Mandatory : No Calculator : None Response Time : N.A Think Time : N.A Minimum Instruction Time : 0 Correct Marks : 5 Wrong Marks : 1

Question Key Details :

Key	Value
-----	-------

Wrights milla is a well known:

1. French sociologist
2. American sociologist
3. German sociologist
4. British sociologist

Options :

485584138021. 1
485584138022. 2
485584138023. 3
485584138024. 4

Question Number : 402 Question Id : 48558434507 Question Type : MCQ Option Shuffling : No Is Question Mandatory : No Calculator : None Response Time : N.A Think Time : N.A Minimum Instruction Time : 0

Correct Marks : 5 Wrong Marks : 1

Question Key Details :

Key	Value
Comprehension	MCQ

The concept of 'failure of entitlements has been given by:

1. Amartya Sen
2. Emile Durkheim
3. Abhijit Banerjee
4. Thomas Robert Malthus

Options :

485584138025. 1
485584138026. 2
485584138027. 3
485584138028. 4

Question Number : 403 Question Id : 48558434508 Question Type : MCQ Option Shuffling : No Is Question Mandatory : No Calculator : None Response Time : N.A Think Time : N.A Minimum Instruction Time : 0

Correct Marks : 5 Wrong Marks : 1

Question Key Details :

Key	Value
Comprehension	MCQ

A systematic study of population is called

1. Polygraphy
2. Sesmiography
3. Oceanography
4. Demography

Options :

485584138029. 1
485584138030. 2
485584138031. 3
485584138032. 4

Question Number : 404 Question Id : 48558434509 Question Type : MCQ Option Shuffling : No Is Question Mandatory : No Calculator : None Response Time : N.A Think Time : N.A Minimum Instruction Time : 0

Correct Marks : 5 Wrong Marks : 1

Question Key Details :

Key	Value
Comprehension	MCQ

Match List I with List II

LIST I		LIST II	
A.	Population momentum	I.	Voluntary action to reduce population growth
B.	Demographic Divident	II.	Large cohort of women at reproduct age
C.	Population pyramid	III.	Group data in term of gender and age
D.	Preventive check	IV.	Higher population of workers compared to non-workers

Choose the correct answer from the options given below:

1. A-III, B-I, C-IV, D-II
2. A-II, B-IV, C-III, D-I
3. A-I, B-III, C-II, D-IV
4. A-IV, B-II, C-I, D-III

Options :

485584138033. 1
485584138034. 2
485584138035. 3
485584138036. 4

Question Number : 405 Question Id : 48558434510 Question Type : MCQ Option Shuffling : No Is Question Mandatory : No Calculator : None Response Time : N.A Think Time : N.A Minimum Instruction Time : 0

Correct Marks : 5 Wrong Marks : 1

Question Key Details :

Key	Value
Comprehension	MCQ

Match List I with List II

LIST I		LIST II	
A.	Welth of Nation	I.	Mask Weber
B.	Capitalism	II.	Alfred Gell
C.	Status symbol	III.	Adam Smith
D.	Heirarchial social group	IV.	Karl Mark

Choose the correct answer from the options given below:

1. A-III, B-I, C-II, D-IV
2. A-III, B-II, C-I, D-IV
3. A-III, B-IV, C-I, D-II
4. A-III, B-I, C-IV, D-II

Options :

- 485584138037. 1
- 485584138038. 2
- 485584138039. 3
- 485584138040. 4

Question Number : 406 Question Id : 48558434511 Question Type : MCQ Option Shuffling : No Is Question Mandatory : No Calculator : None Response Time : N.A Think Time : N.A Minimum Instruction Time : 0

Correct Marks : 5 Wrong Marks : 1

Question Key Details :

Key	Value
Comprehension	MCQ

The criteria for inclusion in civil society is that the organisation should lie:

1. Commercial
2. State controlled
3. Non-State controlled
4. Profit making

Options :

- 485584138041. 1
- 485584138042. 2
- 485584138043. 3
- 485584138044. 4

Question Number : 407 Question Id : 48558434512 Question Type : MCQ Option Shuffling : No Is Question Mandatory : No Calculator : None Response Time : N.A Think Time : N.A Minimum Instruction Time : 0

Correct Marks : 5 Wrong Marks : 1

Question Key Details :

Key	Value
Comprehension	MCQ

Match List I with List II

LIST I		LIST II	
A.	Kaka Kalelkar commission	I.	1990
B.	Brahmo Samaj	II.	1828
C.	Karachi session of Indian National Congress	III.	1953
D.	B.P.Mandal commission	IV.	1931

Choose the correct answer from the options given below:

1. A-III, B-II, C-IV, D-I
2. A-IV, B-III, C-II, D-I
3. A-II, B-III, C-I, D-IV
4. A-I, B-II, C-III, D-IV

Options :

- 485584138045. 1
- 485584138046. 2
- 485584138047. 3
- 485584138048. 4

Question Number : 408 Question Id : 48558434513 Question Type : MCQ Option Shuffling : No Is Question Mandatory : No Calculator : None Response Time : N.A Think Time : N.A Minimum Instruction Time : 0

Correct Marks : 5 Wrong Marks : 1

Question Key Details :

Key	Value
Comprehension	MCQ

Arrange the following statement in correct sequence of events

- A. Effort to re-organise into Ethnic-Linguistic states
- B. Indian state continued with British-Indian arrangement of presidency
- C. Vigorous movements among Maratha and Kannada speakers in Bombay and Madras presidencies
- D. Pakistan was divided between Urdu and Punjabi speakers in the west and Bengali speakers in the east
- E. Formation of SRC for final approval on Linguistic states

Choose the correct answer from the option given below:

- 1. A, B, E, C, D
- 2. B, A, C, E, D
- 3. B, C, A, E, D
- 4. A, D, C, E, B

Options :

- 485584138049. 1
- 485584138050. 2
- 485584138051. 3
- 485584138052. 4

Question Number : 409 Question Id : 48558434514 Question Type : MCQ Option Shuffling : No Is Question Mandatory : No Calculator : None Response Time : N.A Think Time : N.A Minimum Instruction Time : 0

Correct Marks : 5 Wrong Marks : 1

Question Key Details :

Key	Value
Comprehension	MCQ

The most infamous pandemic was 'Spanish flue'which occurred in the year-

- 1. 2020
- 2. 1957
- 3. 1918
- 4. 1947\

Options :

- 485584138053. 1
- 485584138054. 2
- 485584138055. 3
- 485584138056. 4

Question Number : 410 Question Id : 48558434515 Question Type : MCQ Option Shuffling : No Is Question Mandatory : No Calculator : None Response Time : N.A Think Time : N.A Minimum Instruction Time : 0

Correct Marks : 5 Wrong Marks : 1

Question Key Details :

Key	Value
Comprehension	MCQ

Which article of the constitution of India states the following

"No citizen shall be denied admission into any educational institution, maintained by the state or received out of state funds on grounds only of religion, race, caste, language or any of them"

1. Article 29(1)
2. Article 29(2)
3. Article 30(1)
4. Article 30(2)

Options :

- 485584138057. 1
- 485584138058. 2
- 485584138059. 3
- 485584138060. 4

Question Number : 411 Question Id : 48558434516 Question Type : MCQ Option Shuffling : No Is Question Mandatory : No Calculator : None Response Time : N.A Think Time : N.A Minimum Instruction Time : 0 Correct Marks : 5 Wrong Marks : 1

Question Key Details :

Key	Value
Comprehension	MCQ

Who considered exclusive nationalism to be an evil?

1. J.Nehru
2. R. Tagor
3. B.R. Ambedkar
4. Bhagat Singh

Options :

- 485584138061. 1
- 485584138062. 2
- 485584138063. 3
- 485584138064. 4

Question Number : 412 Question Id : 48558434517 Question Type : MCQ Option Shuffling : No Is Question Mandatory : No Calculator : None Response Time : N.A Think Time : N.A Minimum Instruction Time : 0 Correct Marks : 5 Wrong Marks : 1

Question Key Details :

Key	Value
Comprehension	MCQ

Match List I with List II

LIST I		LIST II	
A.	Zamindari System	I.	Benami transfer
B.	Rayatwari System	II.	Radical restructuring of agrarian structure in Kerala+Bengal
C.	Tenancy abolition and regulation	III.	Less burden of taxation, more proporsion
D.	Land Ceiling	IV.	Agricultural product stagnated/deliver

Choose the correct answer from the options given below:

1. A-III, B-I, C-IV, D-II
2. A-IV, B-II, C-I, D-III
3. A-I, B-II, C-III, D-IV
4. A-IV, B-III, C-II, D-I

Options :

485584138065. 1
485584138066. 2
485584138067. 3
485584138068. 4

Question Number : 413 Question Id : 48558434518 Question Type : MCQ Option Shuffling : No Is Question Mandatory : No Calculator : None Response Time : N.A Think Time : N.A Minimum Instruction Time : 0

Correct Marks : 5 Wrong Marks : 1

Question Key Details :

Key	Value
Comprehension	MCQ

Strike out incorrect statement about Panchayati Raj:-

1. Panchayati Raj translates to "Governance by five individuals"
2. At the base of the structure stands "Gram Sabha"
3. The 74th Amanedment provided a three-tier system of Panchayati Raj
4. Election to these bodies are conducted every five years.

Options :

485584138069. 1
485584138070. 2
485584138071. 3
485584138072. 4

Question Number : 414 Question Id : 48558434519 Question Type : MCQ Option Shuffling : No Is Question Mandatory : No Calculator : None Response Time : N.A Think Time : N.A Minimum Instruction Time : 0

Correct Marks : 5 Wrong Marks : 1

Question Key Details :

Key	Value
Comprehension	MCQ

Read the statements given below and choose the option with the correct sequence of events:

- A. Green revolution introduced in the dry and the semi-arid regions of India 2nd phase
- B. New technology introduced
- C. Displacement of service caste groups.
- D. Increasing Commercialisation

Choose the correct answer from the option given below:

- 1. A, B, C, D
- 2. B, C, A, D
- 3. D, C, A, B
- 4. B, C, D, A

Options :

- 485584138073. 1
- 485584138074. 2
- 485584138075. 3
- 485584138076. 4

Question Number : 415 Question Id : 48558434520 Question Type : MCQ Option Shuffling : No Is Question Mandatory : No Calculator : None Response Time : N.A Think Time : N.A Minimum Instruction Time : 0

Correct Marks : 5 Wrong Marks : 1

Question Key Details :

Key	Value
Comprehension	MCQ

Extended working hours are Legitimesed by the common management, Which in theory, gives the employee freedom to choose his/her working hours. Give the common nomenclature of this process.

- 1. Own-Time
- 2. Flexi-Time
- 3. Me-Time
- 4. Work-From-Home-Time

Options :

- 485584138077. 1
- 485584138078. 2
- 485584138079. 3
- 485584138080. 4

Question Number : 416 Question Id : 48558434521 Question Type : MCQ Option Shuffling : No Is Question Mandatory : No Calculator : None Response Time : N.A Think Time : N.A Minimum Instruction Time : 0

Correct Marks : 5 Wrong Marks : 1

Question Key Details :

Key	Value
Comprehension	MCQ

Disinvestment means:

1. Svaging in the bank
2. Privatisation of public sector or Government companies
3. Open market for global citizens
4. Acquiring small and medium industries

Options :

- 485584138081. 1
- 485584138082. 2
- 485584138083. 3
- 485584138084. 4

Question Number : 417 Question Id : 48558434522 Question Type : MCQ Option Shuffling : No Is Question Mandatory : No Calculator : None Response Time : N.A Think Time : N.A Minimum Instruction Time : 0

Correct Marks : 5 Wrong Marks : 1

Question Key Details :

Key	Value
Comprehension	MCQ

Arrange the following process in chronological order:

- A. Manufacturer branding and selling
- B. Workers rolling the leaves
- C. Plucking of tendu leaves
- D. Selling tendu leaves by contractor to government
- E. Auctions leaves of factory owners

Choose the correct answer from the options given below:

1. C, D, E, B, A
2. C, D, E, A, B
3. C, D, B, A, E
4. C, D, A, E, B

Options :

- 485584138085. 1
- 485584138086. 2
- 485584138087. 3
- 485584138088. 4

Question Number : 418 Question Id : 48558434523 Question Type : MCQ Option Shuffling : No Is Question Mandatory : No Calculator : None Response Time : N.A Think Time : N.A Minimum Instruction Time : 0

Correct Marks : 5 Wrong Marks : 1

Question Key Details :

Key	Value
Comprehension	MCQ

Who has argued nation as an imagined community?

1. J. Gutenleerg
2. Raja Rammohan Roy
3. Vidyasagar
4. Benedict Anderson

Options :

485584138089. 1
485584138090. 2
485584138091. 3
485584138092. 4

Question Number : 419 Question Id : 48558434524 Question Type : MCQ Option Shuffling : No Is Question Mandatory : No Calculator : None Response Time : N.A Think Time : N.A Minimum Instruction Time : 0

Correct Marks : 5 Wrong Marks : 1

Question Key Details :

Key	Value
Comprehension	MCQ

Match List I with List II

LIST I		LIST II	
Nature of work		Industry	
A.	Working conditions	I.	Bidi making, zari making
B.	Recruitment	II.	The mines Act 1952
C.	Management	III.	Jobless
D.	Home based work	IV.	Taylorism

Choose the correct answer from the options given below:

1. A-I, B-II, C-III, D-IV
2. A-III, B-IV, C-I, D-II
3. A-IV, B-I, C-II, D-III
4. A-II, B-III, C-IV, D-I

Options :

485584138093. 1
485584138094. 2
485584138095. 3

Question Number : 420 Question Id : 48558434525 Question Type : MCQ Option Shuffling : No Is Question Mandatory : No Calculator : None Response Time : N.A Think Time : N.A Minimum Instruction Time : 0

Correct Marks : 5 Wrong Marks : 1

Question Key Details :

Key	Value
Comprehension	MCQ

bidi workers are:

- A. Workers who substitute for regular permanent workers.
- B. Contract workers.
- C. Permanent workers.
- D. Workers who receive equal status and security like permanent workers

Choose the correct answer from the options given below:

- 1. C, D Only
- 2. A, B Only
- 3. A, D Only
- 4. B, D Only

Options :

- 485584138097. 1
- 485584138098. 2
- 485584138099. 3
- 485584138100. 4

Question Number : 421 Question Id : 48558434526 Question Type : MCQ Option Shuffling : No Is Question Mandatory : No Calculator : None Response Time : N.A Think Time : N.A Minimum Instruction Time : 0

Correct Marks : 5 Wrong Marks : 1

Question Key Details :

Key	Value
Comprehension	MCQ

The critics of Malthosian theory argued that poverty and Starvation were caused by

- A. Unequal distribution of economic resources
- B. Population growth
- C. injust social system
- D. Privileged minority

Choose the correct answer from the options given below:

- 1. B & D Only
- 2. B & C Only
- 3. A & C Only
- 4. A & B Only

Options :

- 485584138101. 1
- 485584138102. 2
- 485584138103. 3
- 485584138104. 4

Question Number : 422 Question Id : 48558434527 Question Type : MCQ Option Shuffling : No Is Question Mandatory : No Calculator : None Response Time : N.A Think Time : N.A Minimum Instruction Time : 0

Correct Marks : 5 Wrong Marks : 1

Question Key Details :

Key	Value
Comprehension	MCQ

The term used when individual are required to marry outside his/her group:

- 1. Monogamy
- 2. Polygamy
- 3. Endogamy
- 4. Exogamy

Options :

- 485584138105. 1
- 485584138106. 2
- 485584138107. 3
- 485584138108. 4

Question Number : 423 Question Id : 48558434528 Question Type : MCQ Option Shuffling : No Is Question Mandatory : No Calculator : None Response Time : N.A Think Time : N.A Minimum Instruction Time : 0

Correct Marks : 5 Wrong Marks : 1

Question Key Details :

Key	Value
Comprehension	MCQ

Permanent traits in tribes does not include:

1. region
2. Religion
3. language
4. Ecological Habit

Options :

- 485584138109. 1
- 485584138110. 2
- 485584138111. 3
- 485584138112. 4

Question Number : 424 Question Id : 48558434529 Question Type : MCQ Option Shuffling : No Is Question Mandatory : No Calculator : None Response Time : N.A Think Time : N.A Minimum Instruction Time : 0

Correct Marks : 5 Wrong Marks : 1

Question Key Details :

Key	Value
Comprehension	MCQ

The most common features of caste are:

- A. It involves strict rule about marriage.
- B. It involves rules about food and food sharing
- C. It is a matter of choice.
- D. Castes involved subdivisions within themselves.

Choose the correct answer from the options given below:

1. A, B & D Only
2. B, C & D Only
3. A, C & D Only
4. A, B & C Only

Options :

- 485584138113. 1
- 485584138114. 2
- 485584138115. 3
- 485584138116. 4

Question Number : 425 Question Id : 48558434530 Question Type : MCQ Option Shuffling : No Is Question Mandatory : No Calculator : None Response Time : N.A Think Time : N.A Minimum Instruction Time : 0

Correct Marks : 5 Wrong Marks : 1

Question Key Details :

Key	Value
Comprehension	MCQ

Who coined the term 'Status Symbol'?

1. T. K. Domenn
2. Levi Strauss
3. Emile Durkheim
4. Max Weber

Options :

485584138117. 1
485584138118. 2
485584138119. 3
485584138120. 4

Question Number : 426 Question Id : 48558434531 Question Type : MCQ Option Shuffling : No Is Question Mandatory : No Calculator : None Response Time : N.A Think Time : N.A Minimum Instruction Time : 0

Correct Marks : 5 Wrong Marks : 1

Question Key Details :

Key	Value
Comprehension	MCQ

Which tribe is matrilineal?

1. Bakarwal
2. Khasi
3. Bhil
4. Santhal

Options :

485584138121. 1
485584138122. 2
485584138123. 3
485584138124. 4

Question Number : 427 Question Id : 48558434532 Question Type : MCQ Option Shuffling : No Is Question Mandatory : No Calculator : None Response Time : N.A Think Time : N.A Minimum Instruction Time : 0

Correct Marks : 5 Wrong Marks : 1

Question Key Details :

Key	Value
Comprehension	MCQ

Indian parliamentary and Legal system is based on:

1. French Model
2. Canadian Model
3. British Model
4. Australian Model

Options :

- 485584138125. 1
- 485584138126. 2
- 485584138127. 3
- 485584138128. 4

Question Number : 428 Question Id : 48558434533 Question Type : MCQ Option Shuffling : No Is Question Mandatory : No Calculator : None Response Time : N.A Think Time : N.A Minimum Instruction Time : 0

Correct Marks : 5 Wrong Marks : 1

Question Key Details :

Key	Value
Comprehension	MCQ

Social inequality and exclusion are social because

- A. They are structured
- B. They are systematic
- C. They are unstructured
- D. They are non systematic

Choose the correct answer from the options given below:

1. A & D Only
2. B & C Only
3. A & B Only
4. C & D Only

Options :

- 485584138129. 1
- 485584138130. 2
- 485584138131. 3
- 485584138132. 4

Question Number : 429 Question Id : 48558434534 Question Type : MCQ Option Shuffling : No Is Question Mandatory : No Calculator : None Response Time : N.A Think Time : N.A Minimum Instruction Time : 0

Correct Marks : 5 Wrong Marks : 1

Question Key Details :

Key	Value
Comprehension	MCQ

In 1993 Supreme Court held that Right to Information is part of and incidental to The Right of expression under:

1. Article 19 (1)(A)
2. Article 17
3. Article 20 (1)(B)
4. Article 15

Options :

485584138133. 1
485584138134. 2
485584138135. 3
485584138136. 4

Question Number : 430 Question Id : 48558434535 Question Type : MCQ Option Shuffling : No Is Question Mandatory : No Calculator : None Response Time : N.A Think Time : N.A Minimum Instruction Time : 0

Correct Marks : 5 Wrong Marks : 1

Question Key Details :

Key	Value
Comprehension	MCQ

Arrange the following in order of the development of Indian women's struggle for equality.

- A. Raja Rammohan Roy undertook the campaign against Sati
- B. Law became the major site for reform against violence
- C. Karachi Session of INC committed itself to women's equality
- D. Dayanand saraswati stood for women's education based on religious principles

Choose the correct answer from the options given below:

1. D, A, C, B
2. B, D, C, A
3. A, B, C, D
4. A, D, C, B

Options :

485584138137. 1
485584138138. 2
485584138139. 3
485584138140. 4

Question Number : 431 Question Id : 48558434536 Question Type : MCQ Option Shuffling : No Is Question Mandatory : No Calculator : None Response Time : N.A Think Time : N.A Minimum Instruction Time : 0

Correct Marks : 5 Wrong Marks : 1

Question Key Details :

Key	Value
Comprehension	MCQ

Arrange the following in chronological sequence (from oldest to newest events)

- A. Champaran Satyagraha
- B. Bihar Provincial Kisan Sabha
- C. Deccan riots
- D. Tebhaga Movement
- E. Bardoli Satyagraha

Choose the correct answer from the options given below:

- 1. D, B, C, A, E
- 2. C, A, E, B, D
- 3. B, D, A, C, E
- 4. A, B, C, D, E

Options :

- 485584138141. 1
- 485584138142. 2
- 485584138143. 3
- 485584138144. 4

Question Number : 432 Question Id : 48558434537 Question Type : MCQ Option Shuffling : No Is Question Mandatory : No Calculator : None Response Time : N.A Think Time : N.A Minimum Instruction Time : 0

Correct Marks : 5 Wrong Marks : 1

Question Key Details :

Key	Value
Comprehension	MCQ

Sanskritization is a process of

- 1. Upward mobility
- 2. Downward mobility
- 3. Intra-generational mobility
- 4. Horizontal mobility

Options :

- 485584138145. 1
- 485584138146. 2
- 485584138147. 3
- 485584138148. 4

Question Number : 433 Question Id : 48558434538 Question Type : MCQ Option Shuffling : No Is Question Mandatory : No Calculator : None Response Time : N.A Think Time : N.A Minimum Instruction Time : 0

Correct Marks : 5 Wrong Marks : 1

Question Key Details :

Key	Value
Comprehension	MCQ

Out of the following which is the dominant caste in Andhra Pradesh?

1. Lingayats
2. Kammas
3. Jat
4. Sikhs

Options :

485584138149. 1
485584138150. 2
485584138151. 3
485584138152. 4

Question Number : 434 Question Id : 48558434539 Question Type : MCQ Option Shuffling : No Is Question Mandatory : No Calculator : None Response Time : N.A Think Time : N.A Minimum Instruction Time : 0

Correct Marks : 5 Wrong Marks : 1

Question Key Details :

Key	Value
Comprehension	MCQ

In the decocratic form of government who are the key actors?

1. Industrialists
2. Political Parties
3. People
4. NGO's

Options :

485584138153. 1
485584138154. 2
485584138155. 3
485584138156. 4

Question Number : 435 Question Id : 48558434540 Question Type : MCQ Option Shuffling : No Is Question Mandatory : No Calculator : None Response Time : N.A Think Time : N.A Minimum Instruction Time : 0

Correct Marks : 5 Wrong Marks : 1

Question Key Details :

Key	Value
Comprehension	MCQ

Which amendment provided a three-tier system of Panchayati Raj for all states having a population of over twenty lakh.

1. The 92nd Amendment
2. The 73rd Amendment
3. The 56th Amendment
4. The 83rd Amendment

Options :

- 485584138157. 1
- 485584138158. 2
- 485584138159. 3
- 485584138160. 4

Question Number : 436 Question Id : 48558434541 Question Type : MCQ Option Shuffling : No Is Question Mandatory : No Calculator : None Response Time : N.A Think Time : N.A Minimum Instruction Time : 0

Correct Marks : 5 Wrong Marks : 1

Question Key Details :

Key	Value
Comprehension	MCQ

An economy where the workforce involved in Design, Development, Technology, Marketing, Sales and Services is known as:-

1. Knowledge economy
2. Developed economy
3. Developing
4. Electronic economy

Options :

- 485584138161. 1
- 485584138162. 2
- 485584138163. 3
- 485584138164. 4

Question Number : 437 Question Id : 48558434542 Question Type : MCQ Option Shuffling : No Is Question Mandatory : No Calculator : None Response Time : N.A Think Time : N.A Minimum Instruction Time : 0

Correct Marks : 5 Wrong Marks : 1

Question Key Details :

Key	Value
Comprehension	MCQ

India's first long running soap opera was:

1. Hum log
2. Buniyaad
3. Ramayana
4. Mahabharata

Options :

485584138165. 1
485584138166. 2
485584138167. 3
485584138168. 4

Question Number : 438 Question Id : 48558434543 Question Type : MCQ Option Shuffling : No Is Question Mandatory : No Calculator : None Response Time : N.A Think Time : N.A Minimum Instruction Time : 0

Correct Marks : 5 Wrong Marks : 1

Question Key Details :

Key	Value
Comprehension	MCQ

Who wrote Unquite Woods?

1. Karl Marx
2. Ramchandra Guha
3. Dipanker Gupta
4. M.N.Srinivas

Options :

485584138169. 1
485584138170. 2
485584138171. 3
485584138172. 4

Question Number : 439 Question Id : 48558434544 Question Type : MCQ Option Shuffling : No Is Question Mandatory : No Calculator : None Response Time : N.A Think Time : N.A Minimum Instruction Time : 0

Correct Marks : 5 Wrong Marks : 1

Question Key Details :

Key	Value
Comprehension	MCQ

Social movement is:

1. absence of any degree of organisation
2. sustained collective action
3. necessarily include a leadership
4. disorganised protest

Options :

- 485584138173. 1
- 485584138174. 2
- 485584138175. 3
- 485584138176. 4

Question Number : 440 Question Id : 48558434545 Question Type : MCQ Option Shuffling : No Is Question Mandatory : No Calculator : None Response Time : N.A Think Time : N.A Minimum Instruction Time : 0

Correct Marks : 5 Wrong Marks : 1

Question Key Details :

Key	Value
Comprehension	MCQ

Gender identities impact men as well. A typical man in the Indian society is expected to be the following:

1. Do household work
2. Help in child rearing
3. Strong and successful
4. Helpful and compassionate

Options :

- 485584138177. 1
- 485584138178. 2
- 485584138179. 3
- 485584138180. 4

Sub-Section Number : 2
Sub-Section Id : 4855842553
Question Shuffling Allowed : No
Is Section Default? : null

Question Number : 441 Question Id : 48558434546 Question Type : MCQ Option Shuffling : No Is Question Mandatory : No Calculator : None Response Time : N.A Think Time : N.A Minimum Instruction Time : 0

Correct Marks : 5 Wrong Marks : 1

Question Key Details :

Key	Value
Comprehension	Comp1

Clamoring to enter India's red-hot retail sector, the world's largest chains, including WalMart Stores, Carrefour and Tesco, are seeking the best way to enter the country, despite a government ban on foreign direct investment in the market. Recent large investment by major Indian businesses, like Reliance Industries and Bharat Airtel, have increased the sense of urgency for foreign retailers..... Last week Bharat Airtel indicated that it was in talks with Wal-Mart, Carrefour and Tesco to set up a joint venture India's retails sector is attractive not only because of its fast growth, but because family-run street corner stores have 97 % of the nation's business. But this industry trait is precisely why the government makes it hard for foreigners to enter the market. Politicians frequently argue that global retailers would destroy thousands of small local players and fledgling domestic chains.

The government is trying to sell its share in several public sector companies, a process which is known as _____

1. Foreign investment
2. De investment
3. Dis investment
4. Retail therapy

Options :

- 485584138181. 1
- 485584138182. 2
- 485584138183. 3
- 485584138184. 4

Question Number : 442 Question Id : 48558434547 Question Type : MCQ Option Shuffling : No Is Question Mandatory : No Calculator : None Response Time : N.A Think Time : N.A Minimum Instruction Time : 0

Correct Marks : 5 Wrong Marks : 1

Question Key Details :

Key	Value
Comprehension	Comp1

Clamoring to enter India's red-hot retail sector, the world's largest chains, including WalMart Stores, Carrefour and Tesco, are seeking the best way to enter the country, despite a government ban on foreign direct investment in the market. Recent large investment by major Indian businesses, like Reliance Industries and Bharat Airtel, have increased the sense of urgency for foreign retailers..... Last week Bharat Airtel indicated that it was in talks with Wal-Mart, Carrefour and Tesco to set up a joint venture India's retails sector is attractive not only because of its fast growth, but because family-run street corner stores have 97 % of the nation's business. But this industry trait is precisely why the government makes it hard for foreigners to enter the market. Politicians frequently argue that global retailers would destroy thousands of small local players and fledgling domestic chains.

Due to globalisation, MNCs are outsourcing work to developing countries because:

1. Most MNC are headed by people from developing countries like India
2. The International Monetary Fund and World Trade Organisation makes it mandatory
3. Labour is skilled
4. Labour is cheaper in developing countries which will yield bigger profits for the MNCs

Options :

- 485584138185. 1
- 485584138186. 2
- 485584138187. 3
- 485584138188. 4

Question Number : 443 Question Id : 48558434548 Question Type : MCQ Option Shuffling : No Is Question Mandatory : No Calculator : None Response Time : N.A Think Time : N.A Minimum Instruction Time : 0

Correct Marks : 5 Wrong Marks : 1

Question Key Details :

Key	Value
Comprehension	Comp1

Clamoring to enter India's red-hot retail sector, the world's largest chains, including WalMart Stores, Carrefour and Tesco, are seeking the best way to enter the country, despite a government ban on foreign direct investment in the market. Recent large investment by major Indian businesses, like Reliance Industries and Bharat Airtel, have increased the sense of urgency for foreign retailers..... Last week Bharat Airtel indicated that it was in talks with Wal-Mart, Carrefour and Tesco to set up a joint venture India's retail sector is attractive not only because of its fast growth, but because family-run street corner stores have 97 % of the nation's business. But this industry trait is precisely why the government makes it hard for foreigners to enter the market. Politicians frequently argue that global retailers would destroy thousands of small local players and fledgling domestic chains.

India's retail sector is attractive not only because of its fast growth, but because family run street cover. Stores have a large share of the market. Identify the share of the family run cover business in retail sector.

1. 59%
2. 97%
3. 79%
4. 90%

Options :

- 485584138189. 1
- 485584138190. 2
- 485584138191. 3
- 485584138192. 4

Question Number : 444 Question Id : 48558434549 Question Type : MCQ Option Shuffling : No Is Question Mandatory : No Calculator : None Response Time : N.A Think Time : N.A Minimum Instruction Time : 0

Correct Marks : 5 Wrong Marks : 1

Question Key Details :

Key	Value
Comprehension	Compl

Clamoring to enter India's red-hot retail sector, the world's largest chains, including WalMart Stores, Carrefour and Tesco, are seeking the best way to enter the country, despite a government ban on foreign direct investment in the market. Recent large investment by major Indian businesses, like Reliance Industries and Bharat Airtel, have increased the sense of urgency for foreign retailers..... Last week Bharat Airtel indicated that it was in talks with Wal-Mart, Carrefour and Tesco to set up a joint venture India's retails sector is attractive not only because of its fast growth, but because family-run street corner stores have 97 % of the nation's business. But this industry trait is precisely why the government makes it hard for foreigners to enter the market. Politicians frequently argue that global retailers would destroy thousands of small local players and fledgling domestic chains.

Parle drinks bring bought by Coca Cola in an example of

1. Liberealization
2. De-Monetisation
3. Globalization
4. Acquisition

Options :

- 485584138193. 1
- 485584138194. 2
- 485584138195. 3
- 485584138196. 4

Question Number : 445 Question Id : 48558434550 Question Type : MCQ Option Shuffling : No Is Question Mandatory : No Calculator : None Response Time : N.A Think Time : N.A Minimum Instruction Time : 0

Correct Marks : 5 Wrong Marks : 1

Question Key Details :

Key	Value
Comprehension	Compl

Clamoring to enter India's red-hot retail sector, the world's largest chains, including WalMart Stores, Carrefour and Tesco, are seeking the best way to enter the country, despite a government ban on foreign direct investment in the market. Recent large investment by major Indian businesses, like Reliance Industries and Bharat Airtel, have increased the sense of urgency for foreign retailers..... Last week Bharat Airtel indicated that it was in talks with Wal-Mart, Carrefour and Tesco to set up a joint venture India's retails sector is attractive not only because of its fast growth, but because family-run street corner stores have 97 % of the nation's business. But this industry trait is precisely why the government makes it hard for foreigners to enter the market. Politicians frequently argue that global retailers would destroy thousands of small local players and fledgling domestic chains.

Identify the world's largest MNC in retail market

1. Wal - Mart stores
2. Pepsico
3. Relaince- Industries
4. Amazon

Options :

485584138197. 1
485584138198. 2
485584138199. 3
485584138200. 4

Sub-Section Number : 3
Sub-Section Id : 4855842554
Question Shuffling Allowed : No
Is Section Default? : null

Question Number : 446 Question Id : 48558434551 Question Type : MCQ Option Shuffling : No Is Question Mandatory : No Calculator : None Response Time : N.A Think Time : N.A Minimum Instruction Time : 0

Correct Marks : 5 Wrong Marks : 1

Question Key Details :

Key	Value
Comprehension	Comp2

Read the following passage and answer question based on the concept.

Considered from an, urban point of view. The rapid growth in urbanization shows that the town or city has been acting as a magnet for the rural population. Those who cannot find work (or sufficient work) in the rural areas go to the city in search of work. This flow of rural-to-urban migration has also been accelerated by the continuous decline of common property resources like ponds, forests and grazing land. These common resources enabled poor people to survive in the villages although they owned little or no land. Now, these resources have been turned into private property, or they are exhausted. (Ponds may run dry no longer provide enough fish; forests may have been cut down and have vanished...). If people no longer have access to these resources, but on the other hand have to buy many things in the market that they used to get free (like fuel, fodder or supplementary food items). Then their hardship increases. This hardship is worsened by the fact that opportunities for cash income are limited in the villages.

Identify how is Mass Media contributing to urbanization?

1. By controlling the product market
2. By streaming the image of urban life styles and patterns of consumption to rural people
3. By changing the views of rural people
4. By providing employment

Options :

485584138201. 1
485584138202. 2
485584138203. 3

Question Number : 447 Question Id : 48558434552 Question Type : MCQ Option Shuffling : No Is Question Mandatory : No Calculator : None Response Time : N.A Think Time : N.A Minimum Instruction Time : 0

Correct Marks : 5 Wrong Marks : 1

Question Key Details :

Key	Value
Comprehension	Comp2

Read the following passage and answer question based on the concept.

Considered from an, urban point of view. The rapid growth in urbanization shows that the town or city has been acting as a magnet for the rural population. Those who cannot find work (or sufficient work) in the rural areas go to the city in search of work. This flow of rural-to-urban migration has also been accelerated by the continuous decline of common property resources like ponds, forests and grazing land. These common resources enabled poor people to survive in the villages although they owned little or no land. Now, these resources have been turned into private property, or they are exhausted. (Ponds may run dry no longer provide enough fish; forests may have been cut down and have vanished...). If people no longer have access to these resources, but on the other hand have to buy many things in the market that they used to get free (like fuel, fodder or supplementary food items). Then their hardship increases. This hardship is worsened by the fact that opportunities for cash income are limited in the villages.

"There is a selective in the common property resources in the village trading to migration in that are these common property resources?"

1. Agricultural land
2. Ponds, forests and grazing land
3. Agricultural Implements
4. Friends and relatives

Options :

485584138205. 1
485584138206. 2
485584138207. 3
485584138208. 4

Question Number : 448 Question Id : 48558434553 Question Type : MCQ Option Shuffling : No Is Question Mandatory : No Calculator : None Response Time : N.A Think Time : N.A Minimum Instruction Time : 0

Correct Marks : 5 Wrong Marks : 1

Question Key Details :

Key	Value
Comprehension	Comp2

Read the following passage and answer question based on the concept.

Considered from an, urban point of view. The rapid growth in urbanization shows that the town or city has been acting as a magnet for the rural population. Those who cannot find work (or sufficient work) in the rural areas go to the city in search of work. This flow of rural-to-urban migration has also been accelerated by the continuous decline of common property resources like ponds, forests and grazing land. These common resources enabled poor people to survive in the villages although they owned little or no land. Now, these resources have been turned into private property, or they are exhausted. (Ponds may run dry no longer provide enough fish; forests may have been cut down and have vanished...). If people no longer have access to these resources, but on the other hand have to buy many things in the market that they used to get free (like fuel, fodder or supplementary food items). Then their hardship increases. This hardship is worsened by the fact that opportunities for cash income are limited in the villages.

Urbanisation is not just impacting the number of people migration to urban areas, but also impacting:

1. Increased interaction of urban people
2. Increased resources for rural people left behind
3. Decline in socio- economic significances of agrarian way of life
4. Increased resources of urban people

Options :

- 485584138209. 1
- 485584138210. 2
- 485584138211. 3
- 485584138212. 4

Question Number : 449 Question Id : 48558434554 Question Type : MCQ Option Shuffling : No Is Question Mandatory : No Calculator : None Response Time : N.A Think Time : N.A Minimum Instruction Time : 0

Correct Marks : 5 Wrong Marks : 1

Question Key Details :

Key	Value
Comprehension	Comp2

Read the following passage and answer question based on the concept.

Considered from an, urban point of view. The rapid growth in urbanization shows that the town or city has been acting as a magnet for the rural population. Those who cannot find work (or sufficient work) in the rural areas go to the city in search of work. This flow of rural-to-urban migration has also been accelerated by the continuous decline of common property resources like ponds, forests and grazing land. These common resources enabled poor people to survive in the villages although they owned little or no land. Now, these resources have been turned into private property, or they are exhausted. (Ponds may run dry no longer provide enough fish; forests may have been cut down and have vanished...). If people no longer have access to these resources, but on the other hand have to buy many things in the market that they used to get free (like fuel, fodder or supplementary food items). Then their hardship increases. This hardship is worsened by the fact that opportunities for cash income are limited in the villages.

Decline in common property resources like ponds, forests has led to acceleration of:

1. Rural and rural
2. Urban and rural
3. Rural and urban
4. Urban to urban

Options :

485584138213. 1
485584138214. 2
485584138215. 3
485584138216. 4

Question Number : 450 Question Id : 48558434555 Question Type : MCQ Option Shuffling : No Is Question Mandatory : No Calculator : None Response Time : N.A Think Time : N.A Minimum Instruction Time : 0

Correct Marks : 5 Wrong Marks : 1

Question Key Details :

Key	Value
Comprehension	Comp2

Read the following passage and answer question based on the concept.

Considered from an, urban point of view. The rapid growth in urbanization shows that the town or city has been acting as a magnet for the rural population. Those who cannot find work (or sufficient work) in the rural areas go to the city in search of work. This flow of rural-to-urban migration has also been accelerated by the continuous decline of common property resources like ponds, forests and grazing land. These common resources enabled poor people to survive in the villages although they owned little or no land. Now, these resources have been turned into private property, or they are exhausted. (Ponds may run dry no longer provide enough fish; forests may have been cut down and have vanished...). If people no longer have access to these resources, but on the other hand have to buy many things in the market that they used to get free (like fuel, fodder or supplementary food items). Then their hardship increases. This hardship is worsened by the fact that opportunities for cash income are limited in the villages.

The emergence of machine production, based on the use of inanimate power resources like steem or electricity is known as:

1. Globalisation
2. Modernisation
3. Industrilisation
4. Glocalisation

Options :

485584138217. 1
485584138218. 2
485584138219. 3
485584138220. 4

General Test

Group Number : 15
Group Id : 485584782
Group Maximum Duration : 60
Group Minimum Duration : 60
Show Attended Group? : No
Edit Attended Group? : No
Break time : 0
Group Marks : 250
Is this Group for Examiner? : No
Examiner permission : Cant View
Show Progress Bar? : No

General Test

Section Id : 485584900
Section Number : 1
Section type : Online
Mandatory or Optional : Mandatory
Number of Questions : 60
Number of Questions to be attempted : 50
Section Marks : 250
Enable Mark as Answered Mark for Review and Clear Response : Yes
Maximum Instruction Time : 0
Sub-Section Number : 1
Sub-Section Id : 4855842555
Question Shuffling Allowed : Yes
Is Section Default? : null

Question Number : 451 Question Id : 48558433996 Question Type : MCQ Option Shuffling : No Is Question Mandatory : No Calculator : None Response Time : N.A Think Time : N.A Minimum Instruction Time : 0 Correct Marks : 5 Wrong Marks : 1

Question Key Details :

Key	Value
Comprehension	MCQ

In how many ways can a committee of 7 members be selected from 6 men and 5 women consisting of 4 men and 3 women?

1. 25
2. 147
3. 150
4. 600

Options :

485584135981. 1
485584135982. 2
485584135983. 3
485584135984. 4

Question Number : 452 Question Id : 48558433997 Question Type : MCQ Option Shuffling : No Is Question Mandatory : No Calculator : None Response Time : N.A Think Time : N.A Minimum Instruction Time : 0 Correct Marks : 5 Wrong Marks : 1

Question Key Details :

Key	Value
Comprehension	MCQ

The simple interest of Rs 6500 for $1\frac{1}{2}$ years at 10% is

- 1. 945
- 2. 950
- 3. 960
- 4. 975

Options :

- 485584135985. 1
- 485584135986. 2
- 485584135987. 3
- 485584135988. 4

Question Number : 453 Question Id : 48558433998 Question Type : MCQ Option Shuffling : No Is Question Mandatory : No Calculator : None Response Time : N.A Think Time : N.A Minimum Instruction Time : 0 Correct Marks : 5 Wrong Marks : 1

Question Key Details :

Key	Value
Comprehension	MCQ

Two friends A and B invest in a buissness in partnership. B borrows 20% of A's salary, combines it with 60% of his salary and invest with A, who puts all of his remaining salary. One year later the ratio of profit of A and B is 5:3 respectively and B returns Rs.21000 to A which he borrowed from him. What is the difference between salary of A and B?

- 1. Rs. 56000
- 2. Rs. 32000
- 3. Rs. 60000
- 4. Rs. 28000

Options :

- 485584135989. 1
- 485584135990. 2
- 485584135991. 3
- 485584135992. 4

Question Number : 454 Question Id : 48558433999 Question Type : MCQ Option Shuffling : No Is Question Mandatory : No Calculator : None Response Time : N.A Think Time : N.A Minimum Instruction Time : 0 Correct Marks : 5 Wrong Marks : 1

Question Key Details :

Key	Value
Comprehension	MCQ

The perimeter of one face of a cube is 24cm. its volume must be:

1. 216 cm^3
2. 1200 cm^3
3. 576 cm^3
4. 13824 cm^3

Options :

485584135993. 1
485584135994. 2
485584135995. 3
485584135996. 4

Question Number : 455 Question Id : 48558434000 Question Type : MCQ Option Shuffling : No Is Question Mandatory : No Calculator : None Response Time : N.A Think Time : N.A Minimum Instruction Time : 0

Correct Marks : 5 Wrong Marks : 1

Question Key Details :

Key	Value
Comprehension	MCQ

What is empirical relationship between mean, median and mode?

- A. $\text{Mean} - \text{Mode} = 3(\text{Mean} - \text{Median})$
- B. $\text{Mode} = \text{Mean} - \text{Median}$
- C. $\text{Mode} = 3 \text{ Median} - 2 \text{ Mean}$
- D. $\text{Median} - \text{Mode} = 3 (\text{Mean} - \text{Median})$
- E. $\text{Mode} = 2 \text{ Mean} + 3 \text{ Median}$

Choose the correct answer from the options given below_

1. C only
2. Both A and C only
3. Both A and B only
4. Both D and E only

Options :

485584135997. 1
485584135998. 2
485584135999. 3
485584136000. 4

Question Number : 456 Question Id : 48558434001 Question Type : MCQ Option Shuffling : No Is Question Mandatory : No Calculator : None Response Time : N.A Think Time : N.A Minimum Instruction Time : 0

Correct Marks : 5 Wrong Marks : 1

Question Key Details :

Key	Value
Comprehension	MCQ

A person walks from his house to his office at a speed of x_1 km/hr and returns by the same route at a speed of x_2 km/hr. What is his average speed?

1. $\frac{x_1 + x_2}{2}$

2. $\frac{x_1 + x_2}{2x_1x_2}$

3. $\frac{2x_1x_2}{x_1 + x_2}$

4. $\frac{x_1 + x_2}{x_1x_2}$

Options :

- 485584136001. 1
- 485584136002. 2
- 485584136003. 3
- 485584136004. 4

Question Number : 457 Question Id : 48558434002 Question Type : MCQ Option Shuffling : No Is Question Mandatory : No Calculator : None Response Time : N.A Think Time : N.A Minimum Instruction Time : 0

Correct Marks : 5 Wrong Marks : 1

Question Key Details :

Key	Value
Comprehension	MCQ

A thief is spotted by a policeman from a distance of 100m. when the policeman starts the chase, the thief also starts running. If the speed of the thief be 8 km/hr and that of the policeman 10 km/hr, how far the thief will have run before he is overtaken ?

1. 100 m

2. 200 m

3. 400 m

4. 500 m

Options :

- 485584136005. 1
- 485584136006. 2
- 485584136007. 3
- 485584136008. 4

Question Number : 458 Question Id : 48558434003 Question Type : MCQ Option Shuffling : No Is Question Mandatory : No Calculator : None Response Time : N.A Think Time : N.A Minimum Instruction Time : 0

Correct Marks : 5 Wrong Marks : 1

Question Key Details :

Key	Value
Comprehension	MCQ

The perimeter of a square and a regular hexagon are equal. The ratio of the area of the hexagon to the area of the square is:

1. $2\sqrt{3} : 1$

2. $2 : \sqrt{3}$

3. $3\sqrt{3} : 2$

4. $\sqrt{2} : 3$

Options :

485584136009. 1

485584136010. 2

485584136011. 3

485584136012. 4

Question Number : 459 Question Id : 48558434004 Question Type : MCQ Option Shuffling : No Is Question Mandatory : No Calculator : None Response Time : N.A Think Time : N.A Minimum Instruction Time : 0

Correct Marks : 5 Wrong Marks : 1

Question Key Details :

Key	Value
Comprehension	MCQ

The radius of the wheel of a vehicle is 35cm. The wheel makes 10 revolutions in 6 seconds. The speed of the vehicle is:

1. 70 km/hr

2. 13.2 km/hr

3. 17.5 km/hr

4. 20 km/hr

Options :

485584136013. 1

485584136014. 2

485584136015. 3

485584136016. 4

Question Number : 460 Question Id : 48558434005 Question Type : MCQ Option Shuffling : No Is Question Mandatory : No Calculator : None Response Time : N.A Think Time : N.A Minimum Instruction Time : 0

Correct Marks : 5 Wrong Marks : 1

Question Key Details :

Key	Value
Comprehension	MCQ

A sum of money triples it self in 3 years at compound interest. In how many years will it becomes 9 times

1. 9 years
2. 6 years
3. 12 years
4. 5 years

Options :

485584136017. 1
485584136018. 2
485584136019. 3
485584136020. 4

Question Number : 461 Question Id : 48558434006 Question Type : MCQ Option Shuffling : No Is Question Mandatory : No Calculator : None Response Time : N.A Think Time : N.A Minimum Instruction Time : 0

Correct Marks : 5 Wrong Marks : 1

Question Key Details :

Key	Value
Comprehension	MCQ

Aman got 30% of the maximum marks in an examination and failed by 15% marks. However, Anil who took the same examination got 40% of the total marks and got 10 marks more than the passing marks. What were the passing marks in the examination?

1. 85
2. 90
3. 95
4. 100

Options :

485584136021. 1
485584136022. 2
485584136023. 3
485584136024. 4

Question Number : 462 Question Id : 48558434007 Question Type : MCQ Option Shuffling : No Is Question Mandatory : No Calculator : None Response Time : N.A Think Time : N.A Minimum Instruction Time : 0

Correct Marks : 5 Wrong Marks : 1

Question Key Details :

Key	Value
Comprehension	MCQ

Akriti buys a smartphone for ₹12,500. If she wants to profit of 30%, how much should she charge for the smartphone?

1. 16000
2. 14375
3. 16250
4. 15400

Options :

485584136025. 1
485584136026. 2
485584136027. 3
485584136028. 4

Question Number : 463 Question Id : 48558434008 Question Type : MCQ Option Shuffling : No Is Question Mandatory : No Calculator : None Response Time : N.A Think Time : N.A Minimum Instruction Time : 0

Correct Marks : 5 Wrong Marks : 1

Question Key Details :

Key	Value
Comprehension	MCQ

₹4200 are divided among 'P', 'Q', 'R' and 'S' in such a way that the shares of 'P' and 'Q', 'Q' and 'R' as well 'R' and 'S' are in the ratios of 2:3, 4:5 and 6:7 resp. ectively the share of 'P' is:

1. ₹ 600
2. ₹ 640
3. ₹ 1280
4. ₹ 1480

Options :

485584136029. 1
485584136030. 2
485584136031. 3
485584136032. 4

Question Number : 464 Question Id : 48558434009 Question Type : MCQ Option Shuffling : No Is Question Mandatory : No Calculator : None Response Time : N.A Think Time : N.A Minimum Instruction Time : 0

Correct Marks : 5 Wrong Marks : 1

Question Key Details :

Key	Value
Comprehension	MCQ

Work done by A in one day is half of the work done by B in one day. Work done by B is half of the work done by C in one day. If C alone can do the work in 7 days, then in how many days can A, B and C together complete the work?

1. 4
2. 14
3. 21
4. 28

Options :

485584136033. 1
485584136034. 2
485584136035. 3
485584136036. 4

Question Number : 465 Question Id : 48558434010 Question Type : MCQ Option Shuffling : No Is Question Mandatory : No Calculator : None Response Time : N.A Think Time : N.A Minimum Instruction Time : 0

Correct Marks : 5 Wrong Marks : 1

Question Key Details :

Key	Value
Comprehension	MCQ

A pair of dice is thrown and sum of the numbers on two tosses is observed. Which of the statements are correct

- A. Probability of getting sum as 11 is $\frac{1}{18}$
- B. Probability of getting sum as 5 is $\frac{1}{12}$
- C. Probability of getting sum as 7 is $\frac{1}{6}$
- D. Probability of getting sum as 6 is $\frac{1}{9}$

Choose the correct answer from the options given below:

1. A and C Only
2. A and B Only
3. A, C, D Only
4. A and C Only

Options :

485584136037. 1
485584136038. 2
485584136039. 3
485584136040. 4

Question Number : 466 Question Id : 48558434011 Question Type : MCQ Option Shuffling : No Is Question Mandatory : No Calculator : None Response Time : N.A Think Time : N.A Minimum Instruction Time : 0

Correct Marks : 5 Wrong Marks : 1

Question Key Details :

Key	Value
Comprehension	MCQ

The value of the sum of 10 term of the series

$$S_{10} = \frac{1}{2^2 - 1} + \frac{1}{4^2 - 1} + \frac{1}{6^2 - 1} + \dots \text{ is}$$

1. $\frac{11}{21}$

2. $\frac{9}{10}$

3. $\frac{21}{10}$

4. $\frac{10}{21}$

Options :

485584136041. 1

485584136042. 2

485584136043. 3

485584136044. 4

Question Number : 467 Question Id : 48558434012 Question Type : MCQ Option Shuffling : No Is Question Mandatory : No Calculator : None Response Time : N.A Think Time : N.A Minimum Instruction Time : 0

Correct Marks : 5 Wrong Marks : 1

Question Key Details :

Key	Value
Comprehension	MCQ

Diameter of sphere is 28 cm Find out its surface area?

1. 2464 cm^2

2. 11498 cm^2

3. 2490 cm^2

4. 2260 cm^2

Options :

485584136045. 1

485584136046. 2

485584136047. 3

485584136048. 4

Question Number : 468 Question Id : 48558434013 Question Type : MCQ Option Shuffling : No Is Question Mandatory : No Calculator : None Response Time : N.A Think Time : N.A Minimum Instruction Time : 0

Correct Marks : 5 Wrong Marks : 1

Question Key Details :

Key	Value
Comprehension	MCQ

Which two numbers are both square and cube numbers?

1. 1 and 8
2. 8 and 27
3. 27 and 64
4. 1 and 64

Options :

- 485584136049. 1
- 485584136050. 2
- 485584136051. 3
- 485584136052. 4

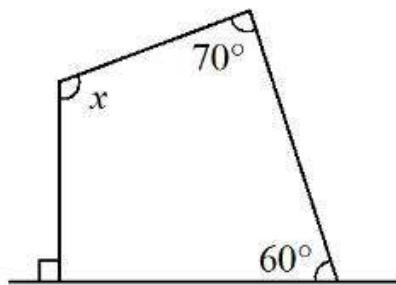
Question Number : 469 Question Id : 48558434014 Question Type : MCQ Option Shuffling : No Is Question Mandatory : No Calculator : None Response Time : N.A Think Time : N.A Minimum Instruction Time : 0

Correct Marks : 5 Wrong Marks : 1

Question Key Details :

Key	Value
Comprehension	MCQ

In the given figure the value of angle 'x' is _____



1. 130°
2. 120°
3. 140°
4. 110°

Options :

- 485584136053. 1
- 485584136054. 2
- 485584136055. 3

485584136056. 4

Question Number : 470 Question Id : 48558434015 Question Type : MCQ Option Shuffling : No Is Question Mandatory : No Calculator : None Response Time : N.A Think Time : N.A Minimum Instruction Time : 0

Correct Marks : 5 Wrong Marks : 1

Question Key Details :

Key	Value
Comprehension	MCQ

How many words with or without meaning, can be formed by using all the letters of the word "DELHI", using each letter exactly once?

1. 12

2. 50

3. 60

4. 10

Options :

485584136057. 1

485584136058. 2

485584136059. 3

485584136060. 4

Question Number : 471 Question Id : 48558434016 Question Type : MCQ Option Shuffling : No Is Question Mandatory : No Calculator : None Response Time : N.A Think Time : N.A Minimum Instruction Time : 0

Correct Marks : 5 Wrong Marks : 1

Question Key Details :

Key	Value
Comprehension	MCQ

If UPKAR is coded as UOQJLAQS, then the code for HONEY will be:

1. HIOMOXZA

2. GIOMEIOXY

3. GIOMOEXZ

4. HIOMOEXZ

Options :

485584136061. 1

485584136062. 2

485584136063. 3

485584136064. 4

Question Number : 472 Question Id : 48558434017 Question Type : MCQ Option Shuffling : No Is Question Mandatory : No Calculator : None Response Time : N.A Think Time : N.A Minimum Instruction Time : 0

Correct Marks : 5 Wrong Marks : 1

Question Key Details :

Key	Value
-----	-------

STATEMENT: Covid-19 is a pandemic issue now.

ASSUMPTIONS:

- I. Government should work towards complete vaccination of the population.
- II. Covid-19 upcoming variants are not fatal and should be treated as normal flu.
 1. Only Assumption I is implicit
 2. Only Assumption II is implicit
 3. neither Assumption I nor Assumption II is implicit
 4. Both Assumption I and Assumption II are implicit

Options :

485584136065. 1
 485584136066. 2
 485584136067. 3
 485584136068. 4

Question Number : 473 Question Id : 48558434018 Question Type : MCQ Option Shuffling : No Is Question Mandatory : No Calculator : None Response Time : N.A Think Time : N.A Minimum Instruction Time : 0

Correct Marks : 5 Wrong Marks : 1

Question Key Details :

Key	Value
Comprehension	MCQ

Mark the correct option based on the statement and conclusion that follows

Statements

- A. All states having Rain Water Harvesting face no water problem.
- B. One of the states has still not applied Rain Water Harvesting policy

Conclusions:

- I. It may be facing water problem
- II. Rain Water Harvesting solve water problem.
 1. Only conclusion I follows
 2. Only conclusion II follows
 3. Both conclusion I and II follows
 4. Neither conclusion I nor II follows

Options :

485584136069. 1

485584136070. 2
485584136071. 3
485584136072. 4

Question Number : 474 Question Id : 48558434019 Question Type : MCQ Option Shuffling : No Is Question Mandatory : No Calculator : None Response Time : N.A Think Time : N.A Minimum Instruction Time : 0

Correct Marks : 5 Wrong Marks : 1

Question Key Details :

Key	Value
Comprehension	MCQ

Identify the next number from the following series 36,40, 48, 60, 76 ?

1. 94
2. 98
3. 92
4. 96

Options :

485584136073. 1
485584136074. 2
485584136075. 3
485584136076. 4

Question Number : 475 Question Id : 48558434020 Question Type : MCQ Option Shuffling : No Is Question Mandatory : No Calculator : None Response Time : N.A Think Time : N.A Minimum Instruction Time : 0

Correct Marks : 5 Wrong Marks : 1

Question Key Details :

Key	Value
Comprehension	MCQ

What will be the measurement of the angle made by the hands at 18 min past 5?

1. 52°
2. 51°
3. 50°
4. 49°

Options :

485584136077. 1
485584136078. 2
485584136079. 3
485584136080. 4

Question Number : 476 Question Id : 48558434021 Question Type : MCQ Option Shuffling : No Is Question Mandatory : No Calculator : None Response Time : N.A Think Time : N.A Minimum Instruction Time : 0

Correct Marks : 5 Wrong Marks : 1

Question Key Details :

Key	Value
Comprehension	MCQ

Hear is to Deaf as Speak is to

1. Quite
2. Silent
3. Mumb or Mum
4. Dumb

Options :

485584136081. 1
485584136082. 2
485584136083. 3
485584136084. 4

Question Number : 477 Question Id : 48558434022 Question Type : MCQ Option Shuffling : No Is Question Mandatory : No Calculator : None Response Time : N.A Think Time : N.A Minimum Instruction Time : 0

Correct Marks : 5 Wrong Marks : 1

Question Key Details :

Key	Value
Comprehension	MCQ

Given below are two statements: one is labelled as Assertion A and the other is labelled as Reason R.

Assertion A : The sun rises 2 hours later in Gujrat as compared to Arunachal Pradesh, but watches shows the same time.

Reason R : The longitudinal gap between Arunachal Pradesh and Gujrat is about 30 degrees but at the same time India has adopted Indian Standard time which is at 82.5° West.

In the light of the above statements, choose the most appropriate answer from the options given below:

1. Both A and R are correct and R is the correct explanation of A
2. Both A and R are correct but R is NOT the correct explanation of A
3. A is correct but R is not correct
4. A is not correct but R is correct

Options :

485584136085. 1
485584136086. 2
485584136087. 3
485584136088. 4

Question Number : 478 Question Id : 48558434023 Question Type : MCQ Option Shuffling : No Is Question Mandatory : No Calculator : None Response Time : N.A Think Time : N.A Minimum Instruction Time : 0

Correct Marks : 5 Wrong Marks : 1

Question Key Details :

Key	Value
Comprehension	MCQ

K is more beautiful than B. B is not as beautiful as Y. J is not beautiful as B or Y. The least beautiful among all is:

1. B
2. Y
3. J
4. K

Options :

- 485584136089. 1
- 485584136090. 2
- 485584136091. 3
- 485584136092. 4

Question Number : 479 Question Id : 48558434024 Question Type : MCQ Option Shuffling : No Is Question Mandatory : No Calculator : None Response Time : N.A Think Time : N.A Minimum Instruction Time : 0

Correct Marks : 5 Wrong Marks : 1

Question Key Details :

Key	Value
Comprehension	MCQ

I introduced a lady "she is the mother of the only daughter of my son's father in law. how is she related to me:

- A. She is my sister
- B. She is the mother in law of my son
- C. She is my son's aunt
- D. She is the wife of my son's father in law
- E. She is my mother

Choose the correct answer from the options given below:

1. A, C, D Only
2. B, C, D Only
3. A, D, E Only
4. B, D Only

Options :

- 485584136093. 1
- 485584136094. 2
- 485584136095. 3
- 485584136096. 4

Question Number : 480 Question Id : 48558434025 Question Type : MCQ Option Shuffling : No Is Question Mandatory : No Calculator : None Response Time : N.A Think Time : N.A Minimum Instruction Time : 0

Correct Marks : 5 Wrong Marks : 1

Question Key Details :

Key	Value
Comprehension	MCQ

In the statements below study the question asked and decide which of the following statement is/are necessary to answer the question:

Find the present salary of Arvind:

- I. The salary increase every year by 15%
- II. The salary at the time of joining was ₹18,000
- III. He has joined the company exactly 10 years ago.

Which statement(s) are necessary

1. I and II only
2. II and III only
3. I and III only
4. all I, II, and III necessary

Options :

485584136097. 1
485584136098. 2
485584136099. 3
485584136100. 4

Question Number : 481 Question Id : 48558434026 Question Type : MCQ Option Shuffling : No Is Question Mandatory : No Calculator : None Response Time : N.A Think Time : N.A Minimum Instruction Time : 0

Correct Marks : 5 Wrong Marks : 1

Question Key Details :

Key	Value
Comprehension	MCQ

Which does not belong to the others

1. Key Board
2. Windows
3. Hard Drive
4. CPU

Options :

485584136101. 1
485584136102. 2
485584136103. 3
485584136104. 4

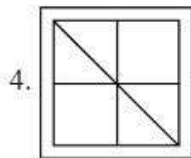
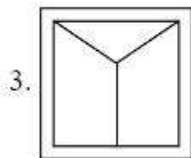
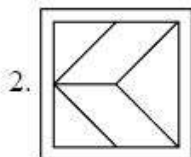
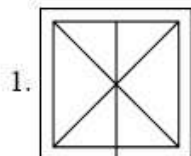
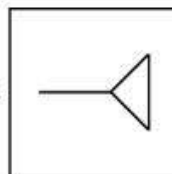
Question Number : 482 Question Id : 48558434027 Question Type : MCQ Option Shuffling : No Is Question Mandatory : No Calculator : None Response Time : N.A Think Time : N.A Minimum Instruction Time : 0

Correct Marks : 5 Wrong Marks : 1

Question Key Details :

Key	Value
Comprehension	MCQ

Find the answer figure in which question figure is imbrted



Options :

485584136105. 1

485584136106. 2

485584136107. 3

485584136108. 4

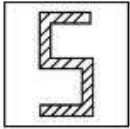
Question Number : 483 Question Id : 48558434028 Question Type : MCQ Option Shuffling : No Is Question Mandatory : No Calculator : None Response Time : N.A Think Time : N.A Minimum Instruction Time : 0

Correct Marks : 5 Wrong Marks : 1

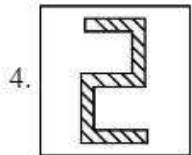
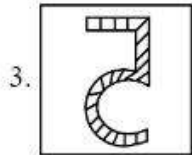
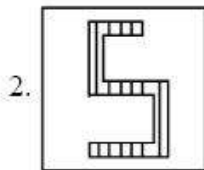
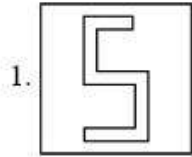
Question Key Details :

Key	Value
Comprehension	MCQ

Choose the correct mirror-image of fig(X) from amongst the four alternatives (1), (2), (3) and (4) given along with it.



(x)



Options :

485584136109. 1

485584136110. 2

485584136111. 3

485584136112. 4

Question Number : 484 Question Id : 48558434029 Question Type : MCQ Option Shuffling : No Is Question Mandatory : No Calculator : None Response Time : N.A Think Time : N.A Minimum Instruction Time : 0

Correct Marks : 5 Wrong Marks : 1

Question Key Details :

Key	Value
Comprehension	MCQ

The days before yesterday, it was monday. After 39 days, it will be

1. Wednesday

2. Sunday

3. Friday

4. Saturday

Options :

- 485584136113. 1
- 485584136114. 2
- 485584136115. 3
- 485584136116. 4

Question Number : 485 Question Id : 48558434030 Question Type : MCQ Option Shuffling : No Is Question Mandatory : No Calculator : None Response Time : N.A Think Time : N.A Minimum Instruction Time : 0

Correct Marks : 5 Wrong Marks : 1

Question Key Details :

Key	Value
Comprehension	MCQ

Find missing term: P2A, S6D, ?, Y54J

- 1. F9U
- 2. V18G
- 3. V24G
- 4. V12X

Options :

- 485584136117. 1
- 485584136118. 2
- 485584136119. 3
- 485584136120. 4

Question Number : 486 Question Id : 48558434031 Question Type : MCQ Option Shuffling : No Is Question Mandatory : No Calculator : None Response Time : N.A Think Time : N.A Minimum Instruction Time : 0

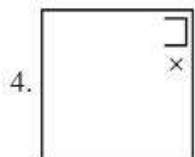
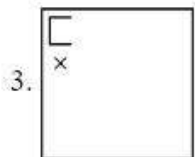
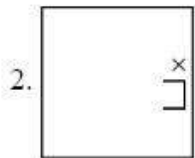
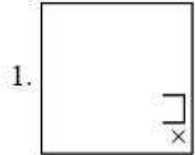
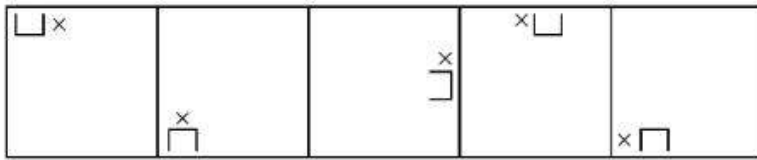
Correct Marks : 5 Wrong Marks : 1

Question Key Details :

Key	Value
Comprehension	MCQ

Choose the correct option to complete the series.

Problem figures



Options :

485584136121. 1

485584136122. 2

485584136123. 3

485584136124. 4

Question Number : 487 Question Id : 48558434032 Question Type : MCQ Option Shuffling : No Is Question Mandatory : No Calculator : None Response Time : N.A Think Time : N.A Minimum Instruction Time : 0

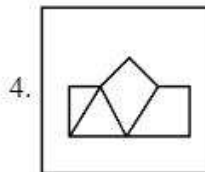
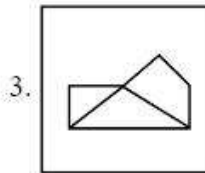
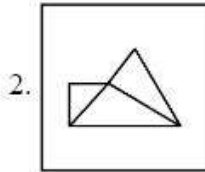
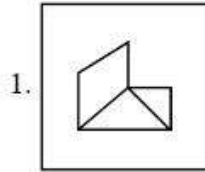
Correct Marks : 5 Wrong Marks : 1

Question Key Details :

Key	Value
Comprehension	MCQ



Choose the correct option by forming the pieces given in the above figure.



Options :

485584136125. 1

485584136126. 2

485584136127. 3

485584136128. 4

Question Number : 488 Question Id : 48558434033 Question Type : MCQ Option Shuffling : No Is Question Mandatory : No Calculator : None Response Time : N.A Think Time : N.A Minimum Instruction Time : 0

Correct Marks : 5 Wrong Marks : 1

Question Key Details :

Key	Value
Comprehension	MCQ

Following are the conditions for selection of Director in an Organisation. The candidate must

- I. Be a MBA in Marketing with 1st class securing a minimum of 65% marks
- II. Have an experience of working in related area at least two years after acquiring the desired qualification
- III. Have passed the written test with at least 60% marks.
- IV. Be not less than 40 year and not more than 50 year of age as 2.3.2020

Salman Khan is a MBA from IIM Lucknow, passed out in 2000 with 70% marks. He is working as a marketing head since July 2001. His date of birth is 25th Dec 1975. He has cleared the written test with 60% marks?

Indicate your decision by marking answers to each question as follows:

1. If the candidate is to be selected
2. If the candidate is not to be selected
3. If data is not adequate to take the decision
4. If the case is referred to the chairman

Options :

- 485584136129. 1
- 485584136130. 2
- 485584136131. 3
- 485584136132. 4

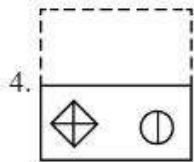
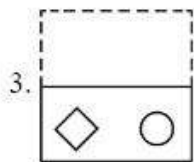
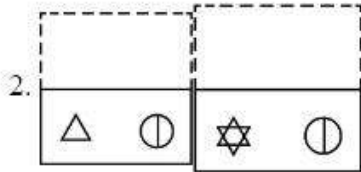
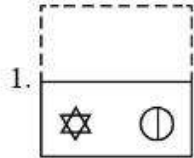
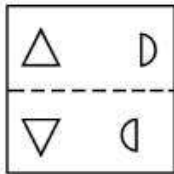
Question Number : 489 Question Id : 48558434034 Question Type : MCQ Option Shuffling : No Is Question Mandatory : No Calculator : None Response Time : N.A Think Time : N.A Minimum Instruction Time : 0

Correct Marks : 5 Wrong Marks : 1

Question Key Details :

Key	Value
Comprehension	MCQ

Find the figure obtained after folding the given figure along the dotted line.



Options :

- 485584136133. 1
- 485584136134. 2
- 485584136135. 3
- 485584136136. 4

Question Number : 490 Question Id : 48558434035 Question Type : MCQ Option Shuffling : No Is Question Mandatory : No Calculator : None Response Time : N.A Think Time : N.A Minimum Instruction Time : 0

Correct Marks : 5 Wrong Marks : 1

Question Key Details :

Key	Value
Comprehension	MCQ

If South-East becomes North and North-East becomes West and all the rest directions are changed in the same manner, what will the direction for the South-East?

- 1. West
- 2. North-West
- 3. North
- 4. East

Options :

485584136137. 1
485584136138. 2
485584136139. 3
485584136140. 4

Question Number : 491 Question Id : 48558434036 Question Type : MCQ Option Shuffling : No Is Question Mandatory : No Calculator : None Response Time : N.A Think Time : N.A Minimum Instruction Time : 0

Correct Marks : 5 Wrong Marks : 1

Question Key Details :

Key	Value
Comprehension	MCQ

Which among the following dances is not a Martial Dance?

1. Pika
2. Gatka
3. Kathaputli
4. Choliya

Options :

485584136141. 1
485584136142. 2
485584136143. 3
485584136144. 4

Question Number : 492 Question Id : 48558434037 Question Type : MCQ Option Shuffling : No Is Question Mandatory : No Calculator : None Response Time : N.A Think Time : N.A Minimum Instruction Time : 0

Correct Marks : 5 Wrong Marks : 1

Question Key Details :

Key	Value
Comprehension	MCQ

Harappan age is

1. 3,500 BC – 2,500 BC
2. 2,500 BC – 1,750 BC
3. 2,000 BC – 1,000 BC
4. 3,500 BC – 1,000 BC

Options :

485584136145. 1
485584136146. 2
485584136147. 3
485584136148. 4

Question Number : 493 Question Id : 48558434038 Question Type : MCQ Option Shuffling : No Is Question Mandatory : No Calculator : None Response Time : N.A Think Time : N.A Minimum Instruction Time : 0

Correct Marks : 5 Wrong Marks : 1

Question Key Details :

Key	Value
Comprehension	MCQ

Archaeological site 'Palvai' is situated in

1. Kerala
2. Andhra Pradesh
3. Karnataka
4. Tamil Nadu

Options :

485584136149. 1
485584136150. 2
485584136151. 3
485584136152. 4

Question Number : 494 Question Id : 48558434039 Question Type : MCQ Option Shuffling : No Is Question Mandatory : No Calculator : None Response Time : N.A Think Time : N.A Minimum Instruction Time : 0

Correct Marks : 5 Wrong Marks : 1

Question Key Details :

Key	Value
Comprehension	MCQ

There are 4 electric bulb of 50W (each) is used for 5 hour per day. Calculate the energy consumed in the month of January.

1. 31 Kwh
2. 31 Joulr
3. 3.6×10^6 J
4. $31 \times 3.6 \times 10^6$ J Kwh

Options :

485584136153. 1
485584136154. 2
485584136155. 3
485584136156. 4

Question Number : 495 Question Id : 48558434040 Question Type : MCQ Option Shuffling : No Is Question Mandatory : No Calculator : None Response Time : N.A Think Time : N.A Minimum Instruction Time : 0

Correct Marks : 5 Wrong Marks : 1

Question Key Details :

Key	Value
Comprehension	MCQ

Which of the following is an example of an Emulsion?

1. Fog
2. Clouds
3. Mist
4. Milk

Options :

485584136157. 1
485584136158. 2
485584136159. 3
485584136160. 4

Question Number : 496 Question Id : 48558434041 Question Type : MCQ Option Shuffling : No Is Question Mandatory : No Calculator : None Response Time : N.A Think Time : N.A Minimum Instruction Time : 0

Correct Marks : 5 Wrong Marks : 1

Question Key Details :

Key	Value
Comprehension	MCQ

Which statements are true about Phylum Arthropoda?

- A. Body is divided into one part.
- B. Body is divided into two parts.
- C. Body is divided into three parts.
- D. Joinedleg
- E. Circulatory system is of close type.

Choose the correct answer from the options given below:

1. A and B only
2. B and C only
3. D and E only
4. C and D only

Options :

485584136161. 1
485584136162. 2
485584136163. 3
485584136164. 4

Question Number : 497 Question Id : 48558434042 Question Type : MCQ Option Shuffling : No Is Question Mandatory : No Calculator : None Response Time : N.A Think Time : N.A Minimum Instruction Time : 0

Correct Marks : 5 Wrong Marks : 1

Question Key Details :

Key	Value
Comprehension	MCQ

Who was invented Universal Serial Bus (USB)?

1. Ajay Sood
2. Ajay Bhatt
3. M.S. Swaminathan
4. Gagan B. Mohanthy

Options :

485584136165. 1
485584136166. 2
485584136167. 3
485584136168. 4

Question Number : 498 Question Id : 48558434043 Question Type : MCQ Option Shuffling : No Is Question Mandatory : No Calculator : None Response Time : N.A Think Time : N.A Minimum Instruction Time : 0

Correct Marks : 5 Wrong Marks : 1

Question Key Details :

Key	Value
Comprehension	MCQ

Where was Commonwealth Games 2022 held?

1. London
2. Canberra
3. Brimingham
4. Manchester

Options :

485584136169. 1
485584136170. 2
485584136171. 3
485584136172. 4

Question Number : 499 Question Id : 48558434044 Question Type : MCQ Option Shuffling : No Is Question Mandatory : No Calculator : None Response Time : N.A Think Time : N.A Minimum Instruction Time : 0

Correct Marks : 5 Wrong Marks : 1

Question Key Details :

Key	Value
Comprehension	MCQ

Which states women's U-18 team won the Khelo India Youth Games 2022?

1. Kerala
2. Punjab
3. Tamil Nadu
4. Haryana

Options :

485584136173. 1
485584136174. 2
485584136175. 3
485584136176. 4

Question Number : 500 Question Id : 48558434045 Question Type : MCQ Option Shuffling : No Is Question Mandatory : No Calculator : None Response Time : N.A Think Time : N.A Minimum Instruction Time : 0

Correct Marks : 5 Wrong Marks : 1

Question Key Details :

Key	Value
Comprehension	MCQ

India has been building the sea-port of Chabahar port for which of these West Asian country:

1. Iraq
2. Iran
3. UAE
4. Oman

Options :

485584136177. 1
485584136178. 2
485584136179. 3
485584136180. 4

Question Number : 501 Question Id : 48558434046 Question Type : MCQ Option Shuffling : No Is Question Mandatory : No Calculator : None Response Time : N.A Think Time : N.A Minimum Instruction Time : 0

Correct Marks : 5 Wrong Marks : 1

Question Key Details :

Key	Value
Comprehension	MCQ

Recently, whom of Indian origin has become the new prime minister of Britain?

1. Dilip Boland
2. Rajesh David
3. Rishi Sunak
4. Aman Panda

Options :

485584136181. 1
485584136182. 2
485584136183. 3
485584136184. 4

Question Number : 502 Question Id : 48558434047 Question Type : MCQ Option Shuffling : No Is Question Mandatory : No Calculator : None Response Time : N.A Think Time : N.A Minimum Instruction Time : 0

Correct Marks : 5 Wrong Marks : 1

Question Key Details :

Key	Value
Comprehension	MCQ

Which team has won the 2022 Women's Pan American Cup Field Hockey Tournament?

1. Netherland
2. Argentina
3. South Korea
4. Malaysia

Options :

485584136185. 1
485584136186. 2
485584136187. 3
485584136188. 4

Question Number : 503 Question Id : 48558434048 Question Type : MCQ Option Shuffling : No Is Question Mandatory : No Calculator : None Response Time : N.A Think Time : N.A Minimum Instruction Time : 0

Correct Marks : 5 Wrong Marks : 1

Question Key Details :

Key	Value
Comprehension	MCQ

Name the longest river of the world?

1. Nile
2. Ganga
3. Amazon
4. Yangtze river

Options :

485584136189. 1
485584136190. 2
485584136191. 3
485584136192. 4

Question Number : 504 Question Id : 48558434049 Question Type : MCQ Option Shuffling : No Is Question Mandatory : No Calculator : None Response Time : N.A Think Time : N.A Minimum Instruction Time : 0

Correct Marks : 5 Wrong Marks : 1

Question Key Details :

Key	Value
Comprehension	MCQ

Which is the highest Peak of the Pennisulan Plateau of India?

1. Dodda betha
2. Mullayanagiri
3. Agasthyamala
4. Anamudi

Options :

485584136193. 1
485584136194. 2
485584136195. 3
485584136196. 4

Question Number : 505 Question Id : 48558434050 Question Type : MCQ Option Shuffling : No Is Question Mandatory : No Calculator : None Response Time : N.A Think Time : N.A Minimum Instruction Time : 0

Correct Marks : 5 Wrong Marks : 1

Question Key Details :

Key	Value
Comprehension	MCQ

On which date is the shortest day of the year in the northern Hemisphere?

1. 22 June
2. 21 June
3. 22 December
4. 26 December

Options :

485584136197. 1
485584136198. 2
485584136199. 3
485584136200. 4

Question Number : 506 Question Id : 48558434051 Question Type : MCQ Option Shuffling : No Is Question Mandatory : No Calculator : None Response Time : N.A Think Time : N.A Minimum Instruction Time : 0

Correct Marks : 5 Wrong Marks : 1

Question Key Details :

Key	Value
Comprehension	MCQ

Criminal Identification Bill has been passed by President in April 2022. The Bill (or Act)

- A. Empowers police to obtain physical and biological samples of convicts and those accused of crimes.
- B. Empowers police to order measurement of photographs of a person to aid the investigation of offence.
- C. Explains the data to be collected.
- D. Provides the data to be stored in a Central database.

Choose the correct answer from the options given below:

1. C, A and B only
2. A, C and D only
3. B, A and D only
4. A, B and D only

Options :

485584136201. 1
485584136202. 2
485584136203. 3
485584136204. 4

Question Number : 507 Question Id : 48558434052 Question Type : MCQ Option Shuffling : No Is Question Mandatory : No Calculator : None Response Time : N.A Think Time : N.A Minimum Instruction Time : 0

Correct Marks : 5 Wrong Marks : 1

Question Key Details :

Key	Value
Comprehension	MCQ

What growth rate The Economic Survey 2021-22 had projected for the financial year ending March 2023?

1. 8.5-9%
2. 8-8.5%
3. 10-11%
4. 7-7.5%

Options :

485584136205. 1
485584136206. 2
485584136207. 3
485584136208. 4

Question Number : 508 Question Id : 48558434053 Question Type : MCQ Option Shuffling : No Is Question Mandatory : No Calculator : None Response Time : N.A Think Time : N.A Minimum Instruction Time : 0

Correct Marks : 5 Wrong Marks : 1

Question Key Details :

Key	Value
Comprehension	MCQ

Which English writer has been awarded the Tata Literature Lifetime Achievement Award?

1. Arundhati Roy
2. Vikram Seth
3. Ruskin Bond
4. Prof. Shorad Pagadey

Options :

485584136209. 1
485584136210. 2
485584136211. 3
485584136212. 4

Question Number : 509 Question Id : 48558434054 Question Type : MCQ Option Shuffling : No Is Question Mandatory : No Calculator : None Response Time : N.A Think Time : N.A Minimum Instruction Time : 0

Correct Marks : 5 Wrong Marks : 1

Question Key Details :

Key	Value
Comprehension	MCQ

Match List I with List II

LIST I Satellite		LIST II Launch Date	
A.	Aryabhata	I.	2008
B.	Mangalyaan	II.	1975
C.	Chandrayaan - I	III.	2017
D.	IRNAA-1H Mission	IV.	2013

Choose the correct answer from the options given below:

1. A-II, B-IV, C-I, D-III
2. A-I, B-II, C-III, D-IV
3. A-IV, B-III, C-II, D-I
4. A-IV, B-II, C-III, D-I

Options :

485584136213. 1
485584136214. 2
485584136215. 3
485584136216. 4

Question Number : 510 Question Id : 48558434055 Question Type : MCQ Option Shuffling : No Is Question Mandatory : No Calculator : None Response Time : N.A Think Time : N.A Minimum Instruction Time : 0

Correct Marks : 5 Wrong Marks : 1

Question Key Details :

Key	Value
Comprehension	MCQ

Formal source of credit for an individual does not include:

1. Cooperatives
2. Banks
3. MUDRA Bank
4. RBI

Options :

485584136217. 1
485584136218. 2
485584136219. 3
485584136220. 4