

# National Testing Agency

**Question Paper Name :** 18S3  
**Subject Name :** 18Jun2023 Shift3 Subject Combination 1  
**Creation Date :** 2023-06-18 22:37:53  
**Duration :** 690  
**Total Marks :** 3050  
**Display Marks:** Yes

## English

**Group Number :** 1  
**Group Id :** 485584768  
**Group Maximum Duration :** 45  
**Group Minimum Duration :** 45  
**Show Attended Group? :** No  
**Edit Attended Group? :** No  
**Break time :** 0  
**Group Marks :** 200  
**Is this Group for Examiner? :** No  
**Examiner permission :** Cant View  
**Show Progress Bar? :** No

## English

**Section Id :** 485584886  
**Section Number :** 1  
**Section type :** Online  
**Mandatory or Optional :** Mandatory  
**Number of Questions :** 50  
**Number of Questions to be attempted :** 40  
**Section Marks :** 200  
**Enable Mark as Answered Mark for Review and Clear Response :** Yes  
**Maximum Instruction Time :** 0  
**Sub-Section Number :** 1  
**Sub-Section Id :** 4855842506  
**Question Shuffling Allowed :** No  
**Is Section Default? :** null

**Question Number : 1 Question Id : 48558433946 Question Type : MCQ Option Shuffling : No Is Question Mandatory : No Calculator : None Response Time : N.A Think Time : N.A Minimum Instruction Time : 0**

**Correct Marks : 5 Wrong Marks : 1**

**Question Key Details :**

| Key           | Value |
|---------------|-------|
| Comprehension | Comp1 |

Read the following literary passage. Answer Questions:-

**No Man is an Island**

No man is an island,  
Entire of itself,  
Every man is a piece of the continent,  
A part of the main,  
if a clod be washed away by the sea,  
Europe is the less.  
As well as if a promontory were,  
As well as if a manor of the friend's  
Or of thine own were:  
Any man's death diminishes me,  
Because I am involved in mankind,  
and therefore never send to know for whom the bell tolls;  
It tolls for thee.

What is the essential idea of the passage?

1. The passage signifies a connection between all of humankind.
2. The passage signifies that all aquatic animals are connected.
3. The poet is uninvolved in mankind.
4. The poet wants to live in an island.

**Options :**

- 485584135781. 1
- 485584135782. 2
- 485584135783. 3
- 485584135784. 4

**Question Number : 2 Question Id : 48558433947 Question Type : MCQ Option Shuffling : No Is Question Mandatory : No Calculator : None Response Time : N.A Think Time : N.A Minimum Instruction Time : 0**

**Correct Marks : 5 Wrong Marks : 1**

**Question Key Details :**

| Key           | Value |
|---------------|-------|
| Comprehension | Comp1 |

Read the following literary passage. Answer Questions:-

**No Man is an Island**

No man is an island,  
Entire of itself,  
Every man is a piece of the continent,  
A part of the main,  
if a clod be washed away by the sea,  
Europe is the less.  
As well as if a promontory were,  
As well as if a manor of the friend's  
Or of thine own were:  
Any man's death diminishes me,  
Because I am involved in mankind,  
and therefore never send to know for whom the bell tolls;  
It tolls for thee.

What is the meaning of the word 'clod'?

1. A ship
2. A child
3. Jellyfish
4. A lump of earth or clay

**Options :**

- 485584135785. 1
- 485584135786. 2
- 485584135787. 3
- 485584135788. 4

**Question Number : 3 Question Id : 48558433948 Question Type : MCQ Option Shuffling : No Is Question Mandatory : No Calculator : None Response Time : N.A Think Time : N.A Minimum Instruction Time : 0**

**Correct Marks : 5 Wrong Marks : 1**

**Question Key Details :**

| Key           | Value |
|---------------|-------|
| Comprehension | Comp1 |

Read the following literary passage. Answer Questions:-

**No Man is an Island**

No man is an island,  
Entire of itself,  
Every man is a piece of the continent,  
A part of the main,  
if a clod be washed away by the sea,  
Europe is the less.  
As well as if a promontory were,  
As well as if a manor of the friend's  
Or of thine own were:  
Any man's death diminishes me,  
Because I am involved in mankind,  
and therefore never send to know for whom the bell tolls;  
It tolls for thee.

What is the name of the poetic device when there is a repetition of words/phrases at the beginning of successive lines?

- 1. Metaphor
- 2. Simili
- 3. Anaphora
- 4. Hyperbole

**Options :**

- 485584135789. 1
- 485584135790. 2
- 485584135791. 3
- 485584135792. 4

**Question Number : 4 Question Id : 48558433949 Question Type : MCQ Option Shuffling : No Is Question Mandatory : No Calculator : None Response Time : N.A Think Time : N.A Minimum Instruction Time : 0**

**Correct Marks : 5 Wrong Marks : 1**

**Question Key Details :**

| Key           | Value |
|---------------|-------|
| Comprehension | Comp1 |



Read the following literary passage. Answer Questions:-

**No Man is an Island**

No man is an island,  
Entire of itself,  
Every man is a piece of the continent,  
A part of the main,  
if a clod be washed away by the sea,  
Europe is the less.  
As well as if a promontory were,  
As well as if a manor of the friend's  
Or of thine own were:  
Any man's death diminishes me,  
Because I am involved in mankind,  
and therefore never send to know for whom the bell tolls;  
It tolls for thee.

What does the clause "for whom the bell tolls" entail?

- 1. The arrival of a guest
- 2. The arrival of death
- 3. The Sunday church mass
- 4. Time to Pray

**Options :**

- 485584135793. 1
- 485584135794. 2
- 485584135795. 3
- 485584135796. 4

**Question Number : 5 Question Id : 48558433950 Question Type : MCQ Option Shuffling : No Is Question Mandatory : No Calculator : None Response Time : N.A Think Time : N.A Minimum Instruction Time : 0**

**Correct Marks : 5 Wrong Marks : 1**

**Question Key Details :**

| Key           | Value |
|---------------|-------|
| Comprehension | Comp1 |

Read the following literary passage. Answer Questions:-

### No Man is an Island

No man is an island,  
Entire of itself,  
Every man is a piece of the continent,  
A part of the main,  
if a clod be washed away by the sea,  
Europe is the less.  
As well as if a promontory were,  
As well as if a manor of the friend's  
Or of thine own were:  
Any man's death diminishes me,  
Because I am involved in mankind,  
and therefore never send to know for whom the bell tolls;  
It tolls for thee.

'No man is an Island' signifies that-

1. No man stands in isolation
2. All of humanity is connected
3. No man exists as a landmass
4. No island is inhabited by men

#### Options :

- 485584135797. 1
- 485584135798. 2
- 485584135799. 3
- 485584135800. 4

**Sub-Section Number :** 2  
**Sub-Section Id :** 4855842507  
**Question Shuffling Allowed :** No  
**Is Section Default? :** null

**Question Number : 6 Question Id : 48558433951 Question Type : MCQ Option Shuffling : No Is Question Mandatory : No Calculator : None Response Time : N.A Think Time : N.A Minimum Instruction Time : 0**

**Correct Marks : 5 Wrong Marks : 1**

#### Question Key Details :

| Key           | Value |
|---------------|-------|
| Comprehension | Comp2 |

Read the passage and answer the question:

This is an age-old tale. A mother and her daughter Satto, lived in a village. During that time, the forests were full of fruits and flowers. The women and girls of the village used to go and pluck these fruits and flowers. All of them used to pluck the sweet flowers of the *mahua* (*Bassia Latifolia*) tree, stored them at home and consumed them later.

One day, all of them plucked the sweet flowers and kept them in their rooms without drying them. Satto's mother was not at home. Satto dried the sweet flowers. As the flowers dried, they shrunk. Later on when Satto's mother came home, she found very little flowers and thought that either Satto had eaten the flowers or she had given them to the village girls. In her blind rage, she beat her daughter to death. The women and girls of the village told her that she killed her daughter for such a trivial issue. They asked her to soak the flowers in water. When she soaked the *mahuas*, they swelled up and the entire room was filled with the flowers. Satto's mother was full of remorse. She regretted the fact that she killed her daughter without thinking. She died because of grief.

She was reborn as the *pandak* bird. The *pandak* bird still sings this song-

'Daughter Satto, the *mahuas* were in proper quantity...'

According to the passage, What kind of tale is the translated story?

1. Fairy tale
2. Modern tale
3. Age-old tale
4. Disney tale

**Options :**

485584135801. 1

485584135802. 2

485584135803. 3

485584135804. 4

**Question Number : 7 Question Id : 48558433952 Question Type : MCQ Option Shuffling : No Is Question Mandatory :**

**No Calculator : None Response Time : N.A Think Time : N.A Minimum Instruction Time : 0**

**Correct Marks : 5 Wrong Marks : 1**

**Question Key Details :**

| Key           | Value |
|---------------|-------|
| Comprehension | Comp2 |

Read the passage and answer the question:

This is an age-old tale. A mother and her daughter Satto, lived in a village. During that time, the forests were full of fruits and flowers. The women and girls of the village used to go and pluck these fruits and flowers. All of them used to pluck the sweet flowers of the *mahua* (*Bassia Latifolia*) tree, stored them at home and consumed them later.

One day, all of them plucked the sweet flowers and kept them in their rooms without drying them. Satto's mother was not at home. Satto dried the sweet flowers. As the flowers dried, they shrunk. Later on when Satto's mother came home, she found very little flowers and thought that either Satto had eaten the flowers or she had given them to the village girls. In her blind rage, she beat her daughter to death. The women and girls of the village told her that she killed her daughter for such a trivial issue. They asked her to soak the flowers in water. When she soaked the *mahuas*, they swelled up and the entire room was filled with the flowers. Satto's mother was full of remorse. She regretted the fact that she killed her daughter without thinking. She died because of grief.

She was reborn as the *pandak* bird. The *pandak* bird still sings this song-

'Daughter Satto, the *mahuas* were in proper quantity...'

The antonym of the word 'remorse' is:

1. Regret
2. Rejoice
3. Repentance
4. Grief

**Options :**

- 485584135805. 1
- 485584135806. 2
- 485584135807. 3
- 485584135808. 4

**Question Number : 8 Question Id : 48558433953 Question Type : MCQ Option Shuffling : No Is Question Mandatory : No Calculator : None Response Time : N.A Think Time : N.A Minimum Instruction Time : 0**

**Correct Marks : 5 Wrong Marks : 1**

**Question Key Details :**

| Key           | Value |
|---------------|-------|
| Comprehension | Comp2 |

Read the passage and answer the question:

This is an age-old tale. A mother and her daughter Satto, lived in a village. During that time, the forests were full of fruits and flowers. The women and girls of the village used to go and pluck these fruits and flowers. All of them used to pluck the sweet flowers of the *mahua* (*Bassia Latifolia*) tree, stored them at home and consumed them later.

One day, all of them plucked the sweet flowers and kept them in their rooms without drying them. Satto's mother was not at home. Satto dried the sweet flowers. As the flowers dried, they shrunk. Later on when Satto's mother came home, she found very little flowers and thought that either Satto had eaten the flowers or she had given them to the village girls. In her blind rage, she beat her daughter to death. The women and girls of the village told her that she killed her daughter for such a trivial issue. They asked her to soak the flowers in water. When she soaked the *mahuas*, they swelled up and the entire room was filled with the flowers. Satto's mother was full of remorse. She regretted the fact that she killed her daughter without thinking. She died because of grief.

She was reborn as the *pandak* bird. The *pandak* bird still sings this song-

'Daughter Satto, the *mahuas* were in proper quantity...'

As per the given passage, what was the mother reborn as?

1. an animal
2. a man
3. a woman
4. a bird

**Options :**

- 485584135809. 1
- 485584135810. 2
- 485584135811. 3
- 485584135812. 4

**Question Number : 9 Question Id : 48558433954 Question Type : MCQ Option Shuffling : No Is Question Mandatory : No Calculator : None Response Time : N.A Think Time : N.A Minimum Instruction Time : 0**

**Correct Marks : 5 Wrong Marks : 1**

**Question Key Details :**

| Key           | Value |
|---------------|-------|
| Comprehension | Comp2 |

Read the passage and answer the question:

This is an age-old tale. A mother and her daughter Satto, lived in a village. During that time, the forests were full of fruits and flowers. The women and girls of the village used to go and pluck these fruits and flowers. All of them used to pluck the sweet flowers of the *mahua* (*Bassia Latifolia*) tree, stored them at home and consumed them later.

One day, all of them plucked the sweet flowers and kept them in their rooms without drying them. Satto's mother was not at home. Satto dried the sweet flowers. As the flowers dried, they shrunk. Later on when Satto's mother came home, she found very little flowers and thought that either Satto had eaten the flowers or she had given them to the village girls. In her blind rage, she beat her daughter to death. The women and girls of the village told her that she killed her daughter for such a trivial issue. They asked her to soak the flowers in water. When she soaked the *mahuas*, they swelled up and the entire room was filled with the flowers. Satto's mother was full of remorse. She regretted the fact that she killed her daughter without thinking. She died because of grief.

She was reborn as the *pandak* bird. The *pandak* bird still sings this song-

'Daughter Satto, the *mahuas* were in proper quantity...'

Why did the mother beat the daughter to death?

1. Because she went to pluck fruits and flowers without telling her.
2. Because Satto did not dry the flowers.
3. Because she thought Satto had eaten the flowers or given them to the village girls.
4. Because she was evil.

**Options :**

485584135813. 1

485584135814. 2

485584135815. 3

485584135816. 4

**Question Number : 10 Question Id : 48558433955 Question Type : MCQ Option Shuffling : No Is Question Mandatory : No Calculator : None Response Time : N.A Think Time : N.A Minimum Instruction Time : 0**

**Correct Marks : 5 Wrong Marks : 1**

**Question Key Details :**

| Key           | Value |
|---------------|-------|
| Comprehension | Comp2 |

Read the passage and answer the question:

This is an age-old tale. A mother and her daughter Satto, lived in a village. During that time, the forests were full of fruits and flowers. The women and girls of the village used to go and pluck these fruits and flowers. All of them used to pluck the sweet flowers of the *mahua* (*Bassia Latifolia*) tree, stored them at home and consumed them later.

One day, all of them plucked the sweet flowers and kept them in their rooms without drying them. Satto's mother was not at home. Satto dried the sweet flowers. As the flowers dried, they shrunk. Later on when Satto's mother came home, she found very little flowers and thought that either Satto had eaten the flowers or she had given them to the village girls. In her blind rage, she beat her daughter to death. The women and girls of the village told her that she killed her daughter for such a trivial issue. They asked her to soak the flowers in water. When she soaked the *mahuas*, they swelled up and the entire room was filled with the flowers. Satto's mother was full of remorse. She regretted the fact that she killed her daughter without thinking. She died because of grief.

She was reborn as the *pandak* bird. The *pandak* bird still sings this song-

'Daughter Satto, the *mahuas* were in proper quantity...'

What happened Satto's mother soaked the flowers in water?

1. The entire room was filled with flowers as they soaked up
2. Satto came back to life
3. The flowers dissolved in water
4. The entire room was full of water

**Options :**

485584135817. 1

485584135818. 2

485584135819. 3

485584135820. 4

**Sub-Section Number :**

3

**Sub-Section Id :**

4855842508

**Question Shuffling Allowed :**

No

**Is Section Default? :**

null

**Question Number : 11 Question Id : 48558433956 Question Type : MCQ Option Shuffling : No Is Question Mandatory : No Calculator : None Response Time : N.A Think Time : N.A Minimum Instruction Time : 0**

**Correct Marks : 5 Wrong Marks : 1**

**Question Key Details :**

| Key           | Value |
|---------------|-------|
| Comprehension | Comp3 |

Once I was an archaeologist's assistant. I wandered up and down the country probing, exploring, and digging, in search of antiquities, a most interesting occupation, although cynics sometimes called us "grave-diggers." I enjoyed the work immensely. I had a master who was a famous archaeologist called Doctor something or other. He was superb, timeless being, who lived a thousand years behind the times, and who wanted neither food nor roof nor riches if only he was allowed to gaze on undisturbed at an old coin or chip of a burial urn.

He had torn up the earth in almost all parts of India and had brought to light very valuable information concerning the history and outlook of people of remote centuries. His monographs on each of his excavations filled several shelves in all the important libraries. And then, as our good fortune would have it, he received an inspiration that Malgudi district was eminently diggable. I am not competent to explain how he got this idea, but there it was. Word was brought to me that the great man was staying in the dak bungalow and was in need of an assistant. Within an hour of hearing it I stood before the great man. He was sitting on the floor with the most crazy collection of articles in front of him pots and beads and useless coins and palm leaves, all of them rusty and decaying. he had a lens by his side, through which he looked at these articles and made notes.

What does the branch of archaeology study?

1. Study of Soil
2. Study of past by excavating ground
3. Study of medicine
4. Study of minerals

**Options :**

- 485584135821. 1
- 485584135822. 2
- 485584135823. 3
- 485584135824. 4

**Question Number : 12 Question Id : 48558433957 Question Type : MCQ Option Shuffling : No Is Question Mandatory : No Calculator : None Response Time : N.A Think Time : N.A Minimum Instruction Time : 0**

**Correct Marks : 5 Wrong Marks : 1**

**Question Key Details :**

| Key           | Value |
|---------------|-------|
| Comprehension | Comp3 |



Once I was an archaeologist's assistant. I wandered up and down the country probing, exploring, and digging, in search of antiquities, a most interesting occupation, although cynics sometimes called us "grave-diggers." I enjoyed the work immensely. I had a master who was a famous archaeologist called Doctor something or other. He was superb, timeless being, who lived a thousand years behind the times, and who wanted neither food nor roof nor riches if only he was allowed to gaze on undisturbed at an old coin or chip of a burial urn.

He had torn up the earth in almost all parts of India and had brought to light very valuable information concerning the history and outlook of people of remote centuries. His monographs on each of his excavations filled several shelves in all the important libraries. And then, as our good fortune would have it, he received an inspiration that Malgudi district was eminently diggable. I am not competent to explain how he got this idea, but there it was. Word was brought to me that the great man was staying in the dak bungalow and was in need of an assistant. Within an hour of hearing it I stood before the great man. He was sitting on the floor with the most crazy collection of articles in front of him pots and beads and useless coins and palm leaves, all of them rusty and decaying. he had a lens by his side, through which he looked at these articles and made notes.

Match List I with List II

| LIST I |   | LIST II |                                  |
|--------|---|---------|----------------------------------|
| A.     | The archaeologist had keen interest in  | I.      | all the important libraries      |
| B.     | The archaeologist was in need of        | II.     | almost all parts of India        |
| C.     | His monographs on excavations filled in | III.    | old coin or chip of a burial urn |
| D.     | The archaeologist had worked in         | IV.     | an assitant                      |

Choose the correct answer from the options given below:

1. A-II, B-III, C-IV, D-I
2. A-III, B-IV, C-I, D-II
3. A-IV, B-III, C-II, D-I
4. A-I, B-III, C-II, D-IV

**Options :**

- 485584135825. 1
- 485584135826. 2
- 485584135827. 3
- 485584135828. 4

**Question Number : 13 Question Id : 48558433958 Question Type : MCQ Option Shuffling : No Is Question Mandatory : No Calculator : None Response Time : N.A Think Time : N.A Minimum Instruction Time : 0**

**Correct Marks : 5 Wrong Marks : 1**

**Question Key Details :**

| Key           | Value |
|---------------|-------|
| Comprehension | Comp3 |

Once I was an archaeologist's assistant. I wandered up and down the country probing, exploring, and digging, in search of antiquities, a most interesting occupation, although cynics sometimes called us "grave-diggers." I enjoyed the work immensely. I had a master who was a famous archaeologist called Doctor something or other. He was superb, timeless being, who lived a thousand years behind the times, and who wanted neither food nor roof nor riches if only he was allowed to gaze on undisturbed at an old coin or chip of a burial urn.

He had torn up the earth in almost all parts of India and had brought to light very valuable information concerning the history and outlook of people of remote centuries. His monographs on each of his excavations filled several shelves in all the important libraries. And then, as our good fortune would have it, he received an inspiration that Malgudi district was eminently diggable. I am not competent to explain how he got this idea, but there it was. Word was brought to me that the great man was staying in the dark bungalow and was in need of an assistant. Within an hour of hearing it I stood before the great man. He was sitting on the floor with the most crazy collection of articles in front of him pots and beads and useless coins and palm leaves, all of them rusty and decaying. He had a lens by his side, through which he looked at these articles and made notes.

In which place did the archaeologist suddenly take interest?

1. Dark bungalow
2. Indian villages
3. Malgudi
4. Tamil Nadu

**Options :**

- 485584135829. 1
- 485584135830. 2
- 485584135831. 3
- 485584135832. 4

**Question Number : 14 Question Id : 48558433959 Question Type : MCQ Option Shuffling : No Is Question Mandatory : No Calculator : None Response Time : N.A Think Time : N.A Minimum Instruction Time : 0**

**Correct Marks : 5 Wrong Marks : 1**

**Question Key Details :**

| Key           | Value |
|---------------|-------|
| Comprehension | Comp3 |

Once I was an archaeologist's assistant. I wandered up and down the country probing, exploring, and digging, in search of antiquities, a most interesting occupation, although cynics sometimes called us "grave-diggers." I enjoyed the work immensely. I had a master who was a famous archaeologist called Doctor something or other. He was superb, timeless being, who lived a thousand years behind the times, and who wanted neither food nor roof nor riches if only he was allowed to gaze on undisturbed at an old coin or chip of a burial urn.

He had torn up the earth in almost all parts of India and had brought to light very valuable information concerning the history and outlook of people of remote centuries. His monographs on each of his excavations filled several shelves in all the important libraries. And then, as our good fortune would have it, he received an inspiration that Malgudi district was eminently diggable. I am not competent to explain how he got this idea, but there it was. Word was brought to me that the great man was staying in the dak bungalow and was in need of an assistant. Within an hour of hearing it I stood before the great man. He was sitting on the floor with the most crazy collection of articles in front of him pots and beads and useless coins and palm leaves, all of them rusty and decaying. he had a lens by his side, through which he looked at these articles and made notes.

How do cynics called archaeologists 'grave-diggers'?

1. Mockingly
2. Proudly
3. Admirably
4. Sincerely

**Options :**

- 485584135833. 1
- 485584135834. 2
- 485584135835. 3
- 485584135836. 4

**Question Number : 15 Question Id : 48558433960 Question Type : MCQ Option Shuffling : No Is Question Mandatory : No Calculator : None Response Time : N.A Think Time : N.A Minimum Instruction Time : 0**

**Correct Marks : 5 Wrong Marks : 1**

**Question Key Details :**

| Key           | Value |
|---------------|-------|
| Comprehension | Comp3 |

Once I was an archaeologist's assistant. I wandered up and down the country probing, exploring, and digging, in search of antiquities, a most interesting occupation, although cynics sometimes called us "grave-diggers." I enjoyed the work immensely. I had a master who was a famous archaeologist called Doctor something or other. He was superb, timeless being, who lived a thousand years behind the times, and who wanted neither food nor roof nor riches if only he was allowed to gaze on undisturbed at an old coin or chip of a burial urn.

He had torn up the earth in almost all parts of India and had brought to light very valuable information concerning the history and outlook of people of remote centuries. His monographs on each of his excavations filled several shelves in all the important libraries. And then, as our good fortune would have it, he received an inspiration that Malgudi district was eminently diggable. I am not competent to explain how he got this idea, but there it was. Word was brought to me that the great man was staying in the dak bungalow and was in need of an assistant. Within an hour of hearing it I stood before the great man. He was sitting on the floor with the most crazy collection of articles in front of him pots and beads and useless coins and palm leaves, all of them rusty and decaying. he had a lens by his side, through which he looked at these articles and made notes.

How do you know the archaeologist is an eminent figure?

1. He looked at old artifacts
2. His important monographs are in all reputed libraries
3. He needs an assistant
4. He used lens to inspect articles

**Options :**

- 485584135837. 1
- 485584135838. 2
- 485584135839. 3
- 485584135840. 4

**Sub-Section Number :** 4  
**Sub-Section Id :** 4855842509  
**Question Shuffling Allowed :** Yes  
**Is Section Default? :** null

**Question Number : 16 Question Id : 48558433961 Question Type : MCQ Option Shuffling : No Is Question Mandatory : No Calculator : None Response Time : N.A Think Time : N.A Minimum Instruction Time : 0**

**Correct Marks : 5 Wrong Marks : 1**

**Question Key Details :**

| Key           | Value |
|---------------|-------|
| Comprehension | MCQ   |

Convert the following sentence in Passive Voice by choosing the appropriate answer from the given list.

The soldiers promptly obeyed his command.

1. The command should be obeyed might now, soldiers.
2. The command was promptly obeyed by the soldiers.
3. Obey the command promptly soldiers!
4. The command is promptly obeyed by the soldiers.

**Options :**

- 485584135841. 1
- 485584135842. 2
- 485584135843. 3
- 485584135844. 4

**Question Number : 17 Question Id : 48558433962 Question Type : MCQ Option Shuffling : No Is Question Mandatory : No Calculator : None Response Time : N.A Think Time : N.A Minimum Instruction Time : 0**

**Correct Marks : 5 Wrong Marks : 1**

**Question Key Details :**

| Key           | Value |
|---------------|-------|
| Comprehension | MCQ   |

Change the following Passive Voice to Active Voice by choosing the right answer from the given list.

'Somebody has invited them to lunch tomorrow'.

1. They have been invited to lunch by somebody tomorrow
2. They will go to lunch somebody's house the following day.
3. They have been invited to lunch tomorrow
4. They will be invited to lunch the next day.

**Options :**

- 485584135845. 1
- 485584135846. 2
- 485584135847. 3
- 485584135848. 4

**Question Number : 18 Question Id : 48558433963 Question Type : MCQ Option Shuffling : No Is Question Mandatory : No Calculator : None Response Time : N.A Think Time : N.A Minimum Instruction Time : 0**

**Correct Marks : 5 Wrong Marks : 1**

**Question Key Details :**

| Key           | Value |
|---------------|-------|
| Comprehension | MCQ   |

Fill in the blank with an appropriate question tag:

Let's go to the beach, \_\_\_\_\_?

1. Can we?
2. Should we?
3. Can't we?
4. Shall we?

**Options :**

- 485584135849. 1
- 485584135850. 2
- 485584135851. 3
- 485584135852. 4

**Question Number : 19 Question Id : 48558433964 Question Type : MCQ Option Shuffling : No Is Question Mandatory : No Calculator : None Response Time : N.A Think Time : N.A Minimum Instruction Time : 0**

**Correct Marks : 5 Wrong Marks : 1**

**Question Key Details :**

| Key           | Value |
|---------------|-------|
| Comprehension | MCQ   |

From the given options, choose the appropriate meaning of the following phrase.

"AB INITIO".

1. at the end
2. from the beginning
3. to go to the gym
4. entry into a cult

**Options :**

- 485584135853. 1
- 485584135854. 2
- 485584135855. 3
- 485584135856. 4

**Question Number : 20 Question Id : 48558433965 Question Type : MCQ Option Shuffling : No Is Question Mandatory : No Calculator : None Response Time : N.A Think Time : N.A Minimum Instruction Time : 0**

**Correct Marks : 5 Wrong Marks : 1**

**Question Key Details :**

| Key           | Value |
|---------------|-------|
| Comprehension | MCQ   |

From the given options, choose the meaning for the given foreign word:

"MAGNUM OPUS"

1. Masterpiece
2. the worst opponent
3. dark chocolate
4. posterity

**Options :**

485584135857. 1  
485584135858. 2  
485584135859. 3  
485584135860. 4

**Question Number : 21 Question Id : 48558433966 Question Type : MCQ Option Shuffling : No Is Question Mandatory : No Calculator : None Response Time : N.A Think Time : N.A Minimum Instruction Time : 0**

**Correct Marks : 5 Wrong Marks : 1**

**Question Key Details :**

| Key           | Value |
|---------------|-------|
| Comprehension | MCQ   |

Choose the option that demonstrates the most appropriate use of articles

1. The Secretary and a Treasurer are absent
2. The Secretary and the Treasurer are absent
3. Secretary and Treasurer are absent
4. The Secretary and Treasurer are absent

**Options :**

485584135861. 1  
485584135862. 2  
485584135863. 3  
485584135864. 4

**Question Number : 22 Question Id : 48558433967 Question Type : MCQ Option Shuffling : No Is Question Mandatory : No Calculator : None Response Time : N.A Think Time : N.A Minimum Instruction Time : 0**

**Correct Marks : 5 Wrong Marks : 1**

**Question Key Details :**

| Key           | Value |
|---------------|-------|
| Comprehension | MCQ   |

Fill in the blank with an appropriate Article.

I am subscribed \_\_\_\_\_ the New York Times journal.

1. with
2. for
3. from
4. to

**Options :**

- 485584135865. 1
- 485584135866. 2
- 485584135867. 3
- 485584135868. 4

**Question Number : 23 Question Id : 48558433968 Question Type : MCQ Option Shuffling : No Is Question Mandatory : No Calculator : None Response Time : N.A Think Time : N.A Minimum Instruction Time : 0**

**Correct Marks : 5 Wrong Marks : 1**

**Question Key Details :**

| Key           | Value |
|---------------|-------|
| Comprehension | MCQ   |

From the given options, choose the most appropriate meaning of the word:

"CARTOGRAPHER"

1. one who draws maps
2. study of fossils
3. one who collects stamps
4. a number of cases

**Options :**

- 485584135869. 1
- 485584135870. 2
- 485584135871. 3
- 485584135872. 4

**Question Number : 24 Question Id : 48558433969 Question Type : MCQ Option Shuffling : No Is Question Mandatory : No Calculator : None Response Time : N.A Think Time : N.A Minimum Instruction Time : 0**

**Correct Marks : 5 Wrong Marks : 1**

**Question Key Details :**

| Key           | Value |
|---------------|-------|
| Comprehension | MCQ   |



Match the words in List I with their appropriate Synonyms in List II

| LIST I |            | LIST II |  |
|--------|------------|---------|--|
| A.     | Mortuary   | I.      | Home for the destitute                         |
| B.     | Cantonment | II.     | A place where money is coined                  |
| C.     | Mint       | III.    | A place where dead bodies are temporarily kept |
| D.     | Asylum     | IV.     | A place where soldiers are quartered           |

Choose the correct answer from the options given below:

1. A-II, B-III, C-IV, D-I
2. A-IV, B-II, C-III, D-I
3. A-III, B-IV, C-I, D-II
4. A-III, B-IV, C-II, D-I

**Options :**

485584135873. 1  
485584135874. 2  
485584135875. 3  
485584135876. 4

**Question Number : 25 Question Id : 48558433970 Question Type : MCQ Option Shuffling : No Is Question Mandatory : No Calculator : None Response Time : N.A Think Time : N.A Minimum Instruction Time : 0**

**Correct Marks : 5 Wrong Marks : 1**

**Question Key Details :**

| Key           | Value |
|---------------|-------|
| Comprehension | MCQ   |

Arrange the following headings of a formal letter in the correct order.

- A. Sender's address
- B. Salutation
- C. Receiver's address
- D. Subject
- E. Date

Choose the correct answer from the options given below:

1. B, A, C, E, D
2. E, D, C, A, B
3. A, B, C, D, E
4. A, E, C, D, B

**Options :**

485584135877. 1  
485584135878. 2  
485584135879. 3

**Question Number : 26 Question Id : 48558433971 Question Type : MCQ Option Shuffling : No Is Question Mandatory : No Calculator : None Response Time : N.A Think Time : N.A Minimum Instruction Time : 0**

**Correct Marks : 5 Wrong Marks : 1**

**Question Key Details :**

| Key           | Value |
|---------------|-------|
| Comprehension | MCQ   |

Complete the given sentence by rearranging the jumbled phrases and form a coherent sentences. Choose the most appropriate option.

The lender's public meeting was disrupted.

P. by a section of the audience

Q. any firm assurance

R. he had not given them

S. who felt that

1. P, S, R, Q

2. Q, P, S, R

3. R, Q, P, S

4. S, R, Q, P

**Options :**

485584135881. 1

485584135882. 2

485584135883. 3

485584135884. 4

**Question Number : 27 Question Id : 48558433972 Question Type : MCQ Option Shuffling : No Is Question Mandatory : No Calculator : None Response Time : N.A Think Time : N.A Minimum Instruction Time : 0**

**Correct Marks : 5 Wrong Marks : 1**

**Question Key Details :**

| Key           | Value |
|---------------|-------|
| Comprehension | MCQ   |

Choosing the most appropriate answer from the given list. Convert the following sentence in Direct Speech to Indirect Speech.

"I am guilty", the defended said.

1. The defendant admitted that he was guilty

2. The defendant accepted his guilt

3. The defendant said yes he was guilty

4. The guilty defendant accepted his fault

**Options :**

- 485584135885. 1
- 485584135886. 2
- 485584135887. 3
- 485584135888. 4

**Question Number : 28 Question Id : 48558433973 Question Type : MCQ Option Shuffling : No Is Question Mandatory : No Calculator : None Response Time : N.A Think Time : N.A Minimum Instruction Time : 0**

**Correct Marks : 5 Wrong Marks : 1**

**Question Key Details :**

| Key           | Value |
|---------------|-------|
| Comprehension | MCQ   |

Choosing the most appropriate answer from the given list, convert the following sentence in Indirect speech to Direct speech.

I asked Sara whether Bill had given her that ring.

1. "Did Bill willing to give that ring?", "I asked Sara.
2. "Did Bill give you that ring?", I asked Sara.
3. "Can Bill give you a ring?", I asked Sara.
4. "Should Bill give you rings?", I asked Sara.

**Options :**

- 485584135889. 1
- 485584135890. 2
- 485584135891. 3
- 485584135892. 4

**Question Number : 29 Question Id : 48558433974 Question Type : MCQ Option Shuffling : No Is Question Mandatory : No Calculator : None Response Time : N.A Think Time : N.A Minimum Instruction Time : 0**

**Correct Marks : 5 Wrong Marks : 1**

**Question Key Details :**

| Key           | Value |
|---------------|-------|
| Comprehension | MCQ   |

Convert the following Exclamatory Sentence to Assertive Sentence:

What a Lovely House!

1. Oh! What a lovely house!
2. The house that I am looking at is very lonely
3. It was a very lovely house indeed
4. What a lovely house am I looking at

**Options :**

- 485584135893. 1
- 485584135894. 2

485584135895. 3

485584135896. 4

**Question Number : 30 Question Id : 48558433975 Question Type : MCQ Option Shuffling : No Is Question Mandatory : No Calculator : None Response Time : N.A Think Time : N.A Minimum Instruction Time : 0**

**Correct Marks : 5 Wrong Marks : 1**

**Question Key Details :**

| Key           | Value |
|---------------|-------|
| Comprehension | MCQ   |

Fill in the blanks with the appropriate pair of Homonyms:

I heard an \_\_\_\_\_ when I was going to the tailor for \_\_\_\_\_.

1. alteration, altercation
2. altercation, alteration
3. alternative, alteration
4. alternative, altercation

**Options :**

485584135897. 1

485584135898. 2

485584135899. 3

485584135900. 4

**Question Number : 31 Question Id : 48558433976 Question Type : MCQ Option Shuffling : No Is Question Mandatory : No Calculator : None Response Time : N.A Think Time : N.A Minimum Instruction Time : 0**

**Correct Marks : 5 Wrong Marks : 1**

**Question Key Details :**

| Key           | Value |
|---------------|-------|
| Comprehension | MCQ   |

Arrange the following sentence in the proper order:

- A. for total destruction
- B. However, whether we have the capacity
- C. Remains debated
- D. through nuclear annihilation or such

Choose the correct answer from the options given below:

1. C, A, D, B
2. A, B, C, D
3. B, A, D, C
4. D, C, B, A

**Options :**

485584135901. 1

485584135902. 2

485584135903. 3

485584135904. 4

**Question Number : 32 Question Id : 48558433977 Question Type : MCQ Option Shuffling : No Is Question Mandatory : No Calculator : None Response Time : N.A Think Time : N.A Minimum Instruction Time : 0**

**Correct Marks : 5 Wrong Marks : 1**

**Question Key Details :**

| Key           | Value |
|---------------|-------|
| Comprehension | MCQ   |

Choose the best option to convert the given Assertive Sentence into Exclamatory Sentence:

I wish I knew more people here.

1. If only I knew more people here!
2. What a pity to have known more people here.
3. Oh! Fie! I know nobody here.
4. Alas! I could have known more people here.

**Options :**

485584135905. 1

485584135906. 2

485584135907. 3

485584135908. 4

**Question Number : 33 Question Id : 48558433978 Question Type : MCQ Option Shuffling : No Is Question Mandatory : No Calculator : None Response Time : N.A Think Time : N.A Minimum Instruction Time : 0**

**Correct Marks : 5 Wrong Marks : 1**

**Question Key Details :**

| Key           | Value |
|---------------|-------|
| Comprehension | MCQ   |

Fill in the appropriate modals in List I with the sentences given in List II

| LIST I |  | LIST II |        |
|--------|--|---------|--------|
| A.     | How _____ you shout at your best friend? | I.      | can    |
| B.     | _____ we go to the beach then?           | II.     | should |
| C.     | No one _____ question the ways of God    | III.    | shall  |
| D.     | We _____ respect our elders              | IV.     | could  |

Choose the correct answer from the options given below:

1. A-I, B-IV, C-III, D-II
2. A-II, B-III, C-I, D-IV
3. A-IV, B-III, C-I, D-II
4. A-III, B-II, C-I, D-IV

**Options :**

- 485584135909. 1
- 485584135910. 2
- 485584135911. 3
- 485584135912. 4

**Question Number : 34 Question Id : 48558433979 Question Type : MCQ Option Shuffling : No Is Question Mandatory : No Calculator : None Response Time : N.A Think Time : N.A Minimum Instruction Time : 0**

**Correct Marks : 5 Wrong Marks : 1**

**Question Key Details :**

| Key           | Value |
|---------------|-------|
| Comprehension | MCQ   |

Fill in the blank with a proper modal so that the sentence sounds like a promise.

I \_\_\_\_\_ help you.

- 1. might
- 2. shouldn't
- 3. can
- 4. will

**Options :**

- 485584135913. 1
- 485584135914. 2
- 485584135915. 3
- 485584135916. 4

**Question Number : 35 Question Id : 48558433980 Question Type : MCQ Option Shuffling : No Is Question Mandatory : No Calculator : None Response Time : N.A Think Time : N.A Minimum Instruction Time : 0**

**Correct Marks : 5 Wrong Marks : 1**

**Question Key Details :**

| Key           | Value |
|---------------|-------|
| Comprehension | MCQ   |

Identify the Adjective Clause in the following sentence.

"The spot where the battle was fought is unknown".

- 1. The spot where
- 2. where the battle was fought
- 3. The spot where the battle was fought
- 4. the battle was

**Options :**

- 485584135917. 1
- 485584135918. 2
- 485584135919. 3
- 485584135920. 4

**Question Number : 36 Question Id : 48558433981 Question Type : MCQ Option Shuffling : No Is Question Mandatory : No Calculator : None Response Time : N.A Think Time : N.A Minimum Instruction Time : 0**

**Correct Marks : 5 Wrong Marks : 1**

**Question Key Details :**

| Key           | Value |
|---------------|-------|
| Comprehension | MCQ   |

Identify the error in the following sentence.

Each girl and each boy was given a red pencil.

1. Each girl and each boy
2. was given
3. a red pencil
4. No error

**Options :**

- 485584135921. 1
- 485584135922. 2
- 485584135923. 3
- 485584135924. 4

**Question Number : 37 Question Id : 48558433982 Question Type : MCQ Option Shuffling : No Is Question Mandatory : No Calculator : None Response Time : N.A Think Time : N.A Minimum Instruction Time : 0**

**Correct Marks : 5 Wrong Marks : 1**

**Question Key Details :**

| Key           | Value |
|---------------|-------|
| Comprehension | MCQ   |

Identify the error in the following sentence.

He was not able to concentrate because of the continual music being played next door.

1. He was not able to concentrate
2. because of the continual music
3. being played next door
4. No error

**Options :**

- 485584135925. 1
- 485584135926. 2
- 485584135927. 3
- 485584135928. 4

**Question Number : 38 Question Id : 48558433983 Question Type : MCQ Option Shuffling : No Is Question Mandatory : No Calculator : None Response Time : N.A Think Time : N.A Minimum Instruction Time : 0**

**Correct Marks : 5 Wrong Marks : 1**

**Question Key Details :**

|               |              |
|---------------|--------------|
| <b>Key</b>    | <b>Value</b> |
| Comprehension | MCQ          |

Match List I with List II : Words with their antonyms

| LIST I |            | LIST II  |          |
|--------|------------|----------|----------|
| Words  |            | Antonyms |          |
| A.     | Meticulous | I.       | Neglect  |
| B.     | Abrupt     | II.      | Active   |
| C.     | Nurse      | III.     | Careless |
| D.     | Ennui      | IV.      | Gradual  |

Choose the correct answer from the options given below:

1. A-I, B-II, C-III, D-IV
2. A-III, B-IV, C-I, D-II
3. A-II, B-I, C-IV, D-III
4. A-IV, B-II, C-III, D-I

**Options :**

485584135929. 1  
485584135930. 2  
485584135931. 3  
485584135932. 4

**Question Number : 39 Question Id : 48558433984 Question Type : MCQ Option Shuffling : No Is Question Mandatory : No Calculator : None Response Time : N.A Think Time : N.A Minimum Instruction Time : 0**

**Correct Marks : 5 Wrong Marks : 1**

**Question Key Details :**

|               |              |
|---------------|--------------|
| <b>Key</b>    | <b>Value</b> |
| Comprehension | MCQ          |

Choose the appropriate Antonym for the following word from the given list.

"ADRIOT"

1. Negate
2. Chumsy
3. Posture
4. Skillfull

**Options :**

485584135933. 1  
485584135934. 2  
485584135935. 3  
485584135936. 4



**Question Number : 40 Question Id : 48558433985 Question Type : MCQ Option Shuffling : No Is Question Mandatory : No Calculator : None Response Time : N.A Think Time : N.A Minimum Instruction Time : 0**

**Correct Marks : 5 Wrong Marks : 1**

**Question Key Details :**

| Key           | Value |
|---------------|-------|
| Comprehension | MCQ   |

Arrange the following sentence in the correct order.

- A. how efficient an administrator
- B. all days long
- C. The courtiers need to tell the king
- D. he was

Choose the correct answer from the options given below:

- 1. C, A, D, B
- 2. B, C, A, D
- 3. D, A, B, C
- 4. A, B, C, D

**Options :**

- 485584135937. 1
- 485584135938. 2
- 485584135939. 3
- 485584135940. 4

**Question Number : 41 Question Id : 48558433986 Question Type : MCQ Option Shuffling : No Is Question Mandatory : No Calculator : None Response Time : N.A Think Time : N.A Minimum Instruction Time : 0**

**Correct Marks : 5 Wrong Marks : 1**

**Question Key Details :**

| Key           | Value |
|---------------|-------|
| Comprehension | MCQ   |

Fill in the blank with an appropriate preposition in the following sentence.

The boy fell \_\_\_\_\_ the roof.

- 1. under
- 2. off
- 3. of
- 4. since

**Options :**

- 485584135941. 1
- 485584135942. 2
- 485584135943. 3
- 485584135944. 4

**Question Number : 42 Question Id : 48558433987 Question Type : MCQ Option Shuffling : No Is Question Mandatory : No Calculator : None Response Time : N.A Think Time : N.A Minimum Instruction Time : 0**

**Correct Marks : 5 Wrong Marks : 1**

**Question Key Details :**

| Key           | Value |
|---------------|-------|
| Comprehension | MCQ   |

Fill in the blanks with the correct pair of preposition in the given sentence.

They lived \_\_\_\_\_ Gohana, a small town \_\_\_\_\_ Haryana.

1. at, in
2. in, from
3. at, from
4. in, at

**Options :**

- 485584135945. 1
- 485584135946. 2
- 485584135947. 3
- 485584135948. 4

**Question Number : 43 Question Id : 48558433988 Question Type : MCQ Option Shuffling : No Is Question Mandatory : No Calculator : None Response Time : N.A Think Time : N.A Minimum Instruction Time : 0**

**Correct Marks : 5 Wrong Marks : 1**

**Question Key Details :**

| Key           | Value |
|---------------|-------|
| Comprehension | MCQ   |

Choose the sentence with the correct use of the idiom/phrase from the given list:

1. His son put off a blind eye prank
2. He turned a blind eye to his son's prank
3. His father's blind eye turned at his prank
4. He turned blind to his son's prank

**Options :**

- 485584135949. 1
- 485584135950. 2
- 485584135951. 3
- 485584135952. 4

**Question Number : 44 Question Id : 48558433989 Question Type : MCQ Option Shuffling : No Is Question Mandatory : No Calculator : None Response Time : N.A Think Time : N.A Minimum Instruction Time : 0**

**Correct Marks : 5 Wrong Marks : 1**

**Question Key Details :**

| Key           | Value |
|---------------|-------|
| Comprehension | MCQ   |

Match the idioms/phrases in List I with its meaning in List II

| LIST I |                       | LIST II |                          |
|--------|-----------------------|---------|--------------------------|
| A.     | murder in cold blood  | I.      | to be in trouble         |
| B.     | go places             | II.     | murder ruthlessly        |
| C.     | A fly in the ointment | III.    | a problem in a situation |
| D.     | in the soup           | IV.     | be successful            |

Choose the correct answer from the options given below:

1. A-I, B-III, C-IV, D-II
2. A-IV, B-III, C-I, D-II
3. A-III, B-II, C-I, D-IV
4. A-II, B-IV, C-III, D-I

**Options :**

485584135953. 1  
485584135954. 2  
485584135955. 3  
485584135956. 4

**Question Number : 45 Question Id : 48558433990 Question Type : MCQ Option Shuffling : No Is Question Mandatory : No Calculator : None Response Time : N.A Think Time : N.A Minimum Instruction Time : 0**

**Correct Marks : 5 Wrong Marks : 1**

**Question Key Details :**

| Key           | Value |
|---------------|-------|
| Comprehension | MCQ   |

Fill in the blanks with the most appropriate phrasal verb from the alternatives given under the sentence.

In her old age she has no one to \_\_\_\_\_ her.

1. Look at
2. Look after
3. Look for
4. Look ones

**Options :**

485584135957. 1  
485584135958. 2  
485584135959. 3  
485584135960. 4

**Question Number : 46 Question Id : 48558433991 Question Type : MCQ Option Shuffling : No Is Question Mandatory : No Calculator : None Response Time : N.A Think Time : N.A Minimum Instruction Time : 0**

**Correct Marks : 5 Wrong Marks : 1**

**Question Key Details :**

| Key           | Value |
|---------------|-------|
| Comprehension | MCQ   |

Fill in the blanks with the most suitable phrasal verb from the alternatives given under the sentence.

The college will \_\_\_\_\_ next week for summer vacation.

1. Break up
2. Open up
3. Close down
4. Shut up

**Options :**

- 485584135961. 1
- 485584135962. 2
- 485584135963. 3
- 485584135964. 4

**Question Number : 47 Question Id : 48558433992 Question Type : MCQ Option Shuffling : No Is Question Mandatory : No Calculator : None Response Time : N.A Think Time : N.A Minimum Instruction Time : 0**

**Correct Marks : 5 Wrong Marks : 1**

**Question Key Details :**

| Key           | Value |
|---------------|-------|
| Comprehension | MCQ   |

Some part of the sentence is grammatically incorrect. Pick the error.

Another surprising change that I noticed in him in recent times is that he avoids to speak to me.

1. Another surprising change
2. that is noticed in him in recent time
3. is that he avoids
4. to speak to me

**Options :**

- 485584135965. 1
- 485584135966. 2
- 485584135967. 3
- 485584135968. 4

**Question Number : 48 Question Id : 48558433993 Question Type : MCQ Option Shuffling : No Is Question Mandatory : No Calculator : None Response Time : N.A Think Time : N.A Minimum Instruction Time : 0**

**Correct Marks : 5 Wrong Marks : 1**

**Question Key Details :**

| Key           | Value |
|---------------|-------|
| Comprehension | MCQ   |

Identify the type of adverb in the following sentence.

"I therefore left my apartment".

1. Adverb of frequency
2. Adverb of manner
3. Adverb of reason
4. Adverb of Time

**Options :**

- 485584135969. 1
- 485584135970. 2
- 485584135971. 3
- 485584135972. 4

**Question Number : 49 Question Id : 48558433994 Question Type : MCQ Option Shuffling : No Is Question Mandatory : No Calculator : None Response Time : N.A Think Time : N.A Minimum Instruction Time : 0**

**Correct Marks : 5 Wrong Marks : 1**

**Question Key Details :**

| Key           | Value |
|---------------|-------|
| Comprehension | MCQ   |

Fill in the blank with an appropriate adverb.

They have \_\_\_\_\_ faith in their Guru.

1. Fairly good
2. wholly
3. very
4. too much

**Options :**

- 485584135973. 1
- 485584135974. 2
- 485584135975. 3
- 485584135976. 4

**Question Number : 50 Question Id : 48558433995 Question Type : MCQ Option Shuffling : No Is Question Mandatory : No Calculator : None Response Time : N.A Think Time : N.A Minimum Instruction Time : 0**

**Correct Marks : 5 Wrong Marks : 1**

**Question Key Details :**

| Key           | Value |
|---------------|-------|
| Comprehension | MCQ   |

Choose the salutation used in a formal letter from the given options.

1. yours lovingly
2. yours sincerely
3. yours truly
4. yours punctually

**Options :**

485584135977. 1  
485584135978. 2  
485584135979. 3  
485584135980. 4

## Hindi

|                                      |           |
|--------------------------------------|-----------|
| <b>Group Number :</b>                | 2         |
| <b>Group Id :</b>                    | 485584769 |
| <b>Group Maximum Duration :</b>      | 45        |
| <b>Group Minimum Duration :</b>      | 45        |
| <b>Show Attended Group? :</b>        | No        |
| <b>Edit Attended Group? :</b>        | No        |
| <b>Break time :</b>                  | 0         |
| <b>Group Marks :</b>                 | 200       |
| <b>Is this Group for Examiner? :</b> | No        |
| <b>Examiner permission :</b>         | Cant View |
| <b>Show Progress Bar? :</b>          | No        |

## Hindi

|   |            |
|---|------------|
| <b>Section Id :</b>   | 485584887  |
| <b>Section Number :</b>   | 1          |
| <b>Section type :</b>   | Online     |
| <b>Mandatory or Optional :</b>                                      | Mandatory  |
| <b>Number of Questions :</b>  | 50         |
| <b>Number of Questions to be attempted :</b>                        | 40         |
| <b>Section Marks :</b>  | 200        |
| <b>Enable Mark as Answered Mark for Review and Clear Response :</b> | Yes        |
| <b>Maximum Instruction Time :</b>                                   | 0          |
| <b>Sub-Section Number :</b>   | 1          |
| <b>Sub-Section Id :</b>   | 4855842510 |
| <b>Question Shuffling Allowed :</b>                                 | No         |
| <b>Is Section Default? :</b>  | null       |
| <b>Sub-Section Number :</b>   | 2          |
| <b>Sub-Section Id :</b>   | 4855842511 |
| <b>Question Shuffling Allowed :</b>                                 | No         |
| <b>Is Section Default? :</b>  | null       |
| <b>Sub-Section Number :</b>   | 3          |
| <b>Sub-Section Id :</b>   | 4855842512 |

|                                     |            |
|-------------------------------------|------------|
| <b>Question Shuffling Allowed :</b> | No         |
| <b>Is Section Default? :</b>        | null       |
| <b>Sub-Section Number :</b>         | 4          |
| <b>Sub-Section Id :</b>             | 4855842513 |
| <b>Question Shuffling Allowed :</b> | Yes        |
| <b>Is Section Default? :</b>        | null       |

## Odia

|                                      |           |
|--------------------------------------|-----------|
| <b>Group Number :</b>                | 3         |
| <b>Group Id :</b>                    | 485584770 |
| <b>Group Maximum Duration :</b>      | 45        |
| <b>Group Minimum Duration :</b>      | 45        |
| <b>Show Attended Group? :</b>        | No        |
| <b>Edit Attended Group? :</b>        | No        |
| <b>Break time :</b>                  | 0         |
| <b>Group Marks :</b>                 | 200       |
| <b>Is this Group for Examiner? :</b> | No        |
| <b>Examiner permission :</b>         | Cant View |
| <b>Show Progress Bar? :</b>          | No        |

## Odia

|   |            |
|---|------------|
| <b>Section Id :</b>   | 485584888  |
| <b>Section Number :</b>   | 1          |
| <b>Section type :</b>   | Online     |
| <b>Mandatory or Optional :</b>                                      | Mandatory  |
| <b>Number of Questions :</b>  | 50         |
| <b>Number of Questions to be attempted :</b>                        | 40         |
| <b>Section Marks :</b>  | 200        |
| <b>Enable Mark as Answered Mark for Review and Clear Response :</b> | Yes        |
| <b>Maximum Instruction Time :</b>                                   | 0          |
| <b>Sub-Section Number :</b>   | 1          |
| <b>Sub-Section Id :</b>   | 4855842514 |
| <b>Question Shuffling Allowed :</b>                                 | No         |
| <b>Is Section Default? :</b>  | null       |
| <b>Sub-Section Number :</b>   | 2          |
| <b>Sub-Section Id :</b>   | 4855842515 |
| <b>Question Shuffling Allowed :</b>                                 | No         |
| <b>Is Section Default? :</b>  | null       |
| <b>Sub-Section Number :</b>   | 3          |
| <b>Sub-Section Id :</b>   | 4855842516 |
| <b>Question Shuffling Allowed :</b>                                 | No         |
| <b>Is Section Default? :</b>  | null       |
| <b>Sub-Section Number :</b>   | 4          |
| <b>Sub-Section Id :</b>   | 4855842517 |
| <b>Question Shuffling Allowed :</b>                                 | Yes        |
| <b>Is Section Default? :</b>  | null       |

## Punjabi

|                                      |           |
|--------------------------------------|-----------|
| <b>Group Number :</b>                | 4         |
| <b>Group Id :</b>                    | 485584771 |
| <b>Group Maximum Duration :</b>      | 45        |
| <b>Group Minimum Duration :</b>      | 45        |
| <b>Show Attended Group? :</b>        | No        |
| <b>Edit Attended Group? :</b>        | No        |
| <b>Break time :</b>                  | 0         |
| <b>Group Marks :</b>                 | 200       |
| <b>Is this Group for Examiner? :</b> | No        |
| <b>Examiner permission :</b>         | Cant View |
| <b>Show Progress Bar? :</b>          | No        |

## Punjabi

|   |            |
|---|------------|
| <b>Section Id :</b>   | 485584889  |
| <b>Section Number :</b>   | 1          |
| <b>Section type :</b>   | Online     |
| <b>Mandatory or Optional :</b>                                      | Mandatory  |
| <b>Number of Questions :</b>  | 50         |
| <b>Number of Questions to be attempted :</b>                        | 40         |
| <b>Section Marks :</b>  | 200        |
| <b>Enable Mark as Answered Mark for Review and Clear Response :</b> | Yes        |
| <b>Maximum Instruction Time :</b>                                   | 0          |
| <b>Sub-Section Number :</b>   | 1          |
| <b>Sub-Section Id :</b>   | 4855842518 |
| <b>Question Shuffling Allowed :</b>                                 | No         |
| <b>Is Section Default? :</b>  | null       |
| <b>Sub-Section Number :</b>   | 2          |
| <b>Sub-Section Id :</b>   | 4855842519 |
| <b>Question Shuffling Allowed :</b>                                 | No         |
| <b>Is Section Default? :</b>  | null       |
| <b>Sub-Section Number :</b>   | 3          |
| <b>Sub-Section Id :</b>   | 4855842520 |
| <b>Question Shuffling Allowed :</b>                                 | No         |
| <b>Is Section Default? :</b>  | null       |
| <b>Sub-Section Number :</b>   | 4          |
| <b>Sub-Section Id :</b>   | 4855842521 |
| <b>Question Shuffling Allowed :</b>                                 | Yes        |
| <b>Is Section Default? :</b>  | null       |

## Tamil

|                                      |           |
|--------------------------------------|-----------|
| <b>Group Number :</b>                | 5         |
| <b>Group Id :</b>                    | 485584772 |
| <b>Group Maximum Duration :</b>      | 45        |
| <b>Group Minimum Duration :</b>      | 45        |
| <b>Show Attended Group? :</b>        | No        |
| <b>Edit Attended Group? :</b>        | No        |
| <b>Break time :</b>                  | 0         |
| <b>Group Marks :</b>                 | 200       |
| <b>Is this Group for Examiner? :</b> | No        |



**Examiner permission :** Cant View  
**Show Progress Bar? :** No

## Tamil

**Section Id :** 485584890  
**Section Number :** 1  
**Section type :** Online  
**Mandatory or Optional :** Mandatory  
**Number of Questions :** 50  
**Number of Questions to be attempted :** 40  
**Section Marks :** 200  
**Enable Mark as Answered Mark for Review and Clear Response :** Yes  
**Maximum Instruction Time :** 0  
**Sub-Section Number :** 1  
**Sub-Section Id :** 4855842522  
**Question Shuffling Allowed :** No  
**Is Section Default? :** null  
**Sub-Section Number :** 2  
**Sub-Section Id :** 4855842523  
**Question Shuffling Allowed :** No  
**Is Section Default? :** null  
**Sub-Section Number :** 3  
**Sub-Section Id :** 4855842524  
**Question Shuffling Allowed :** No  
**Is Section Default? :** null  
**Sub-Section Number :** 4  
**Sub-Section Id :** 4855842525  
**Question Shuffling Allowed :** Yes  
**Is Section Default? :** null

## Spanish

**Group Number :** 6  
**Group Id :** 485584773  
**Group Maximum Duration :** 45  
**Group Minimum Duration :** 45  
**Show Attended Group? :** No  
**Edit Attended Group? :** No  
**Break time :** 0  
**Group Marks :** 200  
**Is this Group for Examiner? :** No  
**Examiner permission :** Cant View  
**Show Progress Bar? :** No

## Spanish

**Section Id :** 485584891  
**Section Number :** 1  
**Section type :** Online  
**Mandatory or Optional :** Mandatory

|   |            |
|---|------------|
| <b>Number of Questions :</b>  | 50         |
| <b>Number of Questions to be attempted :</b>                        | 40         |
| <b>Section Marks :</b>  | 200        |
| <b>Enable Mark as Answered Mark for Review and Clear Response :</b> | Yes        |
| <b>Maximum Instruction Time :</b>                                   | 0          |
| <b>Sub-Section Number :</b>   | 1          |
| <b>Sub-Section Id :</b>   | 4855842526 |
| <b>Question Shuffling Allowed :</b>                                 | No         |
| <b>Is Section Default? :</b>  | null       |
| <b>Sub-Section Number :</b>   | 2          |
| <b>Sub-Section Id :</b>   | 4855842527 |
| <b>Question Shuffling Allowed :</b>                                 | No         |
| <b>Is Section Default? :</b>  | null       |
| <b>Sub-Section Number :</b>   | 3          |
| <b>Sub-Section Id :</b>   | 4855842528 |
| <b>Question Shuffling Allowed :</b>                                 | No         |
| <b>Is Section Default? :</b>  | null       |
| <b>Sub-Section Number :</b>   | 4          |
| <b>Sub-Section Id :</b>   | 4855842529 |
| <b>Question Shuffling Allowed :</b>                                 | Yes        |
| <b>Is Section Default? :</b>  | null       |

## **Anthropology**

|                                      |           |
|--------------------------------------|-----------|
| <b>Group Number :</b>                | 7         |
| <b>Group Id :</b>                    | 485584774 |
| <b>Group Maximum Duration :</b>      | 45        |
| <b>Group Minimum Duration :</b>      | 45        |
| <b>Show Attended Group? :</b>        | No        |
| <b>Edit Attended Group? :</b>        | No        |
| <b>Break time :</b>                  | 0         |
| <b>Group Marks :</b>                 | 200       |
| <b>Is this Group for Examiner? :</b> | No        |
| <b>Examiner permission :</b>         | Cant View |
| <b>Show Progress Bar? :</b>          | No        |

## **Anthropology**

|   |            |
|---|------------|
| <b>Section Id :</b>   | 485584892  |
| <b>Section Number :</b>   | 1          |
| <b>Section type :</b>   | Online     |
| <b>Mandatory or Optional :</b>                                      | Mandatory  |
| <b>Number of Questions :</b>  | 50         |
| <b>Number of Questions to be attempted :</b>                        | 40         |
| <b>Section Marks :</b>  | 200        |
| <b>Enable Mark as Answered Mark for Review and Clear Response :</b> | Yes        |
| <b>Maximum Instruction Time :</b>                                   | 0          |
| <b>Sub-Section Number :</b>   | 1          |
| <b>Sub-Section Id :</b>   | 4855842530 |
| <b>Question Shuffling Allowed :</b>                                 | Yes        |
| <b>Is Section Default? :</b>  | null       |

Question Number : 51 Question Id : 48558434206 Question Type : MCQ Option Shuffling : No Is Question Mandatory : No Calculator : None Response Time : N.A Think Time : N.A Minimum Instruction Time : 0

Correct Marks : 5 Wrong Marks : 1

Question Key Details :

| Key           | Value |
|---------------|-------|
| Comprehension | MCQ   |

The science of genetics is an important discipline which deals with the:

1. Study of organism in their natural habitat
2. Study of relation of humans and their culture
3. Study of heredity or mechanism of inheritance
4. Study of micro-organism

Options :

485584136821. 1  
485584136822. 2  
485584136823. 3  
485584136824. 4

Question Number : 51 Question Id : 48558434206 Question Type : MCQ Option Shuffling : No Is Question Mandatory : No Calculator : None Response Time : N.A Think Time : N.A Minimum Instruction Time : 0

Correct Marks : 5 Wrong Marks : 1

Question Key Details :

| Key           | Value |
|---------------|-------|
| Comprehension | MCQ   |

আনুবংশিক বিজ্ঞান হৈছে এটা গুৰুত্বপূৰ্ণ বিষয় যিয়ে কৰে:

1. জীৱৰ প্ৰাকৃতিক স্বভাৱৰ অধ্যয়ন
2. মানুহ আৰু সিহঁতৰ সংস্কৃতিৰ সম্বন্ধৰ বিষয়ে অধ্যয়ন
3. বংশগতি বা উত্তৰাধিকাৰৰ কৌশলৰ অধ্যয়ন
4. অনুজীৱৰ অধ্যয়ন

Options :

485584136821. 1  
485584136822. 2  
485584136823. 3  
485584136824. 4

Question Number : 52 Question Id : 48558434207 Question Type : MCQ Option Shuffling : No Is Question Mandatory : No Calculator : None Response Time : N.A Think Time : N.A Minimum Instruction Time : 0

Correct Marks : 5 Wrong Marks : 1

Question Key Details :

| Key           | Value |
|---------------|-------|
| Comprehension | MCQ   |

Scientists associated with rediscovery of Mendel's law were.

1. de Vries, Carrens and von Tschermak
2. Walter Sutton, Landsteiner and Theodore Boveri
3. Longdon Varies, James Watson and Mark Chose
4. Alfred Hershey, Peter Curtstein and Victor Hugo

**Options :**

485584136825. 1  
485584136826. 2  
485584136827. 3  
485584136828. 4

**Question Number : 52 Question Id : 48558434207 Question Type : MCQ Option Shuffling : No Is Question Mandatory : No Calculator : None Response Time : N.A Think Time : N.A Minimum Instruction Time : 0**

**Correct Marks : 5 Wrong Marks : 1**

**Question Key Details :**

| Key           | Value |
|---------------|-------|
| Comprehension | MCQ   |

মেণ্ডেলৰ সূত্ৰৰ পুনৰ আৱিষ্কাৰৰ লগত জড়িত বিজ্ঞানী কেইজন আছিল

1. দ্য ভ্ৰাইছ (de Vries), কেৰেণছ ( Carrens) আৰু ভন স্কাৰমেক ( von Tschermak)
2. ৱাল্টাৰ ছাটন (Walter Sutton), লেণ্ডষ্টেইনাৰ ( Landsteiner) আৰু থিঅ'দৰ বভেৰি (Theodore Boveri)
3. লংদন ভেৰিজ (Longdon Varies), জেমছ ৱাটছন (James Watson) আৰু মাৰ্ক চজ (Mark Chose)
4. আলফ্ৰেদ হাৰ্ছি (Alfred Hershey), পিটাৰ কাৰ্টষ্টেইন (Peter Curtstein) আৰু ভিক্টৰ হিউগ' (Victor Hugo)

**Options :**

485584136825. 1  
485584136826. 2  
485584136827. 3  
485584136828. 4

**Question Number : 53 Question Id : 48558434208 Question Type : MCQ Option Shuffling : No Is Question Mandatory : No Calculator : None Response Time : N.A Think Time : N.A Minimum Instruction Time : 0**

**Correct Marks : 5 Wrong Marks : 1**

**Question Key Details :**

| Key           | Value |
|---------------|-------|
| Comprehension | MCQ   |

The production of gametes by the parents, the formation of the Zygotes, the F1 and F2 plants can be understood from a diagram called as:

1. Mendel Square
2. Punnett Square
3. Watson Square
4. Francis Crick Square

**Options :**

485584136829. 1  
485584136830. 2  
485584136831. 3  
485584136832. 4

**Question Number : 53 Question Id : 48558434208 Question Type : MCQ Option Shuffling : No Is Question Mandatory : No Calculator : None Response Time : N.A Think Time : N.A Minimum Instruction Time : 0**

**Correct Marks : 5 Wrong Marks : 1**

**Question Key Details :**

| Key           | Value |
|---------------|-------|
| Comprehension | MCQ   |

পিতৃ-মাতৃৰদ্বাৰা জননকোষৰ সৃষ্টি, যোজনকোষৰ গঠন, F1 আৰু F2 উদ্ভিদৰ বিষয়ে বুজিব পৰা চিত্ৰটোত কোৱা হয়ঃ

1. মেণ্ডেল চতুষ্কোণ (বৰ্গ)
2. পুনেট চতুষ্কোণ (বৰ্গ)
3. ৱাটছন চতুষ্কোণ (বৰ্গ)
4. ফ্ৰান্সিচ ক্ৰিক চতুষ্কোণ (বৰ্গ)

**Options :**

485584136829. 1  
485584136830. 2  
485584136831. 3  
485584136832. 4

**Question Number : 54 Question Id : 48558434209 Question Type : MCQ Option Shuffling : No Is Question Mandatory : No Calculator : None Response Time : N.A Think Time : N.A Minimum Instruction Time : 0**

**Correct Marks : 5 Wrong Marks : 1**

**Question Key Details :**

| Key           | Value |
|---------------|-------|
| Comprehension | MCQ   |

The belief without scientific basis that some "races" are inferior to others is known as:

1. Ethnocentrism
2. Racism
3. Cultural relativism
4. Animatism

**Options :**

485584136833. 1  
485584136834. 2  
485584136835. 3  
485584136836. 4

**Question Number : 54 Question Id : 48558434209 Question Type : MCQ Option Shuffling : No Is Question Mandatory : No Calculator : None Response Time : N.A Think Time : N.A Minimum Instruction Time : 0**

**Correct Marks : 5 Wrong Marks : 1**

**Question Key Details :**

| Key           | Value |
|---------------|-------|
| Comprehension | MCQ   |

কিছুমান জাতি (race) আনতকৈ নিকুষ্ট বুলি ভবা বৈজ্ঞানিক ভিত্তি নথকা বিশ্বাসক কি বুলি জনা যায়ঃ

1. স্বজাতিবাদ
2. প্রজাতিবাদ
3. সাংস্কৃতিক আপেক্ষাবাদ
4. জীৱাত্মবাদ

**Options :**

485584136833. 1  
485584136834. 2  
485584136835. 3  
485584136836. 4

**Question Number : 55 Question Id : 48558434210 Question Type : MCQ Option Shuffling : No Is Question Mandatory : No Calculator : None Response Time : N.A Think Time : N.A Minimum Instruction Time : 0**

**Correct Marks : 5 Wrong Marks : 1**

**Question Key Details :**

| Key           | Value |
|---------------|-------|
| Comprehension | MCQ   |

The Fibrinogen has got some special features. It may cause clotting in whole blood by creating certain fibrous substances known as:

1. Clot
2. Lymph
3. PLASMA
4. Fibrin

**Options :**

485584136837. 1  
485584136838. 2  
485584136839. 3  
485584136840. 4

**Question Number : 55 Question Id : 48558434210 Question Type : MCQ Option Shuffling : No Is Question Mandatory : No Calculator : None Response Time : N.A Think Time : N.A Minimum Instruction Time : 0**

**Correct Marks : 5 Wrong Marks : 1**

**Question Key Details :**

| Key           | Value |
|---------------|-------|
| Comprehension | MCQ   |

ফিব্রিন'জেনৰ কিছুমান বিশেষ বৈশিষ্ট্য আছে। ই আঁহজাতীয় পদাৰ্থৰ সৃষ্টি কৰি তেজ গোট মৰাব (তেজ আতঞ্চন) পাৰে। এই আঁহজাতীয় পদাৰ্থক কোৱা হয়ঃ

1. ক্লট (আতঞ্চ)
2. লসিকা
3. প্লাজমা
4. ফাইব্রিন

**Options :**

485584136837. 1  
485584136838. 2  
485584136839. 3  
485584136840. 4

**Question Number : 56 Question Id : 48558434211 Question Type : MCQ Option Shuffling : No Is Question Mandatory : No Calculator : None Response Time : N.A Think Time : N.A Minimum Instruction Time : 0**

**Correct Marks : 5 Wrong Marks : 1**

**Question Key Details :**

| Key           | Value |
|---------------|-------|
| Comprehension | MCQ   |

Match List I with List II

| LIST I<br>Persons of blood<br>group |    | LIST II<br>Can receive blood from persons having<br>blood group |             |
|-------------------------------------|----|---|-------------|
| A.                                  | A  | I.  | O           |
| B.                                  | B  | II.   | A, B, AB, O |
| C.                                  | AB | III.  | B, O        |
| D.                                  | O  | IV.   | A, O        |

Choose the correct answer from the options given below:

1. A-IV, B-II, C-III, D-I
2. A-I, B-II, C-III, D-IV
3. A-IV, B-III, C-II, D-I
4. A-II, B-III, C-I, D-IV

Options :

485584136841. 1  
485584136842. 2  
485584136843. 3  
485584136844. 4

Question Number : 56 Question Id : 48558434211 Question Type : MCQ Option Shuffling : No Is Question Mandatory : No Calculator : None Response Time : N.A Think Time : N.A Minimum Instruction Time : 0

Correct Marks : 5 Wrong Marks : 1

Question Key Details :

| Key           | Value |
|---------------|-------|
| Comprehension | MCQ   |

তালিকা I ৰ লগত তালিকা II মিলোৱা

| তালিকা I<br>ব্যক্তিৰ ৰক্তদল |    | তালিকা II<br>যিজন ব্যক্তিৰ পৰা তেজ গ্ৰহণ কৰিব পাৰি তেওঁৰ<br>ৰক্তদল |             |
|-----------------------------|----|--|-------------|
| A.                          | A  | I.   | O           |
| B.                          | B  | II.  | A, B, AB, O |
| C.                          | AB | III.   | B, O        |
| D.                          | O  | IV.  | A, O        |

তলৰ বিকল্পসমূহৰ পৰা শুদ্ধ উত্তৰটো বাছি উলিওৱা

1. A-IV, B-II, C-III, D-I
2. A-I, B-II, C-III, D-IV
3. A-IV, B-III, C-II, D-I
4. A-II, B-III, C-I, D-IV

Options :



485584136841. 1  
485584136842. 2  
485584136843. 3  
485584136844. 4

**Question Number : 57 Question Id : 48558434212 Question Type : MCQ Option Shuffling : No Is Question Mandatory : No Calculator : None Response Time : N.A Think Time : N.A Minimum Instruction Time : 0**

**Correct Marks : 5 Wrong Marks : 1**

**Question Key Details :**

| Key           | Value |
|---------------|-------|
| Comprehension | MCQ   |

Write the following in chronological order beginning from the oldest to the newest.

- A. Microliths
- B. Copper - clay culture
- C. Core tool industry
- D. Flake tool culture
- E. Blade tool culture

Choose the correct answer from the options given below:

- 1. A, B, C, D, E
- 2. C, D, A, B, E
- 3. E, A, B, C, D
- 4. C, D, E, A, B

**Options :**

485584136845. 1  
485584136846. 2  
485584136847. 3  
485584136848. 4

**Question Number : 57 Question Id : 48558434212 Question Type : MCQ Option Shuffling : No Is Question Mandatory : No Calculator : None Response Time : N.A Think Time : N.A Minimum Instruction Time : 0**

**Correct Marks : 5 Wrong Marks : 1**

**Question Key Details :**

| Key           | Value |
|---------------|-------|
| Comprehension | MCQ   |

পুৰণিৰ পৰা আৰম্ভ কৰি নতুনলৈ ক্ৰমানুসাৰে তলৰবোৰ লিখা।

- ক্ষুদ্ৰ শিলাসঁজুলি
- তাম্ৰ-মৃত্তিকা সংস্কৃতি
- মূল (Core) সঁজুলি উদ্যোগ
- চলি সঁজুলি সংস্কৃতি
- ফলক সঁজুলি সংস্কৃতি

তলৰ বিকল্পসমূহৰ পৰা শুদ্ধ উত্তৰটো বাছি উলিওৱা

1. A, B, C, D, E
2. C, D, A, B, E
3. E, A, B, C, D
4. C, D, E, A, B

**Options :**

485584136845. 1
485584136846. 2
485584136847. 3
485584136848. 4

**Question Number : 58 Question Id : 48558434213 Question Type : MCQ Option Shuffling : No Is Question Mandatory : No Calculator : None Response Time : N.A Think Time : N.A Minimum Instruction Time : 0**

**Correct Marks : 5 Wrong Marks : 1**

**Question Key Details :**

| Key           | Value |
|---------------|-------|
| Comprehension | MCQ   |

To determine the genotype of a tall plant at  $F_2$  generation, Mendel crossed the tall plant from  $F_2$  generation with a dwarf plant. This he called as:

1. Monohybrid Cross
2. Dihybrid Cross
3. Back Cross
4. Test Cross

**Options :**

485584136849. 1
485584136850. 2
485584136851. 3
485584136852. 4

**Question Number : 58 Question Id : 48558434213 Question Type : MCQ Option Shuffling : No Is Question Mandatory : No Calculator : None Response Time : N.A Think Time : N.A Minimum Instruction Time : 0**

**Correct Marks : 5 Wrong Marks : 1**

**Question Key Details :**

| Key | Value |
|-----|-------|
|-----|-------|

$F_2$  জনুত এজোপা ওখ গছৰ জিনীয়ৰূপ নিৰ্ণয় কৰিবলৈ মেণ্ডলে  $F_2$  জনুৰ ওখ গছক এজোপা চাপৰ গছৰ লগত সংকৰণ কৰিছিল। তেওঁ ইয়াক কি বুলি কৈছিল?

1. একসংকৰ সংকৰণ
2. দ্বি-সংকৰ সংকৰণ
3. সংকৰপূৰ্বক সংকৰণ
4. পৰীক্ষণ সংকৰণ

**Options :**

485584136849. 1  
485584136850. 2  
485584136851. 3  
485584136852. 4

**Question Number : 59 Question Id : 48558434214 Question Type : MCQ Option Shuffling : No Is Question Mandatory : No Calculator : None Response Time : N.A Think Time : N.A Minimum Instruction Time : 0**

**Correct Marks : 5 Wrong Marks : 1**

**Question Key Details :**

| Key           | Value |
|---------------|-------|
| Comprehension | MCQ   |

Which of the following does not belong to the Mendel's law of inheritance.

1. Law of Dominance
2. Law of Segregation
3. Use and Disuse of organs
4. Law of Purity of gametes

**Options :**

485584136853. 1  
485584136854. 2  
485584136855. 3  
485584136856. 4

**Question Number : 59 Question Id : 48558434214 Question Type : MCQ Option Shuffling : No Is Question Mandatory : No Calculator : None Response Time : N.A Think Time : N.A Minimum Instruction Time : 0**

**Correct Marks : 5 Wrong Marks : 1**

**Question Key Details :**

| Key           | Value |
|---------------|-------|
| Comprehension | MCQ   |

তলৰ কোনটো মেণ্ডেলৰ বংশগতি সূত্রৰ অন্তৰ্ভুক্ত নহয়?

1. প্ৰৱলতাৰ সূত্র
2. পৃথকীকৰণ সূত্র
3. অংগৰ ব্যৱহাৰ আৰু অব্যৱহাৰ
4. জননকোষৰ শুদ্ধতাৰ সূত্র

**Options :**

485584136853. 1  
485584136854. 2  
485584136855. 3  
485584136856. 4

**Question Number : 60 Question Id : 48558434215 Question Type : MCQ Option Shuffling : No Is Question Mandatory : No Calculator : None Response Time : N.A Think Time : N.A Minimum Instruction Time : 0**

**Correct Marks : 5 Wrong Marks : 1**

**Question Key Details :**

| Key           | Value |
|---------------|-------|
| Comprehension | MCQ   |

Which of the following are considered as primary race ?

- A. Mongoloid
- B. Australoid
- C. Veddoid
- D. Negroid
- E. Caucasoid

Choose the correct answer from the options given below:

1. A, D and E only
2. A, B and C only
3. B, C and D only
4. C, D and E only

**Options :**

485584136857. 1  
485584136858. 2  
485584136859. 3  
485584136860. 4

**Question Number : 60 Question Id : 48558434215 Question Type : MCQ Option Shuffling : No Is Question Mandatory : No Calculator : None Response Time : N.A Think Time : N.A Minimum Instruction Time : 0**

**Correct Marks : 5 Wrong Marks : 1**

**Question Key Details :**

| Key           | Value |
|---------------|-------|
| Comprehension | MCQ   |

তলৰ কোনবোৰক মুখ্য প্রজাতি বুলি গন্য কৰা হয়?

- A. মংগোলীয়
- B. অষ্ট্ৰেলীয়
- C. ভেডিড
- D. নিগ্রা
- E. ককেছীয়

তলৰ বিকল্পসমূহৰ পৰা শুদ্ধ উত্তৰটো বাছি উলিওৱা

1. কেৱল A, D আৰু E
2. কেৱল A, B আৰু C
3. কেৱল B, C আৰু D
4. কেৱল C, D আৰু E

**Options :**

- 485584136857. 1
- 485584136858. 2
- 485584136859. 3
- 485584136860. 4

**Question Number : 61 Question Id : 48558434216 Question Type : MCQ Option Shuffling : No Is Question Mandatory : No Calculator : None Response Time : N.A Think Time : N.A Minimum Instruction Time : 0**

**Correct Marks : 5 Wrong Marks : 1**

**Question Key Details :**

| Key           | Value |
|---------------|-------|
| Comprehension | MCQ   |

Match List I with List II

| LIST I |                        | LIST II |                             |
|--------|------------------------|---------|-----------------------------|
| A.     | Anvil technique        | I.      | Swinging blow method        |
| B.     | Blade technique        | II.     | Negative Bulb of Percussion |
| C.     | Clactonian technique   | III.    | Blade Tools                 |
| D.     | Stone hammer technique | IV.     | Handaxes                    |

Choose the correct answer from the options given below:

1. A-IV, B-II, C-I, D-III
2. A-IV, B-III, C-I, D-II
3. A-I, B-II, C-III, D-IV
4. A-II, B-III, C-IV, D-I

**Options :**

- 485584136861. 1
- 485584136862. 2
- 485584136863. 3

485584136864. 4

Question Number : 61 Question Id : 48558434216 Question Type : MCQ Option Shuffling : No Is Question Mandatory : No Calculator : None Response Time : N.A Think Time : N.A Minimum Instruction Time : 0

Correct Marks : 5 Wrong Marks : 1

Question Key Details :

| Key           | Value |
|---------------|-------|
| Comprehension | MCQ   |

তালিকা I ৰ লগত তালিকা II মিলোৱা

| তালিকা I |                          | তালিকা II |                        |
|----------|--------------------------|-----------|------------------------|
| A.       | এনভিল প্ৰযুক্তি          | I.        | ডাঙৰ চলি সঁজুলি        |
| B.       | ফলক প্ৰযুক্তি            | II.       | আঘাত স্থিতি শূন্যাঞ্চল |
| C.       | ক্লেট্‌নিয়ান প্ৰযুক্তি  | III.      | ফলক সঁজুলি             |
| D.       | প্ৰস্তৰ হাতুৰী প্ৰযুক্তি | IV.       | হস্ত কুঠাৰ             |

তলৰ বিকল্পসমূহৰ পৰা শুদ্ধ উত্তৰটো বাছি উলিওৱা

1. A-IV, B-II, C-I, D-III
2. A-IV, B-III, C-I, D-II
3. A-I, B-II, C-III, D-IV
4. A-II, B-III, C-IV, D-I

Options :

485584136861. 1  
485584136862. 2  
485584136863. 3  
485584136864. 4

Question Number : 62 Question Id : 48558434217 Question Type : MCQ Option Shuffling : No Is Question Mandatory : No Calculator : None Response Time : N.A Think Time : N.A Minimum Instruction Time : 0

Correct Marks : 5 Wrong Marks : 1

Question Key Details :

| Key           | Value |
|---------------|-------|
| Comprehension | MCQ   |

The first metal used in the human culture to make various implements was:

1. Bronze
2. Iron
3. Zinc
4. Copper

Options :

485584136865. 1  
485584136866. 2  
485584136867. 3

**Question Number : 62 Question Id : 48558434217 Question Type : MCQ Option Shuffling : No Is Question Mandatory : No Calculator : None Response Time : N.A Think Time : N.A Minimum Instruction Time : 0**

**Correct Marks : 5 Wrong Marks : 1**

**Question Key Details :**

| Key           | Value |
|---------------|-------|
| Comprehension | MCQ   |

বিভিন্ন সঁজুলি তৈয়াৰ কৰিবলৈ মানৱ সংস্কৃতিত ব্যৱহৃত প্ৰথম ধাতুবিধ আছিলঃ

1. ব্ৰঞ্জ
2. লো
3. দস্তা
4. তাম

**Options :**

485584136865. 1  
485584136866. 2  
485584136867. 3  
485584136868. 4

**Question Number : 63 Question Id : 48558434218 Question Type : MCQ Option Shuffling : No Is Question Mandatory : No Calculator : None Response Time : N.A Think Time : N.A Minimum Instruction Time : 0**

**Correct Marks : 5 Wrong Marks : 1**

**Question Key Details :**

| Key           | Value |
|---------------|-------|
| Comprehension | MCQ   |

Chopper - Chopping comprises of which of the following types?

- A. Pebble tool
- B. Chopper
- C. Chopping
- D. Proto handaxe
- E. Points

Choose the correct answer from the options given below:

1. A, B, C, E only
2. B, C, D and E only
3. A, B, C and D only
4. A, B, and E only

**Options :**

485584136869. 1  
485584136870. 2  
485584136871. 3

485584136872.4

**Question Number : 63 Question Id : 48558434218 Question Type : MCQ Option Shuffling : No Is Question Mandatory : No Calculator : None Response Time : N.A Think Time : N.A Minimum Instruction Time : 0**

**Correct Marks : 5 Wrong Marks : 1**

**Question Key Details :**

| Key           | Value |
|---------------|-------|
| Comprehension | MCQ   |

তলৰ কোনবোৰ 'ঘাজনি-ঘাপদিয়া'ৰ অন্তৰ্ভুক্ত?

- A. গুটিশিল সজ্জুলি
- B. ঘাপনি সজ্জুলি
- C. ঘাপ দিয়া
- D. প্ৰট(আদি) হস্ত কুঠাৰ
- E. জোং

তলৰ বিকল্পসমূহৰ পৰা শুদ্ধ উত্তৰটো বাছি উলিওৱা

- 1. কেৱল A, B, C, E
- 2. কেৱল B, C, D আৰু E
- 3. কেৱল A, B, C আৰু D
- 4. কেৱল A, B, আৰু E

**Options :**

- 485584136869. 1
- 485584136870. 2
- 485584136871. 3
- 485584136872. 4

**Question Number : 64 Question Id : 48558434219 Question Type : MCQ Option Shuffling : No Is Question Mandatory : No Calculator : None Response Time : N.A Think Time : N.A Minimum Instruction Time : 0**

**Correct Marks : 5 Wrong Marks : 1**

**Question Key Details :**

| Key           | Value |
|---------------|-------|
| Comprehension | MCQ   |

\_\_\_\_\_ is believed to have dominated the Middle Palaeolithic stage of human culture.

- 1. Homo-sapien sapien
- 2. Narmada man
- 3. Neanderthal man
- 4. Homo erectus

**Options :**

- 485584136873. 1
- 485584136874. 2



485584136875.3

485584136876.4

**Question Number : 64 Question Id : 48558434219 Question Type : MCQ Option Shuffling : No Is Question Mandatory : No Calculator : None Response Time : N.A Think Time : N.A Minimum Instruction Time : 0**

**Correct Marks : 5 Wrong Marks : 1**

**Question Key Details :**

| Key           | Value |
|---------------|-------|
| Comprehension | MCQ   |

\_\_\_\_\_ য়ে মানৱ সংস্কৃতিৰ মধ্য প্ৰত্নপ্ৰস্তুৰ যুগক প্ৰভূত্ব কৰা বুলি বিশ্বাস কৰা হয়।

1. হ'ম' চেপিয়েন চেপিয়েন
2. নৰ্মদা মানৱ
3. নিয়োন্দাৰথাল মানৱ
4. হ'ম' ইৰেক্টাচ

**Options :**

485584136873.1

485584136874.2

485584136875.3

485584136876.4

**Question Number : 65 Question Id : 48558434220 Question Type : MCQ Option Shuffling : No Is Question Mandatory : No Calculator : None Response Time : N.A Think Time : N.A Minimum Instruction Time : 0**

**Correct Marks : 5 Wrong Marks : 1**

**Question Key Details :**

| Key           | Value |
|---------------|-------|
| Comprehension | MCQ   |

The earliest occurrence of Middle Palaeolithic cultural phase in India is dated around:

1. 1,00,000 BC
2. 10,000 BC
3. 36,000 BC
4. 3,60,000 BC

**Options :**

485584136877.1

485584136878.2

485584136879.3

485584136880.4

**Question Number : 65 Question Id : 48558434220 Question Type : MCQ Option Shuffling : No Is Question Mandatory : No Calculator : None Response Time : N.A Think Time : N.A Minimum Instruction Time : 0**

**Correct Marks : 5 Wrong Marks : 1**

**Question Key Details :**

| Key           | Value |
|---------------|-------|
| Comprehension | MCQ   |

ভাৰতত মধ্য প্ৰত্নপ্ৰস্তৰ যুগৰ সাংস্কৃতিক কালৰ প্ৰাৰম্ভিক আৰিভাব কেতিয়া হৈছিল?

1. 1,00,000 BC
2. 10,000 BC
3. 36,000 BC
4. 3,60,000 BC

**Options :**

485584136877. 1  
485584136878. 2  
485584136879. 3  
485584136880. 4

**Question Number : 66 Question Id : 48558434221 Question Type : MCQ Option Shuffling : No Is Question Mandatory : No Calculator : None Response Time : N.A Think Time : N.A Minimum Instruction Time : 0**

**Correct Marks : 5 Wrong Marks : 1**

**Question Key Details :**

| Key           | Value |
|---------------|-------|
| Comprehension | MCQ   |

The transitional period between Upper Palaeolithic and Neolithic is:

1. Lower Palaeolithic
2. Middle Palaeolithic
3. Mesolithic
4. Chalcolithic Culture

**Options :**

485584136881. 1  
485584136882. 2  
485584136883. 3  
485584136884. 4

**Question Number : 66 Question Id : 48558434221 Question Type : MCQ Option Shuffling : No Is Question Mandatory : No Calculator : None Response Time : N.A Think Time : N.A Minimum Instruction Time : 0**

**Correct Marks : 5 Wrong Marks : 1**

**Question Key Details :**

| Key           | Value |
|---------------|-------|
| Comprehension | MCQ   |

উচ্চ প্ৰত্ন প্ৰস্তৰ আৰু নৱপ্ৰস্তৰ যুগৰ মাজৰ সন্ধিকাল হৈছেঃ

1. নিম্ন প্ৰত্নপ্ৰস্তৰ যুগ
2. মধ্য প্ৰত্নপ্ৰস্তৰ যুগ
3. মধ্য প্ৰস্তৰ যুগ
4. কেলকলিথিক সংস্কৃতি

**Options :**

485584136881. 1  
485584136882. 2  
485584136883. 3  
485584136884. 4

**Question Number : 67 Question Id : 48558434222 Question Type : MCQ Option Shuffling : No Is Question Mandatory : No Calculator : None Response Time : N.A Think Time : N.A Minimum Instruction Time : 0**

**Correct Marks : 5 Wrong Marks : 1**

**Question Key Details :**

| Key           | Value |
|---------------|-------|
| Comprehension | MCQ   |

The earliest manifestation of Neolithic Culture in South India is seen at.

1. Burzahom
2. Bagor
3. Sanganakallu
4. Hathnora

**Options :**

485584136885. 1  
485584136886. 2  
485584136887. 3  
485584136888. 4

**Question Number : 67 Question Id : 48558434222 Question Type : MCQ Option Shuffling : No Is Question Mandatory : No Calculator : None Response Time : N.A Think Time : N.A Minimum Instruction Time : 0**

**Correct Marks : 5 Wrong Marks : 1**

**Question Key Details :**

| Key           | Value |
|---------------|-------|
| Comprehension | MCQ   |

দক্ষিণ ভাৰতত নৱপ্ৰস্তৰ যুগীয় সংস্কৃতিৰ প্ৰাৰম্ভিক আৱিৰ্ভাৱ ক'ত দেখা যায়?

1. বুৰ্জাহোম ( Burzahom)
2. বাগ'ৰ (Bagor)
3. সংগনাকল্লু
4. হাখনোৰা

**Options :**

485584136885. 1  
485584136886. 2  
485584136887. 3  
485584136888. 4

**Question Number : 68 Question Id : 48558434223 Question Type : MCQ Option Shuffling : No Is Question Mandatory : No Calculator : None Response Time : N.A Think Time : N.A Minimum Instruction Time : 0**

**Correct Marks : 5 Wrong Marks : 1**

**Question Key Details :**

| Key           | Value |
|---------------|-------|
| Comprehension | MCQ   |

Arrange the following in chronological order beginning with the oldest first.

- A. Lower Palaeolithic
- B. Neolithic
- C. Middle Palaeolithic
- D. Mesolithic
- E. Upper Palaeolithic

Choose the correct answer from the options given below:

1. A, B, C, D, E
2. B, D, C, E, A
3. A, C, E, D, B
4. A, E, B, C, D

**Options :**

485584136889. 1  
485584136890. 2  
485584136891. 3  
485584136892. 4

**Question Number : 68 Question Id : 48558434223 Question Type : MCQ Option Shuffling : No Is Question Mandatory : No Calculator : None Response Time : N.A Think Time : N.A Minimum Instruction Time : 0**

**Correct Marks : 5 Wrong Marks : 1**

**Question Key Details :**

| Key           | Value |
|---------------|-------|
| Comprehension | MCQ   |

প্রাচীনতমৰ পৰা আৰম্ভ কৰি ক্ৰমানুসাৰে তলৰবোৰ সজোৱা।

- A. নিম্ন প্ৰত্নপ্ৰস্তৰ যুগ
- B. নৱ প্ৰস্তৰ যুগ
- C. মধ্য প্ৰত্নপ্ৰস্তৰ যুগ
- D. মধ্যপ্ৰস্তৰ যুগ
- E. উচ্চ প্ৰত্নপ্ৰস্তৰ যুগ

তলৰ বিকল্পসমূহৰ পৰা শুদ্ধ উত্তৰটো বাছি উলিওৱা

- 1. A, B, C, D, E
- 2. B, D, C, E, A
- 3. A, C, E, D, B
- 4. A, E, B, C, D

**Options :**

- 485584136889. 1
- 485584136890. 2
- 485584136891. 3
- 485584136892. 4

**Question Number : 69 Question Id : 48558434224 Question Type : MCQ Option Shuffling : No Is Question Mandatory : No Calculator : None Response Time : N.A Think Time : N.A Minimum Instruction Time : 0**

**Correct Marks : 5 Wrong Marks : 1**

**Question Key Details :**

| Key           | Value |
|---------------|-------|
| Comprehension | MCQ   |

Which of the following statements are correct for S.C. Roy?

- A. He was a lawyer by profession
- B. He had a formal degree in anthropology
- C. He founded the journal, Eastern Anthropologist
- D. He was the first person to describe 'dhumkuria'
- E. He founded the journal, Man in India.

Choose the correct answer from the options given below:

- 1. A, C and E only
- 2. B, D and E only
- 3. A, D and E only
- 4. B, C and E only

**Options :**

- 485584136893. 1
- 485584136894. 2
- 485584136895. 3
- 485584136896. 4

Question Number : 69 Question Id : 48558434224 Question Type : MCQ Option Shuffling : No Is Question Mandatory : No Calculator : None Response Time : N.A Think Time : N.A Minimum Instruction Time : 0

Correct Marks : 5 Wrong Marks : 1

Question Key Details :

| Key           | Value |
|---------------|-------|
| Comprehension | MCQ   |

S.C. Roy ৰ বাবে তলৰ কোনবোৰ উক্তি শুদ্ধ?

- A. তেওঁ বৃত্তিত এজন উকিল আছিল
- B. তেওঁৰ নৃত্ত্ববিজ্ঞানত আনুষ্ঠানিক ডিগ্ৰী আছিল
- C. তেওঁ 'Eastern Anthropologist' নামৰ জাৰ্ণেলখন প্ৰতিষ্ঠা কৰিছিল
- D. তেওঁ 'dhumkuria' বৰ্ণনা কৰা প্ৰথমজন ব্যক্তি আছিল
- E. তেওঁ, 'Man in India' নামৰ জাৰ্ণেলখন প্ৰতিষ্ঠা কৰিছিল

তলৰ বিকল্পসমূহৰ পৰা শুদ্ধ উত্তৰটো বাছি উলিওৱা

- 1. কেৱল A, C আৰু E
- 2. কেৱল B, D আৰু E
- 3. কেৱল A, D আৰু E
- 4. কেৱল B, C আৰু E

Options :

- 485584136893. 1
- 485584136894. 2
- 485584136895. 3
- 485584136896. 4

Question Number : 70 Question Id : 48558434225 Question Type : MCQ Option Shuffling : No Is Question Mandatory : No Calculator : None Response Time : N.A Think Time : N.A Minimum Instruction Time : 0

Correct Marks : 5 Wrong Marks : 1

Question Key Details :

| Key           | Value |
|---------------|-------|
| Comprehension | MCQ   |

Arrange the following cultures in chronological order.

- A. Abbevillian
- B. Mousterian
- C. Chalcolithic
- D. Azilian
- E. Chatelperronian

Choose the correct answer from the options given below:

1. A, B, E, D, C
2. A, B, C, D, E
3. B, C, D, A, E
4. D, E, B, A, C

**Options :**

- 485584136897. 1
- 485584136898. 2
- 485584136899. 3
- 485584136900. 4

**Question Number : 70 Question Id : 48558434225 Question Type : MCQ Option Shuffling : No Is Question Mandatory : No Calculator : None Response Time : N.A Think Time : N.A Minimum Instruction Time : 0**

**Correct Marks : 5 Wrong Marks : 1**

**Question Key Details :**

| Key           | Value |
|---------------|-------|
| Comprehension | MCQ   |

কালক্রমানুসৰি তলৰবোৰ সজোৱা।

- A. এবোভিলীয়
- B. মুষ্টেৰীয়
- C. কেলকলিথিক
- D. এযিলীয়
- E. ছেটেপ্পেৰণীয়

তলৰ বিকল্পসমূহৰ পৰা শুদ্ধ উত্তৰটো বাছি উলিওৱা

1. A, B, E, D, C
2. A, B, C, D, E
3. B, C, D, A, E
4. D, E, B, A, C

**Options :**

- 485584136897. 1
- 485584136898. 2
- 485584136899. 3
- 485584136900. 4

Question Number : 71 Question Id : 48558434226 Question Type : MCQ Option Shuffling : No Is Question Mandatory : No Calculator : None Response Time : N.A Think Time : N.A Minimum Instruction Time : 0

Correct Marks : 5 Wrong Marks : 1

Question Key Details :

| Key           | Value |
|---------------|-------|
| Comprehension | MCQ   |

\_\_\_\_\_ describes the diverse economic arrangements developed by human being in different times and places.

1. Physical Anthropology
2. Archaeological Anthropology
3. Economic Anthropology
4. Linguistic Anthropology

Options :

485584136901. 1  
485584136902. 2  
485584136903. 3  
485584136904. 4

Question Number : 71 Question Id : 48558434226 Question Type : MCQ Option Shuffling : No Is Question Mandatory : No Calculator : None Response Time : N.A Think Time : N.A Minimum Instruction Time : 0

Correct Marks : 5 Wrong Marks : 1

Question Key Details :

| Key           | Value |
|---------------|-------|
| Comprehension | MCQ   |

\_\_\_\_\_ য়ে মানুহে বিভিন্ন সময়ত আৰু স্থানত বিকশিত কৰা বৈচিত্ৰময় অৰ্থনৈতিক ব্যৱস্থাৰ বৰ্ণনা কৰে।

1. আৱয়বিক নৃতত্ত্ববিজ্ঞান
2. পুৰাতাত্ত্বিক নৃতত্ত্ববিজ্ঞান
3. অৰ্থনৈতিক নৃতত্ত্ববিজ্ঞান
4. ভাষিক নৃতত্ত্ববিজ্ঞান

Options :

485584136901. 1  
485584136902. 2  
485584136903. 3  
485584136904. 4

Question Number : 72 Question Id : 48558434227 Question Type : MCQ Option Shuffling : No Is Question Mandatory : No Calculator : None Response Time : N.A Think Time : N.A Minimum Instruction Time : 0

Correct Marks : 5 Wrong Marks : 1

Question Key Details :

| Key | Value |
|-----|-------|
|-----|-------|



Arrange the following agricultural activities in order of their occurrence in the paddy cultivation.

- A. Threshing
- B. Sowing
- C. Harvesting
- D. Winnowing
- E. Protecting Plants

Choose the correct answer from the options given below:

- 1. A, B, C, D, E
- 2. E, D, B, C, A
- 3. B, E, C, A, D
- 4. C, D, E, B, A

**Options :**

- 485584136905. 1
- 485584136906. 2
- 485584136907. 3
- 485584136908. 4

**Question Number : 72 Question Id : 48558434227 Question Type : MCQ Option Shuffling : No Is Question Mandatory : No Calculator : None Response Time : N.A Think Time : N.A Minimum Instruction Time : 0**

**Correct Marks : 5 Wrong Marks : 1**

**Question Key Details :**

| Key           | Value |
|---------------|-------|
| Comprehension | MCQ   |

ধানখেতিত হোৱা ক্ৰমানুসৰি তলত দিয়া কৃষি কাৰ্যসমূহ সজোৱা

- A. মৰা
- B. বীজ সিঁচা
- C. শস্য চপোৱা
- D. বতাহ বোৱা
- E. উদ্ভিদক ৰক্ষা কৰা

তলৰ বিকল্পসমূহৰ পৰা শুদ্ধ উত্তৰটো বাছি উলিওৱা

- 1. A, B, C, D, E
- 2. E, D, B, C, A
- 3. B, E, C, A, D
- 4. C, D, E, B, A

**Options :**

- 485584136905. 1
- 485584136906. 2
- 485584136907. 3

**Question Number : 73 Question Id : 48558434228 Question Type : MCQ Option Shuffling : No Is Question Mandatory : No Calculator : None Response Time : N.A Think Time : N.A Minimum Instruction Time : 0**

**Correct Marks : 5 Wrong Marks : 1**

**Question Key Details :**

| Key           | Value |
|---------------|-------|
| Comprehension | MCQ   |

Match List I with List II

| LIST I |                                      | LIST II |                     |
|--------|--------------------------------------|---------|---------------------|
| A.     | Cultivation of fruits and vegetables | I.      | Community hunting   |
| B.     | Cultivation using plough and yoke    | II.     | Terrace cultivation |
| C.     | Hunting by a group of persons        | III.    | Plough cultivation  |
| D.     | Cultivation on hill slopes           | IV.     | Horticulture        |

Choose the correct answer from the options given below:

1. A-I, B-II, C-III, D-IV
2. A-I, B-IV, C-II, D-III
3. A-IV, B-III, C-II, D-I
4. A-IV, B-III, C-I, D-II

**Options :**

485584136909. 1  
 485584136910. 2  
 485584136911. 3  
 485584136912. 4

**Question Number : 73 Question Id : 48558434228 Question Type : MCQ Option Shuffling : No Is Question Mandatory : No Calculator : None Response Time : N.A Think Time : N.A Minimum Instruction Time : 0**

**Correct Marks : 5 Wrong Marks : 1**

**Question Key Details :**

| Key           | Value |
|---------------|-------|
| Comprehension | MCQ   |

তালিকা I ৰ লগত তালিকা II মিলোৱা

| তালিকা I |                                   | তালিকা II |                              |
|----------|-----------------------------------|-----------|------------------------------|
| A.       | ফল-মূল আৰু শাক-পাচলিৰ খেতি        | I.        | সম্প্ৰদায়ৰ চিকাৰ (সমূহীয়া) |
| B.       | নাঙল আৰু যোৰ ব্যৱহাৰ কৰি খেতি কৰা | II.       | টেৰেচ খেতি                   |
| C.       | ব্যক্তিৰ দল এটাৰ দ্বাৰা চিকাৰ কৰা | III.      | নাঙলৰ দ্বাৰা খেতি            |
| D.       | পাহাৰৰ ধালত খেতি কৰা              | IV.       | উদ্যানশস্য                   |

তলৰ বিকল্পসমূহৰ পৰা শুদ্ধ উত্তৰটো বাছি উলিওৱা

1. A-I, B-II, C-III, D-IV
2. A-I, B-IV, C-II, D-III
3. A-IV, B-III, C-II, D-I
4. A-IV, B-III, C-I, D-II

**Options :**

485584136909. 1  
485584136910. 2  
485584136911. 3  
485584136912. 4

**Question Number : 74 Question Id : 48558434229 Question Type : MCQ Option Shuffling : No Is Question Mandatory : No Calculator : None Response Time : N.A Think Time : N.A Minimum Instruction Time : 0**

**Correct Marks : 5 Wrong Marks : 1**

**Question Key Details :**

| Key           | Value |
|---------------|-------|
| Comprehension | MCQ   |

Food Gathering economy is not based on:

1. Gathering of fruits and roots
2. Horticulture
3. Hunting
4. Fishing

**Options :**

485584136913. 1  
485584136914. 2  
485584136915. 3  
485584136916. 4

**Question Number : 74 Question Id : 48558434229 Question Type : MCQ Option Shuffling : No Is Question Mandatory : No Calculator : None Response Time : N.A Think Time : N.A Minimum Instruction Time : 0**

**Correct Marks : 5 Wrong Marks : 1**

**Question Key Details :**

| Key           | Value |
|---------------|-------|
| Comprehension | MCQ   |

খাদ্য সংগ্ৰহৰ অৰ্থনীতি তলৰ কোনটোৰ ওপৰত ভিত্তি কৰি কৰা নহয়?

1. ফলমূল আৰু শিপাৰ সংগ্ৰহ
2. উদ্যানশস্য
3. চিকাৰ কৰা
4. মাছধৰা

**Options :**

485584136913. 1  
485584136914. 2  
485584136915. 3  
485584136916. 4

**Question Number : 75 Question Id : 48558434230 Question Type : MCQ Option Shuffling : No Is Question Mandatory : No Calculator : None Response Time : N.A Think Time : N.A Minimum Instruction Time : 0**

**Correct Marks : 5 Wrong Marks : 1**

**Question Key Details :**

| Key           | Value |
|---------------|-------|
| Comprehension | MCQ   |

In Arunachal Pradesh, Shifting Cultivation is called as.

1. Shyrti
2. Tekeonglu
3. Bogma
4. Adimik

**Options :**

485584136917. 1  
485584136918. 2  
485584136919. 3  
485584136920. 4

**Question Number : 75 Question Id : 48558434230 Question Type : MCQ Option Shuffling : No Is Question Mandatory : No Calculator : None Response Time : N.A Think Time : N.A Minimum Instruction Time : 0**

**Correct Marks : 5 Wrong Marks : 1**

**Question Key Details :**

| Key           | Value |
|---------------|-------|
| Comprehension | MCQ   |

অৰুণাচল প্ৰদেশত স্থানান্তৰিত খেতিকা কোৱা হয়ঃ

1. শৈতি
2. টেকেঅংলু
3. বগমা
4. আদিমিক

**Options :**

485584136917. 1  
485584136918. 2  
485584136919. 3  
485584136920. 4

**Question Number : 76 Question Id : 48558434231 Question Type : MCQ Option Shuffling : No Is Question Mandatory : No Calculator : None Response Time : N.A Think Time : N.A Minimum Instruction Time : 0**

**Correct Marks : 5 Wrong Marks : 1**

**Question Key Details :**

| Key           | Value |
|---------------|-------|
| Comprehension | MCQ   |

Mean annual temperature (in°C) is negative in which of the following biomes.

1. Deserts
2. Tropical forests
3. Arctic and Alpine tundra
4. Grasslands

**Options :**

485584136921. 1  
485584136922. 2  
485584136923. 3  
485584136924. 4

**Question Number : 76 Question Id : 48558434231 Question Type : MCQ Option Shuffling : No Is Question Mandatory : No Calculator : None Response Time : N.A Think Time : N.A Minimum Instruction Time : 0**

**Correct Marks : 5 Wrong Marks : 1**

**Question Key Details :**

| Key           | Value |
|---------------|-------|
| Comprehension | MCQ   |

Translation Mismatch

1. Deserts
2. Tropical forests
3. Arctic and Alpine tundra
4. Grasslands

**Options :**

- 485584136921. 1
- 485584136922. 2
- 485584136923. 3
- 485584136924. 4

**Question Number : 77 Question Id : 48558434232 Question Type : MCQ Option Shuffling : No Is Question Mandatory : No Calculator : None Response Time : N.A Think Time : N.A Minimum Instruction Time : 0**

**Correct Marks : 5 Wrong Marks : 1**

**Question Key Details :**

| Key           | Value |
|---------------|-------|
| Comprehension | MCQ   |

The micro-organisms like bacteria and fungi are called:

1. Autotrophs
2. Omnivore
3. Herbivores
4. Decomposers

**Options :**

- 485584136925. 1
- 485584136926. 2
- 485584136927. 3
- 485584136928. 4

**Question Number : 77 Question Id : 48558434232 Question Type : MCQ Option Shuffling : No Is Question Mandatory : No Calculator : None Response Time : N.A Think Time : N.A Minimum Instruction Time : 0**

**Correct Marks : 5 Wrong Marks : 1**

**Question Key Details :**

| Key           | Value |
|---------------|-------|
| Comprehension | MCQ   |

## Translation Mismatch

1. Autotrophs
2. Omnivore
3. Herbivores
4. Decomposers

### Options :

485584136925. 1  
485584136926. 2  
485584136927. 3  
485584136928. 4

**Question Number : 78 Question Id : 48558434233 Question Type : MCQ Option Shuffling : No Is Question Mandatory : No Calculator : None Response Time : N.A Think Time : N.A Minimum Instruction Time : 0**

**Correct Marks : 5 Wrong Marks : 1**

### Question Key Details :

| Key           | Value |
|---------------|-------|
| Comprehension | MCQ   |

### Match List I with List II

| LIST I |           | LIST II |             |
|--------|-----------|---------|-------------|
| A.     | Cow       | I.      | Omnivore    |
| B.     | Humans    | II.     | Carnivore   |
| C.     | Lion      | III.    | Detritivore |
| D.     | Earthworm | IV.     | Herbivore   |

Choose the correct answer from the options given below:

1. A-II, B-I, C-III, D-IV
2. A-IV, B-I, C-II, D-III
3. A-I, B-III, C-II, D-IV
4. A-I, B-II, C-III, D-IV

### Options :

485584136929. 1  
485584136930. 2  
485584136931. 3  
485584136932. 4

**Question Number : 78 Question Id : 48558434233 Question Type : MCQ Option Shuffling : No Is Question Mandatory : No Calculator : None Response Time : N.A Think Time : N.A Minimum Instruction Time : 0**

**Correct Marks : 5 Wrong Marks : 1**

### Question Key Details :

| Key           | Value |
|---------------|-------|
| Comprehension | MCQ   |

Translation Mismatch

Match List I with List II

| LIST I |           | LIST II |             |
|--------|-----------|---------|-------------|
| A.     | Cow       | I.      | Omnivore    |
| B.     | Humans    | II.     | Carnivore   |
| C.     | Lion      | III.    | Detritivore |
| D.     | Earthworm | IV.     | Herbivore   |

Choose the correct answer from the options given below:

1. A-II, B-I, C-III, D-IV
2. A-IV, B-I, C-II, D-III
3. A-I, B-III, C-II, D-IV
4. A-I, B-II, C-III, D-IV

**Options :**

- 485584136929. 1
- 485584136930. 2
- 485584136931. 3
- 485584136932. 4

**Question Number : 79 Question Id : 48558434234 Question Type : MCQ Option Shuffling : No Is Question Mandatory : No Calculator : None Response Time : N.A Think Time : N.A Minimum Instruction Time : 0**

**Correct Marks : 5 Wrong Marks : 1**

**Question Key Details :**

| Key           | Value |
|---------------|-------|
| Comprehension | MCQ   |

Itai - Itai disease among the people of Japan was primarily caused due to consumption of.

- A. Cadmium contaminated rice
- B. Cadmium contaminated water
- C. Cadmium Contaminated Fish
- D. Contaminated Milk

1. A and B only
2. B and C only
3. C and D only
4. A and D only

**Options :**

- 485584136933. 1
- 485584136934. 2
- 485584136935. 3
- 485584136936. 4



**Question Number : 79 Question Id : 48558434234 Question Type : MCQ Option Shuffling : No Is Question Mandatory : No Calculator : None Response Time : N.A Think Time : N.A Minimum Instruction Time : 0**

**Correct Marks : 5 Wrong Marks : 1**

**Question Key Details :**

| Key           | Value |
|---------------|-------|
| Comprehension | MCQ   |

Translation Mismatch

Itai - Itai disease among the people of Japan was primarily caused due to consumption of.

- A. Cadmium contaminated rice
- B. Cadmium contaminated water
- C. Cadmium Contaminated Fish
- D. Contaminated Milk

- 1. A and B only
- 2. B and C only
- 3. C and D only
- 4. A and D only

**Options :**

- 485584136933. 1
- 485584136934. 2
- 485584136935. 3
- 485584136936. 4

**Question Number : 80 Question Id : 48558434235 Question Type : MCQ Option Shuffling : No Is Question Mandatory : No Calculator : None Response Time : N.A Think Time : N.A Minimum Instruction Time : 0**

**Correct Marks : 5 Wrong Marks : 1**

**Question Key Details :**

| Key           | Value |
|---------------|-------|
| Comprehension | MCQ   |

\_\_\_\_\_ is characterised by less prominent cheek bones and absence of fascial prognathism.

- 1. Causasoid
- 2. Negroid
- 3. Mongoloid
- 4. Australoid

**Options :**

- 485584136937. 1
- 485584136938. 2
- 485584136939. 3
- 485584136940. 4

**Question Number : 80 Question Id : 48558434235 Question Type : MCQ Option Shuffling : No Is Question Mandatory : No Calculator : None Response Time : N.A Think Time : N.A Minimum Instruction Time : 0**

Correct Marks : 5 Wrong Marks : 1

Question Key Details :

| Key           | Value |
|---------------|-------|
| Comprehension | MCQ   |

Translation Mismatch

\_\_\_\_\_ is characterised by less prominent cheek bones and absence of fascial prognathism.

1. Causasoid
2. Negroid
3. Mongoloid
4. Australoid

Options :

485584136937. 1  
485584136938. 2  
485584136939. 3  
485584136940. 4

Question Number : 81 Question Id : 48558434236 Question Type : MCQ Option Shuffling : No Is Question Mandatory : No Calculator : None Response Time : N.A Think Time : N.A Minimum Instruction Time : 0

Correct Marks : 5 Wrong Marks : 1

Question Key Details :

| Key           | Value |
|---------------|-------|
| Comprehension | MCQ   |

A family which one sets up after one's marriage is called as.

1. Family of orientation
2. Family of origin
3. Family of procreation
4. Family of happiness

Options :

485584136941. 1  
485584136942. 2  
485584136943. 3  
485584136944. 4

Question Number : 81 Question Id : 48558434236 Question Type : MCQ Option Shuffling : No Is Question Mandatory : No Calculator : None Response Time : N.A Think Time : N.A Minimum Instruction Time : 0

Correct Marks : 5 Wrong Marks : 1

Question Key Details :

| Key           | Value |
|---------------|-------|
| Comprehension | MCQ   |

বিয়াৰ পিছত যিটো পৰিয়াল গঢ়ি তোলে সেই পৰিয়ালক কোৱা হয়ঃ

1. অনুস্থাপন পৰিয়াল
2. উৎপত্তি স্থলৰ পৰিয়াল
3. প্ৰজননৰ পৰিয়াল
4. সুখী পৰিয়াল

**Options :**

485584136941. 1  
485584136942. 2  
485584136943. 3  
485584136944. 4

**Question Number : 82 Question Id : 48558434237 Question Type : MCQ Option Shuffling : No Is Question Mandatory : No Calculator : None Response Time : N.A Think Time : N.A Minimum Instruction Time : 0**

**Correct Marks : 5 Wrong Marks : 1**

**Question Key Details :**

| Key           | Value |
|---------------|-------|
| Comprehension | MCQ   |

\_\_\_\_\_ is one form of unilineal descent, where males trace ancestry through males and females through females.

1. Double unilineal descent
2. Ambilineal descent
3. Parallel descent
4. Double descent

**Options :**

485584136945. 1  
485584136946. 2  
485584136947. 3  
485584136948. 4

**Question Number : 82 Question Id : 48558434237 Question Type : MCQ Option Shuffling : No Is Question Mandatory : No Calculator : None Response Time : N.A Think Time : N.A Minimum Instruction Time : 0**

**Correct Marks : 5 Wrong Marks : 1**

**Question Key Details :**

| Key           | Value |
|---------------|-------|
| Comprehension | MCQ   |

হৈছে একবৈথিক বংশানুক্ৰমৰ এটা ৰূপ য'ত পুৰুষে পুৰুষৰ জড়িয়তে আৰু মহিলাই মহিলাৰ জড়িয়তে বংশৰ সন্ধান কৰে।

1. দ্বি একবৈথিক বংশানুক্ৰম
2. সৈচ্ছিক বংশানুক্ৰম
3. সমান্তৰাল বংশানুক্ৰম
4. যুগ্ম বংশানুক্ৰম

**Options :**

485584136945. 1  
485584136946. 2  
485584136947. 3  
485584136948. 4

**Question Number : 83 Question Id : 48558434238 Question Type : MCQ Option Shuffling : No Is Question Mandatory : No Calculator : None Response Time : N.A Think Time : N.A Minimum Instruction Time : 0**

**Correct Marks : 5 Wrong Marks : 1**

**Question Key Details :**

| Key           | Value |
|---------------|-------|
| Comprehension | MCQ   |

The type of family found among Gonds and Baigas is called as:

1. Polyandrous family
2. Fraternal family
3. Non-Fraternal family
4. Polygynous family

**Options :**

485584136949. 1  
485584136950. 2  
485584136951. 3  
485584136952. 4

**Question Number : 83 Question Id : 48558434238 Question Type : MCQ Option Shuffling : No Is Question Mandatory : No Calculator : None Response Time : N.A Think Time : N.A Minimum Instruction Time : 0**

**Correct Marks : 5 Wrong Marks : 1**

**Question Key Details :**

| Key           | Value |
|---------------|-------|
| Comprehension | MCQ   |

গণ্ড আৰু বাইছৰ মাজত পোৱা পৰিয়ালটোৰ প্ৰকাৰক কোৱা হয়:

1. বহুপতিক পৰিয়াল
2. ভাতৃক পৰিয়াল
3. অভাতৃক পৰিয়াল
4. বহুপত্নীক পৰিয়াল

**Options :**

485584136949. 1  
485584136950. 2  
485584136951. 3  
485584136952. 4

**Question Number : 84 Question Id : 48558434239 Question Type : MCQ Option Shuffling : No Is Question Mandatory : No Calculator : None Response Time : N.A Think Time : N.A Minimum Instruction Time : 0**

**Correct Marks : 5 Wrong Marks : 1**

**Question Key Details :**

| Key           | Value |
|---------------|-------|
| Comprehension | MCQ   |

Which of the following are not the features of family?

- A. It is an economic unit
- B. It is a secondary social group
- C. It is unlimited in size
- D. It is a socializing unit
- E. It is a social unit

Choose the correct answer from the options given below:

1. B and C only
2. C and D only
3. B and D only
4. D and E only

**Options :**

485584136953. 1  
485584136954. 2  
485584136955. 3  
485584136956. 4

**Question Number : 84 Question Id : 48558434239 Question Type : MCQ Option Shuffling : No Is Question Mandatory : No Calculator : None Response Time : N.A Think Time : N.A Minimum Instruction Time : 0**

**Correct Marks : 5 Wrong Marks : 1**

**Question Key Details :**

| Key           | Value |
|---------------|-------|
| Comprehension | MCQ   |

তলৰ কোনটো পৰিয়ালৰ বৈশিষ্ট্য নহয়?

- A. ই এটা অৰ্থনৈতিক একক
- B. ই এটা গৌণ সামাজিক সমষ্টি
- C. ইয়াৰ আকাৰ সীমাহীন
- D. ই এটা সামাজীকৰণ একক
- E. ই এটা সামাজিক একক

তলৰ বিকল্পসমূহৰ পৰা শুদ্ধ উত্তৰটো বাছনি কৰা

- 1. কেৱল B আৰু C
- 2. কেৱল C আৰু D
- 3. কেৱল B আৰু D
- 4. কেৱল D আৰু E

**Options :**

- 485584136953. 1
- 485584136954. 2
- 485584136955. 3
- 485584136956. 4

**Question Number : 85 Question Id : 48558434240 Question Type : MCQ Option Shuffling : No Is Question Mandatory : No Calculator : None Response Time : N.A Think Time : N.A Minimum Instruction Time : 0**

**Correct Marks : 5 Wrong Marks : 1**

**Question Key Details :**

| Key           | Value |
|---------------|-------|
| Comprehension | MCQ   |

Match List I with List II

| LIST I |             | LIST II |            |
|--------|-------------|---------|------------|
| A.     | Matrilineal | I.      | Agnatic    |
| B.     | Matrilocal  | II.     | Uxorilocal |
| C.     | Patrilineal | III.    | Virilocal  |
| D.     | Patrilocal  | IV.     | Uterine    |

Choose the correct answer from the options given below:

- 1. A-IV, B-III, C-II, D-I
- 2. A-I, B-II, C-III, D-IV
- 3. A-IV, B-II, C-I, D-III
- 4. A-I, B-IV, C-III, D-II

**Options :**

- 485584136957. 1
- 485584136958. 2
- 485584136959. 3

485584136960. 4

Question Number : 85 Question Id : 48558434240 Question Type : MCQ Option Shuffling : No Is Question Mandatory : No Calculator : None Response Time : N.A Think Time : N.A Minimum Instruction Time : 0

Correct Marks : 5 Wrong Marks : 1

Question Key Details :

| Key           | Value |
|---------------|-------|
| Comprehension | MCQ   |

ভালিকা I ৰ লগত ভালিকা II মিলোৱা

| ভালিকা I |              | ভালিকা II |            |
|----------|--------------|-----------|------------|
| A.       | মাতৃসূত্ৰী   | I.        | Agnatic    |
| B.       | পত্নীস্থানিক | II.       | Uxorilocal |
| C.       | পিতৃসূত্ৰী   | III.      | Virilocal  |
| D.       | পতিস্থানিক   | IV.       | Uterine    |

তলৰ বিকল্পসমূহৰ পৰা শুদ্ধ উত্তৰটো বাছি উলিওৱা

1. A-IV, B-III, C-II, D-I
2. A-I, B-II, C-III, D-IV
3. A-IV, B-II, C-I, D-III
4. A-I, B-IV, C-III, D-II

Options :

485584136957. 1  
485584136958. 2  
485584136959. 3  
485584136960. 4

Question Number : 86 Question Id : 48558434241 Question Type : MCQ Option Shuffling : No Is Question Mandatory : No Calculator : None Response Time : N.A Think Time : N.A Minimum Instruction Time : 0

Correct Marks : 5 Wrong Marks : 1

Question Key Details :

| Key           | Value |
|---------------|-------|
| Comprehension | MCQ   |

Who is revered as the Father of Ecology in India?

1. Kailash Satyarthi
2. Prof. W.H Pearsall
3. K.K. Misra
4. Ramdeo Misra

Options :

485584136961. 1  
485584136962. 2  
485584136963. 3

485584136964. 4

**Question Number : 86 Question Id : 48558434241 Question Type : MCQ Option Shuffling : No Is Question Mandatory : No Calculator : None Response Time : N.A Think Time : N.A Minimum Instruction Time : 0**

**Correct Marks : 5 Wrong Marks : 1**

**Question Key Details :**

| Key           | Value |
|---------------|-------|
| Comprehension | MCQ   |

Translston mismatch

Who is revered as the Father of Ecology in India?

1. Kailash Satyarthi
2. Prof. W.H Pearsall
3. K.K. Misra
4. Ramdeo Misra

**Options :**

- 485584136961. 1
- 485584136962. 2
- 485584136963. 3
- 485584136964. 4

**Question Number : 87 Question Id : 48558434242 Question Type : MCQ Option Shuffling : No Is Question Mandatory : No Calculator : None Response Time : N.A Think Time : N.A Minimum Instruction Time : 0**

**Correct Marks : 5 Wrong Marks : 1**

**Question Key Details :**

| Key           | Value |
|---------------|-------|
| Comprehension | MCQ   |

The percentage of oxygen in the atmosphere is \_\_\_\_\_.

1. 78.09%
2. 20.94%
3. 0.03%
4. 0.93%

**Options :**

- 485584136965. 1
- 485584136966. 2
- 485584136967. 3
- 485584136968. 4

**Question Number : 87 Question Id : 48558434242 Question Type : MCQ Option Shuffling : No Is Question Mandatory : No Calculator : None Response Time : N.A Think Time : N.A Minimum Instruction Time : 0**

**Correct Marks : 5 Wrong Marks : 1**

**Question Key Details :**



| Key           | Value |
|---------------|-------|
| Comprehension | MCQ   |

Translition mismatch

The percentage of oxygen in the atmosphere is \_\_\_\_\_.

1. 78.09%
2. 20.94%
3. 0.03%
4. 0.93%

**Options :**

- 485584136965. 1
- 485584136966. 2
- 485584136967. 3
- 485584136968. 4

**Question Number : 88 Question Id : 48558434243 Question Type : MCQ Option Shuffling : No Is Question Mandatory : No Calculator : None Response Time : N.A Think Time : N.A Minimum Instruction Time : 0**

**Correct Marks : 5 Wrong Marks : 1**

**Question Key Details :**

| Key           | Value |
|---------------|-------|
| Comprehension | MCQ   |

Which one of the following is an example of an aquatic ecosystem?

1. Forest ecosystem
2. Desert ecosystem
3. Pond ecosystem
4. Grassland ecosystem

**Options :**

- 485584136969. 1
- 485584136970. 2
- 485584136971. 3
- 485584136972. 4

**Question Number : 88 Question Id : 48558434243 Question Type : MCQ Option Shuffling : No Is Question Mandatory : No Calculator : None Response Time : N.A Think Time : N.A Minimum Instruction Time : 0**

**Correct Marks : 5 Wrong Marks : 1**

**Question Key Details :**

| Key           | Value |
|---------------|-------|
| Comprehension | MCQ   |

Translition mismatch

Which one of the following is an example of an aquatic ecosystem?

1. Forest ecosystem
2. Desert ecosystem
3. Pond ecosystem
4. Grassland ecosystem

**Options :**

485584136969. 1  
485584136970. 2  
485584136971. 3  
485584136972. 4

**Question Number : 89 Question Id : 48558434244 Question Type : MCQ Option Shuffling : No Is Question Mandatory : No Calculator : None Response Time : N.A Think Time : N.A Minimum Instruction Time : 0**

**Correct Marks : 5 Wrong Marks : 1**

**Question Key Details :**

| Key           | Value |
|---------------|-------|
| Comprehension | MCQ   |

Arrange the following in an order.

- A. Secondary consumer
- B. Detritus
- C. Primary consumer
- D. Primary producer
- E. Tertiary consumer

Choose the correct answer from the options given below:

1. D, A, B, C, E
2. B, C, A, D, E
3. A, E, C, D, B
4. D, C, A, E, B

**Options :**

485584136973. 1  
485584136974. 2  
485584136975. 3  
485584136976. 4

**Question Number : 89 Question Id : 48558434244 Question Type : MCQ Option Shuffling : No Is Question Mandatory : No Calculator : None Response Time : N.A Think Time : N.A Minimum Instruction Time : 0**

**Correct Marks : 5 Wrong Marks : 1**

**Question Key Details :**

| Key | Value |
|-----|-------|
|-----|-------|

Translston mismatch

Arrange the following in an order.

- A. Secondary consumer
- B. Detritus
- C. Primary consumer
- D. Primary producer
- E. Tertiary consumer

Choose the correct answer from the options given below:

- 1. D, A, B, C, E
- 2. B, C, A, D, E
- 3. A, E, C, D, B
- 4. D, C, A, E, B

**Options :**

- 485584136973. 1
- 485584136974. 2
- 485584136975. 3
- 485584136976. 4

**Question Number : 90 Question Id : 48558434245 Question Type : MCQ Option Shuffling : No Is Question Mandatory : No Calculator : None Response Time : N.A Think Time : N.A Minimum Instruction Time : 0**

**Correct Marks : 5 Wrong Marks : 1**

**Question Key Details :**

| Key           | Value |
|---------------|-------|
| Comprehension | MCQ   |

The smallest microscopic organism that are found on the surface of water bodies like pond, lake etc are known as:

- 1. Nektons
- 2. Phytoplankton
- 3. Floating plants
- 4. Terrestrial plants

**Options :**

- 485584136977. 1
- 485584136978. 2
- 485584136979. 3
- 485584136980. 4

**Question Number : 90 Question Id : 48558434245 Question Type : MCQ Option Shuffling : No Is Question Mandatory : No Calculator : None Response Time : N.A Think Time : N.A Minimum Instruction Time : 0**

**Correct Marks : 5 Wrong Marks : 1**

**Question Key Details :**

| Key           | Value |
|---------------|-------|
| Comprehension | MCQ   |

Translston mismatch

The smallest microscopic organism that are found on the surface of water bodies like pond, lake etc are known as:

1. Nektons
2. Phytoplankton
3. Floating plants
4. Terrestrial plants

**Options :**

485584136977. 1  
 485584136978. 2  
 485584136979. 3  
 485584136980. 4

**Sub-Section Number :** 2  
**Sub-Section Id :** 4855842531  
**Question Shuffling Allowed :** No  
**Is Section Default? :** null

**Question Number : 91 Question Id : 48558434246 Question Type : MCQ Option Shuffling : No Is Question Mandatory : No Calculator : None Response Time : N.A Think Time : N.A Minimum Instruction Time : 0**

**Correct Marks : 5 Wrong Marks : 1**

**Question Key Details :**

| Key           | Value |
|---------------|-------|
| Comprehension | Comp1 |

The Mismi built their houses on raised platform. A traditional Mismi house is built with materials like bamboo and straw. The walls are constructed with bamboo and the roof is thatched. A typical Mismi house consists of a big hall like room which accommodates all the family members. The area near the entrance acts as a portico and is used to entertain guests. Below the platform the rooms are kept. It also sometimes houses the pigs which they rear. Adjacent to their house they construct cattlesheds and coops for reaching fowls. The fire place is called as meram and is considered as a sacred place.

The walls of the Mising's house is constructed using

1. Mud bricks
2. Bamboo
3. Plywood
4. Bricks with Cement

**Options :**

485584136981. 1

485584136982. 2  
485584136983. 3  
485584136984. 4

**Question Number : 91 Question Id : 48558434246 Question Type : MCQ Option Shuffling : No Is Question Mandatory : No Calculator : None Response Time : N.A Think Time : N.A Minimum Instruction Time : 0**

**Correct Marks : 5 Wrong Marks : 1**

**Question Key Details :**

| Key           | Value |
|---------------|-------|
| Comprehension | Comp1 |

মিছিংসকলে উচ্চ বেদীত তেওঁলোকৰ ঘৰ সাজিছিল। এটা পৰম্পৰাগত মিছিং ঘৰ বাঁহ আৰুপ খেৰৰ দৰে সামগ্ৰীৰে নিৰ্মাণ কৰা হয়। বেৰবোৰ বাঁহেৰে নিৰ্মাণ কৰা হৈছে আৰু চালখন খেৰৰ দ্বাৰা নিৰ্মিত। এটা সাধাৰণ মিছিং ঘৰত এটা ডাঙৰ হলৰ দৰে কোঠা থাকে য'ত পৰিয়ালৰ সকলো সদস্যই ঠাই পায়। প্ৰৱেশদ্বাৰৰ ওচৰৰ অঞ্চলটোৱে পটিকো (বাৰাণ্ডা)ৰ কাম কৰে আৰু অতিথিসকলক আমোদ দিবলৈ ব্যৱহাৰ কৰা হয়। বেদীৰ তলত কোঠাবোৰ ৰখা হয়। ইয়াত কেতিয়াবা সিহঁতে পালন কৰা গাহৰিবোৰো থাকে। তেওঁলোকৰ ঘৰৰ কাষতে তেওঁলোকে গোহালি আৰু কুকুৰাৰ গড়াল নিৰ্মাণ কৰে। অগ্নিস্থলীক মেৰাম বুলি কোৱা হয় আৰু ইয়াক পবিত্ৰ স্থান বুলি গন্য কৰা হয়।

তলৰ কোনবোৰ ব্যৱহাৰ কৰি মিছিং ঘৰৰ বেৰবোৰ সজোৱা হয়?

1. বোকাৰ ইটা
2. বাঁহ
3. প্লাইউদ
4. চিমেন্টৰ ইটা

**Options :**

485584136981. 1  
485584136982. 2  
485584136983. 3  
485584136984. 4

**Question Number : 92 Question Id : 48558434247 Question Type : MCQ Option Shuffling : No Is Question Mandatory : No Calculator : None Response Time : N.A Think Time : N.A Minimum Instruction Time : 0**

**Correct Marks : 5 Wrong Marks : 1**

**Question Key Details :**

| Key           | Value |
|---------------|-------|
| Comprehension | Comp1 |

The Mismi built their houses on raised platform. A traditional Mismi house is built with materials like bamboo and straw. The walls are constructed with bamboo and the roof is thatched. A typical Mismi house consists of a big hall like room which accommodates all the family members. The area near the entrance acts as a portico and is used to entertain guests. Below the platform the rooms are kept. It also sometimes houses the pigs which they rear. Adjacent to their house they construct cattlesheds and coops for reaching fowls. The fire place is called as meram and is considered as a sacred place.

A traditional Mising house is built with materials like.

1. Bamboo and tree leaves
2. Straw and tree leaves
3. Straw and Bamboo
4. Tree leaves and grass

**Options :**

485584136985. 1  
485584136986. 2  
485584136987. 3  
485584136988. 4

**Question Number : 92 Question Id : 48558434247 Question Type : MCQ Option Shuffling : No Is Question Mandatory : No Calculator : None Response Time : N.A Think Time : N.A Minimum Instruction Time : 0**

**Correct Marks : 5 Wrong Marks : 1**

**Question Key Details :**

| Key           | Value |
|---------------|-------|
| Comprehension | Comp1 |

মিছিংসকলে উচ্চ বেদীত তেঙলোকৰ ঘৰ সাজিছিল। এটা পৰম্পৰাগত মিছিং ঘৰ বাঁহ আৰুপ খেৰৰ দৰে সামগ্ৰীৰে নিৰ্মাণ কৰা হয়। বেৰবোৰ বাঁহেৰে নিৰ্মাণ কৰা হৈছে আৰু চালখন খেৰৰ দ্বাৰা নিৰ্মিত। এটা সাধাৰণ মিছিং ঘৰত এটা ডাঙৰ হলৰ দৰে কোঠা থাকে য'ত পৰিয়ালৰ সকলো সদস্যই ঠাই পায়। প্ৰৱেশদ্বাৰৰ ওচৰৰ অঞ্চলটোৱে পটিকো (বাৰাণ্ডা)ৰ কাম কৰে আৰু অতিথিসকলক আমোদ দিবলৈ ব্যৱহাৰ কৰা হয়। বেদীৰ তলত কোঠাবোৰ ৰখা হয়। ইয়াত কেতিয়াবা সিহঁতে পালন কৰা গাহৰিবোৰো থাকে। তেঙলোকৰ ঘৰৰ কাষতে তেঙলোকে গোহালি আৰু কুকুৰাৰ গড়াল নিৰ্মাণ কৰে। অগ্নিস্থলীক মেৰাম বুলি কোৱা হয় আৰু ইয়াক পবিত্ৰ স্থান বুলি গন্য কৰা হয়।

এটা পৰম্পৰাগত মিছিং ঘৰ কিহেৰে সজোৱা হয়?

1. বাঁহ আৰু গছপাত
2. খেৰ আৰু গছপাত
3. খেৰ আৰু বাঁহ
4. গছপাত আৰু ঘাঁহ

**Options :**

485584136985. 1  
485584136986. 2  
485584136987. 3  
485584136988. 4

**Question Number : 93 Question Id : 48558434248 Question Type : MCQ Option Shuffling : No Is Question Mandatory : No Calculator : None Response Time : N.A Think Time : N.A Minimum Instruction Time : 0**

**Correct Marks : 5 Wrong Marks : 1**

**Question Key Details :**

| Key           | Value |
|---------------|-------|
| Comprehension | Comp1 |

The Mismi built their houses on raised platform. A traditional Mismi house is built with materials like bamboo and straw. The walls are constructed with bamboo and the roof is thatched. A typical Mismi house consists of a big hall like room which accommodates all the family members. The area near the entrance acts as a portico and is used to entertain guests. Below the platform the rooms are kept. It also sometimes houses the pigs which they rear. Adjacent to their house they construct cattlesheds and coops for reaching fowls. The fire place is called as meram and is considered as a sacred place.

\_\_\_\_\_ is a place called as meram and is considered as a sacred place in Misings.

1. Big hall
2. Fire place
3. Temple outside village
4. Mosque

**Options :**

485584136989. 1  
485584136990. 2  
485584136991. 3  
485584136992. 4

**Question Number : 93 Question Id : 48558434248 Question Type : MCQ Option Shuffling : No Is Question Mandatory : No Calculator : None Response Time : N.A Think Time : N.A Minimum Instruction Time : 0**

**Correct Marks : 5 Wrong Marks : 1**

**Question Key Details :**

| Key           | Value |
|---------------|-------|
| Comprehension | Comp1 |

মিছিংসকলে উচ্চ বেদীত তেওঁলোকৰ ঘৰ সাজিছিল। এটা পৰম্পৰাগত মিছিং ঘৰ বাঁহ আৰুপ খেৰৰ দৰে সামগ্ৰীৰে নিৰ্মাণ কৰা হয়। বেৰবোৰ বাঁহেৰে নিৰ্মাণ কৰা হৈছে আৰু চালখন খেৰৰ দ্বাৰা নিৰ্মিত। এটা সাধাৰণ মিছিং ঘৰত এটা ডাঙৰ হলৰ দৰে কোঠা থাকে য'ত পৰিয়ালৰ সকলো সদস্যই ঠাই পায়। প্ৰৱেশদ্বাৰৰ ওচৰৰ অঞ্চলটোৱে পটিকো (বাৰাণ্ডা)ৰ কাম কৰে আৰু অতিথিসকলক আমোদ দিবলৈ ব্যৱহাৰ কৰা হয়। বেদীৰ তলত কোঠাবোৰ ৰখা হয়। ইয়াত কেতিয়াবা সিহঁতে পালন কৰা গাহৰিবোৰো থাকে। তেওঁলোকৰ ঘৰৰ কাষতে তেওঁলোকে গোহালি আৰু কুকুৰাৰ গড়াল নিৰ্মাণ কৰে। অগ্নিস্থলীক মেৰাম বুলি কোৱা হয় আৰু ইয়াক পবিত্ৰ স্থান বুলি গন্য কৰা হয়।

মেৰাম বুলি কোৱা হয় আৰু ইয়াক মিচিঙত পবিত্ৰস্থান বুলি গন্য কৰা হয়।

1. ডাঙৰ হলঘৰ
2. অগ্নিস্থল
3. গাঁৱৰ বাহিৰৰ মন্দিৰ
4. মছজিদ

**Options :**

485584136989. 1  
485584136990. 2  
485584136991. 3  
485584136992. 4

**Question Number : 94 Question Id : 48558434249 Question Type : MCQ Option Shuffling : No Is Question Mandatory : No Calculator : None Response Time : N.A Think Time : N.A Minimum Instruction Time : 0**

**Correct Marks : 5 Wrong Marks : 1**

**Question Key Details :**

| Key           | Value |
|---------------|-------|
| Comprehension | Compl |

The Mismi built their houses on raised platform. A traditional Mismi house is built with materials like bamboo and straw. The walls are constructed with bamboo and the roof is thatched. A typical Mismi house consists of a big hall like room which accommodates all the family members. The area near the entrance acts as a portico and is used to entertain guests. Below the platform the rooms are kept. It also sometimes houses the pigs which they rear. Adjacent to their house they construct cattlesheds and coops for rearing fowls. The fire place is called as meram and is considered as a sacred place.

A big hall in a typical Misings house accomodates.

1. All the relatives of family
2. All the village members
3. All the Saints and Seers of family
4. All the family members

**Options :**

485584136993. 1  
485584136994. 2  
485584136995. 3  
485584136996. 4

**Question Number : 94 Question Id : 48558434249 Question Type : MCQ Option Shuffling : No Is Question Mandatory : No Calculator : None Response Time : N.A Think Time : N.A Minimum Instruction Time : 0**

**Correct Marks : 5 Wrong Marks : 1**

**Question Key Details :**

| Key | Value |
|-----|-------|
|-----|-------|



মিছিংসকলে উচ্চ বেদীত তেঙুলোকৰ ঘৰ সাজিছিল। এটা পৰম্পৰাগত মিছিং ঘৰ বাঁহ আৰুপ খেৰৰ দৰে সামগ্ৰীৰে নিৰ্মাণ কৰা হয়। বেৰবোৰ বাঁহেৰে নিৰ্মাণ কৰা হৈছে আৰু চালখন খেৰৰ দ্বাৰা নিৰ্মিত। এটা সাধাৰণ মিছিং ঘৰত এটা ডাঙৰ হলৰ দৰে কোঠা থাকে য'ত পৰিয়ালৰ সকলো সদস্যই ঠাই পায়। প্ৰৱেশদ্বাৰৰ ওচৰৰ অঞ্চলটোৱে পটিকো (বাৰাণ্ডা)ৰ কাম কৰে আৰু অতিথিসকলক আমোদ দিবলৈ ব্যৱহাৰ কৰা হয়। বেদীৰ তলত কোঠাবোৰ ৰখা হয়। ইয়াত কেতিয়াবা সিহঁতে পালন কৰা গাহৰিবোৰো থাকে। তেঙুলোকৰ ঘৰৰ কাষতে তেঙুলোকে গোহালি আৰু কুকুৰাৰ গড়াল নিৰ্মাণ কৰে। অগ্নিস্থলীক মেৰাম বুলি কোৱা হয় আৰু ইয়াক পবিত্ৰ স্থান বুলি গন্য কৰা হয়।

এটা সাধাৰণ মিছিং ঘৰৰ এটা ডাঙৰ হলৰ দৰে কোঠাই থকাৰ সুবিধা কৰি দিয়ে:

1. পৰিয়ালৰ সকলো আত্মীয়কে
2. সকলো গাৱৰ সদস্যকে
3. পৰিয়ালৰ সকলো সন্ত আৰু দৰ্শককে
4. পৰিয়ালৰ সকলো সদস্যকে

**Options :**

485584136993. 1  
 485584136994. 2  
 485584136995. 3  
 485584136996. 4

**Question Number : 95 Question Id : 48558434250 Question Type : MCQ Option Shuffling : No Is Question Mandatory : No Calculator : None Response Time : N.A Think Time : N.A Minimum Instruction Time : 0**

**Correct Marks : 5 Wrong Marks : 1**

**Question Key Details :**

| Key           | Value |
|---------------|-------|
| Comprehension | Comp1 |

The Mismi built their houses on raised platform. A traditional Mismi house is built with materials like bamboo and straw. The walls are constructed with bamboo and the roof is thatched. A typical Mismi house consists of a big hall like room which accommodates all the family members. The area near the entrance acts as a portico and is used to entertain guests. Below the platform the rooms are kept. It also sometimes houses the pigs which they rear. Adjacent to their house they construct cattlesheds and coops for rearing fowls. The fire place is called as meram and is considered as a sacred place.

The area near the entrance of 'Mising house act as portico and is used to entertain.

1. Family members
2. Guests
3. Friends and villagers
4. Karta of family

**Options :**

485584136997. 1  
485584136998. 2  
485584136999. 3  
485584137000. 4

**Question Number : 95 Question Id : 48558434250 Question Type : MCQ Option Shuffling : No Is Question Mandatory : No Calculator : None Response Time : N.A Think Time : N.A Minimum Instruction Time : 0**

**Correct Marks : 5 Wrong Marks : 1**

**Question Key Details :**

| Key           | Value |
|---------------|-------|
| Comprehension | Comp1 |

মিছিংসকলে উচ্চ বেদীত তেঙুলোকৰ ঘৰ সাজিছিল। এটা পৰম্পৰাগত মিছিং ঘৰ বাঁহ আৰুপ খেৰৰ দৰে সামগ্ৰীৰে নিৰ্মাণ কৰা হয়। বেৰবোৰ বাঁহেৰে নিৰ্মাণ কৰা হৈছে আৰু চালখন খেৰৰ দ্বাৰা নিৰ্মিত। এটা সাধাৰণ মিছিং ঘৰত এটা ডাঙৰ হলৰ দৰে কোঠা থাকে য'ত পৰিয়ালৰ সকলো সদস্যই ঠাই পায়। প্ৰৱেশদ্বাৰৰ ওচৰৰ অঞ্চলটোৱে পটিকো (বাৰাণ্ডা)ৰ কাম কৰে আৰু অতিথিসকলক আমোদ দিবলৈ ব্যৱহাৰ কৰা হয়। বেদীৰ তলত কোঠাবোৰ ৰখা হয়। ইয়াত কেতিয়াবা সিহঁতে পালন কৰা গাহৰিবোৰো থাকে। তেঙুলোকৰ ঘৰৰ কাষতে তেঙুলোকে গোহালি আৰু কুকুৰাৰ গড়াল নিৰ্মাণ কৰে। অগ্নিস্থলীক মেৰাম বুলি কোৱা হয় আৰু ইয়াক পবিত্ৰ স্থান বুলি গন্য কৰা হয়।

প্ৰৱেশদ্বাৰৰ ওচৰৰ অঞ্চলটোৱে পটিকো (বাৰাণ্ডা) হিচাবে কাম কৰে আৰু ইয়াক কাৰ বাবে আমোদ দিবলৈ ব্যৱহাৰ কৰা হয়?

1. পৰিয়ালৰ সদস্যসকলক
2. অতিথিসকলক
3. বন্ধুবান্ধৱী আৰু গাওঁবাসীসকলক
4. পৰিয়ালৰ কৰ্তাসকলক

**Options :**

485584136997. 1  
485584136998. 2  
485584136999. 3  
485584137000. 4

**Sub-Section Number :**

3

**Sub-Section Id :**

4855842532

**Question Shuffling Allowed :**

No

**Is Section Default? :**

null

**Question Number : 96 Question Id : 48558434251 Question Type : MCQ Option Shuffling : No Is Question Mandatory : No Calculator : None Response Time : N.A Think Time : N.A Minimum Instruction Time : 0**

**Correct Marks : 5 Wrong Marks : 1**

**Question Key Details :**

| Key           | Value |
|---------------|-------|
| Comprehension | Comp2 |

The French established cocoa and coffee plantations in West Africa. The British set up large tea gardens in India and Sri Lanka, rubber plantation in Malaysia, and Sugarcane and banana plantations in West Indies. Spanish and Americans invested heavily in coconut and sugarcane plantations in the Philippines. The Dutch once had monopoly over Sugarcane plantations in Indonesia. Some Coffee Fazendar (large plantation) in Brazil are still managed by Europeans. Today, ownership of the majority of plantations have passed into the hands of the government or the nationals of the countries concerned.

The British set up large \_\_\_\_\_ in India and Sri Lanka.

1. Rubber plantation
2. Sugarcane plantation
3. Banana gardens
4. Tea gardens

**Options :**

485584137001. 1  
485584137002. 2  
485584137003. 3  
485584137004. 4

**Question Number : 96 Question Id : 48558434251 Question Type : MCQ Option Shuffling : No Is Question Mandatory : No Calculator : None Response Time : N.A Think Time : N.A Minimum Instruction Time : 0**

**Correct Marks : 5 Wrong Marks : 1**

**Question Key Details :**

| Key           | Value |
|---------------|-------|
| Comprehension | Comp2 |

ফৰাচীসকলে পশ্চিম আফ্ৰিকাত ক'ক' আৰু কফি বাগিচা স্থাপন কৰিছিল। ইংৰাজসকলে ভাৰত আৰু শ্ৰীলংকাত বৃহৎ চাহ বাগিছা, মালয়েছিয়াত ৰবৰ বাগিচা, বেষ্ট ইণ্ডিজত কুঁহিয়াৰ আৰু কলৰ বাগিচা স্থাপন কৰিছিল। স্পেনিছ আৰু আমেৰিকানসকলে ফিলিপাইনছত নাৰিকল আৰু কুঁহিয়াৰ বাগিছাত যথেষ্ট বিনিয়োগ কৰিছিল। এসময়ত ইণ্ডোনেছিয়াত কুঁহিয়াৰ বাগিছাৰ ওপৰত ডাচসকলৰ একচেটিয়া অধিকাৰ আছিল। ব্ৰাজিলৰ কিছুমান কফি ফাজেণ্ডাৰ (বৃহৎ বাগিছা) এতিয়াও ইউৰোপীয়ানসকলে পৰিচালনা কৰে। আজি গৰিষ্ঠসংখ্যক বাগিছাৰ মালিকীস্বত্ব চৰকাৰ বা সংশ্লিষ্ট দেশৰ নাগৰিকৰ হাতলৈ গৈছে।

ভাৰত আৰু শ্ৰীলংকাত ইংৰাজসকলে বৃহৎ \_\_\_\_\_

1. ৰবৰ বাগিছা
2. কুঁহিয়াৰ বাগিচা
3. কলৰ বাগিচা
4. চাহ বাগিচা

**Options :**

485584137001. 1  
485584137002. 2

485584137003. 3

485584137004. 4

**Question Number : 97 Question Id : 48558434252 Question Type : MCQ Option Shuffling : No Is Question Mandatory : No Calculator : None Response Time : N.A Think Time : N.A Minimum Instruction Time : 0**

**Correct Marks : 5 Wrong Marks : 1**

**Question Key Details :**

| Key           | Value |
|---------------|-------|
| Comprehension | Comp2 |

The French established cocoa and coffee plantations in West Africa. The British set up large tea gardens in India and Sri Lanka, rubber plantation in Malaysia, and Sugarcane and banana plantations in West Indies. Spanish and Americans invested heavily in coconut and sugarcane plantations in the Philippines. The Dutch once had monopoly over Sugarcane plantations in Indonesia. Some Coffee Fazendar (large plantation) in Brazil are still managed by Europeans. Today, ownership of the majority of plantations have passed into the hands of the government or the nationals of the countries concerned.

\_\_\_\_\_ once had monopoly over Sugarcane plantation in Indonesia.

1. French
2. Malaysia
3. Philippines
4. Dutch

**Options :**

485584137005. 1

485584137006. 2

485584137007. 3

485584137008. 4

**Question Number : 97 Question Id : 48558434252 Question Type : MCQ Option Shuffling : No Is Question Mandatory : No Calculator : None Response Time : N.A Think Time : N.A Minimum Instruction Time : 0**

**Correct Marks : 5 Wrong Marks : 1**

**Question Key Details :**

| Key           | Value |
|---------------|-------|
| Comprehension | Comp2 |

ফৰাচীসকলে পশ্চিম আফ্ৰিকাত ক'ক' আৰু কফি বাগিচা স্থাপন কৰিছিল। ইংৰাজসকলে ভাৰত আৰু শ্ৰীলংকাত বৃহৎ চাহ বাগিছা, মালয়েছিয়াত ববৰ বাগিচা, ৱেষ্ট ইণ্ডিজত কুঁহিয়াৰ আৰু কলৰ বাগিচা স্থাপন কৰিছিল। স্পেনিছ আৰু আমেৰিকানসকলে ফিলিপাইনছত নাৰিকল আৰু কুঁহিয়াৰ বাগিছাত যথেষ্ট বিনিয়োগ কৰিছিল। এসময়ত ইণ্ডোনেছিয়াত কুঁহিয়াৰ বাগিছাৰ ওপৰত ডাচসকলৰ একচেটিয়া অধিকাৰ আছিল। ব্ৰাজিলৰ কিছুমান কফি ফাজেণ্ডাৰ (বৃহৎ বাগিছা) এতিয়াও ইউৰোপীয়ানসকলে পৰিচালনা কৰে। আজি গৰিষ্ঠসংখ্যক বাগিছাৰ মালিকীস্বত্ব চৰকাৰ বা সংশ্লিষ্ট দেশৰ নাগৰিকৰ হাতলৈ গৈছে।

এসময়ত ইণ্ডোনেছিয়াত কুঁহিয়াৰ বাগিচাৰ ওপৰত \_\_\_\_\_ একচেটিয়া অধিকাৰ আছিল।

1. ফৰাচী
2. মালয়েছিয়া
3. ফিলিপাইনছ
4. ডাচ

**Options :**

485584137005. 1  
485584137006. 2  
485584137007. 3  
485584137008. 4

**Question Number : 98 Question Id : 48558434253 Question Type : MCQ Option Shuffling : No Is Question Mandatory : No Calculator : None Response Time : N.A Think Time : N.A Minimum Instruction Time : 0**

**Correct Marks : 5 Wrong Marks : 1**

**Question Key Details :**

| Key           | Value |
|---------------|-------|
| Comprehension | Comp2 |

The French established cocoa and coffee plantations in West Africa. The British set up large tea gardens in India and Sri Lanka, rubber plantation in Malaysia, and Sugarcane and banana plantations in West Indies. Spanish and Americans invested heavily in coconut and sugarcane plantations in the Philippines. The Dutch once had monopoly over Sugarcane plantations in Indonesia. Some Coffee Fazendar (large plantation) in Brazil are still managed by Europeans. Today, ownership of the majority of plantations have passed into the hands of the government or the nationals of the countries concerned.

The French established Cocoa and Coffee plantations in.

1. East Africa
2. West Africa
3. East America
4. South America

**Options :**

485584137009. 1  
485584137010. 2  
485584137011. 3  
485584137012. 4

**Question Number : 98 Question Id : 48558434253 Question Type : MCQ Option Shuffling : No Is Question Mandatory : No Calculator : None Response Time : N.A Think Time : N.A Minimum Instruction Time : 0**

**Correct Marks : 5 Wrong Marks : 1**

**Question Key Details :**

| Key | Value |
|-----|-------|
|-----|-------|

ফৰাচীসকলে পশ্চিম আফ্ৰিকাত ক'ক' আৰু কফি বাগিচা স্থাপন কৰিছিল। ইংৰাজসকলে ভাৰত আৰু শ্ৰীলংকাত বৃহৎ চাহ বাগিছা, মালয়েছিয়াত ৰবৰ বাগিচা, ৱেষ্ট ইণ্ডিজত কুঁহিয়াৰ আৰু কলৰ বাগিচা স্থাপন কৰিছিল। স্পেনিছ আৰু আমেৰিকানসকলে ফিলিপাইনছত নাৰিকল আৰু কুঁহিয়াৰ বাগিছাত যথেষ্ট বিনিয়োগ কৰিছিল। এসময়ত ইণ্ডোনেছিয়াত কুঁহিয়াৰ বাগিছাৰ ওপৰত ডাচসকলৰ একচেটিয়া অধিকাৰ আছিল। ব্ৰাজিলৰ কিছুমান কফি ফাজেণ্ডাৰ (বৃহৎ বাগিছা) এতিয়াও ইউৰোপীয়ানসকলে পৰিচালনা কৰে। আজি গৰিষ্ঠসংখ্যক বাগিছাৰ মালিকীস্বত্ব চৰকাৰ বা সংশ্লিষ্ট দেশৰ নাগৰিকৰ হাতলৈ গৈছে।

ফৰাচীসকলে ক'ক' আৰু কফিৰ বাগিচা \_\_\_\_\_ ত স্থাপন কৰিছিল।

1. পূব আফ্ৰিকা
2. পশ্চিম আফ্ৰিকা
3. পূব আমেৰিকা
4. দক্ষিণ আমেৰিকা

**Options :**

485584137009. 1  
485584137010. 2  
485584137011. 3  
485584137012. 4

**Question Number : 99 Question Id : 48558434254 Question Type : MCQ Option Shuffling : No Is Question Mandatory : No Calculator : None Response Time : N.A Think Time : N.A Minimum Instruction Time : 0**

**Correct Marks : 5 Wrong Marks : 1**

**Question Key Details :**

| Key           | Value |
|---------------|-------|
| Comprehension | Comp2 |

The French established cocoa and coffee plantations in West Africa. The British set up large tea gardens in India and Sri Lanka, rubber plantation in Malaysia, and Sugarcane and banana plantations in West Indies. Spanish and Americans invested heavily in coconut and sugarcane plantations in the Philippines. The Dutch once had monopoly over Sugarcane plantations in Indonesia. Some Coffee Fazendar (large plantation) in Brazil are still managed by Europeans. Today, ownership of the majority of plantations have passed into the hands of the government or the nationals of the countries concerned.

The British set up large sugarcane and banana plantations in.

1. India and Sri Lanka
2. Indonesia
3. West Indies
4. Spain

**Options :**

485584137013. 1  
485584137014. 2  
485584137015. 3  
485584137016. 4

**Question Number : 99 Question Id : 48558434254 Question Type : MCQ Option Shuffling : No Is Question Mandatory : No Calculator : None Response Time : N.A Think Time : N.A Minimum Instruction Time : 0**

**Correct Marks : 5 Wrong Marks : 1**

**Question Key Details :**

| Key           | Value |
|---------------|-------|
| Comprehension | Comp2 |

ফৰাচীসকলে পশ্চিম আফ্ৰিকাত ক'ক' আৰু কফি বাগিচা স্থাপন কৰিছিল। ইংৰাজসকলে ভাৰত আৰু শ্ৰীলংকাত বৃহৎ চাহ বাগিছা, মালয়েছিয়াত ববৰ বাগিচা, ৱেষ্ট ইণ্ডিজত কুঁহিয়াৰ আৰু কলৰ বাগিচা স্থাপন কৰিছিল। স্পেনিছ আৰু আমেৰিকানসকলে ফিলিপাইনছত নাৰিকল আৰু কুঁহিয়াৰ বাগিছাত যথেষ্ট বিনিয়োগ কৰিছিল। এসময়ত ইণ্ডোনেছিয়াত কুঁহিয়াৰ বাগিছাৰ ওপৰত ডাচসকলৰ একচেটিয়া অধিকাৰ আছিল। ব্ৰাজিলৰ কিছুমান কফি ফাজেণ্ডাৰ (বৃহৎ বাগিছা) এতিয়াও ইউৰোপীয়ানসকলে পৰিচালনা কৰে। আজি গৰিষ্ঠসংখ্যক বাগিছাৰ মালিকীস্বত্ব চৰকাৰ বা সংশ্লিষ্ট দেশৰ নাগৰিকৰ হাতলৈ গৈছে।

ইংৰাজসকলে \_\_\_\_\_ ত বৃহৎ কুঁহিয়াৰ আৰু কলৰ বাগিচা স্থাপন কৰিছিল।

1. ভাৰত আৰু শ্ৰীলংকা
2. ইণ্ডোনেছিয়া
3. ৱেষ্ট ইণ্ডিজ
4. স্পেন

**Options :**

485584137013. 1  
485584137014. 2  
485584137015. 3  
485584137016. 4

**Question Number : 100 Question Id : 48558434255 Question Type : MCQ Option Shuffling : No Is Question Mandatory : No Calculator : None Response Time : N.A Think Time : N.A Minimum Instruction Time : 0**

**Correct Marks : 5 Wrong Marks : 1**

**Question Key Details :**

| Key           | Value |
|---------------|-------|
| Comprehension | Comp2 |

The French established cocoa and coffee plantations in West Africa. The British set up large tea gardens in India and Sri Lanka, rubber plantation in Malaysia, and Sugarcane and banana plantations in West Indies. Spanish and Americans invested heavily in coconut and sugarcane plantations in the Philippines. The Dutch once had monopoly over Sugarcane plantations in Indonesia. Some Coffee Fazendar (large plantation) in Brazil are still managed by Europeans. Today, ownership of the majority of plantations have passed into the hands of the government or the nationals of the countries concerned.

Spanish and Americans invested heavily in \_\_\_\_\_ the Philippines.

- A. Banana plantation
- B. Rubber plantation
- C. Coconut plantation
- D. Sugarcane plantation
- E. Tea garden

Choose the correct answer from the options given below:

1. A and B only
2. B and D only
3. C and D only
4. D and E only

**Options :**

- 485584137017. 1
- 485584137018. 2
- 485584137019. 3
- 485584137020. 4

**Question Number : 100 Question Id : 48558434255 Question Type : MCQ Option Shuffling : No Is Question Mandatory : No Calculator : None Response Time : N.A Think Time : N.A Minimum Instruction Time : 0**

**Correct Marks : 5 Wrong Marks : 1**

**Question Key Details :**

| Key           | Value |
|---------------|-------|
| Comprehension | Comp2 |

ফৰাচীসকলে পশ্চিম আফ্ৰিকাত ক'কা আৰু কফি বাগিচা স্থাপন কৰিছিল। ইংৰাজসকলে ভাৰত আৰু শ্ৰীলংকাত বৃহৎ চাহ বাগিছা, মালয়েছিয়াত ৰবৰ বাগিচা, বেঙ্গ ইণ্ডিজত কুঁহিয়াৰ আৰু কলৰ বাগিচা স্থাপন কৰিছিল। স্পেনিছ আৰু আমেৰিকানসকলে ফিলিপাইনছত নাৰিকল আৰু কুঁহিয়াৰ বাগিছাত যথেষ্ট বিনিয়োগ কৰিছিল। এসময়ত ইণ্ডোনেছিয়াত কুঁহিয়াৰ বাগিছাৰ ওপৰত ডাচসকলৰ একচেটিয়া অধিকাৰ আছিল। ব্ৰাজিলৰ কিছুমান কফি ফাজেণ্ডাৰ (বৃহৎ বাগিছা) এতিয়াও ইউৰোপীয়ানসকলে পৰিচালনা কৰে। আজি গৰিষ্ঠসংখ্যক বাগিছাৰ মালিকীস্বত্ব চৰকাৰ বা সংশ্লিষ্ট দেশৰ নাগৰিকৰ হাতলৈ গৈছে।



স্পেনিছ আৰু আমেৰিকানসকলে ফিলিপাইনছত \_\_\_\_\_ ৰ ওপৰত যথেষ্ট বিনিয়োগ কৰিছিল।

- A. ৰবৰ বাগিচা
- B. নাৰিকল বাগিচা
- C. কুঁহিয়াৰ বাগিচা
- D. চাহ বাগিচা

তলৰ বিকল্পসমূহৰ পৰা শুদ্ধ উত্তৰটো বাছি উলিওৱা

- 1. কেৱল A আৰু B
- 2. কেৱল B আৰু D
- 3. কেৱল C আৰু D
- 4. কেৱল D আৰু E

**Options :**

- 485584137017. 1
- 485584137018. 2
- 485584137019. 3
- 485584137020. 4

## Engineering Graphics

|                               |           |
|-------------------------------|-----------|
| Group Number :                | 8         |
| Group Id :                    | 485584775 |
| Group Maximum Duration :      | 45        |
| Group Minimum Duration :      | 45        |
| Show Attended Group? :        | No        |
| Edit Attended Group? :        | No        |
| Break time :                  | 0         |
| Group Marks :                 | 200       |
| Is this Group for Examiner? : | No        |
| Examiner permission :         | Cant View |
| Show Progress Bar? :          | No        |

## Engineering Graphics

|  |            |
|--|------------|
| Section Id :   | 485584893  |
| Section Number :   | 1          |
| Section type :   | Online     |
| Mandatory or Optional :                                      | Mandatory  |
| Number of Questions :  | 50         |
| Number of Questions to be attempted :                        | 40         |
| Section Marks :  | 200        |
| Enable Mark as Answered Mark for Review and Clear Response : | Yes        |
| Maximum Instruction Time :                                   | 0          |
| Sub-Section Number :   | 1          |
| Sub-Section Id :   | 4855842533 |
| Question Shuffling Allowed :                                 | Yes        |

Is Section Default? :

null

Question Number : 101 Question Id : 48558434606 Question Type : MCQ Option Shuffling : No Is Question Mandatory : No Calculator : None Response Time : N.A Think Time : N.A Minimum Instruction Time : 0

Correct Marks : 5 Wrong Marks : 1

Question Key Details :

| Key           | Value |
|---------------|-------|
| Comprehension | MCQ   |

The view that gives inside details of an object is \_\_\_\_\_.

1. top view
2. front view
3. detailed view
4. sectional view

Options :

485584138421. 1  
485584138422. 2  
485584138423. 3  
485584138424. 4

Question Number : 101 Question Id : 48558434606 Question Type : MCQ Option Shuffling : No Is Question Mandatory : No Calculator : None Response Time : N.A Think Time : N.A Minimum Instruction Time : 0

Correct Marks : 5 Wrong Marks : 1

Question Key Details :

| Key           | Value |
|---------------|-------|
| Comprehension | MCQ   |

এটা বস্তুৰ ভিতৰৰ সকলোখিনি কোনটো দৃশ্যৰ দ্বাৰা দেখা যায়-

1. শীৰ্ষ দৃষ্টি
2. সন্মুখ দৃষ্টি
3. গোটেই দৃষ্টি
4. আংশিক দৃষ্টি

Options :

485584138421. 1  
485584138422. 2  
485584138423. 3  
485584138424. 4

Question Number : 102 Question Id : 48558434607 Question Type : MCQ Option Shuffling : No Is Question Mandatory : No Calculator : None Response Time : N.A Think Time : N.A Minimum Instruction Time : 0

Correct Marks : 5 Wrong Marks : 1

Question Key Details :

| Key | Value |
|-----|-------|
|-----|-------|

|               |     |
|---------------|-----|
| Comprehension | MCQ |
|---------------|-----|

In Perspective projection, object appears to converge at a point, called \_\_\_\_\_.

1. enlarged point
2. vanishing point
3. dimensional point
4. horizontal plane

**Options :**

485584138425. 1  
485584138426. 2  
485584138427. 3  
485584138428. 4

**Question Number : 102 Question Id : 48558434607 Question Type : MCQ Option Shuffling : No Is Question Mandatory : No Calculator : None Response Time : N.A Think Time : N.A Minimum Instruction Time : 0**

**Correct Marks : 5 Wrong Marks : 1**

**Question Key Details :**

| Key           | Value |
|---------------|-------|
| Comprehension | MCQ   |

Perspective viewত, কোনটো বিন্দুত বস্তুৰ পাক অন্তৰ্ভুক্ত হয়?

1. বৰ্ধিত বিন্দু
2. বিলয় বিন্দু
3. মাত্ৰিক বিন্দু
4. অনুভূমিক সমতল

**Options :**

485584138425. 1  
485584138426. 2  
485584138427. 3  
485584138428. 4

**Question Number : 103 Question Id : 48558434608 Question Type : MCQ Option Shuffling : No Is Question Mandatory : No Calculator : None Response Time : N.A Think Time : N.A Minimum Instruction Time : 0**

**Correct Marks : 5 Wrong Marks : 1**

**Question Key Details :**

| Key           | Value |
|---------------|-------|
| Comprehension | MCQ   |

A solid having two bases and rectangular faces is \_\_\_\_\_.

1. Pyramid
2. Sphere
3. Prism
4. Cylinder

**Options :**

485584138429. 1  
485584138430. 2  
485584138431. 3  
485584138432. 4

**Question Number : 103 Question Id : 48558434608 Question Type : MCQ Option Shuffling : No Is Question Mandatory : No Calculator : None Response Time : N.A Think Time : N.A Minimum Instruction Time : 0**

**Correct Marks : 5 Wrong Marks : 1**

**Question Key Details :**

| Key           | Value |
|---------------|-------|
| Comprehension | MCQ   |

দুটা ভিত্তি আৰু আয়তাকাৰ ফাল থকা কঠিন বস্তুটো হ'ব-

1. পিৰামিড
2. গোলক
3. প্ৰিজম
4. চিলিণ্ডাৰ বা চুঙাজাতীয়

**Options :**

485584138429. 1  
485584138430. 2  
485584138431. 3  
485584138432. 4

**Question Number : 104 Question Id : 48558434609 Question Type : MCQ Option Shuffling : No Is Question Mandatory : No Calculator : None Response Time : N.A Think Time : N.A Minimum Instruction Time : 0**

**Correct Marks : 5 Wrong Marks : 1**

**Question Key Details :**

| Key           | Value |
|---------------|-------|
| Comprehension | MCQ   |

The isometric projection of an object is \_\_\_\_\_ view projection.

1. double
2. single
3. multiple
4. triple

**Options :**

485584138433. 1  
485584138434. 2  
485584138435. 3  
485584138436. 4

**Question Number : 104 Question Id : 48558434609 Question Type : MCQ Option Shuffling : No Is Question Mandatory : No Calculator : None Response Time : N.A Think Time : N.A Minimum Instruction Time : 0**

**Correct Marks : 5 Wrong Marks : 1**

**Question Key Details :**

| Key           | Value |
|---------------|-------|
| Comprehension | MCQ   |

বস্তু এটাৰ সমমিতি প্ৰক্ষেপণ (isometric projection) হ'ল দৃষ্টিপক্ষেপণ (view projection)\_\_\_\_\_।

1. দুগুণ
2. এগুণ
3. বহুগুণ
4. তিনিগুণ

**Options :**

485584138433. 1  
485584138434. 2  
485584138435. 3  
485584138436. 4

**Question Number : 105 Question Id : 48558434610 Question Type : MCQ Option Shuffling : No Is Question Mandatory : No Calculator : None Response Time : N.A Think Time : N.A Minimum Instruction Time : 0**

**Correct Marks : 5 Wrong Marks : 1**

**Question Key Details :**

| Key           | Value |
|---------------|-------|
| Comprehension | MCQ   |

The isometric scale is used to obtain the \_\_\_\_\_ of the edges of any object to draw its isometric projection.

1. foreshortened length
2. enlarged length
3. true length
4. double length

**Options :**

485584138437. 1  
485584138438. 2  
485584138439. 3  
485584138440. 4

**Question Number : 105 Question Id : 48558434610 Question Type : MCQ Option Shuffling : No Is Question Mandatory : No Calculator : None Response Time : N.A Think Time : N.A Minimum Instruction Time : 0**

**Correct Marks : 5 Wrong Marks : 1**

**Question Key Details :**

| Key           | Value |
|---------------|-------|
| Comprehension | MCQ   |

সমমিতি (isometric) মূল যিকোনো বস্তুৰ সমমিতি প্ৰক্ষেপণ (isometric projection) অংকণ কৰিবলৈ ব্যৱহাৰ কৰা হয়।

1. পূৰ্ব সংক্ষিপ্ত দৈৰ্ঘ্য
2. বৰ্দ্ধিত দৈৰ্ঘ্য
3. প্ৰকৃত দৈৰ্ঘ্য
4. পূৰ্ণ আকাৰৰ দৈৰ্ঘ্য

**Options :**

485584138437. 1  
485584138438. 2  
485584138439. 3  
485584138440. 4

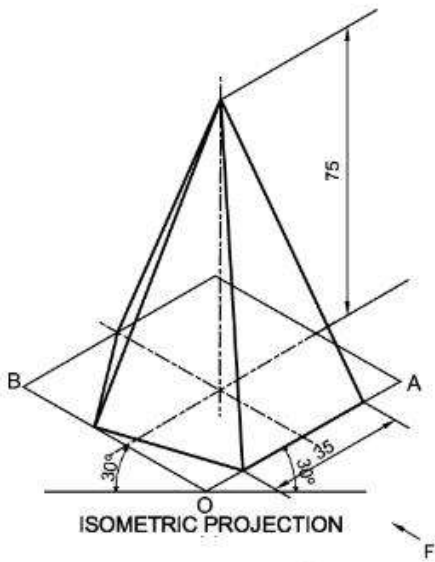
**Question Number : 106 Question Id : 48558434611 Question Type : MCQ Option Shuffling : No Is Question Mandatory : No Calculator : None Response Time : N.A Think Time : N.A Minimum Instruction Time : 0**

**Correct Marks : 5 Wrong Marks : 1**

**Question Key Details :**

| Key           | Value |
|---------------|-------|
| Comprehension | MCQ   |

Choose the **correct** option as per the given figure:



1. A hexagonal prism is resting on H.P. on its base.
2. A pentagonal prism is resting on H.P. on its base.
3. A pentagonal pyramid is resting on H.P. on its apex.
4. A pentagonal pyramid is resting on H.P. on its base.

**Options :**

- 485584138441. 1
- 485584138442. 2
- 485584138443. 3
- 485584138444. 4

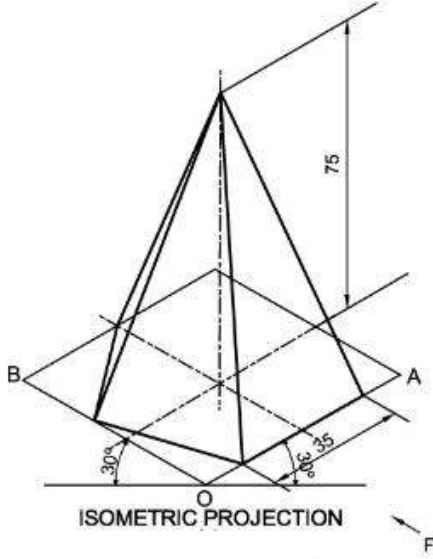
**Question Number : 106 Question Id : 48558434611 Question Type : MCQ Option Shuffling : No Is Question Mandatory : No Calculator : None Response Time : N.A Think Time : N.A Minimum Instruction Time : 0**

**Correct Marks : 5 Wrong Marks : 1**

**Question Key Details :**

| Key           | Value |
|---------------|-------|
| Comprehension | MCQ   |

তলৰ চিত্ৰৰ পৰা শুদ্ধ উক্তিটো বাছি উলিওৱা।



1. এটা ষড়ভূজীয় প্ৰিজমৰ গুৰি HPত থকা দেখা গৈছে
2. এটা পঞ্চভূজীয় প্ৰিজমৰ গুৰি HPত থকা দেখা গৈছে
3. এটা পঞ্চভূজীয় প্ৰিজম HPত তাৰ শিখৰত থকা দেখা গৈছে
4. এটা পঞ্চভূজীয় প্ৰিজমৰ গুৰি HPত থকা দেখা গৈছে

**Options :**

485584138441. 1  
485584138442. 2  
485584138443. 3  
485584138444. 4

**Question Number : 107 Question Id : 48558434612 Question Type : MCQ Option Shuffling : No Is Question Mandatory : No Calculator : None Response Time : N.A Think Time : N.A Minimum Instruction Time : 0**

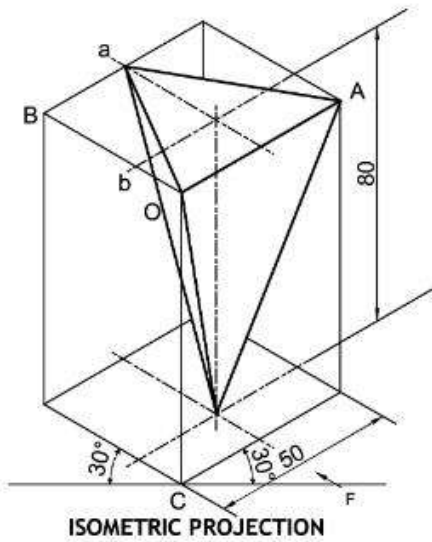
**Correct Marks : 5 Wrong Marks : 1**

**Question Key Details :**

| Key           | Value |
|---------------|-------|
| Comprehension | MCQ   |



Choose the **correct** option as per the given figure:



1. One of its base edges is perpendicular to V.P.
2. One of its base edges is parallel to V.P. and away from the observer.
3. One of its base edges is parallel to V.P. and nearer to the observer.
4. One of its base edges is perpendicular to H.P.

**Options :**

- 485584138445. 1
- 485584138446. 2
- 485584138447. 3
- 485584138448. 4

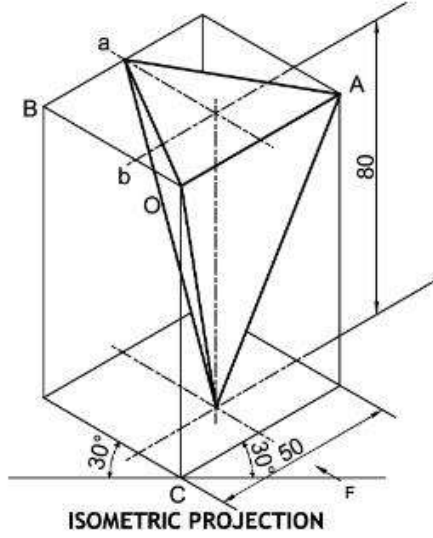
**Question Number : 107 Question Id : 48558434612 Question Type : MCQ Option Shuffling : No Is Question Mandatory : No Calculator : None Response Time : N.A Think Time : N.A Minimum Instruction Time : 0**

**Correct Marks : 5 Wrong Marks : 1**

**Question Key Details :**

| Key           | Value |
|---------------|-------|
| Comprehension | MCQ   |

তলৰ চিত্ৰৰ পৰা শুদ্ধ বিকল্পটো বাচি উলিওৱা।



1. ইয়াৰ এটা গুৰিৰ ফাল V.P. ত উলম্ব
2. ইয়াৰ এটা গুৰিৰ ফালত V.P. টো আনুভূমিক আৰু পৰ্যবেক্ষকৰ পৰা আঁতৰি আছে
3. ইয়াত এটা ফালত V.P. টো পৰ্যবেক্ষকটোৰ কাষত
4. ইয়াৰ এটাৰ গুৰিৰ ফাল HP ৰ উলম্ব

**Options :**

- 485584138445. 1
- 485584138446. 2
- 485584138447. 3
- 485584138448. 4

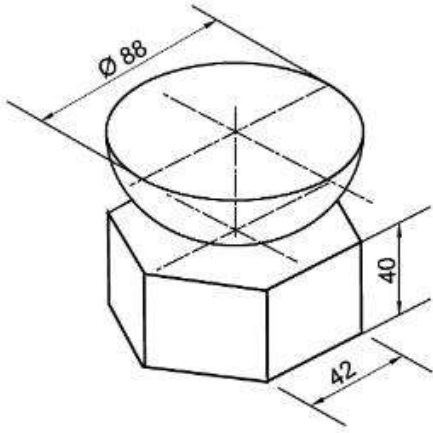
**Question Number : 108 Question Id : 48558434613 Question Type : MCQ Option Shuffling : No Is Question Mandatory : No Calculator : None Response Time : N.A Think Time : N.A Minimum Instruction Time : 0**

**Correct Marks : 5 Wrong Marks : 1**

**Question Key Details :**

| Key           | Value |
|---------------|-------|
| Comprehension | MCQ   |

Choose the **correct** option as per the given figure:



1. A hemisphere is resting on a hexagonal pyramid.
2. A hemisphere is resting on a hexagonal prism.
3. A sphere is resting on a pentagonal pyramid.
4. A sphere is resting on a hexagonal prism.

**Options :**

- 485584138449. 1
- 485584138450. 2
- 485584138451. 3
- 485584138452. 4

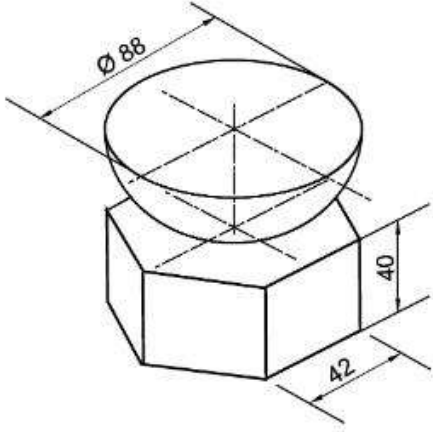
**Question Number : 108 Question Id : 48558434613 Question Type : MCQ Option Shuffling : No Is Question Mandatory : No Calculator : None Response Time : N.A Think Time : N.A Minimum Instruction Time : 0**

**Correct Marks : 5 Wrong Marks : 1**

**Question Key Details :**

| Key           | Value |
|---------------|-------|
| Comprehension | MCQ   |

তলত দিয়া চিত্ৰৰ পৰা শুদ্ধ উক্তিটো বাছি উলিওৱা।



1. এটা গোলার্ধ এটা ষড়ভূজীয় পিৰামিডত আছে
2. এটা গোলার্ধ এটা ষড়ভূজীয় প্ৰিজমত আছে
3. এটা গোলক এটা পঞ্চভূজীয় পিৰামিডত আছে
4. এটা গোলক এটা ষড়ভূজীয় পিৰামিডত আছে

**Options :**

485584138449. 1  
485584138450. 2  
485584138451. 3  
485584138452. 4

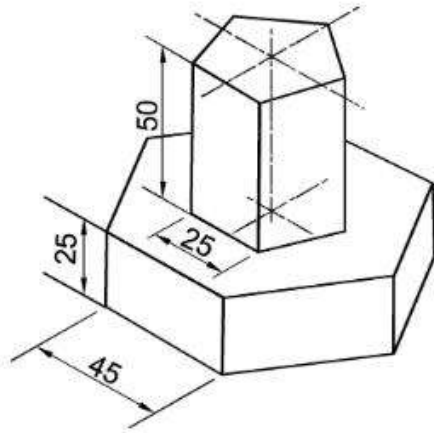
**Question Number : 109 Question Id : 48558434614 Question Type : MCQ Option Shuffling : No Is Question Mandatory : No Calculator : None Response Time : N.A Think Time : N.A Minimum Instruction Time : 0**

**Correct Marks : 5 Wrong Marks : 1**

**Question Key Details :**

| Key           | Value |
|---------------|-------|
| Comprehension | MCQ   |

How many rectangular faces are there in the given figure:



1. 9
2. 10
3. 11
4. 12

**Options :**

- 485584138453. 1
- 485584138454. 2
- 485584138455. 3
- 485584138456. 4

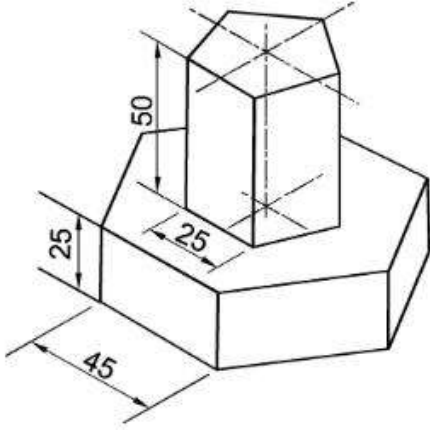
**Question Number : 109 Question Id : 48558434614 Question Type : MCQ Option Shuffling : No Is Question Mandatory : No Calculator : None Response Time : N.A Think Time : N.A Minimum Instruction Time : 0**

**Correct Marks : 5 Wrong Marks : 1**

**Question Key Details :**

| Key           | Value |
|---------------|-------|
| Comprehension | MCQ   |

তলৰ চিত্ৰটোত কিমান আয়তাকাৰ পৃষ্ঠ (face) আছে?



1. 9
2. 10
3. 11
4. 12

**Options :**

485584138453. 1  
485584138454. 2  
485584138455. 3  
485584138456. 4

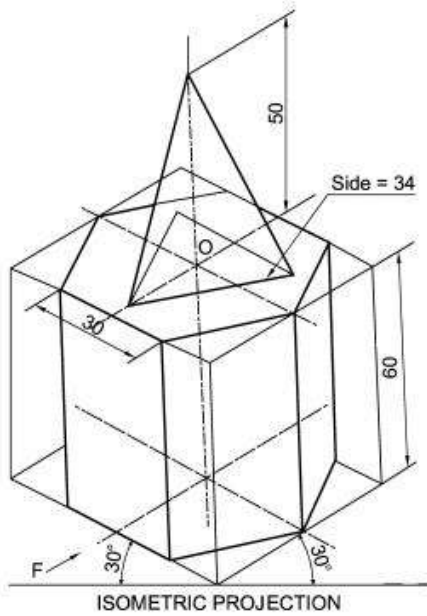
**Question Number : 110 Question Id : 48558434615 Question Type : MCQ Option Shuffling : No Is Question Mandatory : No Calculator : None Response Time : N.A Think Time : N.A Minimum Instruction Time : 0**

**Correct Marks : 5 Wrong Marks : 1**

**Question Key Details :**

| Key           | Value |
|---------------|-------|
| Comprehension | MCQ   |

Choose the **correct** option as per the given figure:



1. Axial height of isometric projection of combination of solids is 88 mm.
2. Axial height of isometric projection of combination of solids is 110 mm.
3. Axial height of isometric projection of combination of solids is 60 mm.
4. Axial height of isometric projection of combination of solids is 50 mm.

**Options :**

- 485584138457. 1
- 485584138458. 2
- 485584138459. 3
- 485584138460. 4

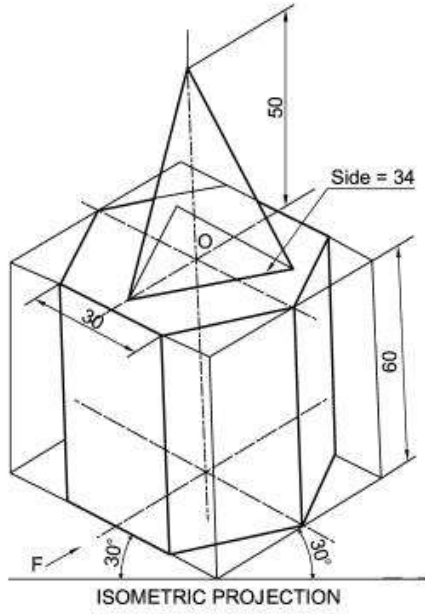
**Question Number : 110 Question Id : 48558434615 Question Type : MCQ Option Shuffling : No Is Question Mandatory : No Calculator : None Response Time : N.A Think Time : N.A Minimum Instruction Time : 0**

**Correct Marks : 5 Wrong Marks : 1**

**Question Key Details :**

| Key           | Value |
|---------------|-------|
| Comprehension | MCQ   |

তলৰ চিত্ৰটো চাই কঠিন বস্তুৰ কঠিন বস্তুৰ সমমিতীয় প্ৰক্ষেপন সম্পৰ্কে শুদ্ধ উত্তৰটো চিনাক্ত কৰা।



1. কঠিন বস্তুৰ সংমিশ্ৰণৰ সমমিতীয় প্ৰক্ষেপনৰ অক্ষীয় উচ্চতা হৈছে হৈছে 88 mm
2. কঠিন পদাৰ্থৰ আৰু অক্ষীয় উচ্চতা হৈছে 110 mm
3. কঠিন পদাৰ্থৰ সংমিশ্ৰণৰ সমমিতীয় প্ৰক্ষেপনৰ অক্ষীয় উচ্চতা হৈছে 60 mm
4. কঠিন পদাৰ্থৰ সংমিশ্ৰণৰ সমমিতীয় প্ৰক্ষেপনৰ অক্ষীয় উচ্চতা হৈছে 50 mm

**Options :**

485584138457. 1  
485584138458. 2  
485584138459. 3  
485584138460. 4

**Question Number : 111 Question Id : 48558434616 Question Type : MCQ Option Shuffling : No Is Question Mandatory : No Calculator : None Response Time : N.A Think Time : N.A Minimum Instruction Time : 0**

**Correct Marks : 5 Wrong Marks : 1**

**Question Key Details :**

| Key           | Value |
|---------------|-------|
| Comprehension | MCQ   |



In a Screw thread, theoretical depth (D) of the thread will be equal to \_\_\_\_\_.

1. (Major Diameter) – (Minor Diameter)
2.  $\frac{\{(Major\ Diameter) - (Minor\ Diameter)\}}{2}$
3.  $2 \times \{(Major\ Diameter) - (Minor\ Diameter)\}$
4. (Major Diameter) + (Minor Diameter)

**Options :**

485584138461. 1  
485584138462. 2  
485584138463. 3  
485584138464. 4

**Question Number : 111 Question Id : 48558434616 Question Type : MCQ Option Shuffling : No Is Question Mandatory : No Calculator : None Response Time : N.A Think Time : N.A Minimum Instruction Time : 0**

**Correct Marks : 5 Wrong Marks : 1**

**Question Key Details :**

| Key           | Value |
|---------------|-------|
| Comprehension | MCQ   |

এটা স্ক্রু থ্রেডত (Screw thread), তাত্ত্বিকভাৱে থ্রেড (thread)ৰ গভীৰতা \_\_\_\_\_ সমান।

1. (Major Diameter) – (Minor Diameter)
2.  $\frac{\{(Major\ Diameter) - (Minor\ Diameter)\}}{2}$
3.  $2 \times \{(Major\ Diameter) - (Minor\ Diameter)\}$
4. (Major Diameter) + (Minor Diameter)

**Options :**

485584138461. 1  
485584138462. 2  
485584138463. 3  
485584138464. 4

**Question Number : 112 Question Id : 48558434617 Question Type : MCQ Option Shuffling : No Is Question Mandatory : No Calculator : None Response Time : N.A Think Time : N.A Minimum Instruction Time : 0**

**Correct Marks : 5 Wrong Marks : 1**

**Question Key Details :**

| Key           | Value |
|---------------|-------|
| Comprehension | MCQ   |

If pitch is 'P' in B.S.W. thread, then the value of 'd' (d= Actual Depth) will be \_\_\_\_\_.

1. 0.96P
2. 0.64P
3. 0.51P
4. 0.86P

**Options :**

485584138465. 1  
485584138466. 2  
485584138467. 3  
485584138468. 4

**Question Number : 112 Question Id : 48558434617 Question Type : MCQ Option Shuffling : No Is Question Mandatory : No Calculator : None Response Time : N.A Think Time : N.A Minimum Instruction Time : 0**

**Correct Marks : 5 Wrong Marks : 1**

**Question Key Details :**

| Key           | Value |
|---------------|-------|
| Comprehension | MCQ   |

যদি BSW থ্রেড (thread) পিটচ ('P') ৰ মান 50 mm হয়, তেন্তে 'd' (d= Actual Depth) ৰ মান হ'ব \_\_\_\_\_।

1. 0.96P
2. 0.64P
3. 0.51P
4. 0.86P

**Options :**

485584138465. 1  
485584138466. 2  
485584138467. 3  
485584138468. 4

**Question Number : 113 Question Id : 48558434618 Question Type : MCQ Option Shuffling : No Is Question Mandatory : No Calculator : None Response Time : N.A Think Time : N.A Minimum Instruction Time : 0**

**Correct Marks : 5 Wrong Marks : 1**

**Question Key Details :**

| Key           | Value |
|---------------|-------|
| Comprehension | MCQ   |

Thread profile on an electric bulb:

1. Metric internal thread
2. Square thread
3. B.S.W. thread
4. Knuckle thread

**Options :**

485584138469. 1  
485584138470. 2  
485584138471. 3  
485584138472. 4

**Question Number : 113 Question Id : 48558434618 Question Type : MCQ Option Shuffling : No Is Question Mandatory : No Calculator : None Response Time : N.A Think Time : N.A Minimum Instruction Time : 0**

**Correct Marks : 5 Wrong Marks : 1**

**Question Key Details :**

| Key           | Value |
|---------------|-------|
| Comprehension | MCQ   |

এটা ইলেক্ট্ৰিক বাম্বৰ থ্ৰেড (Thread) প্ৰ'ফাইল কিমান?

1. মেট্ৰিক ইন্টাৰনেল থ্ৰেড
2. স্কোৱেৰ থ্ৰেড
3. BSW থ্ৰেড
4. ন'কেল থ্ৰেড

**Options :**

485584138469. 1  
485584138470. 2  
485584138471. 3  
485584138472. 4

**Question Number : 114 Question Id : 48558434619 Question Type : MCQ Option Shuffling : No Is Question Mandatory : No Calculator : None Response Time : N.A Think Time : N.A Minimum Instruction Time : 0**

**Correct Marks : 5 Wrong Marks : 1**

**Question Key Details :**

| Key           | Value |
|---------------|-------|
| Comprehension | MCQ   |

The total length of a bolt does not include its \_\_\_\_\_.

1. shank length
2. threaded length
3. head thickness / head height
4. non-threaded length

**Options :**

485584138473. 1  
485584138474. 2  
485584138475. 3  
485584138476. 4

**Question Number : 114 Question Id : 48558434619 Question Type : MCQ Option Shuffling : No Is Question Mandatory : No Calculator : None Response Time : N.A Think Time : N.A Minimum Instruction Time : 0**

**Correct Marks : 5 Wrong Marks : 1**

**Question Key Details :**

| Key           | Value |
|---------------|-------|
| Comprehension | MCQ   |

এটা বল্টৰ সম্পূৰ্ণ দৈৰ্ঘ্যৰ ভিতৰত তাৰ \_\_\_\_\_ অন্তৰ্ভুক্ত নহয়।

1. চাংক দৈৰ্ঘ্য
2. থ্ৰেডৰ দৈৰ্ঘ্য
3. হেড ঘনত্ব / হেড উচ্চতা
4. নন-থ্ৰেডৰ দৈৰ্ঘ্য

**Options :**

485584138473. 1  
485584138474. 2  
485584138475. 3  
485584138476. 4

**Question Number : 115 Question Id : 48558434620 Question Type : MCQ Option Shuffling : No Is Question Mandatory : No Calculator : None Response Time : N.A Think Time : N.A Minimum Instruction Time : 0**

**Correct Marks : 5 Wrong Marks : 1**

**Question Key Details :**

| Key           | Value |
|---------------|-------|
| Comprehension | MCQ   |

\_\_\_\_\_ is the diameter of the chamfered circle of a square nut used for bolt of size M30.

1. 40 mm
2. 60 mm
3. 30 mm
4. 45 mm

**Options :**

485584138477. 1  
485584138478. 2  
485584138479. 3  
485584138480. 4

**Question Number : 115 Question Id : 48558434620 Question Type : MCQ Option Shuffling : No Is Question Mandatory : No Calculator : None Response Time : N.A Think Time : N.A Minimum Instruction Time : 0**

**Correct Marks : 5 Wrong Marks : 1**

**Question Key Details :**

| Key           | Value |
|---------------|-------|
| Comprehension | MCQ   |

\_\_\_\_\_ mm ব্যাসৰ চামফৰ্ড (chamfered) বৃত্তৰ স্কোৱেৰ নাট M30 আকাৰৰ বল্ট বনাবলৈ ব্যৱহাৰ কৰা হয়।

1. 40
2. 60
3. 30
4. 45

**Options :**

485584138477. 1  
485584138478. 2  
485584138479. 3  
485584138480. 4

**Question Number : 116 Question Id : 48558434621 Question Type : MCQ Option Shuffling : No Is Question Mandatory : No Calculator : None Response Time : N.A Think Time : N.A Minimum Instruction Time : 0**

**Correct Marks : 5 Wrong Marks : 1**

**Question Key Details :**

| Key           | Value |
|---------------|-------|
| Comprehension | MCQ   |

The value of outer diameter of a plain washer for a bolt of nominal diameter 24 mm is \_\_\_\_\_.

1. 25 mm
2. 3 mm
3. 51 mm
4. 24 mm

**Options :**

485584138481. 1  
485584138482. 2  
485584138483. 3  
485584138484. 4

**Question Number : 116 Question Id : 48558434621 Question Type : MCQ Option Shuffling : No Is Question Mandatory : No Calculator : None Response Time : N.A Think Time : N.A Minimum Instruction Time : 0**

**Correct Marks : 5 Wrong Marks : 1**

**Question Key Details :**

| Key           | Value |
|---------------|-------|
| Comprehension | MCQ   |

নামমাত্র ব্যাসৰ 24 mm ব'ল্টৰ বাবে প্লেইন বাস্কাৰ ব্যাসৰ মান \_\_\_\_\_।

1. 25 mm
2. 3 mm
3. 51 mm
4. 24 mm

**Options :**

485584138481. 1  
485584138482. 2  
485584138483. 3  
485584138484. 4

**Question Number : 117 Question Id : 48558434622 Question Type : MCQ Option Shuffling : No Is Question Mandatory : No Calculator : None Response Time : N.A Think Time : N.A Minimum Instruction Time : 0**

**Correct Marks : 5 Wrong Marks : 1**

**Question Key Details :**

| Key           | Value |
|---------------|-------|
| Comprehension | MCQ   |

In conventional representation of V-thread, the side view shows a complete thick circle representing the \_\_\_\_\_.

1. Crest
2. Root
3. Lead
4. Pitch

**Options :**

485584138485. 1  
485584138486. 2  
485584138487. 3  
485584138488. 4

**Question Number : 117 Question Id : 48558434622 Question Type : MCQ Option Shuffling : No Is Question Mandatory : No Calculator : None Response Time : N.A Think Time : N.A Minimum Instruction Time : 0**

**Correct Marks : 5 Wrong Marks : 1**

**Question Key Details :**

| Key           | Value |
|---------------|-------|
| Comprehension | MCQ   |

এটা প্রচলিত পদ্ধতিত V-থ্রেড (V-thread)ত কাষৰ দৃশ্যটো এটা ডাঠ বৃত্তৰ দেখা যায় যিটোৱে \_\_\_\_ সূচায়।

1. ক্ৰেষ্ট
2. ৰুট
3. লিড
4. পিটচ্

**Options :**

485584138485. 1  
485584138486. 2  
485584138487. 3  
485584138488. 4

**Question Number : 118 Question Id : 48558434623 Question Type : MCQ Option Shuffling : No Is Question Mandatory : No Calculator : None Response Time : N.A Think Time : N.A Minimum Instruction Time : 0**

**Correct Marks : 5 Wrong Marks : 1**

**Question Key Details :**

| Key           | Value |
|---------------|-------|
| Comprehension | MCQ   |

Length of metal end for a Square neck stud of diameter 'd=30 mm' can be \_\_\_\_\_.

1. 15 mm
2. 25 mm
3. 45 mm
4. 60 mm

**Options :**

485584138489. 1  
485584138490. 2  
485584138491. 3  
485584138492. 4

**Question Number : 118 Question Id : 48558434623 Question Type : MCQ Option Shuffling : No Is Question Mandatory : No Calculator : None Response Time : N.A Think Time : N.A Minimum Instruction Time : 0**

**Correct Marks : 5 Wrong Marks : 1**

**Question Key Details :**

| Key           | Value |
|---------------|-------|
| Comprehension | MCQ   |

স্কোৱেৰ নেক ষ্টাড এটাৰ 'd'=30mm ব্যাসৰ ধাতুৰ প্ৰান্তৰ দৈৰ্ঘ্য হ'ব \_\_\_\_\_।

1. 15 mm
2. 25 mm
3. 45 mm
4. 60 mm

**Options :**

485584138489. 1  
485584138490. 2  
485584138491. 3  
485584138492. 4

**Question Number : 119 Question Id : 48558434624 Question Type : MCQ Option Shuffling : No Is Question Mandatory : No Calculator : None Response Time : N.A Think Time : N.A Minimum Instruction Time : 0**

**Correct Marks : 5 Wrong Marks : 1**

**Question Key Details :**

| Key           | Value |
|---------------|-------|
| Comprehension | MCQ   |



The thickness of collar in a Collar stud of diameter 30 mm is :

1. 30 mm
2. 45 mm
3. 12 mm
4. 20 mm

**Options :**

485584138493. 1  
485584138494. 2  
485584138495. 3  
485584138496. 4

**Question Number : 119 Question Id : 48558434624 Question Type : MCQ Option Shuffling : No Is Question Mandatory : No Calculator : None Response Time : N.A Think Time : N.A Minimum Instruction Time : 0**

**Correct Marks : 5 Wrong Marks : 1**

**Question Key Details :**

| Key           | Value |
|---------------|-------|
| Comprehension | MCQ   |

30 mm ব্যাসৰ ক'লাৰ ষ্টাড (Collar stud) এটাৰ ক'লাৰৰ (collar) স্থূলতা হ'ব:

1. 30 mm
2. 45 mm
3. 12 mm
4. 20 mm

**Options :**

485584138493. 1  
485584138494. 2  
485584138495. 3  
485584138496. 4

**Question Number : 120 Question Id : 48558434625 Question Type : MCQ Option Shuffling : No Is Question Mandatory : No Calculator : None Response Time : N.A Think Time : N.A Minimum Instruction Time : 0**

**Correct Marks : 5 Wrong Marks : 1**

**Question Key Details :**

| Key           | Value |
|---------------|-------|
| Comprehension | MCQ   |

Rivets are not used in \_\_\_\_\_.

1. a pressure cooker
2. belts
3. a frying pan
4. a wooden stool

**Options :**

485584138497. 1  
485584138498. 2  
485584138499. 3  
485584138500. 4

**Question Number : 120 Question Id : 48558434625 Question Type : MCQ Option Shuffling : No Is Question Mandatory : No Calculator : None Response Time : N.A Think Time : N.A Minimum Instruction Time : 0**

**Correct Marks : 5 Wrong Marks : 1**

**Question Key Details :**

| Key           | Value |
|---------------|-------|
| Comprehension | MCQ   |

ৰিভেট (Rivet) বিলাক \_\_\_\_\_ ত ব্যৱহাৰ নহয়।

1. প্ৰেছাৰ কুকাৰ
2. বেল্ট
3. কেৰাহী
4. কাঠৰ টোল

**Options :**

485584138497. 1  
485584138498. 2  
485584138499. 3  
485584138500. 4

**Question Number : 121 Question Id : 48558434626 Question Type : MCQ Option Shuffling : No Is Question Mandatory : No Calculator : None Response Time : N.A Think Time : N.A Minimum Instruction Time : 0**

**Correct Marks : 5 Wrong Marks : 1**

**Question Key Details :**

| Key           | Value |
|---------------|-------|
| Comprehension | MCQ   |

In the top view of a vertical Pan Head Rivet of diameter 20mm, \_\_\_\_\_ is the diameter of the outer circle.

1. 20 mm
2. 32 mm
3. 40 mm
4. 25 mm

**Options :**

485584138501. 1  
485584138502. 2  
485584138503. 3  
485584138504. 4

**Question Number : 121 Question Id : 48558434626 Question Type : MCQ Option Shuffling : No Is Question Mandatory : No Calculator : None Response Time : N.A Think Time : N.A Minimum Instruction Time : 0**

**Correct Marks : 5 Wrong Marks : 1**

**Question Key Details :**

| Key           | Value |
|---------------|-------|
| Comprehension | MCQ   |

ওপৰৰ পৰা চালে 20mm ব্যাসৰ vertical Pan Head Rivet ৰ পৰিবৃত্তৰ ব্যাস \_\_\_\_\_ হ'ব।

1. 20 mm
2. 32 mm
3. 40 mm
4. 25 mm

**Options :**

485584138501. 1  
485584138502. 2  
485584138503. 3  
485584138504. 4

**Question Number : 122 Question Id : 48558434627 Question Type : MCQ Option Shuffling : No Is Question Mandatory : No Calculator : None Response Time : N.A Think Time : N.A Minimum Instruction Time : 0**

**Correct Marks : 5 Wrong Marks : 1**

**Question Key Details :**

| Key           | Value |
|---------------|-------|
| Comprehension | MCQ   |

This assembly has an oil hole:

1. Sleeve and cotter joint assembly
2. Turnbuckle joint assembly
3. Bush bearing assembly
4. Open bearing assembly

**Options :**

485584138505. 1  
485584138506. 2  
485584138507. 3  
485584138508. 4

**Question Number : 122 Question Id : 48558434627 Question Type : MCQ Option Shuffling : No Is Question Mandatory : No Calculator : None Response Time : N.A Think Time : N.A Minimum Instruction Time : 0**

**Correct Marks : 5 Wrong Marks : 1**

**Question Key Details :**

| Key           | Value |
|---------------|-------|
| Comprehension | MCQ   |

তলৰ কোনটো যোৰাত (assembly) তেল দিয়া ফুটা পোৱা যায়?

1. শ্লিভ আৰু কটাৰ যোৰা
2. টাৰ্ণবাকল যোৰা
3. বুচ বিয়েৰিং যোৰা
4. মুক্ত বিয়েৰিং (Open bearing) যোৰা

**Options :**

485584138505. 1  
485584138506. 2  
485584138507. 3  
485584138508. 4

**Question Number : 123 Question Id : 48558434628 Question Type : MCQ Option Shuffling : No Is Question Mandatory : No Calculator : None Response Time : N.A Think Time : N.A Minimum Instruction Time : 0**

**Correct Marks : 5 Wrong Marks : 1**

**Question Key Details :**

| Key           | Value |
|---------------|-------|
| Comprehension | MCQ   |

Open Bearing is used for \_\_\_\_\_.

1. vertical shafts
2. shafts rotating at high speed
3. shafts rotating at medium speed
4. zigzag shafts

**Options :**

485584138509. 1  
485584138510. 2  
485584138511. 3  
485584138512. 4

**Question Number : 123 Question Id : 48558434628 Question Type : MCQ Option Shuffling : No Is Question Mandatory : No Calculator : None Response Time : N.A Think Time : N.A Minimum Instruction Time : 0**

**Correct Marks : 5 Wrong Marks : 1**

**Question Key Details :**

| Key           | Value |
|---------------|-------|
| Comprehension | MCQ   |

অপেন বিয়েৰিং \_\_\_\_\_ ৰ বাবে ব্যৱহাৰ কৰা হয়।

1. ভাটিকেল ছেফ্ট
2. উচ্চ গতিত থকা ছেফ্ট ঘূৰ্ণন
3. ছেফ মধ্যমীয়া গতিত ঘূৰ্ণন
4. জিগজাগ শ্বাফ্ট

**Options :**

485584138509. 1  
485584138510. 2  
485584138511. 3  
485584138512. 4

**Question Number : 124 Question Id : 48558434629 Question Type : MCQ Option Shuffling : No Is Question Mandatory : No Calculator : None Response Time : N.A Think Time : N.A Minimum Instruction Time : 0**

**Correct Marks : 5 Wrong Marks : 1**

**Question Key Details :**

| Key           | Value |
|---------------|-------|
| Comprehension | MCQ   |

This bearing / joint is useful for higher loads at medium speed:

1. Bush Bearing
2. Open Bearing
3. Gib and Cotter joint
4. Sleeve and Cotter joint

**Options :**

485584138513. 1  
485584138514. 2  
485584138515. 3  
485584138516. 4

**Question Number : 124 Question Id : 48558434629 Question Type : MCQ Option Shuffling : No Is Question Mandatory : No Calculator : None Response Time : N.A Think Time : N.A Minimum Instruction Time : 0**

**Correct Marks : 5 Wrong Marks : 1**

**Question Key Details :**

| Key           | Value |
|---------------|-------|
| Comprehension | MCQ   |

কোনটো বিয়েৰিং / যোৰা (joint) মধ্যমীয়া গতিত বেছি ভাৰ ল'ব লৈ ব্যৱহাৰ হয়?

1. বুচ বিয়েৰিং
2. অপেন বিয়েৰিং
3. গিব আৰু কটাৰ যোৰা
4. স্লীভ আৰু কটাৰ যোৰা

**Options :**

485584138513. 1  
485584138514. 2  
485584138515. 3  
485584138516. 4

**Question Number : 125 Question Id : 48558434630 Question Type : MCQ Option Shuffling : No Is Question Mandatory : No Calculator : None Response Time : N.A Think Time : N.A Minimum Instruction Time : 0**

**Correct Marks : 5 Wrong Marks : 1**

**Question Key Details :**

| Key           | Value |
|---------------|-------|
| Comprehension | MCQ   |

In a Sleeve and Cotter joint, each rod has \_\_\_\_\_ rectangular hole(s) for the insertion of cotter at right angle to the axis.

1. One
2. Two
3. Three
4. Five

**Options :**

485584138517. 1  
485584138518. 2  
485584138519. 3  
485584138520. 4

**Question Number : 125 Question Id : 48558434630 Question Type : MCQ Option Shuffling : No Is Question Mandatory : No Calculator : None Response Time : N.A Think Time : N.A Minimum Instruction Time : 0**

**Correct Marks : 5 Wrong Marks : 1**

**Question Key Details :**

| Key           | Value |
|---------------|-------|
| Comprehension | MCQ   |

শ্লীভ আৰু কটাৰ যোৰা (joint)ত প্ৰত্যেক লোহা বা ৰদৰ \_\_\_\_\_ আয়তাকাৰ বিন্ধা থাকে যিটো কটাৰৰ সমকোণৰ অক্ষত সোমাই থাকে।

1. এটা
2. দুটা
3. তিনিটা
4. পাঁচটা

**Options :**

485584138517. 1  
485584138518. 2  
485584138519. 3  
485584138520. 4

**Question Number : 126 Question Id : 48558434631 Question Type : MCQ Option Shuffling : No Is Question Mandatory : No Calculator : None Response Time : N.A Think Time : N.A Minimum Instruction Time : 0**

**Correct Marks : 5 Wrong Marks : 1**

**Question Key Details :**

| Key           | Value |
|---------------|-------|
| Comprehension | MCQ   |

A machine part which prevents slacking of the joint besides holding the jaws of the strap from opening wide when the cotter is inserted:

1. Cotter
2. Rod
3. Gib
4. Sleeve

**Options :**

485584138521. 1  
485584138522. 2  
485584138523. 3  
485584138524. 4

**Question Number : 126 Question Id : 48558434631 Question Type : MCQ Option Shuffling : No Is Question Mandatory : No Calculator : None Response Time : N.A Think Time : N.A Minimum Instruction Time : 0**

**Correct Marks : 5 Wrong Marks : 1**

**Question Key Details :**

| Key           | Value |
|---------------|-------|
| Comprehension | MCQ   |

তলৰ কোনটো মেচিনৰ অংশ যিয়ে যন্ত্ৰটো টিলা হোৱাত বাধা দিয়ে আৰু তাৰ jaw আৰু strap বোৰ ভালদৰে মেল খাবলৈ দিয়ে যেতিয়া কটাৰটো সুমুৱাই দিয়ে।

1. কটাৰ
2. ৰড
3. গিব
4. শ্লিভ

**Options :**

485584138521. 1  
485584138522. 2  
485584138523. 3  
485584138524. 4

**Question Number : 127 Question Id : 48558434632 Question Type : MCQ Option Shuffling : No Is Question Mandatory : No Calculator : None Response Time : N.A Think Time : N.A Minimum Instruction Time : 0**

**Correct Marks : 5 Wrong Marks : 1**

**Question Key Details :**

| Key           | Value |
|---------------|-------|
| Comprehension | MCQ   |



In Flange Pipe Joint, if it is mentioned SQ Headed Bolt MS-4 OFF. What is the meaning of 4 OFF ?

1. Four number of bolt.
2. Four types of bolt.
3. Four mm length of bolt.
4. Four mm thickness of bolt.

**Options :**

485584138525. 1  
485584138526. 2  
485584138527. 3  
485584138528. 4

**Question Number : 127 Question Id : 48558434632 Question Type : MCQ Option Shuffling : No Is Question Mandatory : No Calculator : None Response Time : N.A Think Time : N.A Minimum Instruction Time : 0**

**Correct Marks : 5 Wrong Marks : 1**

**Question Key Details :**

| Key           | Value |
|---------------|-------|
| Comprehension | MCQ   |

এটা ফ্লেঞ্জ পাইপ জইন্ট (Flange Pipe Joint) ত যদি SQ হেডেড MS-4 OFF বুলি উল্লেখ আছে। 4 OFF ৰ অৰ্থ কি?

1. চাৰিটা সংখ্যাৰ বল্ট
2. চাৰিটা প্ৰকাৰৰ বল্ট
3. 4 mm দীঘল বল্ট
4. 4 mm ডাঠ বল্ট

**Options :**

485584138525. 1  
485584138526. 2  
485584138527. 3  
485584138528. 4

**Question Number : 128 Question Id : 48558434633 Question Type : MCQ Option Shuffling : No Is Question Mandatory : No Calculator : None Response Time : N.A Think Time : N.A Minimum Instruction Time : 0**

**Correct Marks : 5 Wrong Marks : 1**

**Question Key Details :**

| Key           | Value |
|---------------|-------|
| Comprehension | MCQ   |

In Turnbuckle joint, the two rods have \_\_\_\_\_ screw threads.

1. Opposite hand external
2. Opposite hand internal
3. Both external RH
4. Both internal LH

**Options :**

485584138529. 1  
485584138530. 2  
485584138531. 3  
485584138532. 4

**Question Number : 128 Question Id : 48558434633 Question Type : MCQ Option Shuffling : No Is Question Mandatory : No Calculator : None Response Time : N.A Think Time : N.A Minimum Instruction Time : 0**

**Correct Marks : 5 Wrong Marks : 1**

**Question Key Details :**

| Key           | Value |
|---------------|-------|
| Comprehension | MCQ   |

এটা টার্নবাকল জইন্ট (Turnbuckle joint)ত, দুডল বডৰ \_\_\_\_\_ স্কু থ্বেড থাকে।

1. বিপৰীত হেণ্ড এক্সটার্ণেল
2. বিপৰীত হেণ্ড ইন্টাৰনেল
3. দুয়োটা বাহ্যিক RH
4. দুয়োটা আভ্যন্তৰিণ RH

**Options :**

485584138529. 1  
485584138530. 2  
485584138531. 3  
485584138532. 4

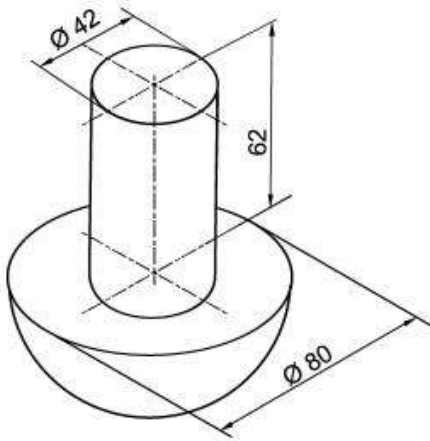
**Question Number : 129 Question Id : 48558434634 Question Type : MCQ Option Shuffling : No Is Question Mandatory : No Calculator : None Response Time : N.A Think Time : N.A Minimum Instruction Time : 0**

**Correct Marks : 5 Wrong Marks : 1**

**Question Key Details :**

| Key           | Value |
|---------------|-------|
| Comprehension | MCQ   |

Identify the **correct** statements for the given figure:



- A. Axes of both solids are perpendicular to H.P.
- B. Axis of cylinder is perpendicular to V.P. and axis of hemisphere is perpendicular to H.P.
- C. A vertical cylinder is resting on the circular face of a hemisphere.
- D. A hemisphere is resting on a cylinder.
- E. A horizontal cylinder is resting on a hemisphere.

Choose the **correct** answer from the options given below:

- 1. B and E only
- 2. A and D only
- 3. D and E only
- 4. A and C only

**Options :**

- 485584138533. 1
- 485584138534. 2
- 485584138535. 3
- 485584138536. 4

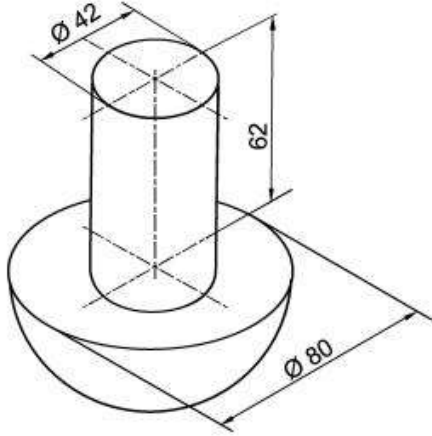
**Question Number : 129 Question Id : 48558434634 Question Type : MCQ Option Shuffling : No Is Question Mandatory : No Calculator : None Response Time : N.A Think Time : N.A Minimum Instruction Time : 0**

**Correct Marks : 5 Wrong Marks : 1**

**Question Key Details :**

| Key           | Value |
|---------------|-------|
| Comprehension | MCQ   |

তলৰ চিত্ৰটোৰ পৰা শুদ্ধ বিবৃতিটোৰ বাছনি কৰা:



- A. দুয়োটা বস্তুৰ দুয়ো অক্ষত HP ৰ উলম্বিক
- B. চুঙাটোৰ অক্ষ VP লম্বিক আৰু গোলাৰ্ধৰ অক্ষটো HP ৰ উলম্বিক
- C. এটা উলম্বিক চুঙা এটা গোলাৰ্ধৰ বৃত্তাকাৰ পৃষ্ঠত বহিছে
- D. এটা গোলাৰ্ধ চুঙাটোৰ ওপৰত আছে
- E. এটা আনুভূমিক চুঙা গোলাৰ্ধৰ ওপৰত আছে

তলৰ বিকল্পসমূহৰ পৰা শুদ্ধ উত্তৰটো বাছি উলিওৱা:

- 1. কেৱল B আৰু E
- 2. কেৱল A আৰু D
- 3. কেৱল D আৰু E
- 4. কেৱল A আৰু C

Options :

- 485584138533. 1
- 485584138534. 2
- 485584138535. 3
- 485584138536. 4

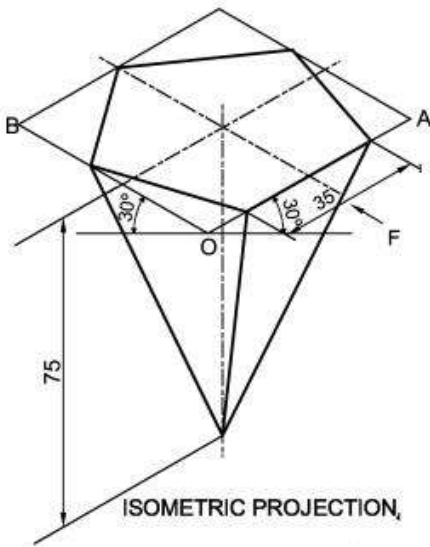
Question Number : 130 Question Id : 48558434635 Question Type : MCQ Option Shuffling : No Is Question Mandatory : No Calculator : None Response Time : N.A Think Time : N.A Minimum Instruction Time : 0

Correct Marks : 5 Wrong Marks : 1

Question Key Details :

| Key           | Value |
|---------------|-------|
| Comprehension | MCQ   |

Identify the **correct** statements for the given figure:



- A. A pentagonal prism is resting on H.P. on its base.
- B. Axis of pyramid is perpendicular to V.P.
- C. Axis of pyramid is perpendicular to H.P.
- D. A pentagonal pyramid is resting on H.P. on its apex.
- E. Length of its axis is 35 mm.

Choose the **correct** answer from the options given below:

- 1. A and B only
- 2. C and D only
- 3. B and E only
- 4. A and C only

**Options :**

- 485584138537. 1
- 485584138538. 2
- 485584138539. 3
- 485584138540. 4

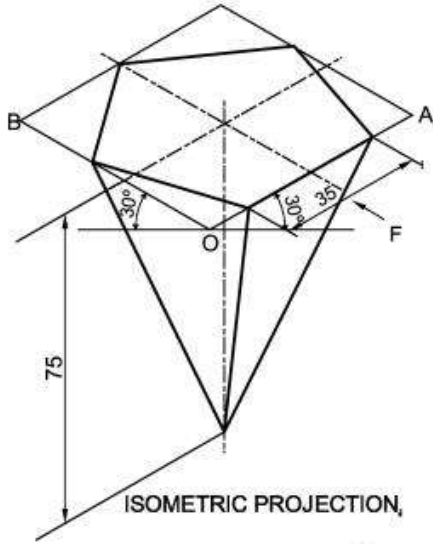
**Question Number : 130 Question Id : 48558434635 Question Type : MCQ Option Shuffling : No Is Question Mandatory : No Calculator : None Response Time : N.A Think Time : N.A Minimum Instruction Time : 0**

**Correct Marks : 5 Wrong Marks : 1**

**Question Key Details :**

| Key           | Value |
|---------------|-------|
| Comprehension | MCQ   |

তলৰ চিত্ৰটোৰ পৰা শুদ্ধ বিবৃতিটোৰ বাছনি কৰা:



- A. এটা পঞ্চভূজীয় প্ৰিজম HP ৰ ওপৰত বহি আছে
- B. পিৰামিডৰ অক্ষটো VP ৰ লম্ব
- C. পিৰামিডৰ অক্ষটো HP ৰ লম্ব
- D. এটা পঞ্চভূজীয় পিৰামিড তাৰ শিখৰটোৰ ওপৰতৰ HP ত বহি আছে
- E. অক্ষৰ দৈৰ্ঘ্য 35 mm দীঘল

তলত দিয়া চিত্ৰৰ পৰা শুদ্ধ উক্তিটো বাচি উলিওৱা।

- 1. কেৱল A আৰু B
- 2. কেৱল C আৰু D
- 3. কেৱল B আৰু E
- 4. কেৱল A আৰু C

Options :

- 485584138537. 1
- 485584138538. 2
- 485584138539. 3
- 485584138540. 4

Question Number : 131 Question Id : 48558434636 Question Type : MCQ Option Shuffling : No Is Question Mandatory : No Calculator : None Response Time : N.A Think Time : N.A Minimum Instruction Time : 0

Correct Marks : 5 Wrong Marks : 1

Question Key Details :

| Key           | Value |
|---------------|-------|
| Comprehension | MCQ   |

Identify the **correct** statements for Isometric Projection of a Sphere:

- A. Its diameter is foreshortened.
- B. Its isometric projection appears as circle.
- C. Its isometric projection is drawn by taking an angle of  $60^\circ$  with the horizontal reference line.
- D. Its diameter is drawn using true scale.
- E. Its isometric projection appears as hemisphere.

Choose the **correct** answer from the options given below:

- 1. B and D only
- 2. B and C only
- 3. A and D only
- 4. A and E only

**Options :**

- 485584138541. 1
- 485584138542. 2
- 485584138543. 3
- 485584138544. 4

**Question Number : 131 Question Id : 48558434636 Question Type : MCQ Option Shuffling : No Is Question Mandatory : No Calculator : None Response Time : N.A Think Time : N.A Minimum Instruction Time : 0**

**Correct Marks : 5 Wrong Marks : 1**

**Question Key Details :**

| Key           | Value |
|---------------|-------|
| Comprehension | MCQ   |

এটা গোলক Isometric প্রক্ষেপন এটা আঁকিবলৈ তলৰ কোনটো শুদ্ধ চিনাক্ত কৰা:

- A. ইয়াৰ আকাৰ পূৰ্বসংক্ষিপ্ত হয়
- B. ইয়াৰ isometric প্রক্ষেপন দেখাৰ বৃত্তৰ দৰে
- C. ইয়াৰ isometric প্রক্ষেপন  $60^\circ$  কোণৰ আনুভূমিকভাৱে অঁকা হয়
- D. ইয়াৰ ব্যাস প্রকৃত স্কেল ব্যৱহাৰ কৰি অঁকা হয়
- E. ইয়াৰ isometric প্রক্ষেপন গোলার্ধৰ দৰে হয়

তলৰ বিকল্পসমূহৰ পৰা শুদ্ধ উত্তৰটো বাছি উলিওৱা:

- 1. কেৱল B আৰু D
- 2. কেৱল B আৰু C
- 3. কেৱল A আৰু D
- 4. কেৱল A আৰু E

**Options :**

- 485584138541. 1
- 485584138542. 2
- 485584138543. 3

**Question Number : 132 Question Id : 48558434637 Question Type : MCQ Option Shuffling : No Is Question Mandatory : No Calculator : None Response Time : N.A Think Time : N.A Minimum Instruction Time : 0**

**Correct Marks : 5 Wrong Marks : 1**

**Question Key Details :**

| Key           | Value |
|---------------|-------|
| Comprehension | MCQ   |

Identify the **correct** statements for the Screw threads:

- A. A square thread of nominal diameter = 30 mm and Pitch = 6 mm is designated as K 30 × 6.
- B. Knuckle threads are used on necks of glass bottles.
- C. Square threads offers less frictional resistance.
- D. The angle between flanks of metric thread is 55°.
- E. The flanks of B.S.W. thread are equally rounded at both crest and root.

Choose the **correct** answer from the options given below:

- 1. A, B and C only
- 2. B, C and D only
- 3. C, D and E only
- 4. B, C and E only

**Options :**

- 485584138545. 1
- 485584138546. 2
- 485584138547. 3
- 485584138548. 4

**Question Number : 132 Question Id : 48558434637 Question Type : MCQ Option Shuffling : No Is Question Mandatory : No Calculator : None Response Time : N.A Think Time : N.A Minimum Instruction Time : 0**

**Correct Marks : 5 Wrong Marks : 1**

**Question Key Details :**

| Key           | Value |
|---------------|-------|
| Comprehension | MCQ   |



স্ক্ৰু থ্ৰেডৰ কাৰণে তলৰ শুদ্ধ উক্তিটো চিনাক্ত কৰা।

- A. নামমাত্ৰ 30 mm ব্যাসৰ আৰু 6 mm পিটচৰ এটা স্ক্ৰোৱৰ থ্ৰেডক K 30 × 6 হিচাপে গণ্য কৰা হয়
- B. নাকল থ্ৰেড কাঁচৰ বটলৰ ডিঙিৰ অংশ বনাবলৈ ব্যৱহাৰ কৰা হয়
- C. স্ক্ৰোৱৰ থ্ৰেড হৈছে V-থ্ৰেডতকৈ কম ঘৰ্ষণমূলক
- D. মেট্ৰিক থ্ৰেডৰ ফ্লেংকসমূহৰ মাজৰ কোণ হৈছে 55°
- E. BSW থ্ৰেডৰ ফ্লেংকবোৰ সমানে ঘূৰণীয়া ক্ৰেষ্ট আৰু ৰুটৰ ক্ষেত্ৰত

তলৰ বিকল্পসমূহৰ পৰা শুদ্ধ উত্তৰটো বাছি উলিওৱা:

- 1. কেৱল A, B আৰু C
- 2. কেৱল B, C আৰু D
- 3. কেৱল C, D আৰু E
- 4. কেৱল B, C আৰু E

**Options :**

- 485584138545. 1
- 485584138546. 2
- 485584138547. 3
- 485584138548. 4

**Question Number : 133 Question Id : 48558434638 Question Type : MCQ Option Shuffling : No Is Question Mandatory : No Calculator : None Response Time : N.A Think Time : N.A Minimum Instruction Time : 0**

**Correct Marks : 5 Wrong Marks : 1**

**Question Key Details :**

| Key           | Value |
|---------------|-------|
| Comprehension | MCQ   |

Identify the **correct** statements for Stud:

- A. Stud is a permanent fastener.
- B. A stud is a cylindrical rod, having threads on both ends.
- C. It has internal thread.
- D. It is always used with cotter.
- E. It is used where there is no place for the bolt head.

Choose the **correct** answer from the options given below:

- 1. A and E only
- 2. B and E only
- 3. D and E only
- 4. B and D only

**Options :**

- 485584138549. 1
- 485584138550. 2
- 485584138551. 3

485584138552. 4

**Question Number : 133 Question Id : 48558434638 Question Type : MCQ Option Shuffling : No Is Question Mandatory : No Calculator : None Response Time : N.A Think Time : N.A Minimum Instruction Time : 0**

**Correct Marks : 5 Wrong Marks : 1**

**Question Key Details :**

| Key           | Value |
|---------------|-------|
| Comprehension | MCQ   |

কিছুমান stud ৰ ঘটনা দিয়া হৈছে। তাৰ পৰা শুদ্ধ উক্তিটো বিচাৰি উলিওৱা।

- A. Stud হৈছে স্থায়ী ফাষ্টনাৰ
- B. Stud টো চুঙাজাতীয় যাৰ দুয়োফালে থ্ৰেড আছে
- C. ইয়াৰ এটা আভ্যন্তৰীণ থ্ৰেড আছে
- D. ইয়াক সদায় কটাৰৰ লগত ব্যৱহাৰ কৰা হয়
- E. বল্ট হেড লগাবলৈ ঠাই নহলে ব্যৱহাৰ কৰা হয়

তলৰ বিকল্পসমূহৰ পৰা শুদ্ধ উত্তৰটো বাছি উলিওৱা:

- 1. কেৱল A আৰু E
- 2. কেৱল B আৰু E
- 3. কেৱল D আৰু E
- 4. কেৱল B আৰু D

**Options :**

- 485584138549. 1
- 485584138550. 2
- 485584138551. 3
- 485584138552. 4

**Question Number : 134 Question Id : 48558434639 Question Type : MCQ Option Shuffling : No Is Question Mandatory : No Calculator : None Response Time : N.A Think Time : N.A Minimum Instruction Time : 0**

**Correct Marks : 5 Wrong Marks : 1**

**Question Key Details :**

| Key           | Value |
|---------------|-------|
| Comprehension | MCQ   |

Identify the **correct** statements for a Gib and Cotter joint:

- A. The Gib has the same thickness as that of the Cotter.
- B. Two cotters are used in this joint.
- C. Cotter is made of plastic.
- D. Cotter is used in conjunction with Gib.
- E. Rods are of circular shape in this joint.

Choose the **correct** answer from the options given below:

- 1. A and B only
- 2. A and C only
- 3. A and D only
- 4. D and E only

**Options :**

- 485584138553. 1
- 485584138554. 2
- 485584138555. 3
- 485584138556. 4

**Question Number : 134 Question Id : 48558434639 Question Type : MCQ Option Shuffling : No Is Question Mandatory : No Calculator : None Response Time : N.A Think Time : N.A Minimum Instruction Time : 0**

**Correct Marks : 5 Wrong Marks : 1**

**Question Key Details :**

| Key           | Value |
|---------------|-------|
| Comprehension | MCQ   |

গিব আৰু কটাৰ জইন্টৰ বাবে তলৰ কোনটো উক্তি **শুদ্ধ** চিনাক্ত কৰা:

- A. গিব আৰু কটাৰ সমান ডাঠ
- B. দুটা কটাৰ ব্যৱহাৰ কৰা হয়
- C. কটাৰটো প্লাষ্টিকৰ পৰা বনোৱা হয়
- D. কটাৰটো গিবৰ লগত সংযোজনৰ কাৰণে ব্যৱহাৰ কৰা হয়
- E. ৰডবিলাক ঘূৰণীয়া আকৃতিৰ

তলৰ বিকল্পসমূহৰ পৰা **শুদ্ধ** উত্তৰটো বাছি উলিওৱা:

- 1. কেৱল A আৰু B
- 2. কেৱল A আৰু C
- 3. কেৱল A আৰু D
- 4. কেৱল D আৰু E

**Options :**

- 485584138553. 1
- 485584138554. 2
- 485584138555. 3

**Question Number : 135 Question Id : 48558434640 Question Type : MCQ Option Shuffling : No Is Question Mandatory : No Calculator : None Response Time : N.A Think Time : N.A Minimum Instruction Time : 0**

**Correct Marks : 5 Wrong Marks : 1**

**Question Key Details :**

| Key           | Value |
|---------------|-------|
| Comprehension | MCQ   |

Match List I with List II

| LIST I |                         | LIST II |  |
|--------|-------------------------|---------|--|
| A.     | Isometric projection    | I.      | Angle between two principal planes is $90^\circ$ .                               |
| B.     | Dimetric projection     | II.     | All the angles between principal axes are unequal and not less than $90^\circ$ . |
| C.     | Trimetric projection    | III.    | All the angles between principal axes are equal.                                 |
| D.     | Orthographic projection | IV.     | Only two angles between three principal axes are equal.                          |

Choose the **correct** answer from the options given below:

1. A-III, B-IV, C-II, D-I
2. A-I, B-II, C-III, D-IV
3. A-II, B-III, C-IV, D-I
4. A-IV, B-II, C-III, D-I

**Options :**

485584138557. 1

485584138558. 2

485584138559. 3

485584138560. 4

**Question Number : 135 Question Id : 48558434640 Question Type : MCQ Option Shuffling : No Is Question Mandatory : No Calculator : None Response Time : N.A Think Time : N.A Minimum Instruction Time : 0**

**Correct Marks : 5 Wrong Marks : 1**

**Question Key Details :**

| Key           | Value |
|---------------|-------|
| Comprehension | MCQ   |

তালিকা I ৰ লগত তালিকা II মিলোৱা

| তালিকা I |                            | তালিকা II |   |
|----------|----------------------------|-----------|---|
| A.       | আইচমেট্ৰিক<br>প্ৰজেক্‌চন   | I.        | দুখন মূল সমতলৰ কোণ হৈছে $90^\circ$                    |
| B.       | ডাইমেট্ৰিক<br>প্ৰজেক্‌চন   | II.       | গোটেই তিনিটা কোণ অসমান আৰু $90^\circ$<br>তকৈ সৰু নহয় |
| C.       | ট্ৰাইমেট্ৰিক<br>প্ৰজেক্‌চন | III.      | মুখ্য অক্ষৰ মাজত থকা গোটেই<br>কোণকেইটা সমান           |
| D.       | অৰ্থগ্ৰাফিক<br>প্ৰজেক্‌চন  | IV.       | তিনিটা মুখ্য অক্ষৰ মাজত থকা মাত্ৰ<br>দুটা কোণহে সমান  |

তলৰ বিকল্পসমূহৰ পৰা শুদ্ধ উত্তৰটো বাছি উলিওৱা:

1. A-III, B-IV, C-II, D-I
2. A-I, B-II, C-III, D-IV
3. A-II, B-III, C-IV, D-I
4. A-IV, B-II, C-III, D-I

**Options :**

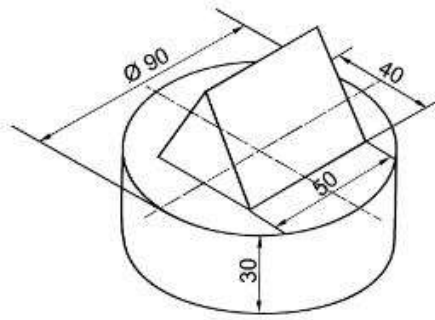
485584138557. 1  
485584138558. 2  
485584138559. 3  
485584138560. 4

**Question Number : 136 Question Id : 48558434641 Question Type : MCQ Option Shuffling : No Is Question Mandatory :  
No Calculator : None Response Time : N.A Think Time : N.A Minimum Instruction Time : 0**

**Correct Marks : 5 Wrong Marks : 1**

**Question Key Details :**

| Key           | Value |
|---------------|-------|
| Comprehension | MCQ   |



Match List I with List II on the basis of the given figure.

| LIST I |                       | LIST II |                              |
|--------|-----------------------|---------|------------------------------|
| A.     | Bottom Solid.         | I.      | Vertical                     |
| B.     | Top solid.            | II.     | Horizontal                   |
| C.     | Axis of top solid.    | III.    | Equilateral Triangular Prism |
| D.     | Axis of bottom solid. | IV.     | Circular slab                |

Choose the **correct** answer from the options given below:

1. A-III, B-II, C-I, D-IV
2. A-III, B-II, C-IV, D-I
3. A-I, B-II, C-III, D-IV
4. A-IV, B-III, C-II, D-I

**Options :**

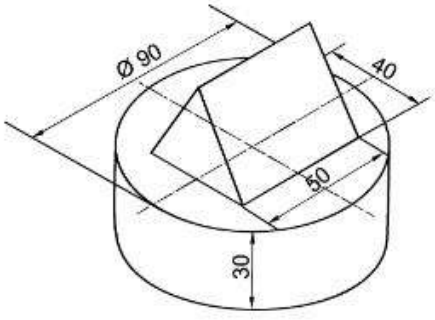
485584138561. 1  
 485584138562. 2  
 485584138563. 3  
 485584138564. 4

**Question Number : 136 Question Id : 48558434641 Question Type : MCQ Option Shuffling : No Is Question Mandatory : No Calculator : None Response Time : N.A Think Time : N.A Minimum Instruction Time : 0**

**Correct Marks : 5 Wrong Marks : 1**

**Question Key Details :**

| Key           | Value |
|---------------|-------|
| Comprehension | MCQ   |



তালিকা I ৰ লগত তালিকা II মিলোৱা

| তালিকা I                                     | তালিকা II                   |
|--|-----------------------------|
| আইচ' মেট্ৰিক প্ৰজেকচনৰ ভাগবোৰ তলত দিয়া হৈছে |                             |
| A. বটম ছ'লিড                                 | I. উলফ                      |
| B. টপ ছ'লিড                                  | II. আনুভূমিক                |
| C. সমবাহু ত্ৰিভুজৰ প্ৰিজমৰ অক্ষ              | III. সমবাহু ত্ৰিভুজৰ প্ৰিজম |
| D. বৃত্তাকাৰ ফলক (slab)ৰ অক্ষ                | IV. বৃত্তাকাৰ ফলক           |

তলৰ বিকল্পসমূহৰ পৰা শুদ্ধ উত্তৰটো বাছি উলিওৱা:

1. A-III, B-II, C-I, D-IV
2. A-II, B-II, C-IV, D-I
3. A-I, B-II, C-III, D-IV
4. A-IV, B-III, C-II, D-I

**Options :**

485584138561. 1  
 485584138562. 2  
 485584138563. 3  
 485584138564. 4

**Question Number : 137 Question Id : 48558434642 Question Type : MCQ Option Shuffling : No Is Question Mandatory : No Calculator : None Response Time : N.A Think Time : N.A Minimum Instruction Time : 0**

**Correct Marks : 5 Wrong Marks : 1**

**Question Key Details :**

| Key           | Value |
|---------------|-------|
| Comprehension | MCQ   |

Match List I with List II

| LIST I<br>Hexagonal headed bolt |   | LIST II<br>(‘d’ is the nominal diameter) |        |
|---------------------------------|---|--|--------|
| A.                              | Thickness of Head   | I.                                       | d      |
| B.                              | Threaded length of shank  | II.                                      | 0.8d   |
| C.                              | Radius of arc showing conventional end of the shank in its front view | III.                                     | 2d +6  |
| D.                              | Width across the flats of head  | IV.                                      | 1.5d+3 |

Choose the **correct** answer from the options given below:

1. A-II, B-III, C-I, D-IV
2. A-I, B-II, C-III, D-IV
3. A-III, B-IV, C-II, D-I
4. A-IV, B-I, C-II, D-III

**Options :**

- 485584138565. 1
- 485584138566. 2
- 485584138567. 3
- 485584138568. 4

**Question Number : 137 Question Id : 48558434642 Question Type : MCQ Option Shuffling : No Is Question Mandatory : No Calculator : None Response Time : N.A Think Time : N.A Minimum Instruction Time : 0**

**Correct Marks : 5 Wrong Marks : 1**

**Question Key Details :**

| Key           | Value |
|---------------|-------|
| Comprehension | MCQ   |



তালিকা I ৰ লগত তালিকা II মিলোৱা

| তালিকা I<br>'d' হৈছে ষড়ভুজাকাৰ মূৰৰ বোল্টৰ<br>নামমাত্ৰ ব্যাস |  | তালিকা II |        |
|---|--|-----------|--------|
| A.  | হেডৰ স্থলতা                                      | I.        | d      |
| B.  | চাংকৰ থ্ৰেডৰ দৈৰ্ঘ্য                             | II.       | 0.8d   |
| C.  | Arc এটা সাধাৰণ ব্যাসাৰ্ধ                         | III.      | 2d +6  |
| D.  | হেডৰ সমান্তৰাল পৃষ্ঠৰ মাজত<br>থকা সমতলৰ মাজৰ জোখ | IV.       | 1.5d+3 |

তলৰ বিকল্পসমূহৰ পৰা শুদ্ধ উত্তৰটো বাছি উলিওৱা:

1. A-II, B-III, C-I, D-IV
2. A-I, B-II, C-III, D-IV
3. A-III, B-IV, C-II, D-I
4. A-IV, B-I, C-II, D-III

**Options :**

485584138565. 1  
485584138566. 2  
485584138567. 3  
485584138568. 4

**Question Number : 138 Question Id : 48558434643 Question Type : MCQ Option Shuffling : No Is Question Mandatory : No Calculator : None Response Time : N.A Think Time : N.A Minimum Instruction Time : 0**

**Correct Marks : 5 Wrong Marks : 1**

**Question Key Details :**

| Key           | Value |
|---------------|-------|
| Comprehension | MCQ   |

Match List I with List II

| LIST I |                        | LIST II |                                   |
|--------|------------------------|---------|-----------------------------------|
| A.     | B.S.W. Thread          | I.      | Semicircles on opposite side.     |
| B.     | Metric External Thread | II.     | Both crest and root are flat      |
| C.     | Square Thread          | III.    | Rounded equally at root and crest |
| D.     | Knuckle Thread         | IV.     | Crest flat and root rounded       |

Choose the **correct** answer from the options given below:

1. A-I, B-II, C-III, D-IV
2. A-IV, B-III, C-I, D-II
3. A-III, B-IV, C-II, D-I
4. A-II, B-III, C-I, D-IV

**Options :**

485584138569. 1

485584138570. 2  
485584138571. 3  
485584138572. 4

**Question Number : 138 Question Id : 48558434643 Question Type : MCQ Option Shuffling : No Is Question Mandatory : No Calculator : None Response Time : N.A Think Time : N.A Minimum Instruction Time : 0**

**Correct Marks : 5 Wrong Marks : 1**

**Question Key Details :**

| Key           | Value |
|---------------|-------|
| Comprehension | MCQ   |

তালিকা I ৰ লগত তালিকা II মিলোৱা

| তালিকা I |                           | তালিকা II |                                   |
|----------|---------------------------|-----------|-----------------------------------|
| A.       | B.S.W থ্ৰেড               | I.        | বিপৰীতমুখী অৰ্ধবৃত্ত              |
| B.       | মেট্ৰিক এক্সটাৰ্ণেল থ্ৰেড | II.       | ক্ৰেষ্ট আৰু ৰুট উভয়ে চেপেটা      |
| C.       | স্কুৱাৰ থ্ৰেড             | III.      | ৰুট আৰু ক্ৰেষ্টত সমানে ঘূৰণীয়া   |
| D.       | নাকল থ্ৰেড                | IV.       | ক্ৰেষ্ট চেপেটা আৰু ৰুটটো ঘূৰণীয়া |

তলৰ বিকল্পসমূহৰ পৰা শুদ্ধ উত্তৰটো বাছি উলিওৱা:

1. A-I, B-II, C-III, D-IV
2. A-IV, B-III, C-I, D-II
3. A-III, B-IV, C-II, D-I
4. A-II, B-III, C-I, D-IV

**Options :**

485584138569. 1  
485584138570. 2  
485584138571. 3  
485584138572. 4

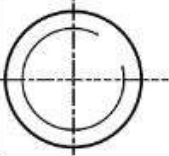

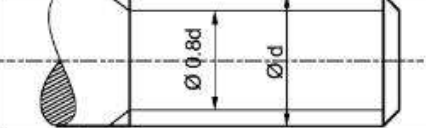
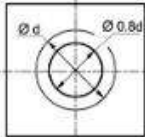
**Question Number : 139 Question Id : 48558434644 Question Type : MCQ Option Shuffling : No Is Question Mandatory : No Calculator : None Response Time : N.A Think Time : N.A Minimum Instruction Time : 0**

**Correct Marks : 5 Wrong Marks : 1**

**Question Key Details :**

| Key           | Value |
|---------------|-------|
| Comprehension | MCQ   |

Match List I with List II

| LIST I<br>(Conventional representation<br>of V- thread) |                                     | LIST II<br>(Orthographic View) |   |
|---|-------------------------------------|--------------------------------|---|
| A.  | External V-thread in the front view | I.                             |  |
| B.  | Internal V-thread in the side view  | II.                            |  |
| C.  | External V-thread in the side view  | III.                           |  |
| D.  | Internal V-thread in the front view | IV.                            |  |

Choose the **correct** answer from the options given below:

1. A-I, B-III, C-II, D-IV
2. A-III, B-IV, C-I, D-II
3. A-II, B-I, C-IV, D-III
4. A-IV, B-II, C-III, D-I

**Options :**

485584138573. 1  
 485584138574. 2  
 485584138575. 3  
 485584138576. 4

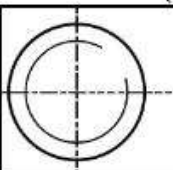
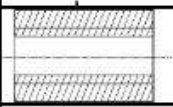
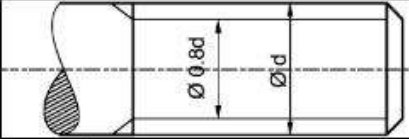
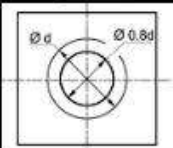
**Question Number : 139 Question Id : 48558434644 Question Type : MCQ Option Shuffling : No Is Question Mandatory : No Calculator : None Response Time : N.A Think Time : N.A Minimum Instruction Time : 0**

**Correct Marks : 5 Wrong Marks : 1**

**Question Key Details :**

| Key           | Value |
|---------------|-------|
| Comprehension | MCQ   |

তালিকা I ৰ লগত তালিকা II মিলোৱা

| তালিকা I<br>V-থ্ৰেডৰ প্ৰচলিত উপস্থাপন |  | তালিকা II<br>(চিত্ৰ) |   |
|---------------------------------------|--|----------------------|---|
| A.                                    | V-থ্ৰেডৰ সন্মুখৰ দৃশ্যৰ উপস্থাপন             | I.                   |  |
| B.                                    | আন্তঃৰীণ V-থ্ৰেডডাল কাষতে পোৱা যায়          | II.                  |  |
| C.                                    | বাহ্যিক V-থ্ৰেডডাল কাষৰ দৃশ্যত দেখা যায়     | III.                 |  |
| D.                                    | আন্তঃৰীণ V-থ্ৰেডডাল সন্মুখৰ দৃশ্যত দেখা যায় | IV.                  |  |

তলৰ বিকল্পসমূহৰ পৰা শুদ্ধ উত্তৰটো বাছি উলিওৱা:

1. A-I, B-III, C-II, D-IV
2. A-III, B-IV, C-I, D-II
3. A-II, B-I, C-IV, D-III
4. A-IV, B-II, C-III, D-I

**Options :**

485584138573. 1  
485584138574. 2  
485584138575. 3  
485584138576. 4

**Question Number : 140 Question Id : 48558434645 Question Type : MCQ Option Shuffling : No Is Question Mandatory : No Calculator : None Response Time : N.A Think Time : N.A Minimum Instruction Time : 0**

**Correct Marks : 5 Wrong Marks : 1**

**Question Key Details :**

| Key           | Value |
|---------------|-------|
| Comprehension | MCQ   |

Match List I with List II

| LIST I |                      | LIST II |                  |
|--------|----------------------|---------|------------------|
| A.     | Turnbuckle Joint     | I.      | Journal Bearing  |
| B.     | Flange Joint         | II.     | Square Rod Joint |
| C.     | Bush Bearing         | III.    | Pipe Joint       |
| D.     | Gib and Cotter Joint | IV.     | Tie-rod Joint    |

Choose the **correct** answer from the options given below:

1. A-IV, B-III, C-I, D-II
2. A-I, B-II, C-III, D-IV
3. A-II, B-III, C-IV, D-I
4. A-III, B-II, C-IV, D-I

**Options :**

485584138577. 1  
485584138578. 2  
485584138579. 3  
485584138580. 4

**Question Number : 140 Question Id : 48558434645 Question Type : MCQ Option Shuffling : No Is Question Mandatory : No Calculator : None Response Time : N.A Think Time : N.A Minimum Instruction Time : 0**

**Correct Marks : 5 Wrong Marks : 1**

**Question Key Details :**

| Key           | Value |
|---------------|-------|
| Comprehension | MCQ   |

তালিকা I ৰ লগত তালিকা II মিলোৱা

| তালিকা I |                    | তালিকা II |                  |
|----------|--------------------|-----------|------------------|
| A.       | টাৰ্ণবাকল জইন্ট    | I.        | জাৰ্নেল বিয়েৰিং |
| B.       | ফ্লেঞ্জ জইন্ট      | II.       | স্কোৱাৰ ৰড জইন্ট |
| C.       | বুচ বিয়েৰিং       | III.      | পাইপ জইন্ট       |
| D.       | গীব আৰু কটাৰ জইন্ট | IV.       | টাই-ৰড জইন্ট     |

তলৰ বিকল্পসমূহৰ পৰা **শুদ্ধ** উত্তৰটো বাছি উলিওৱা:

1. A-IV, B-III, C-I, D-II
2. A-I, B-II, C-III, D-IV
3. A-II, B-III, C-IV, D-I
4. A-III, B-II, C-IV, D-I

**Options :**

485584138577. 1  
485584138578. 2  
485584138579. 3  
485584138580. 4

Sub-Section Number : 2  
Sub-Section Id : 4855842534  
Question Shuffling Allowed : No  
Is Section Default? : null

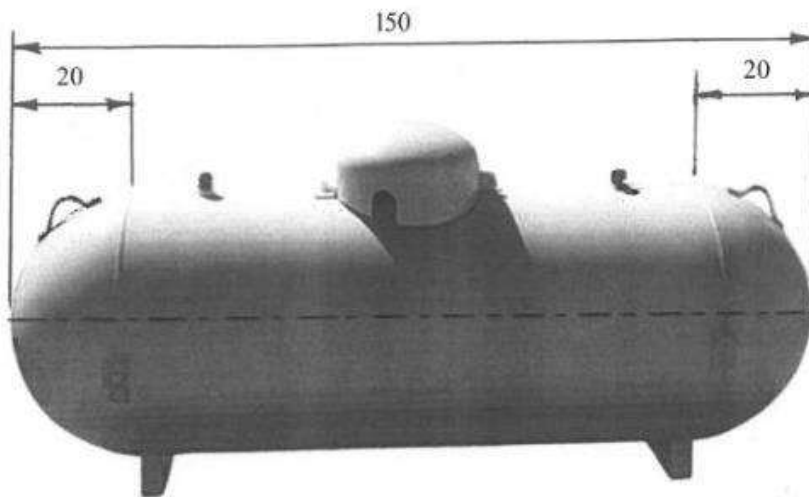
Question Number : 141 Question Id : 48558434646 Question Type : MCQ Option Shuffling : No Is Question Mandatory : No Calculator : None Response Time : N.A Think Time : N.A Minimum Instruction Time : 0

Correct Marks : 5 Wrong Marks : 1

Question Key Details :

| Key           | Value |
|---------------|-------|
| Comprehension | Comp1 |

Read the passage and answer the following question.



Rohan during his industrial visit saw a storage tank which is a combination of different solids he had studied in his class. For preparing his industrial visit report, he clicked pictures and measured dimensions of the tank and other machine parts in the industry. One such picture from his report is shown here (dimensions given are in meters). Ignore the thickness, stands, opening and other branches of the tank and answer the following questions.

The storage tank is the combination of \_\_\_\_\_.

1. two spheres and one cylinder
2. two hemispheres and one cylinder
3. one hemisphere and one cylinder
4. two cones and one cylinder

Options :

485584138581. 1  
485584138582. 2  
485584138583. 3  
485584138584. 4

Question Number : 141 Question Id : 48558434646 Question Type : MCQ Option Shuffling : No Is Question Mandatory : No Calculator : None Response Time : N.A Think Time : N.A Minimum Instruction Time : 0

Correct Marks : 5 Wrong Marks : 1

Question Key Details :

| Key           | Value |
|---------------|-------|
| Comprehension | Comp1 |

ৰোহনে উদ্যোগিক ক্ষেত্ৰ এখনলৈ যাওঁতে এটা Storage Tank দেখা পালে যিটো দুটা ধাতু বা বস্তুৰ সংমিশ্ৰণ বুলি যি শ্ৰেণীকোঠাত পঢ়িছিল। উদ্যোগিক ক্ষেত্ৰখনৰ ওপৰত এটা প্ৰতিবেদন বনাওতে সি ছবি মনত ক্লিক কৰি টেংক আৰু মেচিনৰ মাপবোৰ পালে। তাৰে এখন ফটো তাৰ প্ৰতিবেদনৰ পৰা দেখুওৱা হৈছে। প্ৰশ্নোত্তৰ কৰোতে ডাঠ বা বহল, ষ্টেন্দৰ লগতে টেংকৰ অন্য ভাগবোৰ উপেক্ষা কৰিবা।

সংৰক্ষিত গুদাম টেংকটো \_\_\_\_\_ ৰ সংমিশ্ৰণ।

1. দুটা গোলক আৰু এটা চুঙা
2. দুটা গোলাৰ্ধ আৰু এটা চুঙা
3. দুটা গোলাৰ্ধ আৰু এটা চুঙা
4. দুটা শংকু আৰু এটা চুঙা

Options :

485584138581. 1  
485584138582. 2  
485584138583. 3  
485584138584. 4

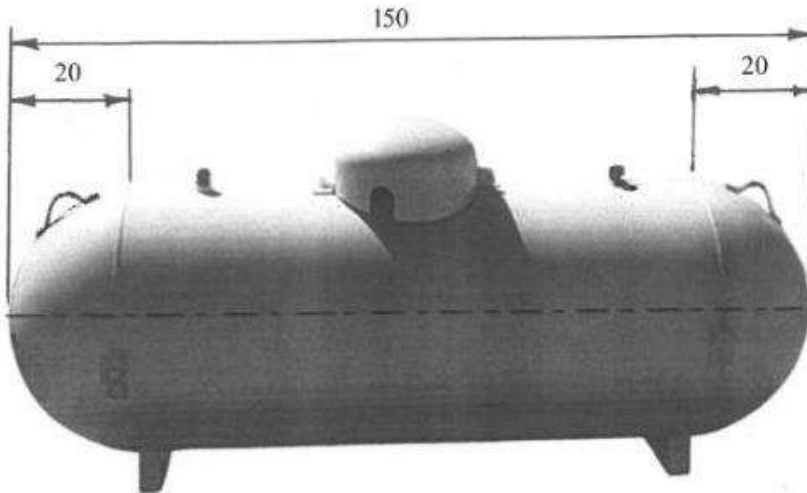
Question Number : 142 Question Id : 48558434647 Question Type : MCQ Option Shuffling : No Is Question Mandatory : No Calculator : None Response Time : N.A Think Time : N.A Minimum Instruction Time : 0

Correct Marks : 5 Wrong Marks : 1

Question Key Details :

| Key           | Value |
|---------------|-------|
| Comprehension | Comp1 |

Read the passage and answer the following question.



Rohan during his industrial visit saw a storage tank which is a combination of different solids he had studied in his class. For preparing his industrial visit report, he clicked pictures and measured dimensions of the tank and other machine parts in the industry. One such picture from his report is shown here (dimensions given are in meters). Ignore the thickness, stands, opening and other branches of the tank and answer the following questions.

The axial length of the cylindrical central portion in its isometric projection will be reduced to \_\_\_\_\_ (approximately).

1. 88 meter
2. 110 meter
3. 55 meter
4. 44 meter

**Options :**

- 485584138585. 1
- 485584138586. 2
- 485584138587. 3
- 485584138588. 4

**Question Number : 142 Question Id : 48558434647 Question Type : MCQ Option Shuffling : No Is Question Mandatory : No Calculator : None Response Time : N.A Think Time : N.A Minimum Instruction Time : 0**

**Correct Marks : 5 Wrong Marks : 1**

**Question Key Details :**

| Key           | Value |
|---------------|-------|
| Comprehension | Comp1 |



ৰোহনে উদ্যোগিক ক্ষেত্ৰ এখনলৈ যাওঁতে এটা Storage Tank দেখা পালে যিটো দুটা ধাতু বা বস্তুৰ সংমিশ্ৰণ বুলি যি শ্ৰেণীকোঠাত পঢ়িছিল। উদ্যোগিক ক্ষেত্ৰখনৰ ওপৰত এটা প্ৰতিবেদন বনাওতে সি ছবি মনত ক্লিক কৰি টেংক আৰু মেচিনৰ মাপবোৰ পালে। তাৰে এখন ফটো তাৰ প্ৰতিবেদনৰ পৰা দেখুওৱা হৈছে। প্ৰশ্নোত্তৰ কৰোতে ডাঠ বা বহল, ষ্টেন্দৰ লগতে টেংকৰ অন্য ভাগবোৰ উপেক্ষা কৰিবা।

চুঙাকৃতিৰ কেন্দ্ৰীয় অংশৰ অক্ষীয় দৈৰ্ঘ্য ইয়াৰ আইচ'মেট্ৰিক প্ৰ'জেকচনৰ সৈতে প্ৰায় \_\_\_\_\_ কমি যায়।

1. 88 মিটাৰ
2. 110 মিটাৰ
3. 55 মিটাৰ
4. 44 মিটাৰ

**Options :**

485584138585. 1  
485584138586. 2  
485584138587. 3  
485584138588. 4

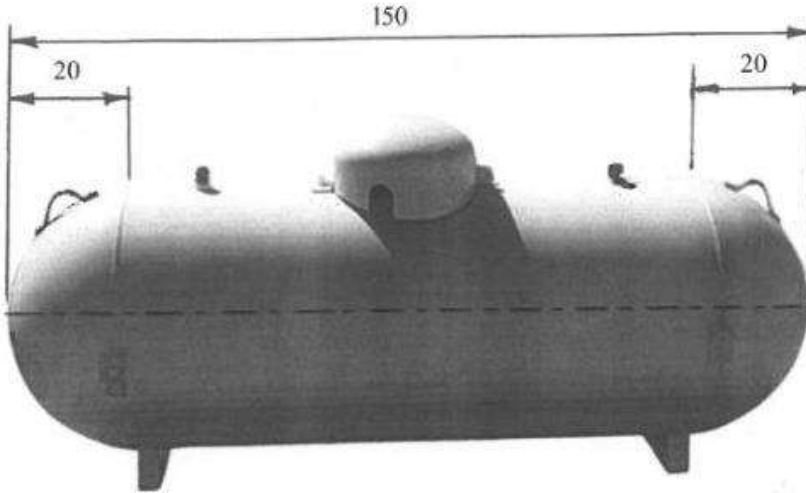
**Question Number : 143 Question Id : 48558434648 Question Type : MCQ Option Shuffling : No Is Question Mandatory : No Calculator : None Response Time : N.A Think Time : N.A Minimum Instruction Time : 0**

**Correct Marks : 5 Wrong Marks : 1**

**Question Key Details :**

| Key           | Value |
|---------------|-------|
| Comprehension | Comp1 |

Read the passage and answer the following question.



Rohan during his industrial visit saw a storage tank which is a combination of different solids he had studied in his class. For preparing his industrial visit report, he clicked pictures and measured dimensions of the tank and other machine parts in the industry. One such picture from his report is shown here (dimensions given are in meters). Ignore the thickness, stands, opening and other branches of the tank and answer the following questions.

In the side view of the tank, the diameter of the circle is \_\_\_\_\_.

1. 20 meter
2. 75 meter
3. 40 meter
4. 55 meter

**Options :**

485584138589. 1  
485584138590. 2  
485584138591. 3  
485584138592. 4

**Question Number : 143 Question Id : 48558434648 Question Type : MCQ Option Shuffling : No Is Question Mandatory : No Calculator : None Response Time : N.A Think Time : N.A Minimum Instruction Time : 0**

**Correct Marks : 5 Wrong Marks : 1**

**Question Key Details :**

| Key           | Value |
|---------------|-------|
| Comprehension | Comp1 |

ৰোহনে উদ্যোগিক ক্ষেত্ৰ এখনলৈ যাওঁতে এটা Storage Tank দেখা পালে যিটো দুটা ধাতু বা বস্তুৰ সংমিশ্ৰণ বুলি যি শ্ৰেণীকোঠাত পঢ়িছিল। উদ্যোগিক ক্ষেত্ৰখনৰ ওপৰত এটা প্ৰতিবেদন বনাওতে সি ছবি মনত ক্লিক কৰি টেংক আৰু মেচিনৰ মাপবোৰ পালে। তাৰে এখন ফটো তাৰ প্ৰতিবেদনৰ পৰা দেখুওৱা হৈছে। প্ৰশ্নোত্তৰ কৰোতে ডাঠ বা বহল, ষ্টেন্দৰ লগতে টেংকৰ অন্য ভাগবোৰ উপেক্ষা কৰিবা।

টেংকটোৰ কাষৰ দৃশ্যটোত বৃত্তৰ ব্যাস হ'ব-

1. 20 মিটাৰ
2. 75 মিটাৰ
3. 40 মিটাৰ
4. 55 মিটাৰ

**Options :**

485584138589. 1  
485584138590. 2  
485584138591. 3  
485584138592. 4

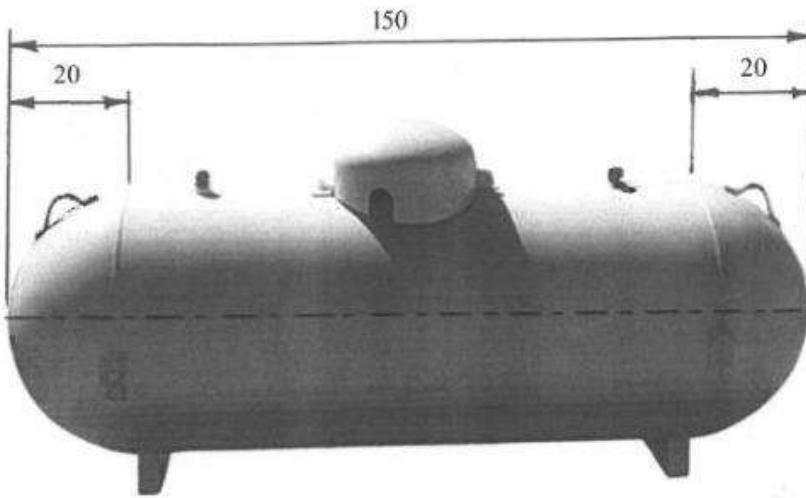
**Question Number : 144 Question Id : 48558434649 Question Type : MCQ Option Shuffling : No Is Question Mandatory : No Calculator : None Response Time : N.A Think Time : N.A Minimum Instruction Time : 0**

**Correct Marks : 5 Wrong Marks : 1**

**Question Key Details :**

| Key           | Value |
|---------------|-------|
| Comprehension | Comp1 |

Read the passage and answer the following question.



Rohan during his industrial visit saw a storage tank which is a combination of different solids he had studied in his class. For preparing his industrial visit report, he clicked pictures and measured dimensions of the tank and other machine parts in the industry. One such picture from his report is shown here (dimensions given are in meters). Ignore the thickness, stands, opening and other branches of the tank and answer the following questions.

According to the shown picture, choose a statement regarding the axis of the tank, which is **not possible** at all.

1. it is parallel to V.P.
2. it is parallel to H.P.
3. it is perpendicular to V.P.
4. it is perpendicular to H.P.

**Options :**

485584138593. 1  
485584138594. 2  
485584138595. 3  
485584138596. 4

**Question Number : 144 Question Id : 48558434649 Question Type : MCQ Option Shuffling : No Is Question Mandatory : No Calculator : None Response Time : N.A Think Time : N.A Minimum Instruction Time : 0**

**Correct Marks : 5 Wrong Marks : 1**

**Question Key Details :**

| Key           | Value |
|---------------|-------|
| Comprehension | Comp1 |

ৰোহনে উদ্যোগিক ক্ষেত্ৰ এখনলৈ যাওঁতে এটা Storage Tank দেখা পালে যিটো দুটা ধাতু বা বস্তুৰ সংমিশ্ৰণ বুলি যি শ্ৰেণীকোঠাত পঢ়িছিল। উদ্যোগিক ক্ষেত্ৰখনৰ ওপৰত এটা প্ৰতিবেদন বনাওতে সি ছবি মনত ক্লিক কৰি টেংক আৰু মেচিনৰ মাপবোৰ পালে। তাৰে এখন ফটো তাৰ প্ৰতিবেদনৰ পৰা দেখুওৱা হৈছে। প্ৰশ্নোত্তৰ কৰোতে ডাঠ বা বহল, ষ্টেন্দৰ লগতে টেংকৰ অন্য ভাগবোৰ উপেক্ষা কৰিবা।

চিত্ৰত দেখুওৱাৰ দৰে টেংকটোৰ কাৰণে কোনটো বিবৃতি **সম্ভৱ নহয়**।

1. ই V.P ৰ সমান্তৰাল
2. ই H.P ৰ সমান্তৰাল
3. ই V.P ৰ লম্ব
4. ই H.P ৰ লম্ব

**Options :**

485584138593. 1  
485584138594. 2  
485584138595. 3  
485584138596. 4

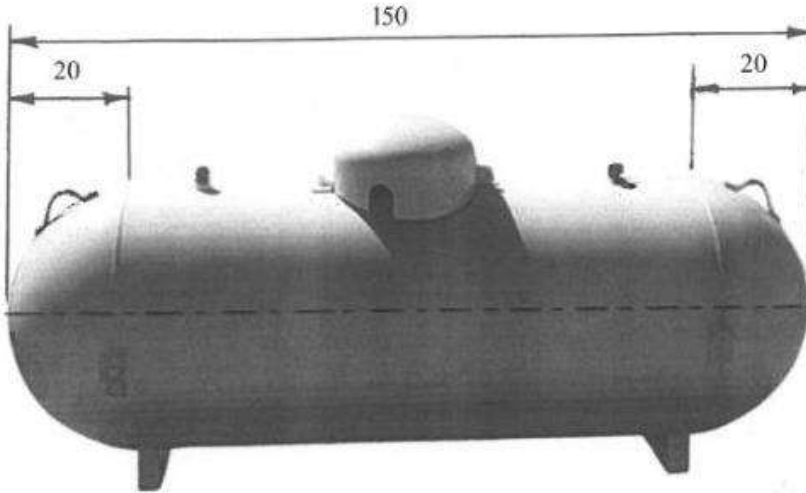
**Question Number : 145 Question Id : 48558434650 Question Type : MCQ Option Shuffling : No Is Question Mandatory : No Calculator : None Response Time : N.A Think Time : N.A Minimum Instruction Time : 0**

**Correct Marks : 5 Wrong Marks : 1**

**Question Key Details :**

| Key           | Value |
|---------------|-------|
| Comprehension | Comp1 |

Read the passage and answer the following question.



Rohan during his industrial visit saw a storage tank which is a combination of different solids he had studied in his class. For preparing his industrial visit report, he clicked pictures and measured dimensions of the tank and other machine parts in the industry. One such picture from his report is shown here (dimensions given are in meters). Ignore the thickness, stands, opening and other branches of the tank and answer the following questions.

The 2D figure required for drawing isometric projection of this tank is \_\_\_\_\_.

1. Ellipse
2. Pentagon
3. Hexagon
4. Triangle

**Options :**

485584138597. 1  
485584138598. 2  
485584138599. 3  
485584138600. 4

**Question Number : 145 Question Id : 48558434650 Question Type : MCQ Option Shuffling : No Is Question Mandatory : No Calculator : None Response Time : N.A Think Time : N.A Minimum Instruction Time : 0**

**Correct Marks : 5 Wrong Marks : 1**

**Question Key Details :**

| Key           | Value |
|---------------|-------|
| Comprehension | Comp1 |

ৰোহনে উদ্যোগিক ক্ষেত্ৰ এখনলৈ যাওঁতে এটা Storage Tank দেখা পালে যিটো দুটা ধাতু বা বস্তুৰ সংমিশ্ৰণ বুলি যি শ্ৰেণীকোঠাত পঢ়িছিল। উদ্যোগিক ক্ষেত্ৰখনৰ ওপৰত এটা প্ৰতিবেদন বনাওতে সি ছবি মনত ক্লিক কৰি টেংক আৰু মেচিনৰ মাপবোৰ পালে। তাৰে এখন ফটো তাৰ প্ৰতিবেদনৰ পৰা দেখুওৱা হৈছে। প্ৰশ্নোত্তৰ কৰোঁতে ডাঠ বা বহল, ষ্টেন্দৰ লগতে টেংকৰ অন্য ভাগবোৰ উপেক্ষা কৰিবা।

এই টেংকৰ আইছ'মেট্ৰিক প্ৰজেকচন এটা অংকণ কৰিবলৈ প্ৰয়োজনীয় 2D চিত্ৰ হৈছে \_\_\_\_\_।

1. উপবৃত্তাকাৰ
2. পঞ্চভূজ
3. ষষ্ঠভূজ
4. ত্ৰিভূজ

**Options :**

485584138597. 1  
 485584138598. 2  
 485584138599. 3  
 485584138600. 4

**Sub-Section Number :**

3

**Sub-Section Id :**

4855842535

**Question Shuffling Allowed :**

No

**Is Section Default? :**

null

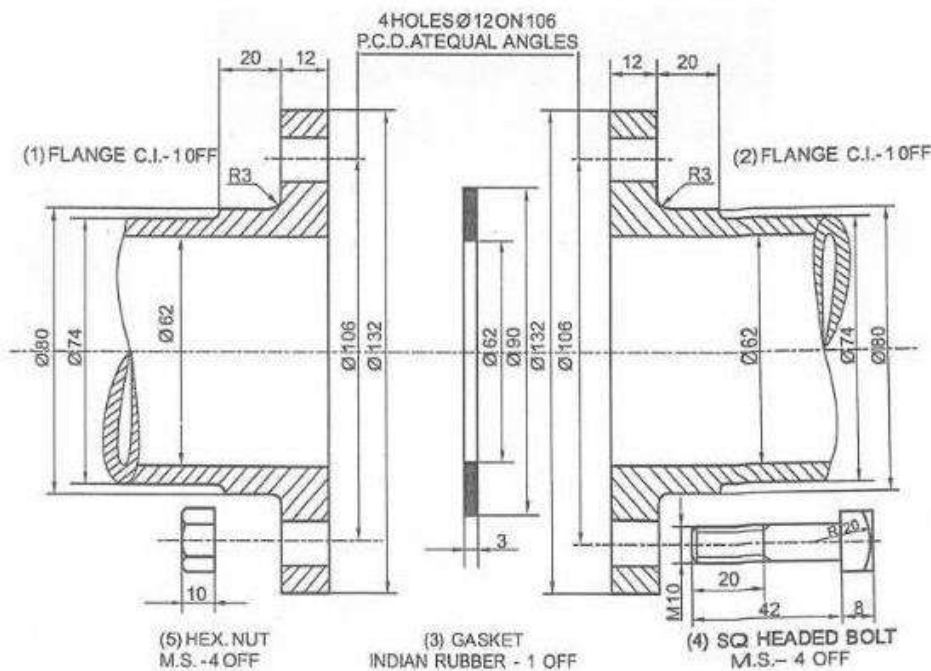
**Question Number : 146 Question Id : 48558434651 Question Type : MCQ Option Shuffling : No Is Question Mandatory : No Calculator : None Response Time : N.A Think Time : N.A Minimum Instruction Time : 0**

**Correct Marks : 5 Wrong Marks : 1**

**Question Key Details :**

| Key           | Value |
|---------------|-------|
| Comprehension | Comp2 |

The given figure shows the disassembled part of a Flange Pipe Joint. Answer the following question based on this drawing:



**DETAILS OF A FLANGE PIPE JOINT**

\_\_\_\_\_ is the inner diameter of the Pipe from which liquid / gas has to flow.

1. 62 mm
2. 90 mm
3. 74 mm
4. 80 mm

**Options :**

485584138601. 1  
485584138602. 2  
485584138603. 3  
485584138604. 4

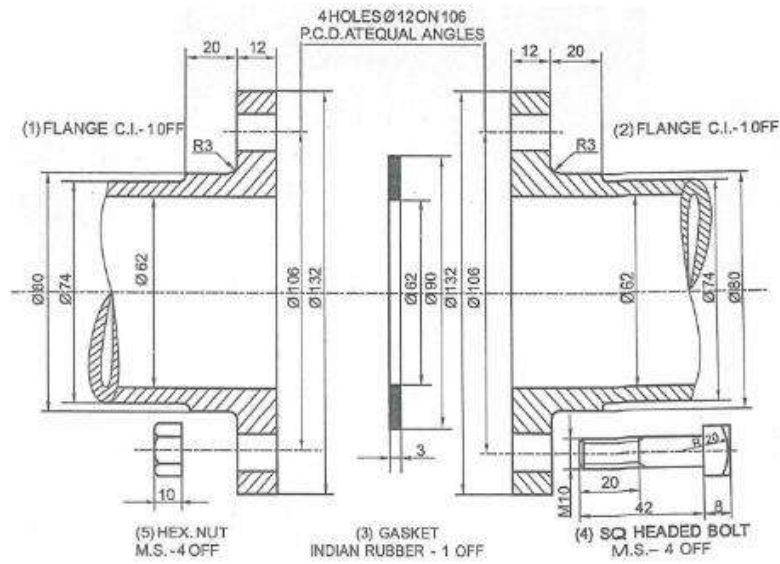
**Question Number : 146 Question Id : 48558434651 Question Type : MCQ Option Shuffling : No Is Question Mandatory : No Calculator : None Response Time : N.A Think Time : N.A Minimum Instruction Time : 0**

**Correct Marks : 5 Wrong Marks : 1**

**Question Key Details :**

| Key           | Value |
|---------------|-------|
| Comprehension | Comp2 |

উক্ত চিত্রটোত এটা ফ্লেঞ্জ পাইপ জইন্ট অসজ্জিত অংশসমূহ দেখুওৱা হৈছে। চিত্রটোৰ তলৰ প্ৰশ্নসমূহৰ উত্তৰ দিয়া।



**DETAILS OF A FLANGE PIPE JOINT**

পাইপৰ আন্তৰ্গতৰীণ ব্যাস \_\_\_\_\_ mm হ'লেহে জলীয় পদাৰ্থ বা গেছ চলাচল কৰিব পাৰিব।

1. 62
2. 90
3. 74
4. 80

**Options :**

- 485584138601. 1
- 485584138602. 2
- 485584138603. 3
- 485584138604. 4

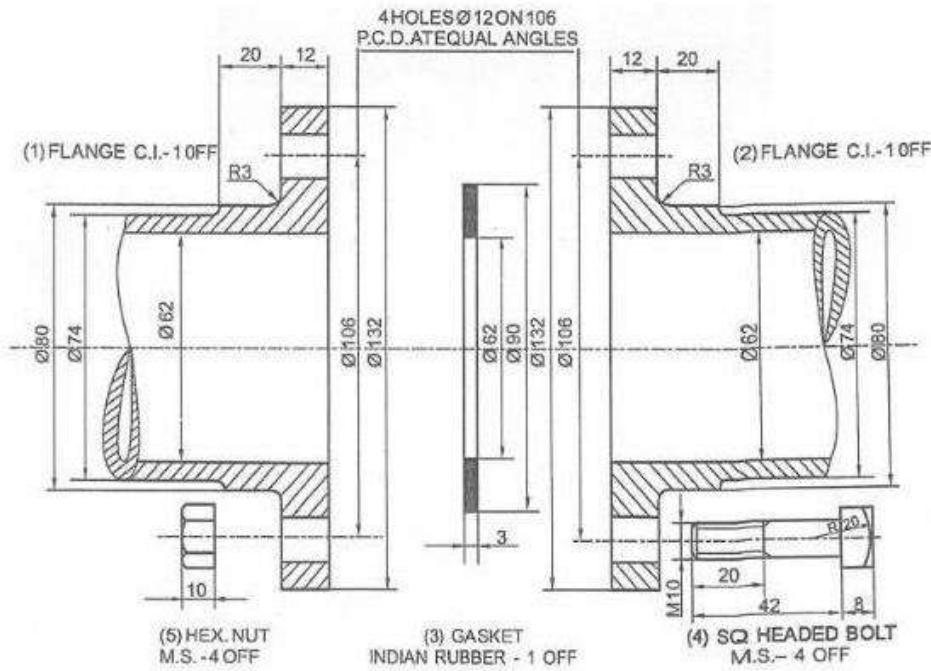
**Question Number : 147 Question Id : 48558434652 Question Type : MCQ Option Shuffling : No Is Question Mandatory : No Calculator : None Response Time : N.A Think Time : N.A Minimum Instruction Time : 0**

**Correct Marks : 5 Wrong Marks : 1**

**Question Key Details :**

| Key           | Value |
|---------------|-------|
| Comprehension | Comp2 |

The given figure shows the disassembled part of a Flange Pipe Joint. Answer the following question based on this drawing:



**DETAILS OF A FLANGE PIPE JOINT**



Choose the **correct** statement for the Flange:

1. It is a projected semicircular rim.
2. It is made thinner than pipe-walls.
3. It attaches to a shaft.
4. It serves to hold the pipe in place.

**Options :**

485584138605. 1  
485584138606. 2  
485584138607. 3  
485584138608. 4

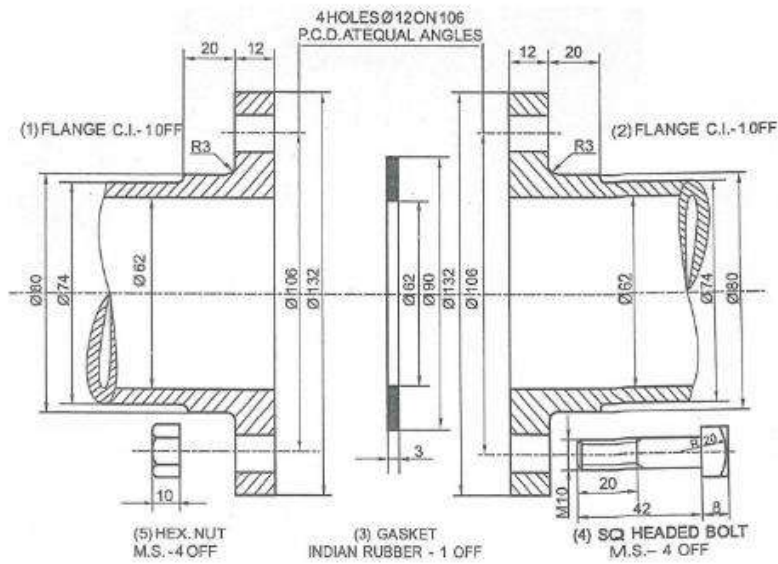
**Question Number : 147 Question Id : 48558434652 Question Type : MCQ Option Shuffling : No Is Question Mandatory : No Calculator : None Response Time : N.A Think Time : N.A Minimum Instruction Time : 0**

**Correct Marks : 5 Wrong Marks : 1**

**Question Key Details :**

| Key           | Value |
|---------------|-------|
| Comprehension | Comp2 |

উক্ত চিত্রটোত এটা ফ্লেঞ্জ পাইপ জইন্ট অসজ্জিত অংশসমূহ দেখুওৱা হৈছে। চিত্রটোৰ তলৰ প্ৰশ্নসমূহৰ উত্তৰ দিয়া।



DETAILS OF A FLANGE PIPE JOINT

ফ্লেঞ্জৰ কাৰণে কোনটো উক্তি শুদ্ধ?

1. ই এটা আৰ্ধবৃত্তাকাৰ ৰিম
2. ইয়াক পাইপ-ৱালতকৈ পাতলকৈ বনোৱা হৈছে
3. ই শ্বাফ্টৰ লগত সংযুক্ত
4. ইয়াক পাইপডালৰ একেই ঠাইত ধৰি ৰাখিবলৈ ব্যৱহাৰ কৰা হয়

Options :

485584138605. 1
485584138606. 2
485584138607. 3
485584138608. 4

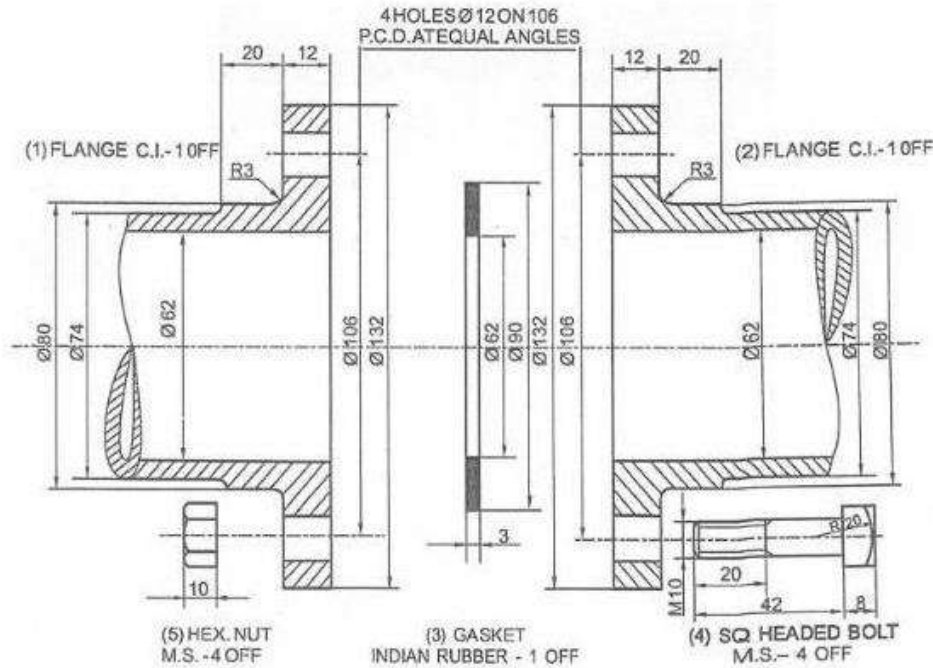
Question Number : 148 Question Id : 48558434653 Question Type : MCQ Option Shuffling : No Is Question Mandatory : No Calculator : None Response Time : N.A Think Time : N.A Minimum Instruction Time : 0

Correct Marks : 5 Wrong Marks : 1

Question Key Details :

| Key           | Value |
|---------------|-------|
| Comprehension | Comp2 |

The given figure shows the disassembled part of a Flange Pipe Joint. Answer the following question based on this drawing:



DETAILS OF A FLANGE PIPE JOINT

External diameter of the rubber Gasket is:

1. 132 mm
2. 62 mm
3. 74 mm
4. 90 mm

**Options :**

485584138609. 1  
485584138610. 2  
485584138611. 3  
485584138612. 4

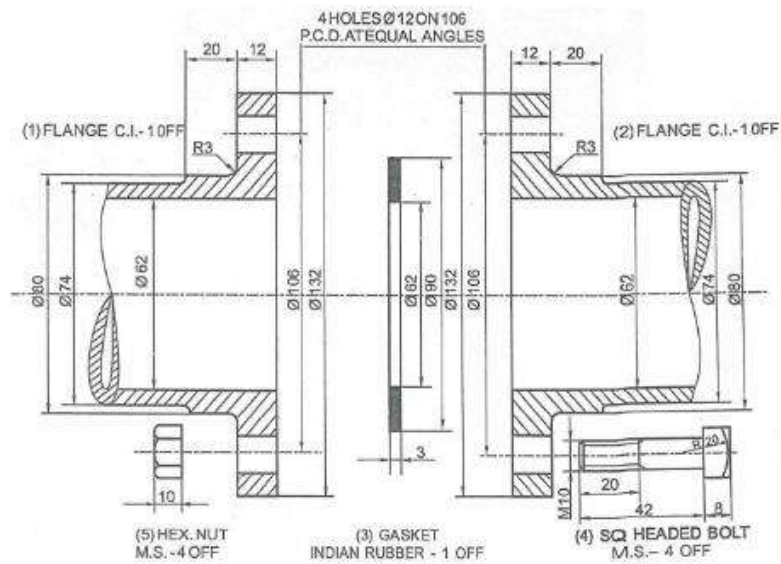
**Question Number : 148 Question Id : 48558434653 Question Type : MCQ Option Shuffling : No Is Question Mandatory : No Calculator : None Response Time : N.A Think Time : N.A Minimum Instruction Time : 0**

**Correct Marks : 5 Wrong Marks : 1**

**Question Key Details :**

| Key           | Value |
|---------------|-------|
| Comprehension | Comp2 |

উক্ত চিত্রটোত এটা ফ্লেঞ্জ পাইপ জইন্ট অসজ্জিত অংশসমূহ দেখুওৱা হৈছে। চিত্রটোৰ তলৰ প্ৰশ্নসমূহৰ উত্তৰ দিয়া।



DETAILS OF A FLANGE PIPE JOINT

ৰবৰ গাছকেটৰ বাহ্যিক ব্যাস কিমান?

1. 132 mm
2. 62 mm
3. 74 mm
4. 90 mm

**Options :**

485584138609. 1  
 485584138610. 2  
 485584138611. 3  
 485584138612. 4

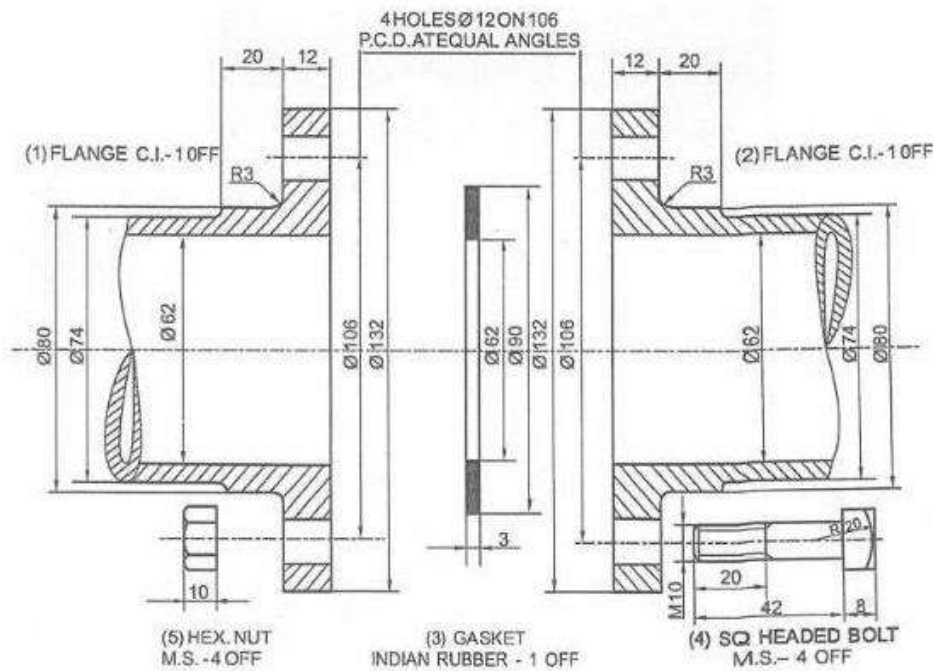
**Question Number : 149 Question Id : 48558434654 Question Type : MCQ Option Shuffling : No Is Question Mandatory : No Calculator : None Response Time : N.A Think Time : N.A Minimum Instruction Time : 0**

**Correct Marks : 5 Wrong Marks : 1**

**Question Key Details :**

| Key           | Value |
|---------------|-------|
| Comprehension | Comp2 |

The given figure shows the disassembled part of a Flange Pipe Joint. Answer the following question based on this drawing:



**DETAILS OF A FLANGE PIPE JOINT**

C.I. stands for :

1. Closed Interior
2. Crest Index
3. Cast Iron
4. Counter Iron

**Options :**

485584138613. 1  
485584138614. 2  
485584138615. 3  
485584138616. 4

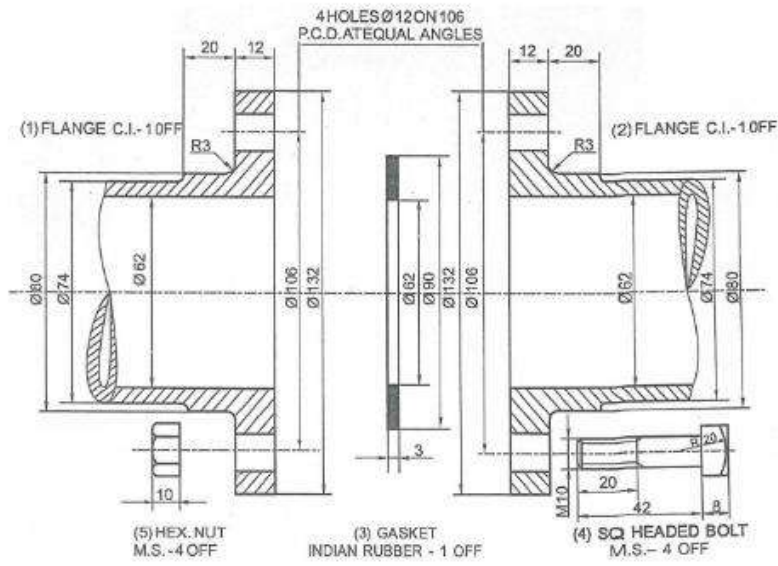
**Question Number : 149 Question Id : 48558434654 Question Type : MCQ Option Shuffling : No Is Question Mandatory : No Calculator : None Response Time : N.A Think Time : N.A Minimum Instruction Time : 0**

**Correct Marks : 5 Wrong Marks : 1**

**Question Key Details :**

| Key           | Value |
|---------------|-------|
| Comprehension | Comp2 |

উক্ত চিত্রটোত এটা ফ্লেঞ্জ পাইপ জইন্ট অসজ্জিত অংশসমূহ দেখুওৱা হৈছে। চিত্রটোৰ তলৰ প্ৰশ্নসমূহৰ উত্তৰ দিয়া।



DETAILS OF A FLANGE PIPE JOINT

C.I. মানে-

1. বন্ধ আভ্যন্তরীণ ক্ষেত্র
2. ক্রেস্ট সূচী
3. কাষ্ট আইরণ
4. কাউন্টার আইরণ

Options :

485584138613. 1  
485584138614. 2  
485584138615. 3  
485584138616. 4

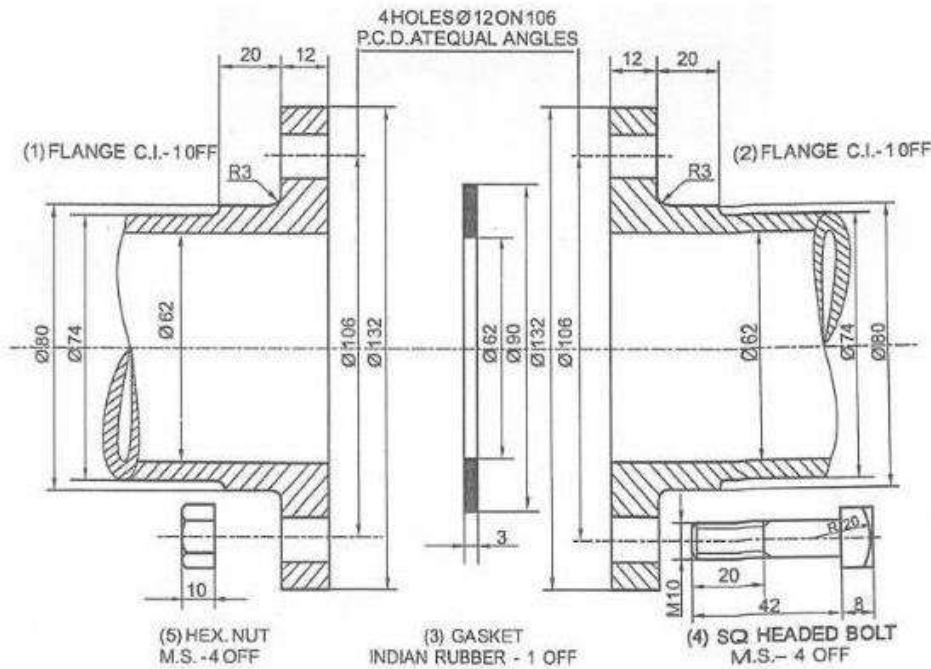
Question Number : 150 Question Id : 48558434655 Question Type : MCQ Option Shuffling : No Is Question Mandatory : No Calculator : None Response Time : N.A Think Time : N.A Minimum Instruction Time : 0

Correct Marks : 5 Wrong Marks : 1

Question Key Details :

| Key           | Value |
|---------------|-------|
| Comprehension | Comp2 |

The given figure shows the disassembled part of a Flange Pipe Joint. Answer the following question based on this drawing:



DETAILS OF A FLANGE PIPE JOINT

The thickness of pipe walls can be increased when \_\_\_\_\_.

1. pressure is low
2. pressure is high
3. length of pipe has to be increased
4. length of pipe has to be decreased

**Options :**

485584138617. 1  
 485584138618. 2  
 485584138619. 3  
 485584138620. 4

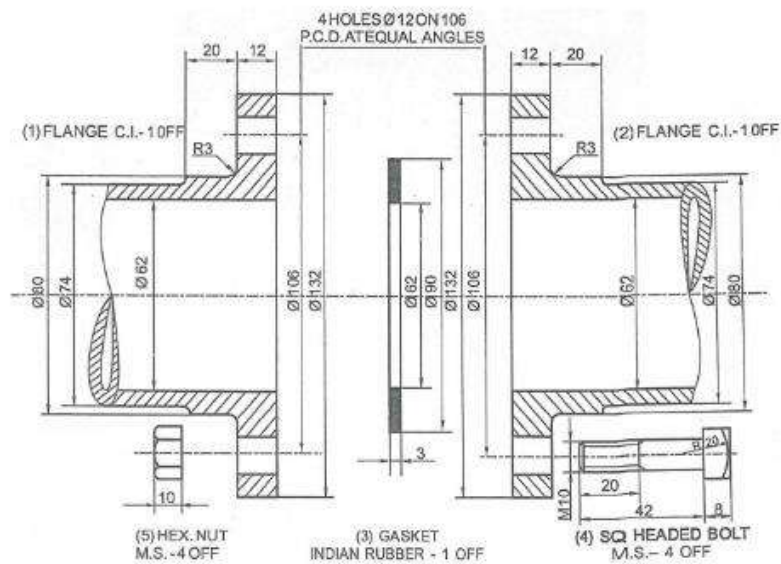
**Question Number : 150 Question Id : 48558434655 Question Type : MCQ Option Shuffling : No Is Question Mandatory : No Calculator : None Response Time : N.A Think Time : N.A Minimum Instruction Time : 0**

**Correct Marks : 5 Wrong Marks : 1**

**Question Key Details :**

| Key           | Value |
|---------------|-------|
| Comprehension | Comp2 |

উক্ত চিত্রটোত এটা ফ্লেঞ্জ পাইপ জইন্ট অসজ্জিত অংশসমূহ দেখুওৱা হৈছে। চিত্রটোৰ তলৰ প্ৰশ্নসমূহৰ উত্তৰ দিয়া।



**DETAILS OF A FLANGE PIPE JOINT**

পাইপ ৰালৰ বেধ বৃদ্ধি কৰিব পাৰি যেতিয়া \_\_\_\_\_ ।

1. চাপ কম হয়
2. চাপ বেছি হয়
3. পাইপডালৰ দৈৰ্ঘ্য বৃদ্ধি কৰা যাব
4. পাইপডালৰ দৈৰ্ঘ্য হ্রাস কৰা যাব

**Options :**

485584138617. 1  
485584138618. 2  
485584138619. 3  
485584138620. 4

## Geography

|                               |           |
|-------------------------------|-----------|
| Group Number :                | 9         |
| Group Id :                    | 485584776 |
| Group Maximum Duration :      | 45        |
| Group Minimum Duration :      | 45        |
| Show Attended Group? :        | No        |
| Edit Attended Group? :        | No        |
| Break time :                  | 0         |
| Group Marks :                 | 200       |
| Is this Group for Examiner? : | No        |
| Examiner permission :         | Cant View |
| Show Progress Bar? :          | No        |

## Geography

|  |            |
|--|------------|
| Section Id :   | 485584894  |
| Section Number :   | 1          |
| Section type :   | Online     |
| Mandatory or Optional :                                      | Mandatory  |
| Number of Questions :  | 50         |
| Number of Questions to be attempted :                        | 40         |
| Section Marks :  | 200        |
| Enable Mark as Answered Mark for Review and Clear Response : | Yes        |
| Maximum Instruction Time :                                   | 0          |
| Sub-Section Number :   | 1          |
| Sub-Section Id :   | 4855842536 |
| Question Shuffling Allowed :                                 | Yes        |
| Is Section Default? :  | null       |

Question Number : 151 Question Id : 48558434056 Question Type : MCQ Option Shuffling : No Is Question Mandatory :  
No Calculator : None Response Time : N.A Think Time : N.A Minimum Instruction Time : 0

Correct Marks : 5 Wrong Marks : 1

Question Key Details :

| Key | Value |
|-----|-------|
|-----|-------|



|               |     |
|---------------|-----|
| Comprehension | MCQ |
|---------------|-----|

The concept neither there is a situation of absolute necessity nor absolute freedom is called :

1. Environmentalism
2. Probablism
3. Possibilism
4. Neo-determinism

**Options :**

- 485584136221. 1
- 485584136222. 2
- 485584136223. 3
- 485584136224. 4

**Question Number : 152 Question Id : 48558434057 Question Type : MCQ Option Shuffling : No Is Question Mandatory : No Calculator : None Response Time : N.A Think Time : N.A Minimum Instruction Time : 0**

**Correct Marks : 5 Wrong Marks : 1**

**Question Key Details :**

| Key           | Value |
|---------------|-------|
| Comprehension | MCQ   |

Radical school approach in human geography is related to \_\_\_\_\_.

1. encyclo paetic description of the area
2. indentifying the Uniqueness of any region
3. indentifying mappable pattern for different human activities
4. explaining the basic cause of poverty and social inequality

**Options :**

- 485584136225. 1
- 485584136226. 2
- 485584136227. 3
- 485584136228. 4

**Question Number : 153 Question Id : 48558434058 Question Type : MCQ Option Shuffling : No Is Question Mandatory : No Calculator : None Response Time : N.A Think Time : N.A Minimum Instruction Time : 0**

**Correct Marks : 5 Wrong Marks : 1**

**Question Key Details :**

| Key           | Value |
|---------------|-------|
| Comprehension | MCQ   |

Discontentment with quantitative revolution did not lead to the emergence of \_\_\_\_\_.

1. Humanistic school of geography
2. Radical Geography
3. Regional Geography
4. Behavioural Geography

**Options :**

485584136229. 1  
485584136230. 2  
485584136231. 3  
485584136232. 4

**Question Number : 154 Question Id : 48558434059 Question Type : MCQ Option Shuffling : No Is Question Mandatory : No Calculator : None Response Time : N.A Think Time : N.A Minimum Instruction Time : 0**

**Correct Marks : 5 Wrong Marks : 1**

**Question Key Details :**

| Key           | Value |
|---------------|-------|
| Comprehension | MCQ   |

\_\_\_\_\_ is a sub-field of social Geography.

1. Geography of Leisure
2. Geography of Resources
3. Geography of Tourism
4. Geography to Agriculture

**Options :**

485584136233. 1  
485584136234. 2  
485584136235. 3  
485584136236. 4

**Question Number : 155 Question Id : 48558434060 Question Type : MCQ Option Shuffling : No Is Question Mandatory : No Calculator : None Response Time : N.A Think Time : N.A Minimum Instruction Time : 0**

**Correct Marks : 5 Wrong Marks : 1**

**Question Key Details :**

| Key           | Value |
|---------------|-------|
| Comprehension | MCQ   |

Demographic Transition Theory can be used to describe and predict :

1. People participation in different categories of economic activities
2. Future population of an area
3. Gender based classification of population of an area
4. Working and depend and population of an area

**Options :**

485584136237. 1  
485584136238. 2  
485584136239. 3  
485584136240. 4

**Question Number : 156 Question Id : 48558434061 Question Type : MCQ Option Shuffling : No Is Question Mandatory : No Calculator : None Response Time : N.A Think Time : N.A Minimum Instruction Time : 0**

**Correct Marks : 5 Wrong Marks : 1**

**Question Key Details :**

| Key           | Value |
|---------------|-------|
| Comprehension | MCQ   |

Which programme was introduced by the Government of India to address the issue of decline in child sex ratio?

1. Beti Bachao Beti Padhao
2. Beti Samjhao Beto Padhao
3. Beti Samjhao Beti Bachao
4. Beti Batao Beti Badhao

**Options :**

485584136241. 1  
485584136242. 2  
485584136243. 3  
485584136244. 4

**Question Number : 157 Question Id : 48558434062 Question Type : MCQ Option Shuffling : No Is Question Mandatory : No Calculator : None Response Time : N.A Think Time : N.A Minimum Instruction Time : 0**

**Correct Marks : 5 Wrong Marks : 1**

**Question Key Details :**

| Key           | Value |
|---------------|-------|
| Comprehension | MCQ   |

International Labour Organisation (ILO) proposed \_\_\_\_\_ for human development measurement.

1. basic needs approach
2. income approach
3. welfare approach
4. capability approach

**Options :**

485584136245. 1  
485584136246. 2  
485584136247. 3  
485584136248. 4

**Question Number : 158 Question Id : 48558434063 Question Type : MCQ Option Shuffling : No Is Question Mandatory : No Calculator : None Response Time : N.A Think Time : N.A Minimum Instruction Time : 0**

**Correct Marks : 5 Wrong Marks : 1**

**Question Key Details :**

| Key           | Value |
|---------------|-------|
| Comprehension | MCQ   |

The process of migration from plain areas to pastures on mountain during summers and again from mountain pastures to plain areas during winter is known as \_\_\_\_\_.

1. immigration
2. migration
3. transhumance
4. emigration

**Options :**

485584136249. 1  
485584136250. 2  
485584136251. 3  
485584136252. 4

**Question Number : 159 Question Id : 48558434064 Question Type : MCQ Option Shuffling : No Is Question Mandatory : No Calculator : None Response Time : N.A Think Time : N.A Minimum Instruction Time : 0**

**Correct Marks : 5 Wrong Marks : 1**

**Question Key Details :**

| Key           | Value |
|---------------|-------|
| Comprehension | MCQ   |

'Chicago-Gary' is a major industrial region of \_\_\_\_\_.

1. Europe
2. Australia
3. Canada
4. United States of America

**Options :**

- 485584136253. 1
- 485584136254. 2
- 485584136255. 3
- 485584136256. 4

**Question Number : 160 Question Id : 48558434065 Question Type : MCQ Option Shuffling : No Is Question Mandatory : No Calculator : None Response Time : N.A Think Time : N.A Minimum Instruction Time : 0**

**Correct Marks : 5 Wrong Marks : 1**

**Question Key Details :**

| Key           | Value |
|---------------|-------|
| Comprehension | MCQ   |

Which of the following sea route is called as Big Trunk Route ?

1. North Pacific Sea Route
2. Northen Atlantic Sea Route
3. Cape of Good Hope Sea Route
4. Southern Atlantic Sea Route

**Options :**

- 485584136257. 1
- 485584136258. 2
- 485584136259. 3
- 485584136260. 4

**Question Number : 161 Question Id : 48558434066 Question Type : MCQ Option Shuffling : No Is Question Mandatory : No Calculator : None Response Time : N.A Think Time : N.A Minimum Instruction Time : 0**

**Correct Marks : 5 Wrong Marks : 1**

**Question Key Details :**

| Key           | Value |
|---------------|-------|
| Comprehension | MCQ   |

Which of the following country has the highest density of rail network ?

1. Africa
2. Canada
3. Asia
4. Australia

**Options :**

485584136261. 1  
485584136262. 2  
485584136263. 3  
485584136264. 4

**Question Number : 162 Question Id : 48558434067 Question Type : MCQ Option Shuffling : No Is Question Mandatory : No Calculator : None Response Time : N.A Think Time : N.A Minimum Instruction Time : 0**

**Correct Marks : 5 Wrong Marks : 1**

**Question Key Details :**

| Key           | Value |
|---------------|-------|
| Comprehension | MCQ   |

The Union of Conurbations is called \_\_\_\_\_.

1. Megopolis
2. Conurbation
3. Metropolitan
4. Million City

**Options :**

485584136265. 1  
485584136266. 2  
485584136267. 3  
485584136268. 4

**Question Number : 163 Question Id : 48558434068 Question Type : MCQ Option Shuffling : No Is Question Mandatory : No Calculator : None Response Time : N.A Think Time : N.A Minimum Instruction Time : 0**

**Correct Marks : 5 Wrong Marks : 1**

**Question Key Details :**

| Key           | Value |
|---------------|-------|
| Comprehension | MCQ   |

Arrange the following regions in ascending order according to growth rate of population (2010-15).

- A. Oceania
- B. Europe
- C. Asia
- D. Africa

Choose the correct answer from the options given below :

1. (B), (C), (A), (D)
2. (B), (A), (C), (D)
3. (B), (D), (A), (C)
4. (A), (B), (C), (D)

**Options :**

- 485584136269. 1
- 485584136270. 2
- 485584136271. 3
- 485584136272. 4

**Question Number : 164 Question Id : 48558434069 Question Type : MCQ Option Shuffling : No Is Question Mandatory : No Calculator : None Response Time : N.A Think Time : N.A Minimum Instruction Time : 0**

**Correct Marks : 5 Wrong Marks : 1**

**Question Key Details :**

| Key           | Value |
|---------------|-------|
| Comprehension | MCQ   |

Arrange the following stations of Trans Siberian Railway from East to West direction.

- A. Chita
- B. Vladivostak
- C. Moscow
- D. Omsk

Choose the correct answer from the options given below :

1. (A), (B), (C), (D)
2. (B), (A), (D), (C)
3. (B), (A), (C), (D)
4. (A), (B), (C), (D)

**Options :**

- 485584136273. 1
- 485584136274. 2
- 485584136275. 3
- 485584136276. 4

**Question Number : 165 Question Id : 48558434070 Question Type : MCQ Option Shuffling : No Is Question Mandatory : No Calculator : None Response Time : N.A Think Time : N.A Minimum Instruction Time : 0**

**Correct Marks : 5 Wrong Marks : 1**

**Question Key Details :**

| Key           | Value |
|---------------|-------|
| Comprehension | MCQ   |

Arrange the following mega cities of the world in descending order according to population (2016).

- A. Shanghai
- B. Beijing
- C. Sao Paulo
- D. Tokyo

Choose the correct answer from the options given below :

1. (D), (A), (C), (B)
2. (D), (A), (B), (C)
3. (A), (D), (B), (C)
4. (A), (D), (C), (B)

**Options :**

- 485584136277. 1
- 485584136278. 2
- 485584136279. 3
- 485584136280. 4

**Question Number : 166 Question Id : 48558434071 Question Type : MCQ Option Shuffling : No Is Question Mandatory : No Calculator : None Response Time : N.A Think Time : N.A Minimum Instruction Time : 0**

**Correct Marks : 5 Wrong Marks : 1**

**Question Key Details :**

| Key           | Value |
|---------------|-------|
| Comprehension | MCQ   |

Read the following statements about demographic transition theory carefully :

- A. The first stage has high fertility and high mortality
- B. Fertility remains high in beginning of second stage
- C. In the last stage both fertility and mortality declined considerably
- D. This theory cannot be used to describe and predict the future population of any area

Choose the correct answer from the options given below :

1. (A), (B), (C) only
2. (A), (B), (D) only
3. (A), (C), (D) only
4. (B), (C), (D) only



**Options :**

- 485584136281. 1
- 485584136282. 2
- 485584136283. 3
- 485584136284. 4

**Question Number : 167 Question Id : 48558434072 Question Type : MCQ Option Shuffling : No Is Question Mandatory : No Calculator : None Response Time : N.A Think Time : N.A Minimum Instruction Time : 0**

**Correct Marks : 5 Wrong Marks : 1**

**Question Key Details :**

| Key           | Value |
|---------------|-------|
| Comprehension | MCQ   |

Identify the characteristics of compact or nucleated settlements :

- A. Houses are built very close to each other.
- B. Communities share common occupation.
- C. Mainly found in fertile plains.
- D. Houses are interspersed with fields.

Choose the correct answer from the options given below :

- 1. (A), (B), (D) only
- 2. (A), (C), (D) only
- 3. (B), (C), (D) only
- 4. (A), (B), (C) only

**Options :**

- 485584136285. 1
- 485584136286. 2
- 485584136287. 3
- 485584136288. 4

**Question Number : 168 Question Id : 48558434073 Question Type : MCQ Option Shuffling : No Is Question Mandatory : No Calculator : None Response Time : N.A Think Time : N.A Minimum Instruction Time : 0**

**Correct Marks : 5 Wrong Marks : 1**

**Question Key Details :**

| Key           | Value |
|---------------|-------|
| Comprehension | MCQ   |

Match List I with List II

| LIST I<br>(Concept) |                        | LIST II<br>(Definition) |   |
|---------------------|------------------------|-------------------------|---|
| A.                  | Density of population  | I.                      | The working population participation in various occupations |
| B.                  | Sex Ratio              | II.                     | Numbers of people in different age groups                   |
| C.                  | Age structure          | III.                    | Ratio between the number of women and men                   |
| D.                  | Occupational Structure | IV.                     | Ratio between the numbers of people to size of land         |

Choose the correct answer from the options given below:

1. (A)-(IV), (B)-(III), (C)-(II), (D)-(I)
2. (A)-(IV), (B)-(II), (C)-(III), (D)-(I)
3. (A)-(I), (B)-(II), (C)-(IV), (D)-(III)
4. (A)-(IV), (B)-(I), (C)-(III), (D)-(II)

**Options :**

485584136289. 1  
485584136290. 2  
485584136291. 3  
485584136292. 4

**Question Number : 169 Question Id : 48558434074 Question Type : MCQ Option Shuffling : No Is Question Mandatory : No Calculator : None Response Time : N.A Think Time : N.A Minimum Instruction Time : 0**

**Correct Marks : 5 Wrong Marks : 1**

**Question Key Details :**

| Key           | Value |
|---------------|-------|
| Comprehension | MCQ   |

Match List I with List II

| LIST I<br>(Trains Continental Railways) |   | LIST II<br>(Stations) |                               |
|---|---|-----------------------|-------------------------------|
| A.                                      | Trans-Siberian Railways                   | I.                    | Perth to Sydney               |
| B.                                      | Tran-Canadian Railways                    | II.                   | St. Petersburg to Vladivostok |
| C.                                      | The Union and Pacific Railways            | III.                  | New York to San Francisco     |
| D.                                      | The Australian Trans-continental Railways | IV.                   | Halifax to Vancouver          |

Choose the correct answer from the options given below:

1. (A)-(II), (B)-(I), (C)-(IV), (D)-(III)
2. (A)-(II), (B)-(IV), (C)-(III), (D)-(I)
3. (A)-(II), (B)-(III), (C)-(IV), (D)-(I)
4. (A)-(IV), (B)-(III), (C)-(I), (D)-(II)

**Options :**

485584136293. 1  
485584136294. 2  
485584136295. 3  
485584136296. 4

**Question Number : 170 Question Id : 48558434075 Question Type : MCQ Option Shuffling : No Is Question Mandatory : No Calculator : None Response Time : N.A Think Time : N.A Minimum Instruction Time : 0**

**Correct Marks : 5 Wrong Marks : 1**

**Question Key Details :**

| Key           | Value |
|---------------|-------|
| Comprehension | MCQ   |

Match List I with List II

| LIST I<br>(Aspects<br>of International Trade) |                      | LIST II<br>(Characteristics) |   |
|---|----------------------|------------------------------|---|
| A.  | Multi-lateral Trade  | I.                           | Trade is done by two countries with each other                      |
| B.  | Volume of Trade      | II.                          | The nature of goods and services imported and exported by countries |
| C.  | Composition of Trade | III.                         | Trade is conducted with many trading countries                      |
| D.  | Bilateral Trade      | IV.                          | The total value of goods and services traded                        |

Choose the correct answer from the options given below:

1. (A)-(III), (B)-(IV), (C)-(I), (D)-(II)
2. (A)-(III), (B)-(IV), (C)-(II), (D)-(I)
3. (A)-(III), (B)-(II), (C)-(IV), (D)-(I)
4. (A)-(IV), (B)-(II), (C)-(III), (D)-(I)

**Options :**

485584136297. 1  
485584136298. 2  
485584136299. 3  
485584136300. 4

**Question Number : 171 Question Id : 48558434076 Question Type : MCQ Option Shuffling : No Is Question Mandatory : No Calculator : None Response Time : N.A Think Time : N.A Minimum Instruction Time : 0**

**Correct Marks : 5 Wrong Marks : 1**

**Question Key Details :**

| Key           | Value |
|---------------|-------|
| Comprehension | MCQ   |

According to 2011, the highest population density is recorded in \_\_\_\_\_

1. West Bengal
2. Kerala
3. Bihar
4. Uttar Pradesh

**Options :**

485584136301. 1  
485584136302. 2  
485584136303. 3  
485584136304. 4

**Question Number : 172 Question Id : 48558434077 Question Type : MCQ Option Shuffling : No Is Question Mandatory : No Calculator : None Response Time : N.A Think Time : N.A Minimum Instruction Time : 0**

**Correct Marks : 5 Wrong Marks : 1**

**Question Key Details :**

| Key           | Value |
|---------------|-------|
| Comprehension | MCQ   |

Both the birth rate and death rate were high in India during \_\_\_\_\_.

1. 1901 - 1921
2. 1921 - 1951
3. 1951 - 1981
4. After 1981

**Options :**

- 485584136305. 1
- 485584136306. 2
- 485584136307. 3
- 485584136308. 4

**Question Number : 173 Question Id : 48558434078 Question Type : MCQ Option Shuffling : No Is Question Mandatory : No Calculator : None Response Time : N.A Think Time : N.A Minimum Instruction Time : 0**

**Correct Marks : 5 Wrong Marks : 1**

**Question Key Details :**

| Key           | Value |
|---------------|-------|
| Comprehension | MCQ   |

Arunachal Pradesh is dominated by the speakers of \_\_\_\_\_ family of Indian language.

1. Austric
2. Dravidian
3. Sino-Tibetan
4. Indo-European

**Options :**

- 485584136309. 1
- 485584136310. 2
- 485584136311. 3
- 485584136312. 4

**Question Number : 174 Question Id : 48558434079 Question Type : MCQ Option Shuffling : No Is Question Mandatory : No Calculator : None Response Time : N.A Think Time : N.A Minimum Instruction Time : 0**

**Correct Marks : 5 Wrong Marks : 1**

**Question Key Details :**

| Key           | Value |
|---------------|-------|
| Comprehension | MCQ   |

The Agenda - 21 Report of the Rio Conference was published in \_\_\_\_\_.

1. 1972
2. 1974
3. 1987
4. 1993

**Options :**

- 485584136313. 1
- 485584136314. 2
- 485584136315. 3
- 485584136316. 4

**Question Number : 175 Question Id : 48558434080 Question Type : MCQ Option Shuffling : No Is Question Mandatory : No Calculator : None Response Time : N.A Think Time : N.A Minimum Instruction Time : 0**

**Correct Marks : 5 Wrong Marks : 1**

**Question Key Details :**

| Key           | Value |
|---------------|-------|
| Comprehension | MCQ   |

Which one of the following is a garrison contonment town ?

1. Chandigarh
2. Satna
3. Raniganj
4. Udhampur

**Options :**

- 485584136317. 1
- 485584136318. 2
- 485584136319. 3
- 485584136320. 4

**Question Number : 176 Question Id : 48558434081 Question Type : MCQ Option Shuffling : No Is Question Mandatory : No Calculator : None Response Time : N.A Think Time : N.A Minimum Instruction Time : 0**

**Correct Marks : 5 Wrong Marks : 1**

**Question Key Details :**

| Key           | Value |
|---------------|-------|
| Comprehension | MCQ   |

A population size of 5000 - 9,999 is put into which class of town according to 2011 census of India ?

1. Class – III
2. Class – IV
3. Class – V
4. Class – VI

**Options :**

- 485584136321. 1
- 485584136322. 2
- 485584136323. 3
- 485584136324. 4

**Question Number : 177 Question Id : 48558434082 Question Type : MCQ Option Shuffling : No Is Question Mandatory : No Calculator : None Response Time : N.A Think Time : N.A Minimum Instruction Time : 0**

**Correct Marks : 5 Wrong Marks : 1**

**Question Key Details :**

| Key           | Value |
|---------------|-------|
| Comprehension | MCQ   |

Which one of the following minerals is mainly used in the electrical and electronic industries ?

1. Graphite
2. Mica
3. Manganese
4. Bauxite

**Options :**

- 485584136325. 1
- 485584136326. 2
- 485584136327. 3
- 485584136328. 4

**Question Number : 178 Question Id : 48558434083 Question Type : MCQ Option Shuffling : No Is Question Mandatory : No Calculator : None Response Time : N.A Think Time : N.A Minimum Instruction Time : 0**

**Correct Marks : 5 Wrong Marks : 1**

**Question Key Details :**

| Key           | Value |
|---------------|-------|
| Comprehension | MCQ   |

Which of the following energy plant has been commissioned at Manikaran ?

1. Wind Energy
2. Bio Energy
3. Solar Energy
4. Geothermal Energy

**Options :**

485584136329. 1  
485584136330. 2  
485584136331. 3  
485584136332. 4

**Question Number : 179 Question Id : 48558434084 Question Type : MCQ Option Shuffling : No Is Question Mandatory : No Calculator : None Response Time : N.A Think Time : N.A Minimum Instruction Time : 0**

**Correct Marks : 5 Wrong Marks : 1**

**Question Key Details :**

| Key           | Value |
|---------------|-------|
| Comprehension | MCQ   |

Which steel plant in India has a supply of iron ore from Noamundi, coal from Joda mines, and water from Kharkai river ?

1. Indian Iron and Steel Company (IISCO)
2. Tata Iron and Steel Company (TISCO)
3. Visvesvaraiya Iron and Steel Works Ltd. (VISL)
4. Rourkela Steel Plant

**Options :**

485584136333. 1  
485584136334. 2  
485584136335. 3  
485584136336. 4

**Question Number : 180 Question Id : 48558434085 Question Type : MCQ Option Shuffling : No Is Question Mandatory : No Calculator : None Response Time : N.A Think Time : N.A Minimum Instruction Time : 0**

**Correct Marks : 5 Wrong Marks : 1**

**Question Key Details :**

| Key           | Value |
|---------------|-------|
| Comprehension | MCQ   |



India was famous worldwide for the production of a very fine variety of cotton cloth ?Which of the following was that ?

1. Chanderi
2. Khadi
3. Muslin
4. Lahori

**Options :**

485584136337. 1  
485584136338. 2  
485584136339. 3  
485584136340. 4

**Question Number : 181 Question Id : 48558434086 Question Type : MCQ Option Shuffling : No Is Question Mandatory : No Calculator : None Response Time : N.A Think Time : N.A Minimum Instruction Time : 0**

**Correct Marks : 5 Wrong Marks : 1**

**Question Key Details :**

| Key           | Value |
|---------------|-------|
| Comprehension | MCQ   |

The length of first railway run between Bombay and Thane was \_\_\_\_\_.

1. 32 km
2. 34 km
3. 36 km
4. 38 km

**Options :**

485584136341. 1  
485584136342. 2  
485584136343. 3  
485584136344. 4

**Question Number : 182 Question Id : 48558434087 Question Type : MCQ Option Shuffling : No Is Question Mandatory : No Calculator : None Response Time : N.A Think Time : N.A Minimum Instruction Time : 0**

**Correct Marks : 5 Wrong Marks : 1**

**Question Key Details :**

| Key           | Value |
|---------------|-------|
| Comprehension | MCQ   |

Which one of the following is the cause of intestinal worms ?

1. Water Pollution
2. Air Pollution
3. Noise Pollution
4. Land Pollution

**Options :**

- 485584136345. 1
- 485584136346. 2
- 485584136347. 3
- 485584136348. 4

**Question Number : 183 Question Id : 48558434088 Question Type : MCQ Option Shuffling : No Is Question Mandatory : No Calculator : None Response Time : N.A Think Time : N.A Minimum Instruction Time : 0**

**Correct Marks : 5 Wrong Marks : 1**

**Question Key Details :**

| Key           | Value |
|---------------|-------|
| Comprehension | MCQ   |

By 2050, an estimated \_\_\_\_\_ of the world's population will live in Urban areas.

1. one-third
2. two-third
3. half
4. three-fourth

**Options :**

- 485584136349. 1
- 485584136350. 2
- 485584136351. 3
- 485584136352. 4

**Question Number : 184 Question Id : 48558434089 Question Type : MCQ Option Shuffling : No Is Question Mandatory : No Calculator : None Response Time : N.A Think Time : N.A Minimum Instruction Time : 0**

**Correct Marks : 5 Wrong Marks : 1**

**Question Key Details :**

| Key           | Value |
|---------------|-------|
| Comprehension | MCQ   |

Arrange the following oil refineries of India from north to south direction.

- A. Mangaluru
- B. Haldia
- C. Kochchi
- D. Tatipaka

Choose the correct answer from the options given below :

1. (D), (A), (B), (C)
2. (D), (B), (A), (C)
3. (B), (D), (A), (C)
4. (B), (D), (C), (A)

**Options :**

- 485584136353. 1
- 485584136354. 2
- 485584136355. 3
- 485584136356. 4

**Question Number : 185 Question Id : 48558434090 Question Type : MCQ Option Shuffling : No Is Question Mandatory : No Calculator : None Response Time : N.A Think Time : N.A Minimum Instruction Time : 0**

**Correct Marks : 5 Wrong Marks : 1**

**Question Key Details :**

| Key           | Value |
|---------------|-------|
| Comprehension | MCQ   |

Arrange the following software technology parks of India from West to East direction.

- A. Delhi
- B. Kanpur
- C. Kolkata
- D. Gandhinagar

Choose the correct answer from the options given below :

1. (D), (A), (C), (B)
2. (D), (C), (B), (A)
3. (D), (A), (B), (C)
4. (A), (D), (B), (C)

**Options :**

- 485584136357. 1
- 485584136358. 2
- 485584136359. 3
- 485584136360. 4

**Question Number : 186 Question Id : 48558434091 Question Type : MCQ Option Shuffling : No Is Question Mandatory : No Calculator : None Response Time : N.A Think Time : N.A Minimum Instruction Time : 0**

**Correct Marks : 5 Wrong Marks : 1**

**Question Key Details :**

| Key           | Value |
|---------------|-------|
| Comprehension | MCQ   |

Read the following statements about rice crop in India carefully.

- A. It is considered to be a crop of tropical humid areas.
- B. Rice cultivation in the irrigated areas of Punjab and Haryana was introduced in 1950s.
- C. In West Bengal farmers grow three crops of rice.
- D. India was the second largest producer of rice in 2018.

Choose the correct answer from the options given below :

- 1. (A), (B) and (C) only
- 2. (A), (C) and (D) only
- 3. (B), (C) and (D) only
- 4. (A), (B) and (D) only

**Options :**

- 485584136361. 1
- 485584136362. 2
- 485584136363. 3
- 485584136364. 4

**Question Number : 187 Question Id : 48558434092 Question Type : MCQ Option Shuffling : No Is Question Mandatory : No Calculator : None Response Time : N.A Think Time : N.A Minimum Instruction Time : 0**

**Correct Marks : 5 Wrong Marks : 1**

**Question Key Details :**

| Key           | Value |
|---------------|-------|
| Comprehension | MCQ   |

Read the following statements about tea Crop in India carefully.

- A. Tea is a plantation crop
- B. Tea leaves have rich content of caffeine and tannin
- C. Tea is an indigenous crop of India
- D. It is grown our undulating topography of hilly area

Choose the correct answer from the options given below :

- 1. (A), (B) and (C) only
- 2. (A), (B) and (D) only
- 3. (A), (C) and (D) only
- 4. (B), (C) and (D) only

**Options :**

485584136365. 1  
485584136366. 2  
485584136367. 3  
485584136368. 4

**Question Number : 188 Question Id : 48558434093 Question Type : MCQ Option Shuffling : No Is Question Mandatory : No Calculator : None Response Time : N.A Think Time : N.A Minimum Instruction Time : 0**

**Correct Marks : 5 Wrong Marks : 1**

**Question Key Details :**

| Key           | Value |
|---------------|-------|
| Comprehension | MCQ   |

Read the following statements about Coal deposit in India carefully.

- A. About 80 per cent of the coal deposit in India is lignite type.
- B. The most important Gondwans Coal fields of India are located in Damodar Valley.
- C. Tharia is the largest coal field of India.
- D. Korba coal mining centre is located in West Bengal

Choose the correct answer from the options given below :

- 1. (A), (B) and (C) only
- 2. (A), (C) and (D) only
- 3. (A), (B) and (D) only
- 4. (B), (C) and (D) only

**Options :**

485584136369. 1  
485584136370. 2  
485584136371. 3  
485584136372. 4

**Question Number : 189 Question Id : 48558434094 Question Type : MCQ Option Shuffling : No Is Question Mandatory : No Calculator : None Response Time : N.A Think Time : N.A Minimum Instruction Time : 0**

**Correct Marks : 5 Wrong Marks : 1**

**Question Key Details :**

| Key           | Value |
|---------------|-------|
| Comprehension | MCQ   |

Match List I with List II

| LIST I<br>(State) |               | LIST II<br>(Total Literacy Rate<br>2011) |       |
|-------------------|---------------|--|-------|
| A.                | Bihar         | I.                                       | 69.72 |
| B.                | Kerala        | II.                                      | 87.40 |
| C.                | Goa           | III.                                     | 93.91 |
| D.                | Uttar Pradesh | IV.                                      | 63.82 |

Choose the correct answer from the options given below:

1. (A)-(I), (B)-(II), (C)-(III), (D)-(IV)
2. (A)-(II), (B)-(IV), (C)-(I), (D)-(III)
3. (A)-(IV), (B)-(III), (C)-(II), (D)-(I)
4. (A)-(I), (B)-(III), (C)-(II), (D)-(IV)

**Options :**

485584136373. 1  
485584136374. 2  
485584136375. 3  
485584136376. 4

**Question Number : 190 Question Id : 48558434095 Question Type : MCQ Option Shuffling : No Is Question Mandatory : No Calculator : None Response Time : N.A Think Time : N.A Minimum Instruction Time : 0**

**Correct Marks : 5 Wrong Marks : 1**

**Question Key Details :**

| Key           | Value |
|---------------|-------|
| Comprehension | MCQ   |

Match List I with List II

| LIST I<br>(Types to town) |                         | LIST II<br>(Examples) |             |
|---------------------------|-------------------------|-----------------------|-------------|
| A.                        | Ancient Town            | I.                    | Nagpur      |
| B.                        | Medieval Town           | II.                   | Gandhinagar |
| C.                        | Modern Town             | III.                  | Madurai     |
| D.                        | After Independence Town | IV.                   | Surat       |

Choose the correct answer from the options given below:

1. (A)-(III), (B)-(I), (C)-(II), (D)-(IV)
2. (A)-(I), (B)-(II), (C)-(IV), (D)-(III)
3. (A)-(III), (B)-(I), (C)-(IV), (D)-(II)
4. (A)-(I), (B)-(IV), (C)-(III), (D)-(II)

**Options :**

485584136377. 1  
 485584136378. 2  
 485584136379. 3  
 485584136380. 4

**Sub-Section Number :** 2  
**Sub-Section Id :** 4855842537  
**Question Shuffling Allowed :** No  
**Is Section Default? :** null

**Question Number : 191 Question Id : 48558434096 Question Type : MCQ Option Shuffling : No Is Question Mandatory : No Calculator : None Response Time : N.A Think Time : N.A Minimum Instruction Time : 0 Correct Marks : 5 Wrong Marks : 1**

**Question Key Details :**

| Key           | Value |
|---------------|-------|
| Comprehension | Comp1 |

Read the given passage carefully and answer following question .

The Ruhr Coal field of Germany has been one of the major industrial regions of Europe for a long time. Coal and iron and steel formed the basis of the economy, but as the demand for coal declined, the industry started shrinking. Even after the iron ore was exhausted, the industry remained, using imported ore brought by waterways to the Ruhr.

The Ruhr region is responsible for 80 per cent of Germany's total steel production. Changes in the industrial structure have led to the decay of some areas, and there are problems of industrial waste and pollution. The future prosperity of the Ruhr is based less on the products of coal and steel, for which it was initially famous, and more on the new industries like the huge Opel car assembly plant, new chemical plants, universities. Out-of-town shopping centres have appeared resulting in a 'New Ruhr' landscape.

The iron and steel industry forms the base of all other industries and, therefore, it is called a basic industry. It is basic because it provides raw material for other industries such as machine tools used for further production. It may also be called a heavy industry because it uses large quantities of bulky raw materials and its products are also heavy.

Iron is extracted from iron ore by smelting in a blast furnace with carbon (coke) and limestone. The molten iron is cooled and moulded to form pig iron which is used for converting into steel by adding strengthening materials manganese.

\_\_\_\_\_ and \_\_\_\_\_ formed the basis of the economy Ruhr region.

1. Coal, Petrochemical
2. Iron and Steel, coal
3. Iron and Steel, Cotton textile
4. Cotton textile and Petrochemical

**Options :**

485584136381. 1  
 485584136382. 2  
 485584136383. 3  
 485584136384. 4

**Question Number : 192 Question Id : 48558434097 Question Type : MCQ Option Shuffling : No Is Question Mandatory : No Calculator : None Response Time : N.A Think Time : N.A Minimum Instruction Time : 0**

Correct Marks : 5 Wrong Marks : 1

Question Key Details :

| Key           | Value |
|---------------|-------|
| Comprehension | Comp1 |

Read the given passage carefully and answer following question .

The Ruhr Coal field of Germany has been one of the major industrial regions of Europe for a long time. Coal and iron and steel formed the basis of the economy, but as the demand for coal declined, the industry started shrinking. Even after the iron ore was exhausted, the industry remained, using imported ore brought by waterways to the Ruhr.

The Ruhr region is responsible for 80 per cent of Germany's total steel production. Changes in the industrial structure have led to the decay of some areas, and there are problems of industrial waste and pollution. The future prosperity of the Ruhr is based less on the products of coal and steel, for which it was initially famous, and more on the new industries like the huge Opel car assembly plant, new chemical plants, universities. Out-of-town shopping centres have appeared resulting in a 'New Ruhr' landscape.

The iron and steel industry forms the base of all other industries and, therefore, it is called a basic industry. It is basic because it provides raw material for other industries such as machine tools used for further production. It may also be called a heavy industry because it uses large quantities of bulky raw materials and its products are also heavy.

Iron is extracted from iron ore by smelting in a blast furnace with carbon (coke) and limestone. The molten iron is cooled and moulded to form pig iron which is used for converting into steel by adding strengthening materials manganese.

Ruhr region contribute \_\_\_\_\_ of Germany's total steel production.

1. 73%
2. 77%
3. 80%
4. 83%

Options :

- 485584136385. 1
- 485584136386. 2
- 485584136387. 3
- 485584136388. 4

Question Number : 193 Question Id : 48558434098 Question Type : MCQ Option Shuffling : No Is Question Mandatory : No Calculator : None Response Time : N.A Think Time : N.A Minimum Instruction Time : 0

Correct Marks : 5 Wrong Marks : 1

Question Key Details :

| Key           | Value |
|---------------|-------|
| Comprehension | Comp1 |



Read the given passage carefully and answer following question .

The Ruhr Coal field of Germany has been one of the major industrial regions of Europe for a long time. Coal and iron and steel formed the basis of the economy, but as the demand for coal declined, the industry started shrinking. Even after the iron ore was exhausted, the industry remained, using imported ore brought by waterways to the Ruhr.

The Ruhr region is responsible for 80 per cent of Germany's total steel production. Changes in the industrial structure have led to the decay of some areas, and there are problems of industrial waste and pollution. The future prosperity of the Ruhr is based less on the products of coal and steel, for which it was initially famous, and more on the new industries like the huge Opel car assembly plant, new chemical plants, universities. Out-of-town shopping centres have appeared resulting in a 'New Ruhr' landscape.

The iron and steel industry forms the base of all other industries and, therefore, it is called a basic industry. It is basic because it provides raw material for other industries such as machine tools used for further production. It may also be called a heavy industry because it uses large quantities of bulky raw materials and its products are also heavy.

Iron is extracted from iron ore by smelting in a blast furnace with carbon (coke) and limestone. The molten iron is cooled and moulded to form pig iron which is used for converting into steel by adding strengthening materials manganese.

The assembly of \_\_\_\_\_ car is done in the Ruhr region of Germany.

1. Opel
2. Napel
3. Napthel
4. Onthel

**Options :**

485584136389. 1  
485584136390. 2  
485584136391. 3  
485584136392. 4

**Question Number : 194 Question Id : 48558434099 Question Type : MCQ Option Shuffling : No Is Question Mandatory : No Calculator : None Response Time : N.A Think Time : N.A Minimum Instruction Time : 0**

**Correct Marks : 5 Wrong Marks : 1**

**Question Key Details :**

| Key           | Value |
|---------------|-------|
| Comprehension | Compl |

Read the given passage carefully and answer following question .

The Ruhr Coal field of Germany has been one of the major industrial regions of Europe for a long time. Coal and iron and steel formed the basis of the economy, but as the demand for coal declined, the industry started shrinking. Even after the iron ore was exhausted, the industry remained, using imported ore brought by waterways to the Ruhr.

The Ruhr region is responsible for 80 per cent of Germany's total steel production. Changes in the industrial structure have led to the decay of some areas, and there are problems of industrial waste and pollution. The future prosperity of the Ruhr is based less on the products of coal and steel, for which it was initially famous, and more on the new industries like the huge Opel car assembly plant, new chemical plants, universities. Out-of-town shopping centres have appeared resulting in a 'New Ruhr' landscape.

The iron and steel industry forms the base of all other industries and, therefore, it is called a basic industry. It is basic because it provides raw material for other industries such as machine tools used for further production. It may also be called a heavy industry because it uses large quantities of bulky raw materials and its products are also heavy.

Iron is extracted from iron ore by smelting in a blast furnace with carbon (coke) and limestone. The molten iron is cooled and moulded to form pig iron which is used for converting into steel by adding strengthening materials manganese.

Iron and Steel industry is called \_\_\_\_\_ industry.

1. Basic
2. Secondary
3. Tertiary
4. Quaternary

**Options :**

485584136393. 1  
485584136394. 2  
485584136395. 3  
485584136396. 4

**Question Number : 195 Question Id : 48558434100 Question Type : MCQ Option Shuffling : No Is Question Mandatory : No Calculator : None Response Time : N.A Think Time : N.A Minimum Instruction Time : 0**

**Correct Marks : 5 Wrong Marks : 1**

**Question Key Details :**

| Key           | Value |
|---------------|-------|
| Comprehension | Comp1 |

Read the given passage carefully and answer following question .

The Ruhr Coal field of Germany has been one of the major industrial regions of Europe for a long time. Coal and iron and steel formed the basis of the economy, but as the demand for coal declined, the industry started shrinking. Even after the iron ore was exhausted, the industry remained, using imported ore brought by waterways to the Ruhr.

The Ruhr region is responsible for 80 per cent of Germany's total steel production. Changes in the industrial structure have led to the decay of some areas, and there are problems of industrial waste and pollution. The future prosperity of the Ruhr is based less on the products of coal and steel, for which it was initially famous, and more on the new industries like the huge Opel car assembly plant, new chemical plants, universities. Out-of-town shopping centres have appeared resulting in a 'New Ruhr' landscape.

The iron and steel industry forms the base of all other industries and, therefore, it is called a basic industry. It is basic because it provides raw material for other industries such as machine tools used for further production. It may also be called a heavy industry because it uses large quantities of bulky raw materials and its products are also heavy.

Iron is extracted from iron ore by smelting in a blast furnace with carbon (coke) and limestone. The molten iron is cooled and moulded to form pig iron which is used for converting into steel by adding strengthening materials manganese.

\_\_\_\_\_ is added to strengthen the material for making steel.

1. Mica
2. Limestone
3. Coke
4. Manganese

**Options :**

- 485584136397. 1
- 485584136398. 2
- 485584136399. 3
- 485584136400. 4

**Sub-Section Number :** 3  
**Sub-Section Id :** 4855842538  
**Question Shuffling Allowed :** No  
**Is Section Default? :** null

**Question Number : 196 Question Id : 48558434101 Question Type : MCQ Option Shuffling : No Is Question Mandatory : No Calculator : None Response Time : N.A Think Time : N.A Minimum Instruction Time : 0**

**Correct Marks : 5 Wrong Marks : 1**

**Question Key Details :**

| Key           | Value |
|---------------|-------|
| Comprehension | Comp2 |

Study the given table carefully and answer the following question:

Composition of India's Export, 2009-2017

(Percentage share in Exports)

| Commodities                     | 2009-10 | 2010-11 | 2015-16 | 2016-17 |
|---------------------------------|---------|---------|---------|---------|
| Agriculture and allied products | 10.0    | 9.9     | 12.6    | 12.3    |
| Ore and Minerals                | 4.9     | 4.0     | 1.6     | 1.9     |
| Manufactured goods              | 67.4    | 68.0    | 72.9    | 73.6    |
| Crude and petroleum products    | 16.2    | 16.8    | 11.9    | 11.7    |
| Other Commodities               | 1.5     | 1.2     | 1.1     | 0.5     |

How many of the following export commodities are showing an increasing trend between 2015 - 16 to 2016 - 17 ?

1. 1
2. 2
3. 3
4. 4

**Options :**

485584136401. 1  
485584136402. 2  
485584136403. 3  
485584136404. 4

**Question Number : 197 Question Id : 48558434102 Question Type : MCQ Option Shuffling : No Is Question Mandatory : No Calculator : None Response Time : N.A Think Time : N.A Minimum Instruction Time : 0**

**Correct Marks : 5 Wrong Marks : 1**

**Question Key Details :**

| Key           | Value |
|---------------|-------|
| Comprehension | Comp2 |

Study the given table carefully and answer the following question:

Composition of India's Export, 2009-2017

(Percentage share in Exports)

| Commodities                     | 2009-10 | 2010-11 | 2015-16 | 2016-17 |
|---------------------------------|---------|---------|---------|---------|
| Agriculture and allied products | 10.0    | 9.9     | 12.6    | 12.3    |
| Ore and Minerals                | 4.9     | 4.0     | 1.6     | 1.9     |
| Manufactured goods              | 67.4    | 68.0    | 72.9    | 73.6    |
| Crude and petroleum products    | 16.2    | 16.8    | 11.9    | 11.7    |
| Other Commodities               | 1.5     | 1.2     | 1.1     | 0.5     |

In 2015 - 16, if agriculture and allied products and manufactured goods percentages are added, it would be \_\_\_\_\_.

1. 84.5%
2. 85.0%
3. 85.5%
4. 86.0%

**Options :**

485584136405. 1  
485584136406. 2  
485584136407. 3  
485584136408. 4

**Question Number : 198 Question Id : 48558434103 Question Type : MCQ Option Shuffling : No Is Question Mandatory : No Calculator : None Response Time : N.A Think Time : N.A Minimum Instruction Time : 0**

**Correct Marks : 5 Wrong Marks : 1**

**Question Key Details :**

| Key           | Value |
|---------------|-------|
| Comprehension | Comp2 |

Study the given table carefully and answer the following question:

Composition of India's Export, 2009-2017

(Percentage share in Exports)

| Commodities                     | 2009-10 | 2010-11 | 2015-16 | 2016-17 |
|---------------------------------|---------|---------|---------|---------|
| Agriculture and allied products | 10.0    | 9.9     | 12.6    | 12.3    |
| Ore and Minerals                | 4.9     | 4.0     | 1.6     | 1.9     |
| Manufactured goods              | 67.4    | 68.0    | 72.9    | 73.6    |
| Crude and petroleum products    | 16.2    | 16.8    | 11.9    | 11.7    |
| Other Commodities               | 1.5     | 1.2     | 1.1     | 0.5     |

Which of the following export commodities registered increasing trends from 2009 - 10 to 2010 - 11 ?

1. Ore and minerals and manufactured
2. Agriculture and allied product and crude and petroleum products
3. Manufactured goods and other commodities
4. Manufactured goods and crud and petroleum products

**Options :**

485584136409. 1  
485584136410. 2  
485584136411. 3

**Question Number : 199 Question Id : 48558434104 Question Type : MCQ Option Shuffling : No Is Question Mandatory : No Calculator : None Response Time : N.A Think Time : N.A Minimum Instruction Time : 0**

**Correct Marks : 5 Wrong Marks : 1**

**Question Key Details :**

| Key           | Value |
|---------------|-------|
| Comprehension | Comp2 |

Study the given table carefully and answer the following question:

Composition of India's Export, 2009-2017

(Percentage share in Exports)

| Commodities                     | 2009-10 | 2010-11 | 2015-16 | 2016-17 |
|---------------------------------|---------|---------|---------|---------|
| Agriculture and allied products | 10.0    | 9.9     | 12.6    | 12.3    |
| Ore and Minerals                | 4.9     | 4.0     | 1.6     | 1.9     |
| Manufactured goods              | 67.4    | 68.0    | 72.9    | 73.6    |
| Crude and petroleum products    | 16.2    | 16.8    | 11.9    | 11.7    |
| Other Commodities               | 1.5     | 1.2     | 1.1     | 0.5     |

Percentage increase in manufactured goods from 2010 - 11 to 2015 - 16 is reported by which one of the following ?

1. 1.9%
2. 2.9%
3. 3.9%
4. 4.9%

**Options :**

485584136413. 1  
485584136414. 2  
485584136415. 3  
485584136416. 4

**Question Number : 200 Question Id : 48558434105 Question Type : MCQ Option Shuffling : No Is Question Mandatory : No Calculator : None Response Time : N.A Think Time : N.A Minimum Instruction Time : 0**

**Correct Marks : 5 Wrong Marks : 1**

**Question Key Details :**

| Key           | Value |
|---------------|-------|
| Comprehension | Comp2 |

Study the given table carefully and answer the following question:

Composition of India's Export, 2009-2017

(Percentage share in Exports)

| Commodities                     | 2009-10 | 2010-11 | 2015-16 | 2016-17 |
|---------------------------------|---------|---------|---------|---------|
| Agriculture and allied products | 10.0    | 9.9     | 12.6    | 12.3    |
| Ore and Minerals                | 4.9     | 4.0     | 1.6     | 1.9     |
| Manufactured goods              | 67.4    | 68.0    | 72.9    | 73.6    |
| Crude and petroleum products    | 16.2    | 16.8    | 11.9    | 11.7    |
| Other Commodities               | 1.5     | 1.2     | 1.1     | 0.5     |

The highest difference in percentage between, 2010 - 11 to 2015 - 16 is associated with which of the following categories ?

1. Agriculture and allied products
2. Ore and Minerals
3. Manufactured goods
4. Other Commodities

**Options :**

485584136417. 1  
485584136418. 2  
485584136419. 3  
485584136420. 4

## History

|                               |           |
|-------------------------------|-----------|
| Group Number :                | 10        |
| Group Id :                    | 485584777 |
| Group Maximum Duration :      | 45        |
| Group Minimum Duration :      | 45        |
| Show Attended Group? :        | No        |
| Edit Attended Group? :        | No        |
| Break time :                  | 0         |
| Group Marks :                 | 200       |
| Is this Group for Examiner? : | No        |
| Examiner permission :         | Cant View |
| Show Progress Bar? :          | No        |

## History

|                         |           |
|-------------------------|-----------|
| Section Id :            | 485584895 |
| Section Number :        | 1         |
| Section type :          | Online    |
| Mandatory or Optional : | Mandatory |

Number of Questions : 50  
Number of Questions to be attempted : 40  
Section Marks : 200  
Enable Mark as Answered Mark for Review and Clear Response : Yes  
Maximum Instruction Time : 0  
Sub-Section Number : 1  
Sub-Section Id : 4855842539  
Question Shuffling Allowed : Yes  
Is Section Default? : null

Question Number : 201 Question Id : 48558434156 Question Type : MCQ Option Shuffling : No Is Question Mandatory : No Calculator : None Response Time : N.A Think Time : N.A Minimum Instruction Time : 0

Correct Marks : 5 Wrong Marks : 1

Question Key Details :

| Key           | Value |
|---------------|-------|
| Comprehension | MCQ   |

Which of the following is **NOT True** of the 'Objectives Resolution'?

1. It proclaimed India to be an 'Independent Sovereign Republic'.
2. It guaranteed its citizens justice, equality and freedom.
3. Nehru located history of Constitution-making in India within a longer history of struggle for liberty and freedom.
4. The ideas and provisions of the Constitution introduced in India could be derived colonial past.

Options :

485584136621. 1  
485584136622. 2  
485584136623. 3  
485584136624. 4

Question Number : 202 Question Id : 48558434157 Question Type : MCQ Option Shuffling : No Is Question Mandatory : No Calculator : None Response Time : N.A Think Time : N.A Minimum Instruction Time : 0

Correct Marks : 5 Wrong Marks : 1

Question Key Details :

| Key           | Value |
|---------------|-------|
| Comprehension | MCQ   |

The 'Constituent Assembly' was composed of how many members?

1. 250
2. 120
3. 300
4. 522

Options :

485584136625. 1  
485584136626. 2



485584136627. 3

485584136628. 4

**Question Number : 203 Question Id : 48558434158 Question Type : MCQ Option Shuffling : No Is Question Mandatory : No Calculator : None Response Time : N.A Think Time : N.A Minimum Instruction Time : 0**

**Correct Marks : 5 Wrong Marks : 1**

**Question Key Details :**

| Key           | Value |
|---------------|-------|
| Comprehension | MCQ   |

The 'Great Calcutta Killings' took place in which year?

1. 1946

2. 1945

3. 1947

4. 1943

**Options :**

485584136629. 1

485584136630. 2

485584136631. 3

485584136632. 4

**Question Number : 204 Question Id : 48558434159 Question Type : MCQ Option Shuffling : No Is Question Mandatory : No Calculator : None Response Time : N.A Think Time : N.A Minimum Instruction Time : 0**

**Correct Marks : 5 Wrong Marks : 1**

**Question Key Details :**

| Key           | Value |
|---------------|-------|
| Comprehension | MCQ   |

Which Governor General adopted policies that abolished 'Sati'?

1. Henry Hardings

2. William Bentinck

3. Canning

4. Dalhousie

**Options :**

485584136633. 1

485584136634. 2

485584136635. 3

485584136636. 4

**Question Number : 205 Question Id : 48558434160 Question Type : MCQ Option Shuffling : No Is Question Mandatory : No Calculator : None Response Time : N.A Think Time : N.A Minimum Instruction Time : 0**

**Correct Marks : 5 Wrong Marks : 1**

**Question Key Details :**

| Key | Value |
|-----|-------|
|-----|-------|

|               |     |
|---------------|-----|
| Comprehension | MCQ |
|---------------|-----|

Who wrote one of the earliest histories of the Uprising of 1857?

1. Francis Grant
2. Captain Hearsey
3. Charles Ball
4. Colin Campbell

**Options :**

485584136637. 1  
485584136638. 2  
485584136639. 3  
485584136640. 4

**Question Number : 206 Question Id : 48558434161 Question Type : MCQ Option Shuffling : No Is Question Mandatory : No Calculator : None Response Time : N.A Think Time : N.A Minimum Instruction Time : 0**

**Correct Marks : 5 Wrong Marks : 1**

**Question Key Details :**

| Key           | Value |
|---------------|-------|
| Comprehension | MCQ   |

Which region was known as the 'nursery of the Bengal Army' as many sepoys were recruited from the region?

1. Jhansi
2. Satara
3. Awadh
4. Delhi

**Options :**

485584136641. 1  
485584136642. 2  
485584136643. 3  
485584136644. 4

**Question Number : 207 Question Id : 48558434162 Question Type : MCQ Option Shuffling : No Is Question Mandatory : No Calculator : None Response Time : N.A Think Time : N.A Minimum Instruction Time : 0**

**Correct Marks : 5 Wrong Marks : 1**

**Question Key Details :**

| Key           | Value |
|---------------|-------|
| Comprehension | MCQ   |

Where was the 'Summary Settlement' of 1856 imposed?

1. Jhansi
2. Bengal
3. Kanpur
4. Awadh

**Options :**

485584136645. 1  
485584136646. 2  
485584136647. 3  
485584136648. 4

**Question Number : 208 Question Id : 48558434163 Question Type : MCQ Option Shuffling : No Is Question Mandatory : No Calculator : None Response Time : N.A Think Time : N.A Minimum Instruction Time : 0**

**Correct Marks : 5 Wrong Marks : 1**

**Question Key Details :**

| Key           | Value |
|---------------|-------|
| Comprehension | MCQ   |

Who went around mobilising the headman and cultivators of Chaurasee des (eighty-four villages) in 1857?

1. Maului Ahmadullah Shah
2. Henry Lawrence
3. Hanwant Singh
4. Shah Mal

**Options :**

485584136649. 1  
485584136650. 2  
485584136651. 3  
485584136652. 4

**Question Number : 209 Question Id : 48558434164 Question Type : MCQ Option Shuffling : No Is Question Mandatory : No Calculator : None Response Time : N.A Think Time : N.A Minimum Instruction Time : 0**

**Correct Marks : 5 Wrong Marks : 1**

**Question Key Details :**

| Key           | Value |
|---------------|-------|
| Comprehension | MCQ   |

Colonial rule was first established in which part of India?

1. Bombay
2. Madras
3. Bengal
4. Punjab

**Options :**

485584136653. 1  
485584136654. 2  
485584136655. 3  
485584136656. 4

**Question Number : 210 Question Id : 48558434165 Question Type : MCQ Option Shuffling : No Is Question Mandatory : No Calculator : None Response Time : N.A Think Time : N.A Minimum Instruction Time : 0**

**Correct Marks : 5 Wrong Marks : 1**

**Question Key Details :**

| Key           | Value |
|---------------|-------|
| Comprehension | MCQ   |

Colonial officials were strongly influenced by the ideas of which British economic thinker in 19th-century?

1. Adam Smith
2. J. M. Keynes
3. David Ricardo
4. Thomas Paine

**Options :**

485584136657. 1  
485584136658. 2  
485584136659. 3  
485584136660. 4

**Question Number : 211 Question Id : 48558434166 Question Type : MCQ Option Shuffling : No Is Question Mandatory : No Calculator : None Response Time : N.A Think Time : N.A Minimum Instruction Time : 0**

**Correct Marks : 5 Wrong Marks : 1**

**Question Key Details :**

| Key           | Value |
|---------------|-------|
| Comprehension | MCQ   |

Where was Satyajit Ray's 'Jalsaghar' filmed?

1. Andul Raj Palace
2. City Palace
3. Rajmahal
4. Jangal Mahal

**Options :**

485584136661. 1  
485584136662. 2  
485584136663. 3  
485584136664. 4

**Question Number : 212 Question Id : 48558434167 Question Type : MCQ Option Shuffling : No Is Question Mandatory : No Calculator : None Response Time : N.A Think Time : N.A Minimum Instruction Time : 0**

**Correct Marks : 5 Wrong Marks : 1**

**Question Key Details :**

| Key           | Value |
|---------------|-------|
| Comprehension | MCQ   |

Who wrote 'Char Chaman': describing the Mughal nobility?

1. Chandrabahan Barahman
2. Antonio Monserrate
3. Abu'l Hasan
4. Muhammad Husayn

**Options :**

485584136665. 1  
485584136666. 2  
485584136667. 3  
485584136668. 4

**Question Number : 213 Question Id : 48558434168 Question Type : MCQ Option Shuffling : No Is Question Mandatory : No Calculator : None Response Time : N.A Think Time : N.A Minimum Instruction Time : 0**

**Correct Marks : 5 Wrong Marks : 1**

**Question Key Details :**

| Key           | Value |
|---------------|-------|
| Comprehension | MCQ   |

Which chronicle was gifted by Nawab of Awadh to King George III in 1799.

1. Akbarnama
2. Shahjahan Nama
3. Badshah Nama
4. Alamgir Nama

**Options :**

485584136669. 1  
485584136670. 2  
485584136671. 3  
485584136672. 4

**Question Number : 214 Question Id : 48558434169 Question Type : MCQ Option Shuffling : No Is Question Mandatory : No Calculator : None Response Time : N.A Think Time : N.A Minimum Instruction Time : 0**

**Correct Marks : 5 Wrong Marks : 1**

**Question Key Details :**

| Key           | Value |
|---------------|-------|
| Comprehension | MCQ   |

What was the meaning of 'Jangama' in 12th-century Karnataka?

1. Sayings
2. Wandering Monks
3. Incarnations
4. Four Thousand Sacred Compositions

**Options :**

485584136673. 1  
485584136674. 2  
485584136675. 3  
485584136676. 4

**Question Number : 215 Question Id : 48558434170 Question Type : MCQ Option Shuffling : No Is Question Mandatory : No Calculator : None Response Time : N.A Think Time : N.A Minimum Instruction Time : 0**

**Correct Marks : 5 Wrong Marks : 1**

**Question Key Details :**

| Key           | Value |
|---------------|-------|
| Comprehension | MCQ   |

'Kabir Granthavali' is associated with which of the following traditions?

1. Kabirpanth in Varanasi
2. Dadupanth in Rajasthan
3. Kabirpanth in Bengal
4. Kabirvani in Adi Granth Sahib

**Options :**

485584136677. 1  
485584136678. 2  
485584136679. 3  
485584136680. 4

**Question Number : 216 Question Id : 48558434171 Question Type : MCQ Option Shuffling : No Is Question Mandatory : No Calculator : None Response Time : N.A Think Time : N.A Minimum Instruction Time : 0**

**Correct Marks : 5 Wrong Marks : 1**

**Question Key Details :**

| Key           | Value |
|---------------|-------|
| Comprehension | MCQ   |

'Malfuzat' an important source for constructing history is \_\_\_\_\_.

1. A record of conversations of sufi saints.
2. A record of agrarian tax.
3. A record of kings announcement.
4. A collection of letters written by sufi saints.

**Options :**

485584136681. 1  
485584136682. 2  
485584136683. 3  
485584136684. 4

**Question Number : 217 Question Id : 48558434172 Question Type : MCQ Option Shuffling : No Is Question Mandatory : No Calculator : None Response Time : N.A Think Time : N.A Minimum Instruction Time : 0**

**Correct Marks : 5 Wrong Marks : 1**

**Question Key Details :**

| Key           | Value |
|---------------|-------|
| Comprehension | MCQ   |

Who described Mughal cities of the 17th-century as 'Camp Towns'?

1. Francois Bernier
2. Pelsaert
3. Abu'l Fazl
4. Karl Marx

**Options :**

485584136685. 1  
485584136686. 2  
485584136687. 3  
485584136688. 4

**Question Number : 218 Question Id : 48558434173 Question Type : MCQ Option Shuffling : No Is Question Mandatory : No Calculator : None Response Time : N.A Think Time : N.A Minimum Instruction Time : 0**

**Correct Marks : 5 Wrong Marks : 1**

**Question Key Details :**

| Key           | Value |
|---------------|-------|
| Comprehension | MCQ   |

Who among the following were known as 'materialists' in Sixth BCE India.

1. Ajivikas
2. Lokayatas
3. Buddhists
4. Jains

**Options :**

485584136689. 1  
485584136690. 2  
485584136691. 3  
485584136692. 4

**Question Number : 219 Question Id : 48558434174 Question Type : MCQ Option Shuffling : No Is Question Mandatory : No Calculator : None Response Time : N.A Think Time : N.A Minimum Instruction Time : 0**

**Correct Marks : 5 Wrong Marks : 1**

**Question Key Details :**

| Key           | Value |
|---------------|-------|
| Comprehension | MCQ   |



Which amongst the following is another name for the 'Buddha'?

1. Tirthankara
2. Theragatha
3. Theravadva
4. Tathagatha

**Options :**

485584136693. 1  
485584136694. 2  
485584136695. 3  
485584136696. 4

**Question Number : 220 Question Id : 48558434175 Question Type : MCQ Option Shuffling : No Is Question Mandatory : No Calculator : None Response Time : N.A Think Time : N.A Minimum Instruction Time : 0**

**Correct Marks : 5 Wrong Marks : 1**

**Question Key Details :**

| Key           | Value |
|---------------|-------|
| Comprehension | MCQ   |

Who was the first women to be ordained as a 'Bhikkhuni'?

1. Yasodhara
2. Purna
3. Radha
4. Mahapajapati Gotami

**Options :**

485584136697. 1  
485584136698. 2  
485584136699. 3  
485584136700. 4

**Question Number : 221 Question Id : 48558434176 Question Type : MCQ Option Shuffling : No Is Question Mandatory : No Calculator : None Response Time : N.A Think Time : N.A Minimum Instruction Time : 0**

**Correct Marks : 5 Wrong Marks : 1**

**Question Key Details :**

| Key           | Value |
|---------------|-------|
| Comprehension | MCQ   |

Which of the following suggests that many people who turned to buddhists enriched it with their own Pre-Buddhist beliefs, practices and ideas?

1. Wheel of Dharma
2. Jataka Scenes
3. Shalabhanjika
4. Mahaparinibbana

**Options :**

485584136701. 1  
485584136702. 2  
485584136703. 3  
485584136704. 4

**Question Number : 222 Question Id : 48558434177 Question Type : MCQ Option Shuffling : No Is Question Mandatory : No Calculator : None Response Time : N.A Think Time : N.A Minimum Instruction Time : 0**

**Correct Marks : 5 Wrong Marks : 1**

**Question Key Details :**

| Key           | Value |
|---------------|-------|
| Comprehension | MCQ   |

Who led a team of dozen scholars in collecting Sanskrit manuscripts and preparing a critical edition of the 'Mahabharata'?

1. V. S. Wakankar
2. B. B. Lal
3. V. S. Sukthankar
4. V. A. Smith

**Options :**

485584136705. 1  
485584136706. 2  
485584136707. 3  
485584136708. 4

**Question Number : 223 Question Id : 48558434178 Question Type : MCQ Option Shuffling : No Is Question Mandatory : No Calculator : None Response Time : N.A Think Time : N.A Minimum Instruction Time : 0**

**Correct Marks : 5 Wrong Marks : 1**

**Question Key Details :**

| Key           | Value |
|---------------|-------|
| Comprehension | MCQ   |

Asokan inscriptions in the North-West of the subcontinent were written in which of the following languages?

1. Prakrit
2. Pali
3. Aramaic
4. Arad-Magadhi

**Options :**

485584136709. 1  
485584136710. 2  
485584136711. 3  
485584136712. 4

**Question Number : 224 Question Id : 48558434179 Question Type : MCQ Option Shuffling : No Is Question Mandatory : No Calculator : None Response Time : N.A Think Time : N.A Minimum Instruction Time : 0**

**Correct Marks : 5 Wrong Marks : 1**

**Question Key Details :**

| Key           | Value |
|---------------|-------|
| Comprehension | MCQ   |

Which of the following time period is related to the emergence of early states in Indian history?

1. First Century BCE
2. Sixth Century BCE
3. Eighth Century BCE
4. Tenth Century BCE

**Options :**

485584136713. 1  
485584136714. 2  
485584136715. 3  
485584136716. 4

**Question Number : 225 Question Id : 48558434180 Question Type : MCQ Option Shuffling : No Is Question Mandatory : No Calculator : None Response Time : N.A Think Time : N.A Minimum Instruction Time : 0**

**Correct Marks : 5 Wrong Marks : 1**

**Question Key Details :**

| Key           | Value |
|---------------|-------|
| Comprehension | MCQ   |

The 'Prayag Prashasti' was composed by the court poet of which of the following kings?

1. Chandragupta
2. Chandragupta Vikramaditya
3. Samudragupta
4. Skandagupta

**Options :**

485584136717. 1  
485584136718. 2  
485584136719. 3  
485584136720. 4

**Question Number : 226 Question Id : 48558434181 Question Type : MCQ Option Shuffling : No Is Question Mandatory : No Calculator : None Response Time : N.A Think Time : N.A Minimum Instruction Time : 0**

**Correct Marks : 5 Wrong Marks : 1**

**Question Key Details :**

| Key           | Value |
|---------------|-------|
| Comprehension | MCQ   |

Nageshwar and Balakot settlement near the coast in the Harappan Civilisation served as \_\_\_\_\_.

1. Sources of Carnelian
2. Sources of Lapis Lazuli
3. Centre of shell production
4. Sources of gold

**Options :**

485584136721. 1  
485584136722. 2  
485584136723. 3  
485584136724. 4

**Question Number : 227 Question Id : 48558434182 Question Type : MCQ Option Shuffling : No Is Question Mandatory : No Calculator : None Response Time : N.A Think Time : N.A Minimum Instruction Time : 0**

**Correct Marks : 5 Wrong Marks : 1**

**Question Key Details :**

| Key           | Value |
|---------------|-------|
| Comprehension | MCQ   |

Evidence of a ploughed field comes from which of the following Harrapan site?

1. Cholistan
2. Amri-Nal
3. Kalibangan
4. Harappa

**Options :**

485584136725. 1  
485584136726. 2  
485584136727. 3  
485584136728. 4

**Question Number : 228 Question Id : 48558434183 Question Type : MCQ Option Shuffling : No Is Question Mandatory : No Calculator : None Response Time : N.A Think Time : N.A Minimum Instruction Time : 0**

**Correct Marks : 5 Wrong Marks : 1**

**Question Key Details :**

| Key           | Value |
|---------------|-------|
| Comprehension | MCQ   |

Match List I with List II:

| LIST I |                      | LIST II |                                  |
|--------|----------------------|---------|----------------------------------|
| A.     | Dakshyani Velayudhan | I.      | Hindustani as language of nation |
| B.     | Hansa Mehta          | II.     | Removal of social disabilities   |
| C.     | R. V. Dhulekar       | III.    | Justice for women                |
| D.     | Shankarrao Deo       | IV.     | Hindi as national language       |

Choose the **correct** answer from the options given below:

1. A-II, B-IV, C-I, D-III
2. A-II, B-III, C-IV, D-I
3. A-I, B-II, C-III, D-IV
4. A-I, B-III, C-IV, D-II

**Options :**

485584136729. 1  
485584136730. 2  
485584136731. 3  
485584136732. 4

**Question Number : 229 Question Id : 48558434184 Question Type : MCQ Option Shuffling : No Is Question Mandatory : No Calculator : None Response Time : N.A Think Time : N.A Minimum Instruction Time : 0**

**Correct Marks : 5 Wrong Marks : 1**

**Question Key Details :**

| Key | Value |
|-----|-------|
|-----|-------|

Match List I with List II:

| LIST I |            | LIST II |              |
|--------|------------|---------|--------------|
| A.     | Nageshwar  | I.      | Steatite     |
| B.     | Lothal     | II.     | Lapis Lazuli |
| C.     | Gujarat    | III.    | Carnelian    |
| D.     | Shortughai | IV.     | Shell        |

Choose the **correct** answer from the options given below:

1. A-IV, B-III, C-I, D-II
2. A-I, B-III, C-IV, D-II
3. A-II, B-I, C-IV, D-III
4. A-IV, B-III, C-I, D-II

**Options :**

485584136733. 1  
 485584136734. 2  
 485584136735. 3  
 485584136736. 4

**Question Number : 230 Question Id : 48558434185 Question Type : MCQ Option Shuffling : No Is Question Mandatory : No Calculator : None Response Time : N.A Think Time : N.A Minimum Instruction Time : 0**

**Correct Marks : 5 Wrong Marks : 1**

**Question Key Details :**

| Key           | Value |
|---------------|-------|
| Comprehension | MCQ   |

Match List I with List II:

| LIST I |                 | LIST II |                         |
|--------|-----------------|---------|-------------------------|
| A.     | Jesuit          | I.      | Jean-Baptiste Tavernier |
| B.     | French Jeweller | II.     | Danishmand Khan         |
| C.     | Italian Doctor  | III.    | Roberto Nobili          |
| D.     | Armenian Noble  | IV.     | Manucci                 |

Choose the **correct** answer from the options given below:

1. A-IV, B-II, C-I, D-III
2. A-III, B-I, C-II, D-IV
3. A-IV, B-I, C-II, D-III
4. A-III, B-I, C-IV, D-II

**Options :**

- 485584136737. 1
- 485584136738. 2
- 485584136739. 3
- 485584136740. 4

**Question Number : 231 Question Id : 48558434186 Question Type : MCQ Option Shuffling : No Is Question Mandatory : No Calculator : None Response Time : N.A Think Time : N.A Minimum Instruction Time : 0**

**Correct Marks : 5 Wrong Marks : 1**

**Question Key Details :**

| Key           | Value |
|---------------|-------|
| Comprehension | MCQ   |

Match List I with List II:

| LIST I |          | LIST II |                         |
|--------|----------|---------|-------------------------|
| A.     | Bargadar | I.      | Powerful Zamindar       |
| B.     | Raja     | II.     | Sharecropper            |
| C.     | Diku     | III.    | Strongman of a Zamindar |
| D.     | Lathyal  | IV.     | Moneylender             |

Choose the **correct** answer from the options given below:

1. A-I, B-IV, C-II, D-III
2. A-IV, B-II, C-III, D-I
3. A-II, B-I, C-IV, D-III
4. A-IV, B-I, C-II, D-III

**Options :**

- 485584136741. 1
- 485584136742. 2
- 485584136743. 3
- 485584136744. 4

**Question Number : 232 Question Id : 48558434187 Question Type : MCQ Option Shuffling : No Is Question Mandatory : No Calculator : None Response Time : N.A Think Time : N.A Minimum Instruction Time : 0**

**Correct Marks : 5 Wrong Marks : 1**

**Question Key Details :**

| Key           | Value |
|---------------|-------|
| Comprehension | MCQ   |

Which of the following statements are **True** for the Harappan script?

- A. It contains around 400 signs.
- B. It was written from right to left.
- C. It has been deciphered.
- D. It is alphabetical.

Choose the **correct** answer from the options given below:

- 1. A, D only
- 2. A, B only
- 3. B, C only
- 4. B, D only

**Options :**

- 485584136745. 1
- 485584136746. 2
- 485584136747. 3
- 485584136748. 4

**Question Number : 233 Question Id : 48558434188 Question Type : MCQ Option Shuffling : No Is Question Mandatory : No Calculator : None Response Time : N.A Think Time : N.A Minimum Instruction Time : 0**

**Correct Marks : 5 Wrong Marks : 1**

**Question Key Details :**

| Key           | Value |
|---------------|-------|
| Comprehension | MCQ   |

Which of the following terms are used for 'peasants' in Indo-Persian sources?

- A. Raiyat
- B. Muzarian
- C. Do-Fasla
- D. Jins-i-Kamil

Choose the **correct** answer from the options given below:

- 1. A, B only
- 2. B, C only
- 3. A, C only
- 4. C, D only

**Options :**

- 485584136749. 1
- 485584136750. 2
- 485584136751. 3
- 485584136752. 4



**Question Number : 234 Question Id : 48558434189 Question Type : MCQ Option Shuffling : No Is Question Mandatory : No Calculator : None Response Time : N.A Think Time : N.A Minimum Instruction Time : 0**

**Correct Marks : 5 Wrong Marks : 1**

**Question Key Details :**

| Key           | Value |
|---------------|-------|
| Comprehension | MCQ   |

Which of the following were part of the recommendations made by the Constituent Assembly?

- A. Seats in legislature and jobs in government offices be reserved for the lowest caste.
- B. Separate electorates for Depressed Classes.
- C. Hindu temples be thrown open to all castes.
- D. Permanently segregate them from the society.

Choose the **correct** answer from the options given below:

- 1. A, B only
- 2. B, C only
- 3. A, C only
- 4. C, D only

**Options :**

- 485584136753. 1
- 485584136754. 2
- 485584136755. 3
- 485584136756. 4

**Question Number : 235 Question Id : 48558434190 Question Type : MCQ Option Shuffling : No Is Question Mandatory : No Calculator : None Response Time : N.A Think Time : N.A Minimum Instruction Time : 0**

**Correct Marks : 5 Wrong Marks : 1**

**Question Key Details :**

| Key           | Value |
|---------------|-------|
| Comprehension | MCQ   |

Which of the following sites was of late Harappan occupation?

- A. Sutkagendor
- B. Swat
- C. Jhukar
- D. Shortughai

Choose the **correct** answer from the options given below:

- 1. A, D only
- 2. C, D only
- 3. B, C only
- 4. C, A only

**Options :**

485584136757. 1  
485584136758. 2  
485584136759. 3  
485584136760. 4

**Question Number : 236 Question Id : 48558434191 Question Type : MCQ Option Shuffling : No Is Question Mandatory : No Calculator : None Response Time : N.A Think Time : N.A Minimum Instruction Time : 0**

**Correct Marks : 5 Wrong Marks : 1**

**Question Key Details :**

| Key           | Value |
|---------------|-------|
| Comprehension | MCQ   |

Arrange the following in a chronological order according to the year of formation.

- A. All-India Muslim League
- B. Hindu Mahasabha
- C. 1937 Provincial Elections
- D. Lucknow Pact

Choose the **correct** answer from the options given below:

- 1. A, B, C, D
- 2. A, B, D, C
- 3. B, A, D, C
- 4. D, C, B, A

**Options :**

485584136761. 1  
485584136762. 2  
485584136763. 3  
485584136764. 4

**Question Number : 237 Question Id : 48558434192 Question Type : MCQ Option Shuffling : No Is Question Mandatory : No Calculator : None Response Time : N.A Think Time : N.A Minimum Instruction Time : 0**

**Correct Marks : 5 Wrong Marks : 1**

**Question Key Details :**

| Key           | Value |
|---------------|-------|
| Comprehension | MCQ   |

Arrange the following sequentially as per their period of establishment.

- A. Setting up of Supreme Court, Calcutta.
- B. Universities in Bombay, Madras, Calcutta.
- C. Formation of the Asiatic Society in Bengal.
- D. The British in Bombay.

Choose the **correct** answer from the options given below:

- 1. C, B, D, A
- 2. C, B, A, D
- 3. D, A, C, B
- 4. B, C, A, D

**Options :**

- 485584136765. 1
- 485584136766. 2
- 485584136767. 3
- 485584136768. 4

**Question Number : 238 Question Id : 48558434193 Question Type : MCQ Option Shuffling : No Is Question Mandatory : No Calculator : None Response Time : N.A Think Time : N.A Minimum Instruction Time : 0**

**Correct Marks : 5 Wrong Marks : 1**

**Question Key Details :**

| Key           | Value |
|---------------|-------|
| Comprehension | MCQ   |

Arrange the following in a hierarchal order in context of British India Company Rule.

- A. Ryots
- B. Jotedars
- C. The Permanent Settlement
- D. Zamindar

Choose the **correct** answer from the options given below:

- 1. C, B, A, D
- 2. D, B, C, A
- 3. C, D, B, A
- 4. A, C, B, A

**Options :**

- 485584136769. 1
- 485584136770. 2
- 485584136771. 3
- 485584136772. 4

**Question Number : 239 Question Id : 48558434194 Question Type : MCQ Option Shuffling : No Is Question Mandatory : No Calculator : None Response Time : N.A Think Time : N.A Minimum Instruction Time : 0**

**Correct Marks : 5 Wrong Marks : 1**

**Question Key Details :**

| Key           | Value |
|---------------|-------|
| Comprehension | MCQ   |

Arrange the following sequentially according to their period of completion.

- A. Alamgir Nama
- B. Badshah Nama
- C. Akbar Nama
- D. Humayun Nama

Choose the **correct** answer from the options given below:

- 1. C, D, B, A
- 2. D, C, A, B
- 3. C, D, A, B
- 4. A, D, C, B

**Options :**

- 485584136773. 1
- 485584136774. 2
- 485584136775. 3
- 485584136776. 4

**Question Number : 240 Question Id : 48558434195 Question Type : MCQ Option Shuffling : No Is Question Mandatory : No Calculator : None Response Time : N.A Think Time : N.A Minimum Instruction Time : 0**

**Correct Marks : 5 Wrong Marks : 1**

**Question Key Details :**

| Key           | Value |
|---------------|-------|
| Comprehension | MCQ   |

Arrange the following sequentially in relation to the preservation of Early monuments:

- A. Foundation of Indian Museum, Calcutta.
- B. James Fergusson's Survey
- C. H.H. Cole Appointed as Curator of Ancient Monument.
- D. Passing of Treasure Trove Act.

Choose the correct answer from the options given below:

- 1. A, C, B, D
- 2. A, B, C, D
- 3. B, C, A, D
- 4. D, A, B, C

**Options :**

485584136777. 1  
485584136778. 2  
485584136779. 3  
485584136780. 4

**Sub-Section Number :** 2  
**Sub-Section Id :** 4855842540  
**Question Shuffling Allowed :** No  
**Is Section Default? :** null

**Question Number : 241 Question Id : 48558434196 Question Type : MCQ Option Shuffling : No Is Question Mandatory : No Calculator : None Response Time : N.A Think Time : N.A Minimum Instruction Time : 0**

**Correct Marks : 5 Wrong Marks : 1**

**Question Key Details :**

| Key           | Value |
|---------------|-------|
| Comprehension | Comp1 |

**Read the passage and answer the questions:**

Temple building in the region had a long history, going back to dynasties such as the Pallavas, Chalukyas, Hoysalas and Cholas. Rulers very often encouraged temple building as a means of associating themselves with the divine - often, the deity was explicitly or implicitly identified with the king. Temples also functioned as centres of learning. Besides, rulers and others often granted land and other resources for the maintenance of temples. Consequently, temples developed as significant religious, social, cultural and economic centres. From the point of view of the rulers, constructing, repairing and maintaining temples were important means of winning support and recognition for their power, wealth and piety.

What was the 'Kalyana mandapa' used for?

1. To worship the image of God.
2. To celebrate divine weddings.
3. For dance and music performances.
4. For drama performances.

**Options :**

485584136781. 1  
485584136782. 2  
485584136783. 3  
485584136784. 4

**Question Number : 242 Question Id : 48558434197 Question Type : MCQ Option Shuffling : No Is Question Mandatory : No Calculator : None Response Time : N.A Think Time : N.A Minimum Instruction Time : 0**

**Correct Marks : 5 Wrong Marks : 1**

**Question Key Details :**

| Key           | Value |
|---------------|-------|
| Comprehension | Comp1 |

**Read the passage and answer the questions:**

Temple building in the region had a long history, going back to dynasties such as the Pallavas, Chalukyas, Hoysalas and Cholas. Rulers very often encouraged temple building as a means of associating themselves with the divine - often, the deity was explicitly or implicitly identified with the king. Temples also functioned as centres of learning. Besides, rulers and others often granted land and other resources for the maintenance of temples. Consequently, temples developed as significant religious, social, cultural and economic centres. From the point of view of the rulers, constructing, repairing and maintaining temples were important means of winning support and recognition for their power, wealth and piety.

Krishnadeva Raya built a hall in front of the main shrine of which of the following temples to mark his accession?

1. Hazara Rama Temple
2. Vithala Temple
3. Virupaksha Temple
4. Chidambaram Temple

**Options :**

485584136785. 1  
485584136786. 2  
485584136787. 3  
485584136788. 4

**Question Number : 243 Question Id : 48558434198 Question Type : MCQ Option Shuffling : No Is Question Mandatory : No Calculator : None Response Time : N.A Think Time : N.A Minimum Instruction Time : 0**

**Correct Marks : 5 Wrong Marks : 1**

**Question Key Details :**

| Key           | Value |
|---------------|-------|
| Comprehension | Comp1 |

**Read the passage and answer the questions:**

Temple building in the region had a long history, going back to dynasties such as the Pallavas, Chalukyas, Hoysalas and Cholas. Rulers very often encouraged temple building as a means of associating themselves with the divine - often, the deity was explicitly or implicitly identified with the king. Temples also functioned as centres of learning. Besides, rulers and others often granted land and other resources for the maintenance of temples. Consequently, temples developed as significant religious, social, cultural and economic centres. From the point of view of the rulers, constructing, repairing and maintaining temples were important means of winning support and recognition for their power, wealth and piety.

Which of the following temple has a shrine designed as a 'chariot'?

1. Brihadeshvara Temple
2. Chidambaram Temple
3. Virupaksha Temple
4. Vitthala Temple

**Options :**

485584136789. 1  
485584136790. 2  
485584136791. 3  
485584136792. 4

**Question Number : 244 Question Id : 48558434199 Question Type : MCQ Option Shuffling : No Is Question Mandatory : No Calculator : None Response Time : N.A Think Time : N.A Minimum Instruction Time : 0**

**Correct Marks : 5 Wrong Marks : 1**

**Question Key Details :**

| Key           | Value |
|---------------|-------|
| Comprehension | Comp1 |

**Read the passage and answer the questions:**

Temple building in the region had a long history, going back to dynasties such as the Pallavas, Chalukyas, Hoysalas and Cholas. Rulers very often encouraged temple building as a means of associating themselves with the divine - often, the deity was explicitly or implicitly identified with the king. Temples also functioned as centres of learning. Besides, rulers and others often granted land and other resources for the maintenance of temples. Consequently, temples developed as significant religious, social, cultural and economic centres. From the point of view of the rulers, constructing, repairing and maintaining temples were important means of winning support and recognition for their power, wealth and piety.

Which of the following temple portrays sculpture of scenes from the Ramayana?

1. Vitthala Temple
2. Hazar Rama Temple
3. Pampadevi Temple
4. Virupaksha Temple

**Options :**

485584136793. 1  
485584136794. 2  
485584136795. 3  
485584136796. 4

**Question Number : 245 Question Id : 48558434200 Question Type : MCQ Option Shuffling : No Is Question Mandatory : No Calculator : None Response Time : N.A Think Time : N.A Minimum Instruction Time : 0**

**Correct Marks : 5 Wrong Marks : 1**

**Question Key Details :**

| Key           | Value |
|---------------|-------|
| Comprehension | Comp1 |

**Read the passage and answer the questions:**

Temple building in the region had a long history, going back to dynasties such as the Pallavas, Chalukyas, Hoysalas and Cholas. Rulers very often encouraged temple building as a means of associating themselves with the divine - often, the deity was explicitly or implicitly identified with the king. Temples also functioned as centres of learning. Besides, rulers and others often granted land and other resources for the maintenance of temples. Consequently, temples developed as significant religious, social, cultural and economic centres. From the point of view of the rulers, constructing, repairing and maintaining temples were important means of winning support and recognition for their power, wealth and piety.

"In our study of these monuments of Vijayanagara we have to imagine a whole series of vanished wooden elements...." Who amongst the following stated these lines?

- A. J. F. Fleet
- B. George Michell
- C. M.S. Nagaraja
- D. Fernao Nuniz

Choose the **correct** answer from the options given below:

- 1. A, B only
- 2. B, C only
- 3. C, D only
- 4. B, D only

**Options :**

- 485584136797. 1
- 485584136798. 2
- 485584136799. 3
- 485584136800. 4

**Sub-Section Number :** 3  
**Sub-Section Id :** 4855842541  
**Question Shuffling Allowed :** No  
**Is Section Default? :** null

**Question Number : 246 Question Id : 48558434201 Question Type : MCQ Option Shuffling : No Is Question Mandatory : No Calculator : None Response Time : N.A Think Time : N.A Minimum Instruction Time : 0**

**Correct Marks : 5 Wrong Marks : 1**

**Question Key Details :**

| Key           | Value |
|---------------|-------|
| Comprehension | Comp2 |



**Read the passage and answer the questions:**

In January 1915, Mohandas Karamchand Gandhi returned to his homeland after two decades of residence abroad. These years had been spent for the most part in South Africa, where he went as a lawyer, and in time became a leader of the Indian community in that territory. As the historian Chandran Devanesan has remarked, South Africa was "the making of the Mahatma". It was in South Africa that Mahatma Gandhi first forged the distinctive techniques of non-violent protest known as satyagraha, first promoted harmony between religions, and first alerted upper-caste Indians to their discriminatory treatment of low castes and women.

In 1915, Mahatma Gandhi returned to India from which country?

1. England
2. South Africa
3. Mexico
4. Kenya

**Options :**

485584136801. 1  
485584136802. 2  
485584136803. 3  
485584136804. 4

**Question Number : 247 Question Id : 48558434202 Question Type : MCQ Option Shuffling : No Is Question Mandatory : No Calculator : None Response Time : N.A Think Time : N.A Minimum Instruction Time : 0**

**Correct Marks : 5 Wrong Marks : 1**

**Question Key Details :**

| Key           | Value |
|---------------|-------|
| Comprehension | Comp2 |

**Read the passage and answer the questions:**

In January 1915, Mohandas Karamchand Gandhi returned to his homeland after two decades of residence abroad. These years had been spent for the most part in South Africa, where he went as a lawyer, and in time became a leader of the Indian community in that territory. As the historian Chandran Devanesan has remarked, South Africa was "the making of the Mahatma". It was in South Africa that Mahatma Gandhi first forged the distinctive techniques of non-violent protest known as satyagraha, first promoted harmony between religions, and first alerted upper-caste Indians to their discriminatory treatment of low castes and women.

Where was the technique of 'satyagraha' invented?

1. Ahmedabad
2. Champaran
3. Kheda
4. South Africa

**Options :**

485584136805. 1  
485584136806. 2  
485584136807. 3  
485584136808. 4

**Question Number : 248 Question Id : 48558434203 Question Type : MCQ Option Shuffling : No Is Question Mandatory : No Calculator : None Response Time : N.A Think Time : N.A Minimum Instruction Time : 0**

**Correct Marks : 5 Wrong Marks : 1**

**Question Key Details :**

| Key           | Value |
|---------------|-------|
| Comprehension | Comp2 |

**Read the passage and answer the questions:**

In January 1915, Mohandas Karamchand Gandhi returned to his homeland after two decades of residence abroad. These years had been spent for the most part in South Africa, where he went as a lawyer, and in time became a leader of the Indian community in that territory. As the historian Chandran Devanesan has remarked, South Africa was "the making of the Mahatma". It was in South Africa that Mahatma Gandhi first forged the distinctive techniques of non-violent protest known as satyagraha, first promoted harmony between religions, and first alerted upper-caste Indians to their discriminatory treatment of low castes and women.

Where did Mahatma Gandhi give his first public appearance after returning to India?

1. Kheda
2. Ahmedabad
3. Champaran
4. Banaras

**Options :**

485584136809. 1  
485584136810. 2  
485584136811. 3  
485584136812. 4

**Question Number : 249 Question Id : 48558434204 Question Type : MCQ Option Shuffling : No Is Question Mandatory : No Calculator : None Response Time : N.A Think Time : N.A Minimum Instruction Time : 0**

**Correct Marks : 5 Wrong Marks : 1**

**Question Key Details :**

| Key           | Value |
|---------------|-------|
| Comprehension | Comp2 |

**Read the passage and answer the questions:**

In January 1915, Mohandas Karamchand Gandhi returned to his homeland after two decades of residence abroad. These years had been spent for the most part in South Africa, where he went as a lawyer, and in time became a leader of the Indian community in that territory. As the historian Chandran Devanesan has remarked, South Africa was "the making of the Mahatma". It was in South Africa that Mahatma Gandhi first forged the distinctive techniques of non-violent protest known as satyagraha, first promoted harmony between religions, and first alerted upper-caste Indians to their discriminatory treatment of low castes and women.

Which historian remarked that South Africa was "the making of the Mahatma"?

1. Chandran Devanesan
2. Irfan Habib
3. Romila Thapar
4. Seema Alavi

**Options :**

- 485584136813. 1
- 485584136814. 2
- 485584136815. 3
- 485584136816. 4

**Question Number : 250 Question Id : 48558434205 Question Type : MCQ Option Shuffling : No Is Question Mandatory : No Calculator : None Response Time : N.A Think Time : N.A Minimum Instruction Time : 0**

**Correct Marks : 5 Wrong Marks : 1**

**Question Key Details :**

| Key           | Value |
|---------------|-------|
| Comprehension | Comp2 |

**Read the passage and answer the questions:**

In January 1915, Mohandas Karamchand Gandhi returned to his homeland after two decades of residence abroad. These years had been spent for the most part in South Africa, where he went as a lawyer, and in time became a leader of the Indian community in that territory. As the historian Chandran Devanesan has remarked, South Africa was "the making of the Mahatma". It was in South Africa that Mahatma Gandhi first forged the distinctive techniques of non-violent protest known as satyagraha, first promoted harmony between religions, and first alerted upper-caste Indians to their discriminatory treatment of low castes and women.

Who was Gandhi's political mentor after his return from South Africa?

1. Mohammad Ali Jinnah
2. Gopal Krsihna Gokhale
3. Bipin Chadra Pal
4. Bal Gangadhar Tilak

**Options :**

485584136817. 1  
485584136818. 2  
485584136819. 3  
485584136820. 4

### KTPI

**Group Number :** 11  
**Group Id :** 485584778  
**Group Maximum Duration :** 45  
**Group Minimum Duration :** 45  
**Show Attended Group? :** No  
**Edit Attended Group? :** No  
**Break time :** 0  
**Group Marks :** 200  
**Is this Group for Examiner? :** No  
**Examiner permission :** Cant View  
**Show Progress Bar? :** No

### KTPI

**Section Id :** 485584896  
**Section Number :** 1  
**Section type :** Online  
**Mandatory or Optional :** Mandatory  
**Number of Questions :** 50  
**Number of Questions to be attempted :** 40  
**Section Marks :** 200  
**Enable Mark as Answered Mark for Review and Clear Response :** Yes  
**Maximum Instruction Time :** 0  
**Sub-Section Number :** 1  
**Sub-Section Id :** 4855842542  
**Question Shuffling Allowed :** Yes  
**Is Section Default? :** null

**Question Number : 251 Question Id : 48558434256 Question Type : MCQ Option Shuffling : No Is Question Mandatory : No Calculator : None Response Time : N.A Think Time : N.A Minimum Instruction Time : 0**

**Correct Marks : 5 Wrong Marks : 1**

**Question Key Details :**

| Key           | Value |
|---------------|-------|
| Comprehension | MCQ   |

How many purusarthas are defined in Hindu way of life?

1. 5
2. 4
3. 2
4. 3

**Options :**

- 485584137021. 1
- 485584137022. 2
- 485584137023. 3
- 485584137024. 4

**Question Number : 251 Question Id : 48558434256 Question Type : MCQ Option Shuffling : No Is Question Mandatory : No Calculator : None Response Time : N.A Think Time : N.A Minimum Instruction Time : 0**

**Correct Marks : 5 Wrong Marks : 1**

**Question Key Details :**

| Key           | Value |
|---------------|-------|
| Comprehension | MCQ   |

হিন্দু জীৱনশৈলীত কেইটা পুৰুষাৰ্থৰ কথা কোৱা হৈছে?

- 1. 5
- 2. 4
- 3. 2
- 4. 3

**Options :**

- 485584137021. 1
- 485584137022. 2
- 485584137023. 3
- 485584137024. 4

**Question Number : 252 Question Id : 48558434257 Question Type : MCQ Option Shuffling : No Is Question Mandatory : No Calculator : None Response Time : N.A Think Time : N.A Minimum Instruction Time : 0**

**Correct Marks : 5 Wrong Marks : 1**

**Question Key Details :**

| Key           | Value |
|---------------|-------|
| Comprehension | MCQ   |

The word Dhamma is used in :

- 1. Rgveda
- 2. Bhagavad-Gita
- 3. Jain Ethics
- 4. Buddhism

**Options :**

- 485584137025. 1
- 485584137026. 2
- 485584137027. 3
- 485584137028. 4

**Question Number : 252 Question Id : 48558434257 Question Type : MCQ Option Shuffling : No Is Question Mandatory : No Calculator : None Response Time : N.A Think Time : N.A Minimum Instruction Time : 0**

Correct Marks : 5 Wrong Marks : 1

Question Key Details :

| Key           | Value |
|---------------|-------|
| Comprehension | MCQ   |

ধম্ম (Dhamma) শব্দ ক'ত ব্যৱহাৰ কৰা হৈছে :

1. ঋগবেদ
2. ভাগৱত গীতা
3. জৈন নীতিশাস্ত্ৰ
4. বৌদ্ধধৰ্ম

Options :

485584137025. 1  
485584137026. 2  
485584137027. 3  
485584137028. 4

Question Number : 253 Question Id : 48558434258 Question Type : MCQ Option Shuffling : No Is Question Mandatory : No Calculator : None Response Time : N.A Think Time : N.A Minimum Instruction Time : 0

Correct Marks : 5 Wrong Marks : 1

Question Key Details :

| Key           | Value |
|---------------|-------|
| Comprehension | MCQ   |

Which stage of life is the grahastha, stage of the householder in the Hindu way of life?

1. 4
2. 2
3. 1
4. 3

Options :

485584137029. 1  
485584137030. 2  
485584137031. 3  
485584137032. 4

Question Number : 253 Question Id : 48558434258 Question Type : MCQ Option Shuffling : No Is Question Mandatory : No Calculator : None Response Time : N.A Think Time : N.A Minimum Instruction Time : 0

Correct Marks : 5 Wrong Marks : 1

Question Key Details :

| Key           | Value |
|---------------|-------|
| Comprehension | MCQ   |

হিন্দু জীৱনশৈলীত কোনটো গ্যাৰ্হস্থ্য পয্যায়, যিটো হৈছে গৃহস্থী ধৰ্ম পালনৰ সময়?

1. 4
2. 2
3. 1
4. 3

**Options :**

485584137029. 1  
485584137030. 2  
485584137031. 3  
485584137032. 4

**Question Number : 254 Question Id : 48558434259 Question Type : MCQ Option Shuffling : No Is Question Mandatory : No Calculator : None Response Time : N.A Think Time : N.A Minimum Instruction Time : 0**

**Correct Marks : 5 Wrong Marks : 1**

**Question Key Details :**

| Key           | Value |
|---------------|-------|
| Comprehension | MCQ   |

Who among the following is associated with Niti Satakam?

1. Vidur
2. Sukracarya
3. Bhartrhari
4. King Bhoja

**Options :**

485584137033. 1  
485584137034. 2  
485584137035. 3  
485584137036. 4

**Question Number : 254 Question Id : 48558434259 Question Type : MCQ Option Shuffling : No Is Question Mandatory : No Calculator : None Response Time : N.A Think Time : N.A Minimum Instruction Time : 0**

**Correct Marks : 5 Wrong Marks : 1**

**Question Key Details :**

| Key           | Value |
|---------------|-------|
| Comprehension | MCQ   |

নীতি সতকামৰ লগত তলৰ কোনজন জড়িত?

1. বিদূৰ
2. শুক্ৰাচাৰ্য
3. ভৰ্তৃহাৰি
4. ভোজ ৰজা

**Options :**

485584137033. 1  
485584137034. 2  
485584137035. 3  
485584137036. 4

**Question Number : 255 Question Id : 48558434260 Question Type : MCQ Option Shuffling : No Is Question Mandatory : No Calculator : None Response Time : N.A Think Time : N.A Minimum Instruction Time : 0**

**Correct Marks : 5 Wrong Marks : 1**

**Question Key Details :**

| Key           | Value |
|---------------|-------|
| Comprehension | MCQ   |

Which among the following is the basis of the Buddhist ethics?

1. Compassion
2. Friendliness
3. Good will
4. Four Noble Truths

**Options :**

485584137037. 1  
485584137038. 2  
485584137039. 3  
485584137040. 4

**Question Number : 255 Question Id : 48558434260 Question Type : MCQ Option Shuffling : No Is Question Mandatory : No Calculator : None Response Time : N.A Think Time : N.A Minimum Instruction Time : 0**

**Correct Marks : 5 Wrong Marks : 1**

**Question Key Details :**

| Key           | Value |
|---------------|-------|
| Comprehension | MCQ   |



বৌদ্ধ নীতিশাস্ত্রৰ ভেটি হ'ল?

1. কৰুণা/দয়া/সহানুভূতি
2. বন্ধুত্ববাদ
3. সদিচ্ছা
4. চাৰিটা মহৎ সত্য

**Options :**

485584137037. 1  
485584137038. 2  
485584137039. 3  
485584137040. 4

**Question Number : 256 Question Id : 48558434261 Question Type : MCQ Option Shuffling : No Is Question Mandatory : No Calculator : None Response Time : N.A Think Time : N.A Minimum Instruction Time : 0**

**Correct Marks : 5 Wrong Marks : 1**

**Question Key Details :**

| Key           | Value |
|---------------|-------|
| Comprehension | MCQ   |

In which age the tradition of excavating cave temples and monolithic shrines evolved into the construction of brick and stone temple

1. Maurya age
2. Gupta age
3. Kushan age
4. Mughal age

**Options :**

485584137041. 1  
485584137042. 2  
485584137043. 3  
485584137044. 4

**Question Number : 256 Question Id : 48558434261 Question Type : MCQ Option Shuffling : No Is Question Mandatory : No Calculator : None Response Time : N.A Think Time : N.A Minimum Instruction Time : 0**

**Correct Marks : 5 Wrong Marks : 1**

**Question Key Details :**

| Key           | Value |
|---------------|-------|
| Comprehension | MCQ   |

কোনটো গুহামন্দিৰৰ খননকাৰ্য আৰু মন'লিথিক (monolithic) মন্দিৰৰ ঠাইত ইটা আৰু শিলৰ মন্দিৰ নিৰ্মাণৰ কাম আৰম্ভ হৈছিল

1. মৌৰ্য যুগ
2. গুপ্ত যুগ
3. কুশান যুগ
4. মোগল যুগ

**Options :**

485584137041. 1  
485584137042. 2  
485584137043. 3  
485584137044. 4

**Question Number : 257 Question Id : 48558434262 Question Type : MCQ Option Shuffling : No Is Question Mandatory : No Calculator : None Response Time : N.A Think Time : N.A Minimum Instruction Time : 0**

**Correct Marks : 5 Wrong Marks : 1**

**Question Key Details :**

| Key           | Value |
|---------------|-------|
| Comprehension | MCQ   |

Match List I with List II

| LIST I |               | LIST II |                |
|--------|---------------|---------|----------------|
| A.     | Kuchipudi     | I.      | Uttar Pradesh  |
| B.     | Sattriya      | II.     | Tamil Nadu     |
| C.     | Kathak        | III.    | Andhra Pradesh |
| D.     | Bharatanatyam | IV.     | Assam          |

Choose the correct answer from the options given below:

1. A-III, B-I, C-IV, D-II
2. A-IV, B-II, C-I, D-III
3. A-III, B-IV, C-I, D-II
4. A-I, B-III, C-II, D-IV

**Options :**

485584137045. 1  
485584137046. 2  
485584137047. 3  
485584137048. 4

**Question Number : 257 Question Id : 48558434262 Question Type : MCQ Option Shuffling : No Is Question Mandatory : No Calculator : None Response Time : N.A Think Time : N.A Minimum Instruction Time : 0**

**Correct Marks : 5 Wrong Marks : 1**

**Question Key Details :**

| Key | Value |
|-----|-------|
|-----|-------|

তালিকা I ৰ সৈতে তালিকা II মিলোৱা

| তালিকা I |            | তালিকা II |               |
|----------|------------|-----------|---------------|
| A.       | কুচিপুড়ি  | I.        | উত্তৰ প্ৰদেশ  |
| B.       | সত্ৰীয়া   | II.       | তামিল নাডু    |
| C.       | কথক        | III.      | অন্ধ্ৰ প্ৰদেশ |
| D.       | ভাৰতনাট্যম | IV.       | অসম           |

তলত দিয়াবোৰৰ পৰা শুদ্ধ বিকল্পটো বাছি উলিওৱা

1. A-III, B-I, C-IV, D-II
2. A-IV, B-II, C-I, D-III
3. A-III, B-IV, C-I, D-II
4. A-I, B-III, C-II, D-IV

**Options :**

485584137045. 1  
485584137046. 2  
485584137047. 3  
485584137048. 4

**Question Number : 258 Question Id : 48558434263 Question Type : MCQ Option Shuffling : No Is Question Mandatory : No Calculator : None Response Time : N.A Think Time : N.A Minimum Instruction Time : 0**

**Correct Marks : 5 Wrong Marks : 1**

**Question Key Details :**

| Key           | Value |
|---------------|-------|
| Comprehension | MCQ   |

In India where do you find sculptures depicting odissi style?

1. Caves of Ellora
2. Caves of Udayagiri and Khandagiri
3. Caves of Ajanta
4. Caves of Nilgiri

**Options :**

485584137049. 1  
485584137050. 2  
485584137051. 3  
485584137052. 4

**Question Number : 258 Question Id : 48558434263 Question Type : MCQ Option Shuffling : No Is Question Mandatory : No Calculator : None Response Time : N.A Think Time : N.A Minimum Instruction Time : 0**

**Correct Marks : 5 Wrong Marks : 1**

**Question Key Details :**

| Key | Value |
|-----|-------|
|-----|-------|

ভাৰতৰ ক'ত উড়িয়া শৈলীৰ ভাষ্কৰ্য্য দেখা যায়?

1. ইলোৰাৰ গুহা
2. উদয়গিৰি আৰু খণ্ডগিৰিৰ গুহা
3. অজন্তাৰ গুহা
4. নীলগিৰিৰ গুহা

**Options :**

485584137049. 1  
485584137050. 2  
485584137051. 3  
485584137052. 4

**Question Number : 259 Question Id : 48558434264 Question Type : MCQ Option Shuffling : No Is Question Mandatory : No Calculator : None Response Time : N.A Think Time : N.A Minimum Instruction Time : 0**

**Correct Marks : 5 Wrong Marks : 1**

**Question Key Details :**

| Key           | Value |
|---------------|-------|
| Comprehension | MCQ   |

In 1930s, E. Krishna Iyer and Rukmini Devi Arundale renamed Sadirattam as \_\_\_\_\_?

1. Odissi
2. Kucipudi
3. Manipuri
4. Bharatanatyam

**Options :**

485584137053. 1  
485584137054. 2  
485584137055. 3  
485584137056. 4

**Question Number : 259 Question Id : 48558434264 Question Type : MCQ Option Shuffling : No Is Question Mandatory : No Calculator : None Response Time : N.A Think Time : N.A Minimum Instruction Time : 0**

**Correct Marks : 5 Wrong Marks : 1**

**Question Key Details :**

| Key           | Value |
|---------------|-------|
| Comprehension | MCQ   |

1930 চনত, ই. কৃষ্ণ আয়াৰ আৰু ৰুক্মিণী দেৱী অৰুণডালেই সদিবত্তম (Sadirattam) হিচাপে পুনৰ নামকৰণ কৰিছিল \_\_\_\_\_ ?

1. উদিচি
2. কুচিপুড়ি
3. মনিপুৰী
4. ভাৰতনাট্যম

**Options :**

485584137053. 1  
485584137054. 2  
485584137055. 3  
485584137056. 4

**Question Number : 260 Question Id : 48558434265 Question Type : MCQ Option Shuffling : No Is Question Mandatory : No Calculator : None Response Time : N.A Think Time : N.A Minimum Instruction Time : 0**

**Correct Marks : 5 Wrong Marks : 1**

**Question Key Details :**

| Key           | Value |
|---------------|-------|
| Comprehension | MCQ   |

The ( Brhadesvara ) temple of Thanjavur belongs to which century?

1. 9th century
2. 10th Century
3. 11th Century
4. 12th Century

**Options :**

485584137057. 1  
485584137058. 2  
485584137059. 3  
485584137060. 4

**Question Number : 260 Question Id : 48558434265 Question Type : MCQ Option Shuffling : No Is Question Mandatory : No Calculator : None Response Time : N.A Think Time : N.A Minimum Instruction Time : 0**

**Correct Marks : 5 Wrong Marks : 1**

**Question Key Details :**

| Key           | Value |
|---------------|-------|
| Comprehension | MCQ   |

তাপ্ৰাভোৰত থকা ব্ৰহ্মদেৱৰাৰা ( Brhadesvara ) মন্দিৰ কোনটো শতিকাৰ?

1. 9ম শতিকাৰ
2. 10ম শতিকাৰ
3. 11শ শতিকাৰ
4. 12শ শতিকাৰ

**Options :**

485584137057. 1  
485584137058. 2  
485584137059. 3  
485584137060. 4

**Question Number : 261 Question Id : 48558434266 Question Type : MCQ Option Shuffling : No Is Question Mandatory : No Calculator : None Response Time : N.A Think Time : N.A Minimum Instruction Time : 0**

**Correct Marks : 5 Wrong Marks : 1**

**Question Key Details :**

| Key           | Value |
|---------------|-------|
| Comprehension | MCQ   |

Dharma required all including students in the ancient days to perform their

1. Work
2. Skills
3. Duty
4. Prayers

**Options :**

485584137061. 1  
485584137062. 2  
485584137063. 3  
485584137064. 4

**Question Number : 261 Question Id : 48558434266 Question Type : MCQ Option Shuffling : No Is Question Mandatory : No Calculator : None Response Time : N.A Think Time : N.A Minimum Instruction Time : 0**

**Correct Marks : 5 Wrong Marks : 1**

**Question Key Details :**

| Key           | Value |
|---------------|-------|
| Comprehension | MCQ   |

ছাত্র/শিষ্য সকলোৰে তেওঁলোকৰ \_\_\_\_\_ প্ৰদৰ্শনৰ বাবে ধৰ্ম প্ৰয়োজন হৈছিল

1. কৰ্ম
2. দক্ষতা
3. কৰ্তব্য
4. প্ৰাৰ্থনা

**Options :**

485584137061. 1  
485584137062. 2  
485584137063. 3  
485584137064. 4

**Question Number : 262 Question Id : 48558434267 Question Type : MCQ Option Shuffling : No Is Question Mandatory : No Calculator : None Response Time : N.A Think Time : N.A Minimum Instruction Time : 0**

**Correct Marks : 5 Wrong Marks : 1**

**Question Key Details :**

| Key           | Value |
|---------------|-------|
| Comprehension | MCQ   |

The Sastras are classified into:

1. Sastra and Kavya
2. Pauruseya and Apauruseya
3. Vedas and Vedangas
4. Siksa and Kalpa

**Options :**

485584137065. 1  
485584137066. 2  
485584137067. 3  
485584137068. 4

**Question Number : 262 Question Id : 48558434267 Question Type : MCQ Option Shuffling : No Is Question Mandatory : No Calculator : None Response Time : N.A Think Time : N.A Minimum Instruction Time : 0**

**Correct Marks : 5 Wrong Marks : 1**

**Question Key Details :**

| Key           | Value |
|---------------|-------|
| Comprehension | MCQ   |

শাস্ত্রবোঝক শ্রেণীবদ্ধ কৰা হয়ঃ

1. শাস্ত্র আৰু কাব্য হিচাপে
2. পুৰুষেয় আৰু অপুৰুষেয় হিচাপে
3. বেদ আৰু বেদাংগ হিচাপে
4. শিক্ষা আৰু কল্প হিচাপে

**Options :**

485584137065. 1  
485584137066. 2  
485584137067. 3  
485584137068. 4

**Question Number : 263 Question Id : 48558434268 Question Type : MCQ Option Shuffling : No Is Question Mandatory : No Calculator : None Response Time : N.A Think Time : N.A Minimum Instruction Time : 0**

**Correct Marks : 5 Wrong Marks : 1**

**Question Key Details :**

| Key           | Value |
|---------------|-------|
| Comprehension | MCQ   |

Which among the following is not a part of Vedanga?

1. Siksa
2. Kavya
3. Kalpa
4. Vyakarana

**Options :**

485584137069. 1  
485584137070. 2  
485584137071. 3  
485584137072. 4

**Question Number : 263 Question Id : 48558434268 Question Type : MCQ Option Shuffling : No Is Question Mandatory : No Calculator : None Response Time : N.A Think Time : N.A Minimum Instruction Time : 0**

**Correct Marks : 5 Wrong Marks : 1**

**Question Key Details :**

| Key           | Value |
|---------------|-------|
| Comprehension | MCQ   |



তলৰ কোনটো বেদাংগৰ অংশ নহয়?

1. শিক্ষা
2. কাব্য
3. কল্প
4. ব্যাকৰণ

**Options :**

485584137069. 1  
485584137070. 2  
485584137071. 3  
485584137072. 4

**Question Number : 264 Question Id : 48558434269 Question Type : MCQ Option Shuffling : No Is Question Mandatory : No Calculator : None Response Time : N.A Think Time : N.A Minimum Instruction Time : 0**

**Correct Marks : 5 Wrong Marks : 1**

**Question Key Details :**

| Key           | Value |
|---------------|-------|
| Comprehension | MCQ   |

Pauruseya literature is also known as

1. Sruti literature
2. Sastrartha
3. Kavya
4. Smriti Literature

**Options :**

485584137073. 1  
485584137074. 2  
485584137075. 3  
485584137076. 4

**Question Number : 264 Question Id : 48558434269 Question Type : MCQ Option Shuffling : No Is Question Mandatory : No Calculator : None Response Time : N.A Think Time : N.A Minimum Instruction Time : 0**

**Correct Marks : 5 Wrong Marks : 1**

**Question Key Details :**

| Key           | Value |
|---------------|-------|
| Comprehension | MCQ   |

পুৰুষেয় সাহিত্যৰ অন্য নাম হ'ল

1. শ্ৰুতি সাহিত্য
2. শাস্ত্ৰাৰ্থ
3. কাব্য
4. স্মৃতি সাহিত্য

**Options :**

485584137073. 1  
485584137074. 2  
485584137075. 3  
485584137076. 4

**Question Number : 265 Question Id : 48558434270 Question Type : MCQ Option Shuffling : No Is Question Mandatory : No Calculator : None Response Time : N.A Think Time : N.A Minimum Instruction Time : 0**

**Correct Marks : 5 Wrong Marks : 1**

**Question Key Details :**

| Key           | Value |
|---------------|-------|
| Comprehension | MCQ   |

Which among the following is not a stage of path to knowledge as given in the Brhadaranyaka upanisad?

1. Sravana
2. Sastrartha
3. Manana
4. Nidhidhyasana

**Options :**

485584137077. 1  
485584137078. 2  
485584137079. 3  
485584137080. 4

**Question Number : 265 Question Id : 48558434270 Question Type : MCQ Option Shuffling : No Is Question Mandatory : No Calculator : None Response Time : N.A Think Time : N.A Minimum Instruction Time : 0**

**Correct Marks : 5 Wrong Marks : 1**

**Question Key Details :**

| Key           | Value |
|---------------|-------|
| Comprehension | MCQ   |

ভদৰন্যাকা উপনিষদমতে তলৰ কোনটো জ্ঞান প্ৰাপ্তিৰ পথৰ পৰ্যায় নহয়?

1. শ্ৰৱণ
2. শাস্ত্ৰাৰ্থ
3. মনন
4. নিধিধ্যাসন

**Options :**

485584137077. 1  
485584137078. 2  
485584137079. 3  
485584137080. 4

**Question Number : 266 Question Id : 48558434271 Question Type : MCQ Option Shuffling : No Is Question Mandatory : No Calculator : None Response Time : N.A Think Time : N.A Minimum Instruction Time : 0**

**Correct Marks : 5 Wrong Marks : 1**

**Question Key Details :**

| Key           | Value |
|---------------|-------|
| Comprehension | MCQ   |

Arrange the four ends of life (Purusartha Catustaya) in sequence.

- A. Kama
- B. Moksa
- C. Artha
- D. Dharma

Choose the correct answer from the options given below:

1. A, B, D, C
2. B, C, A, D
3. D, C, A, B
4. C, A, B, D

**Options :**

485584137081. 1  
485584137082. 2  
485584137083. 3  
485584137084. 4

**Question Number : 266 Question Id : 48558434271 Question Type : MCQ Option Shuffling : No Is Question Mandatory : No Calculator : None Response Time : N.A Think Time : N.A Minimum Instruction Time : 0**

**Correct Marks : 5 Wrong Marks : 1**

**Question Key Details :**

| Key           | Value |
|---------------|-------|
| Comprehension | MCQ   |

তলত দিয়া জীৱনৰ শেষ পৰিণতি চাৰিটা (পুৰুষাৰ্থ বেতুস্তায়ঃ) চাৰিটা অনুক্ৰমত সজোৱা

- A. কাম
- B. মোক্ষ
- C. অৰ্থ
- D. ধৰ্ম

তলত দিয়াবোৰৰ পৰা শুদ্ধ বিকল্পটো বাছি উলিওৱা:

- 1. A, B, D, C
- 2. B, C, A, D
- 3. D, C, A, B
- 4. C, A, B, D

**Options :**

- 485584137081. 1
- 485584137082. 2
- 485584137083. 3
- 485584137084. 4

**Question Number : 267 Question Id : 48558434272 Question Type : MCQ Option Shuffling : No Is Question Mandatory : No Calculator : None Response Time : N.A Think Time : N.A Minimum Instruction Time : 0**

**Correct Marks : 5 Wrong Marks : 1**

**Question Key Details :**

| Key           | Value |
|---------------|-------|
| Comprehension | MCQ   |

Name the Chinese Scholars who visited Nalanda in the 7th century CE.

- A. I-tsing
- B. Hsuan-tsang
- C. Ba Jin
- D. Kang Youwei

Choose the correct answer from the options given below:

- 1. A and B only
- 2. B and C only
- 3. C and D only
- 4. D and A only

**Options :**

- 485584137085. 1
- 485584137086. 2
- 485584137087. 3
- 485584137088. 4

Question Number : 267 Question Id : 48558434272 Question Type : MCQ Option Shuffling : No Is Question Mandatory : No Calculator : None Response Time : N.A Think Time : N.A Minimum Instruction Time : 0

Correct Marks : 5 Wrong Marks : 1

Question Key Details :

| Key           | Value |
|---------------|-------|
| Comprehension | MCQ   |

খ্রীষ্টাব্দ 7ম শতিকাত নালন্দা ভ্ৰমণ কৰা চীনা পণ্ডিতজনৰ নাম কি

- A. আই-চিং (I-tsing)
- B. হিউৱেন চাং (Hsuan-tsang)
- C. বা জিন (Ba Jin)
- D. কাং ইউৱেই (Kang Youwei)

তলত দিয়াবোৰৰ পৰা শুদ্ধ বিকল্পটো বাছি উলিওৱা

- 1. কেৱল A আৰু B
- 2. কেৱল B আৰু C
- 3. কেৱল C আৰু D
- 4. কেৱল D আৰু A

Options :

- 485584137085. 1
- 485584137086. 2
- 485584137087. 3
- 485584137088. 4

Question Number : 268 Question Id : 48558434273 Question Type : MCQ Option Shuffling : No Is Question Mandatory : No Calculator : None Response Time : N.A Think Time : N.A Minimum Instruction Time : 0

Correct Marks : 5 Wrong Marks : 1

Question Key Details :

| Key           | Value |
|---------------|-------|
| Comprehension | MCQ   |

Match List I with List II

| LIST I |                 | LIST II |                                |
|--------|-----------------|---------|--------------------------------|
| A.     | Krida           | I.      | Archery, sword play            |
| B.     | Vyayama Prakara | II.     | Pranayama, asana               |
| C.     | Yoga - Sadhana  | III.    | games, recreational activities |
| D.     | Dhanurveda      | IV.     | Various types of exercises     |

Choose the correct answer from the options given below:

1. A-III, B-II, C-IV, D-I
2. A-II, B-III, C-I, D-IV
3. A-III, B-IV, C-II, D-I
4. A-I, B-II, C-III, D-IV

**Options :**

485584137089. 1  
485584137090. 2  
485584137091. 3  
485584137092. 4

**Question Number : 268 Question Id : 48558434273 Question Type : MCQ Option Shuffling : No Is Question Mandatory : No Calculator : None Response Time : N.A Think Time : N.A Minimum Instruction Time : 0**

**Correct Marks : 5 Wrong Marks : 1**

**Question Key Details :**

| Key           | Value |
|---------------|-------|
| Comprehension | MCQ   |

তালিকা I ৰ সৈতে তালিকা II মিলোৱা

| তালিকা I |                 | তালিকা II |                             |
|----------|-----------------|-----------|-----------------------------|
| A.       | ক্রীড়া         | I.        | আৰ্চাৰী, তৰোৱাল চালনা       |
| B.       | ব্যায়াম প্ৰকাৰ | II.       | প্ৰণায়ম, আসন               |
| C.       | যোগ-সাধনা       | III.      | খেল, বিনোদনমূল ক্ৰিয়া-কলাপ |
| D.       | ধনুবিদ          | IV.       | বিভিন্ন ধৰণৰ ব্যায়াম       |

তলত দিয়াবোৰৰ পৰা শুদ্ধ বিকল্পটো বাছি উলিওৱা

1. A-III, B-II, C-IV, D-I
2. A-II, B-III, C-I, D-IV
3. A-III, B-IV, C-II, D-I
4. A-I, B-II, C-III, D-IV

**Options :**

485584137089. 1  
485584137090. 2  
485584137091. 3  
485584137092. 4

Question Number : 269 Question Id : 48558434274 Question Type : MCQ Option Shuffling : No Is Question Mandatory : No Calculator : None Response Time : N.A Think Time : N.A Minimum Instruction Time : 0

Correct Marks : 5 Wrong Marks : 1

Question Key Details :

| Key           | Value |
|---------------|-------|
| Comprehension | MCQ   |

Three gems in life are right vision, right knowledge and \_\_\_\_\_

1. right choice
2. right step
3. right conduct
4. right word

Options :

485584137093. 1  
485584137094. 2  
485584137095. 3  
485584137096. 4

Question Number : 269 Question Id : 48558434274 Question Type : MCQ Option Shuffling : No Is Question Mandatory : No Calculator : None Response Time : N.A Think Time : N.A Minimum Instruction Time : 0

Correct Marks : 5 Wrong Marks : 1

Question Key Details :

| Key           | Value |
|---------------|-------|
| Comprehension | MCQ   |

জীৱন ত্ৰিৰত্ন হ'ল শুদ্ধ দৃষ্টি/দৰ্শন, শুদ্ধ জ্ঞান আৰু \_\_\_\_\_।

1. শুদ্ধ বিচাৰ/বিবেচনা
2. শুদ্ধ পথ
3. শুদ্ধ আচৰণ
4. সঠিক বচন/বাক্য

Options :

485584137093. 1  
485584137094. 2  
485584137095. 3  
485584137096. 4

Question Number : 270 Question Id : 48558434275 Question Type : MCQ Option Shuffling : No Is Question Mandatory : No Calculator : None Response Time : N.A Think Time : N.A Minimum Instruction Time : 0

Correct Marks : 5 Wrong Marks : 1

Question Key Details :

| Key           | Value |
|---------------|-------|
| Comprehension | MCQ   |

According to Jainism Spiritual growth is dependent upon \_\_\_\_\_

1. religious rituals
2. hygienic food
3. meditation
4. right conduct

**Options :**

485584137097. 1  
485584137098. 2  
485584137099. 3  
485584137100. 4

**Question Number : 270 Question Id : 48558434275 Question Type : MCQ Option Shuffling : No Is Question Mandatory :  
No Calculator : None Response Time : N.A Think Time : N.A Minimum Instruction Time : 0**

**Correct Marks : 5 Wrong Marks : 1**

**Question Key Details :**

| Key           | Value |
|---------------|-------|
| Comprehension | MCQ   |

জৈন ধৰ্মৰ মতে আধ্যাত্মিক উৎকৰ্ষ ৰ ওপৰত নিৰ্ভৰ কৰে \_\_\_\_\_।

1. ধাৰ্মিক পৰ্ব
2. স্বাস্থ্যসন্মত পৰিষ্কাৰ খাদ্য
3. ধ্যান
4. ভাল আচৰণ/আচাৰ-ব্যৱহাৰ

**Options :**

485584137097. 1  
485584137098. 2  
485584137099. 3  
485584137100. 4

**Question Number : 271 Question Id : 48558434276 Question Type : MCQ Option Shuffling : No Is Question Mandatory :  
No Calculator : None Response Time : N.A Think Time : N.A Minimum Instruction Time : 0**

**Correct Marks : 5 Wrong Marks : 1**

**Question Key Details :**

| Key           | Value |
|---------------|-------|
| Comprehension | MCQ   |



Who are the first poets according to the ancient Indian Tradition?

1. Rshis
2. Vedic Seers
3. Dialecticians
4. Grammarians

**Options :**

485584137101. 1  
485584137102. 2  
485584137103. 3  
485584137104. 4

**Question Number : 271 Question Id : 48558434276 Question Type : MCQ Option Shuffling : No Is Question Mandatory : No Calculator : None Response Time : N.A Think Time : N.A Minimum Instruction Time : 0**

**Correct Marks : 5 Wrong Marks : 1**

**Question Key Details :**

| Key           | Value |
|---------------|-------|
| Comprehension | MCQ   |

পৌৰাণিক ভাৰতীয় পৰম্পৰা অনুসৰি আদি কবি হ'ল?

1. ঋষিসকল
2. বৈদিক দ্রুতাসকল
3. উপভাষাবিদসকল
4. ব্যাকৰণবিদসকল

**Options :**

485584137101. 1  
485584137102. 2  
485584137103. 3  
485584137104. 4

**Question Number : 272 Question Id : 48558434277 Question Type : MCQ Option Shuffling : No Is Question Mandatory : No Calculator : None Response Time : N.A Think Time : N.A Minimum Instruction Time : 0**

**Correct Marks : 5 Wrong Marks : 1**

**Question Key Details :**

| Key           | Value |
|---------------|-------|
| Comprehension | MCQ   |

Which among the following is referred as 'one of the living monuments of human intelligence'?

1. Language
2. Astadhyayi
3. Mahabhasya
4. Vakyapadiya

**Options :**

485584137105. 1  
485584137106. 2  
485584137107. 3  
485584137108. 4

**Question Number : 272 Question Id : 48558434277 Question Type : MCQ Option Shuffling : No Is Question Mandatory : No Calculator : None Response Time : N.A Think Time : N.A Minimum Instruction Time : 0**

**Correct Marks : 5 Wrong Marks : 1**

**Question Key Details :**

| Key           | Value |
|---------------|-------|
| Comprehension | MCQ   |

তলৰ কোনটোক 'মানৱ বুদ্ধিমত্তাৰ জীৱন্ত কীৰ্তিচিহ্ন' বুলি কোৱা হয়?

1. ভাষা
2. অষ্টধ্যায়ী
3. মহাভাষ্য
4. বাক্যপদীয়

**Options :**

485584137105. 1  
485584137106. 2  
485584137107. 3  
485584137108. 4

**Question Number : 273 Question Id : 48558434278 Question Type : MCQ Option Shuffling : No Is Question Mandatory : No Calculator : None Response Time : N.A Think Time : N.A Minimum Instruction Time : 0**

**Correct Marks : 5 Wrong Marks : 1**

**Question Key Details :**

| Key           | Value |
|---------------|-------|
| Comprehension | MCQ   |

How many sutras are given in the invaluable work of Panini's Astadhyayi?

1. 2,000
2. 1,000
3. 4,000
4. 3,000

**Options :**

485584137109. 1  
485584137110. 2  
485584137111. 3  
485584137112. 4

**Question Number : 273 Question Id : 48558434278 Question Type : MCQ Option Shuffling : No Is Question Mandatory : No Calculator : None Response Time : N.A Think Time : N.A Minimum Instruction Time : 0**

**Correct Marks : 5 Wrong Marks : 1**

**Question Key Details :**

| Key           | Value |
|---------------|-------|
| Comprehension | MCQ   |

পানিনিৰ অমূল্য সৃষ্টি অষ্টধায়ীত কিমানটা সূত্র দিয়া হৈছে?

1. 2,000
2. 1,000
3. 4,000
4. 3,000

**Options :**

485584137109. 1  
485584137110. 2  
485584137111. 3  
485584137112. 4

**Question Number : 274 Question Id : 48558434279 Question Type : MCQ Option Shuffling : No Is Question Mandatory : No Calculator : None Response Time : N.A Think Time : N.A Minimum Instruction Time : 0**

**Correct Marks : 5 Wrong Marks : 1**

**Question Key Details :**

| Key           | Value |
|---------------|-------|
| Comprehension | MCQ   |

Match List I with List II

| LIST I |         | LIST II |                       |
|--------|---------|---------|-----------------------|
| A.     | Ghumar  | I.      | Ring dance            |
| B.     | Kalbela | II.     | Rhythmic Clapping     |
| C.     | Giddha  | III.    | Swirling robes        |
| D.     | Garba   | IV.     | Black Swirling skirts |

Choose the correct answer from the options given below:

1. A-I, B-II, C-III, D-IV
2. A-III, B-IV, C-I, D-II
3. A-II, B-III, C-IV, D-I
4. A-I, B-II, C-IV, D-III

**Options :**

485584137113. 1  
485584137114. 2  
485584137115. 3  
485584137116. 4

**Question Number : 274 Question Id : 48558434279 Question Type : MCQ Option Shuffling : No Is Question Mandatory : No Calculator : None Response Time : N.A Think Time : N.A Minimum Instruction Time : 0**

**Correct Marks : 5 Wrong Marks : 1**

**Question Key Details :**

| Key           | Value |
|---------------|-------|
| Comprehension | MCQ   |

তালিকা I ৰ সৈতে তালিকা II মিলোৱা

| তালিকা I |            | তালিকা II |                                |
|----------|------------|-----------|--------------------------------|
| A.       | ঘুমৰ       | I.        | ঘূৰি ঘূৰি নচা                  |
| B.       | কালবেলিয়া | II.       | নিৰ্দিষ্ট চন্দত বজোৱা হাতচাপৰি |
| C.       | গিদ্ধা     | III.      | ঘূৰি থকা দীঘল পোছাক            |
| D.       | গৰ্বা      | IV.       | ক'লা ঘূৰি থকা স্কাৰ্ট (skirts) |

তলৰ বিকল্পসমূহৰ পৰা শুদ্ধ উত্তৰটো বাছি উলিওৱা

1. A-I, B-II, C-III, D-IV
2. A-III, B-IV, C-I, D-II
3. A-II, B-III, C-IV, D-I
4. A-I, B-II, C-IV, D-III

**Options :**

485584137113. 1  
485584137114. 2  
485584137115. 3  
485584137116. 4

Question Number : 275 Question Id : 48558434280 Question Type : MCQ Option Shuffling : No Is Question Mandatory : No Calculator : None Response Time : N.A Think Time : N.A Minimum Instruction Time : 0

Correct Marks : 5 Wrong Marks : 1

Question Key Details :

| Key           | Value |
|---------------|-------|
| Comprehension | MCQ   |

Hindu temple architecture is divided into different types. Choose the correct number to define different types.

1. 3

2. 2

3. 4

4. 1

Options :

485584137117. 1

485584137118. 2

485584137119. 3

485584137120. 4

Question Number : 275 Question Id : 48558434280 Question Type : MCQ Option Shuffling : No Is Question Mandatory : No Calculator : None Response Time : N.A Think Time : N.A Minimum Instruction Time : 0

Correct Marks : 5 Wrong Marks : 1

Question Key Details :

| Key           | Value |
|---------------|-------|
| Comprehension | MCQ   |

হিন্দু মন্দিৰক স্থাপত্যসমূহ বিভিন্ন ভাগত ভগোৱা হৈছে। এই বিভিন্ন ধৰণবোৰ বুজাবৰ বাবে কিমানটা প্ৰকাৰ আছে।

1. 3

2. 2

3. 4

4. 1

Options :

485584137117. 1

485584137118. 2

485584137119. 3

485584137120. 4

Question Number : 276 Question Id : 48558434281 Question Type : MCQ Option Shuffling : No Is Question Mandatory : No Calculator : None Response Time : N.A Think Time : N.A Minimum Instruction Time : 0

Correct Marks : 5 Wrong Marks : 1

Question Key Details :

| Key           | Value |
|---------------|-------|
| Comprehension | MCQ   |

The origin of Indian temple architecture can be traced to

1. Vedic times
2. Gupta Period
3. Medieval Period
4. Modern Period

**Options :**

485584137121. 1  
485584137122. 2  
485584137123. 3  
485584137124. 4

**Question Number : 276 Question Id : 48558434281 Question Type : MCQ Option Shuffling : No Is Question Mandatory : No Calculator : None Response Time : N.A Think Time : N.A Minimum Instruction Time : 0**

**Correct Marks : 5 Wrong Marks : 1**

**Question Key Details :**

| Key           | Value |
|---------------|-------|
| Comprehension | MCQ   |

ভাৰতীয় মন্দিৰ স্থাপত্যৰ আৰম্ভণিকাল হ'ল

1. বৈদিক যুগ
2. গুপ্ত যুগ
3. মধ্য যুগ
4. আধুনিক যুগ

**Options :**

485584137121. 1  
485584137122. 2  
485584137123. 3  
485584137124. 4

**Question Number : 277 Question Id : 48558434282 Question Type : MCQ Option Shuffling : No Is Question Mandatory : No Calculator : None Response Time : N.A Think Time : N.A Minimum Instruction Time : 0**

**Correct Marks : 5 Wrong Marks : 1**

**Question Key Details :**

| Key           | Value |
|---------------|-------|
| Comprehension | MCQ   |

One central objective of Indian temple architecture is to connect human beings to

1. The world
2. The Religion
3. The community
4. The Universe

**Options :**

485584137125. 1  
485584137126. 2  
485584137127. 3  
485584137128. 4

**Question Number : 277 Question Id : 48558434282 Question Type : MCQ Option Shuffling : No Is Question Mandatory : No Calculator : None Response Time : N.A Think Time : N.A Minimum Instruction Time : 0**

**Correct Marks : 5 Wrong Marks : 1**

**Question Key Details :**

| Key           | Value |
|---------------|-------|
| Comprehension | MCQ   |

ভাৰতীয় মন্দিৰ স্থাপত্যৰ এক প্ৰধান উদ্দেশ্য হ'ল মানুহক \_\_\_\_\_ ৰ লগ সংযোগ ঘটোৱা

1. পৃথিৱী
2. ধৰ্ম
3. সম্প্ৰদায়
4. বিশ্ব ব্ৰহ্মাণ্ড

**Options :**

485584137125. 1  
485584137126. 2  
485584137127. 3  
485584137128. 4

**Question Number : 278 Question Id : 48558434283 Question Type : MCQ Option Shuffling : No Is Question Mandatory : No Calculator : None Response Time : N.A Think Time : N.A Minimum Instruction Time : 0**

**Correct Marks : 5 Wrong Marks : 1**

**Question Key Details :**

| Key           | Value |
|---------------|-------|
| Comprehension | MCQ   |

What is the concept of monolithic temples among the following:

1. Carved wholly out of one piece of rock
2. made in monolithic era
3. made in stones from very ancient times
4. only the deity is carved from and one stone

**Options :**

485584137129. 1

485584137130. 2

485584137131. 3

485584137132. 4

**Question Number : 278 Question Id : 48558434283 Question Type : MCQ Option Shuffling : No Is Question Mandatory : No Calculator : None Response Time : N.A Think Time : N.A Minimum Instruction Time : 0**

**Correct Marks : 5 Wrong Marks : 1**

**Question Key Details :**

| Key           | Value |
|---------------|-------|
| Comprehension | MCQ   |

তলত দিয়াবোৰৰ ভিতৰত একশিলা (monolithic) মন্দিৰৰ ধাৰণাটো হ'ল:

1. এটুকুৰা ডাঙৰ শিলৰ পৰাই কাটি উলিওৱা
2. একশিলা (monolithic) যুগত নিৰ্মিত
3. অতি পুৰণি কালৰ শিল ব্যৱহাৰ কৰি নিৰ্মিত
4. কেৱল দেৱতাজনক মাত্ৰ এটা শিলৰ পৰা উলিওৱা

**Options :**

485584137129. 1

485584137130. 2

485584137131. 3

485584137132. 4

**Question Number : 279 Question Id : 48558434284 Question Type : MCQ Option Shuffling : No Is Question Mandatory : No Calculator : None Response Time : N.A Think Time : N.A Minimum Instruction Time : 0**

**Correct Marks : 5 Wrong Marks : 1**

**Question Key Details :**

| Key           | Value |
|---------------|-------|
| Comprehension | MCQ   |



How many types of fight are included in vajramusti?

1. 6
2. 4
3. 3
4. 5

**Options :**

485584137133. 1  
485584137134. 2  
485584137135. 3  
485584137136. 4

**Question Number : 279 Question Id : 48558434284 Question Type : MCQ Option Shuffling : No Is Question Mandatory : No Calculator : None Response Time : N.A Think Time : N.A Minimum Instruction Time : 0**

**Correct Marks : 5 Wrong Marks : 1**

**Question Key Details :**

| Key           | Value |
|---------------|-------|
| Comprehension | MCQ   |

বজ্রমুষ্টিত কিমান ধৰণৰ যুদ্ধৰ কথা আছে?

1. 6
2. 4
3. 3
4. 5

**Options :**

485584137133. 1  
485584137134. 2  
485584137135. 3  
485584137136. 4

**Question Number : 280 Question Id : 48558434285 Question Type : MCQ Option Shuffling : No Is Question Mandatory : No Calculator : None Response Time : N.A Think Time : N.A Minimum Instruction Time : 0**

**Correct Marks : 5 Wrong Marks : 1**

**Question Key Details :**

| Key           | Value |
|---------------|-------|
| Comprehension | MCQ   |

Give name of one of the oldest Martial Arts in existence which is said to have originated in Kerala?

1. Ankavinoda
2. Sastrasrama
3. Mallakhamba
4. Kalaripayattu

**Options :**

485584137137. 1  
485584137138. 2  
485584137139. 3  
485584137140. 4

**Question Number : 280 Question Id : 48558434285 Question Type : MCQ Option Shuffling : No Is Question Mandatory : No Calculator : None Response Time : N.A Think Time : N.A Minimum Instruction Time : 0**

**Correct Marks : 5 Wrong Marks : 1**

**Question Key Details :**

| Key           | Value |
|---------------|-------|
| Comprehension | MCQ   |

কেৰালাত উৎপত্তি হোৱা বুলি কোৱা এবিধ অতিপুৰণি সমৰকলাৰ নাম হ'ল?

1. অংকবিনোদ (Ankavinoda)
2. সস্ত্ৰশ্ৰম (Sastrasrama)
3. মল্লখাম্বা (Mallakhamba)
4. কাল্লাৰিপ্পায়াট্টু (Kalaripayattu)

**Options :**

485584137137. 1  
485584137138. 2  
485584137139. 3  
485584137140. 4

**Question Number : 281 Question Id : 48558434286 Question Type : MCQ Option Shuffling : No Is Question Mandatory : No Calculator : None Response Time : N.A Think Time : N.A Minimum Instruction Time : 0**

**Correct Marks : 5 Wrong Marks : 1**

**Question Key Details :**

| Key           | Value |
|---------------|-------|
| Comprehension | MCQ   |

Chint was brought to Europe by which traders?

1. Italian and German traders
2. Portuguese and Dutch traders
3. Dutch and Italian Traders
4. German and Irish Traders

**Options :**

485584137141. 1  
485584137142. 2  
485584137143. 3  
485584137144. 4

**Question Number : 281 Question Id : 48558434286 Question Type : MCQ Option Shuffling : No Is Question Mandatory : No Calculator : None Response Time : N.A Think Time : N.A Minimum Instruction Time : 0**

**Correct Marks : 5 Wrong Marks : 1**

**Question Key Details :**

| Key           | Value |
|---------------|-------|
| Comprehension | MCQ   |

কোনসকল বণিকে চিন্ট (Chint) ক ইউৰোপলৈ কিনি আনিছিল?

1. ইটালিয়ান আৰু জাৰ্মাণ বণিকসকলে
2. পৰ্তুগীজ আৰু ডাচ বণিকসকলে
3. ডাচ আৰু ইটালিয়ান বণিকসকলে
4. জাৰ্মাণ আৰু আইৰিছ বণিকসকলে

**Options :**

485584137141. 1  
485584137142. 2  
485584137143. 3  
485584137144. 4

**Question Number : 282 Question Id : 48558434287 Question Type : MCQ Option Shuffling : No Is Question Mandatory : No Calculator : None Response Time : N.A Think Time : N.A Minimum Instruction Time : 0**

**Correct Marks : 5 Wrong Marks : 1**

**Question Key Details :**

| Key           | Value |
|---------------|-------|
| Comprehension | MCQ   |

Name the textile made from unbleached cotton?

1. Calico
2. Linen
3. Jute
4. Hemp

**Options :**

485584137145. 1  
485584137146. 2  
485584137147. 3  
485584137148. 4

**Question Number : 282 Question Id : 48558434287 Question Type : MCQ Option Shuffling : No Is Question Mandatory : No Calculator : None Response Time : N.A Think Time : N.A Minimum Instruction Time : 0**

**Correct Marks : 5 Wrong Marks : 1**

**Question Key Details :**

| Key           | Value |
|---------------|-------|
| Comprehension | MCQ   |

বিৰঞ্জন নকৰা কপাহেৰে প্ৰস্তুত বস্ত্ৰবিধ হ'ল?

1. কেলিক' (Calico)
2. লিনেন
3. মৰাপাট
4. শন (Hemp)

**Options :**

485584137145. 1  
485584137146. 2  
485584137147. 3  
485584137148. 4

**Question Number : 283 Question Id : 48558434288 Question Type : MCQ Option Shuffling : No Is Question Mandatory : No Calculator : None Response Time : N.A Think Time : N.A Minimum Instruction Time : 0**

**Correct Marks : 5 Wrong Marks : 1**

**Question Key Details :**

| Key           | Value |
|---------------|-------|
| Comprehension | MCQ   |

Arrange the technologies according to their origin time period:

- A. Art of paper making
- B. Pottery
- C. Rockets
- D. Fired Bricks

Choose the correct answer from the options given below:

- 1. A, B, C, D
- 2. D, C, A, B
- 3. D, B, A, C
- 4. B, C, A, D

**Options :**

- 485584137149. 1
- 485584137150. 2
- 485584137151. 3
- 485584137152. 4

**Question Number : 283 Question Id : 48558434288 Question Type : MCQ Option Shuffling : No Is Question Mandatory : No Calculator : None Response Time : N.A Think Time : N.A Minimum Instruction Time : 0**

**Correct Marks : 5 Wrong Marks : 1**

**Question Key Details :**

| Key           | Value |
|---------------|-------|
| Comprehension | MCQ   |

তলৰ প্ৰযুক্তিবোৰ উৎপত্তিৰ সময় অনুসৰি সজোৱা:

- A. কাগজ প্ৰস্তুতিৰ কলা
- B. মাটিৰ বাচন-বৰ্তন প্ৰস্তুতি (Pottery)
- C. খাৰ-বাজি (ৰকেট)
- D. জুইত পোৰা ইটা

তলৰ বিকল্পসমূহৰ পৰা শুদ্ধ উত্তৰটো বাছি উলিওৱা

- 1. A, B, C, D
- 2. D, C, A, B
- 3. D, B, A, C
- 4. B, C, A, D

**Options :**

- 485584137149. 1
- 485584137150. 2
- 485584137151. 3
- 485584137152. 4

Question Number : 284 Question Id : 48558434289 Question Type : MCQ Option Shuffling : No Is Question Mandatory : No Calculator : None Response Time : N.A Think Time : N.A Minimum Instruction Time : 0

Correct Marks : 5 Wrong Marks : 1

Question Key Details :

| Key           | Value |
|---------------|-------|
| Comprehension | MCQ   |

Which two countries together controlling nearly 60 per cent of the worlds GDP 2,000 year ago.

- A. India
- B. China
- C. Romans
- D. East Africa

Choose the correct answer from the options given below:

- 1. A and C only
- 2. B and D only
- 3. A and B only
- 4. C and D only

Options :

- 485584137153. 1
- 485584137154. 2
- 485584137155. 3
- 485584137156. 4

Question Number : 284 Question Id : 48558434289 Question Type : MCQ Option Shuffling : No Is Question Mandatory : No Calculator : None Response Time : N.A Think Time : N.A Minimum Instruction Time : 0

Correct Marks : 5 Wrong Marks : 1

Question Key Details :

| Key           | Value |
|---------------|-------|
| Comprehension | MCQ   |

তলৰ কোন দুখন দেশে 2,000 বছৰ পূৰ্বে বিশ্বৰ GDP (মুঠ ঘৰুৱা উৎপাদন)ৰ প্ৰায় 60 শতাংশ নিয়ন্ত্ৰণ কৰিছিল।

- A. ভাৰতবৰ্ষ
- B. চীন
- C. ৰোমান
- D. পূৱ-আফ্ৰিকা

তলৰ বিকল্পসমূহৰ পৰা শুদ্ধ উত্তৰটো বাছি উলিওৱা

- 1. কেৱল A আৰু C
- 2. কেৱল B আৰু D
- 3. কেৱল A আৰু B
- 4. কেৱল C আৰু D

**Options :**

485584137153. 1  
485584137154. 2  
485584137155. 3  
485584137156. 4

**Question Number : 285 Question Id : 48558434290 Question Type : MCQ Option Shuffling : No Is Question Mandatory : No Calculator : None Response Time : N.A Think Time : N.A Minimum Instruction Time : 0**

**Correct Marks : 5 Wrong Marks : 1**

**Question Key Details :**

| Key           | Value |
|---------------|-------|
| Comprehension | MCQ   |

In which century, Roman empire began the trade with India?

1. 3<sup>rd</sup> Century BCE
2. 4<sup>th</sup> Century BCE
3. 2<sup>nd</sup> Century BCE
4. 5<sup>th</sup> Century BCE

**Options :**

485584137157. 1  
485584137158. 2  
485584137159. 3  
485584137160. 4

**Question Number : 285 Question Id : 48558434290 Question Type : MCQ Option Shuffling : No Is Question Mandatory : No Calculator : None Response Time : N.A Think Time : N.A Minimum Instruction Time : 0**

**Correct Marks : 5 Wrong Marks : 1**

**Question Key Details :**

| Key           | Value |
|---------------|-------|
| Comprehension | MCQ   |

কোন শতিকাত ৰোমান শাসকসকলে ভাৰতৰ লগত বাণিজ্য কৰিছিল?

1. খ্ৰীষ্টপূৰ্ব 3<sup>য়</sup> শতিকাত
2. খ্ৰীষ্টপূৰ্ব 4<sup>ৰ্থ</sup> শতিকাত
3. খ্ৰীষ্টপূৰ্ব 2<sup>য়</sup> শতিকাত
4. খ্ৰীষ্টপূৰ্ব 5<sup>ম</sup> শতিকাত

**Options :**

485584137157. 1  
485584137158. 2  
485584137159. 3  
485584137160. 4

**Question Number : 286 Question Id : 48558434291 Question Type : MCQ Option Shuffling : No Is Question Mandatory : No Calculator : None Response Time : N.A Think Time : N.A Minimum Instruction Time : 0**

**Correct Marks : 5 Wrong Marks : 1**

**Question Key Details :**

| Key           | Value |
|---------------|-------|
| Comprehension | MCQ   |

Match List I with List II

| LIST I |               | LIST II |                 |
|--------|---------------|---------|-----------------|
| A.     | Chau          | I.      | Harvest time    |
| B.     | Bihu          | II.     | Polished Sticks |
| C.     | Dollu Kunitha | III.    | Mask            |
| D.     | Dandiya       | IV.     | drum dance      |

Choose the correct answer from the options given below:

1. A-III, B-I, C-IV, D-II
2. A-II, B-I, C-III, D-IV
3. A-IV, B-III, C-II, D-I
4. A-I, B-II, C-III, D-IV

**Options :**

- 485584137161. 1
- 485584137162. 2
- 485584137163. 3
- 485584137164. 4

**Question Number : 286 Question Id : 48558434291 Question Type : MCQ Option Shuffling : No Is Question Mandatory : No Calculator : None Response Time : N.A Think Time : N.A Minimum Instruction Time : 0**

**Correct Marks : 5 Wrong Marks : 1**

**Question Key Details :**

| Key           | Value |
|---------------|-------|
| Comprehension | MCQ   |



তালিকা I ৰ সৈতে তালিকা II মিলোৱা

| তালিকা I |                              | তালিকা II |                      |
|----------|------------------------------|-----------|----------------------|
| A.       | চৌ (Chau)                    | I.        | শস্য চপোৱাৰ সময়     |
| B.       | বিহু                         | II.       | মিহি চিকচিকিয়া কাঠি |
| C.       | দল্লু কুনিথা (Dollu Kunitha) | III.      | মুখা                 |
| D.       | দাণ্ডিয়া                    | IV.       | ঢোল নাচ              |

তলৰ বিকল্পসমূহৰ পৰা শুদ্ধ উত্তৰটো বাছি উলিওৱা

1. A-III, B-I, C-IV, D-II
2. A-II, B-I, C-III, D-IV
3. A-IV, B-III, C-II, D-I
4. A-I, B-II, C-III, D-IV

**Options :**

485584137161. 1  
485584137162. 2  
485584137163. 3  
485584137164. 4

**Question Number : 287 Question Id : 48558434292 Question Type : MCQ Option Shuffling : No Is Question Mandatory : No Calculator : None Response Time : N.A Think Time : N.A Minimum Instruction Time : 0**

**Correct Marks : 5 Wrong Marks : 1**

**Question Key Details :**

| Key           | Value |
|---------------|-------|
| Comprehension | MCQ   |

Silpasastra or Vastu Vidya the science of architecture was studied in ancient India within

- A. Ayurveda
- B. Dhanurved
- C. Jyotisa
- D. Rgveda

Choose the correct answer from the options given below:

1. B, D, C only
2. A, C, D only
3. A, D, B only
4. A, B, C only

**Options :**

485584137165. 1  
485584137166. 2  
485584137167. 3  
485584137168. 4

Question Number : 287 Question Id : 48558434292 Question Type : MCQ Option Shuffling : No Is Question Mandatory : No Calculator : None Response Time : N.A Think Time : N.A Minimum Instruction Time : 0

Correct Marks : 5 Wrong Marks : 1

Question Key Details :

| Key           | Value |
|---------------|-------|
| Comprehension | MCQ   |

শিল্পশাস্ত্ৰ বা বাস্তু বিদ্যা, স্থাপত্যবিদ্যাৰ বিজ্ঞান- এই বিষয়টো পৌৰাণিক ভাৰতবৰ্ষত \_\_\_\_\_ ত অধ্যয়ন কৰা হৈছিল।

- A. আৰ্যুবেদ
- B. ধনুৰ্বেদ
- C. জ্যোতিষ
- D. ঋগবেদ

তলৰ বিকল্পসমূহৰ পৰা শুদ্ধ উত্তৰটো বাছি উলিওৱা

- 1. কেৱল B, D, C
- 2. কেৱল A, C, D
- 3. কেৱল A, D, B
- 4. কেৱল A, B, C

Options :

- 485584137165. 1
- 485584137166. 2
- 485584137167. 3
- 485584137168. 4

Question Number : 288 Question Id : 48558434293 Question Type : MCQ Option Shuffling : No Is Question Mandatory : No Calculator : None Response Time : N.A Think Time : N.A Minimum Instruction Time : 0

Correct Marks : 5 Wrong Marks : 1

Question Key Details :

| Key           | Value |
|---------------|-------|
| Comprehension | MCQ   |

Match List I with List II

| LIST I |          | LIST II |                |
|--------|----------|---------|----------------|
| A.     | Kucipudi | I.      | Manipur        |
| B.     | Manipuri | II.     | Uttar Pradesh  |
| C.     | Odissi   | III.    | Andhra Pradesh |
| D.     | Kathak   | IV.     | Odisha         |

Choose the correct answer from the options given below:

1. A-III, B-I, C-IV, D-II
2. A-I, B-II, C-III, D-IV
3. A-III, B-II, C-I, D-IV
4. A-IV, B-III, C-II, D-I

**Options :**

485584137169. 1  
485584137170. 2  
485584137171. 3  
485584137172. 4

**Question Number : 288 Question Id : 48558434293 Question Type : MCQ Option Shuffling : No Is Question Mandatory : No Calculator : None Response Time : N.A Think Time : N.A Minimum Instruction Time : 0**

**Correct Marks : 5 Wrong Marks : 1**

**Question Key Details :**

| Key           | Value |
|---------------|-------|
| Comprehension | MCQ   |

তালিকা I ৰ সৈতে তালিকা II মিলোৱা

| তালিকা I |          | তালিকা II |               |
|----------|----------|-----------|---------------|
| A.       | কুচিপুডি | I.        | মনিপুৰ        |
| B.       | মনিপুৰী  | II.       | উত্তৰ প্ৰদেশ  |
| C.       | ওডিচি    | III.      | অন্ধ্ৰ প্ৰদেশ |
| D.       | কথক      | IV.       | উড়িষ্যা      |

তলৰ বিকল্পসমূহৰ পৰা শুদ্ধ উত্তৰটো বাছি উলিওৱা

1. A-III, B-I, C-IV, D-II
2. A-I, B-II, C-III, D-IV
3. A-III, B-II, C-I, D-IV
4. A-IV, B-III, C-II, D-I

**Options :**

485584137169. 1  
485584137170. 2  
485584137171. 3  
485584137172. 4

Question Number : 289 Question Id : 48558434294 Question Type : MCQ Option Shuffling : No Is Question Mandatory : No Calculator : None Response Time : N.A Think Time : N.A Minimum Instruction Time : 0

Correct Marks : 5 Wrong Marks : 1

Question Key Details :

| Key           | Value |
|---------------|-------|
| Comprehension | MCQ   |

Choose the correct order of Vedas as suggested below:

- A. Samveda
- B. Atharveda
- C. Rgveda
- D. Yajurveda

Choose the correct answer from the options given below:

- 1. A - B - C - D
- 2. C - D - A - B
- 3. B - C - A - D
- 4. D - C - A - B

Options :

- 485584137173. 1
- 485584137174. 2
- 485584137175. 3
- 485584137176. 4

Question Number : 289 Question Id : 48558434294 Question Type : MCQ Option Shuffling : No Is Question Mandatory : No Calculator : None Response Time : N.A Think Time : N.A Minimum Instruction Time : 0

Correct Marks : 5 Wrong Marks : 1

Question Key Details :

| Key           | Value |
|---------------|-------|
| Comprehension | MCQ   |

তলত দিয়াবোৰৰ পৰা বেদৰ শুদ্ধ ক্ৰমটো বাছি উলিওৱা

- A. সামবেদ
- B. অথৰ্ববেদ
- C. ঋগবেদ
- D. যজুৰবেদ

তলৰ বিকল্পসমূহৰ পৰা শুদ্ধ উত্তৰটো বাছি উলিওৱা

- 1. A - B - C - D
- 2. C - D - A - B
- 3. B - C - A - D
- 4. D - C - A - B

**Options :**

485584137173. 1  
485584137174. 2  
485584137175. 3  
485584137176. 4

**Question Number : 290 Question Id : 48558434295 Question Type : MCQ Option Shuffling : No Is Question Mandatory : No Calculator : None Response Time : N.A Think Time : N.A Minimum Instruction Time : 0**

**Correct Marks : 5 Wrong Marks : 1**

**Question Key Details :**

| Key           | Value |
|---------------|-------|
| Comprehension | MCQ   |

Which fort is known for not being on a hilltop?

1. Gwalior Fort
2. Mehrangarh Fort
3. Junagarh fort
4. Amber Fort

**Options :**

485584137177. 1  
485584137178. 2  
485584137179. 3  
485584137180. 4

**Question Number : 290 Question Id : 48558434295 Question Type : MCQ Option Shuffling : No Is Question Mandatory : No Calculator : None Response Time : N.A Think Time : N.A Minimum Instruction Time : 0**

**Correct Marks : 5 Wrong Marks : 1**

**Question Key Details :**

| Key           | Value |
|---------------|-------|
| Comprehension | MCQ   |

তলৰ কোনটো দুৰ্গ পৰ্বত শিখৰত নথকাৰ কাৰণে জনাজাত?

1. গোৱালিয়ৰ দুৰ্গ
2. মেহৰাংগড় দুৰ্গ
3. জুনাগড় দুৰ্গ
4. অম্বৰ দুৰ্গ

**Options :**

485584137177. 1  
485584137178. 2  
485584137179. 3  
485584137180. 4

**Sub-Section Number :**

2

**Sub-Section Id :**

4855842543

Question Shuffling Allowed :

No

Is Section Default? :

null

Question Number : 291 Question Id : 48558434296 Question Type : MCQ Option Shuffling : No Is Question Mandatory : No Calculator : None Response Time : N.A Think Time : N.A Minimum Instruction Time : 0

Correct Marks : 5 Wrong Marks : 1

Question Key Details :

| Key           | Value |
|---------------|-------|
| Comprehension | Comp1 |

Read the passage and answer the following questions given below:-

Kathakali is a classical dance form which originated in Kerala. Katha in Sanskrit means story and kali in Malayalam means play. So Kathakali is a play based on a story. Kathakali, like other classical dances of India, has its origins in Bharata Muni's Natyasastra. It is an art which has evolved from many social and religious theatrical art forms like Cakiarkottu, Kudiattam, Krsnattam, Ramattam which existed in the Southern region in ancient times. The main custodian of Kathakali is the famous poet Vallathol Narayana Menon who established Kerala Kalamandalam in 1930 for the preservation of this art form.

Kathakali, a stylised art form, is a blend of dance music and acting and dramatizes stories mostly adapted from the Indian epics. All the four aspects of abhinaya - angika, vacika, aharya, Sattrika and the three components of the dance - natya, nrta and nrtya are unified flawlessly in this form. As far as the costume of this dance form is concerned, it is elaborate and designed to heighten the effect of physical strength. The large overcoats, the flowing scarves, the bulging skirts, the antique ornaments, the strikingly opulent head dresses with streaming hair flowing down to the waist and covering the back all create enlarged figures well befitting the sculptured facial features and produce tremendously impressive impersonations. If the characters are Sattvika (a righteous character or hero), the basic make up is pacca (green); if the characters are rajsika (a character with particular vices or anti hero) the basic make up is cutti (white); and if the characters are tamsika (an evil character or villain), the basic green make up is broken up by red patches. Also, on the basic green make up, an oral red and white design is made on the nose and on the upper nose.

Classical Dance form Kathakali originated in which state of India?

1. Karnataka
2. Tamil Nadu
3. Andhra Pradesh
4. Kerala

Options :

485584137181. 1

485584137182. 2

485584137183. 3

485584137184. 4

Question Number : 291 Question Id : 48558434296 Question Type : MCQ Option Shuffling : No Is Question Mandatory : No Calculator : None Response Time : N.A Think Time : N.A Minimum Instruction Time : 0

Correct Marks : 5 Wrong Marks : 1

Question Key Details :

| Key           | Value |
|---------------|-------|
| Comprehension | Comp1 |

তলৰ পাঠ্যাংশটো পঢ়া আৰু প্ৰশ্নবোৰৰ উত্তৰ দিয়া:

কথাকলি হ'ল উড়িয়াত উৎপত্তি হোৱা এক শাস্ত্ৰীয় নৃত্য। সংস্কৃতত 'কথা' মানে হ'ল কাহিনী আৰু 'কলি' মানে নাটক প্ৰদৰ্শন। গতিকে কথাকলি হ'ল এটা কাহিনীৰ ওপৰত ভিত্তি কৰি কৰা নাট প্ৰদৰ্শন। ভাৰতৰ আন শাস্ত্ৰীয় নৃত্যৰ দৰে কথাকলিও ভাৰতমুনিৰ নাট্য শাস্ত্ৰৰ পৰাই উৎপত্তি হৈছে। এই কলাবিধ ভাৰতৰ দক্ষিণাট্যৰ বিভিন্ন সামাজিক আৰু ধৰ্মীয় নাট্য ৰূপ যেনে কাকিয়াৰকটু, কুড়িয়াওম, কৃষ্ণাওম, ৰামওম আদিৰ পৰা উদ্ভূত হৈছিল। কথাকলিৰ প্ৰধান সংৰক্ষকজন হ'ল বিখ্যাত কবি বালথ'ল নাৰায়ণ মেনন। তেওঁ 1930 চনত এই কলাবিধ সংৰক্ষণৰ বাবে কেৰালা কলামণ্ডলম প্ৰতিষ্ঠা কৰিছিল।

কথাকলি হ'ল, ভাৰতীয় মহাকাব্যসমূহৰ পৰা লোৱা কাহিনীৰ নৃত্য, সংগীত, অভিনয় আৰু নাটকীয় প্ৰদৰ্শনৰ এক সংমিশ্ৰিত কলাশৈলীকৃত ৰূপ। নাটকৰ চাৰিওটা দিশ- আংগিক, বচিক, আহাৰ্য, সাত্ৰিক আৰু নাচৰ তিনিওটা উপাদান—নাট্য, নৰ্ত আৰু নৃত্যক এই কলাবিধক ত্ৰুটিবিহীনভাৱে একত্ৰীকৰণ কৰা হৈছে। এই নৃত্যৰ সাজপোছাক লক্ষ্য কৰিলে দেখা যায় যে ই সম্প্ৰসাৰিত আৰু শাৰিৰীক শক্তি বৃদ্ধিৰ লক্ষ্যেৰে সাজৰ নক্সা প্ৰস্তুত কৰা হৈছে। ডাঙৰ চোলা, দীঘল দুপট্টা, জিলিকি থকা স্কাৰ্ট, ধাতুৰ আ-অলংকাৰ, আকৰ্ষণীয় মূৰত পিন্ধা মুকুট, মূৰৰ পৰা পিঠিখন আৱৰি ককালপৰ্যন্ত আৱৰি থকা চুলিয়ে এক বিশাল অৱয়বৰ সৃষ্টিকাৰ যি উপযুক্ত মুখায়বৰ সৃষ্টিকাৰ আৰু এক অধিক আকৰ্ষণীয় মূৰ্তৰূপ প্ৰকাশ কৰে। যদি চৰিত্ৰটো সাত্ৰিক (নায়কজাতীয় চৰিত্ৰ) হয়, মূল প্ৰসাধন হ'ব পাক্কা (সেউজীয়া), যদি চৰিত্ৰটো ৰাজসিক (কলংকমূলক চৰিত্ৰ) হয় মূল প্ৰসাধন হ'ব কুড়ি (বগা), আৰু চৰিত্ৰটো তামসিক (খলনায়কজাতীয় চৰিত্ৰ) হয় তেন্তে মূল সেউজীয়া প্ৰসাধনৰ ওপৰত, মুখত ৰঙা আৰু নাক তথা নাকৰ ওপৰ অংশত বগা ৰঙৰ নক্সা অকা হয়।

কথাকলি শাস্ত্ৰীয় নৃত্যটো ভাৰতৰ কোন ৰাজ্যত উৎপত্তি হৈছিল?

1. কৰ্ণাটক
2. তামিল নাডু
3. অন্ধ্ৰ প্ৰদেশ
4. কেৰালা

**Options :**

485584137181. 1  
485584137182. 2  
485584137183. 3  
485584137184. 4

**Question Number : 292 Question Id : 48558434297 Question Type : MCQ Option Shuffling : No Is Question Mandatory : No Calculator : None Response Time : N.A Think Time : N.A Minimum Instruction Time : 0**

**Correct Marks : 5 Wrong Marks : 1**

**Question Key Details :**

| Key           | Value |
|---------------|-------|
| Comprehension | Comp1 |

Read the passage and answer the following questions given below:-

Kathakali is a classical dance form which originated in Kerala. Katha in Sanskrit means story and kali in Malayalam means play. So Kathakali is a play based on a story. Kathakali, like other classical dances of India, has its origins in Bharata Muni's Natyasastra. It is an art which has evolved from many social and religious theatrical art forms like Cakiarkottu, Kudiattam, Krsnattam, Ramattam which existed in the Southern region in ancient times. The main custodian of Kathakali is the famous poet Vallathol Narayana Menon who established Kerala Kalamandalam in 1930 for the preservation of this art form.

Kathakali, a stylised art form, is a blend of dance music and acting and dramatizes stories mostly adapted from the Indian epics. All the four aspects of abhinaya - angika, vacika, aharya, Sattrika and the three components of the dance - natya, nrnta and nrtya are unified flawlessly in this form, As far as the costume of this dance form is concerned, it is elaborate and designed to heighten the effect of physical strength. The large overcoats, the flowing scarves, the bulging skirts, the antique ornaments, the strikingly opulent head dresses with streaming hair flowing down to the waist and covering the back all create enlarged figures well befitting the sculptured facial features and produce tremendously impressive impersonations. If the characters are Sattvika (a righteous character or hero), the basic make up is pacca (green); if the characters are rajsika (a character with particular vices or anti hero) the basic make up is cutti (white); and if the characters are tamsika (an evil character or villain), the basic green make up is broken up by red patches. Also, on the basic green make up, an oral red and white design is made on the nose and on the upper nose.

Name the main custodian of Kathakali who established Kerala Kalamandalam in 1930 for the preservation of this art form?

1. Vedantam Lakshmi Narayana
2. Cinta Krsnamurthy
3. Vallathol Narayana Menon
4. Rukmini Devi

**Options :**

485584137185. 1  
485584137186. 2  
485584137187. 3  
485584137188. 4

**Question Number : 292 Question Id : 48558434297 Question Type : MCQ Option Shuffling : No Is Question Mandatory : No Calculator : None Response Time : N.A Think Time : N.A Minimum Instruction Time : 0**

**Correct Marks : 5 Wrong Marks : 1**

**Question Key Details :**

| Key           | Value |
|---------------|-------|
| Comprehension | Comp1 |



তলৰ পাঠ্যাংশটো পঢ়া আৰু প্ৰশ্নবোৰৰ উত্তৰ দিয়া:

কথাকলি হ'ল উড়িয়াত উৎপত্তি হোৱা এক শাস্ত্ৰীয় নৃত্য। সংস্কৃতত 'কথা' মানে হ'ল কাহিনী আৰু 'কলি' মানে নাটক প্ৰদৰ্শন। গতিকে কথাকলি হ'ল এটা কাহিনীৰ ওপৰত ভিত্তি কৰি কৰা নাট প্ৰদৰ্শন। ভাৰতৰ আন শাস্ত্ৰীয় নৃত্যৰ দৰে কথাকলিও ভাৰতমুনিৰ নাট্য শাস্ত্ৰৰ পৰাই উৎপত্তি হৈছে। এই কলাবিধ ভাৰতৰ দক্ষিণাট্যৰ বিভিন্ন সামাজিক আৰু ধৰ্মীয় নাট্য ৰূপ যেনে কাকিয়াৰকটু, কুডিয়াতম, কৃষ্ণাতম, ৰামতম আদিৰ পৰা উদ্ভূত হৈছিল। কথাকলিৰ প্ৰধান সংৰক্ষকজন হ'ল বিখ্যাত কবি বালথ'ল নাৰায়ণ মেনন। তেওঁ 1930 চনত এই কলাবিধ সংৰক্ষণৰ বাবে কেৰালা কলামণ্ডলম প্ৰতিষ্ঠা কৰিছিল।

কথাকলি হ'ল, ভাৰতীয় মহাকাব্যসমূহৰ পৰা লোৱা কাহিনীৰ নৃত্য, সংগীত, অভিনয় আৰু নাটকীয় প্ৰদৰ্শনৰ এক সংমিশ্ৰিত কলাশৈলীকৃত ৰূপ। নাটকৰ চাৰিওটা দিশ- আংগিক, বচিক, আহাৰ্য, সাগ্ৰিক আৰু নাচৰ তিনিওটা উপাদান—নাট্য, নৰ্ত আৰু নৃত্যক এই কলাবিধক ত্ৰুটিবিহীনভাৱে একত্ৰীকৰণ কৰা হৈছে। এই নৃত্যৰ সাজপোছাক লক্ষ্য কৰিলে দেখা যায় যে ই সম্প্ৰসাৰিত আৰু শাৰিৰীক শক্তি বৃদ্ধিৰ লক্ষ্যেৰে সাজৰ নক্সা প্ৰস্তুত কৰা হৈছে। ডাঙৰ চোলা, দীঘল দুপট্টা, জিলিকি থকা স্কাৰ্ট, ধাতুৰ আ-অলংকাৰ, আকৰ্ষণীয় মূৰত পিন্ধা মুকুট, মূৰৰ পৰা পিঠিখন আৱৰি ককালপৰ্যন্ত আৱৰি থকা চুলিয়ে এক বিশাল অৱয়বৰ সৃষ্টিকাৰ যি উপযুক্ত মুখায়বৰ সৃষ্টিকাৰ আৰু এক অধিক আকৰ্ষণীয় মূৰ্তৰূপ প্ৰকাশ কৰে। যদি চৰিত্ৰটো সাহ্বিক (নায়কজাতীয় চৰিত্ৰ) হয়, মূল প্ৰসাধন হ'ব পাক্সা (সেউজীয়া), যদি চৰিত্ৰটো ৰাজসিক (কলংকমূলক চৰিত্ৰ) হয় মূল প্ৰসাধন হ'ব কুডি (বগা), আৰু চৰিত্ৰটো তামসিক (খলনায়কজাতীয় চৰিত্ৰ) হয় তেন্তে মূল সেউজীয়া প্ৰসাধনৰ ওপৰত, মুখত ৰঙা আৰু নাক তথা নাকৰ ওপৰ অংশত বগা ৰঙৰ নক্সা অকা হয়।

কথাকলিৰ প্ৰধান সংৰক্ষকসকলৰ নাম হ'ল যিজনে 1930 চনত কথাকলি সংৰক্ষণৰ বাবে কেৰালা কলামণ্ডলম প্ৰতিষ্ঠা কৰিছিল?

1. বেদান্টম লক্ষ্মী নাৰায়ণ
2. চিন্তা কৃষ্ণমূৰ্তী
3. বাল্লাথল নাৰায়ণ মেনন
4. ৰুক্মিণী দেৱী

**Options :**

485584137185. 1  
485584137186. 2  
485584137187. 3  
485584137188. 4

**Question Number : 293 Question Id : 48558434298 Question Type : MCQ Option Shuffling : No Is Question Mandatory : No Calculator : None Response Time : N.A Think Time : N.A Minimum Instruction Time : 0**

**Correct Marks : 5 Wrong Marks : 1**

**Question Key Details :**

| Key           | Value |
|---------------|-------|
| Comprehension | Comp1 |

Read the passage and answer the following questions given below:-

Kathakali is a classical dance form which originated in Kerala. Katha in Sanskrit means story and kali in Malayalam means play. So Kathakali is a play based on a story. Kathakali, like other classical dances of India, has its origins in Bharata Muni's Natyasastra. It is an art which has evolved from many social and religious theatrical art forms like Cakiarkottu, Kudiattam, Krsnattam, Ramattam which existed in the Southern region in ancient times. The main custodian of Kathakali is the famous poet Vallathol Narayana Menon who established Kerala Kalamandalam in 1930 for the preservation of this art form.

Kathakali, a stylised art form, is a blend of dance music and acting and dramatizes stories mostly adapted from the Indian epics. All the four aspects of abhinaya - angika, vacika, aharya, Sattrika and the three components of the dance - natya, nrta and nrtya are unified flawlessly in this form, As far as the costume of this dance form is concerned, it is elaborate and designed to heighten the effect of physical strength. The large overcoats, the flowing scarves, the bulging skirts, the antique ornaments, the strikingly opulent head dresses with streaming hair flowing down to the waist and covering the back all create enlarged figures well befitting the sculptured facial features and produce tremendously impressive impersonations. If the characters are Sattvika (a righteous character or hero), the basic make up is pacca (green); if the characters are rajsika (a character with particular vices or anti hero) the basic make up is cutti (white); and if the characters are tamsika (an evil character or villain), the basic green make up is broken up by red patches. Also, on the basic green make up, an oral red and white design is made on the nose and on the upper nose.

How many aspects of Abhinaya?

1. 2
2. 3
3. 4
4. 5

**Options :**

485584137189. 1

485584137190. 2

485584137191. 3

485584137192. 4

**Question Number : 293 Question Id : 48558434298 Question Type : MCQ Option Shuffling : No Is Question Mandatory : No Calculator : None Response Time : N.A Think Time : N.A Minimum Instruction Time : 0**

**Correct Marks : 5 Wrong Marks : 1**

**Question Key Details :**

| Key           | Value |
|---------------|-------|
| Comprehension | Comp1 |

তলৰ পাঠ্যাংশটো পঢ়া আৰু প্ৰশ্নবোৰৰ উত্তৰ দিয়া:

কথাকলি হ'ল উড়িয়াত উৎপত্তি হোৱা এক শাস্ত্ৰীয় নৃত্য। সংস্কৃতত 'কথা' মানে হ'ল কাহিনী আৰু 'কলি' মানে নাটক প্ৰদৰ্শন। গতিকে কথাকলি হ'ল এটা কাহিনীৰ ওপৰত ভিত্তি কৰি কৰা নাট প্ৰদৰ্শন। ভাৰতৰ আন শাস্ত্ৰীয় নৃত্যৰ দৰে কথাকলিও ভাৰতমুনিৰ নাট্য শাস্ত্ৰৰ পৰাই উৎপত্তি হৈছে। এই কলাবিধ ভাৰতৰ দক্ষিণাট্যৰ বিভিন্ন সামাজিক আৰু ধৰ্মীয় নাট্য ৰূপ যেনে কাকিয়াৰকটু, কুডিয়াতম, কৃষ্ণাতম, ৰামতম আদিৰ পৰা উদ্ভূত হৈছিল। কথাকলিৰ প্ৰধান সংৰক্ষকজন হ'ল বিখ্যাত কবি বালথ'ল নাৰায়ণ মেনন। তেওঁ 1930 চনত এই কলাবিধ সংৰক্ষণৰ বাবে কেৰালা কলামণ্ডলম প্ৰতিষ্ঠা কৰিছিল।

কথাকলি হ'ল, ভাৰতীয় মহাকাব্যসমূহৰ পৰা লোৱা কাহিনীৰ নৃত্য, সংগীত, অভিনয় আৰু নাটকীয় প্ৰদৰ্শনৰ এক সংমিশ্ৰিত কলাশৈলীকৃত ৰূপ। নাটকৰ চাৰিওটা দিশ- আংগিক, বচিক, আহাৰ্য, সাত্ৰিক আৰু নাচৰ তিনিওটা উপাদান—নাট্য, নৰ্ত আৰু নৃত্যক এই কলাবিধক ত্ৰুটিবিহীনভাৱে একত্ৰীকৰণ কৰা হৈছে। এই নৃত্যৰ সাজপোছাক লক্ষ্য কৰিলে দেখা যায় যে ই সম্প্ৰসাৰিত আৰু শাৰিৰীক শক্তি বৃদ্ধিৰ লক্ষ্যেৰে সাজৰ নক্ষা প্ৰস্তুত কৰা হৈছে। ডাঙৰ চোলা, দীঘল দুপট্টা, জিলিকি থকা স্কাৰ্ট, ধাতুৰ আ-অলংকাৰ, আকৰ্ষণীয় মূৰত পিন্ধা মুকুট, মূৰৰ পৰা পিঠিখন আৱৰি ককালপৰ্যন্ত আৱৰি থকা চুলিয়ে এক বিশাল অৱয়বৰ সৃষ্টিকাৰ যি উপযুক্ত মুখায়বৰ সৃষ্টিকাৰ আৰু এক অধিক আকৰ্ষণীয় মূৰ্তৰূপ প্ৰকাশ কৰে। যদি চৰিত্ৰটো সাত্ৰিক (নায়কজাতীয় চৰিত্ৰ) হয়, মূল প্ৰসাধন হ'ব পাক্কা (সেউজীয়া), যদি চৰিত্ৰটো ৰাজসিক (কলংকমূলক চৰিত্ৰ) হয় মূল প্ৰসাধন হ'ব কুড়ি (বগা), আৰু চৰিত্ৰটো তামসিক (খলনায়কজাতীয় চৰিত্ৰ) হয় তেন্তে মূল সেউজীয়া প্ৰসাধনৰ ওপৰত, মুখত ৰঙা আৰু নাক তথা নাকৰ ওপৰ অংশত বগা ৰঙৰ নক্ষা অকা হয়।

অভিনয়ৰ দিশ কেইটা?

1. 2
2. 3
3. 4
4. 5

**Options :**

485584137189. 1  
485584137190. 2  
485584137191. 3  
485584137192. 4

**Question Number : 294 Question Id : 48558434299 Question Type : MCQ Option Shuffling : No Is Question Mandatory : No Calculator : None Response Time : N.A Think Time : N.A Minimum Instruction Time : 0**

**Correct Marks : 5 Wrong Marks : 1**

**Question Key Details :**

| Key           | Value |
|---------------|-------|
| Comprehension | Comp1 |

Read the passage and answer the following questions given below:-

Kathakali is a classical dance form which originated in Kerala. Katha in Sanskrit means story and kali in Malayalam means play. So Kathakali is a play based on a story. Kathakali, like other classical dances of India, has its origins in Bharata Muni's Natyasastra. It is an art which has evolved from many social and religious theatrical art forms like Cakiarkottu, Kudiattam, Krsnattam, Ramattam which existed in the Southern region in ancient times. The main custodian of Kathakali is the famous poet Vallathol Narayana Menon who established Kerala Kalamandalam in 1930 for the preservation of this art form.

Kathakali, a stylised art form, is a blend of dance music and acting and dramatizes stories mostly adapted from the Indian epics. All the four aspects of abhinaya - angika, vacika, aharya, Sattrika and the three components of the dance - natya, nrta and nrtya are unified flawlessly in this form, As far as the costume of this dance form is concerned, it is elaborate and designed to heighten the effect of physical strength. The large overcoats, the flowing scarves, the bulging skirts, the antique ornaments, the strikingly opulent head dresses with streaming hair flowing down to the waist and covering the back all create enlarged figures well befitting the sculptured facial features and produce tremendously impressive impersonations. If the characters are Sattvika (a righteous character or hero), the basic make up is pacca (green); if the characters are rajsika (a character with particular vices or anti hero) the basic make up is cutti (white); and if the characters are tamsika (an evil character or villain), the basic green make up is broken up by red patches. Also, on the basic green make up, an oral red and white design is made on the nose and on the upper nose.

Which of the following is not the component of dance?

1. natya
2. vacika
3. nrta
4. nrtya

**Options :**

485584137193. 1  
485584137194. 2  
485584137195. 3  
485584137196. 4

**Question Number : 294 Question Id : 48558434299 Question Type : MCQ Option Shuffling : No Is Question Mandatory : No Calculator : None Response Time : N.A Think Time : N.A Minimum Instruction Time : 0**

**Correct Marks : 5 Wrong Marks : 1**

**Question Key Details :**

| Key           | Value |
|---------------|-------|
| Comprehension | Comp1 |

তলৰ পাঠ্যাংশটো পঢ়া আৰু প্ৰশ্নবোৰৰ উত্তৰ দিয়া:

কথাকলি হ'ল উড়িয়াত উৎপত্তি হোৱা এক শাস্ত্ৰীয় নৃত্য। সংস্কৃতত 'কথা' মানে হ'ল কাহিনী আৰু 'কলি' মানে নাটক প্ৰদৰ্শন। গতিকে কথাকলি হ'ল এটা কাহিনীৰ ওপৰত ভিত্তি কৰি কৰা নাট প্ৰদৰ্শন। ভাৰতৰ আন শাস্ত্ৰীয় নৃত্যৰ দৰে কথাকলিও ভাৰতমুনিৰ নাট্য শাস্ত্ৰৰ পৰাই উৎপত্তি হৈছে। এই কলাবিধ ভাৰতৰ দক্ষিণাট্যৰ বিভিন্ন সামাজিক আৰু ধৰ্মীয় নাট্য ৰূপ যেনে কাকিয়াৰকটু, কুড়িয়াওম, কৃষ্ণাওম, ৰামওম আদিৰ পৰা উদ্ভূত হৈছিল। কথাকলিৰ প্ৰধান সংৰক্ষকজন হ'ল বিখ্যাত কবি বালথ'ল নাৰায়ণ মেনন। তেওঁ 1930 চনত এই কলাবিধ সংৰক্ষণৰ বাবে কেৰালা কলামণ্ডলম প্ৰতিষ্ঠা কৰিছিল।

কথাকলি হ'ল, ভাৰতীয় মহাকাব্যসমূহৰ পৰা লোৱা কাহিনীৰ নৃত্য, সংগীত, অভিনয় আৰু নাটকীয় প্ৰদৰ্শনৰ এক সংমিশ্ৰিত কলাশৈলীকৃত ৰূপ। নাটকৰ চাৰিওটা দিশ- আংগিক, বচিক, আহাৰ্য, সাত্ৰিক আৰু নাচৰ তিনিওটা উপাদান—নাট্য, নৰ্ত আৰু নৃত্যক এই কলাবিধক ত্ৰুটিবিহীনভাৱে একত্ৰীকৰণ কৰা হৈছে। এই নৃত্যৰ সাজপোছাক লক্ষ্য কৰিলে দেখা যায় যে ই সম্প্ৰসাৰিত আৰু শাৰিৰীক শক্তি বৃদ্ধিৰ লক্ষ্যেৰে সাজৰ নক্ষা প্ৰস্তুত কৰা হৈছে। ডাঙৰ চোলা, দীঘল দুপট্টা, জিলিকি থকা স্কাৰ্ট, ধাতুৰ আ-অলংকাৰ, আকৰ্ষণীয় মূৰত পিন্ধা মুকুট, মূৰৰ পৰা পিঠিখন আৱৰি ককালপৰ্যন্ত আৱৰি থকা চুলিয়ে এক বিশাল অৱয়বৰ সৃষ্টিকাৰ যি উপযুক্ত মুখায়বৰ সৃষ্টিকাৰ আৰু এক অধিক আকৰ্ষণীয় মূৰ্তৰূপ প্ৰকাশ কৰে। যদি চৰিত্ৰটো সাত্ৰিক (নায়কজাতীয় চৰিত্ৰ) হয়, মূল প্ৰসাধন হ'ব পাক্কা (সেউজীয়া), যদি চৰিত্ৰটো ৰাজসিক (কলংকমূলক চৰিত্ৰ) হয় মূল প্ৰসাধন হ'ব কুড়ি (বগা), আৰু চৰিত্ৰটো তামসিক (খলনায়কজাতীয় চৰিত্ৰ) হয় তেন্তে মূল সেউজীয়া প্ৰসাধনৰ ওপৰত, মুখত ৰঙা আৰু নাক তথা নাকৰ ওপৰ অংশত বগা ৰঙৰ নক্ষা অকা হয়।

তলৰ কোনটো নাচৰ উপাদান নহয়?

1. নাট্য
2. বচিক
3. নৰ্ত
4. নৃত্য

**Options :**

485584137193. 1  
485584137194. 2  
485584137195. 3  
485584137196. 4

**Question Number : 295 Question Id : 48558434300 Question Type : MCQ Option Shuffling : No Is Question Mandatory : No Calculator : None Response Time : N.A Think Time : N.A Minimum Instruction Time : 0**

**Correct Marks : 5 Wrong Marks : 1**

**Question Key Details :**

| Key           | Value |
|---------------|-------|
| Comprehension | Comp1 |

Read the passage and answer the following questions given below:-

Kathakali is a classical dance form which originated in Kerala. Katha in Sanskrit means story and kali in Malayalam means play. So Kathakali is a play based on a story. Kathakali, like other classical dances of India, has its origins in Bharata Muni's Natyasastra. It is an art which has evolved from many social and religious theatrical art forms like Cakiarkottu, Kudiattam, Krsnattam, Ramattam which existed in the Southern region in ancient times. The main custodian of Kathakali is the famous poet Vallathol Narayana Menon who established Kerala Kalamandalam in 1930 for the preservation of this art form.

Kathakali, a stylised art form, is a blend of dance music and acting and dramatizes stories mostly adapted from the Indian epics. All the four aspects of abhinaya - angika, vacika, aharya, Sattrika and the three components of the dance - natya, nrta and nrtya are unified flawlessly in this form, As far as the costume of this dance form is concerned, it is elaborate and designed to heighten the effect of physical strength. The large overcoats, the flowing scarves, the bulging skirts, the antique ornaments, the strikingly opulent head dresses with streaming hair flowing down to the waist and covering the back all create enlarged figures well befitting the sculptured facial features and produce tremendously impressive impersonations. If the characters are Sattvika (a righteous character or hero), the basic make up is pacca (green); if the characters are rajsika (a character with particular vices or anti hero) the basic make up is cutti (white); and if the characters are tamsika (an evil character or villain), the basic green make up is broken up by red patches. Also, on the basic green make up, an oral red and white design is made on the nose and on the upper nose.

In Kathakali dance form, Basic make up colour changes according to character. If the characters are rajsika, what will be the basic colour makeup

1. Green
2. White
3. Green with red patches
4. White with red patches

**Options :**

485584137197. 1

485584137198. 2

485584137199. 3

485584137200. 4

**Question Number : 295 Question Id : 48558434300 Question Type : MCQ Option Shuffling : No Is Question Mandatory : No Calculator : None Response Time : N.A Think Time : N.A Minimum Instruction Time : 0**

**Correct Marks : 5 Wrong Marks : 1**

**Question Key Details :**

| Key           | Value |
|---------------|-------|
| Comprehension | Comp1 |

তলৰ পাঠ্যাংশটো পঢ়া আৰু প্ৰশ্নবোৰৰ উত্তৰ দিয়া:

কথাকলি হ'ল উড়িয়াত উৎপত্তি হোৱা এক শাস্ত্ৰীয় নৃত্য। সংস্কৃতত 'কথা' মানে হ'ল কাহিনী আৰু 'কলি' মানে নাটক প্ৰদৰ্শন। গতিকে কথাকলি হ'ল এটা কাহিনীৰ ওপৰত ভিত্তি কৰি কৰা নাট প্ৰদৰ্শন। ভাৰতৰ আন শাস্ত্ৰীয় নৃত্যৰ দৰে কথাকলিও ভাৰতমুনিৰ নাট্য শাস্ত্ৰৰ পৰাই উৎপত্তি হৈছে। এই কলাবিধ ভাৰতৰ দক্ষিণাট্যৰ বিভিন্ন সামাজিক আৰু ধৰ্মীয় নাট্য ৰূপ যেনে কাকিয়াৰকটু, কুডিয়াতম, কৃষ্ণাতম, ৰামতম আদিৰ পৰা উদ্ভূত হৈছিল। কথাকলিৰ প্ৰধান সংৰক্ষকজন হ'ল বিখ্যাত কবি বালথ'ল নাৰায়ণ মেনন। তেওঁ 1930 চনত এই কলাবিধ সংৰক্ষণৰ বাবে কেৰালা কলামণ্ডলম প্ৰতিষ্ঠা কৰিছিল।

কথাকলি হ'ল, ভাৰতীয় মহাকাব্যসমূহৰ পৰা লোৱা কাহিনীৰ নৃত্য, সংগীত, অভিনয় আৰু নাটকীয় প্ৰদৰ্শনৰ এক সংমিশ্ৰিত কলাশৈলীকৃত ৰূপ। নাটকৰ চাৰিওটা দিশ- আংগিক, বচিক, আহাৰ্য, সাগ্ৰিক আৰু নাচৰ তিনিওটা উপাদান—নাট্য, নৰ্ত আৰু নৃত্যক এই কলাবিধক ত্ৰুটিবিহীনভাৱে একত্ৰীকৰণ কৰা হৈছে। এই নৃত্যৰ সাজপোছাক লক্ষ্য কৰিলে দেখা যায় যে ই সম্প্ৰসাৰিত আৰু শাৰিৰীক শক্তি বৃদ্ধিৰ লক্ষ্যেৰে সাজৰ নক্ষা প্ৰস্তুত কৰা হৈছে। ডাঙৰ চোলা, দীঘল দুপট্টা, জিলিকি থকা স্কাৰ্ট, ধাতুৰ আ-অলংকাৰ, আকৰ্ষণীয় মূৰত পিন্ধা মুকুট, মূৰৰ পৰা পিঠিখন আৱৰি ককালপৰ্যন্ত আৱৰি থকা চুলিয়ে এক বিশাল অৱয়বৰ সৃষ্টিকাৰ যি উপযুক্ত মুখায়বৰ সৃষ্টিকাৰ আৰু এক অধিক আকৰ্ষণীয় মূৰ্তৰূপ প্ৰকাশ কৰে। যদি চৰিত্ৰটো সাহ্বিক (নায়কজাতীয় চৰিত্ৰ) হয়, মূল প্ৰসাধন হ'ব পাক্কা (সেউজীয়া), যদি চৰিত্ৰটো ৰাজসিক (কলংকমূলক চৰিত্ৰ) হয় মূল প্ৰসাধন হ'ব কুটি (বগা), আৰু চৰিত্ৰটো তামসিক (খলনায়কজাতীয় চৰিত্ৰ) হয় তেন্তে মূল সেউজীয়া প্ৰসাধনৰ ওপৰত, মুখত ৰঙা আৰু নাক তথা নাকৰ ওপৰ অংশত বগা ৰঙৰ নক্ষা অকা হয়।

কথাকলি নৃত্যত চৰিত্ৰ অনুসৰি মূল প্ৰসাধন সলনি হয়। যদি চৰিত্ৰ ৰাজসিক ধৰণৰ ধৰণৰ হয়, তেন্তে প্ৰসাধনৰ মূল ৰং হ'ব

1. সেউজীয়া
2. বগা
3. ৰঙাপটিযুক্ত সেউজীয়া
4. ৰঙা পটিযুক্ত বগা

**Options :**

485584137197. 1  
485584137198. 2  
485584137199. 3  
485584137200. 4

**Sub-Section Number :**

3

**Sub-Section Id :**

4855842544

**Question Shuffling Allowed :**

No

**Is Section Default? :**

null

**Question Number : 296 Question Id : 48558434301 Question Type : MCQ Option Shuffling : No Is Question Mandatory : No Calculator : None Response Time : N.A Think Time : N.A Minimum Instruction Time : 0**

**Correct Marks : 5 Wrong Marks : 1**

**Question Key Details :**

| Key           | Value |
|---------------|-------|
| Comprehension | Comp2 |



Read the following passage and answer the questions given below:

The moral code of the people is an indicator of their social and spiritual ways of life. The true essence of human life is to live amidst worldly joy and sorrows, Ethics is primarily concerned with the moral issues of the world. True religion lays stress on moral virtues. People are required to discharge their duties according to the moral code of ethics. A true knowledge of ethics would be attained if one practices and imbibes these moral values. Ethics is of two kinds individuals and social. Individual ethics is indicative of the good qualities that are essential for individual well-being of the good qualities that are essential for individual well-being and happiness. Social ethics represents the values that are needed for social order and harmony.

In the knowledge tradition of India ethics has its origin in its religious and philosophical thinking. From time immemorial, various religious faiths have flourished here. Every religious and every philosophical system of India has a prominent ethical component. Ethics is the core of all these systems. In every religious tradition, good moral conduct is considered essential for a happy and contented life.

Choose from the following that is not the purpose of the moral code of ethics.

1. To perform duties in the society
2. To live a balanced life between joy and sorrow
3. To live a peaceful life
4. To keep a strict discipline

**Options :**

- 485584137201. 1
- 485584137202. 2
- 485584137203. 3
- 485584137204. 4

**Question Number : 296 Question Id : 48558434301 Question Type : MCQ Option Shuffling : No Is Question Mandatory : No Calculator : None Response Time : N.A Think Time : N.A Minimum Instruction Time : 0**

**Correct Marks : 5 Wrong Marks : 1**

**Question Key Details :**

| Key           | Value |
|---------------|-------|
| Comprehension | Comp2 |



ব্যক্তিৰ নৈতিক চৰিত্ৰই তেওঁলোকৰ সামাজিক, আধ্যাত্মিক জীৱনশৈলীৰ পৰিচায়ক। মানৱ জীৱনৰ প্ৰকৃত সাৰমৰ্ম হ'ল লৌকিক দুখ আৰু আনন্দৰ মাজত জীয়াই থকা। সত্যনিষ্ঠা মূলতঃ জগতৰ নৈতিক বিষয়বোৰক লগত জড়িত। প্ৰকৃত ধৰ্মই নৈতিক গুণসমূহৰ ওপৰত গুৰুত্ব দিয়ে। ব্যক্তিয়ে তেওঁলোকৰ কৰ্তব্য সত্যনিষ্ঠাৰে নৈতিক নীতি নিয়ম অনুসৰি পালন কৰিব লাগে। এই নৈতিক মূল্যবোধবোৰ অনুশীলন আৰু আত্মভূত কৰিব পাৰিলেহে সত্যনিষ্ঠাৰ প্ৰকৃত জ্ঞান প্ৰাপ্তি হ'ব। সত্যনিষ্ঠা দুই ধৰণ- ব্যক্তিগত আৰু সামাজিক। ব্যক্তিগত সত্যনিষ্ঠাই ব্যক্তিগত কল্যাণ আৰু আনন্দৰ বাবে প্ৰয়োজনীয় ব্যক্তিগত ভালগুণবোৰৰ কথা সূচায়। সামাজিক সত্যনিষ্ঠাই সামাজিক শৃংখলা আৰু সম্প্ৰীতিৰ বাবে প্ৰয়োজনীয় গুণবোৰৰ কথা বুজায়।

ভাৰতীয় জ্ঞান পৰম্পৰাত ধৰ্মীয় আৰু দাৰ্শনিক চিন্তাধাৰাৰ পৰা সত্যনিষ্ঠা উৎপত্তি হৈছে। অনাদিকালৰে পৰা বিভিন্ন ধৰ্মীয় বিশ্বাসসমূহ ইয়াত সমৃদ্ধ হৈছিল। ভাৰতৰ প্ৰতিটো ধৰ্মীয় পৰম্পৰাত, ভাল নৈতিক আচৰণক সুখী আৰু সমৃদ্ধ জীৱনৰ বাবে অতিশয় প্ৰয়োজনীয় বুলি গন্য কৰা হৈছিল।

তলৰ কোনটো সত্যনিষ্ঠাৰ নৈতিক নীতি নহয় বিচাৰি উলিওৱা:

1. সমাজত কৰ্তব্য পালন কৰা
2. সুখ আৰু দুখৰ মাজত এক সন্তুলিত জীৱন যাপন কৰা
3. শান্তিপূৰ্ণ জীৱন যাপন কৰা
4. কঠোৰ নিয়মানুৱৰ্তিতা পালন কৰা

**Options :**

485584137201. 1  
485584137202. 2  
485584137203. 3  
485584137204. 4

**Question Number : 297 Question Id : 48558434302 Question Type : MCQ Option Shuffling : No Is Question Mandatory : No Calculator : None Response Time : N.A Think Time : N.A Minimum Instruction Time : 0**

**Correct Marks : 5 Wrong Marks : 1**

**Question Key Details :**

| Key           | Value |
|---------------|-------|
| Comprehension | Comp2 |

Read the following passage and answer the questions given below:

The moral code of the people is an indicator of their social and spiritual ways of life. The true essence of human life is to live amidst worldly joy and sorrows, Ethics is primarily concerned with the moral issues of the world. True religion lays stress on moral virtues. People are required to discharge their duties according to the moral code of ethics. A true knowledge of ethics would be attained if one practices and imbibes these moral values. Ethics is of two kinds individuals and social. Individual ethics is indicative of the good qualities that are essential for individual well-being of the good qualities that are essential for individual well-being and happiness. Social ethics represents the values that are needed for social order and harmony.

In the knowledge tradition of India ethics has its origin in its religious and philosophical thinking. From time immemorial, various religious faiths have flourished here. Every religious and every philosophical system of India has a prominent ethical component. Ethics is the core of all these systems. In every religious tradition, good moral conduct is considered essential for a happy and contented life.

What are the two major types of Ethics?

1. Religious and Philosophical
2. Individual and Social
3. Opened and Closed
4. Hard and Soft

**Options :**

485584137205. 1  
485584137206. 2  
485584137207. 3  
485584137208. 4

**Question Number : 297 Question Id : 48558434302 Question Type : MCQ Option Shuffling : No Is Question Mandatory : No Calculator : None Response Time : N.A Think Time : N.A Minimum Instruction Time : 0**

**Correct Marks : 5 Wrong Marks : 1**

**Question Key Details :**

| Key           | Value |
|---------------|-------|
| Comprehension | Comp2 |

ব্যক্তিৰ নৈতিক চৰিত্ৰই তেওঁলোকৰ সামাজিক, আধ্যাত্মিক জীৱনশৈলীৰ পৰিচায়ক। মানৱ জীৱনৰ প্ৰকৃত সাৰমৰ্ম হ'ল লৌকিক দুখ আৰু আনন্দৰ মাজত জীয়াই থকা। সত্যনিষ্ঠা মূলতঃ জগতৰ নৈতিক বিষয়বোৰকৰ লগত জড়িত। প্ৰকৃত ধৰ্মই নৈতিক গুণসমূহৰ ওপৰত গুৰুত্ব দিয়ে। ব্যক্তিয়ে তেওঁলোকৰ কৰ্তব্য সত্যনিষ্ঠাৰে নৈতিক নীতি নিয়ম অনুসৰি পালন কৰিব লাগে। এই নৈতিক মূল্যবোধবোৰ অনুশীলন আৰু আত্মভূত কৰিব পাৰিলেহে সত্যনিষ্ঠাৰ প্ৰকৃত জ্ঞান প্ৰাপ্তি হ'ব। সত্যনিষ্ঠা দুই ধৰণ- ব্যক্তিগত আৰু সামাজিক। ব্যক্তিগত সত্যনিষ্ঠাই ব্যক্তিগত কল্যাণ আৰু আনন্দৰ বাবে প্ৰয়োজনীয় ব্যক্তিগত ভালগুণবোৰৰ কথা সূচায়। সামাজিক সত্যনিষ্ঠাই সামাজিক শৃংখলা আৰু সম্প্ৰীতিৰ বাবে প্ৰয়োজনীয় গুণবোৰৰ কথা বুজায়।

ভাৰতীয় জ্ঞান পৰম্পৰাত ধৰ্মীয় আৰু দাৰ্শনিক চিন্তাধাৰাৰ পৰা সত্যনিষ্ঠা উৎপত্তি হৈছে। অনাদিকালৰে পৰা বিভিন্ন ধৰ্মীয় বিশ্বাসসমূহ ইয়াত সমৃদ্ধ হৈছিল। ভাৰতৰ প্ৰতিটো ধৰ্মীয় পৰম্পৰাত, ভাল নৈতিক আচৰণক সুখী আৰু সমৃদ্ধ জীৱনৰ বাবে অতিশয় প্ৰয়োজনীয় বুলি গন্য কৰা হৈছিল।

সত্যনিষ্ঠাৰ প্ৰধান প্ৰকাৰ দুটা কি কি?

1. ধৰ্মীয় আৰু দাৰ্শনিক
2. ব্যক্তিগত আৰু সামাজিক
3. মুক্ত আৰু ৰুদ্ধ
4. কঠিন আৰু মৃদু/নৰম

**Options :**

485584137205. 1  
485584137206. 2  
485584137207. 3  
485584137208. 4

**Question Number : 298 Question Id : 48558434303 Question Type : MCQ Option Shuffling : No Is Question Mandatory : No Calculator : None Response Time : N.A Think Time : N.A Minimum Instruction Time : 0**

**Correct Marks : 5 Wrong Marks : 1**

**Question Key Details :**

| Key           | Value |
|---------------|-------|
| Comprehension | Comp2 |

Read the following passage and answer the questions given below:

The moral code of the people is an indicator of their social and spiritual ways of life. The true essence of human life is to live amidst worldly joy and sorrows. Ethics is primarily concerned with the moral issues of the world. True religion lays stress on moral virtues. People are required to discharge their duties according to the moral code of ethics. A true knowledge of ethics would be attained if one practices and imbibes these moral values. Ethics is of two kinds individuals and social. Individual ethics is indicative of the good qualities that are essential for individual well-being of the good qualities that are essential for individual well-being and happiness. Social ethics represents the values that are needed for social order and harmony.

In the knowledge tradition of India ethics has its origin in its religious and philosophical thinking. From time immemorial, various religious faiths have flourished here. Every religious and every philosophical system of India has a prominent ethical component. Ethics is the core of all these systems. In every religious tradition, good moral conduct is considered essential for a happy and contented life.

In the knowledge tradition of India, Ethics originated in \_\_\_\_\_

1. Religious and Philosophical thinking
2. Traditional and Spiritual thinking
3. Broad and Positive thinking
4. Backward and Negative thinking

**Options :**

485584137209. 1  
485584137210. 2  
485584137211. 3

**Question Number : 298 Question Id : 48558434303 Question Type : MCQ Option Shuffling : No Is Question Mandatory : No Calculator : None Response Time : N.A Think Time : N.A Minimum Instruction Time : 0**

**Correct Marks : 5 Wrong Marks : 1**

**Question Key Details :**

| Key           | Value |
|---------------|-------|
| Comprehension | Comp2 |

ব্যক্তিৰ নৈতিক চৰিত্ৰই তেওঁলোকৰ সামাজিক, আধ্যাত্মিক জীৱনশৈলীৰ পৰিচায়ক। মানৱ জীৱনৰ প্ৰকৃত মাৰমৰ্ম হ'ল লৌকিক দুখ আৰু আনন্দৰ মাজত জীয়াই থকা। সত্যনিষ্ঠা মূলতঃ জগতৰ নৈতিক বিষয়াবোৰক লগত জড়িত। প্ৰকৃত ধৰ্মই নৈতিক গুণসমূহৰ ওপৰত গুৰুত্ব দিয়ে। ব্যক্তিয়ে তেওঁলোকৰ কৰ্তব্য সত্যনিষ্ঠাৰে নৈতিক নীতি নিয়ম অনুসৰি পালন কৰিব লাগে। এই নৈতিক মূল্যবোধবোৰ অনুশীলন আৰু আত্মভূত কৰিব পাৰিলেহে সত্যনিষ্ঠাৰ প্ৰকৃত জ্ঞান প্ৰাপ্তি হ'ব। সত্যনিষ্ঠা দুই ধৰণ- ব্যক্তিগত আৰু সামাজিক। ব্যক্তিগত সত্যনিষ্ঠাই ব্যক্তিগত কল্যাণ আৰু আনন্দৰ বাবে প্ৰয়োজনীয় ব্যক্তিগত ভালগুণবোৰৰ কথা সূচায়। সামাজিক সত্যনিষ্ঠাই সামাজিক শৃংখলা আৰু সম্প্ৰীতিৰ বাবে প্ৰয়োজনীয় গুণবোৰৰ কথা বুজায়।

ভাৰতীয় জ্ঞান পৰম্পৰাত ধৰ্মীয় আৰু দাৰ্শনিক চিন্তাধাৰাৰ পৰা সত্যনিষ্ঠা উৎপত্তি হৈছে। অনাদিকালৰে পৰা বিভিন্ন ধৰ্মীয় বিশ্বাসসমূহ ইয়াত সমৃদ্ধ হৈছিল। ভাৰতৰ প্ৰতিটো ধৰ্মীয় পৰম্পৰাত, ভাল নৈতিক আচৰণক সুখী আৰু সমৃদ্ধ জীৱনৰ বাবে অতিশয় প্ৰয়োজনীয় বুলি গন্য কৰা হৈছিল।

ভাৰতীয় জ্ঞান পৰম্পৰাত, সত্যনিষ্ঠাৰ \_\_\_\_\_ ত উৎপত্তি হৈছিল।

1. ধৰ্মীয় আৰু দাৰ্শনিক চিন্তাধাৰাত
2. পৰম্পৰাগত আৰু আধ্যাত্মিক চিন্তাধাৰাত
3. বহল আৰু ধনাত্মক চিন্তাধাৰাত
4. পশ্চাদগামী আৰু ঋণাত্মক চিন্তাধাৰাত

**Options :**

485584137209. 1  
485584137210. 2  
485584137211. 3  
485584137212. 4

**Question Number : 299 Question Id : 48558434304 Question Type : MCQ Option Shuffling : No Is Question Mandatory : No Calculator : None Response Time : N.A Think Time : N.A Minimum Instruction Time : 0**

**Correct Marks : 5 Wrong Marks : 1**

**Question Key Details :**

| Key           | Value |
|---------------|-------|
| Comprehension | Comp2 |

Read the following passage and answer the questions given below:

The moral code of the people is an indicator of their social and spiritual ways of life. The true essence of human life is to live amidst worldly joy and sorrows, Ethics is primarily concerned with the moral issues of the world. True religion lays stress on moral virtues. People are required to discharge their duties according to the moral code of ethics. A true knowledge of ethics would be attained if one practices and imbibes these moral values. Ethics is of two kinds individuals and social. Individual ethics is indicative of the good qualities that are essential for individual well-being of the good qualities that are essential for individual well-being and happiness. Social ethics represents the values that are needed for social order and harmony.

In the knowledge tradition of India ethics has its origin in its religious and philosophical thinking. From time immemorial, various religious faiths have flourished here. Every religious and every philosophical system of India has a prominent ethical component. Ethics is the core of all these systems. In every religious tradition, good moral conduct is considered essential for a happy and contented life.

Ethics is primarily concerned with the \_\_\_\_\_

1. Social issues of the world
2. Economic issues of the world
3. Moral issues of the world
4. Religious issues of the world

**Options :**

- 485584137213. 1
- 485584137214. 2
- 485584137215. 3
- 485584137216. 4

**Question Number : 299 Question Id : 48558434304 Question Type : MCQ Option Shuffling : No Is Question Mandatory : No Calculator : None Response Time : N.A Think Time : N.A Minimum Instruction Time : 0**

**Correct Marks : 5 Wrong Marks : 1**

**Question Key Details :**

| Key           | Value |
|---------------|-------|
| Comprehension | Comp2 |

ব্যক্তিৰ নৈতিক চৰিত্ৰই তেওঁলোকৰ সামাজিক, আধ্যাত্মিক জীৱনশৈলীৰ পৰিচায়ক। মানৱ জীৱনৰ প্ৰকৃত সাৰমৰ্ম হ'ল লৌকিক দুখ আৰু আনন্দৰ মাজত জীয়াই থকা। সত্যনিষ্ঠা মূলতঃ জগতৰ নৈতিক বিষয়বোৰক লগত জড়িত। প্ৰকৃত ধৰ্মই নৈতিক গুণসমূহৰ ওপৰত গুৰুত্ব দিয়ে। ব্যক্তিয়ে তেওঁলোকৰ কৰ্তব্য সত্যনিষ্ঠাৰে নৈতিক নীতি নিয়ম অনুসৰি পালন কৰিব লাগে। এই নৈতিক মূল্যবোধবোৰ অনুশীলন আৰু আত্মভূত কৰিব পাৰিলেহে সত্যনিষ্ঠাৰ প্ৰকৃত জ্ঞান প্ৰাপ্তি হ'ব। সত্যনিষ্ঠা দুই ধৰণ- ব্যক্তিগত আৰু সামাজিক। ব্যক্তিগত সত্যনিষ্ঠাই ব্যক্তিগত কল্যাণ আৰু আনন্দৰ বাবে প্ৰয়োজনীয় ব্যক্তিগত ভালগুণবোৰৰ কথা সূচায়। সামাজিক সত্যনিষ্ঠাই সামাজিক শৃংখলা আৰু সম্প্ৰীতিৰ বাবে প্ৰয়োজনীয় গুণবোৰৰ কথা বুজায়।

ভাৰতীয় জ্ঞান পৰম্পৰাত ধৰ্মীয় আৰু দাৰ্শনিক চিন্তাধাৰাৰ পৰা সত্যনিষ্ঠা উৎপত্তি হৈছে। অনাদিকালৰে পৰা বিভিন্ন ধৰ্মীয় বিশ্বাসসমূহ ইয়াত সমৃদ্ধ হৈছিল। ভাৰতৰ প্ৰতিটো ধৰ্মীয় পৰম্পৰাত, ভাল নৈতিক আচৰণক সুখী আৰু সমৃদ্ধ জীৱনৰ বাবে অতিশয় প্ৰয়োজনীয় বুলি গন্য কৰা হৈছিল।

সত্যনিষ্ঠা মূলতঃ \_\_\_\_\_ ৰ লগত জড়িত।

1. পৃথিৱীৰ সামাজিক সমস্যা/বিষয়বোৰৰ
2. পৃথিৱীৰ আৰ্থিক সমস্যা/বিষয়বোৰৰ
3. পৃথিৱীৰ নৈতিক সমস্যা/বিষয়বোৰৰ
4. পৃথিৱীৰ ধৰ্মীয় সমস্যা/বিষয়বোৰৰ

**Options :**

485584137213. 1  
485584137214. 2  
485584137215. 3  
485584137216. 4

**Question Number : 300 Question Id : 48558434305 Question Type : MCQ Option Shuffling : No Is Question Mandatory : No Calculator : None Response Time : N.A Think Time : N.A Minimum Instruction Time : 0**

**Correct Marks : 5 Wrong Marks : 1**

**Question Key Details :**

| Key           | Value |
|---------------|-------|
| Comprehension | Comp2 |

Read the following passage and answer the questions given below:

The moral code of the people is an indicator of their social and spiritual ways of life. The true essence of human life is to live amidst worldly joy and sorrows, Ethics is primarily concerned with the moral issues of the world. True religion lays stress on moral virtues. People are required to discharge their duties according to the moral code of ethics. A true knowledge of ethics would be attained if one practices and imbibes these moral values. Ethics is of two kinds individual and social. Individual ethics is indicative of the good qualities that are essential for individual well-being of the good qualities that are essential for individual well-being and happiness. Social ethics represents the values that are needed for social order and harmony.

In the knowledge tradition of India ethics has its origin in its religious and philosophical thinking. From time immemorial, various religious faiths have flourished here. Every religious and every philosophical system of India has a prominent ethical component. Ethics is the core of all these systems. In every religious tradition, good moral conduct is considered essential for a happy and contented life.

To maintain social order and harmony what type of ethics play an important role in society?

1. Individual Ethics
2. Social Ethics
3. Political Ethics
4. Legal Ethics

**Options :**

- 485584137217. 1
- 485584137218. 2
- 485584137219. 3
- 485584137220. 4

**Question Number : 300 Question Id : 48558434305 Question Type : MCQ Option Shuffling : No Is Question Mandatory : No Calculator : None Response Time : N.A Think Time : N.A Minimum Instruction Time : 0**

**Correct Marks : 5 Wrong Marks : 1**

**Question Key Details :**

| Key           | Value |
|---------------|-------|
| Comprehension | Comp2 |

ব্যক্তিৰ নৈতিক চৰিত্ৰই তেওঁলোকৰ সামাজিক, আধ্যাত্মিক জীৱনশৈলীৰ পৰিচায়ক। মানৱ জীৱনৰ প্ৰকৃত সাৰমৰ্ম হ'ল লৌকিক দুখ আৰু আনন্দৰ মাজত জীয়াই থকা। সত্যনিষ্ঠা মূলতঃ জগতৰ নৈতিক বিষয়বোৰক লগত জড়িত। প্ৰকৃত ধৰ্মই নৈতিক গুণসমূহৰ ওপৰত গুৰুত্ব দিয়ে। ব্যক্তিয়ে তেওঁলোকৰ কৰ্তব্য সত্যনিষ্ঠাৰে নৈতিক নীতি নিয়ম অনুসৰি পালন কৰিব লাগে। এই নৈতিক মূল্যবোধবোৰ অনুশীলন আৰু আত্মভূত কৰিব পাৰিলেহে সত্যনিষ্ঠাৰ প্ৰকৃত জ্ঞান প্ৰাপ্তি হ'ব। সত্যনিষ্ঠা দুই ধৰণ- ব্যক্তিগত আৰু সামাজিক। ব্যক্তিগত সত্যনিষ্ঠাই ব্যক্তিগত কল্যাণ আৰু আনন্দৰ বাবে প্ৰয়োজনীয় ব্যক্তিগত ভালগুণবোৰৰ কথা সূচায়। সামাজিক সত্যনিষ্ঠাই সামাজিক শৃংখলা আৰু সম্প্ৰীতিৰ বাবে প্ৰয়োজনীয় গুণবোৰৰ কথা বুজায়।

ভাৰতীয় জ্ঞান পৰম্পৰাত ধৰ্মীয় আৰু দাৰ্শনিক চিন্তাধাৰাৰ পৰা সত্যনিষ্ঠা উৎপত্তি হৈছে। অনাদিকালৰে পৰা বিভিন্ন ধৰ্মীয় বিশ্বাসসমূহ ইয়াত সমৃদ্ধ হৈছিল। ভাৰতৰ প্ৰতিটো ধৰ্মীয় পৰম্পৰাত, ভাল নৈতিক আচৰণক সুখী আৰু সমৃদ্ধ জীৱনৰ বাবে অতিশয় প্ৰয়োজনীয় বুলি গন্য কৰা হৈছিল।

সামাজিক শৃংখলা আৰু সম্প্ৰীতি বজায় ৰখাতকেনে ধৰণৰ সত্যনিষ্ঠাই সমাজত গুৰুত্বপূৰ্ণ ভূমিকা পালন কৰে?

1. ব্যক্তিগত সত্যনিষ্ঠা
2. সামাজিক সত্যনিষ্ঠা
3. ৰাজনৈতিক সত্যনিষ্ঠা
4. ন্যায়িক সত্যনিষ্ঠা

**Options :**

485584137217. 1  
485584137218. 2  
485584137219. 3  
485584137220. 4

## Political Science

|                               |           |
|-------------------------------|-----------|
| Group Number :                | 12        |
| Group Id :                    | 485584779 |
| Group Maximum Duration :      | 45        |
| Group Minimum Duration :      | 45        |
| Show Attended Group? :        | No        |
| Edit Attended Group? :        | No        |
| Break time :                  | 0         |
| Group Marks :                 | 200       |
| Is this Group for Examiner? : | No        |
| Examiner permission :         | Cant View |
| Show Progress Bar? :          | No        |

## Political Science

|                         |           |
|-------------------------|-----------|
| Section Id :            | 485584897 |
| Section Number :        | 1         |
| Section type :          | Online    |
| Mandatory or Optional : | Mandatory |



Number of Questions : 50  
Number of Questions to be attempted : 40  
Section Marks : 200  
Enable Mark as Answered Mark for Review and Clear Response : Yes  
Maximum Instruction Time : 0  
Sub-Section Number : 1  
Sub-Section Id : 4855842545  
Question Shuffling Allowed : Yes  
Is Section Default? : null

Question Number : 301 Question Id : 48558434356 Question Type : MCQ Option Shuffling : No Is Question Mandatory : No Calculator : None Response Time : N.A Think Time : N.A Minimum Instruction Time : 0

Correct Marks : 5 Wrong Marks : 1

Question Key Details :

| Key           | Value |
|---------------|-------|
| Comprehension | MCQ   |

When the constitution was signed?

1. 24 January 1950
2. 26 November 1949
3. 26 January 1950
4. 26 November 1950

Options :

485584137421. 1  
485584137422. 2  
485584137423. 3  
485584137424. 4

Question Number : 302 Question Id : 48558434357 Question Type : MCQ Option Shuffling : No Is Question Mandatory : No Calculator : None Response Time : N.A Think Time : N.A Minimum Instruction Time : 0

Correct Marks : 5 Wrong Marks : 1

Question Key Details :

| Key           | Value |
|---------------|-------|
| Comprehension | MCQ   |

Election Commission of India was setup in

1. January 1949
2. January 1950
3. November 1949
4. November 1950

Options :

485584137425. 1  
485584137426. 2  
485584137427. 3

485584137428. 4

**Question Number : 303 Question Id : 48558434358 Question Type : MCQ Option Shuffling : No Is Question Mandatory : No Calculator : None Response Time : N.A Think Time : N.A Minimum Instruction Time : 0**

**Correct Marks : 5 Wrong Marks : 1**

**Question Key Details :**

| Key           | Value |
|---------------|-------|
| Comprehension | MCQ   |

Who was the first Election Commissioner of India.

1. S S Sen
2. Sukumar Sen
3. Kumar Sen
4. S Kumar Sen

**Options :**

- 485584137429. 1
- 485584137430. 2
- 485584137431. 3
- 485584137432. 4

**Question Number : 304 Question Id : 48558434359 Question Type : MCQ Option Shuffling : No Is Question Mandatory : No Calculator : None Response Time : N.A Think Time : N.A Minimum Instruction Time : 0**

**Correct Marks : 5 Wrong Marks : 1**

**Question Key Details :**

| Key           | Value |
|---------------|-------|
| Comprehension | MCQ   |

Who decided to convert Cuba in to a Russian base in 1962.

1. Nikhil Khurushchev
2. Nikita Khurushchev
3. Neil Khurushchev
4. Nail Khurushchev

**Options :**

- 485584137433. 1
- 485584137434. 2
- 485584137435. 3
- 485584137436. 4

**Question Number : 305 Question Id : 48558434360 Question Type : MCQ Option Shuffling : No Is Question Mandatory : No Calculator : None Response Time : N.A Think Time : N.A Minimum Instruction Time : 0**

**Correct Marks : 5 Wrong Marks : 1**

**Question Key Details :**

| Key           | Value |
|---------------|-------|
| Comprehension | MCQ   |

The First world War was shaken the world between

1. 1914-1918
2. 1914-1916
3. 1914-1919
4. 1914-1917

**Options :**

- 485584137437. 1
- 485584137438. 2
- 485584137439. 3
- 485584137440. 4

**Question Number : 306 Question Id : 48558434361 Question Type : MCQ Option Shuffling : No Is Question Mandatory : No Calculator : None Response Time : N.A Think Time : N.A Minimum Instruction Time : 0**

**Correct Marks : 5 Wrong Marks : 1**

**Question Key Details :**

| Key           | Value |
|---------------|-------|
| Comprehension | MCQ   |

United States dropped two atomic bombs on the Japanese cities of Hiroshima and Nagasaki in

1. July 1945
2. August 1945
3. September 1945
4. October 1945

**Options :**

- 485584137441. 1
- 485584137442. 2
- 485584137443. 3
- 485584137444. 4

**Question Number : 307 Question Id : 48558434362 Question Type : MCQ Option Shuffling : No Is Question Mandatory : No Calculator : None Response Time : N.A Think Time : N.A Minimum Instruction Time : 0**

**Correct Marks : 5 Wrong Marks : 1**

**Question Key Details :**

| Key           | Value |
|---------------|-------|
| Comprehension | MCQ   |

North Atlantic Treaty Organisation (NATO) came into existence in

1. March 1949
2. April 1949
3. May 1949
4. June 1949

**Options :**

- 485584137445. 1
- 485584137446. 2
- 485584137447. 3
- 485584137448. 4

**Question Number : 308 Question Id : 48558434363 Question Type : MCQ Option Shuffling : No Is Question Mandatory : No Calculator : None Response Time : N.A Think Time : N.A Minimum Instruction Time : 0**

**Correct Marks : 5 Wrong Marks : 1**

**Question Key Details :**

| Key           | Value |
|---------------|-------|
| Comprehension | MCQ   |

The Eastern alliance, known as the Warsaw Pact, was led by the Soviet Union was created in

1. 1945
2. 1949
3. 1955
4. 1957

**Options :**

- 485584137449. 1
- 485584137450. 2
- 485584137451. 3
- 485584137452. 4

**Question Number : 309 Question Id : 48558434364 Question Type : MCQ Option Shuffling : No Is Question Mandatory : No Calculator : None Response Time : N.A Think Time : N.A Minimum Instruction Time : 0**

**Correct Marks : 5 Wrong Marks : 1**

**Question Key Details :**

| Key           | Value |
|---------------|-------|
| Comprehension | MCQ   |

The First non-aligned summit was held in Belgrade in.

1. 1958
2. 1959
3. 1960
4. 1961

**Options :**

485584137453. 1  
485584137454. 2  
485584137455. 3  
485584137456. 4

**Question Number : 310 Question Id : 48558434365 Question Type : MCQ Option Shuffling : No Is Question Mandatory : No Calculator : None Response Time : N.A Think Time : N.A Minimum Instruction Time : 0**

**Correct Marks : 5 Wrong Marks : 1**

**Question Key Details :**

| Key           | Value |
|---------------|-------|
| Comprehension | MCQ   |

Famous speech 'tryst with destiny' is addressed by :-

1. Jawaharlal Nehru
2. Mahatma Gandhi
3. Lal Bahadur Shastri
4. Khan Abdul Gaffar Khan

**Options :**

485584137457. 1  
485584137458. 2  
485584137459. 3  
485584137460. 4

**Question Number : 311 Question Id : 48558434366 Question Type : MCQ Option Shuffling : No Is Question Mandatory : No Calculator : None Response Time : N.A Think Time : N.A Minimum Instruction Time : 0**

**Correct Marks : 5 Wrong Marks : 1**

**Question Key Details :**

| Key           | Value |
|---------------|-------|
| Comprehension | MCQ   |

Who was the Deputy Prime Minister and first home minister of Independent India

1. Raf Ahmad Kidwai
2. Sardar Vallabh Bhai Patel
3. C. Rajgopalachari
4. K. S. Menon

**Options :**

485584137461. 1  
485584137462. 2  
485584137463. 3  
485584137464. 4

**Question Number : 312 Question Id : 48558434367 Question Type : MCQ Option Shuffling : No Is Question Mandatory : No Calculator : None Response Time : N.A Think Time : N.A Minimum Instruction Time : 0**

**Correct Marks : 5 Wrong Marks : 1**

**Question Key Details :**

| Key           | Value |
|---------------|-------|
| Comprehension | MCQ   |

A section of the big industrialists got together in 1944 and drafted a joint proposal for setting up a planned economy in the country it was called \_\_\_\_\_

1. Russian Plan
2. Global Plan
3. Bombay Plan
4. SwissPlan

**Options :**

485584137465. 1  
485584137466. 2  
485584137467. 3  
485584137468. 4

**Question Number : 313 Question Id : 48558434368 Question Type : MCQ Option Shuffling : No Is Question Mandatory : No Calculator : None Response Time : N.A Think Time : N.A Minimum Instruction Time : 0**

**Correct Marks : 5 Wrong Marks : 1**

**Question Key Details :**

| Key           | Value |
|---------------|-------|
| Comprehension | MCQ   |

Name the founder of Indian Stastical Institute

1. K. N. Raj
2. J. C. Kumarappa
3. R. D. Raj
4. P. C. Mahalanobis

**Options :**

485584137469. 1  
485584137470. 2  
485584137471. 3  
485584137472. 4

**Question Number : 314 Question Id : 48558434369 Question Type : MCQ Option Shuffling : No Is Question Mandatory : No Calculator : None Response Time : N.A Think Time : N.A Minimum Instruction Time : 0**

**Correct Marks : 5 Wrong Marks : 1**

**Question Key Details :**

| Key           | Value |
|---------------|-------|
| Comprehension | MCQ   |

Which Article of the Indian constitution lays down some directive principles of State policy on 'Promotion of international peace and security'

1. Article 51
2. Arcticle 52
3. Article 53
4. Article 54

**Options :**

485584137473. 1  
485584137474. 2  
485584137475. 3  
485584137476. 4

**Question Number : 315 Question Id : 48558434370 Question Type : MCQ Option Shuffling : No Is Question Mandatory : No Calculator : None Response Time : N.A Think Time : N.A Minimum Instruction Time : 0**

**Correct Marks : 5 Wrong Marks : 1**

**Question Key Details :**

| Key           | Value |
|---------------|-------|
| Comprehension | MCQ   |

Who is the director of film 'Haqeeqat' (year 1964)

1. Sanjay Khan
2. Balraj Sahni
3. Chetan Anand
4. Jaxant Karvey

**Options :**

485584137477. 1  
485584137478. 2  
485584137479. 3  
485584137480. 4

**Question Number : 316 Question Id : 48558434371 Question Type : MCQ Option Shuffling : No Is Question Mandatory : No Calculator : None Response Time : N.A Think Time : N.A Minimum Instruction Time : 0**

**Correct Marks : 5 Wrong Marks : 1**

**Question Key Details :**

| Key           | Value |
|---------------|-------|
| Comprehension | MCQ   |

Who coined the famous slogan 'Jai Jawan Jai Kisan'

1. Lal Bahadur Sashtri
2. Jawaharlal Nehru
3. Khan Abdul Gaffar
4. Mahatma Gandhi

**Options :**

485584137481. 1  
485584137482. 2  
485584137483. 3  
485584137484. 4

**Question Number : 317 Question Id : 48558434372 Question Type : MCQ Option Shuffling : No Is Question Mandatory : No Calculator : None Response Time : N.A Think Time : N.A Minimum Instruction Time : 0**

**Correct Marks : 5 Wrong Marks : 1**

**Question Key Details :**

| Key           | Value |
|---------------|-------|
| Comprehension | MCQ   |



Who formed DMK as a political party in 1949

1. Ram Manohar Lohia
2. C. Natrajan Annadurai
3. C. Kagle
4. Karpoori Thakur

**Options :**

485584137485. 1  
485584137486. 2  
485584137487. 3  
485584137488. 4

**Question Number : 318 Question Id : 48558434373 Question Type : MCQ Option Shuffling : No Is Question Mandatory : No Calculator : None Response Time : N.A Think Time : N.A Minimum Instruction Time : 0**

**Correct Marks : 5 Wrong Marks : 1**

**Question Key Details :**

| Key           | Value |
|---------------|-------|
| Comprehension | MCQ   |

Under the provision of which Article in Indian constitution government could declare a state of emergency on ground of external threat or internal disturbance.

1. Article 362
2. Article 352
3. Article 372
4. Article 382

**Options :**

485584137489. 1  
485584137490. 2  
485584137491. 3  
485584137492. 4

**Question Number : 319 Question Id : 48558434374 Question Type : MCQ Option Shuffling : No Is Question Mandatory : No Calculator : None Response Time : N.A Think Time : N.A Minimum Instruction Time : 0**

**Correct Marks : 5 Wrong Marks : 1**

**Question Key Details :**

| Key           | Value |
|---------------|-------|
| Comprehension | MCQ   |

in which year the Janta Party government appointed a commission of inquiry headed by Justice J. C. Shah.

1. May 1977
2. June 1977
3. July 1977
4. August 1977

**Options :**

485584137493. 1  
485584137494. 2  
485584137495. 3  
485584137496. 4

**Question Number : 320 Question Id : 48558434375 Question Type : MCQ Option Shuffling : No Is Question Mandatory : No Calculator : None Response Time : N.A Think Time : N.A Minimum Instruction Time : 0**

**Correct Marks : 5 Wrong Marks : 1**

**Question Key Details :**

| Key           | Value |
|---------------|-------|
| Comprehension | MCQ   |

Dalit Panthers, a militant organisation of the Dalit youth was formed in which state

1. Gujarat
2. Andhra Pradesh
3. Maharashtra
4. Bihar

**Options :**

485584137497. 1  
485584137498. 2  
485584137499. 3  
485584137500. 4

**Question Number : 321 Question Id : 48558434376 Question Type : MCQ Option Shuffling : No Is Question Mandatory : No Calculator : None Response Time : N.A Think Time : N.A Minimum Instruction Time : 0**

**Correct Marks : 5 Wrong Marks : 1**

**Question Key Details :**

| Key           | Value |
|---------------|-------|
| Comprehension | MCQ   |

Write the full form of BKU

1. Bharat Keval Union
2. Bharat Kisan Union
3. Bharat Karma union
4. Bhartiya Kisan United

**Options :**

485584137501. 1  
485584137502. 2  
485584137503. 3  
485584137504. 4

**Question Number : 322 Question Id : 48558434377 Question Type : MCQ Option Shuffling : No Is Question Mandatory : No Calculator : None Response Time : N.A Think Time : N.A Minimum Instruction Time : 0**

**Correct Marks : 5 Wrong Marks : 1**

**Question Key Details :**

| Key           | Value |
|---------------|-------|
| Comprehension | MCQ   |

Turning their back to the  
Sun they prayed through centuries  
Now, now we must refuse  
to be pilgrims of darkness

Who is the author of above poem

1. Eleanor Zelliot
2. Namdeo Dhasal
3. Golpitha
4. Jayanti Karvay

**Options :**

485584137505. 1  
485584137506. 2  
485584137507. 3  
485584137508. 4

**Question Number : 323 Question Id : 48558434378 Question Type : MCQ Option Shuffling : No Is Question Mandatory : No Calculator : None Response Time : N.A Think Time : N.A Minimum Instruction Time : 0**

**Correct Marks : 5 Wrong Marks : 1**

**Question Key Details :**

| Key           | Value |
|---------------|-------|
| Comprehension | MCQ   |

The slogan of "Anti Arrack Movement in Andhra Pradesh was

1. Say no to liquor
2. Stop liquor
3. Prohibition on the sale of arrack
4. Stop arrack save lives

**Options :**

485584137509. 1  
485584137510. 2  
485584137511. 3  
485584137512. 4

**Question Number : 324 Question Id : 48558434379 Question Type : MCQ Option Shuffling : No Is Question Mandatory : No Calculator : None Response Time : N.A Think Time : N.A Minimum Instruction Time : 0**

**Correct Marks : 5 Wrong Marks : 1**

**Question Key Details :**

| Key           | Value |
|---------------|-------|
| Comprehension | MCQ   |

Who was known as 'Periyar'

1. E. V. Ramasami Naicker
2. Sheikh Abdulla
3. E. V. Ramanujan
4. E. S. Naiyekar

**Options :**

485584137513. 1  
485584137514. 2  
485584137515. 3  
485584137516. 4

**Question Number : 325 Question Id : 48558434380 Question Type : MCQ Option Shuffling : No Is Question Mandatory : No Calculator : None Response Time : N.A Think Time : N.A Minimum Instruction Time : 0**

**Correct Marks : 5 Wrong Marks : 1**

**Question Key Details :**

| Key           | Value |
|---------------|-------|
| Comprehension | MCQ   |

Write the full form of 'AASU'

1. All Assam Students Union
2. All Assam Samarathak Union
3. All Assam Samman Union
4. All Assam Student united

**Options :**

485584137517. 1  
485584137518. 2  
485584137519. 3  
485584137520. 4

**Question Number : 326 Question Id : 48558434381 Question Type : MCQ Option Shuffling : No Is Question Mandatory : No Calculator : None Response Time : N.A Think Time : N.A Minimum Instruction Time : 0**

**Correct Marks : 5 Wrong Marks : 1**

**Question Key Details :**

| Key           | Value |
|---------------|-------|
| Comprehension | MCQ   |

Who advocated the Charbuja Rajniti

1. Ram Manohar Lohia
2. Ram Thakur
3. Lala Lajpat Rai
4. Atal Bihari Vajpayee

**Options :**

485584137521. 1  
485584137522. 2  
485584137523. 3  
485584137524. 4

**Question Number : 327 Question Id : 48558434382 Question Type : MCQ Option Shuffling : No Is Question Mandatory : No Calculator : None Response Time : N.A Think Time : N.A Minimum Instruction Time : 0**

**Correct Marks : 5 Wrong Marks : 1**

**Question Key Details :**

| Key           | Value |
|---------------|-------|
| Comprehension | MCQ   |

BRIC was formed in which year

1. 2005
2. 2006
3. 2007
4. 2008

**Options :**

- 485584137525. 1
- 485584137526. 2
- 485584137527. 3
- 485584137528. 4

**Question Number : 328 Question Id : 48558434383 Question Type : MCQ Option Shuffling : No Is Question Mandatory : No Calculator : None Response Time : N.A Think Time : N.A Minimum Instruction Time : 0**

**Correct Marks : 5 Wrong Marks : 1**

**Question Key Details :**

| Key           | Value |
|---------------|-------|
| Comprehension | MCQ   |

Full form of NITI Aayog :

1. National Institution for Transforming India
2. National Institution for Testing India
3. National Institution for Total India
4. national Integration of total India

**Options :**

- 485584137529. 1
- 485584137530. 2
- 485584137531. 3
- 485584137532. 4

**Question Number : 329 Question Id : 48558434384 Question Type : MCQ Option Shuffling : No Is Question Mandatory : No Calculator : None Response Time : N.A Think Time : N.A Minimum Instruction Time : 0**

**Correct Marks : 5 Wrong Marks : 1**

**Question Key Details :**

| Key           | Value |
|---------------|-------|
| Comprehension | MCQ   |

Match List I with List II

| LIST I |                      | LIST II |      |
|--------|----------------------|---------|------|
| A.     | IAEA                 | I.      | 2006 |
| B.     | World Bank           | II.     | 1995 |
| C.     | human Rights Council | III.    | 1957 |
| D.     | WTO                  | IV.     | 1944 |

Choose the correct answer from the options given below:

1. A-IV, B-I, C-II, D-III
2. A-I, B-II, C-III, D-IV
3. A-III, B-IV, C-I, D-II
4. A-II, B-III, C-I, D-IV

**Options :**

485584137533. 1  
485584137534. 2  
485584137535. 3  
485584137536. 4

**Question Number : 330 Question Id : 48558434385 Question Type : MCQ Option Shuffling : No Is Question Mandatory : No Calculator : None Response Time : N.A Think Time : N.A Minimum Instruction Time : 0**

**Correct Marks : 5 Wrong Marks : 1**

**Question Key Details :**

| Key           | Value |
|---------------|-------|
| Comprehension | MCQ   |

Match List I with List II

| LIST I |                      | LIST II |                                       |
|--------|----------------------|---------|---------------------------------------|
| A.     | Maulana Abul Kalam   | I.      | President of Congress Socialist Party |
| B.     | Rajkumari Amrit Kaur | II.     | First Education Minister              |
| C.     | Acharya Narendra Dev | III.    | Political leader from Kerala          |
| D.     | A K Gopalan          | IV.     | First Health Minister                 |

Choose the correct answer from the options given below:

1. A-II, B-I, C-IV, D-III
2. A-I, B-IV, C-III, D-II
3. A-II, B-IV, C-I, D-III
4. A-IV, B-II, C-I, D-III

**Options :**

485584137537. 1

485584137538. 2  
485584137539. 3  
485584137540. 4

**Question Number : 331 Question Id : 48558434386 Question Type : MCQ Option Shuffling : No Is Question Mandatory : No Calculator : None Response Time : N.A Think Time : N.A Minimum Instruction Time : 0**

**Correct Marks : 5 Wrong Marks : 1**

**Question Key Details :**

| Key           | Value |
|---------------|-------|
| Comprehension | MCQ   |

Choose the wrong statement about Jagjivan Ram from the following options:

1. Member of Parliament since 1952 till his death.
2. Freedom fighter and Congress leader from Bihar
3. Finance Minister in the first Ministry of free India
4. Deputy Prime Minister of India (1977-1979)

**Options :**

485584137541. 1  
485584137542. 2  
485584137543. 3  
485584137544. 4

**Question Number : 332 Question Id : 48558434387 Question Type : MCQ Option Shuffling : No Is Question Mandatory : No Calculator : None Response Time : N.A Think Time : N.A Minimum Instruction Time : 0**

**Correct Marks : 5 Wrong Marks : 1**

**Question Key Details :**

| Key           | Value |
|---------------|-------|
| Comprehension | MCQ   |

Arrange the following Prime Ministers in chronological order of their tenure.

- A. Narendra Modi
- B. Chandra Shekhar
- C. V. P. Singh
- D. P. V. Narsimha Rao
- E. Manmohan Singh

Choose the most appropriate answer from the options given below:

1. C, B, D, E, A only
2. B, C, D, E, A only
3. D, B, C, E, A only
4. C, D, B, E, A only

**Options :**

485584137545. 1  
485584137546. 2



485584137547. 3  
485584137548. 4

**Question Number : 333 Question Id : 48558434388 Question Type : MCQ Option Shuffling : No Is Question Mandatory : No Calculator : None Response Time : N.A Think Time : N.A Minimum Instruction Time : 0**

**Correct Marks : 5 Wrong Marks : 1**

**Question Key Details :**

| Key           | Value |
|---------------|-------|
| Comprehension | MCQ   |

UNHCR stands for-

1. The United Nations High Commission For Refugees.
2. The United National High Commission For Refugees.
3. The United Nations High Commission for Refugees.
4. The United Nations Health Commission for Refugees.

**Options :**

485584137549. 1  
485584137550. 2  
485584137551. 3  
485584137552. 4

**Question Number : 334 Question Id : 48558434389 Question Type : MCQ Option Shuffling : No Is Question Mandatory : No Calculator : None Response Time : N.A Think Time : N.A Minimum Instruction Time : 0**

**Correct Marks : 5 Wrong Marks : 1**

**Question Key Details :**

| Key           | Value |
|---------------|-------|
| Comprehension | MCQ   |

Who announced the formation of a separate Andhra state in December 1952

1. First Deputy Prime Minister of an independent India
2. First Home Minister of an independent India
3. Chief Minister of Madras
4. First Prime Minister of an independent India

**Options :**

485584137553. 1  
485584137554. 2  
485584137555. 3  
485584137556. 4

**Question Number : 335 Question Id : 48558434390 Question Type : MCQ Option Shuffling : No Is Question Mandatory : No Calculator : None Response Time : N.A Think Time : N.A Minimum Instruction Time : 0**

**Correct Marks : 5 Wrong Marks : 1**

**Question Key Details :**

| Key | Value |
|-----|-------|
|-----|-------|

- A. The green revolution resulted in the rise of what is called the middle peasant sections.  
 B. After green revolution Uttar Pradesh, Bihar and Madhya Pradesh became agriculturally prosperous.  
 C. The green revolution delivered only a moderate agriculture growth and raised the availability of food in the country.  
 D. In 1982 the rural development programme called operation flood was started.

Choose the correct answer from the options given below:

1. A and C only
2. A and D only
3. C and D only
4. B and C only

**Options :**

485584137557. 1  
 485584137558. 2  
 485584137559. 3  
 485584137560. 4

**Question Number : 336 Question Id : 48558434391 Question Type : MCQ Option Shuffling : No Is Question Mandatory : No Calculator : None Response Time : N.A Think Time : N.A Minimum Instruction Time : 0**

**Correct Marks : 5 Wrong Marks : 1**

**Question Key Details :**

| Key           | Value |
|---------------|-------|
| Comprehension | MCQ   |

When did the Government of India replaced the Planning Commission with a new institution named "NITI Ayog"

1. 1 January 2014
2. 1 January 2016
3. 1 January 2019
4. 1 January 2015

**Options :**

485584137561. 1  
 485584137562. 2  
 485584137563. 3  
 485584137564. 4

**Question Number : 337 Question Id : 48558434392 Question Type : MCQ Option Shuffling : No Is Question Mandatory : No Calculator : None Response Time : N.A Think Time : N.A Minimum Instruction Time : 0**

**Correct Marks : 5 Wrong Marks : 1**

**Question Key Details :**

| Key           | Value |
|---------------|-------|
| Comprehension | MCQ   |

The idea of Planning in India was drawn from:-

- A. The Bombay Plan
- B. Experiences of the Soviet bloc countries
- C. Gandhian vision of Society
- D. Demand by Peasant Organisation
- E. Self Sufficiency

Choose the correct answer from the options given below:

- 1. B and D only
- 2. D and C only
- 3. A and B only
- 4. A only

**Options :**

- 485584137565. 1
- 485584137566. 2
- 485584137567. 3
- 485584137568. 4

**Question Number : 338 Question Id : 48558434393 Question Type : MCQ Option Shuffling : No Is Question Mandatory : No Calculator : None Response Time : N.A Think Time : N.A Minimum Instruction Time : 0**

**Correct Marks : 5 Wrong Marks : 1**

**Question Key Details :**

| Key           | Value |
|---------------|-------|
| Comprehension | MCQ   |

What led to the era of coalition government at the centre after 1989:

- 1. Due to rise of communist party.
- 2. Weaking of the congress system.
- 3. Due to death of Rajiv Gandhi
- 4. Due to implementation of recommendation by Mandal Commission

**Options :**

- 485584137569. 1
- 485584137570. 2
- 485584137571. 3
- 485584137572. 4

**Question Number : 339 Question Id : 48558434394 Question Type : MCQ Option Shuffling : No Is Question Mandatory : No Calculator : None Response Time : N.A Think Time : N.A Minimum Instruction Time : 0**

**Correct Marks : 5 Wrong Marks : 1**

**Question Key Details :**

| Key           | Value |
|---------------|-------|
| Comprehension | MCQ   |

Match List I with List II

| LIST I<br>Incident |                                | LIST II<br>Year |      |
|--------------------|--------------------------------|-----------------|------|
| A.                 | Formation of NATO              | I.              | 1947 |
| B.                 | Cuban Missile Crisis           | II.             | 1956 |
| C.                 | Truman's Doctrine              | III.            | 1949 |
| D.                 | Soviet intervention in Hungary | IV.             | 1962 |

Choose the correct answer from the options given below:

1. A-III, B-IV, C-II, D-I
2. A-III, B-IV, C-I, D-II
3. A-I, B-II, C-III, D-IV
4. A-II, B-I, C-III, D-IV

**Options :**

485584137573. 1  
485584137574. 2  
485584137575. 3  
485584137576. 4

**Question Number : 340 Question Id : 48558434395 Question Type : MCQ Option Shuffling : No Is Question Mandatory : No Calculator : None Response Time : N.A Think Time : N.A Minimum Instruction Time : 0**

**Correct Marks : 5 Wrong Marks : 1**

**Question Key Details :**

| Key           | Value |
|---------------|-------|
| Comprehension | MCQ   |

Which of the Given leader is not the founding Member of NAM?

1. Josip Broz Tito
2. Jawaharlal Nehru
3. Indira Gandhi
4. Sukarno

**Options :**

485584137577. 1  
485584137578. 2  
485584137579. 3  
485584137580. 4

**Sub-Section Number :**

2

**Sub-Section Id :**

4855842546

**Question Shuffling Allowed :**

No

**Is Section Default? :**

null

**Question Number : 341 Question Id : 48558434396 Question Type : MCQ Option Shuffling : No Is Question Mandatory : No Calculator : None Response Time : N.A Think Time : N.A Minimum Instruction Time : 0**

**Correct Marks : 5 Wrong Marks : 1**

**Question Key Details :**

| Key           | Value |
|---------------|-------|
| Comprehension | Comp1 |

Read the passage given below to answer

In spite of the many conflicts, the states of South Asia recognize the importance of cooperation and friendly relationship among themselves. The South Asian association for regional Cooperation (SAARC) is a major regional initiative by the South Asian states to evolve cooperation through multilateral means. It began in 1985. Unfortunately, due to persisting political differences, SAARC has not had much success. SAARC members signed the South Asian Free Trade (SAFTA) agreement which promised the formation of a free trade zone for the whole of South Asia.

The SAFTA agreement was signed in 2004 and came into effect on 1 January 2006. India thinks that there are real economic benefits for all SAFTA. Some in India think that SAFTA is not worth the trouble since India already has bilateral agreements with Bhutan, Nepal and Shri Lanka.

What statement is correct about SAARC

1. SAARC began in 1986
2. SAARC is an association of East Asian Nations
3. SAARC members signed South Asian Free Trade (SAFTA) Agreement
4. SAARC is a highly successful regional organisation

**Options :**

485584137581. 1

485584137582. 2

485584137583. 3

485584137584. 4

**Question Number : 342 Question Id : 48558434397 Question Type : MCQ Option Shuffling : No Is Question Mandatory : No Calculator : None Response Time : N.A Think Time : N.A Minimum Instruction Time : 0**

**Correct Marks : 5 Wrong Marks : 1**

**Question Key Details :**

| Key           | Value |
|---------------|-------|
| Comprehension | Comp1 |

Read the passage given below to answer

In spite of the many conflicts, the states of South Asia recognize the importance of cooperation and friendly relationship among themselves. The South Asian association for regional Cooperation (SAARC) is a major regional initiative by the South Asian states to evolve cooperation through multilateral means. It began in 1985. Unfortunately, due to persisting political differences, SAARC has not had much success. SAARC members signed the South Asian Free Trade (SAFTA) agreement which promised the formation of a free trade zone for the whole of South Asia.

The SAFTA agreement was signed in 2004 and came into effect on 1 January 2006. India thinks that there are real economic benefits for all SAFTA. Some in India think that SAFTA is not worth the trouble since India already has bilateral agreements with Bhutan, Nepal and Shri Lanka.

State the years correctly when the agreement SAFTA was signed and came into effect:-

1. 2006 and 2007
2. 2004 and 2005
3. 2004 and 2006
4. 2008 and 2009

**Options :**

485584137585. 1  
485584137586. 2  
485584137587. 3  
485584137588. 4

**Question Number : 343 Question Id : 48558434398 Question Type : MCQ Option Shuffling : No Is Question Mandatory : No Calculator : None Response Time : N.A Think Time : N.A Minimum Instruction Time : 0**

**Correct Marks : 5 Wrong Marks : 1**

**Question Key Details :**

| Key           | Value |
|---------------|-------|
| Comprehension | Comp1 |

Read the passage given below to answer

In spite of the many conflicts, the states of South Asia recognize the importance of cooperation and friendly relationship among themselves. The South Asian association for regional Cooperation (SAARC) is a major regional initiative by the South Asian states to evolve cooperation through multilateral means. It began in 1985. Unfortunately, due to persisting political differences, SAARC has not had much success. SAARC members signed the South Asian Free Trade (SAFTA) agreement which promised the formation of a free trade zone for the whole of South Asia.

The SAFTA agreement was signed in 2004 and came into effect on 1 January 2006. India thinks that there are real economic benefits for all SAFTA. Some in India think that SAFTA is not worth the trouble since India already has bilateral agreements with Bhutan, Nepal and Shri Lanka.

Complete the following:

SAARC has been evolved for cooperation through which of the following means

1. Multilateral
2. Bilateral
3. Unilateral
4. Tripartite

**Options :**

485584137589. 1  
485584137590. 2  
485584137591. 3  
485584137592. 4

**Question Number : 344 Question Id : 48558434399 Question Type : MCQ Option Shuffling : No Is Question Mandatory : No Calculator : None Response Time : N.A Think Time : N.A Minimum Instruction Time : 0**

**Correct Marks : 5 Wrong Marks : 1**

**Question Key Details :**

| Key           | Value |
|---------------|-------|
| Comprehension | Comp1 |

Read the passage given below to answer

In spite of the many conflicts, the states of South Asia recognize the importance of cooperation and friendly relationship among themselves. The South Asian association for regional Cooperation (SAARC) is a major regional initiative by the South Asian states to evolve cooperation through multilateral means. It began in 1985. Unfortunately, due to persisting political differences, SAARC has not had much success. SAARC members signed the South Asian Free Trade (SAFTA) agreement which promised the formation of a free trade zone for the whole of South Asia.

The SAFTA agreement was signed in 2004 and came into effect on 1 January 2006. India thinks that there are real economic benefits for all SAFTA. Some in India think that SAFTA is not worth the trouble since India already has bilateral agreements with Bhutan, Nepal and Shri Lanka.

The full form of SAARC is

1. South Asian Amalgamation for Regional Cooperation
2. South Asian Association for Regional Cooperation
3. South African Association for Regional Cooperation
4. South Asian Association for Research and Cooperation

**Options :**

485584137593. 1  
485584137594. 2  
485584137595. 3  
485584137596. 4

**Question Number : 345 Question Id : 48558434400 Question Type : MCQ Option Shuffling : No Is Question Mandatory : No Calculator : None Response Time : N.A Think Time : N.A Minimum Instruction Time : 0**

**Correct Marks : 5 Wrong Marks : 1**

**Question Key Details :**

| Key           | Value |
|---------------|-------|
| Comprehension | Comp1 |

Read the passage given below to answer

In spite of the many conflicts, the states of South Asia recognize the importance of cooperation and friendly relationship among themselves. The South Asian association for regional Cooperation (SAARC) is a major regional initiative by the South Asian states to evolve cooperation through multilateral means. It began in 1985. Unfortunately, due to persisting political differences, SAARC has not had much success. SAARC members signed the South Asian Free Trade (SAFTA) agreement which promised the formation of a free trade zone for the whole of South Asia.

The SAFTA agreement was signed in 2004 and came into effect on 1 January 2006. India thinks that there are real economic benefits for all SAFTA. Some in India think that SAFTA is not worth the trouble since India already has bilateral agreements with Bhutan, Nepal and Shri Lanka.

The following agreement promised the formation of a free trade zone for the whole of South Asia

1. WTO
2. BAFTA
3. SAARC
4. SAFTA

**Options :**

- 485584137597. 1
- 485584137598. 2
- 485584137599. 3
- 485584137600. 4

**Sub-Section Number :** 3  
**Sub-Section Id :** 4855842547  
**Question Shuffling Allowed :** No  
**Is Section Default? :** null

**Question Number : 346 Question Id : 48558434401 Question Type : MCQ Option Shuffling : No Is Question Mandatory : No Calculator : None Response Time : N.A Think Time : N.A Minimum Instruction Time : 0**

**Correct Marks : 5 Wrong Marks : 1**

**Question Key Details :**

| Key           | Value |
|---------------|-------|
| Comprehension | Comp2 |



Globalisation is a multi-dimensional concept. It has political, economic and cultural manifestations, and these must be adequately distinguished. The impact of globalisation is vastly uneven. It affects some societies more than others. It is important to avoid drawing general conclusions about the impact of globalisation without paying sufficient attention to specific contexts. Globalisation as a concept fundamentally deals with flows. These flows could be of various kinds- ideas moving from one part of the world to another, capital shunted between two or more places, commodities being traded across borders, and people moving in search of better livelihoods to different parts of the world.

Globalisation is a most dimensional concept because it deals with:

1. Political, economic, cultural etc aspects.
2. Democratic countries only
3. Economic Aspect
4. MNC's

**Options :**

- 485584137601. 1
- 485584137602. 2
- 485584137603. 3
- 485584137604. 4

**Question Number : 347 Question Id : 48558434402 Question Type : MCQ Option Shuffling : No Is Question Mandatory : No Calculator : None Response Time : N.A Think Time : N.A Minimum Instruction Time : 0**

**Correct Marks : 5 Wrong Marks : 1**

**Question Key Details :**

| Key           | Value |
|---------------|-------|
| Comprehension | Comp2 |

Globalisation is a multi-dimensional concept. It has political, economic and cultural manifestations, and these must be adequately distinguished. The impact of globalisation is vastly uneven. It affects some societies more than others. It is important to avoid drawing general conclusions about the impact of globalisation without paying sufficient attention to specific contexts. Globalisation as a concept fundamentally deals with flows. These flows could be of various kinds- ideas moving from one part of the world to another, capital shunted between two or more places, commodities being traded across borders, and people moving in search of better livelihoods to different parts of the world.

It is important to avoid a general conclusion about Globalisation because:-

1. It's impact will vary due to different contexts.
2. There are different winds of Globalisation.
3. It is not a world-wide phenomenon.
4. Only the developed world is involved.

**Options :**

- 485584137605. 1
- 485584137606. 2

485584137607. 3

485584137608. 4

**Question Number : 348 Question Id : 48558434403 Question Type : MCQ Option Shuffling : No Is Question Mandatory : No Calculator : None Response Time : N.A Think Time : N.A Minimum Instruction Time : 0**

**Correct Marks : 5 Wrong Marks : 1**

**Question Key Details :**

| Key           | Value |
|---------------|-------|
| Comprehension | Comp2 |

Globalisation is a multi-dimensional concept. It has political, economic and cultural manifestations, and these must be adequately distinguished. The impact of globalisation is vastly uneven. It affects some societies more than others. It is important to avoid drawing general conclusions about the impact of globalisation without paying sufficient attention to specific contexts. Globalisation as a concept fundamentally deals with flows. These flows could be of various kinds- ideas moving from one part of the world to another, capital shunted between two or more places, commodities being traded across borders, and people moving in search of better livelihoods to different parts of the world.

The process of Globalisation

- A. affects almost every society.
- B. involves flow of various kinds.
- C. Does not deal with Individual.
- D. Wherein commodities cannot be traded across borders.
- E. impact varies on the basis of context.

Choose the correct answer from the options given below:

- 1. A, B, C only
- 2. A, B, E only
- 3. B, C, E only
- 4. A, D, E only

**Options :**

485584137609. 1

485584137610. 2

485584137611. 3

485584137612. 4

**Question Number : 349 Question Id : 48558434404 Question Type : MCQ Option Shuffling : No Is Question Mandatory : No Calculator : None Response Time : N.A Think Time : N.A Minimum Instruction Time : 0**

**Correct Marks : 5 Wrong Marks : 1**

**Question Key Details :**

| Key           | Value |
|---------------|-------|
| Comprehension | Comp2 |

Globalisation is a multi-dimensional concept. It has political, economic and cultural manifestations, and these must be adequately distinguished. The impact of globalisation is vastly uneven. It affects some societies more than others. It is important to avoid drawing general conclusions about the impact of globalisation without paying sufficient attention to specific contexts. Globalisation as a concept fundamentally deals with flows. These flows could be of various kinds- ideas moving from one part of the world to another, capital shunted between two or more places, commodities being traded across borders, and people moving in search of better livelihoods to different parts of the world.

- A. Due to Globalisation, the states become borderless.
- B. Due to Globalisation, the borders have become blurred.
- C. Due to Globalisation, borders don't get affected.
- D. Due to Globalisation, there is flow of commodities and goods.
- E. Due to Globalisation, there is flow of capital and people.

Choose the correct answer from the options given below:

- 1. A, B, D, E only
- 2. A, B, C, D only
- 3. B, C, D, E only
- 4. A, C, D, E only

**Options :**

- 485584137613. 1
- 485584137614. 2
- 485584137615. 3
- 485584137616. 4

**Question Number : 350 Question Id : 48558434405 Question Type : MCQ Option Shuffling : No Is Question Mandatory : No Calculator : None Response Time : N.A Think Time : N.A Minimum Instruction Time : 0**

**Correct Marks : 5 Wrong Marks : 1**

**Question Key Details :**

| Key           | Value |
|---------------|-------|
| Comprehension | Comp2 |

Globalisation is a multi-dimensional concept. It has political, economic and cultural manifestations, and these must be adequately distinguished. The impact of globalisation is vastly uneven. It affects some societies more than others. It is important to avoid drawing general conclusions about the impact of globalisation without paying sufficient attention to specific contexts. Globalisation as a concept fundamentally deals with flows. These flows could be of various kinds- ideas moving from one part of the world to another, capital shunted between two or more places, commodities being traded across borders, and people moving in search of better livelihoods to different parts of the world.

Choose the incorrect from the following:-

1. World Bank is an international organisation.
2. World Bank provides loan to member-countries as well as non-member countries.
3. World Bank influences the economic policy of the developing countries.
4. World Bank Works for human development, agriculture and rural development, environment protection, governance, to name a few.

**Options :**

485584137617. 1  
485584137618. 2  
485584137619. 3  
485584137620. 4

## Sanskrit Lang

|                               |            |
|-------------------------------|------------|
| Group Number :                | 13         |
| Group Id :                    | 485584780  |
| Group Maximum Duration :      | 45         |
| Group Minimum Duration :      | 45         |
| Show Attended Group? :        | No         |
| Edit Attended Group? :        | No         |
| Break time :                  | 0          |
| Group Marks :                 | 200        |
| Is this Group for Examiner? : | No         |
| Examiner permission :         | Can't View |
| Show Progress Bar? :          | No         |

## Sanskrit Lang

|  |            |
|--|------------|
| Section Id :   | 485584898  |
| Section Number :   | 1          |
| Section type :   | Online     |
| Mandatory or Optional :                                      | Mandatory  |
| Number of Questions :  | 50         |
| Number of Questions to be attempted :                        | 40         |
| Section Marks :  | 200        |
| Enable Mark as Answered Mark for Review and Clear Response : | Yes        |
| Maximum Instruction Time :                                   | 0          |
| Sub-Section Number :   | 1          |
| Sub-Section Id :   | 4855842548 |
| Question Shuffling Allowed :                                 | No         |
| Is Section Default? :  | null       |
| Sub-Section Number :   | 2          |
| Sub-Section Id :   | 4855842549 |
| Question Shuffling Allowed :                                 | No         |
| Is Section Default? :  | null       |
| Sub-Section Number :   | 3          |

**Sub-Section Id :** 4855842550  
**Question Shuffling Allowed :** No  
**Is Section Default? :** null  
**Sub-Section Number :** 4  
**Sub-Section Id :** 4855842551  
**Question Shuffling Allowed :** Yes  
**Is Section Default? :** null

## Sociology

**Group Number :** 14  
**Group Id :** 485584781  
**Group Maximum Duration :** 45  
**Group Minimum Duration :** 45  
**Show Attended Group? :** No  
**Edit Attended Group? :** No  
**Break time :** 0  
**Group Marks :** 200  
**Is this Group for Examiner? :** No  
**Examiner permission :** Cant View  
**Show Progress Bar? :** No

## Sociology

**Section Id :** 485584899  
**Section Number :** 1  
**Section type :** Online  
**Mandatory or Optional :** Mandatory  
**Number of Questions :** 50  
**Number of Questions to be attempted :** 40  
**Section Marks :** 200  
**Enable Mark as Answered Mark for Review and Clear Response :** Yes  
**Maximum Instruction Time :** 0  
**Sub-Section Number :** 1  
**Sub-Section Id :** 4855842552  
**Question Shuffling Allowed :** Yes  
**Is Section Default? :** null

**Question Number : 351 Question Id : 48558434506 Question Type : MCQ Option Shuffling : No Is Question Mandatory : No Calculator : None Response Time : N.A Think Time : N.A Minimum Instruction Time : 0**

**Correct Marks : 5 Wrong Marks : 1**

**Question Key Details :**

| Key           | Value |
|---------------|-------|
| Comprehension | MCQ   |

Wrights milla is a well known:

1. French sociologist
2. American sociologist
3. German sociologist
4. British sociologist

**Options :**

485584138021. 1  
485584138022. 2  
485584138023. 3  
485584138024. 4

**Question Number : 352 Question Id : 48558434507 Question Type : MCQ Option Shuffling : No Is Question Mandatory : No Calculator : None Response Time : N.A Think Time : N.A Minimum Instruction Time : 0**

**Correct Marks : 5 Wrong Marks : 1**

**Question Key Details :**

| Key           | Value |
|---------------|-------|
| Comprehension | MCQ   |

The concept of 'failure of entitlements has been given by:

1. Amartya Sen
2. Emile Durkheim
3. Abhijit Banerjee
4. Thomas Robert Malthus

**Options :**

485584138025. 1  
485584138026. 2  
485584138027. 3  
485584138028. 4

**Question Number : 353 Question Id : 48558434508 Question Type : MCQ Option Shuffling : No Is Question Mandatory : No Calculator : None Response Time : N.A Think Time : N.A Minimum Instruction Time : 0**

**Correct Marks : 5 Wrong Marks : 1**

**Question Key Details :**

| Key           | Value |
|---------------|-------|
| Comprehension | MCQ   |

A systematic study of population is called

1. Polygraphy
2. Sesmiography
3. Oceanography
4. Demography

**Options :**

485584138029. 1  
485584138030. 2  
485584138031. 3  
485584138032. 4

**Question Number : 354 Question Id : 48558434509 Question Type : MCQ Option Shuffling : No Is Question Mandatory : No Calculator : None Response Time : N.A Think Time : N.A Minimum Instruction Time : 0**

**Correct Marks : 5 Wrong Marks : 1**

**Question Key Details :**

| Key           | Value |
|---------------|-------|
| Comprehension | MCQ   |

Match List I with List II

| LIST I |                      | LIST II |  |
|--------|----------------------|---------|--|
| A.     | Population momentum  | I.      | Voluntary action to reduce population growth         |
| B.     | Demographic Divident | II.     | Large cohort of women at reproduct age               |
| C.     | Population pyramid   | III.    | Group data in term of gender and age                 |
| D.     | Preventive check     | IV.     | Higher population of workers compared to non-workers |

Choose the correct answer from the options given below:

1. A-III, B-I, C-IV, D-II
2. A-II, B-IV, C-III, D-I
3. A-I, B-III, C-II, D-IV
4. A-IV, B-II, C-I, D-III

**Options :**

485584138033. 1  
485584138034. 2  
485584138035. 3  
485584138036. 4

**Question Number : 355 Question Id : 48558434510 Question Type : MCQ Option Shuffling : No Is Question Mandatory : No Calculator : None Response Time : N.A Think Time : N.A Minimum Instruction Time : 0**

Correct Marks : 5 Wrong Marks : 1

Question Key Details :

| Key           | Value |
|---------------|-------|
| Comprehension | MCQ   |

Match List I with List II

| LIST I |                          | LIST II |             |
|--------|--------------------------|---------|-------------|
| A.     | Welth of Nation          | I.      | Mask Weber  |
| B.     | Capitalism               | II.     | Alfred Gell |
| C.     | Status symbol            | III.    | Adam Smith  |
| D.     | Heirarchial social group | IV.     | Karl Mark   |

Choose the correct answer from the options given below:

1. A-III, B-I, C-II, D-IV
2. A-III, B-II, C-I, D-IV
3. A-III, B-IV, C-I, D-II
4. A-III, B-I, C-IV, D-II

Options :

- 485584138037. 1
- 485584138038. 2
- 485584138039. 3
- 485584138040. 4

Question Number : 356 Question Id : 48558434511 Question Type : MCQ Option Shuffling : No Is Question Mandatory : No Calculator : None Response Time : N.A Think Time : N.A Minimum Instruction Time : 0

Correct Marks : 5 Wrong Marks : 1

Question Key Details :

| Key           | Value |
|---------------|-------|
| Comprehension | MCQ   |

The criteria for inclusion in civil society is that the organisation should lie:

1. Commercial
2. State controlled
3. Non-State controlled
4. Profit making

Options :

- 485584138041. 1
- 485584138042. 2
- 485584138043. 3
- 485584138044. 4



**Question Number : 357 Question Id : 48558434512 Question Type : MCQ Option Shuffling : No Is Question Mandatory : No Calculator : None Response Time : N.A Think Time : N.A Minimum Instruction Time : 0**

**Correct Marks : 5 Wrong Marks : 1**

**Question Key Details :**

| Key           | Value |
|---------------|-------|
| Comprehension | MCQ   |

Match List I with List II

| LIST I |   | LIST II |      |
|--------|---|---------|------|
| A.     | Kaka Kalelkar commission                    | I.      | 1990 |
| B.     | Brahmo Samaj                                | II.     | 1828 |
| C.     | Karachi session of Indian National Congress | III.    | 1953 |
| D.     | B.P.Mandal commission                       | IV.     | 1931 |

Choose the correct answer from the options given below:

1. A-III, B-II, C-IV, D-I
2. A-IV, B-III, C-II, D-I
3. A-II, B-III, C-I, D-IV
4. A-I, B-II, C-III, D-IV

**Options :**

- 485584138045. 1
- 485584138046. 2
- 485584138047. 3
- 485584138048. 4

**Question Number : 358 Question Id : 48558434513 Question Type : MCQ Option Shuffling : No Is Question Mandatory : No Calculator : None Response Time : N.A Think Time : N.A Minimum Instruction Time : 0**

**Correct Marks : 5 Wrong Marks : 1**

**Question Key Details :**

| Key           | Value |
|---------------|-------|
| Comprehension | MCQ   |

Arrange the following statement in correct sequence of events

- A. Effort to re-organise into Ethnic-Linguistic states
- B. Indian state continued with British-Indian arrangement of presidency
- C. Vigorous movements among Maratha and Kannada speakers in Bombay and Madras presidencies
- D. Pakistan was divided between Urdu and Punjabi speakers in the west and Bengali speakers in the east
- E. Formation of SRC for final approval on Linguistic states

Choose the correct answer from the option given below:

- 1. A, B, E, C, D
- 2. B, A, C, E, D
- 3. B, C, A, E, D
- 4. A, D, C, E, B

**Options :**

- 485584138049. 1
- 485584138050. 2
- 485584138051. 3
- 485584138052. 4

**Question Number : 359 Question Id : 48558434514 Question Type : MCQ Option Shuffling : No Is Question Mandatory : No Calculator : None Response Time : N.A Think Time : N.A Minimum Instruction Time : 0**

**Correct Marks : 5 Wrong Marks : 1**

**Question Key Details :**

| Key           | Value |
|---------------|-------|
| Comprehension | MCQ   |

The most infamous pandemic was 'Spanish flue' which occurred in the year-

- 1. 2020
- 2. 1957
- 3. 1918
- 4. 1947\

**Options :**

- 485584138053. 1
- 485584138054. 2
- 485584138055. 3
- 485584138056. 4

**Question Number : 360 Question Id : 48558434515 Question Type : MCQ Option Shuffling : No Is Question Mandatory : No Calculator : None Response Time : N.A Think Time : N.A Minimum Instruction Time : 0**

**Correct Marks : 5 Wrong Marks : 1**

**Question Key Details :**

| Key           | Value |
|---------------|-------|
| Comprehension | MCQ   |

Which article of the constitution of India states the following

"No citizen shall be denied admission into any educational institution, maintained by the state or received out of state funds on grounds only of religion, race, caste, language or any of them"

1. Article 29(1)
2. Article 29(2)
3. Article 30(1)
4. Article 30(2)

**Options :**

- 485584138057. 1
- 485584138058. 2
- 485584138059. 3
- 485584138060. 4

**Question Number : 361 Question Id : 48558434516 Question Type : MCQ Option Shuffling : No Is Question Mandatory : No Calculator : None Response Time : N.A Think Time : N.A Minimum Instruction Time : 0**

**Correct Marks : 5 Wrong Marks : 1**

**Question Key Details :**

| Key           | Value |
|---------------|-------|
| Comprehension | MCQ   |

Who considered exclusive nationalism to be an evil?

1. J.Nehru
2. R. Tagor
3. B.R. Ambedkar
4. Bhagat Singh

**Options :**

- 485584138061. 1
- 485584138062. 2
- 485584138063. 3
- 485584138064. 4

**Question Number : 362 Question Id : 48558434517 Question Type : MCQ Option Shuffling : No Is Question Mandatory : No Calculator : None Response Time : N.A Think Time : N.A Minimum Instruction Time : 0**

**Correct Marks : 5 Wrong Marks : 1**

**Question Key Details :**

| Key           | Value |
|---------------|-------|
| Comprehension | MCQ   |

Match List I with List II

| LIST I |                                  | LIST II |  |
|--------|----------------------------------|---------|--|
| A.     | Zamindari System                 | I.      | Benami transfer  |
| B.     | Rayatwari System                 | II.     | Radical restructuring of agrarian structure in Kerala+Bengal |
| C.     | Tenancy abolition and regulation | III.    | Less burden of taxation, more proporsion                     |
| D.     | Land Ceiling                     | IV.     | Agricultural product stagnated/deliver                       |

Choose the correct answer from the options given below:

1. A-III, B-I, C-IV, D-II
2. A-IV, B-II, C-I, D-III
3. A-I, B-II, C-III, D-IV
4. A-IV, B-III, C-II, D-I

**Options :**

485584138065. 1  
485584138066. 2  
485584138067. 3  
485584138068. 4

**Question Number : 363 Question Id : 48558434518 Question Type : MCQ Option Shuffling : No Is Question Mandatory : No Calculator : None Response Time : N.A Think Time : N.A Minimum Instruction Time : 0**

**Correct Marks : 5 Wrong Marks : 1**

**Question Key Details :**

| Key           | Value |
|---------------|-------|
| Comprehension | MCQ   |

Strike out incorrect statement about Panchayati Raj:-

1. Panchayati Raj translates to "Governance by five individuals"
2. At the base of the structure stands "Gram Sabha"
3. The 74<sup>th</sup> Amanedment provided a three-tier system of Panchayati Raj
4. Election to these bodies are conducted every five years.

**Options :**

485584138069. 1  
485584138070. 2  
485584138071. 3  
485584138072. 4

**Question Number : 364 Question Id : 48558434519 Question Type : MCQ Option Shuffling : No Is Question Mandatory : No Calculator : None Response Time : N.A Think Time : N.A Minimum Instruction Time : 0**

**Correct Marks : 5 Wrong Marks : 1**

**Question Key Details :**

| Key           | Value |
|---------------|-------|
| Comprehension | MCQ   |

Read the statements given below and choose the option with the correct sequence of events:

- A. Green revolution introduced in the dry and the semi-arid regions of India 2<sup>nd</sup> phase
- B. New technology introduced
- C. Displacement of service caste groups.
- D. Increasing Commercialisation

Choose the correct answer from the option given below:

- 1. A, B, C, D
- 2. B, C, A, D
- 3. D, C, A, B
- 4. B, C, D, A

**Options :**

- 485584138073. 1
- 485584138074. 2
- 485584138075. 3
- 485584138076. 4

**Question Number : 365 Question Id : 48558434520 Question Type : MCQ Option Shuffling : No Is Question Mandatory : No Calculator : None Response Time : N.A Think Time : N.A Minimum Instruction Time : 0**

**Correct Marks : 5 Wrong Marks : 1**

**Question Key Details :**

| Key           | Value |
|---------------|-------|
| Comprehension | MCQ   |

Extended working hours are Legitimesed by the common management, Which in theory, gives the employee freedom to choose his/her working hours. Give the common nomenclature of this process.

- 1. Own-Time
- 2. Flexi-Time
- 3. Me-Time
- 4. Work-From-Home-Time

**Options :**

- 485584138077. 1
- 485584138078. 2
- 485584138079. 3
- 485584138080. 4

**Question Number : 366 Question Id : 48558434521 Question Type : MCQ Option Shuffling : No Is Question Mandatory : No Calculator : None Response Time : N.A Think Time : N.A Minimum Instruction Time : 0**

**Correct Marks : 5 Wrong Marks : 1**

**Question Key Details :**

| Key           | Value |
|---------------|-------|
| Comprehension | MCQ   |

Disinvestment means:

1. Svaging in the bank
2. Privatisation of public sector or Government companies
3. Open market for global citizens
4. Acquiring small and medium industries

**Options :**

- 485584138081. 1
- 485584138082. 2
- 485584138083. 3
- 485584138084. 4

**Question Number : 367 Question Id : 48558434522 Question Type : MCQ Option Shuffling : No Is Question Mandatory : No Calculator : None Response Time : N.A Think Time : N.A Minimum Instruction Time : 0**

**Correct Marks : 5 Wrong Marks : 1**

**Question Key Details :**

| Key           | Value |
|---------------|-------|
| Comprehension | MCQ   |

Arrange the following process in chronological order:

- A. Manufacturer branding and selling
- B. Workers rolling the leaves
- C. Plucking of tendu leaves
- D. Selling tendu leaves by contractor to government
- E. Auctions leaves of factory owners

Choose the correct answer from the options given below:

1. C, D, E, B, A
2. C, D, E, A, B
3. C, D, B, A, E
4. C, D, A, E, B

**Options :**

- 485584138085. 1
- 485584138086. 2
- 485584138087. 3
- 485584138088. 4

Question Number : 368 Question Id : 48558434523 Question Type : MCQ Option Shuffling : No Is Question Mandatory : No Calculator : None Response Time : N.A Think Time : N.A Minimum Instruction Time : 0

Correct Marks : 5 Wrong Marks : 1

Question Key Details :

| Key           | Value |
|---------------|-------|
| Comprehension | MCQ   |

Who has argued nation as an imagined community?

1. J. Gutenleerg
2. Raja Rammohan Roy
3. Vidyasagar
4. Benedict Anderson

Options :

485584138089. 1  
485584138090. 2  
485584138091. 3  
485584138092. 4

Question Number : 369 Question Id : 48558434524 Question Type : MCQ Option Shuffling : No Is Question Mandatory : No Calculator : None Response Time : N.A Think Time : N.A Minimum Instruction Time : 0

Correct Marks : 5 Wrong Marks : 1

Question Key Details :

| Key           | Value |
|---------------|-------|
| Comprehension | MCQ   |

Match List I with List II

| LIST I         |                    | LIST II  |                          |
|----------------|--------------------|----------|--------------------------|
| Nature of work |                    | Industry |                          |
| A.             | Working conditions | I.       | Bidi making, zari making |
| B.             | Recruitment        | II.      | The mines Act 1952       |
| C.             | Management         | III.     | Jobless                  |
| D.             | Home based work    | IV.      | Taylorism                |

Choose the correct answer from the options given below:

1. A-I, B-II, C-III, D-IV
2. A-III, B-IV, C-I, D-II
3. A-IV, B-I, C-II, D-III
4. A-II, B-III, C-IV, D-I

Options :

485584138093. 1  
485584138094. 2  
485584138095. 3

**Question Number : 370 Question Id : 48558434525 Question Type : MCQ Option Shuffling : No Is Question Mandatory : No Calculator : None Response Time : N.A Think Time : N.A Minimum Instruction Time : 0**

**Correct Marks : 5 Wrong Marks : 1**

**Question Key Details :**

| Key           | Value |
|---------------|-------|
| Comprehension | MCQ   |

bidi workers are:

- A. Workers who substitute for regular permanent workers.
- B. Contract workers.
- C. Permanent workers.
- D. Workers who receive equal status and security like permanent workers

Choose the correct answer from the options given below:

- 1. C, D Only
- 2. A, B Only
- 3. A, D Only
- 4. B, D Only

**Options :**

- 485584138097. 1
- 485584138098. 2
- 485584138099. 3
- 485584138100. 4

**Question Number : 371 Question Id : 48558434526 Question Type : MCQ Option Shuffling : No Is Question Mandatory : No Calculator : None Response Time : N.A Think Time : N.A Minimum Instruction Time : 0**

**Correct Marks : 5 Wrong Marks : 1**

**Question Key Details :**

| Key           | Value |
|---------------|-------|
| Comprehension | MCQ   |



The critics of Malthosian theory argued that poverty and Starvation were caused by

- A. Unequal distribution of economic resources
- B. Population growth
- C. injust social system
- D. Privileged minority

Choose the correct answer from the options given below:

- 1. B & D Only
- 2. B & C Only
- 3. A & C Only
- 4. A & B Only

**Options :**

- 485584138101. 1
- 485584138102. 2
- 485584138103. 3
- 485584138104. 4

**Question Number : 372 Question Id : 48558434527 Question Type : MCQ Option Shuffling : No Is Question Mandatory : No Calculator : None Response Time : N.A Think Time : N.A Minimum Instruction Time : 0**

**Correct Marks : 5 Wrong Marks : 1**

**Question Key Details :**

| Key           | Value |
|---------------|-------|
| Comprehension | MCQ   |

The term used when individual are required to marry outside his/her group:

- 1. Monogamy
- 2. Polygamy
- 3. Endogamy
- 4. Exogamy

**Options :**

- 485584138105. 1
- 485584138106. 2
- 485584138107. 3
- 485584138108. 4

**Question Number : 373 Question Id : 48558434528 Question Type : MCQ Option Shuffling : No Is Question Mandatory : No Calculator : None Response Time : N.A Think Time : N.A Minimum Instruction Time : 0**

**Correct Marks : 5 Wrong Marks : 1**

**Question Key Details :**

| Key           | Value |
|---------------|-------|
| Comprehension | MCQ   |

Permanent traits in tribes does not include:

1. region
2. Religion
3. language
4. Ecological Habit

**Options :**

- 485584138109. 1
- 485584138110. 2
- 485584138111. 3
- 485584138112. 4

**Question Number : 374 Question Id : 48558434529 Question Type : MCQ Option Shuffling : No Is Question Mandatory : No Calculator : None Response Time : N.A Think Time : N.A Minimum Instruction Time : 0**

**Correct Marks : 5 Wrong Marks : 1**

**Question Key Details :**

| Key           | Value |
|---------------|-------|
| Comprehension | MCQ   |

The most common features of caste are:

- A. It involves strict rule about marriage.
- B. It involves rules about food and food sharing
- C. It is a matter of choice.
- D. Castes involved subdivisions within themselves.

Choose the correct answer from the options given below:

1. A, B & D Only
2. B, C & D Only
3. A, C & D Only
4. A, B & C Only'

**Options :**

- 485584138113. 1
- 485584138114. 2
- 485584138115. 3
- 485584138116. 4

**Question Number : 375 Question Id : 48558434530 Question Type : MCQ Option Shuffling : No Is Question Mandatory : No Calculator : None Response Time : N.A Think Time : N.A Minimum Instruction Time : 0**

**Correct Marks : 5 Wrong Marks : 1**

**Question Key Details :**

| Key           | Value |
|---------------|-------|
| Comprehension | MCQ   |

Who coined the term 'Status Symbol'?

1. T. K. Domenn
2. Levi Strauss
3. Emile Durkheim
4. Max Weber

**Options :**

- 485584138117. 1
- 485584138118. 2
- 485584138119. 3
- 485584138120. 4

**Question Number : 376 Question Id : 48558434531 Question Type : MCQ Option Shuffling : No Is Question Mandatory : No Calculator : None Response Time : N.A Think Time : N.A Minimum Instruction Time : 0**

**Correct Marks : 5 Wrong Marks : 1**

**Question Key Details :**

| Key           | Value |
|---------------|-------|
| Comprehension | MCQ   |

Which tribe is matrilineal?

1. Bakarwal
2. Khasi
3. Bhil
4. Santhal

**Options :**

- 485584138121. 1
- 485584138122. 2
- 485584138123. 3
- 485584138124. 4

**Question Number : 377 Question Id : 48558434532 Question Type : MCQ Option Shuffling : No Is Question Mandatory : No Calculator : None Response Time : N.A Think Time : N.A Minimum Instruction Time : 0**

**Correct Marks : 5 Wrong Marks : 1**

**Question Key Details :**

| Key           | Value |
|---------------|-------|
| Comprehension | MCQ   |

Indian parliamentary and Legal system is based on:

1. French Model
2. Canadian Model
3. British Model
4. Australian Model

**Options :**

- 485584138125. 1
- 485584138126. 2
- 485584138127. 3
- 485584138128. 4

**Question Number : 378 Question Id : 48558434533 Question Type : MCQ Option Shuffling : No Is Question Mandatory : No Calculator : None Response Time : N.A Think Time : N.A Minimum Instruction Time : 0**

**Correct Marks : 5 Wrong Marks : 1**

**Question Key Details :**

| Key           | Value |
|---------------|-------|
| Comprehension | MCQ   |

Social inequality and exclusion are social because

- A. They are structured
- B. They are systematic
- C. They are unstructured
- D. They are non systematic

Choose the correct answer from the options given below:

1. A & D Only
2. B & C Only
3. A & B Only
4. C & D Only

**Options :**

- 485584138129. 1
- 485584138130. 2
- 485584138131. 3
- 485584138132. 4

**Question Number : 379 Question Id : 48558434534 Question Type : MCQ Option Shuffling : No Is Question Mandatory : No Calculator : None Response Time : N.A Think Time : N.A Minimum Instruction Time : 0**

**Correct Marks : 5 Wrong Marks : 1**

**Question Key Details :**

| Key           | Value |
|---------------|-------|
| Comprehension | MCQ   |

In 1993 Supreme Court held that Right to Information is part of and incidental to The Right of expression under:

1. Article 19 (1)(A)
2. Article 17
3. Article 20 (1)(B)
4. Article 15

**Options :**

- 485584138133. 1
- 485584138134. 2
- 485584138135. 3
- 485584138136. 4

**Question Number : 380 Question Id : 48558434535 Question Type : MCQ Option Shuffling : No Is Question Mandatory : No Calculator : None Response Time : N.A Think Time : N.A Minimum Instruction Time : 0**

**Correct Marks : 5 Wrong Marks : 1**

**Question Key Details :**

| Key           | Value |
|---------------|-------|
| Comprehension | MCQ   |

Arrange the following in order of the development of Indian women's struggle for equality.

- A. Raja Rammohan Roy undertook the campaign against Sati
- B. Law became the major site for reform against violence
- C. Karachi Session of INC committed itself to women's equality
- D. Dayanand saraswati stood for women's education based on religious principles

Choose the correct answer from the options given below:

1. D, A, C, B
2. B, D, C, A
3. A, B, C, D
4. A, D, C, B

**Options :**

- 485584138137. 1
- 485584138138. 2
- 485584138139. 3
- 485584138140. 4

**Question Number : 381 Question Id : 48558434536 Question Type : MCQ Option Shuffling : No Is Question Mandatory : No Calculator : None Response Time : N.A Think Time : N.A Minimum Instruction Time : 0**

**Correct Marks : 5 Wrong Marks : 1**

**Question Key Details :**

| Key           | Value |
|---------------|-------|
| Comprehension | MCQ   |

Arrange the following in chronological sequence (from oldest to newest events)

- A. Champaran Satyagraha
- B. Bihar Provincial Kisan Sabha
- C. Deccan riots
- D. Tebhaga Movement
- E. Bardoli Satyagraha

Choose the correct answer from the options given below:

- 1. D, B, C, A, E
- 2. C, A, E, B, D
- 3. B, D, A, C, E
- 4. A, B, C, D, E

**Options :**

- 485584138141. 1
- 485584138142. 2
- 485584138143. 3
- 485584138144. 4

**Question Number : 382 Question Id : 48558434537 Question Type : MCQ Option Shuffling : No Is Question Mandatory : No Calculator : None Response Time : N.A Think Time : N.A Minimum Instruction Time : 0**

**Correct Marks : 5 Wrong Marks : 1**

**Question Key Details :**

| Key           | Value |
|---------------|-------|
| Comprehension | MCQ   |

Sanskritization is a process of

- 1. Upward mobility
- 2. Downward mobility
- 3. Intra-generational mobility
- 4. Horizontal mobility

**Options :**

- 485584138145. 1
- 485584138146. 2
- 485584138147. 3
- 485584138148. 4

**Question Number : 383 Question Id : 48558434538 Question Type : MCQ Option Shuffling : No Is Question Mandatory : No Calculator : None Response Time : N.A Think Time : N.A Minimum Instruction Time : 0**

**Correct Marks : 5 Wrong Marks : 1**

**Question Key Details :**

| Key           | Value |
|---------------|-------|
| Comprehension | MCQ   |

Out of the following which is the dominant caste in Andhra Pradesh?

1. Lingayats
2. Kammas
3. Jat
4. Sikhs

**Options :**

485584138149. 1  
485584138150. 2  
485584138151. 3  
485584138152. 4

**Question Number : 384 Question Id : 48558434539 Question Type : MCQ Option Shuffling : No Is Question Mandatory : No Calculator : None Response Time : N.A Think Time : N.A Minimum Instruction Time : 0**

**Correct Marks : 5 Wrong Marks : 1**

**Question Key Details :**

| Key           | Value |
|---------------|-------|
| Comprehension | MCQ   |

In the decocratic form of government who are the key actors?

1. Industrialists
2. Political Parties
3. People
4. NGO's

**Options :**

485584138153. 1  
485584138154. 2  
485584138155. 3  
485584138156. 4

**Question Number : 385 Question Id : 48558434540 Question Type : MCQ Option Shuffling : No Is Question Mandatory : No Calculator : None Response Time : N.A Think Time : N.A Minimum Instruction Time : 0**

**Correct Marks : 5 Wrong Marks : 1**

**Question Key Details :**

| Key           | Value |
|---------------|-------|
| Comprehension | MCQ   |

Which amendment provided a three-tier system of Panchayati Raj for all states having a population of over twenty lakh.

1. The 92nd Amendment
2. The 73<sup>rd</sup> Amendment
3. The 56<sup>th</sup> Amendment
4. The 83<sup>rd</sup> Amendment

**Options :**

- 485584138157. 1
- 485584138158. 2
- 485584138159. 3
- 485584138160. 4

**Question Number : 386 Question Id : 48558434541 Question Type : MCQ Option Shuffling : No Is Question Mandatory : No Calculator : None Response Time : N.A Think Time : N.A Minimum Instruction Time : 0**

**Correct Marks : 5 Wrong Marks : 1**

**Question Key Details :**

| Key           | Value |
|---------------|-------|
| Comprehension | MCQ   |

An economy where the workforce involved in Design, Development, Technology, Marketing, Sales and Services is known as:-

1. Knowledge economy
2. Developed economy
3. Developing
4. Electronic economy

**Options :**

- 485584138161. 1
- 485584138162. 2
- 485584138163. 3
- 485584138164. 4

**Question Number : 387 Question Id : 48558434542 Question Type : MCQ Option Shuffling : No Is Question Mandatory : No Calculator : None Response Time : N.A Think Time : N.A Minimum Instruction Time : 0**

**Correct Marks : 5 Wrong Marks : 1**

**Question Key Details :**

| Key           | Value |
|---------------|-------|
| Comprehension | MCQ   |



India's first long running soap opera was:

1. Hum log
2. Buniyaad
3. Ramayana
4. Mahabharata

**Options :**

485584138165. 1  
485584138166. 2  
485584138167. 3  
485584138168. 4

**Question Number : 388 Question Id : 48558434543 Question Type : MCQ Option Shuffling : No Is Question Mandatory : No Calculator : None Response Time : N.A Think Time : N.A Minimum Instruction Time : 0**

**Correct Marks : 5 Wrong Marks : 1**

**Question Key Details :**

| Key           | Value |
|---------------|-------|
| Comprehension | MCQ   |

Who wrote Unquite Woods?

1. Karl Marx
2. Ramchandra Guha
3. Dipanker Gupta
4. M.N.Srinivas

**Options :**

485584138169. 1  
485584138170. 2  
485584138171. 3  
485584138172. 4

**Question Number : 389 Question Id : 48558434544 Question Type : MCQ Option Shuffling : No Is Question Mandatory : No Calculator : None Response Time : N.A Think Time : N.A Minimum Instruction Time : 0**

**Correct Marks : 5 Wrong Marks : 1**

**Question Key Details :**

| Key           | Value |
|---------------|-------|
| Comprehension | MCQ   |

Social movement is:

1. absence of any degree of organisation
2. sustained collective action
3. necessarily include a leadership
4. disorganised protest

**Options :**

485584138173. 1  
485584138174. 2  
485584138175. 3  
485584138176. 4

**Question Number : 390 Question Id : 48558434545 Question Type : MCQ Option Shuffling : No Is Question Mandatory : No Calculator : None Response Time : N.A Think Time : N.A Minimum Instruction Time : 0**

**Correct Marks : 5 Wrong Marks : 1**

**Question Key Details :**

| Key           | Value |
|---------------|-------|
| Comprehension | MCQ   |

Gender identities impact men as well. A typical man in the Indian society is expected to be the following:

1. Do household work
2. Help in child rearing
3. Strong and successful
4. Helpful and compassionate

**Options :**

485584138177. 1  
485584138178. 2  
485584138179. 3  
485584138180. 4

**Sub-Section Number :** 2  
**Sub-Section Id :** 4855842553  
**Question Shuffling Allowed :** No  
**Is Section Default? :** null

**Question Number : 391 Question Id : 48558434546 Question Type : MCQ Option Shuffling : No Is Question Mandatory : No Calculator : None Response Time : N.A Think Time : N.A Minimum Instruction Time : 0**

**Correct Marks : 5 Wrong Marks : 1**

**Question Key Details :**

| Key           | Value |
|---------------|-------|
| Comprehension | Comp1 |

Clamoring to enter India's red-hot retail sector, the world's largest chains, including WalMart Stores, Carrefour and Tesco, are seeking the best way to enter the country, despite a government ban on foreign direct investment in the market. Recent large investment by major Indian businesses, like Reliance Industries and Bharat Airtel, have increased the sense of urgency for foreign retailers..... Last week Bharat Airtel indicated that it was in talks with Wal-Mart, Carrefour and Tesco to set up a joint venture .... India's retails sector is attractive

not only because of its fast growth, but because family-run street corner stores have 97 % of the nation's business. But this industry trait is precisely why the government makes it hard for foreigners to enter the market. Politicians frequently argue that global retailers would destroy thousands of small local players and fledgling domestic chains.

The government is trying to sell its share in several public sector companies, a process which is known as \_\_\_\_\_

1. Foreign investment
2. De investment
3. Dis investment
4. Retail therapy

**Options :**

- 485584138181. 1
- 485584138182. 2
- 485584138183. 3
- 485584138184. 4

**Question Number : 392 Question Id : 48558434547 Question Type : MCQ Option Shuffling : No Is Question Mandatory : No Calculator : None Response Time : N.A Think Time : N.A Minimum Instruction Time : 0**

**Correct Marks : 5 Wrong Marks : 1**

**Question Key Details :**

| Key           | Value |
|---------------|-------|
| Comprehension | Comp1 |

Clamoring to enter India's red-hot retail sector, the world's largest chains, including WalMart Stores, Carrefour and Tesco, are seeking the best way to enter the country, despite a government ban on foreign direct investment in the market. Recent large investment by major Indian businesses, like Reliance Industries and Bharat Airtel, have increased the sense of urgency for foreign retailers..... Last week Bharat Airtel indicated that it was in talks with Wal-Mart, Carrefour and Tesco to set up a joint venture .... India's retails sector is attractive

not only because of its fast growth, but because family-run street corner stores have 97 % of the nation's business. But this industry trait is precisely why the government makes it hard for foreigners to enter the market. Politicians frequently argue that global retailers would destroy thousands of small local players and fledgling domestic chains.

Due to globalisation, MNCs are outsourcing work to developing countries because:

1. Most MNC are headed by people from developing countries like India
2. The International Monetary Fund and World Trade Organisation makes it mandatory
3. Labour is skilled
4. Labour is cheaper in developing countries which will yield bigger profits for the MNCs

**Options :**

- 485584138185. 1
- 485584138186. 2
- 485584138187. 3
- 485584138188. 4

**Question Number : 393 Question Id : 48558434548 Question Type : MCQ Option Shuffling : No Is Question Mandatory : No Calculator : None Response Time : N.A Think Time : N.A Minimum Instruction Time : 0**

**Correct Marks : 5 Wrong Marks : 1**

**Question Key Details :**

| Key           | Value |
|---------------|-------|
| Comprehension | Comp1 |

Clamoring to enter India's red-hot retail sector, the world's largest chains, including WalMart Stores, Carrefour and Tesco, are seeking the best way to enter the country, despite a government ban on foreign direct investment in the market. Recent large investment by major Indian businesses, like Reliance Industries and Bharat Airtel, have increased the sense of urgency for foreign retailers..... Last week Bharat Airtel indicated that it was in talks with Wal-Mart, Carrefour and Tesco to set up a joint venture .... India's retail sector is attractive not only because of its fast growth, but because family-run street corner stores have 97 % of the nation's business. But this industry trait is precisely why the government makes it hard for foreigners to enter the market. Politicians frequently argue that global retailers would destroy thousands of small local players and fledgling domestic chains.

India's retail sector is attractive not only because of its fast growth, but because family run street cover. Stores have a large share of the market. Identify the share of the family run cover business in retail sector.

1. 59%
2. 97%
3. 79%
4. 90%

**Options :**

- 485584138189. 1
- 485584138190. 2
- 485584138191. 3
- 485584138192. 4

**Question Number : 394 Question Id : 48558434549 Question Type : MCQ Option Shuffling : No Is Question Mandatory : No Calculator : None Response Time : N.A Think Time : N.A Minimum Instruction Time : 0**

**Correct Marks : 5 Wrong Marks : 1**

**Question Key Details :**

| Key           | Value |
|---------------|-------|
| Comprehension | Comp1 |

Clamoring to enter India's red-hot retail sector, the world's largest chains, including WalMart Stores, Carrefour and Tesco, are seeking the best way to enter the country, despite a government ban on foreign direct investment in the market. Recent large investment by major Indian businesses, like Reliance Industries and Bharat Airtel, have increased the sense of urgency for foreign retailers..... Last week Bharat Airtel indicated that it was in talks with Wal-Mart, Carrefour and Tesco to set up a joint venture .... India's retails sector is attractive not only because of its fast growth, but because family-run street corner stores have 97 % of the nation's business. But this industry trait is precisely why the government makes it hard for foreigners to enter the market. Politicians frequently argue that global retailers would destroy thousands of small local players and fledgling domestic chains.

Parle drinks bring bought by Coca Cola in an example of

1. Liberealization
2. De-Monetisation
3. Globalization
4. Acquisition

**Options :**

- 485584138193. 1
- 485584138194. 2
- 485584138195. 3
- 485584138196. 4

**Question Number : 395 Question Id : 48558434550 Question Type : MCQ Option Shuffling : No Is Question Mandatory : No Calculator : None Response Time : N.A Think Time : N.A Minimum Instruction Time : 0**

**Correct Marks : 5 Wrong Marks : 1**

**Question Key Details :**

| Key           | Value |
|---------------|-------|
| Comprehension | Comp1 |

Clamoring to enter India's red-hot retail sector, the world's largest chains, including WalMart Stores, Carrefour and Tesco, are seeking the best way to enter the country, despite a government ban on foreign direct investment in the market. Recent large investment by major Indian businesses, like Reliance Industries and Bharat Airtel, have increased the sense of urgency for foreign retailers..... Last week Bharat Airtel indicated that it was in talks with Wal-Mart, Carrefour and Tesco to set up a joint venture .... India's retails sector is attractive not only because of its fast growth, but because family-run street corner stores have 97 % of the nation's business. But this industry trait is precisely why the government makes it hard for foreigners to enter the market. Politicians frequently argue that global retailers would destroy thousands of small local players and fledgling domestic chains.

Identify the world's largest MNC in retail market

1. Wal - Mart stores
2. Pepsico
3. Relaince- Industries
4. Amazon

**Options :**

- 485584138197. 1
- 485584138198. 2
- 485584138199. 3
- 485584138200. 4

**Sub-Section Number :** 3  
**Sub-Section Id :** 4855842554  
**Question Shuffling Allowed :** No  
**Is Section Default? :** null

**Question Number : 396 Question Id : 48558434551 Question Type : MCQ Option Shuffling : No Is Question Mandatory : No Calculator : None Response Time : N.A Think Time : N.A Minimum Instruction Time : 0**

**Correct Marks : 5 Wrong Marks : 1**

**Question Key Details :**

| Key           | Value |
|---------------|-------|
| Comprehension | Comp2 |

Read the following passage and answer question based on the concept.

Considered from an, urban point of view. The rapid growth in urbanization shows that the town or city has been acting as a magnet for the rural population. Those who cannot find work (or sufficient work) in the rural areas go to the city in search of work. This flow of rural-to-urban migration has also been accelerated by the continuous decline of common property resources like ponds, forests and grazing land. These common resources enabled poor people to survive in the villages although they owned little or no land. Now, these resources have been turned into private property, or they are exhausted. (Ponds may run dry no longer provide enough fish; forests may have been cut down and have vanished...). If people no longer have access to these resources, but on the other hand have to buy many things in the market that they used to get free (like fuel, fodder or supplementary food items). Then their hardship increases. This hardship is worsened by the fact that opportunities for cash income are limited in the villages.

Identify how is Mass Media contributing to urbanization?

1. By controlling the product market
2. By streaming the image of urban life styles and patterns of consumption to rural people
3. By changing the views of rural people
4. By providing employment

**Options :**

- 485584138201. 1
- 485584138202. 2
- 485584138203. 3

**Question Number : 397 Question Id : 48558434552 Question Type : MCQ Option Shuffling : No Is Question Mandatory : No Calculator : None Response Time : N.A Think Time : N.A Minimum Instruction Time : 0**

**Correct Marks : 5 Wrong Marks : 1**

**Question Key Details :**

| Key           | Value |
|---------------|-------|
| Comprehension | Comp2 |

Read the following passage and answer question based on the concept.

Considered from an, urban point of view. The rapid growth in urbanization shows that the town or city has been acting as a magnet for the rural population. Those who cannot find work (or sufficient work) in the rural areas go to the city in search of work. This flow of rural-to-urban migration has also been accelerated by the continuous decline of common property resources like ponds, forests and grazing land. These common resources enabled poor people to survive in the villages although they owned little or no land. Now, these resources have been turned into private property, or they are exhausted. (Ponds may run dry no longer provide enough fish; forests may have been cut down and have vanished...). If people no longer have access to these resources, but on the other hand have to buy many things in the market that they used to get free (like fuel, fodder or supplementary food items). Then their hardship increases. This hardship is worsened by the fact that opportunities for cash income are limited in the villages.

"There is a selective in the common property resources in the village trading to migration in that are these common property resources?"

1. Agricultural land
2. Ponds, forests and grazing land
3. Agricultural Implements
4. Friends and relatives

**Options :**

485584138205. 1  
 485584138206. 2  
 485584138207. 3  
 485584138208. 4

**Question Number : 398 Question Id : 48558434553 Question Type : MCQ Option Shuffling : No Is Question Mandatory : No Calculator : None Response Time : N.A Think Time : N.A Minimum Instruction Time : 0**

**Correct Marks : 5 Wrong Marks : 1**

**Question Key Details :**

| Key           | Value |
|---------------|-------|
| Comprehension | Comp2 |

Read the following passage and answer question based on the concept.

Considered from an, urban point of view. The rapid growth in urbanization shows that the town or city has been acting as a magnet for the rural population. Those who cannot find work (or sufficient work) in the rural areas go to the city in search of work. This flow of rural-to-urban migration has also been accelerated by the continuous decline of common property resources like ponds, forests and grazing land. These common resources enabled poor people to survive in the villages although they owned little or no land. Now, these resources have been turned into private property, or they are exhausted. (Ponds may run dry no longer provide enough fish; forests may have been cut down and have vanished...). If people no longer have access to these resources, but on the other hand have to buy many things in the market that they used to get free (like fuel, fodder or supplementary food items). Then their hardship increases. This hardship is worsened by the fact that opportunities for cash income are limited in the villages.

Urbanisation is not just impacting the number of people migration to urban areas, but also impacting:

1. Increased interaction of urban people
2. Increased resources for rural people left behind
3. Decline in socio- economic significances of agrarian way of life
4. Increased resources of urban people

**Options :**

- 485584138209. 1
- 485584138210. 2
- 485584138211. 3
- 485584138212. 4

**Question Number : 399 Question Id : 48558434554 Question Type : MCQ Option Shuffling : No Is Question Mandatory : No Calculator : None Response Time : N.A Think Time : N.A Minimum Instruction Time : 0**

**Correct Marks : 5 Wrong Marks : 1**

**Question Key Details :**

| Key           | Value |
|---------------|-------|
| Comprehension | Comp2 |

Read the following passage and answer question based on the concept.

Considered from an, urban point of view. The rapid growth in urbanization shows that the town or city has been acting as a magnet for the rural population. Those who cannot find work (or sufficient work) in the rural areas go to the city in search of work. This flow of rural-to-urban migration has also been accelerated by the continuous decline of common property resources like ponds, forests and grazing land. These common resources enabled poor people to survive in the villages although they owned little or no land. Now, these resources have been turned into private property, or they are exhausted. (Ponds may run dry no longer provide enough fish; forests may have been cut down and have vanished...). If people no longer have access to these resources, but on the other hand have to buy many things in the market that they used to get free (like fuel, fodder or supplementary food items). Then their hardship increases. This hardship is worsened by the fact that opportunities for cash income are limited in the villages.



Decline in common property resources like ponds, forests has led to acceleration of:

1. Rural and rural
2. Urban and rural
3. Rural and urban
4. Urban to urban

**Options :**

- 485584138213. 1
- 485584138214. 2
- 485584138215. 3
- 485584138216. 4

**Question Number : 400 Question Id : 48558434555 Question Type : MCQ Option Shuffling : No Is Question Mandatory : No Calculator : None Response Time : N.A Think Time : N.A Minimum Instruction Time : 0**

**Correct Marks : 5 Wrong Marks : 1**

**Question Key Details :**

| Key           | Value |
|---------------|-------|
| Comprehension | Comp2 |

Read the following passage and answer question based on the concept.

Considered from an, urban point of view. The rapid growth in urbanization shows that the town or city has been acting as a magnet for the rural population. Those who cannot find work (or sufficient work) in the rural areas go to the city in search of work. This flow of rural-to-urban migration has also been accelerated by the continuous decline of common property resources like ponds, forests and grazing land. These common resources enabled poor people to survive in the villages although they owned little or no land. Now, these resources have been turned into private property, or they are exhausted. (Ponds may run dry no longer provide enough fish; forests may have been cut down and have vanished...). If people no longer have access to these resources, but on the other hand have to buy many things in the market that they used to get free (like fuel, fodder or supplementary food items). Then their hardship increases. This hardship is worsened by the fact that opportunities for cash income are limited in the villages.

The emergence of machine production, based on the use of inanimate power resources like steem or electricity is known as:

1. Globalisation
2. Modernisation
3. Industrilisation
4. Glocalisation

**Options :**

- 485584138217. 1
- 485584138218. 2
- 485584138219. 3
- 485584138220. 4

## General Test

**Group Number :** 15  
**Group Id :** 485584782  
**Group Maximum Duration :** 60  
**Group Minimum Duration :** 60  
**Show Attended Group? :** No  
**Edit Attended Group? :** No  
**Break time :** 0  
**Group Marks :** 250  
**Is this Group for Examiner? :** No  
**Examiner permission :** Cant View  
**Show Progress Bar? :** No

## General Test

**Section Id :** 485584900  
**Section Number :** 1  
**Section type :** Online  
**Mandatory or Optional :** Mandatory  
**Number of Questions :** 60  
**Number of Questions to be attempted :** 50  
**Section Marks :** 250  
**Enable Mark as Answered Mark for Review and Clear Response :** Yes  
**Maximum Instruction Time :** 0  
**Sub-Section Number :** 1  
**Sub-Section Id :** 4855842555  
**Question Shuffling Allowed :** Yes  
**Is Section Default? :** null

**Question Number : 401 Question Id : 48558433996 Question Type : MCQ Option Shuffling : No Is Question Mandatory : No Calculator : None Response Time : N.A Think Time : N.A Minimum Instruction Time : 0 Correct Marks : 5 Wrong Marks : 1**

### Question Key Details :

| Key           | Value |
|---------------|-------|
| Comprehension | MCQ   |

In how many ways can a committee of 7 members be selected from 6 men and 5 women consisting of 4 men and 3 women?

1. 25
2. 147
3. 150
4. 600

### Options :

485584135981. 1  
485584135982. 2  
485584135983. 3  
485584135984. 4

Question Number : 402 Question Id : 48558433997 Question Type : MCQ Option Shuffling : No Is Question Mandatory : No Calculator : None Response Time : N.A Think Time : N.A Minimum Instruction Time : 0

Correct Marks : 5 Wrong Marks : 1

Question Key Details :

| Key           | Value |
|---------------|-------|
| Comprehension | MCQ   |

The simple interest of Rs 6500 for  $1\frac{1}{2}$  years at 10% is

1. 945
2. 950
3. 960
4. 975

Options :

- 485584135985. 1
- 485584135986. 2
- 485584135987. 3
- 485584135988. 4

Question Number : 403 Question Id : 48558433998 Question Type : MCQ Option Shuffling : No Is Question Mandatory : No Calculator : None Response Time : N.A Think Time : N.A Minimum Instruction Time : 0

Correct Marks : 5 Wrong Marks : 1

Question Key Details :

| Key           | Value |
|---------------|-------|
| Comprehension | MCQ   |

Two friends A and B invest in a buissness in partnership. B borrows 20% of A's salary, combines it with 60% of his salary and invest with A, who puts all of his remaining salary. One year later the ratio of profit of A and B is 5:3 respectively and B returns Rs.21000 to A which he borrowed from him. What is the difference between salary of A and B?

1. Rs. 56000
2. Rs. 32000
3. Rs. 60000
4. Rs. 28000

Options :

- 485584135989. 1
- 485584135990. 2
- 485584135991. 3
- 485584135992. 4

Question Number : 404 Question Id : 48558433999 Question Type : MCQ Option Shuffling : No Is Question Mandatory : No Calculator : None Response Time : N.A Think Time : N.A Minimum Instruction Time : 0

Correct Marks : 5 Wrong Marks : 1

**Question Key Details :**

| Key           | Value |
|---------------|-------|
| Comprehension | MCQ   |

The perimeter of one face of a cube is 24cm. its volume must be:

1.  $216 \text{ cm}^3$
2.  $1200 \text{ cm}^3$
3.  $576 \text{ cm}^3$
4.  $13824 \text{ cm}^3$

**Options :**

485584135993. 1  
485584135994. 2  
485584135995. 3  
485584135996. 4

**Question Number : 405 Question Id : 48558434000 Question Type : MCQ Option Shuffling : No Is Question Mandatory : No Calculator : None Response Time : N.A Think Time : N.A Minimum Instruction Time : 0**

**Correct Marks : 5 Wrong Marks : 1**

**Question Key Details :**

| Key           | Value |
|---------------|-------|
| Comprehension | MCQ   |

What is empirical relationship between mean, median and mode?

- A.  $\text{Mean} - \text{Mode} = 3(\text{Mean} - \text{Median})$
- B.  $\text{Mode} = \text{Mean} - \text{Median}$
- C.  $\text{Mode} = 3 \text{ Median} - 2 \text{ Mean}$
- D.  $\text{Median} - \text{Mode} = 3 (\text{Mean} - \text{Median})$
- E.  $\text{Mode} = 2 \text{ Mean} + 3 \text{ Median}$

Choose the correct answer from the options given below\_

1. C only
2. Both A and C only
3. Both A and B only
4. Both D and E only

**Options :**

485584135997. 1  
485584135998. 2  
485584135999. 3  
485584136000. 4

**Question Number : 406 Question Id : 48558434001 Question Type : MCQ Option Shuffling : No Is Question Mandatory : No Calculator : None Response Time : N.A Think Time : N.A Minimum Instruction Time : 0**

**Correct Marks : 5 Wrong Marks : 1**

**Question Key Details :**

| Key           | Value |
|---------------|-------|
| Comprehension | MCQ   |

A person walks from his house to his office at a speed of  $x_1$  km/hr and returns by the same route at a speed of  $x_2$  km/hr. What is his average speed?

1.  $\frac{x_1 + x_2}{2}$

2.  $\frac{x_1 + x_2}{2x_1x_2}$

3.  $\frac{2x_1x_2}{x_1 + x_2}$

4.  $\frac{x_1 + x_2}{x_1x_2}$

**Options :**

- 485584136001. 1
- 485584136002. 2
- 485584136003. 3
- 485584136004. 4

**Question Number : 407 Question Id : 48558434002 Question Type : MCQ Option Shuffling : No Is Question Mandatory : No Calculator : None Response Time : N.A Think Time : N.A Minimum Instruction Time : 0**

**Correct Marks : 5 Wrong Marks : 1**

**Question Key Details :**

| Key           | Value |
|---------------|-------|
| Comprehension | MCQ   |

A thief is spotted by a policeman from a distance of 100m. when the policeman starts the chase, the thief also starts running. If the speed of the thief be 8 km/hr and that of the policeman 10 km/hr, how far the thief will have run before he is overtaken ?

1. 100 m

2. 200 m

3. 400 m

4. 500 m

**Options :**

- 485584136005. 1
- 485584136006. 2
- 485584136007. 3
- 485584136008. 4

**Question Number : 408 Question Id : 48558434003 Question Type : MCQ Option Shuffling : No Is Question Mandatory : No Calculator : None Response Time : N.A Think Time : N.A Minimum Instruction Time : 0**

**Correct Marks : 5 Wrong Marks : 1**

**Question Key Details :**

| Key           | Value |
|---------------|-------|
| Comprehension | MCQ   |

The perimeter of a square and a regular hexagon are equal. The ratio of the area of the hexagon to the area of the square is:

1.  $2\sqrt{3} : 1$

2.  $2 : \sqrt{3}$

3.  $3\sqrt{3} : 2$

4.  $\sqrt{2} : 3$

**Options :**

485584136009. 1

485584136010. 2

485584136011. 3

485584136012. 4

**Question Number : 409 Question Id : 48558434004 Question Type : MCQ Option Shuffling : No Is Question Mandatory : No Calculator : None Response Time : N.A Think Time : N.A Minimum Instruction Time : 0**

**Correct Marks : 5 Wrong Marks : 1**

**Question Key Details :**

| Key           | Value |
|---------------|-------|
| Comprehension | MCQ   |

The radius of the wheel of a vehicle is 35cm. The wheel makes 10 revolutions in 6 seconds. The speed of the vehicle is:

1. 70 km/hr

2. 13.2 km/hr

3. 17.5 km/hr

4. 20 km/hr

**Options :**

485584136013. 1

485584136014. 2

485584136015. 3

485584136016. 4

**Question Number : 410 Question Id : 48558434005 Question Type : MCQ Option Shuffling : No Is Question Mandatory : No Calculator : None Response Time : N.A Think Time : N.A Minimum Instruction Time : 0**

**Correct Marks : 5 Wrong Marks : 1**

**Question Key Details :**

| Key           | Value |
|---------------|-------|
| Comprehension | MCQ   |

A sum of money triples it self in 3 years at compound interest. In how many years will it becomes 9 times

1. 9 years
2. 6 years
3. 12 years
4. 5 years

**Options :**

- 485584136017. 1
- 485584136018. 2
- 485584136019. 3
- 485584136020. 4

**Question Number : 411 Question Id : 48558434006 Question Type : MCQ Option Shuffling : No Is Question Mandatory : No Calculator : None Response Time : N.A Think Time : N.A Minimum Instruction Time : 0**

**Correct Marks : 5 Wrong Marks : 1**

**Question Key Details :**

| Key           | Value |
|---------------|-------|
| Comprehension | MCQ   |

Aman got 30% of the maximum marks in an examination and failed by 15% marks. However, Anil who took the same examination got 40% of the total marks and got 10 marks more than the passing marks. What were the passing marks in the examination?

1. 85
2. 90
3. 95
4. 100

**Options :**

- 485584136021. 1
- 485584136022. 2
- 485584136023. 3
- 485584136024. 4

**Question Number : 412 Question Id : 48558434007 Question Type : MCQ Option Shuffling : No Is Question Mandatory : No Calculator : None Response Time : N.A Think Time : N.A Minimum Instruction Time : 0**

**Correct Marks : 5 Wrong Marks : 1**

**Question Key Details :**

| Key           | Value |
|---------------|-------|
| Comprehension | MCQ   |

Akriti buys a smartphone for ₹12,500. If she wants to profit of 30%, how much should she charge for the smartphone?

1. 16000
2. 14375
3. 16250
4. 15400

**Options :**

485584136025. 1  
485584136026. 2  
485584136027. 3  
485584136028. 4

**Question Number : 413 Question Id : 48558434008 Question Type : MCQ Option Shuffling : No Is Question Mandatory : No Calculator : None Response Time : N.A Think Time : N.A Minimum Instruction Time : 0**

**Correct Marks : 5 Wrong Marks : 1**

**Question Key Details :**

| Key           | Value |
|---------------|-------|
| Comprehension | MCQ   |

₹4200 are divided among 'P', 'Q', 'R' and 'S' in such a way that the shares of 'P' and 'Q', 'Q' and 'R' as well 'R' and 'S' are in the ratios of 2:3, 4:5 and 6:7 resp. ectively the share of 'P' is:

1. ₹ 600
2. ₹ 640
3. ₹ 1280
4. ₹ 1480

**Options :**

485584136029. 1  
485584136030. 2  
485584136031. 3  
485584136032. 4

**Question Number : 414 Question Id : 48558434009 Question Type : MCQ Option Shuffling : No Is Question Mandatory : No Calculator : None Response Time : N.A Think Time : N.A Minimum Instruction Time : 0**

**Correct Marks : 5 Wrong Marks : 1**

**Question Key Details :**

| Key           | Value |
|---------------|-------|
| Comprehension | MCQ   |



Work done by A in one day is half of the work done by B in one day. Work done by B is half of the work done by C in one day. If C alone can do the work in 7 days, then in how many days can A, B and C together complete the work?

1. 4
2. 14
3. 21
4. 28

**Options :**

485584136033. 1  
485584136034. 2  
485584136035. 3  
485584136036. 4

**Question Number : 415 Question Id : 48558434010 Question Type : MCQ Option Shuffling : No Is Question Mandatory : No Calculator : None Response Time : N.A Think Time : N.A Minimum Instruction Time : 0**

**Correct Marks : 5 Wrong Marks : 1**

**Question Key Details :**

| Key           | Value |
|---------------|-------|
| Comprehension | MCQ   |

A pair of dice is thrown and sum of the numbers on two tosses is observed. Which of the statements are correct

- A. Probability of getting sum as 11 is  $\frac{1}{18}$
- B. Probability of getting sum as 5 is  $\frac{1}{12}$
- C. Probability of getting sum as 7 is  $\frac{1}{6}$
- D. Probability of getting sum as 6 is  $\frac{1}{9}$

Choose the correct answer from the options given below:

1. A and C Only
2. A and B Only
3. A, C, D Only
4. A and C Only

**Options :**

485584136037. 1  
485584136038. 2  
485584136039. 3  
485584136040. 4

Question Number : 416 Question Id : 48558434011 Question Type : MCQ Option Shuffling : No Is Question Mandatory : No Calculator : None Response Time : N.A Think Time : N.A Minimum Instruction Time : 0

Correct Marks : 5 Wrong Marks : 1

Question Key Details :

| Key           | Value |
|---------------|-------|
| Comprehension | MCQ   |

The value of the sum of 10 term of the series

$$S_{10} = \frac{1}{2^2 - 1} + \frac{1}{4^2 - 1} + \frac{1}{6^2 - 1} + \dots \text{ is}$$

1.  $\frac{11}{21}$

2.  $\frac{9}{10}$

3.  $\frac{21}{10}$

4.  $\frac{10}{21}$

Options :

485584136041. 1

485584136042. 2

485584136043. 3

485584136044. 4

Question Number : 417 Question Id : 48558434012 Question Type : MCQ Option Shuffling : No Is Question Mandatory : No Calculator : None Response Time : N.A Think Time : N.A Minimum Instruction Time : 0

Correct Marks : 5 Wrong Marks : 1

Question Key Details :

| Key           | Value |
|---------------|-------|
| Comprehension | MCQ   |

Diameter of sphere is 28 cm Find out its surface area?

1.  $2464 \text{ cm}^2$

2.  $11498 \text{ cm}^2$

3.  $2490 \text{ cm}^2$

4.  $2260 \text{ cm}^2$

Options :

485584136045. 1

485584136046. 2

485584136047. 3

485584136048. 4

Question Number : 418 Question Id : 48558434013 Question Type : MCQ Option Shuffling : No Is Question Mandatory : No Calculator : None Response Time : N.A Think Time : N.A Minimum Instruction Time : 0

Correct Marks : 5 Wrong Marks : 1

Question Key Details :

| Key           | Value |
|---------------|-------|
| Comprehension | MCQ   |

Which two numbers are both square and cube numbers?

1. 1 and 8
2. 8 and 27
3. 27 and 64
4. 1 and 64

Options :

485584136049. 1  
485584136050. 2  
485584136051. 3  
485584136052. 4

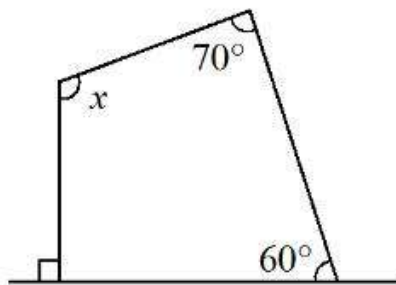
Question Number : 419 Question Id : 48558434014 Question Type : MCQ Option Shuffling : No Is Question Mandatory : No Calculator : None Response Time : N.A Think Time : N.A Minimum Instruction Time : 0

Correct Marks : 5 Wrong Marks : 1

Question Key Details :

| Key           | Value |
|---------------|-------|
| Comprehension | MCQ   |

In the given figure the value of angle 'x' is \_\_\_\_\_



1.  $130^\circ$
2.  $120^\circ$
3.  $140^\circ$
4.  $110^\circ$

Options :

485584136053. 1  
485584136054. 2  
485584136055. 3

485584136056. 4

**Question Number : 420 Question Id : 48558434015 Question Type : MCQ Option Shuffling : No Is Question Mandatory : No Calculator : None Response Time : N.A Think Time : N.A Minimum Instruction Time : 0**

**Correct Marks : 5 Wrong Marks : 1**

**Question Key Details :**

| Key           | Value |
|---------------|-------|
| Comprehension | MCQ   |

How many words with or without meaning, can be formed by using all the letters of the word "DELHI", using each letter exactly once?

1. 12
2. 50
3. 60
4. 10

**Options :**

- 485584136057. 1
- 485584136058. 2
- 485584136059. 3
- 485584136060. 4

**Question Number : 421 Question Id : 48558434016 Question Type : MCQ Option Shuffling : No Is Question Mandatory : No Calculator : None Response Time : N.A Think Time : N.A Minimum Instruction Time : 0**

**Correct Marks : 5 Wrong Marks : 1**

**Question Key Details :**

| Key           | Value |
|---------------|-------|
| Comprehension | MCQ   |

If UPKAR is coded as UOQJLAQS, then the code for HONEY will be:

1. HIOMOXZA
2. GIOMEOXY
3. GIOMOEXZ
4. HIOMOEXZ

**Options :**

- 485584136061. 1
- 485584136062. 2
- 485584136063. 3
- 485584136064. 4

**Question Number : 422 Question Id : 48558434017 Question Type : MCQ Option Shuffling : No Is Question Mandatory : No Calculator : None Response Time : N.A Think Time : N.A Minimum Instruction Time : 0**

**Correct Marks : 5 Wrong Marks : 1**

**Question Key Details :**

| Key | Value |
|-----|-------|
|-----|-------|

|               |     |
|---------------|-----|
| Comprehension | MCQ |
|---------------|-----|

STATEMENT: Covid-19 is a pandemic issue now.

ASSUMPTIONS:

- I. Government should work towards complete vaccination of the population.
  - II. Covid-19 upcoming variants are not fatal and should be treated as normal flu.
1. Only Assumption I is implicit
  2. Only Assumption II is implicit
  3. neither Assumption I nor Assumption II is implicit
  4. Both Assumption I and Assumption II are implicit

**Options :**

485584136065. 1
485584136066. 2
485584136067. 3
485584136068. 4

**Question Number : 423 Question Id : 48558434018 Question Type : MCQ Option Shuffling : No Is Question Mandatory : No Calculator : None Response Time : N.A Think Time : N.A Minimum Instruction Time : 0**

**Correct Marks : 5 Wrong Marks : 1**

**Question Key Details :**

| Key           | Value |
|---------------|-------|
| Comprehension | MCQ   |

Mark the correct option based on the statement and conclusion that follows

Statements

- A. All states having Rain Water Harvesting face no water problem.
- B. One of the states has still not applied Rain Water Harvesting policy

Conclusions:

- I. It may be facing water problem
  - II. Rain Water Harvesting solve water problem.
1. Only conclusion I follows
  2. Only conclusion II follows
  3. Both conclusion I and II follows
  4. Neither conclusion I nor II follows

**Options :**

485584136069. 1

485584136070. 2  
485584136071. 3  
485584136072. 4

**Question Number : 424 Question Id : 48558434019 Question Type : MCQ Option Shuffling : No Is Question Mandatory : No Calculator : None Response Time : N.A Think Time : N.A Minimum Instruction Time : 0**

**Correct Marks : 5 Wrong Marks : 1**

**Question Key Details :**

| Key           | Value |
|---------------|-------|
| Comprehension | MCQ   |

Identify the next number from the following series 36,40, 48, 60, 76 ?

1. 94
2. 98
3. 92
4. 96

**Options :**

485584136073. 1  
485584136074. 2  
485584136075. 3  
485584136076. 4

**Question Number : 425 Question Id : 48558434020 Question Type : MCQ Option Shuffling : No Is Question Mandatory : No Calculator : None Response Time : N.A Think Time : N.A Minimum Instruction Time : 0**

**Correct Marks : 5 Wrong Marks : 1**

**Question Key Details :**

| Key           | Value |
|---------------|-------|
| Comprehension | MCQ   |

What will be the measurement of the angle made by the hands at 18 min past 5?

1.  $52^\circ$
2.  $51^\circ$
3.  $50^\circ$
4.  $49^\circ$

**Options :**

485584136077. 1  
485584136078. 2  
485584136079. 3  
485584136080. 4

**Question Number : 426 Question Id : 48558434021 Question Type : MCQ Option Shuffling : No Is Question Mandatory : No Calculator : None Response Time : N.A Think Time : N.A Minimum Instruction Time : 0**

**Correct Marks : 5 Wrong Marks : 1**

**Question Key Details :**

| Key           | Value |
|---------------|-------|
| Comprehension | MCQ   |

Hear is to Deaf as Speak is to

1. Quite
2. Silent
3. Mumb or Mum
4. Dumb

**Options :**

485584136081. 1  
485584136082. 2  
485584136083. 3  
485584136084. 4

**Question Number : 427 Question Id : 48558434022 Question Type : MCQ Option Shuffling : No Is Question Mandatory : No Calculator : None Response Time : N.A Think Time : N.A Minimum Instruction Time : 0**

**Correct Marks : 5 Wrong Marks : 1**

**Question Key Details :**

| Key           | Value |
|---------------|-------|
| Comprehension | MCQ   |

Given below are two statements: one is labelled as Assertion A and the other is labelled as Reason R.

**Assertion A :** The sun rises 2 hours later in Gujrat as compared to Arunachal Pradesh, but watches shows the same time.

**Reason R :** The longitudinal gap between Arunachal Pradesh and Gujrat is about 30 degrees but at the same time India has adopted Indian Standard time which is at 82.5° West.

In the light of the above statements, choose the most appropriate answer from the options given below:

1. Both A and R are correct and R is the correct explanation of A
2. Both A and R are correct but R is NOT the correct explanation of A
3. A is correct but R is not correct
4. A is not correct but R is correct

**Options :**

485584136085. 1  
485584136086. 2  
485584136087. 3  
485584136088. 4

**Question Number : 428 Question Id : 48558434023 Question Type : MCQ Option Shuffling : No Is Question Mandatory : No Calculator : None Response Time : N.A Think Time : N.A Minimum Instruction Time : 0**

**Correct Marks : 5 Wrong Marks : 1**

**Question Key Details :**

| Key           | Value |
|---------------|-------|
| Comprehension | MCQ   |

K is more beautiful than B. B is not as beautiful as Y. J is not beautiful as B or Y. The least beautiful among all is:

1. B
2. Y
3. J
4. K

**Options :**

- 485584136089. 1
- 485584136090. 2
- 485584136091. 3
- 485584136092. 4

**Question Number : 429 Question Id : 48558434024 Question Type : MCQ Option Shuffling : No Is Question Mandatory : No Calculator : None Response Time : N.A Think Time : N.A Minimum Instruction Time : 0**

**Correct Marks : 5 Wrong Marks : 1**

**Question Key Details :**

| Key           | Value |
|---------------|-------|
| Comprehension | MCQ   |

I introduced a lady "she is the mother of the only daughter of my son's father in law. how is she related to me:

- A. She is my sister
- B. She is the mother in law of my son
- C. She is my son's aunt
- D. She is the wife of my son's father in law
- E. She is my mother

Choose the correct answer from the options given below:

1. A, C, D Only
2. B, C, D Only
3. A, D, E Only
4. B, D Only

**Options :**

- 485584136093. 1
- 485584136094. 2
- 485584136095. 3
- 485584136096. 4

**Question Number : 430 Question Id : 48558434025 Question Type : MCQ Option Shuffling : No Is Question Mandatory : No Calculator : None Response Time : N.A Think Time : N.A Minimum Instruction Time : 0**



Correct Marks : 5 Wrong Marks : 1

Question Key Details :

| Key           | Value |
|---------------|-------|
| Comprehension | MCQ   |

In the statements below study the question asked and decide which of the following statement is/are necessary to answer the question:

Find the present salary of Arvind:

- I. The salary increase every year by 15%
- II. The salary at the time of joining was ₹18,000
- III. He has joined the company exactly 10 years ago.

Which statement(s) are necessary

1. I and II only
2. II and III only
3. I and III only
4. all I, II, and III necessary

Options :

485584136097. 1  
485584136098. 2  
485584136099. 3  
485584136100. 4

Question Number : 431 Question Id : 48558434026 Question Type : MCQ Option Shuffling : No Is Question Mandatory : No Calculator : None Response Time : N.A Think Time : N.A Minimum Instruction Time : 0

Correct Marks : 5 Wrong Marks : 1

Question Key Details :

| Key           | Value |
|---------------|-------|
| Comprehension | MCQ   |

Which does not belong to the others

1. Key Board
2. Windows
3. Hard Drive
4. CPU

Options :

485584136101. 1  
485584136102. 2  
485584136103. 3  
485584136104. 4

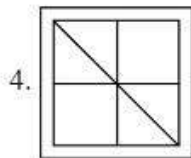
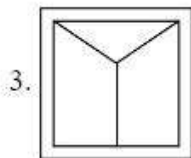
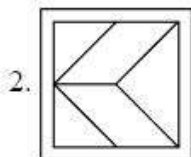
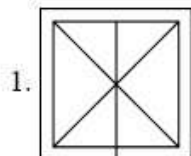
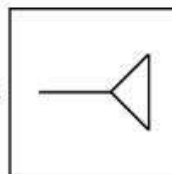
Question Number : 432 Question Id : 48558434027 Question Type : MCQ Option Shuffling : No Is Question Mandatory : No Calculator : None Response Time : N.A Think Time : N.A Minimum Instruction Time : 0

Correct Marks : 5 Wrong Marks : 1

Question Key Details :

| Key           | Value |
|---------------|-------|
| Comprehension | MCQ   |

Find the answer figure in which question figure is imbrted



Options :

485584136105. 1

485584136106. 2

485584136107. 3

485584136108. 4

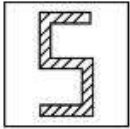
Question Number : 433 Question Id : 48558434028 Question Type : MCQ Option Shuffling : No Is Question Mandatory : No Calculator : None Response Time : N.A Think Time : N.A Minimum Instruction Time : 0

Correct Marks : 5 Wrong Marks : 1

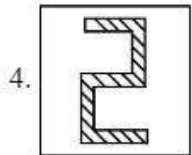
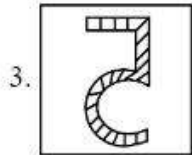
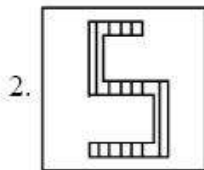
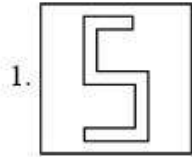
Question Key Details :

| Key           | Value |
|---------------|-------|
| Comprehension | MCQ   |

Choose the correct mirror-image of fig(X) from amongst the four alternatives (1), (2), (3) and (4) given along with it.



(x)



**Options :**

485584136109. 1

485584136110. 2

485584136111. 3

485584136112. 4

**Question Number : 434 Question Id : 48558434029 Question Type : MCQ Option Shuffling : No Is Question Mandatory : No Calculator : None Response Time : N.A Think Time : N.A Minimum Instruction Time : 0**

**Correct Marks : 5 Wrong Marks : 1**

**Question Key Details :**

| Key           | Value |
|---------------|-------|
| Comprehension | MCQ   |

The days before yesterday, it was monday. After 39 days, it will be

1. Wednesday

2. Sunday

3. Friday

4. Saturday

**Options :**

- 485584136113. 1
- 485584136114. 2
- 485584136115. 3
- 485584136116. 4

**Question Number : 435 Question Id : 48558434030 Question Type : MCQ Option Shuffling : No Is Question Mandatory : No Calculator : None Response Time : N.A Think Time : N.A Minimum Instruction Time : 0**

**Correct Marks : 5 Wrong Marks : 1**

**Question Key Details :**

| Key           | Value |
|---------------|-------|
| Comprehension | MCQ   |

Find missing term: P2A, S6D, ?, Y54J

- 1. F9U
- 2. V18G
- 3. V24G
- 4. V12X

**Options :**

- 485584136117. 1
- 485584136118. 2
- 485584136119. 3
- 485584136120. 4

**Question Number : 436 Question Id : 48558434031 Question Type : MCQ Option Shuffling : No Is Question Mandatory : No Calculator : None Response Time : N.A Think Time : N.A Minimum Instruction Time : 0**

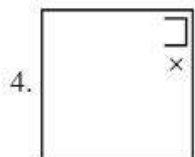
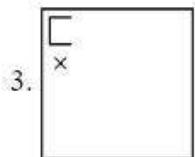
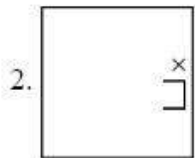
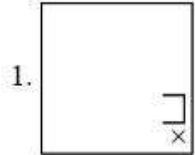
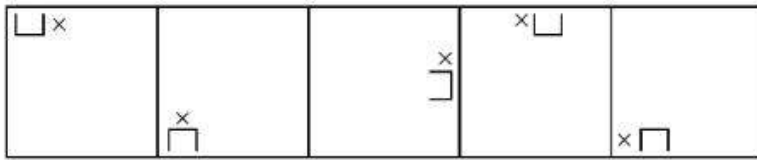
**Correct Marks : 5 Wrong Marks : 1**

**Question Key Details :**

| Key           | Value |
|---------------|-------|
| Comprehension | MCQ   |

Choose the correct option to complete the series.

Problem figures



**Options :**

- 485584136121. 1
- 485584136122. 2
- 485584136123. 3
- 485584136124. 4

**Question Number : 437 Question Id : 48558434032 Question Type : MCQ Option Shuffling : No Is Question Mandatory : No Calculator : None Response Time : N.A Think Time : N.A Minimum Instruction Time : 0**

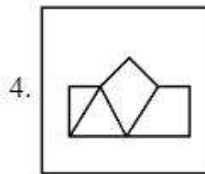
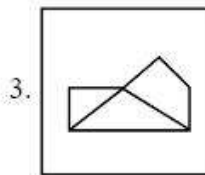
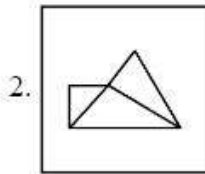
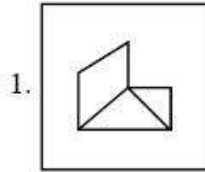
**Correct Marks : 5 Wrong Marks : 1**

**Question Key Details :**

| Key           | Value |
|---------------|-------|
| Comprehension | MCQ   |



Choose the correct option by forming the pieces given in the above figure.



**Options :**

- 485584136125. 1
- 485584136126. 2
- 485584136127. 3
- 485584136128. 4

**Question Number : 438 Question Id : 48558434033 Question Type : MCQ Option Shuffling : No Is Question Mandatory : No Calculator : None Response Time : N.A Think Time : N.A Minimum Instruction Time : 0**

**Correct Marks : 5 Wrong Marks : 1**

**Question Key Details :**

| Key           | Value |
|---------------|-------|
| Comprehension | MCQ   |

Following are the conditions for selection of Director in an Organisation. The candidate must

- I. Be a MBA in Marketing with 1st class securing a minimum of 65% marks
- II. Have an experience of working in related area at least two years after acquiring the desired qualification
- III. Have passed the written test with at least 60% marks.
- IV. Be not less than 40 year and not more than 50 year of age as 2.3.2020

Salman Khan is a MBA from IIM Lucknow, passed out in 2000 with 70% marks. He is working as a marketing head since July 2001. His date of birth is 25th Dec 1975. He has cleared the written test with 60% marks?

Indicate your decision by marking answers to each question as follows:

1. If the candidate is to be selected
2. If the candidate is not to be selected
3. If data is not adequate to take the decision
4. If the case is referred to the chairman

**Options :**

- 485584136129. 1
- 485584136130. 2
- 485584136131. 3
- 485584136132. 4

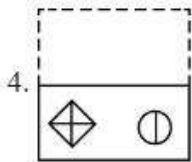
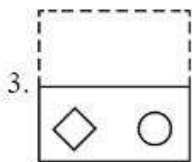
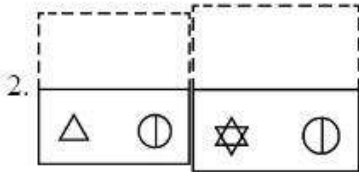
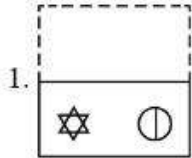
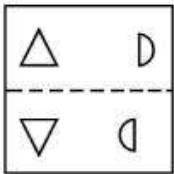
**Question Number : 439 Question Id : 48558434034 Question Type : MCQ Option Shuffling : No Is Question Mandatory : No Calculator : None Response Time : N.A Think Time : N.A Minimum Instruction Time : 0**

**Correct Marks : 5 Wrong Marks : 1**

**Question Key Details :**

| Key           | Value |
|---------------|-------|
| Comprehension | MCQ   |

Find the figure obtained after folding the given figure along the dotted line.



**Options :**

- 485584136133. 1
- 485584136134. 2
- 485584136135. 3
- 485584136136. 4

**Question Number : 440 Question Id : 48558434035 Question Type : MCQ Option Shuffling : No Is Question Mandatory : No Calculator : None Response Time : N.A Think Time : N.A Minimum Instruction Time : 0**

**Correct Marks : 5 Wrong Marks : 1**

**Question Key Details :**

| Key           | Value |
|---------------|-------|
| Comprehension | MCQ   |

If South-East becomes North and North-East becomes West and all the rest directions are changed in the same manner, what will the direction for the South-East?

- 1. West
- 2. North-West
- 3. North
- 4. East

**Options :**



485584136137. 1  
485584136138. 2  
485584136139. 3  
485584136140. 4

**Question Number : 441 Question Id : 48558434036 Question Type : MCQ Option Shuffling : No Is Question Mandatory : No Calculator : None Response Time : N.A Think Time : N.A Minimum Instruction Time : 0**

**Correct Marks : 5 Wrong Marks : 1**

**Question Key Details :**

| Key           | Value |
|---------------|-------|
| Comprehension | MCQ   |

Which among the following dances is not a Martial Dance?

1. Pika
2. Gatka
3. Kathaputli
4. Choliya

**Options :**

485584136141. 1  
485584136142. 2  
485584136143. 3  
485584136144. 4

**Question Number : 442 Question Id : 48558434037 Question Type : MCQ Option Shuffling : No Is Question Mandatory : No Calculator : None Response Time : N.A Think Time : N.A Minimum Instruction Time : 0**

**Correct Marks : 5 Wrong Marks : 1**

**Question Key Details :**

| Key           | Value |
|---------------|-------|
| Comprehension | MCQ   |

Harappan age is

1. 3,500 BC – 2,500 BC
2. 2,500 BC – 1,750 BC
3. 2,000 BC – 1,000 BC
4. 3,500 BC – 1,000 BC

**Options :**

485584136145. 1  
485584136146. 2  
485584136147. 3  
485584136148. 4

**Question Number : 443 Question Id : 48558434038 Question Type : MCQ Option Shuffling : No Is Question Mandatory : No Calculator : None Response Time : N.A Think Time : N.A Minimum Instruction Time : 0**

**Correct Marks : 5 Wrong Marks : 1**

**Question Key Details :**

| Key           | Value |
|---------------|-------|
| Comprehension | MCQ   |

Archaeological site 'Palvai' is situated in

1. Kerala
2. Andhra Pradesh
3. Karnataka
4. Tamil Nadu

**Options :**

485584136149. 1  
485584136150. 2  
485584136151. 3  
485584136152. 4

**Question Number : 444 Question Id : 48558434039 Question Type : MCQ Option Shuffling : No Is Question Mandatory : No Calculator : None Response Time : N.A Think Time : N.A Minimum Instruction Time : 0**

**Correct Marks : 5 Wrong Marks : 1**

**Question Key Details :**

| Key           | Value |
|---------------|-------|
| Comprehension | MCQ   |

There are 4 electric bulb of 50W (each) is used for 5 hour per day. Calculate the energy consumed in the month of January.

1. 31 Kwh
2. 31 Joulr
3.  $3.6 \times 10^6$  J
4.  $31 \times 3.6 \times 10^6$  J Kwh

**Options :**

485584136153. 1  
485584136154. 2  
485584136155. 3  
485584136156. 4

**Question Number : 445 Question Id : 48558434040 Question Type : MCQ Option Shuffling : No Is Question Mandatory : No Calculator : None Response Time : N.A Think Time : N.A Minimum Instruction Time : 0**

**Correct Marks : 5 Wrong Marks : 1**

**Question Key Details :**

| Key           | Value |
|---------------|-------|
| Comprehension | MCQ   |

Which of the following is an example of an Emulsion?

1. Fog
2. Clouds
3. Mist
4. Milk

**Options :**

485584136157. 1  
485584136158. 2  
485584136159. 3  
485584136160. 4

**Question Number : 446 Question Id : 48558434041 Question Type : MCQ Option Shuffling : No Is Question Mandatory : No Calculator : None Response Time : N.A Think Time : N.A Minimum Instruction Time : 0**

**Correct Marks : 5 Wrong Marks : 1**

**Question Key Details :**

| Key           | Value |
|---------------|-------|
| Comprehension | MCQ   |

Which statements are true about Phylum Arthropoda?

- A. Body is divided into one part.
- B. Body is divided into two parts.
- C. Body is divided into three parts.
- D. Joinedleg
- E. Circulatory system is of close type.

Choose the correct answer from the options given below:

1. A and B only
2. B and C only
3. D and E only
4. C and D only

**Options :**

485584136161. 1  
485584136162. 2  
485584136163. 3  
485584136164. 4

**Question Number : 447 Question Id : 48558434042 Question Type : MCQ Option Shuffling : No Is Question Mandatory : No Calculator : None Response Time : N.A Think Time : N.A Minimum Instruction Time : 0**

**Correct Marks : 5 Wrong Marks : 1**

**Question Key Details :**

| Key           | Value |
|---------------|-------|
| Comprehension | MCQ   |

Who was invented Universal Serial Bus (USB)?

1. Ajay Sood
2. Ajay Bhatt
3. M.S. Swaminathan
4. Gagan B. Mohanthy

**Options :**

485584136165. 1  
485584136166. 2  
485584136167. 3  
485584136168. 4

**Question Number : 448 Question Id : 48558434043 Question Type : MCQ Option Shuffling : No Is Question Mandatory : No Calculator : None Response Time : N.A Think Time : N.A Minimum Instruction Time : 0**

**Correct Marks : 5 Wrong Marks : 1**

**Question Key Details :**

| Key           | Value |
|---------------|-------|
| Comprehension | MCQ   |

Where was Commonwealth Games 2022 held?

1. London
2. Canberra
3. Brimingham
4. Manchester

**Options :**

485584136169. 1  
485584136170. 2  
485584136171. 3  
485584136172. 4

**Question Number : 449 Question Id : 48558434044 Question Type : MCQ Option Shuffling : No Is Question Mandatory : No Calculator : None Response Time : N.A Think Time : N.A Minimum Instruction Time : 0**

**Correct Marks : 5 Wrong Marks : 1**

**Question Key Details :**

| Key           | Value |
|---------------|-------|
| Comprehension | MCQ   |

Which states women's U-18 team won the Khelo India Youth Games 2022?

1. Kerala
2. Punjab
3. Tamil Nadu
4. Haryana

**Options :**

485584136173. 1  
485584136174. 2  
485584136175. 3  
485584136176. 4

**Question Number : 450 Question Id : 48558434045 Question Type : MCQ Option Shuffling : No Is Question Mandatory : No Calculator : None Response Time : N.A Think Time : N.A Minimum Instruction Time : 0**

**Correct Marks : 5 Wrong Marks : 1**

**Question Key Details :**

| Key           | Value |
|---------------|-------|
| Comprehension | MCQ   |

India has been building the sea-port of Chabahar port for which of these West Asian country:

1. Iraq
2. Iran
3. UAE
4. Oman

**Options :**

485584136177. 1  
485584136178. 2  
485584136179. 3  
485584136180. 4

**Question Number : 451 Question Id : 48558434046 Question Type : MCQ Option Shuffling : No Is Question Mandatory : No Calculator : None Response Time : N.A Think Time : N.A Minimum Instruction Time : 0**

**Correct Marks : 5 Wrong Marks : 1**

**Question Key Details :**

| Key           | Value |
|---------------|-------|
| Comprehension | MCQ   |

Recently, whom of Indian origin has become the new prime minister of Britain?

1. Dilip Boland
2. Rajesh David
3. Rishi Sunak
4. Aman Panda

**Options :**

485584136181. 1  
485584136182. 2  
485584136183. 3  
485584136184. 4

**Question Number : 452 Question Id : 48558434047 Question Type : MCQ Option Shuffling : No Is Question Mandatory : No Calculator : None Response Time : N.A Think Time : N.A Minimum Instruction Time : 0**

**Correct Marks : 5 Wrong Marks : 1**

**Question Key Details :**

| Key           | Value |
|---------------|-------|
| Comprehension | MCQ   |

Which team has won the 2022 Women's Pan American Cup Field Hockey Tournament?

1. Netherland
2. Argentina
3. South Korea
4. Malaysia

**Options :**

485584136185. 1  
485584136186. 2  
485584136187. 3  
485584136188. 4

**Question Number : 453 Question Id : 48558434048 Question Type : MCQ Option Shuffling : No Is Question Mandatory : No Calculator : None Response Time : N.A Think Time : N.A Minimum Instruction Time : 0**

**Correct Marks : 5 Wrong Marks : 1**

**Question Key Details :**

| Key           | Value |
|---------------|-------|
| Comprehension | MCQ   |

Name the longest river of the world?

1. Nile
2. Ganga
3. Amazon
4. Yangtze river

**Options :**

485584136189. 1  
485584136190. 2  
485584136191. 3  
485584136192. 4

**Question Number : 454 Question Id : 48558434049 Question Type : MCQ Option Shuffling : No Is Question Mandatory : No Calculator : None Response Time : N.A Think Time : N.A Minimum Instruction Time : 0**

**Correct Marks : 5 Wrong Marks : 1**

**Question Key Details :**

| Key           | Value |
|---------------|-------|
| Comprehension | MCQ   |

Which is the highest Peak of the Pennisulan Plateau of India?

1. Dodda betha
2. Mullayanagiri
3. Agasthyamala
4. Anamudi

**Options :**

485584136193. 1  
485584136194. 2  
485584136195. 3  
485584136196. 4

**Question Number : 455 Question Id : 48558434050 Question Type : MCQ Option Shuffling : No Is Question Mandatory : No Calculator : None Response Time : N.A Think Time : N.A Minimum Instruction Time : 0**

**Correct Marks : 5 Wrong Marks : 1**

**Question Key Details :**

| Key           | Value |
|---------------|-------|
| Comprehension | MCQ   |

On which date is the shortest day of the year in the northern Hemisphere?

1. 22 June
2. 21 June
3. 22 December
4. 26 December

**Options :**

485584136197. 1  
485584136198. 2  
485584136199. 3  
485584136200. 4

**Question Number : 456 Question Id : 48558434051 Question Type : MCQ Option Shuffling : No Is Question Mandatory : No Calculator : None Response Time : N.A Think Time : N.A Minimum Instruction Time : 0**

**Correct Marks : 5 Wrong Marks : 1**

**Question Key Details :**

| Key           | Value |
|---------------|-------|
| Comprehension | MCQ   |

Criminal Identification Bill has been passed by President in April 2022. The Bill (or Act)

- A. Empowers police to obtain physical and biological samples of convicts and those accused of crimes.
- B. Empowers police to order measurement of photographs of a person to aid the investigation of offence.
- C. Explains the data to be collected.
- D. Provides the data to be stored in a Central database.

Choose the correct answer from the options given below:

1. C, A and B only
2. A, C and D only
3. B, A and D only
4. A, B and D only

**Options :**

485584136201. 1  
485584136202. 2  
485584136203. 3  
485584136204. 4

**Question Number : 457 Question Id : 48558434052 Question Type : MCQ Option Shuffling : No Is Question Mandatory : No Calculator : None Response Time : N.A Think Time : N.A Minimum Instruction Time : 0**

**Correct Marks : 5 Wrong Marks : 1**

**Question Key Details :**

| Key           | Value |
|---------------|-------|
| Comprehension | MCQ   |



What growth rate The Economic Survey 2021-22 had projected for the financial year ending March 2023?

1. 8.5-9%
2. 8-8.5%
3. 10-11%
4. 7-7.5%

**Options :**

485584136205. 1  
485584136206. 2  
485584136207. 3  
485584136208. 4

**Question Number : 458 Question Id : 48558434053 Question Type : MCQ Option Shuffling : No Is Question Mandatory : No Calculator : None Response Time : N.A Think Time : N.A Minimum Instruction Time : 0**

**Correct Marks : 5 Wrong Marks : 1**

**Question Key Details :**

| Key           | Value |
|---------------|-------|
| Comprehension | MCQ   |

Which English writer has been awarded the Tata Literature Lifetime Achievement Award?

1. Arundhati Roy
2. Vikram Seth
3. Ruskin Bond
4. Prof. Shorad Pagadey

**Options :**

485584136209. 1  
485584136210. 2  
485584136211. 3  
485584136212. 4

**Question Number : 459 Question Id : 48558434054 Question Type : MCQ Option Shuffling : No Is Question Mandatory : No Calculator : None Response Time : N.A Think Time : N.A Minimum Instruction Time : 0**

**Correct Marks : 5 Wrong Marks : 1**

**Question Key Details :**

| Key           | Value |
|---------------|-------|
| Comprehension | MCQ   |

Match List I with List II

| LIST I<br>Satellite |                  | LIST II<br>Launch Date |      |
|---------------------|------------------|------------------------|------|
| A.                  | Aryabhata        | I.                     | 2008 |
| B.                  | Mangalyaan       | II.                    | 1975 |
| C.                  | Chandrayaan - I  | III.                   | 2017 |
| D.                  | IRNAA-1H Mission | IV.                    | 2013 |

Choose the correct answer from the options given below:

1. A-II, B-IV, C-I, D-III
2. A-I, B-II, C-III, D-IV
3. A-IV, B-III, C-II, D-I
4. A-IV, B-II, C-III, D-I

**Options :**

485584136213. 1  
485584136214. 2  
485584136215. 3  
485584136216. 4

**Question Number : 460 Question Id : 48558434055 Question Type : MCQ Option Shuffling : No Is Question Mandatory : No Calculator : None Response Time : N.A Think Time : N.A Minimum Instruction Time : 0**

**Correct Marks : 5 Wrong Marks : 1**

**Question Key Details :**

| Key           | Value |
|---------------|-------|
| Comprehension | MCQ   |

Formal source of credit for an individual does not include:

1. Cooperatives
2. Banks
3. MUDRA Bank
4. RBI

**Options :**

485584136217. 1  
485584136218. 2  
485584136219. 3  
485584136220. 4