

National Testing Agency

Question Paper Name : 18S3
Subject Name : 18Jun2023 Shift3 Subject Combination 1
Creation Date : 2023-06-18 22:37:53
Duration : 690
Total Marks : 3050
Display Marks: Yes

English

Group Number : 1
Group Id : 485584768
Group Maximum Duration : 45
Group Minimum Duration : 45
Show Attended Group? : No
Edit Attended Group? : No
Break time : 0
Group Marks : 200
Is this Group for Examiner? : No
Examiner permission : Cant View
Show Progress Bar? : No

English

Section Id : 485584886
Section Number : 1
Section type : Online
Mandatory or Optional : Mandatory
Number of Questions : 50
Number of Questions to be attempted : 40
Section Marks : 200
Enable Mark as Answered Mark for Review and Clear Response : Yes
Maximum Instruction Time : 0
Sub-Section Number : 1
Sub-Section Id : 4855842506
Question Shuffling Allowed : No
Is Section Default? : null

Question Number : 1 Question Id : 48558433946 Question Type : MCQ Option Shuffling : No Is Question Mandatory : No Calculator : None Response Time : N.A Think Time : N.A Minimum Instruction Time : 0

Correct Marks : 5 Wrong Marks : 1

Question Key Details :

Key	Value
Comprehension	Comp1

Read the following literary passage. Answer Questions:-

No Man is an Island

No man is an island,
Entire of itself,
Every man is a piece of the continent,
A part of the main,
if a clod be washed away by the sea,
Europe is the less.
As well as if a promontory were,
As well as if a manor of the friend's
Or of thine own were:
Any man's death diminishes me,
Because I am involved in mankind,
and therefore never send to know for whom the bell tolls;
It tolls for thee.

What is the essential idea of the passage?

1. The passage signifies a connection between all of humankind.
2. The passage signifies that all aquatic animals are connected.
3. The poet is uninvolved in mankind.
4. The poet wants to live in an island.

Options :

- 485584135781. 1
- 485584135782. 2
- 485584135783. 3
- 485584135784. 4

Question Number : 2 Question Id : 48558433947 Question Type : MCQ Option Shuffling : No Is Question Mandatory : No Calculator : None Response Time : N.A Think Time : N.A Minimum Instruction Time : 0

Correct Marks : 5 Wrong Marks : 1

Question Key Details :

Key	Value
Comprehension	Comp1

Read the following literary passage. Answer Questions:-

No Man is an Island

No man is an island,
Entire of itself,
Every man is a piece of the continent,
A part of the main,
if a clod be washed away by the sea,
Europe is the less.
As well as if a promontory were,
As well as if a manor of the friend's
Or of thine own were:
Any man's death diminishes me,
Because I am involved in mankind,
and therefore never send to know for whom the bell tolls;
It tolls for thee.

What is the meaning of the word 'clod'?

1. A ship
2. A child
3. Jellyfish
4. A lump of earth or clay

Options :

- 485584135785. 1
- 485584135786. 2
- 485584135787. 3
- 485584135788. 4

Question Number : 3 Question Id : 48558433948 Question Type : MCQ Option Shuffling : No Is Question Mandatory : No Calculator : None Response Time : N.A Think Time : N.A Minimum Instruction Time : 0

Correct Marks : 5 Wrong Marks : 1

Question Key Details :

Key	Value
Comprehension	Comp1

Read the following literary passage. Answer Questions:-

No Man is an Island

No man is an island,
Entire of itself,
Every man is a piece of the continent,
A part of the main,
if a clod be washed away by the sea,
Europe is the less.
As well as if a promontory were,
As well as if a manor of the friend's
Or of thine own were:
Any man's death diminishes me,
Because I am involved in mankind,
and therefore never send to know for whom the bell tolls;
It tolls for thee.

What is the name of the poetic device when there is a repetition of words/phrases at the beginning of successive lines?

1. Metaphor
2. Simili
3. Anaphora
4. Hyperbole

Options :

- 485584135789. 1
- 485584135790. 2
- 485584135791. 3
- 485584135792. 4

Question Number : 4 Question Id : 48558433949 Question Type : MCQ Option Shuffling : No Is Question Mandatory : No Calculator : None Response Time : N.A Think Time : N.A Minimum Instruction Time : 0

Correct Marks : 5 Wrong Marks : 1

Question Key Details :

Key	Value
Comprehension	Comp1

Read the following literary passage. Answer Questions:-

No Man is an Island

No man is an island,
Entire of itself,
Every man is a piece of the continent,
A part of the main,
if a clod be washed away by the sea,
Europe is the less.
As well as if a promontory were,
As well as if a manor of the friend's
Or of thine own were:
Any man's death diminishes me,
Because I am involved in mankind,
and therefore never send to know for whom the bell tolls;
It tolls for thee.

What does the clause "for whom the bell tolls" entail?

- 1. The arrival of a guest
- 2. The arrival of death
- 3. The Sunday church mass
- 4. Time to Pray

Options :

- 485584135793. 1
- 485584135794. 2
- 485584135795. 3
- 485584135796. 4

Question Number : 5 Question Id : 48558433950 Question Type : MCQ Option Shuffling : No Is Question Mandatory : No Calculator : None Response Time : N.A Think Time : N.A Minimum Instruction Time : 0

Correct Marks : 5 Wrong Marks : 1

Question Key Details :

Key	Value
Comprehension	Comp1

Read the following literary passage. Answer Questions:-

No Man is an Island

No man is an island,
Entire of itself,
Every man is a piece of the continent,
A part of the main,
if a clod be washed away by the sea,
Europe is the less.
As well as if a promontory were,
As well as if a manor of the friend's
Or of thine own were:
Any man's death diminishes me,
Because I am involved in mankind,
and therefore never send to know for whom the bell tolls;
It tolls for thee.

'No man is an Island' signifies that-

1. No man stands in isolation
2. All of humanity is connected
3. No man exists as a landmass
4. No island is inhabited by men

Options :

485584135797. 1
485584135798. 2
485584135799. 3
485584135800. 4

Sub-Section Number : 2
Sub-Section Id : 4855842507
Question Shuffling Allowed : No
Is Section Default? : null

Question Number : 6 Question Id : 48558433951 Question Type : MCQ Option Shuffling : No Is Question Mandatory :
No Calculator : None Response Time : N.A Think Time : N.A Minimum Instruction Time : 0

Correct Marks : 5 Wrong Marks : 1

Question Key Details :

Key	Value
Comprehension	Comp2

Read the passage and answer the question:

This is an age-old tale. A mother and her daughter Satto, lived in a village. During that time, the forests were full of fruits and flowers. The women and girls of the village used to go and pluck these fruits and flowers. All of them used to pluck the sweet flowers of the *mahua* (*Bassia Latifolia*) tree, stored them at home and consumed them later.

One day, all of them plucked the sweet flowers and kept them in their rooms without drying them. Satto's mother was not at home. Satto dried the sweet flowers. As the flowers dried, they shrunk. Later on when Satto's mother came home, she found very little flowers and thought that either Satto had eaten the flowers or she had given them to the village girls. In her blind rage, she beat her daughter to death. The women and girls of the village told her that she killed her daughter for such a trivial issue. They asked her to soak the flowers in water. When she soaked the *mahuas*, they swelled up and the entire room was filled with the flowers. Satto's mother was full of remorse. She regretted the fact that she killed her daughter without thinking. She died because of grief.

She was reborn as the *pandak* bird. The *pandak* bird still sings this song-

'Daughter Satto, the *mahuas* were in proper quantity...'

According to the passage, What kind of tale is the translated story?

1. Fairy tale
2. Modern tale
3. Age-old tale
4. Disney tale

Options :

485584135801. 1

485584135802. 2

485584135803. 3

485584135804. 4

Question Number : 7 Question Id : 48558433952 Question Type : MCQ Option Shuffling : No Is Question Mandatory :

No Calculator : None Response Time : N.A Think Time : N.A Minimum Instruction Time : 0

Correct Marks : 5 Wrong Marks : 1

Question Key Details :

Key	Value
Comprehension	Comp2

Read the passage and answer the question:

This is an age-old tale. A mother and her daughter Satto, lived in a village. During that time, the forests were full of fruits and flowers. The women and girls of the village used to go and pluck these fruits and flowers. All of them used to pluck the sweet flowers of the *mahua* (*Bassia Latifolia*) tree, stored them at home and consumed them later.

One day, all of them plucked the sweet flowers and kept them in their rooms without drying them. Satto's mother was not at home. Satto dried the sweet flowers. As the flowers dried, they shrunk. Later on when Satto's mother came home, she found very little flowers and thought that either Satto had eaten the flowers or she had given them to the village girls. In her blind rage, she beat her daughter to death. The women and girls of the village told her that she killed her daughter for such a trivial issue. They asked her to soak the flowers in water. When she soaked the *mahuas*, they swelled up and the entire room was filled with the flowers. Satto's mother was full of remorse. She regretted the fact that she killed her daughter without thinking. She died because of grief.

She was reborn as the *pandak* bird. The *pandak* bird still sings this song-

'Daughter Satto, the *mahuas* were in proper quantity...'

The antonym of the word 'remorse' is:

1. Regret
2. Rejoice
3. Repentance
4. Grief

Options :

- 485584135805. 1
- 485584135806. 2
- 485584135807. 3
- 485584135808. 4

Question Number : 8 Question Id : 48558433953 Question Type : MCQ Option Shuffling : No Is Question Mandatory : No Calculator : None Response Time : N.A Think Time : N.A Minimum Instruction Time : 0

Correct Marks : 5 Wrong Marks : 1

Question Key Details :

Key	Value
Comprehension	Comp2

Read the passage and answer the question:

This is an age-old tale. A mother and her daughter Satto, lived in a village. During that time, the forests were full of fruits and flowers. The women and girls of the village used to go and pluck these fruits and flowers. All of them used to pluck the sweet flowers of the *mahua* (*Bassia Latifolia*) tree, stored them at home and consumed them later.

One day, all of them plucked the sweet flowers and kept them in their rooms without drying them. Satto's mother was not at home. Satto dried the sweet flowers. As the flowers dried, they shrunk. Later on when Satto's mother came home, she found very little flowers and thought that either Satto had eaten the flowers or she had given them to the village girls. In her blind rage, she beat her daughter to death. The women and girls of the village told her that she killed her daughter for such a trivial issue. They asked her to soak the flowers in water. When she soaked the *mahuas*, they swelled up and the entire room was filled with the flowers. Satto's mother was full of remorse. She regretted the fact that she killed her daughter without thinking. She died because of grief.

She was reborn as the *pandak* bird. The *pandak* bird still sings this song-

'Daughter Satto, the *mahuas* were in proper quantity...'

As per the given passage, what was the mother reborn as?

1. an animal
2. a man
3. a woman
4. a bird

Options :

485584135809. 1
485584135810. 2
485584135811. 3
485584135812. 4

Question Number : 9 Question Id : 48558433954 Question Type : MCQ Option Shuffling : No Is Question Mandatory : No Calculator : None Response Time : N.A Think Time : N.A Minimum Instruction Time : 0

Correct Marks : 5 Wrong Marks : 1

Question Key Details :

Key	Value
Comprehension	Comp2

Read the passage and answer the question:

This is an age-old tale. A mother and her daughter Satto, lived in a village. During that time, the forests were full of fruits and flowers. The women and girls of the village used to go and pluck these fruits and flowers. All of them used to pluck the sweet flowers of the *mahua* (*Bassia Latifolia*) tree, stored them at home and consumed them later.

One day, all of them plucked the sweet flowers and kept them in their rooms without drying them. Satto's mother was not at home. Satto dried the sweet flowers. As the flowers dried, they shrunk. Later on when Satto's mother came home, she found very little flowers and thought that either Satto had eaten the flowers or she had given them to the village girls. In her blind rage, she beat her daughter to death. The women and girls of the village told her that she killed her daughter for such a trivial issue. They asked her to soak the flowers in water. When she soaked the *mahuas*, they swelled up and the entire room was filled with the flowers. Satto's mother was full of remorse. She regretted the fact that she killed her daughter without thinking. She died because of grief.

She was reborn as the *pandak* bird. The *pandak* bird still sings this song-

'Daughter Satto, the *mahuas* were in proper quantity...'

Why did the mother beat the daughter to death?

1. Because she went to pluck fruits and flowers without telling her.
2. Because Satto did not dry the flowers.
3. Because she thought Satto had eaten the flowers or given them to the village girls.
4. Because she was evil.

Options :

485584135813. 1

485584135814. 2

485584135815. 3

485584135816. 4

Question Number : 10 Question Id : 48558433955 Question Type : MCQ Option Shuffling : No Is Question Mandatory : No Calculator : None Response Time : N.A Think Time : N.A Minimum Instruction Time : 0

Correct Marks : 5 Wrong Marks : 1

Question Key Details :

Key	Value
Comprehension	Comp2

Read the passage and answer the question:

This is an age-old tale. A mother and her daughter Satto, lived in a village. During that time, the forests were full of fruits and flowers. The women and girls of the village used to go and pluck these fruits and flowers. All of them used to pluck the sweet flowers of the *mahua* (*Bassia Latifolia*) tree, stored them at home and consumed them later.

One day, all of them plucked the sweet flowers and kept them in their rooms without drying them. Satto's mother was not at home. Satto dried the sweet flowers. As the flowers dried, they shrunk. Later on when Satto's mother came home, she found very little flowers and thought that either Satto had eaten the flowers or she had given them to the village girls. In her blind rage, she beat her daughter to death. The women and girls of the village told her that she killed her daughter for such a trivial issue. They asked her to soak the flowers in water. When she soaked the *mahuas*, they swelled up and the entire room was filled with the flowers. Satto's mother was full of remorse. She regretted the fact that she killed her daughter without thinking. She died because of grief.

She was reborn as the *pandak* bird. The *pandak* bird still sings this song-

'Daughter Satto, the *mahuas* were in proper quantity...'

What happened Satto's mother soaked the flowers in water?

1. The entire room was filled with flowers as they soaked up
2. Satto came back to life
3. The flowers dissolved in water
4. The entire room was full of water

Options :

485584135817. 1

485584135818. 2

485584135819. 3

485584135820. 4

Sub-Section Number :

3

Sub-Section Id :

4855842508

Question Shuffling Allowed :

No

Is Section Default? :

null

Question Number : 11 Question Id : 48558433956 Question Type : MCQ Option Shuffling : No Is Question Mandatory :

No Calculator : None Response Time : N.A Think Time : N.A Minimum Instruction Time : 0

Correct Marks : 5 Wrong Marks : 1

Question Key Details :

Key	Value
Comprehension	Comp3

Once I was an archaeologist's assistant. I wandered up and down the country probing, exploring, and digging, in search of antiquities, a most interesting occupation, although cynics sometimes called us "grave-diggers." I enjoyed the work immensely. I had a master who was a famous archaeologist called Doctor something or other. He was superb, timeless being, who lived a thousand years behind the times, and who wanted neither food nor roof nor riches if only he was allowed to gaze on undisturbed at an old coin or chip of a burial urn.

He had torn up the earth in almost all parts of India and had brought to light very valuable information concerning the history and outlook of people of remote centuries. His monographs on each of his excavations filled several shelves in all the important libraries. And then, as our good fortune would have it, he received an inspiration that Malgudi district was eminently diggable. I am not competent to explain how he got this idea, but there it was. Word was brought to me that the great man was staying in the dak bungalow and was in need of an assistant. Within an hour of hearing it I stood before the great man. He was sitting on the floor with the most crazy collection of articles in front of him pots and beads and useless coins and palm leaves, all of them rusty and decaying. he had a lens by his side, through which he looked at these articles and made notes.

What does the branch of archaeology study?

1. Study of Soil
2. Study of past by excavating ground
3. Study of medicine
4. Study of minerals

Options :

- 485584135821. 1
- 485584135822. 2
- 485584135823. 3
- 485584135824. 4

Question Number : 12 Question Id : 48558433957 Question Type : MCQ Option Shuffling : No Is Question Mandatory : No Calculator : None Response Time : N.A Think Time : N.A Minimum Instruction Time : 0

Correct Marks : 5 Wrong Marks : 1

Question Key Details :

Key	Value
Comprehension	Comp3

Once I was an archaeologist's assistant. I wandered up and down the country probing, exploring, and digging, in search of antiquities, a most interesting occupation, although cynics sometimes called us "grave-diggers." I enjoyed the work immensely. I had a master who was a famous archaeologist called Doctor something or other. He was superb, timeless being, who lived a thousand years behind the times, and who wanted neither food nor roof nor riches if only he was allowed to gaze on undisturbed at an old coin or chip of a burial urn.

He had torn up the earth in almost all parts of India and had brought to light very valuable information concerning the history and outlook of people of remote centuries. His monographs on each of his excavations filled several shelves in all the important libraries. And then, as our good fortune would have it, he received an inspiration that Malgudi district was eminently diggable. I am not competent to explain how he got this idea, but there it was. Word was brought to me that the great man was staying in the dak bungalow and was in need of an assistant. Within an hour of hearing it I stood before the great man. He was sitting on the floor with the most crazy collection of articles in front of him pots and beads and useless coins and palm leaves, all of them rusty and decaying. he had a lens by his side, through which he looked at these articles and made notes.

Match List I with List II

LIST I		LIST II	
A.	The archaeologist had keen interest in	I.	all the important libraries
B.	The archaeologist was in need of	II.	almost all parts of India
C.	His monographs on excavations filled in	III.	old coin or chip of a burial urn
D.	The archaeologist had worked in	IV.	an assitant

Choose the correct answer from the options given below:

1. A-II, B-III, C-IV, D-I
2. A-III, B-IV, C-I, D-II
3. A-IV, B-III, C-II, D-I
4. A-I, B-III, C-II, D-IV

Options :

- 485584135825. 1
- 485584135826. 2
- 485584135827. 3
- 485584135828. 4

Question Number : 13 Question Id : 48558433958 Question Type : MCQ Option Shuffling : No Is Question Mandatory : No Calculator : None Response Time : N.A Think Time : N.A Minimum Instruction Time : 0

Correct Marks : 5 Wrong Marks : 1

Question Key Details :

Key	Value
Comprehension	Comp3

Once I was an archaeologist's assistant. I wandered up and down the country probing, exploring, and digging, in search of antiquities, a most interesting occupation, although cynics sometimes called us "grave-diggers." I enjoyed the work immensely. I had a master who was a famous archaeologist called Doctor something or other. He was superb, timeless being, who lived a thousand years behind the times, and who wanted neither food nor roof nor riches if only he was allowed to gaze on undisturbed at an old coin or chip of a burial urn.

He had torn up the earth in almost all parts of India and had brought to light very valuable information concerning the history and outlook of people of remote centuries. His monographs on each of his excavations filled several shelves in all the important libraries. And then, as our good fortune would have it, he received an inspiration that Malgudi district was eminently diggable. I am not competent to explain how he got this idea, but there it was. Word was brought to me that the great man was staying in the dark bungalow and was in need of an assistant. Within an hour of hearing it I stood before the great man. He was sitting on the floor with the most crazy collection of articles in front of him pots and beads and useless coins and palm leaves, all of them rusty and decaying. He had a lens by his side, through which he looked at these articles and made notes.

In which place did the archaeologist suddenly take interest?

1. Dark bungalow
2. Indian villages
3. Malgudi
4. Tamil Nadu

Options :

485584135829. 1
485584135830. 2
485584135831. 3
485584135832. 4

Question Number : 14 Question Id : 48558433959 Question Type : MCQ Option Shuffling : No Is Question Mandatory : No Calculator : None Response Time : N.A Think Time : N.A Minimum Instruction Time : 0

Correct Marks : 5 Wrong Marks : 1

Question Key Details :

Key	Value
Comprehension	Comp3

Once I was an archaeologist's assistant. I wandered up and down the country probing, exploring, and digging, in search of antiquities, a most interesting occupation, although cynics sometimes called us "grave-diggers." I enjoyed the work immensely. I had a master who was a famous archaeologist called Doctor something or other. He was superb, timeless being, who lived a thousand years behind the times, and who wanted neither food nor roof nor riches if only he was allowed to gaze on undisturbed at an old coin or chip of a burial urn.

He had torn up the earth in almost all parts of India and had brought to light very valuable information concerning the history and outlook of people of remote centuries. His monographs on each of his excavations filled several shelves in all the important libraries. And then, as our good fortune would have it, he received an inspiration that Malgudi district was eminently diggable. I am not competent to explain how he got this idea, but there it was. Word was brought to me that the great man was staying in the dak bungalow and was in need of an assistant. Within an hour of hearing it I stood before the great man. He was sitting on the floor with the most crazy collection of articles in front of him pots and beads and useless coins and palm leaves, all of them rusty and decaying. he had a lens by his side, through which he looked at these articles and made notes.

How do cynics called archaeologists 'grave-diggers'?

1. Mockingly
2. Proudly
3. Admirably
4. Sincerely

Options :

- 485584135833. 1
- 485584135834. 2
- 485584135835. 3
- 485584135836. 4

Question Number : 15 Question Id : 48558433960 Question Type : MCQ Option Shuffling : No Is Question Mandatory : No Calculator : None Response Time : N.A Think Time : N.A Minimum Instruction Time : 0

Correct Marks : 5 Wrong Marks : 1

Question Key Details :

Key	Value
Comprehension	Comp3

Once I was an archaeologist's assistant. I wandered up and down the country probing, exploring, and digging, in search of antiquities, a most interesting occupation, although cynics sometimes called us "grave-diggers." I enjoyed the work immensely. I had a master who was a famous archaeologist called Doctor something or other. He was superb, timeless being, who lived a thousand years behind the times, and who wanted neither food nor roof nor riches if only he was allowed to gaze on undisturbed at an old coin or chip of a burial urn.

He had torn up the earth in almost all parts of India and had brought to light very valuable information concerning the history and outlook of people of remote centuries. His monographs on each of his excavations filled several shelves in all the important libraries. And then, as our good fortune would have it, he received an inspiration that Malgudi district was eminently diggable. I am not competent to explain how he got this idea, but there it was. Word was brought to me that the great man was staying in the dak bungalow and was in need of an assistant. Within an hour of hearing it I stood before the great man. He was sitting on the floor with the most crazy collection of articles in front of him pots and beads and useless coins and palm leaves, all of them rusty and decaying. he had a lens by his side, through which he looked at these articles and made notes.

How do you know the archaeologist is an eminent figure?

1. He looked at old artifacts
2. His important monographs are in all reputed libraries
3. He needs an assistant
4. He used lens to inspect articles

Options :

- 485584135837. 1
- 485584135838. 2
- 485584135839. 3
- 485584135840. 4

Sub-Section Number : 4
Sub-Section Id : 4855842509
Question Shuffling Allowed : Yes
Is Section Default? : null

Question Number : 16 Question Id : 48558433961 Question Type : MCQ Option Shuffling : No Is Question Mandatory : No Calculator : None Response Time : N.A Think Time : N.A Minimum Instruction Time : 0

Correct Marks : 5 Wrong Marks : 1

Question Key Details :

Key	Value
Comprehension	MCQ

Convert the following sentence in Passive Voice by choosing the appropriate answer from the given list.

The soldiers promptly obeyed his command.

1. The command should be obeyed might now, soldiers.
2. The command was promptly obeyed by the soldiers.
3. Obey the command promptly soldiers!
4. The command is promptly obeyed by the soldiers.

Options :

- 485584135841. 1
- 485584135842. 2
- 485584135843. 3
- 485584135844. 4

Question Number : 17 Question Id : 48558433962 Question Type : MCQ Option Shuffling : No Is Question Mandatory : No Calculator : None Response Time : N.A Think Time : N.A Minimum Instruction Time : 0

Correct Marks : 5 Wrong Marks : 1

Question Key Details :

Key	Value
Comprehension	MCQ

Change the following Passive Voice to Active Voice by choosing the right answer from the given list.

'Somebody has invited them to lunch tomorrow'.

1. They have been invited to lunch by somebody tomorrow
2. They will go to lunch somebody's house the following day.
3. They have been invited to lunch tomorrow
4. They will be invited to lunch the next day.

Options :

- 485584135845. 1
- 485584135846. 2
- 485584135847. 3
- 485584135848. 4

Question Number : 18 Question Id : 48558433963 Question Type : MCQ Option Shuffling : No Is Question Mandatory : No Calculator : None Response Time : N.A Think Time : N.A Minimum Instruction Time : 0

Correct Marks : 5 Wrong Marks : 1

Question Key Details :

Key	Value
Comprehension	MCQ

Fill in the blank with an appropriate question tag:

Let's go to the beach, _____?

1. Can we?
2. Should we?
3. Can't we?
4. Shall we?

Options :

- 485584135849. 1
- 485584135850. 2
- 485584135851. 3
- 485584135852. 4

Question Number : 19 Question Id : 48558433964 Question Type : MCQ Option Shuffling : No Is Question Mandatory : No Calculator : None Response Time : N.A Think Time : N.A Minimum Instruction Time : 0

Correct Marks : 5 Wrong Marks : 1

Question Key Details :

Key	Value
Comprehension	MCQ

From the given options, choose the appropriate meaning of the following phrase.

"AB INITIO".

1. at the end
2. from the beginning
3. to go to the gym
4. entry into a cult

Options :

- 485584135853. 1
- 485584135854. 2
- 485584135855. 3
- 485584135856. 4

Question Number : 20 Question Id : 48558433965 Question Type : MCQ Option Shuffling : No Is Question Mandatory : No Calculator : None Response Time : N.A Think Time : N.A Minimum Instruction Time : 0

Correct Marks : 5 Wrong Marks : 1

Question Key Details :

Key	Value
Comprehension	MCQ

From the given options, choose the meaning for the given foreign word:

"MAGNUM OPUS"

1. Masterpiece
2. the worst opponent
3. dark chocolate
4. posterity

Options :

485584135857. 1
485584135858. 2
485584135859. 3
485584135860. 4

Question Number : 21 Question Id : 48558433966 Question Type : MCQ Option Shuffling : No Is Question Mandatory : No Calculator : None Response Time : N.A Think Time : N.A Minimum Instruction Time : 0

Correct Marks : 5 Wrong Marks : 1

Question Key Details :

Key	Value
Comprehension	MCQ

Choose the option that demonstrates the most appropriate use of articles

1. The Secretary and a Treasurer are absent
2. The Secretary and the Treasurer are absent
3. Secretary and Treasurer are absent
4. The Secretary and Treasurer are absent

Options :

485584135861. 1
485584135862. 2
485584135863. 3
485584135864. 4

Question Number : 22 Question Id : 48558433967 Question Type : MCQ Option Shuffling : No Is Question Mandatory : No Calculator : None Response Time : N.A Think Time : N.A Minimum Instruction Time : 0

Correct Marks : 5 Wrong Marks : 1

Question Key Details :

Key	Value
Comprehension	MCQ

Fill in the blank with an appropriate Article.

I am subscribed _____ the New York Times journal.

1. with
2. for
3. from
4. to

Options :

- 485584135865. 1
- 485584135866. 2
- 485584135867. 3
- 485584135868. 4

Question Number : 23 Question Id : 48558433968 Question Type : MCQ Option Shuffling : No Is Question Mandatory : No Calculator : None Response Time : N.A Think Time : N.A Minimum Instruction Time : 0

Correct Marks : 5 Wrong Marks : 1

Question Key Details :

Key	Value
Comprehension	MCQ

From the given options, choose the most appropriate meaning of the word:

"CARTOGRAPHER"

1. one who draws maps
2. study of fossils
3. one who collects stamps
4. a number of cases

Options :

- 485584135869. 1
- 485584135870. 2
- 485584135871. 3
- 485584135872. 4

Question Number : 24 Question Id : 48558433969 Question Type : MCQ Option Shuffling : No Is Question Mandatory : No Calculator : None Response Time : N.A Think Time : N.A Minimum Instruction Time : 0

Correct Marks : 5 Wrong Marks : 1

Question Key Details :

Key	Value
Comprehension	MCQ

Match the words in List I with their appropriate Synonyms in List II

LIST I		LIST II	
A.	Mortuary	I.	Home for the destitute
B.	Cantonment	II.	A place where money is coined
C.	Mint	III.	A place where dead bodies are temporarily kept
D.	Asylum	IV.	A place where soldiers are quartered

Choose the correct answer from the options given below:

1. A-II, B-III, C-IV, D-I
2. A-IV, B-II, C-III, D-I
3. A-III, B-IV, C-I, D-II
4. A-III, B-IV, C-II, D-I

Options :

485584135873. 1
485584135874. 2
485584135875. 3
485584135876. 4

Question Number : 25 Question Id : 48558433970 Question Type : MCQ Option Shuffling : No Is Question Mandatory : No Calculator : None Response Time : N.A Think Time : N.A Minimum Instruction Time : 0

Correct Marks : 5 Wrong Marks : 1

Question Key Details :

Key	Value
Comprehension	MCQ

Arrange the following headings of a formal letter in the correct order.

- A. Sender's address
- B. Salutation
- C. Receiver's address
- D. Subject
- E. Date

Choose the correct answer from the options given below:

1. B, A, C, E, D
2. E, D, C, A, B
3. A, B, C, D, E
4. A, E, C, D, B

Options :

485584135877. 1
485584135878. 2
485584135879. 3

Question Number : 26 Question Id : 48558433971 Question Type : MCQ Option Shuffling : No Is Question Mandatory : No Calculator : None Response Time : N.A Think Time : N.A Minimum Instruction Time : 0

Correct Marks : 5 Wrong Marks : 1

Question Key Details :

Key	Value
Comprehension	MCQ

Complete the given sentence by rearranging the jumbled phrases and form a coherent sentences. Choose the most appropriate option.

The lender's public meeting was disrupted.

P. by a section of the audience

Q. any firm assurance

R. he had not given them

S. who felt that

1. P, S, R, Q

2. Q, P, S, R

3. R, Q, P, S

4. S, R, Q, P

Options :

485584135881. 1

485584135882. 2

485584135883. 3

485584135884. 4

Question Number : 27 Question Id : 48558433972 Question Type : MCQ Option Shuffling : No Is Question Mandatory : No Calculator : None Response Time : N.A Think Time : N.A Minimum Instruction Time : 0

Correct Marks : 5 Wrong Marks : 1

Question Key Details :

Key	Value
Comprehension	MCQ

Choosing the most appropriate answer from the given list. Convert the following sentence in Direct Speech to Indirect Speech.

"I am guilty", the defended said.

1. The defendant admitted that he was guilty

2. The defendant accepted his guilt

3. The defendant said yes he was guilty

4. The guilty defendant accepted his fault

Options :

- 485584135885. 1
- 485584135886. 2
- 485584135887. 3
- 485584135888. 4

Question Number : 28 Question Id : 48558433973 Question Type : MCQ Option Shuffling : No Is Question Mandatory : No Calculator : None Response Time : N.A Think Time : N.A Minimum Instruction Time : 0

Correct Marks : 5 Wrong Marks : 1

Question Key Details :

Key	Value
Comprehension	MCQ

Choosing the most appropriate answer from the given list, convert the following sentence in Indirect speech to Direct speech.

I asked Sara whether Bill had given her that ring.

1. "Did Bill willing to give that ring?", "I asked Sara.
2. "Did Bill give you that ring?", I asked Sara.
3. "Can Bill give you a ring?", I asked Sara.
4. "Should Bill give you rings?", I asked Sara.

Options :

- 485584135889. 1
- 485584135890. 2
- 485584135891. 3
- 485584135892. 4

Question Number : 29 Question Id : 48558433974 Question Type : MCQ Option Shuffling : No Is Question Mandatory : No Calculator : None Response Time : N.A Think Time : N.A Minimum Instruction Time : 0

Correct Marks : 5 Wrong Marks : 1

Question Key Details :

Key	Value
Comprehension	MCQ

Convert the following Exclamatory Sentence to Assertive Sentence:

What a Lovely House!

1. Oh! What a lovely house!
2. The house that I am looking at is very lonely
3. It was a very lovely house indeed
4. What a lovely house am I looking at

Options :

- 485584135893. 1
- 485584135894. 2

485584135895. 3

485584135896. 4

Question Number : 30 Question Id : 48558433975 Question Type : MCQ Option Shuffling : No Is Question Mandatory : No Calculator : None Response Time : N.A Think Time : N.A Minimum Instruction Time : 0

Correct Marks : 5 Wrong Marks : 1

Question Key Details :

Key	Value
Comprehension	MCQ

Fill in the blanks with the appropriate pair of Homonyms:

I heard an _____ when I was going to the tailor for _____.

1. alteration, altercation
2. altercation, alteration
3. alternative, alteration
4. alternative, altercation

Options :

485584135897. 1

485584135898. 2

485584135899. 3

485584135900. 4

Question Number : 31 Question Id : 48558433976 Question Type : MCQ Option Shuffling : No Is Question Mandatory : No Calculator : None Response Time : N.A Think Time : N.A Minimum Instruction Time : 0

Correct Marks : 5 Wrong Marks : 1

Question Key Details :

Key	Value
Comprehension	MCQ

Arrange the following sentence in the proper order:

- A. for total destruction
- B. However, whether we have the capacity
- C. Remains debated
- D. through nuclear annihilation or such

Choose the correct answer from the options given below:

1. C, A, D, B
2. A, B, C, D
3. B, A, D, C
4. D, C, B, A

Options :

485584135901. 1

485584135902. 2

485584135903. 3

485584135904. 4

Question Number : 32 Question Id : 48558433977 Question Type : MCQ Option Shuffling : No Is Question Mandatory : No Calculator : None Response Time : N.A Think Time : N.A Minimum Instruction Time : 0

Correct Marks : 5 Wrong Marks : 1

Question Key Details :

Key	Value
Comprehension	MCQ

Choose the best option to convert the given Assertive Sentence into Exclamatory Sentence:

I wish I knew more people here.

1. If only I knew more people here!
2. What a pity to have known more people here.
3. Oh! Fie! I know nobody here.
4. Alas! I could have known more people here.

Options :

485584135905. 1

485584135906. 2

485584135907. 3

485584135908. 4

Question Number : 33 Question Id : 48558433978 Question Type : MCQ Option Shuffling : No Is Question Mandatory : No Calculator : None Response Time : N.A Think Time : N.A Minimum Instruction Time : 0

Correct Marks : 5 Wrong Marks : 1

Question Key Details :

Key	Value
Comprehension	MCQ

Fill in the appropriate modals in List I with the sentences given in List II

LIST I		LIST II	
A.	How _____ you shout at your best friend?	I.	can
B.	_____ we go to the beach then?	II.	should
C.	No one _____ question the ways of God	III.	shall
D.	We _____ respect our elders	IV.	could

Choose the correct answer from the options given below:

1. A-I, B-IV, C-III, D-II
2. A-II, B-III, C-I, D-IV
3. A-IV, B-III, C-I, D-II
4. A-III, B-II, C-I, D-IV

Options :

- 485584135909. 1
- 485584135910. 2
- 485584135911. 3
- 485584135912. 4

Question Number : 34 Question Id : 48558433979 Question Type : MCQ Option Shuffling : No Is Question Mandatory : No Calculator : None Response Time : N.A Think Time : N.A Minimum Instruction Time : 0

Correct Marks : 5 Wrong Marks : 1

Question Key Details :

Key	Value
Comprehension	MCQ

Fill in the blank with a proper modal so that the sentence sounds like a promise.

I _____ help you.

- 1. might
- 2. shouldn't
- 3. can
- 4. will

Options :

- 485584135913. 1
- 485584135914. 2
- 485584135915. 3
- 485584135916. 4

Question Number : 35 Question Id : 48558433980 Question Type : MCQ Option Shuffling : No Is Question Mandatory : No Calculator : None Response Time : N.A Think Time : N.A Minimum Instruction Time : 0

Correct Marks : 5 Wrong Marks : 1

Question Key Details :

Key	Value
Comprehension	MCQ

Identify the Adjective Clause in the following sentence.

"The spot where the battle was fought is unknown".

- 1. The spot where
- 2. where the battle was fought
- 3. The spot where the battle was fought
- 4. the battle was

Options :

- 485584135917. 1
- 485584135918. 2
- 485584135919. 3
- 485584135920. 4

Question Number : 36 Question Id : 48558433981 Question Type : MCQ Option Shuffling : No Is Question Mandatory : No Calculator : None Response Time : N.A Think Time : N.A Minimum Instruction Time : 0

Correct Marks : 5 Wrong Marks : 1

Question Key Details :

Key	Value
Comprehension	MCQ

Identify the error in the following sentence.

Each girl and each boy was given a red pencil.

1. Each girl and each boy
2. was given
3. a red pencil
4. No error

Options :

- 485584135921. 1
- 485584135922. 2
- 485584135923. 3
- 485584135924. 4

Question Number : 37 Question Id : 48558433982 Question Type : MCQ Option Shuffling : No Is Question Mandatory : No Calculator : None Response Time : N.A Think Time : N.A Minimum Instruction Time : 0

Correct Marks : 5 Wrong Marks : 1

Question Key Details :

Key	Value
Comprehension	MCQ

Identify the error in the following sentence.

He was not able to concentrate because of the continual music being played next door.

1. He was not able to concentrate
2. because of the continual music
3. being played next door
4. No error

Options :

- 485584135925. 1
- 485584135926. 2
- 485584135927. 3
- 485584135928. 4

Question Number : 38 Question Id : 48558433983 Question Type : MCQ Option Shuffling : No Is Question Mandatory : No Calculator : None Response Time : N.A Think Time : N.A Minimum Instruction Time : 0

Correct Marks : 5 Wrong Marks : 1

Question Key Details :

Key	Value
Comprehension	MCQ

Match List I with List II : Words with their antonyms

LIST I		LIST II	
Words		Antonyms	
A.	Meticulous	I.	Neglect
B.	Abrupt	II.	Active
C.	Nurse	III.	Careless
D.	Ennui	IV.	Gradual

Choose the correct answer from the options given below:

1. A-I, B-II, C-III, D-IV
2. A-III, B-IV, C-I, D-II
3. A-II, B-I, C-IV, D-III
4. A-IV, B-II, C-III, D-I

Options :

485584135929. 1
485584135930. 2
485584135931. 3
485584135932. 4

Question Number : 39 Question Id : 48558433984 Question Type : MCQ Option Shuffling : No Is Question Mandatory : No Calculator : None Response Time : N.A Think Time : N.A Minimum Instruction Time : 0

Correct Marks : 5 Wrong Marks : 1

Question Key Details :

Key	Value
Comprehension	MCQ

Choose the appropriate Antonym for the following word from the given list.

"ADRIOT"

1. Negate
2. Chumsy
3. Posture
4. Skillfull

Options :

485584135933. 1
485584135934. 2
485584135935. 3
485584135936. 4

Question Number : 40 Question Id : 48558433985 Question Type : MCQ Option Shuffling : No Is Question Mandatory : No Calculator : None Response Time : N.A Think Time : N.A Minimum Instruction Time : 0

Correct Marks : 5 Wrong Marks : 1

Question Key Details :

Key	Value
Comprehension	MCQ

Arrange the following sentence in the correct order.

- A. how efficient an administrator
- B. all days long
- C. The courtiers need to tell the king
- D. he was

Choose the correct answer from the options given below:

- 1. C, A, D, B
- 2. B, C, A, D
- 3. D, A, B, C
- 4. A, B, C, D

Options :

- 485584135937. 1
- 485584135938. 2
- 485584135939. 3
- 485584135940. 4

Question Number : 41 Question Id : 48558433986 Question Type : MCQ Option Shuffling : No Is Question Mandatory : No Calculator : None Response Time : N.A Think Time : N.A Minimum Instruction Time : 0

Correct Marks : 5 Wrong Marks : 1

Question Key Details :

Key	Value
Comprehension	MCQ

Fill in the blank with an appropriate preposition in the following sentence.

The boy fell _____ the roof.

- 1. under
- 2. off
- 3. of
- 4. since

Options :

- 485584135941. 1
- 485584135942. 2
- 485584135943. 3
- 485584135944. 4

Question Number : 42 Question Id : 48558433987 Question Type : MCQ Option Shuffling : No Is Question Mandatory : No Calculator : None Response Time : N.A Think Time : N.A Minimum Instruction Time : 0

Correct Marks : 5 Wrong Marks : 1

Question Key Details :

Key	Value
Comprehension	MCQ

Fill in the blanks with the correct pair of preposition in the given sentence.

They lived _____ Gohana, a small town _____ Haryana.

1. at, in
2. in, from
3. at, from
4. in, at

Options :

- 485584135945. 1
- 485584135946. 2
- 485584135947. 3
- 485584135948. 4

Question Number : 43 Question Id : 48558433988 Question Type : MCQ Option Shuffling : No Is Question Mandatory : No Calculator : None Response Time : N.A Think Time : N.A Minimum Instruction Time : 0

Correct Marks : 5 Wrong Marks : 1

Question Key Details :

Key	Value
Comprehension	MCQ

Choose the sentence with the correct use of the idiom/phrase from the given list:

1. His son put off a blind eye prank
2. He turned a blind eye to his son's prank
3. His father's blind eye turned at his prank
4. He turned blind to his son's prank

Options :

- 485584135949. 1
- 485584135950. 2
- 485584135951. 3
- 485584135952. 4

Question Number : 44 Question Id : 48558433989 Question Type : MCQ Option Shuffling : No Is Question Mandatory : No Calculator : None Response Time : N.A Think Time : N.A Minimum Instruction Time : 0

Correct Marks : 5 Wrong Marks : 1

Question Key Details :

Key	Value
Comprehension	MCQ

Match the idioms/phrases in List I with its meaning in List II

LIST I		LIST II	
A.	murder in cold blood	I.	to be in trouble
B.	go places	II.	murder ruthlessly
C.	A fly in the ointment	III.	a problem in a situation
D.	in the soup	IV.	be successful

Choose the correct answer from the options given below:

1. A-I, B-III, C-IV, D-II
2. A-IV, B-III, C-I, D-II
3. A-III, B-II, C-I, D-IV
4. A-II, B-IV, C-III, D-I

Options :

485584135953. 1
485584135954. 2
485584135955. 3
485584135956. 4

Question Number : 45 Question Id : 48558433990 Question Type : MCQ Option Shuffling : No Is Question Mandatory : No Calculator : None Response Time : N.A Think Time : N.A Minimum Instruction Time : 0

Correct Marks : 5 Wrong Marks : 1

Question Key Details :

Key	Value
Comprehension	MCQ

Fill in the blanks with the most appropriate phrasal verb from the alternatives given under the sentence.

In her old age she has no one to _____ her.

1. Look at
2. Look after
3. Look for
4. Look ones

Options :

485584135957. 1
485584135958. 2
485584135959. 3
485584135960. 4

Question Number : 46 Question Id : 48558433991 Question Type : MCQ Option Shuffling : No Is Question Mandatory : No Calculator : None Response Time : N.A Think Time : N.A Minimum Instruction Time : 0

Correct Marks : 5 Wrong Marks : 1

Question Key Details :

Key	Value
Comprehension	MCQ

Fill in the blanks with the most suitable phrasal verb from the alternatives given under the sentence.

The college will _____ next week for summer vacation.

1. Break up
2. Open up
3. Close down
4. Shut up

Options :

- 485584135961. 1
- 485584135962. 2
- 485584135963. 3
- 485584135964. 4

Question Number : 47 Question Id : 48558433992 Question Type : MCQ Option Shuffling : No Is Question Mandatory : No Calculator : None Response Time : N.A Think Time : N.A Minimum Instruction Time : 0

Correct Marks : 5 Wrong Marks : 1

Question Key Details :

Key	Value
Comprehension	MCQ

Some part of the sentence is grammatically incorrect. Pick the error.

Another surprising change that I noticed in him in recent times is that he avoids to speak to me.

1. Another surprising change
2. that is noticed in him in recent time
3. is that he avoids
4. to speak to me

Options :

- 485584135965. 1
- 485584135966. 2
- 485584135967. 3
- 485584135968. 4

Question Number : 48 Question Id : 48558433993 Question Type : MCQ Option Shuffling : No Is Question Mandatory : No Calculator : None Response Time : N.A Think Time : N.A Minimum Instruction Time : 0

Correct Marks : 5 Wrong Marks : 1

Question Key Details :

Key	Value
Comprehension	MCQ

Identify the type of adverb in the following sentence.

"I therefore left my apartment".

1. Adverb of frequency
2. Adverb of manner
3. Adverb of reason
4. Adverb of Time

Options :

- 485584135969. 1
- 485584135970. 2
- 485584135971. 3
- 485584135972. 4

Question Number : 49 Question Id : 48558433994 Question Type : MCQ Option Shuffling : No Is Question Mandatory : No Calculator : None Response Time : N.A Think Time : N.A Minimum Instruction Time : 0

Correct Marks : 5 Wrong Marks : 1

Question Key Details :

Key	Value
Comprehension	MCQ

Fill in the blank with an appropriate adverb.

They have _____ faith in their Guru.

1. Fairly good
2. wholly
3. very
4. too much

Options :

- 485584135973. 1
- 485584135974. 2
- 485584135975. 3
- 485584135976. 4

Question Number : 50 Question Id : 48558433995 Question Type : MCQ Option Shuffling : No Is Question Mandatory : No Calculator : None Response Time : N.A Think Time : N.A Minimum Instruction Time : 0

Correct Marks : 5 Wrong Marks : 1

Question Key Details :

Key	Value
Comprehension	MCQ

Choose the salutation used in a formal letter from the given options.

1. yours lovingly
2. yours sincerely
3. yours truly
4. yours punctually

Options :

485584135977. 1
485584135978. 2
485584135979. 3
485584135980. 4

Hindi

Group Number :	2
Group Id :	485584769
Group Maximum Duration :	45
Group Minimum Duration :	45
Show Attended Group? :	No
Edit Attended Group? :	No
Break time :	0
Group Marks :	200
Is this Group for Examiner? :	No
Examiner permission :	Cant View
Show Progress Bar? :	No

Hindi

Section Id :	485584887
Section Number :	1
Section type :	Online
Mandatory or Optional :	Mandatory
Number of Questions :	50
Number of Questions to be attempted :	40
Section Marks :	200
Enable Mark as Answered Mark for Review and Clear Response :	Yes
Maximum Instruction Time :	0
Sub-Section Number :	1
Sub-Section Id :	4855842510
Question Shuffling Allowed :	No
Is Section Default? :	null
Sub-Section Number :	2
Sub-Section Id :	4855842511
Question Shuffling Allowed :	No
Is Section Default? :	null
Sub-Section Number :	3
Sub-Section Id :	4855842512

Question Shuffling Allowed :	No
Is Section Default? :	null
Sub-Section Number :	4
Sub-Section Id :	4855842513
Question Shuffling Allowed :	Yes
Is Section Default? :	null

Odia

Group Number :	3
Group Id :	485584770
Group Maximum Duration :	45
Group Minimum Duration :	45
Show Attended Group? :	No
Edit Attended Group? :	No
Break time :	0
Group Marks :	200
Is this Group for Examiner? :	No
Examiner permission :	Cant View
Show Progress Bar? :	No

Odia

Section Id :	485584888
Section Number :	1
Section type :	Online
Mandatory or Optional :	Mandatory
Number of Questions :	50
Number of Questions to be attempted :	40
Section Marks :	200
Enable Mark as Answered Mark for Review and Clear Response :	Yes
Maximum Instruction Time :	0
Sub-Section Number :	1
Sub-Section Id :	4855842514
Question Shuffling Allowed :	No
Is Section Default? :	null
Sub-Section Number :	2
Sub-Section Id :	4855842515
Question Shuffling Allowed :	No
Is Section Default? :	null
Sub-Section Number :	3
Sub-Section Id :	4855842516
Question Shuffling Allowed :	No
Is Section Default? :	null
Sub-Section Number :	4
Sub-Section Id :	4855842517
Question Shuffling Allowed :	Yes
Is Section Default? :	null

Punjabi

Group Number :	4
Group Id :	485584771
Group Maximum Duration :	45
Group Minimum Duration :	45
Show Attended Group? :	No
Edit Attended Group? :	No
Break time :	0
Group Marks :	200
Is this Group for Examiner? :	No
Examiner permission :	Cant View
Show Progress Bar? :	No

Punjabi

Section Id :	485584889
Section Number :	1
Section type :	Online
Mandatory or Optional :	Mandatory
Number of Questions :	50
Number of Questions to be attempted :	40
Section Marks :	200
Enable Mark as Answered Mark for Review and Clear Response :	Yes
Maximum Instruction Time :	0
Sub-Section Number :	1
Sub-Section Id :	4855842518
Question Shuffling Allowed :	No
Is Section Default? :	null
Sub-Section Number :	2
Sub-Section Id :	4855842519
Question Shuffling Allowed :	No
Is Section Default? :	null
Sub-Section Number :	3
Sub-Section Id :	4855842520
Question Shuffling Allowed :	No
Is Section Default? :	null
Sub-Section Number :	4
Sub-Section Id :	4855842521
Question Shuffling Allowed :	Yes
Is Section Default? :	null

Tamil

Group Number :	5
Group Id :	485584772
Group Maximum Duration :	45
Group Minimum Duration :	45
Show Attended Group? :	No
Edit Attended Group? :	No
Break time :	0
Group Marks :	200
Is this Group for Examiner? :	No

Examiner permission : Cant View
Show Progress Bar? : No

Tamil

Section Id : 485584890
Section Number : 1
Section type : Online
Mandatory or Optional : Mandatory
Number of Questions : 50
Number of Questions to be attempted : 40
Section Marks : 200
Enable Mark as Answered Mark for Review and Clear Response : Yes
Maximum Instruction Time : 0
Sub-Section Number : 1
Sub-Section Id : 4855842522
Question Shuffling Allowed : No
Is Section Default? : null
Sub-Section Number : 2
Sub-Section Id : 4855842523
Question Shuffling Allowed : No
Is Section Default? : null
Sub-Section Number : 3
Sub-Section Id : 4855842524
Question Shuffling Allowed : No
Is Section Default? : null
Sub-Section Number : 4
Sub-Section Id : 4855842525
Question Shuffling Allowed : Yes
Is Section Default? : null

Spanish

Group Number : 6
Group Id : 485584773
Group Maximum Duration : 45
Group Minimum Duration : 45
Show Attended Group? : No
Edit Attended Group? : No
Break time : 0
Group Marks : 200
Is this Group for Examiner? : No
Examiner permission : Cant View
Show Progress Bar? : No

Spanish

Section Id : 485584891
Section Number : 1
Section type : Online
Mandatory or Optional : Mandatory

Number of Questions :	50
Number of Questions to be attempted :	40
Section Marks :	200
Enable Mark as Answered Mark for Review and Clear Response :	Yes
Maximum Instruction Time :	0
Sub-Section Number :	1
Sub-Section Id :	4855842526
Question Shuffling Allowed :	No
Is Section Default? :	null
Sub-Section Number :	2
Sub-Section Id :	4855842527
Question Shuffling Allowed :	No
Is Section Default? :	null
Sub-Section Number :	3
Sub-Section Id :	4855842528
Question Shuffling Allowed :	No
Is Section Default? :	null
Sub-Section Number :	4
Sub-Section Id :	4855842529
Question Shuffling Allowed :	Yes
Is Section Default? :	null

Anthropology

Group Number :	7
Group Id :	485584774
Group Maximum Duration :	45
Group Minimum Duration :	45
Show Attended Group? :	No
Edit Attended Group? :	No
Break time :	0
Group Marks :	200
Is this Group for Examiner? :	No
Examiner permission :	Cant View
Show Progress Bar? :	No

Anthropology

Section Id :	485584892
Section Number :	1
Section type :	Online
Mandatory or Optional :	Mandatory
Number of Questions :	50
Number of Questions to be attempted :	40
Section Marks :	200
Enable Mark as Answered Mark for Review and Clear Response :	Yes
Maximum Instruction Time :	0
Sub-Section Number :	1
Sub-Section Id :	4855842530
Question Shuffling Allowed :	Yes
Is Section Default? :	null

Question Number : 51 Question Id : 48558434206 Question Type : MCQ Option Shuffling : No Is Question Mandatory : No Calculator : None Response Time : N.A Think Time : N.A Minimum Instruction Time : 0
Correct Marks : 5 Wrong Marks : 1
Question Key Details :

Key	Value
Comprehension	MCQ

The science of genetics is an important discipline which deals with the:

1. Study of organism in their natural habitat
2. Study of relation of humans and their culture
3. Study of heredity or mechanism of inheritance
4. Study of micro-organism

Options :

485584136821. 1
485584136822. 2
485584136823. 3
485584136824. 4

Question Number : 51 Question Id : 48558434206 Question Type : MCQ Option Shuffling : No Is Question Mandatory : No Calculator : None Response Time : N.A Think Time : N.A Minimum Instruction Time : 0
Correct Marks : 5 Wrong Marks : 1
Question Key Details :

Key	Value
Comprehension	MCQ

આનુવંશીક વિજ્ઞાન અને મહત્વપૂર્ણ શાસ્ત્ર જે સાથે વ્યવહાર કરે છે.

1. તેમના કુદરતી નિવાસ્થાનોમાં સજીવોનો અભ્યાસ
2. માનવ અને તેની સંસ્કૃતી વચ્ચેના સંબંધનો અભ્યાસ
3. આનુવંશીકતા અને વારસાની પદ્ધતિનો અભ્યાસ
4. સૂક્ષ્મ જીવોનો અભ્યાસ

Options :

485584136821. 1
485584136822. 2
485584136823. 3
485584136824. 4

Question Number : 52 Question Id : 48558434207 Question Type : MCQ Option Shuffling : No Is Question Mandatory : No Calculator : None Response Time : N.A Think Time : N.A Minimum Instruction Time : 0
Correct Marks : 5 Wrong Marks : 1
Question Key Details :

Key	Value
Comprehension	MCQ

Scientists associated with rediscovery of Mendel's law were.

1. de Vries, Carrens and von Tschermak
2. Walter Sutton, Landsteiner and Theodore Boveri
3. Longdon Varies, James Watson and Mark Chose
4. Alfred Hershey, Peter Curtstein and Victor Hugo

Options :

485584136825. 1
485584136826. 2
485584136827. 3
485584136828. 4

Question Number : 52 Question Id : 48558434207 Question Type : MCQ Option Shuffling : No Is Question Mandatory : No Calculator : None Response Time : N.A Think Time : N.A Minimum Instruction Time : 0

Correct Marks : 5 Wrong Marks : 1

Question Key Details :

Key	Value
Comprehension	MCQ

મેન્ડલના કાયદાની શોધ સાથે સંકળાયેલા વૈજ્ઞાનિક હતા.

1. ડી.વ્રીસ. કારેન્સ અને વોન સ્કેરમાક
2. વોલ્ટ સુટોન, લેન્ડ સ્ટેનર અને થીયોડોર બોવેરી
3. લોગડોન વેરીસ, જેમ્સ વોટસન અને માર્કયોઝ
4. એલ્ફ્રેડ હેસ્લી, પીટર કરસ્ટેઈન, અને વિક્ટર યુગો

Options :

485584136825. 1
485584136826. 2
485584136827. 3
485584136828. 4

Question Number : 53 Question Id : 48558434208 Question Type : MCQ Option Shuffling : No Is Question Mandatory : No Calculator : None Response Time : N.A Think Time : N.A Minimum Instruction Time : 0

Correct Marks : 5 Wrong Marks : 1

Question Key Details :

Key	Value
Comprehension	MCQ

The production of gametes by the parents, the formation of the Zygotes, the F1 and F2 plants can be understood from a diagram called as:

1. Mendel Square
2. Punnett Square
3. Watson Square
4. Francis Crick Square

Options :

485584136829. 1
485584136830. 2
485584136831. 3
485584136832. 4

Question Number : 53 Question Id : 48558434208 Question Type : MCQ Option Shuffling : No Is Question Mandatory : No Calculator : None Response Time : N.A Think Time : N.A Minimum Instruction Time : 0

Correct Marks : 5 Wrong Marks : 1

Question Key Details :

Key	Value
Comprehension	MCQ

માતાપિતા દ્વારા ગેમેટ્સનું ઉત્પાદન, ઝાપગોટ્સની રચના F1 અને F2 છોડ કહેવાય છે તે આકૃતિ પરથી સમજી શકાય છે.

1. મેન્ડલ નો ચોરસ
2. પુનેટનો ચોરસ
3. વોટ્સનનો ચોરસ
4. ફ્રાન્સીસ ક્રીકનો ચોરસ

Options :

485584136829. 1
485584136830. 2
485584136831. 3
485584136832. 4

Question Number : 54 Question Id : 48558434209 Question Type : MCQ Option Shuffling : No Is Question Mandatory : No Calculator : None Response Time : N.A Think Time : N.A Minimum Instruction Time : 0

Correct Marks : 5 Wrong Marks : 1

Question Key Details :

Key	Value
Comprehension	MCQ

The belief without scientific basis that some "races" are inferior to others is known as:

1. Ethnocentrism
2. Racism
3. Cultural relativism
4. Animatism

Options :

485584136833. 1
485584136834. 2
485584136835. 3
485584136836. 4

Question Number : 54 Question Id : 48558434209 Question Type : MCQ Option Shuffling : No Is Question Mandatory : No Calculator : None Response Time : N.A Think Time : N.A Minimum Instruction Time : 0

Correct Marks : 5 Wrong Marks : 1

Question Key Details :

Key	Value
Comprehension	MCQ

વૈજ્ઞાનિક આધાર વગરની માન્યતા કે કેટલીક જાતિઓ અન્ય કરતા હલકી ગુણવત્તા વાળા હોય છે. જેને ઓળખાય છે.

1. વંશીય કેન્દ્રવાદ
2. જાતિવાદ
3. સાંસ્કૃતિક સાપેક્ષવાદ
4. જીવવાદ

Options :

485584136833. 1
485584136834. 2
485584136835. 3
485584136836. 4

Question Number : 55 Question Id : 48558434210 Question Type : MCQ Option Shuffling : No Is Question Mandatory : No Calculator : None Response Time : N.A Think Time : N.A Minimum Instruction Time : 0

Correct Marks : 5 Wrong Marks : 1

Question Key Details :

Key	Value
Comprehension	MCQ

The Fibrinogen has got some special features. It may cause clotting in whole blood by creating certain fibrous substances known as:

1. Clot
2. Lymph
3. PLASMA
4. Fibrin

Options :

485584136837. 1
485584136838. 2
485584136839. 3
485584136840. 4

Question Number : 55 Question Id : 48558434210 Question Type : MCQ Option Shuffling : No Is Question Mandatory : No Calculator : None Response Time : N.A Think Time : N.A Minimum Instruction Time : 0

Correct Marks : 5 Wrong Marks : 1

Question Key Details :

Key	Value
Comprehension	MCQ

ફાઇબ્રિન માં કેટલાક વિશિષ્ટ લક્ષણો છે તે કેટલાક રેશાવાળા પદાર્થ બનાવીને આખા લોહીમાં ગંઠાઈ જવાનું કારણ બની શકે છે.

1. ગાઠ (ગંઠાઈ)
2. લસિકા
3. પ્લાઝમા
4. ફાઇબ્રિન

Options :

485584136837. 1
485584136838. 2
485584136839. 3
485584136840. 4

Question Number : 56 Question Id : 48558434211 Question Type : MCQ Option Shuffling : No Is Question Mandatory : No Calculator : None Response Time : N.A Think Time : N.A Minimum Instruction Time : 0

Correct Marks : 5 Wrong Marks : 1

Question Key Details :

Key	Value
Comprehension	MCQ

Match List I with List II

LIST I Persons of blood group		LIST II Can receive blood from persons having blood group	
A.	A	I.	O
B.	B	II.	A, B, AB, O
C.	AB	III.	B, O
D.	O	IV.	A, O

Choose the correct answer from the options given below:

1. A-IV, B-II, C-III, D-I
2. A-I, B-II, C-III, D-IV
3. A-IV, B-III, C-II, D-I
4. A-II, B-III, C-I, D-IV

Options :

485584136841. 1
485584136842. 2
485584136843. 3
485584136844. 4

Question Number : 56 Question Id : 48558434211 Question Type : MCQ Option Shuffling : No Is Question Mandatory : No Calculator : None Response Time : N.A Think Time : N.A Minimum Instruction Time : 0

Correct Marks : 5 Wrong Marks : 1

Question Key Details :

Key	Value
Comprehension	MCQ

સૂચિ I ને સૂચિ II સાથે જોડો.

સૂચિ I વ્યક્તિનું લોહીનું ગ્રુપ		સૂચિ II બ્લડગ્રુપ ધરાવતી વ્યક્તિઓ પાસેથી લોહી લઈ શકે છે.	
A.	A	I.	O
B.	B	II.	A, B, AB, O
C.	AB	III.	B, O
D.	O	IV.	A, O

નીચે આપેલા વિકલ્પોમાંથી સાચો જવાબ પસંદ કરો.

1. A-IV, B-II, C-III, D-I
2. A-I, B-II, C-III, D-IV
3. A-IV, B-III, C-II, D-I
4. A-II, B-III, C-I, D-IV

Options :

485584136841. 1

485584136842. 2
485584136843. 3
485584136844. 4

**Question Number : 57 Question Id : 48558434212 Question Type : MCQ Option Shuffling : No Is Question Mandatory :
No Calculator : None Response Time : N.A Think Time : N.A Minimum Instruction Time : 0**

Correct Marks : 5 Wrong Marks : 1

Question Key Details :

Key	Value
Comprehension	MCQ

Write the following in chronological order beginning from the oldest to the newest.

- A. Microliths
- B. Copper - clay culture
- C. Core tool industry
- D. Flake tool culture
- E. Blade tool culture

Choose the correct answer from the options given below:

- 1. A, B, C, D, E
- 2. C, D, A, B, E
- 3. E, A, B, C, D
- 4. C, D, E, A, B

Options :

485584136845. 1
485584136846. 2
485584136847. 3
485584136848. 4

**Question Number : 57 Question Id : 48558434212 Question Type : MCQ Option Shuffling : No Is Question Mandatory :
No Calculator : None Response Time : N.A Think Time : N.A Minimum Instruction Time : 0**

Correct Marks : 5 Wrong Marks : 1

Question Key Details :

Key	Value
Comprehension	MCQ

સૌથી જુનાથી નવા સુધીના શરૂઆતના કાળક્રમમાં નીચેના ગોઠવો

- A. માઈક્રોવાથિ,
- B. કોપર-માટી સંસ્કૃતિ
- C. મુખ્ય સાધન ઉદ્યોગ
- D. પરત ઉપકરણ સંસ્કૃતિ
- E. ધાર ઉપકરણ સંસ્કૃતિ

નીચે આપેલા વિકલ્પોમાંથી સાચો જવાબ પસંદ કરો.

- 1. A, B, C, D, E
- 2. C, D, A, B, E
- 3. E, A, B, C, D
- 4. C, D, E, A, B

Options :

- 485584136845. 1
- 485584136846. 2
- 485584136847. 3
- 485584136848. 4

Question Number : 58 Question Id : 48558434213 Question Type : MCQ Option Shuffling : No Is Question Mandatory : No Calculator : None Response Time : N.A Think Time : N.A Minimum Instruction Time : 0

Correct Marks : 5 Wrong Marks : 1

Question Key Details :

Key	Value
Comprehension	MCQ

To determine the genotype of a tall plant at F_2 generation, Mendel crossed the tall plant from F_2 generation with a dwarf plant. This he called as:

- 1. Monohybrid Cross
- 2. Dihybrid Cross
- 3. Back Cross
- 4. Test Cross

Options :

- 485584136849. 1
- 485584136850. 2
- 485584136851. 3
- 485584136852. 4

Question Number : 58 Question Id : 48558434213 Question Type : MCQ Option Shuffling : No Is Question Mandatory : No Calculator : None Response Time : N.A Think Time : N.A Minimum Instruction Time : 0

Correct Marks : 5 Wrong Marks : 1

Question Key Details :

Key	Value
-----	-------

F₂ જનરેશનમાં એક લાબા છોડના જીનોટાઇપને નિર્ધારિત કરવા માટે મેડલ ને F₂ પેઢીના લાંબા છોડને એક વામન છોડથી પસાર કર્યું અને તેઓએ કહ્યું.

1. મોનોહાઇબ્રિડ ક્રોસ
2. ડિહાઇબ્રિડ ક્રોસ
3. બ્લેક ક્રોસ
4. ટેસ્ટ ક્રોસ

Options :

485584136849. 1
485584136850. 2
485584136851. 3
485584136852. 4

Question Number : 59 Question Id : 48558434214 Question Type : MCQ Option Shuffling : No Is Question Mandatory : No Calculator : None Response Time : N.A Think Time : N.A Minimum Instruction Time : 0

Correct Marks : 5 Wrong Marks : 1

Question Key Details :

Key	Value
Comprehension	MCQ

Which of the following does not belong to the Mendel's law of inheritance.

1. Law of Dominance
2. Law of Segregation
3. Use and Disuse of organs
4. Law of Purity of gametes

Options :

485584136853. 1
485584136854. 2
485584136855. 3
485584136856. 4

Question Number : 59 Question Id : 48558434214 Question Type : MCQ Option Shuffling : No Is Question Mandatory : No Calculator : None Response Time : N.A Think Time : N.A Minimum Instruction Time : 0

Correct Marks : 5 Wrong Marks : 1

Question Key Details :

Key	Value
Comprehension	MCQ

નીચેના પૈકી કયુ મેન્ડલના વારસાના કાયદા સાથે સંકલ્પિત નથી.

1. વર્ચસ્વનો કાયદો
2. અલગતાનો કાયદો
3. અંગોનો ઉપયોગ અને દુરુપયોગ
4. ગેમેટ્સની શુદ્ધતાનો કાયદો

Options :

485584136853. 1
485584136854. 2
485584136855. 3
485584136856. 4

Question Number : 60 Question Id : 48558434215 Question Type : MCQ Option Shuffling : No Is Question Mandatory : No Calculator : None Response Time : N.A Think Time : N.A Minimum Instruction Time : 0

Correct Marks : 5 Wrong Marks : 1

Question Key Details :

Key	Value
Comprehension	MCQ

Which of the following are considered as primary race ?

- A. Mongoloid
- B. Australoid
- C. Veddoid
- D. Negroid
- E. Caucasoid

Choose the correct answer from the options given below:

1. A, D and E only
2. A, B and C only
3. B, C and D only
4. C, D and E only

Options :

485584136857. 1
485584136858. 2
485584136859. 3
485584136860. 4

Question Number : 60 Question Id : 48558434215 Question Type : MCQ Option Shuffling : No Is Question Mandatory : No Calculator : None Response Time : N.A Think Time : N.A Minimum Instruction Time : 0

Correct Marks : 5 Wrong Marks : 1

Question Key Details :

Key	Value
Comprehension	MCQ

નીચેનામાંથી કઈ પ્રથમિક નીતી તરીકે ગણવામાં આવે છે ?

- A. મોંગોલોઈડ
- B. ઓસ્ટ્રોલોઈડ
- C. વેડોઈડ
- D. નિગ્રોઈડ
- E. કોકાસોઈડ

નીચે આપેલા વિકલ્પોમાંથી સાચો જવાબ પસંદ કરો.

- 1. માત્ર A, D અને E
- 2. માત્ર A, B અને C
- 3. માત્ર B, C અને D
- 4. માત્ર C, D અને E

Options :

- 485584136857. 1
- 485584136858. 2
- 485584136859. 3
- 485584136860. 4

Question Number : 61 Question Id : 48558434216 Question Type : MCQ Option Shuffling : No Is Question Mandatory : No Calculator : None Response Time : N.A Think Time : N.A Minimum Instruction Time : 0

Correct Marks : 5 Wrong Marks : 1

Question Key Details :

Key	Value
Comprehension	MCQ

Match List I with List II

LIST I		LIST II	
A.	Anvil technique	I.	Swinging blow method
B.	Blade technique	II.	Negative Bulb of Percussion
C.	Clactonian technique	III.	Blade Tools
D.	Stone hammer technique	IV.	Handaxes

Choose the correct answer from the options given below:

- 1. A-IV, B-II, C-I, D-III
- 2. A-IV, B-III, C-I, D-II
- 3. A-I, B-II, C-III, D-IV
- 4. A-II, B-III, C-IV, D-I

Options :

- 485584136861. 1
- 485584136862. 2
- 485584136863. 3

485584136864. 4

Question Number : 61 Question Id : 48558434216 Question Type : MCQ Option Shuffling : No Is Question Mandatory : No Calculator : None Response Time : N.A Think Time : N.A Minimum Instruction Time : 0

Correct Marks : 5 Wrong Marks : 1

Question Key Details :

Key	Value
Comprehension	MCQ

સૂચિ I ને સૂચિ II સાથે જોડો.

સૂચિ I		સૂચિ II	
A.	એરણા ટેકનીક	I.	મોટા પરદાર
B.	બ્લેડ ટેકનીક	II.	પર્યુસનનો નિષેધક બલ્બ
C.	કલેટોનિયન ટેકનીક	III.	બ્લેડ સાધન
D.	પથ્થર અને ઘણા ટેકનીક	IV.	કુઠાર

નીચે આપેલા વિકલ્પોમાંથી સાચો જવાબ પસંદ કરો.

1. A-IV, B-II, C-I, D-III
2. A-IV, B-III, C-I, D-II
3. A-I, B-II, C-III, D-IV
4. A-II, B-III, C-IV, D-I

Options :

485584136861. 1
485584136862. 2
485584136863. 3
485584136864. 4

Question Number : 62 Question Id : 48558434217 Question Type : MCQ Option Shuffling : No Is Question Mandatory : No Calculator : None Response Time : N.A Think Time : N.A Minimum Instruction Time : 0

Correct Marks : 5 Wrong Marks : 1

Question Key Details :

Key	Value
Comprehension	MCQ

The first metal used in the human culture to make various implements was:

1. Bronze
2. Iron
3. Zinc
4. Copper

Options :

485584136865. 1
485584136866. 2
485584136867. 3

485584136868.4

Question Number : 62 Question Id : 48558434217 Question Type : MCQ Option Shuffling : No Is Question Mandatory : No Calculator : None Response Time : N.A Think Time : N.A Minimum Instruction Time : 0

Correct Marks : 5 Wrong Marks : 1

Question Key Details :

Key	Value
Comprehension	MCQ

વિવિધ ઓજારો બનાવવા માટે માનવ સંસ્કૃતિમાં સૌ પ્રથમ ઉપયોગ થતો હતો

1. કાસુ
2. લોખંડ
3. જસત
4. તાબુ

Options :

- 485584136865.1
485584136866.2
485584136867.3
485584136868.4

Question Number : 63 Question Id : 48558434218 Question Type : MCQ Option Shuffling : No Is Question Mandatory : No Calculator : None Response Time : N.A Think Time : N.A Minimum Instruction Time : 0

Correct Marks : 5 Wrong Marks : 1

Question Key Details :

Key	Value
Comprehension	MCQ

Chopper - Chopping comprises of which of the following types?

- A. Pebble tool
- B. Chopper
- C. Chopping
- D. Proto handaxe
- E. Points

Choose the correct answer from the options given below:

1. A, B, C, E only
2. B, C, D and E only
3. A, B, C and D only
4. A, B, and E only

Options :

- 485584136869.1
485584136870.2
485584136871.3

485584136872. 4

Question Number : 63 Question Id : 48558434218 Question Type : MCQ Option Shuffling : No Is Question Mandatory : No Calculator : None Response Time : N.A Think Time : N.A Minimum Instruction Time : 0

Correct Marks : 5 Wrong Marks : 1

Question Key Details :

Key	Value
Comprehension	MCQ

કુલ્હાડી-કપાઈ માં નીચેનામાંથી કયા પ્રકારનો સમાવેશ થાય છે ?

- A. કાંકરાનું સાધન
- B. કુલ્હાડી
- C. કપાઈ
- D. અધિ હાથ કુલ્હાડી
- E. Points

નીચે આપેલા વિકલ્પોમાંથી સાચો જવાબ પસંદ કરો.

- 1. માત્ર A, B, C, E
- 2. માત્ર B, C, D અને E
- 3. માત્ર A, B, C અને D
- 4. માત્ર A, B, અને E

Options :

485584136869. 1

485584136870. 2

485584136871. 3

485584136872. 4

Question Number : 64 Question Id : 48558434219 Question Type : MCQ Option Shuffling : No Is Question Mandatory : No Calculator : None Response Time : N.A Think Time : N.A Minimum Instruction Time : 0

Correct Marks : 5 Wrong Marks : 1

Question Key Details :

Key	Value
Comprehension	MCQ

_____ is believed to have dominated the Middle Palaeolithic stage of human culture.

- 1. Homo-sapien sapien
- 2. Narmada man
- 3. Neanderthal man
- 4. Homo erectus

Options :

485584136873. 1

485584136874. 2

485584136875. 3

485584136876. 4

Question Number : 64 Question Id : 48558434219 Question Type : MCQ Option Shuffling : No Is Question Mandatory : No Calculator : None Response Time : N.A Think Time : N.A Minimum Instruction Time : 0

Correct Marks : 5 Wrong Marks : 1

Question Key Details :

Key	Value
Comprehension	MCQ

_____ માનવ સંસ્કૃતિના મધ્ય પાષણ પણમાં પ્રભુત્વ ધરાવતું હોવાનું માનવામાં આવે છે.

1. હોમો-સેપીયન સેપીયન
2. નર્મદા - પુરુષ
3. અસંસ્કારી / અસભ્ય પુરુષ
4. હોમો ઇરેક્ટસ

Options :

485584136873. 1

485584136874. 2

485584136875. 3

485584136876. 4

Question Number : 65 Question Id : 48558434220 Question Type : MCQ Option Shuffling : No Is Question Mandatory : No Calculator : None Response Time : N.A Think Time : N.A Minimum Instruction Time : 0

Correct Marks : 5 Wrong Marks : 1

Question Key Details :

Key	Value
Comprehension	MCQ

The earliest occurrence of Middle Palaeolithic cultural phase in India is dated around:

1. 1,00,000 BC
2. 10,000 BC
3. 36,000 BC
4. 3,60,000 BC

Options :

485584136877. 1

485584136878. 2

485584136879. 3

485584136880. 4

Question Number : 65 Question Id : 48558434220 Question Type : MCQ Option Shuffling : No Is Question Mandatory : No Calculator : None Response Time : N.A Think Time : N.A Minimum Instruction Time : 0

Correct Marks : 5 Wrong Marks : 1

Question Key Details :

Key	Value
Comprehension	MCQ

ભારતમાં મધ્ય પુરાણ પાષાણ સંસ્કૃતિ સમયની સૌથી પહેલી ઘટના આસપાસની છે.

1. 1,00,000 BC
2. 10,000 BC
3. 36,000 BC
4. 3,60,000 BC

Options :

485584136877. 1
485584136878. 2
485584136879. 3
485584136880. 4

Question Number : 66 Question Id : 48558434221 Question Type : MCQ Option Shuffling : No Is Question Mandatory : No Calculator : None Response Time : N.A Think Time : N.A Minimum Instruction Time : 0

Correct Marks : 5 Wrong Marks : 1

Question Key Details :

Key	Value
Comprehension	MCQ

The transitional period between Upper Palaeolithic and Neolithic is:

1. Lower Palaeolithic
2. Middle Palaeolithic
3. Mesolithic
4. Chalcolithic Culture

Options :

485584136881. 1
485584136882. 2
485584136883. 3
485584136884. 4

Question Number : 66 Question Id : 48558434221 Question Type : MCQ Option Shuffling : No Is Question Mandatory : No Calculator : None Response Time : N.A Think Time : N.A Minimum Instruction Time : 0

Correct Marks : 5 Wrong Marks : 1

Question Key Details :

Key	Value
Comprehension	MCQ

ઉપરી પુરાપાષાણ અને નવપુરાપાષાણ યુગની વચ્ચેનો સંક્રમણ સમય ગાળો છે.

1. નિમ્ન પ્રાચીન પાષાણ યુગ
2. મધ્ય પ્રાચીન પાષાણ યુગ
3. પ્રાચીન અને નવીન યુગની વચ્ચે
4. તામ્રપાષાણ સંસ્કૃતિ

Options :

485584136881. 1
485584136882. 2
485584136883. 3
485584136884. 4

Question Number : 67 Question Id : 48558434222 Question Type : MCQ Option Shuffling : No Is Question Mandatory : No Calculator : None Response Time : N.A Think Time : N.A Minimum Instruction Time : 0

Correct Marks : 5 Wrong Marks : 1

Question Key Details :

Key	Value
Comprehension	MCQ

The earliest manifestation of Neolithic Culture in South India is seen at.

1. Burzahom
2. Bagor
3. Sanganakallu
4. Hathnora

Options :

485584136885. 1
485584136886. 2
485584136887. 3
485584136888. 4

Question Number : 67 Question Id : 48558434222 Question Type : MCQ Option Shuffling : No Is Question Mandatory : No Calculator : None Response Time : N.A Think Time : N.A Minimum Instruction Time : 0

Correct Marks : 5 Wrong Marks : 1

Question Key Details :

Key	Value
Comprehension	MCQ

દક્ષિણ ભારતમાં નવપાષાણ સંસ્કૃતિની સૌથી પહેલી અભિવ્યક્તિ અહીં જોવા મળે છે.

1. બુર્ગાન
2. બગોર
3. સાગના કલ્લુ
4. હથમોરા

Options :

485584136885. 1
485584136886. 2
485584136887. 3
485584136888. 4

Question Number : 68 Question Id : 48558434223 Question Type : MCQ Option Shuffling : No Is Question Mandatory : No Calculator : None Response Time : N.A Think Time : N.A Minimum Instruction Time : 0

Correct Marks : 5 Wrong Marks : 1

Question Key Details :

Key	Value
Comprehension	MCQ

Arrange the following in chronological order beginning with the oldest first.

- A. Lower Palaeolithic
- B. Neolithic
- C. Middle Palaeolithic
- D. Mesolithic
- E. Upper Palaeolithic

Choose the correct answer from the options given below:

1. A, B, C, D, E
2. B, D, C, E, A
3. A, C, E, D, B
4. A, E, B, C, D

Options :

485584136889. 1
485584136890. 2
485584136891. 3
485584136892. 4

Question Number : 68 Question Id : 48558434223 Question Type : MCQ Option Shuffling : No Is Question Mandatory : No Calculator : None Response Time : N.A Think Time : N.A Minimum Instruction Time : 0

Correct Marks : 5 Wrong Marks : 1

Question Key Details :

Key	Value
Comprehension	MCQ

નીચેનામાંથી સૌથી જુના પહેલા શરૂ કરીને કાલક્રમિક ક્રમમાં ગોઠવો.

- A. નિમ્ન પ્રાચીન પ્રાષણ યુગ
- B. નવપાષણ યુગ
- C. પ્રાચીન અને નવ પાષણ યુગ વચ્ચે
- D. ઉચ્ચ પ્રાચીન પાષણ યુગ
- E. Upper Palaeolithic

નીચે આપેલા વિકલ્પોમાંથી સાચો જવાબ પસંદ કરો.

- 1. A, B, C, D, E
- 2. B, D, C, E, A
- 3. A, C, E, D, B
- 4. A, E, B, C, D

Options :

- 485584136889. 1
- 485584136890. 2
- 485584136891. 3
- 485584136892. 4

Question Number : 69 Question Id : 48558434224 Question Type : MCQ Option Shuffling : No Is Question Mandatory : No Calculator : None Response Time : N.A Think Time : N.A Minimum Instruction Time : 0

Correct Marks : 5 Wrong Marks : 1

Question Key Details :

Key	Value
Comprehension	MCQ

Which of the following statements are correct for S.C. Roy?

- A. He was a lawyer by profession
- B. He had a formal degree in anthropology
- C. He founded the journal, Eastern Anthropologist
- D. He was the first person to describe 'dhumkuria'
- E. He founded the journal, Man in India.

Choose the correct answer from the options given below:

- 1. A, C and E only
- 2. B, D and E only
- 3. A, D and E only
- 4. B, C and E only

Options :

- 485584136893. 1
- 485584136894. 2
- 485584136895. 3

485584136896. 4

Question Number : 69 Question Id : 48558434224 Question Type : MCQ Option Shuffling : No Is Question Mandatory : No Calculator : None Response Time : N.A Think Time : N.A Minimum Instruction Time : 0

Correct Marks : 5 Wrong Marks : 1

Question Key Details :

Key	Value
Comprehension	MCQ

નીચે પૈકી કયુ વિધાન S.C. રોપ માટે સાચું છે ?

- A. તેઓ વ્યાવસાયીક વકીલ હતા
- B. તેઓની પાસે માનવ શાસ્ત્રની ઔપચારીક પદવી હતી
- C. તેઓ એ પૂર્વીય જર્નલની સામાયીક સ્થાપના કરી
- D. ધુમકુરીયાને સૌ પ્રથમ વાર વર્ણન કરનાર
- E. તેઓએ મેન ઇન ઈન્ડિયા સામયિકની સ્થાપના કરી

નીચે આપેલા વિકલ્પોમાંથી સાચો જવાબ પસંદ કરો.

- 1. માત્ર A, C અને E
- 2. માત્ર B, D અને E
- 3. માત્ર A, D અને E
- 4. માત્ર B, C અને E

Options :

485584136893. 1

485584136894. 2

485584136895. 3

485584136896. 4

Question Number : 70 Question Id : 48558434225 Question Type : MCQ Option Shuffling : No Is Question Mandatory : No Calculator : None Response Time : N.A Think Time : N.A Minimum Instruction Time : 0

Correct Marks : 5 Wrong Marks : 1

Question Key Details :

Key	Value
Comprehension	MCQ

Arrange the following cultures in chronological order.

- A. Abbevillian
- B. Mousterian
- C. Chalcolithic
- D. Azilian
- E. Chatelperronian

Choose the correct answer from the options given below:

1. A, B, E, D, C
2. A, B, C, D, E
3. B, C, D, A, E
4. D, E, B, A, C

Options :

- 485584136897. 1
- 485584136898. 2
- 485584136899. 3
- 485584136900. 4

Question Number : 70 Question Id : 48558434225 Question Type : MCQ Option Shuffling : No Is Question Mandatory : No Calculator : None Response Time : N.A Think Time : N.A Minimum Instruction Time : 0

Correct Marks : 5 Wrong Marks : 1

Question Key Details :

Key	Value
Comprehension	MCQ

નીચે આપેલ સંસ્કૃતિઓને કાળક્રમના ક્રમમાં ગોઠવો.

- A. એબેવિલીયન
- B. મોસ્ટેરીયન
- C. ચાલકોલીથીક
- D. એઝીલીયન
- E. ચેટ પેરોનિયન

નીચે આપેલા વિકલ્પોમાંથી સાચો જવાબ પસંદ કરો.

1. A, B, E, D, C
2. A, B, C, D, E
3. B, C, D, A, E
4. D, E, B, A, C

Options :

- 485584136897. 1
- 485584136898. 2
- 485584136899. 3
- 485584136900. 4

Question Number : 71 Question Id : 48558434226 Question Type : MCQ Option Shuffling : No Is Question Mandatory : No Calculator : None Response Time : N.A Think Time : N.A Minimum Instruction Time : 0

Correct Marks : 5 Wrong Marks : 1

Question Key Details :

Key	Value
Comprehension	MCQ

_____ describes the diverse economic arrangements developed by human being in different times and places.

1. Physical Anthropology
2. Archaeological Anthropology
3. Economic Anthropology
4. Linguistic Anthropology

Options :

485584136901. 1
485584136902. 2
485584136903. 3
485584136904. 4

Question Number : 71 Question Id : 48558434226 Question Type : MCQ Option Shuffling : No Is Question Mandatory : No Calculator : None Response Time : N.A Think Time : N.A Minimum Instruction Time : 0

Correct Marks : 5 Wrong Marks : 1

Question Key Details :

Key	Value
Comprehension	MCQ

_____ માનવીએ જુદા જુદા સમય અને સ્થળોએ વિકસાવેલી વિવિધ આર્થિક વ્યવસ્થાનું વર્ણન કરો.

1. ભૌતિક માનવશાસ્ત્ર
2. પુરાતત્વ વિષયક માનવશાસ્ત્ર
3. આર્થિક માનવશાસ્ત્ર
4. ભાષાશાસ્ત્ર માનવશાસ્ત્ર

Options :

485584136901. 1
485584136902. 2
485584136903. 3
485584136904. 4

Question Number : 72 Question Id : 48558434227 Question Type : MCQ Option Shuffling : No Is Question Mandatory : No Calculator : None Response Time : N.A Think Time : N.A Minimum Instruction Time : 0

Correct Marks : 5 Wrong Marks : 1

Question Key Details :

Key	Value
-----	-------

Arrange the following agricultural activities in order of their occurrence in the paddy cultivation.

- A. Threshing
- B. Sowing
- C. Harvesting
- D. Winnowing
- E. Protecting Plants

Choose the correct answer from the options given below:

- 1. A, B, C, D, E
- 2. E, D, B, C, A
- 3. B, E, C, A, D
- 4. C, D, E, B, A

Options :

- 485584136905. 1
- 485584136906. 2
- 485584136907. 3
- 485584136908. 4

Question Number : 72 Question Id : 48558434227 Question Type : MCQ Option Shuffling : No Is Question Mandatory : No Calculator : None Response Time : N.A Think Time : N.A Minimum Instruction Time : 0

Correct Marks : 5 Wrong Marks : 1

Question Key Details :

Key	Value
Comprehension	MCQ

ડાંગરની ખેતીમાં થતી ઘટનાના ક્રમમાં નીચેની કૃષિ પ્રવૃત્તિઓ ગોઠવો.

- A. ઉપણવું
- B. વાવણી
- C. વણણી
- D. છડણી
- E. છોડ રક્ષણ

નીચે આપેલા વિકલ્પોમાંથી સાચો જવાબ પસંદ કરો.

- 1. A, B, C, D, E
- 2. E, D, B, C, A
- 3. B, E, C, A, D
- 4. C, D, E, B, A

Options :

- 485584136905. 1
- 485584136906. 2

485584136907. 3

485584136908. 4

Question Number : 73 Question Id : 48558434228 Question Type : MCQ Option Shuffling : No Is Question Mandatory : No Calculator : None Response Time : N.A Think Time : N.A Minimum Instruction Time : 0

Correct Marks : 5 Wrong Marks : 1

Question Key Details :

Key	Value
Comprehension	MCQ

Match List I with List II

LIST I		LIST II	
A.	Cultivation of fruits and vegetables	I.	Community hunting
B.	Cultivation using plough and yoke	II.	Terrace cultivation
C.	Hunting by a group of persons	III.	Plough cultivation
D.	Cultivation on hill slopes	IV.	Horticulture

Choose the correct answer from the options given below:

1. A-I, B-II, C-III, D-IV

2. A-I, B-IV, C-II, D-III

3. A-IV, B-III, C-II, D-I

4. A-IV, B-III, C-I, D-II

Options :

485584136909. 1

485584136910. 2

485584136911. 3

485584136912. 4

Question Number : 73 Question Id : 48558434228 Question Type : MCQ Option Shuffling : No Is Question Mandatory : No Calculator : None Response Time : N.A Think Time : N.A Minimum Instruction Time : 0

Correct Marks : 5 Wrong Marks : 1

Question Key Details :

Key	Value
Comprehension	MCQ

સૂચિ I ને સૂચિ II સાથે જોડો.

સૂચિ I		સૂચિ II	
A.	ફળો અને શાકભાજીની ખેતી	I.	સમૂહ શિકાર
B.	હળ અને ઝસરીનો ઉપયોગ કરીને ખેતી	II.	અઘાશી ખેતી
C.	વ્યક્તિઓના જૂથ દ્વારા શિકાર	III.	હળ ખેતી
D.	ડિકરીઓના ઢોળાવ પર ખેતી	IV.	બાગાયત

નીચે આપેલા વિકલ્પોમાંથી સાચો જવાબ પસંદ કરો.

1. A-I, B-II, C-III, D-IV
2. A-I, B-IV, C-II, D-III
3. A-IV, B-III, C-II, D-I
4. A-IV, B-III, C-I, D-II

Options :

485584136909. 1
485584136910. 2
485584136911. 3
485584136912. 4

Question Number : 74 Question Id : 48558434229 Question Type : MCQ Option Shuffling : No Is Question Mandatory : No Calculator : None Response Time : N.A Think Time : N.A Minimum Instruction Time : 0

Correct Marks : 5 Wrong Marks : 1

Question Key Details :

Key	Value
Comprehension	MCQ

Food Gathering economy is not based on:

1. Gathering of fruits and roots
2. Horticulture
3. Hunting
4. Fishing

Options :

485584136913. 1
485584136914. 2
485584136915. 3
485584136916. 4

Question Number : 74 Question Id : 48558434229 Question Type : MCQ Option Shuffling : No Is Question Mandatory : No Calculator : None Response Time : N.A Think Time : N.A Minimum Instruction Time : 0

Correct Marks : 5 Wrong Marks : 1

Question Key Details :

Key	Value
Comprehension	MCQ

આહાર સંગ્રહણ ઇકોનોમી શેના પર આધારિત નથી ?

1. ફળો અને મૂળિયાં ભેગાં કરવાં
2. બાગાયાત
3. શિકાર
4. માછીમારી

Options :

485584136913. 1
485584136914. 2
485584136915. 3
485584136916. 4

Question Number : 75 Question Id : 48558434230 Question Type : MCQ Option Shuffling : No Is Question Mandatory : No Calculator : None Response Time : N.A Think Time : N.A Minimum Instruction Time : 0

Correct Marks : 5 Wrong Marks : 1

Question Key Details :

Key	Value
Comprehension	MCQ

In Arunachal Pradesh, Shifting Cultivation is called as.

1. Shyrti
2. Tekeonglu
3. Bogma
4. Adimik

Options :

485584136917. 1
485584136918. 2
485584136919. 3
485584136920. 4

Question Number : 75 Question Id : 48558434230 Question Type : MCQ Option Shuffling : No Is Question Mandatory : No Calculator : None Response Time : N.A Think Time : N.A Minimum Instruction Time : 0

Correct Marks : 5 Wrong Marks : 1

Question Key Details :

Key	Value
Comprehension	MCQ

અરુણાચલ પ્રદેશમાં સ્થાનાંતરિત ખેતી કયા નામથી ઓળખાય છે ?

1. શીરતી
2. ટેકેઓન્ગલુ
3. બોગમા
4. આદિમીક

Options :

485584136917. 1
485584136918. 2
485584136919. 3
485584136920. 4

Question Number : 76 Question Id : 48558434231 Question Type : MCQ Option Shuffling : No Is Question Mandatory : No Calculator : None Response Time : N.A Think Time : N.A Minimum Instruction Time : 0

Correct Marks : 5 Wrong Marks : 1

Question Key Details :

Key	Value
Comprehension	MCQ

Mean annual temperature (in°C) is negative in which of the following biomes.

1. Deserts
2. Tropical forests
3. Arctic and Alpine tundra
4. Grasslands

Options :

485584136921. 1
485584136922. 2
485584136923. 3
485584136924. 4

Question Number : 76 Question Id : 48558434231 Question Type : MCQ Option Shuffling : No Is Question Mandatory : No Calculator : None Response Time : N.A Think Time : N.A Minimum Instruction Time : 0

Correct Marks : 5 Wrong Marks : 1

Question Key Details :

Key	Value
Comprehension	MCQ

બ્રિટિશરો એ ભારત અને શ્રીલંકામાં વિશાળ માત્રામાં _____ ની બાગાયત / વૃક્ષારોપણ ક્યું.

1. રબર બાગાયત
2. શેરડી
3. કેળાના બગીચા
4. યાના બગીચા

Options :

485584136921. 1
485584136922. 2
485584136923. 3
485584136924. 4

Question Number : 77 Question Id : 48558434232 Question Type : MCQ Option Shuffling : No Is Question Mandatory : No Calculator : None Response Time : N.A Think Time : N.A Minimum Instruction Time : 0

Correct Marks : 5 Wrong Marks : 1

Question Key Details :

Key	Value
Comprehension	MCQ

The micro-organisms like bacteria and fungi are called:

1. Autotrophs
2. Omnivore
3. Herbivores
4. Decomposers

Options :

485584136925. 1
485584136926. 2
485584136927. 3
485584136928. 4

Question Number : 77 Question Id : 48558434232 Question Type : MCQ Option Shuffling : No Is Question Mandatory : No Calculator : None Response Time : N.A Think Time : N.A Minimum Instruction Time : 0

Correct Marks : 5 Wrong Marks : 1

Question Key Details :

Key	Value
Comprehension	MCQ

એક સમયે ઇન્ડોનેશિયામાં થતા શેરડીના વાવેતર પર _____ એકાધિકાર ધરાવતું હતું.

1. ફ્રેંચ
2. મલેશિયા
3. ક્રિલિપાઈન્સ
4. ડચ

Options :

485584136925. 1
485584136926. 2
485584136927. 3
485584136928. 4

Question Number : 78 Question Id : 48558434233 Question Type : MCQ Option Shuffling : No Is Question Mandatory : No Calculator : None Response Time : N.A Think Time : N.A Minimum Instruction Time : 0

Correct Marks : 5 Wrong Marks : 1

Question Key Details :

Key	Value
Comprehension	MCQ

Match List I with List II

LIST I		LIST II	
A.	Cow	I.	Omnivore
B.	Humans	II.	Carnivore
C.	Lion	III.	Detritivore
D.	Earthworm	IV.	Herbivore

Choose the correct answer from the options given below:

1. A-II, B-I, C-III, D-IV
2. A-IV, B-I, C-II, D-III
3. A-I, B-III, C-II, D-IV
4. A-I, B-II, C-III, D-IV

Options :

485584136929. 1
485584136930. 2
485584136931. 3
485584136932. 4

Question Number : 78 Question Id : 48558434233 Question Type : MCQ Option Shuffling : No Is Question Mandatory : No Calculator : None Response Time : N.A Think Time : N.A Minimum Instruction Time : 0

Correct Marks : 5 Wrong Marks : 1

Question Key Details :

Key	Value
Comprehension	MCQ

ફેચ લોકોએ કોકો અને કોફીના વાવેતરને ક્યાં સ્થાપિત કર્યું ?

1. પૂર્વ આફ્રિકા
2. પશ્ચિમ આફ્રિકા
3. પૂર્વ અમેરિકા
4. દક્ષિણ અમેરિકા

Options :

485584136929. 1
485584136930. 2
485584136931. 3
485584136932. 4

Question Number : 79 Question Id : 48558434234 Question Type : MCQ Option Shuffling : No Is Question Mandatory : No Calculator : None Response Time : N.A Think Time : N.A Minimum Instruction Time : 0

Correct Marks : 5 Wrong Marks : 1

Question Key Details :

Key	Value
Comprehension	MCQ

Itai - Itai disease among the people of Japan was primarily caused due to consumption of.

- A. Cadmium contaminated rice
- B. Cadmium contaminated water
- C. Cadmium Contaminated Fish
- D. Contaminated Milk

1. A and B only
2. B and C only
3. C and D only
4. A and D only

Options :

485584136933. 1
485584136934. 2
485584136935. 3
485584136936. 4

Question Number : 79 Question Id : 48558434234 Question Type : MCQ Option Shuffling : No Is Question Mandatory : No Calculator : None Response Time : N.A Think Time : N.A Minimum Instruction Time : 0

Correct Marks : 5 Wrong Marks : 1

Question Key Details :

Key	Value
Comprehension	MCQ

બ્રિટિશરોએ શેરડી અને કેળાના વિશાળ વાવેતરની સ્થાપના કયા કરી ?

1. ભારત અને શ્રીલંકા
2. ઇન્ડોનેશિયા
3. વેસ્ટ ઇન્ડિઝ
4. સ્પેન

Options :

485584136933. 1
485584136934. 2
485584136935. 3
485584136936. 4

Question Number : 80 Question Id : 48558434235 Question Type : MCQ Option Shuffling : No Is Question Mandatory : No Calculator : None Response Time : N.A Think Time : N.A Minimum Instruction Time : 0

Correct Marks : 5 Wrong Marks : 1

Question Key Details :

Key	Value
Comprehension	MCQ

_____ is characterised by less prominent cheek bones and absence of fascial prognathism.

1. Causasoid
2. Negroid
3. Mongoloid
4. Australoid

Options :

485584136937. 1
485584136938. 2
485584136939. 3
485584136940. 4

Question Number : 80 Question Id : 48558434235 Question Type : MCQ Option Shuffling : No Is Question Mandatory : No Calculator : None Response Time : N.A Think Time : N.A Minimum Instruction Time : 0

Correct Marks : 5 Wrong Marks : 1

Question Key Details :

Key	Value
Comprehension	MCQ

સ્પેનિશ અને અમેરિકનોએ ફિલિપાઈન્સમાં _____ ના વાવેતરમાં ભારે રોકાણ કર્યું હતું.

- A. કેળા
- B. રબર
- C. નાળિયેર
- D. શેરડી

નીચે આપેલા વિકલ્પોમાંથી સાચો જવાબ પસંદ કરો.

- 1. માત્ર A અને B
- 2. માત્ર B અને D
- 3. માત્ર C અને D
- 4. માત્ર D અને E

Options :

- 485584136937. 1
- 485584136938. 2
- 485584136939. 3
- 485584136940. 4

Question Number : 81 Question Id : 48558434236 Question Type : MCQ Option Shuffling : No Is Question Mandatory : No Calculator : None Response Time : N.A Think Time : N.A Minimum Instruction Time : 0

Correct Marks : 5 Wrong Marks : 1

Question Key Details :

Key	Value
Comprehension	MCQ

A family which one sets up after one's marriage is called as.

- 1. Family of orientation
- 2. Family of origin
- 3. Family of procreation
- 4. Family of happiness

Options :

- 485584136941. 1
- 485584136942. 2
- 485584136943. 3
- 485584136944. 4

Question Number : 81 Question Id : 48558434236 Question Type : MCQ Option Shuffling : No Is Question Mandatory : No Calculator : None Response Time : N.A Think Time : N.A Minimum Instruction Time : 0

Correct Marks : 5 Wrong Marks : 1

Question Key Details :

Key	Value
Comprehension	MCQ

વ્યક્તિ તેના લગ્ન પછી જે કુટુંબ / પરિવારને સ્થાપિત કરે છે તેને શું કહે છે ?

1. અનુસ્થાપન કુટુંબ
2. મૂળ કુટુંબ
3. પ્રજનન કુટુંબ
4. સુખી કુટુંબ

Options :

485584136941. 1
485584136942. 2
485584136943. 3
485584136944. 4

Question Number : 82 Question Id : 48558434237 Question Type : MCQ Option Shuffling : No Is Question Mandatory : No Calculator : None Response Time : N.A Think Time : N.A Minimum Instruction Time : 0

Correct Marks : 5 Wrong Marks : 1

Question Key Details :

Key	Value
Comprehension	MCQ

_____ is one form of unilineal descent, where males trace ancestry through males and females through females.

1. Double unilineal descent
2. Ambilineal descent
3. Parallel descent
4. Double descent

Options :

485584136945. 1
485584136946. 2
485584136947. 3
485584136948. 4

Question Number : 82 Question Id : 48558434237 Question Type : MCQ Option Shuffling : No Is Question Mandatory : No Calculator : None Response Time : N.A Think Time : N.A Minimum Instruction Time : 0

Correct Marks : 5 Wrong Marks : 1

Question Key Details :

Key	Value
Comprehension	MCQ

એ બિનરેખીય વંશનું એવું સ્વરૂપ છે જ્યાં પુરુષો, પુરુષો અને સ્ત્રીઓ દ્વારા વંશજો શોધી કાઢે છે.

1. બેવડું બિનરેખીય વંશ
2. દ્વિરેખીય વંશ
3. સમાંતર વંશ
4. બેવડો વંશ

Options :

485584136945. 1
485584136946. 2
485584136947. 3
485584136948. 4

Question Number : 83 Question Id : 48558434238 Question Type : MCQ Option Shuffling : No Is Question Mandatory : No Calculator : None Response Time : N.A Think Time : N.A Minimum Instruction Time : 0

Correct Marks : 5 Wrong Marks : 1

Question Key Details :

Key	Value
Comprehension	MCQ

The type of family found among Gonds and Baigas is called as:

1. Polyandrous family
2. Fraternal family
3. Non-Fraternal family
4. Polygynous family

Options :

485584136949. 1
485584136950. 2
485584136951. 3
485584136952. 4

Question Number : 83 Question Id : 48558434238 Question Type : MCQ Option Shuffling : No Is Question Mandatory : No Calculator : None Response Time : N.A Think Time : N.A Minimum Instruction Time : 0

Correct Marks : 5 Wrong Marks : 1

Question Key Details :

Key	Value
Comprehension	MCQ

ગોન્જ અને બૈગા સમુદાયમાં કયા પ્રકારના કુટુંબો મળી આવે છે ?

1. બહુપતિત્વ કુટુંબ
2. ભ્રાતૃ કુટુંબ
3. બિન-ભ્રાતૃ કુટુંબ
4. બહુપત્નીવાી કુટુંબ

Options :

485584136949. 1
485584136950. 2
485584136951. 3
485584136952. 4

Question Number : 84 Question Id : 48558434239 Question Type : MCQ Option Shuffling : No Is Question Mandatory : No Calculator : None Response Time : N.A Think Time : N.A Minimum Instruction Time : 0

Correct Marks : 5 Wrong Marks : 1

Question Key Details :

Key	Value
Comprehension	MCQ

Which of the following are not the features of family?

- A. It is an economic unit
- B. It is a secondary social group
- C. It is unlimited in size
- D. It is a socializing unit
- E. It is a social unit

Choose the correct answer from the options given below:

1. B and C only
2. C and D only
3. B and D only
4. D and E only

Options :

485584136953. 1
485584136954. 2
485584136955. 3
485584136956. 4

Question Number : 84 Question Id : 48558434239 Question Type : MCQ Option Shuffling : No Is Question Mandatory : No Calculator : None Response Time : N.A Think Time : N.A Minimum Instruction Time : 0

Correct Marks : 5 Wrong Marks : 1

Question Key Details :

Key	Value
Comprehension	MCQ

નીચેના માંથી કયું કુટુંબની વિશેષતા નથી ?

- A. તે એક આર્થિક એકમ છે.
- B. તે ગૌણ સામાજિક જૂથ છે.
- C. તેનું કદ અમર્યાદિત છે.
- D. તે એક સમાજકરણ કરતું એકમ છે.
- E. તે એક સામાજિક એકમ છે.

નીચે આપેલા વિકલ્પોમાંથી સાચો જવાબ પસંદ કરો.

- 1. માત્ર B અને C
- 2. માત્ર C અને D
- 3. માત્ર B અને D
- 4. માત્ર D અને E

Options :

- 485584136953. 1
- 485584136954. 2
- 485584136955. 3
- 485584136956. 4

Question Number : 85 Question Id : 48558434240 Question Type : MCQ Option Shuffling : No Is Question Mandatory : No Calculator : None Response Time : N.A Think Time : N.A Minimum Instruction Time : 0

Correct Marks : 5 Wrong Marks : 1

Question Key Details :

Key	Value
Comprehension	MCQ

Match List I with List II

LIST I		LIST II	
A.	Matrilineal	I.	Agnatic
B.	Matrilocal	II.	Uxorilocal
C.	Patrilineal	III.	Virilocal
D.	Patrilocal	IV.	Uterine

Choose the correct answer from the options given below:

- 1. A-IV, B-III, C-II, D-I
- 2. A-I, B-II, C-III, D-IV
- 3. A-IV, B-II, C-I, D-III
- 4. A-I, B-IV, C-III, D-II

Options :

- 485584136957. 1
- 485584136958. 2
- 485584136959. 3

485584136960. 4

Question Number : 85 Question Id : 48558434240 Question Type : MCQ Option Shuffling : No Is Question Mandatory : No Calculator : None Response Time : N.A Think Time : N.A Minimum Instruction Time : 0

Correct Marks : 5 Wrong Marks : 1

Question Key Details :

Key	Value
Comprehension	MCQ

સૂચિ I ને સૂચિ II સાથે જોડો.

સૂચિ I		સૂચિ II	
A.	માતૃરૂપીય	I.	એગ્રીકલ્ચર
B.	માતૃસ્થાનીય	II.	યુરોક્સીલોકલ
C.	પિતૃરૂપીય	III.	વૌરોલોકલ
D.	પિતૃસ્થાનીય	IV.	યુટેરાઈન

નીચે આપેલા વિકલ્પોમાંથી સાચો જવાબ પસંદ કરો.

1. A-IV, B-III, C-II, D-I
2. A-I, B-II, C-III, D-IV
3. A-IV, B-II, C-I, D-III
4. A-I, B-IV, C-III, D-II

Options :

485584136957. 1
485584136958. 2
485584136959. 3
485584136960. 4

Question Number : 86 Question Id : 48558434241 Question Type : MCQ Option Shuffling : No Is Question Mandatory : No Calculator : None Response Time : N.A Think Time : N.A Minimum Instruction Time : 0

Correct Marks : 5 Wrong Marks : 1

Question Key Details :

Key	Value
Comprehension	MCQ

Who is revered as the Father of Ecology in India?

1. Kailash Satyarthi
2. Prof. W.H Pearsall
3. K.K. Misra
4. Ramdeo Misra

Options :

485584136961. 1
485584136962. 2
485584136963. 3

485584136964. 4

Question Number : 86 Question Id : 48558434241 Question Type : MCQ Option Shuffling : No Is Question Mandatory : No Calculator : None Response Time : N.A Think Time : N.A Minimum Instruction Time : 0

Correct Marks : 5 Wrong Marks : 1

Question Key Details :

Key	Value
Comprehension	MCQ

શેનો ઉપયોગ કરીને મિસિંગ ઘરોની દિવાલો બનાવવામાં આવે છે ?

1. માટીની ઇટો
2. વાંસ
3. ખાયવુડ
4. સિમેન્ટની ઇટો

Options :

485584136961. 1
485584136962. 2
485584136963. 3
485584136964. 4

Question Number : 87 Question Id : 48558434242 Question Type : MCQ Option Shuffling : No Is Question Mandatory : No Calculator : None Response Time : N.A Think Time : N.A Minimum Instruction Time : 0

Correct Marks : 5 Wrong Marks : 1

Question Key Details :

Key	Value
Comprehension	MCQ

The percentage of oxygen in the atmosphere is _____.

1. 78.09%
2. 20.94%
3. 0.03%
4. 0.93%

Options :

485584136965. 1
485584136966. 2
485584136967. 3
485584136968. 4

Question Number : 87 Question Id : 48558434242 Question Type : MCQ Option Shuffling : No Is Question Mandatory : No Calculator : None Response Time : N.A Think Time : N.A Minimum Instruction Time : 0

Correct Marks : 5 Wrong Marks : 1

Question Key Details :

Key	Value
-----	-------

પરંપરાગત મિસિંગ ઘરો બનાવવા કેવી સામગ્રીનો ઉપયોગ કરવામાં આવે છે ?

1. વાંસ અને ઝાડા પાન
2. ઘાસ અને ઝાડનાં પાન
3. ઘાસ અને વાંસ
4. ઝાડનાં પાસ અને લીલું ઘાસ

Options :

485584136965. 1
 485584136966. 2
 485584136967. 3
 485584136968. 4

Question Number : 88 Question Id : 48558434243 Question Type : MCQ Option Shuffling : No Is Question Mandatory : No Calculator : None Response Time : N.A Think Time : N.A Minimum Instruction Time : 0

Correct Marks : 5 Wrong Marks : 1

Question Key Details :

Key	Value
Comprehension	MCQ

Which one of the following is an example of an aquatic ecosystem?

1. Forest ecosystem
2. Desert ecosystem
3. Pond ecosystem
4. Grassland ecosystem

Options :

485584136969. 1
 485584136970. 2
 485584136971. 3
 485584136972. 4

Question Number : 88 Question Id : 48558434243 Question Type : MCQ Option Shuffling : No Is Question Mandatory : No Calculator : None Response Time : N.A Think Time : N.A Minimum Instruction Time : 0

Correct Marks : 5 Wrong Marks : 1

Question Key Details :

Key	Value
Comprehension	MCQ

_____ ને મેરામ કહેવામાં આવે છે અને તે એક પવિત્ર જગ્યા છે.

1. મોટો હોલ
2. અગ્નિ સ્થળ
3. ગામ બહારનું મંદિર
4. મસ્જિદ

Options :

485584136969. 1
485584136970. 2
485584136971. 3
485584136972. 4

Question Number : 89 Question Id : 48558434244 Question Type : MCQ Option Shuffling : No Is Question Mandatory : No Calculator : None Response Time : N.A Think Time : N.A Minimum Instruction Time : 0

Correct Marks : 5 Wrong Marks : 1

Question Key Details :

Key	Value
Comprehension	MCQ

Arrange the following in an order.

- A. Secondary consumer
- B. Detritus
- C. Primary consumer
- D. Primary producer
- E. Tertiary consumer

Choose the correct answer from the options given below:

1. D, A, B, C, E
2. B, C, A, D, E
3. A, E, C, D, B
4. D, C, A, E, B

Options :

485584136973. 1
485584136974. 2
485584136975. 3
485584136976. 4

Question Number : 89 Question Id : 48558434244 Question Type : MCQ Option Shuffling : No Is Question Mandatory : No Calculator : None Response Time : N.A Think Time : N.A Minimum Instruction Time : 0

Correct Marks : 5 Wrong Marks : 1

Question Key Details :

Key	Value
Comprehension	MCQ

વિશિષ્ટ મિસિંગ ઘરનો મોટો વિશાળ હોલ શેનો સમાવેશ કરી શકે છે ?

1. કુટુંબના બધા સગાં
2. ગામના બધા સભ્યો
3. બધા સંતો અને કુટુંબની આર્ષસજા
4. કુટુંબના બધા સભ્યો

Options :

485584136973. 1
485584136974. 2
485584136975. 3
485584136976. 4

Question Number : 90 Question Id : 48558434245 Question Type : MCQ Option Shuffling : No Is Question Mandatory : No Calculator : None Response Time : N.A Think Time : N.A Minimum Instruction Time : 0

Correct Marks : 5 Wrong Marks : 1

Question Key Details :

Key	Value
Comprehension	MCQ

The smallest microscopic organism that are found on the surface of water bodies like pond, lake etc are known as:

1. Nektons
2. Phytoplankton
3. Floating plants
4. Terrestrial plants

Options :

485584136977. 1
485584136978. 2
485584136979. 3
485584136980. 4

Question Number : 90 Question Id : 48558434245 Question Type : MCQ Option Shuffling : No Is Question Mandatory : No Calculator : None Response Time : N.A Think Time : N.A Minimum Instruction Time : 0

Correct Marks : 5 Wrong Marks : 1

Question Key Details :

Key	Value
Comprehension	MCQ

મિસિંગ ઘરના પ્રવેશદ્વારને વરંડા તરીકે ઉપયોગ કરી કોની આગતા - સ્વાગતા કરવા ઉપયોગમાં લેવામાં આવે છે ?

1. કુટુંબના સભ્યો
2. મહેમાનો
3. મિશ્રો અને ગ્રામવાસી
4. કુટુંબના કર્તા

Options :

485584136977. 1
485584136978. 2
485584136979. 3
485584136980. 4

Sub-Section Number :

2

Sub-Section Id :

4855842531

Question Shuffling Allowed :

No

Is Section Default? :

null

Question Number : 91 Question Id : 48558434246 Question Type : MCQ Option Shuffling : No Is Question Mandatory : No Calculator : None Response Time : N.A Think Time : N.A Minimum Instruction Time : 0

Correct Marks : 5 Wrong Marks : 1

Question Key Details :

Key	Value
Comprehension	Comp1

The Mismi built their houses on raised platform. A traditional Mismi house is built with materials like bamboo and straw. The walls are constructed with bamboo and the roof is thatched. A typical Mismi house consists of a big hall like room which accommodates all the family members. The area near the entrance acts as a portico and is used to entertain guests. Below the platform the rooms are kept. It also sometimes houses the pigs which they rear. Adjacent to their house they construct cattlesheds and coops for reaching fowls. The fire place is called as meram and is considered as a sacred place.

The walls of the Mising's house is constructed using

1. Mud bricks
2. Bamboo
3. Plywood
4. Bricks with Cement

Options :

485584136981. 1
485584136982. 2
485584136983. 3
485584136984. 4

Question Number : 91 Question Id : 48558434246 Question Type : MCQ Option Shuffling : No Is Question Mandatory : No Calculator : None Response Time : N.A Think Time : N.A Minimum Instruction Time : 0

Correct Marks : 5 Wrong Marks : 1

Question Key Details :

Key	Value
Comprehension	Comp1

ફ્રેચ લોકો દ્વારા પ્રસ્થાપિત કરવામાં આવેલું હતું. બ્રિટિશર લોકોએ ભારત અને શ્રીલંકામાં ચાના બગીચા, મલેશિયામાં રબરના છોડવા, વેસ્ટ ઇન્ડિઝમાં શેરડી અને કેળાંના ઉત્પાદનને સ્થાપિત કર્યું સ્પેનિશ અને અમેરિક લોકોએ ફિલિપાઈન્સ માં નારિયેળ અને શેરડીના વાનેતર માં ઊંચું રોકાણ કર્યું. 5મી લોકો ઇન્ડોનેશિયામાં થતા શેરડીના વાવેતર માં એકાધિકાર ધરાવતાં હતાં કેટલાક યુરોપિયન દ્વારા સંચલિત કરવામાં આવે છે. આજે, મોટાભાગના બાગાયત અને વૃક્ષારોપનો અધિકાર સરકાર અથવા જે-તે દેસના નાગરિકો પાસે છે.

કોને ભારતમાં ભારતમાં પરિસ્થિતિ વિજ્ઞાન (ઇકોલોજી)ના પિતા તરીકે આદરવામાં આવે છે ?

1. કૈલાશ સત્યવર્તી
2. પ્રો. ડબ્લ્યુ. એચ. પીઅરસલ
3. કે.કે.મિશ્રા
4. રામાજીવ મિશ્રા

Options :

485584136981. 1
485584136982. 2
485584136983. 3
485584136984. 4

Question Number : 92 Question Id : 48558434247 Question Type : MCQ Option Shuffling : No Is Question Mandatory : No Calculator : None Response Time : N.A Think Time : N.A Minimum Instruction Time : 0

Correct Marks : 5 Wrong Marks : 1

Question Key Details :

Key	Value
Comprehension	Comp1

The Mismi built their houses on raised platform. A traditional Mismi house is built with materials like bamboo and straw. The walls are constructed with bamboo and the roof is thatched. A typical Mismi house consists of a big hall like room which accommodates all the family members. The area near the entrance acts as a portico and is used to entertain guests. Below the platform the rooms are kept. It also sometimes houses the pigs which they rear. Adjacent to their house they construct cattlesheds and coops for reaching fowls. The fire place is called as meram and is considered as a sacred place.

A traditional Mising house is built with materials like.

1. Bamboo and tree leaves
2. Straw and tree leaves
3. Straw and Bamboo
4. Tree leaves and grass

Options :

485584136985. 1
485584136986. 2
485584136987. 3
485584136988. 4

Question Number : 92 Question Id : 48558434247 Question Type : MCQ Option Shuffling : No Is Question Mandatory : No Calculator : None Response Time : N.A Think Time : N.A Minimum Instruction Time : 0

Correct Marks : 5 Wrong Marks : 1

Question Key Details :

Key	Value
Comprehension	Comp1

ફેચ લોકો દ્વારા પ્રસ્થાપિત કરવામાં આવેલું હતું. બ્રિટિશર લોકોએ ભારત અને શ્રીલંકામાં ચાના બગીચા, મલેશિયામાં રબરના છોડવા, વેસ્ટ ઈન્ડિઝમાં શેરડી અને કેળાંના ઉત્પાદનને સ્થાપિત કર્યું સ્પેનિશ અને અમેરિક લોકોએ ફિલિપાઈન્સ માં નારિયેળ અને શેરડીના વાનેતર માં ઊંચું રોકાણ કર્યું. ડચ લોકો ઇન્ડોનેશિયામાં થતા શેરડીના વાવેતર માં એકાધિકાર ધરાવતાં હતાં કેટલાક યુરોપિયન દ્વારા સંચલિત કરવામાં આવે છે. આજે, મોટાભાગના બાગાયત અને વૃક્ષારોપનો અધિકાર સરકાર અથવા જે-તે દેસના નાગરિકો પાસે છે.

વાતાવરણમાં ઓક્સિજનની ટકાવારી કેટલી છે ?

1. 78.09%
2. 20.94%
3. 0.03%
4. 0.93%

Options :

485584136985. 1
485584136986. 2
485584136987. 3
485584136988. 4

Question Number : 93 Question Id : 48558434248 Question Type : MCQ Option Shuffling : No Is Question Mandatory : No Calculator : None Response Time : N.A Think Time : N.A Minimum Instruction Time : 0

Correct Marks : 5 Wrong Marks : 1

Question Key Details :

Key	Value
Comprehension	Comp1

The Mismi built their houses on raised platform. A traditional Mismi house is built with materials like bamboo and straw. The walls are constructed with bamboo and the roof is thatched. A typical Mismi house consists of a big hall like room which accommodates all the family members. The area near the entrance acts as a portico and is used to entertain guests. Below the platform the rooms are kept. It also sometimes houses the pigs which they rear. Adjacent to their house they construct cattlesheds and coops for reaching fowls. The fire place is called as meram and is considered as a sacred place.

_____ is a place called as meram and is considered as a sacred place in Misings.

1. Big hall
2. Fire place
3. Temple outside village
4. Mosque

Options :

485584136989. 1
485584136990. 2
485584136991. 3
485584136992. 4

Question Number : 93 Question Id : 48558434248 Question Type : MCQ Option Shuffling : No Is Question Mandatory : No Calculator : None Response Time : N.A Think Time : N.A Minimum Instruction Time : 0

Correct Marks : 5 Wrong Marks : 1

Question Key Details :

Key	Value
Comprehension	Comp1

ફેચ લોકો દ્વારા પ્રસ્થાપિત કરવામાં આવેલું હતું. બ્રિટિશર લોકોએ ભારત અને શ્રીલંકામાં યાના બગીચા, મલેશિયામાં રબરના છોડવા, વેસ્ટ ઇન્ડિઝમાં શેરડી અને કેળાંના ઉત્પાદનને સ્થાપિત કર્યું સ્પેનિશ અને અમેરિક લોકોએ ફિલિપાઈન્સ માં નારિયેળ અને શેરડીના વાનેતર માં ઊંચું રોકાણ કર્યું. ડચ લોકો ઇન્ડોનેશિયામાં થતા શેરડીના વાવેતર માં એકાધિકાર ધરાવતાં હતાં કેટલાક યુરોપિયન દ્વારા સંચલિત કરવામાં આવે છે. આજે, મોટાભાગના બાગાયત અને વૃક્ષારોપનો અધિકાર સરકાર અથવા જે-તે દેસના નાગરિકો પાસે છે.

નીચેના માંતી કયું જળચર ઇકોસિસ્ટમનું ઉદાહરણ છે ?

1. જંગલ ઇકોસિસ્ટમ
2. રણ ઇકોસિસ્ટમ
3. તળાવ ઇકોસિસ્ટમ
4. ઘસની જમીનની ઇકોસિસ્ટમ

Options :

485584136989. 1
485584136990. 2

485584136991. 3

485584136992. 4

Question Number : 94 Question Id : 48558434249 Question Type : MCQ Option Shuffling : No Is Question Mandatory : No Calculator : None Response Time : N.A Think Time : N.A Minimum Instruction Time : 0

Correct Marks : 5 Wrong Marks : 1

Question Key Details :

Key	Value
Comprehension	Comp1

The Mismi built their houses on raised platform. A traditional Mismi house is built with materials like bamboo and straw. The walls are constructed with bamboo and the roof is thatched. A typical Mismi house consists of a big hall like room which accommodates all the family members. The area near the entrance acts as a portico and is used to entertain guests. Below the platform the rooms are kept. It also sometimes houses the pigs which they rear. Adjacent to their house they construct cattlesheds and coops for rearing fowls. The fire place is called as meram and is considered as a sacred place.

A big hall in a typical Misings house accomodates.

1. All the relatives of family
2. All the village members
3. All the Saints and Seers of family
4. All the family members

Options :

485584136993. 1

485584136994. 2

485584136995. 3

485584136996. 4

Question Number : 94 Question Id : 48558434249 Question Type : MCQ Option Shuffling : No Is Question Mandatory : No Calculator : None Response Time : N.A Think Time : N.A Minimum Instruction Time : 0

Correct Marks : 5 Wrong Marks : 1

Question Key Details :

Key	Value
Comprehension	Comp1

ફ્રેચ લોકો દ્વારા પ્રસ્થાપિત કરવામાં આવેલું હતું. બ્રિટિશર લોકોએ ભારત અને શ્રીલંકામાં યાના બગીચા, મલેશિયામાં રબરના છોડવા, વેસ્ટ ઇન્ડિઝમાં શેરડી અને કેળાંના ઉત્પાદનને સ્થાપિત કર્યું સ્પેનિશ અને અમેરિક લોકોએ ફિલિપાઈન્સ માં નારિયેળ અને શેરડીના વાનેતર માં ઊંચું રોકાણ કર્યું. ડચ લોકો ઇન્ડોનેશિયામાં થતા શેરડીના વાવેતર માં એકાધિકાર ધરાવતાં હતાં કેટલાક યુરોપિયન દ્વારા સંચલિત કરવામાં આવે છે. આજે, મોટાભાગના બાગાયત અને વૃક્ષારોપનો અધિકાર સરકાર અથવા જે-તે દેસના નાગરિકો પાસે છે.

નીચેનાને ક્રમમાં ગોઠવો.

- A. ગૌણ ગ્રાહક
- B. ડિટ્રિટસ (ખડકની ખેર)
- C. પ્રાથમિક ગ્રાહક
- D. પ્રથમિક ઉત્પાદન
- E. તૃતીય ગ્રાહક

નીચે આપેલા વિકલ્પોમાંથી સાચો જવાબ પસંદ કરો.

- 1. D, A, B, C, E
- 2. B, C, A, D, E
- 3. A, E, C, D, B
- 4. D, C, A, E, B

Options :

- 485584136993. 1
- 485584136994. 2
- 485584136995. 3
- 485584136996. 4

Question Number : 95 Question Id : 48558434250 Question Type : MCQ Option Shuffling : No Is Question Mandatory : No Calculator : None Response Time : N.A Think Time : N.A Minimum Instruction Time : 0

Correct Marks : 5 Wrong Marks : 1

Question Key Details :

Key	Value
Comprehension	Comp1

The Mismi built their houses on raised platform. A traditional Mismi house is built with materials like bamboo and straw. The walls are constructed with bamboo and the roof is thatched. A typical Mismi house consists of a big hall like room which accommodates all the family members. The area near the entrance acts as a portico and is used to entertain guests. Below the platform the rooms are kept. It also sometimes houses the pigs which they rear. Adjacent to their house they construct cattlesheds and coops for reaching fowls. The fire place is called as meram and is considered as a sacred place.

The area near the entrance of 'Mising house act as portico and is used to entertain.

- 1. Family members
- 2. Guests
- 3. Friends and villagers
- 4. Karta of family

Options :

- 485584136997. 1
- 485584136998. 2
- 485584136999. 3

Question Number : 95 Question Id : 48558434250 Question Type : MCQ Option Shuffling : No Is Question Mandatory : No Calculator : None Response Time : N.A Think Time : N.A Minimum Instruction Time : 0

Correct Marks : 5 Wrong Marks : 1

Question Key Details :

Key	Value
Comprehension	Comp1

ફ્રેચ લોકો દ્વારા પ્રસ્થાપિત કરવામાં આવેલું હતું. બ્રિટિશર લોકોએ ભારત અને શ્રીલંકામાં ચાના બગીચા, મલેશિયામાં રબરના છોડવા, વેસ્ટ ઇન્ડિઝમાં શેરડી અને કેળાંના ઉત્પાદનને સ્થાપિત કર્યું સ્પેનિશ અને અમેરિક લોકોએ ફિલિપાઈન્સ માં નારિયેળ અને શેરડીના વાનેતર માં ઊંચું રોકાણ કર્યું. ડચ લોકો ઇન્ડોનેશિયામાં થતા શેરડીના વાવેતર માં એકાધિકાર ધરાવતાં હતાં કેટલાક યુરોપિયન દ્વારા સંચલિત કરવામાં આવે છે. આજે, મોટાભાગના બાગાયત અને વૃક્ષારોપનો અધિકાર સરકાર અથવા જે-તે દેસના નાગરિકો પાસે છે.

તળાવ, સરોવર વગેરે જળ સંસ્થાઓના સપાટી પર જે નાના સૂક્ષ્મ જીવ જોવા મળે છે. તેને શું કહેવામાં આવે છે ?

1. નેકટન
2. ફાયટોપ્લાંકટોન
3. તરતા છોડવાં
4. સ્થળ / પાર્થિવ છોડવાં

Options :

485584136997. 1

485584136998. 2

485584136999. 3

485584137000. 4

Sub-Section Number :

3

Sub-Section Id :

4855842532

Question Shuffling Allowed :

No

Is Section Default? :

null

Question Number : 96 Question Id : 48558434251 Question Type : MCQ Option Shuffling : No Is Question Mandatory : No Calculator : None Response Time : N.A Think Time : N.A Minimum Instruction Time : 0

Correct Marks : 5 Wrong Marks : 1

Question Key Details :

Key	Value
Comprehension	Comp2

The French established cocoa and coffee plantations in West Africa. The British set up large tea gardens in India and Sri Lanka, rubber plantation in Malaysia, and Sugarcane and banana plantations in West Indies. Spanish and Americans invested heavily in coconut and sugarcane plantations in the Philippines. The Dutch once had monopoly over Sugarcane plantations in Indonesia. Some Coffee Fazendar (large plantation) in Brazil are still managed by Europeans. Today, ownership of the majority of plantations have passed into the hands of the government or the nationals of the countries concerned.

The British set up large _____ in India and Sri Lanka.

1. Rubber plantation
2. Sugarcane plantation
3. Banana gardens
4. Tea gardens

Options :

485584137001. 1
485584137002. 2
485584137003. 3
485584137004. 4

Question Number : 96 Question Id : 48558434251 Question Type : MCQ Option Shuffling : No Is Question Mandatory : No Calculator : None Response Time : N.A Think Time : N.A Minimum Instruction Time : 0

Correct Marks : 5 Wrong Marks : 1

Question Key Details :

Key	Value
Comprehension	Comp2

મિસિંગ સમુદાય તેમના ઘરો ઊંચા મંચ પર બાંધે છે. એક પરંપરાગત મિસિંગ ઘર બનાવવા વાસ અને ઘાસનો ઉપયોગ કરવામાં આવે છે. દિવાસો વાંશ દ્વારા બનાવવામાં આવે છે. છાપરૂં ઘાસવાળું હોય છે. એક વિશિષ્ટ મિસિંગ ઘરમાં એક નોટા હોલ જેવા રૂમનો સમાવેશ થાય છે તેમાં કુટુંબના બધા સભ્યો રહી શકે. પ્રવેશ દ્વારા નજીકના ભાગને વરંડા તરીકે ઉપયોગમાં લેવાય છે જ્યાં મહેમાનોની આગતા સ્વાગતા કરવામાં આવે છે. પ્લેટ ફોર્મ કે મંચની નીચે ઓરડાં રાખવામાં આવે છે. તેમાં તેમના દ્વારા ઉછેરવામાં આવતા ભૂંડી પણ રાખવામાં આવે છે. તેમના ઘરને અડીને તેઓ ઢોરઢાંખ અને મરઘીઓ માટેનો ખડો બનાવે છે. અગ્નિ સ્થળને મેરામ કહેવામાં આવે છે અને તેને પવિત્ર માનવામાં આવે છે.

નીચેના કયા બાયોમ્સમાં સરેરાશ વાર્ષિક તાપમાન ($^{\circ}\text{C}$ માં) ઋણાત્મક હોય છે ?

1. રણવિસ્તરો
2. ઉષ્ણકટિબંધીય જંગલો
3. આર્કટિક અને આલ્પાઈન ટુડ્રાં
4. ઘાસ જમીનો

Options :

485584137001. 1
485584137002. 2
485584137003. 3
485584137004. 4

Question Number : 97 Question Id : 48558434252 Question Type : MCQ Option Shuffling : No Is Question Mandatory : No Calculator : None Response Time : N.A Think Time : N.A Minimum Instruction Time : 0

Correct Marks : 5 Wrong Marks : 1

Question Key Details :

Key	Value
Comprehension	Comp2

The French established cocoa and coffee plantations in West Africa. The British set up large tea gardens in India and Sri Lanka, rubber plantation in Malaysia, and Sugarcane and banana plantations in West Indies. Spanish and Americans invested heavily in coconut and sugarcane plantations in the Philippines. The Dutch once had monopoly over Sugarcane plantations in Indonesia. Some Coffee Fazendar (large plantation) in Brazil are still managed by Europeans. Today, ownership of the majority of plantations have passed into the hands of the government or the nationals of the countries concerned.

_____ once had monopoly over Sugarcane plantation in Indonesia.

1. French
2. Malaysia
3. Philippines
4. Dutch

Options :

485584137005. 1
485584137006. 2
485584137007. 3
485584137008. 4

Question Number : 97 Question Id : 48558434252 Question Type : MCQ Option Shuffling : No Is Question Mandatory : No Calculator : None Response Time : N.A Think Time : N.A Minimum Instruction Time : 0

Correct Marks : 5 Wrong Marks : 1

Question Key Details :

Key	Value
Comprehension	Comp2

મિસિંગ સમુદાય તેમના ઘરો ઊંચા મંચ પર બાંધે છે. એક પરંપરાગત મિસિંગ ઘર બનાવવા વાસ અને ઘાસનો ઉપયોગ કરવામાં આવે છે. દિવાસો વાંશ દ્રાવા બનાવવામાં આવે છે. છાપરૂં ઘાસવાળું હોય છે. એક વિશિષ્ટ મિસિંગ ઘરમાં એક નોટા હોલ જેવા રૂમનો સમાવેશ થાય છે તેમાં કુટુંબના બધા સભ્યો રહી શકે. પ્રવેશ દ્વારા નજીકના ભાગને વરંડા તરીકે ઉપયોગમાં લેવાય છે જ્યાં મહેમાનોની આગતા સ્વાગતા કરવામાં આવે છે. પ્લેટ ફોર્મ કે મંચની નીચે ઓરડાં રાખવામાં આવે છે. તેમાં તેમના દ્વારા ઉછેરવામાં આવતા ભૂંડો પણ રાખવામાં આવે છે. તેમના ઘરને અડીને તેઓ ઢોરઢાંખ અને મરઘીઓ માટેનો ખડો બનાવે છે. અગ્નિ સ્થળને મેરામ કહેવામાં આવે છે અને તેને પવિત્ર માનવામાં આવે છે.

બેક્ટેરિયા અને ફૂગ જેવાં સૂક્ષ્મ જીવોને શું કહેવામાં આવે છે ?

1. સ્વપોષક (ઓટોટ્રોફ્સ)
2. સર્વભક્ષી
3. શાકાહારી
4. વિઘટન કરનાર

Options :

485584137005. 1
485584137006. 2
485584137007. 3
485584137008. 4

Question Number : 98 Question Id : 48558434253 Question Type : MCQ Option Shuffling : No Is Question Mandatory : No Calculator : None Response Time : N.A Think Time : N.A Minimum Instruction Time : 0

Correct Marks : 5 Wrong Marks : 1

Question Key Details :

Key	Value
Comprehension	Comp2

The French established cocoa and coffee plantations in West Africa. The British set up large tea gardens in India and Sri Lanka, rubber plantation in Malaysia, and Sugarcane and banana plantations in West Indies. Spanish and Americans invested heavily in coconut and sugarcane plantations in the Philippines. The Dutch once had monopoly over Sugarcane plantations in Indonesia. Some Coffee Fazendar (large plantation) in Brazil are still managed by Europeans. Today, ownership of the majority of plantations have passed into the hands of the government or the nationals of the countries concerned.

The French established Cocoa and Coffee plantations in.

1. East Africa
2. West Africa
3. East America
4. South America

Options :

485584137009. 1
485584137010. 2
485584137011. 3
485584137012. 4

Question Number : 98 Question Id : 48558434253 Question Type : MCQ Option Shuffling : No Is Question Mandatory : No Calculator : None Response Time : N.A Think Time : N.A Minimum Instruction Time : 0

Correct Marks : 5 Wrong Marks : 1

Question Key Details :

Key	Value
Comprehension	Comp2

મિસિંગ સમુદાય તેમના ઘરો ઊંચા મંચ પર બાંધે છે. એક પરંપરાગત મિસિંગ ઘર બનાવવા વાસ અને ઘાસનો ઉપયોગ કરવામાં આવે છે. દિવાસો વાંશ દ્રાવા બનાવવામાં આવે છે. છાપરૂં ઘાસવાળું હોય છે. એક વિશિષ્ટ મિસિંગ ઘરમાં એક નીટા હોલ જેવા રૂમનો સમાવેશ થાય છે તેમાં કુટુંબના બધા સભ્યો રહી શકે. પ્રવેશ દ્વારા નજીકના ભાગને વરંડા તરીકે ઉપયોગમાં લેવાય છે જ્યાં મહેમાનોની આગતા સ્વાગતા કરવામાં આવે છે. પ્લેટ ફોર્મ કે મંચની નીચે ઓરડાં રાખવામાં આવે છે. તેમાં તેમના દ્વારા ઉછેરવામાં આવતા ભૂંડી પણ રાખવામાં આવે છે. તેમના ઘરને અડીને તેઓ ઢોરઢાંખ અને મરઘીઓ માટેનો ખડો બનાવે છે. અગ્નિ સ્થળને મેરામ કહેવામાં આવે છે અને તેને પવિત્ર માનવામાં આવે છે.

સૂચિ I ને સૂચિ II સાથે જોડો.

સૂચિ I		સૂચિ II	
A.	ગાય	I.	સર્વવક્ષી
B.	મનુષ્ય	II.	માંસાહરી
C.	સિંહ	III.	ડટ્ટીટીવોર
D.	અળસિયાં	IV.	શાહાકારી

નીચે આપેલા વિકલ્પોમાંથી સાચો જવાબ પસંદ કરો.

1. A-II, B-I, C-III, D-IV
2. A-IV, B-I, C-II, D-III
3. A-I, B-III, C-II, D-IV
4. A-I, B-I, C-III, D-IV

Options :

485584137009. 1
485584137010. 2
485584137011. 3
485584137012. 4

Question Number : 99 Question Id : 48558434254 Question Type : MCQ Option Shuffling : No Is Question Mandatory : No Calculator : None Response Time : N.A Think Time : N.A Minimum Instruction Time : 0

Correct Marks : 5 Wrong Marks : 1

Question Key Details :

Key	Value
Comprehension	Comp2

The French established cocoa and coffee plantations in West Africa. The British set up large tea gardens in India and Sri Lanka, rubber plantation in Malaysia, and Sugarcane and banana plantations in West Indies. Spanish and Americans invested heavily in coconut and sugarcane plantations in the Philippines. The Dutch once had monopoly over Sugarcane plantations in Indonesia. Some Coffee Fazendar (large plantation) in Brazil are still managed by Europeans. Today, ownership of the majority of plantations have passed into the hands of the government or the nationals of the countries concerned.

The British set up large sugarcane and banana plantations in.

1. India and Sri Lanka
2. Indonesia
3. West Indies
4. Spain

Options :

485584137013. 1
485584137014. 2
485584137015. 3

Question Number : 99 Question Id : 48558434254 Question Type : MCQ Option Shuffling : No Is Question Mandatory : No Calculator : None Response Time : N.A Think Time : N.A Minimum Instruction Time : 0

Correct Marks : 5 Wrong Marks : 1

Question Key Details :

Key	Value
Comprehension	Comp2

મિસિંગ સમુદાય તેમના ઘરો ઊંચા મંચ પર બાંધે છે. એક પરંપરાગત મિસિંગ ઘર બનાવવા વાસ અને ઘાસનો ઉપયોગ કરવામાં આવે છે. દિવાસો વાંશ દ્વારા બનાવવામાં આવે છે. છાપરૂં ઘાસવાળું હોય છે. એક વિશિષ્ટ મિસિંગ ઘરમાં એક નોટા હોલ જેવા રૂમનો સમાવેશ થાય છે તેમાં કુટુંબના બધા સભ્યો રહી શકે. પ્રવેશ દ્વારા નજીકના ભાગને વરંડા તરીકે ઉપયોગમાં લેવાય છે જ્યાં મહેમાનોની આગતા સ્વાગતા કરવામાં આવે છે. પ્લેટ ફોર્મ કે મંચની નીચે ઓરડાં રાખવામાં આવે છે. તેમાં તેમના દ્વારા ઉછેરવામાં આવતા ભૂંડી પણ રાખવામાં આવે છે. તેમના ઘરને અડીને તેઓ ઢોરઢાંખ અને મરઘીઓ માટેનો ખડો બનાવે છે. અગ્નિ સ્થળને મેરામ કહેવામાં આવે છે અને તેને પવિત્ર માનવામાં આવે છે.

જાપાનને લોકોમાં થયેલ ઈટાઈ રોગ શેના ઉપભોગના કારણે થયો હતો ?

1. કૈસમિયમ દુષિત ચોખા
2. કૈસમિયન દુષિત પાણી
3. કૈસમિયન દુષિત માછલી
4. કૈસમિયન દુષિત દૂધ

Options :

485584137013. 1
485584137014. 2
485584137015. 3
485584137016. 4

Question Number : 100 Question Id : 48558434255 Question Type : MCQ Option Shuffling : No Is Question Mandatory : No Calculator : None Response Time : N.A Think Time : N.A Minimum Instruction Time : 0

Correct Marks : 5 Wrong Marks : 1

Question Key Details :

Key	Value
Comprehension	Comp2

The French established cocoa and coffee plantations in West Africa. The British set up large tea gardens in India and Sri Lanka, rubber plantation in Malaysia, and Sugarcane and banana plantations in West Indies. Spanish and Americans invested heavily in coconut and sugarcane plantations in the Philippines. The Dutch once had monopoly over Sugarcane plantations in Indonesia. Some Coffee Fazendar (large plantation) in Brazil are still managed by Europeans. Today, ownership of the majority of plantations have passed into the hands of the government or the nationals of the countries concerned.

Spanish and Americans invested heavily in _____ the Philippines.

- A. Banana plantation
- B. Rubber plantation
- C. Coconut plantation
- D. Sugarcane plantation
- E. Tea garden

Choose the correct answer from the options given below:

- 1. A and B only
- 2. B and D only
- 3. C and D only
- 4. D and E only

Options :

- 485584137017. 1
- 485584137018. 2
- 485584137019. 3
- 485584137020. 4

Question Number : 100 Question Id : 48558434255 Question Type : MCQ Option Shuffling : No Is Question Mandatory : No Calculator : None Response Time : N.A Think Time : N.A Minimum Instruction Time : 0

Correct Marks : 5 Wrong Marks : 1

Question Key Details :

Key	Value
Comprehension	Comp2

મિસિંગ સમુદાય તેમના ઘરો ઊંચા મંચ પર બાંધે છે. એક પરંપરાગત મિસિંગ ઘર બનાવવા વાસ અને ઘાસનો ઉપયોગ કરવામાં આવે છે. દિવાસો વાંશ દ્રાવા બનાવવામાં આવે છે. છાપરૂં ઘાસવાળું હોય છે. એક વિશિષ્ટ મિસિંગ ઘરમાં એક નોટા હોલ જેવા રૂમનો સમાવેશ થાય છે તેમાં કુટુંબના બધા સભ્યો રહી શકે. પ્રવેશ દ્વારા નજીકના ભાગને વરંડા તરીકે ઉપયોગમાં લેવાય છે જ્યાં મહેમાનોની આગતા સ્વાગતા કરવામાં આવે છે. પ્લેટ ફોર્મ કે મંચની નીચે ઓરડાં રાખવામાં આવે છે. તેમાં તેમના દ્વારા ઉછેરવામાં આવતા ભૂંડી પણ રાખવામાં આવે છે. તેમના ઘરને અડીને તેઓ ઢોરઢાંખ અને મરઘીઓ માટેનો ખડો બનાવે છે. અગ્નિ સ્થળને મેરામ કહેવામાં આવે છે અને તેને પવિત્ર માનવામાં આવે છે.

ગાલના ઓછાં હાડકાં અને ચહેરાનાં પ્રોગ્નેથિઝમની ગેરહાજરી કોનામાં લાક્ષણિક થયેલી જોવા મળે છે ?

- 1. કૌકાસોઈડ
- 2. નેગ્રોઈડ
- 3. મોન્ગોલોઈડ
- 4. ઓસ્ટ્રાલોઈડ

Options :

- 485584137017. 1
- 485584137018. 2

485584137019.3

485584137020.4

Engineering Graphics

Group Number : 8
Group Id : 485584775
Group Maximum Duration : 45
Group Minimum Duration : 45
Show Attended Group? : No
Edit Attended Group? : No
Break time : 0
Group Marks : 200
Is this Group for Examiner? : No
Examiner permission : Cant View
Show Progress Bar? : No

Engineering Graphics

Section Id : 485584893
Section Number : 1
Section type : Online
Mandatory or Optional : Mandatory
Number of Questions : 50
Number of Questions to be attempted : 40
Section Marks : 200
Enable Mark as Answered Mark for Review and Clear Response : Yes
Maximum Instruction Time : 0
Sub-Section Number : 1
Sub-Section Id : 4855842533
Question Shuffling Allowed : Yes
Is Section Default? : null

Question Number : 101 Question Id : 48558434606 Question Type : MCQ Option Shuffling : No Is Question Mandatory : No Calculator : None Response Time : N.A Think Time : N.A Minimum Instruction Time : 0

Correct Marks : 5 Wrong Marks : 1

Question Key Details :

Key	Value
Comprehension	MCQ

The view that gives inside details of an object is _____.

1. top view
2. front view
3. detailed view
4. sectional view

Options :

485584138421.1

485584138422. 2

485584138423. 3

485584138424. 4

Question Number : 101 Question Id : 48558434606 Question Type : MCQ Option Shuffling : No Is Question Mandatory : No Calculator : None Response Time : N.A Think Time : N.A Minimum Instruction Time : 0

Correct Marks : 5 Wrong Marks : 1

Question Key Details :

Key	Value
Comprehension	MCQ

_____ દૃશ્ય એક વસ્તુનું આંતરિક વિસ્તૃત માહિતી (વિચરણ) આપે છે.

1. ટોપ દૃશ્ય
2. ફ્રન્ટ દૃશ્ય (આગળના ભાગથી)
3. વિસ્તૃત વિગતવાર દૃશ્ય
4. સેક્શનલ દૃશ્ય

Options :

485584138421. 1

485584138422. 2

485584138423. 3

485584138424. 4

Question Number : 102 Question Id : 48558434607 Question Type : MCQ Option Shuffling : No Is Question Mandatory : No Calculator : None Response Time : N.A Think Time : N.A Minimum Instruction Time : 0

Correct Marks : 5 Wrong Marks : 1

Question Key Details :

Key	Value
Comprehension	MCQ

In Perspective projection, object appears to converge at a point, called _____.

1. enlarged point
2. vanishing point
3. dimensional point
4. horizontal plane

Options :

485584138425. 1

485584138426. 2

485584138427. 3

485584138428. 4

Question Number : 102 Question Id : 48558434607 Question Type : MCQ Option Shuffling : No Is Question Mandatory : No Calculator : None Response Time : N.A Think Time : N.A Minimum Instruction Time : 0

Correct Marks : 5 Wrong Marks : 1

Question Key Details :

Key	Value
Comprehension	MCQ

પરિપ્રેક્ષ્ય દૃષ્ટિકોણમાં વસ્તુ એક બિંદુ પર અભિસરે છે, _____ કહે છે.

1. વિવર્ધિત બિંદુ
2. અદૃશ્ય બિંદુ વેનીશીંગ બિંદુ
3. પરિમાણીય બિંદુ
4. ક્ષિતિજ સમતલ આડું સમતલ

Options :

485584138425. 1
485584138426. 2
485584138427. 3
485584138428. 4

Question Number : 103 Question Id : 48558434608 Question Type : MCQ Option Shuffling : No Is Question Mandatory : No Calculator : None Response Time : N.A Think Time : N.A Minimum Instruction Time : 0

Correct Marks : 5 Wrong Marks : 1

Question Key Details :

Key	Value
Comprehension	MCQ

A solid having two bases and rectangular faces is _____.

1. Pyramid
2. Sphere
3. Prism
4. Cylinder

Options :

485584138429. 1
485584138430. 2
485584138431. 3
485584138432. 4

Question Number : 103 Question Id : 48558434608 Question Type : MCQ Option Shuffling : No Is Question Mandatory : No Calculator : None Response Time : N.A Think Time : N.A Minimum Instruction Time : 0

Correct Marks : 5 Wrong Marks : 1

Question Key Details :

Key	Value
Comprehension	MCQ

એક ઘન બે આધાર અને લંબચોરસ બાજુઓ ધરાવે છે તે _____

1. પિરામીડ
2. ગોળો
3. પ્રિઝમ
4. નળાકાર

Options :

485584138429. 1
485584138430. 2
485584138431. 3
485584138432. 4

Question Number : 104 Question Id : 48558434609 Question Type : MCQ Option Shuffling : No Is Question Mandatory : No Calculator : None Response Time : N.A Think Time : N.A Minimum Instruction Time : 0

Correct Marks : 5 Wrong Marks : 1

Question Key Details :

Key	Value
Comprehension	MCQ

The isometric projection of an object is _____ view projection.

1. double
2. single
3. multiple
4. triple

Options :

485584138433. 1
485584138434. 2
485584138435. 3
485584138436. 4

Question Number : 104 Question Id : 48558434609 Question Type : MCQ Option Shuffling : No Is Question Mandatory : No Calculator : None Response Time : N.A Think Time : N.A Minimum Instruction Time : 0

Correct Marks : 5 Wrong Marks : 1

Question Key Details :

Key	Value
Comprehension	MCQ

એક વસ્તુનું સમમિતીય પ્રક્ષેપ આઇસોમેટ્રીક પ્રક્ષેપ _____ દૃશ્ય પ્રક્ષેપ છે.

1. બમણું
2. એકલ
3. બહુવિધ બહુલ
4. ત્રિવિધ ત્રણ ગણું

Options :

485584138433. 1
485584138434. 2
485584138435. 3
485584138436. 4

Question Number : 105 Question Id : 48558434610 Question Type : MCQ Option Shuffling : No Is Question Mandatory : No Calculator : None Response Time : N.A Think Time : N.A Minimum Instruction Time : 0

Correct Marks : 5 Wrong Marks : 1

Question Key Details :

Key	Value
Comprehension	MCQ

The isometric scale is used to obtain the _____ of the edges of any object to draw its isometric projection.

1. foreshortened length
2. enlarged length
3. true length
4. double length

Options :

485584138437. 1
485584138438. 2
485584138439. 3
485584138440. 4

Question Number : 105 Question Id : 48558434610 Question Type : MCQ Option Shuffling : No Is Question Mandatory : No Calculator : None Response Time : N.A Think Time : N.A Minimum Instruction Time : 0

Correct Marks : 5 Wrong Marks : 1

Question Key Details :

Key	Value
Comprehension	MCQ

સમમિતીય આઇસોમેટ્રીક માપ સ્કેલ નો ઉપયોગ સમમિતીય પ્રક્ષેપ આઇસોમેટ્રીક પ્રક્ષેપ દ્વરવા માટે કોઈ પણ વસ્તુના પરિમાણોના _____ મેળવવા માટે થાય છે.

1. અગ્રસંક્ષીપત લંબાઈ પૂર્વ સંક્ષિપ્ત લંબાઈ
2. વિવર્ધિત લંબાઈ
3. વાસ્તવિક લંબાઈ
4. સંપૂર્ણ કદ લંબાઈ પૂરા આકારની લંબાઈ

Options :

485584138437. 1
 485584138438. 2
 485584138439. 3
 485584138440. 4

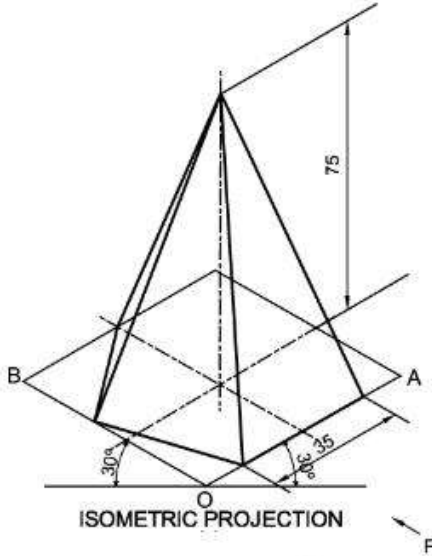
Question Number : 106 Question Id : 48558434611 Question Type : MCQ Option Shuffling : No Is Question Mandatory : No Calculator : None Response Time : N.A Think Time : N.A Minimum Instruction Time : 0

Correct Marks : 5 Wrong Marks : 1

Question Key Details :

Key	Value
Comprehension	MCQ

Choose the **correct** option as per the given figure:



1. A hexagonal prism is resting on H.P. on its base.
2. A pentagonal prism is resting on H.P. on its base.
3. A pentagonal pyramid is resting on H.P. on its apex.
4. A pentagonal pyramid is resting on H.P. on its base.

Options :

485584138441. 1

485584138442. 2

485584138443. 3

485584138444. 4

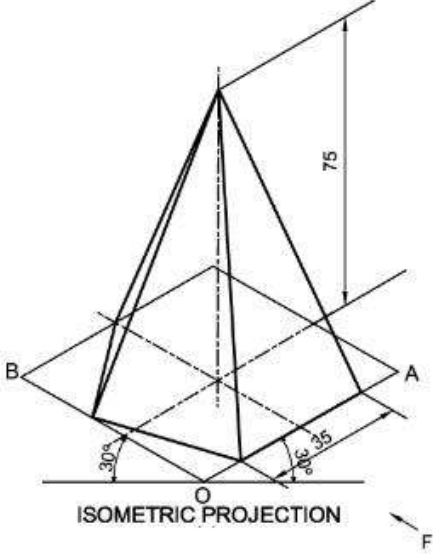
Question Number : 106 Question Id : 48558434611 Question Type : MCQ Option Shuffling : No Is Question Mandatory : No Calculator : None Response Time : N.A Think Time : N.A Minimum Instruction Time : 0

Correct Marks : 5 Wrong Marks : 1

Question Key Details :

Key	Value
Comprehension	MCQ

આપેલ આકૃતિ પરથી સાચુ વિધાન પસંદ કરો.



1. એક હેક્ઝાગોનલ પ્રિઝમ HP ના આધાર પર ટકેલ છે.
2. એક પેન્ટાગોનલ પ્રિઝમ HPના આધાર પર ટકેલ છે.
3. એક પેન્ટાગોનલ પિરામીડ HP પર તેના શિખર (apex) પર ટકેલ છે.
4. એક પેન્ટાગોનલ પિરામીડ HP ના આધાર પર ટકેલ છે.

Options :

485584138441. 1

485584138442. 2

485584138443. 3

485584138444. 4

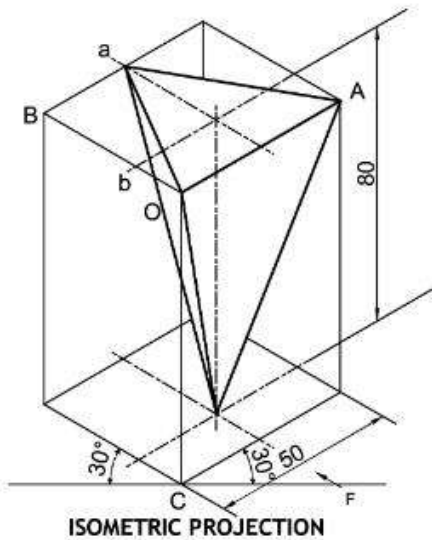
Question Number : 107 Question Id : 48558434612 Question Type : MCQ Option Shuffling : No Is Question Mandatory : No Calculator : None Response Time : N.A Think Time : N.A Minimum Instruction Time : 0

Correct Marks : 5 Wrong Marks : 1

Question Key Details :

Key	Value
Comprehension	MCQ

Choose the **correct** option as per the given figure:



1. One of its base edges is perpendicular to V.P.
2. One of its base edges is parallel to V.P. and away from the observer.
3. One of its base edges is parallel to V.P. and nearer to the observer.
4. One of its base edges is perpendicular to H.P.

Options :

- 485584138445. 1
- 485584138446. 2
- 485584138447. 3
- 485584138448. 4

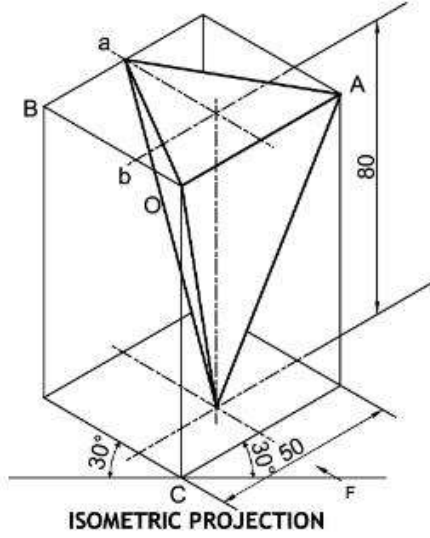
Question Number : 107 Question Id : 48558434612 Question Type : MCQ Option Shuffling : No Is Question Mandatory : No Calculator : None Response Time : N.A Think Time : N.A Minimum Instruction Time : 0

Correct Marks : 5 Wrong Marks : 1

Question Key Details :

Key	Value
Comprehension	MCQ

આપેલ આકૃતિ પ્રમાણે સાચો વિકલ્પ પસંદ કરો.



1. તેનો એક આધાર બાજુઓ V.P. ને લંબ છે.
2. તેનો એક આધાર બાજુઓ V.P. ને સમાંતર અને નિરીક્ષણ થી દૂર છે.
3. તેનો એક આધાર બાજુઓ V.P. ને સમાંતર અને નિરક્ષણથી નજીક છે.
4. તેનો એક આધાર બાજુઓ H.P. ને લંબ છે.

Options :

485584138445. 1
485584138446. 2
485584138447. 3
485584138448. 4

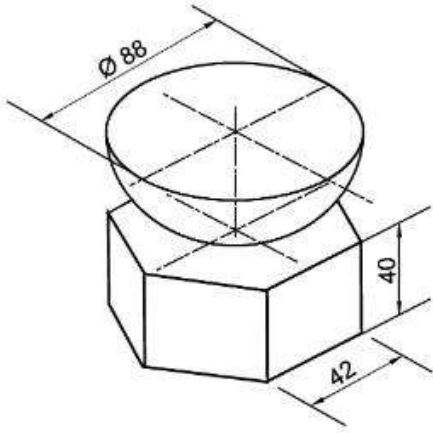
Question Number : 108 Question Id : 48558434613 Question Type : MCQ Option Shuffling : No Is Question Mandatory : No Calculator : None Response Time : N.A Think Time : N.A Minimum Instruction Time : 0

Correct Marks : 5 Wrong Marks : 1

Question Key Details :

Key	Value
Comprehension	MCQ

Choose the **correct** option as per the given figure:



1. A hemisphere is resting on a hexagonal pyramid.
2. A hemisphere is resting on a hexagonal prism.
3. A sphere is resting on a pentagonal pyramid.
4. A sphere is resting on a hexagonal prism.

Options :

- 485584138449. 1
- 485584138450. 2
- 485584138451. 3
- 485584138452. 4

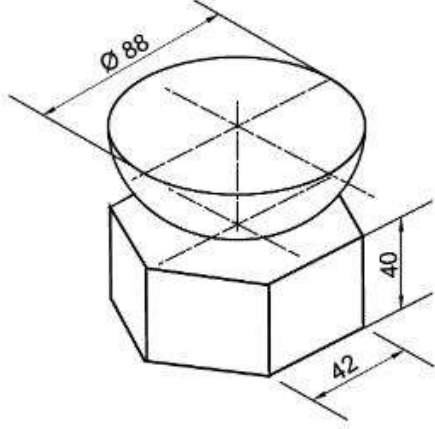
Question Number : 108 Question Id : 48558434613 Question Type : MCQ Option Shuffling : No Is Question Mandatory : No Calculator : None Response Time : N.A Think Time : N.A Minimum Instruction Time : 0

Correct Marks : 5 Wrong Marks : 1

Question Key Details :

Key	Value
Comprehension	MCQ

નીચે દર્શાવેલ આકૃતિના આધાર પર સાચું વિધાન પસંદ કરો.



1. એક અર્ધગોળ (ગોળાર્ધ) એ હેક્ઝાગોનલ પિરામીડ પર ટકેલ છે.
2. એક અર્ધગોળ એ હેક્ઝાગોનલ પ્રિઝમ પર ટકેલ છે.
3. એક અર્ધગોળ એ પેન્ટાગોનલ પિરામીડ પર ટકેલ છે.
4. એક ગોળો એ હેક્ઝાગોનલ પ્રિઝમ પર ટકેલ છે.

Options :

485584138449. 1
485584138450. 2
485584138451. 3
485584138452. 4

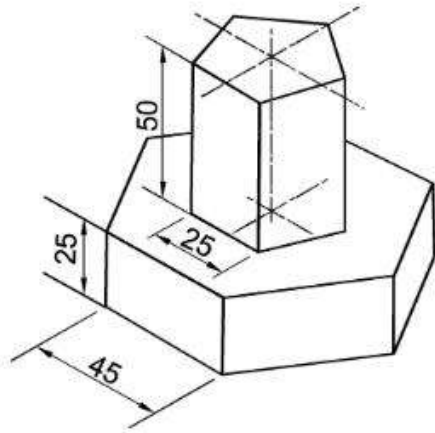
Question Number : 109 Question Id : 48558434614 Question Type : MCQ Option Shuffling : No Is Question Mandatory : No Calculator : None Response Time : N.A Think Time : N.A Minimum Instruction Time : 0

Correct Marks : 5 Wrong Marks : 1

Question Key Details :

Key	Value
Comprehension	MCQ

How many rectangular faces are there in the given figure:



1. 9
2. 10
3. 11
4. 12

Options :

- 485584138453. 1
- 485584138454. 2
- 485584138455. 3
- 485584138456. 4

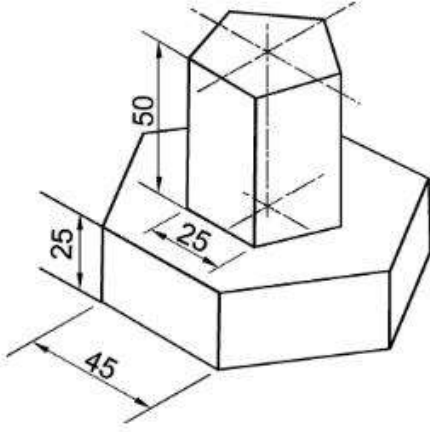
Question Number : 109 Question Id : 48558434614 Question Type : MCQ Option Shuffling : No Is Question Mandatory : No Calculator : None Response Time : N.A Think Time : N.A Minimum Instruction Time : 0

Correct Marks : 5 Wrong Marks : 1

Question Key Details :

Key	Value
Comprehension	MCQ

આપેલ આકૃતિ માં કેટલી વંબચોરસ બાજુઓ આવેલ છે.



1. 9
2. 10
3. 11
4. 12

Options :

485584138453. 1
485584138454. 2
485584138455. 3
485584138456. 4

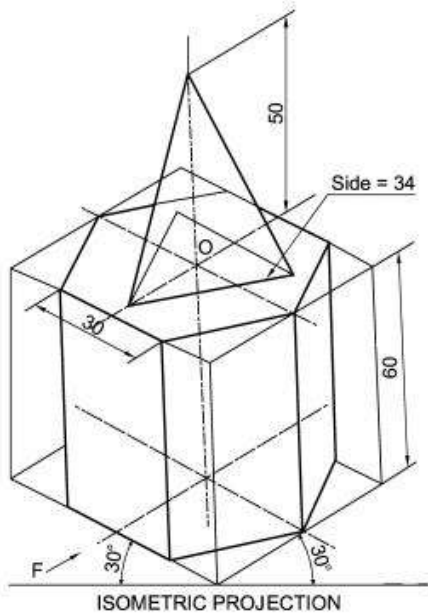
Question Number : 110 Question Id : 48558434615 Question Type : MCQ Option Shuffling : No Is Question Mandatory : No Calculator : None Response Time : N.A Think Time : N.A Minimum Instruction Time : 0

Correct Marks : 5 Wrong Marks : 1

Question Key Details :

Key	Value
Comprehension	MCQ

Choose the **correct** option as per the given figure:



1. Axial height of isometric projection of combination of solids is 88 mm.
2. Axial height of isometric projection of combination of solids is 110 mm.
3. Axial height of isometric projection of combination of solids is 60 mm.
4. Axial height of isometric projection of combination of solids is 50 mm.

Options :

- 485584138457. 1
- 485584138458. 2
- 485584138459. 3
- 485584138460. 4

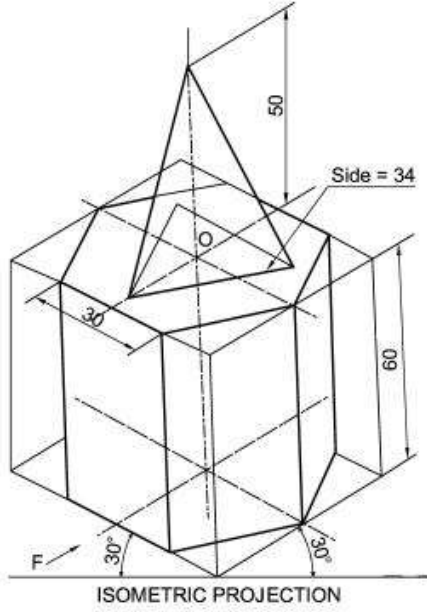
Question Number : 110 Question Id : 48558434615 Question Type : MCQ Option Shuffling : No Is Question Mandatory : No Calculator : None Response Time : N.A Think Time : N.A Minimum Instruction Time : 0

Correct Marks : 5 Wrong Marks : 1

Question Key Details :

Key	Value
Comprehension	MCQ

આપેલ આકૃતિમાં ઘનો ના સંયોજનોના સમમિતિય પ્રક્ષેપ ને જુઓ અને સાચો જવાબ પસંદ કરો.



1. ઘનો ના સંયોજનોના સમમિતિય પ્રક્ષેપ ની અક્ષીય ઊંચાઈ 88 mm છે.
2. ઘનો ના સંયોજનોના સમમિતિય પ્રક્ષેપ ની અક્ષીય ઊંચાઈ 110 mm છે.
3. ઘનો ના સંયોજનોના સમમિતિય પ્રક્ષેપ ની અક્ષીય ઊંચાઈ 60 mm છે.
4. ઘનો ના સંયોજનોના સમમિતિય પ્રક્ષેપ ની અક્ષીય ઊંચાઈ 50 mm છે.

Options :

485584138457. 1
485584138458. 2
485584138459. 3
485584138460. 4

Question Number : 111 Question Id : 48558434616 Question Type : MCQ Option Shuffling : No Is Question Mandatory : No Calculator : None Response Time : N.A Think Time : N.A Minimum Instruction Time : 0

Correct Marks : 5 Wrong Marks : 1

Question Key Details :

Key	Value
Comprehension	MCQ

In a Screw thread, theoretical depth (D) of the thread will be equal to _____.

1. (Major Diameter) – (Minor Diameter)
2. $\frac{\{(Major\ Diameter) - (Minor\ Diameter)\}}{2}$
3. $2 \times \{(Major\ Diameter) - (Minor\ Diameter)\}$
4. (Major Diameter) + (Minor Diameter)

Options :

485584138461. 1
485584138462. 2
485584138463. 3
485584138464. 4

Question Number : 111 Question Id : 48558434616 Question Type : MCQ Option Shuffling : No Is Question Mandatory : No Calculator : None Response Time : N.A Think Time : N.A Minimum Instruction Time : 0

Correct Marks : 5 Wrong Marks : 1

Question Key Details :

Key	Value
Comprehension	MCQ

સ્ક્રુ થ્રેડમાં, થ્રેડની સૈદ્ધાંતિક ઊંડાઈ _____ ને બરાબર હશે.

1. (દીર્ઘ વ્યાસ) - (લઘુ વ્યાસ)
2. $\frac{\{(દીર્ઘ વ્યાસ) - લઘુ વ્યાસ\}}{2}$
3. $2 \times (દીર્ઘ વ્યાસ) - (લઘુ વ્યાસ)$
4. (દીર્ઘ વ્યાસ) + (લઘુ વ્યાસ)

Options :

485584138461. 1
485584138462. 2
485584138463. 3
485584138464. 4

Question Number : 112 Question Id : 48558434617 Question Type : MCQ Option Shuffling : No Is Question Mandatory : No Calculator : None Response Time : N.A Think Time : N.A Minimum Instruction Time : 0

Correct Marks : 5 Wrong Marks : 1

Question Key Details :

Key	Value
Comprehension	MCQ

If pitch is 'P' in B.S.W. thread, then the value of 'd' (d= Actual Depth) will be _____.

1. 0.96P
2. 0.64P
3. 0.51P
4. 0.86P

Options :

485584138465. 1
485584138466. 2
485584138467. 3
485584138468. 4

Question Number : 112 Question Id : 48558434617 Question Type : MCQ Option Shuffling : No Is Question Mandatory : No Calculator : None Response Time : N.A Think Time : N.A Minimum Instruction Time : 0

Correct Marks : 5 Wrong Marks : 1

Question Key Details :

Key	Value
Comprehension	MCQ

BSW શ્રેણ માં પિચ pitch ('P') 50 mm હોય તો, પછી (a = વાસ્તવિક ઊંડાઈ) નું મૂલ્ય થશે તે _____.

1. 0.96P
2. 0.64P
3. 0.51P
4. 0.86P

Options :

485584138465. 1
485584138466. 2
485584138467. 3
485584138468. 4

Question Number : 113 Question Id : 48558434618 Question Type : MCQ Option Shuffling : No Is Question Mandatory : No Calculator : None Response Time : N.A Think Time : N.A Minimum Instruction Time : 0

Correct Marks : 5 Wrong Marks : 1

Question Key Details :

Key	Value
Comprehension	MCQ

Thread profile on an electric bulb:

1. Metric internal thread
2. Square thread
3. B.S.W. thread
4. Knuckle thread

Options :

485584138469. 1
485584138470. 2
485584138471. 3
485584138472. 4

Question Number : 113 Question Id : 48558434618 Question Type : MCQ Option Shuffling : No Is Question Mandatory : No Calculator : None Response Time : N.A Think Time : N.A Minimum Instruction Time : 0

Correct Marks : 5 Wrong Marks : 1

Question Key Details :

Key	Value
Comprehension	MCQ

એક વિદ્યુત બલ્બ પર થેડ પ્રોફાઇલ

1. મેટ્રીક આંતરિક થેડ (અંત:થેડ)
2. ચોરસ થેડ
3. BSW થેડ
4. નકલ થેડ (Knuckle thread)

Options :

485584138469. 1
485584138470. 2
485584138471. 3
485584138472. 4

Question Number : 114 Question Id : 48558434619 Question Type : MCQ Option Shuffling : No Is Question Mandatory : No Calculator : None Response Time : N.A Think Time : N.A Minimum Instruction Time : 0

Correct Marks : 5 Wrong Marks : 1

Question Key Details :

Key	Value
Comprehension	MCQ

The total length of a bolt does not include its _____.

1. shank length
2. threaded length
3. head thickness / head height
4. non-threaded length

Options :

485584138473. 1
485584138474. 2
485584138475. 3
485584138476. 4

Question Number : 114 Question Id : 48558434619 Question Type : MCQ Option Shuffling : No Is Question Mandatory : No Calculator : None Response Time : N.A Think Time : N.A Minimum Instruction Time : 0

Correct Marks : 5 Wrong Marks : 1

Question Key Details :

Key	Value
Comprehension	MCQ

એક બોલ્ટ ની કુલ લંબાઈ _____ ને સમાવિષ્ટ કરતું નથી

1. શાન્ક લંબાઈ
2. થ્રેડડ લંબાઈ
3. શીર્ષ જાડાઈ શીર્ષ ઊંચાઈ
4. નોન-થ્રેડડ લંબાઈ

Options :

485584138473. 1
485584138474. 2
485584138475. 3
485584138476. 4

Question Number : 115 Question Id : 48558434620 Question Type : MCQ Option Shuffling : No Is Question Mandatory : No Calculator : None Response Time : N.A Think Time : N.A Minimum Instruction Time : 0

Correct Marks : 5 Wrong Marks : 1

Question Key Details :

Key	Value
Comprehension	MCQ

_____ is the diameter of the chamfered circle of a square nut used for bolt of size M30.

1. 40 mm
2. 60 mm
3. 30 mm
4. 45 mm

Options :

- 485584138477. 1
- 485584138478. 2
- 485584138479. 3
- 485584138480. 4

Question Number : 115 Question Id : 48558434620 Question Type : MCQ Option Shuffling : No Is Question Mandatory : No Calculator : None Response Time : N.A Think Time : N.A Minimum Instruction Time : 0

Correct Marks : 5 Wrong Marks : 1

Question Key Details :

Key	Value
Comprehension	MCQ

_____ mm is the diameter of the chamfered circle of a square nut used for bolt of size M30.

1. 40
2. 60
3. 30
4. 45

Options :

- 485584138477. 1
- 485584138478. 2
- 485584138479. 3
- 485584138480. 4

Question Number : 116 Question Id : 48558434621 Question Type : MCQ Option Shuffling : No Is Question Mandatory : No Calculator : None Response Time : N.A Think Time : N.A Minimum Instruction Time : 0

Correct Marks : 5 Wrong Marks : 1

Question Key Details :

Key	Value
Comprehension	MCQ

The value of outer diameter of a plain washer for a bolt of nominal diameter 24 mm is _____.

1. 25 mm
2. 3 mm
3. 51 mm
4. 24 mm

Options :

485584138481. 1
485584138482. 2
485584138483. 3
485584138484. 4

Question Number : 116 Question Id : 48558434621 Question Type : MCQ Option Shuffling : No Is Question Mandatory : No Calculator : None Response Time : N.A Think Time : N.A Minimum Instruction Time : 0

Correct Marks : 5 Wrong Marks : 1

Question Key Details :

Key	Value
Comprehension	MCQ

નોમીનલ વ્યાસ 24 mm ના એક બોલ્ટ માટે સમતલ વોશર નો બાહ્ય વ્યાસ નું મૂલ્ય _____ છે.

1. 25 mm
2. 3 mm
3. 51 mm
4. 24 mm

Options :

485584138481. 1
485584138482. 2
485584138483. 3
485584138484. 4

Question Number : 117 Question Id : 48558434622 Question Type : MCQ Option Shuffling : No Is Question Mandatory : No Calculator : None Response Time : N.A Think Time : N.A Minimum Instruction Time : 0

Correct Marks : 5 Wrong Marks : 1

Question Key Details :

Key	Value
Comprehension	MCQ

In conventional representation of V-thread, the side view shows a complete thick circle representing the _____.

1. Crest
2. Root
3. Lead
4. Pitch

Options :

485584138485. 1
485584138486. 2
485584138487. 3
485584138488. 4

Question Number : 117 Question Id : 48558434622 Question Type : MCQ Option Shuffling : No Is Question Mandatory : No Calculator : None Response Time : N.A Think Time : N.A Minimum Instruction Time : 0

Correct Marks : 5 Wrong Marks : 1

Question Key Details :

Key	Value
Comprehension	MCQ

V-થ્રેડના પરંપરાગત (રુઠિગત) ચિત્રણ માં, બાજુનું દૃશ્ય એક જાડું વર્તુળ ને દેખાડે છે જે _____ દર્શાવે છે.

1. ક્રેસ્ટ - Crest
2. રુટ - Root
3. લીડ - Lead
4. પિચ - Pitch

Options :

485584138485. 1
485584138486. 2
485584138487. 3
485584138488. 4

Question Number : 118 Question Id : 48558434623 Question Type : MCQ Option Shuffling : No Is Question Mandatory : No Calculator : None Response Time : N.A Think Time : N.A Minimum Instruction Time : 0

Correct Marks : 5 Wrong Marks : 1

Question Key Details :

Key	Value
Comprehension	MCQ

Length of metal end for a Square neck stud of diameter 'd=30 mm' can be _____.

1. 15 mm
2. 25 mm
3. 45 mm
4. 60 mm

Options :

485584138489. 1
485584138490. 2
485584138491. 3
485584138492. 4

Question Number : 118 Question Id : 48558434623 Question Type : MCQ Option Shuffling : No Is Question Mandatory : No Calculator : None Response Time : N.A Think Time : N.A Minimum Instruction Time : 0

Correct Marks : 5 Wrong Marks : 1

Question Key Details :

Key	Value
Comprehension	MCQ

વ્યાસ 'd' = 30 mm ની એક ચોરસ ડોક વાળો સ્ક્વેર નેક સ્ટડ (Square neck stud) માટે ધાતુ છેજની લંબાઈ _____ છે.

1. 15 mm
2. 25 mm
3. 45 mm
4. 60 mm

Options :

485584138489. 1
485584138490. 2
485584138491. 3
485584138492. 4

Question Number : 119 Question Id : 48558434624 Question Type : MCQ Option Shuffling : No Is Question Mandatory : No Calculator : None Response Time : N.A Think Time : N.A Minimum Instruction Time : 0

Correct Marks : 5 Wrong Marks : 1

Question Key Details :

Key	Value
Comprehension	MCQ

The thickness of collar in a Collar stud of diameter 30 mm is :

1. 30 mm
2. 45 mm
3. 12 mm
4. 20 mm

Options :

485584138493. 1
485584138494. 2
485584138495. 3
485584138496. 4

Question Number : 119 Question Id : 48558434624 Question Type : MCQ Option Shuffling : No Is Question Mandatory : No Calculator : None Response Time : N.A Think Time : N.A Minimum Instruction Time : 0

Correct Marks : 5 Wrong Marks : 1

Question Key Details :

Key	Value
Comprehension	MCQ

30 mm વ્યાસ ના એક કોલર સ્ટડ માં કોલરની જાડાઈ શોધો.

1. 30 mm
2. 45 mm
3. 12 mm
4. 20 mm

Options :

485584138493. 1
485584138494. 2
485584138495. 3
485584138496. 4

Question Number : 120 Question Id : 48558434625 Question Type : MCQ Option Shuffling : No Is Question Mandatory : No Calculator : None Response Time : N.A Think Time : N.A Minimum Instruction Time : 0

Correct Marks : 5 Wrong Marks : 1

Question Key Details :

Key	Value
Comprehension	MCQ

Rivets are not used in _____.

1. a pressure cooker
2. belts
3. a frying pan
4. a wooden stool

Options :

485584138497. 1
485584138498. 2
485584138499. 3
485584138500. 4

Question Number : 120 Question Id : 48558434625 Question Type : MCQ Option Shuffling : No Is Question Mandatory : No Calculator : None Response Time : N.A Think Time : N.A Minimum Instruction Time : 0

Correct Marks : 5 Wrong Marks : 1

Question Key Details :

Key	Value
Comprehension	MCQ

_____ મા રિવેટો નો ઉપયોગ થતો નથી

1. પ્રેશર કુકર
2. બેલ્ટ (પટ્ટો)
3. તળવાની કઢાઈ (ફાઈંગ પેન)
4. વાકડાનું સ્ટૂલ

Options :

485584138497. 1
485584138498. 2
485584138499. 3
485584138500. 4

Question Number : 121 Question Id : 48558434626 Question Type : MCQ Option Shuffling : No Is Question Mandatory : No Calculator : None Response Time : N.A Think Time : N.A Minimum Instruction Time : 0

Correct Marks : 5 Wrong Marks : 1

Question Key Details :

Key	Value
Comprehension	MCQ

In the top view of a vertical Pan Head Rivet of diameter 20mm, _____ is the diameter of the outer circle.

1. 20 mm
2. 32 mm
3. 40 mm
4. 25 mm

Options :

485584138501. 1
485584138502. 2
485584138503. 3
485584138504. 4

Question Number : 121 Question Id : 48558434626 Question Type : MCQ Option Shuffling : No Is Question Mandatory : No Calculator : None Response Time : N.A Think Time : N.A Minimum Instruction Time : 0

Correct Marks : 5 Wrong Marks : 1

Question Key Details :

Key	Value
Comprehension	MCQ

20mm વ્યાસ સાથે એક વર્ટીકલ (ઉધ્વાકાર) પેન હેડ રિવેટ ના ટોપ (ટોચ) ના દૃશ્ય માં બાહ્ય વર્તુળ નો વ્યાસ _____ છે.

1. 20 mm
2. 32 mm
3. 40 mm
4. 25 mm

Options :

485584138501. 1
485584138502. 2
485584138503. 3
485584138504. 4

Question Number : 122 Question Id : 48558434627 Question Type : MCQ Option Shuffling : No Is Question Mandatory : No Calculator : None Response Time : N.A Think Time : N.A Minimum Instruction Time : 0

Correct Marks : 5 Wrong Marks : 1

Question Key Details :

Key	Value
Comprehension	MCQ

This assembly has an oil hole:

1. Sleeve and cotter joint assembly
2. Turnbuckle joint assembly
3. Bush bearing assembly
4. Open bearing assembly

Options :

485584138505. 1
485584138506. 2
485584138507. 3
485584138508. 4

Question Number : 122 Question Id : 48558434627 Question Type : MCQ Option Shuffling : No Is Question Mandatory : No Calculator : None Response Time : N.A Think Time : N.A Minimum Instruction Time : 0

Correct Marks : 5 Wrong Marks : 1

Question Key Details :

Key	Value
Comprehension	MCQ

આ સમન્વાયોજન (એસેમ્બલી) એક ઓઈલ (તેલ) છિદ્ર ધરાવે છે.

1. સ્લિવ અને કોટર જોઈન્ટ એસેમ્બલી
2. ટર્નબકલ જોઈન્ટ એસેમ્બલી
3. બુશ બેરિંગ એસેમ્બલી
4. ઓપન બેરિંગ એસેમ્બલી

Options :

485584138505. 1
485584138506. 2
485584138507. 3
485584138508. 4

Question Number : 123 Question Id : 48558434628 Question Type : MCQ Option Shuffling : No Is Question Mandatory : No Calculator : None Response Time : N.A Think Time : N.A Minimum Instruction Time : 0

Correct Marks : 5 Wrong Marks : 1

Question Key Details :

Key	Value
Comprehension	MCQ

Open Bearing is used for _____.

1. vertical shafts
2. shafts rotating at high speed
3. shafts rotating at medium speed
4. zigzag shafts

Options :

485584138509. 1
485584138510. 2
485584138511. 3
485584138512. 4

Question Number : 123 Question Id : 48558434628 Question Type : MCQ Option Shuffling : No Is Question Mandatory : No Calculator : None Response Time : N.A Think Time : N.A Minimum Instruction Time : 0

Correct Marks : 5 Wrong Marks : 1

Question Key Details :

Key	Value
Comprehension	MCQ

_____ માટે ઓપન બેરિંગ નો ઉપયોગ થાય છે.

1. ઉર્ધ્વાકાર (ઊભી) શાફ્ટો
2. વધુ ઝડપે (ગતિ) પર ભ્રમણ કરવા વાળી શાફ્ટો
3. મધ્યમ ઝડપે (ગતિ) પર ભ્રમણ કરવાવાળી શાફ્ટો
4. આઢીઅવળી (વાંકુચૂંક) શાફ્ટો

Options :

485584138509. 1
485584138510. 2
485584138511. 3
485584138512. 4

Question Number : 124 Question Id : 48558434629 Question Type : MCQ Option Shuffling : No Is Question Mandatory : No Calculator : None Response Time : N.A Think Time : N.A Minimum Instruction Time : 0

Correct Marks : 5 Wrong Marks : 1

Question Key Details :

Key	Value
Comprehension	MCQ

This bearing / joint is useful for higher loads at medium speed:

1. Bush Bearing
2. Open Bearing
3. Gib and Cotter joint
4. Sleeve and Cotter joint

Options :

485584138513. 1
485584138514. 2
485584138515. 3
485584138516. 4

Question Number : 124 Question Id : 48558434629 Question Type : MCQ Option Shuffling : No Is Question Mandatory : No Calculator : None Response Time : N.A Think Time : N.A Minimum Instruction Time : 0

Correct Marks : 5 Wrong Marks : 1

Question Key Details :

Key	Value
Comprehension	MCQ

આ બેરિંગ / જોઈન્ટ મધ્યમ ગતિ પર ઊંચા ભારો (higher loads) માટે ઉપયોગી છે.

1. બુશ બેરિંગ
2. ઓપન બેરિંગ
3. ગિબ અને કોટર જોઈન્ટ
4. સ્લિવ અને કોટર જોઈન્ટ

Options :

485584138513. 1
485584138514. 2
485584138515. 3
485584138516. 4

Question Number : 125 Question Id : 48558434630 Question Type : MCQ Option Shuffling : No Is Question Mandatory : No Calculator : None Response Time : N.A Think Time : N.A Minimum Instruction Time : 0

Correct Marks : 5 Wrong Marks : 1

Question Key Details :

Key	Value
Comprehension	MCQ

In a Sleeve and Cotter joint, each rod has _____ rectangular hole(s) for the insertion of cotter at right angle to the axis.

1. One
2. Two
3. Three
4. Five

Options :

485584138517. 1
485584138518. 2
485584138519. 3
485584138520. 4

Question Number : 125 Question Id : 48558434630 Question Type : MCQ Option Shuffling : No Is Question Mandatory : No Calculator : None Response Time : N.A Think Time : N.A Minimum Instruction Time : 0

Correct Marks : 5 Wrong Marks : 1

Question Key Details :

Key	Value
Comprehension	MCQ

એક સ્વીવ અને કોટર જોઈન્ટ માં, કોટરને અક્ષ ને કાટખૂણા પર ઘુસાડવા માટે રોડ ની પાસે _____ લંબચોરસ છિદ્ર (દ્રો) હોય છે.

1. એક
2. બે
3. ત્રણ
4. પાંચ

Options :

485584138517. 1
485584138518. 2
485584138519. 3
485584138520. 4

Question Number : 126 Question Id : 48558434631 Question Type : MCQ Option Shuffling : No Is Question Mandatory : No Calculator : None Response Time : N.A Think Time : N.A Minimum Instruction Time : 0

Correct Marks : 5 Wrong Marks : 1

Question Key Details :

Key	Value
Comprehension	MCQ

A machine part which prevents slacking of the joint besides holding the jaws of the strap from opening wide when the cotter is inserted;

1. Cotter
2. Rod
3. Gib
4. Sleeve

Options :

485584138521. 1
485584138522. 2
485584138523. 3
485584138524. 4

Question Number : 126 Question Id : 48558434631 Question Type : MCQ Option Shuffling : No Is Question Mandatory : No Calculator : None Response Time : N.A Think Time : N.A Minimum Instruction Time : 0

Correct Marks : 5 Wrong Marks : 1

Question Key Details :

Key	Value
Comprehension	MCQ

મશીનનો એક ભાગ જે કોટક દાખલ કરવામાં આવે ત્યારે પટ્ટાના (સ્ટ્રેપના) જડબા (jaws) પહોળા થવાથી પકડી રખવા ઉપરાંત જોઈન્ટ ને ઢીલા પડતા અટકાવે છે.

1. કોટર
2. રોડ
3. ગિબ
4. સ્લિવ

Options :

485584138521. 1
485584138522. 2
485584138523. 3
485584138524. 4

Question Number : 127 Question Id : 48558434632 Question Type : MCQ Option Shuffling : No Is Question Mandatory : No Calculator : None Response Time : N.A Think Time : N.A Minimum Instruction Time : 0

Correct Marks : 5 Wrong Marks : 1

Question Key Details :

Key	Value
Comprehension	MCQ

In Flange Pipe Joint, if it is mentioned SQ Headed Bolt MS-4 OFF. What is the meaning of 4 OFF ?

1. Four number of bolt.
2. Four types of bolt.
3. Four mm length of bolt.
4. Four mm thickness of bolt.

Options :

485584138525. 1
485584138526. 2
485584138527. 3
485584138528. 4

Question Number : 127 Question Id : 48558434632 Question Type : MCQ Option Shuffling : No Is Question Mandatory : No Calculator : None Response Time : N.A Think Time : N.A Minimum Instruction Time : 0

Correct Marks : 5 Wrong Marks : 1

Question Key Details :

Key	Value
Comprehension	MCQ

ફલેન્જ પાઇપ જોઇન્ટ માં, જો SQ હેડેડ બોલ્ટ MS-4 OFF અંકિત છે, તો 4 OFF નો અર્થ શું છે ?

1. બોલ્ટની ચાર સંખ્યાઓ
2. બોલ્ટના ચાર પ્રકારો
3. બોલ્ટની ચાર mm લંબાઈ
4. બોલ્ટની ચાર mm જાડાઈ

Options :

485584138525. 1
485584138526. 2
485584138527. 3
485584138528. 4

Question Number : 128 Question Id : 48558434633 Question Type : MCQ Option Shuffling : No Is Question Mandatory : No Calculator : None Response Time : N.A Think Time : N.A Minimum Instruction Time : 0

Correct Marks : 5 Wrong Marks : 1

Question Key Details :

Key	Value
Comprehension	MCQ

In Turnbuckle joint, the two rods have _____ screw threads.

1. Opposite hand external
2. Opposite hand internal
3. Both external RH
4. Both internal LH

Options :

485584138529. 1
485584138530. 2
485584138531. 3
485584138532. 4

Question Number : 128 Question Id : 48558434633 Question Type : MCQ Option Shuffling : No Is Question Mandatory : No Calculator : None Response Time : N.A Think Time : N.A Minimum Instruction Time : 0

Correct Marks : 5 Wrong Marks : 1

Question Key Details :

Key	Value
Comprehension	MCQ

ટર્નબકલ જોઈન્ટ માં, બે રોડ (rods) એ _____ સ્ક્રુ થ્રેડ્સ ધરાવે છે.

1. વિરુદ્ધ વિપરીત હાથ બાહ્ય
2. વિરુદ્ધ વિપરીત હાથ આંતરિક
3. બંને બાહ્ય RH
4. બંને આંતરિક LH

Options :

485584138529. 1
485584138530. 2
485584138531. 3
485584138532. 4

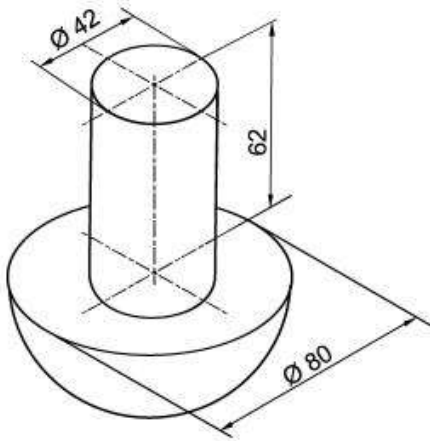
Question Number : 129 Question Id : 48558434634 Question Type : MCQ Option Shuffling : No Is Question Mandatory : No Calculator : None Response Time : N.A Think Time : N.A Minimum Instruction Time : 0

Correct Marks : 5 Wrong Marks : 1

Question Key Details :

Key	Value
Comprehension	MCQ

Identify the **correct** statements for the given figure:



- A. Axes of both solids are perpendicular to H.P.
- B. Axis of cylinder is perpendicular to V.P. and axis of hemisphere is perpendicular to H.P.
- C. A vertical cylinder is resting on the circular face of a hemisphere.
- D. A hemisphere is resting on a cylinder.
- E. A horizontal cylinder is resting on a hemisphere.

Choose the **correct** answer from the options given below:

- 1. B and E only
- 2. A and D only
- 3. D and E only
- 4. A and C only

Options :

- 485584138533. 1
- 485584138534. 2
- 485584138535. 3
- 485584138536. 4

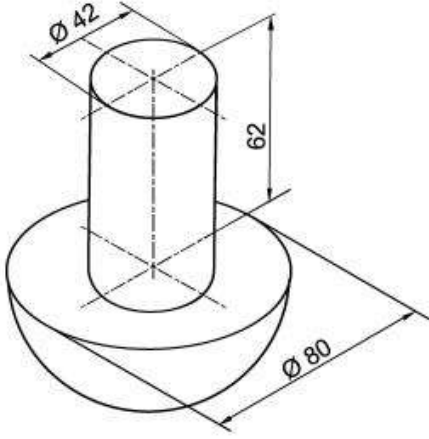
Question Number : 129 Question Id : 48558434634 Question Type : MCQ Option Shuffling : No Is Question Mandatory : No Calculator : None Response Time : N.A Think Time : N.A Minimum Instruction Time : 0

Correct Marks : 5 Wrong Marks : 1

Question Key Details :

Key	Value
Comprehension	MCQ

આપેલ આકૃતિ પ્રમાણે સાચો વિકલ્પ પસંદ કરો.



- A. બંને ઘનો ની અક્ષો HP ને લંબ છે.
- B. નળાકારની અક્ષ VP ને લંબ છે અને અર્ધગોળો (ગોળાર્ધ)ની અક્ષ HP ને લંબ છે.
- C. એક ઉર્ધ્વાકાર (ઊભું) નળાકાર એક અર્ધગોળા (ગોળાર્ધ)ની વર્તુળાકાર બાજુ પર ટકેલ છે.
- D. એક અર્ધગોળો (ગોળાર્ધ) નળાકાર પર ટકેલ છે.
- E. એક ક્ષિતિજ (આડું) નળાકાર એ અર્ધગોળા (ગોળાર્ધ) પર ટકેલ છે.

નીચે આપેલા વિકલ્પોમાંથી સાચો જવાબ પસંદ કરો.

- 1. માત્ર B અને E
- 2. માત્ર A અને D
- 3. માત્ર D અને E
- 4. માત્ર A અને C

Options :

- 485584138533. 1
- 485584138534. 2
- 485584138535. 3
- 485584138536. 4

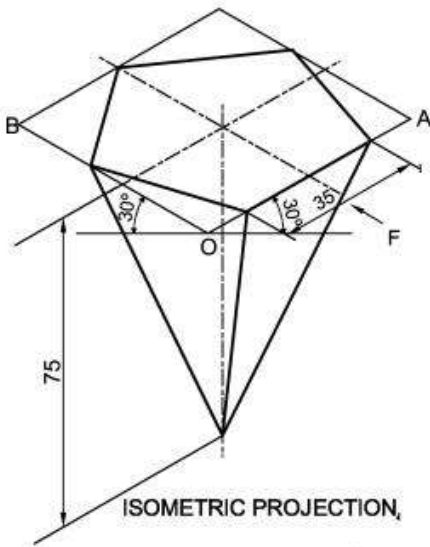
Question Number : 130 Question Id : 48558434635 Question Type : MCQ Option Shuffling : No Is Question Mandatory : No Calculator : None Response Time : N.A Think Time : N.A Minimum Instruction Time : 0

Correct Marks : 5 Wrong Marks : 1

Question Key Details :

Key	Value
Comprehension	MCQ

Identify the **correct** statements for the given figure:



- A. A pentagonal prism is resting on H.P. on its base.
- B. Axis of pyramid is perpendicular to V.P.
- C. Axis of pyramid is perpendicular to H.P.
- D. A pentagonal pyramid is resting on H.P. on its apex.
- E. Length of its axis is 35 mm.

Choose the **correct** answer from the options given below:

- 1. A and B only
- 2. C and D only
- 3. B and E only
- 4. A and C only

Options :

- 485584138537. 1
- 485584138538. 2
- 485584138539. 3
- 485584138540. 4

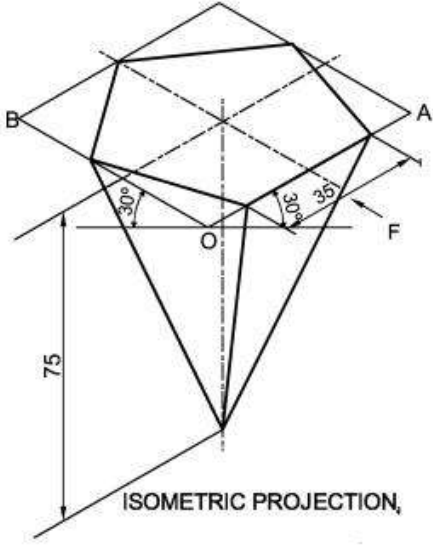
Question Number : 130 Question Id : 48558434635 Question Type : MCQ Option Shuffling : No Is Question Mandatory : No Calculator : None Response Time : N.A Think Time : N.A Minimum Instruction Time : 0

Correct Marks : 5 Wrong Marks : 1

Question Key Details :

Key	Value
Comprehension	MCQ

નીચે આપેલા વિકલ્પોમાંથી સૌથી બંધબંસતો જવાબ પસંદ કરો.



- A. એક પેન્ટાગોનલ પ્રિઝમ HP પર તેના આધાર પર ટકેલ છે.
- B. પિરામીડની અક્ષ VP ને લંબ છે.
- C. પિરામીડની અક્ષ HP ને લંબ છે.
- D. એક પેન્ટાગોનલ પિરામીડ HP પર તેના શિખર પર ટકેલ છે.
- E. અક્ષની લંબાઈ 35 mm છે.

નીચે આપેલા વિકલ્પોમાંથી સાચો જવાબ પસંદ કરો.

- 1. માત્ર A અને B
- 2. માત્ર C અને D
- 3. માત્ર B અને E
- 4. માત્ર A અને C

Options :

- 485584138537. 1
- 485584138538. 2
- 485584138539. 3
- 485584138540. 4

Question Number : 131 Question Id : 48558434636 Question Type : MCQ Option Shuffling : No Is Question Mandatory : No Calculator : None Response Time : N.A Think Time : N.A Minimum Instruction Time : 0

Correct Marks : 5 Wrong Marks : 1

Question Key Details :

Key	Value
Comprehension	MCQ

Identify the **correct** statements for Isometric Projection of a Sphere:

- A. Its diameter is foreshortened.
- B. Its isometric projection appears as circle.
- C. Its isometric projection is drawn by taking an angle of 60° with the horizontal reference line.
- D. Its diameter is drawn using true scale.
- E. Its isometric projection appears as hemisphere.

Choose the **correct** answer from the options given below:

- 1. B and D only
- 2. B and C only
- 3. A and D only
- 4. A and E only

Options :

- 485584138541. 1
- 485584138542. 2
- 485584138543. 3
- 485584138544. 4

Question Number : 131 Question Id : 48558434636 Question Type : MCQ Option Shuffling : No Is Question Mandatory : No Calculator : None Response Time : N.A Think Time : N.A Minimum Instruction Time : 0

Correct Marks : 5 Wrong Marks : 1

Question Key Details :

Key	Value
Comprehension	MCQ

એક ગોળાના સમમિતિય પ્રક્ષેપ દોરતી વખતે સાચા વિધાનો ઓળખો.

- A. તેનો આકાર અગ્રસંક્ષોપિત છે.
- B. તેનો સમમિતિ પ્રક્ષેપ વર્તુળ જેવો હોય તેવું ઘેખાય છે.
- C. તેનો સમમિતિય પ્રક્ષેપ ક્ષિતિત આડું સાથે 60° ના ખૂણા ને લઈને દોરેલ છે.
- D. તેનો વ્યાસ વાસ્તવિક માપનો ઉપયોગ કરીને દોરેલ છે.
- E. તેનો સમમિતિય પ્રક્ષેપ અર્ધગોળ ગોળાર્ધ હોય તેવું ઘેખાય છે.

નીચે આપેલા વિકલ્પોમાંથી સાચો જવાબ પસંદ કરો.

- 1. માત્ર B અને D
- 2. માત્ર B અને C
- 3. માત્ર A અને D
- 4. માત્ર A અને E

Options :

- 485584138541. 1
- 485584138542. 2
- 485584138543. 3

Question Number : 132 Question Id : 48558434637 Question Type : MCQ Option Shuffling : No Is Question Mandatory : No Calculator : None Response Time : N.A Think Time : N.A Minimum Instruction Time : 0

Correct Marks : 5 Wrong Marks : 1

Question Key Details :

Key	Value
Comprehension	MCQ

Identify the **correct** statements for the Screw threads:

- A. A square thread of nominal diameter = 30 mm and Pitch = 6 mm is designated as K 30 × 6.
- B. Knuckle threads are used on necks of glass bottles.
- C. Square threads offers less frictional resistance.
- D. The angle between flanks of metric thread is 55°.
- E. The flanks of B.S.W. thread are equally rounded at both crest and root.

Choose the **correct** answer from the options given below:

- 1. A, B and C only
- 2. B, C and D only
- 3. C, D and E only
- 4. B, C and E only

Options :

- 485584138545. 1
- 485584138546. 2
- 485584138547. 3
- 485584138548. 4

Question Number : 132 Question Id : 48558434637 Question Type : MCQ Option Shuffling : No Is Question Mandatory : No Calculator : None Response Time : N.A Think Time : N.A Minimum Instruction Time : 0

Correct Marks : 5 Wrong Marks : 1

Question Key Details :

Key	Value
Comprehension	MCQ

સ્ક્રુ થ્રેડો માટે સાચા વિધાનો ઓળખો.

- A. નોમિનલ વ્યાસ = 30 mm અને પિચ = 6 mm ના એક ચોરસ થ્રેડ K 30 × 6 ના જેવું નિરૂપણ નિર્દેષ્ટ કરેલ છે.
- B. નકલ થ્રેડ કાય બોટલોની ગરદન (ડોક) પર ઉપયોગ કરવામાં આવે છે.
- C. ચોરસ થ્રેડ V થ્રેડની તુલનામાં ઓછું ઘર્ષણ અવરોધ પ્રદાન કરે છે.
- D. મેટ્રીક થ્રેડ ની ફલેકોની વચ્ચેની ખૂણો 55° છે.
- E. BSW થ્રેડની ફલેકો શિખર (crest) ચોટી અને મૂળ (root) જડ બંને પર સમાનરુપે ગોળ હોય છે.

નીચે આપેલા વિકલ્પોમાંથી સાચો જવાબ પસંદ કરો.

1. માત્ર A, B અને C
2. માત્ર B, C અને D
3. માત્ર C, D અને E
4. માત્ર B, C અને E

Options :

- 485584138545. 1
- 485584138546. 2
- 485584138547. 3
- 485584138548. 4

Question Number : 133 Question Id : 48558434638 Question Type : MCQ Option Shuffling : No Is Question Mandatory : No Calculator : None Response Time : N.A Think Time : N.A Minimum Instruction Time : 0

Correct Marks : 5 Wrong Marks : 1

Question Key Details :

Key	Value
Comprehension	MCQ

Identify the **correct** statements for Stud:

- A. Stud is a permanent fastener.
- B. A stud is a cylindrical rod, having threads on both ends.
- C. It has internal thread.
- D. It is always used with cotter.
- E. It is used where there is no place for the bolt head.

Choose the **correct** answer from the options given below:

1. A and E only
2. B and E only
3. D and E only
4. B and D only

Options :

- 485584138549. 1
- 485584138550. 2
- 485584138551. 3

485584138552. 4

Question Number : 133 Question Id : 48558434638 Question Type : MCQ Option Shuffling : No Is Question Mandatory : No Calculator : None Response Time : N.A Think Time : N.A Minimum Instruction Time : 0

Correct Marks : 5 Wrong Marks : 1

Question Key Details :

Key	Value
Comprehension	MCQ

સ્ટડ ને અનુલક્ષીને કેટલીક હકીકત આપેલી છે. સાચુવિધાન પસંદ કરો.

- A. સ્ટડ એ કાયમી ફાસ્ટનર છે.
- B. સ્ટડ એ નળાકાર સર્વીયો છે જેના બંને છેડે શ્રેડ હોય છે.
- C. તેને આંતરિક શ્રેડ હોય છે.
- D. તે હંમેશા કોટર સાથે વપરાય છે.
- E. તે વપરય છે કે જ્યાં બોલ્ટ વાપરી ન શકાય

નીચે આપેલા વિકલ્પોમાંથી સાચો જવાબ પસંદ કરો.

- 1. માત્ર A અને E
- 2. માત્ર B અને E
- 3. માત્ર D અને E
- 4. માત્ર B અને D

Options :

485584138549. 1

485584138550. 2

485584138551. 3

485584138552. 4

Question Number : 134 Question Id : 48558434639 Question Type : MCQ Option Shuffling : No Is Question Mandatory : No Calculator : None Response Time : N.A Think Time : N.A Minimum Instruction Time : 0

Correct Marks : 5 Wrong Marks : 1

Question Key Details :

Key	Value
Comprehension	MCQ

Identify the **correct** statements for a Gib and Cotter joint:

- A. The Gib has the same thickness as that of the Cotter.
- B. Two cotters are used in this joint.
- C. Cotter is made of plastic.
- D. Cotter is used in conjunction with Gib.
- E. Rods are of circular shape in this joint.

Choose the **correct** answer from the options given below:

- 1. A and B only
- 2. A and C only
- 3. A and D only
- 4. D and E only

Options :

- 485584138553. 1
- 485584138554. 2
- 485584138555. 3
- 485584138556. 4

Question Number : 134 Question Id : 48558434639 Question Type : MCQ Option Shuffling : No Is Question Mandatory : No Calculator : None Response Time : N.A Think Time : N.A Minimum Instruction Time : 0

Correct Marks : 5 Wrong Marks : 1

Question Key Details :

Key	Value
Comprehension	MCQ

ગીબ અને કોટર જોઈન્ટ માટે સાચા વિધાન ઓળખો

- A. ગીબની જાડાઈ કોટર જેટલી જ હોય છે.
- B. બે કોટર વપરાય
- C. કોટર પ્લાસ્ટીક ના બનેલ હોય છે.
- D. કોટર એગીબ સાથે જોડાણ માં વપરાય છે.
- E. રોડ એ ગોળાકાર આકારના હોય

નીચે આપેલા વિકલ્પોમાંથી સાચો જવાબ પસંદ કરો.

- 1. માત્ર A અને B
- 2. માત્ર A અને C
- 3. માત્ર A અને D
- 4. માત્ર D અને E

Options :

- 485584138553. 1
- 485584138554. 2
- 485584138555. 3

Question Number : 135 Question Id : 48558434640 Question Type : MCQ Option Shuffling : No Is Question Mandatory : No Calculator : None Response Time : N.A Think Time : N.A Minimum Instruction Time : 0

Correct Marks : 5 Wrong Marks : 1

Question Key Details :

Key	Value
Comprehension	MCQ

Match List I with List II

LIST I		LIST II	
A.	Isometric projection	I.	Angle between two principal planes is 90° .
B.	Dimetric projection	II.	All the angles between principal axes are unequal and not less than 90° .
C.	Trimetric projection	III.	All the angles between principal axes are equal.
D.	Orthographic projection	IV.	Only two angles between three principal axes are equal.

Choose the **correct** answer from the options given below:

1. A-III, B-IV, C-II, D-I
2. A-I, B-II, C-III, D-IV
3. A-II, B-III, C-IV, D-I
4. A-IV, B-II, C-III, D-I

Options :

485584138557. 1
 485584138558. 2
 485584138559. 3
 485584138560. 4

Question Number : 135 Question Id : 48558434640 Question Type : MCQ Option Shuffling : No Is Question Mandatory : No Calculator : None Response Time : N.A Think Time : N.A Minimum Instruction Time : 0

Correct Marks : 5 Wrong Marks : 1

Question Key Details :

Key	Value
Comprehension	MCQ

સૂચિ I ને સૂચિ II સાથે જોડો.

સૂચિ I		સૂચિ II	
A.	Isometric projection	I.	બે પ્રોજેક્શન સમતલના 90° ની ખૂણો
B.	Dimetric projection	II.	બધા ત્રણેય ખૂણા અસમાન અને 90° થી દોરવા નહિ
C.	Trimetric projection	III.	પ્રોજેક્શન અક્ષ વચ્ચેના બધા ખૂણા સમાન
D.	Orthographic projection	IV.	ત્રણ પ્રોજેક્શન ખૂણા પેકી માગ બે સરખા

નીચે આપેલા વિકલ્પોમાંથી સાચો જવાબ પસંદ કરો.

1. A-III, B-IV, C-II, D-I
2. A-I, B-II, C-III, D-IV
3. A-II, B-III, C-IV, D-I
4. A-IV, B-II, C-III, D-I

Options :

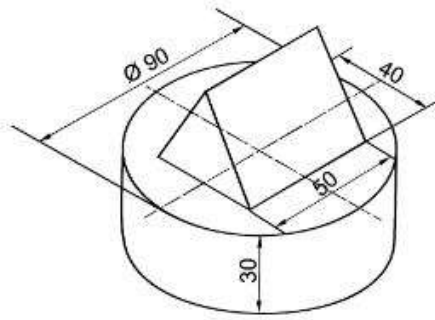
485584138557. 1
485584138558. 2
485584138559. 3
485584138560. 4

Question Number : 136 Question Id : 48558434641 Question Type : MCQ Option Shuffling : No Is Question Mandatory : No Calculator : None Response Time : N.A Think Time : N.A Minimum Instruction Time : 0

Correct Marks : 5 Wrong Marks : 1

Question Key Details :

Key	Value
Comprehension	MCQ



Match List I with List II on the basis of the given figure.

LIST I		LIST II	
A.	Bottom Solid.	I.	Vertical
B.	Top solid.	II.	Horizontal
C.	Axis of top solid.	III.	Equilateral Triangular Prism
D.	Axis of bottom solid.	IV.	Circular slab

Choose the **correct** answer from the options given below:

1. A-III, B-II, C-I, D-IV
2. A-III, B-II, C-IV, D-I
3. A-I, B-II, C-III, D-IV
4. A-IV, B-III, C-II, D-I

Options :

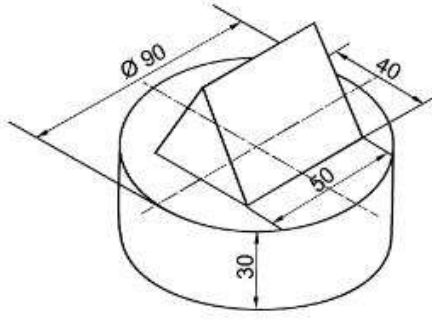
485584138561. 1
 485584138562. 2
 485584138563. 3
 485584138564. 4

Question Number : 136 Question Id : 48558434641 Question Type : MCQ Option Shuffling : No Is Question Mandatory : No Calculator : None Response Time : N.A Think Time : N.A Minimum Instruction Time : 0

Correct Marks : 5 Wrong Marks : 1

Question Key Details :

Key	Value
Comprehension	MCQ



સૂચિ I ને સૂચિ II ને આકૃતિ સંદર્ભો જોડો.

સૂચિ I Isometric projection combination of given below		LIST II	
A.	સખત તલ	I.	આડુ
B.	સખત ટોપ	II.	ઊભુ
C.	સમળાર્થ ત્રિકોણ ત્રિજ્યા	III.	સમાન પાર્શ્વવાળા ત્રિકોણીય પ્રીઝમ
D.	વતુળ આકારનો	IV.	વતુળાકાર સોલ

નીચે આપેલા વિકલ્પોમાંથી સાચો જવાબ પસંદ કરો.

1. A-III, B-II, C-I, D-IV
2. A-II, B-II, C-IV, D-I
3. A-I, B-II, C-III, D-IV
4. A-IV, B-III, C-II, D-I

Options :

485584138561. 1
485584138562. 2
485584138563. 3
485584138564. 4

Question Number : 137 Question Id : 48558434642 Question Type : MCQ Option Shuffling : No Is Question Mandatory : No Calculator : None Response Time : N.A Think Time : N.A Minimum Instruction Time : 0

Correct Marks : 5 Wrong Marks : 1

Question Key Details :

Key	Value
Comprehension	MCQ

Match List I with List II

LIST I Hexagonal headed bolt		LIST II (‘d’ is the nominal diameter)	
A.	Thickness of Head	I.	d
B.	Threaded length of shank	II.	0.8d
C.	Radius of arc showing conventional end of the shank in its front view	III.	2d +6
D.	Width across the flats of head	IV.	1.5d+3

Choose the **correct** answer from the options given below:

1. A-II, B-III, C-I, D-IV
2. A-I, B-II, C-III, D-IV
3. A-III, B-IV, C-II, D-I
4. A-IV, B-I, C-II, D-III

Options :

485584138565. 1
485584138566. 2
485584138567. 3
485584138568. 4

Question Number : 137 Question Id : 48558434642 Question Type : MCQ Option Shuffling : No Is Question Mandatory : No Calculator : None Response Time : N.A Think Time : N.A Minimum Instruction Time : 0

Correct Marks : 5 Wrong Marks : 1

Question Key Details :

Key	Value
Comprehension	MCQ

સૂચિ I ને સૂચિ II સાથે જોડો.

સૂચિ I 'd' is the nominal diameter of Hexagonal headed bolt		સૂચિ II	
A.	હેડ ની જાડાઈ	I.	d
B.	શેન્ક ની થ્રેડ લંબાઈ	II.	0.8d
C.	આર્ક ની ત્રીજા નીચમીત છેડા દર્શાવો.	III.	2d +6
D.	હેડના બે સમાંતર સપાટી વચ્ચેની સાઈઝ	IV.	1.5d+3

નીચે આપેલા વિકલ્પોમાંથી સાચો જવાબ પસંદ કરો.

1. A-II, B-III, C-I, D-IV
2. A-I, B-II, C-III, D-IV
3. A-III, B-IV, C-II, D-I
4. A-IV, B-I, C-II, D-III

Options :

- 485584138565. 1
- 485584138566. 2
- 485584138567. 3
- 485584138568. 4

Question Number : 138 Question Id : 48558434643 Question Type : MCQ Option Shuffling : No Is Question Mandatory : No Calculator : None Response Time : N.A Think Time : N.A Minimum Instruction Time : 0

Correct Marks : 5 Wrong Marks : 1

Question Key Details :

Key	Value
Comprehension	MCQ

Match List I with List II

LIST I		LIST II	
A.	B.S.W. Thread	I.	Semicircles on opposite side
B.	Metric External Thread	II.	Both crest and root are flat
C.	Square Thread	III.	Rounded equally at root and crest
D.	Knuckle Thread	IV.	Crest flat and root rounded

Choose the **correct** answer from the options given below:

- 1. A-I, B-II, C-III, D-IV
- 2. A-IV, B-III, C-I, D-II
- 3. A-III, B-IV, C-II, D-I
- 4. A-II, B-III, C-I, D-IV

Options :

- 485584138569. 1
- 485584138570. 2
- 485584138571. 3
- 485584138572. 4

Question Number : 138 Question Id : 48558434643 Question Type : MCQ Option Shuffling : No Is Question Mandatory : No Calculator : None Response Time : N.A Think Time : N.A Minimum Instruction Time : 0

Correct Marks : 5 Wrong Marks : 1

Question Key Details :

Key	Value
Comprehension	MCQ

સૂચિ I ને સૂચિ II સાથે જોડો.

સૂચિ I		સૂચિ II	
A.	B.S.W થ્રેડ	I.	વિરુદ્ધદિશાના અર્ધવર્તુળ
B.	મેટ્રીક એક્સટર્નલ થ્રેડ	II.	બંને કેસ્ટ અને રૂટ અપટા
C.	યોરસ થ્રેડ	III.	રૂટ અને કેસ્ટ બંને સરખાગોળ
D.	ક્રનકલ થ્રેડ	IV.	કેસ્ટ ચપટો બને રૂટ ગોળ

નીચે આપેલા વિકલ્પોમાંથી સાચો જવાબ પસંદ કરો.

1. A-I, B-II, C-III, D-IV

2. A-IV, B-III, C-I, D-II

3. A-III, B-IV, C-II, D-I

4. A-II, B-III, C-I, D-IV

Options :

485584138569. 1

485584138570. 2

485584138571. 3

485584138572. 4

Question Number : 139 Question Id : 48558434644 Question Type : MCQ Option Shuffling : No Is Question Mandatory :

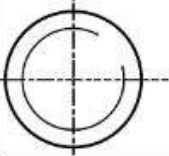

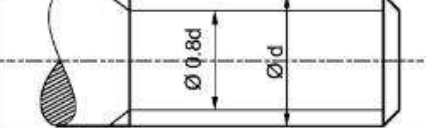
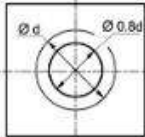
No Calculator : None Response Time : N.A Think Time : N.A Minimum Instruction Time : 0

Correct Marks : 5 Wrong Marks : 1

Question Key Details :

Key	Value
Comprehension	MCQ

Match List I with List II

LIST I (Conventional representation of V- thread)		LIST II (Orthographic View)	
A.	External V-thread in the front view	I.	
B.	Internal V-thread in the side view	II.	
C.	External V-thread in the side view	III.	
D.	Internal V-thread in the front view	IV.	

Choose the **correct** answer from the options given below:

1. A-I, B-III, C-II, D-IV
2. A-III, B-IV, C-I, D-II
3. A-II, B-I, C-IV, D-III
4. A-IV, B-II, C-III, D-I

Options :

485584138573. 1
 485584138574. 2
 485584138575. 3
 485584138576. 4

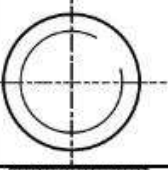

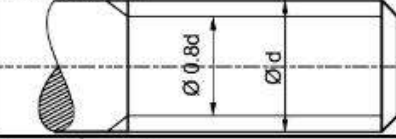
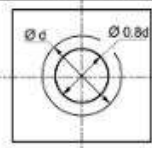
Question Number : 139 Question Id : 48558434644 Question Type : MCQ Option Shuffling : No Is Question Mandatory : No Calculator : None Response Time : N.A Think Time : N.A Minimum Instruction Time : 0

Correct Marks : 5 Wrong Marks : 1

Question Key Details :

Key	Value
Comprehension	MCQ

સૂચિ I ને સૂચિ II સાથે જોડો.

સૂચિ I Conventional representation of V- thread		સૂચિ II (FIGURES)	
A.	Conventional representation of external V-thread in the front view	I.	
B.	Internal V-thread is the side view	II.	
C.	External V-thread in the side view	III.	
D.	Internal V-thread in the front view	IV.	

નીચે આપેલા વિકલ્પોમાંથી સાચો જવાબ પસંદ કરો.

1. A-I, B-III, C-II, D-IV
2. A-III, B-IV, C-I, D-II
3. A-II, B-I, C-IV, D-III
4. A-IV, B-II, C-III, D-I

Options :

485584138573. 1
485584138574. 2
485584138575. 3
485584138576. 4

Question Number : 140 Question Id : 48558434645 Question Type : MCQ Option Shuffling : No Is Question Mandatory : No Calculator : None Response Time : N.A Think Time : N.A Minimum Instruction Time : 0

Correct Marks : 5 Wrong Marks : 1

Question Key Details :

Key	Value
Comprehension	MCQ

Match List I with List II

LIST I		LIST II	
A.	Turnbuckle Joint	I.	Journal Bearing
B.	Flange Joint	II.	Square Rod Joint
C.	Bush Bearing	III.	Pipe Joint
D.	Gib and Cotter Joint	IV.	Tie-rod Joint

Choose the **correct** answer from the options given below:

1. A-IV, B-III, C-I, D-II
2. A-I, B-II, C-III, D-IV
3. A-II, B-III, C-IV, D-I
4. A-III, B-II, C-IV, D-I

Options :

485584138577. 1
485584138578. 2
485584138579. 3
485584138580. 4

Question Number : 140 Question Id : 48558434645 Question Type : MCQ Option Shuffling : No Is Question Mandatory : No Calculator : None Response Time : N.A Think Time : N.A Minimum Instruction Time : 0

Correct Marks : 5 Wrong Marks : 1

Question Key Details :

Key	Value
Comprehension	MCQ

સૂચિ I ને સૂચિ II સાથે જોડો.

સૂચિ I		સૂચિ II	
A.	ટૂંક બલક જોઈન્ટ	I.	જરનલ બેરિંગ
B.	ફ્લેન્ડ જોઈન્ટ	II.	સ્કવેર રોડ જોઈન્ટ
C.	બુશ બેરિંગ	III.	પાઇપ જોઈન્ટ
D.	ગીબ અને કોટર જોઈન્ટ	IV.	ટાઈ-રોડ જોઈન્ટ

નીચે આપેલા વિકલ્પોમાંથી સાચો જવાબ પસંદ કરો.

1. A-IV, B-III, C-I, D-II
2. A-I, B-II, C-III, D-IV
3. A-II, B-III, C-IV, D-I
4. A-III, B-II, C-IV, D-I

Options :

485584138577. 1
485584138578. 2
485584138579. 3
485584138580. 4

Sub-Section Number : 2
Sub-Section Id : 4855842534
Question Shuffling Allowed : No
Is Section Default? : null

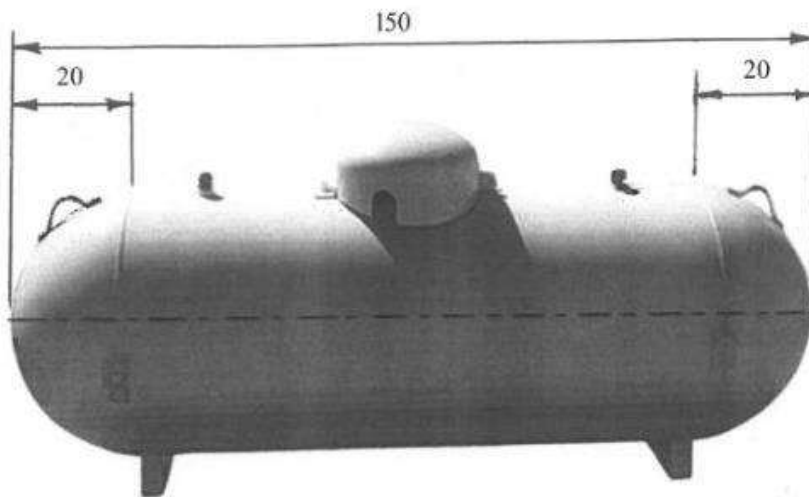
Question Number : 141 Question Id : 48558434646 Question Type : MCQ Option Shuffling : No Is Question Mandatory : No Calculator : None Response Time : N.A Think Time : N.A Minimum Instruction Time : 0

Correct Marks : 5 Wrong Marks : 1

Question Key Details :

Key	Value
Comprehension	Comp1

Read the passage and answer the following question.



Rohan during his industrial visit saw a storage tank which is a combination of different solids he had studied in his class. For preparing his industrial visit report, he clicked pictures and measured dimensions of the tank and other machine parts in the industry. One such picture from his report is shown here (dimensions given are in meters). Ignore the thickness, stands, opening and other branches of the tank and answer the following questions.

The storage tank is the combination of _____.

1. two spheres and one cylinder
2. two hemispheres and one cylinder
3. one hemisphere and one cylinder
4. two cones and one cylinder

Options :

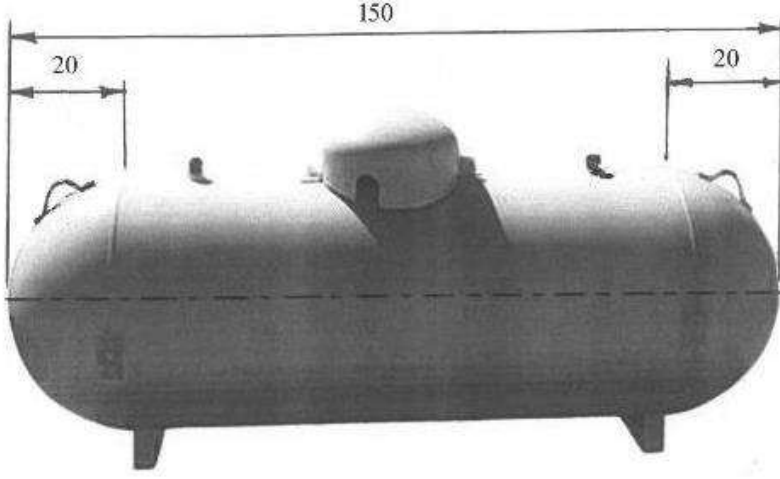
485584138581. 1
485584138582. 2
485584138583. 3
485584138584. 4

Question Number : 141 Question Id : 48558434646 Question Type : MCQ Option Shuffling : No Is Question Mandatory : No Calculator : None Response Time : N.A Think Time : N.A Minimum Instruction Time : 0

Correct Marks : 5 Wrong Marks : 1

Question Key Details :

Key	Value
Comprehension	Comp1



રોહને પોતાની ઇન્ડસ્ટ્રીયલ વીઝીટ દરમ્યાન વર્ગઅંક ભણેલા બે જુદા જુદા solid વડે બનેલી સ્ટોરેજ ટેન્ક પોતાના વીનીટનો રીપોર્ટ બનાવવા તેણે હોટા સઈને માળણી કરી જેમા કે જે વીઝર દરમ્યાન જોયેલી ટાંકી અને બીજા મશીન પાર્ટ હતા એક ચીત્ર અહિ બનાવેલ (જેનું ડાયમેન્શન મીટર માં છે) જાડાઈને સ્ટેન્ડ, અક્ષપનીગ અને બીજી શાળા ને અવગણી નીચેનો જળ આપો.

સ્ટોરેજ ટેન્ક એ _____ ના જોડાણ થી બનેલું છે.

1. બે ગોળાકો અને એક સીલીન્ડર
2. બે ગોળાર્થ અને એક સીલીન્ડર
3. એક ગોળાર્થ અને એક સીલીન્ડર
4. બે કોન (શકું) અને એક સીલીન્ડર

Options :

485584138581. 1
485584138582. 2
485584138583. 3
485584138584. 4

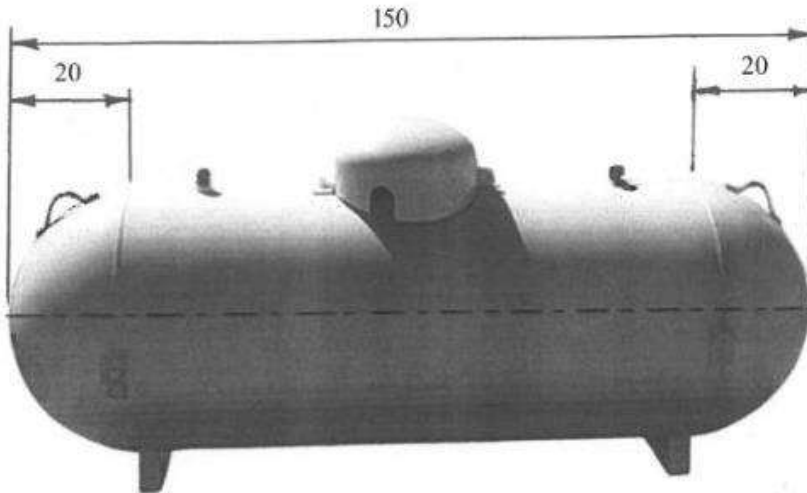
Question Number : 142 Question Id : 48558434647 Question Type : MCQ Option Shuffling : No Is Question Mandatory : No Calculator : None Response Time : N.A Think Time : N.A Minimum Instruction Time : 0

Correct Marks : 5 Wrong Marks : 1

Question Key Details :

Key	Value
Comprehension	Comp1

Read the passage and answer the following question.



Rohan during his industrial visit saw a storage tank which is a combination of different solids he had studied in his class. For preparing his industrial visit report, he clicked pictures and measured dimensions of the tank and other machine parts in the industry. One such picture from his report is shown here (dimensions given are in meters). Ignore the thickness, stands, opening and other branches of the tank and answer the following questions.

The axial length of the cylindrical central portion in its isometric projection will be reduced to _____ (approximately).

1. 88 meter
2. 110 meter
3. 55 meter
4. 44 meter

Options :

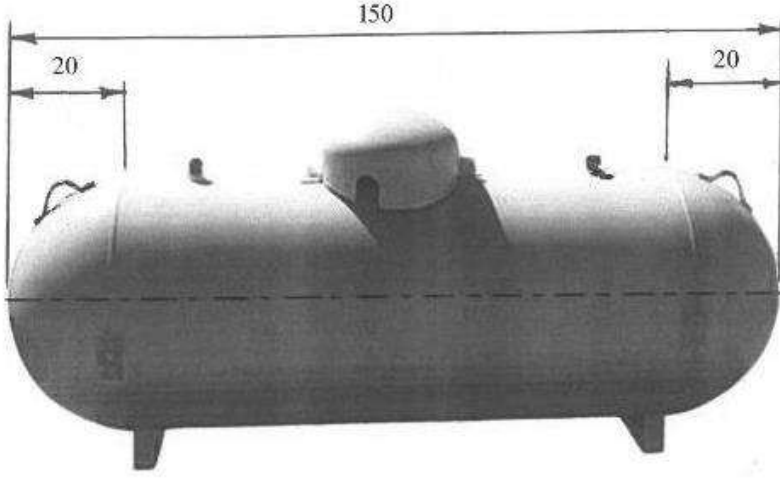
- 485584138585. 1
- 485584138586. 2
- 485584138587. 3
- 485584138588. 4

Question Number : 142 Question Id : 48558434647 Question Type : MCQ Option Shuffling : No Is Question Mandatory : No Calculator : None Response Time : N.A Think Time : N.A Minimum Instruction Time : 0

Correct Marks : 5 Wrong Marks : 1

Question Key Details :

Key	Value
Comprehension	Comp1



રોહને પોતાની ઇન્ડસ્ટ્રીયલ વીઝીટ દરમ્યાન વર્ગઅંક ભણેલા બે જુદા જુદા Solid વડે બનેલી સ્ટોરેજ ટેન્ક પોતાના વીનીટનો રીપોર્ટ બનાવવા તેણે હોટા સઈને માળણી કરી જેમા કે જે વીઝર દરમ્યાન જોયેલી ટાંકી અને બીજા મશીન પાર્ટ હતા એક ચીત્ર અહિ બનાવેલ (જેનું ડાયમેન્શન મીટર માં છે) જાડાઈને સ્ટેન્ડ, અક્ષપનીગ અને બીજી શાળા ને અવગણી નીચેનો જળ આપો.

સીલીન્ડ્રીકલ સેન્ટ્રલ ભાગની અક્ષીય લંબાઈ તેના આઈસો મેટ્રીક પ્રોજેક્શન માં _____ (અંદાજ) રીડ્યુસ્ક થાય

1. 88 meters
2. 110 meters
3. 55 meters
4. 44 meters

Options :

485584138585. 1
 485584138586. 2
 485584138587. 3
 485584138588. 4

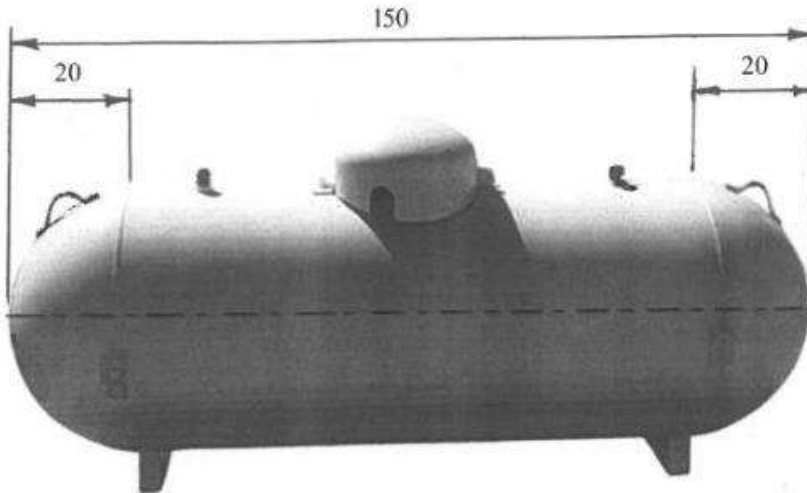
Question Number : 143 Question Id : 48558434648 Question Type : MCQ Option Shuffling : No Is Question Mandatory : No Calculator : None Response Time : N.A Think Time : N.A Minimum Instruction Time : 0

Correct Marks : 5 Wrong Marks : 1

Question Key Details :

Key	Value
Comprehension	Comp1

Read the passage and answer the following question.



Rohan during his industrial visit saw a storage tank which is a combination of different solids he had studied in his class. For preparing his industrial visit report, he clicked pictures and measured dimensions of the tank and other machine parts in the industry. One such picture from his report is shown here (dimensions given are in meters). Ignore the thickness, stands, opening and other branches of the tank and answer the following questions.

In the side view of the tank, the diameter of the circle is _____.

1. 20 meter
2. 75 meter
3. 40 meter
4. 55 meter

Options :

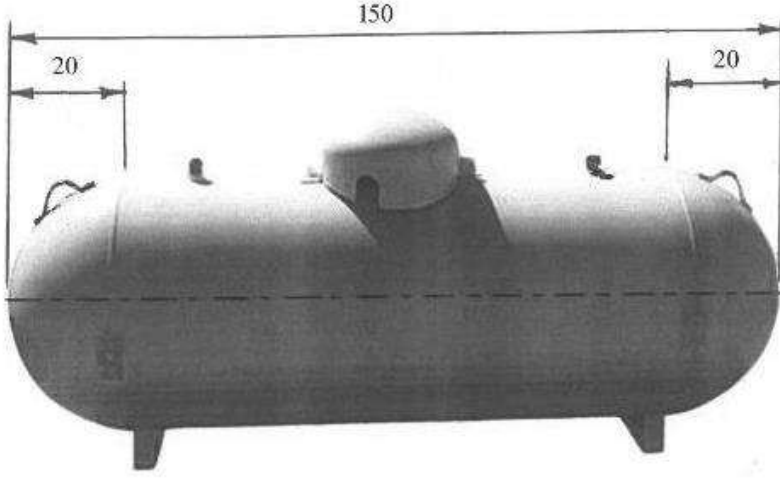
- 485584138589. 1
- 485584138590. 2
- 485584138591. 3
- 485584138592. 4

Question Number : 143 Question Id : 48558434648 Question Type : MCQ Option Shuffling : No Is Question Mandatory : No Calculator : None Response Time : N.A Think Time : N.A Minimum Instruction Time : 0

Correct Marks : 5 Wrong Marks : 1

Question Key Details :

Key	Value
Comprehension	Comp1



રોહને પોતાની ઇન્ડસ્ટ્રીયલ વીઝીટ દરમ્યાન વર્ગઅંક ભણેલા બે જુદા જુદા Solid વડે બનેલી સ્ટોરેજ ટેન્ક પોતાના વીનીટનો રીપોર્ટ બનાવવા તેણે હોટા સઈને માળણી કરી જેમા કે જે વીઝર દરમ્યાન જોયેલી ટાંકી અને બીજા મશીન પાર્ટ હતા એક ચીત્ર અહિ બનાવેલ (જેનું ડાયમેન્શન મીટર માં છે) જાડાઈને સ્ટેન્ડ, અક્ષપનીંગ અને બીજી શાળા ને અવગણી નીચેનો જળ આપો.

ટેન્ક ના સાઈટવ્યુ માં તેનો ડાયામીટર આ છે.

1. 20 meters
2. 75 meters
3. 40 meters
4. 55 meters

Options :

485584138589. 1
 485584138590. 2
 485584138591. 3
 485584138592. 4

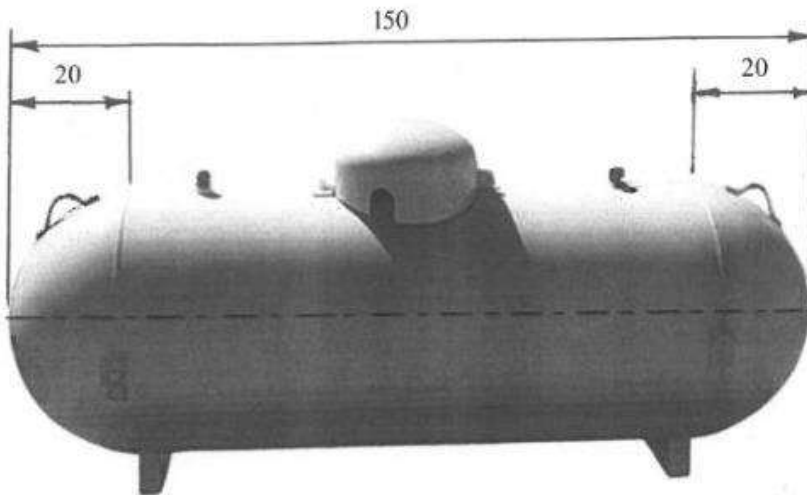
Question Number : 144 Question Id : 48558434649 Question Type : MCQ Option Shuffling : No Is Question Mandatory : No Calculator : None Response Time : N.A Think Time : N.A Minimum Instruction Time : 0

Correct Marks : 5 Wrong Marks : 1

Question Key Details :

Key	Value
Comprehension	Comp1

Read the passage and answer the following question.



Rohan during his industrial visit saw a storage tank which is a combination of different solids he had studied in his class. For preparing his industrial visit report, he clicked pictures and measured dimensions of the tank and other machine parts in the industry. One such picture from his report is shown here (dimensions given are in meters). Ignore the thickness, stands, opening and other branches of the tank and answer the following questions.

According to the shown picture, choose a statement regarding the axis of the tank, which is **not possible** at all.

1. it is parallel to V.P.
2. it is parallel to H.P.
3. it is perpendicular to V.P.
4. it is perpendicular to H.P.

Options :

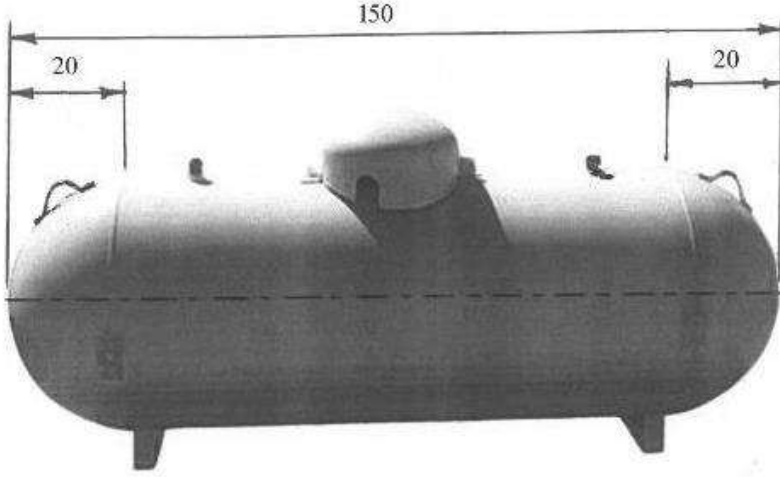
- 485584138593. 1
- 485584138594. 2
- 485584138595. 3
- 485584138596. 4

Question Number : 144 Question Id : 48558434649 Question Type : MCQ Option Shuffling : No Is Question Mandatory : No Calculator : None Response Time : N.A Think Time : N.A Minimum Instruction Time : 0

Correct Marks : 5 Wrong Marks : 1

Question Key Details :

Key	Value
Comprehension	Comp1



રોહને પોતાની ઇન્ડસ્ટ્રીયલ વીઝીટ દરમ્યાન વર્ગઅંક ભણેલા બે જુદા જુદા Solid વડે બનેલી સ્ટોરેજ ટેન્ક પોતાના વીનીટનો રીપોર્ટ બનાવવા તેણે હોટા સઈને માળણી કરી જેમા કે જે વીઝર દરમ્યાન જોયેલી ટાંકી અને બીજા મશીન પાર્ટ હતા એક ચીત્ર અહિ બનાવેલ (જેનું ડાયમેન્શન મીટર માં છે) જાડાઈને સ્ટેન્ડ, અક્ષપનીંગ અને બીજી શાળા ને અવગણી નીચેનો જળ આપો.

ચીત્ર દર્શાવેલ મુજબ કયુ વિધાન કે જે ટેંકના અક્ષ માટે શક્ય નથી

1. તે V.P ને સમાંતરે
2. તે H.P ને સમાંતરે
3. તે V.P ને લંબ અક્ષે
4. તે H.P ને લંબ અક્ષે

Options :

485584138593. 1
 485584138594. 2
 485584138595. 3
 485584138596. 4

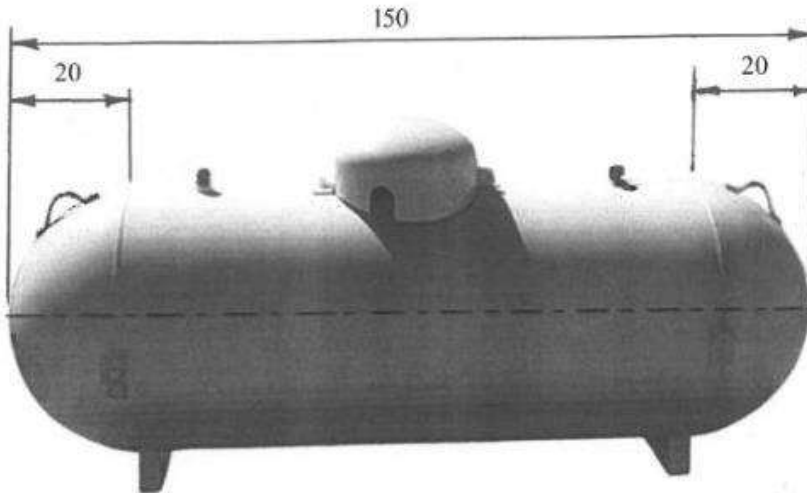
Question Number : 145 Question Id : 48558434650 Question Type : MCQ Option Shuffling : No Is Question Mandatory : No Calculator : None Response Time : N.A Think Time : N.A Minimum Instruction Time : 0

Correct Marks : 5 Wrong Marks : 1

Question Key Details :

Key	Value
Comprehension	Comp1

Read the passage and answer the following question.



Rohan during his industrial visit saw a storage tank which is a combination of different solids he had studied in his class. For preparing his industrial visit report, he clicked pictures and measured dimensions of the tank and other machine parts in the industry. One such picture from his report is shown here (dimensions given are in meters). Ignore the thickness, stands, opening and other branches of the tank and answer the following questions.

The 2D figure required for drawing isometric projection of this tank is _____.

1. Ellipse
2. Pentagon
3. Hexagon
4. Triangle

Options :

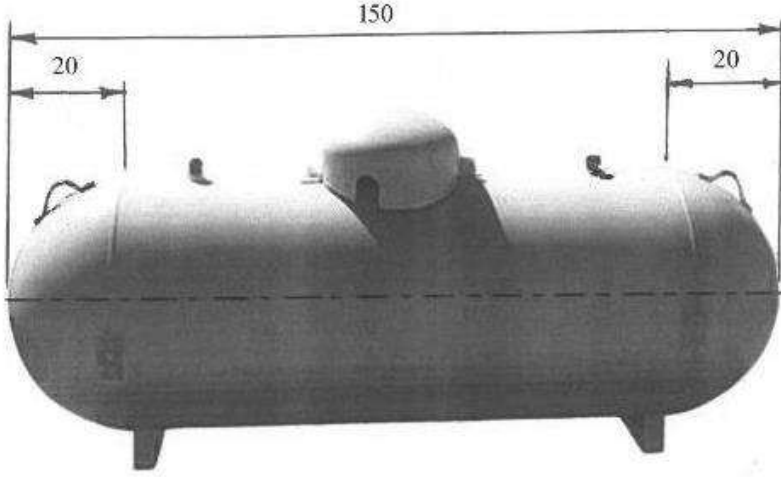
- 485584138597. 1
- 485584138598. 2
- 485584138599. 3
- 485584138600. 4

Question Number : 145 Question Id : 48558434650 Question Type : MCQ Option Shuffling : No Is Question Mandatory : No Calculator : None Response Time : N.A Think Time : N.A Minimum Instruction Time : 0

Correct Marks : 5 Wrong Marks : 1

Question Key Details :

Key	Value
Comprehension	Comp1



રોહને પોતાની ઇન્ડસ્ટ્રીયલ વીઝીટ દરમ્યાન વર્ગઅંક ભણેલા બે જુદા જુદા Solid વડે બનેલી સ્ટોરેજ ટેન્ક પોતાના વીનીટનો રીપોર્ટ બનાવવા તેણે હોટા સઈને માળણી કરી જેમા કે જે વીઝર દરમ્યાન જોયેલી ટાંકી અને બીજા મશીન પાર્ટ હતા એક ચીત્ર અહિ બનાવેલ (જેનું ડાયમેન્શન મીટર માં છે) જાડાઈને સ્ટેન્ડ, અક્ષિપનીંગ અને બીજી શાળા ને અવગણી નીચેનો જળ આપો.

ટેકના આઈસો મેટ્રીક પ્રોડેક્શન માટે 2D ચિત્ર જરૂરી છે તે

1. Ellipse
2. Pentagon
3. Hexagon
4. Triangle

Options :

485584138597. 1
 485584138598. 2
 485584138599. 3
 485584138600. 4

Sub-Section Number :

3

Sub-Section Id :

4855842535

Question Shuffling Allowed :

No

Is Section Default? :

null

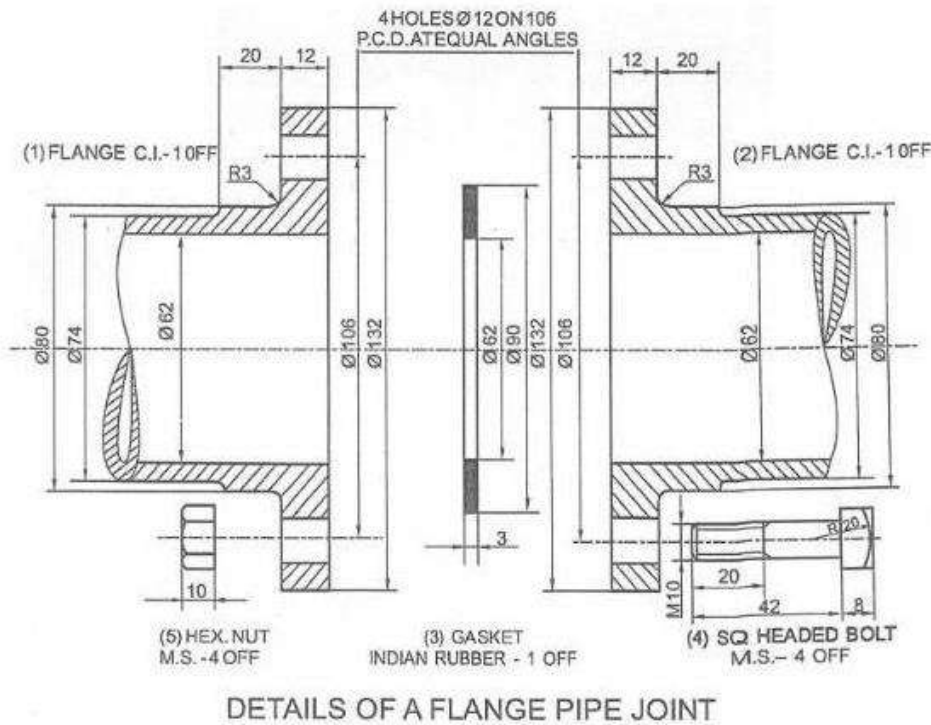
Question Number : 146 Question Id : 48558434651 Question Type : MCQ Option Shuffling : No Is Question Mandatory : No Calculator : None Response Time : N.A Think Time : N.A Minimum Instruction Time : 0

Correct Marks : 5 Wrong Marks : 1

Question Key Details :

Key	Value
Comprehension	Comp2

The given figure shows the disassembled part of a Flange Pipe Joint. Answer the following question based on this drawing:



_____ is the inner diameter of the Pipe from which liquid / gas has to flow.

1. 62 mm
2. 90 mm
3. 74 mm
4. 80 mm

Options :

- 485584138601. 1
- 485584138602. 2
- 485584138603. 3
- 485584138604. 4

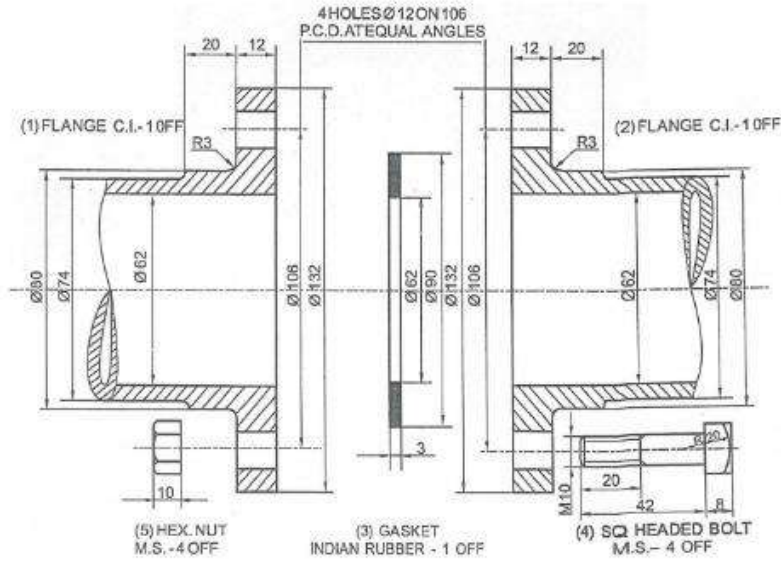
Question Number : 146 Question Id : 48558434651 Question Type : MCQ Option Shuffling : No Is Question Mandatory : No Calculator : None Response Time : N.A Think Time : N.A Minimum Instruction Time : 0

Correct Marks : 5 Wrong Marks : 1

Question Key Details :

Key	Value
Comprehension	Comp2

આપેલું ચિત્ર ઇલેન્જ પાઈમના છૂટા પાડેલા ભાગોનું છે. જેના આધારે નીચેના પ્રશ્નનો જવાબ આપો.



DETAILS OF A FLANGE PIPE JOINT

_____ mm is the inner diameter of the Pipe from which liquid / gas has to flow.

1. 62
2. 90
3. 74
4. 80

Options :

- 485584138601. 1
- 485584138602. 2
- 485584138603. 3
- 485584138604. 4

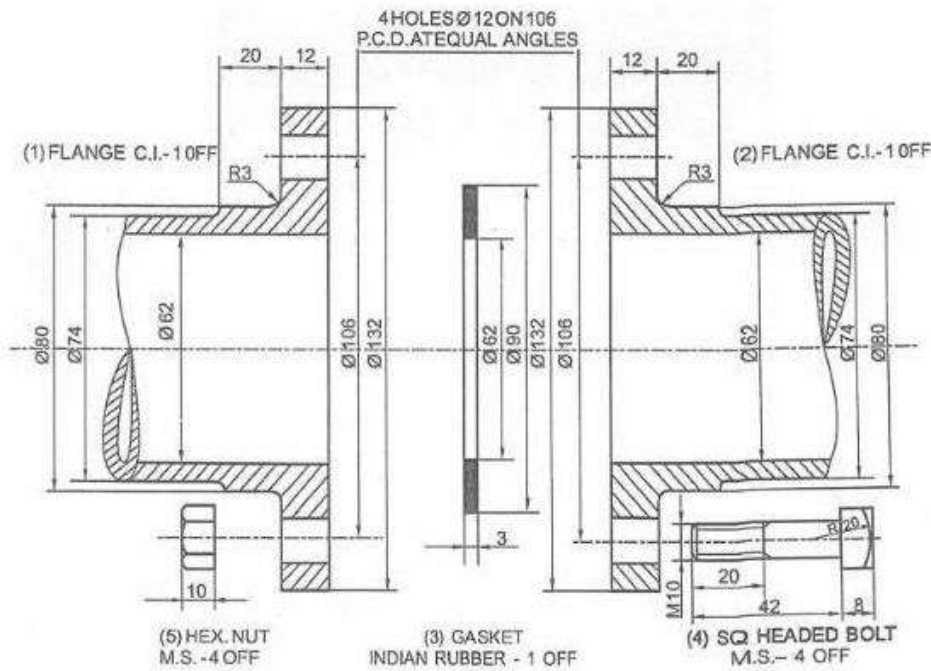
Question Number : 147 Question Id : 48558434652 Question Type : MCQ Option Shuffling : No Is Question Mandatory : No Calculator : None Response Time : N.A Think Time : N.A Minimum Instruction Time : 0

Correct Marks : 5 Wrong Marks : 1

Question Key Details :

Key	Value
Comprehension	Comp2

The given figure shows the disassembled part of a Flange Pipe Joint. Answer the following question based on this drawing:



DETAILS OF A FLANGE PIPE JOINT

Choose the **correct** statement for the Flange:

1. It is a projected semicircular rim.
2. It is made thinner than pipe-walls.
3. It attaches to a shaft.
4. It serves to hold the pipe in place.

Options :

- 485584138605. 1
- 485584138606. 2
- 485584138607. 3
- 485584138608. 4

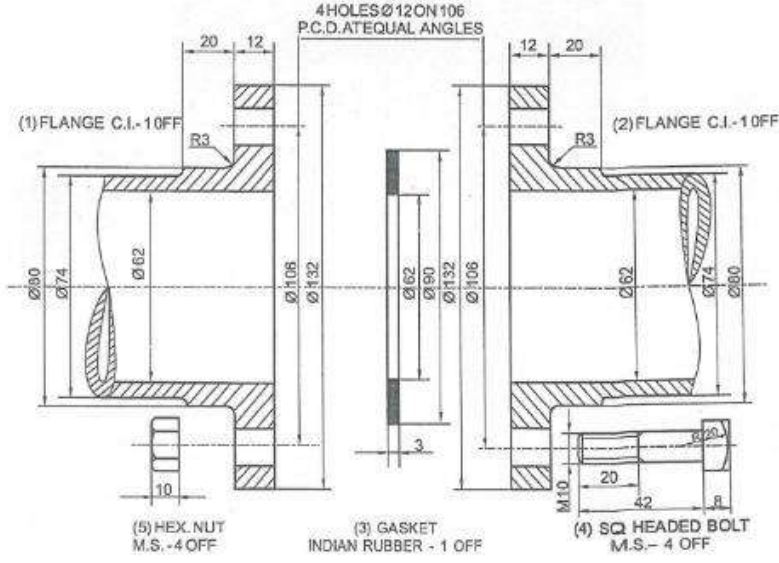
Question Number : 147 Question Id : 48558434652 Question Type : MCQ Option Shuffling : No Is Question Mandatory : No Calculator : None Response Time : N.A Think Time : N.A Minimum Instruction Time : 0

Correct Marks : 5 Wrong Marks : 1

Question Key Details :

Key	Value
Comprehension	Comp2

આપેલું ચિત્ર ઇલેન્જ પાઈમના છૂટા પાડેલા ભાગોનું છે. જેના આધારે નીચેના પ્રશ્નનો જવાબ આપો.



DETAILS OF A FLANGE PIPE JOINT

ઇલેન્જમાં યોગ્ય વિકલ્પ પસંદ કરો.

1. તે પ્રોજેક્ટેડ સેમીસક્યુલર રીમ છે
2. તે પાતળી પાઈપ દિવાલો થી બને છે
3. તે શાહટ સાથે જોડાયેલ છે
4. તે પાઈપને યોગ્ય સ્થાને જકડી રખવા વપરાય છે

Options :

- 485584138605. 1
- 485584138606. 2
- 485584138607. 3
- 485584138608. 4

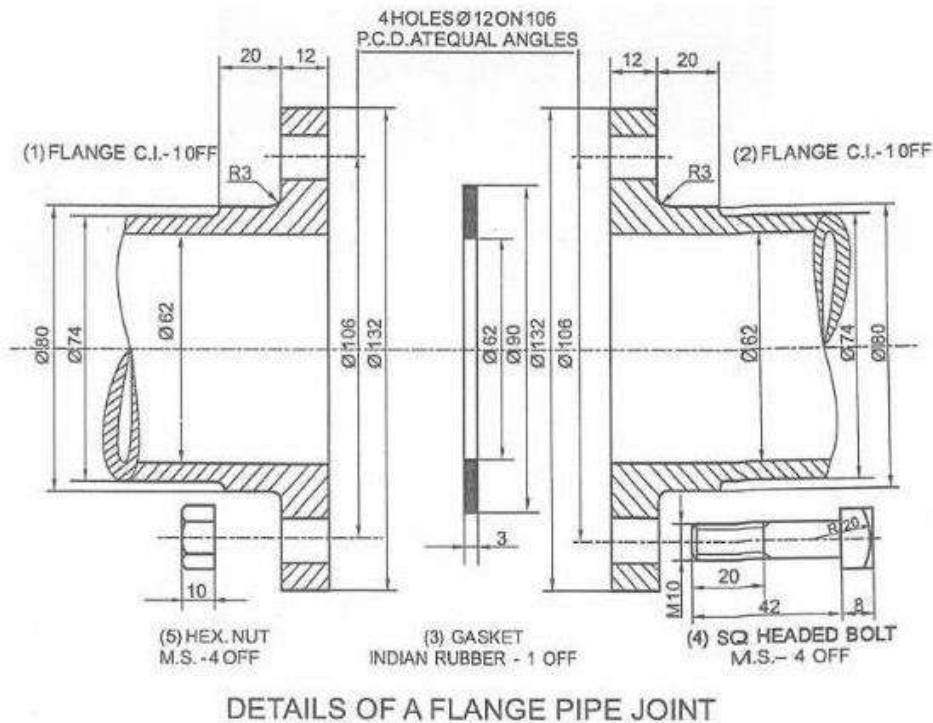
Question Number : 148 Question Id : 48558434653 Question Type : MCQ Option Shuffling : No Is Question Mandatory : No Calculator : None Response Time : N.A Think Time : N.A Minimum Instruction Time : 0

Correct Marks : 5 Wrong Marks : 1

Question Key Details :

Key	Value
Comprehension	Comp2

The given figure shows the disassembled part of a Flange Pipe Joint. Answer the following question based on this drawing:



External diameter of the rubber Gasket is:

1. 132 mm
2. 62 mm
3. 74 mm
4. 90 mm

Options :

- 485584138609. 1
- 485584138610. 2
- 485584138611. 3
- 485584138612. 4

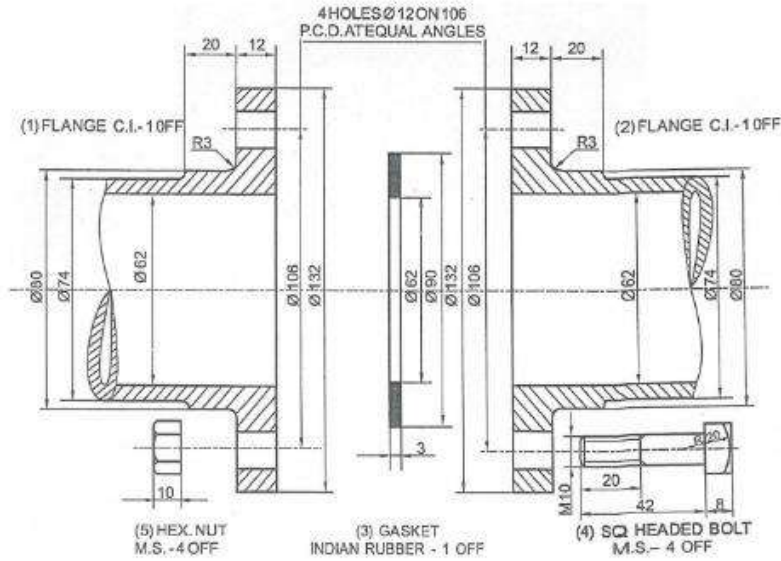
Question Number : 148 Question Id : 48558434653 Question Type : MCQ Option Shuffling : No Is Question Mandatory : No Calculator : None Response Time : N.A Think Time : N.A Minimum Instruction Time : 0

Correct Marks : 5 Wrong Marks : 1

Question Key Details :

Key	Value
Comprehension	Comp2

આપેલું ચિત્ર ઇલેન્જ પાઈમના છૂટા પાડેલા ભાગોનું છે. જેના આધારે નીચેના પ્રશ્નનો જવાબ આપો.



DETAILS OF A FLANGE PIPE JOINT

External diameter of the rubber Gasket is.

1. 132 mm
2. 62 mm
3. 74 mm
4. 90 mm

Options :

485584138609. 1
 485584138610. 2
 485584138611. 3
 485584138612. 4

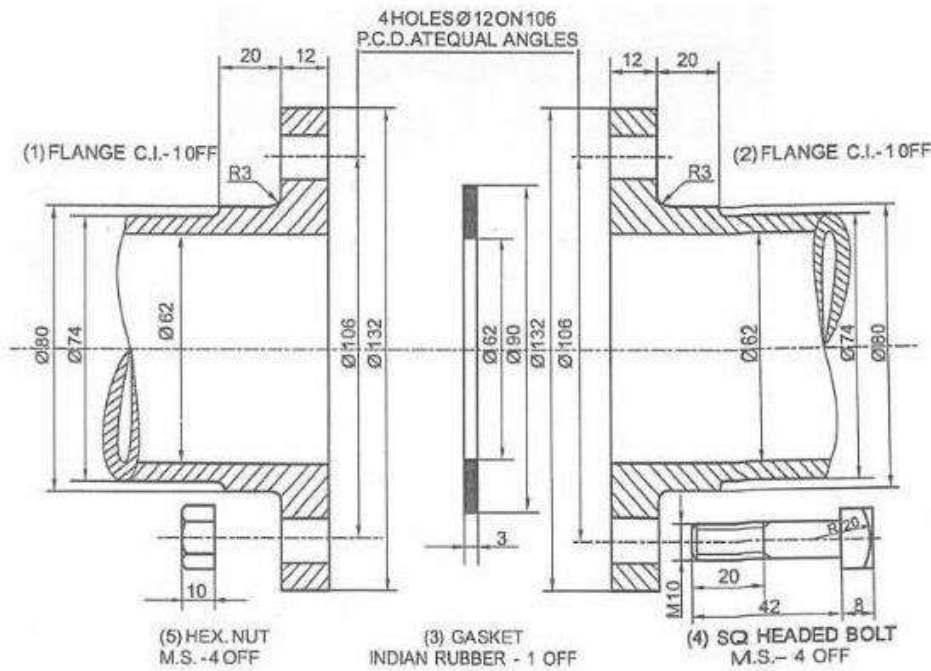
Question Number : 149 Question Id : 48558434654 Question Type : MCQ Option Shuffling : No Is Question Mandatory : No Calculator : None Response Time : N.A Think Time : N.A Minimum Instruction Time : 0

Correct Marks : 5 Wrong Marks : 1

Question Key Details :

Key	Value
Comprehension	Comp2

The given figure shows the disassembled part of a Flange Pipe Joint. Answer the following question based on this drawing:



DETAILS OF A FLANGE PIPE JOINT

C.I. stands for :

1. Closed Interior
2. Crest Index
3. Cast Iron
4. Counter Iron

Options :

- 485584138613. 1
- 485584138614. 2
- 485584138615. 3
- 485584138616. 4

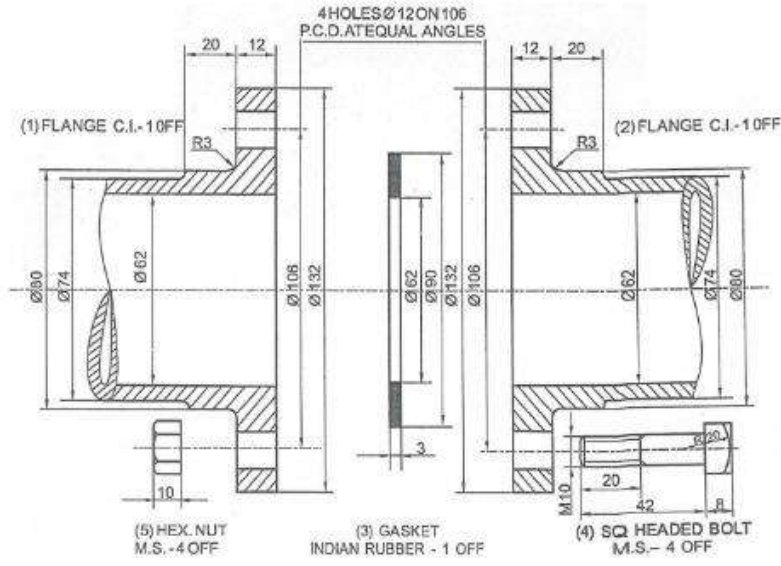
Question Number : 149 Question Id : 48558434654 Question Type : MCQ Option Shuffling : No Is Question Mandatory : No Calculator : None Response Time : N.A Think Time : N.A Minimum Instruction Time : 0

Correct Marks : 5 Wrong Marks : 1

Question Key Details :

Key	Value
Comprehension	Comp2

આપેલું ચિત્ર ઇલેન્જ પાઈમના છૂટા પાડેલા ભાગોનું છે. જેના આધારે નીચેના પ્રશ્નનો જવાબ આપો.



DETAILS OF A FLANGE PIPE JOINT

C.I. stands for

1. Closed Interior
2. Crest Index
3. Cast Iron
4. Counter Iron

Options :

485584138613. 1
485584138614. 2
485584138615. 3
485584138616. 4

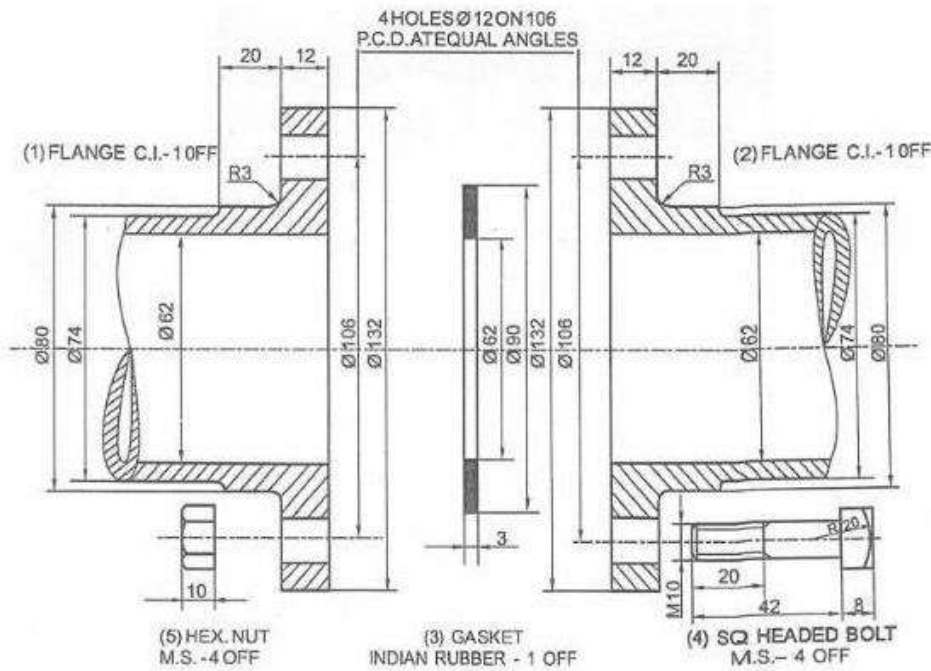
Question Number : 150 Question Id : 48558434655 Question Type : MCQ Option Shuffling : No Is Question Mandatory : No Calculator : None Response Time : N.A Think Time : N.A Minimum Instruction Time : 0

Correct Marks : 5 Wrong Marks : 1

Question Key Details :

Key	Value
Comprehension	Comp2

The given figure shows the disassembled part of a Flange Pipe Joint. Answer the following question based on this drawing:



DETAILS OF A FLANGE PIPE JOINT

The thickness of pipe walls can be increased when _____.

1. pressure is low
2. pressure is high
3. length of pipe has to be increased
4. length of pipe has to be decreased

Options :

- 485584138617. 1
- 485584138618. 2
- 485584138619. 3
- 485584138620. 4

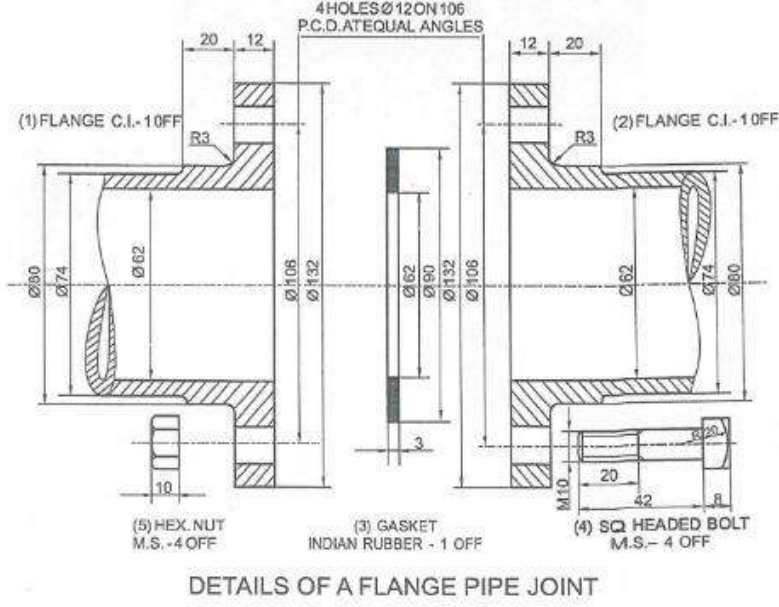
Question Number : 150 Question Id : 48558434655 Question Type : MCQ Option Shuffling : No Is Question Mandatory : No Calculator : None Response Time : N.A Think Time : N.A Minimum Instruction Time : 0

Correct Marks : 5 Wrong Marks : 1

Question Key Details :

Key	Value
Comprehension	Comp2

આપેલું ચિત્ર ઇલેન્જ પાઈમના છૂટા પાડેલા ભાગોનું છે. જેના આધારે નીચેના પ્રશ્નો જવાબ આપો.



જ્યારે _____ ત્યારે પાઈપની જાડાઈ વધારી શકાય

1. દબાણ ઓછું હોય
2. દબાણ વધુ હોય
3. પાઈપની લંબાઈ વધારવી પડે
4. પાઈપની લંબાઈ ઘટાળવી પડે

Options :

485584138617. 1
485584138618. 2
485584138619. 3
485584138620. 4

Geography

Group Number :	9
Group Id :	485584776
Group Maximum Duration :	45
Group Minimum Duration :	45
Show Attended Group? :	No
Edit Attended Group? :	No
Break time :	0
Group Marks :	200
Is this Group for Examiner? :	No
Examiner permission :	Cant View
Show Progress Bar? :	No

Geography

Section Id :	485584894
Section Number :	1
Section type :	Online
Mandatory or Optional :	Mandatory
Number of Questions :	50
Number of Questions to be attempted :	40
Section Marks :	200
Enable Mark as Answered Mark for Review and Clear Response :	Yes
Maximum Instruction Time :	0
Sub-Section Number :	1
Sub-Section Id :	4855842536
Question Shuffling Allowed :	Yes
Is Section Default? :	null

Question Number : 151 Question Id : 48558434056 Question Type : MCQ Option Shuffling : No Is Question Mandatory : No Calculator : None Response Time : N.A Think Time : N.A Minimum Instruction Time : 0

Correct Marks : 5 Wrong Marks : 1

Question Key Details :

Key	Value
Comprehension	MCQ

The concept neither there is a situation of absolute necessity nor absolute freedom is called :

1. Environmentalism
2. Probablism
3. Possibilism
4. Neo-determinism

Options :

- 485584136221. 1
- 485584136222. 2
- 485584136223. 3
- 485584136224. 4

Question Number : 152 Question Id : 48558434057 Question Type : MCQ Option Shuffling : No Is Question Mandatory : No Calculator : None Response Time : N.A Think Time : N.A Minimum Instruction Time : 0

Correct Marks : 5 Wrong Marks : 1

Question Key Details :

Key	Value
Comprehension	MCQ

Radical school approach in human geography is related to _____.

1. encyclo paetic description of the area
2. indentifying the Uniqueness of any region
3. indentifying mappable pattern for different human activities
4. explaining the basic cause of poverty and social inequality

Options :

- 485584136225. 1
- 485584136226. 2
- 485584136227. 3
- 485584136228. 4

Question Number : 153 Question Id : 48558434058 Question Type : MCQ Option Shuffling : No Is Question Mandatory : No Calculator : None Response Time : N.A Think Time : N.A Minimum Instruction Time : 0

Correct Marks : 5 Wrong Marks : 1

Question Key Details :

Key	Value
Comprehension	MCQ

Discontentment with quantitative revolution did not lead to the emergence of _____.

1. Humanistic school of geography
2. Radical Geography
3. Regional Geography
4. Behavioural Geography

Options :

- 485584136229. 1
- 485584136230. 2
- 485584136231. 3
- 485584136232. 4

Question Number : 154 Question Id : 48558434059 Question Type : MCQ Option Shuffling : No Is Question Mandatory : No Calculator : None Response Time : N.A Think Time : N.A Minimum Instruction Time : 0

Correct Marks : 5 Wrong Marks : 1

Question Key Details :

Key	Value
Comprehension	MCQ

_____ is a sub-field of social Geography.

1. Geography of Leisure
2. Geography of Resources
3. Geography of Tourism
4. Geography to Agriculture

Options :

485584136233. 1
485584136234. 2
485584136235. 3
485584136236. 4

Question Number : 155 Question Id : 48558434060 Question Type : MCQ Option Shuffling : No Is Question Mandatory : No Calculator : None Response Time : N.A Think Time : N.A Minimum Instruction Time : 0

Correct Marks : 5 Wrong Marks : 1

Question Key Details :

Key	Value
Comprehension	MCQ

Demographic Transition Theory can be used to describe and predict :

1. People participation in different categories of economic activities
2. Future population of an area
3. Gender based classification of population of an area
4. Working and depend and population of an area

Options :

485584136237. 1
485584136238. 2
485584136239. 3
485584136240. 4

Question Number : 156 Question Id : 48558434061 Question Type : MCQ Option Shuffling : No Is Question Mandatory : No Calculator : None Response Time : N.A Think Time : N.A Minimum Instruction Time : 0

Correct Marks : 5 Wrong Marks : 1

Question Key Details :

Key	Value
Comprehension	MCQ

Which programme was introduced by the Government of India to address the issue of decline in child sex ratio?

1. Beti Bachao Beti Padhao
2. Beti Samjhao Beto Padhao
3. Beti Samjhao Beti Bachao
4. Beti Batao Beti Badhao

Options :

485584136241. 1
485584136242. 2
485584136243. 3
485584136244. 4

Question Number : 157 Question Id : 48558434062 Question Type : MCQ Option Shuffling : No Is Question Mandatory : No Calculator : None Response Time : N.A Think Time : N.A Minimum Instruction Time : 0

Correct Marks : 5 Wrong Marks : 1

Question Key Details :

Key	Value
Comprehension	MCQ

International Labour Organisation (ILO) proposed _____ for human development measurement.

1. basic needs approach
2. income approach
3. welfare approach
4. capability approach

Options :

485584136245. 1
485584136246. 2
485584136247. 3
485584136248. 4

Question Number : 158 Question Id : 48558434063 Question Type : MCQ Option Shuffling : No Is Question Mandatory : No Calculator : None Response Time : N.A Think Time : N.A Minimum Instruction Time : 0

Correct Marks : 5 Wrong Marks : 1

Question Key Details :

Key	Value
Comprehension	MCQ

The process of migration from plain areas to pastures on mountain during summers and again from mountain pastures to plain areas during winter is known as _____.

1. immigration
2. migration
3. transhumance
4. emigration

Options :

485584136249. 1
485584136250. 2
485584136251. 3
485584136252. 4

Question Number : 159 Question Id : 48558434064 Question Type : MCQ Option Shuffling : No Is Question Mandatory : No Calculator : None Response Time : N.A Think Time : N.A Minimum Instruction Time : 0

Correct Marks : 5 Wrong Marks : 1

Question Key Details :

Key	Value
Comprehension	MCQ

'Chicago-Gary' is a major industrial region of _____.

1. Europe
2. Australia
3. Canada
4. United States of America

Options :

485584136253. 1
485584136254. 2
485584136255. 3
485584136256. 4

Question Number : 160 Question Id : 48558434065 Question Type : MCQ Option Shuffling : No Is Question Mandatory : No Calculator : None Response Time : N.A Think Time : N.A Minimum Instruction Time : 0

Correct Marks : 5 Wrong Marks : 1

Question Key Details :

Key	Value
Comprehension	MCQ

Which of the following sea route is called as Big Trunk Route ?

1. North Pacific Sea Route
2. Northen Atlantic Sea Route
3. Cape of Good Hope Sea Route
4. Southern Atlantic Sea Route

Options :

485584136257. 1
485584136258. 2
485584136259. 3
485584136260. 4

Question Number : 161 Question Id : 48558434066 Question Type : MCQ Option Shuffling : No Is Question Mandatory : No Calculator : None Response Time : N.A Think Time : N.A Minimum Instruction Time : 0

Correct Marks : 5 Wrong Marks : 1

Question Key Details :

Key	Value
Comprehension	MCQ

Which of the following country has the highest density of rail network ?

1. Africa
2. Canada
3. Asia
4. Australia

Options :

485584136261. 1
485584136262. 2
485584136263. 3
485584136264. 4

Question Number : 162 Question Id : 48558434067 Question Type : MCQ Option Shuffling : No Is Question Mandatory : No Calculator : None Response Time : N.A Think Time : N.A Minimum Instruction Time : 0

Correct Marks : 5 Wrong Marks : 1

Question Key Details :

Key	Value
Comprehension	MCQ

The Union of Conurbations is called _____.

1. Megopolis
2. Conurbation
3. Metropolitan
4. Million City

Options :

485584136265. 1
485584136266. 2
485584136267. 3
485584136268. 4

Question Number : 163 Question Id : 48558434068 Question Type : MCQ Option Shuffling : No Is Question Mandatory : No Calculator : None Response Time : N.A Think Time : N.A Minimum Instruction Time : 0

Correct Marks : 5 Wrong Marks : 1

Question Key Details :

Key	Value
Comprehension	MCQ

Arrange the following regions in ascending order according to growth rate of population (2010-15).

- A. Oceania
- B. Europe
- C. Asia
- D. Africa

Choose the correct answer from the options given below :

1. (B), (C), (A), (D)
2. (B), (A), (C), (D)
3. (B), (D), (A), (C)
4. (A), (B), (C), (D)

Options :

485584136269. 1
485584136270. 2
485584136271. 3
485584136272. 4

Question Number : 164 Question Id : 48558434069 Question Type : MCQ Option Shuffling : No Is Question Mandatory : No Calculator : None Response Time : N.A Think Time : N.A Minimum Instruction Time : 0

Correct Marks : 5 Wrong Marks : 1

Question Key Details :

Key	Value
Comprehension	MCQ

Arrange the following stations of Trans Siberian Railway from East to West direction.

- A. Chita
- B. Vladivostak
- C. Moscow
- D. Omsk

Choose the correct answer from the options given below :

1. (A), (B), (C), (D)
2. (B), (A), (D), (C)
3. (B), (A), (C), (D)
4. (A), (B), (C), (D)

Options :

- 485584136273. 1
- 485584136274. 2
- 485584136275. 3
- 485584136276. 4

Question Number : 165 Question Id : 48558434070 Question Type : MCQ Option Shuffling : No Is Question Mandatory : No Calculator : None Response Time : N.A Think Time : N.A Minimum Instruction Time : 0

Correct Marks : 5 Wrong Marks : 1

Question Key Details :

Key	Value
Comprehension	MCQ

Arrange the following mega cities of the world in descending order according to population (2016).

- A. Shanghai
- B. Beijing
- C. Sao Paulo
- D. Tokyo

Choose the correct answer from the options given below :

1. (D), (A), (C), (B)
2. (D), (A), (B), (C)
3. (A), (D), (B), (C)
4. (A), (D), (C), (B)

Options :

- 485584136277. 1
- 485584136278. 2
- 485584136279. 3
- 485584136280. 4

Question Number : 166 Question Id : 48558434071 Question Type : MCQ Option Shuffling : No Is Question Mandatory : No Calculator : None Response Time : N.A Think Time : N.A Minimum Instruction Time : 0

Correct Marks : 5 Wrong Marks : 1

Question Key Details :

Key	Value
Comprehension	MCQ

Read the following statements about demographic transition theory carefully :

- A. The first stage has high fertility and high mortality
- B. Fertility remains high in beginning of second stage
- C. In the last stage both fertility and mortality declined considerably
- D. This theory cannot be used to describe and predict the future population of any area

Choose the correct answer from the options given below :

- 1. (A), (B), (C) only
- 2. (A), (B), (D) only
- 3. (A), (C), (D) only
- 4. (B), (C), (D) only

Options :

- 485584136281. 1
- 485584136282. 2
- 485584136283. 3
- 485584136284. 4

Question Number : 167 Question Id : 48558434072 Question Type : MCQ Option Shuffling : No Is Question Mandatory : No Calculator : None Response Time : N.A Think Time : N.A Minimum Instruction Time : 0

Correct Marks : 5 Wrong Marks : 1

Question Key Details :

Key	Value
Comprehension	MCQ

Identify the characteristics of compact or nucleated settlements :

- A. Houses are built very close to each other.
- B. Communities share common occupation.
- C. Mainly found in fertile plains.
- D. Houses are interspersed with fields.

Choose the correct answer from the options given below :

- 1. (A), (B), (D) only
- 2. (A), (C), (D) only
- 3. (B), (C), (D) only
- 4. (A), (B), (C) only

Options :

485584136285. 1
 485584136286. 2
 485584136287. 3
 485584136288. 4

Question Number : 168 Question Id : 48558434073 Question Type : MCQ Option Shuffling : No Is Question Mandatory : No Calculator : None Response Time : N.A Think Time : N.A Minimum Instruction Time : 0

Correct Marks : 5 Wrong Marks : 1

Question Key Details :

Key	Value
Comprehension	MCQ

Match List I with List II

LIST I (Concept)		LIST II (Definition)	
A.	Density of population	I.	The working population participation in various occupations
B.	Sex Ratio	II.	Numbers of people in different age groups
C.	Age structure	III.	Ratio between the number of women and men
D.	Occupational Structure	IV.	Ratio between the numbers of people to size of land

Choose the correct answer from the options given below:

1. (A)-(IV), (B)-(III), (C)-(II), (D)-(I)
2. (A)-(IV), (B)-(II), (C)-(III), (D)-(I)
3. (A)-(I), (B)-(II), (C)-(IV), (D)-(III)
4. (A)-(IV), (B)-(I), (C)-(III), (D)-(II)

Options :

485584136289. 1
 485584136290. 2
 485584136291. 3
 485584136292. 4

Question Number : 169 Question Id : 48558434074 Question Type : MCQ Option Shuffling : No Is Question Mandatory : No Calculator : None Response Time : N.A Think Time : N.A Minimum Instruction Time : 0

Correct Marks : 5 Wrong Marks : 1

Question Key Details :

Key	Value
Comprehension	MCQ

Match List I with List II

LIST I (Trains Continental Railways)		LIST II (Stations)	
A.	Trans-Siberian Railways	I.	Perth to Sydney
B.	Tran-Canadian Railways	II.	St. Petersburg to Vladivostok
C.	The Union and Pacific Railways	III.	New York to San Francisco
D.	The Australian Trans-continental Railways	IV.	Halifax to Vancouver

Choose the correct answer from the options given below:

1. (A)-(II), (B)-(I), (C)-(IV), (D)-(III)
2. (A)-(II), (B)-(IV), (C)-(III), (D)-(I)
3. (A)-(II), (B)-(III), (C)-(IV), (D)-(I)
4. (A)-(IV), (B)-(III), (C)-(I), (D)-(II)

Options :

485584136293. 1
485584136294. 2
485584136295. 3
485584136296. 4

Question Number : 170 Question Id : 48558434075 Question Type : MCQ Option Shuffling : No Is Question Mandatory : No Calculator : None Response Time : N.A Think Time : N.A Minimum Instruction Time : 0

Correct Marks : 5 Wrong Marks : 1

Question Key Details :

Key	Value
Comprehension	MCQ

Match List I with List II

LIST I (Aspects of International Trade)		LIST II (Characteristics)	
A.	Multi-lateral Trade	I.	Trade is done by two countries with each other
B.	Volume of Trade	II.	The nature of goods and services imported and exported by countries
C.	Composition of Trade	III.	Trade is conducted with many trading countries
D.	Bilateral Trade	IV.	The total value of goods and services traded

Choose the correct answer from the options given below:

1. (A)-(III), (B)-(IV), (C)-(I), (D)-(II)
2. (A)-(III), (B)-(IV), (C)-(II), (D)-(I)
3. (A)-(III), (B)-(II), (C)-(IV), (D)-(I)
4. (A)-(IV), (B)-(II), (C)-(III), (D)-(I)

Options :

485584136297. 1
485584136298. 2
485584136299. 3
485584136300. 4

Question Number : 171 Question Id : 48558434076 Question Type : MCQ Option Shuffling : No Is Question Mandatory : No Calculator : None Response Time : N.A Think Time : N.A Minimum Instruction Time : 0

Correct Marks : 5 Wrong Marks : 1

Question Key Details :

Key	Value
Comprehension	MCQ

According to 2011, the highest population density is recorded in _____

1. West Bengal
2. Kerala
3. Bihar
4. Uttar Pradesh

Options :

485584136301. 1
485584136302. 2
485584136303. 3
485584136304. 4

Question Number : 172 Question Id : 48558434077 Question Type : MCQ Option Shuffling : No Is Question Mandatory : No Calculator : None Response Time : N.A Think Time : N.A Minimum Instruction Time : 0

Correct Marks : 5 Wrong Marks : 1

Question Key Details :

Key	Value
Comprehension	MCQ

Both the birth rate and death rate were high in India during _____.

1. 1901 - 1921
2. 1921 - 1951
3. 1951 - 1981
4. After 1981

Options :

- 485584136305. 1
- 485584136306. 2
- 485584136307. 3
- 485584136308. 4

Question Number : 173 Question Id : 48558434078 Question Type : MCQ Option Shuffling : No Is Question Mandatory : No Calculator : None Response Time : N.A Think Time : N.A Minimum Instruction Time : 0

Correct Marks : 5 Wrong Marks : 1

Question Key Details :

Key	Value
Comprehension	MCQ

Arunachal Pradesh is dominated by the speakers of _____ family of Indian language.

1. Austric
2. Dravidian
3. Sino-Tibetan
4. Indo-European

Options :

- 485584136309. 1
- 485584136310. 2
- 485584136311. 3
- 485584136312. 4

Question Number : 174 Question Id : 48558434079 Question Type : MCQ Option Shuffling : No Is Question Mandatory : No Calculator : None Response Time : N.A Think Time : N.A Minimum Instruction Time : 0

Correct Marks : 5 Wrong Marks : 1

Question Key Details :

Key	Value
Comprehension	MCQ

The Agenda - 21 Report of the Rio Conference was published in _____.

1. 1972
2. 1974
3. 1987
4. 1993

Options :

- 485584136313. 1
- 485584136314. 2
- 485584136315. 3
- 485584136316. 4

Question Number : 175 Question Id : 48558434080 Question Type : MCQ Option Shuffling : No Is Question Mandatory : No Calculator : None Response Time : N.A Think Time : N.A Minimum Instruction Time : 0

Correct Marks : 5 Wrong Marks : 1

Question Key Details :

Key	Value
Comprehension	MCQ

Which one of the following is a garrison contonment town ?

1. Chandigarh
2. Satna
3. Raniganj
4. Udhampur

Options :

- 485584136317. 1
- 485584136318. 2
- 485584136319. 3
- 485584136320. 4

Question Number : 176 Question Id : 48558434081 Question Type : MCQ Option Shuffling : No Is Question Mandatory : No Calculator : None Response Time : N.A Think Time : N.A Minimum Instruction Time : 0

Correct Marks : 5 Wrong Marks : 1

Question Key Details :

Key	Value
Comprehension	MCQ

A population size of 5000 - 9,999 is put into which class of town according to 2011 census of India ?

1. Class – III
2. Class – IV
3. Class – V
4. Class – VI

Options :

- 485584136321. 1
- 485584136322. 2
- 485584136323. 3
- 485584136324. 4

Question Number : 177 Question Id : 48558434082 Question Type : MCQ Option Shuffling : No Is Question Mandatory : No Calculator : None Response Time : N.A Think Time : N.A Minimum Instruction Time : 0

Correct Marks : 5 Wrong Marks : 1

Question Key Details :

Key	Value
Comprehension	MCQ

Which one of the following minerals is mainly used in the electrical and electronic industries ?

1. Graphite
2. Mica
3. Manganese
4. Bauxite

Options :

- 485584136325. 1
- 485584136326. 2
- 485584136327. 3
- 485584136328. 4

Question Number : 178 Question Id : 48558434083 Question Type : MCQ Option Shuffling : No Is Question Mandatory : No Calculator : None Response Time : N.A Think Time : N.A Minimum Instruction Time : 0

Correct Marks : 5 Wrong Marks : 1

Question Key Details :

Key	Value
Comprehension	MCQ

Which of the following energy plant has been commissioned at Manikaran ?

1. Wind Energy
2. Bio Energy
3. Solar Energy
4. Geothermal Energy

Options :

485584136329. 1
485584136330. 2
485584136331. 3
485584136332. 4

Question Number : 179 Question Id : 48558434084 Question Type : MCQ Option Shuffling : No Is Question Mandatory : No Calculator : None Response Time : N.A Think Time : N.A Minimum Instruction Time : 0

Correct Marks : 5 Wrong Marks : 1

Question Key Details :

Key	Value
Comprehension	MCQ

Which steel plant in India has a supply of iron ore from Noamundi, coal from Joda mines, and water from Kharkai river ?

1. Indian Iron and Steel Company (IISCO)
2. Tata Iron and Steel Company (TISCO)
3. Visvesvaraiya Iron and Steel Works Ltd. (VISL)
4. Rourkela Steel Plant

Options :

485584136333. 1
485584136334. 2
485584136335. 3
485584136336. 4

Question Number : 180 Question Id : 48558434085 Question Type : MCQ Option Shuffling : No Is Question Mandatory : No Calculator : None Response Time : N.A Think Time : N.A Minimum Instruction Time : 0

Correct Marks : 5 Wrong Marks : 1

Question Key Details :

Key	Value
Comprehension	MCQ

India was famous worldwide for the production of a very fine variety of cotton cloth ?Which of the following was that ?

1. Chanderi
2. Khadi
3. Muslin
4. Lahori

Options :

485584136337. 1
485584136338. 2
485584136339. 3
485584136340. 4

Question Number : 181 Question Id : 48558434086 Question Type : MCQ Option Shuffling : No Is Question Mandatory : No Calculator : None Response Time : N.A Think Time : N.A Minimum Instruction Time : 0

Correct Marks : 5 Wrong Marks : 1

Question Key Details :

Key	Value
Comprehension	MCQ

The length of first railway run between Bombay and Thane was _____.

1. 32 km
2. 34 km
3. 36 km
4. 38 km

Options :

485584136341. 1
485584136342. 2
485584136343. 3
485584136344. 4

Question Number : 182 Question Id : 48558434087 Question Type : MCQ Option Shuffling : No Is Question Mandatory : No Calculator : None Response Time : N.A Think Time : N.A Minimum Instruction Time : 0

Correct Marks : 5 Wrong Marks : 1

Question Key Details :

Key	Value
Comprehension	MCQ

Which one of the following is the cause of intestinal worms ?

1. Water Pollution
2. Air Pollution
3. Noise Pollution
4. Land Pollution

Options :

- 485584136345. 1
- 485584136346. 2
- 485584136347. 3
- 485584136348. 4

Question Number : 183 Question Id : 48558434088 Question Type : MCQ Option Shuffling : No Is Question Mandatory : No Calculator : None Response Time : N.A Think Time : N.A Minimum Instruction Time : 0

Correct Marks : 5 Wrong Marks : 1

Question Key Details :

Key	Value
Comprehension	MCQ

By 2050, an estimated _____ of the world's population will live in Urban areas.

1. one-third
2. two-third
3. half
4. three-fourth

Options :

- 485584136349. 1
- 485584136350. 2
- 485584136351. 3
- 485584136352. 4

Question Number : 184 Question Id : 48558434089 Question Type : MCQ Option Shuffling : No Is Question Mandatory : No Calculator : None Response Time : N.A Think Time : N.A Minimum Instruction Time : 0

Correct Marks : 5 Wrong Marks : 1

Question Key Details :

Key	Value
Comprehension	MCQ

Arrange the following oil refineries of India from north to south direction.

- A. Mangaluru
- B. Haldia
- C. Kochchi
- D. Tatipaka

Choose the correct answer from the options given below :

1. (D), (A), (B), (C)
2. (D), (B), (A), (C)
3. (B), (D), (A), (C)
4. (B), (D), (C), (A)

Options :

- 485584136353. 1
- 485584136354. 2
- 485584136355. 3
- 485584136356. 4

Question Number : 185 Question Id : 48558434090 Question Type : MCQ Option Shuffling : No Is Question Mandatory : No Calculator : None Response Time : N.A Think Time : N.A Minimum Instruction Time : 0

Correct Marks : 5 Wrong Marks : 1

Question Key Details :

Key	Value
Comprehension	MCQ

Arrange the following software technology parks of India from West to East direction.

- A. Delhi
- B. Kanpur
- C. Kolkata
- D. Gandhinagar

Choose the correct answer from the options given below :

1. (D), (A), (C), (B)
2. (D), (C), (B), (A)
3. (D), (A), (B), (C)
4. (A), (D), (B), (C)

Options :

- 485584136357. 1
- 485584136358. 2
- 485584136359. 3
- 485584136360. 4

Question Number : 186 Question Id : 48558434091 Question Type : MCQ Option Shuffling : No Is Question Mandatory : No Calculator : None Response Time : N.A Think Time : N.A Minimum Instruction Time : 0

Correct Marks : 5 Wrong Marks : 1

Question Key Details :

Key	Value
Comprehension	MCQ

Read the following statements about rice crop in India carefully.

- A. It is considered to be a crop of tropical humid areas.
- B. Rice cultivation in the irrigated areas of Punjab and Haryana was introduced in 1950s.
- C. In West Bengal farmers grow three crops of rice.
- D. India was the second largest producer of rice in 2018.

Choose the correct answer from the options given below :

- 1. (A), (B) and (C) only
- 2. (A), (C) and (D) only
- 3. (B), (C) and (D) only
- 4. (A), (B) and (D) only

Options :

- 485584136361. 1
- 485584136362. 2
- 485584136363. 3
- 485584136364. 4

Question Number : 187 Question Id : 48558434092 Question Type : MCQ Option Shuffling : No Is Question Mandatory : No Calculator : None Response Time : N.A Think Time : N.A Minimum Instruction Time : 0

Correct Marks : 5 Wrong Marks : 1

Question Key Details :

Key	Value
Comprehension	MCQ

Read the following statements about tea Crop in India carefully.

- A. Tea is a plantation crop
- B. Tea leaves have rich content of caffeine and tannin
- C. Tea is an indigenous crop of India
- D. It is grown our undulating topography of hilly area

Choose the correct answer from the options given below :

- 1. (A), (B) and (C) only
- 2. (A), (B) and (D) only
- 3. (A), (C) and (D) only
- 4. (B), (C) and (D) only

Options :

485584136365. 1
485584136366. 2
485584136367. 3
485584136368. 4

Question Number : 188 Question Id : 48558434093 Question Type : MCQ Option Shuffling : No Is Question Mandatory : No Calculator : None Response Time : N.A Think Time : N.A Minimum Instruction Time : 0

Correct Marks : 5 Wrong Marks : 1

Question Key Details :

Key	Value
Comprehension	MCQ

Read the following statements about Coal deposit in India carefully.

- A. About 80 per cent of the coal deposit in India is lignite type.
- B. The most important Gondwans Coal fields of India are located in Damodar Valley.
- C. Tharia is the largest coal field of India.
- D. Korba coal mining centre is located in West Bengal

Choose the correct answer from the options given below :

- 1. (A), (B) and (C) only
- 2. (A), (C) and (D) only
- 3. (A), (B) and (D) only
- 4. (B), (C) and (D) only

Options :

485584136369. 1
485584136370. 2
485584136371. 3
485584136372. 4

Question Number : 189 Question Id : 48558434094 Question Type : MCQ Option Shuffling : No Is Question Mandatory : No Calculator : None Response Time : N.A Think Time : N.A Minimum Instruction Time : 0

Correct Marks : 5 Wrong Marks : 1

Question Key Details :

Key	Value
Comprehension	MCQ

Match List I with List II

LIST I (State)		LIST II (Total Literacy Rate 2011)	
A.	Bihar	I.	69.72
B.	Kerala	II.	87.40
C.	Goa	III.	93.91
D.	Uttar Pradesh	IV.	63.82

Choose the correct answer from the options given below:

1. (A)-(I), (B)-(II), (C)-(III), (D)-(IV)
2. (A)-(II), (B)-(IV), (C)-(I), (D)-(III)
3. (A)-(IV), (B)-(III), (C)-(II), (D)-(I)
4. (A)-(I), (B)-(III), (C)-(II), (D)-(IV)

Options :

485584136373. 1
485584136374. 2
485584136375. 3
485584136376. 4

Question Number : 190 Question Id : 48558434095 Question Type : MCQ Option Shuffling : No Is Question Mandatory : No Calculator : None Response Time : N.A Think Time : N.A Minimum Instruction Time : 0

Correct Marks : 5 Wrong Marks : 1

Question Key Details :

Key	Value
Comprehension	MCQ

Match List I with List II

LIST I (Types to town)		LIST II (Examples)	
A.	Ancient Town	I.	Nagpur
B.	Medieval Town	II.	Gandhinagar
C.	Modern Town	III.	Madurai
D.	After Independence Town	IV.	Surat

Choose the correct answer from the options given below:

1. (A)-(III), (B)-(I), (C)-(II), (D)-(IV)
2. (A)-(I), (B)-(II), (C)-(IV), (D)-(III)
3. (A)-(III), (B)-(I), (C)-(IV), (D)-(II)
4. (A)-(I), (B)-(IV), (C)-(III), (D)-(II)

Options :

- 485584136377. 1
- 485584136378. 2
- 485584136379. 3
- 485584136380. 4

Sub-Section Number : 2
Sub-Section Id : 4855842537
Question Shuffling Allowed : No
Is Section Default? : null

Question Number : 191 Question Id : 48558434096 Question Type : MCQ Option Shuffling : No Is Question Mandatory : No Calculator : None Response Time : N.A Think Time : N.A Minimum Instruction Time : 0 Correct Marks : 5 Wrong Marks : 1

Question Key Details :

Key	Value
Comprehension	Comp1

Read the given passage carefully and answer following question .

The Ruhr Coal field of Germany has been one of the major industrial regions of Europe for a long time. Coal and iron and steel formed the basis of the economy, but as the demand for coal declined, the industry started shrinking. Even after the iron ore was exhausted, the industry remained, using imported ore brought by waterways to the Ruhr.

The Ruhr region is responsible for 80 per cent of Germany’s total steel production. Changes in the industrial structure have led to the decay of some areas, and there are problems of industrial waste and pollution. The future prosperity of the Ruhr is based less on the products of coal and steel, for which it was initially famous, and more on the new industries like the huge Opel car assembly plant, new chemical plants, universities. Out-of-town shopping centres have appeared resulting in a ‘New Ruhr’ landscape.

The iron and steel industry forms the base of all other industries and, therefore, it is called a basic industry. It is basic because it provides raw material for other industries such as machine tools used for further production. It may also be called a heavy industry because it uses large quantities of bulky raw materials and its products are also heavy.

Iron is extracted from iron ore by smelting in a blast furnace with carbon (coke) and limestone. The molten iron is cooled and moulded to form pig iron which is used for converting into steel by adding strengthening materials manganese.

_____ and _____ formed the basis of the economy Ruhr region.

1. Coal, Petrochemical
2. Iron and Steel, coal
3. Iron and Steel, Cotton textile
4. Cotton textile and Petrochemical

Options :

- 485584136381. 1
- 485584136382. 2
- 485584136383. 3
- 485584136384. 4

Question Number : 192 Question Id : 48558434097 Question Type : MCQ Option Shuffling : No Is Question Mandatory : No Calculator : None Response Time : N.A Think Time : N.A Minimum Instruction Time : 0

Correct Marks : 5 Wrong Marks : 1

Question Key Details :

Key	Value
Comprehension	Comp1

Read the given passage carefully and answer following question .

The Ruhr Coal field of Germany has been one of the major industrial regions of Europe for a long time. Coal and iron and steel formed the basis of the economy, but as the demand for coal declined, the industry started shrinking. Even after the iron ore was exhausted, the industry remained, using imported ore brought by waterways to the Ruhr.

The Ruhr region is responsible for 80 per cent of Germany's total steel production. Changes in the industrial structure have led to the decay of some areas, and there are problems of industrial waste and pollution. The future prosperity of the Ruhr is based less on the products of coal and steel, for which it was initially famous, and more on the new industries like the huge Opel car assembly plant, new chemical plants, universities. Out-of-town shopping centres have appeared resulting in a 'New Ruhr' landscape.

The iron and steel industry forms the base of all other industries and, therefore, it is called a basic industry. It is basic because it provides raw material for other industries such as machine tools used for further production. It may also be called a heavy industry because it uses large quantities of bulky raw materials and its products are also heavy.

Iron is extracted from iron ore by smelting in a blast furnace with carbon (coke) and limestone. The molten iron is cooled and moulded to form pig iron which is used for converting into steel by adding strengthening materials manganese.

Ruhr region contribute _____ of Germany's total steel production.

1. 73%
2. 77%
3. 80%
4. 83%

Options :

- 485584136385. 1
- 485584136386. 2
- 485584136387. 3
- 485584136388. 4

Question Number : 193 Question Id : 48558434098 Question Type : MCQ Option Shuffling : No Is Question Mandatory : No Calculator : None Response Time : N.A Think Time : N.A Minimum Instruction Time : 0

Correct Marks : 5 Wrong Marks : 1

Question Key Details :

Key	Value
Comprehension	Comp1

Read the given passage carefully and answer following question .

The Ruhr Coal field of Germany has been one of the major industrial regions of Europe for a long time. Coal and iron and steel formed the basis of the economy, but as the demand for coal declined, the industry started shrinking. Even after the iron ore was exhausted, the industry remained, using imported ore brought by waterways to the Ruhr.

The Ruhr region is responsible for 80 per cent of Germany's total steel production. Changes in the industrial structure have led to the decay of some areas, and there are problems of industrial waste and pollution. The future prosperity of the Ruhr is based less on the products of coal and steel, for which it was initially famous, and more on the new industries like the huge Opel car assembly plant, new chemical plants, universities. Out-of-town shopping centres have appeared resulting in a 'New Ruhr' landscape.

The iron and steel industry forms the base of all other industries and, therefore, it is called a basic industry. It is basic because it provides raw material for other industries such as machine tools used for further production. It may also be called a heavy industry because it uses large quantities of bulky raw materials and its products are also heavy.

Iron is extracted from iron ore by smelting in a blast furnace with carbon (coke) and limestone. The molten iron is cooled and moulded to form pig iron which is used for converting into steel by adding strengthening materials manganese.

The assembly of _____ car is done in the Ruhr region of Germany.

1. Opel
2. Napel
3. Napthel
4. Onthel

Options :

485584136389. 1
485584136390. 2
485584136391. 3
485584136392. 4

Question Number : 194 Question Id : 48558434099 Question Type : MCQ Option Shuffling : No Is Question Mandatory : No Calculator : None Response Time : N.A Think Time : N.A Minimum Instruction Time : 0

Correct Marks : 5 Wrong Marks : 1

Question Key Details :

Key	Value
Comprehension	Compl

Read the given passage carefully and answer following question .

The Ruhr Coal field of Germany has been one of the major industrial regions of Europe for a long time. Coal and iron and steel formed the basis of the economy, but as the demand for coal declined, the industry started shrinking. Even after the iron ore was exhausted, the industry remained, using imported ore brought by waterways to the Ruhr.

The Ruhr region is responsible for 80 per cent of Germany's total steel production. Changes in the industrial structure have led to the decay of some areas, and there are problems of industrial waste and pollution. The future prosperity of the Ruhr is based less on the products of coal and steel, for which it was initially famous, and more on the new industries like the huge Opel car assembly plant, new chemical plants, universities. Out-of-town shopping centres have appeared resulting in a 'New Ruhr' landscape.

The iron and steel industry forms the base of all other industries and, therefore, it is called a basic industry. It is basic because it provides raw material for other industries such as machine tools used for further production. It may also be called a heavy industry because it uses large quantities of bulky raw materials and its products are also heavy.

Iron is extracted from iron ore by smelting in a blast furnace with carbon (coke) and limestone. The molten iron is cooled and moulded to form pig iron which is used for converting into steel by adding strengthening materials manganese.

Iron and Steel industry is called _____ industry.

1. Basic
2. Secondary
3. Tertiary
4. Quaternary

Options :

485584136393. 1
485584136394. 2
485584136395. 3
485584136396. 4

Question Number : 195 Question Id : 48558434100 Question Type : MCQ Option Shuffling : No Is Question Mandatory : No Calculator : None Response Time : N.A Think Time : N.A Minimum Instruction Time : 0

Correct Marks : 5 Wrong Marks : 1

Question Key Details :

Key	Value
Comprehension	Comp1

Read the given passage carefully and answer following question .

The Ruhr Coal field of Germany has been one of the major industrial regions of Europe for a long time. Coal and iron and steel formed the basis of the economy, but as the demand for coal declined, the industry started shrinking. Even after the iron ore was exhausted, the industry remained, using imported ore brought by waterways to the Ruhr.

The Ruhr region is responsible for 80 per cent of Germany's total steel production. Changes in the industrial structure have led to the decay of some areas, and there are problems of industrial waste and pollution. The future prosperity of the Ruhr is based less on the products of coal and steel, for which it was initially famous, and more on the new industries like the huge Opel car assembly plant, new chemical plants, universities. Out-of-town shopping centres have appeared resulting in a 'New Ruhr' landscape.

The iron and steel industry forms the base of all other industries and, therefore, it is called a basic industry. It is basic because it provides raw material for other industries such as machine tools used for further production. It may also be called a heavy industry because it uses large quantities of bulky raw materials and its products are also heavy.

Iron is extracted from iron ore by smelting in a blast furnace with carbon (coke) and limestone. The molten iron is cooled and moulded to form pig iron which is used for converting into steel by adding strengthening materials manganese.

_____ is added to strengthen the material for making steel.

1. Mica
2. Limestone
3. Coke
4. Manganese

Options :

485584136397. 1
485584136398. 2
485584136399. 3
485584136400. 4

Sub-Section Number : 3
Sub-Section Id : 4855842538
Question Shuffling Allowed : No
Is Section Default? : null

Question Number : 196 Question Id : 48558434101 Question Type : MCQ Option Shuffling : No Is Question Mandatory : No Calculator : None Response Time : N.A Think Time : N.A Minimum Instruction Time : 0

Correct Marks : 5 Wrong Marks : 1

Question Key Details :

Key	Value
Comprehension	Comp2

Study the given table carefully and answer the following question:

Composition of India's Export, 2009-2017

(Percentage share in Exports)

Commodities	2009-10	2010-11	2015-16	2016-17
Agriculture and allied products	10.0	9.9	12.6	12.3
Ore and Minerals	4.9	4.0	1.6	1.9
Manufactured goods	67.4	68.0	72.9	73.6
Crude and petroleum products	16.2	16.8	11.9	11.7
Other Commodities	1.5	1.2	1.1	0.5

How many of the following export commodities are showing an increasing trend between 2015 - 16 to 2016 - 17 ?

1. 1
2. 2
3. 3
4. 4

Options :

485584136401. 1
485584136402. 2
485584136403. 3
485584136404. 4

Question Number : 197 Question Id : 48558434102 Question Type : MCQ Option Shuffling : No Is Question Mandatory : No Calculator : None Response Time : N.A Think Time : N.A Minimum Instruction Time : 0

Correct Marks : 5 Wrong Marks : 1

Question Key Details :

Key	Value
Comprehension	Comp2

Study the given table carefully and answer the following question:

Composition of India's Export, 2009-2017

(Percentage share in Exports)

Commodities	2009-10	2010-11	2015-16	2016-17
Agriculture and allied products	10.0	9.9	12.6	12.3
Ore and Minerals	4.9	4.0	1.6	1.9
Manufactured goods	67.4	68.0	72.9	73.6
Crude and petroleum products	16.2	16.8	11.9	11.7
Other Commodities	1.5	1.2	1.1	0.5

In 2015 - 16, if agriculture and allied products and manufactured goods percentages are added, it would be _____.

1. 84.5%
2. 85.0%
3. 85.5%
4. 86.0%

Options :

485584136405. 1
485584136406. 2
485584136407. 3
485584136408. 4

Question Number : 198 Question Id : 48558434103 Question Type : MCQ Option Shuffling : No Is Question Mandatory : No Calculator : None Response Time : N.A Think Time : N.A Minimum Instruction Time : 0

Correct Marks : 5 Wrong Marks : 1

Question Key Details :

Key	Value
Comprehension	Comp2

Study the given table carefully and answer the following question:

Composition of India's Export, 2009-2017

(Percentage share in Exports)

Commodities	2009-10	2010-11	2015-16	2016-17
Agriculture and allied products	10.0	9.9	12.6	12.3
Ore and Minerals	4.9	4.0	1.6	1.9
Manufactured goods	67.4	68.0	72.9	73.6
Crude and petroleum products	16.2	16.8	11.9	11.7
Other Commodities	1.5	1.2	1.1	0.5

Which of the following export commodities registered increasing trends from 2009 - 10 to 2010 - 11 ?

1. Ore and minerals and manufactured
2. Agriculture and allied product and crude and petroleum products
3. Manufactured goods and other commodities
4. Manufactured goods and crud and petroleum products

Options :

485584136409. 1
485584136410. 2
485584136411. 3

Question Number : 199 Question Id : 48558434104 Question Type : MCQ Option Shuffling : No Is Question Mandatory : No Calculator : None Response Time : N.A Think Time : N.A Minimum Instruction Time : 0

Correct Marks : 5 Wrong Marks : 1

Question Key Details :

Key	Value
Comprehension	Comp2

Study the given table carefully and answer the following question:

Composition of India's Export, 2009-2017

(Percentage share in Exports)

Commodities	2009-10	2010-11	2015-16	2016-17
Agriculture and allied products	10.0	9.9	12.6	12.3
Ore and Minerals	4.9	4.0	1.6	1.9
Manufactured goods	67.4	68.0	72.9	73.6
Crude and petroleum products	16.2	16.8	11.9	11.7
Other Commodities	1.5	1.2	1.1	0.5

Percentage increase in manufactured goods from 2010 - 11 to 2015 - 16 is reported by which one of the following ?

1. 1.9%
2. 2.9%
3. 3.9%
4. 4.9%

Options :

485584136413. 1
485584136414. 2
485584136415. 3
485584136416. 4

Question Number : 200 Question Id : 48558434105 Question Type : MCQ Option Shuffling : No Is Question Mandatory : No Calculator : None Response Time : N.A Think Time : N.A Minimum Instruction Time : 0

Correct Marks : 5 Wrong Marks : 1

Question Key Details :

Key	Value
Comprehension	Comp2

Study the given table carefully and answer the following question:

Composition of India's Export, 2009-2017

(Percentage share in Exports)

Commodities	2009-10	2010-11	2015-16	2016-17
Agriculture and allied products	10.0	9.9	12.6	12.3
Ore and Minerals	4.9	4.0	1.6	1.9
Manufactured goods	67.4	68.0	72.9	73.6
Crude and petroleum products	16.2	16.8	11.9	11.7
Other Commodities	1.5	1.2	1.1	0.5

The highest difference in percentage between, 2010 - 11 to 2015 - 16 is associated with which of the following categories ?

1. Agriculture and allied products
2. Ore and Minerals
3. Manufactured goods
4. Other Commodities

Options :

485584136417. 1
485584136418. 2
485584136419. 3
485584136420. 4

History

Group Number :	10
Group Id :	485584777
Group Maximum Duration :	45
Group Minimum Duration :	45
Show Attended Group? :	No
Edit Attended Group? :	No
Break time :	0
Group Marks :	200
Is this Group for Examiner? :	No
Examiner permission :	Cant View
Show Progress Bar? :	No

History

Section Id :	485584895
Section Number :	1
Section type :	Online
Mandatory or Optional :	Mandatory

Number of Questions : 50
Number of Questions to be attempted : 40
Section Marks : 200
Enable Mark as Answered Mark for Review and Clear Response : Yes
Maximum Instruction Time : 0
Sub-Section Number : 1
Sub-Section Id : 4855842539
Question Shuffling Allowed : Yes
Is Section Default? : null

Question Number : 201 Question Id : 48558434156 Question Type : MCQ Option Shuffling : No Is Question Mandatory : No Calculator : None Response Time : N.A Think Time : N.A Minimum Instruction Time : 0

Correct Marks : 5 Wrong Marks : 1

Question Key Details :

Key	Value
Comprehension	MCQ

Which of the following is **NOT True** of the 'Objectives Resolution'?

1. It proclaimed India to be an 'Independent Sovereign Republic'.
2. It guaranteed its citizens justice, equality and freedom.
3. Nehru located history of Constitution-making in India within a longer history of struggle for liberty and freedom.
4. The ideas and provisions of the Constitution introduced in India could be derived colonial past.

Options :

485584136621. 1
485584136622. 2
485584136623. 3
485584136624. 4

Question Number : 202 Question Id : 48558434157 Question Type : MCQ Option Shuffling : No Is Question Mandatory : No Calculator : None Response Time : N.A Think Time : N.A Minimum Instruction Time : 0

Correct Marks : 5 Wrong Marks : 1

Question Key Details :

Key	Value
Comprehension	MCQ

The 'Constituent Assembly' was composed of how many members?

1. 250
2. 120
3. 300
4. 522

Options :

485584136625. 1
485584136626. 2

485584136627. 3

485584136628. 4

Question Number : 203 Question Id : 48558434158 Question Type : MCQ Option Shuffling : No Is Question Mandatory : No Calculator : None Response Time : N.A Think Time : N.A Minimum Instruction Time : 0

Correct Marks : 5 Wrong Marks : 1

Question Key Details :

Key	Value
Comprehension	MCQ

The 'Great Calcutta Killings' took place in which year?

1. 1946

2. 1945

3. 1947

4. 1943

Options :

485584136629. 1

485584136630. 2

485584136631. 3

485584136632. 4

Question Number : 204 Question Id : 48558434159 Question Type : MCQ Option Shuffling : No Is Question Mandatory : No Calculator : None Response Time : N.A Think Time : N.A Minimum Instruction Time : 0

Correct Marks : 5 Wrong Marks : 1

Question Key Details :

Key	Value
Comprehension	MCQ

Which Governor General adopted policies that abolished 'Sati'?

1. Henry Hardings

2. William Bentinck

3. Canning

4. Dalhousie

Options :

485584136633. 1

485584136634. 2

485584136635. 3

485584136636. 4

Question Number : 205 Question Id : 48558434160 Question Type : MCQ Option Shuffling : No Is Question Mandatory : No Calculator : None Response Time : N.A Think Time : N.A Minimum Instruction Time : 0

Correct Marks : 5 Wrong Marks : 1

Question Key Details :

Key	Value
-----	-------

Comprehension	MCQ
---------------	-----

Who wrote one of the earliest histories of the Uprising of 1857?

1. Francis Grant
2. Captain Hearsey
3. Charles Ball
4. Colin Campbell

Options :

485584136637. 1
485584136638. 2
485584136639. 3
485584136640. 4

Question Number : 206 Question Id : 48558434161 Question Type : MCQ Option Shuffling : No Is Question Mandatory : No Calculator : None Response Time : N.A Think Time : N.A Minimum Instruction Time : 0

Correct Marks : 5 Wrong Marks : 1

Question Key Details :

Key	Value
Comprehension	MCQ

Which region was known as the 'nursery of the Bengal Army' as many sepoys were recruited from the region?

1. Jhansi
2. Satara
3. Awadh
4. Delhi

Options :

485584136641. 1
485584136642. 2
485584136643. 3
485584136644. 4

Question Number : 207 Question Id : 48558434162 Question Type : MCQ Option Shuffling : No Is Question Mandatory : No Calculator : None Response Time : N.A Think Time : N.A Minimum Instruction Time : 0

Correct Marks : 5 Wrong Marks : 1

Question Key Details :

Key	Value
Comprehension	MCQ

Where was the 'Summary Settlement' of 1856 imposed?

1. Jhansi
2. Bengal
3. Kanpur
4. Awadh

Options :

485584136645. 1
485584136646. 2
485584136647. 3
485584136648. 4

Question Number : 208 Question Id : 48558434163 Question Type : MCQ Option Shuffling : No Is Question Mandatory : No Calculator : None Response Time : N.A Think Time : N.A Minimum Instruction Time : 0

Correct Marks : 5 Wrong Marks : 1

Question Key Details :

Key	Value
Comprehension	MCQ

Who went around mobilising the headman and cultivators of Chaurasee des (eighty-four villages) in 1857?

1. Maului Ahmadullah Shah
2. Henry Lawrence
3. Hanwant Singh
4. Shah Mal

Options :

485584136649. 1
485584136650. 2
485584136651. 3
485584136652. 4

Question Number : 209 Question Id : 48558434164 Question Type : MCQ Option Shuffling : No Is Question Mandatory : No Calculator : None Response Time : N.A Think Time : N.A Minimum Instruction Time : 0

Correct Marks : 5 Wrong Marks : 1

Question Key Details :

Key	Value
Comprehension	MCQ

Colonial rule was first established in which part of India?

1. Bombay
2. Madras
3. Bengal
4. Punjab

Options :

485584136653. 1
485584136654. 2
485584136655. 3
485584136656. 4

Question Number : 210 Question Id : 48558434165 Question Type : MCQ Option Shuffling : No Is Question Mandatory : No Calculator : None Response Time : N.A Think Time : N.A Minimum Instruction Time : 0

Correct Marks : 5 Wrong Marks : 1

Question Key Details :

Key	Value
Comprehension	MCQ

Colonial officials were strongly influenced by the ideas of which British economic thinker in 19th-century?

1. Adam Smith
2. J. M. Keynes
3. David Ricardo
4. Thomas Paine

Options :

485584136657. 1
485584136658. 2
485584136659. 3
485584136660. 4

Question Number : 211 Question Id : 48558434166 Question Type : MCQ Option Shuffling : No Is Question Mandatory : No Calculator : None Response Time : N.A Think Time : N.A Minimum Instruction Time : 0

Correct Marks : 5 Wrong Marks : 1

Question Key Details :

Key	Value
Comprehension	MCQ

Where was Satyajit Ray's 'Jalsaghar' filmed?

1. Andul Raj Palace
2. City Palace
3. Rajmahal
4. Jangal Mahal

Options :

485584136661. 1
485584136662. 2
485584136663. 3
485584136664. 4

Question Number : 212 Question Id : 48558434167 Question Type : MCQ Option Shuffling : No Is Question Mandatory : No Calculator : None Response Time : N.A Think Time : N.A Minimum Instruction Time : 0

Correct Marks : 5 Wrong Marks : 1

Question Key Details :

Key	Value
Comprehension	MCQ

Who wrote 'Char Chaman': describing the Mughal nobility?

1. Chandrabahan Barahman
2. Antonio Monserrate
3. Abu'l Hasan
4. Muhammad Husayn

Options :

485584136665. 1
485584136666. 2
485584136667. 3
485584136668. 4

Question Number : 213 Question Id : 48558434168 Question Type : MCQ Option Shuffling : No Is Question Mandatory : No Calculator : None Response Time : N.A Think Time : N.A Minimum Instruction Time : 0

Correct Marks : 5 Wrong Marks : 1

Question Key Details :

Key	Value
Comprehension	MCQ

Which chronicle was gifted by Nawab of Awadh to King George III in 1799.

1. Akbarnama
2. Shahjahan Nama
3. Badshah Nama
4. Alamgir Nama

Options :

485584136669. 1
485584136670. 2
485584136671. 3
485584136672. 4

Question Number : 214 Question Id : 48558434169 Question Type : MCQ Option Shuffling : No Is Question Mandatory : No Calculator : None Response Time : N.A Think Time : N.A Minimum Instruction Time : 0

Correct Marks : 5 Wrong Marks : 1

Question Key Details :

Key	Value
Comprehension	MCQ

What was the meaning of 'Jangama' in 12th-century Karnataka?

1. Sayings
2. Wandering Monks
3. Incarnations
4. Four Thousand Sacred Compositions

Options :

485584136673. 1
485584136674. 2
485584136675. 3
485584136676. 4

Question Number : 215 Question Id : 48558434170 Question Type : MCQ Option Shuffling : No Is Question Mandatory : No Calculator : None Response Time : N.A Think Time : N.A Minimum Instruction Time : 0

Correct Marks : 5 Wrong Marks : 1

Question Key Details :

Key	Value
Comprehension	MCQ

'Kabir Granthavali' is associated with which of the following traditions?

1. Kabirpanth in Varanasi
2. Dadupanth in Rajasthan
3. Kabirpanth in Bengal
4. Kabirvani in Adi Granth Sahib

Options :

485584136677. 1
485584136678. 2
485584136679. 3
485584136680. 4

Question Number : 216 Question Id : 48558434171 Question Type : MCQ Option Shuffling : No Is Question Mandatory : No Calculator : None Response Time : N.A Think Time : N.A Minimum Instruction Time : 0

Correct Marks : 5 Wrong Marks : 1

Question Key Details :

Key	Value
Comprehension	MCQ

'Malfuzat' an important source for constructing history is _____.

1. A record of conversations of sufi saints.
2. A record of agrarian tax.
3. A record of kings announcement.
4. A collection of letters written by sufi saints.

Options :

485584136681. 1
485584136682. 2
485584136683. 3
485584136684. 4

Question Number : 217 Question Id : 48558434172 Question Type : MCQ Option Shuffling : No Is Question Mandatory : No Calculator : None Response Time : N.A Think Time : N.A Minimum Instruction Time : 0

Correct Marks : 5 Wrong Marks : 1

Question Key Details :

Key	Value
Comprehension	MCQ

Who described Mughal cities of the 17th-century as 'Camp Towns'?

1. Francois Bernier
2. Pelsaert
3. Abu'l Fazl
4. Karl Marx

Options :

485584136685. 1
485584136686. 2
485584136687. 3
485584136688. 4

Question Number : 218 Question Id : 48558434173 Question Type : MCQ Option Shuffling : No Is Question Mandatory : No Calculator : None Response Time : N.A Think Time : N.A Minimum Instruction Time : 0

Correct Marks : 5 Wrong Marks : 1

Question Key Details :

Key	Value
Comprehension	MCQ

Who among the following were known as 'materialists' in Sixth BCE India.

1. Ajivikas
2. Lokayatas
3. Buddhists
4. Jains

Options :

485584136689. 1
485584136690. 2
485584136691. 3
485584136692. 4

Question Number : 219 Question Id : 48558434174 Question Type : MCQ Option Shuffling : No Is Question Mandatory : No Calculator : None Response Time : N.A Think Time : N.A Minimum Instruction Time : 0

Correct Marks : 5 Wrong Marks : 1

Question Key Details :

Key	Value
Comprehension	MCQ

Which amongst the following is another name for the 'Buddha'?

1. Tirthankara
2. Theragatha
3. Theravadva
4. Tathagatha

Options :

485584136693. 1
485584136694. 2
485584136695. 3
485584136696. 4

Question Number : 220 Question Id : 48558434175 Question Type : MCQ Option Shuffling : No Is Question Mandatory : No Calculator : None Response Time : N.A Think Time : N.A Minimum Instruction Time : 0

Correct Marks : 5 Wrong Marks : 1

Question Key Details :

Key	Value
Comprehension	MCQ

Who was the first women to be ordained as a 'Bhikkhuni'?

1. Yasodhara
2. Purna
3. Radha
4. Mahapajapati Gotami

Options :

485584136697. 1
485584136698. 2
485584136699. 3
485584136700. 4

Question Number : 221 Question Id : 48558434176 Question Type : MCQ Option Shuffling : No Is Question Mandatory : No Calculator : None Response Time : N.A Think Time : N.A Minimum Instruction Time : 0

Correct Marks : 5 Wrong Marks : 1

Question Key Details :

Key	Value
Comprehension	MCQ

Which of the following suggests that many people who turned to buddhists enriched it with their own Pre-Buddhist beliefs, practices and ideas?

1. Wheel of Dharma
2. Jataka Scenes
3. Shalabhanjika
4. Mahaparinibbana

Options :

485584136701. 1
485584136702. 2
485584136703. 3
485584136704. 4

Question Number : 222 Question Id : 48558434177 Question Type : MCQ Option Shuffling : No Is Question Mandatory : No Calculator : None Response Time : N.A Think Time : N.A Minimum Instruction Time : 0

Correct Marks : 5 Wrong Marks : 1

Question Key Details :

Key	Value
Comprehension	MCQ

Who led a team of dozen scholars in collecting Sanskrit manuscripts and preparing a critical edition of the 'Mahabharata'?

1. V. S. Wakankar
2. B. B. Lal
3. V. S. Sukthankar
4. V. A. Smith

Options :

485584136705. 1
485584136706. 2
485584136707. 3
485584136708. 4

Question Number : 223 Question Id : 48558434178 Question Type : MCQ Option Shuffling : No Is Question Mandatory : No Calculator : None Response Time : N.A Think Time : N.A Minimum Instruction Time : 0

Correct Marks : 5 Wrong Marks : 1

Question Key Details :

Key	Value
Comprehension	MCQ

Asokan inscriptions in the North-West of the subcontinent were written in which of the following languages?

1. Prakrit
2. Pali
3. Aramaic
4. Arad-Magadhi

Options :

485584136709. 1
485584136710. 2
485584136711. 3
485584136712. 4

Question Number : 224 Question Id : 48558434179 Question Type : MCQ Option Shuffling : No Is Question Mandatory : No Calculator : None Response Time : N.A Think Time : N.A Minimum Instruction Time : 0

Correct Marks : 5 Wrong Marks : 1

Question Key Details :

Key	Value
Comprehension	MCQ

Which of the following time period is related to the emergence of early states in Indian history?

1. First Century BCE
2. Sixth Century BCE
3. Eighth Century BCE
4. Tenth Century BCE

Options :

485584136713. 1
485584136714. 2
485584136715. 3
485584136716. 4

Question Number : 225 Question Id : 48558434180 Question Type : MCQ Option Shuffling : No Is Question Mandatory : No Calculator : None Response Time : N.A Think Time : N.A Minimum Instruction Time : 0

Correct Marks : 5 Wrong Marks : 1

Question Key Details :

Key	Value
Comprehension	MCQ

The 'Prayag Prashasti' was composed by the court poet of which of the following kings?

1. Chandragupta
2. Chandragupta Vikramaditya
3. Samudragupta
4. Skandagupta

Options :

485584136717. 1
485584136718. 2
485584136719. 3
485584136720. 4

Question Number : 226 Question Id : 48558434181 Question Type : MCQ Option Shuffling : No Is Question Mandatory : No Calculator : None Response Time : N.A Think Time : N.A Minimum Instruction Time : 0

Correct Marks : 5 Wrong Marks : 1

Question Key Details :

Key	Value
Comprehension	MCQ

Nageshwar and Balakot settlement near the coast in the Harappan Civilisation served as _____.

1. Sources of Carnelian
2. Sources of Lapis Lazuli
3. Centre of shell production
4. Sources of gold

Options :

485584136721. 1
485584136722. 2
485584136723. 3
485584136724. 4

Question Number : 227 Question Id : 48558434182 Question Type : MCQ Option Shuffling : No Is Question Mandatory : No Calculator : None Response Time : N.A Think Time : N.A Minimum Instruction Time : 0

Correct Marks : 5 Wrong Marks : 1

Question Key Details :

Key	Value
Comprehension	MCQ

Evidence of a ploughed field comes from which of the following Harrapan site?

1. Cholistan
2. Amri-Nal
3. Kalibangan
4. Harappa

Options :

485584136725. 1
485584136726. 2
485584136727. 3
485584136728. 4

Question Number : 228 Question Id : 48558434183 Question Type : MCQ Option Shuffling : No Is Question Mandatory : No Calculator : None Response Time : N.A Think Time : N.A Minimum Instruction Time : 0

Correct Marks : 5 Wrong Marks : 1

Question Key Details :

Key	Value
Comprehension	MCQ

Match List I with List II:

LIST I		LIST II	
A.	Dakshyani Velayudhan	I.	Hindustani as language of nation
B.	Hansa Mehta	II.	Removal of social disabilities
C.	R. V. Dhulekar	III.	Justice for women
D.	Shankarrao Deo	IV.	Hindi as national language

Choose the **correct** answer from the options given below:

1. A-II, B-IV, C-I, D-III
2. A-II, B-III, C-IV, D-I
3. A-I, B-II, C-III, D-IV
4. A-I, B-III, C-IV, D-II

Options :

485584136729. 1
485584136730. 2
485584136731. 3
485584136732. 4

Question Number : 229 Question Id : 48558434184 Question Type : MCQ Option Shuffling : No Is Question Mandatory : No Calculator : None Response Time : N.A Think Time : N.A Minimum Instruction Time : 0

Correct Marks : 5 Wrong Marks : 1

Question Key Details :

Key	Value
-----	-------

Match List I with List II:

LIST I		LIST II	
A.	Nageshwar	I.	Steatite
B.	Lothal	II.	Lapis Lazuli
C.	Gujarat	III.	Carnelian
D.	Shortughai	IV.	Shell

Choose the **correct** answer from the options given below:

1. A-IV, B-III, C-I, D-II
2. A-I, B-III, C-IV, D-II
3. A-II, B-I, C-IV, D-III
4. A-IV, B-III, C-I, D-II

Options :

485584136733. 1
 485584136734. 2
 485584136735. 3
 485584136736. 4

Question Number : 230 Question Id : 48558434185 Question Type : MCQ Option Shuffling : No Is Question Mandatory : No Calculator : None Response Time : N.A Think Time : N.A Minimum Instruction Time : 0

Correct Marks : 5 Wrong Marks : 1

Question Key Details :

Key	Value
Comprehension	MCQ

Match List I with List II:

LIST I		LIST II	
A.	Jesuit	I.	Jean-Baptiste Tavernier
B.	French Jeweller	II.	Danishmand Khan
C.	Italian Doctor	III.	Roberto Nobili
D.	Armenian Noble	IV.	Manucci

Choose the **correct** answer from the options given below:

1. A-IV, B-II, C-I, D-III
2. A-III, B-I, C-II, D-IV
3. A-IV, B-I, C-II, D-III
4. A-III, B-I, C-IV, D-II

Options :

- 485584136737. 1
- 485584136738. 2
- 485584136739. 3
- 485584136740. 4

Question Number : 231 Question Id : 48558434186 Question Type : MCQ Option Shuffling : No Is Question Mandatory : No Calculator : None Response Time : N.A Think Time : N.A Minimum Instruction Time : 0

Correct Marks : 5 Wrong Marks : 1

Question Key Details :

Key	Value
Comprehension	MCQ

Match List I with List II:

LIST I		LIST II	
A.	Bargadar	I.	Powerful Zamindar
B.	Raja	II.	Sharecropper
C.	Diku	III.	Strongman of a Zamindar
D.	Lathyal	IV.	Moneylender

Choose the **correct** answer from the options given below:

1. A-I, B-IV, C-II, D-III
2. A-IV, B-II, C-III, D-I
3. A-II, B-I, C-IV, D-III
4. A-IV, B-I, C-II, D-III

Options :

- 485584136741. 1
- 485584136742. 2
- 485584136743. 3
- 485584136744. 4

Question Number : 232 Question Id : 48558434187 Question Type : MCQ Option Shuffling : No Is Question Mandatory : No Calculator : None Response Time : N.A Think Time : N.A Minimum Instruction Time : 0

Correct Marks : 5 Wrong Marks : 1

Question Key Details :

Key	Value
Comprehension	MCQ

Which of the following statements are **True** for the Harappan script?

- A. It contains around 400 signs.
- B. It was written from right to left.
- C. It has been deciphered.
- D. It is alphabetical.

Choose the **correct** answer from the options given below:

- 1. A, D only
- 2. A, B only
- 3. B, C only
- 4. B, D only

Options :

- 485584136745. 1
- 485584136746. 2
- 485584136747. 3
- 485584136748. 4

Question Number : 233 Question Id : 48558434188 Question Type : MCQ Option Shuffling : No Is Question Mandatory : No Calculator : None Response Time : N.A Think Time : N.A Minimum Instruction Time : 0

Correct Marks : 5 Wrong Marks : 1

Question Key Details :

Key	Value
Comprehension	MCQ

Which of the following terms are used for 'peasants' in Indo-Persian sources?

- A. Raiyat
- B. Muzarian
- C. Do-Fasla
- D. Jins-i-Kamil

Choose the **correct** answer from the options given below:

- 1. A, B only
- 2. B, C only
- 3. A, C only
- 4. C, D only

Options :

- 485584136749. 1
- 485584136750. 2
- 485584136751. 3
- 485584136752. 4

Question Number : 234 Question Id : 48558434189 Question Type : MCQ Option Shuffling : No Is Question Mandatory : No Calculator : None Response Time : N.A Think Time : N.A Minimum Instruction Time : 0

Correct Marks : 5 Wrong Marks : 1

Question Key Details :

Key	Value
Comprehension	MCQ

Which of the following were part of the recommendations made by the Constituent Assembly?

- A. Seats in legislature and jobs in government offices be reserved for the lowest caste.
- B. Separate electorates for Depressed Classes.
- C. Hindu temples be thrown open to all castes.
- D. Permanently segregate them from the society.

Choose the **correct** answer from the options given below:

- 1. A, B only
- 2. B, C only
- 3. A, C only
- 4. C, D only

Options :

- 485584136753. 1
- 485584136754. 2
- 485584136755. 3
- 485584136756. 4

Question Number : 235 Question Id : 48558434190 Question Type : MCQ Option Shuffling : No Is Question Mandatory : No Calculator : None Response Time : N.A Think Time : N.A Minimum Instruction Time : 0

Correct Marks : 5 Wrong Marks : 1

Question Key Details :

Key	Value
Comprehension	MCQ

Which of the following sites was of late Harappan occupation?

- A. Sutkagendor
- B. Swat
- C. Jhukar
- D. Shortughai

Choose the **correct** answer from the options given below:

- 1. A, D only
- 2. C, D only
- 3. B, C only
- 4. C, A only

Options :

485584136757. 1
485584136758. 2
485584136759. 3
485584136760. 4

Question Number : 236 Question Id : 48558434191 Question Type : MCQ Option Shuffling : No Is Question Mandatory : No Calculator : None Response Time : N.A Think Time : N.A Minimum Instruction Time : 0

Correct Marks : 5 Wrong Marks : 1

Question Key Details :

Key	Value
Comprehension	MCQ

Arrange the following in a chronological order according to the year of formation.

- A. All-India Muslim League
- B. Hindu Mahasabha
- C. 1937 Provincial Elections
- D. Lucknow Pact

Choose the **correct** answer from the options given below:

- 1. A, B, C, D
- 2. A, B, D, C
- 3. B, A, D, C
- 4. D, C, B, A

Options :

485584136761. 1
485584136762. 2
485584136763. 3
485584136764. 4

Question Number : 237 Question Id : 48558434192 Question Type : MCQ Option Shuffling : No Is Question Mandatory : No Calculator : None Response Time : N.A Think Time : N.A Minimum Instruction Time : 0

Correct Marks : 5 Wrong Marks : 1

Question Key Details :

Key	Value
Comprehension	MCQ

Arrange the following sequentially as per their period of establishment.

- A. Setting up of Supreme Court, Calcutta.
- B. Universities in Bombay, Madras, Calcutta.
- C. Formation of the Asiatic Society in Bengal.
- D. The British in Bombay.

Choose the **correct** answer from the options given below:

- 1. C, B, D, A
- 2. C, B, A, D
- 3. D, A, C, B
- 4. B, C, A, D

Options :

- 485584136765. 1
- 485584136766. 2
- 485584136767. 3
- 485584136768. 4

Question Number : 238 Question Id : 48558434193 Question Type : MCQ Option Shuffling : No Is Question Mandatory : No Calculator : None Response Time : N.A Think Time : N.A Minimum Instruction Time : 0

Correct Marks : 5 Wrong Marks : 1

Question Key Details :

Key	Value
Comprehension	MCQ

Arrange the following in a hierarchal order in context of British India Company Rule.

- A. Ryots
- B. Jotedars
- C. The Permanent Settlement
- D. Zamindar

Choose the **correct** answer from the options given below:

- 1. C, B, A, D
- 2. D, B, C, A
- 3. C, D, B, A
- 4. A, C, B, A

Options :

- 485584136769. 1
- 485584136770. 2
- 485584136771. 3
- 485584136772. 4

Question Number : 239 Question Id : 48558434194 Question Type : MCQ Option Shuffling : No Is Question Mandatory : No Calculator : None Response Time : N.A Think Time : N.A Minimum Instruction Time : 0

Correct Marks : 5 Wrong Marks : 1

Question Key Details :

Key	Value
Comprehension	MCQ

Arrange the following sequentially according to their period of completion.

- A. Alamgir Nama
- B. Badshah Nama
- C. Akbar Nama
- D. Humayun Nama

Choose the **correct** answer from the options given below:

- 1. C, D, B, A
- 2. D, C, A, B
- 3. C, D, A, B
- 4. A, D, C, B

Options :

- 485584136773. 1
- 485584136774. 2
- 485584136775. 3
- 485584136776. 4

Question Number : 240 Question Id : 48558434195 Question Type : MCQ Option Shuffling : No Is Question Mandatory : No Calculator : None Response Time : N.A Think Time : N.A Minimum Instruction Time : 0

Correct Marks : 5 Wrong Marks : 1

Question Key Details :

Key	Value
Comprehension	MCQ

Arrange the following sequentially in relation to the preservation of Early monuments:

- A. Foundation of Indian Museum, Calcutta.
- B. James Fergusson's Survey
- C. H.H. Cole Appointed as Curator of Ancient Monument.
- D. Passing of Treasure Trove Act.

Choose the correct answer from the options given below:

- 1. A, C, B, D
- 2. A, B, C, D
- 3. B, C, A, D
- 4. D, A, B, C

Options :

485584136777. 1
485584136778. 2
485584136779. 3
485584136780. 4

Sub-Section Number : 2
Sub-Section Id : 4855842540
Question Shuffling Allowed : No
Is Section Default? : null

Question Number : 241 Question Id : 48558434196 Question Type : MCQ Option Shuffling : No Is Question Mandatory : No Calculator : None Response Time : N.A Think Time : N.A Minimum Instruction Time : 0

Correct Marks : 5 Wrong Marks : 1

Question Key Details :

Key	Value
Comprehension	Comp1

Read the passage and answer the questions:

Temple building in the region had a long history, going back to dynasties such as the Pallavas, Chalukyas, Hoysalas and Cholas. Rulers very often encouraged temple building as a means of associating themselves with the divine - often, the deity was explicitly or implicitly identified with the king. Temples also functioned as centres of learning. Besides, rulers and others often granted land and other resources for the maintenance of temples. Consequently, temples developed as significant religious, social, cultural and economic centres. From the point of view of the rulers, constructing, repairing and maintaining temples were important means of winning support and recognition for their power, wealth and piety.

What was the 'Kalyana mandapa' used for?

1. To worship the image of God.
2. To celebrate divine weddings.
3. For dance and music performances.
4. For drama performances.

Options :

485584136781. 1
485584136782. 2
485584136783. 3
485584136784. 4

Question Number : 242 Question Id : 48558434197 Question Type : MCQ Option Shuffling : No Is Question Mandatory : No Calculator : None Response Time : N.A Think Time : N.A Minimum Instruction Time : 0

Correct Marks : 5 Wrong Marks : 1

Question Key Details :

Key	Value
Comprehension	Comp1

Read the passage and answer the questions:

Temple building in the region had a long history, going back to dynasties such as the Pallavas, Chalukyas, Hoysalas and Cholas. Rulers very often encouraged temple building as a means of associating themselves with the divine - often, the deity was explicitly or implicitly identified with the king. Temples also functioned as centres of learning. Besides, rulers and others often granted land and other resources for the maintenance of temples. Consequently, temples developed as significant religious, social, cultural and economic centres. From the point of view of the rulers, constructing, repairing and maintaining temples were important means of winning support and recognition for their power, wealth and piety.

Krishnadeva Raya built a hall in front of the main shrine of which of the following temples to mark his accession?

1. Hazara Rama Temple
2. Vithala Temple
3. Virupaksha Temple
4. Chidambaram Temple

Options :

485584136785. 1
485584136786. 2
485584136787. 3
485584136788. 4

Question Number : 243 Question Id : 48558434198 Question Type : MCQ Option Shuffling : No Is Question Mandatory : No Calculator : None Response Time : N.A Think Time : N.A Minimum Instruction Time : 0

Correct Marks : 5 Wrong Marks : 1

Question Key Details :

Key	Value
Comprehension	Comp1

Read the passage and answer the questions:

Temple building in the region had a long history, going back to dynasties such as the Pallavas, Chalukyas, Hoysalas and Cholas. Rulers very often encouraged temple building as a means of associating themselves with the divine - often, the deity was explicitly or implicitly identified with the king. Temples also functioned as centres of learning. Besides, rulers and others often granted land and other resources for the maintenance of temples. Consequently, temples developed as significant religious, social, cultural and economic centres. From the point of view of the rulers, constructing, repairing and maintaining temples were important means of winning support and recognition for their power, wealth and piety.

Which of the following temple has a shrine designed as a 'chariot'?

1. Brihadeshvara Temple
2. Chidambaram Temple
3. Virupaksha Temple
4. Vitthala Temple

Options :

485584136789. 1
485584136790. 2
485584136791. 3
485584136792. 4

Question Number : 244 Question Id : 48558434199 Question Type : MCQ Option Shuffling : No Is Question Mandatory : No Calculator : None Response Time : N.A Think Time : N.A Minimum Instruction Time : 0

Correct Marks : 5 Wrong Marks : 1

Question Key Details :

Key	Value
Comprehension	Comp1

Read the passage and answer the questions:

Temple building in the region had a long history, going back to dynasties such as the Pallavas, Chalukyas, Hoysalas and Cholas. Rulers very often encouraged temple building as a means of associating themselves with the divine - often, the deity was explicitly or implicitly identified with the king. Temples also functioned as centres of learning. Besides, rulers and others often granted land and other resources for the maintenance of temples. Consequently, temples developed as significant religious, social, cultural and economic centres. From the point of view of the rulers, constructing, repairing and maintaining temples were important means of winning support and recognition for their power, wealth and piety.

Which of the following temple portrays sculpture of scenes from the Ramayana?

1. Vitthala Temple
2. Hazar Rama Temple
3. Pampadevi Temple
4. Virupaksha Temple

Options :

485584136793. 1
485584136794. 2
485584136795. 3
485584136796. 4

Question Number : 245 Question Id : 48558434200 Question Type : MCQ Option Shuffling : No Is Question Mandatory : No Calculator : None Response Time : N.A Think Time : N.A Minimum Instruction Time : 0

Correct Marks : 5 Wrong Marks : 1

Question Key Details :

Key	Value
Comprehension	Comp1

Read the passage and answer the questions:

Temple building in the region had a long history, going back to dynasties such as the Pallavas, Chalukyas, Hoysalas and Cholas. Rulers very often encouraged temple building as a means of associating themselves with the divine - often, the deity was explicitly or implicitly identified with the king. Temples also functioned as centres of learning. Besides, rulers and others often granted land and other resources for the maintenance of temples. Consequently, temples developed as significant religious, social, cultural and economic centres. From the point of view of the rulers, constructing, repairing and maintaining temples were important means of winning support and recognition for their power, wealth and piety.

"In our study of these monuments of Vijayanagara we have to imagine a whole series of vanished wooden elements...." Who amongst the following stated these lines?

- A. J. F. Fleet
- B. George Michell
- C. M.S. Nagaraja
- D. Fernao Nuniz

Choose the **correct** answer from the options given below:

- 1. A, B only
- 2. B, C only
- 3. C, D only
- 4. B, D only

Options :

- 485584136797. 1
- 485584136798. 2
- 485584136799. 3
- 485584136800. 4

Sub-Section Number : 3
Sub-Section Id : 4855842541
Question Shuffling Allowed : No
Is Section Default? : null

Question Number : 246 Question Id : 48558434201 Question Type : MCQ Option Shuffling : No Is Question Mandatory : No Calculator : None Response Time : N.A Think Time : N.A Minimum Instruction Time : 0

Correct Marks : 5 Wrong Marks : 1

Question Key Details :

Key	Value
Comprehension	Comp2

Read the passage and answer the questions:

In January 1915, Mohandas Karamchand Gandhi returned to his homeland after two decades of residence abroad. These years had been spent for the most part in South Africa, where he went as a lawyer, and in time became a leader of the Indian community in that territory. As the historian Chandran Devanesan has remarked, South Africa was "the making of the Mahatma". It was in South Africa that Mahatma Gandhi first forged the distinctive techniques of non-violent protest known as satyagraha, first promoted harmony between religions, and first alerted upper-caste Indians to their discriminatory treatment of low castes and women.

In 1915, Mahatma Gandhi returned to India from which country?

1. England
2. South Africa
3. Mexico
4. Kenya

Options :

485584136801. 1
485584136802. 2
485584136803. 3
485584136804. 4

Question Number : 247 Question Id : 48558434202 Question Type : MCQ Option Shuffling : No Is Question Mandatory : No Calculator : None Response Time : N.A Think Time : N.A Minimum Instruction Time : 0

Correct Marks : 5 Wrong Marks : 1

Question Key Details :

Key	Value
Comprehension	Comp2

Read the passage and answer the questions:

In January 1915, Mohandas Karamchand Gandhi returned to his homeland after two decades of residence abroad. These years had been spent for the most part in South Africa, where he went as a lawyer, and in time became a leader of the Indian community in that territory. As the historian Chandran Devanesan has remarked, South Africa was "the making of the Mahatma". It was in South Africa that Mahatma Gandhi first forged the distinctive techniques of non-violent protest known as satyagraha, first promoted harmony between religions, and first alerted upper-caste Indians to their discriminatory treatment of low castes and women.

Where was the technique of 'satyagraha' invented?

1. Ahmedabad
2. Champaran
3. Kheda
4. South Africa

Options :

485584136805. 1
485584136806. 2
485584136807. 3
485584136808. 4

Question Number : 248 Question Id : 48558434203 Question Type : MCQ Option Shuffling : No Is Question Mandatory : No Calculator : None Response Time : N.A Think Time : N.A Minimum Instruction Time : 0

Correct Marks : 5 Wrong Marks : 1

Question Key Details :

Key	Value
Comprehension	Comp2

Read the passage and answer the questions:

In January 1915, Mohandas Karamchand Gandhi returned to his homeland after two decades of residence abroad. These years had been spent for the most part in South Africa, where he went as a lawyer, and in time became a leader of the Indian community in that territory. As the historian Chandran Devanesan has remarked, South Africa was "the making of the Mahatma". It was in South Africa that Mahatma Gandhi first forged the distinctive techniques of non-violent protest known as satyagraha, first promoted harmony between religions, and first alerted upper-caste Indians to their discriminatory treatment of low castes and women.

Where did Mahatma Gandhi give his first public appearance after returning to India?

1. Kheda
2. Ahmedabad
3. Champaran
4. Banaras

Options :

485584136809. 1
485584136810. 2
485584136811. 3
485584136812. 4

Question Number : 249 Question Id : 48558434204 Question Type : MCQ Option Shuffling : No Is Question Mandatory : No Calculator : None Response Time : N.A Think Time : N.A Minimum Instruction Time : 0

Correct Marks : 5 Wrong Marks : 1

Question Key Details :

Key	Value
Comprehension	Comp2

Read the passage and answer the questions:

In January 1915, Mohandas Karamchand Gandhi returned to his homeland after two decades of residence abroad. These years had been spent for the most part in South Africa, where he went as a lawyer, and in time became a leader of the Indian community in that territory. As the historian Chandran Devanesan has remarked, South Africa was "the making of the Mahatma". It was in South Africa that Mahatma Gandhi first forged the distinctive techniques of non-violent protest known as satyagraha, first promoted harmony between religions, and first alerted upper-caste Indians to their discriminatory treatment of low castes and women.

Which historian remarked that South Africa was "the making of the Mahatma"?

1. Chandran Devanesan
2. Irfan Habib
3. Romila Thapar
4. Seema Alavi

Options :

- 485584136813. 1
- 485584136814. 2
- 485584136815. 3
- 485584136816. 4

Question Number : 250 Question Id : 48558434205 Question Type : MCQ Option Shuffling : No Is Question Mandatory : No Calculator : None Response Time : N.A Think Time : N.A Minimum Instruction Time : 0

Correct Marks : 5 Wrong Marks : 1

Question Key Details :

Key	Value
Comprehension	Comp2

Read the passage and answer the questions:

In January 1915, Mohandas Karamchand Gandhi returned to his homeland after two decades of residence abroad. These years had been spent for the most part in South Africa, where he went as a lawyer, and in time became a leader of the Indian community in that territory. As the historian Chandran Devanesan has remarked, South Africa was "the making of the Mahatma". It was in South Africa that Mahatma Gandhi first forged the distinctive techniques of non-violent protest known as satyagraha, first promoted harmony between religions, and first alerted upper-caste Indians to their discriminatory treatment of low castes and women.

Who was Gandhi's political mentor after his return from South Africa?

1. Mohammad Ali Jinnah
2. Gopal Krsihna Gokhale
3. Bipin Chadra Pal
4. Bal Gangadhar Tilak

Options :

485584136817. 1
485584136818. 2
485584136819. 3
485584136820. 4

KTPI

Group Number : 11
Group Id : 485584778
Group Maximum Duration : 45
Group Minimum Duration : 45
Show Attended Group? : No
Edit Attended Group? : No
Break time : 0
Group Marks : 200
Is this Group for Examiner? : No
Examiner permission : Cant View
Show Progress Bar? : No

KTPI

Section Id : 485584896
Section Number : 1
Section type : Online
Mandatory or Optional : Mandatory
Number of Questions : 50
Number of Questions to be attempted : 40
Section Marks : 200
Enable Mark as Answered Mark for Review and Clear Response : Yes
Maximum Instruction Time : 0
Sub-Section Number : 1
Sub-Section Id : 4855842542
Question Shuffling Allowed : Yes
Is Section Default? : null

Question Number : 251 Question Id : 48558434256 Question Type : MCQ Option Shuffling : No Is Question Mandatory : No Calculator : None Response Time : N.A Think Time : N.A Minimum Instruction Time : 0

Correct Marks : 5 Wrong Marks : 1

Question Key Details :

Key	Value
Comprehension	MCQ

How many purusarthas are defined in Hindu way of life?

1. 5
2. 4
3. 2
4. 3

Options :

- 485584137021. 1
- 485584137022. 2
- 485584137023. 3
- 485584137024. 4

Question Number : 251 Question Id : 48558434256 Question Type : MCQ Option Shuffling : No Is Question Mandatory : No Calculator : None Response Time : N.A Think Time : N.A Minimum Instruction Time : 0

Correct Marks : 5 Wrong Marks : 1

Question Key Details :

Key	Value
Comprehension	MCQ

હિંદુ જીવનશૈલીમાં કેટલા પૂરુષાર્થોની વ્યાખ્યા કરવામાં આવી છે ?

- 1. 5
- 2. 4
- 3. 2
- 4. 3

Options :

- 485584137021. 1
- 485584137022. 2
- 485584137023. 3
- 485584137024. 4

Question Number : 252 Question Id : 48558434257 Question Type : MCQ Option Shuffling : No Is Question Mandatory : No Calculator : None Response Time : N.A Think Time : N.A Minimum Instruction Time : 0

Correct Marks : 5 Wrong Marks : 1

Question Key Details :

Key	Value
Comprehension	MCQ

The word Dhamma is used in :

- 1. Rgveda
- 2. Bhagavad-Gita
- 3. Jain Ethics
- 4. Buddhism

Options :

- 485584137025. 1
- 485584137026. 2
- 485584137027. 3
- 485584137028. 4

Question Number : 252 Question Id : 48558434257 Question Type : MCQ Option Shuffling : No Is Question Mandatory : No Calculator : None Response Time : N.A Think Time : N.A Minimum Instruction Time : 0

Correct Marks : 5 Wrong Marks : 1

Question Key Details :

Key	Value
Comprehension	MCQ

મોં Dhamma શબ્દનો ઉપયોગ થાય છે.

1. ઋગ્વેદ
2. ભગવદ ગીતા
3. જૈન નીતિશાસ્ત્ર
4. બૌદ્ધ ધર્મ

Options :

485584137025. 1
485584137026. 2
485584137027. 3
485584137028. 4

Question Number : 253 Question Id : 48558434258 Question Type : MCQ Option Shuffling : No Is Question Mandatory : No Calculator : None Response Time : N.A Think Time : N.A Minimum Instruction Time : 0

Correct Marks : 5 Wrong Marks : 1

Question Key Details :

Key	Value
Comprehension	MCQ

Which stage of life is the grahastha, stage of the householder in the Hindu way of life?

1. 4
2. 2
3. 1
4. 3

Options :

485584137029. 1
485584137030. 2
485584137031. 3
485584137032. 4

Question Number : 253 Question Id : 48558434258 Question Type : MCQ Option Shuffling : No Is Question Mandatory : No Calculator : None Response Time : N.A Think Time : N.A Minimum Instruction Time : 0

Correct Marks : 5 Wrong Marks : 1

Question Key Details :

Key	Value
Comprehension	MCQ

હિંદુ જીવન પદ્ધતિમાં ગૃહસ્થ જીવનનો કયો તબક્કો છે ?

1. 4
2. 2
3. 1
4. 3

Options :

485584137029. 1
485584137030. 2
485584137031. 3
485584137032. 4

Question Number : 254 Question Id : 48558434259 Question Type : MCQ Option Shuffling : No Is Question Mandatory : No Calculator : None Response Time : N.A Think Time : N.A Minimum Instruction Time : 0

Correct Marks : 5 Wrong Marks : 1

Question Key Details :

Key	Value
Comprehension	MCQ

Who among the following is associated with Niti Satakam?

1. Vidur
2. Sukracarya
3. Bhartrhari
4. King Bhoja

Options :

485584137033. 1
485584137034. 2
485584137035. 3
485584137036. 4

Question Number : 254 Question Id : 48558434259 Question Type : MCQ Option Shuffling : No Is Question Mandatory : No Calculator : None Response Time : N.A Think Time : N.A Minimum Instruction Time : 0

Correct Marks : 5 Wrong Marks : 1

Question Key Details :

Key	Value
Comprehension	MCQ

નીચેનામાંથી કોણ નીતિ સતકામ સાથે સંકળાયેલુ છે ?

1. વિરુદ્ધ
2. સુક્રાચાર્ય
3. ભરથરી
4. રાજા ભોજ

Options :

485584137033. 1
485584137034. 2
485584137035. 3
485584137036. 4

Question Number : 255 Question Id : 48558434260 Question Type : MCQ Option Shuffling : No Is Question Mandatory : No Calculator : None Response Time : N.A Think Time : N.A Minimum Instruction Time : 0

Correct Marks : 5 Wrong Marks : 1

Question Key Details :

Key	Value
Comprehension	MCQ

Which among the following is the basis of the Buddhist ethics?

1. Compassion
2. Friendliness
3. Good will
4. Four Noble Truths

Options :

485584137037. 1
485584137038. 2
485584137039. 3
485584137040. 4

Question Number : 255 Question Id : 48558434260 Question Type : MCQ Option Shuffling : No Is Question Mandatory : No Calculator : None Response Time : N.A Think Time : N.A Minimum Instruction Time : 0

Correct Marks : 5 Wrong Marks : 1

Question Key Details :

Key	Value
Comprehension	MCQ

નીચેનામાંથી કયો બૌદ્ધ નીતિશાસ્ત્રનો આધાર છે ?

1. કરુણા
2. મિત્રતા
3. પ્રતિષ્ઠા
4. ચાર ઉમદા સત્યો

Options :

485584137037. 1
485584137038. 2
485584137039. 3
485584137040. 4

Question Number : 256 Question Id : 48558434261 Question Type : MCQ Option Shuffling : No Is Question Mandatory : No Calculator : None Response Time : N.A Think Time : N.A Minimum Instruction Time : 0

Correct Marks : 5 Wrong Marks : 1

Question Key Details :

Key	Value
Comprehension	MCQ

In which age the tradition of excavating cave temples and monolithic shrines evolved into the construction of brick and stone temple

1. Maurya age
2. Gupta age
3. Kushan age
4. Mughal age

Options :

485584137041. 1
485584137042. 2
485584137043. 3
485584137044. 4

Question Number : 256 Question Id : 48558434261 Question Type : MCQ Option Shuffling : No Is Question Mandatory : No Calculator : None Response Time : N.A Think Time : N.A Minimum Instruction Time : 0

Correct Marks : 5 Wrong Marks : 1

Question Key Details :

Key	Value
Comprehension	MCQ

કય યુગમાં ગુફા મંદિરો અને મોનો લીથીક મંદિરો ખોદવાની પરંપરા ઇંટ અને પથ્થરના બાંધકામમાં વિકસિત થઈ ?

1. મૈર્ય યુગ
2. ગુપ્તા યુગ
3. કુશન યુગ
4. મુઘલ યુગ

Options :

485584137041. 1
485584137042. 2
485584137043. 3
485584137044. 4

Question Number : 257 Question Id : 48558434262 Question Type : MCQ Option Shuffling : No Is Question Mandatory : No Calculator : None Response Time : N.A Think Time : N.A Minimum Instruction Time : 0

Correct Marks : 5 Wrong Marks : 1

Question Key Details :

Key	Value
Comprehension	MCQ

Match List I with List II

LIST I		LIST II	
A.	Kuchipudi	I.	Uttar Pradesh
B.	Sattriya	II.	Tamil Nadu
C.	Kathak	III.	Andhra Pradesh
D.	Bharatanatyam	IV.	Assam

Choose the correct answer from the options given below:

1. A-III, B-I, C-IV, D-II
2. A-IV, B-II, C-I, D-III
3. A-III, B-IV, C-I, D-II
4. A-I, B-III, C-II, D-IV

Options :

485584137045. 1
485584137046. 2
485584137047. 3
485584137048. 4

Question Number : 257 Question Id : 48558434262 Question Type : MCQ Option Shuffling : No Is Question Mandatory : No Calculator : None Response Time : N.A Think Time : N.A Minimum Instruction Time : 0

Correct Marks : 5 Wrong Marks : 1

Question Key Details :

Key	Value
Comprehension	MCQ

સૂચિ I સાથે સૂચિ II ને જોડો.

સૂચિ I		સૂચિ II	
A.	કુચીપુડી	I.	ઉત્તર પ્રદેશ
B.	ક્ષત્રિય	II.	તમીલ નાણુ
C.	કથન	III.	આંધ્ર પ્રદેશ
D.	ભરતનાટ્યમ	IV.	આસામ

નીચે આપેલા વિકલ્પોમાંથી સાચો જવાબ પસંદ કરો.

1. A-III, B-I, C-IV, D-II
2. A-IV, B-II, C-I, D-III
3. A-III, B-IV, C-I, D-II
4. A-I, B-III, C-II, D-IV

Options :

485584137045. 1
485584137046. 2
485584137047. 3
485584137048. 4

Question Number : 258 Question Id : 48558434263 Question Type : MCQ Option Shuffling : No Is Question Mandatory : No Calculator : None Response Time : N.A Think Time : N.A Minimum Instruction Time : 0 Correct Marks : 5 Wrong Marks : 1

Question Key Details :

Key	Value
Comprehension	MCQ

In India where do you find sculptures depicting odissi style?

1. Caves of Ellora
2. Caves of Udayagiri and Khandagiri
3. Caves of Ajanta
4. Caves of Nilgiri

Options :

485584137049. 1
485584137050. 2
485584137051. 3
485584137052. 4

Question Number : 258 Question Id : 48558434263 Question Type : MCQ Option Shuffling : No Is Question Mandatory : No Calculator : None Response Time : N.A Think Time : N.A Minimum Instruction Time : 0 Correct Marks : 5 Wrong Marks : 1

Question Key Details :

Key	Value
Comprehension	MCQ

ભારતમાં તમને ઓડિસાં શૈલી દર્શાવતી શિલ્પો કયા મળે છે ?

1. ઈલોરાની ગુફાઓ
2. ઉદયગીરી અને ખાંડગીરીની ગુફાઓ
3. અજંતાની ગુફાઓ
4. નીલગીરીની ગુફાઓ

Options :

485584137049. 1
485584137050. 2
485584137051. 3
485584137052. 4

Question Number : 259 Question Id : 48558434264 Question Type : MCQ Option Shuffling : No Is Question Mandatory : No Calculator : None Response Time : N.A Think Time : N.A Minimum Instruction Time : 0

Correct Marks : 5 Wrong Marks : 1

Question Key Details :

Key	Value
Comprehension	MCQ

In 1930s, E. Krishna Iyer and Rukmini Devi Arundale renamed Sadirattam as _____?

1. Odissi
2. Kucipudi
3. Manipuri
4. Bharatanatyam

Options :

485584137053. 1
485584137054. 2
485584137055. 3
485584137056. 4

Question Number : 259 Question Id : 48558434264 Question Type : MCQ Option Shuffling : No Is Question Mandatory : No Calculator : None Response Time : N.A Think Time : N.A Minimum Instruction Time : 0

Correct Marks : 5 Wrong Marks : 1

Question Key Details :

Key	Value
Comprehension	MCQ

1930 માં ઈ કૃષ્ણ ઐયર અને રુકિમણી દેવી અરુંદલેએ સાદીરતમનું નામ બદલાતે _____ રાખ્યું

1. ઓડીસો
2. કુચીપૂડી
3. મનીપુરી
4. ભરતનાટ્યમ

Options :

485584137053. 1
485584137054. 2
485584137055. 3
485584137056. 4

Question Number : 260 Question Id : 48558434265 Question Type : MCQ Option Shuffling : No Is Question Mandatory : No Calculator : None Response Time : N.A Think Time : N.A Minimum Instruction Time : 0

Correct Marks : 5 Wrong Marks : 1

Question Key Details :

Key	Value
Comprehension	MCQ

The (Brhadesvara) temple of Thanjavur belongs to which century?

1. 9th century
2. 10th Century
3. 11th Century
4. 12th Century

Options :

485584137057. 1
485584137058. 2
485584137059. 3
485584137060. 4

Question Number : 260 Question Id : 48558434265 Question Type : MCQ Option Shuffling : No Is Question Mandatory : No Calculator : None Response Time : N.A Think Time : N.A Minimum Instruction Time : 0

Correct Marks : 5 Wrong Marks : 1

Question Key Details :

Key	Value
Comprehension	MCQ

યંજાવુરનું (બૃહદેશ્વર) મંદિર કઈ સદીનું છે ?

1. 9મી સદી
2. 10મી સદી
3. 11મી સદી
4. 12મી સદી

Options :

485584137057. 1
485584137058. 2
485584137059. 3
485584137060. 4

Question Number : 261 Question Id : 48558434266 Question Type : MCQ Option Shuffling : No Is Question Mandatory : No Calculator : None Response Time : N.A Think Time : N.A Minimum Instruction Time : 0

Correct Marks : 5 Wrong Marks : 1

Question Key Details :

Key	Value
Comprehension	MCQ

Dharma required all including students in the ancient days to perform their

1. Work
2. Skills
3. Duty
4. Prayers

Options :

485584137061. 1
485584137062. 2
485584137063. 3
485584137064. 4

Question Number : 261 Question Id : 48558434266 Question Type : MCQ Option Shuffling : No Is Question Mandatory : No Calculator : None Response Time : N.A Think Time : N.A Minimum Instruction Time : 0

Correct Marks : 5 Wrong Marks : 1

Question Key Details :

Key	Value
Comprehension	MCQ

ધર્મ માટે પ્રાચીન દિવસોમાં વિદ્યાર્થીઓ સહિત તમામને પાલન કરવું જરૂરી હતું તે,

1. કામ
2. કુશળતા
3. ફરજ
4. પ્રાર્થના

Options :

485584137061. 1
485584137062. 2
485584137063. 3
485584137064. 4

Question Number : 262 Question Id : 48558434267 Question Type : MCQ Option Shuffling : No Is Question Mandatory : No Calculator : None Response Time : N.A Think Time : N.A Minimum Instruction Time : 0

Correct Marks : 5 Wrong Marks : 1

Question Key Details :

Key	Value
Comprehension	MCQ

The Sastras are classified into:

1. Sastra and Kavya
2. Pauruseya and Apauruseya
3. Vedas and Vedangas
4. Siksa and Kalpa

Options :

485584137065. 1
485584137066. 2
485584137067. 3
485584137068. 4

Question Number : 262 Question Id : 48558434267 Question Type : MCQ Option Shuffling : No Is Question Mandatory : No Calculator : None Response Time : N.A Think Time : N.A Minimum Instruction Time : 0

Correct Marks : 5 Wrong Marks : 1

Question Key Details :

Key	Value
Comprehension	MCQ

માં શાસ્ત્રોનું વર્ગીકરણ કરવામાં આવ્યું છે.

1. શાસ્ત્ર અને કાવ્ય
2. પૌરૂ સેયા અને અપૌરૂસેયા
3. વેદ અને વેદાંગા
4. શિક્ષા અને કલ્પ

Options :

485584137065. 1
485584137066. 2
485584137067. 3
485584137068. 4

Question Number : 263 Question Id : 48558434268 Question Type : MCQ Option Shuffling : No Is Question Mandatory : No Calculator : None Response Time : N.A Think Time : N.A Minimum Instruction Time : 0

Correct Marks : 5 Wrong Marks : 1

Question Key Details :

Key	Value
Comprehension	MCQ

Which among the following is not a part of Vedanga?

1. Siksa
2. Kavya
3. Kalpa
4. Vyakarana

Options :

485584137069. 1
485584137070. 2
485584137071. 3
485584137072. 4

Question Number : 263 Question Id : 48558434268 Question Type : MCQ Option Shuffling : No Is Question Mandatory : No Calculator : None Response Time : N.A Think Time : N.A Minimum Instruction Time : 0

Correct Marks : 5 Wrong Marks : 1

Question Key Details :

Key	Value
Comprehension	MCQ

नीचेनामांथी कयो वेदांगनो भाग नथी ?

1. शिक्षा
2. काव्य
3. कल्प
4. व्याकरण

Options :

485584137069. 1
485584137070. 2
485584137071. 3
485584137072. 4

Question Number : 264 Question Id : 48558434269 Question Type : MCQ Option Shuffling : No Is Question Mandatory : No Calculator : None Response Time : N.A Think Time : N.A Minimum Instruction Time : 0

Correct Marks : 5 Wrong Marks : 1

Question Key Details :

Key	Value
Comprehension	MCQ

Pauruseya literature is also known as

1. Sruti literature
2. Sastrartha
3. Kavya
4. Smriti Literature

Options :

485584137073. 1
485584137074. 2
485584137075. 3
485584137076. 4

Question Number : 264 Question Id : 48558434269 Question Type : MCQ Option Shuffling : No Is Question Mandatory : No Calculator : None Response Time : N.A Think Time : N.A Minimum Instruction Time : 0

Correct Marks : 5 Wrong Marks : 1

Question Key Details :

Key	Value
Comprehension	MCQ

ના તરીકે પણ પૌરુસેયા સાહિત્ય ઓળખાય છે.

1. શ્રુતિ સાહિત્ય
2. શાસ્ત્રાર્થ
3. કાવ્ય
4. સ્મૃતિ સાહિત્ય

Options :

485584137073. 1
485584137074. 2
485584137075. 3
485584137076. 4

Question Number : 265 Question Id : 48558434270 Question Type : MCQ Option Shuffling : No Is Question Mandatory : No Calculator : None Response Time : N.A Think Time : N.A Minimum Instruction Time : 0

Correct Marks : 5 Wrong Marks : 1

Question Key Details :

Key	Value
Comprehension	MCQ

Which among the following is not a stage of path to knowledge as given in the Brhadaranyaka upanisad?

1. Sravana
2. Sastrartha
3. Manana
4. Nidhidhyasana

Options :

485584137077. 1
485584137078. 2
485584137079. 3
485584137080. 4

Question Number : 265 Question Id : 48558434270 Question Type : MCQ Option Shuffling : No Is Question Mandatory : No Calculator : None Response Time : N.A Think Time : N.A Minimum Instruction Time : 0

Correct Marks : 5 Wrong Marks : 1

Question Key Details :

Key	Value
Comprehension	MCQ

नीचेनामांथी कयो ब्रह्मदारण्य उपनिषदमां आपेव ज्ञानना मार्गनो तबक्को नथी ?

1. श्रावण
2. शा स्त्रार्थ
3. मनन
4. निदिध्यासन

Options :

485584137077. 1
485584137078. 2
485584137079. 3
485584137080. 4

Question Number : 266 Question Id : 48558434271 Question Type : MCQ Option Shuffling : No Is Question Mandatory : No Calculator : None Response Time : N.A Think Time : N.A Minimum Instruction Time : 0

Correct Marks : 5 Wrong Marks : 1

Question Key Details :

Key	Value
Comprehension	MCQ

Arrange the four ends of life (Purusartha Catustaya) in sequence.

- A. Kama
- B. Moksa
- C. Artha
- D. Dharma

Choose the correct answer from the options given below:

1. A, B, D, C
2. B, C, A, D
3. D, C, A, B
4. C, A, B, D

Options :

485584137081. 1
485584137082. 2
485584137083. 3
485584137084. 4

Question Number : 266 Question Id : 48558434271 Question Type : MCQ Option Shuffling : No Is Question Mandatory : No Calculator : None Response Time : N.A Think Time : N.A Minimum Instruction Time : 0

Correct Marks : 5 Wrong Marks : 1

Question Key Details :

Key	Value
Comprehension	MCQ

જીવનના ચાર છેડા (Purusartha Catustaya) ને ક્રમમાં ગોઠવો.

- A. કામ
- B. મોક્ષ
- C. અર્થ
- D. ધર્મ

નીચે આપેલા વિકલ્પોમાંથી સાચો જવાબ પસંદ કરો.

- 1. A, B, D, C
- 2. B, C, A, D
- 3. D, C, A, B
- 4. C, A, B, D

Options :

- 485584137081. 1
- 485584137082. 2
- 485584137083. 3
- 485584137084. 4

Question Number : 267 Question Id : 48558434272 Question Type : MCQ Option Shuffling : No Is Question Mandatory : No Calculator : None Response Time : N.A Think Time : N.A Minimum Instruction Time : 0

Correct Marks : 5 Wrong Marks : 1

Question Key Details :

Key	Value
Comprehension	MCQ

Name the Chinese Scholars who visited Nalanda in the 7th century CE.

- A. I-tsing
- B. Hsuan-tsang
- C. Ba Jin
- D. Kang Youwei

Choose the correct answer from the options given below:

- 1. A and B only
- 2. B and C only
- 3. C and D only
- 4. D and A only

Options :

- 485584137085. 1
- 485584137086. 2
- 485584137087. 3
- 485584137088. 4

Question Number : 267 Question Id : 48558434272 Question Type : MCQ Option Shuffling : No Is Question Mandatory : No Calculator : None Response Time : N.A Think Time : N.A Minimum Instruction Time : 0

Correct Marks : 5 Wrong Marks : 1

Question Key Details :

Key	Value
Comprehension	MCQ

ઈ.સ. 7મી સદીમાં નાલંદાની મુલાકાત લેનારા ચીની વિદ્વાનોના નામ જણાવો.

- A. I-tsing
- B. Hsuan-tsang
- C. Ba Jin
- D. Kang Youwei

નીચે આપેલા વિકલ્પોમાંથી સાચો જવાબ પસંદ કરો.

1. માત્ર A અને B
2. માત્ર B અને C
3. માત્ર C અને D
4. માત્ર D અને A

Options :

- 485584137085. 1
- 485584137086. 2
- 485584137087. 3
- 485584137088. 4

Question Number : 268 Question Id : 48558434273 Question Type : MCQ Option Shuffling : No Is Question Mandatory : No Calculator : None Response Time : N.A Think Time : N.A Minimum Instruction Time : 0

Correct Marks : 5 Wrong Marks : 1

Question Key Details :

Key	Value
Comprehension	MCQ

Match List I with List II

LIST I		LIST II	
A.	Krida	I.	Archery, sword play
B.	Vyayama Prakara	II.	Pranayama, asana
C.	Yoga - Sadhana	III.	games, recreational activities
D.	Dhanurveda	IV.	Various types of exercises

Choose the correct answer from the options given below:

1. A-III, B-II, C-IV, D-I
2. A-II, B-III, C-I, D-IV
3. A-III, B-IV, C-II, D-I
4. A-I, B-II, C-III, D-IV

Options :

485584137089. 1
485584137090. 2
485584137091. 3
485584137092. 4

Question Number : 268 Question Id : 48558434273 Question Type : MCQ Option Shuffling : No Is Question Mandatory : No Calculator : None Response Time : N.A Think Time : N.A Minimum Instruction Time : 0

Correct Marks : 5 Wrong Marks : 1

Question Key Details :

Key	Value
Comprehension	MCQ

સૂચિ I સાથે સૂચિ II ને જોડો.

સૂચિ I		સૂચિ II	
A.	કોડી	I.	તીરંદાજી, તલવાર રમત
B.	વ્યાયામ પ્રકાર	II.	પ્રાણાયામ, આસન
C.	યોગ - સાધના	III.	રમતો, મનોરંજન પ્રવૃત્તિઓ
D.	ધનુર્વેદ	IV.	વિવિધ પ્રકારની કસરતો

નીચે આપેલા વિકલ્પોમાંથી સાચો જવાબ પસંદ કરો.

1. A-III, B-II, C-IV, D-I
2. A-II, B-III, C-I, D-IV
3. A-III, B-IV, C-II, D-I
4. A-I, B-II, C-III, D-IV

Options :

485584137089. 1
485584137090. 2
485584137091. 3
485584137092. 4

Question Number : 269 Question Id : 48558434274 Question Type : MCQ Option Shuffling : No Is Question Mandatory : No Calculator : None Response Time : N.A Think Time : N.A Minimum Instruction Time : 0

Correct Marks : 5 Wrong Marks : 1

Question Key Details :

Key	Value
Comprehension	MCQ

Three gems in life are right vision, right knowledge and _____

1. right choice
2. right step
3. right conduct
4. right word

Options :

485584137093. 1
485584137094. 2
485584137095. 3
485584137096. 4

Question Number : 269 Question Id : 48558434274 Question Type : MCQ Option Shuffling : No Is Question Mandatory : No Calculator : None Response Time : N.A Think Time : N.A Minimum Instruction Time : 0

Correct Marks : 5 Wrong Marks : 1

Question Key Details :

Key	Value
Comprehension	MCQ

જીવનમાં ત્રણ રત્નો છે સાચી દ્રષ્ટિ, સાચું જ્ઞાન અને _____

1. યોગ્ય પસંદગી
2. સાચું પગલું
3. યોગ્ય વર્તન
4. સાચો શબ્દ

Options :

485584137093. 1
485584137094. 2
485584137095. 3
485584137096. 4

Question Number : 270 Question Id : 48558434275 Question Type : MCQ Option Shuffling : No Is Question Mandatory : No Calculator : None Response Time : N.A Think Time : N.A Minimum Instruction Time : 0

Correct Marks : 5 Wrong Marks : 1

Question Key Details :

Key	Value
Comprehension	MCQ

According to Jainism Spiritual growth is dependent upon _____

1. religious rituals
2. hygienic food
3. meditation
4. right conduct

Options :

485584137097. 1
485584137098. 2
485584137099. 3
485584137100. 4

Question Number : 270 Question Id : 48558434275 Question Type : MCQ Option Shuffling : No Is Question Mandatory : No Calculator : None Response Time : N.A Think Time : N.A Minimum Instruction Time : 0

Correct Marks : 5 Wrong Marks : 1

Question Key Details :

Key	Value
Comprehension	MCQ

જૈન ધર્મ અનુસાર આધ્યાત્મિક વિકાસ _____ પર આધારિત છે.

1. ધાર્મિક વિધિઓ
2. આરોગ્ય પ્રદ ખોરાક
3. ધ્યાન
4. યોગ્ય વર્તન

Options :

485584137097. 1
485584137098. 2
485584137099. 3
485584137100. 4

Question Number : 271 Question Id : 48558434276 Question Type : MCQ Option Shuffling : No Is Question Mandatory : No Calculator : None Response Time : N.A Think Time : N.A Minimum Instruction Time : 0

Correct Marks : 5 Wrong Marks : 1

Question Key Details :

Key	Value
Comprehension	MCQ

Who are the first poets according to the ancient Indian Tradition?

1. Rshis
2. Vedic Seers
3. Dialecticians
4. Grammarians

Options :

485584137101. 1
485584137102. 2
485584137103. 3
485584137104. 4

Question Number : 271 Question Id : 48558434276 Question Type : MCQ Option Shuffling : No Is Question Mandatory : No Calculator : None Response Time : N.A Think Time : N.A Minimum Instruction Time : 0

Correct Marks : 5 Wrong Marks : 1

Question Key Details :

Key	Value
Comprehension	MCQ

પ્રાચીન ભારતીય પરંપરા અનુસાર પ્રથમ કવિ કોણ છે ?

1. ઋષિઓ
2. વૈદિક સંતો
3. નિવાદશાસ્ત્રજ્ઞ (ડાયલેક્ટીશિયન)
4. વ્યાકરણશાસ્ત્રીઓ

Options :

485584137101. 1
485584137102. 2
485584137103. 3
485584137104. 4

Question Number : 272 Question Id : 48558434277 Question Type : MCQ Option Shuffling : No Is Question Mandatory : No Calculator : None Response Time : N.A Think Time : N.A Minimum Instruction Time : 0

Correct Marks : 5 Wrong Marks : 1

Question Key Details :

Key	Value
Comprehension	MCQ

Which among the following is referred as 'one of the living monuments of human intelligence'?

1. Language
2. Astadhyayi
3. Mahabhasya
4. Vakyapadiya

Options :

485584137105. 1
485584137106. 2
485584137107. 3
485584137108. 4

Question Number : 272 Question Id : 48558434277 Question Type : MCQ Option Shuffling : No Is Question Mandatory : No Calculator : None Response Time : N.A Think Time : N.A Minimum Instruction Time : 0

Correct Marks : 5 Wrong Marks : 1

Question Key Details :

Key	Value
Comprehension	MCQ

નીચેનામાંથી કોને માનવ બુદ્ધિના જીવંત સ્મારકો તરીકે ઓળખવામાં આવે છે ?

1. ભાષા
2. અષ્ટાધ્યાયી
3. મહાભાસ્ય
4. વાક્યપદ્ધિયા

Options :

485584137105. 1
485584137106. 2
485584137107. 3
485584137108. 4

Question Number : 273 Question Id : 48558434278 Question Type : MCQ Option Shuffling : No Is Question Mandatory : No Calculator : None Response Time : N.A Think Time : N.A Minimum Instruction Time : 0

Correct Marks : 5 Wrong Marks : 1

Question Key Details :

Key	Value
Comprehension	MCQ

How many sutras are given in the invaluable work of Panini's Astadhyayi?

1. 2,000
2. 1,000
3. 4,000
4. 3,000

Options :

485584137109. 1
485584137110. 2
485584137111. 3
485584137112. 4

Question Number : 273 Question Id : 48558434278 Question Type : MCQ Option Shuffling : No Is Question Mandatory : No Calculator : None Response Time : N.A Think Time : N.A Minimum Instruction Time : 0

Correct Marks : 5 Wrong Marks : 1

Question Key Details :

Key	Value
Comprehension	MCQ

પાણીની અષ્ટાધ્યાયીની અમૂલ્ય કૃતિમાં કેટલા સુત્રો આપવામાં આવ્યા છે ?

1. 2,000
2. 1,000
3. 4,000
4. 3,000

Options :

485584137109. 1
485584137110. 2
485584137111. 3
485584137112. 4

Question Number : 274 Question Id : 48558434279 Question Type : MCQ Option Shuffling : No Is Question Mandatory : No Calculator : None Response Time : N.A Think Time : N.A Minimum Instruction Time : 0

Correct Marks : 5 Wrong Marks : 1

Question Key Details :

Key	Value
Comprehension	MCQ

Match List I with List II

LIST I		LIST II	
A.	Ghumar	I.	Ring dance
B.	Kalbela	II.	Rhythmic Clapping
C.	Giddha	III.	Swirling robes
D.	Garba	IV.	Black Swirling skirts

Choose the correct answer from the options given below:

1. A-I, B-II, C-III, D-IV
2. A-III, B-IV, C-I, D-II
3. A-II, B-III, C-IV, D-I
4. A-I, B-II, C-IV, D-III

Options :

485584137113. 1
485584137114. 2
485584137115. 3
485584137116. 4

Question Number : 274 Question Id : 48558434279 Question Type : MCQ Option Shuffling : No Is Question Mandatory : No Calculator : None Response Time : N.A Think Time : N.A Minimum Instruction Time : 0

Correct Marks : 5 Wrong Marks : 1

Question Key Details :

Key	Value
Comprehension	MCQ

સૂચિ I સાથે સૂચિ II ને જોડો.

સૂચિ I		સૂચિ II	
A.	ધૂમર	I.	ચક્રપથ નૃત્ય (Ring dance)
B.	કાલબેલિયા	II.	લયબદ્ધ તાળીઓ
C.	ગીદ્દા	III.	ઘેર વાળા વસ્ત્ર (Swirling robes)
D.	ગરબા	IV.	કાળા ઘેરવાળા સ્કર્ટ

નીચે આપેલા વિકલ્પોમાંથી સાચો જવાબ પસંદ કરો.

1. A-I, B-II, C-III, D-IV
2. A-III, B-IV, C-I, D-II
3. A-II, B-III, C-IV, D-I
4. A-I, B-II, C-IV, D-III

Options :

485584137113. 1
485584137114. 2
485584137115. 3
485584137116. 4

Question Number : 275 Question Id : 48558434280 Question Type : MCQ Option Shuffling : No Is Question Mandatory : No Calculator : None Response Time : N.A Think Time : N.A Minimum Instruction Time : 0

Correct Marks : 5 Wrong Marks : 1

Question Key Details :

Key	Value
Comprehension	MCQ

Hindu temple architecture is divided into different types. Choose the correct number to define different types.

1. 3
2. 2
3. 4
4. 1

Options :

485584137117. 1
485584137118. 2
485584137119. 3
485584137120. 4

Question Number : 275 Question Id : 48558434280 Question Type : MCQ Option Shuffling : No Is Question Mandatory : No Calculator : None Response Time : N.A Think Time : N.A Minimum Instruction Time : 0

Correct Marks : 5 Wrong Marks : 1

Question Key Details :

Key	Value
Comprehension	MCQ

હિંદુ મંદિર સ્થાપત્ય વિવિધ પ્રકારોમાં વહેંચાયેલું છે. વિવિધ પ્રકારનો આખ્યાયિત કરવા માટે સાચો સંખ્યા પસંદ કરો.

1. 3
2. 2
3. 4
4. 1

Options :

485584137117. 1
485584137118. 2
485584137119. 3
485584137120. 4

Question Number : 276 Question Id : 48558434281 Question Type : MCQ Option Shuffling : No Is Question Mandatory : No Calculator : None Response Time : N.A Think Time : N.A Minimum Instruction Time : 0

Correct Marks : 5 Wrong Marks : 1

Question Key Details :

Key	Value
Comprehension	MCQ

The origin of Indian temple architecture can be traced to

1. Vedic times
2. Gupta Period
3. Medieval Period
4. Modern Period

Options :

485584137121. 1
485584137122. 2
485584137123. 3
485584137124. 4

Question Number : 276 Question Id : 48558434281 Question Type : MCQ Option Shuffling : No Is Question Mandatory : No Calculator : None Response Time : N.A Think Time : N.A Minimum Instruction Time : 0

Correct Marks : 5 Wrong Marks : 1

Question Key Details :

Key	Value
Comprehension	MCQ

માં ભારતીય મંદિર સ્થાપત્યનો ઉત્પત્તિ શોધી શકાય છે.

1. વૈદિક સમય
2. ગુપ્ત સમયગાળા
3. મધ્યયુગ સમયગાળા
4. આધુનિક સમયગાળા

Options :

485584137121. 1
485584137122. 2
485584137123. 3
485584137124. 4

Question Number : 277 Question Id : 48558434282 Question Type : MCQ Option Shuffling : No Is Question Mandatory : No Calculator : None Response Time : N.A Think Time : N.A Minimum Instruction Time : 0

Correct Marks : 5 Wrong Marks : 1

Question Key Details :

Key	Value
Comprehension	MCQ

One central objective of Indian temple architecture is to connect human beings to

1. The world
2. The Religion
3. The community
4. The Universe

Options :

485584137125. 1
485584137126. 2
485584137127. 3
485584137128. 4

Question Number : 277 Question Id : 48558434282 Question Type : MCQ Option Shuffling : No Is Question Mandatory : No Calculator : None Response Time : N.A Think Time : N.A Minimum Instruction Time : 0

Correct Marks : 5 Wrong Marks : 1

Question Key Details :

Key	Value
Comprehension	MCQ

ભારતીય મંદિર સ્થાપત્યનો એક કેન્દ્રીય ઉદ્દેશ્ય મનુષ્યોને સાથે જોડવાનો છે તે

1. વિશ્વ
2. ધર્મ
3. સમુદાય
4. બ્રહ્માંડ

Options :

485584137125. 1
485584137126. 2
485584137127. 3
485584137128. 4

Question Number : 278 Question Id : 48558434283 Question Type : MCQ Option Shuffling : No Is Question Mandatory : No Calculator : None Response Time : N.A Think Time : N.A Minimum Instruction Time : 0

Correct Marks : 5 Wrong Marks : 1

Question Key Details :

Key	Value
Comprehension	MCQ

What is the concept of monolithic temples among the following:

1. Carved wholly out of one piece of rock
2. made in monolithic era
3. made in stones from very ancient times
4. only the deity is carved from and one stone

Options :

485584137129. 1
485584137130. 2
485584137131. 3
485584137132. 4

Question Number : 278 Question Id : 48558434283 Question Type : MCQ Option Shuffling : No Is Question Mandatory : No Calculator : None Response Time : N.A Think Time : N.A Minimum Instruction Time : 0

Correct Marks : 5 Wrong Marks : 1

Question Key Details :

Key	Value
Comprehension	MCQ

નીચેનામાંથી એકપાત્રી (monolithic) મંદિરોનો ખ્યાલ શું છે ?

1. ખડકના એક ટુકડામાંથી સંપૂર્ણ રીતે કોતરવામાં આવે છે.
2. મોનાલિથિક યુગમાં બનાવેલ
3. ખૂબ પ્રાચીન સમયની પત્થરોમાંથી બનાવે છે.
4. ફક્ત દેવતાને એક પત્થરમાંથી કોતરવામાં આવે છે.

Options :

485584137129. 1
485584137130. 2
485584137131. 3
485584137132. 4

Question Number : 279 Question Id : 48558434284 Question Type : MCQ Option Shuffling : No Is Question Mandatory : No Calculator : None Response Time : N.A Think Time : N.A Minimum Instruction Time : 0

Correct Marks : 5 Wrong Marks : 1

Question Key Details :

Key	Value
Comprehension	MCQ

How many types of fight are included in vajramusti?

1. 6
2. 4
3. 3
4. 5

Options :

485584137133. 1
485584137134. 2
485584137135. 3
485584137136. 4

Question Number : 279 Question Id : 48558434284 Question Type : MCQ Option Shuffling : No Is Question Mandatory : No Calculator : None Response Time : N.A Think Time : N.A Minimum Instruction Time : 0

Correct Marks : 5 Wrong Marks : 1

Question Key Details :

Key	Value
Comprehension	MCQ

વજમુદિમાં કેટલા પ્રકારની લડાઈનો સમાવેશ થાય છે ?

1. 6
2. 4
3. 3
4. 5

Options :

485584137133. 1
485584137134. 2
485584137135. 3
485584137136. 4

Question Number : 280 Question Id : 48558434285 Question Type : MCQ Option Shuffling : No Is Question Mandatory : No Calculator : None Response Time : N.A Think Time : N.A Minimum Instruction Time : 0

Correct Marks : 5 Wrong Marks : 1

Question Key Details :

Key	Value
Comprehension	MCQ

Give name of one of the oldest Martial Arts in existence which is said to have originated in Kerala?

1. Ankavinoda
2. Sastrasrama
3. Mallakhamba
4. Kalaripayattu

Options :

485584137137. 1
485584137138. 2
485584137139. 3
485584137140. 4

Question Number : 280 Question Id : 48558434285 Question Type : MCQ Option Shuffling : No Is Question Mandatory : No Calculator : None Response Time : N.A Think Time : N.A Minimum Instruction Time : 0

Correct Marks : 5 Wrong Marks : 1

Question Key Details :

Key	Value
Comprehension	MCQ

અસ્તિત્વમાં રહેલી સૌથી જુની માર્શલ આર્ટમાંની એકનું નામ આપો જેની ઉત્પત્તિ કેરળમાં થઈ હોવાનું કહેવાય છે ?

1. Ankavinoda
2. Sastrasrama
3. Mallakhamba
4. Kallarippayattu (Kalarippayattu)

Options :

485584137137. 1
485584137138. 2
485584137139. 3
485584137140. 4

Question Number : 281 Question Id : 48558434286 Question Type : MCQ Option Shuffling : No Is Question Mandatory : No Calculator : None Response Time : N.A Think Time : N.A Minimum Instruction Time : 0

Correct Marks : 5 Wrong Marks : 1

Question Key Details :

Key	Value
Comprehension	MCQ

Chint was brought to Europe by which traders?

1. Italian and German traders
2. Portuguese and Dutch traders
3. Dutch and Italian Traders
4. German and Irish Traders

Options :

485584137141. 1
485584137142. 2
485584137143. 3
485584137144. 4

Question Number : 281 Question Id : 48558434286 Question Type : MCQ Option Shuffling : No Is Question Mandatory : No Calculator : None Response Time : N.A Think Time : N.A Minimum Instruction Time : 0

Correct Marks : 5 Wrong Marks : 1

Question Key Details :

Key	Value
Comprehension	MCQ

ચીટ યુરોપમાં કયા વેપારીઓ દ્વારા લાવવામાં આવ્યું હતું ?

1. ઇટાલીયન અને જર્મન વેપારીઓ
2. પોર્ટુગીઝ અને ડચ વેપારીઓ
3. ડચ અને ઇટાલીયન વેપારીઓ
4. જર્મન અને આઈરિશ

Options :

485584137141. 1
485584137142. 2
485584137143. 3
485584137144. 4

Question Number : 282 Question Id : 48558434287 Question Type : MCQ Option Shuffling : No Is Question Mandatory : No Calculator : None Response Time : N.A Think Time : N.A Minimum Instruction Time : 0

Correct Marks : 5 Wrong Marks : 1

Question Key Details :

Key	Value
Comprehension	MCQ

Name the textile made from unbleached cotton?

1. Calico
2. Linen
3. Jute
4. Hemp

Options :

485584137145. 1
485584137146. 2
485584137147. 3
485584137148. 4

Question Number : 282 Question Id : 48558434287 Question Type : MCQ Option Shuffling : No Is Question Mandatory : No Calculator : None Response Time : N.A Think Time : N.A Minimum Instruction Time : 0

Correct Marks : 5 Wrong Marks : 1

Question Key Details :

Key	Value
Comprehension	MCQ

બલ્કીય વગરના કપાસમાંથી બનેલા કાપડનું ના જણાવો ?

1. કેવીકો
2. લીનન
3. જ્યુટ
4. હેમ્પ

Options :

485584137145. 1
485584137146. 2
485584137147. 3
485584137148. 4

Question Number : 283 Question Id : 48558434288 Question Type : MCQ Option Shuffling : No Is Question Mandatory : No Calculator : None Response Time : N.A Think Time : N.A Minimum Instruction Time : 0

Correct Marks : 5 Wrong Marks : 1

Question Key Details :

Key	Value
Comprehension	MCQ

Arrange the technologies according to their origin time period:

- A. Art of paper making
- B. Pottery
- C. Rockets
- D. Fired Bricks

Choose the correct answer from the options given below:

1. A, B, C, D
2. D, C, A, B
3. D, B, A, C
4. B, C, A, D

Options :

485584137149. 1
485584137150. 2
485584137151. 3
485584137152. 4

Question Number : 283 Question Id : 48558434288 Question Type : MCQ Option Shuffling : No Is Question Mandatory : No Calculator : None Response Time : N.A Think Time : N.A Minimum Instruction Time : 0

Correct Marks : 5 Wrong Marks : 1

Question Key Details :

Key	Value
Comprehension	MCQ

તકનીકીને તેમના ઉદ્ભવન સમયગાળા અનુસાર ગોઠવો.

- A. કાગળ બનાવવાની દળા
- B. માટીકામ
- C. રોકેટસ
- D. તપાવેલી ઈરો (Fired Bricks)

નીચે આપેલા વિકલ્પોમાંથી સાચો જવાબ પસંદ કરો.

- 1. A, B, C, D
- 2. D, C, A, B
- 3. D, B, A, C
- 4. B, C, A, D

Options :

- 485584137149. 1
- 485584137150. 2
- 485584137151. 3
- 485584137152. 4

Question Number : 284 Question Id : 48558434289 Question Type : MCQ Option Shuffling : No Is Question Mandatory : No Calculator : None Response Time : N.A Think Time : N.A Minimum Instruction Time : 0

Correct Marks : 5 Wrong Marks : 1

Question Key Details :

Key	Value
Comprehension	MCQ

Which two countries together controlling nearly 60 per cent of the worlds GDP 2,000 year ago.

- A. India
- B. China
- C. Romans
- D. East Africa

Choose the correct answer from the options given below:

- 1. A and C only
- 2. B and D only
- 3. A and B only
- 4. C and D only

Options :

- 485584137153. 1
- 485584137154. 2
- 485584137155. 3
- 485584137156. 4

Question Number : 284 Question Id : 48558434289 Question Type : MCQ Option Shuffling : No Is Question Mandatory : No Calculator : None Response Time : N.A Think Time : N.A Minimum Instruction Time : 0

Correct Marks : 5 Wrong Marks : 1

Question Key Details :

Key	Value
Comprehension	MCQ

કયા બે દેશો 2,000 વર્ષ પહેલા વિશ્વના જીડીપીના (GDP) લગભગ 60 ડકાને એકસાથે નિયંત્રિત કરતા હતા.

- A. ભારત
- B. ચીન
- C. રોમનો
- D. પૂર્વ આફ્રિકા

નીચે આપેલા વિકલ્પોમાંથી સાચો જવાબ પસંદ કરો.

- 1. માત્ર A અને C
- 2. માત્ર B અને D
- 3. માત્ર A અને B
- 4. માત્ર C અને D

Options :

- 485584137153. 1
- 485584137154. 2
- 485584137155. 3
- 485584137156. 4

Question Number : 285 Question Id : 48558434290 Question Type : MCQ Option Shuffling : No Is Question Mandatory : No Calculator : None Response Time : N.A Think Time : N.A Minimum Instruction Time : 0

Correct Marks : 5 Wrong Marks : 1

Question Key Details :

Key	Value
Comprehension	MCQ

In which century, Roman empire began the trade with India?

- 1. 3rd Century BCE
- 2. 4th Century BCE
- 3. 2nd Century BCE
- 4. 5th Century BCE

Options :

- 485584137157. 1
- 485584137158. 2
- 485584137159. 3
- 485584137160. 4

Question Number : 285 Question Id : 48558434290 Question Type : MCQ Option Shuffling : No Is Question Mandatory : No Calculator : None Response Time : N.A Think Time : N.A Minimum Instruction Time : 0

Correct Marks : 5 Wrong Marks : 1

Question Key Details :

Key	Value
Comprehension	MCQ

કઈ સદીમાં, રોમન સામ્રાજ્ય એ ભારત સાથે વેપાર શરૂ કરેલ ?

1. ત્રીજી સદી ઇ.સ.પૂર્વે
2. ચોથી સદી ઇ.સ.પૂર્વે
3. બીજી સદી ઇ.સ.પૂર્વે
4. પાંચમી સદી ઇ.સ.પૂર્વે

Options :

485584137157. 1
485584137158. 2
485584137159. 3
485584137160. 4

Question Number : 286 Question Id : 48558434291 Question Type : MCQ Option Shuffling : No Is Question Mandatory : No Calculator : None Response Time : N.A Think Time : N.A Minimum Instruction Time : 0

Correct Marks : 5 Wrong Marks : 1

Question Key Details :

Key	Value
Comprehension	MCQ

Match List I with List II

LIST I		LIST II	
A.	Chau	I.	Harvest time
B.	Bihu	II.	Polished Sticks
C.	Dollu Kunitha	III.	Mask
D.	Dandiya	IV.	drum dance

Choose the correct answer from the options given below:

1. A-III, B-I, C-IV, D-II
2. A-II, B-I, C-III, D-IV
3. A-IV, B-III, C-II, D-I
4. A-I, B-II, C-III, D-IV

Options :

485584137161. 1
485584137162. 2
485584137163. 3
485584137164. 4

Question Number : 286 Question Id : 48558434291 Question Type : MCQ Option Shuffling : No Is Question Mandatory : No Calculator : None Response Time : N.A Think Time : N.A Minimum Instruction Time : 0

Correct Marks : 5 Wrong Marks : 1

Question Key Details :

Key	Value
Comprehension	MCQ

સૂચિ I સાથે સૂચિ II ને જોડો.

સૂચિ I		સૂચિ II	
A.	ચાઉં	I.	વણણીનો સમય
B.	બીઠું	II.	પોલિશ્ડ વાકડી
C.	ડોલુ કુનિયા	III.	મુખવટો
D.	દાંડિયા	IV.	ઢોલ નૃત્ય

નીચે આપેલા વિકલ્પોમાંથી સાચો જવાબ પસંદ કરો.

1. A-III, B-I, C-IV, D-II
2. A-II, B-I, C-III, D-IV
3. A-IV, B-III, C-II, D-I
4. A-I, B-II, C-III, D-IV

Options :

485584137161. 1
485584137162. 2
485584137163. 3
485584137164. 4

Question Number : 287 Question Id : 48558434292 Question Type : MCQ Option Shuffling : No Is Question Mandatory : No Calculator : None Response Time : N.A Think Time : N.A Minimum Instruction Time : 0

Correct Marks : 5 Wrong Marks : 1

Question Key Details :

Key	Value
Comprehension	MCQ

Silpasastra or Vastu Vidya the science of architecture was studied in ancient India within

- A. Ayurveda
- B. Dhanurved
- C. Jyotisa
- D. Rgveda

Choose the correct answer from the options given below:

- 1. B, D, C only
- 2. A, C, D only
- 3. A, D, B only
- 4. A, B, C only

Options :

- 485584137165. 1
- 485584137166. 2
- 485584137167. 3
- 485584137168. 4

Question Number : 287 Question Id : 48558434292 Question Type : MCQ Option Shuffling : No Is Question Mandatory : No Calculator : None Response Time : N.A Think Time : N.A Minimum Instruction Time : 0

Correct Marks : 5 Wrong Marks : 1

Question Key Details :

Key	Value
Comprehension	MCQ

નામાં શિલ્પશાસ્ત્ર અથવા વાસ્તુ વિદ્યા એ સ્થાપત્ય વિજ્ઞાનનો અભ્યાસ પ્રાચીન ભારતમાં કરવામાં આવ્યો હતો.

- A. આયુર્વેદ
- B. ધનુર્વેદ
- C. જ્યોતિષ
- D. ઋગ્વેદ

નીચે આપેલા વિકલ્પોમાંથી સાચો જવાબ પસંદ કરો.

- 1. માત્ર B, D, C
- 2. માત્ર A, C, D
- 3. માત્ર A, D, B
- 4. માત્ર A, B, C

Options :

- 485584137165. 1
- 485584137166. 2
- 485584137167. 3
- 485584137168. 4

Question Number : 288 Question Id : 48558434293 Question Type : MCQ Option Shuffling : No Is Question Mandatory : No Calculator : None Response Time : N.A Think Time : N.A Minimum Instruction Time : 0

Correct Marks : 5 Wrong Marks : 1

Question Key Details :

Key	Value
Comprehension	MCQ

Match List I with List II

LIST I		LIST II	
A.	Kucipudi	I.	Manipur
B.	Manipuri	II.	Uttar Pradesh
C.	Odissi	III.	Andhra Pradesh
D.	Kathak	IV.	Odisha

Choose the correct answer from the options given below:

1. A-III, B-I, C-IV, D-II
2. A-I, B-II, C-III, D-IV
3. A-III, B-II, C-I, D-IV
4. A-IV, B-III, C-II, D-I

Options :

485584137169. 1

485584137170. 2

485584137171. 3

485584137172. 4

Question Number : 288 Question Id : 48558434293 Question Type : MCQ Option Shuffling : No Is Question Mandatory : No Calculator : None Response Time : N.A Think Time : N.A Minimum Instruction Time : 0

Correct Marks : 5 Wrong Marks : 1

Question Key Details :

Key	Value
Comprehension	MCQ

સૂચિ I સાથે સૂચિ II ને જોડો.

સૂચિ I		સૂચિ II	
A.	કુચીપૂડી	I.	મણીપૂર
B.	મણીપૂરી	II.	ઉત્તર પ્રદેશ
C.	ઓડિસી	III.	આંધ્ર પ્રદેશ
D.	કથક	IV.	ઓડિશા

નીચે આપેલા વિકલ્પોમાંથી સાચો જવાબ પસંદ કરો.

1. A-III, B-I, C-IV, D-II
2. A-I, B-II, C-III, D-IV
3. A-III, B-II, C-I, D-IV
4. A-IV, B-III, C-II, D-I

Options :

485584137169. 1
485584137170. 2
485584137171. 3
485584137172. 4

Question Number : 289 Question Id : 48558434294 Question Type : MCQ Option Shuffling : No Is Question Mandatory : No Calculator : None Response Time : N.A Think Time : N.A Minimum Instruction Time : 0

Correct Marks : 5 Wrong Marks : 1

Question Key Details :

Key	Value
Comprehension	MCQ

Choose the correct order of Vedas as suggested below:

- A. Samveda
- B. Atharveda
- C. Rgveda
- D. Yajurveda

Choose the correct answer from the options given below:

1. A - B - C - D
2. C - D - A - B
3. B - C - A - D
4. D - C - A - B

Options :

485584137173. 1
485584137174. 2
485584137175. 3
485584137176. 4

Question Number : 289 Question Id : 48558434294 Question Type : MCQ Option Shuffling : No Is Question Mandatory : No Calculator : None Response Time : N.A Think Time : N.A Minimum Instruction Time : 0

Correct Marks : 5 Wrong Marks : 1

Question Key Details :

Key	Value
Comprehension	MCQ

નીચે સૂચવ્યા મુજબ વેદોનો સાચો ક્રમ પસંદ કરો.

- A. સામવેદ
- B. અથર્વેદ
- C. ઋગ્વેદ
- D. યજુર્વેદ

નીચે આપેલા વિકલ્પોમાંથી સાચો જવાબ પસંદ કરો.

- 1. A - B - C - D
- 2. C - D - A - B
- 3. B - C - A - D
- 4. D - C - A - B

Options :

- 485584137173. 1
- 485584137174. 2
- 485584137175. 3
- 485584137176. 4

Question Number : 290 Question Id : 48558434295 Question Type : MCQ Option Shuffling : No Is Question Mandatory : No Calculator : None Response Time : N.A Think Time : N.A Minimum Instruction Time : 0

Correct Marks : 5 Wrong Marks : 1

Question Key Details :

Key	Value
Comprehension	MCQ

Which fort is known for not being on a hilltop?

- 1. Gwalior Fort
- 2. Mehrangarh Fort
- 3. Junagarh fort
- 4. Amber Fort

Options :

- 485584137177. 1
- 485584137178. 2
- 485584137179. 3
- 485584137180. 4

Question Number : 290 Question Id : 48558434295 Question Type : MCQ Option Shuffling : No Is Question Mandatory : No Calculator : None Response Time : N.A Think Time : N.A Minimum Instruction Time : 0

Correct Marks : 5 Wrong Marks : 1

Question Key Details :

Key	Value
Comprehension	MCQ

કયો કિલ્લો હિલટોપ પર ન હોવા માટે જાણીતો છે ?

1. ગ્લાવિયરનો કિલ્લો
2. મહેરાનગઢ કિલ્લો
3. જૂનાગઢ કિલ્લો
4. અમબર કિલ્લો

Options :

485584137177. 1
485584137178. 2
485584137179. 3
485584137180. 4

Sub-Section Number :

2

Sub-Section Id :

4855842543

Question Shuffling Allowed :

No

Is Section Default? :

null

Question Number : 291 Question Id : 48558434296 Question Type : MCQ Option Shuffling : No Is Question Mandatory : No Calculator : None Response Time : N.A Think Time : N.A Minimum Instruction Time : 0

Correct Marks : 5 Wrong Marks : 1

Question Key Details :

Key	Value
Comprehension	Comp1

Read the passage and answer the following questions given below:-

Kathakali is a classical dance form which originated in Kerala. Katha in Sanskrit means story and kali in Malayalam means play. So Kathakali is a play based on a story. Kathakali, like other classical dances of India, has its origins in Bharata Muni's Natyasastra. It is an art which has evolved from many social and religious theatrical art forms like Cakiarkottu, Kudiattam, Krsnattam, Ramattam which existed in the Southern region in ancient times. The main custodian of Kathakali is the famous poet Vallathol Narayana Menon who established Kerala Kalamandalam in 1930 for the preservation of this art form.

Kathakali, a stylised art form, is a blend of dance music and acting and dramatizes stories mostly adapted from the Indian epics. All the four aspects of abhinaya - angika, vacika, aharya, Sattrika and the three components of the dance - natya, nrta and nrtya are unified flawlessly in this form, As far as the costume of this dance form is concerned, it is elaborate and designed to heighten the effect of physical strength. The large overcoats, the flowing scarves, the bulging skirts, the antique ornaments, the strikingly opulent head dresses with streaming hair flowing down to the waist and covering the back all create enlarged figures well befitting the sculptured facial features and produce tremendously impressive impersonations. If the characters are Sattvika (a righteous character or hero), the basic make up is pacca (green); if the characters are rajsika (a character with particular vices or anti hero) the basic make up is cutti (white); and if the characters are tamsika (an evil character or villain), the basic green make up is broken up by red patches. Also, on the basic green make up, an oral red and white design is made on the nose and on the upper nose.

Classical Dance form Kathakali originated in which state of India?

1. Karnataka
2. Tamil Nadu
3. Andhra Pradesh
4. Kerala

Options :

485584137181. 1

485584137182. 2

485584137183. 3

485584137184. 4

Question Number : 291 Question Id : 48558434296 Question Type : MCQ Option Shuffling : No Is Question Mandatory : No Calculator : None Response Time : N.A Think Time : N.A Minimum Instruction Time : 0

Correct Marks : 5 Wrong Marks : 1

Question Key Details :

Key	Value
Comprehension	Comp1

કથકવી એ શાસ્ત્રીય નૃત્ય સ્વરૂપ છે જેને ઉદ્ભવ કેરળમાં થયો છે. સંસ્કૃતમાં કથા એટલે વાર્તા અને મલયાલમમાં કાલી એટલે નાટક તેથી કથકવી એ વાર્તા પરઆધારિત નાટક છે. કથકવી, ભારતના અન્ય શાસ્ત્રીય નૃત્યોની જેમ, તેની ઉત્પત્તિ ભરત મુનિના નાટ્યશાસ્ત્રમાં છે. તે એક એવી કળા છે જે પ્રાચીન સમયમાં દક્ષિણ પ્રદેશમાં અસ્તિત્વ ધરાવતી કેકિયાકોટ્ટુ, કુડિયાટ્મ, કૃષ્ણાત્મ, રામત્તમ જેવા અનેક સામાજિક અને ધાર્મિક નાટ્ય કલા સ્વરૂપોમાંથી વિકસિત થઈ છે. કથકવીના મુખ્ય સંરક્ષક વિખ્યાત રવિ વલ્લથોલ નારાયણ મેનન છે જેમણે આ કલાના જતન માટે 1930માં કેરાલા કલામંડલની સ્થાપના કરી હતી. કથકવી, એક સ્ટાઇલિશ કલા સ્વરૂપ છે, જે નૃત્ય સંગીત અને અભિનયનું મિશ્રણ છે અને મોટાભાગે ભારતીય મહાકાવ્યોમાંથી રૂપાંતરિત વાર્તાઓને નાટકીય બનાવે છે. અભિનયના ચારેય પાસાઓ - અંગિકા, વાયિકા, અહર્ય, સત્તારિકા અને નૃત્યના ત્રણ ઘટકો નાટ્ય, નૂત અને નૃત્ય આ સ્વરૂપમાં દોષરહિત રીતે એકીકૃત છે, જ્યાં સુધી આ નૃત્ય સ્વરૂપની વેશભૂષાનો સંબંધ છે. તે વિસ્તૃત અને ડિઝાઇન કરેલ છે. શારીરિક શક્તિની અસરને વધારવા માટેસ મોટા ઓવરકોટ્સ ફલેલેસ કુલેલા સ્કટર્સ, એન્ટિક આભૂષણો, કમર સુધી વહેતા વાળ અને પીછને ઢાંકવાવાળા માથાના આકર્ષક વસ્ત્રો, આ બધા શિલ્પના ચહેરાના લક્ષણોને અનુરૂપ વિસ્તૃત આકૃતિઓ બનાવે છે અને જબરદસ્ત પ્રભાવશાળી વેરાધારા ઉત્પન્ન કરે છે. જો પાત્રો સાત્વિક (એક ન્યાયી પાત્ર અથવા નાયક) હોય, તો મૂળભૂત રચના પક્કા (લીલો) છે. જો પાત્રો રાજસિકા (ખાસ દુર્ગુણો અથવા વિરોધી હીરો સાથેનું પાત્ર) હોય તો મૂળભૂત મેકઅપ કટટી (સફેદ) છે, અને જો પાત્રો તમસિકા (એક દુષ્ટ પાત્ર અથવા ખલનાયક) હોય, તો મૂળભૂત લીલો મેકઅપ ધબ્બા દ્વારા તૂટી જાય છે. પણ, મૂળભૂત લીલા મેકઅપ પર, નાક અને નાકના ઉપરના ભાગમાં ઘાટા લાલ અને સફેદ રંગથી ડિઝાઇન બનાવવામાં આવે છે.

ભારતના કયાં રાજ્યમાંથી શાસ્ત્રીય નૃત્ય સ્વરૂપ કથકવીનો ઉદ્ભવ થયો હતો ?

1. Karnataka
2. Tamil Nadu
3. Andhra Pradesh
4. Kerala

Options :

485584137181. 1
 485584137182. 2
 485584137183. 3
 485584137184. 4

Question Number : 292 Question Id : 48558434297 Question Type : MCQ Option Shuffling : No Is Question Mandatory : No Calculator : None Response Time : N.A Think Time : N.A Minimum Instruction Time : 0

Correct Marks : 5 Wrong Marks : 1

Question Key Details :

Key	Value
Comprehension	Comp1

Read the passage and answer the following questions given below:-

Kathakali is a classical dance form which originated in Kerala. Katha in Sanskrit means story and kali in Malayalam means play. So Kathakali is a play based on a story. Kathakali, like other classical dances of India, has its origins in Bharata Muni's Natyasastra. It is an art which has evolved from many social and religious theatrical art forms like Cakiarkottu, Kudiattam, Krsnattam, Ramattam which existed in the Southern region in ancient times. The main custodian of Kathakali is the famous poet Vallathol Narayana Menon who established Kerala Kalamandalam in 1930 for the preservation of this art form.

Kathakali, a stylised art form, is a blend of dance music and acting and dramatizes stories mostly adapted from the Indian epics. All the four aspects of abhinaya - angika, vacika, aharya, Sattrika and the three components of the dance - natya, nrnta and nrtya are unified flawlessly in this form, As far as the costume of this dance form is concerned, it is elaborate and designed to heighten the effect of physical strength. The large overcoats, the flowing scarves, the bulging skirts, the antique ornaments, the strikingly opulent head dresses with streaming hair flowing down to the waist and covering the back all create enlarged figures well befitting the sculptured facial features and produce tremendously impressive impersonations. If the characters are Sattvika (a righteous character or hero), the basic make up is pacca (green); if the characters are rajsika (a character with particular vices or anti hero) the basic make up is cutti (white); and if the characters are tamsika (an evil character or villain), the basic green make up is broken up by red patches. Also, on the basic green make up, an oral red and white design is made on the nose and on the upper nose.

Name the main custodian of Kathakali who established Kerala Kalamandalam in 1930 for the preservation of this art form?

1. Vedantam Lakshmi Narayana
2. Cinta Krsnamurthy
3. Vallathol Narayana Menon
4. Rukmini Devi

Options :

485584137185. 1
485584137186. 2
485584137187. 3
485584137188. 4

Question Number : 292 Question Id : 48558434297 Question Type : MCQ Option Shuffling : No Is Question Mandatory : No Calculator : None Response Time : N.A Think Time : N.A Minimum Instruction Time : 0

Correct Marks : 5 Wrong Marks : 1

Question Key Details :

Key	Value
Comprehension	Comp1

કથકવી એ શાસ્ત્રીય નૃત્ય સ્વરૂપ છે જેને ઉદ્ભવ કેરળમાં થયો છે. સંસ્કૃતમાં કથા એટલે વાર્તા અને મલયાલમમાં કાલી એટલે નાટક તેથી કથકવી એ વાર્તા પરઆધારિત નાટક છે. કથકવી, ભારતના અન્ય શાસ્ત્રીય નૃત્યોની જેમ, તેની ઉત્પત્તિ ભરત મુનિના નાટ્યશાસ્ત્રમાં છે. તે એક એવી કળા છે જે પ્રાચીન સમયમાં દક્ષિણ પ્રદેશમાં અસ્તિત્વ ધરાવતી કેકિયાકોટ્ટુ, કુડિયાટ્મ, કૃષ્ણાત્મ, રામત્તમ જેવા અનેક સામાજિક અને ધાર્મિક નાટ્ય કલા સ્વરૂપોમાંથી વિકસિત થઈ છે. કથકવીના મુખ્ય સંરક્ષક વિખ્યાત રવિ વલ્લથોલ નારાયણ મેનન છે જેમણે આ કલાના જતન માટે 1930માં કેરાલા કલામંડલની સ્થાપના કરી હતી. કથકવી, એક સ્ટાઇલિશ કલા સ્વરૂપ છે, જે નૃત્ય સંગીત અને અભિનયનું મિશ્રણ છે અને મોટાભાગે ભારતીય મહાકાવ્યોમાંથી રૂપાંતરિત વાર્તાઓને નાટકીય બનાવે છે. અભિનયના ચારેય પાસાઓ - અંગિકા, વાયિકા, અહર્ય, સત્તારિકા અને નૃત્યના ત્રણ ઘટકો નાટ્ય, નૂત અને નૃત્ય આ સ્વરૂપમાં દોષરહિત રીતે એકીકૃત છે, જ્યાં સુધી આ નૃત્ય સ્વરૂપની વેશભૂષાનો સંબંધ છે. તે વિસ્તૃત અને ડિઝાઇન કરેલ છે. શારીરિક શક્તિની અસરને વધારવા માટેસ મોટા ઓવરકોટ્સ ફલેલેસ કુલેલા સ્કટર્સ, એન્ટિક આભૂષણો, કમર સુધી વહેતા વાળ અને પીછને ઢાંકવાવાળા માથાના આકર્ષક વસ્ત્રો, આ બધા શિલ્પના ચહેરાના લક્ષણોને અનુરૂપ વિસ્તૃત આકૃતિઓ બનાવે છે અને જબરદસ્ત પ્રભાવશાળી વેરાધારા ઉત્પન્ન કરે છે. જો પાત્રો સાત્વિક (એક ન્યાયી પાત્ર અથવા નાયક) હોય, તો મૂળભૂત રચના પક્કા (લીલો) છે. જો પાત્રો રાજસિકા (ખાસ દુર્ગુણો અથવા વિરોધી હીરો સાથેનું પાત્ર) હોય તો મૂળભૂત મેકઅપ કટટી (સફેદ) છે, અને જો પાત્રો તમસિકા (એક દુષ્ટ પાત્ર અથવા ખલનાયક) હોય, તો મૂળભૂત લીલો મેકઅપ ધબ્બા દ્વારા તૂટી જાય છે. પણ, મૂળભૂત લીલા મેકઅપ પર, નાક અને નાકના ઉપરના ભાગમાં ઘાટા લાલ અને સફેદ રંગથી ડિઝાઇન બનાવવામાં આવે છે.

કથકવીના મુખ્ય સંરક્ષકનું નામ જણાવો જેમણે આ કલાના જતન માટે 1930 કેરાલા કલામંડલની સ્થાપના કરી હતી ?

1. Vedantam Laksmi Narayana
2. Cinta Krsnamurthy
3. Vallathol Narayana Menon
4. Rukmini Devi

Options :

485584137185. 1
 485584137186. 2
 485584137187. 3
 485584137188. 4

Question Number : 293 Question Id : 48558434298 Question Type : MCQ Option Shuffling : No Is Question Mandatory : No Calculator : None Response Time : N.A Think Time : N.A Minimum Instruction Time : 0

Correct Marks : 5 Wrong Marks : 1

Question Key Details :

Key	Value
Comprehension	Comp1

Read the passage and answer the following questions given below:-

Kathakali is a classical dance form which originated in Kerala. Katha in Sanskrit means story and kali in Malayalam means play. So Kathakali is a play based on a story. Kathakali, like other classical dances of India, has its origins in Bharata Muni's Natyasastra. It is an art which has evolved from many social and religious theatrical art forms like Cakiarkottu, Kudiattam, Krsnattam, Ramattam which existed in the Southern region in ancient times. The main custodian of Kathakali is the famous poet Vallathol Narayana Menon who established Kerala Kalamandalam in 1930 for the preservation of this art form.

Kathakali, a stylised art form, is a blend of dance music and acting and dramatizes stories mostly adapted from the Indian epics. All the four aspects of abhinaya - angika, vacika, aharya, Sattrika and the three components of the dance - natya, nrta and nrtya are unified flawlessly in this form, As far as the costume of this dance form is concerned, it is elaborate and designed to heighten the effect of physical strength. The large overcoats, the flowing scarves, the bulging skirts, the antique ornaments, the strikingly opulent head dresses with streaming hair flowing down to the waist and covering the back all create enlarged figures well befitting the sculptured facial features and produce tremendously impressive impersonations. If the characters are Sattvika (a righteous character or hero), the basic make up is pacca (green); if the characters are rajsika (a character with particular vices or anti hero) the basic make up is cutti (white); and if the characters are tamsika (an evil character or villain), the basic green make up is broken up by red patches. Also, on the basic green make up, an oral red and white design is made on the nose and on the upper nose.

How many aspects of Abhinaya?

1. 2
2. 3
3. 4
4. 5

Options :

485584137189. 1

485584137190. 2

485584137191. 3

485584137192. 4

Question Number : 293 Question Id : 48558434298 Question Type : MCQ Option Shuffling : No Is Question Mandatory : No Calculator : None Response Time : N.A Think Time : N.A Minimum Instruction Time : 0

Correct Marks : 5 Wrong Marks : 1

Question Key Details :

Key	Value
Comprehension	Comp1

કથકવી એ શાસ્ત્રીય નૃત્ય સ્વરૂપ છે જેને ઉદ્ભવ કેરળમાં થયો છે. સંસ્કૃતમાં કથા એટલે વાર્તા અને મલયાલમમાં કાલી એટલે નાટક તેથી કથકવી એ વાર્તા પરઆધારિત નાટક છે. કથકવી, ભારતના અન્ય શાસ્ત્રીય નૃત્યોની જેમ, તેની ઉત્પત્તિ ભરત મુનિના નાટ્યશાસ્ત્રમાં છે. તે એક એવી કળા છે જે પ્રાચીન સમયમાં દક્ષિણ પ્રદેશમાં અસ્તિત્વ ધરાવતી કેકિયાકોટ્ટુ, કુડિયાટ્મ, કૃષ્ણાત્મ, રામત્તમ જેવા અનેક સામાજિક અને ધાર્મિક નાટ્ય કલા સ્વરૂપોમાંથી વિકસિત થઈ છે. કથકવીના મુખ્ય સંરક્ષક વિખ્યાત રવિ વલ્લથોલ નારાયણ મેનન છે જેમણે આ કલાના જતન માટે 1930માં કેરાલા કલામંડલની સ્થાપના કરી હતી. કથકવી, એક સ્ટાઇલિશ કલા સ્વરૂપ છે, જે નૃત્ય સંગીત અને અભિનયનું મિશ્રણ છે અને મોટાભાગે ભારતીય મહાકાવ્યોમાંથી રૂપાંતરિત વાર્તાઓને નાટકીય બનાવે છે. અભિનયના ચારેય પાસાઓ - અંગિકા, વાયિકા, અહર્ય, સત્તારિકા અને નૃત્યના ત્રણ ઘટકો નાટ્ય, નૂત અને નૃત્ય આ સ્વરૂપમાં દોષરહિત રીતે એકીકૃત છે, જ્યાં સુધી આ નૃત્ય સ્વરૂપની વેશભૂષાનો સંબંધ છે. તે વિસ્તૃત અને ડિઝાઇન કરેલ છે. શારીરિક શક્તિની અસરને વધારવા માટેસ મોટા ઓવરકોટ્સ ફલેલેસ કુલેલા સ્કટર્સ, એન્ટિક આભૂષણો, કમર સુધી વહેતા વાળ અને પીછને ઢાંકવાવાળા માથાના આકર્ષક વસ્ત્રો, આ બધા શિલ્પના ચહેરાના લક્ષણોને અનુરૂપ વિસ્તૃત આકૃતિઓ બનાવે છે અને જબરદસ્ત પ્રભાવશાળી વેરાધારા ઉત્પન્ન કરે છે. જો પાત્રો સાત્વિક (એક ન્યાયી પાત્ર અથવા નાયક) હોય, તો મૂળભૂત રચના પક્કા (લીલો) છે. જો પાત્રો રાજસિકા (ખાસ દુર્ગુણો અથવા વિરોધી હીરો સાથેનું પાત્ર) હોય તો મૂળભૂત મેકઅપ કટટી (સફેદ) છે, અને જો પાત્રો તમસિકા (એક દુષ્ટ પાત્ર અથવા ખલનાયક) હોય, તો મૂળભૂત લીલો મેકઅપ ધબ્બા દ્વારા તૂટી જાય છે. પણ, મૂળભૂત લીલા મેકઅપ પર, નાક અને નાકના ઉપરના ભાગમાં ઘાટા લાલ અને સફેદ રંગથી ડિઝાઇન બનાવવામાં આવે છે.

અભિનયના કેટલા પાસાઓ છે ?

1. 2
2. 3
3. 4
4. 5

Options :

485584137189. 1
 485584137190. 2
 485584137191. 3
 485584137192. 4

Question Number : 294 Question Id : 48558434299 Question Type : MCQ Option Shuffling : No Is Question Mandatory : No Calculator : None Response Time : N.A Think Time : N.A Minimum Instruction Time : 0

Correct Marks : 5 Wrong Marks : 1

Question Key Details :

Key	Value
Comprehension	Comp1

Read the passage and answer the following questions given below:-

Kathakali is a classical dance form which originated in Kerala. Katha in Sanskrit means story and kali in Malayalam means play. So Kathakali is a play based on a story. Kathakali, like other classical dances of India, has its origins in Bharata Muni's Natyasastra. It is an art which has evolved from many social and religious theatrical art forms like Cakiarkottu, Kudiattam, Krsnattam, Ramattam which existed in the Southern region in ancient times. The main custodian of Kathakali is the famous poet Vallathol Narayana Menon who established Kerala Kalamandalam in 1930 for the preservation of this art form.

Kathakali, a stylised art form, is a blend of dance music and acting and dramatizes stories mostly adapted from the Indian epics. All the four aspects of abhinaya - angika, vacika, aharya, Sattrika and the three components of the dance - natya, nrta and nrtya are unified flawlessly in this form, As far as the costume of this dance form is concerned, it is elaborate and designed to heighten the effect of physical strength. The large overcoats, the flowing scarves, the bulging skirts, the antique ornaments, the strikingly opulent head dresses with streaming hair flowing down to the waist and covering the back all create enlarged figures well befitting the sculptured facial features and produce tremendously impressive impersonations. If the characters are Sattvika (a righteous character or hero), the basic make up is pacca (green); if the characters are rajsika (a character with particular vices or anti hero) the basic make up is cutti (white); and if the characters are tamsika (an evil character or villain), the basic green make up is broken up by red patches. Also, on the basic green make up, an oral red and white design is made on the nose and on the upper nose.

Which of the following is not the component of dance?

1. natya
2. vacika
3. nrta
4. nrtya

Options :

485584137193. 1
485584137194. 2
485584137195. 3
485584137196. 4

Question Number : 294 Question Id : 48558434299 Question Type : MCQ Option Shuffling : No Is Question Mandatory : No Calculator : None Response Time : N.A Think Time : N.A Minimum Instruction Time : 0

Correct Marks : 5 Wrong Marks : 1

Question Key Details :

Key	Value
Comprehension	Comp1

કથકવી એ શાસ્ત્રીય નૃત્ય સ્વરૂપ છે જેને ઉદ્ભવ કેરળમાં થયો છે. સંસ્કૃતમાં કથા એટલે વાર્તા અને મલયાલમમાં કાલી એટલે નાટક તેથી કથકવી એ વાર્તા પરઆધારિત નાટક છે. કથકવી, ભારતના અન્ય શાસ્ત્રીય નૃત્યોની જેમ, તેની ઉત્પત્તિ ભરત મુનિના નાટ્યશાસ્ત્રમાં છે. તે એક એવી કળા છે જે પ્રાચીન સમયમાં દક્ષિણ પ્રદેશમાં અસ્તિત્વ ધરાવતી કેકિયાકોટ્ટુટ્ટુ, કુડિયાટ્ટમ, કૃષ્ણાત્મ, રામત્તમ જેવા અનેક સામાજિક અને ધાર્મિક નાટ્ય કલા સ્વરૂપોમાંથી વિકસિત થઈ છે. કથકવીના મુખ્ય સંરક્ષક વિખ્યાત રવિ વલ્લથોલ નારાયણ મેનન છે જેમણે આ કલાના જતન માટે 1930માં કેરાલા કલામંડલની સ્થાપના કરી હતી. કથકવી, એક સ્ટાઇલિશ કલા સ્વરૂપ છે, જે નૃત્ય સંગીત અને અભિનયનું મિશ્રણ છે અને મોટાભાગે ભારતીય મહાકાવ્યોમાંથી રૂપાંતરિત વાર્તાઓને નાટકીય બનાવે છે. અભિનયના ચારેય પાસાઓ - અંગિકા, વાયિકા, અહર્ય, સત્તારિકા અને નૃત્યના ત્રણ ઘટકો નાટ્ય, નૂત અને નૃત્ય આ સ્વરૂપમાં દોષરહિત રીતે એકીકૃત છે, જ્યાં સુધી આ નૃત્ય સ્વરૂપની વેશભૂષાનો સંબંધ છે. તે વિસ્તૃત અને ડિઝાઇન કરેલ છે. શારીરિક શક્તિની અસરને વધારવા માટેસ મોટા ઓવરકોટ્સ ફલેલેસ કુલેલા સ્કટર્સ, એન્ટિક આભૂષણો, કમર સુધી વહેતા વાળ અને પીછને ઢાંકવાવાળા માથાના આકર્ષક વસ્ત્રો, આ બધા શિલ્પના ચહેરાના લક્ષણોને અનુરૂપ વિસ્તૃત આકૃતિઓ બનાવે છે અને જબરદસ્ત પ્રભાવશાળી વેરાધારા ઉત્પન્ન કરે છે. જો પાત્રો સાત્વિક (એક ન્યાયી પાત્ર અથવા નાયક) હોય, તો મૂળભૂત રચના પક્કા (લીલો) છે. જો પાત્રો રાજસિકા (ખાસ દુર્ગુણો અથવા વિરોધી હીરો સાથેનું પાત્ર) હોય તો મૂળભૂત મેકઅપ કટટી (સફેદ) છે, અને જો પાત્રો તમસિકા (એક દુષ્ટ પાત્ર અથવા ખલનાયક) હોય, તો મૂળભૂત લીલો મેકઅપ ધબ્બા દ્વારા તૂટી જાય છે. પણ, મૂળભૂત લીલા મેકઅપ પર, નાક અને નાકના ઉપરના ભાગમાં ઘાટા લાલ અને સફેદ રંગથી ડિઝાઇન બનાવવામાં આવે છે.

નીચેનામાંથી કયું નૃત્યનું ઘટક અંશ નથી ?

1. નાટ્ય
2. વાયિકા
3. નૂત
4. નૃત્ય

Options :

485584137193. 1
485584137194. 2
485584137195. 3
485584137196. 4

Question Number : 295 Question Id : 48558434300 Question Type : MCQ Option Shuffling : No Is Question Mandatory : No Calculator : None Response Time : N.A Think Time : N.A Minimum Instruction Time : 0

Correct Marks : 5 Wrong Marks : 1

Question Key Details :

Key	Value
Comprehension	Comp1

Read the passage and answer the following questions given below:-

Kathakali is a classical dance form which originated in Kerala. Katha in Sanskrit means story and kali in Malayalam means play. So Kathakali is a play based on a story. Kathakali, like other classical dances of India, has its origins in Bharata Muni's Natyasastra. It is an art which has evolved from many social and religious theatrical art forms like Cakiarkottu, Kudiattam, Krsnattam, Ramattam which existed in the Southern region in ancient times. The main custodian of Kathakali is the famous poet Vallathol Narayana Menon who established Kerala Kalamandalam in 1930 for the preservation of this art form.

Kathakali, a stylised art form, is a blend of dance music and acting and dramatizes stories mostly adapted from the Indian epics. All the four aspects of abhinaya - angika, vacika, aharya, Sattrika and the three components of the dance - natya, nrta and nrtya are unified flawlessly in this form, As far as the costume of this dance form is concerned, it is elaborate and designed to heighten the effect of physical strength. The large overcoats, the flowing scarves, the bulging skirts, the antique ornaments, the strikingly opulent head dresses with streaming hair flowing down to the waist and covering the back all create enlarged figures well befitting the sculptured facial features and produce tremendously impressive impersonations. If the characters are Sattvika (a righteous character or hero), the basic make up is pacca (green); if the characters are rajsika (a character with particular vices or anti hero) the basic make up is cutti (white); and if the characters are tamsika (an evil character or villain), the basic green make up is broken up by red patches. Also, on the basic green make up, an oral red and white design is made on the nose and on the upper nose.

In Kathakali dance form, Basic make up colour changes according to character. If the characters are rajsika, what will be the basic colour makeup

1. Green
2. White
3. Green with red patches
4. White with red patches

Options :

485584137197. 1
485584137198. 2
485584137199. 3
485584137200. 4

Question Number : 295 Question Id : 48558434300 Question Type : MCQ Option Shuffling : No Is Question Mandatory : No Calculator : None Response Time : N.A Think Time : N.A Minimum Instruction Time : 0

Correct Marks : 5 Wrong Marks : 1

Question Key Details :

Key	Value
Comprehension	Comp1

કથકવી એ શાસ્ત્રીય નૃત્ય સ્વરૂપ છે જેને ઉદ્ભવ કેરળમાં થયો છે. સંસ્કૃતમાં કથા એટલે વાર્તા અને મલયાલમમાં કાલી એટલે નાટક તેથી કથકવી એ વાર્તા પરઆધારિત નાટક છે. કથકવી, ભારતના અન્ય શાસ્ત્રીય નૃત્યોની જેમ, તેની ઉત્પત્તિ ભરત મુનિના નાટ્યશાસ્ત્રમાં છે. તે એક એવી કળા છે જે પ્રાચીન સમયમાં દક્ષિણ પ્રદેશમાં અસ્તિત્વ ધરાવતી કેકિયાકોટ્ટુ, કુડિયાટ્મ, કૃષ્ણાત્મ, રામત્તમ જેવા અનેક સામાજિક અને ધાર્મિક નાટ્ય કલા સ્વરૂપોમાંથી વિકસિત થઈ છે. કથકવીના મુખ્ય સંરક્ષક વિખ્યાત રવિ વલ્લથોલ નારાયણ મેનન છે જેમણે આ કલાના જતન માટે 1930માં કેરાલા કલામંડલની સ્થાપના કરી હતી. કથકવી, એક સ્ટાઇલિશ કલા સ્વરૂપ છે, જે નૃત્ય સંગીત અને અભિનયનું મિશ્રણ છે અને મોટાભાગે ભારતીય મહાકાવ્યોમાંથી રૂપાંતરિત વાર્તાઓને નાટકીય બનાવે છે. અભિનયના ચારેય પાસાઓ - અંગિકા, વાયિકા, અહર્ય, સત્તારિકા અને નૃત્યના ત્રણ ઘટકો નાટ્ય, નૂત અને નૃત્ય આ સ્વરૂપમાં દોષરહિત રીતે એકીકૃત છે, જ્યાં સુધી આ નૃત્ય સ્વરૂપની વેશભૂષાનો સંબંધ છે. તે વિસ્તૃત અને ડિઝાઇન કરેલ છે. શારીરિક શક્તિની અસરને વધારવા માટેસ મોટા ઓવરકોટ્સ ફલેલેસ કુલેલા સ્કટર્સ, એન્ટિક આભૂષણો, કમર સુધી વહેતા વાળ અને પીછને ઢાંકવાવાળા માથાના આકર્ષક વસ્ત્રો, આ બધા શિલ્પના ચહેરાના લક્ષણોને અનુરૂપ વિસ્તૃત આકૃતિઓ બનાવે છે અને જબરદસ્ત પ્રભાવશાળી વેરાધારા ઉત્પન્ન કરે છે. જો પાત્રો સાત્વિક (એક ન્યાયી પાત્ર અથવા નાયક) હોય, તો મૂળભૂત રચના પક્કા (લીલો) છે. જો પાત્રો રાજસિકા (ખાસ દુર્ગુણો અથવા વિરોધી હીરો સાથેનું પાત્ર) હોય તો મૂળભૂત મેકઅપ કટટી (સફેદ) છે, અને જો પાત્રો તમસિકા (એક દુષ્ટ પાત્ર અથવા ખલનાયક) હોય, તો મૂળભૂત લીલો મેકઅપ ધબ્બા દ્વારા તૂટી જાય છે. પણ, મૂળભૂત લીલા મેકઅપ પર, નાક અને નાકના ઉપરના ભાગમાં ઘાટા લાલ અને સફેદ રંગથી ડિઝાઇન બનાવવામાં આવે છે.

કથકવી નૃત્ય સ્વરૂપમાં, મૂળભૂત મેકઅપનો રંગ પાત્ર અનુસાર બદલાય છે. જો પાત્રો રાજસિકા છે, તો મૂળભૂત રંગ મેકઅપ શું હશે.

1. લીલો
2. સફેદ
3. લાલ ધબ્બા સાથે લીલો
4. લાલ ધબ્બા સાથે સફેદ

Options :

485584137197. 1
 485584137198. 2
 485584137199. 3
 485584137200. 4

Sub-Section Number :

3

Sub-Section Id :

4855842544

Question Shuffling Allowed :

No

Is Section Default? :

null

Question Number : 296 Question Id : 48558434301 Question Type : MCQ Option Shuffling : No Is Question Mandatory : No Calculator : None Response Time : N.A Think Time : N.A Minimum Instruction Time : 0

Correct Marks : 5 Wrong Marks : 1

Question Key Details :

Key	Value
Comprehension	Comp2

Read the following passage and answer the questions given below:

The moral code of the people is an indicator of their social and spiritual ways of life. The true essence of human life is to live amidst worldly joy and sorrows, Ethics is primarily concerned with the moral issues of the world. True religion lays stress on moral virtues. People are required to discharge their duties according to the moral code of ethics. A true knowledge of ethics would be attained if one practices and imbibes these moral values. Ethics is of two kinds individuals and social. Individual ethics is indicative of the good qualities that are essential for individual well-being of the good qualities that are essential for individual well-being and happiness. Social ethics represents the values that are needed for social order and harmony.

In the knowledge tradition of India ethics has its origin in its religious and philosophical thinking. From time immemorial, various religious faiths have flourished here. Every religious and every philosophical system of India has a prominent ethical component. Ethics is the core of all these systems. In every religious tradition, good moral conduct is considered essential for a happy and contented life.

Choose from the following that is not the purpose of the moral code of ethics.

1. To perform duties in the society
2. To live a balanced life between joy and sorrow
3. To live a peaceful life
4. To keep a strict discipline

Options :

485584137201. 1
485584137202. 2
485584137203. 3
485584137204. 4

Question Number : 296 Question Id : 48558434301 Question Type : MCQ Option Shuffling : No Is Question Mandatory : No Calculator : None Response Time : N.A Think Time : N.A Minimum Instruction Time : 0

Correct Marks : 5 Wrong Marks : 1

Question Key Details :

Key	Value
Comprehension	Comp2

લોકોની નૈતિક સંહિતા તેમના જીવનના સામાજિક અને આધ્યાત્મિક માર્ગોનું સૂચક છે. માનવ જીવનનો સાચો સાર દુન્યવી આનંદ અને દુઃખની વચ્ચે જીવવાનો છે. નીતિશાસ્ત્ર મુખ્યત્વે વિશ્વના નૈતિક મુદ્દાઓ સાથે સંબંધિત છે. સાચો ધર્મ નૈતિક ગુણો પર ભાર મૂકે છે. નૈતિકતાના નૈતિક સંહિતા અનુસાર લોકોએ તેમની ફરજ નિભાવવી જરૂરી છે. જો કોઈ આ નૈતિક મૂલ્યોનું પાલન કરે અને તેને આત્મસાત કરે તો નૈતિકતાનું સાચું પ્રાપ્ત થશે., નૈતિકતા બે પ્રકારની હોય વ્યક્તિહત અને સામાજિક. વ્યક્તિહત નૈતિકતા એ સારા ગુણોનું સૂચક છે જે વ્યક્તિહત સુખાકારી માટે જરૂરી છે તેવા સારા ગુણો કે જે વ્યક્તિહત સુખાકારી અને સુખ માટે જરૂરી છે. સામાજિક નીતિશાસ્ત્ર એવા મૂલ્યોનું પ્રતિનિધિત્વ કરે છે જે સામાજિક વ્યવસ્થા અને સંવાદિતા માટે જરૂરી છે.

ભારતીય નીતિશાસ્ત્રની જ્ઞાન પરંપરામાં મૂળ તેના ધાર્મિક અને દાર્શનિક વિચારસરણીમાં છે. અનાદિકાળથી અહીં વિવિધ ધાર્મિક આસ્થાઓ ખીલી છે. ભારતની દરેક ધાર્મિક અને દરેક દાર્શનિક પ્રણાલીમાં એક અગ્રણી નૈતિક ઘટક છે. નૈતિકતા એ આ બધી પ્રણાલીઓનો મુખ્ય ભાગ છે. દરેક ધાર્મિક પરંપરામાં, સુખી અને વિવાદિત જીવન માટે સારું નૈતિક આચરણ આવશ્યક માનવામાં આવે છે.

નીચેનામાંથી પસંદ કરો જે નૈતિક નીતિશાસ્ત્ર સંહિતાનો હેતુ નથી.

1. સમાજમાં ફરજ બજાવવી
2. આનંદ અને દુઃખ વચ્ચે સંતુલિત જીવન જીવવું
3. શાંતિપૂર્ણ જીવન જીવવા માટે
4. કડક શિસ્ત જાળવવી

Options :

485584137201. 1
485584137202. 2
485584137203. 3
485584137204. 4

Question Number : 297 Question Id : 48558434302 Question Type : MCQ Option Shuffling : No Is Question Mandatory : No Calculator : None Response Time : N.A Think Time : N.A Minimum Instruction Time : 0

Correct Marks : 5 Wrong Marks : 1

Question Key Details :

Key	Value
Comprehension	Comp2

Read the following passage and answer the questions given below:

The moral code of the people is an indicator of their social and spiritual ways of life. The true essence of human life is to live amidst worldly joy and sorrows. Ethics is primarily concerned with the moral issues of the world. True religion lays stress on moral virtues. People are required to discharge their duties according to the moral code of ethics. A true knowledge of ethics would be attained if one practices and imbibes these moral values. Ethics is of two kinds individuals and social. Individual ethics is indicative of the good qualities that are essential for individual well-being of the good qualities that are essential for individual well-being and happiness. Social ethics represents the values that are needed for social order and harmony.

In the knowledge tradition of India ethics has its origin in its religious and philosophical thinking. From time immemorial, various religious faiths have flourished here. Every religious and every philosophical system of India has a prominent ethical component. Ethics is the core of all these systems. In every religious tradition, good moral conduct is considered essential for a happy and contented life.

What are the two major types of Ethics?

1. Religious and Philosophical
2. Individual and Social
3. Opened and Closed
4. Hard and Soft

Options :

485584137205. 1
485584137206. 2
485584137207. 3

Question Number : 297 Question Id : 48558434302 Question Type : MCQ Option Shuffling : No Is Question Mandatory : No Calculator : None Response Time : N.A Think Time : N.A Minimum Instruction Time : 0

Correct Marks : 5 Wrong Marks : 1

Question Key Details :

Key	Value
Comprehension	Comp2

લોકોની નૈતિક સંહિતા તેમના જીવનના સામાજિક અને આધ્યાત્મિક માર્ગોનું સૂચક છે. માનવ જીવનનો સાચો સાર દુન્યવી આનંદ અને દુઃખની વચ્ચે જીવવાનો છે. નીતિશાસ્ત્ર મુખ્યત્વે વિશ્વના નૈતિક મુદ્દાઓ સાથે સંબંધિત છે. સાચો ધર્મ નૈતિક ગુણો પર ભાર મૂકે છે. નૈતિકતાના નૈતિક સંહિતા અનુસાર લોકોએ તેમની ફરોજ નિભાવવી જરૂરી છે. જો કોઈ આ નૈતિક મૂલ્યોનું પાલન કરે અને તેને આત્મસાત કરે તો નૈતિકતાનું સાચું પ્રાપ્ત થશે. નૈતિકતા બે પ્રકારની હોય વ્યક્તિગત અને સામાજિક. વ્યક્તિગત નૈતિકતા એ સારા ગુણોનું સૂચક છે જે વ્યક્તિહત સુખાકારી માટે જરૂરી છે તેવા સારા ગુણો કે જે વ્યક્તિગત સુખાકારી અને સુખ માટે જરૂરી છે. સામાજિક નીતિશાસ્ત્ર એવા મૂલ્યોનું પ્રતિનિધિત્વ કરે છે જે સામાજિક વ્યવસ્થા અને સંવાદિતા માટે જરૂરી છે.

ભારતીય નીતિશાસ્ત્રની જ્ઞાન પરંપરામાં મૂળ તેના ધાર્મિક અને દાર્શનિક વિચારસરણીમાં છે. અનાદિકાળથી અહીં વિવિધ ધાર્મિક આસ્થાઓ ખીલી છે. ભારતની દરેક ધાર્મિક અને દરેક દાર્શનિક પ્રણાલીમાં એક અગ્રણી નૈતિક ઘટક છે. નૈતિકતા એ આ બધી પ્રણાલીઓનો મુખ્ય ભાગ છે. દરેક ધાર્મિક પરંપરામાં, સુખી અને વિવાદિત જીવન માટે સારું નૈતિક આચરણ આવશ્યક માનવામાં આવે છે.

નીતિશાસ્ત્રની બે મુખ્ય પ્રકારો શું છે ?

1. ધાર્મિક અને દાર્શનિક
2. વ્યક્તિગત અને સામાજિક
3. ખોલ્યુ અને બંધ
4. સખ્ત અને નરમ

Options :

485584137205. 1

485584137206. 2

485584137207. 3

485584137208. 4

Question Number : 298 Question Id : 48558434303 Question Type : MCQ Option Shuffling : No Is Question Mandatory : No Calculator : None Response Time : N.A Think Time : N.A Minimum Instruction Time : 0

Correct Marks : 5 Wrong Marks : 1

Question Key Details :

Key	Value
Comprehension	Comp2

Read the following passage and answer the questions given below:

The moral code of the people is an indicator of their social and spiritual ways of life. The true essence of human life is to live amidst worldly joy and sorrows, Ethics is primarily concerned with the moral issues of the world. True religion lays stress on moral virtues. People are required to discharge their duties according to the moral code of ethics. A true knowledge of ethics would be attained if one practices and imbibes these moral values. Ethics is of two kinds individuals and social. Individual ethics is indicative of the good qualities that are essential for individual well-being of the good qualities that are essential for individual well-being and happiness. Social ethics represents the values that are needed for social order and harmony.

In the knowledge tradition of India ethics has its origin in its religious and philosophical thinking. From time immemorial, various religious faiths have flourished here. Every religious and every philosophical system of India has a prominent ethical component. Ethics is the core of all these systems. In every religious tradition, good moral conduct is considered essential for a happy and contented life.

In the knowledge tradition of India, Ethics originated in _____

1. Religious and Philosophical thinking
2. Traditional and Spiritual thinking
3. Broad and Positive thinking
4. Backward and Negative thinking

Options :

485584137209. 1
485584137210. 2
485584137211. 3
485584137212. 4

Question Number : 298 Question Id : 48558434303 Question Type : MCQ Option Shuffling : No Is Question Mandatory : No Calculator : None Response Time : N.A Think Time : N.A Minimum Instruction Time : 0

Correct Marks : 5 Wrong Marks : 1

Question Key Details :

Key	Value
Comprehension	Comp2

લોકોની નૈતિક સંહિતા તેમના જીવનના સામાજિક અને આધ્યાત્મિક માર્ગોનું સૂચક છે. માનવ જીવનનો સાચો સાર દુન્યવી આનંદ અને દુઃખની વચ્ચે જીવવાનો છે. નીતિશાસ્ત્ર મુખ્યત્વે વિશ્વના નૈતિક મુદ્દાઓ સાથે સંબંધિત છે. સાચો ધર્મ નૈતિક ગુણો પર ભાર મૂકે છે. નૈતિકતાના નૈતિક સંહિતા અનુસાર લોકોએ તેમની ફરજ નિભાવવી જરૂરી છે. જો કોઈ આ નૈતિક મૂલ્યોનું પાલન કરે અને તેને આત્મસાત કરે તો નૈતિકતાનું સાચું પ્રાપ્ત થશે., નૈતિકતા બે પ્રકારની હોય વ્યક્તિહત અને સામાજિક. વ્યક્તિહત નૈતિકતા એ સારા ગુણોનું સૂચક છે જે વ્યક્તિહત સુખાકારી માટે જરૂરી છે તેવા સારા ગુણો કે જે વ્યક્તિહત સુખાકારી અને સુખ માટે જરૂરી છે. સામાજિક નીતિશાસ્ત્ર એવા મૂલ્યોનું પ્રતિનિધિત્વ કરે છે જે સામાજિક વ્યવસ્થા અને સંવાદિતા માટે જરૂરી છે.

ભારતીય નીતિશાસ્ત્રની જ્ઞાન પરંપરામાં મૂળ તેના ધાર્મિક અને દાર્શનિક વિચારસરણીમાં છે. અનાદિકાળથી અહીં વિવિધ ધાર્મિક આસ્થાઓ ખીલી છે. ભારતની દરેક ધાર્મિક અને દરેક દાર્શનિક પ્રણાલીમાં એક અગ્રણી નૈતિક ઘટક છે. નૈતિકતા એ આ બધી પ્રણાલીઓનો મુખ્ય ભાગ છે. દરેક ધાર્મિક પરંપરામાં, સુખી અને વિવાદિત જીવન માટે સારું નૈતિક આચરણ આવશ્યક માનવામાં આવે છે.

ભારતની જ્ઞાન પરંપરામાં, નીતિશાસ્ત્રનો ઉદભવ _____ માં થયો હતો.

1. ધાર્મિક અને દાર્શનિક વિચાર
2. પરંપરાગત અને આધ્યાત્મિક વિચાર
3. વ્યાપક અને સકારાત્મક વિચારસરણી
4. પછાત અને નકારાત્મક વિચાર

Options :

485584137209. 1
485584137210. 2
485584137211. 3
485584137212. 4

Question Number : 299 Question Id : 48558434304 Question Type : MCQ Option Shuffling : No Is Question Mandatory : No Calculator : None Response Time : N.A Think Time : N.A Minimum Instruction Time : 0

Correct Marks : 5 Wrong Marks : 1

Question Key Details :

Key	Value
Comprehension	Comp2

Read the following passage and answer the questions given below:

The moral code of the people is an indicator of their social and spiritual ways of life. The true essence of human life is to live amidst worldly joy and sorrows. Ethics is primarily concerned with the moral issues of the world. True religion lays stress on moral virtues. People are required to discharge their duties according to the moral code of ethics. A true knowledge of ethics would be attained if one practices and imbibes these moral values. Ethics is of two kinds individuals and social. Individual ethics is indicative of the good qualities that are essential for individual well-being of the good qualities that are essential for individual well-being and happiness. Social ethics represents the values that are needed for social order and harmony.

In the knowledge tradition of India ethics has its origin in its religious and philosophical thinking. From time immemorial, various religious faiths have flourished here. Every religious and every philosophical system of India has a prominent ethical component. Ethics is the core of all these systems. In every religious tradition, good moral conduct is considered essential for a happy and contented life.

Ethics is primarily concerned with the _____

1. Social issues of the world
2. Economic issues of the world
3. Moral issues of the world
4. Religious issues of the world

Options :

485584137213. 1
485584137214. 2
485584137215. 3

Question Number : 299 Question Id : 48558434304 Question Type : MCQ Option Shuffling : No Is Question Mandatory : No Calculator : None Response Time : N.A Think Time : N.A Minimum Instruction Time : 0

Correct Marks : 5 Wrong Marks : 1

Question Key Details :

Key	Value
Comprehension	Comp2

લોકોની નૈતિક સંહિતા તેમના જીવનના સામાજિક અને આધ્યાત્મિક માર્ગોનું સૂચક છે. માનવ જીવનનો સાચો સાર દુન્યવી આનંદ અને દુઃખની વચ્ચે જીવવાનો છે. નીતિશાસ્ત્ર મુખ્યત્વે વિશ્વના નૈતિક મુદ્દાઓ સાથે સંબંધિત છે. સાચો ધર્મ નૈતિક ગુણો પર ભાર મૂકે છે. નૈતિકતાના નૈતિક સંહિતા અનુસાર લોકોએ તેમની ફરજ નિભાવવી જરૂરી છે. જો કોઈ આ નૈતિક મૂલ્યોનું પાલન કરે અને તેને આત્મસાત કરે તો નૈતિકતાનું સાચું પ્રાપ્ત થશે. નૈતિકતા બે પ્રકારની હોય વ્યક્તિહત અને સામાજિક. વ્યક્તિહત નૈતિકતા એ સારા ગુણોનું સૂચક છે જે વ્યક્તિહત સુખાકારી માટે જરૂરી છે તેવા સારા ગુણો કે જે વ્યક્તિહત સુખાકારી અને સુખ માટે જરૂરી છે. સામાજિક નીતિશાસ્ત્ર એવા મૂલ્યોનું પ્રતિનિધિત્વ કરે છે જે સામાજિક વ્યવસ્થા અને સંવાદિતા માટે જરૂરી છે.

ભારતીય નીતિશાસ્ત્રની જ્ઞાન પરંપરામાં મૂળ તેના ધાર્મિક અને દાર્શનિક વિચારસરણીમાં છે. અનાદિકાળથી અહીં વિવિધ ધાર્મિક આસ્થાઓ ખીલી છે. ભારતની દરેક ધાર્મિક અને દરેક દાર્શનિક પ્રણાલીમાં એક અગ્રણી નૈતિક ઘટક છે. નૈતિકતા એ આ બધી પ્રણાલીઓનો મુખ્ય ભાગ છે. દરેક ધાર્મિક પરંપરામાં, સુખી અને વિવાદિત જીવન માટે સારું નૈતિક આચરણ આવશ્યક માનવામાં આવે છે.

નૈતિક મુખ્યત્વે _____ સાથે સંબંધિત છે.

1. વિશ્વના સામાજિક મુદ્દાઓ
2. વિશ્વના આર્થિક મુદ્દાઓ
3. વિશ્વના નૈતિક મુદ્દાઓ
4. વિશ્વના ધાર્મિક મુદ્દાઓ

Options :

485584137213. 1

485584137214. 2

485584137215. 3

485584137216. 4

Question Number : 300 Question Id : 48558434305 Question Type : MCQ Option Shuffling : No Is Question Mandatory : No Calculator : None Response Time : N.A Think Time : N.A Minimum Instruction Time : 0

Correct Marks : 5 Wrong Marks : 1

Question Key Details :

Key	Value
Comprehension	Comp2

Read the following passage and answer the questions given below:

The moral code of the people is an indicator of their social and spiritual ways of life. The true essence of human life is to live amidst worldly joy and sorrows, Ethics is primarily concerned with the moral issues of the world. True religion lays stress on moral virtues. People are required to discharge their duties according to the moral code of ethics. A true knowledge of ethics would be attained if one practices and imbibes these moral values. Ethics is of two kinds individuals and social. Individual ethics is indicative of the good qualities that are essential for individual well-being of the good qualities that are essential for individual well-being and happiness. Social ethics represents the values that are needed for social order and harmony.

In the knowledge tradition of India ethics has its origin in its religious and philosophical thinking. From time immemorial, various religious faiths have flourished here. Every religious and every philosophical system of India has a prominent ethical component. Ethics is the core of all these systems. In every religious tradition, good moral conduct is considered essential for a happy and contented life.

To maintain social order and harmony what type of ethics play an important role in society?

1. Individual Ethics
2. Social Ethics
3. Political Ethics
4. Legal Ethics

Options :

485584137217. 1
485584137218. 2
485584137219. 3
485584137220. 4

Question Number : 300 Question Id : 48558434305 Question Type : MCQ Option Shuffling : No Is Question Mandatory : No Calculator : None Response Time : N.A Think Time : N.A Minimum Instruction Time : 0

Correct Marks : 5 Wrong Marks : 1

Question Key Details :

Key	Value
Comprehension	Comp2

લોકોની નૈતિક સંહિતા તેમના જીવનના સામાજિક અને આધ્યાત્મિક માર્ગોનું સૂચક છે. માનવ જીવનનો સાચો સાર દુન્યવી આનંદ અને દુઃખની વચ્ચે જીવવાનો છે. નીતિશાસ્ત્ર મુખ્યત્વે વિશ્વના નૈતિક મુદ્દાઓ સાથે સંબંધિત છે. સાચો ધર્મ નૈતિક ગુણો પર ભાર મૂકે છે. નૈતિકતાના નૈતિક સંહિતા અનુસાર લોકોએ તેમની ફરજ નિભાવવી જરૂરી છે. જો કોઈ આ નૈતિક મૂલ્યોનું પાલન કરે અને તેને આત્મસાત કરે તો નૈતિકતાનું સાચું પ્રાપ્ત થશે., નૈતિકતા બે પ્રકારની હોય વ્યક્તિહત અને સામાજિક. વ્યક્તિહત નૈતિકતા એ સારા ગુણોનું સૂચક છે જે વ્યક્તિહત સુખાકારી માટે જરૂરી છે તેવા સારા ગુણો કે જે વ્યક્તિહત સુખાકારી અને સુખ માટે જરૂરી છે. સામાજિક નીતિશાસ્ત્ર એવા મૂલ્યોનું પ્રતિનિધિત્વ કરે છે જે સામાજિક વ્યવસ્થા અને સંવાદિતા માટે જરૂરી છે.

ભારતીય નીતિશાસ્ત્રની જ્ઞાન પરંપરામાં મૂળ તેના ધાર્મિક અને દાર્શનિક વિચારસરણીમાં છે. અનાદિકાળથી અહીં વિવિધ ધાર્મિક આસ્થાઓ ખીલી છે. ભારતની દરેક ધાર્મિક અને દરેક દાર્શનિક પ્રણાલીમાં એક અગ્રણી નૈતિક ઘટક છે. નૈતિકતા એ આ બધી પ્રણાલીઓનો મુખ્ય ભાગ છે. દરેક ધાર્મિક પરંપરામાં, સુખી અને વિવાદિત જીવન માટે સારું નૈતિક આચરણ આવશ્યક માનવામાં આવે છે.

સામાજિક વ્યવસ્થા અને સુમેળ જાળવવા માટે સમાજમાં કયા પ્રકારની નીતિશાસ્ત્ર મહત્વપૂર્ણ ભૂમિકા ભજવે છે ?

1. વ્યક્તિગત નૈતિકતા
2. સામાજિક નૈતિકતા
3. રાજકીય નૈતિકતા
4. કાનૂની નૈતિકતા

Options :

485584137217. 1
485584137218. 2
485584137219. 3
485584137220. 4

Political Science

Group Number :	12
Group Id :	485584779
Group Maximum Duration :	45
Group Minimum Duration :	45
Show Attended Group? :	No
Edit Attended Group? :	No
Break time :	0
Group Marks :	200
Is this Group for Examiner? :	No
Examiner permission :	Cant View
Show Progress Bar? :	No

Political Science

Section Id :	485584897
Section Number :	1
Section type :	Online
Mandatory or Optional :	Mandatory
Number of Questions :	50
Number of Questions to be attempted :	40
Section Marks :	200
Enable Mark as Answered Mark for Review and Clear Response :	Yes
Maximum Instruction Time :	0
Sub-Section Number :	1
Sub-Section Id :	4855842545
Question Shuffling Allowed :	Yes
Is Section Default? :	null

Question Number : 301 Question Id : 48558434356 Question Type : MCQ Option Shuffling : No Is Question Mandatory : No Calculator : None Response Time : N.A Think Time : N.A Minimum Instruction Time : 0

Correct Marks : 5 Wrong Marks : 1

Question Key Details :

Key	Value
-----	-------

Comprehension	MCQ
---------------	-----

When the constitution was signed?

1. 24 January 1950
2. 26 November 1949
3. 26 January 1950
4. 26 November 1950

Options :

- 485584137421. 1
- 485584137422. 2
- 485584137423. 3
- 485584137424. 4

Question Number : 302 Question Id : 48558434357 Question Type : MCQ Option Shuffling : No Is Question Mandatory : No Calculator : None Response Time : N.A Think Time : N.A Minimum Instruction Time : 0

Correct Marks : 5 Wrong Marks : 1

Question Key Details :

Key	Value
Comprehension	MCQ

Election Commission of India was setup in

1. January 1949
2. January 1950
3. November 1949
4. November 1950

Options :

- 485584137425. 1
- 485584137426. 2
- 485584137427. 3
- 485584137428. 4

Question Number : 303 Question Id : 48558434358 Question Type : MCQ Option Shuffling : No Is Question Mandatory : No Calculator : None Response Time : N.A Think Time : N.A Minimum Instruction Time : 0

Correct Marks : 5 Wrong Marks : 1

Question Key Details :

Key	Value
Comprehension	MCQ

Who was the first Election Commissioner of India.

1. S S Sen
2. Sukumar Sen
3. Kumar Sen
4. S Kumar Sen

Options :

485584137429. 1
485584137430. 2
485584137431. 3
485584137432. 4

Question Number : 304 Question Id : 48558434359 Question Type : MCQ Option Shuffling : No Is Question Mandatory : No Calculator : None Response Time : N.A Think Time : N.A Minimum Instruction Time : 0

Correct Marks : 5 Wrong Marks : 1

Question Key Details :

Key	Value
Comprehension	MCQ

Who decided to convert Cuba in to a Russain base in 1962.

1. Nikhil Khurushchev
2. Nikita Khurushchev
3. Neil Khurushchev
4. Nail Khurushchev

Options :

485584137433. 1
485584137434. 2
485584137435. 3
485584137436. 4

Question Number : 305 Question Id : 48558434360 Question Type : MCQ Option Shuffling : No Is Question Mandatory : No Calculator : None Response Time : N.A Think Time : N.A Minimum Instruction Time : 0

Correct Marks : 5 Wrong Marks : 1

Question Key Details :

Key	Value
Comprehension	MCQ

The First world War was shaken the world between

1. 1914-1918
2. 1914-1916
3. 1914-1919
4. 1914-1917

Options :

- 485584137437. 1
- 485584137438. 2
- 485584137439. 3
- 485584137440. 4

Question Number : 306 Question Id : 48558434361 Question Type : MCQ Option Shuffling : No Is Question Mandatory : No Calculator : None Response Time : N.A Think Time : N.A Minimum Instruction Time : 0

Correct Marks : 5 Wrong Marks : 1

Question Key Details :

Key	Value
Comprehension	MCQ

United States dropped two atomic bombs on the Japanese cities of Hiroshima and Nagasaki in

1. July 1945
2. August 1945
3. September 1945
4. October 1945

Options :

- 485584137441. 1
- 485584137442. 2
- 485584137443. 3
- 485584137444. 4

Question Number : 307 Question Id : 48558434362 Question Type : MCQ Option Shuffling : No Is Question Mandatory : No Calculator : None Response Time : N.A Think Time : N.A Minimum Instruction Time : 0

Correct Marks : 5 Wrong Marks : 1

Question Key Details :

Key	Value
Comprehension	MCQ

North Atlantic Treaty Organisation (NATO) came into existence in

1. March 1949
2. April 1949
3. May 1949
4. June 1949

Options :

- 485584137445. 1
- 485584137446. 2
- 485584137447. 3
- 485584137448. 4

Question Number : 308 Question Id : 48558434363 Question Type : MCQ Option Shuffling : No Is Question Mandatory : No Calculator : None Response Time : N.A Think Time : N.A Minimum Instruction Time : 0

Correct Marks : 5 Wrong Marks : 1

Question Key Details :

Key	Value
Comprehension	MCQ

The Eastern alliance, known as the Warsaw Pact, was led by the Soviet Union was created in

1. 1945
2. 1949
3. 1955
4. 1957

Options :

- 485584137449. 1
- 485584137450. 2
- 485584137451. 3
- 485584137452. 4

Question Number : 309 Question Id : 48558434364 Question Type : MCQ Option Shuffling : No Is Question Mandatory : No Calculator : None Response Time : N.A Think Time : N.A Minimum Instruction Time : 0

Correct Marks : 5 Wrong Marks : 1

Question Key Details :

Key	Value
Comprehension	MCQ

The First non-aligned summit was held in Belgrade in.

1. 1958
2. 1959
3. 1960
4. 1961

Options :

485584137453. 1
485584137454. 2
485584137455. 3
485584137456. 4

Question Number : 310 Question Id : 48558434365 Question Type : MCQ Option Shuffling : No Is Question Mandatory : No Calculator : None Response Time : N.A Think Time : N.A Minimum Instruction Time : 0

Correct Marks : 5 Wrong Marks : 1

Question Key Details :

Key	Value
Comprehension	MCQ

Famous speech 'tryst with destiny' is addressed by :-

1. Jawaharlal Nehru
2. Mahatma Gandhi
3. Lal Bahadur Shastri
4. Khan Abdul Gaffar Khan

Options :

485584137457. 1
485584137458. 2
485584137459. 3
485584137460. 4

Question Number : 311 Question Id : 48558434366 Question Type : MCQ Option Shuffling : No Is Question Mandatory : No Calculator : None Response Time : N.A Think Time : N.A Minimum Instruction Time : 0

Correct Marks : 5 Wrong Marks : 1

Question Key Details :

Key	Value
Comprehension	MCQ

Who was the Deputy Prime Minister and first home minister of Independent India

1. Raf Ahmad Kidwai
2. Sardar Vallabh Bhai Patel
3. C. Rajgopalachari
4. K. S. Menon

Options :

485584137461. 1
485584137462. 2
485584137463. 3
485584137464. 4

Question Number : 312 Question Id : 48558434367 Question Type : MCQ Option Shuffling : No Is Question Mandatory : No Calculator : None Response Time : N.A Think Time : N.A Minimum Instruction Time : 0

Correct Marks : 5 Wrong Marks : 1

Question Key Details :

Key	Value
Comprehension	MCQ

A section of the big industrialists got together in 1944 and drafted a joint proposal for setting up a planned economy in the country it was called _____

1. Russian Plan
2. Global Plan
3. Bombay Plan
4. SwissPlan

Options :

485584137465. 1
485584137466. 2
485584137467. 3
485584137468. 4

Question Number : 313 Question Id : 48558434368 Question Type : MCQ Option Shuffling : No Is Question Mandatory : No Calculator : None Response Time : N.A Think Time : N.A Minimum Instruction Time : 0

Correct Marks : 5 Wrong Marks : 1

Question Key Details :

Key	Value
Comprehension	MCQ

Name the founder of Indian Stastical Institute

1. K. N. Raj
2. J. C. Kumarappa
3. R. D. Raj
4. P. C. Mahalanobis

Options :

485584137469. 1
485584137470. 2
485584137471. 3
485584137472. 4

Question Number : 314 Question Id : 48558434369 Question Type : MCQ Option Shuffling : No Is Question Mandatory : No Calculator : None Response Time : N.A Think Time : N.A Minimum Instruction Time : 0

Correct Marks : 5 Wrong Marks : 1

Question Key Details :

Key	Value
Comprehension	MCQ

Which Article of the Indian constitution lays down some directive principles of State policy on 'Promotion of international peace and security'

1. Article 51
2. Article 52
3. Article 53
4. Article 54

Options :

485584137473. 1
485584137474. 2
485584137475. 3
485584137476. 4

Question Number : 315 Question Id : 48558434370 Question Type : MCQ Option Shuffling : No Is Question Mandatory : No Calculator : None Response Time : N.A Think Time : N.A Minimum Instruction Time : 0

Correct Marks : 5 Wrong Marks : 1

Question Key Details :

Key	Value
Comprehension	MCQ

Who is the director of film 'Haqeeqat' (year 1964)

1. Sanjay Khan
2. Balraj Sahni
3. Chetan Anand
4. Jaxant Karvey

Options :

485584137477. 1
485584137478. 2
485584137479. 3
485584137480. 4

Question Number : 316 Question Id : 48558434371 Question Type : MCQ Option Shuffling : No Is Question Mandatory : No Calculator : None Response Time : N.A Think Time : N.A Minimum Instruction Time : 0

Correct Marks : 5 Wrong Marks : 1

Question Key Details :

Key	Value
Comprehension	MCQ

Who coined the famous slogan 'Jai Jawan Jai Kisan'

1. Lal Bahadur Sashtri
2. Jawaharlal Nehru
3. Khan Abdul Gaffar
4. Mahatma Gandhi

Options :

485584137481. 1
485584137482. 2
485584137483. 3
485584137484. 4

Question Number : 317 Question Id : 48558434372 Question Type : MCQ Option Shuffling : No Is Question Mandatory : No Calculator : None Response Time : N.A Think Time : N.A Minimum Instruction Time : 0

Correct Marks : 5 Wrong Marks : 1

Question Key Details :

Key	Value
Comprehension	MCQ

Who formed DMK as a political party in 1949

1. Ram Manohar Lohia
2. C. Natrajan Annadurai
3. C. Kagle
4. Karpoori Thakur

Options :

485584137485. 1
485584137486. 2
485584137487. 3
485584137488. 4

Question Number : 318 Question Id : 48558434373 Question Type : MCQ Option Shuffling : No Is Question Mandatory : No Calculator : None Response Time : N.A Think Time : N.A Minimum Instruction Time : 0

Correct Marks : 5 Wrong Marks : 1

Question Key Details :

Key	Value
Comprehension	MCQ

Under the provision of which Article in Indian constitution government could declare a state of emergency on ground of external threat or internal disturbance.

1. Article 362
2. Article 352
3. Article 372
4. Article 382

Options :

485584137489. 1
485584137490. 2
485584137491. 3
485584137492. 4

Question Number : 319 Question Id : 48558434374 Question Type : MCQ Option Shuffling : No Is Question Mandatory : No Calculator : None Response Time : N.A Think Time : N.A Minimum Instruction Time : 0

Correct Marks : 5 Wrong Marks : 1

Question Key Details :

Key	Value
Comprehension	MCQ

in which year the Janta Party government appointed a commission of inquiry headed by Justice J. C. Shah.

1. May 1977
2. June 1977
3. July 1977
4. August 1977

Options :

485584137493. 1
485584137494. 2
485584137495. 3
485584137496. 4

Question Number : 320 Question Id : 48558434375 Question Type : MCQ Option Shuffling : No Is Question Mandatory : No Calculator : None Response Time : N.A Think Time : N.A Minimum Instruction Time : 0

Correct Marks : 5 Wrong Marks : 1

Question Key Details :

Key	Value
Comprehension	MCQ

Dalit Panthers, a militant organisation of the Dalit youth was formed in which state

1. Gujarat
2. Andhra Pradesh
3. Maharashtra
4. Bihar

Options :

485584137497. 1
485584137498. 2
485584137499. 3
485584137500. 4

Question Number : 321 Question Id : 48558434376 Question Type : MCQ Option Shuffling : No Is Question Mandatory : No Calculator : None Response Time : N.A Think Time : N.A Minimum Instruction Time : 0

Correct Marks : 5 Wrong Marks : 1

Question Key Details :

Key	Value
Comprehension	MCQ

Write the full form of BKU

1. Bharat Keval Union
2. Bharat Kisan Union
3. Bharat Karma union
4. Bhartiya Kisan United

Options :

485584137501. 1
485584137502. 2
485584137503. 3
485584137504. 4

Question Number : 322 Question Id : 48558434377 Question Type : MCQ Option Shuffling : No Is Question Mandatory : No Calculator : None Response Time : N.A Think Time : N.A Minimum Instruction Time : 0

Correct Marks : 5 Wrong Marks : 1

Question Key Details :

Key	Value
Comprehension	MCQ

Turning their back to the
Sun they prayed through centuries
Now, now we must refuse
to be pilgrims of darkness

Who is the author of above poem

1. Eleanor Zelliot
2. Namdeo Dhasal
3. Golpitha
4. Jayanti Karvay

Options :

485584137505. 1
485584137506. 2
485584137507. 3
485584137508. 4

Question Number : 323 Question Id : 48558434378 Question Type : MCQ Option Shuffling : No Is Question Mandatory : No Calculator : None Response Time : N.A Think Time : N.A Minimum Instruction Time : 0

Correct Marks : 5 Wrong Marks : 1

Question Key Details :

Key	Value
Comprehension	MCQ

The slogan of "Anti Arrack Movement in Andhra Pradesh was

1. Say no to liquor
2. Stop liquor
3. Prohibition on the sale of arrack
4. Stop arrack save lives

Options :

485584137509. 1
485584137510. 2
485584137511. 3
485584137512. 4

Question Number : 324 Question Id : 48558434379 Question Type : MCQ Option Shuffling : No Is Question Mandatory : No Calculator : None Response Time : N.A Think Time : N.A Minimum Instruction Time : 0

Correct Marks : 5 Wrong Marks : 1

Question Key Details :

Key	Value
Comprehension	MCQ

Who was known as 'Periyar'

1. E. V. Ramasami Naicker
2. Sheikh Abdulla
3. E. V. Ramanujan
4. E. S. Naiyekar

Options :

485584137513. 1
485584137514. 2
485584137515. 3
485584137516. 4

Question Number : 325 Question Id : 48558434380 Question Type : MCQ Option Shuffling : No Is Question Mandatory : No Calculator : None Response Time : N.A Think Time : N.A Minimum Instruction Time : 0

Correct Marks : 5 Wrong Marks : 1

Question Key Details :

Key	Value
Comprehension	MCQ

Write the full form of 'AASU'

1. All Assam Students Union
2. All Assam Samarathak Union
3. All Assam Samman Union
4. All Assam Student united

Options :

485584137517. 1
485584137518. 2
485584137519. 3
485584137520. 4

Question Number : 326 Question Id : 48558434381 Question Type : MCQ Option Shuffling : No Is Question Mandatory : No Calculator : None Response Time : N.A Think Time : N.A Minimum Instruction Time : 0

Correct Marks : 5 Wrong Marks : 1

Question Key Details :

Key	Value
Comprehension	MCQ

Who advocated the Charbuja Rajniti

1. Ram Manohar Lohia
2. Ram Thakur
3. Lala Lajpat Rai
4. Atal Bihari Vajpayee

Options :

485584137521. 1
485584137522. 2
485584137523. 3
485584137524. 4

Question Number : 327 Question Id : 48558434382 Question Type : MCQ Option Shuffling : No Is Question Mandatory : No Calculator : None Response Time : N.A Think Time : N.A Minimum Instruction Time : 0

Correct Marks : 5 Wrong Marks : 1

Question Key Details :

Key	Value
Comprehension	MCQ

BRIC was formed in which year

1. 2005
2. 2006
3. 2007
4. 2008

Options :

- 485584137525. 1
- 485584137526. 2
- 485584137527. 3
- 485584137528. 4

Question Number : 328 Question Id : 48558434383 Question Type : MCQ Option Shuffling : No Is Question Mandatory : No Calculator : None Response Time : N.A Think Time : N.A Minimum Instruction Time : 0

Correct Marks : 5 Wrong Marks : 1

Question Key Details :

Key	Value
Comprehension	MCQ

Full form of NITI Aayog :

1. National Institution for Transforming India
2. National Institution for Testing India
3. National Institution for Total India
4. national Integration of total India

Options :

- 485584137529. 1
- 485584137530. 2
- 485584137531. 3
- 485584137532. 4

Question Number : 329 Question Id : 48558434384 Question Type : MCQ Option Shuffling : No Is Question Mandatory : No Calculator : None Response Time : N.A Think Time : N.A Minimum Instruction Time : 0

Correct Marks : 5 Wrong Marks : 1

Question Key Details :

Key	Value
Comprehension	MCQ

Match List I with List II

LIST I		LIST II	
A.	IAEA	I.	2006
B.	World Bank	II.	1995
C.	human Rights Council	III.	1957
D.	WTO	IV.	1944

Choose the correct answer from the options given below:

1. A-IV, B-I, C-II, D-III
2. A-I, B-II, C-III, D-IV
3. A-III, B-IV, C-I, D-II
4. A-II, B-III, C-I, D-IV

Options :

485584137533. 1
485584137534. 2
485584137535. 3
485584137536. 4

Question Number : 330 Question Id : 48558434385 Question Type : MCQ Option Shuffling : No Is Question Mandatory : No Calculator : None Response Time : N.A Think Time : N.A Minimum Instruction Time : 0

Correct Marks : 5 Wrong Marks : 1

Question Key Details :

Key	Value
Comprehension	MCQ

Match List I with List II

LIST I		LIST II	
A.	Maulana Abul Kalam	I.	President of Congress Socialist Party
B.	Rajkumari Amrit Kaur	II.	First Education Minister
C.	Acharya Narendra Dev	III.	Political leader from Kerala
D.	A K Gopalan	IV.	First Health Minister

Choose the correct answer from the options given below:

1. A-II, B-I, C-IV, D-III
2. A-I, B-IV, C-III, D-II
3. A-II, B-IV, C-I, D-III
4. A-IV, B-II, C-I, D-III

Options :

485584137537. 1

485584137538. 2
485584137539. 3
485584137540. 4

Question Number : 331 Question Id : 48558434386 Question Type : MCQ Option Shuffling : No Is Question Mandatory : No Calculator : None Response Time : N.A Think Time : N.A Minimum Instruction Time : 0

Correct Marks : 5 Wrong Marks : 1

Question Key Details :

Key	Value
Comprehension	MCQ

Choose the wrong statement about Jagjivan Ram from the following options:

1. Member of Parliament since 1952 till his death.
2. Freedom fighter and Congress leader from Bihar
3. Finance Minister in the first Ministry of free India
4. Deputy Prime Minister of India (1977-1979)

Options :

485584137541. 1
485584137542. 2
485584137543. 3
485584137544. 4

Question Number : 332 Question Id : 48558434387 Question Type : MCQ Option Shuffling : No Is Question Mandatory : No Calculator : None Response Time : N.A Think Time : N.A Minimum Instruction Time : 0

Correct Marks : 5 Wrong Marks : 1

Question Key Details :

Key	Value
Comprehension	MCQ

Arrange the following Prime Ministers in chronological order of their tenure.

- A. Narendra Modi
- B. Chandra Shekhar
- C. V. P. Singh
- D. P. V. Narsimha Rao
- E. Manmohan Singh

Choose the most appropriate answer from the options given below:

1. C, B, D, E, A only
2. B, C, D, E, A only
3. D, B, C, E, A only
4. C, D, B, E, A only

Options :

485584137545. 1
485584137546. 2

485584137547. 3

485584137548. 4

Question Number : 333 Question Id : 48558434388 Question Type : MCQ Option Shuffling : No Is Question Mandatory : No Calculator : None Response Time : N.A Think Time : N.A Minimum Instruction Time : 0

Correct Marks : 5 Wrong Marks : 1

Question Key Details :

Key	Value
Comprehension	MCQ

UNHCR stands for-

1. The United Nations High Commission For Refugees.
2. The United National High Commission For Refugees.
3. The United Nations High Commission for Refugees.
4. The United Nations Health Commission for Refugees.

Options :

485584137549. 1

485584137550. 2

485584137551. 3

485584137552. 4

Question Number : 334 Question Id : 48558434389 Question Type : MCQ Option Shuffling : No Is Question Mandatory : No Calculator : None Response Time : N.A Think Time : N.A Minimum Instruction Time : 0

Correct Marks : 5 Wrong Marks : 1

Question Key Details :

Key	Value
Comprehension	MCQ

Who announced the formation of a separate Andhra state in December 1952

1. First Deputy Prime Minister of an independent India
2. First Home Minister of an independent India
3. Chief Minister of Madras
4. First Prime Minister of an independent India

Options :

485584137553. 1

485584137554. 2

485584137555. 3

485584137556. 4

Question Number : 335 Question Id : 48558434390 Question Type : MCQ Option Shuffling : No Is Question Mandatory : No Calculator : None Response Time : N.A Think Time : N.A Minimum Instruction Time : 0

Correct Marks : 5 Wrong Marks : 1

Question Key Details :

Key	Value
-----	-------

- A. The green revolution resulted in the rise of what is called the middle peasant sections.
 B. After green revolution Uttar Pradesh, Bihar and Madhya Pradesh became agriculturally prosperous.
 C. The green revolution delivered only a moderate agriculture growth and raised the availability of food in the country.
 D. In 1982 the rural development programme called operation flood was started.

Choose the correct answer from the options given below:

1. A and C only
2. A and D only
3. C and D only
4. B and C only

Options :

485584137557. 1
 485584137558. 2
 485584137559. 3
 485584137560. 4

Question Number : 336 Question Id : 48558434391 Question Type : MCQ Option Shuffling : No Is Question Mandatory : No Calculator : None Response Time : N.A Think Time : N.A Minimum Instruction Time : 0

Correct Marks : 5 Wrong Marks : 1

Question Key Details :

Key	Value
Comprehension	MCQ

When did the Government of India replaced the Planning Commission with a new institution named "NITI Ayog"

1. 1 January 2014
2. 1 January 2016
3. 1 January 2019
4. 1 January 2015

Options :

485584137561. 1
 485584137562. 2
 485584137563. 3
 485584137564. 4

Question Number : 337 Question Id : 48558434392 Question Type : MCQ Option Shuffling : No Is Question Mandatory : No Calculator : None Response Time : N.A Think Time : N.A Minimum Instruction Time : 0

Correct Marks : 5 Wrong Marks : 1

Question Key Details :

Key	Value
Comprehension	MCQ

The idea of Planning in India was drawn from:-

- A. The Bombay Plan
- B. Experiences of the Soviet bloc countries
- C. Gandhian vision of Society
- D. Demand by Peasant Organisation
- E. Self Sufficiency

Choose the correct answer from the options given below:

- 1. B and D only
- 2. D and C only
- 3. A and B only
- 4. A only

Options :

- 485584137565. 1
- 485584137566. 2
- 485584137567. 3
- 485584137568. 4

Question Number : 338 Question Id : 48558434393 Question Type : MCQ Option Shuffling : No Is Question Mandatory : No Calculator : None Response Time : N.A Think Time : N.A Minimum Instruction Time : 0

Correct Marks : 5 Wrong Marks : 1

Question Key Details :

Key	Value
Comprehension	MCQ

What led to the era of coalition government at the centre after 1989:

- 1. Due to rise of communist party.
- 2. Weaking of the congress system.
- 3. Due to death of Rajiv Gandhi
- 4. Due to implementation of recommendation by Mandal Commission

Options :

- 485584137569. 1
- 485584137570. 2
- 485584137571. 3
- 485584137572. 4

Question Number : 339 Question Id : 48558434394 Question Type : MCQ Option Shuffling : No Is Question Mandatory : No Calculator : None Response Time : N.A Think Time : N.A Minimum Instruction Time : 0

Correct Marks : 5 Wrong Marks : 1

Question Key Details :

Key	Value
Comprehension	MCQ

Match List I with List II

LIST I Incident		LIST II Year	
A.	Formation of NATO	I.	1947
B.	Cuban Missile Crisis	II.	1956
C.	Truman's Doctrine	III.	1949
D.	Soviet intervention in Hungary	IV.	1962

Choose the correct answer from the options given below:

1. A-III, B-IV, C-II, D-I
2. A-III, B-IV, C-I, D-II
3. A-I, B-II, C-III, D-IV
4. A-II, B-I, C-III, D-IV

Options :

485584137573. 1
485584137574. 2
485584137575. 3
485584137576. 4

Question Number : 340 Question Id : 48558434395 Question Type : MCQ Option Shuffling : No Is Question Mandatory : No Calculator : None Response Time : N.A Think Time : N.A Minimum Instruction Time : 0

Correct Marks : 5 Wrong Marks : 1

Question Key Details :

Key	Value
Comprehension	MCQ

Which of the Given leader is not the founding Member of NAM?

1. Josip Broz Tito
2. Jawaharlal Nehru
3. Indira Gandhi
4. Sukarno

Options :

485584137577. 1
485584137578. 2
485584137579. 3
485584137580. 4

Sub-Section Number :

2

Sub-Section Id :

4855842546

Question Shuffling Allowed :

No

Is Section Default? :

null

Question Number : 341 Question Id : 48558434396 Question Type : MCQ Option Shuffling : No Is Question Mandatory : No Calculator : None Response Time : N.A Think Time : N.A Minimum Instruction Time : 0

Correct Marks : 5 Wrong Marks : 1

Question Key Details :

Key	Value
Comprehension	Comp1

Read the passage given below to answer

In spite of the many conflicts, the states of South Asia recognize the importance of cooperation and friendly relationship among themselves. The South Asian association for regional Cooperation (SAARC) is a major regional initiative by the South Asian states to evolve cooperation through multilateral means. It began in 1985. Unfortunately, due to persisting political differences, SAARC has not had much success. SAARC members signed the South Asian Free Trade (SAFTA) agreement which promised the formation of a free trade zone for the whole of South Asia.

The SAFTA agreement was signed in 2004 and came into effect on 1 January 2006. India thinks that there are real economic benefits for all SAFTA. Some in India think that SAFTA is not worth the trouble since India already has bilateral agreements with Bhutan, Nepal and Shri Lanka.

What statement is correct about SAARC

1. SAARC began in 1986
2. SAARC is an association of East Asian Nations
3. SAARC members signed South Asian Free Trade (SAFTA) Agreement
4. SAARC is a highly successful regional organisation

Options :

485584137581. 1

485584137582. 2

485584137583. 3

485584137584. 4

Question Number : 342 Question Id : 48558434397 Question Type : MCQ Option Shuffling : No Is Question Mandatory : No Calculator : None Response Time : N.A Think Time : N.A Minimum Instruction Time : 0

Correct Marks : 5 Wrong Marks : 1

Question Key Details :

Key	Value
Comprehension	Comp1

Read the passage given below to answer

In spite of the many conflicts, the states of South Asia recognize the importance of cooperation and friendly relationship among themselves. The South Asian association for regional Cooperation (SAARC) is a major regional initiative by the South Asian states to evolve cooperation through multilateral means. It began in 1985. Unfortunately, due to persisting political differences, SAARC has not had much success. SAARC members signed the South Asian Free Trade (SAFTA) agreement which promised the formation of a free trade zone for the whole of South Asia.

The SAFTA agreement was signed in 2004 and came into effect on 1 January 2006. India thinks that there are real economic benefits for all SAFTA. Some in India think that SAFTA is not worth the trouble since India already has bilateral agreements with Bhutan, Nepal and Shri Lanka.

State the years correctly when the agreement SAFTA was signed and came into effect:-

1. 2006 and 2007
2. 2004 and 2005
3. 2004 and 2006
4. 2008 and 2009

Options :

- 485584137585. 1
- 485584137586. 2
- 485584137587. 3
- 485584137588. 4

Question Number : 343 Question Id : 48558434398 Question Type : MCQ Option Shuffling : No Is Question Mandatory : No Calculator : None Response Time : N.A Think Time : N.A Minimum Instruction Time : 0

Correct Marks : 5 Wrong Marks : 1

Question Key Details :

Key	Value
Comprehension	Comp1

Read the passage given below to answer

In spite of the many conflicts, the states of South Asia recognize the importance of cooperation and friendly relationship among themselves. The South Asian association for regional Cooperation (SAARC) is a major regional initiative by the South Asian states to evolve cooperation through multilateral means. It began in 1985. Unfortunately, due to persisting political differences, SAARC has not had much success. SAARC members signed the South Asian Free Trade (SAFTA) agreement which promised the formation of a free trade zone for the whole of South Asia.

The SAFTA agreement was signed in 2004 and came into effect on 1 January 2006. India thinks that there are real economic benefits for all SAFTA. Some in India think that SAFTA is not worth the trouble since India already has bilateral agreements with Bhutan, Nepal and Shri Lanka.

Complete the following:

SAARC has been evolved for cooperation through which of the following means

1. Multilateral
2. Bilateral
3. Unilateral
4. Tripartite

Options :

485584137589. 1
485584137590. 2
485584137591. 3
485584137592. 4

Question Number : 344 Question Id : 48558434399 Question Type : MCQ Option Shuffling : No Is Question Mandatory : No Calculator : None Response Time : N.A Think Time : N.A Minimum Instruction Time : 0

Correct Marks : 5 Wrong Marks : 1

Question Key Details :

Key	Value
Comprehension	Comp1

Read the passage given below to answer

In spite of the many conflicts, the states of South Asia recognize the importance of cooperation and friendly relationship among themselves. The South Asian association for regional Cooperation (SAARC) is a major regional initiative by the South Asian states to evolve cooperation through multilateral means. It began in 1985. Unfortunately, due to persisting political differences, SAARC has not had much success. SAARC members signed the South Asian Free Trade (SAFTA) agreement which promised the formation of a free trade zone for the whole of South Asia.

The SAFTA agreement was signed in 2004 and came into effect on 1 January 2006. India thinks that there are real economic benefits for all SAFTA. Some in India think that SAFTA is not worth the trouble since India already has bilateral agreements with Bhutan, Nepal and Shri Lanka.

The full form of SAARC is

1. South Asian Amalgamation for Regional Cooperation
2. South Asian Association for Regional Cooperation
3. South African Association for Regional Cooperation
4. South Asian Association for Research and Cooperation

Options :

485584137593. 1
485584137594. 2
485584137595. 3
485584137596. 4

Question Number : 345 Question Id : 48558434400 Question Type : MCQ Option Shuffling : No Is Question Mandatory : No Calculator : None Response Time : N.A Think Time : N.A Minimum Instruction Time : 0

Correct Marks : 5 Wrong Marks : 1

Question Key Details :

Key	Value
Comprehension	Comp1

Read the passage given below to answer

In spite of the many conflicts, the states of South Asia recognize the importance of cooperation and friendly relationship among themselves. The South Asian association for regional Cooperation (SAARC) is a major regional initiative by the South Asian states to evolve cooperation through multilateral means. It began in 1985. Unfortunately, due to persisting political differences, SAARC has not had much success. SAARC members signed the South Asian Free Trade (SAFTA) agreement which promised the formation of a free trade zone for the whole of South Asia.

The SAFTA agreement was signed in 2004 and came into effect on 1 January 2006. India thinks that there are real economic benefits for all SAFTA. Some in India think that SAFTA is not worth the trouble since India already has bilateral agreements with Bhutan, Nepal and Shri Lanka.

The following agreement promised the formation of a free trade zone for the whole of South Asia

1. WTO
2. BAFTA
3. SAARC
4. SAFTA

Options :

- 485584137597. 1
- 485584137598. 2
- 485584137599. 3
- 485584137600. 4

Sub-Section Number : 3
Sub-Section Id : 4855842547
Question Shuffling Allowed : No
Is Section Default? : null

Question Number : 346 Question Id : 48558434401 Question Type : MCQ Option Shuffling : No Is Question Mandatory : No Calculator : None Response Time : N.A Think Time : N.A Minimum Instruction Time : 0

Correct Marks : 5 Wrong Marks : 1

Question Key Details :

Key	Value
Comprehension	Comp2

Globalisation is a multi-dimensional concept. It has political, economic and cultural manifestations, and these must be adequately distinguished. The impact of globalisation is vastly uneven. It affects some societies more than others. It is important to avoid drawing general conclusions about the impact of globalisation without paying sufficient attention to specific contexts. Globalisation as a concept fundamentally deals with flows. These flows could be of various kinds- ideas moving from one part of the world to another, capital shunted between two or more places, commodities being traded across borders, and people moving in search of better livelihoods to different parts of the world.

Globalisation is a most dimensional concept because it deals with:

1. Political, economic, cultural etc aspects.
2. Democratic countries only
3. Economic Aspect
4. MNC's

Options :

- 485584137601. 1
- 485584137602. 2
- 485584137603. 3
- 485584137604. 4

Question Number : 347 Question Id : 48558434402 Question Type : MCQ Option Shuffling : No Is Question Mandatory : No Calculator : None Response Time : N.A Think Time : N.A Minimum Instruction Time : 0

Correct Marks : 5 Wrong Marks : 1

Question Key Details :

Key	Value
Comprehension	Comp2

Globalisation is a multi-dimensional concept. It has political, economic and cultural manifestations, and these must be adequately distinguished. The impact of globalisation is vastly uneven. It affects some societies more than others. It is important to avoid drawing general conclusions about the impact of globalisation without paying sufficient attention to specific contexts. Globalisation as a concept fundamentally deals with flows. These flows could be of various kinds- ideas moving from one part of the world to another, capital shunted between two or more places, commodities being traded across borders, and people moving in search of better livelihoods to different parts of the world.

It is important to avoid a general conclusion about Globalisation because:-

1. It's impact will vary due to different contexts.
2. There are different winds of Globalisation.
3. It is not a world-wide phenomenon.
4. Only the developed world is involved.

Options :

- 485584137605. 1
- 485584137606. 2

485584137607. 3

485584137608. 4

Question Number : 348 Question Id : 48558434403 Question Type : MCQ Option Shuffling : No Is Question Mandatory : No Calculator : None Response Time : N.A Think Time : N.A Minimum Instruction Time : 0

Correct Marks : 5 Wrong Marks : 1

Question Key Details :

Key	Value
Comprehension	Comp2

Globalisation is a multi-dimensional concept. It has political, economic and cultural manifestations, and these must be adequately distinguished. The impact of globalisation is vastly uneven. It affects some societies more than others. It is important to avoid drawing general conclusions about the impact of globalisation without paying sufficient attention to specific contexts. Globalisation as a concept fundamentally deals with flows. These flows could be of various kinds- ideas moving from one part of the world to another, capital shunted between two or more places, commodities being traded across borders, and people moving in search of better livelihoods to different parts of the world.

The process of Globalisation

- A. affects almost every society.
- B. involves flow of various kinds.
- C. Does not deal with Individual.
- D. Wherein commodities cannot be traded across borders.
- E. impact varies on the basis of context.

Choose the correct answer from the options given below:

- 1. A, B, C only
- 2. A, B, E only
- 3. B, C, E only
- 4. A, D, E only

Options :

485584137609. 1

485584137610. 2

485584137611. 3

485584137612. 4

Question Number : 349 Question Id : 48558434404 Question Type : MCQ Option Shuffling : No Is Question Mandatory : No Calculator : None Response Time : N.A Think Time : N.A Minimum Instruction Time : 0

Correct Marks : 5 Wrong Marks : 1

Question Key Details :

Key	Value
Comprehension	Comp2

Globalisation is a multi-dimensional concept. It has political, economic and cultural manifestations, and these must be adequately distinguished. The impact of globalisation is vastly uneven. It affects some societies more than others. It is important to avoid drawing general conclusions about the impact of globalisation without paying sufficient attention to specific contexts. Globalisation as a concept fundamentally deals with flows. These flows could be of various kinds- ideas moving from one part of the world to another, capital shunted between two or more places, commodities being traded across borders, and people moving in search of better livelihoods to different parts of the world.

- A. Due to Globalisation, the states become borderless.
- B. Due to Globalisation, the borders have become blurred.
- C. Due to Globalisation, borders don't get affected.
- D. Due to Globalisation, there is flow of commodities and goods.
- E. Due to Globalisation, there is flow of capital and people.

Choose the correct answer from the options given below:

- 1. A, B, D, E only
- 2. A, B, C, D only
- 3. B, C, D, E only
- 4. A, C, D, E only

Options :

- 485584137613. 1
- 485584137614. 2
- 485584137615. 3
- 485584137616. 4

Question Number : 350 Question Id : 48558434405 Question Type : MCQ Option Shuffling : No Is Question Mandatory : No Calculator : None Response Time : N.A Think Time : N.A Minimum Instruction Time : 0

Correct Marks : 5 Wrong Marks : 1

Question Key Details :

Key	Value
Comprehension	Comp2

Globalisation is a multi-dimensional concept. It has political, economic and cultural manifestations, and these must be adequately distinguished. The impact of globalisation is vastly uneven. It affects some societies more than others. It is important to avoid drawing general conclusions about the impact of globalisation without paying sufficient attention to specific contexts. Globalisation as a concept fundamentally deals with flows. These flows could be of various kinds- ideas moving from one part of the world to another, capital shunted between two or more places, commodities being traded across borders, and people moving in search of better livelihoods to different parts of the world.

Choose the incorrect from the following:-

1. World Bank is an international organisation.
2. World Bank provides loan to member-countries as well as non-member countries.
3. World Bank influences the economic policy of the developing countries.
4. World Bank Works for human development, agriculture and rural development, environment protection, governance, to name a few.

Options :

485584137617. 1
485584137618. 2
485584137619. 3
485584137620. 4

Sanskrit Lang

Group Number :	13
Group Id :	485584780
Group Maximum Duration :	45
Group Minimum Duration :	45
Show Attended Group? :	No
Edit Attended Group? :	No
Break time :	0
Group Marks :	200
Is this Group for Examiner? :	No
Examiner permission :	Can't View
Show Progress Bar? :	No

Sanskrit Lang

Section Id :	485584898
Section Number :	1
Section type :	Online
Mandatory or Optional :	Mandatory
Number of Questions :	50
Number of Questions to be attempted :	40
Section Marks :	200
Enable Mark as Answered Mark for Review and Clear Response :	Yes
Maximum Instruction Time :	0
Sub-Section Number :	1
Sub-Section Id :	4855842548
Question Shuffling Allowed :	No
Is Section Default? :	null
Sub-Section Number :	2
Sub-Section Id :	4855842549
Question Shuffling Allowed :	No
Is Section Default? :	null
Sub-Section Number :	3

Sub-Section Id : 4855842550
Question Shuffling Allowed : No
Is Section Default? : null
Sub-Section Number : 4
Sub-Section Id : 4855842551
Question Shuffling Allowed : Yes
Is Section Default? : null

Sociology

Group Number : 14
Group Id : 485584781
Group Maximum Duration : 45
Group Minimum Duration : 45
Show Attended Group? : No
Edit Attended Group? : No
Break time : 0
Group Marks : 200
Is this Group for Examiner? : No
Examiner permission : Cant View
Show Progress Bar? : No

Sociology

Section Id : 485584899
Section Number : 1
Section type : Online
Mandatory or Optional : Mandatory
Number of Questions : 50
Number of Questions to be attempted : 40
Section Marks : 200
Enable Mark as Answered Mark for Review and Clear Response : Yes
Maximum Instruction Time : 0
Sub-Section Number : 1
Sub-Section Id : 4855842552
Question Shuffling Allowed : Yes
Is Section Default? : null

Question Number : 351 Question Id : 48558434506 Question Type : MCQ Option Shuffling : No Is Question Mandatory : No Calculator : None Response Time : N.A Think Time : N.A Minimum Instruction Time : 0

Correct Marks : 5 Wrong Marks : 1

Question Key Details :

Key	Value
Comprehension	MCQ

Wrights milla is a well known:

1. French sociologist
2. American sociologist
3. German sociologist
4. British sociologist

Options :

485584138021. 1
485584138022. 2
485584138023. 3
485584138024. 4

Question Number : 352 Question Id : 48558434507 Question Type : MCQ Option Shuffling : No Is Question Mandatory : No Calculator : None Response Time : N.A Think Time : N.A Minimum Instruction Time : 0

Correct Marks : 5 Wrong Marks : 1

Question Key Details :

Key	Value
Comprehension	MCQ

The concept of 'failure of entitlements has been given by:

1. Amartya Sen
2. Emile Durkheim
3. Abhijit Banerjee
4. Thomas Robert Malthus

Options :

485584138025. 1
485584138026. 2
485584138027. 3
485584138028. 4

Question Number : 353 Question Id : 48558434508 Question Type : MCQ Option Shuffling : No Is Question Mandatory : No Calculator : None Response Time : N.A Think Time : N.A Minimum Instruction Time : 0

Correct Marks : 5 Wrong Marks : 1

Question Key Details :

Key	Value
Comprehension	MCQ

A systematic study of population is called

1. Polygraphy
2. Sesmiography
3. Oceanography
4. Demography

Options :

485584138029. 1
485584138030. 2
485584138031. 3
485584138032. 4

Question Number : 354 Question Id : 48558434509 Question Type : MCQ Option Shuffling : No Is Question Mandatory : No Calculator : None Response Time : N.A Think Time : N.A Minimum Instruction Time : 0

Correct Marks : 5 Wrong Marks : 1

Question Key Details :

Key	Value
Comprehension	MCQ

Match List I with List II

LIST I		LIST II	
A.	Population momentum	I.	Voluntary action to reduce population growth
B.	Demographic Divident	II.	Large cohort of women at reproduct age
C.	Population pyramid	III.	Group data in term of gender and age
D.	Preventive check	IV.	Higher population of workers compared to non-workers

Choose the correct answer from the options given below:

1. A-III, B-I, C-IV, D-II
2. A-II, B-IV, C-III, D-I
3. A-I, B-III, C-II, D-IV
4. A-IV, B-II, C-I, D-III

Options :

485584138033. 1
485584138034. 2
485584138035. 3
485584138036. 4

Question Number : 355 Question Id : 48558434510 Question Type : MCQ Option Shuffling : No Is Question Mandatory : No Calculator : None Response Time : N.A Think Time : N.A Minimum Instruction Time : 0

Correct Marks : 5 Wrong Marks : 1

Question Key Details :

Key	Value
Comprehension	MCQ

Match List I with List II

LIST I		LIST II	
A.	Welth of Nation	I.	Mask Weber
B.	Capitalism	II.	Alfred Gell
C.	Status symbol	III.	Adam Smith
D.	Heirarchial social group	IV.	Karl Mark

Choose the correct answer from the options given below:

1. A-III, B-I, C-II, D-IV
2. A-III, B-II, C-I, D-IV
3. A-III, B-IV, C-I, D-II
4. A-III, B-I, C-IV, D-II

Options :

- 485584138037. 1
- 485584138038. 2
- 485584138039. 3
- 485584138040. 4

Question Number : 356 Question Id : 48558434511 Question Type : MCQ Option Shuffling : No Is Question Mandatory : No Calculator : None Response Time : N.A Think Time : N.A Minimum Instruction Time : 0

Correct Marks : 5 Wrong Marks : 1

Question Key Details :

Key	Value
Comprehension	MCQ

The criteria for inclusion in civil society is that the organisation should lie:

1. Commercial
2. State controlled
3. Non-State controlled
4. Profit making

Options :

- 485584138041. 1
- 485584138042. 2
- 485584138043. 3
- 485584138044. 4

Question Number : 357 Question Id : 48558434512 Question Type : MCQ Option Shuffling : No Is Question Mandatory : No Calculator : None Response Time : N.A Think Time : N.A Minimum Instruction Time : 0

Correct Marks : 5 Wrong Marks : 1

Question Key Details :

Key	Value
Comprehension	MCQ

Match List I with List II

LIST I		LIST II	
A.	Kaka Kalelkar commission	I.	1990
B.	Brahmo Samaj	II.	1828
C.	Karachi session of Indian National Congress	III.	1953
D.	B.P.Mandal commission	IV.	1931

Choose the correct answer from the options given below:

1. A-III, B-II, C-IV, D-I
2. A-IV, B-III, C-II, D-I
3. A-II, B-III, C-I, D-IV
4. A-I, B-II, C-III, D-IV

Options :

- 485584138045. 1
- 485584138046. 2
- 485584138047. 3
- 485584138048. 4

Question Number : 358 Question Id : 48558434513 Question Type : MCQ Option Shuffling : No Is Question Mandatory : No Calculator : None Response Time : N.A Think Time : N.A Minimum Instruction Time : 0

Correct Marks : 5 Wrong Marks : 1

Question Key Details :

Key	Value
Comprehension	MCQ

Arrange the following statement in correct sequence of events

- A. Effort to re-organise into Ethnic-Linguistic states
- B. Indian state continued with British-Indian arrangement of presidency
- C. Vigorous moments among Maratha and Kannada speakers in Bombay and Madras presidency
- D. Pakistan was divided between Urdu and Punjabi speakers in the west and Bengali speakers in the east
- E. Formation of SRC for final approval on Linguistic states

Choose the correct answer from the option given below:

- 1. A, B, E, C, D
- 2. B, A, C, E, D
- 3. B, C, A, E, D
- 4. A, D, C, E, B

Options :

- 485584138049. 1
- 485584138050. 2
- 485584138051. 3
- 485584138052. 4

Question Number : 359 Question Id : 48558434514 Question Type : MCQ Option Shuffling : No Is Question Mandatory : No Calculator : None Response Time : N.A Think Time : N.A Minimum Instruction Time : 0

Correct Marks : 5 Wrong Marks : 1

Question Key Details :

Key	Value
Comprehension	MCQ

The most infamous pandemic was 'Spanish flue'which occurred in the year-

- 1. 2020
- 2. 1957
- 3. 1918
- 4. 1947\

Options :

- 485584138053. 1
- 485584138054. 2
- 485584138055. 3
- 485584138056. 4

Question Number : 360 Question Id : 48558434515 Question Type : MCQ Option Shuffling : No Is Question Mandatory : No Calculator : None Response Time : N.A Think Time : N.A Minimum Instruction Time : 0

Correct Marks : 5 Wrong Marks : 1

Question Key Details :

Key	Value
Comprehension	MCQ

Which article of the constitution of India states the following

"No citizen shall be denied admission into any educational institution, maintained by the state or received out of state funds on grounds only of religion, race, caste, language or any of them"

1. Article 29(1)
2. Article 29(2)
3. Article 30(1)
4. Article 30(2)

Options :

- 485584138057. 1
- 485584138058. 2
- 485584138059. 3
- 485584138060. 4

Question Number : 361 Question Id : 48558434516 Question Type : MCQ Option Shuffling : No Is Question Mandatory : No Calculator : None Response Time : N.A Think Time : N.A Minimum Instruction Time : 0

Correct Marks : 5 Wrong Marks : 1

Question Key Details :

Key	Value
Comprehension	MCQ

Who considered exclusive nationalism to be an evil?

1. J.Nehru
2. R. Tagor
3. B.R. Ambedkar
4. Bhagat Singh

Options :

- 485584138061. 1
- 485584138062. 2
- 485584138063. 3
- 485584138064. 4

Question Number : 362 Question Id : 48558434517 Question Type : MCQ Option Shuffling : No Is Question Mandatory : No Calculator : None Response Time : N.A Think Time : N.A Minimum Instruction Time : 0

Correct Marks : 5 Wrong Marks : 1

Question Key Details :

Key	Value
Comprehension	MCQ

Match List I with List II

LIST I		LIST II	
A.	Zamindari System	I.	Benami transfer
B.	Rayatwari System	II.	Radical restructuring of agrarian structure in Kerala+Bengal
C.	Tenancy abolition and regulation	III.	Less burden of taxation, more proporsion
D.	Land Ceiling	IV.	Agricultural product stagnated/deliver

Choose the correct answer from the options given below:

1. A-III, B-I, C-IV, D-II
2. A-IV, B-II, C-I, D-III
3. A-I, B-II, C-III, D-IV
4. A-IV, B-III, C-II, D-I

Options :

485584138065. 1
485584138066. 2
485584138067. 3
485584138068. 4

Question Number : 363 Question Id : 48558434518 Question Type : MCQ Option Shuffling : No Is Question Mandatory : No Calculator : None Response Time : N.A Think Time : N.A Minimum Instruction Time : 0

Correct Marks : 5 Wrong Marks : 1

Question Key Details :

Key	Value
Comprehension	MCQ

Strike out incorrect statement about Panchayati Raj:-

1. Panchayati Raj translates to "Governance by five individuals"
2. At the base of the structure stands "Gram Sabha"
3. The 74th Amanedment provided a three-tier system of Panchayati Raj
4. Election to these bodies are conducted every five years.

Options :

485584138069. 1
485584138070. 2
485584138071. 3
485584138072. 4

Question Number : 364 Question Id : 48558434519 Question Type : MCQ Option Shuffling : No Is Question Mandatory : No Calculator : None Response Time : N.A Think Time : N.A Minimum Instruction Time : 0

Correct Marks : 5 Wrong Marks : 1

Question Key Details :

Key	Value
Comprehension	MCQ

Read the statements given below and choose the option with the correct sequence of events:

- A. Green revolution introduced in the dry and the semi-arid regions of India 2nd phase
- B. New technology introduced
- C. Displacement of service caste groups.
- D. Increasing Commercialisation

Choose the correct answer from the option given below:

- 1. A, B, C, D
- 2. B, C, A, D
- 3. D, C, A, B
- 4. B, C, D, A

Options :

- 485584138073. 1
- 485584138074. 2
- 485584138075. 3
- 485584138076. 4

Question Number : 365 Question Id : 48558434520 Question Type : MCQ Option Shuffling : No Is Question Mandatory : No Calculator : None Response Time : N.A Think Time : N.A Minimum Instruction Time : 0

Correct Marks : 5 Wrong Marks : 1

Question Key Details :

Key	Value
Comprehension	MCQ

Extended working hours are Legitimesed by the common management, Which in theory, gives the employee freedom to choose his/her working hours. Give the common nomenclature of this process.

- 1. Own-Time
- 2. Flexi-Time
- 3. Me-Time
- 4. Work-From-Home-Time

Options :

- 485584138077. 1
- 485584138078. 2
- 485584138079. 3
- 485584138080. 4

Question Number : 366 Question Id : 48558434521 Question Type : MCQ Option Shuffling : No Is Question Mandatory : No Calculator : None Response Time : N.A Think Time : N.A Minimum Instruction Time : 0

Correct Marks : 5 Wrong Marks : 1

Question Key Details :

Key	Value
Comprehension	MCQ

Disinvestment means:

1. Svaging in the bank
2. Privatisation of public sector or Government companies
3. Open market for global citizens
4. Acquiring small and medium industries

Options :

- 485584138081. 1
- 485584138082. 2
- 485584138083. 3
- 485584138084. 4

Question Number : 367 Question Id : 48558434522 Question Type : MCQ Option Shuffling : No Is Question Mandatory : No Calculator : None Response Time : N.A Think Time : N.A Minimum Instruction Time : 0

Correct Marks : 5 Wrong Marks : 1

Question Key Details :

Key	Value
Comprehension	MCQ

Arrange the following process in chronological order:

- A. Manufacturer branding and selling
- B. Workers rolling the leaves
- C. Plucking of tendu leaves
- D. Selling tendu leaves by contractor to government
- E. Auctions leaves of factory owners

Choose the correct answer from the options given below:

1. C, D, E, B, A
2. C, D, E, A, B
3. C, D, B, A, E
4. C, D, A, E, B

Options :

- 485584138085. 1
- 485584138086. 2
- 485584138087. 3
- 485584138088. 4

Question Number : 368 Question Id : 48558434523 Question Type : MCQ Option Shuffling : No Is Question Mandatory : No Calculator : None Response Time : N.A Think Time : N.A Minimum Instruction Time : 0

Correct Marks : 5 Wrong Marks : 1

Question Key Details :

Key	Value
Comprehension	MCQ

Who has argued nation as an imagined community?

1. J. Gutenleerg
2. Raja Rammohan Roy
3. Vidyasagar
4. Benedict Anderson

Options :

485584138089. 1
485584138090. 2
485584138091. 3
485584138092. 4

Question Number : 369 Question Id : 48558434524 Question Type : MCQ Option Shuffling : No Is Question Mandatory : No Calculator : None Response Time : N.A Think Time : N.A Minimum Instruction Time : 0

Correct Marks : 5 Wrong Marks : 1

Question Key Details :

Key	Value
Comprehension	MCQ

Match List I with List II

LIST I		LIST II	
Nature of work		Industry	
A.	Working conditions	I.	Bidi making, zari making
B.	Recruitment	II.	The mines Act 1952
C.	Management	III.	Jobless
D.	Home based work	IV.	Taylorism

Choose the correct answer from the options given below:

1. A-I, B-II, C-III, D-IV
2. A-III, B-IV, C-I, D-II
3. A-IV, B-I, C-II, D-III
4. A-II, B-III, C-IV, D-I

Options :

485584138093. 1
485584138094. 2
485584138095. 3

Question Number : 370 Question Id : 48558434525 Question Type : MCQ Option Shuffling : No Is Question Mandatory : No Calculator : None Response Time : N.A Think Time : N.A Minimum Instruction Time : 0

Correct Marks : 5 Wrong Marks : 1

Question Key Details :

Key	Value
Comprehension	MCQ

bidi workers are:

- A. Workers who substitute for regular permanent workers.
- B. Contract workers.
- C. Permanent workers.
- D. Workers who receive equal status and security like permanent workers

Choose the correct answer from the options given below:

- 1. C, D Only
- 2. A, B Only
- 3. A, D Only
- 4. B, D Only

Options :

- 485584138097. 1
- 485584138098. 2
- 485584138099. 3
- 485584138100. 4

Question Number : 371 Question Id : 48558434526 Question Type : MCQ Option Shuffling : No Is Question Mandatory : No Calculator : None Response Time : N.A Think Time : N.A Minimum Instruction Time : 0

Correct Marks : 5 Wrong Marks : 1

Question Key Details :

Key	Value
Comprehension	MCQ

The critics of Malthosian theory argued that poverty and Starvation were caused by

- A. Unequal distribution of economic resources
- B. Population growth
- C. injust social system
- D. Privileged minority

Choose the correct answer from the options given below:

- 1. B & D Only
- 2. B & C Only
- 3. A & C Only
- 4. A & B Only

Options :

- 485584138101. 1
- 485584138102. 2
- 485584138103. 3
- 485584138104. 4

Question Number : 372 Question Id : 48558434527 Question Type : MCQ Option Shuffling : No Is Question Mandatory : No Calculator : None Response Time : N.A Think Time : N.A Minimum Instruction Time : 0

Correct Marks : 5 Wrong Marks : 1

Question Key Details :

Key	Value
Comprehension	MCQ

The term used when individual are required to marry outside his/her group:

- 1. Monogamy
- 2. Polygamy
- 3. Endogamy
- 4. Exogamy

Options :

- 485584138105. 1
- 485584138106. 2
- 485584138107. 3
- 485584138108. 4

Question Number : 373 Question Id : 48558434528 Question Type : MCQ Option Shuffling : No Is Question Mandatory : No Calculator : None Response Time : N.A Think Time : N.A Minimum Instruction Time : 0

Correct Marks : 5 Wrong Marks : 1

Question Key Details :

Key	Value
Comprehension	MCQ

Permanent traits in tribes does not include:

1. region
2. Religion
3. language
4. Ecological Habit

Options :

- 485584138109. 1
- 485584138110. 2
- 485584138111. 3
- 485584138112. 4

Question Number : 374 Question Id : 48558434529 Question Type : MCQ Option Shuffling : No Is Question Mandatory : No Calculator : None Response Time : N.A Think Time : N.A Minimum Instruction Time : 0

Correct Marks : 5 Wrong Marks : 1

Question Key Details :

Key	Value
Comprehension	MCQ

The most common features of caste are:

- A. It involves strict rule about marriage.
- B. It involves rules about food and food sharing
- C. It is a matter of choice.
- D. Castes involved subdivisions within themselves.

Choose the correct answer from the options given below:

1. A, B & D Only
2. B, C & D Only
3. A, C & D Only
4. A, B & C Only

Options :

- 485584138113. 1
- 485584138114. 2
- 485584138115. 3
- 485584138116. 4

Question Number : 375 Question Id : 48558434530 Question Type : MCQ Option Shuffling : No Is Question Mandatory : No Calculator : None Response Time : N.A Think Time : N.A Minimum Instruction Time : 0

Correct Marks : 5 Wrong Marks : 1

Question Key Details :

Key	Value
Comprehension	MCQ

Who coined the term 'Status Symbol'?

1. T. K. Domenn
2. Levi Strauss
3. Emile Durkheim
4. Max Weber

Options :

- 485584138117. 1
- 485584138118. 2
- 485584138119. 3
- 485584138120. 4

Question Number : 376 Question Id : 48558434531 Question Type : MCQ Option Shuffling : No Is Question Mandatory : No Calculator : None Response Time : N.A Think Time : N.A Minimum Instruction Time : 0

Correct Marks : 5 Wrong Marks : 1

Question Key Details :

Key	Value
Comprehension	MCQ

Which tribe is matrilineal?

1. Bakarwal
2. Khasi
3. Bhil
4. Santhal

Options :

- 485584138121. 1
- 485584138122. 2
- 485584138123. 3
- 485584138124. 4

Question Number : 377 Question Id : 48558434532 Question Type : MCQ Option Shuffling : No Is Question Mandatory : No Calculator : None Response Time : N.A Think Time : N.A Minimum Instruction Time : 0

Correct Marks : 5 Wrong Marks : 1

Question Key Details :

Key	Value
Comprehension	MCQ

Indian parliamentary and Legal system is based on:

1. French Model
2. Canadian Model
3. British Model
4. Australian Model

Options :

- 485584138125. 1
- 485584138126. 2
- 485584138127. 3
- 485584138128. 4

Question Number : 378 Question Id : 48558434533 Question Type : MCQ Option Shuffling : No Is Question Mandatory : No Calculator : None Response Time : N.A Think Time : N.A Minimum Instruction Time : 0

Correct Marks : 5 Wrong Marks : 1

Question Key Details :

Key	Value
Comprehension	MCQ

Social inequality and exclusion are social because

- A. They are structured
- B. They are systematic
- C. They are unstructured
- D. They are non systematic

Choose the correct answer from the options given below:

1. A & D Only
2. B & C Only
3. A & B Only
4. C & D Only

Options :

- 485584138129. 1
- 485584138130. 2
- 485584138131. 3
- 485584138132. 4

Question Number : 379 Question Id : 48558434534 Question Type : MCQ Option Shuffling : No Is Question Mandatory : No Calculator : None Response Time : N.A Think Time : N.A Minimum Instruction Time : 0

Correct Marks : 5 Wrong Marks : 1

Question Key Details :

Key	Value
Comprehension	MCQ

In 1993 Supreme Court held that Right to Information is part of and incidental to The Right of expression under:

1. Article 19 (1)(A)
2. Article 17
3. Article 20 (1)(B)
4. Article 15

Options :

- 485584138133. 1
- 485584138134. 2
- 485584138135. 3
- 485584138136. 4

Question Number : 380 Question Id : 48558434535 Question Type : MCQ Option Shuffling : No Is Question Mandatory : No Calculator : None Response Time : N.A Think Time : N.A Minimum Instruction Time : 0

Correct Marks : 5 Wrong Marks : 1

Question Key Details :

Key	Value
Comprehension	MCQ

Arrange the following in order of the development of Indian women's struggle for equality.

- A. Raja Rammohan Roy undertook the campaign against Sati
- B. Law became the major site for reform against violence
- C. Karachi Session of INC committed itself to women's equality
- D. Dayanand saraswati stood for women's education based on religious principles

Choose the correct answer from the options given below:

1. D, A, C, B
2. B, D, C, A
3. A, B, C, D
4. A, D, C, B

Options :

- 485584138137. 1
- 485584138138. 2
- 485584138139. 3
- 485584138140. 4

Question Number : 381 Question Id : 48558434536 Question Type : MCQ Option Shuffling : No Is Question Mandatory : No Calculator : None Response Time : N.A Think Time : N.A Minimum Instruction Time : 0

Correct Marks : 5 Wrong Marks : 1

Question Key Details :

Key	Value
Comprehension	MCQ

Arrange the following in chronological sequence (from oldest to newest events)

- A. Champaran Satyagraha
- B. Bihar Provincial Kisan Sabha
- C. Deccan riots
- D. Tebhaga Movement
- E. Bardoli Satyagraha

Choose the correct answer from the options given below:

- 1. D, B, C, A, E
- 2. C, A, E, B, D
- 3. B, D, A, C, E
- 4. A, B, C, D, E

Options :

- 485584138141. 1
- 485584138142. 2
- 485584138143. 3
- 485584138144. 4

Question Number : 382 Question Id : 48558434537 Question Type : MCQ Option Shuffling : No Is Question Mandatory : No Calculator : None Response Time : N.A Think Time : N.A Minimum Instruction Time : 0

Correct Marks : 5 Wrong Marks : 1

Question Key Details :

Key	Value
Comprehension	MCQ

Sanskritization is a process of

- 1. Upward mobility
- 2. Downward mobility
- 3. Intra-generational mobility
- 4. Horizontal mobility

Options :

- 485584138145. 1
- 485584138146. 2
- 485584138147. 3
- 485584138148. 4

Question Number : 383 Question Id : 48558434538 Question Type : MCQ Option Shuffling : No Is Question Mandatory : No Calculator : None Response Time : N.A Think Time : N.A Minimum Instruction Time : 0

Correct Marks : 5 Wrong Marks : 1

Question Key Details :

Key	Value
Comprehension	MCQ

Out of the following which is the dominant caste in Andhra Pradesh?

1. Lingayats
2. Kammas
3. Jat
4. Sikhs

Options :

- 485584138149. 1
- 485584138150. 2
- 485584138151. 3
- 485584138152. 4

Question Number : 384 Question Id : 48558434539 Question Type : MCQ Option Shuffling : No Is Question Mandatory : No Calculator : None Response Time : N.A Think Time : N.A Minimum Instruction Time : 0

Correct Marks : 5 Wrong Marks : 1

Question Key Details :

Key	Value
Comprehension	MCQ

In the decocratic form of government who are the key actors?

1. Industrialists
2. Political Parties
3. People
4. NGO's

Options :

- 485584138153. 1
- 485584138154. 2
- 485584138155. 3
- 485584138156. 4

Question Number : 385 Question Id : 48558434540 Question Type : MCQ Option Shuffling : No Is Question Mandatory : No Calculator : None Response Time : N.A Think Time : N.A Minimum Instruction Time : 0

Correct Marks : 5 Wrong Marks : 1

Question Key Details :

Key	Value
Comprehension	MCQ

Which amendment provided a three-tier system of Panchayati Raj for all states having a population of over twenty lakh.

1. The 92nd Amendment
2. The 73rd Amendment
3. The 56th Amendment
4. The 83rd Amendment

Options :

- 485584138157. 1
- 485584138158. 2
- 485584138159. 3
- 485584138160. 4

Question Number : 386 Question Id : 48558434541 Question Type : MCQ Option Shuffling : No Is Question Mandatory : No Calculator : None Response Time : N.A Think Time : N.A Minimum Instruction Time : 0

Correct Marks : 5 Wrong Marks : 1

Question Key Details :

Key	Value
Comprehension	MCQ

An economy where the workforce involved in Design, Development, Technology, Marketing, Sales and Services is known as:-

1. Knowledge economy
2. Developed economy
3. Developing
4. Electronic economy

Options :

- 485584138161. 1
- 485584138162. 2
- 485584138163. 3
- 485584138164. 4

Question Number : 387 Question Id : 48558434542 Question Type : MCQ Option Shuffling : No Is Question Mandatory : No Calculator : None Response Time : N.A Think Time : N.A Minimum Instruction Time : 0

Correct Marks : 5 Wrong Marks : 1

Question Key Details :

Key	Value
Comprehension	MCQ

India's first long running soap opera was:

1. Hum log
2. Buniyaad
3. Ramayana
4. Mahabharata

Options :

- 485584138165. 1
- 485584138166. 2
- 485584138167. 3
- 485584138168. 4

Question Number : 388 Question Id : 48558434543 Question Type : MCQ Option Shuffling : No Is Question Mandatory : No Calculator : None Response Time : N.A Think Time : N.A Minimum Instruction Time : 0

Correct Marks : 5 Wrong Marks : 1

Question Key Details :

Key	Value
Comprehension	MCQ

Who wrote Unquite Woods?

1. Karl Marx
2. Ramchandra Guha
3. Dipanker Gupta
4. M.N.Srinivas

Options :

- 485584138169. 1
- 485584138170. 2
- 485584138171. 3
- 485584138172. 4

Question Number : 389 Question Id : 48558434544 Question Type : MCQ Option Shuffling : No Is Question Mandatory : No Calculator : None Response Time : N.A Think Time : N.A Minimum Instruction Time : 0

Correct Marks : 5 Wrong Marks : 1

Question Key Details :

Key	Value
Comprehension	MCQ

Social movement is:

1. absence of any degree of organisation
2. sustained collective action
3. necessarily include a leadership
4. disorganised protest

Options :

- 485584138173. 1
- 485584138174. 2
- 485584138175. 3
- 485584138176. 4

Question Number : 390 Question Id : 48558434545 Question Type : MCQ Option Shuffling : No Is Question Mandatory : No Calculator : None Response Time : N.A Think Time : N.A Minimum Instruction Time : 0

Correct Marks : 5 Wrong Marks : 1

Question Key Details :

Key	Value
Comprehension	MCQ

Gender identities impact men as well. A typical man in the Indian society is expected to be the following:

1. Do household work
2. Help in child rearing
3. Strong and successful
4. Helpful and compassionate

Options :

- 485584138177. 1
- 485584138178. 2
- 485584138179. 3
- 485584138180. 4

Sub-Section Number : 2
Sub-Section Id : 4855842553
Question Shuffling Allowed : No
Is Section Default? : null

Question Number : 391 Question Id : 48558434546 Question Type : MCQ Option Shuffling : No Is Question Mandatory : No Calculator : None Response Time : N.A Think Time : N.A Minimum Instruction Time : 0

Correct Marks : 5 Wrong Marks : 1

Question Key Details :

Key	Value
Comprehension	Comp1

Clamoring to enter India's red-hot retail sector, the world's largest chains, including WalMart Stores, Carrefour and Tesco, are seeking the best way to enter the country, despite a government ban on foreign direct investment in the market. Recent large investment by major Indian businesses, like Reliance Industries and Bharat Airtel, have increased the sense of urgency for foreign retailers..... Last week Bharat Airtel indicated that it was in talks with Wal-Mart, Carrefour and Tesco to set up a joint venture India's retails sector is attractive not only because of its fast growth, but because family-run street corner stores have 97 % of the nation's business. But this industry trait is precisely why the government makes it hard for foreigners to enter the market. Politicians frequently argue that global retailers would destroy thousands of small local players and fledgling domestic chains.

The government is trying to sell its share in several public sector companies, a process which is known as _____

1. Foreign investment
2. De investment
3. Dis investment
4. Retail therapy

Options :

- 485584138181. 1
- 485584138182. 2
- 485584138183. 3
- 485584138184. 4

Question Number : 392 Question Id : 48558434547 Question Type : MCQ Option Shuffling : No Is Question Mandatory : No Calculator : None Response Time : N.A Think Time : N.A Minimum Instruction Time : 0

Correct Marks : 5 Wrong Marks : 1

Question Key Details :

Key	Value
Comprehension	Comp1

Clamoring to enter India's red-hot retail sector, the world's largest chains, including WalMart Stores, Carrefour and Tesco, are seeking the best way to enter the country, despite a government ban on foreign direct investment in the market. Recent large investment by major Indian businesses, like Reliance Industries and Bharat Airtel, have increased the sense of urgency for foreign retailers..... Last week Bharat Airtel indicated that it was in talks with Wal-Mart, Carrefour and Tesco to set up a joint venture India's retails sector is attractive not only because of its fast growth, but because family-run street corner stores have 97 % of the nation's business. But this industry trait is precisely why the government makes it hard for foreigners to enter the market. Politicians frequently argue that global retailers would destroy thousands of small local players and fledgling domestic chains.

Due to globalisation, MNCs are outsourcing work to developing countries because:

1. Most MNC are headed by people from developing countries like India
2. The International Monetary Fund and World Trade Organisation makes it mandatory
3. Labour is skilled
4. Labour is cheaper in developing countries which will yield bigger profits for the MNCs

Options :

- 485584138185. 1
- 485584138186. 2
- 485584138187. 3
- 485584138188. 4

Question Number : 393 Question Id : 48558434548 Question Type : MCQ Option Shuffling : No Is Question Mandatory : No Calculator : None Response Time : N.A Think Time : N.A Minimum Instruction Time : 0

Correct Marks : 5 Wrong Marks : 1

Question Key Details :

Key	Value
Comprehension	Comp1

Clamoring to enter India's red-hot retail sector, the world's largest chains, including WalMart Stores, Carrefour and Tesco, are seeking the best way to enter the country, despite a government ban on foreign direct investment in the market. Recent large investment by major Indian businesses, like Reliance Industries and Bharat Airtel, have increased the sense of urgency for foreign retailers..... Last week Bharat Airtel indicated that it was in talks with Wal-Mart, Carrefour and Tesco to set up a joint venture India's retail sector is attractive not only because of its fast growth, but because family-run street corner stores have 97 % of the nation's business. But this industry trait is precisely why the government makes it hard for foreigners to enter the market. Politicians frequently argue that global retailers would destroy thousands of small local players and fledgling domestic chains.

India's retail sector is attractive not only because of its fast growth, but because family run street cover. Stores have a large share of the market. Identify the share of the family run cover business in retail sector.

1. 59%
2. 97%
3. 79%
4. 90%

Options :

- 485584138189. 1
- 485584138190. 2
- 485584138191. 3
- 485584138192. 4

Question Number : 394 Question Id : 48558434549 Question Type : MCQ Option Shuffling : No Is Question Mandatory : No Calculator : None Response Time : N.A Think Time : N.A Minimum Instruction Time : 0

Correct Marks : 5 Wrong Marks : 1

Question Key Details :

Key	Value
Comprehension	Comp1

Clamoring to enter India's red-hot retail sector, the world's largest chains, including WalMart Stores, Carrefour and Tesco, are seeking the best way to enter the country, despite a government ban on foreign direct investment in the market. Recent large investment by major Indian businesses, like Reliance Industries and Bharat Airtel, have increased the sense of urgency for foreign retailers..... Last week Bharat Airtel indicated that it was in talks with Wal-Mart, Carrefour and Tesco to set up a joint venture India's retails sector is attractive not only because of its fast growth, but because family-run street corner stores have 97 % of the nation's business. But this industry trait is precisely why the government makes it hard for foreigners to enter the market. Politicians frequently argue that global retailers would destroy thousands of small local players and fledgling domestic chains.

Parle drinks bring bought by Coca Cola in an example of

1. Liberelization
2. De-Monetisation
3. Globalization
4. Acquisition

Options :

- 485584138193. 1
- 485584138194. 2
- 485584138195. 3
- 485584138196. 4

Question Number : 395 Question Id : 48558434550 Question Type : MCQ Option Shuffling : No Is Question Mandatory : No Calculator : None Response Time : N.A Think Time : N.A Minimum Instruction Time : 0

Correct Marks : 5 Wrong Marks : 1

Question Key Details :

Key	Value
Comprehension	Comp1

Clamoring to enter India's red-hot retail sector, the world's largest chains, including WalMart Stores, Carrefour and Tesco, are seeking the best way to enter the country, despite a government ban on foreign direct investment in the market. Recent large investment by major Indian businesses, like Reliance Industries and Bharat Airtel, have increased the sense of urgency for foreign retailers..... Last week Bharat Airtel indicated that it was in talks with Wal-Mart, Carrefour and Tesco to set up a joint venture India's retails sector is attractive not only because of its fast growth, but because family-run street corner stores have 97 % of the nation's business. But this industry trait is precisely why the government makes it hard for foreigners to enter the market. Politicians frequently argue that global retailers would destroy thousands of small local players and fledgling domestic chains.

Identify the world's largest MNC in retail market

1. Wal - Mart stores
2. Pepsico
3. Relaince- Industries
4. Amazon

Options :

- 485584138197. 1
- 485584138198. 2
- 485584138199. 3
- 485584138200. 4

Sub-Section Number : 3
Sub-Section Id : 4855842554
Question Shuffling Allowed : No
Is Section Default? : null

Question Number : 396 Question Id : 48558434551 Question Type : MCQ Option Shuffling : No Is Question Mandatory : No Calculator : None Response Time : N.A Think Time : N.A Minimum Instruction Time : 0 Correct Marks : 5 Wrong Marks : 1

Question Key Details :

Key	Value
Comprehension	Comp2

Read the following passage and answer question based on the concept.

Considered from an, urban point of view. The rapid growth in urbanization shows that the town or city has been acting as a magnet for the rural population. Those who cannot find work (or sufficient work) in the rural areas go to the city in search of work. This flow of rural-to-urban migration has also been accelerated by the continuous decline of common property resources like ponds, forests and grazing land. These common resources enabled poor people to survive in the villages although they owned little or no land. Now, these resources have been turned into private property, or they are exhausted. (Ponds may run dry no longer provide enough fish; forests may have been cut down and have vanished...). If people no longer have access to these resources, but on the other hand have to buy many things in the market that they used to get free (like fuel, fodder or supplementary food items). Then their hardship increases. This hardship is worsened by the fact that opportunities for cash income are limited in the villages.

Identify how is Mass Media contributing to urbanization?

1. By controlling the product market
2. By streaming the image of urban life styles and patterns of consumption to rural people
3. By changing the views of rural people
4. By providing employment

Options :

- 485584138201. 1
- 485584138202. 2
- 485584138203. 3

Question Number : 397 Question Id : 48558434552 Question Type : MCQ Option Shuffling : No Is Question Mandatory : No Calculator : None Response Time : N.A Think Time : N.A Minimum Instruction Time : 0

Correct Marks : 5 Wrong Marks : 1

Question Key Details :

Key	Value
Comprehension	Comp2

Read the following passage and answer question based on the concept.

Considered from an, urban point of view. The rapid growth in urbanization shows that the town or city has been acting as a magnet for the rural population. Those who cannot find work (or sufficient work) in the rural areas go to the city in search of work. This flow of rural-to-urban migration has also been accelerated by the continuous decline of common property resources like ponds, forests and grazing land. These common resources enabled poor people to survive in the villages although they owned little or no land. Now, these resources have been turned into private property, or they are exhausted. (Ponds may run dry no longer provide enough fish; forests may have been cut down and have vanished...). If people no longer have access to these resources, but on the other hand have to buy many things in the market that they used to get free (like fuel, fodder or supplementary food items). Then their hardship increases. This hardship is worsened by the fact that opportunities for cash income are limited in the villages.

"There is a selective in the common property resources in the village trading to migration in that are these common property resources?"

1. Agricultural land
2. Ponds, forests and grazing land
3. Agricultural Implements
4. Friends and relatives

Options :

485584138205. 1
485584138206. 2
485584138207. 3
485584138208. 4

Question Number : 398 Question Id : 48558434553 Question Type : MCQ Option Shuffling : No Is Question Mandatory : No Calculator : None Response Time : N.A Think Time : N.A Minimum Instruction Time : 0

Correct Marks : 5 Wrong Marks : 1

Question Key Details :

Key	Value
Comprehension	Comp2

Read the following passage and answer question based on the concept.

Considered from an, urban point of view. The rapid growth in urbanization shows that the town or city has been acting as a magnet for the rural population. Those who cannot find work (or sufficient work) in the rural areas go to the city in search of work. This flow of rural-to-urban migration has also been accelerated by the continuous decline of common property resources like ponds, forests and grazing land. These common resources enabled poor people to survive in the villages although they owned little or no land. Now, these resources have been turned into private property, or they are exhausted. (Ponds may run dry no longer provide enough fish; forests may have been cut down and have vanished...). If people no longer have access to these resources, but on the other hand have to buy many things in the market that they used to get free (like fuel, fodder or supplementary food items). Then their hardship increases. This hardship is worsened by the fact that opportunities for cash income are limited in the villages.

Urbanisation is not just impacting the number of people migration to urban areas, but also impacting:

1. Increased interaction of urban people
2. Increased resources for rural people left behind
3. Decline in socio- economic significances of agrarian way of life
4. Increased resources of urban people

Options :

- 485584138209. 1
- 485584138210. 2
- 485584138211. 3
- 485584138212. 4

Question Number : 399 Question Id : 48558434554 Question Type : MCQ Option Shuffling : No Is Question Mandatory : No Calculator : None Response Time : N.A Think Time : N.A Minimum Instruction Time : 0

Correct Marks : 5 Wrong Marks : 1

Question Key Details :

Key	Value
Comprehension	Comp2

Read the following passage and answer question based on the concept.

Considered from an, urban point of view. The rapid growth in urbanization shows that the town or city has been acting as a magnet for the rural population. Those who cannot find work (or sufficient work) in the rural areas go to the city in search of work. This flow of rural-to-urban migration has also been accelerated by the continuous decline of common property resources like ponds, forests and grazing land. These common resources enabled poor people to survive in the villages although they owned little or no land. Now, these resources have been turned into private property, or they are exhausted. (Ponds may run dry no longer provide enough fish; forests may have been cut down and have vanished...). If people no longer have access to these resources, but on the other hand have to buy many things in the market that they used to get free (like fuel, fodder or supplementary food items). Then their hardship increases. This hardship is worsened by the fact that opportunities for cash income are limited in the villages.

Decline in common property resources like ponds, forests has led to acceleration of:

1. Rural and rural
2. Urban and rural
3. Rural and urban
4. Urban to urban

Options :

- 485584138213. 1
- 485584138214. 2
- 485584138215. 3
- 485584138216. 4

Question Number : 400 Question Id : 48558434555 Question Type : MCQ Option Shuffling : No Is Question Mandatory : No Calculator : None Response Time : N.A Think Time : N.A Minimum Instruction Time : 0

Correct Marks : 5 Wrong Marks : 1

Question Key Details :

Key	Value
Comprehension	Comp2

Read the following passage and answer question based on the concept.

Considered from an, urban point of view. The rapid growth in urbanization shows that the town or city has been acting as a magnet for the rural population. Those who cannot find work (or sufficient work) in the rural areas go to the city in search of work. This flow of rural-to-urban migration has also been accelerated by the continuous decline of common property resources like ponds, forests and grazing land. These common resources enabled poor people to survive in the villages although they owned little or no land. Now, these resources have been turned into private property, or they are exhausted. (Ponds may run dry no longer provide enough fish; forests may have been cut down and have vanished...). If people no longer have access to these resources, but on the other hand have to buy many things in the market that they used to get free (like fuel, fodder or supplementary food items). Then their hardship increases. This hardship is worsened by the fact that opportunities for cash income are limited in the villages.

The emergence of machine production, based on the use of inanimate power resources like steem or electricity is known as:

1. Globalisation
2. Modernisation
3. Industrilisation
4. Glocalisation

Options :

- 485584138217. 1
- 485584138218. 2
- 485584138219. 3
- 485584138220. 4

General Test

Group Number : 15
Group Id : 485584782
Group Maximum Duration : 60
Group Minimum Duration : 60
Show Attended Group? : No
Edit Attended Group? : No
Break time : 0
Group Marks : 250
Is this Group for Examiner? : No
Examiner permission : Cant View
Show Progress Bar? : No

General Test

Section Id : 485584900
Section Number : 1
Section type : Online
Mandatory or Optional : Mandatory
Number of Questions : 60
Number of Questions to be attempted : 50
Section Marks : 250
Enable Mark as Answered Mark for Review and Clear Response : Yes
Maximum Instruction Time : 0
Sub-Section Number : 1
Sub-Section Id : 4855842555
Question Shuffling Allowed : Yes
Is Section Default? : null

Question Number : 401 Question Id : 48558433996 Question Type : MCQ Option Shuffling : No Is Question Mandatory : No Calculator : None Response Time : N.A Think Time : N.A Minimum Instruction Time : 0 Correct Marks : 5 Wrong Marks : 1

Question Key Details :

Key	Value
Comprehension	MCQ

In how many ways can a committee of 7 members be selected from 6 men and 5 women consisting of 4 men and 3 women?

1. 25
2. 147
3. 150
4. 600

Options :

485584135981. 1
485584135982. 2
485584135983. 3
485584135984. 4

Question Number : 402 Question Id : 48558433997 Question Type : MCQ Option Shuffling : No Is Question Mandatory : No Calculator : None Response Time : N.A Think Time : N.A Minimum Instruction Time : 0 Correct Marks : 5 Wrong Marks : 1 Question Key Details :

Key	Value
Comprehension	MCQ

The simple interest of Rs 6500 for $1\frac{1}{2}$ years at 10% is

1. 945
2. 950
3. 960
4. 975

Options :

- 485584135985. 1
- 485584135986. 2
- 485584135987. 3
- 485584135988. 4

Question Number : 403 Question Id : 48558433998 Question Type : MCQ Option Shuffling : No Is Question Mandatory : No Calculator : None Response Time : N.A Think Time : N.A Minimum Instruction Time : 0 Correct Marks : 5 Wrong Marks : 1 Question Key Details :

Key	Value
Comprehension	MCQ

Two friends A and B invest in a buissness in partnership. B borrows 20% of A's salary, combines it with 60% of his salary and invest with A, who puts all of his remaining salary. One year later the ratio of profit of A and B is 5:3 respectively and B returns Rs.21000 to A which he borrowed from him. What is the difference between salary of A and B?

1. Rs. 56000
2. Rs. 32000
3. Rs. 60000
4. Rs. 28000

Options :

- 485584135989. 1
- 485584135990. 2
- 485584135991. 3
- 485584135992. 4

Question Number : 404 Question Id : 48558433999 Question Type : MCQ Option Shuffling : No Is Question Mandatory : No Calculator : None Response Time : N.A Think Time : N.A Minimum Instruction Time : 0 Correct Marks : 5 Wrong Marks : 1

Question Key Details :

Key	Value
Comprehension	MCQ

The perimeter of one face of a cube is 24cm. its volume must be:

1. 216 cm³
2. 1200 cm³
3. 576 cm³
4. 13824 cm³

Options :

485584135993. 1
485584135994. 2
485584135995. 3
485584135996. 4

Question Number : 405 Question Id : 48558434000 Question Type : MCQ Option Shuffling : No Is Question Mandatory : No Calculator : None Response Time : N.A Think Time : N.A Minimum Instruction Time : 0

Correct Marks : 5 Wrong Marks : 1

Question Key Details :

Key	Value
Comprehension	MCQ

What is empirical relationship between mean, median and mode?

- A. Mean - Mode = 3(Mean - Median)
- B. Mode = Mean - Median
- C. Mode = 3 Median - 2 Mean
- D. Median - Mode = 3 (Mean - Median)
- E. Mode = 2 Mean + 3 Median

Choose the correct answer from the options given below_

1. C only
2. Both A and C only
3. Both A and B only
4. Both D and E only

Options :

485584135997. 1
485584135998. 2
485584135999. 3
485584136000. 4

Question Number : 406 Question Id : 48558434001 Question Type : MCQ Option Shuffling : No Is Question Mandatory : No Calculator : None Response Time : N.A Think Time : N.A Minimum Instruction Time : 0

Correct Marks : 5 Wrong Marks : 1

Question Key Details :

Key	Value
Comprehension	MCQ

A person walks from his house to his office at a speed of x_1 km/hr and returns by the same route at a speed of x_2 km/hr. What is his average speed?

1. $\frac{x_1 + x_2}{2}$

2. $\frac{x_1 + x_2}{2x_1x_2}$

3. $\frac{2x_1x_2}{x_1 + x_2}$

4. $\frac{x_1 + x_2}{x_1x_2}$

Options :

- 485584136001. 1
- 485584136002. 2
- 485584136003. 3
- 485584136004. 4

Question Number : 407 Question Id : 48558434002 Question Type : MCQ Option Shuffling : No Is Question Mandatory : No Calculator : None Response Time : N.A Think Time : N.A Minimum Instruction Time : 0

Correct Marks : 5 Wrong Marks : 1

Question Key Details :

Key	Value
Comprehension	MCQ

A thief is spotted by a policeman from a distance of 100m. when the policeman starts the chase, the thief also starts running. If the speed of the thief be 8 km/hr and that of the policeman 10 km/hr, how far the thief will have run before he is overtaken ?

1. 100 m

2. 200 m

3. 400 m

4. 500 m

Options :

- 485584136005. 1
- 485584136006. 2
- 485584136007. 3
- 485584136008. 4

Question Number : 408 Question Id : 48558434003 Question Type : MCQ Option Shuffling : No Is Question Mandatory : No Calculator : None Response Time : N.A Think Time : N.A Minimum Instruction Time : 0

Correct Marks : 5 Wrong Marks : 1

Question Key Details :

Key	Value
Comprehension	MCQ

The perimeter of a square and a regular hexagon are equal. The ratio of the area of the hexagon to the area of the square is:

1. $2\sqrt{3} : 1$

2. $2 : \sqrt{3}$

3. $3\sqrt{3} : 2$

4. $\sqrt{2} : 3$

Options :

485584136009. 1

485584136010. 2

485584136011. 3

485584136012. 4

Question Number : 409 Question Id : 48558434004 Question Type : MCQ Option Shuffling : No Is Question Mandatory : No Calculator : None Response Time : N.A Think Time : N.A Minimum Instruction Time : 0

Correct Marks : 5 Wrong Marks : 1

Question Key Details :

Key	Value
Comprehension	MCQ

The radius of the wheel of a vehicle is 35cm. The wheel makes 10 revolutions in 6 seconds. The speed of the vehicle is:

1. 70 km/hr

2. 13.2 km/hr

3. 17.5 km/hr

4. 20 km/hr

Options :

485584136013. 1

485584136014. 2

485584136015. 3

485584136016. 4

Question Number : 410 Question Id : 48558434005 Question Type : MCQ Option Shuffling : No Is Question Mandatory : No Calculator : None Response Time : N.A Think Time : N.A Minimum Instruction Time : 0

Correct Marks : 5 Wrong Marks : 1

Question Key Details :

Key	Value
Comprehension	MCQ

A sum of money triples it self in 3 years at compound interest. In how many years will it becomes 9 times

1. 9 years
2. 6 years
3. 12 years
4. 5 years

Options :

- 485584136017. 1
- 485584136018. 2
- 485584136019. 3
- 485584136020. 4

Question Number : 411 Question Id : 48558434006 Question Type : MCQ Option Shuffling : No Is Question Mandatory : No Calculator : None Response Time : N.A Think Time : N.A Minimum Instruction Time : 0

Correct Marks : 5 Wrong Marks : 1

Question Key Details :

Key	Value
Comprehension	MCQ

Aman got 30% of the maximum marks in an examination and failed by 15% marks. However, Anil who took the same examination got 40% of the total marks and got 10 marks more than the passing marks. What were the passing marks in the examination?

1. 85
2. 90
3. 95
4. 100

Options :

- 485584136021. 1
- 485584136022. 2
- 485584136023. 3
- 485584136024. 4

Question Number : 412 Question Id : 48558434007 Question Type : MCQ Option Shuffling : No Is Question Mandatory : No Calculator : None Response Time : N.A Think Time : N.A Minimum Instruction Time : 0

Correct Marks : 5 Wrong Marks : 1

Question Key Details :

Key	Value
Comprehension	MCQ

Akriti buys a smartphone for ₹12,500. If she wants to profit of 30%, how much should she charge for the smartphone?

1. 16000
2. 14375
3. 16250
4. 15400

Options :

485584136025. 1
485584136026. 2
485584136027. 3
485584136028. 4

Question Number : 413 Question Id : 48558434008 Question Type : MCQ Option Shuffling : No Is Question Mandatory : No Calculator : None Response Time : N.A Think Time : N.A Minimum Instruction Time : 0

Correct Marks : 5 Wrong Marks : 1

Question Key Details :

Key	Value
Comprehension	MCQ

₹4200 are divided among 'P', 'Q', 'R' and 'S' in such a way that the shares of 'P' and 'Q', 'Q' and 'R' as well 'R' and 'S' are in the ratios of 2:3, 4:5 and 6:7 resp. ectively the share of 'P' is:

1. ₹ 600
2. ₹ 640
3. ₹ 1280
4. ₹ 1480

Options :

485584136029. 1
485584136030. 2
485584136031. 3
485584136032. 4

Question Number : 414 Question Id : 48558434009 Question Type : MCQ Option Shuffling : No Is Question Mandatory : No Calculator : None Response Time : N.A Think Time : N.A Minimum Instruction Time : 0

Correct Marks : 5 Wrong Marks : 1

Question Key Details :

Key	Value
Comprehension	MCQ

Work done by A in one day is half of the work done by B in one day. Work done by B is half of the work done by C in one day. If C alone can do the work in 7 days, then in how many days can A, B and C together complete the work?

1. 4
2. 14
3. 21
4. 28

Options :

485584136033. 1
485584136034. 2
485584136035. 3
485584136036. 4

Question Number : 415 Question Id : 48558434010 Question Type : MCQ Option Shuffling : No Is Question Mandatory : No Calculator : None Response Time : N.A Think Time : N.A Minimum Instruction Time : 0

Correct Marks : 5 Wrong Marks : 1

Question Key Details :

Key	Value
Comprehension	MCQ

A pair of dice is thrown and sum of the numbers on two tosses is observed. Which of the statements are correct

- A. Probability of getting sum as 11 is $\frac{1}{18}$
- B. Probability of getting sum as 5 is $\frac{1}{12}$
- C. Probability of getting sum as 7 is $\frac{1}{6}$
- D. Probability of getting sum as 6 is $\frac{1}{9}$

Choose the correct answer from the options given below:

1. A and C Only
2. A and B Only
3. A, C, D Only
4. A and C Only

Options :

485584136037. 1
485584136038. 2
485584136039. 3
485584136040. 4

Question Number : 416 Question Id : 48558434011 Question Type : MCQ Option Shuffling : No Is Question Mandatory : No Calculator : None Response Time : N.A Think Time : N.A Minimum Instruction Time : 0

Correct Marks : 5 Wrong Marks : 1

Question Key Details :

Key	Value
Comprehension	MCQ

The value of the sum of 10 term of the series

$$S_{10} = \frac{1}{2^2 - 1} + \frac{1}{4^2 - 1} + \frac{1}{6^2 - 1} + \dots \text{ is}$$

1. $\frac{11}{21}$

2. $\frac{9}{10}$

3. $\frac{21}{10}$

4. $\frac{10}{21}$

Options :

- 485584136041. 1
- 485584136042. 2
- 485584136043. 3
- 485584136044. 4

Question Number : 417 Question Id : 48558434012 Question Type : MCQ Option Shuffling : No Is Question Mandatory : No Calculator : None Response Time : N.A Think Time : N.A Minimum Instruction Time : 0

Correct Marks : 5 Wrong Marks : 1

Question Key Details :

Key	Value
Comprehension	MCQ

Diameter of sphere is 28 cm Find out its surface area?

1. 2464 cm^2

2. 11498 cm^2

3. 2490 cm^2

4. 2260 cm^2

Options :

- 485584136045. 1
- 485584136046. 2
- 485584136047. 3
- 485584136048. 4

Question Number : 418 Question Id : 48558434013 Question Type : MCQ Option Shuffling : No Is Question Mandatory : No Calculator : None Response Time : N.A Think Time : N.A Minimum Instruction Time : 0

Correct Marks : 5 Wrong Marks : 1

Question Key Details :

Key	Value
Comprehension	MCQ

Which two numbers are both square and cube numbers?

1. 1 and 8
2. 8 and 27
3. 27 and 64
4. 1 and 64

Options :

485584136049. 1
485584136050. 2
485584136051. 3
485584136052. 4

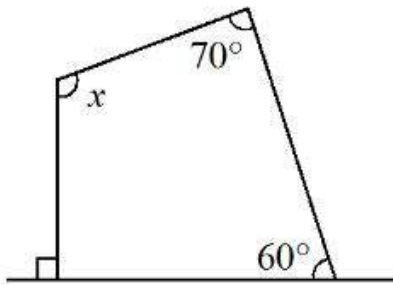
Question Number : 419 Question Id : 48558434014 Question Type : MCQ Option Shuffling : No Is Question Mandatory : No Calculator : None Response Time : N.A Think Time : N.A Minimum Instruction Time : 0

Correct Marks : 5 Wrong Marks : 1

Question Key Details :

Key	Value
Comprehension	MCQ

In the given figure the value of angle 'x' is _____



1. 130°
2. 120°
3. 140°
4. 110°

Options :

485584136053. 1
485584136054. 2
485584136055. 3

485584136056. 4

Question Number : 420 Question Id : 48558434015 Question Type : MCQ Option Shuffling : No Is Question Mandatory : No Calculator : None Response Time : N.A Think Time : N.A Minimum Instruction Time : 0

Correct Marks : 5 Wrong Marks : 1

Question Key Details :

Key	Value
Comprehension	MCQ

How many words with or without meaning, can be formed by using all the letters of the word "DELHI", using each letter exactly once?

1. 12
2. 50
3. 60
4. 10

Options :

- 485584136057. 1
- 485584136058. 2
- 485584136059. 3
- 485584136060. 4

Question Number : 421 Question Id : 48558434016 Question Type : MCQ Option Shuffling : No Is Question Mandatory : No Calculator : None Response Time : N.A Think Time : N.A Minimum Instruction Time : 0

Correct Marks : 5 Wrong Marks : 1

Question Key Details :

Key	Value
Comprehension	MCQ

If UPKAR is coded as UOQJLAQS, then the code for HONEY will be:

1. HIOMOXZA
2. GIOMEOXY
3. GIOMOEXZ
4. HIOMOEXZ

Options :

- 485584136061. 1
- 485584136062. 2
- 485584136063. 3
- 485584136064. 4

Question Number : 422 Question Id : 48558434017 Question Type : MCQ Option Shuffling : No Is Question Mandatory : No Calculator : None Response Time : N.A Think Time : N.A Minimum Instruction Time : 0

Correct Marks : 5 Wrong Marks : 1

Question Key Details :

Key	Value
-----	-------

Comprehension	MCQ
---------------	-----

STATEMENT: Covid-19 is a pandemic issue now.

ASSUMPTIONS:

- I. Government should work towards complete vaccination of the population.
 - II. Covid-19 upcoming variants are not fatal and should be treated as normal flu.
1. Only Assumption I is implicit
 2. Only Assumption II is implicit
 3. neither Assumption I nor Assumption II is implicit
 4. Both Assumption I and Assumption II are implicit

Options :

485584136065. 1
485584136066. 2
485584136067. 3
485584136068. 4

Question Number : 423 Question Id : 48558434018 Question Type : MCQ Option Shuffling : No Is Question Mandatory : No Calculator : None Response Time : N.A Think Time : N.A Minimum Instruction Time : 0

Correct Marks : 5 Wrong Marks : 1

Question Key Details :

Key	Value
Comprehension	MCQ

Mark the correct option based on the statement and conclusion that follows

Statements

- A. All states having Rain Water Harvesting face no water problem.
- B. One of the states has still not applied Rain Water Harvesting policy

Conclusions:

- I. It may be facing water problem
 - II. Rain Water Harvesting solve water problem.
1. Only conclusion I follows
 2. Only conclusion II follows
 3. Both conclusion I and II follows
 4. Neither conclusion I nor II follows

Options :

485584136069. 1

485584136070. 2
485584136071. 3
485584136072. 4

Question Number : 424 Question Id : 48558434019 Question Type : MCQ Option Shuffling : No Is Question Mandatory : No Calculator : None Response Time : N.A Think Time : N.A Minimum Instruction Time : 0

Correct Marks : 5 Wrong Marks : 1

Question Key Details :

Key	Value
Comprehension	MCQ

Identify the next number from the following series 36,40, 48, 60, 76 ?

1. 94
2. 98
3. 92
4. 96

Options :

485584136073. 1
485584136074. 2
485584136075. 3
485584136076. 4

Question Number : 425 Question Id : 48558434020 Question Type : MCQ Option Shuffling : No Is Question Mandatory : No Calculator : None Response Time : N.A Think Time : N.A Minimum Instruction Time : 0

Correct Marks : 5 Wrong Marks : 1

Question Key Details :

Key	Value
Comprehension	MCQ

What will be the measurement of the angle made by the hands at 18 min past 5?

1. 52°
2. 51°
3. 50°
4. 49°

Options :

485584136077. 1
485584136078. 2
485584136079. 3
485584136080. 4

Question Number : 426 Question Id : 48558434021 Question Type : MCQ Option Shuffling : No Is Question Mandatory : No Calculator : None Response Time : N.A Think Time : N.A Minimum Instruction Time : 0

Correct Marks : 5 Wrong Marks : 1

Question Key Details :

Key	Value
Comprehension	MCQ

Hear is to Deaf as Speak is to

1. Quite
2. Silent
3. Mumb or Mum
4. Dumb

Options :

485584136081. 1
485584136082. 2
485584136083. 3
485584136084. 4

Question Number : 427 Question Id : 48558434022 Question Type : MCQ Option Shuffling : No Is Question Mandatory : No Calculator : None Response Time : N.A Think Time : N.A Minimum Instruction Time : 0

Correct Marks : 5 Wrong Marks : 1

Question Key Details :

Key	Value
Comprehension	MCQ

Given below are two statements: one is labelled as Assertion A and the other is labelled as Reason R.

Assertion A : The sun rises 2 hours later in Gujrat as compared to Arunachal Pradesh, but watches shows the same time.

Reason R : The longitudinal gap between Arunachal Pradesh and Gujrat is about 30 degrees but at the same time India has adopted Indian Standard time which is at 82.5° West.

In the light of the above statements, choose the most appropriate answer from the options given below:

1. Both A and R are correct and R is the correct explanation of A
2. Both A and R are correct but R is NOT the correct explanation of A
3. A is correct but R is not correct
4. A is not correct but R is correct

Options :

485584136085. 1
485584136086. 2
485584136087. 3
485584136088. 4

Question Number : 428 Question Id : 48558434023 Question Type : MCQ Option Shuffling : No Is Question Mandatory : No Calculator : None Response Time : N.A Think Time : N.A Minimum Instruction Time : 0

Correct Marks : 5 Wrong Marks : 1

Question Key Details :

Key	Value
Comprehension	MCQ

K is more beautiful than B. B is not as beautiful as Y. J is not beautiful as B or Y. The least beautiful among all is:

1. B
2. Y
3. J
4. K

Options :

- 485584136089. 1
- 485584136090. 2
- 485584136091. 3
- 485584136092. 4

Question Number : 429 Question Id : 48558434024 Question Type : MCQ Option Shuffling : No Is Question Mandatory : No Calculator : None Response Time : N.A Think Time : N.A Minimum Instruction Time : 0

Correct Marks : 5 Wrong Marks : 1

Question Key Details :

Key	Value
Comprehension	MCQ

I introduced a lady "she is the mother of the only daughter of my son's father in law. how is she related to me:

- A. She is my sister
- B. She is the mother in law of my son
- C. She is my son's aunt
- D. She is the wife of my son's father in law
- E. She is my mother

Choose the correct answer from the options given below:

1. A, C, D Only
2. B, C, D Only
3. A, D, E Only
4. B, D Only

Options :

- 485584136093. 1
- 485584136094. 2
- 485584136095. 3
- 485584136096. 4

Question Number : 430 Question Id : 48558434025 Question Type : MCQ Option Shuffling : No Is Question Mandatory : No Calculator : None Response Time : N.A Think Time : N.A Minimum Instruction Time : 0

Correct Marks : 5 Wrong Marks : 1

Question Key Details :

Key	Value
Comprehension	MCQ

In the statements below study the question asked and decide which of the following statement is/are necessary to answer the question:

Find the present salary of Arvind:

- I. The salary increase every year by 15%
- II. The salary at the time of joining was ₹18,000
- III. He has joined the company exactly 10 years ago.

Which statement(s) are necessary

- 1. I and II only
- 2. II and III only
- 3. I and III only
- 4. all I, II, and III necessary

Options :

- 485584136097. 1
- 485584136098. 2
- 485584136099. 3
- 485584136100. 4

Question Number : 431 Question Id : 48558434026 Question Type : MCQ Option Shuffling : No Is Question Mandatory : No Calculator : None Response Time : N.A Think Time : N.A Minimum Instruction Time : 0

Correct Marks : 5 Wrong Marks : 1

Question Key Details :

Key	Value
Comprehension	MCQ

Which does not belong to the others

- 1. Key Board
- 2. Windows
- 3. Hard Drive
- 4. CPU

Options :

- 485584136101. 1
- 485584136102. 2
- 485584136103. 3
- 485584136104. 4

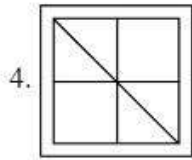
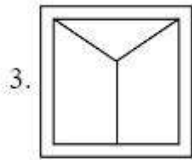
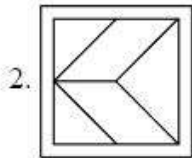
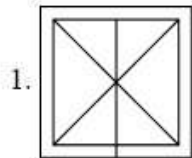
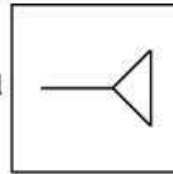
Question Number : 432 Question Id : 48558434027 Question Type : MCQ Option Shuffling : No Is Question Mandatory : No Calculator : None Response Time : N.A Think Time : N.A Minimum Instruction Time : 0

Correct Marks : 5 Wrong Marks : 1

Question Key Details :

Key	Value
Comprehension	MCQ

Find the answer figure in which question figure is imbrted



Options :

485584136105. 1

485584136106. 2

485584136107. 3

485584136108. 4

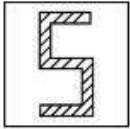
Question Number : 433 Question Id : 48558434028 Question Type : MCQ Option Shuffling : No Is Question Mandatory : No Calculator : None Response Time : N.A Think Time : N.A Minimum Instruction Time : 0

Correct Marks : 5 Wrong Marks : 1

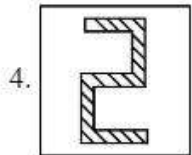
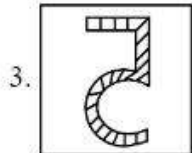
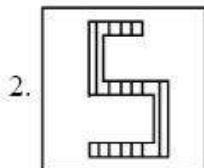
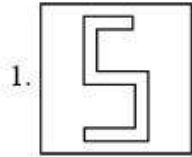
Question Key Details :

Key	Value
Comprehension	MCQ

Choose the correct mirror-image of fig(X) from amongst the four alternatives (1), (2), (3) and (4) given along with it.



(x)



Options :

485584136109. 1

485584136110. 2

485584136111. 3

485584136112. 4

Question Number : 434 Question Id : 48558434029 Question Type : MCQ Option Shuffling : No Is Question Mandatory : No Calculator : None Response Time : N.A Think Time : N.A Minimum Instruction Time : 0

Correct Marks : 5 Wrong Marks : 1

Question Key Details :

Key	Value
Comprehension	MCQ

The days before yesterday, it was monday. After 39 days, it will be

1. Wednesday

2. Sunday

3. Friday

4. Saturday

Options :

485584136113. 1
485584136114. 2
485584136115. 3
485584136116. 4

Question Number : 435 Question Id : 48558434030 Question Type : MCQ Option Shuffling : No Is Question Mandatory : No Calculator : None Response Time : N.A Think Time : N.A Minimum Instruction Time : 0

Correct Marks : 5 Wrong Marks : 1

Question Key Details :

Key	Value
Comprehension	MCQ

Find missing term: P2A, S6D, ?, Y54J

1. F9U
2. V18G
3. V24G
4. V12X

Options :

485584136117. 1
485584136118. 2
485584136119. 3
485584136120. 4

Question Number : 436 Question Id : 48558434031 Question Type : MCQ Option Shuffling : No Is Question Mandatory : No Calculator : None Response Time : N.A Think Time : N.A Minimum Instruction Time : 0

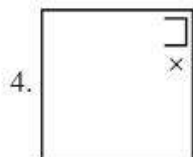
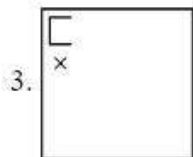
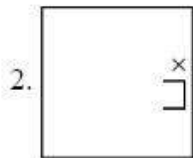
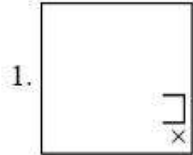
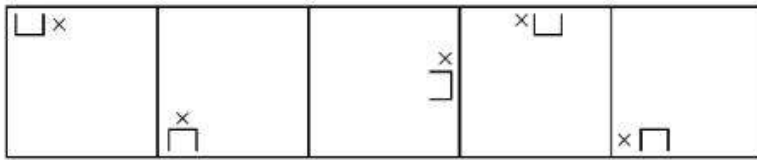
Correct Marks : 5 Wrong Marks : 1

Question Key Details :

Key	Value
Comprehension	MCQ

Choose the correct option to complete the series.

Problem figures



Options :

485584136121. 1

485584136122. 2

485584136123. 3

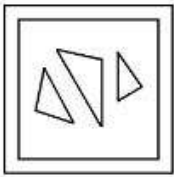
485584136124. 4

Question Number : 437 Question Id : 48558434032 Question Type : MCQ Option Shuffling : No Is Question Mandatory : No Calculator : None Response Time : N.A Think Time : N.A Minimum Instruction Time : 0

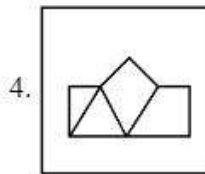
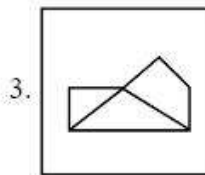
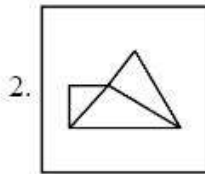
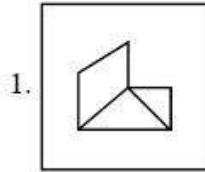
Correct Marks : 5 Wrong Marks : 1

Question Key Details :

Key	Value
Comprehension	MCQ



Choose the correct option by forming the pieces given in the above figure.



Options :

485584136125. 1

485584136126. 2

485584136127. 3

485584136128. 4

Question Number : 438 Question Id : 48558434033 Question Type : MCQ Option Shuffling : No Is Question Mandatory : No Calculator : None Response Time : N.A Think Time : N.A Minimum Instruction Time : 0

Correct Marks : 5 Wrong Marks : 1

Question Key Details :

Key	Value
Comprehension	MCQ

Following are the conditions for selection of Director in an Organisation. The candidate must

- I. Be a MBA in Marketing with 1st class securing a minimum of 65% marks
- II. Have an experience of working in related area at least two years after acquiring the desired qualification
- III. Have passed the written test with at least 60% marks.
- IV. Be not less than 40 year and not more than 50 year of age as 2.3.2020

Salman Khan is a MBA from IIM Lucknow, passed out in 2000 with 70% marks. He is working as a marketing head since July 2001. His date of birth is 25th Dec 1975. He has cleared the written test with 60% marks?

Indicate your decision by marking answers to each question as follows:

1. If the candidate is to be selected
2. If the candidate is not to be selected
3. If data is not adequate to take the decision
4. If the case is referred to the chairman

Options :

- 485584136129. 1
- 485584136130. 2
- 485584136131. 3
- 485584136132. 4

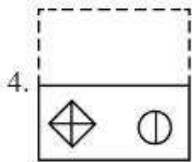
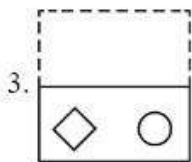
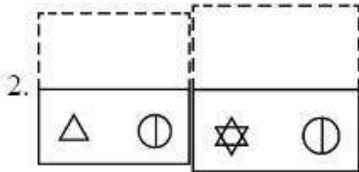
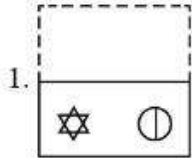
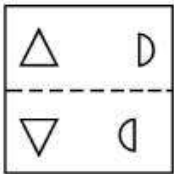
Question Number : 439 Question Id : 48558434034 Question Type : MCQ Option Shuffling : No Is Question Mandatory : No Calculator : None Response Time : N.A Think Time : N.A Minimum Instruction Time : 0

Correct Marks : 5 Wrong Marks : 1

Question Key Details :

Key	Value
Comprehension	MCQ

Find the figure obtained after folding the given figure along the dotted line.



Options :

- 485584136133. 1
- 485584136134. 2
- 485584136135. 3
- 485584136136. 4

Question Number : 440 Question Id : 48558434035 Question Type : MCQ Option Shuffling : No Is Question Mandatory : No Calculator : None Response Time : N.A Think Time : N.A Minimum Instruction Time : 0

Correct Marks : 5 Wrong Marks : 1

Question Key Details :

Key	Value
Comprehension	MCQ

If South-East becomes North and North-East becomes West and all the rest directions are changed in the same manner, what will the direction for the South-East?

- 1. West
- 2. North-West
- 3. North
- 4. East

Options :

485584136137. 1
485584136138. 2
485584136139. 3
485584136140. 4

Question Number : 441 Question Id : 48558434036 Question Type : MCQ Option Shuffling : No Is Question Mandatory : No Calculator : None Response Time : N.A Think Time : N.A Minimum Instruction Time : 0

Correct Marks : 5 Wrong Marks : 1

Question Key Details :

Key	Value
Comprehension	MCQ

Which among the following dances is not a Martial Dance?

1. Pika
2. Gatka
3. Kathaputli
4. Choliya

Options :

485584136141. 1
485584136142. 2
485584136143. 3
485584136144. 4

Question Number : 442 Question Id : 48558434037 Question Type : MCQ Option Shuffling : No Is Question Mandatory : No Calculator : None Response Time : N.A Think Time : N.A Minimum Instruction Time : 0

Correct Marks : 5 Wrong Marks : 1

Question Key Details :

Key	Value
Comprehension	MCQ

Harappan age is

1. 3,500 BC – 2,500 BC
2. 2,500 BC – 1,750 BC
3. 2,000 BC – 1,000 BC
4. 3,500 BC – 1,000 BC

Options :

485584136145. 1
485584136146. 2
485584136147. 3
485584136148. 4

Question Number : 443 Question Id : 48558434038 Question Type : MCQ Option Shuffling : No Is Question Mandatory : No Calculator : None Response Time : N.A Think Time : N.A Minimum Instruction Time : 0

Correct Marks : 5 Wrong Marks : 1

Question Key Details :

Key	Value
Comprehension	MCQ

Archaeological site 'Palvai' is situated in

1. Kerala
2. Andhra Pradesh
3. Karnataka
4. Tamil Nadu

Options :

485584136149. 1
485584136150. 2
485584136151. 3
485584136152. 4

Question Number : 444 Question Id : 48558434039 Question Type : MCQ Option Shuffling : No Is Question Mandatory : No Calculator : None Response Time : N.A Think Time : N.A Minimum Instruction Time : 0

Correct Marks : 5 Wrong Marks : 1

Question Key Details :

Key	Value
Comprehension	MCQ

There are 4 electric bulb of 50W (each) is used for 5 hour per day. Calculate the energy consumed in the month of January.

1. 31 Kwh
2. 31 Joulr
3. 3.6×10^6 J
4. $31 \times 3.6 \times 10^6$ J Kwh

Options :

485584136153. 1
485584136154. 2
485584136155. 3
485584136156. 4

Question Number : 445 Question Id : 48558434040 Question Type : MCQ Option Shuffling : No Is Question Mandatory : No Calculator : None Response Time : N.A Think Time : N.A Minimum Instruction Time : 0

Correct Marks : 5 Wrong Marks : 1

Question Key Details :

Key	Value
Comprehension	MCQ

Which of the following is an example of an Emulsion?

1. Fog
2. Clouds
3. Mist
4. Milk

Options :

485584136157. 1
485584136158. 2
485584136159. 3
485584136160. 4

Question Number : 446 Question Id : 48558434041 Question Type : MCQ Option Shuffling : No Is Question Mandatory : No Calculator : None Response Time : N.A Think Time : N.A Minimum Instruction Time : 0

Correct Marks : 5 Wrong Marks : 1

Question Key Details :

Key	Value
Comprehension	MCQ

Which statements are true about Phylum Arthropoda?

- A. Body is divided into one part.
- B. Body is divided into two parts.
- C. Body is divided into three parts.
- D. Joinedleg
- E. Circulatory system is of close type.

Choose the correct answer from the options given below:

1. A and B only
2. B and C only
3. D and E only
4. C and D only

Options :

485584136161. 1
485584136162. 2
485584136163. 3
485584136164. 4

Question Number : 447 Question Id : 48558434042 Question Type : MCQ Option Shuffling : No Is Question Mandatory : No Calculator : None Response Time : N.A Think Time : N.A Minimum Instruction Time : 0

Correct Marks : 5 Wrong Marks : 1

Question Key Details :

Key	Value
Comprehension	MCQ

Who was invented Universal Serial Bus (USB)?

1. Ajay Sood
2. Ajay Bhatt
3. M.S. Swaminathan
4. Gagan B. Mohanthy

Options :

485584136165. 1
485584136166. 2
485584136167. 3
485584136168. 4

Question Number : 448 Question Id : 48558434043 Question Type : MCQ Option Shuffling : No Is Question Mandatory : No Calculator : None Response Time : N.A Think Time : N.A Minimum Instruction Time : 0

Correct Marks : 5 Wrong Marks : 1

Question Key Details :

Key	Value
Comprehension	MCQ

Where was Commonwealth Games 2022 held?

1. London
2. Canberra
3. Brimingham
4. Manchester

Options :

485584136169. 1
485584136170. 2
485584136171. 3
485584136172. 4

Question Number : 449 Question Id : 48558434044 Question Type : MCQ Option Shuffling : No Is Question Mandatory : No Calculator : None Response Time : N.A Think Time : N.A Minimum Instruction Time : 0

Correct Marks : 5 Wrong Marks : 1

Question Key Details :

Key	Value
Comprehension	MCQ

Which states women's U-18 team won the Khelo India Youth Games 2022?

1. Kerala
2. Punjab
3. Tamil Nadu
4. Haryana

Options :

485584136173. 1
485584136174. 2
485584136175. 3
485584136176. 4

Question Number : 450 Question Id : 48558434045 Question Type : MCQ Option Shuffling : No Is Question Mandatory : No Calculator : None Response Time : N.A Think Time : N.A Minimum Instruction Time : 0

Correct Marks : 5 Wrong Marks : 1

Question Key Details :

Key	Value
Comprehension	MCQ

India has been building the sea-port of Chabahar port for which of these West Asian country:

1. Iraq
2. Iran
3. UAE
4. Oman

Options :

485584136177. 1
485584136178. 2
485584136179. 3
485584136180. 4

Question Number : 451 Question Id : 48558434046 Question Type : MCQ Option Shuffling : No Is Question Mandatory : No Calculator : None Response Time : N.A Think Time : N.A Minimum Instruction Time : 0

Correct Marks : 5 Wrong Marks : 1

Question Key Details :

Key	Value
Comprehension	MCQ

Recently, whom of Indian origin has become the new prime minister of Britain?

1. Dilip Boland
2. Rajesh David
3. Rishi Sunak
4. Aman Panda

Options :

485584136181. 1
485584136182. 2
485584136183. 3
485584136184. 4

Question Number : 452 Question Id : 48558434047 Question Type : MCQ Option Shuffling : No Is Question Mandatory : No Calculator : None Response Time : N.A Think Time : N.A Minimum Instruction Time : 0

Correct Marks : 5 Wrong Marks : 1

Question Key Details :

Key	Value
Comprehension	MCQ

Which team has won the 2022 Women's Pan American Cup Field Hockey Tournament?

1. Netherland
2. Argentina
3. South Korea
4. Malaysia

Options :

485584136185. 1
485584136186. 2
485584136187. 3
485584136188. 4

Question Number : 453 Question Id : 48558434048 Question Type : MCQ Option Shuffling : No Is Question Mandatory : No Calculator : None Response Time : N.A Think Time : N.A Minimum Instruction Time : 0

Correct Marks : 5 Wrong Marks : 1

Question Key Details :

Key	Value
Comprehension	MCQ

Name the longest river of the world?

1. Nile
2. Ganga
3. Amazon
4. Yangtze river

Options :

485584136189. 1
485584136190. 2
485584136191. 3
485584136192. 4

Question Number : 454 Question Id : 48558434049 Question Type : MCQ Option Shuffling : No Is Question Mandatory : No Calculator : None Response Time : N.A Think Time : N.A Minimum Instruction Time : 0

Correct Marks : 5 Wrong Marks : 1

Question Key Details :

Key	Value
Comprehension	MCQ

Which is the highest Peak of the Pennisulan Plateau of India?

1. Dodda betha
2. Mullayanagiri
3. Agasthyamala
4. Anamudi

Options :

485584136193. 1
485584136194. 2
485584136195. 3
485584136196. 4

Question Number : 455 Question Id : 48558434050 Question Type : MCQ Option Shuffling : No Is Question Mandatory : No Calculator : None Response Time : N.A Think Time : N.A Minimum Instruction Time : 0

Correct Marks : 5 Wrong Marks : 1

Question Key Details :

Key	Value
Comprehension	MCQ

On which date is the shortest day of the year in the northern Hemisphere?

1. 22 June
2. 21 June
3. 22 December
4. 26 December

Options :

485584136197. 1
485584136198. 2
485584136199. 3
485584136200. 4

Question Number : 456 Question Id : 48558434051 Question Type : MCQ Option Shuffling : No Is Question Mandatory : No Calculator : None Response Time : N.A Think Time : N.A Minimum Instruction Time : 0

Correct Marks : 5 Wrong Marks : 1

Question Key Details :

Key	Value
Comprehension	MCQ

Criminal Identification Bill has been passed by President in April 2022. The Bill (or Act)

- A. Empowers police to obtain physical and biological samples of convicts and those accused of crimes.
- B. Empowers police to order measurement of photographs of a person to aid the investigation of offence.
- C. Explains the data to be collected.
- D. Provides the data to be stored in a Central database.

Choose the correct answer from the options given below:

1. C, A and B only
2. A, C and D only
3. B, A and D only
4. A, B and D only

Options :

485584136201. 1
485584136202. 2
485584136203. 3
485584136204. 4

Question Number : 457 Question Id : 48558434052 Question Type : MCQ Option Shuffling : No Is Question Mandatory : No Calculator : None Response Time : N.A Think Time : N.A Minimum Instruction Time : 0

Correct Marks : 5 Wrong Marks : 1

Question Key Details :

Key	Value
Comprehension	MCQ

What growth rate The Economic Survey 2021-22 had projected for the financial year ending March 2023?

1. 8.5-9%
2. 8-8.5%
3. 10-11%
4. 7-7.5%

Options :

485584136205. 1
485584136206. 2
485584136207. 3
485584136208. 4

Question Number : 458 Question Id : 48558434053 Question Type : MCQ Option Shuffling : No Is Question Mandatory : No Calculator : None Response Time : N.A Think Time : N.A Minimum Instruction Time : 0

Correct Marks : 5 Wrong Marks : 1

Question Key Details :

Key	Value
Comprehension	MCQ

Which English writer has been awarded the Tata Literature Lifetime Achievement Award?

1. Arundhati Roy
2. Vikram Seth
3. Ruskin Bond
4. Prof. Shorad Pagadey

Options :

485584136209. 1
485584136210. 2
485584136211. 3
485584136212. 4

Question Number : 459 Question Id : 48558434054 Question Type : MCQ Option Shuffling : No Is Question Mandatory : No Calculator : None Response Time : N.A Think Time : N.A Minimum Instruction Time : 0

Correct Marks : 5 Wrong Marks : 1

Question Key Details :

Key	Value
Comprehension	MCQ

Match List I with List II

LIST I Satellite		LIST II Launch Date	
A.	Aryabhata	I.	2008
B.	Mangalyaan	II.	1975
C.	Chandrayaan - I	III.	2017
D.	IRNAA-1H Mission	IV.	2013

Choose the correct answer from the options given below:

1. A-II, B-IV, C-I, D-III
2. A-I, B-II, C-III, D-IV
3. A-IV, B-III, C-II, D-I
4. A-IV, B-II, C-III, D-I

Options :

485584136213. 1
485584136214. 2
485584136215. 3
485584136216. 4

Question Number : 460 Question Id : 48558434055 Question Type : MCQ Option Shuffling : No Is Question Mandatory : No Calculator : None Response Time : N.A Think Time : N.A Minimum Instruction Time : 0

Correct Marks : 5 Wrong Marks : 1

Question Key Details :

Key	Value
Comprehension	MCQ

Formal source of credit for an individual does not include:

1. Cooperatives
2. Banks
3. MUDRA Bank
4. RBI

Options :

485584136217. 1
485584136218. 2
485584136219. 3
485584136220. 4