

# National Testing Agency

**Question Paper Name :** 18S3  
**Subject Name :** 18Jun2023 Shift3 Subject Combination 1  
**Creation Date :** 2023-06-18 22:37:53  
**Duration :** 690  
**Total Marks :** 3050  
**Display Marks:** Yes

## English

**Group Number :** 1  
**Group Id :** 485584768  
**Group Maximum Duration :** 45  
**Group Minimum Duration :** 45  
**Show Attended Group? :** No  
**Edit Attended Group? :** No  
**Break time :** 0  
**Group Marks :** 200  
**Is this Group for Examiner? :** No  
**Examiner permission :** Cant View  
**Show Progress Bar? :** No

## English

**Section Id :** 485584886  
**Section Number :** 1  
**Section type :** Online  
**Mandatory or Optional :** Mandatory  
**Number of Questions :** 50  
**Number of Questions to be attempted :** 40  
**Section Marks :** 200  
**Enable Mark as Answered Mark for Review and Clear Response :** Yes  
**Maximum Instruction Time :** 0  
**Sub-Section Number :** 1  
**Sub-Section Id :** 4855842506  
**Question Shuffling Allowed :** No  
**Is Section Default? :** null

**Question Number : 1 Question Id : 48558433946 Question Type : MCQ Option Shuffling : No Is Question Mandatory : No Calculator : None Response Time : N.A Think Time : N.A Minimum Instruction Time : 0**

**Correct Marks : 5 Wrong Marks : 1**

**Question Key Details :**

Key	Value
Comprehension	Comp1

Read the following literary passage. Answer Questions:-

**No Man is an Island**

No man is an island,  
Entire of itself,  
Every man is a piece of the continent,  
A part of the main,  
if a clod be washed away by the sea,  
Europe is the less.  
As well as if a promontory were,  
As well as if a manor of the friend's  
Or of thine own were:  
Any man's death diminishes me,  
Because I am involved in mankind,  
and therefore never send to know for whom the bell tolls;  
It tolls for thee.

What is the essential idea of the passage?

1. The passage signifies a connection between all of humankind.
2. The passage signifies that all aquatic animals are connected.
3. The poet is uninvolved in mankind.
4. The poet wants to live in an island.

**Options :**

- 485584135781. 1
- 485584135782. 2
- 485584135783. 3
- 485584135784. 4

**Question Number : 2 Question Id : 48558433947 Question Type : MCQ Option Shuffling : No Is Question Mandatory : No Calculator : None Response Time : N.A Think Time : N.A Minimum Instruction Time : 0**

**Correct Marks : 5 Wrong Marks : 1**

**Question Key Details :**

Key	Value
Comprehension	Comp1

Read the following literary passage. Answer Questions:-

**No Man is an Island**

No man is an island,  
Entire of itself,  
Every man is a piece of the continent,  
A part of the main,  
if a clod be washed away by the sea,  
Europe is the less.  
As well as if a promontory were,  
As well as if a manor of the friend's  
Or of thine own were:  
Any man's death diminishes me,  
Because I am involved in mankind,  
and therefore never send to know for whom the bell tolls;  
It tolls for thee.

What is the meaning of the word 'clod'?

1. A ship
2. A child
3. Jellyfish
4. A lump of earth or clay

**Options :**

- 485584135785. 1
- 485584135786. 2
- 485584135787. 3
- 485584135788. 4

**Question Number : 3 Question Id : 48558433948 Question Type : MCQ Option Shuffling : No Is Question Mandatory : No Calculator : None Response Time : N.A Think Time : N.A Minimum Instruction Time : 0**

**Correct Marks : 5 Wrong Marks : 1**

**Question Key Details :**

Key	Value
Comprehension	Comp1

Read the following literary passage. Answer Questions:-

### **No Man is an Island**

No man is an island,  
Entire of itself,  
Every man is a piece of the continent,  
A part of the main,  
if a clod be washed away by the sea,  
Europe is the less.  
As well as if a promontory were,  
As well as if a manor of the friend's  
Or of thine own were:  
Any man's death diminishes me,  
Because I am involved in mankind,  
and therefore never send to know for whom the bell tolls;  
It tolls for thee.

What is the name of the poetic device when there is a repetition of words/phrases at the beginning of successive lines?

1. Metaphor
2. Simili
3. Anaphora
4. Hyperbole

**Options :**

- 485584135789. 1
- 485584135790. 2
- 485584135791. 3
- 485584135792. 4

**Question Number : 4 Question Id : 48558433949 Question Type : MCQ Option Shuffling : No Is Question Mandatory : No Calculator : None Response Time : N.A Think Time : N.A Minimum Instruction Time : 0**

**Correct Marks : 5 Wrong Marks : 1**

**Question Key Details :**

Key	Value
Comprehension	Comp1



Read the following literary passage. Answer Questions:-

**No Man is an Island**

No man is an island,  
Entire of itself,  
Every man is a piece of the continent,  
A part of the main,  
if a clod be washed away by the sea,  
Europe is the less.  
As well as if a promontory were,  
As well as if a manor of the friend's  
Or of thine own were:  
Any man's death diminishes me,  
Because I am involved in mankind,  
and therefore never send to know for whom the bell tolls;  
It tolls for thee.

What does the clause "for whom the bell tolls" entail?

1. The arrival of a guest
2. The arrival of death
3. The Sunday church mass
4. Time to Pray

**Options :**

- 485584135793. 1
- 485584135794. 2
- 485584135795. 3
- 485584135796. 4

**Question Number : 5 Question Id : 48558433950 Question Type : MCQ Option Shuffling : No Is Question Mandatory : No Calculator : None Response Time : N.A Think Time : N.A Minimum Instruction Time : 0**

**Correct Marks : 5 Wrong Marks : 1**

**Question Key Details :**

Key	Value
Comprehension	Comp1

Read the following literary passage. Answer Questions:-

### No Man is an Island

No man is an island,  
Entire of itself,  
Every man is a piece of the continent,  
A part of the main,  
if a clod be washed away by the sea,  
Europe is the less.  
As well as if a promontory were,  
As well as if a manor of the friend's  
Or of thine own were:  
Any man's death diminishes me,  
Because I am involved in mankind,  
and therefore never send to know for whom the bell tolls;  
It tolls for thee.

'No man is an Island' signifies that-

1. No man stands in isolation
2. All of humanity is connected
3. No man exists as a landmass
4. No island is inhabited by men

#### Options :

485584135797. 1  
485584135798. 2  
485584135799. 3  
485584135800. 4

Sub-Section Number : 2  
Sub-Section Id : 4855842507  
Question Shuffling Allowed : No  
Is Section Default? : null

Question Number : 6 Question Id : 48558433951 Question Type : MCQ Option Shuffling : No Is Question Mandatory :  
No Calculator : None Response Time : N.A Think Time : N.A Minimum Instruction Time : 0

Correct Marks : 5 Wrong Marks : 1

#### Question Key Details :

Key	Value
Comprehension	Comp2

Read the passage and answer the question:

This is an age-old tale. A mother and her daughter Satto, lived in a village. During that time, the forests were full of fruits and flowers. The women and girls of the village used to go and pluck these fruits and flowers. All of them used to pluck the sweet flowers of the *mahua* (*Bassia Latifolia*) tree, stored them at home and consumed them later.

One day, all of them plucked the sweet flowers and kept them in their rooms without drying them. Satto's mother was not at home. Satto dried the sweet flowers. As the flowers dried, they shrunk. Later on when Satto's mother came home, she found very little flowers and thought that either Satto had eaten the flowers or she had given them to the village girls. In her blind rage, she beat her daughter to death. The women and girls of the village told her that she killed her daughter for such a trivial issue. They asked her to soak the flowers in water. When she soaked the *mahuas*, they swelled up and the entire room was filled with the flowers. Satto's mother was full of remorse. She regretted the fact that she killed her daughter without thinking. She died because of grief.

She was reborn as the *pandak* bird. The *pandak* bird still sings this song-

'Daughter Satto, the *mahuas* were in proper quantity...'

According to the passage, What kind of tale is the translated story?

1. Fairy tale
2. Modern tale
3. Age-old tale
4. Disney tale

**Options :**

485584135801. 1

485584135802. 2

485584135803. 3

485584135804. 4

**Question Number : 7 Question Id : 48558433952 Question Type : MCQ Option Shuffling : No Is Question Mandatory :**

**No Calculator : None Response Time : N.A Think Time : N.A Minimum Instruction Time : 0**

**Correct Marks : 5 Wrong Marks : 1**

**Question Key Details :**

Key	Value
Comprehension	Comp2

Read the passage and answer the question:

This is an age-old tale. A mother and her daughter Satto, lived in a village. During that time, the forests were full of fruits and flowers. The women and girls of the village used to go and pluck these fruits and flowers. All of them used to pluck the sweet flowers of the *mahua* (*Bassia Latifolia*) tree, stored them at home and consumed them later.

One day, all of them plucked the sweet flowers and kept them in their rooms without drying them. Satto's mother was not at home. Satto dried the sweet flowers. As the flowers dried, they shrunk. Later on when Satto's mother came home, she found very little flowers and thought that either Satto had eaten the flowers or she had given them to the village girls. In her blind rage, she beat her daughter to death. The women and girls of the village told her that she killed her daughter for such a trivial issue. They asked her to soak the flowers in water. When she soaked the *mahuas*, they swelled up and the entire room was filled with the flowers. Satto's mother was full of remorse. She regretted the fact that she killed her daughter without thinking. She died because of grief.

She was reborn as the *pandak* bird. The *pandak* bird still sings this song-

'Daughter Satto, the *mahuas* were in proper quantity...'

The antonym of the word 'remorse' is:

1. Regret
2. Rejoice
3. Repentance
4. Grief

**Options :**

- 485584135805. 1
- 485584135806. 2
- 485584135807. 3
- 485584135808. 4

**Question Number : 8 Question Id : 48558433953 Question Type : MCQ Option Shuffling : No Is Question Mandatory : No Calculator : None Response Time : N.A Think Time : N.A Minimum Instruction Time : 0**

**Correct Marks : 5 Wrong Marks : 1**

**Question Key Details :**

Key	Value
Comprehension	Comp2

Read the passage and answer the question:

This is an age-old tale. A mother and her daughter Satto, lived in a village. During that time, the forests were full of fruits and flowers. The women and girls of the village used to go and pluck these fruits and flowers. All of them used to pluck the sweet flowers of the *mahua* (*Bassia Latifolia*) tree, stored them at home and consumed them later.

One day, all of them plucked the sweet flowers and kept them in their rooms without drying them. Satto's mother was not at home. Satto dried the sweet flowers. As the flowers dried, they shrunk. Later on when Satto's mother came home, she found very little flowers and thought that either Satto had eaten the flowers or she had given them to the village girls. In her blind rage, she beat her daughter to death. The women and girls of the village told her that she killed her daughter for such a trivial issue. They asked her to soak the flowers in water. When she soaked the *mahuas*, they swelled up and the entire room was filled with the flowers. Satto's mother was full of remorse. She regretted the fact that she killed her daughter without thinking. She died because of grief.

She was reborn as the *pandak* bird. The *pandak* bird still sings this song-

'Daughter Satto, the *mahuas* were in proper quantity...'

As per the given passage, what was the mother reborn as?

1. an animal
2. a man
3. a woman
4. a bird

**Options :**

- 485584135809. 1
- 485584135810. 2
- 485584135811. 3
- 485584135812. 4

**Question Number : 9 Question Id : 48558433954 Question Type : MCQ Option Shuffling : No Is Question Mandatory : No Calculator : None Response Time : N.A Think Time : N.A Minimum Instruction Time : 0**

**Correct Marks : 5 Wrong Marks : 1**

**Question Key Details :**

Key	Value
Comprehension	Comp2

Read the passage and answer the question:

This is an age-old tale. A mother and her daughter Satto, lived in a village. During that time, the forests were full of fruits and flowers. The women and girls of the village used to go and pluck these fruits and flowers. All of them used to pluck the sweet flowers of the *mahua* (*Bassia Latifolia*) tree, stored them at home and consumed them later.

One day, all of them plucked the sweet flowers and kept them in their rooms without drying them. Satto's mother was not at home. Satto dried the sweet flowers. As the flowers dried, they shrunk. Later on when Satto's mother came home, she found very little flowers and thought that either Satto had eaten the flowers or she had given them to the village girls. In her blind rage, she beat her daughter to death. The women and girls of the village told her that she killed her daughter for such a trivial issue. They asked her to soak the flowers in water. When she soaked the *mahuas*, they swelled up and the entire room was filled with the flowers. Satto's mother was full of remorse. She regretted the fact that she killed her daughter without thinking. She died because of grief.

She was reborn as the *pandak* bird. The *pandak* bird still sings this song-

'Daughter Satto, the *mahuas* were in proper quantity...'

Why did the mother beat the daughter to death?

1. Because she went to pluck fruits and flowers without telling her.
2. Because Satto did not dry the flowers.
3. Because she thought Satto had eaten the flowers or given them to the village girls.
4. Because she was evil.

**Options :**

- 485584135813. 1
- 485584135814. 2
- 485584135815. 3
- 485584135816. 4

**Question Number : 10 Question Id : 48558433955 Question Type : MCQ Option Shuffling : No Is Question Mandatory : No Calculator : None Response Time : N.A Think Time : N.A Minimum Instruction Time : 0**

**Correct Marks : 5 Wrong Marks : 1**

**Question Key Details :**

Key	Value
Comprehension	Comp2

Read the passage and answer the question:

This is an age-old tale. A mother and her daughter Satto, lived in a village. During that time, the forests were full of fruits and flowers. The women and girls of the village used to go and pluck these fruits and flowers. All of them used to pluck the sweet flowers of the *mahua* (*Bassia Latifolia*) tree, stored them at home and consumed them later.

One day, all of them plucked the sweet flowers and kept them in their rooms without drying them. Satto's mother was not at home. Satto dried the sweet flowers. As the flowers dried, they shrunk. Later on when Satto's mother came home, she found very little flowers and thought that either Satto had eaten the flowers or she had given them to the village girls. In her blind rage, she beat her daughter to death. The women and girls of the village told her that she killed her daughter for such a trivial issue. They asked her to soak the flowers in water. When she soaked the *mahuas*, they swelled up and the entire room was filled with the flowers. Satto's mother was full of remorse. She regretted the fact that she killed her daughter without thinking. She died because of grief.

She was reborn as the *pandak* bird. The *pandak* bird still sings this song-

'Daughter Satto, the *mahuas* were in proper quantity...'

What happened Satto's mother soaked the flowers in water?

1. The entire room was filled with flowers as they soaked up
2. Satto came back to life
3. The flowers dissolved in water
4. The entire room was full of water

**Options :**

485584135817. 1

485584135818. 2

485584135819. 3

485584135820. 4

**Sub-Section Number :**

3

**Sub-Section Id :**

4855842508

**Question Shuffling Allowed :**

No

**Is Section Default? :**

null

**Question Number : 11 Question Id : 48558433956 Question Type : MCQ Option Shuffling : No Is Question Mandatory :**

**No Calculator : None Response Time : N.A Think Time : N.A Minimum Instruction Time : 0**

**Correct Marks : 5 Wrong Marks : 1**

**Question Key Details :**

Key	Value
Comprehension	Comp3

Once I was an archaeologist's assistant. I wandered up and down the country probing, exploring, and digging, in search of antiquities, a most interesting occupation, although cynics sometimes called us "grave-diggers." I enjoyed the work immensely. I had a master who was a famous archaeologist called Doctor something or other. He was superb, timeless being, who lived a thousand years behind the times, and who wanted neither food nor roof nor riches if only he was allowed to gaze on undisturbed at an old coin or chip of a burial urn.

He had torn up the earth in almost all parts of India and had brought to light very valuable information concerning the history and outlook of people of remote centuries. His monographs on each of his excavations filled several shelves in all the important libraries. And then, as our good fortune would have it, he received an inspiration that Malgudi district was eminently diggable. I am not competent to explain how he got this idea, but there it was. Word was brought to me that the great man was staying in the dak bungalow and was in need of an assistant. Within an hour of hearing it I stood before the great man. He was sitting on the floor with the most crazy collection of articles in front of him pots and beads and useless coins and palm leaves, all of them rusty and decaying. he had a lens by his side, through which he looked at these articles and made notes.

What does the branch of archaeology study?

1. Study of Soil
2. Study of past by excavating ground
3. Study of medicine
4. Study of minerals

**Options :**

- 485584135821. 1
- 485584135822. 2
- 485584135823. 3
- 485584135824. 4

**Question Number : 12 Question Id : 48558433957 Question Type : MCQ Option Shuffling : No Is Question Mandatory : No Calculator : None Response Time : N.A Think Time : N.A Minimum Instruction Time : 0**

**Correct Marks : 5 Wrong Marks : 1**

**Question Key Details :**

Key	Value
Comprehension	Comp3



Once I was an archaeologist's assistant. I wandered up and down the country probing, exploring, and digging, in search of antiquities, a most interesting occupation, although cynics sometimes called us "grave-diggers." I enjoyed the work immensely. I had a master who was a famous archaeologist called Doctor something or other. He was superb, timeless being, who lived a thousand years behind the times, and who wanted neither food nor roof nor riches if only he was allowed to gaze on undisturbed at an old coin or chip of a burial urn.

He had torn up the earth in almost all parts of India and had brought to light very valuable information concerning the history and outlook of people of remote centuries. His monographs on each of his excavations filled several shelves in all the important libraries. And then, as our good fortune would have it, he received an inspiration that Malgudi district was eminently diggable. I am not competent to explain how he got this idea, but there it was. Word was brought to me that the great man was staying in the dak bungalow and was in need of an assistant. Within an hour of hearing it I stood before the great man. He was sitting on the floor with the most crazy collection of articles in front of him pots and beads and useless coins and palm leaves, all of them rusty and decaying. he had a lens by his side, through which he looked at these articles and made notes.

Match List I with List II

LIST I		LIST II	
A.	The archaeologist had keen interest in	I.	all the important libraries
B.	The archaeologist was in need of	II.	almost all parts of India
C.	His monographs on excavations filled in	III.	old coin or chip of a burial urn
D.	The archaeologist had worked in	IV.	an assitant

Choose the correct answer from the options given below:

1. A-II, B-III, C-IV, D-I
2. A-III, B-IV, C-I, D-II
3. A-IV, B-III, C-II, D-I
4. A-I, B-III, C-II, D-IV

**Options :**

- 485584135825. 1
- 485584135826. 2
- 485584135827. 3
- 485584135828. 4

**Question Number : 13 Question Id : 48558433958 Question Type : MCQ Option Shuffling : No Is Question Mandatory : No Calculator : None Response Time : N.A Think Time : N.A Minimum Instruction Time : 0**

**Correct Marks : 5 Wrong Marks : 1**

**Question Key Details :**

Key	Value
Comprehension	Comp3

Once I was an archaeologist's assistant. I wandered up and down the country probing, exploring, and digging, in search of antiquities, a most interesting occupation, although cynics sometimes called us "grave-diggers." I enjoyed the work immensely. I had a master who was a famous archaeologist called Doctor something or other. He was superb, timeless being, who lived a thousand years behind the times, and who wanted neither food nor roof nor riches if only he was allowed to gaze on undisturbed at an old coin or chip of a burial urn.

He had torn up the earth in almost all parts of India and had brought to light very valuable information concerning the history and outlook of people of remote centuries. His monographs on each of his excavations filled several shelves in all the important libraries. And then, as our good fortune would have it, he received an inspiration that Malgudi district was eminently diggable. I am not competent to explain how he got this idea, but there it was. Word was brought to me that the great man was staying in the dark bungalow and was in need of an assistant. Within an hour of hearing it I stood before the great man. He was sitting on the floor with the most crazy collection of articles in front of him pots and beads and useless coins and palm leaves, all of them rusty and decaying. He had a lens by his side, through which he looked at these articles and made notes.

In which place did the archaeologist suddenly take interest?

1. Dark bungalow
2. Indian villages
3. Malgudi
4. Tamil Nadu

**Options :**

- 485584135829. 1
- 485584135830. 2
- 485584135831. 3
- 485584135832. 4

**Question Number : 14 Question Id : 48558433959 Question Type : MCQ Option Shuffling : No Is Question Mandatory : No Calculator : None Response Time : N.A Think Time : N.A Minimum Instruction Time : 0**

**Correct Marks : 5 Wrong Marks : 1**

**Question Key Details :**

Key	Value
Comprehension	Comp3

Once I was an archaeologist's assistant. I wandered up and down the country probing, exploring, and digging, in search of antiquities, a most interesting occupation, although cynics sometimes called us "grave-diggers." I enjoyed the work immensely. I had a master who was a famous archaeologist called Doctor something or other. He was superb, timeless being, who lived a thousand years behind the times, and who wanted neither food nor roof nor riches if only he was allowed to gaze on undisturbed at an old coin or chip of a burial urn.

He had torn up the earth in almost all parts of India and had brought to light very valuable information concerning the history and outlook of people of remote centuries. His monographs on each of his excavations filled several shelves in all the important libraries. And then, as our good fortune would have it, he received an inspiration that Malgudi district was eminently diggable. I am not competent to explain how he got this idea, but there it was. Word was brought to me that the great man was staying in the dak bungalow and was in need of an assistant. Within an hour of hearing it I stood before the great man. He was sitting on the floor with the most crazy collection of articles in front of him pots and beads and useless coins and palm leaves, all of them rusty and decaying. he had a lens by his side, through which he looked at these articles and made notes.

How do cynics called archaeologists 'grave-diggers'?

1. Mockingly
2. Proudly
3. Admirably
4. Sincerely

**Options :**

- 485584135833. 1
- 485584135834. 2
- 485584135835. 3
- 485584135836. 4

**Question Number : 15 Question Id : 48558433960 Question Type : MCQ Option Shuffling : No Is Question Mandatory : No Calculator : None Response Time : N.A Think Time : N.A Minimum Instruction Time : 0**

**Correct Marks : 5 Wrong Marks : 1**

**Question Key Details :**

Key	Value
Comprehension	Comp3

Once I was an archaeologist's assistant. I wandered up and down the country probing, exploring, and digging, in search of antiquities, a most interesting occupation, although cynics sometimes called us "grave-diggers." I enjoyed the work immensely. I had a master who was a famous archaeologist called Doctor something or other. He was superb, timeless being, who lived a thousand years behind the times, and who wanted neither food nor roof nor riches if only he was allowed to gaze on undisturbed at an old coin or chip of a burial urn.

He had torn up the earth in almost all parts of India and had brought to light very valuable information concerning the history and outlook of people of remote centuries. His monographs on each of his excavations filled several shelves in all the important libraries. And then, as our good fortune would have it, he received an inspiration that Malgudi district was eminently diggable. I am not competent to explain how he got this idea, but there it was. Word was brought to me that the great man was staying in the dak bungalow and was in need of an assistant. Within an hour of hearing it I stood before the great man. He was sitting on the floor with the most crazy collection of articles in front of him pots and beads and useless coins and palm leaves, all of them rusty and decaying. he had a lens by his side, through which he looked at these articles and made notes.

How do you know the archaeologist is an eminent figure?

1. He looked at old artifacts
2. His important monographs are in all reputed libraries
3. He needs an assistant
4. He used lens to inspect articles

**Options :**

- 485584135837. 1
- 485584135838. 2
- 485584135839. 3
- 485584135840. 4

**Sub-Section Number :** 4  
**Sub-Section Id :** 4855842509  
**Question Shuffling Allowed :** Yes  
**Is Section Default? :** null

**Question Number : 16 Question Id : 48558433961 Question Type : MCQ Option Shuffling : No Is Question Mandatory : No Calculator : None Response Time : N.A Think Time : N.A Minimum Instruction Time : 0**

**Correct Marks : 5 Wrong Marks : 1**

**Question Key Details :**

Key	Value
Comprehension	MCQ

Convert the following sentence in Passive Voice by choosing the appropriate answer from the given list.

The soldiers promptly obeyed his command.

1. The command should be obeyed might now, soldiers.
2. The command was promptly obeyed by the soldiers.
3. Obey the command promptly soldiers!
4. The command is promptly obeyed by the soldiers.

**Options :**

- 485584135841. 1
- 485584135842. 2
- 485584135843. 3
- 485584135844. 4

**Question Number : 17 Question Id : 48558433962 Question Type : MCQ Option Shuffling : No Is Question Mandatory : No Calculator : None Response Time : N.A Think Time : N.A Minimum Instruction Time : 0**

**Correct Marks : 5 Wrong Marks : 1**

**Question Key Details :**

Key	Value
Comprehension	MCQ

Change the following Passive Voice to Active Voice by choosing the right answer from the given list.

'Somebody has invited them to lunch tomorrow'.

1. They have been invited to lunch by somebody tomorrow
2. They will go to lunch somebody's house the following day.
3. They have been invited to lunch tomorrow
4. They will be invited to lunch the next day.

**Options :**

- 485584135845. 1
- 485584135846. 2
- 485584135847. 3
- 485584135848. 4

**Question Number : 18 Question Id : 48558433963 Question Type : MCQ Option Shuffling : No Is Question Mandatory : No Calculator : None Response Time : N.A Think Time : N.A Minimum Instruction Time : 0**

**Correct Marks : 5 Wrong Marks : 1**

**Question Key Details :**

Key	Value
Comprehension	MCQ

Fill in the blank with an appropriate question tag:

Let's go to the beach, \_\_\_\_\_?

1. Can we?
2. Should we?
3. Can't we?
4. Shall we?

**Options :**

485584135849. 1  
485584135850. 2  
485584135851. 3  
485584135852. 4

**Question Number : 19 Question Id : 48558433964 Question Type : MCQ Option Shuffling : No Is Question Mandatory : No Calculator : None Response Time : N.A Think Time : N.A Minimum Instruction Time : 0**

**Correct Marks : 5 Wrong Marks : 1**

**Question Key Details :**

Key	Value
Comprehension	MCQ

From the given options, choose the appropriate meaning of the following phrase.

"AB INITIO".

1. at the end
2. from the beginning
3. to go to the gym
4. entry into a cult

**Options :**

485584135853. 1  
485584135854. 2  
485584135855. 3  
485584135856. 4

**Question Number : 20 Question Id : 48558433965 Question Type : MCQ Option Shuffling : No Is Question Mandatory : No Calculator : None Response Time : N.A Think Time : N.A Minimum Instruction Time : 0**

**Correct Marks : 5 Wrong Marks : 1**

**Question Key Details :**

Key	Value
Comprehension	MCQ

From the given options, choose the meaning for the given foreign word:

"MAGNUM OPUS"

1. Masterpiece
2. the worst opponent
3. dark chocolate
4. posterity

**Options :**

485584135857. 1  
485584135858. 2  
485584135859. 3  
485584135860. 4

**Question Number : 21 Question Id : 48558433966 Question Type : MCQ Option Shuffling : No Is Question Mandatory : No Calculator : None Response Time : N.A Think Time : N.A Minimum Instruction Time : 0**

**Correct Marks : 5 Wrong Marks : 1**

**Question Key Details :**

Key	Value
Comprehension	MCQ

Choose the option that demonstrates the most appropriate use of articles

1. The Secretary and a Treasurer are absent
2. The Secretary and the Treasurer are absent
3. Secretary and Treasurer are absent
4. The Secretary and Treasurer are absent

**Options :**

485584135861. 1  
485584135862. 2  
485584135863. 3  
485584135864. 4

**Question Number : 22 Question Id : 48558433967 Question Type : MCQ Option Shuffling : No Is Question Mandatory : No Calculator : None Response Time : N.A Think Time : N.A Minimum Instruction Time : 0**

**Correct Marks : 5 Wrong Marks : 1**

**Question Key Details :**

Key	Value
Comprehension	MCQ

Fill in the blank with an appropriate Article.

I am subscribed \_\_\_\_\_ the New York Times journal.

1. with
2. for
3. from
4. to

**Options :**

- 485584135865. 1
- 485584135866. 2
- 485584135867. 3
- 485584135868. 4

**Question Number : 23 Question Id : 48558433968 Question Type : MCQ Option Shuffling : No Is Question Mandatory : No Calculator : None Response Time : N.A Think Time : N.A Minimum Instruction Time : 0**

**Correct Marks : 5 Wrong Marks : 1**

**Question Key Details :**

Key	Value
Comprehension	MCQ

From the given options, choose the most appropriate meaning of the word:

"CARTOGRAPHER"

1. one who draws maps
2. study of fossils
3. one who collects stamps
4. a number of cases

**Options :**

- 485584135869. 1
- 485584135870. 2
- 485584135871. 3
- 485584135872. 4

**Question Number : 24 Question Id : 48558433969 Question Type : MCQ Option Shuffling : No Is Question Mandatory : No Calculator : None Response Time : N.A Think Time : N.A Minimum Instruction Time : 0**

**Correct Marks : 5 Wrong Marks : 1**

**Question Key Details :**

Key	Value
Comprehension	MCQ



Match the words in List I with their appropriate Synonyms in List II

LIST I		LIST II	
A.	Mortuary	I.	Home for the destitute
B.	Cantonment	II.	A place where money is coined
C.	Mint	III.	A place where dead bodies are temporarily kept
D.	Asylum	IV.	A place where soldiers are quartered

Choose the correct answer from the options given below:

1. A-II, B-III, C-IV, D-I
2. A-IV, B-II, C-III, D-I
3. A-III, B-IV, C-I, D-II
4. A-III, B-IV, C-II, D-I

**Options :**

485584135873. 1  
485584135874. 2  
485584135875. 3  
485584135876. 4

**Question Number : 25 Question Id : 48558433970 Question Type : MCQ Option Shuffling : No Is Question Mandatory : No Calculator : None Response Time : N.A Think Time : N.A Minimum Instruction Time : 0**

**Correct Marks : 5 Wrong Marks : 1**

**Question Key Details :**

Key	Value
Comprehension	MCQ

Arrange the following headings of a formal letter in the correct order.

- A. Sender's address
- B. Salutation
- C. Receiver's address
- D. Subject
- E. Date

Choose the correct answer from the options given below:

1. B, A, C, E, D
2. E, D, C, A, B
3. A, B, C, D, E
4. A, E, C, D, B

**Options :**

485584135877. 1  
485584135878. 2  
485584135879. 3

**Question Number : 26 Question Id : 48558433971 Question Type : MCQ Option Shuffling : No Is Question Mandatory : No Calculator : None Response Time : N.A Think Time : N.A Minimum Instruction Time : 0**

**Correct Marks : 5 Wrong Marks : 1**

**Question Key Details :**

Key	Value
Comprehension	MCQ

Complete the given sentence by rearranging the jumbled phrases and form a coherent sentences. Choose the most appropriate option.

The lender's public meeting was disrupted.

P. by a section of the audience

Q. any firm assurance

R. he had not given them

S. who felt that

1. P, S, R, Q

2. Q, P, S, R

3. R, Q, P, S

4. S, R, Q, P

**Options :**

485584135881. 1

485584135882. 2

485584135883. 3

485584135884. 4

**Question Number : 27 Question Id : 48558433972 Question Type : MCQ Option Shuffling : No Is Question Mandatory : No Calculator : None Response Time : N.A Think Time : N.A Minimum Instruction Time : 0**

**Correct Marks : 5 Wrong Marks : 1**

**Question Key Details :**

Key	Value
Comprehension	MCQ

Choosing the most appropriate answer from the given list. Convert the following sentence in Direct Speech to Indirect Speech.

"I am guilty", the defended said.

1. The defendant admitted that he was guilty

2. The defendant accepted his guilt

3. The defendant said yes he was guilty

4. The guilty defendant accepted his fault

**Options :**

- 485584135885. 1
- 485584135886. 2
- 485584135887. 3
- 485584135888. 4

**Question Number : 28 Question Id : 48558433973 Question Type : MCQ Option Shuffling : No Is Question Mandatory : No Calculator : None Response Time : N.A Think Time : N.A Minimum Instruction Time : 0**

**Correct Marks : 5 Wrong Marks : 1**

**Question Key Details :**

Key	Value
Comprehension	MCQ

Choosing the most appropriate answer from the given list, convert the following sentence in Indirect speech to Direct speech.

I asked Sara whether Bill had given her that ring.

1. "Did Bill willing to give that ring?", "I asked Sara.
2. "Did Bill give you that ring?", I asked Sara.
3. "Can Bill give you a ring?", I asked Sara.
4. "Should Bill give you rings?", I asked Sara.

**Options :**

- 485584135889. 1
- 485584135890. 2
- 485584135891. 3
- 485584135892. 4

**Question Number : 29 Question Id : 48558433974 Question Type : MCQ Option Shuffling : No Is Question Mandatory : No Calculator : None Response Time : N.A Think Time : N.A Minimum Instruction Time : 0**

**Correct Marks : 5 Wrong Marks : 1**

**Question Key Details :**

Key	Value
Comprehension	MCQ

Convert the following Exclamatory Sentence to Assertive Sentence:

What a Lovely House!

1. Oh! What a lovely house!
2. The house that I am looking at is very lonely
3. It was a very lovely house indeed
4. What a lovely house am I looking at

**Options :**

- 485584135893. 1
- 485584135894. 2

485584135895. 3

485584135896. 4

**Question Number : 30 Question Id : 48558433975 Question Type : MCQ Option Shuffling : No Is Question Mandatory : No Calculator : None Response Time : N.A Think Time : N.A Minimum Instruction Time : 0**

**Correct Marks : 5 Wrong Marks : 1**

**Question Key Details :**

Key	Value
Comprehension	MCQ

Fill in the blanks with the appropriate pair of Homonyms:

I heard an \_\_\_\_\_ when I was going to the tailor for \_\_\_\_\_.

1. alteration, altercation
2. altercation, alteration
3. alternative, alteration
4. alternative, altercation

**Options :**

485584135897. 1

485584135898. 2

485584135899. 3

485584135900. 4

**Question Number : 31 Question Id : 48558433976 Question Type : MCQ Option Shuffling : No Is Question Mandatory : No Calculator : None Response Time : N.A Think Time : N.A Minimum Instruction Time : 0**

**Correct Marks : 5 Wrong Marks : 1**

**Question Key Details :**

Key	Value
Comprehension	MCQ

Arrange the following sentence in the proper order:

- A. for total destruction
- B. However, whether we have the capacity
- C. Remains debated
- D. through nuclear annihilation or such

Choose the correct answer from the options given below:

1. C, A, D, B
2. A, B, C, D
3. B, A, D, C
4. D, C, B, A

**Options :**

485584135901. 1

485584135902. 2

485584135903. 3

485584135904. 4

**Question Number : 32 Question Id : 48558433977 Question Type : MCQ Option Shuffling : No Is Question Mandatory : No Calculator : None Response Time : N.A Think Time : N.A Minimum Instruction Time : 0**

**Correct Marks : 5 Wrong Marks : 1**

**Question Key Details :**

Key	Value
Comprehension	MCQ

Choose the best option to convert the given Assertive Sentence into Exclamatory Sentence:

I wish I knew more people here.

1. If only I knew more people here!
2. What a pity to have known more people here.
3. Oh! Fie! I know nobody here.
4. Alas! I could have known more people here.

**Options :**

485584135905. 1

485584135906. 2

485584135907. 3

485584135908. 4

**Question Number : 33 Question Id : 48558433978 Question Type : MCQ Option Shuffling : No Is Question Mandatory : No Calculator : None Response Time : N.A Think Time : N.A Minimum Instruction Time : 0**

**Correct Marks : 5 Wrong Marks : 1**

**Question Key Details :**

Key	Value
Comprehension	MCQ

Fill in the appropriate modals in List I with the sentences given in List II

LIST I		LIST II	
A.	How _____ you shout at your best friend?	I.	can
B.	_____ we go to the beach then?	II.	should
C.	No one _____ question the ways of God	III.	shall
D.	We _____ respect our elders	IV.	could

Choose the correct answer from the options given below:

1. A-I, B-IV, C-III, D-II
2. A-II, B-III, C-I, D-IV
3. A-IV, B-III, C-I, D-II
4. A-III, B-II, C-I, D-IV

**Options :**

- 485584135909. 1
- 485584135910. 2
- 485584135911. 3
- 485584135912. 4

**Question Number : 34 Question Id : 48558433979 Question Type : MCQ Option Shuffling : No Is Question Mandatory : No Calculator : None Response Time : N.A Think Time : N.A Minimum Instruction Time : 0**

**Correct Marks : 5 Wrong Marks : 1**

**Question Key Details :**

Key	Value
Comprehension	MCQ

Fill in the blank with a proper modal so that the sentence sounds like a promise.

I \_\_\_\_\_ help you.

- 1. might
- 2. shouldn't
- 3. can
- 4. will

**Options :**

- 485584135913. 1
- 485584135914. 2
- 485584135915. 3
- 485584135916. 4

**Question Number : 35 Question Id : 48558433980 Question Type : MCQ Option Shuffling : No Is Question Mandatory : No Calculator : None Response Time : N.A Think Time : N.A Minimum Instruction Time : 0**

**Correct Marks : 5 Wrong Marks : 1**

**Question Key Details :**

Key	Value
Comprehension	MCQ

Identify the Adjective Clause in the following sentence.

"The spot where the battle was fought is unknown".

- 1. The spot where
- 2. where the battle was fought
- 3. The spot where the battle was fought
- 4. the battle was

**Options :**

- 485584135917. 1
- 485584135918. 2
- 485584135919. 3
- 485584135920. 4

**Question Number : 36 Question Id : 48558433981 Question Type : MCQ Option Shuffling : No Is Question Mandatory : No Calculator : None Response Time : N.A Think Time : N.A Minimum Instruction Time : 0**

**Correct Marks : 5 Wrong Marks : 1**

**Question Key Details :**

Key	Value
Comprehension	MCQ

Identify the error in the following sentence.

Each girl and each boy was given a red pencil.

1. Each girl and each boy
2. was given
3. a red pencil
4. No error

**Options :**

- 485584135921. 1
- 485584135922. 2
- 485584135923. 3
- 485584135924. 4

**Question Number : 37 Question Id : 48558433982 Question Type : MCQ Option Shuffling : No Is Question Mandatory : No Calculator : None Response Time : N.A Think Time : N.A Minimum Instruction Time : 0**

**Correct Marks : 5 Wrong Marks : 1**

**Question Key Details :**

Key	Value
Comprehension	MCQ

Identify the error in the following sentence.

He was not able to concentrate because of the continual music being played next door.

1. He was not able to concentrate
2. because of the continual music
3. being played next door
4. No error

**Options :**

- 485584135925. 1
- 485584135926. 2
- 485584135927. 3
- 485584135928. 4

**Question Number : 38 Question Id : 48558433983 Question Type : MCQ Option Shuffling : No Is Question Mandatory : No Calculator : None Response Time : N.A Think Time : N.A Minimum Instruction Time : 0**

**Correct Marks : 5 Wrong Marks : 1**

**Question Key Details :**

<b>Key</b>	<b>Value</b>
Comprehension	MCQ

Match List I with List II : Words with their antonyms

LIST I		LIST II	
Words		Antonyms	
A.	Meticulous	I.	Neglect
B.	Abrupt	II.	Active
C.	Nurse	III.	Careless
D.	Ennui	IV.	Gradual

Choose the correct answer from the options given below:

1. A-I, B-II, C-III, D-IV
2. A-III, B-IV, C-I, D-II
3. A-II, B-I, C-IV, D-III
4. A-IV, B-II, C-III, D-I

**Options :**

485584135929. 1  
485584135930. 2  
485584135931. 3  
485584135932. 4

**Question Number : 39 Question Id : 48558433984 Question Type : MCQ Option Shuffling : No Is Question Mandatory : No Calculator : None Response Time : N.A Think Time : N.A Minimum Instruction Time : 0**

**Correct Marks : 5 Wrong Marks : 1**

**Question Key Details :**

<b>Key</b>	<b>Value</b>
Comprehension	MCQ

Choose the appropriate Antonym for the following word from the given list.

"ADRIOT"

1. Negate
2. Chumsy
3. Posture
4. Skillfull

**Options :**

485584135933. 1  
485584135934. 2  
485584135935. 3  
485584135936. 4



**Question Number : 40 Question Id : 48558433985 Question Type : MCQ Option Shuffling : No Is Question Mandatory : No Calculator : None Response Time : N.A Think Time : N.A Minimum Instruction Time : 0**

**Correct Marks : 5 Wrong Marks : 1**

**Question Key Details :**

Key	Value
Comprehension	MCQ

Arrange the following sentence in the correct order.

- A. how efficient an administrator
- B. all days long
- C. The courtiers need to tell the king
- D. he was

Choose the correct answer from the options given below:

- 1. C, A, D, B
- 2. B, C, A, D
- 3. D, A, B, C
- 4. A, B, C, D

**Options :**

- 485584135937. 1
- 485584135938. 2
- 485584135939. 3
- 485584135940. 4

**Question Number : 41 Question Id : 48558433986 Question Type : MCQ Option Shuffling : No Is Question Mandatory : No Calculator : None Response Time : N.A Think Time : N.A Minimum Instruction Time : 0**

**Correct Marks : 5 Wrong Marks : 1**

**Question Key Details :**

Key	Value
Comprehension	MCQ

Fill in the blank with an appropriate preposition in the following sentence.

The boy fell \_\_\_\_\_ the roof.

- 1. under
- 2. off
- 3. of
- 4. since

**Options :**

- 485584135941. 1
- 485584135942. 2
- 485584135943. 3
- 485584135944. 4

**Question Number : 42 Question Id : 48558433987 Question Type : MCQ Option Shuffling : No Is Question Mandatory : No Calculator : None Response Time : N.A Think Time : N.A Minimum Instruction Time : 0**

**Correct Marks : 5 Wrong Marks : 1**

**Question Key Details :**

Key	Value
Comprehension	MCQ

Fill in the blanks with the correct pair of preposition in the given sentence.

They lived \_\_\_\_\_ Gohana, a small town \_\_\_\_\_ Haryana.

1. at, in
2. in, from
3. at, from
4. in, at

**Options :**

- 485584135945. 1
- 485584135946. 2
- 485584135947. 3
- 485584135948. 4

**Question Number : 43 Question Id : 48558433988 Question Type : MCQ Option Shuffling : No Is Question Mandatory : No Calculator : None Response Time : N.A Think Time : N.A Minimum Instruction Time : 0**

**Correct Marks : 5 Wrong Marks : 1**

**Question Key Details :**

Key	Value
Comprehension	MCQ

Choose the sentence with the correct use of the idiom/phrase from the given list:

1. His son put off a blind eye prank
2. He turned a blind eye to his son's prank
3. His father's blind eye turned at his prank
4. He turned blind to his son's prank

**Options :**

- 485584135949. 1
- 485584135950. 2
- 485584135951. 3
- 485584135952. 4

**Question Number : 44 Question Id : 48558433989 Question Type : MCQ Option Shuffling : No Is Question Mandatory : No Calculator : None Response Time : N.A Think Time : N.A Minimum Instruction Time : 0**

**Correct Marks : 5 Wrong Marks : 1**

**Question Key Details :**

Key	Value
Comprehension	MCQ

Match the idioms/phrases in List I with its meaning in List II

LIST I		LIST II	
A.	murder in cold blood	I.	to be in trouble
B.	go places	II.	murder ruthlessly
C.	A fly in the ointment	III.	a problem in a situation
D.	in the soup	IV.	be successful

Choose the correct answer from the options given below:

1. A-I, B-III, C-IV, D-II
2. A-IV, B-III, C-I, D-II
3. A-III, B-II, C-I, D-IV
4. A-II, B-IV, C-III, D-I

**Options :**

485584135953. 1  
485584135954. 2  
485584135955. 3  
485584135956. 4

**Question Number : 45 Question Id : 48558433990 Question Type : MCQ Option Shuffling : No Is Question Mandatory : No Calculator : None Response Time : N.A Think Time : N.A Minimum Instruction Time : 0**

**Correct Marks : 5 Wrong Marks : 1**

**Question Key Details :**

Key	Value
Comprehension	MCQ

Fill in the blanks with the most appropriate phrasal verb from the alternatives given under the sentence.

In her old age she has no one to \_\_\_\_\_ her.

1. Look at
2. Look after
3. Look for
4. Look ones

**Options :**

485584135957. 1  
485584135958. 2  
485584135959. 3  
485584135960. 4

**Question Number : 46 Question Id : 48558433991 Question Type : MCQ Option Shuffling : No Is Question Mandatory : No Calculator : None Response Time : N.A Think Time : N.A Minimum Instruction Time : 0**

**Correct Marks : 5 Wrong Marks : 1**

**Question Key Details :**

Key	Value
Comprehension	MCQ

Fill in the blanks with the most suitable phrasal verb from the alternatives given under the sentence.

The college will \_\_\_\_\_ next week for summer vacation.

1. Break up
2. Open up
3. Close down
4. Shut up

**Options :**

- 485584135961. 1
- 485584135962. 2
- 485584135963. 3
- 485584135964. 4

**Question Number : 47 Question Id : 48558433992 Question Type : MCQ Option Shuffling : No Is Question Mandatory : No Calculator : None Response Time : N.A Think Time : N.A Minimum Instruction Time : 0**

**Correct Marks : 5 Wrong Marks : 1**

**Question Key Details :**

Key	Value
Comprehension	MCQ

Some part of the sentence is grammatically incorrect. Pick the error.

Another surprising change that I noticed in him in recent times is that he avoids to speak to me.

1. Another surprising change
2. that is noticed in him in recent time
3. is that he avoids
4. to speak to me

**Options :**

- 485584135965. 1
- 485584135966. 2
- 485584135967. 3
- 485584135968. 4

**Question Number : 48 Question Id : 48558433993 Question Type : MCQ Option Shuffling : No Is Question Mandatory : No Calculator : None Response Time : N.A Think Time : N.A Minimum Instruction Time : 0**

**Correct Marks : 5 Wrong Marks : 1**

**Question Key Details :**

Key	Value
Comprehension	MCQ

Identify the type of adverb in the following sentence.

"I therefore left my apartment".

1. Adverb of frequency
2. Adverb of manner
3. Adverb of reason
4. Adverb of Time

**Options :**

- 485584135969. 1
- 485584135970. 2
- 485584135971. 3
- 485584135972. 4

**Question Number : 49 Question Id : 48558433994 Question Type : MCQ Option Shuffling : No Is Question Mandatory : No Calculator : None Response Time : N.A Think Time : N.A Minimum Instruction Time : 0**

**Correct Marks : 5 Wrong Marks : 1**

**Question Key Details :**

Key	Value
Comprehension	MCQ

Fill in the blank with an appropriate adverb.

They have \_\_\_\_\_ faith in their Guru.

1. Fairly good
2. wholly
3. very
4. too much

**Options :**

- 485584135973. 1
- 485584135974. 2
- 485584135975. 3
- 485584135976. 4

**Question Number : 50 Question Id : 48558433995 Question Type : MCQ Option Shuffling : No Is Question Mandatory : No Calculator : None Response Time : N.A Think Time : N.A Minimum Instruction Time : 0**

**Correct Marks : 5 Wrong Marks : 1**

**Question Key Details :**

Key	Value
Comprehension	MCQ

Choose the salutation used in a formal letter from the given options.

1. yours lovingly
2. yours sincerely
3. yours truly
4. yours punctually

**Options :**

485584135977. 1  
485584135978. 2  
485584135979. 3  
485584135980. 4

## Hindi

<b>Group Number :</b>	2
<b>Group Id :</b>	485584769
<b>Group Maximum Duration :</b>	45
<b>Group Minimum Duration :</b>	45
<b>Show Attended Group? :</b>	No
<b>Edit Attended Group? :</b>	No
<b>Break time :</b>	0
<b>Group Marks :</b>	200
<b>Is this Group for Examiner? :</b>	No
<b>Examiner permission :</b>	Cant View
<b>Show Progress Bar? :</b>	No

## Hindi

<b>Section Id :</b>	485584887
<b>Section Number :</b>	1
<b>Section type :</b>	Online
<b>Mandatory or Optional :</b>	Mandatory
<b>Number of Questions :</b>	50
<b>Number of Questions to be attempted :</b>	40
<b>Section Marks :</b>	200
<b>Enable Mark as Answered Mark for Review and Clear Response :</b>	Yes
<b>Maximum Instruction Time :</b>	0
<b>Sub-Section Number :</b>	1
<b>Sub-Section Id :</b>	4855842510
<b>Question Shuffling Allowed :</b>	No
<b>Is Section Default? :</b>	null
<b>Sub-Section Number :</b>	2
<b>Sub-Section Id :</b>	4855842511
<b>Question Shuffling Allowed :</b>	No
<b>Is Section Default? :</b>	null
<b>Sub-Section Number :</b>	3
<b>Sub-Section Id :</b>	4855842512

<b>Question Shuffling Allowed :</b>	No
<b>Is Section Default? :</b>	null
<b>Sub-Section Number :</b>	4
<b>Sub-Section Id :</b>	4855842513
<b>Question Shuffling Allowed :</b>	Yes
<b>Is Section Default? :</b>	null

## Odia

<b>Group Number :</b>	3
<b>Group Id :</b>	485584770
<b>Group Maximum Duration :</b>	45
<b>Group Minimum Duration :</b>	45
<b>Show Attended Group? :</b>	No
<b>Edit Attended Group? :</b>	No
<b>Break time :</b>	0
<b>Group Marks :</b>	200
<b>Is this Group for Examiner? :</b>	No
<b>Examiner permission :</b>	Cant View
<b>Show Progress Bar? :</b>	No

## Odia

<b>Section Id :</b>	485584888
<b>Section Number :</b>	1
<b>Section type :</b>	Online
<b>Mandatory or Optional :</b>	Mandatory
<b>Number of Questions :</b>	50
<b>Number of Questions to be attempted :</b>	40
<b>Section Marks :</b>	200
<b>Enable Mark as Answered Mark for Review and Clear Response :</b>	Yes
<b>Maximum Instruction Time :</b>	0
<b>Sub-Section Number :</b>	1
<b>Sub-Section Id :</b>	4855842514
<b>Question Shuffling Allowed :</b>	No
<b>Is Section Default? :</b>	null
<b>Sub-Section Number :</b>	2
<b>Sub-Section Id :</b>	4855842515
<b>Question Shuffling Allowed :</b>	No
<b>Is Section Default? :</b>	null
<b>Sub-Section Number :</b>	3
<b>Sub-Section Id :</b>	4855842516
<b>Question Shuffling Allowed :</b>	No
<b>Is Section Default? :</b>	null
<b>Sub-Section Number :</b>	4
<b>Sub-Section Id :</b>	4855842517
<b>Question Shuffling Allowed :</b>	Yes
<b>Is Section Default? :</b>	null

## Punjabi

<b>Group Number :</b>	4
<b>Group Id :</b>	485584771
<b>Group Maximum Duration :</b>	45
<b>Group Minimum Duration :</b>	45
<b>Show Attended Group? :</b>	No
<b>Edit Attended Group? :</b>	No
<b>Break time :</b>	0
<b>Group Marks :</b>	200
<b>Is this Group for Examiner? :</b>	No
<b>Examiner permission :</b>	Cant View
<b>Show Progress Bar? :</b>	No

## Punjabi

<b>Section Id :</b>	485584889
<b>Section Number :</b>	1
<b>Section type :</b>	Online
<b>Mandatory or Optional :</b>	Mandatory
<b>Number of Questions :</b>	50
<b>Number of Questions to be attempted :</b>	40
<b>Section Marks :</b>	200
<b>Enable Mark as Answered Mark for Review and Clear Response :</b>	Yes
<b>Maximum Instruction Time :</b>	0
<b>Sub-Section Number :</b>	1
<b>Sub-Section Id :</b>	4855842518
<b>Question Shuffling Allowed :</b>	No
<b>Is Section Default? :</b>	null
<b>Sub-Section Number :</b>	2
<b>Sub-Section Id :</b>	4855842519
<b>Question Shuffling Allowed :</b>	No
<b>Is Section Default? :</b>	null
<b>Sub-Section Number :</b>	3
<b>Sub-Section Id :</b>	4855842520
<b>Question Shuffling Allowed :</b>	No
<b>Is Section Default? :</b>	null
<b>Sub-Section Number :</b>	4
<b>Sub-Section Id :</b>	4855842521
<b>Question Shuffling Allowed :</b>	Yes
<b>Is Section Default? :</b>	null

## Tamil

<b>Group Number :</b>	5
<b>Group Id :</b>	485584772
<b>Group Maximum Duration :</b>	45
<b>Group Minimum Duration :</b>	45
<b>Show Attended Group? :</b>	No
<b>Edit Attended Group? :</b>	No
<b>Break time :</b>	0
<b>Group Marks :</b>	200
<b>Is this Group for Examiner? :</b>	No



**Examiner permission :** Cant View  
**Show Progress Bar? :** No

## Tamil

**Section Id :** 485584890  
**Section Number :** 1  
**Section type :** Online  
**Mandatory or Optional :** Mandatory  
**Number of Questions :** 50  
**Number of Questions to be attempted :** 40  
**Section Marks :** 200  
**Enable Mark as Answered Mark for Review and Clear Response :** Yes  
**Maximum Instruction Time :** 0  
**Sub-Section Number :** 1  
**Sub-Section Id :** 4855842522  
**Question Shuffling Allowed :** No  
**Is Section Default? :** null  
**Sub-Section Number :** 2  
**Sub-Section Id :** 4855842523  
**Question Shuffling Allowed :** No  
**Is Section Default? :** null  
**Sub-Section Number :** 3  
**Sub-Section Id :** 4855842524  
**Question Shuffling Allowed :** No  
**Is Section Default? :** null  
**Sub-Section Number :** 4  
**Sub-Section Id :** 4855842525  
**Question Shuffling Allowed :** Yes  
**Is Section Default? :** null

## Spanish

**Group Number :** 6  
**Group Id :** 485584773  
**Group Maximum Duration :** 45  
**Group Minimum Duration :** 45  
**Show Attended Group? :** No  
**Edit Attended Group? :** No  
**Break time :** 0  
**Group Marks :** 200  
**Is this Group for Examiner? :** No  
**Examiner permission :** Cant View  
**Show Progress Bar? :** No

## Spanish

**Section Id :** 485584891  
**Section Number :** 1  
**Section type :** Online  
**Mandatory or Optional :** Mandatory

Number of Questions :	50
Number of Questions to be attempted :	40
Section Marks :	200
Enable Mark as Answered Mark for Review and Clear Response :	Yes
Maximum Instruction Time :	0
Sub-Section Number :	1
Sub-Section Id :	4855842526
Question Shuffling Allowed :	No
Is Section Default? :	null
Sub-Section Number :	2
Sub-Section Id :	4855842527
Question Shuffling Allowed :	No
Is Section Default? :	null
Sub-Section Number :	3
Sub-Section Id :	4855842528
Question Shuffling Allowed :	No
Is Section Default? :	null
Sub-Section Number :	4
Sub-Section Id :	4855842529
Question Shuffling Allowed :	Yes
Is Section Default? :	null

## Anthropology

Group Number :	7
Group Id :	485584774
Group Maximum Duration :	45
Group Minimum Duration :	45
Show Attended Group? :	No
Edit Attended Group? :	No
Break time :	0
Group Marks :	200
Is this Group for Examiner? :	No
Examiner permission :	Cant View
Show Progress Bar? :	No

## Anthropology

Section Id :	485584892
Section Number :	1
Section type :	Online
Mandatory or Optional :	Mandatory
Number of Questions :	50
Number of Questions to be attempted :	40
Section Marks :	200
Enable Mark as Answered Mark for Review and Clear Response :	Yes
Maximum Instruction Time :	0
Sub-Section Number :	1
Sub-Section Id :	4855842530
Question Shuffling Allowed :	Yes
Is Section Default? :	null

Question Number : 51 Question Id : 48558434206 Question Type : MCQ Option Shuffling : No Is Question Mandatory : No Calculator : None Response Time : N.A Think Time : N.A Minimum Instruction Time : 0  
Correct Marks : 5 Wrong Marks : 1

Question Key Details :

Key	Value
Comprehension	MCQ

The science of genetics is an important discipline which deals with the:

1. Study of organism in their natural habitat
2. Study of relation of humans and their culture
3. Study of heredity or mechanism of inheritance
4. Study of micro-organism

Options :

485584136821. 1  
485584136822. 2  
485584136823. 3  
485584136824. 4

Question Number : 51 Question Id : 48558434206 Question Type : MCQ Option Shuffling : No Is Question Mandatory : No Calculator : None Response Time : N.A Think Time : N.A Minimum Instruction Time : 0  
Correct Marks : 5 Wrong Marks : 1

Question Key Details :

Key	Value
Comprehension	MCQ

ವಂಶವಾಹಿ ಅಧ್ಯಯನ ವಿಜ್ಞಾನವು ಒಂದು ಪ್ರಮುಖವಾದ ಅಧ್ಯಯನಾಂಗವಾಗಿದ್ದು, ಅದು ಯಾವುದರ ಅಧ್ಯಯನಕ್ಕೆ ಸಂಬಂಧಿಸಿದೆ ಎಂದರೆ-

1. ಜೀವಿಯೊಂದರ ನೈಸರ್ಗಿಕ ಆಸಾವದಲ್ಲಿನ ಅಧ್ಯಯನ
2. ಮಾನವರು ಮತ್ತುದರ ಸಾಂಸ್ಕೃತಿಕ ಸಂಬಂಧಗಳ ಬಗೆಗಿನ ಅಧ್ಯಯನ
3. ಆನುವಂಶೀಯತೆಯ ತಂತ್ರ ಅಥವಾ ಆನುವಂಶೀಯತೆಯ ಅಧ್ಯಯನ
4. ಸೂಕ್ಷ್ಮಜೀವಿಗಳ ಅಧ್ಯಯನ

Options :

485584136821. 1  
485584136822. 2  
485584136823. 3  
485584136824. 4

Question Number : 52 Question Id : 48558434207 Question Type : MCQ Option Shuffling : No Is Question Mandatory : No Calculator : None Response Time : N.A Think Time : N.A Minimum Instruction Time : 0  
Correct Marks : 5 Wrong Marks : 1

Question Key Details :

Key	Value
-----	-------

Comprehension	MCQ
---------------	-----

Scientists associated with rediscovery of Mendel's law were.

1. de Vries, Carrens and von Tschermak
2. Walter Sutton, Landsteiner and Theodore Boveri
3. Longdon Varies, James Watson and Mark Chose
4. Alfred Hershey, Peter Curtstein and Victor Hugo

**Options :**

485584136825. 1  
485584136826. 2  
485584136827. 3  
485584136828. 4

**Question Number : 52 Question Id : 48558434207 Question Type : MCQ Option Shuffling : No Is Question Mandatory : No Calculator : None Response Time : N.A Think Time : N.A Minimum Instruction Time : 0**

**Correct Marks : 5 Wrong Marks : 1**

**Question Key Details :**

Key	Value
Comprehension	MCQ

ಮಂಡಲನ ನಿಯಮದ ಪುನರ್ ಸಂಶೋಧನೆಯ ಜೊತೆಗೆ ಸೇರಿರುವ ವಿಜ್ಞಾನಿಗಳೆಂದರೆ -

1. ಡಿವ್ರೀಸ್, ಕರೆನ್ಸ್, ಮತ್ತು ವಾನ್ ಕ್ಲೆಮಾರ್ಕ್
2. ವಾಲ್ಟರ್ ಸಟ್ವೆನ್, ಲ್ಯಾಂಡ್‌ಸ್ಟೀನರ್ ಮತ್ತು ಥಿಯೋಡೋರ್ ಬೋವೆರಿ
3. ಲಾಂಗ್ಡನ್ ವೇರಿಸ್, ಜೇಮ್ಸ್ ವಾಟ್ಸನ್ ಮತ್ತು ಮಾರ್ಕ್ ಕೋಸೆ
4. ಆಲ್ಫ್ರೆಡ್ ಹರ್ಷೆ, ಪೀಟರ್ ಕರ್ಟ್‌ಸ್ಟೀನ್ ಮತ್ತು ವಿಕ್ಟರ್ ಹೂಗೋ

**Options :**

485584136825. 1  
485584136826. 2  
485584136827. 3  
485584136828. 4

**Question Number : 53 Question Id : 48558434208 Question Type : MCQ Option Shuffling : No Is Question Mandatory : No Calculator : None Response Time : N.A Think Time : N.A Minimum Instruction Time : 0**

**Correct Marks : 5 Wrong Marks : 1**

**Question Key Details :**

Key	Value
Comprehension	MCQ

The production of gametes by the parents, the formation of the Zygotes, the F1 and F2 plants can be understood from a diagram called as:

1. Mendel Square
2. Punnett Square
3. Watson Square
4. Francis Crick Square

**Options :**

485584136829. 1  
485584136830. 2  
485584136831. 3  
485584136832. 4

**Question Number : 53 Question Id : 48558434208 Question Type : MCQ Option Shuffling : No Is Question Mandatory : No Calculator : None Response Time : N.A Think Time : N.A Minimum Instruction Time : 0**

**Correct Marks : 5 Wrong Marks : 1**

**Question Key Details :**

Key	Value
Comprehension	MCQ

ಪೋಷಕರಿಂದ ಲಿಂಗಾಣುಗಳ ಉತ್ಪಾದನೆ, ಯುಗ್ಮಗಳ ಉತ್ಪತ್ತಿ ಮತ್ತು F<sub>1</sub> ಮತ್ತು F<sub>2</sub> ಸಸ್ಯಗಳನ್ನು ಅರ್ಥೈಸಿಕೊಳ್ಳಬಹುದಾಗಿರುವ ಚಿತ್ರವನ್ನು ಏನೆಂದು ಕರೆಯುತ್ತಾರೆಂದರೆ:

1. ಮೆಂಡಲ್ ಚೌಕ
2. ಪುನೆಟ್ ಚೌಕ
3. ವ್ಯಾಟ್ಸನ್ ಚೌಕ
4. ಫ್ರಾನ್ಸಿಸ್ ಕ್ರಿಕ್ ಚೌಕ

**Options :**

485584136829. 1  
485584136830. 2  
485584136831. 3  
485584136832. 4

**Question Number : 54 Question Id : 48558434209 Question Type : MCQ Option Shuffling : No Is Question Mandatory : No Calculator : None Response Time : N.A Think Time : N.A Minimum Instruction Time : 0**

**Correct Marks : 5 Wrong Marks : 1**

**Question Key Details :**

Key	Value
Comprehension	MCQ

The belief without scientific basis that some "races" are inferior to others is known as:

1. Ethnocentrism
2. Racism
3. Cultural relativism
4. Animatism

**Options :**

485584136833. 1  
485584136834. 2  
485584136835. 3  
485584136836. 4

**Question Number : 54 Question Id : 48558434209 Question Type : MCQ Option Shuffling : No Is Question Mandatory : No Calculator : None Response Time : N.A Think Time : N.A Minimum Instruction Time : 0**

**Correct Marks : 5 Wrong Marks : 1**

**Question Key Details :**

Key	Value
Comprehension	MCQ

ಕೆಲವು 'ಜನಾಂಗ'ಗಳು ಇನ್ನಿತರದವುಗಳಿಗಿಂತ ಕೀಳು ಎಂಬ ವೈಜ್ಞಾನಿಕ ಆಧಾರರಹಿತವಾದ ನಂಬಿಕೆಗಳನ್ನು ಏನೆಂದು ತಿಳಿಯಲಾಗಿದೆಯೆಂದರೆ:

1. ಎಥ್ನೋಸೆಂಟ್ರಿಸಮ್
2. ರೇಸಿಸಮ್
3. ಸಾಂಸ್ಕೃತಿಕ ರಿಲೇಟಿವಿಸಮ್
4. ಅನಿಮಾಟಿಸಮ್

**Options :**

485584136833. 1  
485584136834. 2  
485584136835. 3  
485584136836. 4

**Question Number : 55 Question Id : 48558434210 Question Type : MCQ Option Shuffling : No Is Question Mandatory : No Calculator : None Response Time : N.A Think Time : N.A Minimum Instruction Time : 0**

**Correct Marks : 5 Wrong Marks : 1**

**Question Key Details :**

Key	Value
Comprehension	MCQ

The Fibrinogen has got some special features. It may cause clotting in whole blood by creating certain fibrous substances known as:

1. Clot
2. Lymph
3. PLASMA
4. Fibrin

**Options :**

485584136837. 1  
485584136838. 2  
485584136839. 3  
485584136840. 4

**Question Number : 55 Question Id : 48558434210 Question Type : MCQ Option Shuffling : No Is Question Mandatory : No Calculator : None Response Time : N.A Think Time : N.A Minimum Instruction Time : 0**

**Correct Marks : 5 Wrong Marks : 1**

**Question Key Details :**

Key	Value
Comprehension	MCQ

ಫೈಬ್ರಿನೋಜನ್ ಹಲವು ವಿಶೇಷ ಗುಣಲಕ್ಷಣಗಳನ್ನು ಹೊಂದಿದೆ. ಅದು ಪೂರ್ಣ ರಕ್ತದಲ್ಲಿ ಕೆಲವು ತಂತುರೂಪಿ ವಸ್ತುಗಳನ್ನು ಸೃಷ್ಟಿಸುವುದರ ಮೂಲಕ ರಕ್ತವನ್ನು ಹೆಪ್ಪುಗಟ್ಟಿಸಬಹುದಾಗಿದ್ದು, ಅದನ್ನು ಏನೆಂದು ತಿಳಿಯಲಾಗಿದೆ ಎಂದರೆ:

1. ಕ್ಲಾಟ್
2. ಲಿಂಫ್
3. ಪ್ಲಾಸ್ಮಾ
4. ಫೈಬ್ರಿನ್

**Options :**

485584136837. 1  
485584136838. 2  
485584136839. 3  
485584136840. 4

**Question Number : 56 Question Id : 48558434211 Question Type : MCQ Option Shuffling : No Is Question Mandatory : No Calculator : None Response Time : N.A Think Time : N.A Minimum Instruction Time : 0**

**Correct Marks : 5 Wrong Marks : 1**

**Question Key Details :**

Key	Value
Comprehension	MCQ

Match List I with List II

LIST I Persons of blood group		LIST II Can receive blood from persons having blood group	
A.	A	I.	O
B.	B	II.	A, B, AB, O
C.	AB	III.	B, O
D.	O	IV.	A, O

Choose the correct answer from the options given below:

1. A-IV, B-II, C-III, D-I
2. A-I, B-II, C-III, D-IV
3. A-IV, B-III, C-II, D-I
4. A-II, B-III, C-I, D-IV

Options :

485584136841. 1  
485584136842. 2  
485584136843. 3  
485584136844. 4

Question Number : 56 Question Id : 48558434211 Question Type : MCQ Option Shuffling : No Is Question Mandatory : No Calculator : None Response Time : N.A Think Time : N.A Minimum Instruction Time : 0

Correct Marks : 5 Wrong Marks : 1

Question Key Details :

Key	Value
Comprehension	MCQ

ಪಟ್ಟಿ - I ಅನ್ನು ಪಟ್ಟಿ - II ರ ಜೊತೆ ಹೊಂದಿಸಿ:

ಪಟ್ಟಿ-I ವ್ಯಕ್ತಿಗಳ ರಕ್ತದ ಗುಂಪು		ಪಟ್ಟಿ- II ಈ ರಕ್ತದ ಗುಂಪನ್ನು ಹೊಂದಿರುವ ವ್ಯಕ್ತಿಗಳಿಂದ ರಕ್ತವನ್ನು ಪಡೆಯಬಹುದಾಗಿದೆ	
A.	A	I.	O
B.	B	II.	A, B, AB, O
C.	AB	III.	B, O
D.	O	IV.	A, O

ಈ ಕೆಳಗಿನ ಆಯ್ಕೆಗಳಿಂದ ಸರಿಯಾದ ಉತ್ತರವನ್ನು ಆರಿಸಿ:

1. A-IV, B-II, C-III, D-I
2. A-I, B-II, C-III, D-IV
3. A-IV, B-III, C-II, D-I
4. A-II, B-III, C-I, D-IV

Options :

485584136841. 1



485584136842. 2  
485584136843. 3  
485584136844. 4

**Question Number : 57 Question Id : 48558434212 Question Type : MCQ Option Shuffling : No Is Question Mandatory :  
No Calculator : None Response Time : N.A Think Time : N.A Minimum Instruction Time : 0**

**Correct Marks : 5 Wrong Marks : 1**

**Question Key Details :**

Key	Value
Comprehension	MCQ

Write the following in chronological order beginning from the oldest to the newest.

- A. Microliths
- B. Copper - clay culture
- C. Core tool industry
- D. Flake tool culture
- E. Blade tool culture

Choose the correct answer from the options given below:

- 1. A, B, C, D, E
- 2. C, D, A, B, E
- 3. E, A, B, C, D
- 4. C, D, E, A, B

**Options :**

485584136845. 1  
485584136846. 2  
485584136847. 3  
485584136848. 4

**Question Number : 57 Question Id : 48558434212 Question Type : MCQ Option Shuffling : No Is Question Mandatory :  
No Calculator : None Response Time : N.A Think Time : N.A Minimum Instruction Time : 0**

**Correct Marks : 5 Wrong Marks : 1**

**Question Key Details :**

Key	Value
Comprehension	MCQ

ಈ ಕೆಳಗಿನವುಗಳನ್ನು ಕಾಲಾನುಕ್ರಮ ವ್ಯವಸ್ಥೆಯಲ್ಲಿ ಬರೆಯಿರಿ.

- A. ಮೈಕ್ರೋಶಿಲೆಗಳು
- B. ತಾಮ್ರ - ಜೀಡಿ ಸಂಸ್ಕೃತಿ
- C. ಕೋರ್ ಟೂಲ್ ಕೈಗಾರಿಕೆ
- D. ಪ್ಲೇಕ್ ಟೂಲ್ ಸಂಸ್ಕೃತಿ
- E. ಬ್ಲೆಡ್ ಟೂಲ್ ಸಂಸ್ಕೃತಿ

ಈ ಕೆಳಗಿನ ಆಯ್ಕೆಗಳಿಂದ ಸರಿಯಾದ ಉತ್ತರವನ್ನು ಆರಿಸಿ:

- 1. A, B, C, D, E
- 2. C, D, A, B, E
- 3. E, A, B, C, D
- 4. C, D, E, A, B

**Options :**

- 485584136845. 1
- 485584136846. 2
- 485584136847. 3
- 485584136848. 4

**Question Number : 58 Question Id : 48558434213 Question Type : MCQ Option Shuffling : No Is Question Mandatory : No Calculator : None Response Time : N.A Think Time : N.A Minimum Instruction Time : 0 Correct Marks : 5 Wrong Marks : 1**

**Question Key Details :**

Key	Value
Comprehension	MCQ

To determine the genotype of a tall plant at  $F_2$  generation, Mendel crossed the tall plant from  $F_2$  generation with a dwarf plant. This he called as:

- 1. Monohybrid Cross
- 2. Dihybrid Cross
- 3. Back Cross
- 4. Test Cross

**Options :**

- 485584136849. 1
- 485584136850. 2
- 485584136851. 3
- 485584136852. 4

**Question Number : 58 Question Id : 48558434213 Question Type : MCQ Option Shuffling : No Is Question Mandatory : No Calculator : None Response Time : N.A Think Time : N.A Minimum Instruction Time : 0 Correct Marks : 5 Wrong Marks : 1**

**Question Key Details :**

Key	Value
-----	-------

F<sub>2</sub> ಪೀಳಿಗೆಯಲ್ಲಿ ಉದ್ದ ಸಸ್ಯದ ವಂಶವಾಹಿ ನಮೂನೆಯನ್ನು ನಿರ್ಧರಿಸಲು ಮೆಂಡಲನು F<sub>2</sub> ಪೀಳಿಗೆಯ ಉದ್ದ ಸಸ್ಯವನ್ನು ಗಿಡ್ಡ ಸಸ್ಯದ ಜೊತೆ ಅಡ್ಡಹಾಯಿಸಿದನು. ಇದನ್ನು ಆತನು ಏನೆಂದು ಕರೆದನೆಂದರೆ:

1. ಏಕಸಂಕರ ಅಡ್ಡಹಾಯುವಿಕೆ
2. ದ್ವಿಸಂಕರ ಅಡ್ಡಹಾಯುವಿಕೆ
3. ಹಿಮ್ಮುಖ ಅಡ್ಡಹಾಯುವಿಕೆ
4. ಪರೀಕ್ಷಾ ಅಡ್ಡಹಾಯುವಿಕೆ

**Options :**

485584136849. 1  
485584136850. 2  
485584136851. 3  
485584136852. 4

**Question Number : 59 Question Id : 48558434214 Question Type : MCQ Option Shuffling : No Is Question Mandatory : No Calculator : None Response Time : N.A Think Time : N.A Minimum Instruction Time : 0**

**Correct Marks : 5 Wrong Marks : 1**

**Question Key Details :**

Key	Value
Comprehension	MCQ

Which of the following does not belong to the Mendel's law of inheritance.

1. Law of Dominance
2. Law of Segregation
3. Use and Disuse of organs
4. Law of Purity of gametes

**Options :**

485584136853. 1  
485584136854. 2  
485584136855. 3  
485584136856. 4

**Question Number : 59 Question Id : 48558434214 Question Type : MCQ Option Shuffling : No Is Question Mandatory : No Calculator : None Response Time : N.A Think Time : N.A Minimum Instruction Time : 0**

**Correct Marks : 5 Wrong Marks : 1**

**Question Key Details :**

Key	Value
Comprehension	MCQ

ಮೆಂಡಲನ ಆನುವಂಶೀಯತೆ ನಿಯಮಕ್ಕೆ ಸೇರದಿರುವುದು ಈ ಕೆಳಗಿನವುಗಳಲ್ಲಿ ಯಾವುದು?

1. ಪ್ರಬಲತೆಯ ನಿಯಮ
2. ಬೇರ್ಪಡಿಕೆಯ ನಿಯಮ
3. ಅಂಗಗಳ ಬಳಕೆ ಮತ್ತು ಅಪಬಳಕೆ
4. ಲಿಂಗಾಣುಗಳ ಪರಿಶುದ್ಧತೆ

**Options :**

485584136853. 1  
485584136854. 2  
485584136855. 3  
485584136856. 4

**Question Number : 60 Question Id : 48558434215 Question Type : MCQ Option Shuffling : No Is Question Mandatory : No Calculator : None Response Time : N.A Think Time : N.A Minimum Instruction Time : 0**

**Correct Marks : 5 Wrong Marks : 1**

**Question Key Details :**

Key	Value
Comprehension	MCQ

Which of the following are considered as primary race ?

- A. Mongoloid
- B. Australoid
- C. Vedoid
- D. Negroid
- E. Caucasoid

Choose the correct answer from the options given below:

1. A, D and E only
2. A, B and C only
3. B, C and D only
4. C, D and E only

**Options :**

485584136857. 1  
485584136858. 2  
485584136859. 3  
485584136860. 4

**Question Number : 60 Question Id : 48558434215 Question Type : MCQ Option Shuffling : No Is Question Mandatory : No Calculator : None Response Time : N.A Think Time : N.A Minimum Instruction Time : 0**

**Correct Marks : 5 Wrong Marks : 1**

**Question Key Details :**

Key	Value
Comprehension	MCQ

ಈ ಕೆಳಗಿನವುಗಳಲ್ಲಿ ಯಾವುವುಗಳನ್ನು ಪ್ರಾಥಮಿಕ ಜನಾಂಗ ಎಂದು ಪರಿಗಣಿಸಲಾಗಿದೆ?

- A. ಮಂಗೋಲಾಯ್ಡ್
- B. ಆಸ್ಟ್ರಲಾಯ್ಡ್
- C. ವೆಡ್ಡಾಯ್ಡ್
- D. ನೀಗ್ರಾಯ್ಡ್
- E. ಕಕುಸಾಯ್ಡ್

ಈ ಕೆಳಗಿನ ಆಯ್ಕೆಗಳಿಂದ ಸರಿಯಾದ ಉತ್ತರವನ್ನು ಆರಿಸಿ:

1. A, D ಮತ್ತು E ಮಾತ್ರ
2. A, B ಮತ್ತು C ಮಾತ್ರ
3. B, C ಮತ್ತು D ಮಾತ್ರ
4. C, D ಮತ್ತು E ಮಾತ್ರ

**Options :**

- 485584136857. 1
- 485584136858. 2
- 485584136859. 3
- 485584136860. 4

**Question Number : 61 Question Id : 48558434216 Question Type : MCQ Option Shuffling : No Is Question Mandatory : No Calculator : None Response Time : N.A Think Time : N.A Minimum Instruction Time : 0**

**Correct Marks : 5 Wrong Marks : 1**

**Question Key Details :**

Key	Value
Comprehension	MCQ

Match List I with List II

LIST I		LIST II	
A.	Anvil technique	I.	Swinging blow method
B.	Blade technique	II.	Negative Bulb of Percussion
C.	Clactonian technique	III.	Blade Tools
D.	Stone hammer technique	IV.	Handaxes

Choose the correct answer from the options given below:

1. A-IV, B-II, C-I, D-III
2. A-IV, B-III, C-I, D-II
3. A-I, B-II, C-III, D-IV
4. A-II, B-III, C-IV, D-I

**Options :**

- 485584136861. 1
- 485584136862. 2
- 485584136863. 3

485584136864. 4

Question Number : 61 Question Id : 48558434216 Question Type : MCQ Option Shuffling : No Is Question Mandatory : No Calculator : None Response Time : N.A Think Time : N.A Minimum Instruction Time : 0

Correct Marks : 5 Wrong Marks : 1

Question Key Details :

Key	Value
Comprehension	MCQ

ಪಟ್ಟಿ - I ಅನ್ನು ಪಟ್ಟಿ - II ರ ಜೊತೆ ಹೊಂದಿಸಿ:

ಪಟ್ಟಿ - I	ಪಟ್ಟಿ - II
A. ಒಡಿಗಲ್ಲು (Anvil) ತಾಂತ್ರಿಕತೆ	I. ಸ್ಪಿಂಗಿಂಗ್ ಬ್ಲೋ ವಿಧಾನ
B. ಬ್ಲೆಡ್ ತಾಂತ್ರಿಕತೆ	II. ನೆಗೆಟಿವ್ ಬಲ್ಬ್ ಆಫ್ ಪರ್ಕಶನ್
C. ಕ್ವಾಕ್ರೋನಿಯನ್ ತಾಂತ್ರಿಕತೆ	III. ಬ್ಲೆಡ್ ಟೂಲ್ಸ್
D. ಕಲ್ಲು ಸುತ್ತಿಗೆ ತಾಂತ್ರಿಕತೆ	IV. ಕೈಗೊಡಲಿಗಳು

ಈ ಕೆಳಗಿನ ಆಯ್ಕೆಗಳಿಂದ ಸರಿಯಾದ ಉತ್ತರವನ್ನು ಆರಿಸಿ:

1. A-IV, B-II, C-I, D-III
2. A-IV, B-III, C-I, D-II
3. A-I, B-II, C-III, D-IV
4. A-II, B-III, C-IV, D-I

Options :

485584136861. 1
485584136862. 2
485584136863. 3
485584136864. 4

Question Number : 62 Question Id : 48558434217 Question Type : MCQ Option Shuffling : No Is Question Mandatory : No Calculator : None Response Time : N.A Think Time : N.A Minimum Instruction Time : 0

Correct Marks : 5 Wrong Marks : 1

Question Key Details :

Key	Value
Comprehension	MCQ

The first metal used in the human culture to make various implements was:

1. Bronze
2. Iron
3. Zinc
4. Copper

Options :

485584136865. 1
485584136866. 2
485584136867. 3

**Question Number : 62 Question Id : 48558434217 Question Type : MCQ Option Shuffling : No Is Question Mandatory : No Calculator : None Response Time : N.A Think Time : N.A Minimum Instruction Time : 0**

**Correct Marks : 5 Wrong Marks : 1**

**Question Key Details :**

Key	Value
Comprehension	MCQ

ವಿವಿಧ ಉಪಕರಣಗಳನ್ನು ಅಥವಾ ಆಯುಧಗಳನ್ನು ಮಾಡಲು ಮಾನವ ಸಂಸ್ಕೃತಿಯಲ್ಲಿ ಮೊದಲು ಉಪಯೋಗಿಸಿದ ಲೋಹವೆಂದರೆ,

1. ಕಂಚು
2. ಕಬ್ಬಿಣ
3. ಸತು
4. ತಾಮ್ರ

**Options :**

485584136865. 1  
485584136866. 2  
485584136867. 3  
485584136868. 4

**Question Number : 63 Question Id : 48558434218 Question Type : MCQ Option Shuffling : No Is Question Mandatory : No Calculator : None Response Time : N.A Think Time : N.A Minimum Instruction Time : 0**

**Correct Marks : 5 Wrong Marks : 1**

**Question Key Details :**

Key	Value
Comprehension	MCQ

Chopper - Chopping comprises of which of the following types?

- A. Pebble tool
- B. Chopper
- C. Chopping
- D. Proto handaxe
- E. Points

Choose the correct answer from the options given below:

1. A, B, C, E only
2. B, C, D and E only
3. A, B, C and D only
4. A, B, and E only

**Options :**

485584136869. 1  
485584136870. 2

485584136871. 3

485584136872. 4

**Question Number : 63 Question Id : 48558434218 Question Type : MCQ Option Shuffling : No Is Question Mandatory : No Calculator : None Response Time : N.A Think Time : N.A Minimum Instruction Time : 0**

**Correct Marks : 5 Wrong Marks : 1**

**Question Key Details :**

Key	Value
Comprehension	MCQ

ಕೊಡಲಿ - ಕತ್ತರಿಸುವಿಕೆಯು ಈ ಕೆಳಗಿನ ಯಾವ ವಿಧಗಳನ್ನು ಒಳಗೊಂಡಿದೆ?

- A. ಉರುಟುಗಲ್ಲು ಆಯುಧ/ಪರಿಕರ
- B. ಕೊಡಲಿ
- C. ಕತ್ತರಿಸುವಿಕೆ
- D. ಪ್ರಾಚೀನ ಕೈಕೊಡಲಿ
- E. ಮೊನಚು ಸುತ್ತಿಗೆ (Points)

ಈ ಕೆಳಗಿನ ಆಯ್ಕೆಗಳಿಂದ ಸರಿಯಾದ ಉತ್ತರವನ್ನು ಆರಿಸಿ:

- 1. A, B, C ಮತ್ತು E ಮಾತ್ರ
- 2. B, C, D ಮತ್ತು E ಮಾತ್ರ
- 3. A, B, C ಮತ್ತು D ಮಾತ್ರ
- 4. A, B ಮತ್ತು E ಮಾತ್ರ

**Options :**

485584136869. 1

485584136870. 2

485584136871. 3

485584136872. 4

**Question Number : 64 Question Id : 48558434219 Question Type : MCQ Option Shuffling : No Is Question Mandatory : No Calculator : None Response Time : N.A Think Time : N.A Minimum Instruction Time : 0**

**Correct Marks : 5 Wrong Marks : 1**

**Question Key Details :**

Key	Value
Comprehension	MCQ

\_\_\_\_\_ is believed to have dominated the Middle Palaeolithic stage of human culture.

- 1. Homo-sapien sapien
- 2. Narmada man
- 3. Neanderthal man
- 4. Homo erectus

**Options :**

485584136873. 1



485584136874. 2

485584136875. 3

485584136876. 4

**Question Number : 64 Question Id : 48558434219 Question Type : MCQ Option Shuffling : No Is Question Mandatory : No Calculator : None Response Time : N.A Think Time : N.A Minimum Instruction Time : 0**

**Correct Marks : 5 Wrong Marks : 1**

**Question Key Details :**

Key	Value
Comprehension	MCQ

ಮಾನವ ಸಂಸ್ಕೃತಿಯಲ್ಲಿ ಮಧ್ಯ ಪ್ರಾಚೀನ ಶಿಲಾಯುಗ ಕಾಲದಲ್ಲಿ \_\_\_\_\_ ಪ್ರಧಾನವಾಗಿದ್ದವು ಎಂದು ನಂಬಲಾಗಿದೆ.

1. ಹೋಮೋ ಸೆಪಿಯನ್ ಸೆಪಿಯನ್ಸ್
2. ನರ್ಮದಾ ಮಾನವ
3. ನಿಯಂಡರ್ ಥಾಲ್ ಮಾನವ
4. ಹೋಮೋ ಎಲೆಕ್ಟಸ್

**Options :**

485584136873. 1

485584136874. 2

485584136875. 3

485584136876. 4

**Question Number : 65 Question Id : 48558434220 Question Type : MCQ Option Shuffling : No Is Question Mandatory : No Calculator : None Response Time : N.A Think Time : N.A Minimum Instruction Time : 0**

**Correct Marks : 5 Wrong Marks : 1**

**Question Key Details :**

Key	Value
Comprehension	MCQ

The earliest occurrence of Middle Palaeolithic cultural phase in India is dated around:

1. 1,00,000 BC
2. 10,000 BC
3. 36,000 BC
4. 3,60,000 BC

**Options :**

485584136877. 1

485584136878. 2

485584136879. 3

485584136880. 4

**Question Number : 65 Question Id : 48558434220 Question Type : MCQ Option Shuffling : No Is Question Mandatory : No Calculator : None Response Time : N.A Think Time : N.A Minimum Instruction Time : 0**

Correct Marks : 5 Wrong Marks : 1

Question Key Details :

Key	Value
Comprehension	MCQ

ಮಧ್ಯಪ್ರಾಚೀನ ಶಿಲಾಯುಗದ ಸಾಂಸ್ಕೃತಿಕ ಹಂತದ ಮೊಟ್ಟ ಮೊದಲ ಇರುವಿಕೆಯ ಕಾಲವೆಂದರೆ:

1. 1,00,000 BC
2. 10,000 BC
3. 36,000 BC
4. 3,60,000 BC

Options :

485584136877. 1  
485584136878. 2  
485584136879. 3  
485584136880. 4

Question Number : 66 Question Id : 48558434221 Question Type : MCQ Option Shuffling : No Is Question Mandatory : No Calculator : None Response Time : N.A Think Time : N.A Minimum Instruction Time : 0

Correct Marks : 5 Wrong Marks : 1

Question Key Details :

Key	Value
Comprehension	MCQ

The transitional period between Upper Palaeolithic and Neolithic is:

1. Lower Palaeolithic
2. Middle Palaeolithic
3. Mesolithic
4. Chalcolithic Culture

Options :

485584136881. 1  
485584136882. 2  
485584136883. 3  
485584136884. 4

Question Number : 66 Question Id : 48558434221 Question Type : MCQ Option Shuffling : No Is Question Mandatory : No Calculator : None Response Time : N.A Think Time : N.A Minimum Instruction Time : 0

Correct Marks : 5 Wrong Marks : 1

Question Key Details :

Key	Value
Comprehension	MCQ

ಅಪ್ಪರ್-ಪ್ರಾಚೀನ ಶಿಲಾಯುಗ ಮತ್ತು ನವಶಿಲಾಯುಗದ ಸಂಕ್ರಮಣ ಅವಧಿಯು\_\_\_\_\_.

1. ಲೋಯರ್ ಪ್ರಾಚೀನ ಶಿಲಾಯುಗ
2. ಮಧ್ಯದ ಪ್ರಾಚೀನ ಶಿಲಾಯುಗ
3. ಮಧ್ಯ ಶಿಲಾಯುಗ
4. ತಾಮ್ರಯುಗದ ಸಂಸ್ಕೃತಿ

**Options :**

485584136881. 1  
485584136882. 2  
485584136883. 3  
485584136884. 4

**Question Number : 67 Question Id : 48558434222 Question Type : MCQ Option Shuffling : No Is Question Mandatory : No Calculator : None Response Time : N.A Think Time : N.A Minimum Instruction Time : 0**

**Correct Marks : 5 Wrong Marks : 1**

**Question Key Details :**

Key	Value
Comprehension	MCQ

The earliest manifestation of Neolithic Culture in South India is seen at.

1. Burzahom
2. Bagor
3. Sanganakallu
4. Hathnora

**Options :**

485584136885. 1  
485584136886. 2  
485584136887. 3  
485584136888. 4

**Question Number : 67 Question Id : 48558434222 Question Type : MCQ Option Shuffling : No Is Question Mandatory : No Calculator : None Response Time : N.A Think Time : N.A Minimum Instruction Time : 0**

**Correct Marks : 5 Wrong Marks : 1**

**Question Key Details :**

Key	Value
Comprehension	MCQ

ದಕ್ಷಿಣ ಭಾರತದಲ್ಲಿ ನವಶಿಲಾಯುಗ ಸಂಸ್ಕೃತಿಯ ಮೊತ್ತ ಮೊದಲು ಅನಾವರಣಗೊಂಡಿದ್ದನ್ನು ಕಾಣಬಹುದಾಗಿರುವುದು ಇಲ್ಲಿ:

1. ಬರ್ಯೂಹಾಮ್
2. ಬೇಗರ್
3. ಸಂಗನಕಲ್ಲು
4. ಹತ್ತೊರ

**Options :**

485584136885. 1  
485584136886. 2  
485584136887. 3  
485584136888. 4

**Question Number : 68 Question Id : 48558434223 Question Type : MCQ Option Shuffling : No Is Question Mandatory : No Calculator : None Response Time : N.A Think Time : N.A Minimum Instruction Time : 0**

**Correct Marks : 5 Wrong Marks : 1**

**Question Key Details :**

Key	Value
Comprehension	MCQ

Arrange the following in chronological order beginning with the oldest first.

- A. Lower Palaeolithic
- B. Neolithic
- C. Middle Palaeolithic
- D. Mesolithic
- E. Upper Palaeolithic

Choose the correct answer from the options given below:

1. A, B, C, D, E
2. B, D, C, E, A
3. A, C, E, D, B
4. A, E, B, C, D

**Options :**

485584136889. 1  
485584136890. 2  
485584136891. 3  
485584136892. 4

**Question Number : 68 Question Id : 48558434223 Question Type : MCQ Option Shuffling : No Is Question Mandatory : No Calculator : None Response Time : N.A Think Time : N.A Minimum Instruction Time : 0**

**Correct Marks : 5 Wrong Marks : 1**

**Question Key Details :**

Key	Value
-----	-------

ಈ ಕೆಳಗಿನವುಗಳನ್ನು ಕಾಲಾನುಕ್ರಮದಲ್ಲಿ ಜೋಡಿಸಿ:

- A. ಲೋಯರ್ ಪ್ರಾಚೀನ ಶಿಲಾಯುಗ
- B. ನವಶಿಲಾಯುಗ
- C. ಮಧ್ಯದ ಪ್ರಾಚೀನ ಶಿಲಾಯುಗ
- D. ಮಧ್ಯ ಶಿಲಾಯುಗ
- E. ಅಪ್ಪರ್ ಪ್ರಾಚೀನ ಶಿಲಾಯುಗ

ಈ ಕೆಳಗಿನ ಆಯ್ಕೆಗಳಿಂದ ಸರಿಯಾದ ಉತ್ತರವನ್ನು ಆರಿಸಿ:

- 1. A, B, C, D, E
- 2. B, D, C, E, A
- 3. A, C, E, D, B
- 4. A, E, B, C, D

**Options :**

- 485584136889. 1
- 485584136890. 2
- 485584136891. 3
- 485584136892. 4

**Question Number : 69 Question Id : 48558434224 Question Type : MCQ Option Shuffling : No Is Question Mandatory : No Calculator : None Response Time : N.A Think Time : N.A Minimum Instruction Time : 0**

**Correct Marks : 5 Wrong Marks : 1**

**Question Key Details :**

Key	Value
Comprehension	MCQ

Which of the following statements are correct for S.C. Roy?

- A. He was a lawyer by profession
- B. He had a formal degree in anthropology
- C. He founded the journal, Eastern Anthropologist
- D. He was the first person to describe 'dhumkuria'
- E. He founded the journal, Man in India.

Choose the correct answer from the options given below:

- 1. A, C and E only
- 2. B, D and E only
- 3. A, D and E only
- 4. B, C and E only

**Options :**

- 485584136893. 1
- 485584136894. 2

485584136895. 3

485584136896. 4

**Question Number : 69 Question Id : 48558434224 Question Type : MCQ Option Shuffling : No Is Question Mandatory : No Calculator : None Response Time : N.A Think Time : N.A Minimum Instruction Time : 0**

**Correct Marks : 5 Wrong Marks : 1**

**Question Key Details :**

Key	Value
Comprehension	MCQ

ಎಸ್.ಸಿ. ರಾಯ್ ರವರಿಗೆ ಸಂಬಂಧಿಸಿದ ಹೇಳಿಕೆಗಳು ಈ ಕೆಳಗಿನವುಗಳಲ್ಲಿ ಯಾವುದು ಸರಿಯಾಗಿವೆ?

- A. ಅವರು ವೃತ್ತಿಯಲ್ಲಿ ನ್ಯಾಯವಾದಿಯಾಗಿದ್ದರು.
- B. ಅವರು ಮಾನವಶಾಸ್ತ್ರದಲ್ಲಿ ಸಾಂಪ್ರದಾಯಿಕ ಪದವಿ ಹೊಂದಿದ್ದರು.
- C. "ಈಸ್ಟನ್ ಆಂಥ್ರಾಪೊಲೊಜಿಸ್ಟ್" ಎಂಬ ಜರ್ನಲ್ ಅನ್ನು ಆರಂಭಿಸಿದರು.
- D. "ಧಂಕುರಿಯ"ವನ್ನು ವಿವರಿಸಿದವರಲ್ಲಿ ಅವರು ಮೊತ್ತಮೊದಲಿಗರು
- E. "ಮ್ಯಾನ್ ಇನ್ ಇಂಡಿಯ" ಎಂಬ ಜರ್ನಲ್ ಅನ್ನು ಅವರು ಆರಂಭಿಸಿದರು.

ಈ ಕೆಳಗಿನ ಆಯ್ಕೆಗಳಿಂದ ಸರಿಯಾದ ಉತ್ತರವನ್ನು ಆರಿಸಿ:

- 1. A, C ಮತ್ತು E ಮಾತ್ರ
- 2. B, D ಮತ್ತು E ಮಾತ್ರ
- 3. A, D ಮತ್ತು E ಮಾತ್ರ
- 4. B, C ಮತ್ತು E ಮಾತ್ರ

**Options :**

485584136893. 1

485584136894. 2

485584136895. 3

485584136896. 4

**Question Number : 70 Question Id : 48558434225 Question Type : MCQ Option Shuffling : No Is Question Mandatory : No Calculator : None Response Time : N.A Think Time : N.A Minimum Instruction Time : 0**

**Correct Marks : 5 Wrong Marks : 1**

**Question Key Details :**

Key	Value
Comprehension	MCQ

Arrange the following cultures in chronological order.

- A. Abbevillian
- B. Mousterian
- C. Chalcolithic
- D. Azilian
- E. Chatelperronian

Choose the correct answer from the options given below:

1. A, B, E, D, C
2. A, B, C, D, E
3. B, C, D, A, E
4. D, E, B, A, C

**Options :**

- 485584136897. 1
- 485584136898. 2
- 485584136899. 3
- 485584136900. 4

**Question Number : 70 Question Id : 48558434225 Question Type : MCQ Option Shuffling : No Is Question Mandatory : No Calculator : None Response Time : N.A Think Time : N.A Minimum Instruction Time : 0**

**Correct Marks : 5 Wrong Marks : 1**

**Question Key Details :**

Key	Value
Comprehension	MCQ

ಈ ಕೆಳಗಿನವುಗಳನ್ನು ಕಾಲಾನುಕ್ರಮದಲ್ಲಿ ಜೋಡಿಸಿ.

- A. ಆಬ್‌ವಿಲಿಯನ್
- B. ಮೌಸ್ಟೇರಿಯನ್
- C. ತಾಮ್ರಯುಗದ
- D. ಅಲಿಸಿಯನ್
- E. ಚ್ಯಾಟೆಲ್‌ಪೆರೋನಿಯನ್

ಈ ಕೆಳಗಿನ ಆಯ್ಕೆಗಳಿಂದ ಸರಿಯಾದ ಉತ್ತರವನ್ನು ಆರಿಸಿ:

1. A, B, E, D, C
2. A, B, C, D, E
3. B, C, D, A, E
4. D, E, B, A, C

**Options :**

- 485584136897. 1
- 485584136898. 2
- 485584136899. 3
- 485584136900. 4

Question Number : 71 Question Id : 48558434226 Question Type : MCQ Option Shuffling : No Is Question Mandatory : No Calculator : None Response Time : N.A Think Time : N.A Minimum Instruction Time : 0  
Correct Marks : 5 Wrong Marks : 1

Question Key Details :

Key	Value
Comprehension	MCQ

\_\_\_\_\_ describes the diverse economic arrangements developed by human being in different times and places.

1. Physical Anthropology
2. Archaeological Anthropology
3. Economic Anthropology
4. Linguistic Anthropology

Options :

485584136901. 1  
485584136902. 2  
485584136903. 3  
485584136904. 4

Question Number : 71 Question Id : 48558434226 Question Type : MCQ Option Shuffling : No Is Question Mandatory : No Calculator : None Response Time : N.A Think Time : N.A Minimum Instruction Time : 0  
Correct Marks : 5 Wrong Marks : 1

Question Key Details :

Key	Value
Comprehension	MCQ

\_\_\_\_\_ ಇದು ಮಾನವನು ಬೇರೆ ಬೇರೆ ಕಾಲದಲ್ಲಿ ಮತ್ತು ಸ್ಥಳಗಳಲ್ಲಿ ಅಭಿವೃದ್ಧಿಪಡಿಸಿದ ಬಹುವಿಧ ಆರ್ಥಿಕ ವ್ಯವಸ್ಥೆಗಳನ್ನು ವಿವರಿಸುತ್ತದೆ.

1. ಭೌತಿಕ ಮಾನವಶಾಸ್ತ್ರ
2. ಪ್ರಾಚ್ಯವಸ್ತು ಶಾಸ್ತ್ರೀಯ ಮಾನವಶಾಸ್ತ್ರ
3. ಅರ್ಥಶಾಸ್ತ್ರೀಯ ಮಾನವಶಾಸ್ತ್ರ
4. ಭಾಷಾಶಾಸ್ತ್ರೀಯ ಮಾನವಶಾಸ್ತ್ರ

Options :

485584136901. 1  
485584136902. 2  
485584136903. 3  
485584136904. 4

Question Number : 72 Question Id : 48558434227 Question Type : MCQ Option Shuffling : No Is Question Mandatory : No Calculator : None Response Time : N.A Think Time : N.A Minimum Instruction Time : 0  
Correct Marks : 5 Wrong Marks : 1

Question Key Details :



Key	Value
Comprehension	MCQ

Arrange the following agricultural activities in order of their occurrence in the paddy cultivation.

- Threshing
- Sowing
- Harvesting
- Winnowing
- Protecting Plants

Choose the correct answer from the options given below:

- A, B, C, D, E
- E, D, B, C, A
- B, E, C, A, D
- C, D, E, B, A

**Options :**

485584136905. 1  
 485584136906. 2  
 485584136907. 3  
 485584136908. 4

**Question Number : 72 Question Id : 48558434227 Question Type : MCQ Option Shuffling : No Is Question Mandatory : No Calculator : None Response Time : N.A Think Time : N.A Minimum Instruction Time : 0**

**Correct Marks : 5 Wrong Marks : 1**

**Question Key Details :**

Key	Value
Comprehension	MCQ

ಭತ್ತದ ಕೃಷಿಯಲ್ಲಿ ಅವುಗಳು ಸಂಭವಿಸಿದ ಕಾಲದ ಆಧಾರಿತವಾಗಿ ಈ ಕೆಳಗಿನ ಕೃಷಿ ಚಟುವಟಿಕೆಗಳನ್ನು ವ್ಯವಸ್ಥಾಪನೆಗೊಳಿಸಿ.

- ಒಕ್ಕುವಿಕೆ (Threshing)
- ಬಿತ್ತನೆ
- ಕೊಯ್ಲು
- ತೂರುವಿಕೆ/ಕೇರುವಿಕೆ (Winnowing)
- ಸಸ್ಯಗಳನ್ನು ಸಂರಕ್ಷಿಸುವಿಕೆ

ಈ ಕೆಳಗಿನ ಆಯ್ಕೆಗಳಿಂದ ಸರಿಯಾದ ಉತ್ತರವನ್ನು ಆರಿಸಿ:

- A, B, C, D, E
- E, D, B, C, A
- B, E, C, A, D
- C, D, E, B, A

**Options :**

485584136905. 1  
485584136906. 2  
485584136907. 3  
485584136908. 4

**Question Number : 73 Question Id : 48558434228 Question Type : MCQ Option Shuffling : No Is Question Mandatory : No Calculator : None Response Time : N.A Think Time : N.A Minimum Instruction Time : 0**

**Correct Marks : 5 Wrong Marks : 1**

**Question Key Details :**

Key	Value
Comprehension	MCQ

Match List I with List II

LIST I		LIST II	
A.	Cultivation of fruits and vegetables	I.	Community hunting
B.	Cultivation using plough and yoke	II.	Terrace cultivation
C.	Hunting by a group of persons	III.	Plough cultivation
D.	Cultivation on hill slopes	IV.	Horticulture

Choose the correct answer from the options given below:

1. A-I, B-II, C-III, D-IV
2. A-I, B-IV, C-II, D-III
3. A-IV, B-III, C-II, D-I
4. A-IV, B-III, C-I, D-II

**Options :**

485584136909. 1  
485584136910. 2  
485584136911. 3  
485584136912. 4

**Question Number : 73 Question Id : 48558434228 Question Type : MCQ Option Shuffling : No Is Question Mandatory : No Calculator : None Response Time : N.A Think Time : N.A Minimum Instruction Time : 0**

**Correct Marks : 5 Wrong Marks : 1**

**Question Key Details :**

Key	Value
Comprehension	MCQ

ಪಟ್ಟಿ - I ಅನ್ನು ಪಟ್ಟಿ - II ರ ಜೊತೆ ಹೊಂದಿಸಿ:

ಪಟ್ಟಿ - I		ಪಟ್ಟಿ - II	
A.	ಹಣ್ಣು ಮತ್ತು ತರಕಾರಿಗಳ ಕೃಷಿ	I.	ಸಾಮುದಾಯಿಕ ಬೇಟೆ
B.	ನೇಗಿಲು ಮತ್ತು ನೊಗ ಬಳಸಿ ಕೃಷಿ	II.	ಜಾವಣಿ ಕೃಷಿ
C.	ವ್ಯಕ್ತಿಗಳ ಗುಂಪಿನಿಂದ ಬೇಟೆಯಾಡುವಿಕೆ	III.	ಉಳುಮೆ ಕೃಷಿ
D.	ಪರ್ವತ ಇಳಿಜಾರಿನಲ್ಲಿ ಕೃಷಿ	IV.	ತೋಟಗಾರಿಕೆ

ಈ ಕೆಳಗಿನ ಆಯ್ಕೆಗಳಿಂದ ಸರಿಯಾದ ಉತ್ತರವನ್ನು ಆರಿಸಿ:

1. A-I, B-II, C-III, D-IV
2. A-I, B-IV, C-II, D-III
3. A-IV, B-III, C-II, D-I
4. A-IV, B-III, C-I, D-II

**Options :**

485584136909. 1
485584136910. 2
485584136911. 3
485584136912. 4

**Question Number : 74 Question Id : 48558434229 Question Type : MCQ Option Shuffling : No Is Question Mandatory : No Calculator : None Response Time : N.A Think Time : N.A Minimum Instruction Time : 0**

**Correct Marks : 5 Wrong Marks : 1**

**Question Key Details :**

Key	Value
Comprehension	MCQ

Food Gathering economy is not based on:

1. Gathering of fruits and roots
2. Horticulture
3. Hunting
4. Fishing

**Options :**

485584136913. 1
485584136914. 2
485584136915. 3
485584136916. 4

**Question Number : 74 Question Id : 48558434229 Question Type : MCQ Option Shuffling : No Is Question Mandatory : No Calculator : None Response Time : N.A Think Time : N.A Minimum Instruction Time : 0**

**Correct Marks : 5 Wrong Marks : 1**

**Question Key Details :**

Key	Value
Comprehension	MCQ

ಆಹಾರ ಸಂಚಯ ಆರ್ಥಿಕತೆಯು ಇದರ ಮೇಲೆ ಅವಲಂಬಿತವಾಗಿಲ್ಲ:

1. ಹಣ್ಣುಗಳ ಮತ್ತು ಬೇರುಗಳ ಸಂಗ್ರಹಣೆ
2. ತೋಟಗಾರಿಕೆ
3. ಬೇಟೆಗಾರಿಕೆ
4. ಮೀನುಗಾರಿಕೆ

**Options :**

485584136913. 1  
485584136914. 2  
485584136915. 3  
485584136916. 4

**Question Number : 75 Question Id : 48558434230 Question Type : MCQ Option Shuffling : No Is Question Mandatory : No Calculator : None Response Time : N.A Think Time : N.A Minimum Instruction Time : 0**

**Correct Marks : 5 Wrong Marks : 1**

**Question Key Details :**

Key	Value
Comprehension	MCQ

In Arunachal Pradesh, Shifting Cultivation is called as.

1. Shyrti
2. Tekeonglu
3. Bogma
4. Adimik

**Options :**

485584136917. 1  
485584136918. 2  
485584136919. 3  
485584136920. 4

**Question Number : 75 Question Id : 48558434230 Question Type : MCQ Option Shuffling : No Is Question Mandatory : No Calculator : None Response Time : N.A Think Time : N.A Minimum Instruction Time : 0**

**Correct Marks : 5 Wrong Marks : 1**

**Question Key Details :**

Key	Value
Comprehension	MCQ

ಅರುಣಾಚಲ ಪ್ರದೇಶದಲ್ಲಿ "ಸ್ಥಳಾಂತರ ಬೇಸಾಯ"ವನ್ನು ಏನೆಂದು ಕರೆಯುತ್ತಾರೆ?

1. ಶಿಟಿಫ
2. ಟೆಕೊಂಗ್ಲು
3. ಬೊಗ್ಲಾ
4. ಆದಿಮಿಕ್

**Options :**

485584136917. 1  
485584136918. 2  
485584136919. 3  
485584136920. 4

**Question Number : 76 Question Id : 48558434231 Question Type : MCQ Option Shuffling : No Is Question Mandatory : No Calculator : None Response Time : N.A Think Time : N.A Minimum Instruction Time : 0**

**Correct Marks : 5 Wrong Marks : 1**

**Question Key Details :**

Key	Value
Comprehension	MCQ

Mean annual temperature (in°C) is negative in which of the following biomes.

1. Deserts
2. Tropical forests
3. Arctic and Alpine tundra
4. Grasslands

**Options :**

485584136921. 1  
485584136922. 2  
485584136923. 3  
485584136924. 4

**Question Number : 76 Question Id : 48558434231 Question Type : MCQ Option Shuffling : No Is Question Mandatory : No Calculator : None Response Time : N.A Think Time : N.A Minimum Instruction Time : 0**

**Correct Marks : 5 Wrong Marks : 1**

**Question Key Details :**

Key	Value
Comprehension	MCQ

ವಾರ್ಷಿಕ ಸರಾಸರಿ ತಾಪಮಾನ (°C ನಲ್ಲಿ) ವು ಈ ಕೆಳಗಿನ ಯಾವ ಜೈವಿಕ ರಾಶಿಯಲ್ಲಿ ಋಣಾತ್ಮಕ (negative) ಆಗಿರುತ್ತದೆ?

1. ಮರುಭೂಮಿಗಳು
2. ಉಷ್ಣವಲಯದ ಕಾಡುಗಳು
3. ಆರ್ಕ್ಟಿಕ್ ಮತ್ತು ಅಲ್ಪೋನ್ ಟೆಂಡ್ರಾ
4. ಹುಲ್ಲುಗಾವಲುಗಳು

**Options :**

485584136921. 1  
485584136922. 2  
485584136923. 3  
485584136924. 4

**Question Number : 77 Question Id : 48558434232 Question Type : MCQ Option Shuffling : No Is Question Mandatory : No Calculator : None Response Time : N.A Think Time : N.A Minimum Instruction Time : 0**

**Correct Marks : 5 Wrong Marks : 1**

**Question Key Details :**

Key	Value
Comprehension	MCQ

The micro-organisms like bacteria and fungi are called:

1. Autotrophs
2. Omnivore
3. Herbivores
4. Decomposers

**Options :**

485584136925. 1  
485584136926. 2  
485584136927. 3  
485584136928. 4

**Question Number : 77 Question Id : 48558434232 Question Type : MCQ Option Shuffling : No Is Question Mandatory : No Calculator : None Response Time : N.A Think Time : N.A Minimum Instruction Time : 0**

**Correct Marks : 5 Wrong Marks : 1**

**Question Key Details :**

Key	Value
Comprehension	MCQ

ಬ್ಯಾಕ್ಟೀರಿಯಾ ಮತ್ತು ಶಿಲೀಂಧ್ರಗಳಂತಹ ಸೂಕ್ಷ್ಮ ಜೀವಿಗಳನ್ನು ಏನೆಂದು ಕರೆಯುತ್ತಾರೆ ಎಂದರೆ,

1. ಸ್ವಪೋಷಿತವುಗಳು
2. ಭಿನ್ನಪೋಷಿತವುಗಳು
3. ಸಸ್ಯಾಹಾರಿಗಳು
4. ವಿಘಟಕಗಳು

**Options :**

485584136925. 1  
485584136926. 2  
485584136927. 3  
485584136928. 4

**Question Number : 78 Question Id : 48558434233 Question Type : MCQ Option Shuffling : No Is Question Mandatory : No Calculator : None Response Time : N.A Think Time : N.A Minimum Instruction Time : 0**

**Correct Marks : 5 Wrong Marks : 1**

**Question Key Details :**

Key	Value
Comprehension	MCQ

Match List I with List II

LIST I		LIST II	
A.	Cow	I.	Omnivore
B.	Humans	II.	Carnivore
C.	Lion	III.	Detritivore
D.	Earthworm	IV.	Herbivore

Choose the correct answer from the options given below:

1. A-II, B-I, C-III, D-IV
2. A-IV, B-I, C-II, D-III
3. A-I, B-III, C-II, D-IV
4. A-I, B-II, C-III, D-IV

**Options :**

485584136929. 1  
485584136930. 2  
485584136931. 3  
485584136932. 4

**Question Number : 78 Question Id : 48558434233 Question Type : MCQ Option Shuffling : No Is Question Mandatory : No Calculator : None Response Time : N.A Think Time : N.A Minimum Instruction Time : 0**

**Correct Marks : 5 Wrong Marks : 1**

**Question Key Details :**

Key	Value
Comprehension	MCQ

ಪಟ್ಟಿ - I ಅನ್ನು ಪಟ್ಟಿ - II ರ ಜೊತೆ ಹೊಂದಿಸಿ:

ಪಟ್ಟಿ - I	ಪಟ್ಟಿ - II
A. ಹಸು	I. ಸರ್ವಭಕ್ಷಿ
B. ಮಾನವರು	II. ಮಾಂಸಾಹಾರಿ
C. ಸಿಂಹ	III. ಕೊಳೆತಿನಿ ಜೀವಿ
D. ಎರೆಹುಳ	IV. ಸಸ್ಯಾಹಾರಿ

ಈ ಕೆಳಗಿನ ಆಯ್ಕೆಗಳಿಂದ ಸರಿಯಾದ ಉತ್ತರವನ್ನು ಆರಿಸಿ:

1. A-II, B-I, C-III, D-IV
2. A-IV, B-I, C-II, D-III
3. A-I, B-III, C-II, D-IV
4. A-I, B-II, C-III, D-IV

**Options :**

485584136929. 1  
485584136930. 2  
485584136931. 3  
485584136932. 4

**Question Number : 79 Question Id : 48558434234 Question Type : MCQ Option Shuffling : No Is Question Mandatory : No Calculator : None Response Time : N.A Think Time : N.A Minimum Instruction Time : 0**

**Correct Marks : 5 Wrong Marks : 1**

**Question Key Details :**

Key	Value
Comprehension	MCQ

Itai - Itai disease among the people of Japan was primarily caused due to consumption of.

- A. Cadmium contaminated rice
- B. Cadmium contaminated water
- C. Cadmium Contaminated Fish
- D. Contaminated Milk

1. A and B only
2. B and C only
3. C and D only
4. A and D only

**Options :**

485584136933. 1  
485584136934. 2  
485584136935. 3  
485584136936. 4



Question Number : 79 Question Id : 48558434234 Question Type : MCQ Option Shuffling : No Is Question Mandatory : No Calculator : None Response Time : N.A Think Time : N.A Minimum Instruction Time : 0

Correct Marks : 5 Wrong Marks : 1

Question Key Details :

Key	Value
Comprehension	MCQ

ಜಪಾನ್‌ನಲ್ಲಿನ ದನಗಳಲ್ಲಿನ ಇಟಾಯ್-ಇಟಾಯ್ ರೋಗಕ್ಕೆ ಕಾರಣವಾಗಿರುವುದು ಇದರ ಭಕ್ಷಣೆಯಿಂದ-

- ಕ್ಯಾಡ್ಮಿಯಂನಿಂದ ಕಲುಷಿತವಾದ ಅಕ್ಕಿ
- ಕ್ಯಾಡ್ಮಿಯಂನಿಂದ ಕಲುಷಿತವಾದ ನೀರು
- ಕಲುಷಿತಗೊಂಡ ಮೀನು
- ಕಲುಷಿತಗೊಂಡ ಬೆಳೆಕಾಳುಗಳು

ಈ ಕೆಳಗಿನ ಆಯ್ಕೆಗಳಿಂದ ಸರಿಯಾದ ಉತ್ತರವನ್ನು ಆರಿಸಿ:

1. A ಮತ್ತು B ಮಾತ್ರ
2. B ಮತ್ತು C ಮಾತ್ರ
3. C ಮತ್ತು D ಮಾತ್ರ
4. A ಮತ್ತು D ಮಾತ್ರ

Options :

485584136933. 1
485584136934. 2
485584136935. 3
485584136936. 4

Question Number : 80 Question Id : 48558434235 Question Type : MCQ Option Shuffling : No Is Question Mandatory : No Calculator : None Response Time : N.A Think Time : N.A Minimum Instruction Time : 0

Correct Marks : 5 Wrong Marks : 1

Question Key Details :

Key	Value
Comprehension	MCQ

\_\_\_\_\_ is characterised by less prominent cheek bones and absence of fascial prognathism.

1. Causasoid
2. Negroid
3. Mongoloid
4. Australoid

Options :

485584136937. 1
485584136938. 2
485584136939. 3
485584136940. 4

Question Number : 80 Question Id : 48558434235 Question Type : MCQ Option Shuffling : No Is Question Mandatory : No Calculator : None Response Time : N.A Think Time : N.A Minimum Instruction Time : 0

Correct Marks : 5 Wrong Marks : 1

Question Key Details :

Key	Value
Comprehension	MCQ

\_\_\_\_\_ ಇದು ಕಡಿಮೆ ಗಮನಾರ್ಹ ಕೆನ್ನೆ ಮೂಳೆಗಳು ಮತ್ತು ಮುಖ ಮಂಡಲದ ಮೂಲೆಚಾಚಿಕೆಯಿಂದ ಗುಣಲಕ್ಷಣೀಕರಿಸಲ್ಪಟ್ಟಿದೆ.

1. ಕಾಸಸಾಯ್ಡ್
2. ನೀಗ್ರಾಯ್ಡ್
3. ಮಂಗೋಲಾಯ್ಡ್
4. ಆಸ್ಟ್ರಲಾಯ್ಡ್

Options :

485584136937. 1  
485584136938. 2  
485584136939. 3  
485584136940. 4

Question Number : 81 Question Id : 48558434236 Question Type : MCQ Option Shuffling : No Is Question Mandatory : No Calculator : None Response Time : N.A Think Time : N.A Minimum Instruction Time : 0

Correct Marks : 5 Wrong Marks : 1

Question Key Details :

Key	Value
Comprehension	MCQ

A family which one sets up after one's marriage is called as.

1. Family of orientation
2. Family of origin
3. Family of procreation
4. Family of happiness

Options :

485584136941. 1  
485584136942. 2  
485584136943. 3  
485584136944. 4

Question Number : 81 Question Id : 48558434236 Question Type : MCQ Option Shuffling : No Is Question Mandatory : No Calculator : None Response Time : N.A Think Time : N.A Minimum Instruction Time : 0

Correct Marks : 5 Wrong Marks : 1

Question Key Details :

Key	Value
Comprehension	MCQ

ಓರ್ವನ ವಿವಾಹದ ನಂತರ ಓರ್ವ ವ್ಯವಸ್ಥಾಪನಗೊಳಿಸುವ ಕುಟುಂಬವನ್ನು ಏನೆಂದು ಕರೆಯುತ್ತಾರೆಂದರೆ,

1. ನಿವಾಸ ಜ್ಞಾನಾತ್ಮಕ ಕುಟುಂಬ
2. ಉಗಮ ಸ್ಥಾನಾತ್ಮಕ ಕುಟುಂಬ
3. ಸಂತಾನೋತ್ಪಾದಕ ಕುಟುಂಬ
4. ಉಲ್ಲಾಸಾತ್ಮಕ ಕುಟುಂಬ

**Options :**

485584136941. 1  
485584136942. 2  
485584136943. 3  
485584136944. 4

**Question Number : 82 Question Id : 48558434237 Question Type : MCQ Option Shuffling : No Is Question Mandatory : No Calculator : None Response Time : N.A Think Time : N.A Minimum Instruction Time : 0**

**Correct Marks : 5 Wrong Marks : 1**

**Question Key Details :**

Key	Value
Comprehension	MCQ

\_\_\_\_\_ is one form of unilineal descent, where males trace ancestry through males and females through females.

1. Double unilineal descent
2. Ambilineal descent
3. Parallel descent
4. Double descent

**Options :**

485584136945. 1  
485584136946. 2  
485584136947. 3  
485584136948. 4

**Question Number : 82 Question Id : 48558434237 Question Type : MCQ Option Shuffling : No Is Question Mandatory : No Calculator : None Response Time : N.A Think Time : N.A Minimum Instruction Time : 0**

**Correct Marks : 5 Wrong Marks : 1**

**Question Key Details :**

Key	Value
Comprehension	MCQ

\_\_\_\_\_ ಎಂಬುದು ಒಂದು ರೀತಿಯ ಏಕನೇರ ಪರಂಪರೆಯ ಅವತರಣವಾಗಿದ್ದು, ಅಲ್ಲಿ ಗಂಡುಗಳು ತಮ್ಮ ಪೂರ್ವೇತಿಹಾಸವನ್ನು ಗಂಡುಗಳ ಮೂಲಕವೂ ಹೆಣ್ಣುಗಳು ತಮ್ಮ ಪೂರ್ವೇತಿಹಾಸವನ್ನು ಹೆಣ್ಣುಗಳ ಮೂಲಕ ಕುರುಹನ್ನು ಹುಡುಕುತ್ತಾರೆ.

1. ದ್ವಿ-ಏಕ ನೇರ ಪರಂಪರೆ ಅವತರಣ
2. ಇಬ್ಬದಿ ನೇರ ಪರಂಪರೆ ಅವತರಣ
3. ಸಮನಾಂತರ ಅವತರಣ
4. ದ್ವಿ ಅವತರಣ

**Options :**

485584136945. 1  
485584136946. 2  
485584136947. 3  
485584136948. 4

**Question Number : 83 Question Id : 48558434238 Question Type : MCQ Option Shuffling : No Is Question Mandatory : No Calculator : None Response Time : N.A Think Time : N.A Minimum Instruction Time : 0**

**Correct Marks : 5 Wrong Marks : 1**

**Question Key Details :**

Key	Value
Comprehension	MCQ

The type of family found among Gonds and Baigas is called as:

1. Polyandrous family
2. Fraternal family
3. Non-Fraternal family
4. Polygynous family

**Options :**

485584136949. 1  
485584136950. 2  
485584136951. 3  
485584136952. 4

**Question Number : 83 Question Id : 48558434238 Question Type : MCQ Option Shuffling : No Is Question Mandatory : No Calculator : None Response Time : N.A Think Time : N.A Minimum Instruction Time : 0**

**Correct Marks : 5 Wrong Marks : 1**

**Question Key Details :**

Key	Value
Comprehension	MCQ

ಗೊಂಡರಲ್ಲಿ ಮತ್ತು ಬೈಗಾಸಿಗಳಲ್ಲಿ ಕಂಡುಬರುವ ಕುಟುಂಬದ ವಿಧವನ್ನು ಏನೆಂದು ಕರೆಯುತ್ತಾರೆ?

1. ಬಹುಪತ್ನಿತ್ವ ಕುಟುಂಬ
2. ಭ್ರಾತೃಭಾವ ಕುಟುಂಬ
3. ಭ್ರಾತೃಭಾವರಹಿತ ಕುಟುಂಬ
4. ಬಹುಪತ್ನಿತ್ವ ಕುಟುಂಬ

**Options :**

485584136949. 1  
485584136950. 2  
485584136951. 3  
485584136952. 4

**Question Number : 84 Question Id : 48558434239 Question Type : MCQ Option Shuffling : No Is Question Mandatory : No Calculator : None Response Time : N.A Think Time : N.A Minimum Instruction Time : 0**

**Correct Marks : 5 Wrong Marks : 1**

**Question Key Details :**

Key	Value
Comprehension	MCQ

Which of the following are not the features of family?

- A. It is an economic unit
- B. It is a secondary social group
- C. It is unlimited in size
- D. It is a socializing unit
- E. It is a social unit

Choose the correct answer from the options given below:

1. B and C only
2. C and D only
3. B and D only
4. D and E only

**Options :**

485584136953. 1  
485584136954. 2  
485584136955. 3  
485584136956. 4

**Question Number : 84 Question Id : 48558434239 Question Type : MCQ Option Shuffling : No Is Question Mandatory : No Calculator : None Response Time : N.A Think Time : N.A Minimum Instruction Time : 0**

**Correct Marks : 5 Wrong Marks : 1**

**Question Key Details :**

Key	Value
Comprehension	MCQ

ಈ ಕೆಳಗಿನವುಗಳಲ್ಲಿ ಯಾವುದು ಕುಟುಂಬದ ಗುಣಲಕ್ಷಣವಲ್ಲ?

- A. ಇದೊಂದು ಆರ್ಥಿಕ ಘಟಕವಾಗಿದೆ.
- B. ಇದೊಂದು ದ್ವಿತೀಯಕ ಸಾಮಾಜಿಕ ಗುಂಪು ಆಗಿದೆ.
- C. ಇದು ಗಾತ್ರದಲ್ಲಿ ಅನಿಯಮಿತವಾಗಿರುತ್ತದೆ.
- D. ಇದೊಂದು ಸಾಮಾಜಿಕೀಕರಣ ಘಟಕವಾಗಿದೆ.
- E. ಇದೊಂದು ಸಾಮಾಜಿಕ ಘಟಕವಾಗಿದೆ.

ಈ ಕೆಳಗಿನ ಆಯ್ಕೆಗಳಿಂದ ಸರಿಯಾದ ಉತ್ತರವನ್ನು ಆರಿಸಿ:

- 1. B ಮತ್ತು C ಮಾತ್ರ
- 2. C ಮತ್ತು D ಮಾತ್ರ
- 3. B ಮತ್ತು D ಮಾತ್ರ
- 4. D ಮತ್ತು E ಮಾತ್ರ

**Options :**

- 485584136953. 1
- 485584136954. 2
- 485584136955. 3
- 485584136956. 4

**Question Number : 85 Question Id : 48558434240 Question Type : MCQ Option Shuffling : No Is Question Mandatory : No Calculator : None Response Time : N.A Think Time : N.A Minimum Instruction Time : 0**

**Correct Marks : 5 Wrong Marks : 1**

**Question Key Details :**

Key	Value
Comprehension	MCQ

Match List I with List II

LIST I		LIST II	
A.	Matrilineal	I.	Agnatic
B.	Matrilocal	II.	Uxorilocal
C.	Patrilineal	III.	Virilocal
D.	Patrilocal	IV.	Uterine

Choose the correct answer from the options given below:

- 1. A-IV, B-III, C-II, D-I
- 2. A-I, B-II, C-III, D-IV
- 3. A-IV, B-II, C-I, D-III
- 4. A-I, B-IV, C-III, D-II

**Options :**

- 485584136957. 1
- 485584136958. 2
- 485584136959. 3

485584136960. 4

Question Number : 85 Question Id : 48558434240 Question Type : MCQ Option Shuffling : No Is Question Mandatory : No Calculator : None Response Time : N.A Think Time : N.A Minimum Instruction Time : 0

Correct Marks : 5 Wrong Marks : 1

Question Key Details :

Key	Value
Comprehension	MCQ

ಪಟ್ಟಿ - I ಅನ್ನು ಪಟ್ಟಿ - II ರ ಜೊತೆ ಹೊಂದಿಸಿ:

ಪಟ್ಟಿ - I		ಪಟ್ಟಿ - II	
A.	ಮಾತೃ ಸಂತತಿಯ	I.	ಅಗ್ನಾಟಿಕ್
B.	ಪತ್ನೀ ಕುಟುಂಬಕ	II.	ಅಕ್ಸೂರಿಲೋಕಲ್
C.	ಪಿತೃ ಸಂತತಿಯ	III.	ವಿರಿಲೋಕಲ್
D.	ಪತಿ ಕುಟುಂಬಕ	IV.	ಯೂಟಿರೈನ್

ಈ ಕೆಳಗಿನ ಆಯ್ಕೆಗಳಿಂದ ಸರಿಯಾದ ಉತ್ತರವನ್ನು ಆರಿಸಿ:

1. A-IV, B-III, C-II, D-I
2. A-I, B-II, C-III, D-IV
3. A-IV, B-II, C-I, D-III
4. A-I, B-IV, C-III, D-II

Options :

485584136957. 1  
485584136958. 2  
485584136959. 3  
485584136960. 4

Question Number : 86 Question Id : 48558434241 Question Type : MCQ Option Shuffling : No Is Question Mandatory : No Calculator : None Response Time : N.A Think Time : N.A Minimum Instruction Time : 0

Correct Marks : 5 Wrong Marks : 1

Question Key Details :

Key	Value
Comprehension	MCQ

Who is revered as the Father of Ecology in India?

1. Kailash Satyarthi
2. Prof. W.H Pearsall
3. K.K. Misra
4. Ramdeo Misra

Options :

485584136961. 1  
485584136962. 2  
485584136963. 3

485584136964. 4

**Question Number : 86 Question Id : 48558434241 Question Type : MCQ Option Shuffling : No Is Question Mandatory : No Calculator : None Response Time : N.A Think Time : N.A Minimum Instruction Time : 0**

**Correct Marks : 5 Wrong Marks : 1**

**Question Key Details :**

Key	Value
Comprehension	MCQ

ಭಾರತದಲ್ಲಿ ಯಾರನ್ನು 'ಪರಿಸರ ಶಾಸ್ತ್ರದ ಪಿತಾಮಹ' ಎಂದು ಗೌರವಿಸಲಾಗುತ್ತದೆ?

1. ಕೈಲಾಸ್ ಸತ್ಯಾರ್ಥಿ
2. ಪ್ರೊಫೆಸರ್ ಡಬ್ಲ್ಯು.ಎಚ್. ಪಿಯರ್ಸನ್
3. ಕೆ.ಕೆ. ಮಿಶ್ರ
4. ರಾಮದೇವ್ ಮಿಶ್ರ

**Options :**

485584136961. 1  
485584136962. 2  
485584136963. 3  
485584136964. 4

**Question Number : 87 Question Id : 48558434242 Question Type : MCQ Option Shuffling : No Is Question Mandatory : No Calculator : None Response Time : N.A Think Time : N.A Minimum Instruction Time : 0**

**Correct Marks : 5 Wrong Marks : 1**

**Question Key Details :**

Key	Value
Comprehension	MCQ

The percentage of oxygen in the atmosphere is \_\_\_\_\_.

1. 78.09%
2. 20.94%
3. 0.03%
4. 0.93%

**Options :**

485584136965. 1  
485584136966. 2  
485584136967. 3  
485584136968. 4

**Question Number : 87 Question Id : 48558434242 Question Type : MCQ Option Shuffling : No Is Question Mandatory : No Calculator : None Response Time : N.A Think Time : N.A Minimum Instruction Time : 0**

**Correct Marks : 5 Wrong Marks : 1**

**Question Key Details :**

Key	Value
-----	-------



Comprehension	MCQ
---------------	-----

ವಾತಾವರಣದಲ್ಲಿನ ಆಮ್ಲಜನಕದ ಪ್ರತಿಶತವು \_\_\_\_\_.

1. 78.09%
2. 20.94%
3. 0.03%
4. 0.93%

**Options :**

485584136965. 1  
485584136966. 2  
485584136967. 3  
485584136968. 4

**Question Number : 88 Question Id : 48558434243 Question Type : MCQ Option Shuffling : No Is Question Mandatory : No Calculator : None Response Time : N.A Think Time : N.A Minimum Instruction Time : 0**

**Correct Marks : 5 Wrong Marks : 1**

**Question Key Details :**

Key	Value
Comprehension	MCQ

Which one of the following is an example of an aquatic ecosystem?

1. Forest ecosystem
2. Desert ecosystem
3. Pond ecosystem
4. Grassland ecosystem

**Options :**

485584136969. 1  
485584136970. 2  
485584136971. 3  
485584136972. 4

**Question Number : 88 Question Id : 48558434243 Question Type : MCQ Option Shuffling : No Is Question Mandatory : No Calculator : None Response Time : N.A Think Time : N.A Minimum Instruction Time : 0**

**Correct Marks : 5 Wrong Marks : 1**

**Question Key Details :**

Key	Value
Comprehension	MCQ

ಈ ಕೆಳಗಿನವುಗಳಲ್ಲಿ ಯಾವುದು ಜಲೀಯ ಪರಿಸರ ವ್ಯವಸ್ಥೆಗೆ ಉದಾಹರಣೆಯಾಗಿದೆ?

1. ಅರಣ್ಯ ಪರಿಸರ ವ್ಯವಸ್ಥೆ
2. ಮರುಭೂಮಿ ಪರಿಸರ ವ್ಯವಸ್ಥೆ
3. ಕೊಳ ಪರಿಸರ ವ್ಯವಸ್ಥೆ
4. ಹುಲ್ಲುಗಾವಲು ಪರಿಸರ ವ್ಯವಸ್ಥೆ

**Options :**

485584136969. 1  
485584136970. 2  
485584136971. 3  
485584136972. 4

**Question Number : 89 Question Id : 48558434244 Question Type : MCQ Option Shuffling : No Is Question Mandatory : No Calculator : None Response Time : N.A Think Time : N.A Minimum Instruction Time : 0**

**Correct Marks : 5 Wrong Marks : 1**

**Question Key Details :**

Key	Value
Comprehension	MCQ

Arrange the following in an order.

- A. Secondary consumer
- B. Detritus
- C. Primary consumer
- D. Primary producer
- E. Tertiary consumer

Choose the correct answer from the options given below:

1. D, A, B, C, E
2. B, C, A, D, E
3. A, E, C, D, B
4. D, C, A, E, B

**Options :**

485584136973. 1  
485584136974. 2  
485584136975. 3  
485584136976. 4

**Question Number : 89 Question Id : 48558434244 Question Type : MCQ Option Shuffling : No Is Question Mandatory : No Calculator : None Response Time : N.A Think Time : N.A Minimum Instruction Time : 0**

**Correct Marks : 5 Wrong Marks : 1**

**Question Key Details :**

Key	Value
Comprehension	MCQ

ಈ ಕೆಳಗಿನವುಗಳನ್ನು ಒಂದು ಅನುಕ್ರಮವಾಗಿರಿಸಿ.

- A. ದ್ವಿತೀಯಕ ಬಳಕೆದಾರ
- B. ಕೊಳೆತಿನಿ
- C. ಪ್ರಾಥಮಿಕ ಬಳಕೆದಾರ
- D. ಪ್ರಾಥಮಿಕ ಉತ್ಪಾದಕ
- E. ತೃತೀಯಕ ಬಳಕೆದಾರ

ಈ ಕೆಳಗಿನ ಆಯ್ಕೆಗಳಿಂದ ಸರಿಯಾದ ಉತ್ತರವನ್ನು ಆರಿಸಿ:

- 1. D, A, B, C, E
- 2. B, C, A, D, E
- 3. A, E, C, D, B
- 4. D, C, A, E, B

**Options :**

- 485584136973. 1
- 485584136974. 2
- 485584136975. 3
- 485584136976. 4

**Question Number : 90 Question Id : 48558434245 Question Type : MCQ Option Shuffling : No Is Question Mandatory : No Calculator : None Response Time : N.A Think Time : N.A Minimum Instruction Time : 0 Correct Marks : 5 Wrong Marks : 1 Question Key Details :**

Key	Value
Comprehension	MCQ

The smallest microscopic organism that are found on the surface of water bodies like pond, lake etc are known as:

- 1. Nektons
- 2. Phytoplankton
- 3. Floating plants
- 4. Terrestrial plants

**Options :**

- 485584136977. 1
- 485584136978. 2
- 485584136979. 3
- 485584136980. 4

**Question Number : 90 Question Id : 48558434245 Question Type : MCQ Option Shuffling : No Is Question Mandatory : No Calculator : None Response Time : N.A Think Time : N.A Minimum Instruction Time : 0 Correct Marks : 5 Wrong Marks : 1 Question Key Details :**

Key	Value
-----	-------

ಕೊಳ, ಸರೋವರ ಇತ್ಯಾದಿ ಜಲಕಾಯಗಳ ನೀರಿನ ಮೇಲ್ಭಾಗದಲ್ಲಿ ಕಂಡುಬರುವ ಅತಿ ಸಣ್ಣ ಸೂಕ್ಷ್ಮ ಜೀವಿಗಳನ್ನು ಏನೆಂದು ತಿಳಿಯಲಾಗಿದೆ ಎಂದರೆ,

1. ಸಸ್ಯ ಪ್ಲವಕ
2. ಪ್ರಾಣಿ ಪ್ಲವಕ
3. ತೇಲಾಡುವ ಸಸ್ಯಗಳು
4. ಭೂಸ್ತರಿ ಸಸ್ಯಗಳು

**Options :**

485584136977. 1  
485584136978. 2  
485584136979. 3  
485584136980. 4

**Sub-Section Number :**

2

**Sub-Section Id :**

4855842531

**Question Shuffling Allowed :**

No

**Is Section Default? :**

null

**Question Number : 91 Question Id : 48558434246 Question Type : MCQ Option Shuffling : No Is Question Mandatory : No Calculator : None Response Time : N.A Think Time : N.A Minimum Instruction Time : 0**

**Correct Marks : 5 Wrong Marks : 1****Question Key Details :**

Key	Value
Comprehension	Comp1

The Mismi built their houses on raised platform. A traditional Mismi house is built with materials like bamboo and straw. The walls are constructed with bamboo and the roof is thatched. A typical Mismi house consists of a big hall like room which accommodates all the family members. The area near the entrance acts as a portico and is used to entertain guests. Below the platform the rooms are kept. It also sometimes houses the pigs which they rear. Adjacent to their house they construct cattlesheds and coops for rearing fowls. The fire place is called as meram and is considered as a sacred place.

The walls of the Mising's house is constructed using

1. Mud bricks
2. Bamboo
3. Plywood
4. Bricks with Cement

**Options :**

485584136981. 1  
485584136982. 2  
485584136983. 3  
485584136984. 4

Question Number : 91 Question Id : 48558434246 Question Type : MCQ Option Shuffling : No Is Question Mandatory : No Calculator : None Response Time : N.A Think Time : N.A Minimum Instruction Time : 0  
 Correct Marks : 5 Wrong Marks : 1  
 Question Key Details :

Key	Value
Comprehension	Compl

ಮಿಸಿಂಗ್‌ಗಳು ತಮ್ಮ ಗೃಹಗಳನ್ನು ಎತ್ತರಿಸಿದ ವೇದಿಕೆಯ ಮೇಲೆ ನಿರ್ಮಿಸುತ್ತಿದ್ದರೂ ಒಂದು ಸಾಂಪ್ರದಾಯಿಕ ಮಿಸಿಂಗ್‌ಗಳ ಗೃಹವು ಬಿದಿರು ಮತ್ತು ಒಣಹುಲ್ಲಿನಂತಹ ವಸ್ತುಗಳಿಂದ ನಿರ್ಮಿಸಲ್ಪಡುತ್ತಿತ್ತು. ಗೋಡೆಗಳನ್ನು ಬಿದಿರಿನಿಂದ ನಿರ್ಮಿಸಿದ್ದು, ಹಾಗೂ ಮೇಲ್ಮಾವಣಿಯನ್ನು ಹುಲ್ಲು ಹೊದಿಕೆಯಿಂದ ಮಾಡಲಾಗುತ್ತಿತ್ತು. ಮಿಸಿಂಗ್‌ಗಳ ಒಂದು ಮಾದರಿ ಗೃಹವು ಕುಟುಂಬದ ಎಲ್ಲ ಸದಸ್ಯರು ವಾಸಿಸಬಹುದಾದ ಬೃಹತ್ ಕೋಣೆ (ಹಾಲ್) ಹೊಂದಿರುತ್ತಿತ್ತು. ಪ್ರವೇಶದ್ವಾರದ ಹತ್ತಿರದ ಪ್ರದೇಶವು ಪ್ರೋಟೀಕೋದಂತಿದ್ದು, ಅತಿಥಿಗಳನ್ನು ಉಪಚರಿಸಲು ಬಳಸಲಾಗುತ್ತಿತ್ತು. ವೇದಿಕೆಯ ಕೆಳಭಾಗದಲ್ಲಿ ಕೊಠಡಿಗಳಿರುತ್ತಿದ್ದವು. ಇವು ಕೆಲವೊಮ್ಮೆ ಹಂದಿಗಳನ್ನಿರಿಸಲು ಬಳಸಲಾಗುತ್ತಿದ್ದು, ಅಲ್ಲಿ ಹಂದಿಗಳ ಪಾಲನೆಯಾಗುತ್ತಿತ್ತು. ಇದರ ಒಂದು ಬದಿಯಲ್ಲಿ ಹಸುಗಳ ಕೊಟ್ಟಿಗೆಯನ್ನು ನಿರ್ಮಿಸಿದ್ದು, ಮತ್ತು ಕೋಳಿಗಳನ್ನು ಹಿಡಿದಿಡಲು ಕುಕ್ಕೆಯನ್ನಿರಿಸಲಾಗುತ್ತಿತ್ತು. ಬೆಂಕಿ ಹಾಕುವ ಸ್ಥಳವನ್ನು ಮೀರಮ್ ಎಂದು ಕರೆಯಲಾಗುತ್ತಿತ್ತು ಹಾಗೂ ಇದನ್ನು ಪವಿತ್ರ ಸ್ಥಳ ಎಂದು ಪರಿಗಣಿಸಲಾಗುತ್ತಿತ್ತು.

ಮಿಸಿಂಗ್‌ಗಳ ಗೃಹದ ಗೋಡೆಗಳು ಇದನ್ನು ಉಪಯೋಗಿಸಿ ನಿರ್ಮಾಣಗೊಳ್ಳುತ್ತಿದ್ದವು:

1. ಮಣ್ಣಿನ ಇಟ್ಟಿಗೆಗಳು
2. ಪ್ಲೈವುಡ್
3. ಬಿದಿರು
4. ಸಿಮೆಂಟಿನ ಜೊತೆಗೆ ಇಟ್ಟಿಗೆಗಳು

Options :

485584136981. 1  
 485584136982. 2  
 485584136983. 3  
 485584136984. 4

Question Number : 92 Question Id : 48558434247 Question Type : MCQ Option Shuffling : No Is Question Mandatory : No Calculator : None Response Time : N.A Think Time : N.A Minimum Instruction Time : 0  
 Correct Marks : 5 Wrong Marks : 1  
 Question Key Details :

Key	Value
Comprehension	Compl

The Mismi built their houses on raised platform. A traditional Mismi house is built with materials like bamboo and straw. The walls are constructed with bamboo and the roof is thatched. A typical Mismi house consists of a big hall like room which accommodates all the family members. The area near the entrance acts as a portico and is used to entertain guests. Below the platform the rooms are kept. It also sometimes houses the pigs which they rear. Adjacent to their house they construct cattlesheds and coops for reaching fowls. The fire place is called as meram and is considered as a sacred place.

A traditional Mising house is built with materials like.

1. Bamboo and tree leaves
2. Straw and tree leaves
3. Straw and Bamboo
4. Tree leaves and grass

**Options :**

485584136985. 1  
485584136986. 2  
485584136987. 3  
485584136988. 4

**Question Number : 92 Question Id : 48558434247 Question Type : MCQ Option Shuffling : No Is Question Mandatory : No Calculator : None Response Time : N.A Think Time : N.A Minimum Instruction Time : 0**

**Correct Marks : 5 Wrong Marks : 1**

**Question Key Details :**

Key	Value
Comprehension	Compl

ಮಿಸಿಂಗ್‌ಗಳು ತಮ್ಮ ಗೃಹಗಳನ್ನು ಎತ್ತರಿಸಿದ ವೇದಿಕೆಯ ಮೇಲೆ ನಿರ್ಮಿಸುತ್ತಿದ್ದರೂ ಒಂದು ಸಾಂಪ್ರದಾಯಿಕ ಮಿಸಿಂಗ್‌ಗಳ ಗೃಹವು ಬಿದಿರು ಮತ್ತು ಒಣಹುಲ್ಲಿನಂತಹ ವಸ್ತುಗಳಿಂದ ನಿರ್ಮಿಸಲ್ಪಡುತ್ತಿತ್ತು. ಗೋಡೆಗಳನ್ನು ಬಿದಿರಿನಿಂದ ನಿರ್ಮಿಸಿದ್ದು, ಹಾಗೂ ಮೇಲ್ಭಾಗವನ್ನು ಹುಲ್ಲು ಹೊದಿಕೆಯಿಂದ ಮಾಡಲಾಗುತ್ತಿತ್ತು. ಮಿಸಿಂಗ್‌ಗಳ ಒಂದು ಮಾದರಿ ಗೃಹವು ಕುಟುಂಬದ ಎಲ್ಲ ಸದಸ್ಯರು ವಾಸಿಸಬಹುದಾದ ಬೃಹತ್ ಕೋಣೆ (ಹಾಲ್) ಹೊಂದಿರುತ್ತಿತ್ತು. ಪ್ರವೇಶದ್ವಾರದ ಹತ್ತಿರದ ಪ್ರದೇಶವು ಪೋರ್ಟಿಕೋದಂತಿದ್ದು, ಅತಿಥಿಗಳನ್ನು ಉಪಚರಿಸಲು ಬಳಸಲಾಗುತ್ತಿತ್ತು. ವೇದಿಕೆಯ ಕೆಳಭಾಗದಲ್ಲಿ ಕೊಠಡಿಗಳಿರುತ್ತಿದ್ದವು. ಇವು ಕೆಲವೊಮ್ಮೆ ಹಂದಿಗಳನ್ನಿರಿಸಲು ಬಳಸಲಾಗುತ್ತಿದ್ದು, ಅಲ್ಲಿ ಹಂದಿಗಳ ಪಾಲನೆಯಾಗುತ್ತಿತ್ತು. ಇದರ ಒಂದು ಬದಿಯಲ್ಲಿ ಹಸುಗಳ ಕೊಟ್ಟಿಗೆಯನ್ನು ನಿರ್ಮಿಸಿದ್ದು, ಮತ್ತು ಕೋಳಿಗಳನ್ನು ಹಿಡಿದಿಡಲು ಕುಕ್ಕೆಯನ್ನಿರಿಸಲಾಗುತ್ತಿತ್ತು. ಬೆಂಕಿ ಹಾಕುವ ಸ್ಥಳವನ್ನು ಮೀರಮ್ ಎಂದು ಕರೆಯಲಾಗುತ್ತಿತ್ತು ಹಾಗೂ ಇದನ್ನು ಪವಿತ್ರ ಸ್ಥಳ ಎಂದು ಪರಿಗಣಿಸಲಾಗುತ್ತಿತ್ತು.

ಒಂದು ಸಾಂಪ್ರದಾಯಿಕ ಮಿಸಿಂಗ್ ಗೃಹವು ಈ ರೀತಿಯ ವಸ್ತುಗಳನ್ನು ಉಪಯೋಗಿಸಿ ನಿರ್ಮಿಸಲಾಗಿತ್ತು.

1. ಬಿದಿರು ಮತ್ತು ಮರದ ಎಲೆಗಳು
2. ಒಣಹುಲ್ಲು ಮತ್ತು ಮರದ ಎಲೆಗಳು
3. ಒಣಹುಲ್ಲು ಮತ್ತು ಬಿದಿರು
4. ಮರದ ಎಲೆಗಳು ಮತ್ತು ಹಸಿ ಹುಲ್ಲು

**Options :**

485584136985. 1  
485584136986. 2  
485584136987. 3  
485584136988. 4

Question Number : 93 Question Id : 48558434248 Question Type : MCQ Option Shuffling : No Is Question Mandatory : No Calculator : None Response Time : N.A Think Time : N.A Minimum Instruction Time : 0

Correct Marks : 5 Wrong Marks : 1

Question Key Details :

Key	Value
Comprehension	Comp1

The Mismi built their houses on raised platform. A traditional Mismi house is built with materials like bamboo and straw. The walls are constructed with bamboo and the roof is thatched. A typical Mismi house consists of a big hall like room which accommodates all the family members. The area near the entrance acts as a portico and is used to entertain guests. Below the platform the rooms are kept. It also sometimes houses the pigs which they rear. Adjacent to their house they construct cattlesheds and coops for reaching fowls. The fire place is called as meram and is considered as a sacred place.

\_\_\_\_\_ is a place called as meram and is considered as a sacred place in Misings.

1. Big hall
2. Fire place
3. Temple outside village
4. Mosque

Options :

485584136989. 1  
485584136990. 2  
485584136991. 3  
485584136992. 4

Question Number : 93 Question Id : 48558434248 Question Type : MCQ Option Shuffling : No Is Question Mandatory : No Calculator : None Response Time : N.A Think Time : N.A Minimum Instruction Time : 0

Correct Marks : 5 Wrong Marks : 1

Question Key Details :

Key	Value
Comprehension	Comp1

ಮಿಸಿಂಗ್‌ಗಳು ತಮ್ಮ ಗೃಹಗಳನ್ನು ಎತ್ತರಿಸಿದ ವೇದಿಕೆಯ ಮೇಲೆ ನಿರ್ಮಿಸುತ್ತಿದ್ದರೂ ಒಂದು ಸಾಂಪ್ರದಾಯಿಕ ಮಿಸಿಂಗ್‌ಗಳ ಗೃಹವು ಬಿದಿರು ಮತ್ತು ಒಣಹುಲ್ಲಿನಂತಹ ವಸ್ತುಗಳಿಂದ ನಿರ್ಮಿಸಲ್ಪಡುತ್ತಿತ್ತು. ಗೋಡೆಗಳನ್ನು ಬಿದಿರಿನಿಂದ ನಿರ್ಮಿಸಿದ್ದು, ಹಾಗೂ ಮೇಲ್ಭಾಗವನ್ನು ಹುಲ್ಲು ಹೊದಿಕೆಯಿಂದ ಮಾಡಲಾಗುತ್ತಿತ್ತು. ಮಿಸಿಂಗ್‌ಗಳ ಒಂದು ಮಾದರಿ ಗೃಹವು ಕುಟುಂಬದ ಎಲ್ಲ ಸದಸ್ಯರು ವಾಸಿಸಬಹುದಾದ ಬೃಹತ್ ಕೋಣೆ (ಹಾಲ್) ಹೊಂದಿರುತ್ತಿತ್ತು. ಪ್ರವೇಶದ್ವಾರದ ಹತ್ತಿರದ ಪ್ರದೇಶವು ಪ್ರೋಟೀಕೋದಂತಿದ್ದು, ಅತಿಥಿಗಳನ್ನು ಉಪಚರಿಸಲು ಬಳಸಲಾಗುತ್ತಿತ್ತು. ವೇದಿಕೆಯ ಕೆಳಭಾಗದಲ್ಲಿ ಕೊಠಡಿಗಳಿರುತ್ತಿದ್ದವು. ಇವು ಕೆಲವೊಮ್ಮೆ ಹಂದಿಗಳನ್ನಿರಿಸಲು ಬಳಸಲಾಗುತ್ತಿದ್ದು, ಅಲ್ಲಿ ಹಂದಿಗಳ ಪಾಲನೆಯಾಗುತ್ತಿತ್ತು. ಇದರ ಒಂದು ಬದಿಯಲ್ಲಿ ಹಸುಗಳ ಕೊಟ್ಟಿಗೆಯನ್ನು ನಿರ್ಮಿಸಿದ್ದು, ಮತ್ತು ಕೋಳಿಗಳನ್ನು ಹಿಡಿದಿಡಲು ಕುಕ್ಕೆಯನ್ನಿರಿಸಲಾಗುತ್ತಿತ್ತು. ಬೆಂಕಿ ಹಾಕುವ ಸ್ಥಳವನ್ನು ಮೀರಮ್ ಎಂದು ಕರೆಯಲಾಗುತ್ತಿತ್ತು ಹಾಗೂ ಇದನ್ನು ಪವಿತ್ರ ಸ್ಥಳ ಎಂದು ಪರಿಗಣಿಸಲಾಗುತ್ತಿತ್ತು.

\_\_\_\_\_ ಎಂಬ ಜಾಗವನ್ನು ಮೀರಮ್ ಎಂದು ಕರೆಯಲಾಗಿದ್ದು ಹಾಗೂ ಅದು ಮಿಸಿಂಗ್‌ಗಳಲ್ಲಿ ಪವಿತ್ರ ಸ್ಥಳ ಎಂದು ಕರೆಯಲಾಗಿತ್ತು.

1. ದೊಡ್ಡ ಕೋಣೆ
2. ಅಗ್ನಿ ಸ್ಥಳ
3. ಹಳ್ಳಿಯಿಂದ ಹೊರಗಿರುವ ದೇವಸ್ಥಾನ
4. ಮಸೀದಿ

**Options :**

485584136989. 1  
485584136990. 2  
485584136991. 3  
485584136992. 4

**Question Number : 94 Question Id : 48558434249 Question Type : MCQ Option Shuffling : No Is Question Mandatory : No Calculator : None Response Time : N.A Think Time : N.A Minimum Instruction Time : 0**

**Correct Marks : 5 Wrong Marks : 1**

**Question Key Details :**

Key	Value
Comprehension	Compl

The Mismi built their houses on raised platform. A traditional Mismi house is built with materials like bamboo and straw. The walls are constructed with bamboo and the roof is thatched. A typical Mismi house consists of a big hall like room which accommodates all the family members. The area near the entrance acts as a portico and is used to entertain guests. Below the platform the rooms are kept. It also sometimes houses the pigs which they rear. Adjacent to their house they construct cattlesheds and coops for rearing fowls. The fire place is called as meram and is considered as a sacred place.

A big hall in a typical Misings house accomodates.

1. All the relatives of family
2. All the village members
3. All the Saints and Seers of family
4. All the family members

**Options :**

485584136993. 1  
485584136994. 2  
485584136995. 3  
485584136996. 4

**Question Number : 94 Question Id : 48558434249 Question Type : MCQ Option Shuffling : No Is Question Mandatory : No Calculator : None Response Time : N.A Think Time : N.A Minimum Instruction Time : 0**

**Correct Marks : 5 Wrong Marks : 1**

**Question Key Details :**



Key	Value
Comprehension	Compl

ಮಿಸಿಂಗ್‌ಗಳು ತಮ್ಮ ಗೃಹಗಳನ್ನು ಎತ್ತರಿಸಿದ ವೇದಿಕೆಯ ಮೇಲೆ ನಿರ್ಮಿಸುತ್ತಿದ್ದರೂ ಒಂದು ಸಾಂಪ್ರದಾಯಿಕ ಮಿಸಿಂಗ್‌ಗಳ ಗೃಹವು ಬಿದಿರು ಮತ್ತು ಒಣಹುಲ್ಲಿನಂತಹ ವಸ್ತುಗಳಿಂದ ನಿರ್ಮಿಸಲ್ಪಡುತ್ತಿತ್ತು. ಗೋಡೆಗಳನ್ನು ಬಿದಿರಿನಿಂದ ನಿರ್ಮಿಸಿದ್ದು, ಹಾಗೂ ಮೇಲ್ಮಾವಣಿಯನ್ನು ಹುಲ್ಲು ಹೊದಿಕೆಯಿಂದ ಮಾಡಲಾಗುತ್ತಿತ್ತು. ಮಿಸಿಂಗ್‌ಗಳ ಒಂದು ಮಾದರಿ ಗೃಹವು ಕುಟುಂಬದ ಎಲ್ಲ ಸದಸ್ಯರು ವಾಸಿಸಬಹುದಾದ ಬೃಹತ್ ಕೋಣೆ (ಹಾಲ್) ಹೊಂದಿರುತ್ತಿತ್ತು. ಪ್ರವೇಶದ್ವಾರದ ಹತ್ತಿರದ ಪ್ರದೇಶವು ಪ್ರೋಟೆಕ್ಟಿವ್‌ದಂತಿದ್ದು, ಅತಿಥಿಗಳನ್ನು ಉಪಚರಿಸಲು ಬಳಸಲಾಗುತ್ತಿತ್ತು. ವೇದಿಕೆಯ ಕೆಳಭಾಗದಲ್ಲಿ ಕೊಠಡಿಗಳಿರುತ್ತಿದ್ದವು. ಇವು ಕೆಲವೊಮ್ಮೆ ಹಂದಿಗಳನ್ನಿರಿಸಲು ಬಳಸಲಾಗುತ್ತಿದ್ದು, ಅಲ್ಲಿ ಹಂದಿಗಳ ಪಾಲನೆಯಾಗುತ್ತಿತ್ತು. ಇದರ ಒಂದು ಬದಿಯಲ್ಲಿ ಹಸುಗಳ ಕೊಟ್ಟಿಗೆಯನ್ನು ನಿರ್ಮಿಸಿದ್ದು, ಮತ್ತು ಕೋಳಿಗಳನ್ನು ಹಿಡಿದಿಡಲು ಕುಕ್ಕೆಯನ್ನಿರಿಸಲಾಗುತ್ತಿತ್ತು. ಬೆಂಕಿ ಹಾಕುವ ಸ್ಥಳವನ್ನು ಮೀರಮ್ ಎಂದು ಕರೆಯಲಾಗುತ್ತಿತ್ತು ಹಾಗೂ ಇದನ್ನು ಪವಿತ್ರ ಸ್ಥಳ ಎಂದು ಪರಿಗಣಿಸಲಾಗುತ್ತಿತ್ತು.

ಒಂದು ಮಾದರಿ ಮಿಸಿಂಗ್ ಗೃಹದಲ್ಲಿನ ದೊಡ್ಡ ಕೋಣೆಯು ಇವರನ್ನು ನಿವಾಸಿತರನ್ನಾಗಿಸುತ್ತಿತ್ತು:

1. ಕುಟುಂಬದ ಎಲ್ಲ ಸಂಬಂಧಿಗಳನ್ನು
2. ಗ್ರಾಮದ ಎಲ್ಲ ಸದಸ್ಯರನ್ನು
3. ಕುಟುಂಬದ ಎಲ್ಲ ಸನ್ಯಾಸಿಗಳನ್ನು ಮತ್ತು ಸಂತರನ್ನು
4. ಕುಟುಂಬದ ಎಲ್ಲ ಸದಸ್ಯರನ್ನು

**Options :**

485584136993. 1  
485584136994. 2  
485584136995. 3  
485584136996. 4

**Question Number : 95 Question Id : 48558434250 Question Type : MCQ Option Shuffling : No Is Question Mandatory : No Calculator : None Response Time : N.A Think Time : N.A Minimum Instruction Time : 0**

**Correct Marks : 5 Wrong Marks : 1**

**Question Key Details :**

Key	Value
Comprehension	Compl

The Mismi built their houses on raised platform. A traditional Mismi house is built with materials like bamboo and straw. The walls are constructed with bamboo and the roof is thatched. A typical Mismi house consists of a big hall like room which accommodates all the family members. The area near the entrance acts as a portico and is used to entertain guests. Below the platform the rooms are kept. It also sometimes houses the pigs which they rear. Adjacent to their house they construct cattlesheds and coops for rearing fowls. The fire place is called as meram and is considered as a sacred place.

The area near the entrance of 'Mising house act as portico and is used to entertain.

1. Family members
2. Guests
3. Friends and villagers
4. Karta of family

**Options :**

485584136997. 1  
485584136998. 2  
485584136999. 3  
485584137000. 4

**Question Number : 95 Question Id : 48558434250 Question Type : MCQ Option Shuffling : No Is Question Mandatory : No Calculator : None Response Time : N.A Think Time : N.A Minimum Instruction Time : 0**

**Correct Marks : 5 Wrong Marks : 1**

**Question Key Details :**

Key	Value
Comprehension	Compl

ಮಿಸಿಂಗ್‌ಗಳು ತಮ್ಮ ಗೃಹಗಳನ್ನು ಎತ್ತರಿಸಿದ ವೇದಿಕೆಯ ಮೇಲೆ ನಿರ್ಮಿಸುತ್ತಿದ್ದರೂ ಒಂದು ಸಾಂಪ್ರದಾಯಿಕ ಮಿಸಿಂಗ್‌ಗಳ ಗೃಹವು ಬಿದಿರು ಮತ್ತು ಒಣಹುಲ್ಲಿನಂತಹ ವಸ್ತುಗಳಿಂದ ನಿರ್ಮಿಸಲ್ಪಡುತ್ತಿತ್ತು. ಗೋಡೆಗಳನ್ನು ಬಿದಿರಿನಿಂದ ನಿರ್ಮಿಸಿದ್ದು, ಹಾಗೂ ಮೇಲ್ಮಾವಣಿಯನ್ನು ಹುಲ್ಲು ಹೊದಿಕೆಯಿಂದ ಮಾಡಲಾಗುತ್ತಿತ್ತು. ಮಿಸಿಂಗ್‌ಗಳ ಒಂದು ಮಾದರಿ ಗೃಹವು ಕುಟುಂಬದ ಎಲ್ಲ ಸದಸ್ಯರು ವಾಸಿಸಬಹುದಾದ ಬೃಹತ್ ಕೋಣೆ (ಹಾಲ್) ಹೊಂದಿರುತ್ತಿತ್ತು. ಪ್ರವೇಶದ್ವಾರದ ಹತ್ತಿರದ ಪ್ರದೇಶವು ಪೋರ್ಟಿಕೋದಂತಿದ್ದು, ಅತಿಥಿಗಳನ್ನು ಉಪಚರಿಸಲು ಬಳಸಲಾಗುತ್ತಿತ್ತು. ವೇದಿಕೆಯ ಕೆಳಭಾಗದಲ್ಲಿ ಕೊಠಡಿಗಳಿರುತ್ತಿದ್ದವು. ಇವು ಕೆಲವೊಮ್ಮೆ ಹಂದಿಗಳನ್ನಿರಿಸಲು ಬಳಸಲಾಗುತ್ತಿದ್ದು, ಅಲ್ಲಿ ಹಂದಿಗಳ ಪಾಲನೆಯಾಗುತ್ತಿತ್ತು. ಇದರ ಒಂದು ಬದಿಯಲ್ಲಿ ಹಸುಗಳ ಕೊಟ್ಟಿಗೆಯನ್ನು ನಿರ್ಮಿಸಿದ್ದು, ಮತ್ತು ಕೋಳಿಗಳನ್ನು ಹಿಡಿದಿಡಲು ಕುಕ್ಕೆಯನ್ನಿರಿಸಲಾಗುತ್ತಿತ್ತು. ಬೆಂಕಿ ಹಾಕುವ ಸ್ಥಳವನ್ನು ಮೀರಮ್ ಎಂದು ಕರೆಯಲಾಗುತ್ತಿತ್ತು ಹಾಗೂ ಇದನ್ನು ಪವಿತ್ರ ಸ್ಥಳ ಎಂದು ಪರಿಗಣಿಸಲಾಗುತ್ತಿತ್ತು.

ಮಿಸಿಂಗ್‌ಗಳ ಗೃಹದ ಪ್ರವೇಶ ದ್ವಾರದ ಬಳಿಯ ಪ್ರದೇಶವು ಪೋರ್ಟಿಕೋವಾಗಿ ಬಳಕೆ ಆಗುತ್ತಿದ್ದು, ಅದು \_\_\_\_\_ ರನ್ನು ಉಪಚರಿಸಲು ಬಳಸಲಾಗುತ್ತಿತ್ತು.

1. ಕುಟುಂಬದ ಸದಸ್ಯರನ್ನು
2. ಅತಿಥಿಗಳನ್ನು
3. ಸ್ನೇಹಿತರನ್ನು ಮತ್ತು ಗ್ರಾಮವಾಸಿಗಳನ್ನು
4. ಕುಟುಂಬದ ಕರ್ತನನ್ನು

**Options :**

485584136997. 1  
485584136998. 2  
485584136999. 3  
485584137000. 4

**Sub-Section Number :**

Sub-Section Id : 4855842532

Question Shuffling Allowed : No

Is Section Default? : null

Question Number : 96 Question Id : 48558434251 Question Type : MCQ Option Shuffling : No Is Question Mandatory : No Calculator : None Response Time : N.A Think Time : N.A Minimum Instruction Time : 0

Correct Marks : 5 Wrong Marks : 1

Question Key Details :

Key	Value
Comprehension	Comp2

The French established cocoa and coffee plantations in West Africa. The British set up large tea gardens in India and Sri Lanka, rubber plantation in Malaysia, and Sugarcane and banana plantations in West Indies. Spanish and Americans invested heavily in coconut and sugarcane plantations in the Philippines. The Dutch once had monopoly over Sugarcane plantations in Indonesia. Some Coffee Fazendar (large plantation) in Brazil are still managed by Europeans. Today, ownership of the majority of plantations have passed into the hands of the government or the nationals of the countries concerned.

The British set up large \_\_\_\_\_ in India and Sri Lanka.

1. Rubber plantation
2. Sugarcane plantation
3. Banana gardens
4. Tea gardens

Options :

485584137001. 1

485584137002. 2

485584137003. 3

485584137004. 4

Question Number : 96 Question Id : 48558434251 Question Type : MCQ Option Shuffling : No Is Question Mandatory : No Calculator : None Response Time : N.A Think Time : N.A Minimum Instruction Time : 0

Correct Marks : 5 Wrong Marks : 1

Question Key Details :

Key	Value
Comprehension	Comp2

ಪಶ್ಚಿಮ ಆಫ್ರಿಕಾದಲ್ಲಿ ಫ್ರೆಂಚರು ಕೋಕೋ ಮತ್ತು ಕಾಫಿ ಪ್ಲಾಂಟೇಷನ್ ಅನ್ನು ಸ್ಥಾಪಿಸಿದರು. ಬ್ರಿಟಿಷರು ಭಾರತದಲ್ಲಿ ಮತ್ತು ಶ್ರೀಲಂಕಾದಲ್ಲಿ ಬೃಹತ್ ಚಹಾ ತೋಟಗಳನ್ನು, ಮಲೇಷಿಯಾದಲ್ಲಿ ರಬ್ಬರ್ ತೋಟಗಳನ್ನು ಮತ್ತು ವೆಸ್ಟ್ ಇಂಡೀಸ್‌ನಲ್ಲಿ ಕಬ್ಬಿನ ಮತ್ತು ಬಾಳೆ ತೋಟಗಳನ್ನು ಸ್ಥಾಪಿಸಿದರು. ಸ್ಪಾನಿಯನ್ನರು ಮತ್ತು ಅಮೆರಿಕನ್ನರು ಫಿಲಿಪೈನ್ಸ್‌ನಲ್ಲಿ ತೆಂಗು ಮತ್ತು ಕಬ್ಬಿನ ಪ್ಲಾಂಟೇಷನ್‌ಗಳಿಗಾಗಿ ಬೃಹತ್ ಪ್ರಮಾಣದಲ್ಲಿ ಹೂಡಿಕೆ ಮಾಡಿದರು. ಹಿಂದೊಮ್ಮೆ ಇಂಡೋನೇಷಿಯಾದಲ್ಲಿ ಕಬ್ಬಿನ ಪ್ಲಾಂಟೇಷನ್‌ಗಳ ಮೇಲೆ ಏಕಸ್ವಾಮ್ಯ ಸಾಧಿಸಿದ್ದರು. ಇಂದಿಗೂ ಕೂಡ ಬ್ರೆಜಿಲ್‌ನ ಕೆಲವು ಕಾಫಿ ಫೆಜೆಂಡರ್ (ಬೃಹತ್ ಪ್ಲಾಂಟೇಷನ್‌ಗಳು) ಯುರೋಪಿಯನ್ನರಿಂದ ನಿರ್ವಹಣೆಗೊಳ್ಳುತ್ತಿವೆ. ಇಂದು ಆಯಾ ದೇಶಗಳ ಸರ್ಕಾರಗಳ ಅಥವಾ ಪ್ರಜೆಗಳ ಕೈಗೆ ಅಲ್ಲಿನ ಬಹುತೇಕ ಪ್ಲಾಂಟೇಷನ್‌ಗಳ ಮಾಲೀಕತ್ವವು ಹಸ್ತಾಂತರಗೊಂಡಿರುತ್ತದೆ.

ಬ್ರಿಟಿಷರು ಭಾರತದಲ್ಲಿ ಮತ್ತು ಶ್ರೀಲಂಕಾದಲ್ಲಿ ಬೃಹತ್ \_\_\_\_\_ ಗಳನ್ನು ಸ್ಥಾಪಿಸಿದರು.

1. ರಬ್ಬರ್ ತೋಟಗಳು
2. ಕಬ್ಬಿನ ಪ್ಲಾಂಟೇಷನ್‌ಗಳು
3. ಬಾಳೆಯ ತೋಟಗಳು
4. ಟೀ ತೋಟಗಳು

**Options :**

485584137001. 1  
485584137002. 2  
485584137003. 3  
485584137004. 4

**Question Number : 97 Question Id : 48558434252 Question Type : MCQ Option Shuffling : No Is Question Mandatory : No Calculator : None Response Time : N.A Think Time : N.A Minimum Instruction Time : 0**

**Correct Marks : 5 Wrong Marks : 1**

**Question Key Details :**

Key	Value
Comprehension	Comp2

The French established cocoa and coffee plantations in West Africa. The British set up large tea gardens in India and Sri Lanka, rubber plantation in Malaysia, and Sugarcane and banana plantations in West Indies. Spanish and Americans invested heavily in coconut and sugarcane plantations in the Philippines. The Dutch once had monopoly over Sugarcane plantations in Indonesia. Some Coffee Fazendar (large plantation) in Brazil are still managed by Europeans. Today, ownership of the majority of plantations have passed into the hands of the government or the nationals of the countries concerned.

\_\_\_\_\_ once had monopoly over Sugarcane plantation in Indonesia.

1. French
2. Malaysia
3. Philippines
4. Dutch

**Options :**

485584137005. 1  
485584137006. 2  
485584137007. 3  
485584137008. 4

**Question Number : 97 Question Id : 48558434252 Question Type : MCQ Option Shuffling : No Is Question Mandatory : No Calculator : None Response Time : N.A Think Time : N.A Minimum Instruction Time : 0**

**Correct Marks : 5 Wrong Marks : 1**

**Question Key Details :**

Key	Value
-----	-------

ಪಶ್ಚಿಮ ಆಫ್ರಿಕಾದಲ್ಲಿ ಫ್ರೆಂಚರು ಕೋಕೋ ಮತ್ತು ಕಾಫಿ ಪ್ಲಾಂಟೇಷನ್ ಅನ್ನು ಸ್ಥಾಪಿಸಿದರು. ಬ್ರಿಟಿಷರು ಭಾರತದಲ್ಲಿ ಮತ್ತು ಶ್ರೀಲಂಕಾದಲ್ಲಿ ಬೃಹತ್ ಚಹಾ ತೋಟಗಳನ್ನು, ಮಲೇಷಿಯಾದಲ್ಲಿ ರಬ್ಬರ್ ತೋಟಗಳನ್ನು ಮತ್ತು ವೆಸ್ಟ್ ಇಂಡೀಸ್‌ನಲ್ಲಿ ಕಬ್ಬಿನ ಮತ್ತು ಬಾಳೆ ತೋಟಗಳನ್ನು ಸ್ಥಾಪಿಸಿದರು. ಸ್ಪಾನಿಯನ್ನರು ಮತ್ತು ಅಮೆರಿಕನ್ನರು ಫಿಲಿಪೈನ್ಸ್‌ನಲ್ಲಿ ತೆಂಗು ಮತ್ತು ಕಬ್ಬಿನ ಪ್ಲಾಂಟೇಷನ್‌ಗಳಿಗಾಗಿ ಬೃಹತ್ ಪ್ರಮಾಣದಲ್ಲಿ ಹೂಡಿಕೆ ಮಾಡಿದರು. ಹಿಂದೊಮ್ಮೆ ಇಂಡೋನೇಷಿಯಾದಲ್ಲಿ ಕಬ್ಬಿನ ಪ್ಲಾಂಟೇಷನ್‌ಗಳ ಮೇಲೆ ಏಕಸ್ವಾಮ್ಯ ಸಾಧಿಸಿದ್ದರು. ಇಂದಿಗೂ ಕೂಡ ಬ್ರೆಜಿಲ್‌ನ ಕೆಲವು ಕಾಫಿ ಫಜೆಂಡರ್ (ಬೃಹತ್ ಪ್ಲಾಂಟೇಷನ್‌ಗಳು) ಯುರೋಪಿಯನ್ನರಿಂದ ನಿರ್ವಹಣೆಗೊಳ್ಳುತ್ತಿವೆ. ಇಂದು ಆಯಾ ದೇಶಗಳ ಸರ್ಕಾರಗಳ ಅಥವಾ ಪ್ರಜೆಗಳ ಕೈಗೆ ಅಲ್ಲಿನ ಬಹುತೇಕ ಪ್ಲಾಂಟೇಷನ್‌ಗಳ ಮಾಲೀಕತ್ವವು ಹಸ್ತಾಂತರಗೊಂಡಿರುತ್ತದೆ.

\_\_\_\_\_ರು ಒಂದು ಕಾಲದಲ್ಲಿ ಇಂಡೋನೇಷಿಯಾದ ಕಬ್ಬಿನ ಪ್ಲಾಂಟೇಷನ್‌ಗಳ ಮೇಲೆ ಏಕಸ್ವಾಮ್ಯ ಸಾಧಿಸಿದ್ದರು.

1. ಫ್ರೆಂಚ್
2. ಮಲೇಷಿಯಾ
3. ಫಿಲಿಪೈನ್ಸ್
4. ಡಚ್ಚರು

**Options :**

485584137005. 1  
 485584137006. 2  
 485584137007. 3  
 485584137008. 4

**Question Number : 98 Question Id : 48558434253 Question Type : MCQ Option Shuffling : No Is Question Mandatory : No Calculator : None Response Time : N.A Think Time : N.A Minimum Instruction Time : 0**

**Correct Marks : 5 Wrong Marks : 1**

**Question Key Details :**

Key	Value
Comprehension	Comp2

The French established cocoa and coffee plantations in West Africa. The British set up large tea gardens in India and Sri Lanka, rubber plantation in Malaysia, and Sugarcane and banana plantations in West Indies. Spanish and Americans invested heavily in coconut and sugarcane plantations in the Philippines. The Dutch once had monopoly over Sugarcane plantations in Indonesia. Some Coffee Fazendar (large plantation) in Brazil are still managed by Europeans. Today, ownership of the majority of plantations have passed into the hands of the government or the nationals of the countries concerned.

The French established Cocoa and Coffee plantations in.

1. East Africa
2. West Africa
3. East America
4. South America

**Options :**

485584137009. 1  
485584137010. 2  
485584137011. 3  
485584137012. 4

**Question Number : 98 Question Id : 48558434253 Question Type : MCQ Option Shuffling : No Is Question Mandatory : No Calculator : None Response Time : N.A Think Time : N.A Minimum Instruction Time : 0**

**Correct Marks : 5 Wrong Marks : 1**

**Question Key Details :**

Key	Value
Comprehension	Comp2

ಪಶ್ಚಿಮ ಆಫ್ರಿಕಾದಲ್ಲಿ ಫ್ರೆಂಚರು ಕೋಕೋ ಮತ್ತು ಕಾಫಿ ಪ್ಲಾಂಟೇಷನ್ ಅನ್ನು ಸ್ಥಾಪಿಸಿದರು. ಬ್ರಿಟಿಷರು ಭಾರತದಲ್ಲಿ ಮತ್ತು ಶ್ರೀಲಂಕಾದಲ್ಲಿ ಬೃಹತ್ ಚಹಾ ತೋಟಗಳನ್ನು, ಮಲೇಷಿಯಾದಲ್ಲಿ ರಬ್ಬರ್ ತೋಟಗಳನ್ನು ಮತ್ತು ವೆಸ್ಟ್ ಇಂಡೀಸ್‌ನಲ್ಲಿ ಕಬ್ಬಿನ ಮತ್ತು ಬಾಳೆ ತೋಟಗಳನ್ನು ಸ್ಥಾಪಿಸಿದರು. ಸ್ಪಾನಿಯನ್ನರು ಮತ್ತು ಅಮೆರಿಕನ್ನರು ಫಿಲಿಪೈನ್ಸ್‌ನಲ್ಲಿ ತೆಂಗು ಮತ್ತು ಕಬ್ಬಿನ ಪ್ಲಾಂಟೇಷನ್‌ಗಳಿಗಾಗಿ ಬೃಹತ್ ಪ್ರಮಾಣದಲ್ಲಿ ಹೂಡಿಕೆ ಮಾಡಿದರು. ಹಿಂದೊಮ್ಮೆ ಇಂಡೋನೇಷಿಯಾದಲ್ಲಿ ಕಬ್ಬಿನ ಪ್ಲಾಂಟೇಷನ್‌ಗಳ ಮೇಲೆ ಏಕಸ್ವಾಮ್ಯ ಸಾಧಿಸಿದ್ದರು. ಇಂದಿಗೂ ಕೂಡ ಬ್ರೆಜಿಲ್‌ನ ಕೆಲವು ಕಾಫಿ ಫಜೆಂಡರ್ (ಬೃಹತ್ ಪ್ಲಾಂಟೇಷನ್‌ಗಳು) ಯುರೋಪಿಯನ್ನರಿಂದ ನಿರ್ವಹಣೆಗೊಳ್ಳುತ್ತಿವೆ. ಇಂದು ಆಯಾ ದೇಶಗಳ ಸರ್ಕಾರಗಳ ಅಥವಾ ಪ್ರಜೆಗಳ ಕೈಗೆ ಅಲ್ಲಿನ ಬಹುತೇಕ ಪ್ಲಾಂಟೇಷನ್‌ಗಳ ಮಾಲೀಕತ್ವವು ಹಸ್ತಾಂತರಗೊಂಡಿರುತ್ತದೆ.

ಫ್ರೆಂಚರು ಕೋಕೋ ಮತ್ತು ಕಾಫಿ ಪ್ಲಾಂಟೇಷನ್‌ಗಳನ್ನು \_\_\_\_\_ ದಲ್ಲಿ ಸ್ಥಾಪಿಸಿದರು.

1. ಪೂರ್ವ ಆಫ್ರಿಕಾ
2. ಪಶ್ಚಿಮ ಆಫ್ರಿಕಾ
3. ಪೂರ್ವ ಅಮೆರಿಕಾ
4. ದಕ್ಷಿಣ ಅಮೆರಿಕಾ

**Options :**

485584137009. 1  
485584137010. 2  
485584137011. 3  
485584137012. 4

**Question Number : 99 Question Id : 48558434254 Question Type : MCQ Option Shuffling : No Is Question Mandatory : No Calculator : None Response Time : N.A Think Time : N.A Minimum Instruction Time : 0**

Correct Marks : 5 Wrong Marks : 1

Question Key Details :

Key	Value
Comprehension	Comp2

The French established cocoa and coffee plantations in West Africa. The British set up large tea gardens in India and Sri Lanka, rubber plantation in Malaysia, and Sugarcane and banana plantations in West Indies. Spanish and Americans invested heavily in coconut and sugarcane plantations in the Philippines. The Dutch once had monopoly over Sugarcane plantations in Indonesia. Some Coffee Fazendar (large plantation) in Brazil are still managed by Europeans. Today, ownership of the majority of plantations have passed into the hands of the government or the nationals of the countries concerned.

The British set up large sugarcane and banana plantations in.

1. India and Sri Lanka
2. Indonesia
3. West Indies
4. Spain

Options :

485584137013. 1  
485584137014. 2  
485584137015. 3  
485584137016. 4

Question Number : 99 Question Id : 48558434254 Question Type : MCQ Option Shuffling : No Is Question Mandatory : No Calculator : None Response Time : N.A Think Time : N.A Minimum Instruction Time : 0

Correct Marks : 5 Wrong Marks : 1

Question Key Details :

Key	Value
Comprehension	Comp2

ಪಶ್ಚಿಮ ಆಫ್ರಿಕಾದಲ್ಲಿ ಫ್ರೆಂಚರು ಕೋಕೋ ಮತ್ತು ಕಾಫಿ ಪ್ಲಾಂಟೇಷನ್ ಅನ್ನು ಸ್ಥಾಪಿಸಿದರು. ಬ್ರಿಟಿಷರು ಭಾರತದಲ್ಲಿ ಮತ್ತು ಶ್ರೀಲಂಕಾದಲ್ಲಿ ಬೃಹತ್ ಚಹಾ ತೋಟಗಳನ್ನು, ಮಲೇಷಿಯಾದಲ್ಲಿ ರಬ್ಬರ್ ತೋಟಗಳನ್ನು ಮತ್ತು ವೆಸ್ಟ್ ಇಂಡೀಸ್‌ನಲ್ಲಿ ಕಬ್ಬಿನ ಮತ್ತು ಬಾಳೆ ತೋಟಗಳನ್ನು ಸ್ಥಾಪಿಸಿದರು. ಸ್ಪಾನಿಯನ್ನರು ಮತ್ತು ಅಮೆರಿಕನ್ನರು ಫಿಲಿಪೈನ್ಸ್‌ನಲ್ಲಿ ತೆಂಗು ಮತ್ತು ಕಬ್ಬಿನ ಪ್ಲಾಂಟೇಷನ್‌ಗಳಿಗಾಗಿ ಬೃಹತ್ ಪ್ರಮಾಣದಲ್ಲಿ ಹೂಡಿಕೆ ಮಾಡಿದರು. ಹಿಂದೊಮ್ಮೆ ಇಂಡೋನೇಷಿಯಾದಲ್ಲಿ ಕಬ್ಬಿನ ಪ್ಲಾಂಟೇಷನ್‌ಗಳ ಮೇಲೆ ಏಕಸ್ವಾಮ್ಯ ಸಾಧಿಸಿದ್ದರು. ಇಂದಿಗೂ ಕೂಡ ಬ್ರೆಜಿಲ್‌ನ ಕೆಲವು ಕಾಫಿ ಫೆಜೆಂಡರ್ (ಬೃಹತ್ ಪ್ಲಾಂಟೇಷನ್‌ಗಳು) ಯುರೋಪಿಯನ್ನರಿಂದ ನಿರ್ವಹಣೆಗೊಳ್ಳುತ್ತಿವೆ. ಇಂದು ಆಯಾ ದೇಶಗಳ ಸರ್ಕಾರಗಳ ಅಥವಾ ಪ್ರಜೆಗಳ ಕೈಗೆ ಅಲ್ಲಿನ ಬಹುತೇಕ ಪ್ಲಾಂಟೇಷನ್‌ಗಳ ಮಾಲೀಕತ್ವವು ಹಸ್ತಾಂತರಗೊಂಡಿರುತ್ತದೆ.

ಬ್ರಿಟಿಷರು ಕಬ್ಬಿನ ಮತ್ತು ಬಾಳೆಯ ಬೃಹತ್ ಪ್ಲಾಂಟೇಷನ್‌ಗಳನ್ನು \_\_\_\_\_ ದಲ್ಲಿ ಸ್ಥಾಪಿಸಿದರು.

1. ಭಾರತ ಮತ್ತು ಶ್ರೀಲಂಕಾ
2. ಇಂಡೋನೇಷಿಯಾ
3. ವೆಸ್ಟ್ ಇಂಡೀಸ್
4. ಸ್ಪೇನ್

**Options :**

485584137013. 1  
485584137014. 2  
485584137015. 3  
485584137016. 4

**Question Number : 100 Question Id : 48558434255 Question Type : MCQ Option Shuffling : No Is Question Mandatory : No Calculator : None Response Time : N.A Think Time : N.A Minimum Instruction Time : 0**

**Correct Marks : 5 Wrong Marks : 1**

**Question Key Details :**

Key	Value
Comprehension	Comp2

The French established cocoa and coffee plantations in West Africa. The British set up large tea gardens in India and Sri Lanka, rubber plantation in Malaysia, and Sugarcane and banana plantations in West Indies. Spanish and Americans invested heavily in coconut and sugarcane plantations in the Philippines. The Dutch once had monopoly over Sugarcane plantations in Indonesia. Some Coffee Fazendar (large plantation) in Brazil are still managed by Europeans. Today, ownership of the majority of plantations have passed into the hands of the government or the nationals of the countries concerned.

Spanish and Americans invested heavily in \_\_\_\_\_ the Philippines.

- A. Banana plantation
- B. Rubber plantation
- C. Coconut plantation
- D. Sugarcane plantation
- E. Tea garden

Choose the correct answer from the options given below:

1. A and B only
2. B and D only
3. C and D only
4. D and E only

**Options :**

485584137017. 1  
485584137018. 2  
485584137019. 3



**Question Number : 100 Question Id : 48558434255 Question Type : MCQ Option Shuffling : No Is Question Mandatory : No Calculator : None Response Time : N.A Think Time : N.A Minimum Instruction Time : 0**

**Correct Marks : 5 Wrong Marks : 1**

**Question Key Details :**

Key	Value
Comprehension	Comp2

ಪಶ್ಚಿಮ ಆಫ್ರಿಕಾದಲ್ಲಿ ಫ್ರೆಂಚರು ಕೋಕೋ ಮತ್ತು ಕಾಫಿ ಪ್ಲಾಂಟೇಷನ್ ಅನ್ನು ಸ್ಥಾಪಿಸಿದರು. ಬ್ರಿಟಿಷರು ಭಾರತದಲ್ಲಿ ಮತ್ತು ಶ್ರೀಲಂಕಾದಲ್ಲಿ ಬೃಹತ್ ಚಹಾ ತೋಟಗಳನ್ನು, ಮಲೇಷಿಯಾದಲ್ಲಿ ರಬ್ಬರ್ ತೋಟಗಳನ್ನು ಮತ್ತು ವೆಸ್ಟ್ ಇಂಡೀಸ್‌ನಲ್ಲಿ ಕಬ್ಬಿನ ಮತ್ತು ಬಾಳೆ ತೋಟಗಳನ್ನು ಸ್ಥಾಪಿಸಿದರು. ಸ್ಪಾನಿಯನ್ನರು ಮತ್ತು ಅಮೆರಿಕನ್ನರು ಫಿಲಿಪೈನ್ಸ್‌ನಲ್ಲಿ ತೆಂಗು ಮತ್ತು ಕಬ್ಬಿನ ಪ್ಲಾಂಟೇಷನ್‌ಗಳಿಗಾಗಿ ಬೃಹತ್ ಪ್ರಮಾಣದಲ್ಲಿ ಹೂಡಿಕೆ ಮಾಡಿದರು. ಹಿಂದೊಮ್ಮೆ ಇಂಡೋನೇಷಿಯಾದಲ್ಲಿ ಕಬ್ಬಿನ ಪ್ಲಾಂಟೇಷನ್‌ಗಳ ಮೇಲೆ ಏಕಸ್ವಾಮ್ಯ ಸಾಧಿಸಿದ್ದರು. ಇಂದಿಗೂ ಕೂಡ ಬ್ರೆಜಿಲ್‌ನ ಕೆಲವು ಕಾಫಿ ಫೆಜೆಂಡರ್ (ಬೃಹತ್ ಪ್ಲಾಂಟೇಷನ್‌ಗಳು) ಯುರೋಪಿಯನ್ನರಿಂದ ನಿರ್ವಹಣೆಗೊಳ್ಳುತ್ತಿವೆ. ಇಂದು ಆಯಾ ದೇಶಗಳ ಸರ್ಕಾರಗಳ ಅಥವಾ ಪ್ರಜೆಗಳ ಕೈಗೆ ಅಲ್ಲಿನ ಬಹುತೇಕ ಪ್ಲಾಂಟೇಷನ್‌ಗಳ ಮಾಲೀಕತ್ವವು ಹಸ್ತಾಂತರಗೊಂಡಿರುತ್ತದೆ.

ಸ್ಪಾನಿಯನ್ನರು ಮತ್ತು ಅಮೆರಿಕನ್ನರು ಫಿಲಿಪೈನ್ಸ್‌ನಲ್ಲಿ \_\_\_\_\_ ಮೇಲೆ ಬೃಹತ್ ಹೂಡಿಕೆ ಮಾಡಿದರು.

- A. ಬಾಳೆ ಪ್ಲಾಂಟೇಷನ್
- B. ರಬ್ಬರ್ ಪ್ಲಾಂಟೇಷನ್
- C. ತೆಂಗಿನ ಪ್ಲಾಂಟೇಷನ್
- D. ಕಬ್ಬಿನ ಪ್ಲಾಂಟೇಷನ್
- E. ಚಹಾ ತೋಟಗಳು

ಈ ಕೆಳಗಿನ ಆಯ್ಕೆಗಳಿಂದ ಸರಿಯಾದ ಸರಿಯಾದ ಉತ್ತರವನ್ನು ಆರಿಸಿ:

- 1. A ಮತ್ತು B ಮಾತ್ರ
- 2. B ಮತ್ತು D ಮಾತ್ರ
- 3. C ಮತ್ತು D ಮಾತ್ರ
- 4. D ಮತ್ತು E ಮಾತ್ರ

**Options :**

- 485584137017. 1
- 485584137018. 2
- 485584137019. 3
- 485584137020. 4

## Engineering Graphics

<b>Group Number :</b>	8
<b>Group Id :</b>	485584775
<b>Group Maximum Duration :</b>	45
<b>Group Minimum Duration :</b>	45
<b>Show Attended Group? :</b>	No

Edit Attended Group? : No  
Break time : 0  
Group Marks : 200  
Is this Group for Examiner? : No  
Examiner permission : Cant View  
Show Progress Bar? : No

## Engineering Graphics

Section Id : 485584893  
Section Number : 1  
Section type : Online  
Mandatory or Optional : Mandatory  
Number of Questions : 50  
Number of Questions to be attempted : 40  
Section Marks : 200  
Enable Mark as Answered Mark for Review and Clear Response : Yes  
Maximum Instruction Time : 0  
Sub-Section Number : 1  
Sub-Section Id : 4855842533  
Question Shuffling Allowed : Yes  
Is Section Default? : null

Question Number : 101 Question Id : 48558434606 Question Type : MCQ Option Shuffling : No Is Question Mandatory : No Calculator : None Response Time : N.A Think Time : N.A Minimum Instruction Time : 0

Correct Marks : 5 Wrong Marks : 1

Question Key Details :

Key	Value
Comprehension	MCQ

The view that gives inside details of an object is \_\_\_\_\_.

1. top view
2. front view
3. detailed view
4. sectional view

Options :

485584138421. 1  
485584138422. 2  
485584138423. 3  
485584138424. 4

Question Number : 101 Question Id : 48558434606 Question Type : MCQ Option Shuffling : No Is Question Mandatory : No Calculator : None Response Time : N.A Think Time : N.A Minimum Instruction Time : 0

Correct Marks : 5 Wrong Marks : 1

Question Key Details :

Key	Value
Comprehension	MCQ

ವಸ್ತುವಿನ ಒಳಗಿನ ವಿವರಗಳನ್ನು ನೀಡುವ ನೋಟವು:

1. ಮೇಲಿನ ನೋಟ
2. ಮುಂಭಾಗದ ನೋಟ
3. ವಿವರವಾದ ನೋಟ
4. ವಿಭಾಗೀಯ ನೋಟ

**Options :**

485584138421. 1  
485584138422. 2  
485584138423. 3  
485584138424. 4

**Question Number : 102 Question Id : 48558434607 Question Type : MCQ Option Shuffling : No Is Question Mandatory : No Calculator : None Response Time : N.A Think Time : N.A Minimum Instruction Time : 0**

**Correct Marks : 5 Wrong Marks : 1**

**Question Key Details :**

Key	Value
Comprehension	MCQ

In Perspective projection, object appears to converge at a point, called \_\_\_\_\_.

1. enlarged point
2. vanishing point
3. dimensional point
4. horizontal plane

**Options :**

485584138425. 1  
485584138426. 2  
485584138427. 3  
485584138428. 4

**Question Number : 102 Question Id : 48558434607 Question Type : MCQ Option Shuffling : No Is Question Mandatory : No Calculator : None Response Time : N.A Think Time : N.A Minimum Instruction Time : 0**

**Correct Marks : 5 Wrong Marks : 1**

**Question Key Details :**

Key	Value
Comprehension	MCQ

ಪರಿದೃಶ್ಯ ನೋಟದಲ್ಲಿ ವಸ್ತುವು ಒಂದು ಹಂತದಲ್ಲಿ ಒಮ್ಮುಖವಾಗುವಂತೆ ಕಾಣುತ್ತದೆ. ಈ ಹಂತವನ್ನು ಹೀಗೆಂದು ಕರೆಯುತ್ತಾರೆ:

1. ಎನ್‌ಲಾರ್ಜಡ್ ಬಿಂದು
2. ವ್ಯಾನಿಶಿಂಗ್ ಬಿಂದು
3. ಡೈಮಿನ್ಷನಲ್ ಬಿಂದು
4. ಸಮತಲೀಯ ಸಮತಲ

**Options :**

485584138425. 1  
485584138426. 2  
485584138427. 3  
485584138428. 4

**Question Number : 103 Question Id : 48558434608 Question Type : MCQ Option Shuffling : No Is Question Mandatory : No Calculator : None Response Time : N.A Think Time : N.A Minimum Instruction Time : 0**

**Correct Marks : 5 Wrong Marks : 1**

**Question Key Details :**

Key	Value
Comprehension	MCQ

A solid having two bases and rectangular faces is \_\_\_\_\_.

1. Pyramid
2. Sphere
3. Prism
4. Cylinder

**Options :**

485584138429. 1  
485584138430. 2  
485584138431. 3  
485584138432. 4

**Question Number : 103 Question Id : 48558434608 Question Type : MCQ Option Shuffling : No Is Question Mandatory : No Calculator : None Response Time : N.A Think Time : N.A Minimum Instruction Time : 0**

**Correct Marks : 5 Wrong Marks : 1**

**Question Key Details :**

Key	Value
Comprehension	MCQ

ಎರಡು ಪಾದಗಳು ಮತ್ತು ಆಯತಾಕಾರದ ಮುಖಗಳನ್ನು ಹೊಂದಿರುವ ಭನವು \_\_\_\_\_.

1. ಪಿರಮಿಡ್
2. ಗೋಳ
3. ಪ್ರಿಸಂ
4. ಸಿಲಿಂಡರ್

**Options :**

485584138429. 1  
485584138430. 2  
485584138431. 3  
485584138432. 4

**Question Number : 104 Question Id : 48558434609 Question Type : MCQ Option Shuffling : No Is Question Mandatory : No Calculator : None Response Time : N.A Think Time : N.A Minimum Instruction Time : 0**

**Correct Marks : 5 Wrong Marks : 1**

**Question Key Details :**

Key	Value
Comprehension	MCQ

The isometric projection of an object is \_\_\_\_\_ view projection.

1. double
2. single
3. multiple
4. triple

**Options :**

485584138433. 1  
485584138434. 2  
485584138435. 3  
485584138436. 4

**Question Number : 104 Question Id : 48558434609 Question Type : MCQ Option Shuffling : No Is Question Mandatory : No Calculator : None Response Time : N.A Think Time : N.A Minimum Instruction Time : 0**

**Correct Marks : 5 Wrong Marks : 1**

**Question Key Details :**

Key	Value
Comprehension	MCQ

ಒಂದು ವಸ್ತುವಿನ ಸಮಮಾಪನ ಪ್ರಕ್ಷೇಪಣವು \_\_\_\_\_ ಪ್ರಕ್ಷೇಪಣದ ನೋಟವಾಗಿದೆ.

1. ದ್ವಿಗುಣಗೊಳಿಸಿದ
2. ಏಕ
3. ಬಹು
4. Triple

**Options :**

485584138433. 1  
485584138434. 2  
485584138435. 3  
485584138436. 4

**Question Number : 105 Question Id : 48558434610 Question Type : MCQ Option Shuffling : No Is Question Mandatory : No Calculator : None Response Time : N.A Think Time : N.A Minimum Instruction Time : 0**

**Correct Marks : 5 Wrong Marks : 1**

**Question Key Details :**

Key	Value
Comprehension	MCQ

The isometric scale is used to obtain the \_\_\_\_\_ of the edges of any object to draw its isometric projection.

1. foreshortened length
2. enlarged length
3. true length
4. double length

**Options :**

485584138437. 1  
485584138438. 2  
485584138439. 3  
485584138440. 4

**Question Number : 105 Question Id : 48558434610 Question Type : MCQ Option Shuffling : No Is Question Mandatory : No Calculator : None Response Time : N.A Think Time : N.A Minimum Instruction Time : 0**

**Correct Marks : 5 Wrong Marks : 1**

**Question Key Details :**

Key	Value
Comprehension	MCQ

ಯಾವುದೇ ವಸ್ತುವಿನ ಐಸೋಮೆಟ್ರಿಕ್ ಪ್ರೊಜೆಕ್ಷನ್ ಅನ್ನು ಚಿತ್ರಿಸಲು ಅದರ ಪರಿಣಾಮಗಳ \_\_\_\_\_  
ಅನ್ನು ಪಡೆಯಲು ಐಸೋಮೆಟ್ರಿಕ್ ಸ್ಕೇಲ್ ಅನ್ನು ಬಳಸಲಾಗುತ್ತದೆ.

1. ಕಡಿಮೆಯಾಗಿಸಿದ ಉದ್ದ
2. ವಿಸ್ತರಿಸಲಾದ ಉದ್ದ
3. ನೈಜ ಉದ್ದ
4. ಪೂರ್ಣ ಗಾತ್ರದ ಉದ್ದ

**Options :**

485584138437. 1  
485584138438. 2  
485584138439. 3  
485584138440. 4

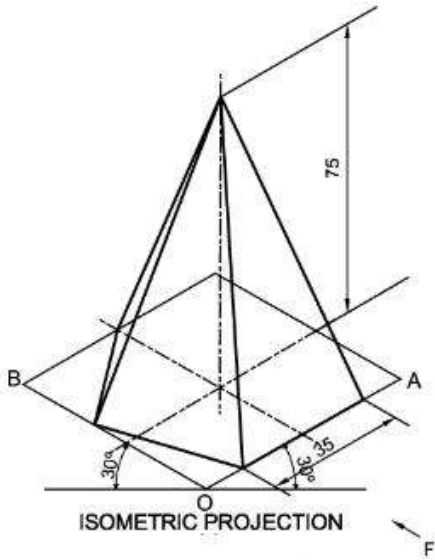
**Question Number : 106 Question Id : 48558434611 Question Type : MCQ Option Shuffling : No Is Question Mandatory :  
No Calculator : None Response Time : N.A Think Time : N.A Minimum Instruction Time : 0**

**Correct Marks : 5 Wrong Marks : 1**

**Question Key Details :**

Key	Value
Comprehension	MCQ

Choose the **correct** option as per the given figure:



1. A hexagonal prism is resting on H.P. on its base.
2. A pentagonal prism is resting on H.P. on its base.
3. A pentagonal pyramid is resting on H.P. on its apex.
4. A pentagonal pyramid is resting on H.P. on its base.

**Options :**

485584138441. 1  
485584138442. 2

485584138443. 3

485584138444. 4

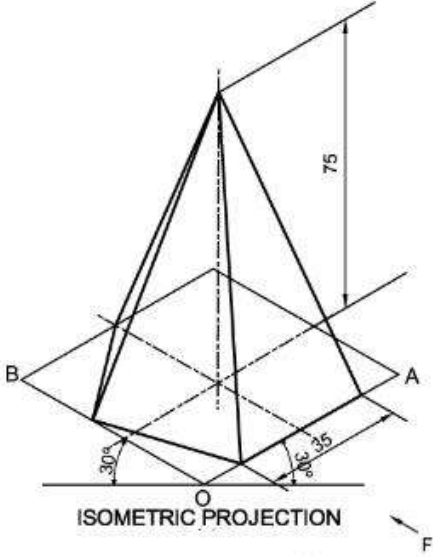
Question Number : 106 Question Id : 48558434611 Question Type : MCQ Option Shuffling : No Is Question Mandatory : No Calculator : None Response Time : N.A Think Time : N.A Minimum Instruction Time : 0

Correct Marks : 5 Wrong Marks : 1

Question Key Details :

Key	Value
Comprehension	MCQ

ಕೆಳಗಿನ ಚಿತ್ರದ ಪ್ರಕಾರ ಸರಿಯಾದ ಹೇಳಿಕೆ ಆರಿಸಿ.



1. ಷಡ್ಭುಜೀಯ ಪ್ರಿಸಂ ತನ್ನ ಪಾದದಲ್ಲಿ HP ಮೇಲೆ ನಿಂತಿದೆ
2. ಪಂಚಭುಜ ಪ್ರಿಸಂ ತನ್ನ ಪಾದದಲ್ಲಿ HP ಮೇಲೆ ನಿಂತಿದೆ
3. ಪಂಚಭುಜ ಪಿರಮಿಡ್ ತನ್ನ ತುದಿಯಲ್ಲಿ HP ಮೇಲೆ ನಿಂತಿದೆ
4. ಪಂಚಭುಜ ಪಿರಮಿಡ್ ತನ್ನ ಪಾದದಲ್ಲಿ HP ಮೇಲೆ ನಿಂತಿದೆ

Options :

485584138441. 1

485584138442. 2

485584138443. 3

485584138444. 4

Question Number : 107 Question Id : 48558434612 Question Type : MCQ Option Shuffling : No Is Question Mandatory : No Calculator : None Response Time : N.A Think Time : N.A Minimum Instruction Time : 0

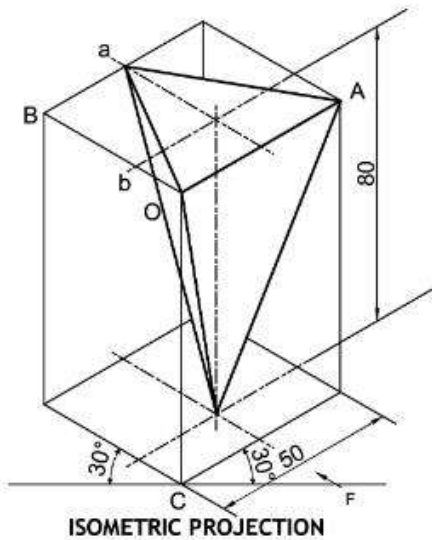
Correct Marks : 5 Wrong Marks : 1

Question Key Details :

Key	Value
Comprehension	MCQ



Choose the **correct** option as per the given figure:



1. One of its base edges is perpendicular to V.P.
2. One of its base edges is parallel to V.P. and away from the observer.
3. One of its base edges is parallel to V.P. and nearer to the observer.
4. One of its base edges is perpendicular to H.P.

**Options :**

- 485584138445. 1
- 485584138446. 2
- 485584138447. 3
- 485584138448. 4

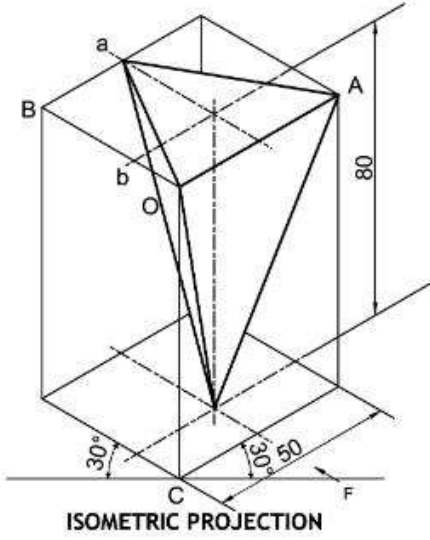
**Question Number : 107 Question Id : 48558434612 Question Type : MCQ Option Shuffling : No Is Question Mandatory : No Calculator : None Response Time : N.A Think Time : N.A Minimum Instruction Time : 0**

**Correct Marks : 5 Wrong Marks : 1**

**Question Key Details :**

Key	Value
Comprehension	MCQ

ಕೊಟ್ಟಿರುವ ಚಿತ್ರದ ಪ್ರಕಾರ ಸರಿಯಾದ ಆಯ್ಕೆ ತಿಳಿಸಿ.



1. ಇದರ ಪಾದದ ಬದಿಗಳಲ್ಲಿ ಒಂದು V.P. ಗೆ ಲಂಬವಾಗಿದೆ.
2. ಇದರ ಪಾದದ ಬದಿಗಳಲ್ಲಿ ಒಂದು V.P. ಗೆ ಸಮಾಂತರವಾಗಿ ವೀಕ್ಷಣೆಯಿಂದ ದೂರವಿದೆ.
3. ಇದರ ಪಾದದ ಬದಿಗಳಲ್ಲಿ ಒಂದು V.P. ಗೆ ಸಮಾಂತರವಾಗಿ ವೀಕ್ಷಣೆಗೆ ಹತ್ತಿರವಿದೆ.
4. ಇದರ ಪಾದದ ಬದಿಗಳಲ್ಲಿ ಒಂದು H.P. ಗೆ ಲಂಬವಾಗಿದೆ.

**Options :**

- 485584138445. 1
- 485584138446. 2
- 485584138447. 3
- 485584138448. 4

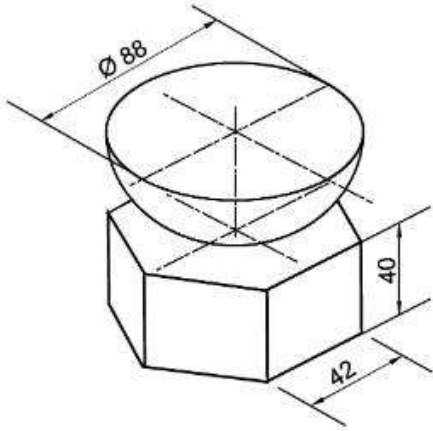
**Question Number : 108 Question Id : 48558434613 Question Type : MCQ Option Shuffling : No Is Question Mandatory : No Calculator : None Response Time : N.A Think Time : N.A Minimum Instruction Time : 0**

**Correct Marks : 5 Wrong Marks : 1**

**Question Key Details :**

Key	Value
Comprehension	MCQ

Choose the **correct** option as per the given figure:



1. A hemisphere is resting on a hexagonal pyramid.
2. A hemisphere is resting on a hexagonal prism.
3. A sphere is resting on a pentagonal pyramid.
4. A sphere is resting on a hexagonal prism.

**Options :**

- 485584138449. 1
- 485584138450. 2
- 485584138451. 3
- 485584138452. 4

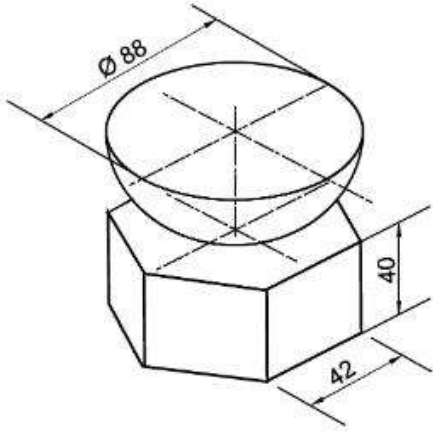
**Question Number : 108 Question Id : 48558434613 Question Type : MCQ Option Shuffling : No Is Question Mandatory : No Calculator : None Response Time : N.A Think Time : N.A Minimum Instruction Time : 0**

**Correct Marks : 5 Wrong Marks : 1**

**Question Key Details :**

Key	Value
Comprehension	MCQ

ತೋರಿಸಿದ ಚಿತ್ರದ ಆಧಾರದ ಮೇಲೆ ಸರಿಯಾದ ಹೇಳಿಕೆಗಳನ್ನು ಆರಿಸಿ.



1. ಅರ್ಧಗೋಳವು ಷಡ್ಭುಜಾಕೃತಿಯ ಪಿರಮಿಡ್ ಮೇಲೆ ನಿಂತಿದೆ
2. ಅರ್ಧಗೋಳವು ಷಡ್ಭುಜಾಕೃತಿಯ ಪ್ರಿಸಂ ಮೇಲೆ ನಿಂತಿದೆ
3. ಗೋಳವು ಪಂಚಭುಜಾಕೃತಿಯ ಪಿರಮಿಡ್ ಮೇಲೆ ನಿಂತಿದೆ
4. ಗೋಳವು ಷಡ್ಭುಜಾಕೃತಿಯ ಪ್ರಿಸಂ ಮೇಲೆ ನಿಂತಿದೆ

**Options :**

485584138449. 1  
485584138450. 2  
485584138451. 3  
485584138452. 4

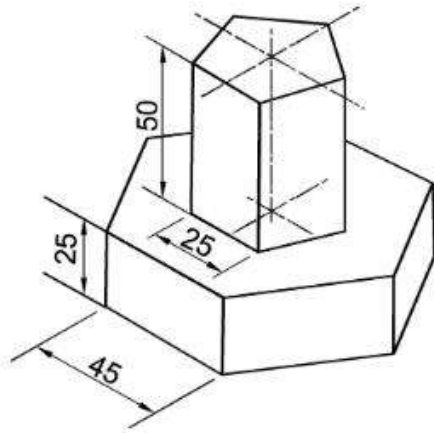
**Question Number : 109 Question Id : 48558434614 Question Type : MCQ Option Shuffling : No Is Question Mandatory : No Calculator : None Response Time : N.A Think Time : N.A Minimum Instruction Time : 0**

**Correct Marks : 5 Wrong Marks : 1**

**Question Key Details :**

Key	Value
Comprehension	MCQ

How many rectangular faces are there in the given figure:



1. 9
2. 10
3. 11
4. 12

**Options :**

- 485584138453. 1
- 485584138454. 2
- 485584138455. 3
- 485584138456. 4

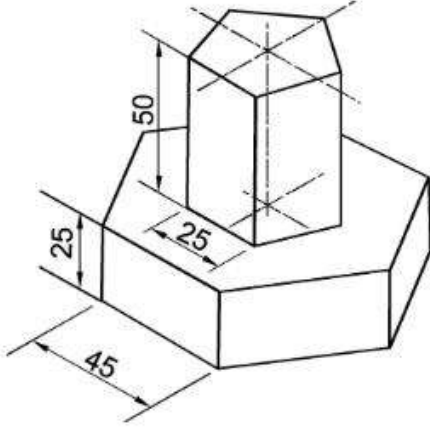
**Question Number : 109 Question Id : 48558434614 Question Type : MCQ Option Shuffling : No Is Question Mandatory : No Calculator : None Response Time : N.A Think Time : N.A Minimum Instruction Time : 0**

**Correct Marks : 5 Wrong Marks : 1**

**Question Key Details :**

Key	Value
Comprehension	MCQ

ಕೊಟ್ಟಿರುವ ಚಿತ್ರದಲ್ಲಿ ಆಯತಾಕಾರದ ಮುಖಗಳು ಎಷ್ಟಿವೆ?



1. 9
2. 10
3. 11
4. 12

**Options :**

485584138453. 1  
485584138454. 2  
485584138455. 3  
485584138456. 4

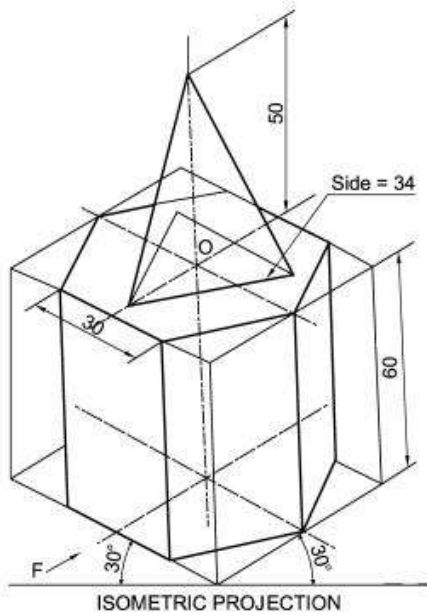
**Question Number : 110 Question Id : 48558434615 Question Type : MCQ Option Shuffling : No Is Question Mandatory : No Calculator : None Response Time : N.A Think Time : N.A Minimum Instruction Time : 0**

**Correct Marks : 5 Wrong Marks : 1**

**Question Key Details :**

Key	Value
Comprehension	MCQ

Choose the **correct** option as per the given figure:



1. Axial height of isometric projection of combination of solids is 88 mm.
2. Axial height of isometric projection of combination of solids is 110 mm.
3. Axial height of isometric projection of combination of solids is 60 mm.
4. Axial height of isometric projection of combination of solids is 50 mm.

**Options :**

- 485584138457. 1
- 485584138458. 2
- 485584138459. 3
- 485584138460. 4

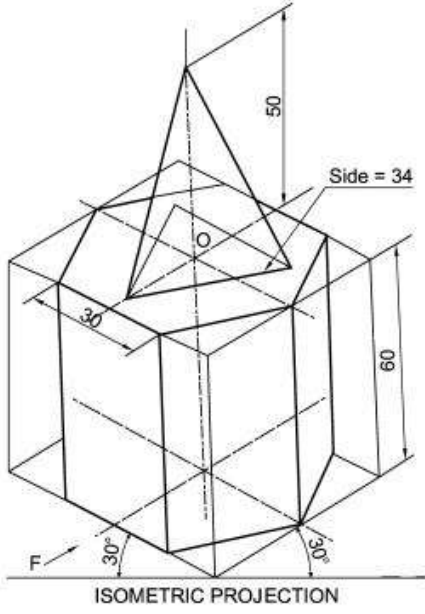
**Question Number : 110 Question Id : 48558434615 Question Type : MCQ Option Shuffling : No Is Question Mandatory : No Calculator : None Response Time : N.A Think Time : N.A Minimum Instruction Time : 0**

**Correct Marks : 5 Wrong Marks : 1**

**Question Key Details :**

Key	Value
Comprehension	MCQ

ಘನಗಳ ಸಂಯೋಜನೆಯ ಐಸೋಮೆಟ್ರಿಕ್ ಪ್ರೊಜೆಕ್ಷನ್ ಕೊಟ್ಟಿರುವ ಚಿತ್ರವನ್ನು ನೋಡಿ ಸರಿಯಾದ ಉತ್ತರ ಆರಿಸಿ.



1. ಘನವಸ್ತುಗಳ ಸಂಯೋಜನೆಯ ಐಸೋಮೆಟ್ರಿಕ್ ಪ್ರೊಜೆಕ್ಷನ್ ಅಕ್ಷೀಯ ಎತ್ತರ 88 ಸೆ.ಮೀ.
2. ಘನವಸ್ತುಗಳ ಸಂಯೋಜನೆಯ ಐಸೋಮೆಟ್ರಿಕ್ ಪ್ರೊಜೆಕ್ಷನ್ ಎತ್ತರ 110 ಮಿ.ಮೀ.
3. ಘನವಸ್ತುಗಳ ಸಂಯೋಜನೆಯ ಐಸೋಮೆಟ್ರಿಕ್ ಪ್ರೊಜೆಕ್ಷನ್ ಎತ್ತರ 60 ಮಿ.ಮೀ.
4. ಘನವಸ್ತುಗಳ ಸಂಯೋಜನೆಯ ಐಸೋಮೆಟ್ರಿಕ್ ಪ್ರೊಜೆಕ್ಷನ್ ಎತ್ತರ 50 ಮಿ.ಮೀ.

**Options :**

- 485584138457. 1
- 485584138458. 2
- 485584138459. 3
- 485584138460. 4

**Question Number : 111 Question Id : 48558434616 Question Type : MCQ Option Shuffling : No Is Question Mandatory : No Calculator : None Response Time : N.A Think Time : N.A Minimum Instruction Time : 0**

**Correct Marks : 5 Wrong Marks : 1**

**Question Key Details :**

Key	Value
Comprehension	MCQ



In a Screw thread, theoretical depth (D) of the thread will be equal to \_\_\_\_\_.

1. (Major Diameter) – (Minor Diameter)
2.  $\frac{\{(Major\ Diameter) - (Minor\ Diameter)\}}{2}$
3.  $2 \times \{(Major\ Diameter) - (Minor\ Diameter)\}$
4. (Major Diameter) + (Minor Diameter)

**Options :**

485584138461. 1  
485584138462. 2  
485584138463. 3  
485584138464. 4

**Question Number : 111 Question Id : 48558434616 Question Type : MCQ Option Shuffling : No Is Question Mandatory : No Calculator : None Response Time : N.A Think Time : N.A Minimum Instruction Time : 0**

**Correct Marks : 5 Wrong Marks : 1**

**Question Key Details :**

Key	Value
Comprehension	MCQ

ಸೂತ್ರ ಭೇದನಲ್ಲಿ, ಭೇದನ ವಸ್ತುನಿಷ್ಠ (ಸೈದ್ಧಾಂತಿಕ) ಆಳ \_\_\_\_\_ ಗೆ ಸಮನಾಗಿದೆ.

1. (Major Diameter) – (Minor Diameter)
2.  $\frac{\{(Major\ Diameter) - (Minor\ Diameter)\}}{2}$
3.  $2 \times \{(Major\ Diameter) - (Minor\ Diameter)\}$
4. (Major Diameter) + (Minor Diameter)

**Options :**

485584138461. 1  
485584138462. 2  
485584138463. 3  
485584138464. 4

**Question Number : 112 Question Id : 48558434617 Question Type : MCQ Option Shuffling : No Is Question Mandatory : No Calculator : None Response Time : N.A Think Time : N.A Minimum Instruction Time : 0**

**Correct Marks : 5 Wrong Marks : 1**

**Question Key Details :**

Key	Value
Comprehension	MCQ

If pitch is 'P' in B.S.W. thread, then the value of 'd' (d= Actual Depth) will be \_\_\_\_\_.

1. 0.96P
2. 0.64P
3. 0.51P
4. 0.86P

**Options :**

485584138465. 1  
485584138466. 2  
485584138467. 3  
485584138468. 4

**Question Number : 112 Question Id : 48558434617 Question Type : MCQ Option Shuffling : No Is Question Mandatory : No Calculator : None Response Time : N.A Think Time : N.A Minimum Instruction Time : 0**

**Correct Marks : 5 Wrong Marks : 1**

**Question Key Details :**

Key	Value
Comprehension	MCQ

BSW ಥ್ರೆಡ್‌ನಲ್ಲಿ ಪಿಚ್ ('P') 50 ಮಿ.ಮೀ. ಇದ್ದಾಗ, 'd' ಯ ಬೆಲೆಯು \_\_\_\_\_.

(d= ಮೈಜ ಆಳ)

1. 0.96P
2. 0.64P
3. 0.51P
4. 0.86P

**Options :**

485584138465. 1  
485584138466. 2  
485584138467. 3  
485584138468. 4

**Question Number : 113 Question Id : 48558434618 Question Type : MCQ Option Shuffling : No Is Question Mandatory : No Calculator : None Response Time : N.A Think Time : N.A Minimum Instruction Time : 0**

**Correct Marks : 5 Wrong Marks : 1**

**Question Key Details :**

Key	Value
Comprehension	MCQ

Thread profile on an electric bulb:

1. Metric internal thread
2. Square thread
3. B.S.W. thread
4. Knuckle thread

**Options :**

485584138469. 1  
485584138470. 2  
485584138471. 3  
485584138472. 4

**Question Number : 113 Question Id : 48558434618 Question Type : MCQ Option Shuffling : No Is Question Mandatory : No Calculator : None Response Time : N.A Think Time : N.A Minimum Instruction Time : 0**

**Correct Marks : 5 Wrong Marks : 1**

**Question Key Details :**

Key	Value
Comprehension	MCQ

ಎಲೆಕ್ಟ್ರಿಕ್ ಬಲ್ಬನ ಥ್ರೆಡ್ ಪ್ರೊಫೈಲ್ ಇದಾಗಿದೆ:

1. ಮೆಟ್ರಿಕ್ ಇಂಟರ್ನಲ್ ಥ್ರೆಡ್
2. ಸ್ಕ್ವೇರ್ ಥ್ರೆಡ್
3. BSW ಥ್ರೆಡ್
4. ನಕಲ್ ಥ್ರೆಡ್

**Options :**

485584138469. 1  
485584138470. 2  
485584138471. 3  
485584138472. 4

**Question Number : 114 Question Id : 48558434619 Question Type : MCQ Option Shuffling : No Is Question Mandatory : No Calculator : None Response Time : N.A Think Time : N.A Minimum Instruction Time : 0**

**Correct Marks : 5 Wrong Marks : 1**

**Question Key Details :**

Key	Value
Comprehension	MCQ

The total length of a bolt does not include its \_\_\_\_\_.

1. shank length
2. threaded length
3. head thickness / head height
4. non-threaded length

**Options :**

485584138473. 1

485584138474. 2

485584138475. 3

485584138476. 4

**Question Number : 114 Question Id : 48558434619 Question Type : MCQ Option Shuffling : No Is Question Mandatory : No Calculator : None Response Time : N.A Think Time : N.A Minimum Instruction Time : 0**

**Correct Marks : 5 Wrong Marks : 1**

**Question Key Details :**

Key	Value
Comprehension	MCQ

ಬೋಲ್ಟ್‌ನ ಒಟ್ಟಾರೆ ಉದ್ದವು \_\_\_\_\_ ವನ್ನು ಒಳಗೊಂಡಿರುವುದಿಲ್ಲ.

1. ಶಾಕ್‌ನ ಉದ್ದ
2. ಥ್ರೆಡ್‌ಡ್ ಉದ್ದ
3. ಹೆಡ್ ಎತ್ತರ/ಹೆಡ್‌ನ ದಪ್ಪ
4. ನಾನ್ ಥ್ರೆಡ್‌ಡ್ ಉದ್ದ

**Options :**

485584138473. 1

485584138474. 2

485584138475. 3

485584138476. 4

**Question Number : 115 Question Id : 48558434620 Question Type : MCQ Option Shuffling : No Is Question Mandatory : No Calculator : None Response Time : N.A Think Time : N.A Minimum Instruction Time : 0**

**Correct Marks : 5 Wrong Marks : 1**

**Question Key Details :**

Key	Value
Comprehension	MCQ

\_\_\_\_\_ is the diameter of the chamfered circle of a square nut used for bolt of size M30.

1. 40 mm
2. 60 mm
3. 30 mm
4. 45 mm

**Options :**

485584138477. 1  
485584138478. 2  
485584138479. 3  
485584138480. 4

**Question Number : 115 Question Id : 48558434620 Question Type : MCQ Option Shuffling : No Is Question Mandatory : No Calculator : None Response Time : N.A Think Time : N.A Minimum Instruction Time : 0**

**Correct Marks : 5 Wrong Marks : 1**

**Question Key Details :**

Key	Value
Comprehension	MCQ

\_\_\_\_\_ ಮಿ.ಮೀ. M30 ಗಾತ್ರದ ಬೋಲ್ಟ್‌ಗಾಗಿ ಬಳಸುವ ಚೌಕಾಕಾರದ ನಟ್‌ನ ಚೇಂಫರ್ಡ್ ವೃತ್ತದ ವ್ಯಾಸವಾಗಿದೆ.

1. 40
2. 60
3. 30
4. 45

**Options :**

485584138477. 1  
485584138478. 2  
485584138479. 3  
485584138480. 4

**Question Number : 116 Question Id : 48558434621 Question Type : MCQ Option Shuffling : No Is Question Mandatory : No Calculator : None Response Time : N.A Think Time : N.A Minimum Instruction Time : 0**

**Correct Marks : 5 Wrong Marks : 1**

**Question Key Details :**

Key	Value
Comprehension	MCQ

The value of outer diameter of a plain washer for a bolt of nominal diameter 24 mm is \_\_\_\_\_.

1. 25 mm
2. 3 mm
3. 51 mm
4. 24 mm

**Options :**

485584138481. 1  
485584138482. 2  
485584138483. 3  
485584138484. 4

**Question Number : 116 Question Id : 48558434621 Question Type : MCQ Option Shuffling : No Is Question Mandatory : No Calculator : None Response Time : N.A Think Time : N.A Minimum Instruction Time : 0**

**Correct Marks : 5 Wrong Marks : 1**

**Question Key Details :**

Key	Value
Comprehension	MCQ

ಅತ್ಯಲ್ಪ ವ್ಯಾಸದ 24 ಮಿ.ಮೀ. ಬೋಲ್ಟ್‌ಗೆ ಪ್ಲೇನ್ ವಾಷರ್‌ನ ಹೊರಗಿನ ವ್ಯಾಸದ ಮೌಲ್ಯವು \_\_\_\_\_.

1. 25 mm
2. 3 mm
3. 51 mm
4. 24 mm

**Options :**

485584138481. 1  
485584138482. 2  
485584138483. 3  
485584138484. 4

**Question Number : 117 Question Id : 48558434622 Question Type : MCQ Option Shuffling : No Is Question Mandatory : No Calculator : None Response Time : N.A Think Time : N.A Minimum Instruction Time : 0**

**Correct Marks : 5 Wrong Marks : 1**

**Question Key Details :**

Key	Value
Comprehension	MCQ

In conventional representation of V-thread, the side view shows a complete thick circle representing the \_\_\_\_\_.

1. Crest
2. Root
3. Lead
4. Pitch

**Options :**

485584138485. 1  
485584138486. 2  
485584138487. 3  
485584138488. 4

**Question Number : 117 Question Id : 48558434622 Question Type : MCQ Option Shuffling : No Is Question Mandatory : No Calculator : None Response Time : N.A Think Time : N.A Minimum Instruction Time : 0**

**Correct Marks : 5 Wrong Marks : 1**

**Question Key Details :**

Key	Value
Comprehension	MCQ

V ಥ್ರೆಡ್‌ನ ಸಹಜ ರಚನೆಯಲ್ಲಿ, ಪಾರ್ಶ್ವ ನೋಟವು \_\_\_\_\_ ಅನ್ನು ಸೂಚಿಸುವ ದಪ್ಪ ವೃತ್ತವನ್ನು ತೋರಿಸುತ್ತದೆ.

1. ಕ್ರೆಸ್ಟ್
2. ರೂಟ್
3. ಲೆಡ್ (ಲೀಡ್)
4. ಪಿಚ್

**Options :**

485584138485. 1  
485584138486. 2  
485584138487. 3  
485584138488. 4

**Question Number : 118 Question Id : 48558434623 Question Type : MCQ Option Shuffling : No Is Question Mandatory : No Calculator : None Response Time : N.A Think Time : N.A Minimum Instruction Time : 0**

**Correct Marks : 5 Wrong Marks : 1**

**Question Key Details :**

Key	Value
Comprehension	MCQ

Length of metal end for a Square neck stud of diameter 'd=30 mm' can be \_\_\_\_\_.

1. 15 mm
2. 25 mm
3. 45 mm
4. 60 mm

**Options :**

485584138489. 1  
485584138490. 2  
485584138491. 3  
485584138492. 4

**Question Number : 118 Question Id : 48558434623 Question Type : MCQ Option Shuffling : No Is Question Mandatory : No Calculator : None Response Time : N.A Think Time : N.A Minimum Instruction Time : 0**

**Correct Marks : 5 Wrong Marks : 1**

**Question Key Details :**

Key	Value
Comprehension	MCQ

ವ್ಯಾಸ 'd' = 30 ಮಿ.ಮೀ. ಇರುವ ಸ್ಕ್ವೇರ್‌ನ ನೆಕ್ ಸ್ಟಡ್‌ನ ಲೋಹದ ತುದಿಯ ಉದ್ದವು \_\_\_\_\_ ಆಗಿದೆ.

1. 15 mm
2. 25 mm
3. 45 mm
4. 60 mm

**Options :**

485584138489. 1  
485584138490. 2  
485584138491. 3  
485584138492. 4

**Question Number : 119 Question Id : 48558434624 Question Type : MCQ Option Shuffling : No Is Question Mandatory : No Calculator : None Response Time : N.A Think Time : N.A Minimum Instruction Time : 0**

**Correct Marks : 5 Wrong Marks : 1**

**Question Key Details :**

Key	Value
Comprehension	MCQ



The thickness of collar in a Collar stud of diameter 30 mm is :

1. 30 mm
2. 45 mm
3. 12 mm
4. 20 mm

**Options :**

485584138493. 1  
485584138494. 2  
485584138495. 3  
485584138496. 4

**Question Number : 119 Question Id : 48558434624 Question Type : MCQ Option Shuffling : No Is Question Mandatory : No Calculator : None Response Time : N.A Think Time : N.A Minimum Instruction Time : 0**

**Correct Marks : 5 Wrong Marks : 1**

**Question Key Details :**

Key	Value
Comprehension	MCQ

30 ಮಿ.ಮೀ. ವ್ಯಾಸದ ಕಾಲರ್ ಸ್ವಡ್‌ನಲ್ಲಿನ ಕಾಲರ್‌ನ ದಪ್ಪವು:

1. 30 mm
2. 45 mm
3. 12 mm
4. 20 mm

**Options :**

485584138493. 1  
485584138494. 2  
485584138495. 3  
485584138496. 4

**Question Number : 120 Question Id : 48558434625 Question Type : MCQ Option Shuffling : No Is Question Mandatory : No Calculator : None Response Time : N.A Think Time : N.A Minimum Instruction Time : 0**

**Correct Marks : 5 Wrong Marks : 1**

**Question Key Details :**

Key	Value
Comprehension	MCQ

Rivets are not used in \_\_\_\_\_.

1. a pressure cooker
2. belts
3. a frying pan
4. a wooden stool

**Options :**

485584138497. 1  
485584138498. 2  
485584138499. 3  
485584138500. 4

**Question Number : 120 Question Id : 48558434625 Question Type : MCQ Option Shuffling : No Is Question Mandatory : No Calculator : None Response Time : N.A Think Time : N.A Minimum Instruction Time : 0**

**Correct Marks : 5 Wrong Marks : 1**

**Question Key Details :**

Key	Value
Comprehension	MCQ

ರಿವೆಟ್ಸ್ ಅನ್ನು \_\_\_\_\_ ಗಳಿಗೆ ಬಳಸುವುದಿಲ್ಲ.

1. ಪ್ರೆಷರ್ ಕುಕರ್
2. ಬೆಲ್ಟ್
3. ಫ್ರೈಯಿಂಗ್ ಪ್ಯಾನ್
4. ಉಡನ್ ಸ್ಟೂಲ್ (ಮರದ ಸ್ಟೂಲ್)

**Options :**

485584138497. 1  
485584138498. 2  
485584138499. 3  
485584138500. 4

**Question Number : 121 Question Id : 48558434626 Question Type : MCQ Option Shuffling : No Is Question Mandatory : No Calculator : None Response Time : N.A Think Time : N.A Minimum Instruction Time : 0**

**Correct Marks : 5 Wrong Marks : 1**

**Question Key Details :**

Key	Value
Comprehension	MCQ

In the top view of a vertical Pan Head Rivet of diameter 20mm, \_\_\_\_\_ is the diameter of the outer circle.

1. 20 mm
2. 32 mm
3. 40 mm
4. 25 mm

**Options :**

485584138501. 1  
485584138502. 2  
485584138503. 3  
485584138504. 4

**Question Number : 121 Question Id : 48558434626 Question Type : MCQ Option Shuffling : No Is Question Mandatory : No Calculator : None Response Time : N.A Think Time : N.A Minimum Instruction Time : 0**

**Correct Marks : 5 Wrong Marks : 1**

**Question Key Details :**

Key	Value
Comprehension	MCQ

20 ಮಿ.ಮೀ. ವ್ಯಾಸವನ್ನು ಹೊಂದಿರುವ ಪ್ಯಾನ್ ಹೆಡ್ ರಿವೆಟ್‌ನ ಮೇಲಿನ ನೋಟದಲ್ಲಿ \_\_\_\_\_ ಹೊರಗಿನ ವೃತ್ತದ ವ್ಯಾಸವಾಗಿದೆ.

1. 20 mm
2. 32 mm
3. 40 mm
4. 25 mm

**Options :**

485584138501. 1  
485584138502. 2  
485584138503. 3  
485584138504. 4

**Question Number : 122 Question Id : 48558434627 Question Type : MCQ Option Shuffling : No Is Question Mandatory : No Calculator : None Response Time : N.A Think Time : N.A Minimum Instruction Time : 0**

**Correct Marks : 5 Wrong Marks : 1**

**Question Key Details :**

Key	Value
Comprehension	MCQ

This assembly has an oil hole:

1. Sleeve and cotter joint assembly
2. Turnbuckle joint assembly
3. Bush bearing assembly
4. Open bearing assembly

**Options :**

485584138505. 1  
485584138506. 2  
485584138507. 3  
485584138508. 4

**Question Number : 122 Question Id : 48558434627 Question Type : MCQ Option Shuffling : No Is Question Mandatory : No Calculator : None Response Time : N.A Think Time : N.A Minimum Instruction Time : 0**

**Correct Marks : 5 Wrong Marks : 1**

**Question Key Details :**

Key	Value
Comprehension	MCQ

ಈ ಜೋಡಣೆಯು ಆಯಿಲ್ ಹೋಲ್ ಅನ್ನು ಹೊಂದಿದೆ:

1. ಸ್ಲೀವ್ ಮತ್ತು ಕಾಟರ್ ಜಾಯಿಂಟ್ ಜೋಡಣೆ
2. ಟರ್ನಬುಕ್ಲ್ ಜಾಯಿಂಟ್ ಜೋಡಣೆ
3. ಬುಷ್ ಬೇರಿಂಗ್ ಜೋಡಣೆ
4. ಓಪನ್ ಬೇರಿಂಗ್ ಜೋಡಣೆ

**Options :**

485584138505. 1  
485584138506. 2  
485584138507. 3  
485584138508. 4

**Question Number : 123 Question Id : 48558434628 Question Type : MCQ Option Shuffling : No Is Question Mandatory : No Calculator : None Response Time : N.A Think Time : N.A Minimum Instruction Time : 0**

**Correct Marks : 5 Wrong Marks : 1**

**Question Key Details :**

Key	Value
Comprehension	MCQ

Open Bearing is used for \_\_\_\_\_.

1. vertical shafts
2. shafts rotating at high speed
3. shafts rotating at medium speed
4. zigzag shafts

**Options :**

485584138509. 1  
485584138510. 2  
485584138511. 3  
485584138512. 4

**Question Number : 123 Question Id : 48558434628 Question Type : MCQ Option Shuffling : No Is Question Mandatory : No Calculator : None Response Time : N.A Think Time : N.A Minimum Instruction Time : 0**

**Correct Marks : 5 Wrong Marks : 1**

**Question Key Details :**

Key	Value
Comprehension	MCQ

ಓಪನ್ ಬೇರಿಂಗ್ ಅನ್ನು \_\_\_\_\_ ಗೆ ಬಳಸಲಾಗುತ್ತದೆ.

1. ವರ್ತಿಕಲ್ ಶಾಫ್ಟ್‌ಗಳು
2. ಅತಿವೇಗದಲ್ಲಿ ತಿರುಗುವ ಶಾಫ್ಟ್‌ಗಳು
3. ಮಧ್ಯಮ ವೇಗದಲ್ಲಿ ತಿರುಗುವ ಶಾಫ್ಟ್‌ಗಳು
4. ಜಿಗ್‌ಜಾಗ್ ಶಾಫ್ಟ್

**Options :**

485584138509. 1  
485584138510. 2  
485584138511. 3  
485584138512. 4

**Question Number : 124 Question Id : 48558434629 Question Type : MCQ Option Shuffling : No Is Question Mandatory : No Calculator : None Response Time : N.A Think Time : N.A Minimum Instruction Time : 0**

**Correct Marks : 5 Wrong Marks : 1**

**Question Key Details :**

Key	Value
Comprehension	MCQ

This bearing / joint is useful for higher loads at medium speed:

1. Bush Bearing
2. Open Bearing
3. Gib and Cotter joint
4. Sleeve and Cotter joint

**Options :**

485584138513. 1  
485584138514. 2  
485584138515. 3  
485584138516. 4

**Question Number : 124 Question Id : 48558434629 Question Type : MCQ Option Shuffling : No Is Question Mandatory : No Calculator : None Response Time : N.A Think Time : N.A Minimum Instruction Time : 0**

**Correct Marks : 5 Wrong Marks : 1**

**Question Key Details :**

Key	Value
Comprehension	MCQ

ಮಧ್ಯಮ ವೇಗದಲ್ಲಿ ಹೆಚ್ಚಿನ ಭಾರ/ಹೊರೆಗಳಿಗೆ ಈ ಬೇರಿಂಗ್ ಉಪಯುಕ್ತವಾಗಿದೆ:

1. ಬುಶ್ ಬೇರಿಂಗ್
2. ಓಪನ್ ಬೇರಿಂಗ್
3. ಗಿಬ್ ಮತ್ತು ಕಾಟರ್ ಜಾಯಿಂಟ್
4. ಸ್ಲೀವ್ ಮತ್ತು ಕಾಟರ್ ಜಾಯಿಂಟ್

**Options :**

485584138513. 1  
485584138514. 2  
485584138515. 3  
485584138516. 4

**Question Number : 125 Question Id : 48558434630 Question Type : MCQ Option Shuffling : No Is Question Mandatory : No Calculator : None Response Time : N.A Think Time : N.A Minimum Instruction Time : 0**

**Correct Marks : 5 Wrong Marks : 1**

**Question Key Details :**

Key	Value
Comprehension	MCQ

In a Sleeve and Cotter joint, each rod has \_\_\_\_\_ rectangular hole(s) for the insertion of cotter at right angle to the axis.

1. One
2. Two
3. Three
4. Five

**Options :**

485584138517. 1  
485584138518. 2  
485584138519. 3  
485584138520. 4

**Question Number : 125 Question Id : 48558434630 Question Type : MCQ Option Shuffling : No Is Question Mandatory : No Calculator : None Response Time : N.A Think Time : N.A Minimum Instruction Time : 0**

**Correct Marks : 5 Wrong Marks : 1**

**Question Key Details :**

Key	Value
Comprehension	MCQ

ಸ್ಲೀವ್ ಮತ್ತು ಕಾಟರ್ ಜಾಯಿಂಟ್‌ನಲ್ಲಿ ಪ್ರತಿ ರಾಡ್‌ಗೆ ಅಕ್ಷಕ್ಕೆ ಲಂಬ ಕೋನದಲ್ಲಿ ಕಾಟರ್ ಅನ್ನು ಸೇರಿಸಲು \_\_\_\_\_ ಆಯತಾಕಾರದ ರಂಧ್ರವನ್ನು ಹೊಂದಿರುತ್ತದೆ.

1. ಒಂದು
2. ಎರಡು
3. ಮೂರು
4. ಐದು

**Options :**

485584138517. 1  
485584138518. 2  
485584138519. 3  
485584138520. 4

**Question Number : 126 Question Id : 48558434631 Question Type : MCQ Option Shuffling : No Is Question Mandatory : No Calculator : None Response Time : N.A Think Time : N.A Minimum Instruction Time : 0**

**Correct Marks : 5 Wrong Marks : 1**

**Question Key Details :**

Key	Value
Comprehension	MCQ

A machine part which prevents slacking of the joint besides holding the jaws of the strap from opening wide when the cotter is inserted;

1. Cotter
2. Rod
3. Gib
4. Sleeve

**Options :**

485584138521. 1  
485584138522. 2  
485584138523. 3  
485584138524. 4

**Question Number : 126 Question Id : 48558434631 Question Type : MCQ Option Shuffling : No Is Question Mandatory : No Calculator : None Response Time : N.A Think Time : N.A Minimum Instruction Time : 0**

**Correct Marks : 5 Wrong Marks : 1**

**Question Key Details :**

Key	Value
Comprehension	MCQ

ಕಾಟರ್ ಅನ್ನು ಸೇರಿಸಿದಾಗ ಪಟ್ಟಿಯ ಜಾಸಗಳನ್ನು ಅಗಲವಾಗಿ ತೆರೆಯದಂತೆ ಹಿಡಿದಿಟ್ಟುಕೊಳ್ಳುವುದರ ಜೊತೆಗೆ ಜಾಯಿಂಟ್ ಸಡಿಲಗೊಳ್ಳುವುದನ್ನು ತಡೆಯುವ ಯಂತ್ರದ ಭಾಗ

1. ಕಾಟರ್
2. ರಾಡ್
3. ಗಿಬ್
4. ಸ್ಲೀವ್

**Options :**

485584138521. 1  
485584138522. 2  
485584138523. 3  
485584138524. 4

**Question Number : 127 Question Id : 48558434632 Question Type : MCQ Option Shuffling : No Is Question Mandatory : No Calculator : None Response Time : N.A Think Time : N.A Minimum Instruction Time : 0**

**Correct Marks : 5 Wrong Marks : 1**

**Question Key Details :**

Key	Value
Comprehension	MCQ



In Flange Pipe Joint, if it is mentioned SQ Headed Bolt MS-4 OFF. What is the meaning of 4 OFF ?

1. Four number of bolt.
2. Four types of bolt.
3. Four mm length of bolt.
4. Four mm thickness of bolt.

**Options :**

485584138525. 1  
485584138526. 2  
485584138527. 3  
485584138528. 4

**Question Number : 127 Question Id : 48558434632 Question Type : MCQ Option Shuffling : No Is Question Mandatory : No Calculator : None Response Time : N.A Think Time : N.A Minimum Instruction Time : 0**

**Correct Marks : 5 Wrong Marks : 1**

**Question Key Details :**

Key	Value
Comprehension	MCQ

ಫ್ಲೇಂಜ್ ಪೈಪ್ ಜಾಯಿಂಟ್‌ನಲ್ಲಿ, SQ ಹೆಡೆಡ್ ಬೋಲ್ಡ್ MS-4 OFF ಎಂಜು ನಮೂದಿಸಿದ್ದರೆ 4 OFF ಎಂಬುದರ ಅರ್ಥವೇನು?

1. ನಾಲ್ಕು ಸಂಖ್ಯೆಯ ಬೋಲ್ಡ್
2. ನಾಲ್ಕು ವಿಧದ ಬೋಲ್ಡ್
3. ನಾಲ್ಕು ಮಿ.ಮೀ. ಉದ್ದದ ಬೋಲ್ಡ್
4. ನಾಲ್ಕು ಮಿ.ಮೀ. ದಪ್ಪದ ಬೋಲ್ಡ್

**Options :**

485584138525. 1  
485584138526. 2  
485584138527. 3  
485584138528. 4

**Question Number : 128 Question Id : 48558434633 Question Type : MCQ Option Shuffling : No Is Question Mandatory : No Calculator : None Response Time : N.A Think Time : N.A Minimum Instruction Time : 0**

**Correct Marks : 5 Wrong Marks : 1**

**Question Key Details :**

Key	Value
Comprehension	MCQ

In Turnbuckle joint, the two rods have \_\_\_\_\_ screw threads.

1. Opposite hand external
2. Opposite hand internal
3. Both external RH
4. Both internal LH

**Options :**

485584138529. 1  
485584138530. 2  
485584138531. 3  
485584138532. 4

**Question Number : 128 Question Id : 48558434633 Question Type : MCQ Option Shuffling : No Is Question Mandatory : No Calculator : None Response Time : N.A Think Time : N.A Minimum Instruction Time : 0**

**Correct Marks : 5 Wrong Marks : 1**

**Question Key Details :**

Key	Value
Comprehension	MCQ

ಟರ್ನಬುಕಲ್ ಜಾಯಿಂಟ್‌ನಲ್ಲಿ ಎರಡು ರಾಡ್‌ಗಳು \_\_\_\_\_ ಸೂಕ್ತ ಧೃಡಗಳನ್ನು ಹೊಂದಿರುತ್ತವೆ.

1. ಬಾಹ್ಯ ವಿರುದ್ಧ ಹ್ಯಾಂಡ್ (Opposite hand external)
2. ಆಂತರಿಕ ವಿರುದ್ಧ ಹ್ಯಾಂಡ್ (Opposite hand internal)
3. ಎರಡೂ ಬಾಹ್ಯ RH
4. ಎರಡೂ ಆಂತರಿಕ LH

**Options :**

485584138529. 1  
485584138530. 2  
485584138531. 3  
485584138532. 4

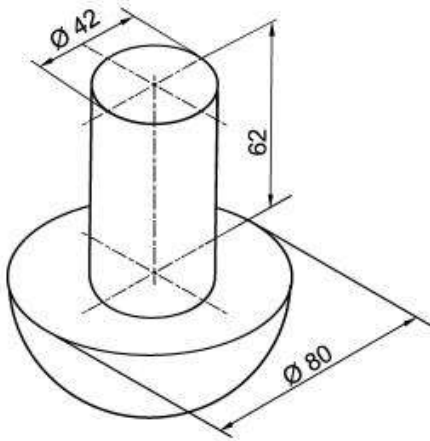
**Question Number : 129 Question Id : 48558434634 Question Type : MCQ Option Shuffling : No Is Question Mandatory : No Calculator : None Response Time : N.A Think Time : N.A Minimum Instruction Time : 0**

**Correct Marks : 5 Wrong Marks : 1**

**Question Key Details :**

Key	Value
Comprehension	MCQ

Identify the **correct** statements for the given figure:



- A. Axes of both solids are perpendicular to H.P.
- B. Axis of cylinder is perpendicular to V.P. and axis of hemisphere is perpendicular to H.P.
- C. A vertical cylinder is resting on the circular face of a hemisphere.
- D. A hemisphere is resting on a cylinder.
- E. A horizontal cylinder is resting on a hemisphere.

Choose the **correct** answer from the options given below:

- 1. B and E only
- 2. A and D only
- 3. D and E only
- 4. A and C only

**Options :**

- 485584138533. 1
- 485584138534. 2
- 485584138535. 3
- 485584138536. 4

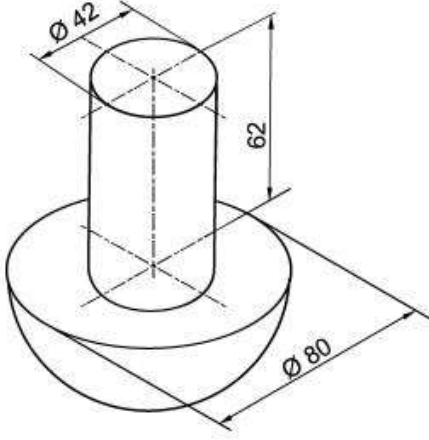
**Question Number : 129 Question Id : 48558434634 Question Type : MCQ Option Shuffling : No Is Question Mandatory : No Calculator : None Response Time : N.A Think Time : N.A Minimum Instruction Time : 0**

**Correct Marks : 5 Wrong Marks : 1**

**Question Key Details :**

Key	Value
Comprehension	MCQ

ಕೊಟ್ಟಿರುವ ಚಿತ್ರಕ್ಕೆ ಸರಿಯಾದ ಹೇಳಿಕೆಗಳನ್ನು ಗುರುತಿಸಿ.



- A. ಎರಡೂ ಘನಗಳ ಅಕ್ಷವು HP ಗೆ ಲಂಬವಾಗಿದೆ.
- B. ಸಿಲಿಂಡರ್‌ನ ಅಕ್ಷವು VP ಗೆ ಲಂಬವಾಗಿದೆ ಮತ್ತು ಅರ್ಧಗೋಳದ ಅಕ್ಷವು HP ಗೆ ಲಂಬವಾಗಿದೆ.
- C. ಲಂಬ ಸಿಲಿಂಡರ್‌ನ ಅಕ್ಷವು ಅರ್ಧಗೋಳದ ವೃತ್ತದ ಮುಖದ ಮೇಲೆ ನಿಂತಿದೆ
- D. ಅರ್ಧ ಗೋಳವು ಸಿಲಿಂಡರ್ ಮೇಲೆ ನಿಂತಿದೆ
- E. ಸಮಾಂತರ ಸಿಲಿಂಡರ್‌ನ ಅಕ್ಷವು ಅರ್ಧ ಗೋಳದ ಮೇಲೆ ನಿಂತಿದೆ

ಈ ಕೆಳಗಿನ ಆಯ್ಕೆಗಳಿಂದ ಸರಿಯಾದ ಉತ್ತರವನ್ನು ಆರಿಸಿ:

- 1. B ಮತ್ತು E ಮಾತ್ರ
- 2. A ಮತ್ತು D ಮಾತ್ರ
- 3. D ಮತ್ತು E ಮಾತ್ರ
- 4. A ಮತ್ತು C ಮಾತ್ರ

**Options :**

- 485584138533. 1
- 485584138534. 2
- 485584138535. 3
- 485584138536. 4

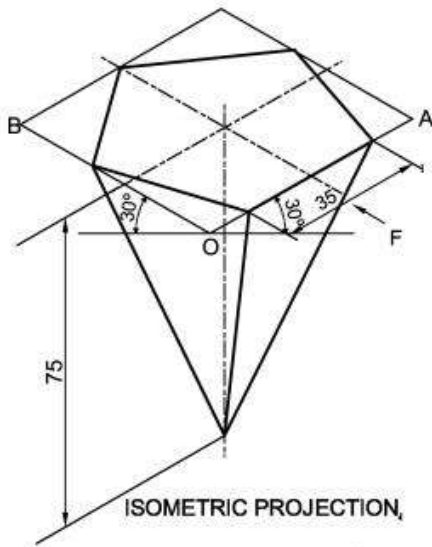
**Question Number : 130 Question Id : 48558434635 Question Type : MCQ Option Shuffling : No Is Question Mandatory : No Calculator : None Response Time : N.A Think Time : N.A Minimum Instruction Time : 0**

**Correct Marks : 5 Wrong Marks : 1**

**Question Key Details :**

Key	Value
Comprehension	MCQ

Identify the **correct** statements for the given figure:



- A. A pentagonal prism is resting on H.P. on its base.
- B. Axis of pyramid is perpendicular to V.P.
- C. Axis of pyramid is perpendicular to H.P.
- D. A pentagonal pyramid is resting on H.P. on its apex.
- E. Length of its axis is 35 mm.

Choose the **correct** answer from the options given below:

- 1. A and B only
- 2. C and D only
- 3. B and E only
- 4. A and C only

**Options :**

- 485584138537. 1
- 485584138538. 2
- 485584138539. 3
- 485584138540. 4

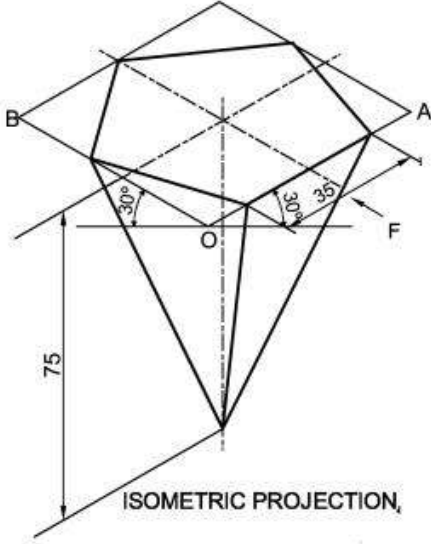
**Question Number : 130 Question Id : 48558434635 Question Type : MCQ Option Shuffling : No Is Question Mandatory : No Calculator : None Response Time : N.A Think Time : N.A Minimum Instruction Time : 0**

**Correct Marks : 5 Wrong Marks : 1**

**Question Key Details :**

Key	Value
Comprehension	MCQ

ಕೊಟ್ಟಿರುವ ಚಿತ್ರಕ್ಕೆ ಸರಿಯಾದ ಹೇಳಿಕೆ ಗುರುತಿಸಿ.



- A. ಪಂಚಭುಜಾಕೃತಿ ಪ್ರಿಸಂ ತನ್ನ ಪಾದದ ಮೇಲೆ HP ಮೇಲೆ ನಿಂತಿದೆ.
- B. ಪಿರಮಿಡ್‌ನ ಅಕ್ಷವು VP ಗೆ ಲಂಬವಾಗಿದೆ.
- C. ಪಿರಮಿಡ್‌ನ ಅಕ್ಷವು HP ಗೆ ಲಂಬವಾಗಿದೆ.
- D. ಪಂಚಭುಜಾಕೃತಿ ಪಿರಮಿಡ್ ತನ್ನ ತುದಿಯಲ್ಲಿ HP ಮೇಲೆ ನಿಂತಿದೆ.
- E. ಅಕ್ಷದ ಉದ್ದ 35 ಮಿ.ಮೀ.

ಈ ಕೆಳಗಿನ ಆಯ್ಕೆಗಳಿಂದ ಸರಿಯಾದ ಉತ್ತರವನ್ನು ಆರಿಸಿ:

- 1. A ಮತ್ತು B ಮಾತ್ರ
- 2. C ಮತ್ತು D ಮಾತ್ರ
- 3. B ಮತ್ತು E ಮಾತ್ರ
- 4. A ಮತ್ತು C ಮಾತ್ರ

**Options :**

- 485584138537. 1
- 485584138538. 2
- 485584138539. 3
- 485584138540. 4

**Question Number : 131 Question Id : 48558434636 Question Type : MCQ Option Shuffling : No Is Question Mandatory : No Calculator : None Response Time : N.A Think Time : N.A Minimum Instruction Time : 0**

**Correct Marks : 5 Wrong Marks : 1**

**Question Key Details :**

Key	Value
Comprehension	MCQ

Identify the **correct** statements for Isometric Projection of a Sphere:

- A. Its diameter is foreshortened.
- B. Its isometric projection appears as circle.
- C. Its isometric projection is drawn by taking an angle of  $60^\circ$  with the horizontal reference line.
- D. Its diameter is drawn using true scale.
- E. Its isometric projection appears as hemisphere.

Choose the **correct** answer from the options given below:

- 1. B and D only
- 2. B and C only
- 3. A and D only
- 4. A and E only

**Options :**

- 485584138541. 1
- 485584138542. 2
- 485584138543. 3
- 485584138544. 4

**Question Number : 131 Question Id : 48558434636 Question Type : MCQ Option Shuffling : No Is Question Mandatory : No Calculator : None Response Time : N.A Think Time : N.A Minimum Instruction Time : 0**

**Correct Marks : 5 Wrong Marks : 1**

**Question Key Details :**

Key	Value
Comprehension	MCQ

ಗೋಳದ ಐಸೋಮೆಟ್ರಿಕ್ ಪ್ರೊಜೆಕ್ಷನ್ ಚಿತ್ರಿಸಬೇಕಾದ ಸರಿಯಾದ ಹೇಳಿಕೆಗಳನ್ನು ಗುರುತಿಸಿ:

- A. ಇದರ ಗಾತ್ರವನ್ನು ಕಡಿಮೆ ಮಾಡಲಾಗಿದೆ.
- B. ಇದರ ಐಸೋಮೆಟ್ರಿಕ್ ಪ್ರೊಜೆಕ್ಷನ್ ವೃತ್ತದಂತೆ ತೋರುತ್ತದೆ.
- C. ಐದರ ಐಸೋಮೆಟ್ರಿಕ್ ಪ್ರೊಜೆಕ್ಷನ್ ಅನ್ನು ಸಮತಲದೊಂದಿಗೆ  $60^\circ$  ಕೋನವನ್ನು ತೆಗೆದುಕೊಳ್ಳುವ ಮೂಲಕ ಎಳೆಯಲಾಗುತ್ತದೆ.
- D. ಇದರ ವ್ಯಾಸವನ್ನು ಟ್ರೂ ಸ್ಕೇಲ್ ಬಳಸಿ ಎಳೆಯಲಾಗುತ್ತದೆ.
- E. ಇದರ ಐಸೋಮೆಟ್ರಿಕ್ ಪ್ರೊಜೆಕ್ಷನ್ ಅರ್ಧಗೋಳದಂತೆ ತೋರುತ್ತದೆ.

ಈ ಕೆಳಗಿನ ಆಯ್ಕೆಗಳಿಂದ ಸರಿಯಾದ ಉತ್ತರವನ್ನು ಆರಿಸಿ:

- 1. B ಮತ್ತು D ಮಾತ್ರ
- 2. B ಮತ್ತು C ಮಾತ್ರ
- 3. A ಮತ್ತು D ಮಾತ್ರ
- 4. A ಮತ್ತು E ಮಾತ್ರ

**Options :**

- 485584138541. 1
- 485584138542. 2

485584138543. 3

485584138544. 4

**Question Number : 132 Question Id : 48558434637 Question Type : MCQ Option Shuffling : No Is Question Mandatory : No Calculator : None Response Time : N.A Think Time : N.A Minimum Instruction Time : 0**

**Correct Marks : 5 Wrong Marks : 1**

**Question Key Details :**

Key	Value
Comprehension	MCQ

Identify the **correct** statements for the Screw threads:

- A. A square thread of nominal diameter = 30 mm and Pitch = 6 mm is designated as K 30 × 6.
- B. Knuckle threads are used on necks of glass bottles.
- C. Square threads offers less frictional resistance.
- D. The angle between flanks of metric thread is 55°.
- E. The flanks of B.S.W. thread are equally rounded at both crest and root.

Choose the **correct** answer from the options given below:

- 1. A, B and C only
- 2. B, C and D only
- 3. C, D and E only
- 4. B, C and E only

**Options :**

485584138545. 1

485584138546. 2

485584138547. 3

485584138548. 4

**Question Number : 132 Question Id : 48558434637 Question Type : MCQ Option Shuffling : No Is Question Mandatory : No Calculator : None Response Time : N.A Think Time : N.A Minimum Instruction Time : 0**

**Correct Marks : 5 Wrong Marks : 1**

**Question Key Details :**

Key	Value
Comprehension	MCQ



ಸೂ್ಯ ಧೈಡ್‌ಗಳ ಮೇಲೆ ಸರಿಯಾದ ಹೇಳಿಕೆಗಳನ್ನು ಗುರುತಿಸಿ.

- A. ಅತ್ಯಲ್ಪ ವ್ಯಾಸ = 30 ಮಿ.ಮೀ. ಮತ್ತು ಪಿಚ್ = 6 ಮಿ.ಮೀ. ಇರುವ ಚೌಕೀಯ ಧೈಡ್ ಅನ್ನು  $K 30 \times 6$  ಎಂದು ಗೊತ್ತುಮಾಡಲಾಗಿದೆ.
- B. ಗಾಜಿನ ಬಾಟಲ್‌ಗಳ ನೆಕ್ ಮೇಲೆ ನಕಲ್ ಧೈಡ್ ಅನ್ನು ಬಳಸಲಾಗುತ್ತದೆ.
- C. ಚೌಕೀಯ ಧೈಡ್‌ಗಳು V- ಧೈಡ್‌ಗಿಂತ ಕಡಿಮೆ ಘರ್ಷಣೆಯ ಪ್ರತಿರೋಧವನ್ನು ನೀಡುತ್ತವೆ.
- D. ಮೆಟ್ರಿಕ್ ಧೈಡ್‌ನ ಪ್ಲಾಂಕ್‌ಗಳ ನಡುವಿನ ಕೋನ  $55^\circ$  ಇರುತ್ತದೆ.
- E. BSW ಧೈಡ್ ಪ್ಲಾಂಕ್‌ಗಳು ಕ್ರೆಸ್ಪ್ ಮತ್ತು ರೂಟ್ ಎರಡರಲ್ಲೂ ಸಮಾನವಾಗಿ ದುಂಡಾಗಿರುತ್ತದೆ.

ಈ ಕೆಳಗಿನ ಆಯ್ಕೆಗಳಿಂದ ಸರಿಯಾದ ಉತ್ತರವನ್ನು ಆರಿಸಿ:

- 1. A, B ಮತ್ತು C ಮಾತ್ರ
- 2. B, C ಮತ್ತು D ಮಾತ್ರ
- 3. C, D ಮತ್ತು E ಮಾತ್ರ
- 4. B, C ಮತ್ತು E ಮಾತ್ರ

**Options :**

- 485584138545. 1
- 485584138546. 2
- 485584138547. 3
- 485584138548. 4

**Question Number : 133 Question Id : 48558434638 Question Type : MCQ Option Shuffling : No Is Question Mandatory : No Calculator : None Response Time : N.A Think Time : N.A Minimum Instruction Time : 0**

**Correct Marks : 5 Wrong Marks : 1**

**Question Key Details :**

Key	Value
Comprehension	MCQ

Identify the **correct** statements for Stud:

- A. Stud is a permanent fastener.
- B. A stud is a cylindrical rod, having threads on both ends.
- C. It has internal thread.
- D. It is always used with cotter.
- E. It is used where there is no place for the bolt head.

Choose the **correct** answer from the options given below:

- 1. A and E only
- 2. B and E only
- 3. D and E only
- 4. B and D only

**Options :**

- 485584138549. 1
- 485584138550. 2

485584138551. 3

485584138552. 4

**Question Number : 133 Question Id : 48558434638 Question Type : MCQ Option Shuffling : No Is Question Mandatory : No Calculator : None Response Time : N.A Think Time : N.A Minimum Instruction Time : 0**

**Correct Marks : 5 Wrong Marks : 1**

**Question Key Details :**

Key	Value
Comprehension	MCQ

ಸ್ವಡ್ಗೆ ಸಂಬಂಧಿಸಿದಂತೆ ಕೆಲವು ಅಂಶಗಳನ್ನು ನೀಡಲಾಗಿದೆ.

- A. ಸ್ವಡ್ ಎಂಬುದು ಶಾಶ್ವತ ಬಿಗಿಯಾದ ಬೋಲ್ಡ್.
- B. ಸ್ವಡ್ ಎಂಬುದು ಎರಡು ತುದಿಗಳಲ್ಲಿ ಧ್ವಡ್ ಇರುವ ಸಿಲಿಂಡರ್ ಆಕಾರದ ರಾಡ್.
- C. ಇದು ಅಂತರ್ ಧ್ವಡ್ ಒಳಗೊಂಡಿದೆ.
- D. ಇದನ್ನು ಕಾಟರ್ ಜೊತೆಗೆ ಯಾವಾಗಲೂ ಬಳಸುತ್ತಾರೆ.
- E. ಇದನ್ನು ಎಲ್ಲಿ ಬೋಲ್ಡ್ ಹೆಡ್ಗೆ ಸ್ವಡ್ ವಿರುವುದಿಲ್ಲವೋ ಅವಾಗ ಬಳಸುತ್ತಾರೆ.

ಈ ಕೆಳಗಿನ ಆಯ್ಕೆಗಳಿಂದ ಸರಿಯಾದ ಉತ್ತರವನ್ನು ಆರಿಸಿ:

- 1. A ಮತ್ತು E ಮಾತ್ರ
- 2. B ಮತ್ತು E ಮಾತ್ರ
- 3. D ಮತ್ತು E ಮಾತ್ರ
- 4. B ಮತ್ತು D ಮಾತ್ರ

**Options :**

485584138549. 1

485584138550. 2

485584138551. 3

485584138552. 4

**Question Number : 134 Question Id : 48558434639 Question Type : MCQ Option Shuffling : No Is Question Mandatory : No Calculator : None Response Time : N.A Think Time : N.A Minimum Instruction Time : 0**

**Correct Marks : 5 Wrong Marks : 1**

**Question Key Details :**

Key	Value
Comprehension	MCQ

Identify the **correct** statements for a Gib and Cotter joint:

- A. The Gib has the same thickness as that of the Cotter.
- B. Two cotters are used in this joint.
- C. Cotter is made of plastic.
- D. Cotter is used in conjunction with Gib.
- E. Rods are of circular shape in this joint.

Choose the **correct** answer from the options given below:

- 1. A and B only
- 2. A and C only
- 3. A and D only
- 4. D and E only

**Options :**

- 485584138553. 1
- 485584138554. 2
- 485584138555. 3
- 485584138556. 4

**Question Number : 134 Question Id : 48558434639 Question Type : MCQ Option Shuffling : No Is Question Mandatory : No Calculator : None Response Time : N.A Think Time : N.A Minimum Instruction Time : 0**

**Correct Marks : 5 Wrong Marks : 1**

**Question Key Details :**

Key	Value
Comprehension	MCQ

ಗಿಬ್ ಮತ್ತು ಕಾಟರ್ ಜಾಯಿಂಟ್‌ಗೆ ಸಂಬಂಧಿಸಿದಂತೆ ಸರಿಯಾದ ಹೇಳಿಕೆಗಳನ್ನು ಗುರುತಿಸಿ:

- A. ಗಿಬ್ ಜಾಯಿಂಟ್ ಕಾಟರ್ ಜಾಯಿಂಟ್‌ನಷ್ಟು ಒಂದೇ ದಪ್ಪವನ್ನು ಹೊಂದಿದೆ.
- B. ಕಾಟರ್ ಅನ್ನು ಪ್ಲಾಸ್ಟಿಕ್‌ನಿಂದ ಮಾಡಲಾಗಿದೆ.
- C. ಕಾಟರ್ ಅನ್ನು ಪ್ಲಾಸ್ಟಿಕ್‌ನಿಂದ ಮಾಡಲಾಗಿದೆ.
- D. ಕಾಟರ್ ಅನ್ನು ಗಿಬ್ ನೊಂದಿಗಿನ ಸಂಯೋಜನೆಯೊಂದಿಗೆ ಬಳಸಲಾಗುತ್ತದೆ
- E. ರಾಡ್‌ಗಳು ವೃತ್ತೀಯ ಆಕಾರದಲ್ಲಿ ಇರುತ್ತವೆ.

ಈ ಕೆಳಗಿನ ಆಯ್ಕೆಗಳಿಂದ ಸರಿಯಾದ ಉತ್ತರವನ್ನು ಆರಿಸಿ:

- 1. A ಮತ್ತು B ಮಾತ್ರ
- 2. A ಮತ್ತು C ಮಾತ್ರ
- 3. A ಮತ್ತು D ಮಾತ್ರ
- 4. D ಮತ್ತು E ಮಾತ್ರ

**Options :**

- 485584138553. 1
- 485584138554. 2
- 485584138555. 3

**Question Number : 135 Question Id : 48558434640 Question Type : MCQ Option Shuffling : No Is Question Mandatory : No Calculator : None Response Time : N.A Think Time : N.A Minimum Instruction Time : 0**

**Correct Marks : 5 Wrong Marks : 1**

**Question Key Details :**

Key	Value
Comprehension	MCQ

Match List I with List II

LIST I		LIST II	
A.	Isometric projection	I.	Angle between two principal planes is $90^\circ$ .
B.	Dimetric projection	II.	All the angles between principal axes are unequal and not less than $90^\circ$ .
C.	Trimetric projection	III.	All the angles between principal axes are equal.
D.	Orthographic projection	IV.	Only two angles between three principal axes are equal.

Choose the **correct** answer from the options given below:

1. A-III, B-IV, C-II, D-I
2. A-I, B-II, C-III, D-IV
3. A-II, B-III, C-IV, D-I
4. A-IV, B-II, C-III, D-I

**Options :**

485584138557. 1  
 485584138558. 2  
 485584138559. 3  
 485584138560. 4

**Question Number : 135 Question Id : 48558434640 Question Type : MCQ Option Shuffling : No Is Question Mandatory : No Calculator : None Response Time : N.A Think Time : N.A Minimum Instruction Time : 0**

**Correct Marks : 5 Wrong Marks : 1**

**Question Key Details :**

Key	Value
Comprehension	MCQ

ಪಟ್ಟಿ - I ಅನ್ನು ಪಟ್ಟಿ - IIರ ಜೊತೆ ಹೊಂದಿಸಿ.

ಪಟ್ಟಿ - I		ಪಟ್ಟಿ - II	
A.	ಐಸೋಮೆಟ್ರಿಕ್ ಪ್ರೊಜೆಕ್ಷನ್	I.	ಪ್ರಧಾನ ಸಮತಲಗಳ ನಡುವಿನ ಕೋನ $90^\circ$ ಆಗಿದೆ
B.	ಡೈಮೆಟ್ರಿಕ್ ಪ್ರೊಜೆಕ್ಷನ್	II.	ಎಲ್ಲ ಮೂರು ಕೋನಗಳು ಅಸಮಾನವಾಗಿ $90^\circ$ ಗೆ ಕಡಿಮೆ ಇಲ್ಲದಂತೆ ಇರುತ್ತವೆ.
C.	ಟ್ರೈಮೆಟ್ರಿಕ್ ಪ್ರೊಜೆಕ್ಷನ್	III.	ಪ್ರಧಾನ ಅಕ್ಷಗಳ ನಡುವಿನ ಎವ್ವಾ ಕೋನಗಳು ಸಮವಾಗಿವೆ
D.	ಆರ್ಥೋಗ್ರಾಫಿಕ್ ಪ್ರೊಜೆಕ್ಷನ್	IV.	ಮೂರು ಪ್ರಧಾನ ಅಕ್ಷಗಳ ನಡುವಿನ ಎರಡು ಕೋನಗಳು ಮಾತ್ರ ಸಮವಾಗಿವೆ

ಈ ಕೆಳಗಿನ ಆಯ್ಕೆಗಳಿಂದ ಸರಿಯಾದ ಉತ್ತರವನ್ನು ಆರಿಸಿ:

1. A-III, B-IV, C-II, D-I
2. A-I, B-II, C-III, D-IV
3. A-II, B-III, C-IV, D-I
4. A-IV, B-II, C-III, D-I

**Options :**

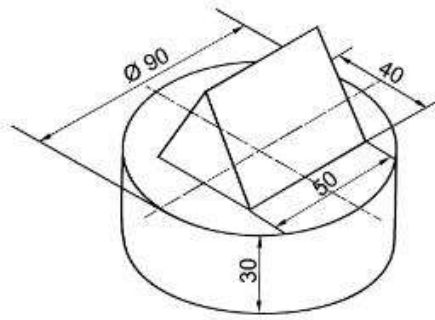
485584138557. 1  
485584138558. 2  
485584138559. 3  
485584138560. 4

**Question Number : 136 Question Id : 48558434641 Question Type : MCQ Option Shuffling : No Is Question Mandatory : No Calculator : None Response Time : N.A Think Time : N.A Minimum Instruction Time : 0**

**Correct Marks : 5 Wrong Marks : 1**

**Question Key Details :**

Key	Value
Comprehension	MCQ



Match List I with List II on the basis of the given figure.

LIST I		LIST II	
A.	Bottom Solid.	I.	Vertical
B.	Top solid.	II.	Horizontal
C.	Axis of top solid.	III.	Equilateral Triangular Prism
D.	Axis of bottom solid.	IV.	Circular slab

Choose the **correct** answer from the options given below:

1. A-III, B-II, C-I, D-IV
2. A-III, B-II, C-IV, D-I
3. A-I, B-II, C-III, D-IV
4. A-IV, B-III, C-II, D-I

**Options :**

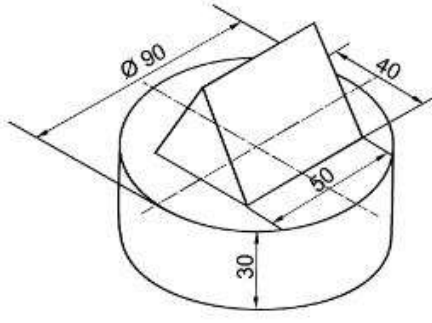
485584138561. 1  
 485584138562. 2  
 485584138563. 3  
 485584138564. 4

**Question Number : 136 Question Id : 48558434641 Question Type : MCQ Option Shuffling : No Is Question Mandatory : No Calculator : None Response Time : N.A Think Time : N.A Minimum Instruction Time : 0**

**Correct Marks : 5 Wrong Marks : 1**

**Question Key Details :**

Key	Value
Comprehension	MCQ



ಚಿತ್ರದ ಆಧಾರದ ಮೇಲೆ ಪಟ್ಟಿ - I ಅನ್ನು ಪಟ್ಟಿ - IIರ ಜೊತೆ ಹೊಂದಿಸಿ.

ಪಟ್ಟಿ - I ಐಸೋಮೆಟ್ರಿಕ್ ಪ್ರೊಜೆಕ್ಷನ್‌ನ ಸಂಯೋಜನೆ ಕೆಳಗೆ ನೀಡಲಾಗಿದೆ		ಪಟ್ಟಿ II	
A.	ಕೆಳಭಾಗದ ಘನ	I.	ಲಂಬ
B.	ಮೇಲಿನ ಘನ	II.	ಸಮಾಂತರ
C.	ಸಮಬಾಹು ತ್ರಿಭುಜ	III.	ಪ್ರಿಸಂ
D.	ವ-ತ್ತೀಯ ಸ್ಕ್ವೇರ್ ಅಕ್ಷ	IV.	ವೃತ್ತೀಯ ಸ್ಕ್ವೇರ್

ಈ ಕೆಳಗಿನ ಆಯ್ಕೆಗಳಿಂದ ಸರಿಯಾದ ಉತ್ತರವನ್ನು ಆರಿಸಿ:

1. A-III, B-II, C-I, D-IV
2. A-II, B-II, C-IV, D-I
3. A-I, B-II, C-III, D-IV
4. A-IV, B-III, C-II, D-I

**Options :**

485584138561. 1  
485584138562. 2  
485584138563. 3  
485584138564. 4

**Question Number : 137 Question Id : 48558434642 Question Type : MCQ Option Shuffling : No Is Question Mandatory : No Calculator : None Response Time : N.A Think Time : N.A Minimum Instruction Time : 0**

**Correct Marks : 5 Wrong Marks : 1**

**Question Key Details :**

Key	Value
Comprehension	MCQ

Match List I with List II

LIST I Hexagonal headed bolt		LIST II (‘d’ is the nominal diameter)	
A.	Thickness of Head	I.	d
B.	Threaded length of shank	II.	0.8d
C.	Radius of arc showing conventional end of the shank in its front view	III.	2d +6
D.	Width across the flats of head	IV.	1.5d+3

Choose the **correct** answer from the options given below:

1. A-II, B-III, C-I, D-IV
2. A-I, B-II, C-III, D-IV
3. A-III, B-IV, C-II, D-I
4. A-IV, B-I, C-II, D-III

**Options :**

485584138565. 1  
485584138566. 2  
485584138567. 3  
485584138568. 4

**Question Number : 137 Question Id : 48558434642 Question Type : MCQ Option Shuffling : No Is Question Mandatory : No Calculator : None Response Time : N.A Think Time : N.A Minimum Instruction Time : 0**

**Correct Marks : 5 Wrong Marks : 1**

**Question Key Details :**

Key	Value
Comprehension	MCQ



ಪಟ್ಟಿ - I ಅನ್ನು ಪಟ್ಟಿ - IIರ ಜೊತೆ ಹೊಂದಿಸಿ.

ಪಟ್ಟಿ - I ( 'd' ಅತ್ಯಲ್ಪ ವ್ಯಾಸ ಹೊಂದಿರುವ ಪದ್ಮಜೀಯ ಹಡೆಡ್ ಬೋಲ್ಡ್ )		ಪಟ್ಟಿ - II	
A.	ಹೆಡ್‌ನ ದಪ್ಪ	I.	d
B.	ಶಾಕ್‌ನ ಧ್ರೆಡೆಡ್ ಉದ್ದ	II.	0.8d
C.	ನಿಯಮಿತ ತುದಿ ತೋರಿಸುವ ಕಂಸದ ತ್ರಿಜ್ಯ	III.	2d +6
D.	ಹೆಡ್‌ನ ಎರಡು ಸಮನಾಂತರ ಮುಖಗಳ ನಡುವಿನ ಪ್ಲಾಟ್‌ಗಳ ಗಾತ್ರ	IV.	1.5d+3

ಈ ಕೆಳಗಿನ ಆಯ್ಕೆಗಳಿಂದ ಸರಿಯಾದ ಉತ್ತರವನ್ನು ಆರಿಸಿ:

1. A-II, B-III, C-I, D-IV
2. A-I, B-II, C-III, D-IV
3. A-III, B-IV, C-II, D-I
4. A-IV, B-I, C-II, D-III

**Options :**

485584138565. 1  
485584138566. 2  
485584138567. 3  
485584138568. 4

**Question Number : 138 Question Id : 48558434643 Question Type : MCQ Option Shuffling : No Is Question Mandatory : No Calculator : None Response Time : N.A Think Time : N.A Minimum Instruction Time : 0**

**Correct Marks : 5 Wrong Marks : 1**

**Question Key Details :**

Key	Value
Comprehension	MCQ

Match List I with List II

LIST I		LIST II	
A.	B.S.W. Thread	I.	Semicircles on opposite side
B.	Metric External Thread	II.	Both crest and root are flat
C.	Square Thread	III.	Rounded equally at root and crest
D.	Knuckle Thread	IV.	Crest flat and root rounded

Choose the **correct** answer from the options given below:

1. A-I, B-II, C-III, D-IV
2. A-IV, B-III, C-I, D-II
3. A-III, B-IV, C-II, D-I
4. A-II, B-III, C-I, D-IV

**Options :**

485584138569. 1  
485584138570. 2  
485584138571. 3  
485584138572. 4

**Question Number : 138 Question Id : 48558434643 Question Type : MCQ Option Shuffling : No Is Question Mandatory : No Calculator : None Response Time : N.A Think Time : N.A Minimum Instruction Time : 0**

**Correct Marks : 5 Wrong Marks : 1**

**Question Key Details :**

Key	Value
Comprehension	MCQ

ಪಟ್ಟಿ - I ಅನ್ನು ಪಟ್ಟಿ - IIರ ಜೊತೆ ಹೊಂದಿಸಿ.

ಪಟ್ಟಿ - I		ಪಟ್ಟಿ - II	
A.	BSW ಧೃಡ	I.	ಅಭಿಮುಖ ಭಾಗದ ಅರ್ಥವ್ಯತ್ಯಗಳು
B.	ಮೆಟ್ರಿಕ್ ಬಾಹ್ಯ ಧೃಡ	II.	ಕೃಷ್ಣ ಮತ್ತು ರೂಟ್ ಎರಡೂ ಜಕಪ್ಪಟಿಯಾಗಿವೆ
C.	ಸ್ವೀರ್ ಧೃಡ	III.	ರೂಟ್ ಮತ್ತು ಕೃಷ್ಣನಲ್ಲಿ ಸಮಾನವಾಗಿ ದುಂಡಾಗಿವೆ
D.	ನಕಲ್ ಧೃಡ	IV.	ಕೃಷ್ಣ ಫಾಟ್ ಮತ್ತು ರೂಟ್ ದುಂಡಾಗಿವೆ

ಈ ಕೆಳಗಿನ ಆಯ್ಕೆಗಳಿಂದ ಸರಿಯಾದ ಉತ್ತರವನ್ನು ಆರಿಸಿ:

1. A-I, B-II, C-III, D-IV
2. A-IV, B-III, C-I, D-II
3. A-III, B-IV, C-II, D-I
4. A-II, B-III, C-I, D-IV

**Options :**

485584138569. 1  
485584138570. 2  
485584138571. 3  
485584138572. 4

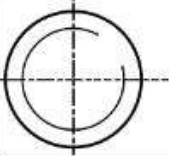

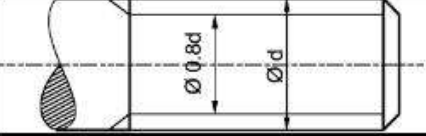
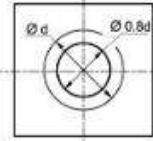
**Question Number : 139 Question Id : 48558434644 Question Type : MCQ Option Shuffling : No Is Question Mandatory : No Calculator : None Response Time : N.A Think Time : N.A Minimum Instruction Time : 0**

**Correct Marks : 5 Wrong Marks : 1**

**Question Key Details :**

Key	Value
Comprehension	MCQ

Match List I with List II

LIST I (Conventional representation of V- thread)		LIST II (Orthographic View)	
A.	External V-thread in the front view	I.	
B.	Internal V-thread in the side view	II.	
C.	External V-thread in the side view	III.	
D.	Internal V-thread in the front view	IV.	

Choose the **correct** answer from the options given below:

1. A-I, B-III, C-II, D-IV
2. A-III, B-IV, C-I, D-II
3. A-II, B-I, C-IV, D-III
4. A-IV, B-II, C-III, D-I

**Options :**

485584138573. 1  
 485584138574. 2  
 485584138575. 3  
 485584138576. 4

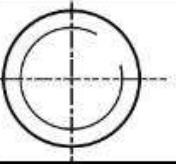

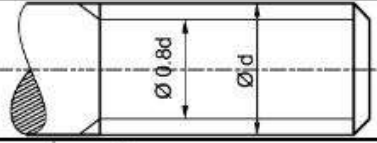
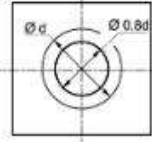
**Question Number : 139 Question Id : 48558434644 Question Type : MCQ Option Shuffling : No Is Question Mandatory : No Calculator : None Response Time : N.A Think Time : N.A Minimum Instruction Time : 0**

**Correct Marks : 5 Wrong Marks : 1**

**Question Key Details :**

Key	Value
Comprehension	MCQ

ಪಟ್ಟಿ - I ಅನ್ನು ಪಟ್ಟಿ - IIರ ಜೊತೆ ಹೊಂದಿಸಿ.

ಪಟ್ಟಿ - I V-ಧ್ರೆಡ್‌ನ ಸ್ವಾಭಾವಿಕ ರಚನೆಗಳು		ಪಟ್ಟಿ - II (ಚಿತ್ರಗಳು)	
A.	ಮುಂಭಾಗದ ನೋಟದಲ್ಲಿ ಬಾಹ್ಯ V-ಧ್ರೆಡ್‌ನ ರಚನೆ	I.	
B.	ಆಂತರಿಕ V- ಧ್ರೆಡ್‌ನ ಪಾರ್ಶ್ವನೋಟ	II.	
C.	ಬಾಹ್ಯ V-ಧ್ರೆಡ್‌ನ ಪಾರ್ಶ್ವನೋಟ	III.	
D.	ಆಂತರಿಕ V- ಧ್ರೆಡ್‌ನ ಮುಂಭಾಗದ ನೋಟ	IV.	

ಈ ಕೆಳಗಿನ ಆಯ್ಕೆಗಳಿಂದ ಸರಿಯಾದ ಉತ್ತರವನ್ನು ಆರಿಸಿ:

1. A-I, B-III, C-II, D-IV
2. A-III, B-IV, C-I, D-II
3. A-II, B-I, C-IV, D-III
4. A-IV, B-II, C-III, D-I

**Options :**

485584138573. 1  
485584138574. 2  
485584138575. 3  
485584138576. 4

**Question Number : 140 Question Id : 48558434645 Question Type : MCQ Option Shuffling : No Is Question Mandatory : No Calculator : None Response Time : N.A Think Time : N.A Minimum Instruction Time : 0**

**Correct Marks : 5 Wrong Marks : 1**

**Question Key Details :**

Key	Value
Comprehension	MCQ

Match List I with List II

LIST I		LIST II	
A.	Turnbuckle Joint	I.	Journal Bearing
B.	Flange Joint	II.	Square Rod Joint
C.	Bush Bearing	III.	Pipe Joint
D.	Gib and Cotter Joint	IV.	Tie-rod Joint

Choose the **correct** answer from the options given below:

1. A-IV, B-III, C-I, D-II
2. A-I, B-II, C-III, D-IV
3. A-II, B-III, C-IV, D-I
4. A-III, B-II, C-IV, D-I

**Options :**

485584138577. 1  
485584138578. 2  
485584138579. 3  
485584138580. 4

**Question Number : 140 Question Id : 48558434645 Question Type : MCQ Option Shuffling : No Is Question Mandatory : No Calculator : None Response Time : N.A Think Time : N.A Minimum Instruction Time : 0**

**Correct Marks : 5 Wrong Marks : 1**

**Question Key Details :**

Key	Value
Comprehension	MCQ

ಪಟ್ಟಿ - I ಅನ್ನು ಪಟ್ಟಿ - IIರ ಜೊತೆ ಹೊಂದಿಸಿ.

ಪಟ್ಟಿ - I		ಪಟ್ಟಿ - II	
A.	ಟರ್ನಬುಕ್ಲ್ ಜಾಯಿಂಟ್	I.	ಜರ್ನಲ್ ಬೇರಿಂಗ್
B.	ಫ್ಲೇಂಜ್ ಜಾಯಿಂಟ್	II.	ಸ್ಕ್ವೇರ್ ರಾಡ್ ಜಾಯಿಂಟ್
C.	ಬುಶ್ ಬೇರಿಂಗ್	III.	ಪೈಪ್ ಜಾಯಿಂಟ್
D.	ಗಿಬ್ ಮತ್ತು ಕಾಟರ್ ಜಾಯಿಂಟ್	IV.	ಟೈ-ರಾಡ್ ಜಾಯಿಂಟ್

ಈ ಕೆಳಗಿನ ಆಯ್ಕೆಗಳಿಂದ ಸರಿಯಾದ ಉತ್ತರವನ್ನು ಆರಿಸಿ:

1. A-IV, B-III, C-I, D-II
2. A-I, B-II, C-III, D-IV
3. A-II, B-III, C-IV, D-I
4. A-III, B-II, C-IV, D-I

**Options :**

485584138577. 1  
485584138578. 2

485584138579. 3

485584138580. 4

Sub-Section Number :

2

Sub-Section Id :

4855842534

Question Shuffling Allowed :

No

Is Section Default? :

null

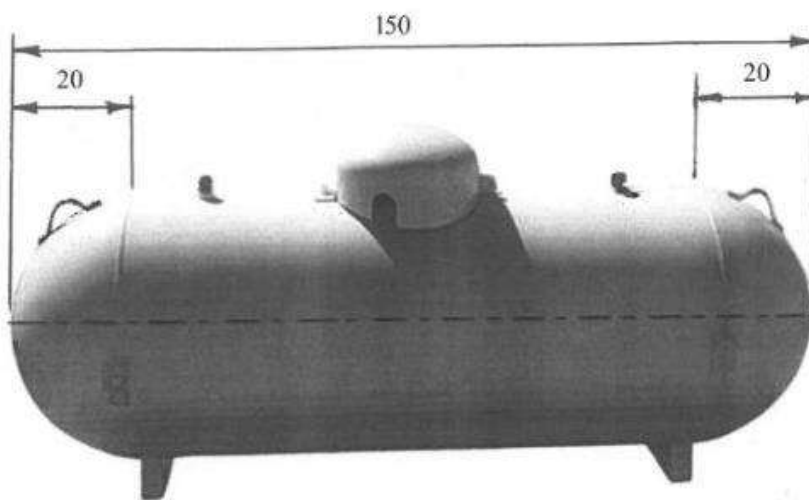
Question Number : 141 Question Id : 48558434646 Question Type : MCQ Option Shuffling : No Is Question Mandatory : No Calculator : None Response Time : N.A Think Time : N.A Minimum Instruction Time : 0

Correct Marks : 5 Wrong Marks : 1

Question Key Details :

Key	Value
Comprehension	Comp1

Read the passage and answer the following question.



Rohan during his industrial visit saw a storage tank which is a combination of different solids he had studied in his class. For preparing his industrial visit report, he clicked pictures and measured dimensions of the tank and other machine parts in the industry. One such picture from his report is shown here (dimensions given are in meters). Ignore the thickness, stands, opening and other branches of the tank and answer the following questions.

The storage tank is the combination of \_\_\_\_\_.

1. two spheres and one cylinder
2. two hemispheres and one cylinder
3. one hemisphere and one cylinder
4. two cones and one cylinder

Options :

485584138581. 1

485584138582. 2

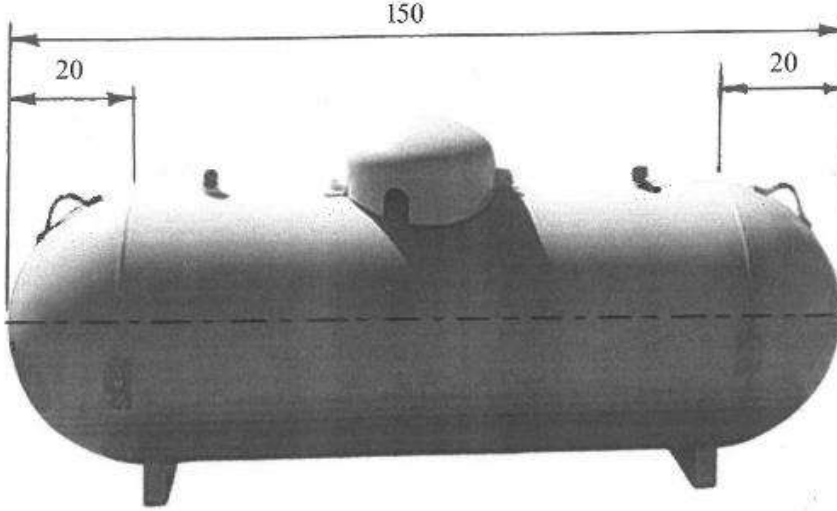
485584138583. 3

485584138584. 4

Question Number : 141 Question Id : 48558434646 Question Type : MCQ Option Shuffling : No Is Question Mandatory : No Calculator : None Response Time : N.A Think Time : N.A Minimum Instruction Time : 0  
 Correct Marks : 5 Wrong Marks : 1  
 Question Key Details :

Key	Value
Comprehension	Compl

ವಾಕ್ಯಪುಂಜವನ್ನು ಓದಿ ಕೆಳಗಿನ ಪ್ರಶ್ನೆಗಳಿಗೆ ಉತ್ತರಿಸಿ.



ರೋಹನ್‌ನು ತನ್ನ ಕೈಗಾರಿಕಾ ಭೇಟಿಯ ಸಮಯದಲ್ಲಿ ತನ್ನ ತರಗತಿಯಲ್ಲಿ ಅಧ್ಯಯನ ಮಾಡಿದ ವಿವಿಧ ಘನವಸ್ತುಗಳ ನಿಯೋಜನೆಯ ಸ್ಟೋರೇಜ್ ಟ್ಯಾಂಕ್ ಅನ್ನು ನೋಡಿದರು. ತನ್ನ ಕೈಗಾರಿಕಾ ಭೇಟಿಯ ವರದಿಯನ್ನು ತಯಾರಿಸಲು ಅವರು ಚಿತ್ರಗಳನ್ನು ಕ್ಲಿಕ್ ಮಾಡಿದರು ಮತ್ತು ತೊಟ್ಟಿಯ ಪರಿಣಾಮಗಳನ್ನು ಮತ್ತು ಉದ್ಯಮದಲ್ಲಿನ ಇತರ ಯಂತ್ರದ ಭಾಗಗಳನ್ನು ಅಳತೆ ಮಾಡಿದನು. ಅವನ ವರದಿಯ ಪ್ರಕಾರ ಅಂತಹ ಒಂದು ಚಿತ್ರವನ್ನು ಇಲ್ಲಿ ತೋರಿಸಲಾಗಿದೆ. (ಪರಿಮಾಣಗಳನ್ನು ಇಲ್ಲಿ ಮೀಟರ್‌ನಲ್ಲಿ ನೀಡಲಾಗಿದೆ). ತೊಟ್ಟಿಯ ದಪ್ಪ, ಸ್ಟಾಂಡ್ಸ್, ಓಪನಿಂಗ್ ಮತ್ತು ಟ್ಯಾಂಕಿನ ಇತರ ಬ್ರಾಂಚ್‌ಗಳನ್ನು ನಿರ್ಲಕ್ಷಿಸಿ ಕೆಳಗಿನ ಪ್ರಶ್ನೆಗಳಿಗೆ ಉತ್ತರಿಸಿ.

ಸ್ಟೋರೇಜ್ ಟ್ಯಾಂಕ್ \_\_\_\_\_ ನ ಸಂಯೋಜನೆಯಾಗಿದೆ.

1. ಎರಡು ಗೋಳಗಳು ಮತ್ತು ಒಂದು ಸಿಲಿಂಡರ್
2. ಎರಡು ಅರ್ಧಗೋಳಗಳು ಮತ್ತು ಒಂದು ಸಿಲಿಂಡರ್
3. ಒಂದು ಅರ್ಧಗೋಳ ಮತ್ತು ಒಂದು ಸಿಲಿಂಡರ್
4. ಎರಡು ಕೋನಗಳು ಮತ್ತು ಒಂದು ಸಿಲಿಂಡರ್

Options :

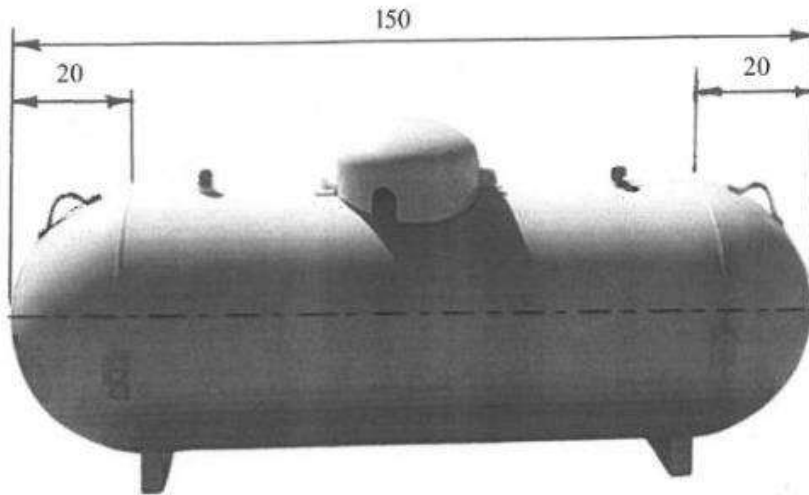
485584138581. 1
485584138582. 2
485584138583. 3
485584138584. 4

Question Number : 142 Question Id : 48558434647 Question Type : MCQ Option Shuffling : No Is Question Mandatory : No Calculator : None Response Time : N.A Think Time : N.A Minimum Instruction Time : 0  
 Correct Marks : 5 Wrong Marks : 1

**Question Key Details :**

Key	Value
Comprehension	Comp1

Read the passage and answer the following question.



Rohan during his industrial visit saw a storage tank which is a combination of different solids he had studied in his class. For preparing his industrial visit report, he clicked pictures and measured dimensions of the tank and other machine parts in the industry. One such picture from his report is shown here (dimensions given are in meters). Ignore the thickness, stands, opening and other branches of the tank and answer the following questions.

The axial length of the cylindrical central portion in its isometric projection will be reduced to \_\_\_\_\_ (approximately).

1. 88 meter
2. 110 meter
3. 55 meter
4. 44 meter

**Options :**

485584138585. 1  
485584138586. 2  
485584138587. 3  
485584138588. 4

**Question Number : 142 Question Id : 48558434647 Question Type : MCQ Option Shuffling : No Is Question Mandatory : No Calculator : None Response Time : N.A Think Time : N.A Minimum Instruction Time : 0**

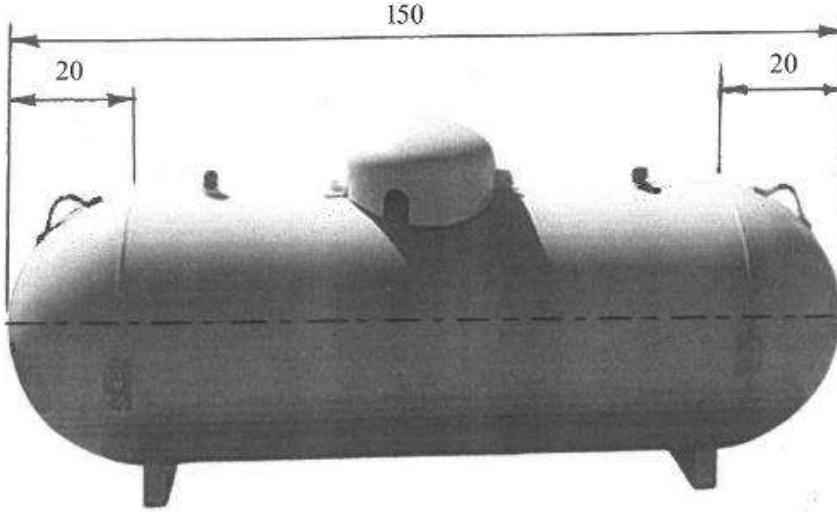
**Correct Marks : 5 Wrong Marks : 1**

**Question Key Details :**

Key	Value
Comprehension	Comp1



ವಾಕ್ಯಪುಂಜವನ್ನು ಓದಿ ಕೆಳಗಿನ ಪ್ರಶ್ನೆಗಳಿಗೆ ಉತ್ತರಿಸಿ.



ರೋಹನ್‌ನು ತನ್ನ ಕೈಗಾರಿಕಾ ಭೇಟಿಯ ಸಮಯದಲ್ಲಿ ತನ್ನ ತರಗತಿಯಲ್ಲಿ ಅಧ್ಯಯನ ಮಾಡಿದ ವಿವಿಧ ಘನವಸ್ತುಗಳ ನಿಯೋಜನೆಯ ಸ್ಟೋರೇಜ್ ಟ್ಯಾಂಕ್ ಅನ್ನು ನೋಡಿದರು. ತನ್ನ ಕೈಗಾರಿಕಾ ಭೇಟಿಯ ವರದಿಯನ್ನು ತಯಾರಿಸಲು ಅವರು ಚಿತ್ರಗಳನ್ನು ಕ್ಲಿಕ್ ಮಾಡಿದರು ಮತ್ತು ತೊಟ್ಟಿಯ ಪರಿಣಾಮಗಳನ್ನು ಮತ್ತು ಉದ್ಯಮದಲ್ಲಿನ ಇತರ ಯಂತ್ರದ ಭಾಗಗಳನ್ನು ಅಳತೆ ಮಾಡಿದನು. ಅವನ ವರದಿಯ ಪ್ರಕಾರ ಅಂತಹ ಒಂದು ಚಿತ್ರವನ್ನು ಇಲ್ಲಿ ತೋರಿಸಲಾಗಿದೆ. (ಪರಿಮಾಣಗಳನ್ನು ಇಲ್ಲಿ ಮೀಟರ್‌ನಲ್ಲಿ ನೀಡಲಾಗಿದೆ). ತೊಟ್ಟಿಯ ದಪ್ಪ, ಸ್ವಾಂಡ್ಸ್, ಓಪನಿಂಗ್ ಮತ್ತು ಟ್ಯಾಂಕಿನ ಇತರ ಬ್ರಾಂಚ್‌ಗಳನ್ನು ನಿರ್ಲಕ್ಷಿಸಿ ಕೆಳಗಿನ ಪ್ರಶ್ನೆಗಳಿಗೆ ಉತ್ತರಿಸಿ.

ಅದರ ಐಸೋಮೆಟ್ರಿಕ್ ಪ್ರೊಜೆಕ್ಷನ್‌ನಲ್ಲಿ ಸಿಲಿಂಡರಾಕಾರದ ಕೇಂದ್ರ ಭಾಗದ ಅಕ್ಷೀಯ ಉದ್ದವನ್ನು \_\_\_\_\_ (ಅಂದಾಜು) ಕಡಿಮೆಗೊಳಿಸಲಾಗುತ್ತದೆ.

1. 88 ಮೀಟರ್‌ಗಳು
2. 110 ಮೀಟರ್‌ಗಳು
3. 55 ಮೀಟರ್‌ಗಳು
4. 44 ಮೀಟರ್‌ಗಳು

**Options :**

485584138585. 1  
485584138586. 2  
485584138587. 3  
485584138588. 4

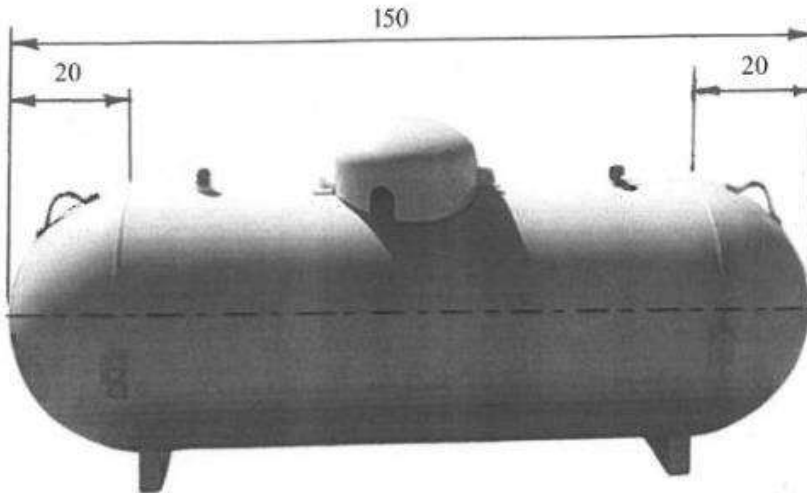
**Question Number : 143 Question Id : 48558434648 Question Type : MCQ Option Shuffling : No Is Question Mandatory : No Calculator : None Response Time : N.A Think Time : N.A Minimum Instruction Time : 0**

**Correct Marks : 5 Wrong Marks : 1**

**Question Key Details :**

Key	Value
Comprehension	Comp1

Read the passage and answer the following question.



Rohan during his industrial visit saw a storage tank which is a combination of different solids he had studied in his class. For preparing his industrial visit report, he clicked pictures and measured dimensions of the tank and other machine parts in the industry. One such picture from his report is shown here (dimensions given are in meters). Ignore the thickness, stands, opening and other branches of the tank and answer the following questions.

In the side view of the tank, the diameter of the circle is \_\_\_\_\_.

1. 20 meter
2. 75 meter
3. 40 meter
4. 55 meter

**Options :**

485584138589. 1  
485584138590. 2  
485584138591. 3  
485584138592. 4

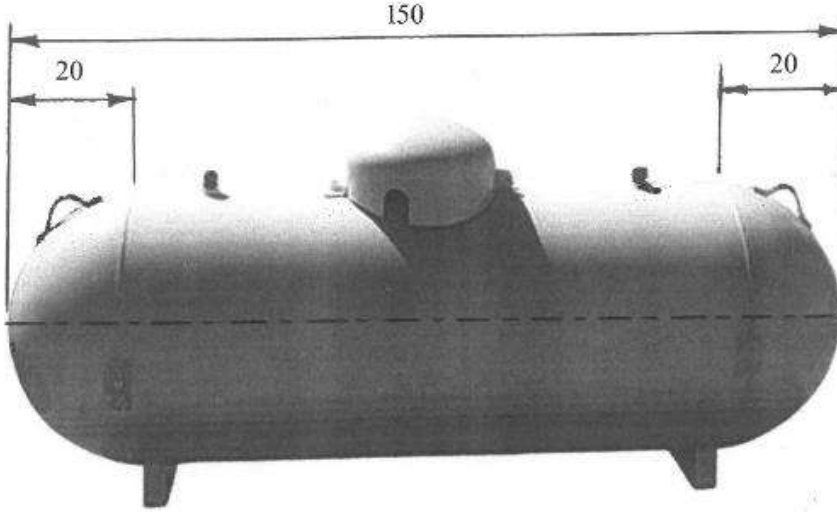
**Question Number : 143 Question Id : 48558434648 Question Type : MCQ Option Shuffling : No Is Question Mandatory : No Calculator : None Response Time : N.A Think Time : N.A Minimum Instruction Time : 0**

**Correct Marks : 5 Wrong Marks : 1**

**Question Key Details :**

Key	Value
Comprehension	Comp1

ವಾಕ್ಯಪುಂಜವನ್ನು ಓದಿ ಕೆಳಗಿನ ಪ್ರಶ್ನೆಗಳಿಗೆ ಉತ್ತರಿಸಿ.



ರೋಹನ್‌ನು ತನ್ನ ಕೈಗಾರಿಕಾ ಭೇಟಿಯ ಸಮಯದಲ್ಲಿ ತನ್ನ ತರಗತಿಯಲ್ಲಿ ಅಧ್ಯಯನ ಮಾಡಿದ ವಿವಿಧ ಘನವಸ್ತುಗಳ ನಿಯೋಜನೆಯ ಸ್ಟೋರೇಜ್ ಟ್ಯಾಂಕ್ ಅನ್ನು ನೋಡಿದರು. ತನ್ನ ಕೈಗಾರಿಕಾ ಭೇಟಿಯ ವರದಿಯನ್ನು ತಯಾರಿಸಲು ಅವರು ಚಿತ್ರಗಳನ್ನು ಕ್ಲಿಕ್ ಮಾಡಿದರು ಮತ್ತು ತೊಟ್ಟಿಯ ಪರಿಣಾಮಗಳನ್ನು ಮತ್ತು ಉದ್ಯಮದಲ್ಲಿನ ಇತರ ಯಂತ್ರದ ಭಾಗಗಳನ್ನು ಅಳತೆ ಮಾಡಿದನು. ಅವನ ವರದಿಯ ಪ್ರಕಾರ ಅಂತಹ ಒಂದು ಚಿತ್ರವನ್ನು ಇಲ್ಲಿ ತೋರಿಸಲಾಗಿದೆ. (ಪರಿಮಾಣಗಳನ್ನು ಇಲ್ಲಿ ಮೀಟರ್‌ನಲ್ಲಿ ನೀಡಲಾಗಿದೆ). ತೊಟ್ಟಿಯ ದಪ್ಪ, ಸ್ವಾಂಡ್ಸ್, ಓಪನಿಂಗ್ ಮತ್ತು ಟ್ಯಾಂಕಿನ ಇತರ ಬ್ರಾಂಚ್‌ಗಳನ್ನು ನಿರ್ಲಕ್ಷಿಸಿ ಕೆಳಗಿನ ಪ್ರಶ್ನೆಗಳಿಗೆ ಉತ್ತರಿಸಿ.

ತೊಟ್ಟಿಯ (ಟ್ಯಾಂಕ್) ಬದಿಯ ನೋಟದಲ್ಲಿ, ವೃತ್ತದ ವ್ಯಾಸವು:

1. 20 ಮೀಟರ್‌ಗಳು
2. 75 ಮೀಟರ್‌ಗಳು
3. 40 ಮೀಟರ್‌ಗಳು
4. 55 ಮೀಟರ್‌ಗಳು

**Options :**

485584138589. 1  
485584138590. 2  
485584138591. 3  
485584138592. 4

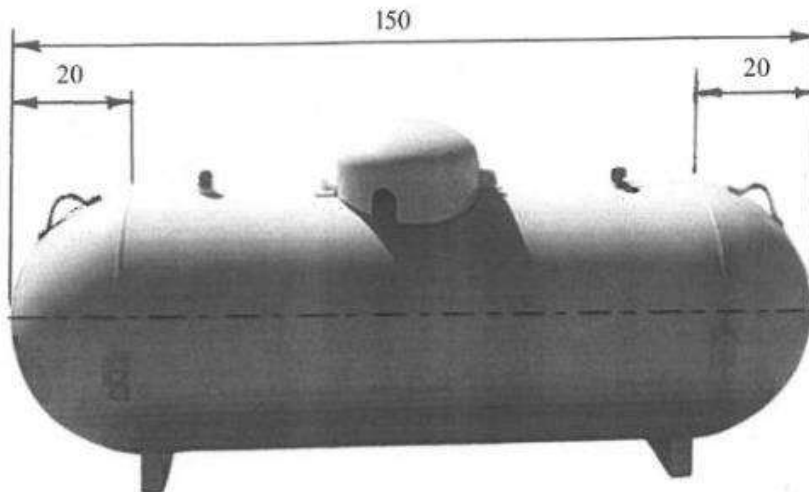
**Question Number : 144 Question Id : 48558434649 Question Type : MCQ Option Shuffling : No Is Question Mandatory : No Calculator : None Response Time : N.A Think Time : N.A Minimum Instruction Time : 0**

**Correct Marks : 5 Wrong Marks : 1**

**Question Key Details :**

Key	Value
Comprehension	Compl

Read the passage and answer the following question.



Rohan during his industrial visit saw a storage tank which is a combination of different solids he had studied in his class. For preparing his industrial visit report, he clicked pictures and measured dimensions of the tank and other machine parts in the industry. One such picture from his report is shown here (dimensions given are in meters). Ignore the thickness, stands, opening and other branches of the tank and answer the following questions.

According to the shown picture, choose a statement regarding the axis of the tank, which is **not possible** at all.

1. it is parallel to V.P.
2. it is parallel to H.P.
3. it is perpendicular to V.P.
4. it is perpendicular to H.P.

**Options :**

- 485584138593. 1
- 485584138594. 2
- 485584138595. 3
- 485584138596. 4

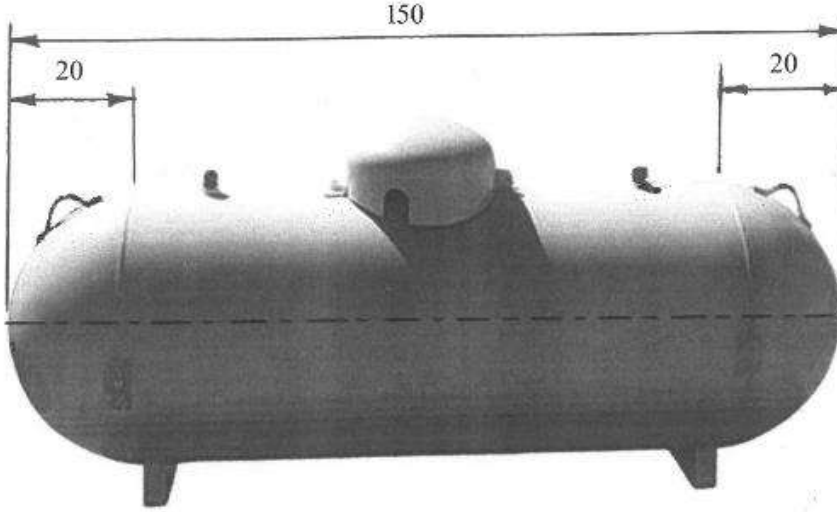
**Question Number : 144 Question Id : 48558434649 Question Type : MCQ Option Shuffling : No Is Question Mandatory : No Calculator : None Response Time : N.A Think Time : N.A Minimum Instruction Time : 0**

**Correct Marks : 5 Wrong Marks : 1**

**Question Key Details :**

Key	Value
Comprehension	Comp1

ವಾಕ್ಯಪುಂಜವನ್ನು ಓದಿ ಕೆಳಗಿನ ಪ್ರಶ್ನೆಗಳಿಗೆ ಉತ್ತರಿಸಿ.



ರೋಹನ್‌ನು ತನ್ನ ಕೈಗಾರಿಕಾ ಭೇಟಿಯ ಸಮಯದಲ್ಲಿ ತನ್ನ ತರಗತಿಯಲ್ಲಿ ಅಧ್ಯಯನ ಮಾಡಿದ ವಿವಿಧ ಘನವಸ್ತುಗಳ ನಿಯೋಜನೆಯ ಸ್ಟೋರೇಜ್ ಟ್ಯಾಂಕ್ ಅನ್ನು ನೋಡಿದರು. ತನ್ನ ಕೈಗಾರಿಕಾ ಭೇಟಿಯ ವರದಿಯನ್ನು ತಯಾರಿಸಲು ಅವರು ಚಿತ್ರಗಳನ್ನು ಕ್ಲಿಕ್ ಮಾಡಿದರು ಮತ್ತು ತೊಟ್ಟಿಯ ಪರಿಣಾಮಗಳನ್ನು ಮತ್ತು ಉದ್ಯಮದಲ್ಲಿನ ಇತರ ಯಂತ್ರದ ಭಾಗಗಳನ್ನು ಅಳತೆ ಮಾಡಿದನು. ಅವನ ವರದಿಯ ಪ್ರಕಾರ ಅಂತಹ ಒಂದು ಚಿತ್ರವನ್ನು ಇಲ್ಲಿ ತೋರಿಸಲಾಗಿದೆ. (ಪರಿಮಾಣಗಳನ್ನು ಇಲ್ಲಿ ಮೀಟರ್‌ನಲ್ಲಿ ನೀಡಲಾಗಿದೆ). ತೊಟ್ಟಿಯ ದಪ್ಪ, ಸ್ವಾಂಡ್ಸ್, ಓಪನಿಂಗ್ ಮತ್ತು ಟ್ಯಾಂಕಿನ ಇತರ ಬ್ರಾಂಚ್‌ಗಳನ್ನು ನಿರ್ಲಕ್ಷಿಸಿ ಕೆಳಗಿನ ಪ್ರಶ್ನೆಗಳಿಗೆ ಉತ್ತರಿಸಿ.

ತೋರಿಸಿದ ಚಿತ್ರದ ಪ್ರಕಾರ, ಟ್ಯಾಂಕಿನ ಅಕ್ಷದ ಬಗ್ಗೆ ಸಾಧ್ಯವಾಗದಿರುವ ಹೇಳಿಕೆಗಳನ್ನು ಆರಿಸಿ.

1. ಇದು V.P.ಗೆ ಸಮಾನಾಂತರವಾಗಿದೆ
2. H.P.ಗೆ ಇದು ಸಮಾನಾಂತರವಾಗಿದೆ
3. V.P.ಗೆ ಇದು ಲಂಬವಾಗಿದೆ
4. ಇದು H.P.ಗೆ ಲಂಬವಾಗಿದೆ

**Options :**

485584138593. 1  
485584138594. 2  
485584138595. 3  
485584138596. 4

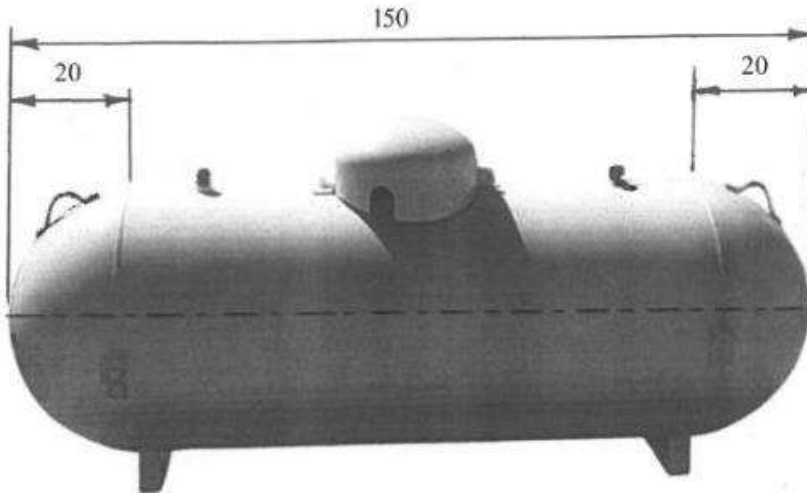
**Question Number : 145 Question Id : 48558434650 Question Type : MCQ Option Shuffling : No Is Question Mandatory : No Calculator : None Response Time : N.A Think Time : N.A Minimum Instruction Time : 0**

**Correct Marks : 5 Wrong Marks : 1**

**Question Key Details :**

Key	Value
Comprehension	Compl

Read the passage and answer the following question.



Rohan during his industrial visit saw a storage tank which is a combination of different solids he had studied in his class. For preparing his industrial visit report, he clicked pictures and measured dimensions of the tank and other machine parts in the industry. One such picture from his report is shown here (dimensions given are in meters). Ignore the thickness, stands, opening and other branches of the tank and answer the following questions.

The 2D figure required for drawing isometric projection of this tank is \_\_\_\_\_.

1. Ellipse
2. Pentagon
3. Hexagon
4. Triangle

**Options :**

- 485584138597. 1
- 485584138598. 2
- 485584138599. 3
- 485584138600. 4

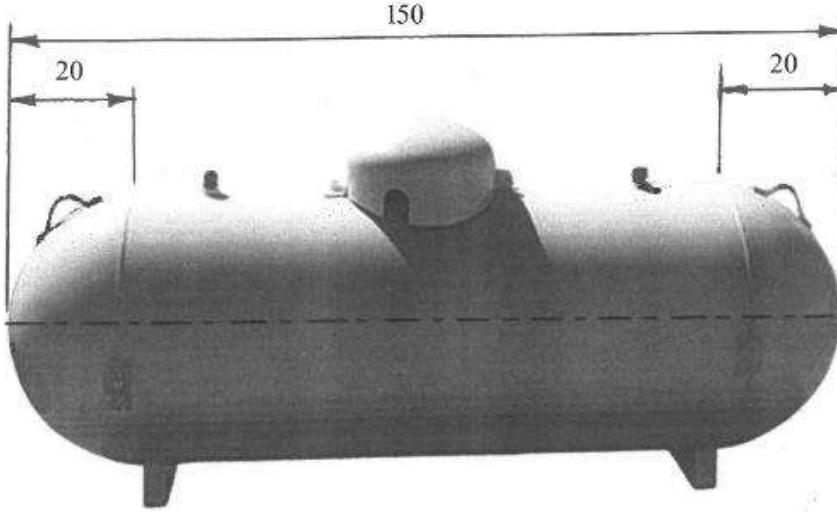
**Question Number : 145 Question Id : 48558434650 Question Type : MCQ Option Shuffling : No Is Question Mandatory : No Calculator : None Response Time : N.A Think Time : N.A Minimum Instruction Time : 0**

**Correct Marks : 5 Wrong Marks : 1**

**Question Key Details :**

Key	Value
Comprehension	Comp1

ವಾಕ್ಯಪುಂಜವನ್ನು ಓದಿ ಕೆಳಗಿನ ಪ್ರಶ್ನೆಗಳಿಗೆ ಉತ್ತರಿಸಿ.



ರೋಹನ್‌ನು ತನ್ನ ಕೈಗಾರಿಕಾ ಭೇಟಿಯ ಸಮಯದಲ್ಲಿ ತನ್ನ ತರಗತಿಯಲ್ಲಿ ಅಧ್ಯಯನ ಮಾಡಿದ ವಿವಿಧ ಘನವಸ್ತುಗಳ ನಿಯೋಜನೆಯ ಸ್ಟೋರೇಜ್ ಟ್ಯಾಂಕ್ ಅನ್ನು ನೋಡಿದರು. ತನ್ನ ಕೈಗಾರಿಕಾ ಭೇಟಿಯ ವರದಿಯನ್ನು ತಯಾರಿಸಲು ಅವರು ಚಿತ್ರಗಳನ್ನು ಕ್ಲಿಕ್ ಮಾಡಿದರು ಮತ್ತು ತೊಟ್ಟಿಯ ಪರಿಣಾಮಗಳನ್ನು ಮತ್ತು ಉದ್ಯಮದಲ್ಲಿನ ಇತರ ಯಂತ್ರದ ಭಾಗಗಳನ್ನು ಅಳತೆ ಮಾಡಿದನು. ಅವನ ವರದಿಯ ಪ್ರಕಾರ ಅಂತಹ ಒಂದು ಚಿತ್ರವನ್ನು ಇಲ್ಲಿ ತೋರಿಸಲಾಗಿದೆ. (ಪರಿಮಾಣಗಳನ್ನು ಇಲ್ಲಿ ಮೀಟರ್‌ನಲ್ಲಿ ನೀಡಲಾಗಿದೆ). ತೊಟ್ಟಿಯ ದಪ್ಪ, ಸ್ಟಾಂಡ್ಸ್, ಓಪನಿಂಗ್ ಮತ್ತು ಟ್ಯಾಂಕಿನ ಇತರ ಬ್ರಾಂಚ್‌ಗಳನ್ನು ನಿರ್ಲಕ್ಷಿಸಿ ಕೆಳಗಿನ ಪ್ರಶ್ನೆಗಳಿಗೆ ಉತ್ತರಿಸಿ.

ಈ ಟ್ಯಾಂಕಿನ ಐಸೋಮೆಟ್ರಿಕ್ ಪ್ರೊಜೆಕ್ಷನ್ ಅನ್ನು ಚಿತ್ರಿಸಲು ಅಗತ್ಯವಿರುವ 2D ಚಿತ್ರವು:

1. ದೀರ್ಘ ವೃತ್ತ
2. ಪಂಚಭುಜಾಕೃತಿ
3. ಷಡ್ಭುಜ
4. ಆಯತ

**Options :**

485584138597. 1  
485584138598. 2  
485584138599. 3  
485584138600. 4

**Sub-Section Number :**

3

**Sub-Section Id :**

4855842535

**Question Shuffling Allowed :**

No

**Is Section Default? :**

null

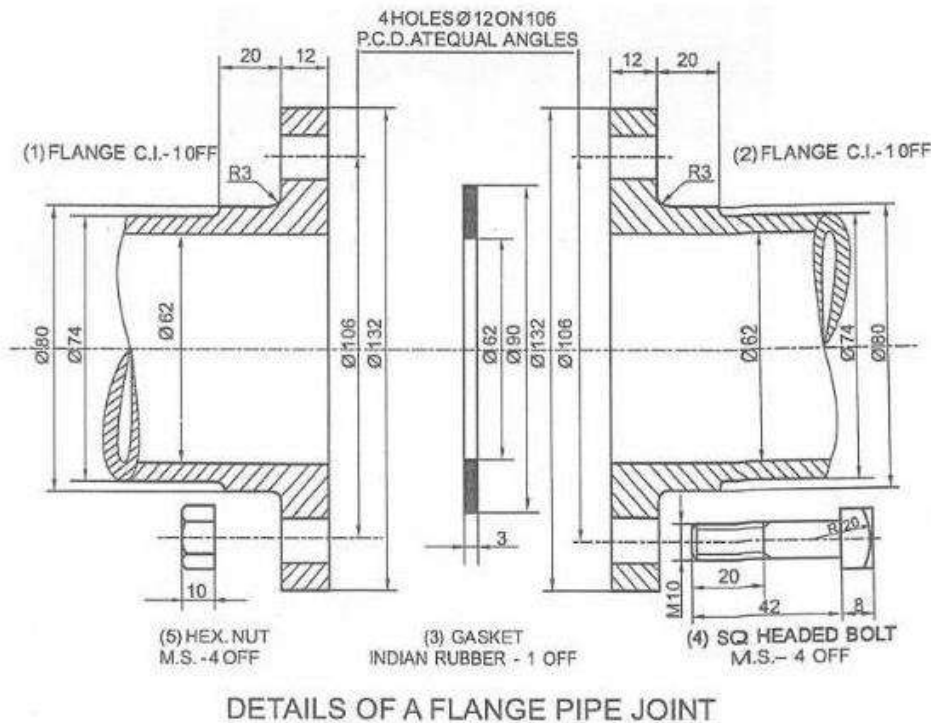
**Question Number : 146 Question Id : 48558434651 Question Type : MCQ Option Shuffling : No Is Question Mandatory : No Calculator : None Response Time : N.A Think Time : N.A Minimum Instruction Time : 0**

**Correct Marks : 5 Wrong Marks : 1**

**Question Key Details :**

Key	Value
Comprehension	Comp2

The given figure shows the disassembled part of a Flange Pipe Joint. Answer the following question based on this drawing:



\_\_\_\_\_ is the inner diameter of the Pipe from which liquid / gas has to flow.

1. 62 mm
2. 90 mm
3. 74 mm
4. 80 mm

**Options :**

- 485584138601. 1
- 485584138602. 2
- 485584138603. 3
- 485584138604. 4

**Question Number : 146 Question Id : 48558434651 Question Type : MCQ Option Shuffling : No Is Question Mandatory : No Calculator : None Response Time : N.A Think Time : N.A Minimum Instruction Time : 0**

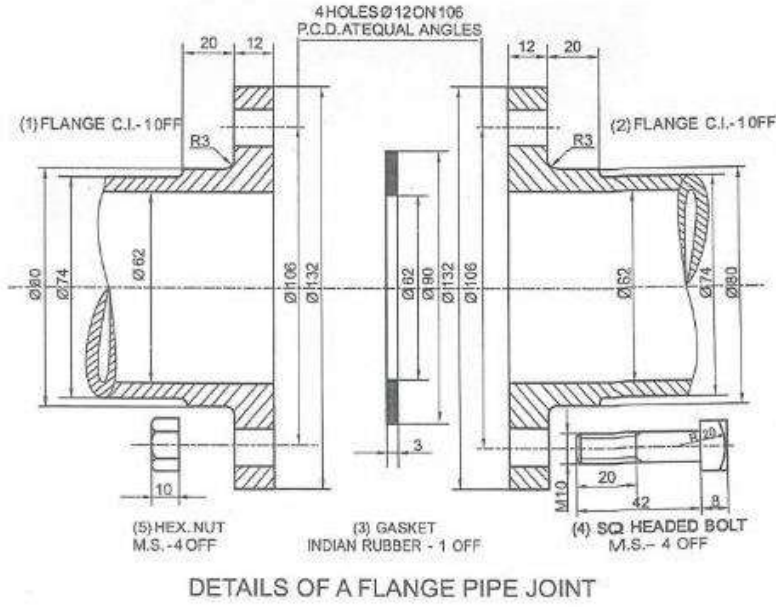
**Correct Marks : 5 Wrong Marks : 1**

**Question Key Details :**

Key	Value
Comprehension	Comp2



46-50: ಕೊಟ್ಟಿರುವ ಚಿತ್ರವು ಫ್ಲೇಂಜ್ ಜಾಯಿಂಟ್‌ನ ಜೋಡಣೆಯಿಂದ ಬಿಡಿಸಿದ ಭಾಗವನ್ನು ತೋರಿಸುತ್ತದೆ. ರೇಖಾಚಿತ್ರ ಆಧರಿಸಿ ಪ್ರಶ್ನೆಗಳನ್ನು ಉತ್ತರಿಸಿ.



ಮಿ.ಮೀ. ದ್ರವ/ಅನಿಲವು ಹರಿಯಬೇಕಾದ ಪೈಪ್‌ನ ಒಳ ವ್ಯಾಸವಾಗಿದೆ.

1. 62
2. 90
3. 74
4. 80

**Options :**

- 485584138601. 1
- 485584138602. 2
- 485584138603. 3
- 485584138604. 4

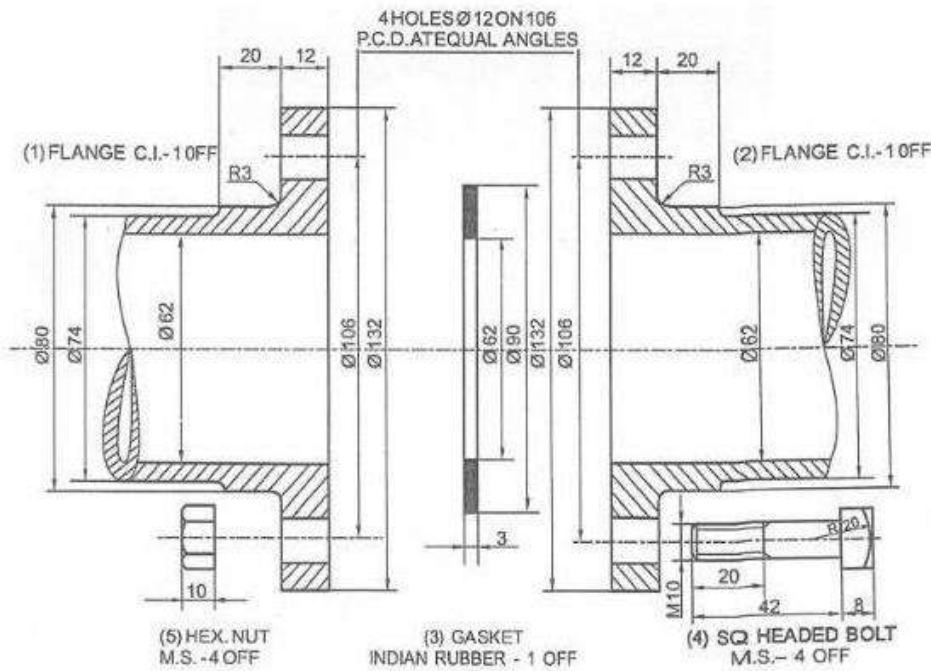
**Question Number : 147 Question Id : 48558434652 Question Type : MCQ Option Shuffling : No Is Question Mandatory : No Calculator : None Response Time : N.A Think Time : N.A Minimum Instruction Time : 0**

**Correct Marks : 5 Wrong Marks : 1**

**Question Key Details :**

Key	Value
Comprehension	Comp2

The given figure shows the disassembled part of a Flange Pipe Joint. Answer the following question based on this drawing:



DETAILS OF A FLANGE PIPE JOINT

Choose the **correct** statement for the Flange:

1. It is a projected semicircular rim.
2. It is made thinner than pipe-walls.
3. It attaches to a shaft.
4. It serves to hold the pipe in place.

**Options :**

- 485584138605. 1
- 485584138606. 2
- 485584138607. 3
- 485584138608. 4

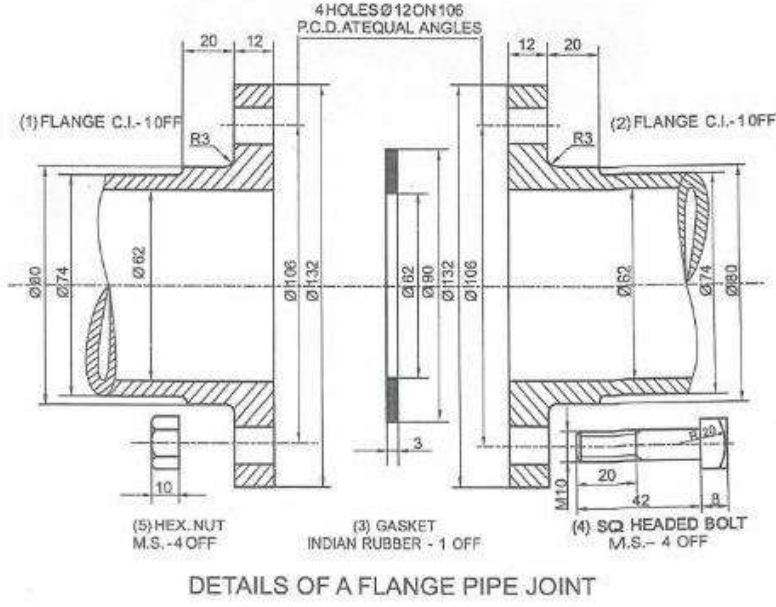
Question Number : 147 Question Id : 48558434652 Question Type : MCQ Option Shuffling : No Is Question Mandatory : No Calculator : None Response Time : N.A Think Time : N.A Minimum Instruction Time : 0

Correct Marks : 5 Wrong Marks : 1

**Question Key Details :**

Key	Value
Comprehension	Comp2

46-50: ಕೊಟ್ಟಿರುವ ಚಿತ್ರವು ಫ್ಲೇಂಜ್ ಜಾಯಿಂಟ್‌ನ ಜೋಡಣೆಯಿಂದ ಬಿಡಿಸಿದ ಭಾಗವನ್ನು ತೋರಿಸುತ್ತದೆ. ರೇಖಾಚಿತ್ರ ಆಧರಿಸಿ ಪ್ರಶ್ನೆಗಳನ್ನು ಉತ್ತರಿಸಿ.



ಫ್ಲೇಂಜ್ ಬಗೆಗೆ ಸರಿಯಾದ ಹೇಳಿಕೆಯನ್ನು ಆಧರಿಸಿ.

1. ಇದು ಚಾಚಿದ ಅರೆ ವೃತ್ತಾಕಾರದ ರಿಮ್ ಆಗಿದೆ
2. ಇದು ಪೈಪ್‌ಗಿಂತ ತೆಳ್ಳಗೆ ಮಾಡಲ್ಪಟ್ಟಿದೆ
3. ಇದು ಶಾಫ್ಟ್‌ಗೆ ಅಂಟಿಕೊಂಡಿದೆ
4. ಇದು ಪೈಪ್ ಅನ್ನು ಅದರ ಸ್ಥಳದಲ್ಲಿ ಹಿಡಿದಿಡಲು ಕಾರ್ಯನಿರ್ವಹಿಸುತ್ತದೆ

**Options :**

485584138605. 1
485584138606. 2
485584138607. 3
485584138608. 4

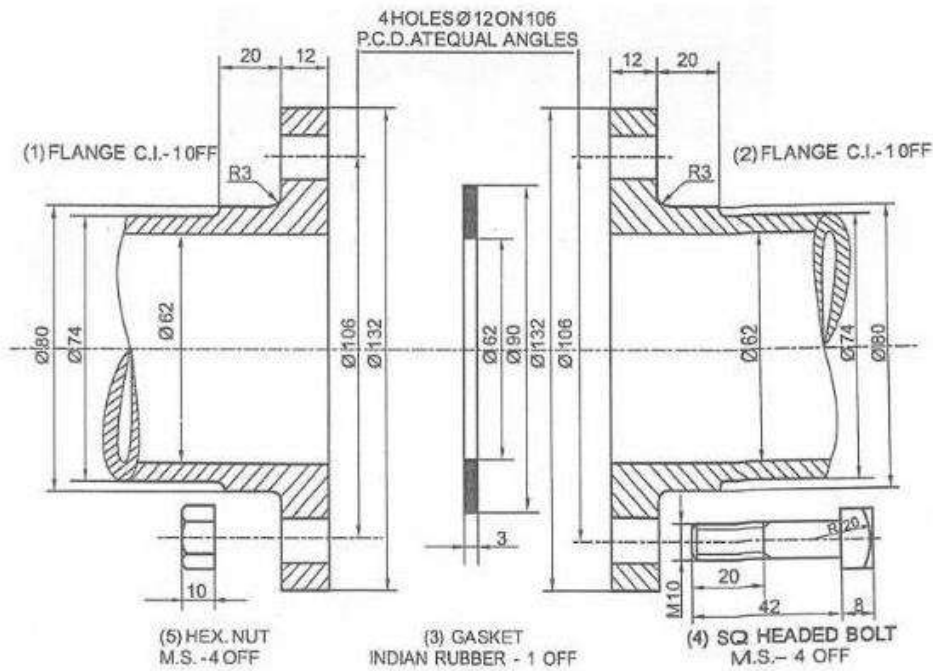
**Question Number : 148 Question Id : 48558434653 Question Type : MCQ Option Shuffling : No Is Question Mandatory : No Calculator : None Response Time : N.A Think Time : N.A Minimum Instruction Time : 0**

**Correct Marks : 5 Wrong Marks : 1**

**Question Key Details :**

Key	Value
Comprehension	Comp2

The given figure shows the disassembled part of a Flange Pipe Joint. Answer the following question based on this drawing:



DETAILS OF A FLANGE PIPE JOINT

External diameter of the rubber Gasket is:

1. 132 mm
2. 62 mm
3. 74 mm
4. 90 mm

Options :

- 485584138609. 1
- 485584138610. 2
- 485584138611. 3
- 485584138612. 4

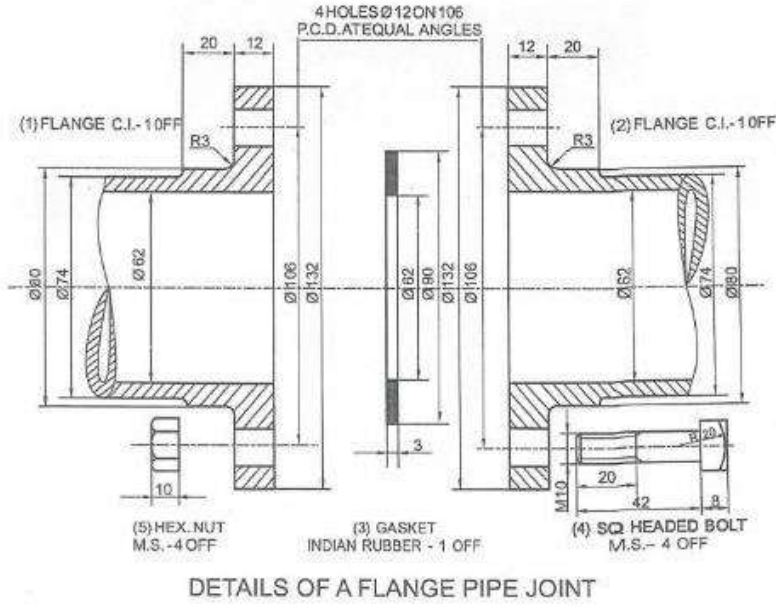
Question Number : 148 Question Id : 48558434653 Question Type : MCQ Option Shuffling : No Is Question Mandatory : No Calculator : None Response Time : N.A Think Time : N.A Minimum Instruction Time : 0

Correct Marks : 5 Wrong Marks : 1

Question Key Details :

Key	Value
Comprehension	Comp2

46-50: ಕೊಟ್ಟಿರುವ ಚಿತ್ರವು ಫ್ಲೇಂಜ್ ಜಾಯಿಂಟ್‌ನ ಜೋಡಣೆಯಿಂದ ಬಿಡಿಸಿದ ಭಾಗವನ್ನು ತೋರಿಸುತ್ತದೆ. ರೇಖಾಚಿತ್ರ ಆಧರಿಸಿ ಪ್ರಶ್ನೆಗಳನ್ನು ಉತ್ತರಿಸಿ.



ರಬ್ಬರ್ ಗ್ಯಾಸೆಟ್‌ನ ಬಾಹ್ಯ ವ್ಯಾಸವು:

1. 132 ಮಿ.ಮೀ.
2. 62 ಮಿ.ಮೀ.
3. 74 ಮಿ.ಮೀ.
4. 90 ಮಿ.ಮೀ.

**Options :**

485584138609. 1  
485584138610. 2  
485584138611. 3  
485584138612. 4

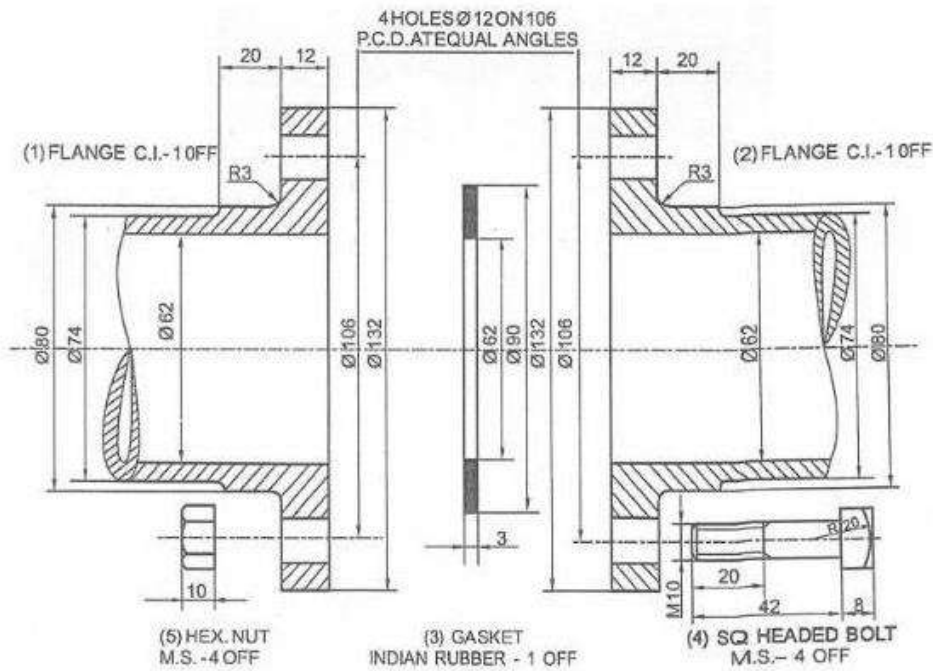
**Question Number : 149 Question Id : 48558434654 Question Type : MCQ Option Shuffling : No Is Question Mandatory : No Calculator : None Response Time : N.A Think Time : N.A Minimum Instruction Time : 0**

**Correct Marks : 5 Wrong Marks : 1**

**Question Key Details :**

Key	Value
Comprehension	Comp2

The given figure shows the disassembled part of a Flange Pipe Joint. Answer the following question based on this drawing:



DETAILS OF A FLANGE PIPE JOINT

C.I. stands for :

1. Closed Interior
2. Crest Index
3. Cast Iron
4. Counter Iron

Options :

- 485584138613. 1
- 485584138614. 2
- 485584138615. 3
- 485584138616. 4

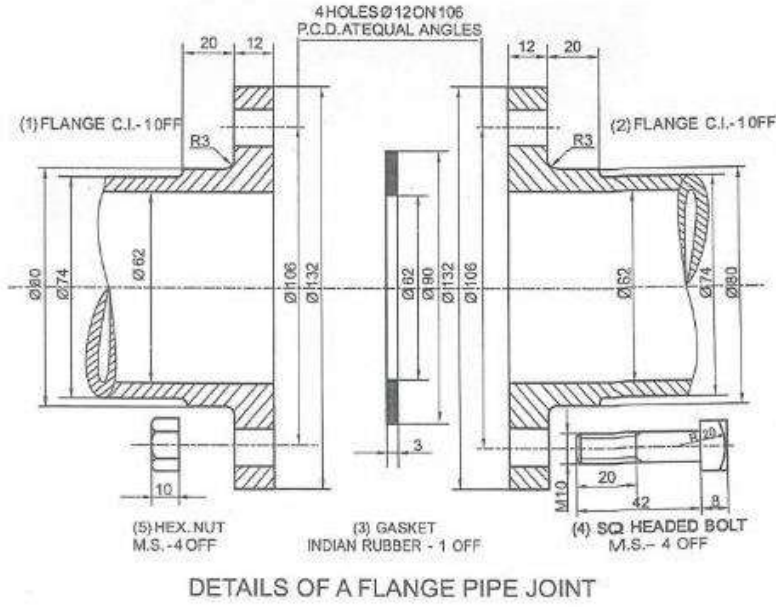
Question Number : 149 Question Id : 48558434654 Question Type : MCQ Option Shuffling : No Is Question Mandatory : No Calculator : None Response Time : N.A Think Time : N.A Minimum Instruction Time : 0

Correct Marks : 5 Wrong Marks : 1

Question Key Details :

Key	Value
Comprehension	Comp2

46-50: ಕೊಟ್ಟಿರುವ ಚಿತ್ರವು ಫ್ಲೇಂಜ್ ಜಾಯಿಂಟ್‌ನ ಜೋಡಣೆಯಿಂದ ಬಿಡಿಸಿದ ಭಾಗವನ್ನು ತೋರಿಸುತ್ತದೆ. ರೇಖಾಚಿತ್ರ ಆಧರಿಸಿ ಪ್ರಶ್ನೆಗಳನ್ನು ಉತ್ತರಿಸಿ.



C.I. ಎಂದರೆ:

1. Closed Interior
2. Crest Index
3. Cast Iron
4. Counter Iron

**Options :**

485584138613. 1  
 485584138614. 2  
 485584138615. 3  
 485584138616. 4

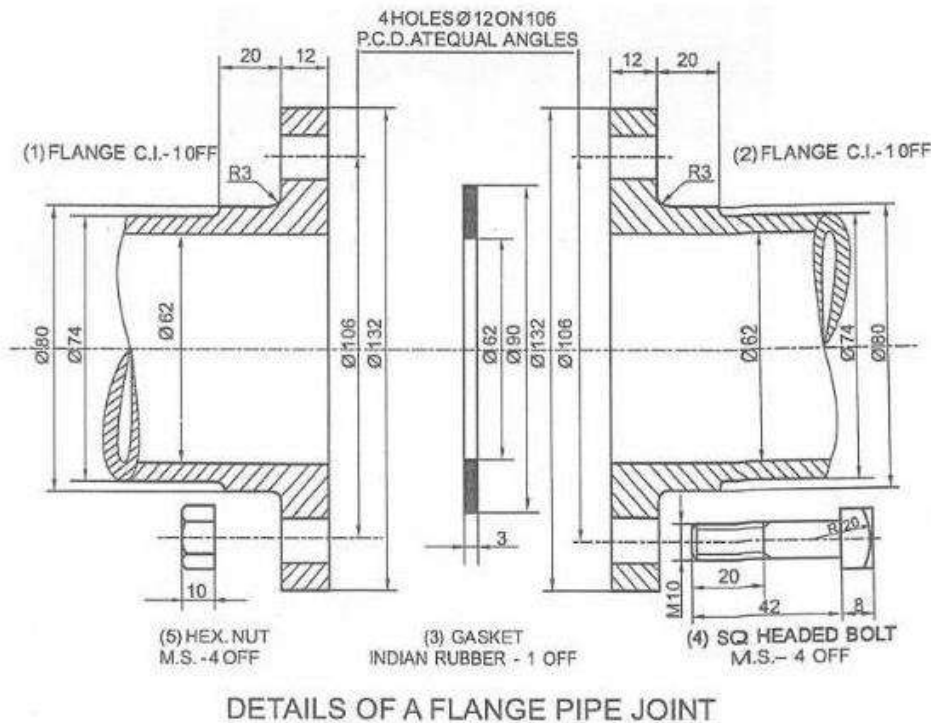
**Question Number : 150 Question Id : 48558434655 Question Type : MCQ Option Shuffling : No Is Question Mandatory : No Calculator : None Response Time : N.A Think Time : N.A Minimum Instruction Time : 0**

**Correct Marks : 5 Wrong Marks : 1**

**Question Key Details :**

Key	Value
Comprehension	Comp2

The given figure shows the disassembled part of a Flange Pipe Joint. Answer the following question based on this drawing:



The thickness of pipe walls can be increased when \_\_\_\_\_.

1. pressure is low
2. pressure is high
3. length of pipe has to be increased
4. length of pipe has to be decreased

**Options :**

- 485584138617. 1
- 485584138618. 2
- 485584138619. 3
- 485584138620. 4

Question Number : 150 Question Id : 48558434655 Question Type : MCQ Option Shuffling : No Is Question Mandatory : No Calculator : None Response Time : N.A Think Time : N.A Minimum Instruction Time : 0

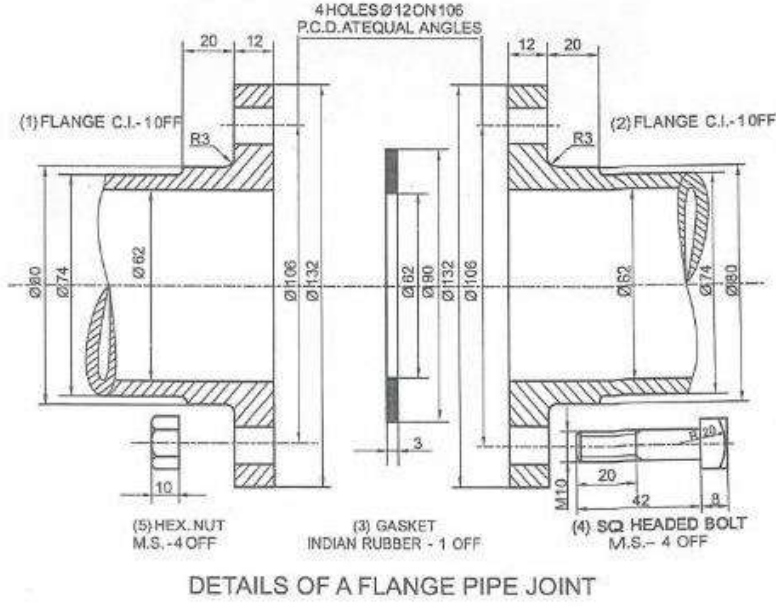
Correct Marks : 5 Wrong Marks : 1

**Question Key Details :**

Key	Value
Comprehension	Comp2



46-50: ಕೊಟ್ಟಿರುವ ಚಿತ್ರವು ಫ್ಲೇಂಜ್ ಜಾಯಿಂಟ್‌ನ ಜೋಡಣೆಯಿಂದ ಬಿಡಿಸಿದ ಭಾಗವನ್ನು ತೋರಿಸುತ್ತದೆ. ರೇಖಾಚಿತ್ರ ಆಧರಿಸಿ ಪ್ರಶ್ನೆಗಳನ್ನು ಉತ್ತರಿಸಿ.



ಪೈಪ್‌ನ ಗೋಡೆಗಳ ದಪ್ಪವನ್ನು ಹೆಚ್ಚಿಸಬಹುದು ಯಾವಾಗೆಂದರೆ,

1. ಒತ್ತಡ ಕಡಿಮೆಯಿದ್ದಾಗ
2. ಒತ್ತಡ ಜಾಸ್ತಿಯಿದ್ದಾಗ
3. ಪೈಪ್‌ನ ಉದ್ದವನ್ನು ಹೆಚ್ಚಿಸಬೇಕು
4. ಪೈಪ್‌ನ ಉದ್ದವನ್ನು ಕಡಿಮೆಗೊಳಿಸಬೇಕು

**Options :**

485584138617. 1
485584138618. 2
485584138619. 3
485584138620. 4

## Geography

Group Number :	9
Group Id :	485584776
Group Maximum Duration :	45
Group Minimum Duration :	45
Show Attended Group? :	No
Edit Attended Group? :	No
Break time :	0
Group Marks :	200
Is this Group for Examiner? :	No
Examiner permission :	Cant View
Show Progress Bar? :	No

## Geography

Section Id :	485584894
Section Number :	1
Section type :	Online
Mandatory or Optional :	Mandatory
Number of Questions :	50
Number of Questions to be attempted :	40
Section Marks :	200
Enable Mark as Answered Mark for Review and Clear Response :	Yes
Maximum Instruction Time :	0
Sub-Section Number :	1
Sub-Section Id :	4855842536
Question Shuffling Allowed :	Yes
Is Section Default? :	null

Question Number : 151 Question Id : 48558434056 Question Type : MCQ Option Shuffling : No Is Question Mandatory : No Calculator : None Response Time : N.A Think Time : N.A Minimum Instruction Time : 0

Correct Marks : 5 Wrong Marks : 1

Question Key Details :

Key	Value
Comprehension	MCQ

The concept neither there is a situation of absolute necessity nor absolute freedom is called :

1. Environmentalism
2. Probablism
3. Possibilism
4. Neo-determinism

Options :

- 485584136221. 1
- 485584136222. 2
- 485584136223. 3
- 485584136224. 4

Question Number : 152 Question Id : 48558434057 Question Type : MCQ Option Shuffling : No Is Question Mandatory : No Calculator : None Response Time : N.A Think Time : N.A Minimum Instruction Time : 0

Correct Marks : 5 Wrong Marks : 1

Question Key Details :

Key	Value
Comprehension	MCQ

Radical school approach in human geography is related to \_\_\_\_\_.

1. encyclo paetic description of the area
2. indentifying the Uniqueness of any region
3. indentifying mappable pattern for different human activities
4. explaining the basic cause of poverty and social inequality

**Options :**

- 485584136225. 1
- 485584136226. 2
- 485584136227. 3
- 485584136228. 4

**Question Number : 153 Question Id : 48558434058 Question Type : MCQ Option Shuffling : No Is Question Mandatory : No Calculator : None Response Time : N.A Think Time : N.A Minimum Instruction Time : 0**

**Correct Marks : 5 Wrong Marks : 1**

**Question Key Details :**

Key	Value
Comprehension	MCQ

Discontentment with quantitative revolution did not lead to the emergence of \_\_\_\_\_.

1. Humanistic school of geography
2. Radical Geography
3. Regional Geography
4. Behavioural Geography

**Options :**

- 485584136229. 1
- 485584136230. 2
- 485584136231. 3
- 485584136232. 4

**Question Number : 154 Question Id : 48558434059 Question Type : MCQ Option Shuffling : No Is Question Mandatory : No Calculator : None Response Time : N.A Think Time : N.A Minimum Instruction Time : 0**

**Correct Marks : 5 Wrong Marks : 1**

**Question Key Details :**

Key	Value
Comprehension	MCQ

\_\_\_\_\_ is a sub-field of social Geography.

1. Geography of Leisure
2. Geography of Resources
3. Geography of Tourism
4. Geography to Agriculture

**Options :**

485584136233. 1  
485584136234. 2  
485584136235. 3  
485584136236. 4

**Question Number : 155 Question Id : 48558434060 Question Type : MCQ Option Shuffling : No Is Question Mandatory : No Calculator : None Response Time : N.A Think Time : N.A Minimum Instruction Time : 0**

**Correct Marks : 5 Wrong Marks : 1**

**Question Key Details :**

Key	Value
Comprehension	MCQ

Demographic Transition Theory can be used to describe and predict :

1. People participation in different categories of economic activities
2. Future population of an area
3. Gender based classification of population of an area
4. Working and depend and population of an area

**Options :**

485584136237. 1  
485584136238. 2  
485584136239. 3  
485584136240. 4

**Question Number : 156 Question Id : 48558434061 Question Type : MCQ Option Shuffling : No Is Question Mandatory : No Calculator : None Response Time : N.A Think Time : N.A Minimum Instruction Time : 0**

**Correct Marks : 5 Wrong Marks : 1**

**Question Key Details :**

Key	Value
Comprehension	MCQ

Which programme was introduced by the Government of India to address the issue of decline in child sex ratio?

1. Beti Bachao Beti Padhao
2. Beti Samjhao Beto Padhao
3. Beti Samjhao Beti Bachao
4. Beti Batao Beti Badhao

**Options :**

485584136241. 1  
485584136242. 2  
485584136243. 3  
485584136244. 4

**Question Number : 157 Question Id : 48558434062 Question Type : MCQ Option Shuffling : No Is Question Mandatory : No Calculator : None Response Time : N.A Think Time : N.A Minimum Instruction Time : 0**

**Correct Marks : 5 Wrong Marks : 1**

**Question Key Details :**

Key	Value
Comprehension	MCQ

International Labour Organisation (ILO) proposed \_\_\_\_\_ for human development measurement.

1. basic needs approach
2. income approach
3. welfare approach
4. capability approach

**Options :**

485584136245. 1  
485584136246. 2  
485584136247. 3  
485584136248. 4

**Question Number : 158 Question Id : 48558434063 Question Type : MCQ Option Shuffling : No Is Question Mandatory : No Calculator : None Response Time : N.A Think Time : N.A Minimum Instruction Time : 0**

**Correct Marks : 5 Wrong Marks : 1**

**Question Key Details :**

Key	Value
Comprehension	MCQ

The process of migration from plain areas to pastures on mountain during summers and again from mountain pastures to plain areas during winter is known as \_\_\_\_\_.

1. immigration
2. migration
3. transhumance
4. emigration

**Options :**

485584136249. 1  
485584136250. 2  
485584136251. 3  
485584136252. 4

**Question Number : 159 Question Id : 48558434064 Question Type : MCQ Option Shuffling : No Is Question Mandatory : No Calculator : None Response Time : N.A Think Time : N.A Minimum Instruction Time : 0**

**Correct Marks : 5 Wrong Marks : 1**

**Question Key Details :**

Key	Value
Comprehension	MCQ

'Chicago-Gary' is a major industrial region of \_\_\_\_\_.

1. Europe
2. Australia
3. Canada
4. United States of America

**Options :**

485584136253. 1  
485584136254. 2  
485584136255. 3  
485584136256. 4

**Question Number : 160 Question Id : 48558434065 Question Type : MCQ Option Shuffling : No Is Question Mandatory : No Calculator : None Response Time : N.A Think Time : N.A Minimum Instruction Time : 0**

**Correct Marks : 5 Wrong Marks : 1**

**Question Key Details :**

Key	Value
Comprehension	MCQ

Which of the following sea route is called as Big Trunk Route ?

1. North Pacific Sea Route
2. Northen Atlantic Sea Route
3. Cape of Good Hope Sea Route
4. Southern Atlantic Sea Route

**Options :**

485584136257. 1  
485584136258. 2  
485584136259. 3  
485584136260. 4

**Question Number : 161 Question Id : 48558434066 Question Type : MCQ Option Shuffling : No Is Question Mandatory : No Calculator : None Response Time : N.A Think Time : N.A Minimum Instruction Time : 0**

**Correct Marks : 5 Wrong Marks : 1**

**Question Key Details :**

Key	Value
Comprehension	MCQ

Which of the following country has the highest density of rail network ?

1. Africa
2. Canada
3. Asia
4. Australia

**Options :**

485584136261. 1  
485584136262. 2  
485584136263. 3  
485584136264. 4

**Question Number : 162 Question Id : 48558434067 Question Type : MCQ Option Shuffling : No Is Question Mandatory : No Calculator : None Response Time : N.A Think Time : N.A Minimum Instruction Time : 0**

**Correct Marks : 5 Wrong Marks : 1**

**Question Key Details :**

Key	Value
Comprehension	MCQ

The Union of Conurbations is called \_\_\_\_\_.

1. Megopolis
2. Conurbation
3. Metropolitan
4. Million City

**Options :**

485584136265. 1  
485584136266. 2  
485584136267. 3  
485584136268. 4

**Question Number : 163 Question Id : 48558434068 Question Type : MCQ Option Shuffling : No Is Question Mandatory : No Calculator : None Response Time : N.A Think Time : N.A Minimum Instruction Time : 0**

**Correct Marks : 5 Wrong Marks : 1**

**Question Key Details :**

Key	Value
Comprehension	MCQ

Arrange the following regions in ascending order according to growth rate of population (2010-15).

- A. Oceania
- B. Europe
- C. Asia
- D. Africa

Choose the correct answer from the options given below :

1. (B), (C), (A), (D)
2. (B), (A), (C), (D)
3. (B), (D), (A), (C)
4. (A), (B), (C), (D)

**Options :**

485584136269. 1  
485584136270. 2  
485584136271. 3  
485584136272. 4

**Question Number : 164 Question Id : 48558434069 Question Type : MCQ Option Shuffling : No Is Question Mandatory : No Calculator : None Response Time : N.A Think Time : N.A Minimum Instruction Time : 0**

**Correct Marks : 5 Wrong Marks : 1**

**Question Key Details :**

Key	Value
Comprehension	MCQ



Arrange the following stations of Trans Siberian Railway from East to West direction.

- A. Chita
- B. Vladivostak
- C. Moscow
- D. Omsk

Choose the correct answer from the options given below :

1. (A), (B), (C), (D)
2. (B), (A), (D), (C)
3. (B), (A), (C), (D)
4. (A), (B), (C), (D)

**Options :**

- 485584136273. 1
- 485584136274. 2
- 485584136275. 3
- 485584136276. 4

**Question Number : 165 Question Id : 48558434070 Question Type : MCQ Option Shuffling : No Is Question Mandatory : No Calculator : None Response Time : N.A Think Time : N.A Minimum Instruction Time : 0**

**Correct Marks : 5 Wrong Marks : 1**

**Question Key Details :**

Key	Value
Comprehension	MCQ

Arrange the following mega cities of the world in descending order according to population (2016).

- A. Shanghai
- B. Beijing
- C. Sao Paulo
- D. Tokyo

Choose the correct answer from the options given below :

1. (D), (A), (C), (B)
2. (D), (A), (B), (C)
3. (A), (D), (B), (C)
4. (A), (D), (C), (B)

**Options :**

- 485584136277. 1
- 485584136278. 2
- 485584136279. 3
- 485584136280. 4

**Question Number : 166 Question Id : 48558434071 Question Type : MCQ Option Shuffling : No Is Question Mandatory : No Calculator : None Response Time : N.A Think Time : N.A Minimum Instruction Time : 0**

**Correct Marks : 5 Wrong Marks : 1**

**Question Key Details :**

Key	Value
Comprehension	MCQ

Read the following statements about demographic transition theory carefully :

- A. The first stage has high fertility and high mortality
- B. Fertility remains high in beginning of second stage
- C. In the last stage both fertility and mortality declined considerably
- D. This theory cannot be used to describe and predict the future population of any area

Choose the correct answer from the options given below :

- 1. (A), (B), (C) only
- 2. (A), (B), (D) only
- 3. (A), (C), (D) only
- 4. (B), (C), (D) only

**Options :**

- 485584136281. 1
- 485584136282. 2
- 485584136283. 3
- 485584136284. 4

**Question Number : 167 Question Id : 48558434072 Question Type : MCQ Option Shuffling : No Is Question Mandatory : No Calculator : None Response Time : N.A Think Time : N.A Minimum Instruction Time : 0**

**Correct Marks : 5 Wrong Marks : 1**

**Question Key Details :**

Key	Value
Comprehension	MCQ

Identify the characteristics of compact or nucleated settlements :

- A. Houses are built very close to each other.
- B. Communities share common occupation.
- C. Mainly found in fertile plains.
- D. Houses are interspersed with fields.

Choose the correct answer from the options given below :

- 1. (A), (B), (D) only
- 2. (A), (C), (D) only
- 3. (B), (C), (D) only
- 4. (A), (B), (C) only

**Options :**

- 485584136285. 1
- 485584136286. 2
- 485584136287. 3
- 485584136288. 4

**Question Number : 168 Question Id : 48558434073 Question Type : MCQ Option Shuffling : No Is Question Mandatory : No Calculator : None Response Time : N.A Think Time : N.A Minimum Instruction Time : 0**

**Correct Marks : 5 Wrong Marks : 1**

**Question Key Details :**

Key	Value
Comprehension	MCQ

Match List I with List II

LIST I (Concept)		LIST II (Definition)	
A.	Density of population	I.	The working population participation in various occupations
B.	Sex Ratio	II.	Numbers of people in different age groups
C.	Age structure	III.	Ratio between the number of women and men
D.	Occupational Structure	IV.	Ratio between the numbers of people to size of land

Choose the correct answer from the options given below:

- 1. (A)-(IV), (B)-(III), (C)-(II), (D)-(I)
- 2. (A)-(IV), (B)-(II), (C)-(III), (D)-(I)
- 3. (A)-(I), (B)-(II), (C)-(IV), (D)-(III)
- 4. (A)-(IV), (B)-(I), (C)-(III), (D)-(II)

**Options :**

- 485584136289. 1
- 485584136290. 2
- 485584136291. 3
- 485584136292. 4

**Question Number : 169 Question Id : 48558434074 Question Type : MCQ Option Shuffling : No Is Question Mandatory : No Calculator : None Response Time : N.A Think Time : N.A Minimum Instruction Time : 0**

**Correct Marks : 5 Wrong Marks : 1**

**Question Key Details :**

Key	Value
Comprehension	MCQ

Match List I with List II

LIST I (Trains Continental Railways)		LIST II (Stations)	
A.	Trans-Siberian Railways	I.	Perth to Sydney
B.	Tran-Canadian Railways	II.	St. Petersburg to Vladivostok
C.	The Union and Pacific Railways	III.	New York to San Francisco
D.	The Australian Trans-continental Railways	IV.	Halifax to Vancouver

Choose the correct answer from the options given below:

1. (A)-(II), (B)-(I), (C)-(IV), (D)-(III)
2. (A)-(II), (B)-(IV), (C)-(III), (D)-(I)
3. (A)-(II), (B)-(III), (C)-(IV), (D)-(I)
4. (A)-(IV), (B)-(III), (C)-(I), (D)-(II)

**Options :**

485584136293. 1  
485584136294. 2  
485584136295. 3  
485584136296. 4

**Question Number : 170 Question Id : 48558434075 Question Type : MCQ Option Shuffling : No Is Question Mandatory : No Calculator : None Response Time : N.A Think Time : N.A Minimum Instruction Time : 0**

**Correct Marks : 5 Wrong Marks : 1**

**Question Key Details :**

Key	Value
Comprehension	MCQ

Match List I with List II

LIST I (Aspects of International Trade)		LIST II (Characteristics)	
A.	Multi-lateral Trade	I.	Trade is done by two countries with each other
B.	Volume of Trade	II.	The nature of goods and services imported and exported by countries
C.	Composition of Trade	III.	Trade is conducted with many trading countries
D.	Bilateral Trade	IV.	The total value of goods and services traded

Choose the correct answer from the options given below:

1. (A)-(III), (B)-(IV), (C)-(I), (D)-(II)
2. (A)-(III), (B)-(IV), (C)-(II), (D)-(I)
3. (A)-(III), (B)-(II), (C)-(IV), (D)-(I)
4. (A)-(IV), (B)-(II), (C)-(III), (D)-(I)

**Options :**

485584136297. 1  
485584136298. 2  
485584136299. 3  
485584136300. 4

**Question Number : 171 Question Id : 48558434076 Question Type : MCQ Option Shuffling : No Is Question Mandatory : No Calculator : None Response Time : N.A Think Time : N.A Minimum Instruction Time : 0**

**Correct Marks : 5 Wrong Marks : 1**

**Question Key Details :**

Key	Value
Comprehension	MCQ

According to 2011, the highest population density is recorded in \_\_\_\_\_

1. West Bengal
2. Kerala
3. Bihar
4. Uttar Pradesh

**Options :**

485584136301. 1  
485584136302. 2  
485584136303. 3  
485584136304. 4

**Question Number : 172 Question Id : 48558434077 Question Type : MCQ Option Shuffling : No Is Question Mandatory : No Calculator : None Response Time : N.A Think Time : N.A Minimum Instruction Time : 0**

**Correct Marks : 5 Wrong Marks : 1**

**Question Key Details :**

Key	Value
Comprehension	MCQ

Both the birth rate and death rate were high in India during \_\_\_\_\_.

1. 1901 - 1921
2. 1921 - 1951
3. 1951 - 1981
4. After 1981

**Options :**

- 485584136305. 1
- 485584136306. 2
- 485584136307. 3
- 485584136308. 4

**Question Number : 173 Question Id : 48558434078 Question Type : MCQ Option Shuffling : No Is Question Mandatory : No Calculator : None Response Time : N.A Think Time : N.A Minimum Instruction Time : 0**

**Correct Marks : 5 Wrong Marks : 1**

**Question Key Details :**

Key	Value
Comprehension	MCQ

Arunachal Pradesh is dominated by the speakers of \_\_\_\_\_ family of Indian language.

1. Austric
2. Dravidian
3. Sino-Tibetan
4. Indo-European

**Options :**

- 485584136309. 1
- 485584136310. 2
- 485584136311. 3
- 485584136312. 4

**Question Number : 174 Question Id : 48558434079 Question Type : MCQ Option Shuffling : No Is Question Mandatory : No Calculator : None Response Time : N.A Think Time : N.A Minimum Instruction Time : 0**

**Correct Marks : 5 Wrong Marks : 1**

**Question Key Details :**

Key	Value
Comprehension	MCQ

The Agenda - 21 Report of the Rio Conference was published in \_\_\_\_\_.

1. 1972
2. 1974
3. 1987
4. 1993

**Options :**

- 485584136313. 1
- 485584136314. 2
- 485584136315. 3
- 485584136316. 4

**Question Number : 175 Question Id : 48558434080 Question Type : MCQ Option Shuffling : No Is Question Mandatory : No Calculator : None Response Time : N.A Think Time : N.A Minimum Instruction Time : 0**

**Correct Marks : 5 Wrong Marks : 1**

**Question Key Details :**

Key	Value
Comprehension	MCQ

Which one of the following is a garrison contonment town ?

1. Chandigarh
2. Satna
3. Raniganj
4. Udhampur

**Options :**

- 485584136317. 1
- 485584136318. 2
- 485584136319. 3
- 485584136320. 4

**Question Number : 176 Question Id : 48558434081 Question Type : MCQ Option Shuffling : No Is Question Mandatory : No Calculator : None Response Time : N.A Think Time : N.A Minimum Instruction Time : 0**

**Correct Marks : 5 Wrong Marks : 1**

**Question Key Details :**

Key	Value
Comprehension	MCQ

A population size of 5000 - 9,999 is put into which class of town according to 2011 census of India ?

1. Class – III
2. Class – IV
3. Class – V
4. Class – VI

**Options :**

485584136321. 1  
485584136322. 2  
485584136323. 3  
485584136324. 4

**Question Number : 177 Question Id : 48558434082 Question Type : MCQ Option Shuffling : No Is Question Mandatory : No Calculator : None Response Time : N.A Think Time : N.A Minimum Instruction Time : 0**

**Correct Marks : 5 Wrong Marks : 1**

**Question Key Details :**

Key	Value
Comprehension	MCQ

Which one of the following minerals is mainly used in the electrical and electronic industries ?

1. Graphite
2. Mica
3. Manganese
4. Bauxite

**Options :**

485584136325. 1  
485584136326. 2  
485584136327. 3  
485584136328. 4

**Question Number : 178 Question Id : 48558434083 Question Type : MCQ Option Shuffling : No Is Question Mandatory : No Calculator : None Response Time : N.A Think Time : N.A Minimum Instruction Time : 0**

**Correct Marks : 5 Wrong Marks : 1**

**Question Key Details :**

Key	Value
Comprehension	MCQ



Which of the following energy plant has been commissioned at Manikaran ?

1. Wind Energy
2. Bio Energy
3. Solar Energy
4. Geothermal Energy

**Options :**

485584136329. 1  
485584136330. 2  
485584136331. 3  
485584136332. 4

**Question Number : 179 Question Id : 48558434084 Question Type : MCQ Option Shuffling : No Is Question Mandatory : No Calculator : None Response Time : N.A Think Time : N.A Minimum Instruction Time : 0**

**Correct Marks : 5 Wrong Marks : 1**

**Question Key Details :**

Key	Value
Comprehension	MCQ

Which steel plant in India has a supply of iron ore from Noamundi, coal from Joda mines, and water from Kharkai river ?

1. Indian Iron and Steel Company (IISCO)
2. Tata Iron and Steel Company (TISCO)
3. Visvesvaraiya Iron and Steel Works Ltd. (VISL)
4. Rourkela Steel Plant

**Options :**

485584136333. 1  
485584136334. 2  
485584136335. 3  
485584136336. 4

**Question Number : 180 Question Id : 48558434085 Question Type : MCQ Option Shuffling : No Is Question Mandatory : No Calculator : None Response Time : N.A Think Time : N.A Minimum Instruction Time : 0**

**Correct Marks : 5 Wrong Marks : 1**

**Question Key Details :**

Key	Value
Comprehension	MCQ

India was famous worldwide for the production of a very fine variety of cotton cloth ?Which of the following was that ?

1. Chanderi
2. Khadi
3. Muslin
4. Lahori

**Options :**

485584136337. 1  
485584136338. 2  
485584136339. 3  
485584136340. 4

**Question Number : 181 Question Id : 48558434086 Question Type : MCQ Option Shuffling : No Is Question Mandatory : No Calculator : None Response Time : N.A Think Time : N.A Minimum Instruction Time : 0**

**Correct Marks : 5 Wrong Marks : 1**

**Question Key Details :**

Key	Value
Comprehension	MCQ

The length of first railway run between Bombay and Thane was \_\_\_\_\_.

1. 32 km
2. 34 km
3. 36 km
4. 38 km

**Options :**

485584136341. 1  
485584136342. 2  
485584136343. 3  
485584136344. 4

**Question Number : 182 Question Id : 48558434087 Question Type : MCQ Option Shuffling : No Is Question Mandatory : No Calculator : None Response Time : N.A Think Time : N.A Minimum Instruction Time : 0**

**Correct Marks : 5 Wrong Marks : 1**

**Question Key Details :**

Key	Value
Comprehension	MCQ

Which one of the following is the cause of intestinal worms ?

1. Water Pollution
2. Air Pollution
3. Noise Pollution
4. Land Pollution

**Options :**

485584136345. 1  
485584136346. 2  
485584136347. 3  
485584136348. 4

**Question Number : 183 Question Id : 48558434088 Question Type : MCQ Option Shuffling : No Is Question Mandatory : No Calculator : None Response Time : N.A Think Time : N.A Minimum Instruction Time : 0**

**Correct Marks : 5 Wrong Marks : 1**

**Question Key Details :**

Key	Value
Comprehension	MCQ

By 2050, an estimated \_\_\_\_\_ of the world's population will live in Urban areas.

1. one-third
2. two-third
3. half
4. three-fourth

**Options :**

485584136349. 1  
485584136350. 2  
485584136351. 3  
485584136352. 4

**Question Number : 184 Question Id : 48558434089 Question Type : MCQ Option Shuffling : No Is Question Mandatory : No Calculator : None Response Time : N.A Think Time : N.A Minimum Instruction Time : 0**

**Correct Marks : 5 Wrong Marks : 1**

**Question Key Details :**

Key	Value
Comprehension	MCQ

Arrange the following oil refineries of India from north to south direction.

- A. Mangaluru
- B. Haldia
- C. Kochchi
- D. Tatipaka

Choose the correct answer from the options given below :

1. (D), (A), (B), (C)
2. (D), (B), (A), (C)
3. (B), (D), (A), (C)
4. (B), (D), (C), (A)

**Options :**

- 485584136353. 1
- 485584136354. 2
- 485584136355. 3
- 485584136356. 4

**Question Number : 185 Question Id : 48558434090 Question Type : MCQ Option Shuffling : No Is Question Mandatory : No Calculator : None Response Time : N.A Think Time : N.A Minimum Instruction Time : 0**

**Correct Marks : 5 Wrong Marks : 1**

**Question Key Details :**

Key	Value
Comprehension	MCQ

Arrange the following software technology parks of India from West to East direction.

- A. Delhi
- B. Kanpur
- C. Kolkata
- D. Gandhinagar

Choose the correct answer from the options given below :

1. (D), (A), (C), (B)
2. (D), (C), (B), (A)
3. (D), (A), (B), (C)
4. (A), (D), (B), (C)

**Options :**

- 485584136357. 1
- 485584136358. 2
- 485584136359. 3
- 485584136360. 4

**Question Number : 186 Question Id : 48558434091 Question Type : MCQ Option Shuffling : No Is Question Mandatory : No Calculator : None Response Time : N.A Think Time : N.A Minimum Instruction Time : 0**

**Correct Marks : 5 Wrong Marks : 1**

**Question Key Details :**

Key	Value
Comprehension	MCQ

Read the following statements about rice crop in India carefully.

- A. It is considered to be a crop of tropical humid areas.
- B. Rice cultivation in the irrigated areas of Punjab and Haryana was introduced in 1950s.
- C. In West Bengal farmers grow three crops of rice.
- D. India was the second largest producer of rice in 2018.

Choose the correct answer from the options given below :

- 1. (A), (B) and (C) only
- 2. (A), (C) and (D) only
- 3. (B), (C) and (D) only
- 4. (A), (B) and (D) only

**Options :**

- 485584136361. 1
- 485584136362. 2
- 485584136363. 3
- 485584136364. 4

**Question Number : 187 Question Id : 48558434092 Question Type : MCQ Option Shuffling : No Is Question Mandatory : No Calculator : None Response Time : N.A Think Time : N.A Minimum Instruction Time : 0**

**Correct Marks : 5 Wrong Marks : 1**

**Question Key Details :**

Key	Value
Comprehension	MCQ

Read the following statements about tea Crop in India carefully.

- A. Tea is a plantation crop
- B. Tea leaves have rich content of caffeine and tannin
- C. Tea is an indigenous crop of India
- D. It is grown our undulating topography of hilly area

Choose the correct answer from the options given below :

- 1. (A), (B) and (C) only
- 2. (A), (B) and (D) only
- 3. (A), (C) and (D) only
- 4. (B), (C) and (D) only

**Options :**

485584136365. 1  
485584136366. 2  
485584136367. 3  
485584136368. 4

**Question Number : 188 Question Id : 48558434093 Question Type : MCQ Option Shuffling : No Is Question Mandatory : No Calculator : None Response Time : N.A Think Time : N.A Minimum Instruction Time : 0**

**Correct Marks : 5 Wrong Marks : 1**

**Question Key Details :**

Key	Value
Comprehension	MCQ

Read the following statements about Coal deposit in India carefully.

- A. About 80 per cent of the coal deposit in India is lignite type.
- B. The most important Gondwans Coal fields of India are located in Damodar Valley.
- C. Tharia is the largest coal field of India.
- D. Korba coal mining centre is located in West Bengal

Choose the correct answer from the options given below :

- 1. (A), (B) and (C) only
- 2. (A), (C) and (D) only
- 3. (A), (B) and (D) only
- 4. (B), (C) and (D) only

**Options :**

485584136369. 1  
485584136370. 2  
485584136371. 3  
485584136372. 4

**Question Number : 189 Question Id : 48558434094 Question Type : MCQ Option Shuffling : No Is Question Mandatory : No Calculator : None Response Time : N.A Think Time : N.A Minimum Instruction Time : 0**

**Correct Marks : 5 Wrong Marks : 1**

**Question Key Details :**

Key	Value
Comprehension	MCQ

Match List I with List II

LIST I (State)		LIST II (Total Literacy Rate 2011)	
A.	Bihar	I.	69.72
B.	Kerala	II.	87.40
C.	Goa	III.	93.91
D.	Uttar Pradesh	IV.	63.82

Choose the correct answer from the options given below:

1. (A)-(I), (B)-(II), (C)-(III), (D)-(IV)
2. (A)-(II), (B)-(IV), (C)-(I), (D)-(III)
3. (A)-(IV), (B)-(III), (C)-(II), (D)-(I)
4. (A)-(I), (B)-(III), (C)-(II), (D)-(IV)

**Options :**

485584136373. 1  
485584136374. 2  
485584136375. 3  
485584136376. 4

**Question Number : 190 Question Id : 48558434095 Question Type : MCQ Option Shuffling : No Is Question Mandatory : No Calculator : None Response Time : N.A Think Time : N.A Minimum Instruction Time : 0**

**Correct Marks : 5 Wrong Marks : 1**

**Question Key Details :**

Key	Value
Comprehension	MCQ

Match List I with List II

LIST I (Types to town)		LIST II (Examples)	
A.	Ancient Town	I.	Nagpur
B.	Medieval Town	II.	Gandhinagar
C.	Modern Town	III.	Madurai
D.	After Independence Town	IV.	Surat

Choose the correct answer from the options given below:

1. (A)-(III), (B)-(I), (C)-(II), (D)-(IV)
2. (A)-(I), (B)-(II), (C)-(IV), (D)-(III)
3. (A)-(III), (B)-(I), (C)-(IV), (D)-(II)
4. (A)-(I), (B)-(IV), (C)-(III), (D)-(II)

**Options :**

- 485584136377. 1
- 485584136378. 2
- 485584136379. 3
- 485584136380. 4

**Sub-Section Number :** 2  
**Sub-Section Id :** 4855842537  
**Question Shuffling Allowed :** No  
**Is Section Default? :** null

**Question Number : 191 Question Id : 48558434096 Question Type : MCQ Option Shuffling : No Is Question Mandatory :**  
**No Calculator : None Response Time : N.A Think Time : N.A Minimum Instruction Time : 0**  
**Correct Marks : 5 Wrong Marks : 1**

**Question Key Details :**

Key	Value
Comprehension	Comp1

Read the given passage carefully and answer following question .

The Ruhr Coal field of Germany has been one of the major industrial regions of Europe for a long time. Coal and iron and steel formed the basis of the economy, but as the demand for coal declined, the industry started shrinking. Even after the iron ore was exhausted, the industry remained, using imported ore brought by waterways to the Ruhr.

The Ruhr region is responsible for 80 per cent of Germany's total steel production. Changes in the industrial structure have led to the decay of some areas, and there are problems of industrial waste and pollution. The future prosperity of the Ruhr is based less on the products of coal and steel, for which it was initially famous, and more on the new industries like the huge Opel car assembly plant, new chemical plants, universities. Out-of-town shopping centres have appeared resulting in a 'New Ruhr' landscape.

The iron and steel industry forms the base of all other industries and, therefore, it is called a basic industry. It is basic because it provides raw material for other industries such as machine tools used for further production. It may also be called a heavy industry because it uses large quantities of bulky raw materials and its products are also heavy.

Iron is extracted from iron ore by smelting in a blast furnace with carbon (coke) and limestone. The molten iron is cooled and moulded to form pig iron which is used for converting into steel by adding strengthening materials manganese.

\_\_\_\_\_ and \_\_\_\_\_ formed the basis of the economy Ruhr region.

1. Coal, Petrochemical
2. Iron and Steel, coal
3. Iron and Steel, Cotton textile
4. Cotton textile and Petrochemical

**Options :**

- 485584136381. 1
- 485584136382. 2
- 485584136383. 3
- 485584136384. 4

**Question Number : 192 Question Id : 48558434097 Question Type : MCQ Option Shuffling : No Is Question Mandatory :**  
**No Calculator : None Response Time : N.A Think Time : N.A Minimum Instruction Time : 0**



Correct Marks : 5 Wrong Marks : 1

Question Key Details :

Key	Value
Comprehension	Comp1

Read the given passage carefully and answer following question .

The Ruhr Coal field of Germany has been one of the major industrial regions of Europe for a long time. Coal and iron and steel formed the basis of the economy, but as the demand for coal declined, the industry started shrinking. Even after the iron ore was exhausted, the industry remained, using imported ore brought by waterways to the Ruhr.

The Ruhr region is responsible for 80 per cent of Germany's total steel production. Changes in the industrial structure have led to the decay of some areas, and there are problems of industrial waste and pollution. The future prosperity of the Ruhr is based less on the products of coal and steel, for which it was initially famous, and more on the new industries like the huge Opel car assembly plant, new chemical plants, universities. Out-of-town shopping centres have appeared resulting in a 'New Ruhr' landscape.

The iron and steel industry forms the base of all other industries and, therefore, it is called a basic industry. It is basic because it provides raw material for other industries such as machine tools used for further production. It may also be called a heavy industry because it uses large quantities of bulky raw materials and its products are also heavy.

Iron is extracted from iron ore by smelting in a blast furnace with carbon (coke) and limestone. The molten iron is cooled and moulded to form pig iron which is used for converting into steel by adding strengthening materials manganese.

Ruhr region contribute \_\_\_\_\_ of Germany's total steel production.

1. 73%
2. 77%
3. 80%
4. 83%

Options :

- 485584136385. 1
- 485584136386. 2
- 485584136387. 3
- 485584136388. 4

Question Number : 193 Question Id : 48558434098 Question Type : MCQ Option Shuffling : No Is Question Mandatory : No Calculator : None Response Time : N.A Think Time : N.A Minimum Instruction Time : 0

Correct Marks : 5 Wrong Marks : 1

Question Key Details :

Key	Value
Comprehension	Comp1

Read the given passage carefully and answer following question .

The Ruhr Coal field of Germany has been one of the major industrial regions of Europe for a long time. Coal and iron and steel formed the basis of the economy, but as the demand for coal declined, the industry started shrinking. Even after the iron ore was exhausted, the industry remained, using imported ore brought by waterways to the Ruhr.

The Ruhr region is responsible for 80 per cent of Germany's total steel production. Changes in the industrial structure have led to the decay of some areas, and there are problems of industrial waste and pollution. The future prosperity of the Ruhr is based less on the products of coal and steel, for which it was initially famous, and more on the new industries like the huge Opel car assembly plant, new chemical plants, universities. Out-of-town shopping centres have appeared resulting in a 'New Ruhr' landscape.

The iron and steel industry forms the base of all other industries and, therefore, it is called a basic industry. It is basic because it provides raw material for other industries such as machine tools used for further production. It may also be called a heavy industry because it uses large quantities of bulky raw materials and its products are also heavy.

Iron is extracted from iron ore by smelting in a blast furnace with carbon (coke) and limestone. The molten iron is cooled and moulded to form pig iron which is used for converting into steel by adding strengthening materials manganese.

The assembly of \_\_\_\_\_ car is done in the Ruhr region of Germany.

1. Opel
2. Napel
3. Napthel
4. Onthel

**Options :**

485584136389. 1  
485584136390. 2  
485584136391. 3  
485584136392. 4

**Question Number : 194 Question Id : 48558434099 Question Type : MCQ Option Shuffling : No Is Question Mandatory : No Calculator : None Response Time : N.A Think Time : N.A Minimum Instruction Time : 0**

**Correct Marks : 5 Wrong Marks : 1**

**Question Key Details :**

Key	Value
Comprehension	Compl

Read the given passage carefully and answer following question .

The Ruhr Coal field of Germany has been one of the major industrial regions of Europe for a long time. Coal and iron and steel formed the basis of the economy, but as the demand for coal declined, the industry started shrinking. Even after the iron ore was exhausted, the industry remained, using imported ore brought by waterways to the Ruhr.

The Ruhr region is responsible for 80 per cent of Germany's total steel production. Changes in the industrial structure have led to the decay of some areas, and there are problems of industrial waste and pollution. The future prosperity of the Ruhr is based less on the products of coal and steel, for which it was initially famous, and more on the new industries like the huge Opel car assembly plant, new chemical plants, universities. Out-of-town shopping centres have appeared resulting in a 'New Ruhr' landscape.

The iron and steel industry forms the base of all other industries and, therefore, it is called a basic industry. It is basic because it provides raw material for other industries such as machine tools used for further production. It may also be called a heavy industry because it uses large quantities of bulky raw materials and its products are also heavy.

Iron is extracted from iron ore by smelting in a blast furnace with carbon (coke) and limestone. The molten iron is cooled and moulded to form pig iron which is used for converting into steel by adding strengthening materials manganese.

Iron and Steel industry is called \_\_\_\_\_ industry.

1. Basic
2. Secondary
3. Tertiary
4. Quaternary

**Options :**

485584136393. 1  
485584136394. 2  
485584136395. 3  
485584136396. 4

**Question Number : 195 Question Id : 48558434100 Question Type : MCQ Option Shuffling : No Is Question Mandatory : No Calculator : None Response Time : N.A Think Time : N.A Minimum Instruction Time : 0**

**Correct Marks : 5 Wrong Marks : 1**

**Question Key Details :**

Key	Value
Comprehension	Comp1

Read the given passage carefully and answer following question .

The Ruhr Coal field of Germany has been one of the major industrial regions of Europe for a long time. Coal and iron and steel formed the basis of the economy, but as the demand for coal declined, the industry started shrinking. Even after the iron ore was exhausted, the industry remained, using imported ore brought by waterways to the Ruhr.

The Ruhr region is responsible for 80 per cent of Germany's total steel production. Changes in the industrial structure have led to the decay of some areas, and there are problems of industrial waste and pollution. The future prosperity of the Ruhr is based less on the products of coal and steel, for which it was initially famous, and more on the new industries like the huge Opel car assembly plant, new chemical plants, universities. Out-of-town shopping centres have appeared resulting in a 'New Ruhr' landscape.

The iron and steel industry forms the base of all other industries and, therefore, it is called a basic industry. It is basic because it provides raw material for other industries such as machine tools used for further production. It may also be called a heavy industry because it uses large quantities of bulky raw materials and its products are also heavy.

Iron is extracted from iron ore by smelting in a blast furnace with carbon (coke) and limestone. The molten iron is cooled and moulded to form pig iron which is used for converting into steel by adding strengthening materials manganese.

\_\_\_\_\_ is added to strengthen the material for making steel.

1. Mica
2. Limestone
3. Coke
4. Manganese

**Options :**

485584136397. 1  
485584136398. 2  
485584136399. 3  
485584136400. 4

**Sub-Section Number :** 3  
**Sub-Section Id :** 4855842538  
**Question Shuffling Allowed :** No  
**Is Section Default? :** null

**Question Number : 196 Question Id : 48558434101 Question Type : MCQ Option Shuffling : No Is Question Mandatory : No Calculator : None Response Time : N.A Think Time : N.A Minimum Instruction Time : 0**

**Correct Marks : 5 Wrong Marks : 1**

**Question Key Details :**

Key	Value
Comprehension	Comp2

Study the given table carefully and answer the following question:

Composition of India's Export, 2009-2017

(Percentage share in Exports)

Commodities	2009-10	2010-11	2015-16	2016-17
Agriculture and allied products	10.0	9.9	12.6	12.3
Ore and Minerals	4.9	4.0	1.6	1.9
Manufactured goods	67.4	68.0	72.9	73.6
Crude and petroleum products	16.2	16.8	11.9	11.7
Other Commodities	1.5	1.2	1.1	0.5

How many of the following export commodities are showing an increasing trend between 2015 - 16 to 2016 - 17 ?

1. 1
2. 2
3. 3
4. 4

**Options :**

485584136401. 1  
485584136402. 2  
485584136403. 3  
485584136404. 4

**Question Number : 197 Question Id : 48558434102 Question Type : MCQ Option Shuffling : No Is Question Mandatory : No Calculator : None Response Time : N.A Think Time : N.A Minimum Instruction Time : 0**

**Correct Marks : 5 Wrong Marks : 1**

**Question Key Details :**

Key	Value
Comprehension	Comp2

Study the given table carefully and answer the following question:

Composition of India's Export, 2009-2017

(Percentage share in Exports)

Commodities	2009-10	2010-11	2015-16	2016-17
Agriculture and allied products	10.0	9.9	12.6	12.3
Ore and Minerals	4.9	4.0	1.6	1.9
Manufactured goods	67.4	68.0	72.9	73.6
Crude and petroleum products	16.2	16.8	11.9	11.7
Other Commodities	1.5	1.2	1.1	0.5

In 2015 - 16, if agriculture and allied products and manufactured goods percentages are added, it would be \_\_\_\_\_.

1. 84.5%
2. 85.0%
3. 85.5%
4. 86.0%

**Options :**

485584136405. 1  
485584136406. 2  
485584136407. 3  
485584136408. 4

**Question Number : 198 Question Id : 48558434103 Question Type : MCQ Option Shuffling : No Is Question Mandatory : No Calculator : None Response Time : N.A Think Time : N.A Minimum Instruction Time : 0**

**Correct Marks : 5 Wrong Marks : 1**

**Question Key Details :**

Key	Value
Comprehension	Comp2

Study the given table carefully and answer the following question:

Composition of India's Export, 2009-2017

(Percentage share in Exports)

Commodities	2009-10	2010-11	2015-16	2016-17
Agriculture and allied products	10.0	9.9	12.6	12.3
Ore and Minerals	4.9	4.0	1.6	1.9
Manufactured goods	67.4	68.0	72.9	73.6
Crude and petroleum products	16.2	16.8	11.9	11.7
Other Commodities	1.5	1.2	1.1	0.5

Which of the following export commodities registered increasing trends from 2009 - 10 to 2010 - 11 ?

1. Ore and minerals and manufactured
2. Agriculture and allied product and crude and petroleum products
3. Manufactured goods and other commodities
4. Manufactured goods and crud and petroleum products

**Options :**

485584136409. 1  
485584136410. 2  
485584136411. 3

**Question Number : 199 Question Id : 48558434104 Question Type : MCQ Option Shuffling : No Is Question Mandatory : No Calculator : None Response Time : N.A Think Time : N.A Minimum Instruction Time : 0**

**Correct Marks : 5 Wrong Marks : 1**

**Question Key Details :**

Key	Value
Comprehension	Comp2

Study the given table carefully and answer the following question:

Composition of India's Export, 2009-2017

(Percentage share in Exports)

Commodities	2009-10	2010-11	2015-16	2016-17
Agriculture and allied products	10.0	9.9	12.6	12.3
Ore and Minerals	4.9	4.0	1.6	1.9
Manufactured goods	67.4	68.0	72.9	73.6
Crude and petroleum products	16.2	16.8	11.9	11.7
Other Commodities	1.5	1.2	1.1	0.5

Percentage increase in manufactured goods from 2010 - 11 to 2015 - 16 is reported by which one of the following ?

1. 1.9%
2. 2.9%
3. 3.9%
4. 4.9%

**Options :**

485584136413. 1  
485584136414. 2  
485584136415. 3  
485584136416. 4

**Question Number : 200 Question Id : 48558434105 Question Type : MCQ Option Shuffling : No Is Question Mandatory : No Calculator : None Response Time : N.A Think Time : N.A Minimum Instruction Time : 0**

**Correct Marks : 5 Wrong Marks : 1**

**Question Key Details :**

Key	Value
Comprehension	Comp2

Study the given table carefully and answer the following question:

Composition of India's Export, 2009-2017

(Percentage share in Exports)

Commodities	2009-10	2010-11	2015-16	2016-17
Agriculture and allied products	10.0	9.9	12.6	12.3
Ore and Minerals	4.9	4.0	1.6	1.9
Manufactured goods	67.4	68.0	72.9	73.6
Crude and petroleum products	16.2	16.8	11.9	11.7
Other Commodities	1.5	1.2	1.1	0.5

The highest difference in percentage between, 2010 - 11 to 2015 - 16 is associated with which of the following categories ?

1. Agriculture and allied products
2. Ore and Minerals
3. Manufactured goods
4. Other Commodities

**Options :**

485584136417. 1  
485584136418. 2  
485584136419. 3  
485584136420. 4

## History

Group Number :	10
Group Id :	485584777
Group Maximum Duration :	45
Group Minimum Duration :	45
Show Attended Group? :	No
Edit Attended Group? :	No
Break time :	0
Group Marks :	200
Is this Group for Examiner? :	No
Examiner permission :	Cant View
Show Progress Bar? :	No

## History

Section Id :	485584895
Section Number :	1
Section type :	Online
Mandatory or Optional :	Mandatory



Number of Questions : 50  
Number of Questions to be attempted : 40  
Section Marks : 200  
Enable Mark as Answered Mark for Review and Clear Response : Yes  
Maximum Instruction Time : 0  
Sub-Section Number : 1  
Sub-Section Id : 4855842539  
Question Shuffling Allowed : Yes  
Is Section Default? : null

Question Number : 201 Question Id : 48558434156 Question Type : MCQ Option Shuffling : No Is Question Mandatory : No Calculator : None Response Time : N.A Think Time : N.A Minimum Instruction Time : 0

Correct Marks : 5 Wrong Marks : 1

Question Key Details :

Key	Value
Comprehension	MCQ

Which of the following is **NOT True** of the 'Objectives Resolution'?

1. It proclaimed India to be an 'Independent Sovereign Republic'.
2. It guaranteed its citizens justice, equality and freedom.
3. Nehru located history of Constitution-making in India within a longer history of struggle for liberty and freedom.
4. The ideas and provisions of the Constitution introduced in India could be derived colonial past.

Options :

485584136621. 1  
485584136622. 2  
485584136623. 3  
485584136624. 4

Question Number : 202 Question Id : 48558434157 Question Type : MCQ Option Shuffling : No Is Question Mandatory : No Calculator : None Response Time : N.A Think Time : N.A Minimum Instruction Time : 0

Correct Marks : 5 Wrong Marks : 1

Question Key Details :

Key	Value
Comprehension	MCQ

The 'Constituent Assembly' was composed of how many members?

1. 250
2. 120
3. 300
4. 522

Options :

485584136625. 1  
485584136626. 2

485584136627. 3

485584136628. 4

**Question Number : 203 Question Id : 48558434158 Question Type : MCQ Option Shuffling : No Is Question Mandatory : No Calculator : None Response Time : N.A Think Time : N.A Minimum Instruction Time : 0**

**Correct Marks : 5 Wrong Marks : 1**

**Question Key Details :**

Key	Value
Comprehension	MCQ

The 'Great Calcutta Killings' took place in which year?

1. 1946

2. 1945

3. 1947

4. 1943

**Options :**

485584136629. 1

485584136630. 2

485584136631. 3

485584136632. 4

**Question Number : 204 Question Id : 48558434159 Question Type : MCQ Option Shuffling : No Is Question Mandatory : No Calculator : None Response Time : N.A Think Time : N.A Minimum Instruction Time : 0**

**Correct Marks : 5 Wrong Marks : 1**

**Question Key Details :**

Key	Value
Comprehension	MCQ

Which Governor General adopted policies that abolished 'Sati'?

1. Henry Hardings

2. William Bentinck

3. Canning

4. Dalhousie

**Options :**

485584136633. 1

485584136634. 2

485584136635. 3

485584136636. 4

**Question Number : 205 Question Id : 48558434160 Question Type : MCQ Option Shuffling : No Is Question Mandatory : No Calculator : None Response Time : N.A Think Time : N.A Minimum Instruction Time : 0**

**Correct Marks : 5 Wrong Marks : 1**

**Question Key Details :**

Key	Value
-----	-------

Comprehension	MCQ
---------------	-----

Who wrote one of the earliest histories of the Uprising of 1857?

1. Francis Grant
2. Captain Hearsey
3. Charles Ball
4. Colin Campbell

**Options :**

485584136637. 1  
485584136638. 2  
485584136639. 3  
485584136640. 4

**Question Number : 206 Question Id : 48558434161 Question Type : MCQ Option Shuffling : No Is Question Mandatory : No Calculator : None Response Time : N.A Think Time : N.A Minimum Instruction Time : 0**

**Correct Marks : 5 Wrong Marks : 1**

**Question Key Details :**

Key	Value
Comprehension	MCQ

Which region was known as the 'nursery of the Bengal Army' as many sepoys were recruited from the region?

1. Jhansi
2. Satara
3. Awadh
4. Delhi

**Options :**

485584136641. 1  
485584136642. 2  
485584136643. 3  
485584136644. 4

**Question Number : 207 Question Id : 48558434162 Question Type : MCQ Option Shuffling : No Is Question Mandatory : No Calculator : None Response Time : N.A Think Time : N.A Minimum Instruction Time : 0**

**Correct Marks : 5 Wrong Marks : 1**

**Question Key Details :**

Key	Value
Comprehension	MCQ

Where was the 'Summary Settlement' of 1856 imposed?

1. Jhansi
2. Bengal
3. Kanpur
4. Awadh

**Options :**

485584136645. 1  
485584136646. 2  
485584136647. 3  
485584136648. 4

**Question Number : 208 Question Id : 48558434163 Question Type : MCQ Option Shuffling : No Is Question Mandatory : No Calculator : None Response Time : N.A Think Time : N.A Minimum Instruction Time : 0**

**Correct Marks : 5 Wrong Marks : 1**

**Question Key Details :**

Key	Value
Comprehension	MCQ

Who went around mobilising the headman and cultivators of Chaurasee des (eighty-four villages) in 1857?

1. Maului Ahmadullah Shah
2. Henry Lawrence
3. Hanwant Singh
4. Shah Mal

**Options :**

485584136649. 1  
485584136650. 2  
485584136651. 3  
485584136652. 4

**Question Number : 209 Question Id : 48558434164 Question Type : MCQ Option Shuffling : No Is Question Mandatory : No Calculator : None Response Time : N.A Think Time : N.A Minimum Instruction Time : 0**

**Correct Marks : 5 Wrong Marks : 1**

**Question Key Details :**

Key	Value
Comprehension	MCQ

Colonial rule was first established in which part of India?

1. Bombay
2. Madras
3. Bengal
4. Punjab

**Options :**

485584136653. 1  
485584136654. 2  
485584136655. 3  
485584136656. 4

**Question Number : 210 Question Id : 48558434165 Question Type : MCQ Option Shuffling : No Is Question Mandatory : No Calculator : None Response Time : N.A Think Time : N.A Minimum Instruction Time : 0**

**Correct Marks : 5 Wrong Marks : 1**

**Question Key Details :**

Key	Value
Comprehension	MCQ

Colonial officials were strongly influenced by the ideas of which British economic thinker in 19th-century?

1. Adam Smith
2. J. M. Keynes
3. David Ricardo
4. Thomas Paine

**Options :**

485584136657. 1  
485584136658. 2  
485584136659. 3  
485584136660. 4

**Question Number : 211 Question Id : 48558434166 Question Type : MCQ Option Shuffling : No Is Question Mandatory : No Calculator : None Response Time : N.A Think Time : N.A Minimum Instruction Time : 0**

**Correct Marks : 5 Wrong Marks : 1**

**Question Key Details :**

Key	Value
Comprehension	MCQ

Where was Satyajit Ray's 'Jalsaghar' filmed?

1. Andul Raj Palace
2. City Palace
3. Rajmahal
4. Jangal Mahal

**Options :**

485584136661. 1  
485584136662. 2  
485584136663. 3  
485584136664. 4

**Question Number : 212 Question Id : 48558434167 Question Type : MCQ Option Shuffling : No Is Question Mandatory : No Calculator : None Response Time : N.A Think Time : N.A Minimum Instruction Time : 0**

**Correct Marks : 5 Wrong Marks : 1**

**Question Key Details :**

Key	Value
Comprehension	MCQ

Who wrote 'Char Chaman': describing the Mughal nobility?

1. Chandrabahan Barahman
2. Antonio Monserrate
3. Abu'l Hasan
4. Muhammad Husayn

**Options :**

485584136665. 1  
485584136666. 2  
485584136667. 3  
485584136668. 4

**Question Number : 213 Question Id : 48558434168 Question Type : MCQ Option Shuffling : No Is Question Mandatory : No Calculator : None Response Time : N.A Think Time : N.A Minimum Instruction Time : 0**

**Correct Marks : 5 Wrong Marks : 1**

**Question Key Details :**

Key	Value
Comprehension	MCQ

Which chronicle was gifted by Nawab of Awadh to King George III in 1799.

1. Akbarnama
2. Shahjahan Nama
3. Badshah Nama
4. Alamgir Nama

**Options :**

485584136669. 1  
485584136670. 2  
485584136671. 3  
485584136672. 4

**Question Number : 214 Question Id : 48558434169 Question Type : MCQ Option Shuffling : No Is Question Mandatory : No Calculator : None Response Time : N.A Think Time : N.A Minimum Instruction Time : 0**

**Correct Marks : 5 Wrong Marks : 1**

**Question Key Details :**

Key	Value
Comprehension	MCQ

What was the meaning of 'Jangama' in 12th-century Karnataka?

1. Sayings
2. Wandering Monks
3. Incarnations
4. Four Thousand Sacred Compositions

**Options :**

485584136673. 1  
485584136674. 2  
485584136675. 3  
485584136676. 4

**Question Number : 215 Question Id : 48558434170 Question Type : MCQ Option Shuffling : No Is Question Mandatory : No Calculator : None Response Time : N.A Think Time : N.A Minimum Instruction Time : 0**

**Correct Marks : 5 Wrong Marks : 1**

**Question Key Details :**

Key	Value
Comprehension	MCQ

'Kabir Granthavali' is associated with which of the following traditions?

1. Kabirpanth in Varanasi
2. Dadupanth in Rajasthan
3. Kabirpanth in Bengal
4. Kabirvani in Adi Granth Sahib

**Options :**

485584136677. 1  
485584136678. 2  
485584136679. 3  
485584136680. 4

**Question Number : 216 Question Id : 48558434171 Question Type : MCQ Option Shuffling : No Is Question Mandatory : No Calculator : None Response Time : N.A Think Time : N.A Minimum Instruction Time : 0**

**Correct Marks : 5 Wrong Marks : 1**

**Question Key Details :**

Key	Value
Comprehension	MCQ

'Malfuzat' an important source for constructing history is \_\_\_\_\_.

1. A record of conversations of sufi saints.
2. A record of agrarian tax.
3. A record of kings announcement.
4. A collection of letters written by sufi saints.

**Options :**

485584136681. 1  
485584136682. 2  
485584136683. 3  
485584136684. 4

**Question Number : 217 Question Id : 48558434172 Question Type : MCQ Option Shuffling : No Is Question Mandatory : No Calculator : None Response Time : N.A Think Time : N.A Minimum Instruction Time : 0**

**Correct Marks : 5 Wrong Marks : 1**

**Question Key Details :**

Key	Value
Comprehension	MCQ



Who described Mughal cities of the 17th-century as 'Camp Towns'?

1. Francois Bernier
2. Pelsaert
3. Abu'l Fazl
4. Karl Marx

**Options :**

485584136685. 1  
485584136686. 2  
485584136687. 3  
485584136688. 4

**Question Number : 218 Question Id : 48558434173 Question Type : MCQ Option Shuffling : No Is Question Mandatory : No Calculator : None Response Time : N.A Think Time : N.A Minimum Instruction Time : 0**

**Correct Marks : 5 Wrong Marks : 1**

**Question Key Details :**

Key	Value
Comprehension	MCQ

Who among the following were known as 'materialists' in Sixth BCE India.

1. Ajivikas
2. Lokayatas
3. Buddhists
4. Jains

**Options :**

485584136689. 1  
485584136690. 2  
485584136691. 3  
485584136692. 4

**Question Number : 219 Question Id : 48558434174 Question Type : MCQ Option Shuffling : No Is Question Mandatory : No Calculator : None Response Time : N.A Think Time : N.A Minimum Instruction Time : 0**

**Correct Marks : 5 Wrong Marks : 1**

**Question Key Details :**

Key	Value
Comprehension	MCQ

Which amongst the following is another name for the 'Buddha'?

1. Tirthankara
2. Theragatha
3. Theravadva
4. Tathagatha

**Options :**

485584136693. 1  
485584136694. 2  
485584136695. 3  
485584136696. 4

**Question Number : 220 Question Id : 48558434175 Question Type : MCQ Option Shuffling : No Is Question Mandatory : No Calculator : None Response Time : N.A Think Time : N.A Minimum Instruction Time : 0**

**Correct Marks : 5 Wrong Marks : 1**

**Question Key Details :**

Key	Value
Comprehension	MCQ

Who was the first women to be ordained as a 'Bhikkhuni'?

1. Yasodhara
2. Purna
3. Radha
4. Mahapajapati Gotami

**Options :**

485584136697. 1  
485584136698. 2  
485584136699. 3  
485584136700. 4

**Question Number : 221 Question Id : 48558434176 Question Type : MCQ Option Shuffling : No Is Question Mandatory : No Calculator : None Response Time : N.A Think Time : N.A Minimum Instruction Time : 0**

**Correct Marks : 5 Wrong Marks : 1**

**Question Key Details :**

Key	Value
Comprehension	MCQ

Which of the following suggests that many people who turned to buddhists enriched it with their own Pre-Buddhist beliefs, practices and ideas?

1. Wheel of Dharma
2. Jataka Scenes
3. Shalabhanjika
4. Mahaparinibbana

**Options :**

485584136701. 1  
485584136702. 2  
485584136703. 3  
485584136704. 4

**Question Number : 222 Question Id : 48558434177 Question Type : MCQ Option Shuffling : No Is Question Mandatory : No Calculator : None Response Time : N.A Think Time : N.A Minimum Instruction Time : 0**

**Correct Marks : 5 Wrong Marks : 1**

**Question Key Details :**

Key	Value
Comprehension	MCQ

Who led a team of dozen scholars in collecting Sanskrit manuscripts and preparing a critical edition of the 'Mahabharata'?

1. V. S. Wakankar
2. B. B. Lal
3. V. S. Sukthankar
4. V. A. Smith

**Options :**

485584136705. 1  
485584136706. 2  
485584136707. 3  
485584136708. 4

**Question Number : 223 Question Id : 48558434178 Question Type : MCQ Option Shuffling : No Is Question Mandatory : No Calculator : None Response Time : N.A Think Time : N.A Minimum Instruction Time : 0**

**Correct Marks : 5 Wrong Marks : 1**

**Question Key Details :**

Key	Value
Comprehension	MCQ

Asokan inscriptions in the North-West of the subcontinent were written in which of the following languages?

1. Prakrit
2. Pali
3. Aramaic
4. Arad-Magadhi

**Options :**

485584136709. 1  
485584136710. 2  
485584136711. 3  
485584136712. 4

**Question Number : 224 Question Id : 48558434179 Question Type : MCQ Option Shuffling : No Is Question Mandatory : No Calculator : None Response Time : N.A Think Time : N.A Minimum Instruction Time : 0**

**Correct Marks : 5 Wrong Marks : 1**

**Question Key Details :**

Key	Value
Comprehension	MCQ

Which of the following time period is related to the emergence of early states in Indian history?

1. First Century BCE
2. Sixth Century BCE
3. Eighth Century BCE
4. Tenth Century BCE

**Options :**

485584136713. 1  
485584136714. 2  
485584136715. 3  
485584136716. 4

**Question Number : 225 Question Id : 48558434180 Question Type : MCQ Option Shuffling : No Is Question Mandatory : No Calculator : None Response Time : N.A Think Time : N.A Minimum Instruction Time : 0**

**Correct Marks : 5 Wrong Marks : 1**

**Question Key Details :**

Key	Value
Comprehension	MCQ

The 'Prayag Prashasti' was composed by the court poet of which of the following kings?

1. Chandragupta
2. Chandragupta Vikramaditya
3. Samudragupta
4. Skandagupta

**Options :**

485584136717. 1  
485584136718. 2  
485584136719. 3  
485584136720. 4

**Question Number : 226 Question Id : 48558434181 Question Type : MCQ Option Shuffling : No Is Question Mandatory : No Calculator : None Response Time : N.A Think Time : N.A Minimum Instruction Time : 0**

**Correct Marks : 5 Wrong Marks : 1**

**Question Key Details :**

Key	Value
Comprehension	MCQ

Nageshwar and Balakot settlement near the coast in the Harappan Civilisation served as \_\_\_\_\_.

1. Sources of Carnelian
2. Sources of Lapis Lazuli
3. Centre of shell production
4. Sources of gold

**Options :**

485584136721. 1  
485584136722. 2  
485584136723. 3  
485584136724. 4

**Question Number : 227 Question Id : 48558434182 Question Type : MCQ Option Shuffling : No Is Question Mandatory : No Calculator : None Response Time : N.A Think Time : N.A Minimum Instruction Time : 0**

**Correct Marks : 5 Wrong Marks : 1**

**Question Key Details :**

Key	Value
Comprehension	MCQ

Evidence of a ploughed field comes from which of the following Harrapan site?

1. Cholistan
2. Amri-Nal
3. Kalibangan
4. Harappa

**Options :**

485584136725. 1  
485584136726. 2  
485584136727. 3  
485584136728. 4

**Question Number : 228 Question Id : 48558434183 Question Type : MCQ Option Shuffling : No Is Question Mandatory : No Calculator : None Response Time : N.A Think Time : N.A Minimum Instruction Time : 0**

**Correct Marks : 5 Wrong Marks : 1**

**Question Key Details :**

Key	Value
Comprehension	MCQ

Match List I with List II:

LIST I		LIST II	
A.	Dakshyani Velayudhan	I.	Hindustani as language of nation
B.	Hansa Mehta	II.	Removal of social disabilities
C.	R. V. Dhulekar	III.	Justice for women
D.	Shankarrao Deo	IV.	Hindi as national language

Choose the **correct** answer from the options given below:

1. A-II, B-IV, C-I, D-III
2. A-II, B-III, C-IV, D-I
3. A-I, B-II, C-III, D-IV
4. A-I, B-III, C-IV, D-II

**Options :**

485584136729. 1  
485584136730. 2  
485584136731. 3  
485584136732. 4

**Question Number : 229 Question Id : 48558434184 Question Type : MCQ Option Shuffling : No Is Question Mandatory : No Calculator : None Response Time : N.A Think Time : N.A Minimum Instruction Time : 0**

**Correct Marks : 5 Wrong Marks : 1**

**Question Key Details :**

Key	Value
-----	-------

Match List I with List II:

LIST I		LIST II	
A.	Nageshwar	I.	Steatite
B.	Lothal	II.	Lapis Lazuli
C.	Gujarat	III.	Carnelian
D.	Shortughai	IV.	Shell

Choose the **correct** answer from the options given below:

1. A-IV, B-III, C-I, D-II
2. A-I, B-III, C-IV, D-II
3. A-II, B-I, C-IV, D-III
4. A-IV, B-III, C-I, D-II

**Options :**

485584136733. 1  
 485584136734. 2  
 485584136735. 3  
 485584136736. 4

**Question Number : 230 Question Id : 48558434185 Question Type : MCQ Option Shuffling : No Is Question Mandatory : No Calculator : None Response Time : N.A Think Time : N.A Minimum Instruction Time : 0**

**Correct Marks : 5 Wrong Marks : 1**

**Question Key Details :**

Key	Value
Comprehension	MCQ

Match List I with List II:

LIST I		LIST II	
A.	Jesuit	I.	Jean-Baptiste Tavernier
B.	French Jeweller	II.	Danishmand Khan
C.	Italian Doctor	III.	Roberto Nobili
D.	Armenian Noble	IV.	Manucci

Choose the **correct** answer from the options given below:

1. A-IV, B-II, C-I, D-III
2. A-III, B-I, C-II, D-IV
3. A-IV, B-I, C-II, D-III
4. A-III, B-I, C-IV, D-II

**Options :**

- 485584136737. 1
- 485584136738. 2
- 485584136739. 3
- 485584136740. 4

**Question Number : 231 Question Id : 48558434186 Question Type : MCQ Option Shuffling : No Is Question Mandatory : No Calculator : None Response Time : N.A Think Time : N.A Minimum Instruction Time : 0**

**Correct Marks : 5 Wrong Marks : 1**

**Question Key Details :**

Key	Value
Comprehension	MCQ

Match List I with List II:

LIST I		LIST II	
A.	Bargadar	I.	Powerful Zamindar
B.	Raja	II.	Sharecropper
C.	Diku	III.	Strongman of a Zamindar
D.	Lathyal	IV.	Moneylender

Choose the **correct** answer from the options given below:

1. A-I, B-IV, C-II, D-III
2. A-IV, B-II, C-III, D-I
3. A-II, B-I, C-IV, D-III
4. A-IV, B-I, C-II, D-III

**Options :**

- 485584136741. 1
- 485584136742. 2
- 485584136743. 3
- 485584136744. 4

**Question Number : 232 Question Id : 48558434187 Question Type : MCQ Option Shuffling : No Is Question Mandatory : No Calculator : None Response Time : N.A Think Time : N.A Minimum Instruction Time : 0**

**Correct Marks : 5 Wrong Marks : 1**

**Question Key Details :**

Key	Value
Comprehension	MCQ



Which of the following statements are **True** for the Harappan script?

- A. It contains around 400 signs.
- B. It was written from right to left.
- C. It has been deciphered.
- D. It is alphabetical.

Choose the **correct** answer from the options given below:

- 1. A, D only
- 2. A, B only
- 3. B, C only
- 4. B, D only

**Options :**

- 485584136745. 1
- 485584136746. 2
- 485584136747. 3
- 485584136748. 4

**Question Number : 233 Question Id : 48558434188 Question Type : MCQ Option Shuffling : No Is Question Mandatory : No Calculator : None Response Time : N.A Think Time : N.A Minimum Instruction Time : 0**

**Correct Marks : 5 Wrong Marks : 1**

**Question Key Details :**

Key	Value
Comprehension	MCQ

Which of the following terms are used for 'peasants' in Indo-Persian sources?

- A. Raiyat
- B. Muzarian
- C. Do-Fasla
- D. Jins-i-Kamil

Choose the **correct** answer from the options given below:

- 1. A, B only
- 2. B, C only
- 3. A, C only
- 4. C, D only

**Options :**

- 485584136749. 1
- 485584136750. 2
- 485584136751. 3
- 485584136752. 4

**Question Number : 234 Question Id : 48558434189 Question Type : MCQ Option Shuffling : No Is Question Mandatory : No Calculator : None Response Time : N.A Think Time : N.A Minimum Instruction Time : 0**

**Correct Marks : 5 Wrong Marks : 1**

**Question Key Details :**

Key	Value
Comprehension	MCQ

Which of the following were part of the recommendations made by the Constituent Assembly?

- A. Seats in legislature and jobs in government offices be reserved for the lowest caste.
- B. Separate electorates for Depressed Classes.
- C. Hindu temples be thrown open to all castes.
- D. Permanently segregate them from the society.

Choose the **correct** answer from the options given below:

- 1. A, B only
- 2. B, C only
- 3. A, C only
- 4. C, D only

**Options :**

- 485584136753. 1
- 485584136754. 2
- 485584136755. 3
- 485584136756. 4

**Question Number : 235 Question Id : 48558434190 Question Type : MCQ Option Shuffling : No Is Question Mandatory : No Calculator : None Response Time : N.A Think Time : N.A Minimum Instruction Time : 0**

**Correct Marks : 5 Wrong Marks : 1**

**Question Key Details :**

Key	Value
Comprehension	MCQ

Which of the following sites was of late Harappan occupation?

- A. Sutkagendor
- B. Swat
- C. Jhukar
- D. Shortughai

Choose the **correct** answer from the options given below:

- 1. A, D only
- 2. C, D only
- 3. B, C only
- 4. C, A only

**Options :**

485584136757. 1  
485584136758. 2  
485584136759. 3  
485584136760. 4

**Question Number : 236 Question Id : 48558434191 Question Type : MCQ Option Shuffling : No Is Question Mandatory : No Calculator : None Response Time : N.A Think Time : N.A Minimum Instruction Time : 0**

**Correct Marks : 5 Wrong Marks : 1**

**Question Key Details :**

Key	Value
Comprehension	MCQ

Arrange the following in a chronological order according to the year of formation.

- A. All-India Muslim League
- B. Hindu Mahasabha
- C. 1937 Provincial Elections
- D. Lucknow Pact

Choose the **correct** answer from the options given below:

- 1. A, B, C, D
- 2. A, B, D, C
- 3. B, A, D, C
- 4. D, C, B, A

**Options :**

485584136761. 1  
485584136762. 2  
485584136763. 3  
485584136764. 4

**Question Number : 237 Question Id : 48558434192 Question Type : MCQ Option Shuffling : No Is Question Mandatory : No Calculator : None Response Time : N.A Think Time : N.A Minimum Instruction Time : 0**

**Correct Marks : 5 Wrong Marks : 1**

**Question Key Details :**

Key	Value
Comprehension	MCQ

Arrange the following sequentially as per their period of establishment.

- A. Setting up of Supreme Court, Calcutta.
- B. Universities in Bombay, Madras, Calcutta.
- C. Formation of the Asiatic Society in Bengal.
- D. The British in Bombay.

Choose the **correct** answer from the options given below:

- 1. C, B, D, A
- 2. C, B, A, D
- 3. D, A, C, B
- 4. B, C, A, D

**Options :**

- 485584136765. 1
- 485584136766. 2
- 485584136767. 3
- 485584136768. 4

**Question Number : 238 Question Id : 48558434193 Question Type : MCQ Option Shuffling : No Is Question Mandatory : No Calculator : None Response Time : N.A Think Time : N.A Minimum Instruction Time : 0**

**Correct Marks : 5 Wrong Marks : 1**

**Question Key Details :**

Key	Value
Comprehension	MCQ

Arrange the following in a hierarchal order in context of British India Company Rule.

- A. Ryots
- B. Jotedars
- C. The Permanent Settlement
- D. Zamindar

Choose the **correct** answer from the options given below:

- 1. C, B, A, D
- 2. D, B, C, A
- 3. C, D, B, A
- 4. A, C, B, A

**Options :**

- 485584136769. 1
- 485584136770. 2
- 485584136771. 3
- 485584136772. 4

**Question Number : 239 Question Id : 48558434194 Question Type : MCQ Option Shuffling : No Is Question Mandatory : No Calculator : None Response Time : N.A Think Time : N.A Minimum Instruction Time : 0**

**Correct Marks : 5 Wrong Marks : 1**

**Question Key Details :**

Key	Value
Comprehension	MCQ

Arrange the following sequentially according to their period of completion.

- A. Alamgir Nama
- B. Badshah Nama
- C. Akbar Nama
- D. Humayun Nama

Choose the **correct** answer from the options given below:

- 1. C, D, B, A
- 2. D, C, A, B
- 3. C, D, A, B
- 4. A, D, C, B

**Options :**

- 485584136773. 1
- 485584136774. 2
- 485584136775. 3
- 485584136776. 4

**Question Number : 240 Question Id : 48558434195 Question Type : MCQ Option Shuffling : No Is Question Mandatory : No Calculator : None Response Time : N.A Think Time : N.A Minimum Instruction Time : 0**

**Correct Marks : 5 Wrong Marks : 1**

**Question Key Details :**

Key	Value
Comprehension	MCQ

Arrange the following sequentially in relation to the preservation of Early monuments:

- A. Foundation of Indian Museum, Calcutta.
- B. James Fergusson's Survey
- C. H.H. Cole Appointed as Curator of Ancient Monument.
- D. Passing of Treasure Trove Act.

Choose the correct answer from the options given below:

- 1. A, C, B, D
- 2. A, B, C, D
- 3. B, C, A, D
- 4. D, A, B, C

**Options :**

485584136777. 1  
485584136778. 2  
485584136779. 3  
485584136780. 4

**Sub-Section Number :** 2  
**Sub-Section Id :** 4855842540  
**Question Shuffling Allowed :** No  
**Is Section Default? :** null

**Question Number : 241 Question Id : 48558434196 Question Type : MCQ Option Shuffling : No Is Question Mandatory : No Calculator : None Response Time : N.A Think Time : N.A Minimum Instruction Time : 0**

**Correct Marks : 5 Wrong Marks : 1**

**Question Key Details :**

Key	Value
Comprehension	Comp1

**Read the passage and answer the questions:**

Temple building in the region had a long history, going back to dynasties such as the Pallavas, Chalukyas, Hoysalas and Cholas. Rulers very often encouraged temple building as a means of associating themselves with the divine - often, the deity was explicitly or implicitly identified with the king. Temples also functioned as centres of learning. Besides, rulers and others often granted land and other resources for the maintenance of temples. Consequently, temples developed as significant religious, social, cultural and economic centres. From the point of view of the rulers, constructing, repairing and maintaining temples were important means of winning support and recognition for their power, wealth and piety.

What was the 'Kalyana mandapa' used for?

1. To worship the image of God.
2. To celebrate divine weddings.
3. For dance and music performances.
4. For drama performances.

**Options :**

485584136781. 1  
485584136782. 2  
485584136783. 3  
485584136784. 4

**Question Number : 242 Question Id : 48558434197 Question Type : MCQ Option Shuffling : No Is Question Mandatory : No Calculator : None Response Time : N.A Think Time : N.A Minimum Instruction Time : 0**

**Correct Marks : 5 Wrong Marks : 1**

**Question Key Details :**

Key	Value
Comprehension	Comp1

**Read the passage and answer the questions:**

Temple building in the region had a long history, going back to dynasties such as the Pallavas, Chalukyas, Hoysalas and Cholas. Rulers very often encouraged temple building as a means of associating themselves with the divine - often, the deity was explicitly or implicitly identified with the king. Temples also functioned as centres of learning. Besides, rulers and others often granted land and other resources for the maintenance of temples. Consequently, temples developed as significant religious, social, cultural and economic centres. From the point of view of the rulers, constructing, repairing and maintaining temples were important means of winning support and recognition for their power, wealth and piety.

Krishnadeva Raya built a hall in front of the main shrine of which of the following temples to mark his accession?

1. Hazara Rama Temple
2. Vithala Temple
3. Virupaksha Temple
4. Chidambaram Temple

**Options :**

485584136785. 1  
485584136786. 2  
485584136787. 3  
485584136788. 4

**Question Number : 243 Question Id : 48558434198 Question Type : MCQ Option Shuffling : No Is Question Mandatory : No Calculator : None Response Time : N.A Think Time : N.A Minimum Instruction Time : 0**

**Correct Marks : 5 Wrong Marks : 1**

**Question Key Details :**

Key	Value
Comprehension	Comp1

**Read the passage and answer the questions:**

Temple building in the region had a long history, going back to dynasties such as the Pallavas, Chalukyas, Hoysalas and Cholas. Rulers very often encouraged temple building as a means of associating themselves with the divine - often, the deity was explicitly or implicitly identified with the king. Temples also functioned as centres of learning. Besides, rulers and others often granted land and other resources for the maintenance of temples. Consequently, temples developed as significant religious, social, cultural and economic centres. From the point of view of the rulers, constructing, repairing and maintaining temples were important means of winning support and recognition for their power, wealth and piety.

Which of the following temple has a shrine designed as a 'chariot'?

1. Brihadeshvara Temple
2. Chidambaram Temple
3. Virupaksha Temple
4. Vitthala Temple

**Options :**

485584136789. 1  
485584136790. 2  
485584136791. 3  
485584136792. 4

**Question Number : 244 Question Id : 48558434199 Question Type : MCQ Option Shuffling : No Is Question Mandatory : No Calculator : None Response Time : N.A Think Time : N.A Minimum Instruction Time : 0**

**Correct Marks : 5 Wrong Marks : 1**

**Question Key Details :**

Key	Value
Comprehension	Comp1

**Read the passage and answer the questions:**

Temple building in the region had a long history, going back to dynasties such as the Pallavas, Chalukyas, Hoysalas and Cholas. Rulers very often encouraged temple building as a means of associating themselves with the divine - often, the deity was explicitly or implicitly identified with the king. Temples also functioned as centres of learning. Besides, rulers and others often granted land and other resources for the maintenance of temples. Consequently, temples developed as significant religious, social, cultural and economic centres. From the point of view of the rulers, constructing, repairing and maintaining temples were important means of winning support and recognition for their power, wealth and piety.

Which of the following temple portrays sculpture of scenes from the Ramayana?

1. Vitthala Temple
2. Hazar Rama Temple
3. Pampadevi Temple
4. Virupaksha Temple

**Options :**

485584136793. 1  
485584136794. 2  
485584136795. 3  
485584136796. 4

**Question Number : 245 Question Id : 48558434200 Question Type : MCQ Option Shuffling : No Is Question Mandatory : No Calculator : None Response Time : N.A Think Time : N.A Minimum Instruction Time : 0**

**Correct Marks : 5 Wrong Marks : 1**

**Question Key Details :**



Key	Value
Comprehension	Comp1

**Read the passage and answer the questions:**

Temple building in the region had a long history, going back to dynasties such as the Pallavas, Chalukyas, Hoysalas and Cholas. Rulers very often encouraged temple building as a means of associating themselves with the divine - often, the deity was explicitly or implicitly identified with the king. Temples also functioned as centres of learning. Besides, rulers and others often granted land and other resources for the maintenance of temples. Consequently, temples developed as significant religious, social, cultural and economic centres. From the point of view of the rulers, constructing, repairing and maintaining temples were important means of winning support and recognition for their power, wealth and piety.

"In our study of these monuments of Vijayanagara we have to imagine a whole series of vanished wooden elements...." Who amongst the following stated these lines?

- A. J. F. Fleet
- B. George Michell
- C. M.S. Nagaraja
- D. Fernao Nuniz

Choose the **correct** answer from the options given below:

- 1. A, B only
- 2. B, C only
- 3. C, D only
- 4. B, D only

**Options :**

- 485584136797. 1
- 485584136798. 2
- 485584136799. 3
- 485584136800. 4

**Sub-Section Number :** 3  
**Sub-Section Id :** 4855842541  
**Question Shuffling Allowed :** No  
**Is Section Default? :** null

**Question Number : 246 Question Id : 48558434201 Question Type : MCQ Option Shuffling : No Is Question Mandatory : No Calculator : None Response Time : N.A Think Time : N.A Minimum Instruction Time : 0**

**Correct Marks : 5 Wrong Marks : 1**

**Question Key Details :**

Key	Value
Comprehension	Comp2

**Read the passage and answer the questions:**

In January 1915, Mohandas Karamchand Gandhi returned to his homeland after two decades of residence abroad. These years had been spent for the most part in South Africa, where he went as a lawyer, and in time became a leader of the Indian community in that territory. As the historian Chandran Devanesan has remarked, South Africa was "the making of the Mahatma". It was in South Africa that Mahatma Gandhi first forged the distinctive techniques of non-violent protest known as satyagraha, first promoted harmony between religions, and first alerted upper-caste Indians to their discriminatory treatment of low castes and women.

In 1915, Mahatma Gandhi returned to India from which country?

1. England
2. South Africa
3. Mexico
4. Kenya

**Options :**

485584136801. 1  
485584136802. 2  
485584136803. 3  
485584136804. 4

**Question Number : 247 Question Id : 48558434202 Question Type : MCQ Option Shuffling : No Is Question Mandatory : No Calculator : None Response Time : N.A Think Time : N.A Minimum Instruction Time : 0**

**Correct Marks : 5 Wrong Marks : 1**

**Question Key Details :**

Key	Value
Comprehension	Comp2

**Read the passage and answer the questions:**

In January 1915, Mohandas Karamchand Gandhi returned to his homeland after two decades of residence abroad. These years had been spent for the most part in South Africa, where he went as a lawyer, and in time became a leader of the Indian community in that territory. As the historian Chandran Devanesan has remarked, South Africa was "the making of the Mahatma". It was in South Africa that Mahatma Gandhi first forged the distinctive techniques of non-violent protest known as satyagraha, first promoted harmony between religions, and first alerted upper-caste Indians to their discriminatory treatment of low castes and women.

Where was the technique of 'satyagraha' invented?

1. Ahmedabad
2. Champaran
3. Kheda
4. South Africa

**Options :**

485584136805. 1  
485584136806. 2  
485584136807. 3  
485584136808. 4

**Question Number : 248 Question Id : 48558434203 Question Type : MCQ Option Shuffling : No Is Question Mandatory : No Calculator : None Response Time : N.A Think Time : N.A Minimum Instruction Time : 0**

**Correct Marks : 5 Wrong Marks : 1**

**Question Key Details :**

Key	Value
Comprehension	Comp2

**Read the passage and answer the questions:**

In January 1915, Mohandas Karamchand Gandhi returned to his homeland after two decades of residence abroad. These years had been spent for the most part in South Africa, where he went as a lawyer, and in time became a leader of the Indian community in that territory. As the historian Chandran Devanesan has remarked, South Africa was "the making of the Mahatma". It was in South Africa that Mahatma Gandhi first forged the distinctive techniques of non-violent protest known as satyagraha, first promoted harmony between religions, and first alerted upper-caste Indians to their discriminatory treatment of low castes and women.

Where did Mahatma Gandhi give his first public appearance after returning to India?

1. Kheda
2. Ahmedabad
3. Champaran
4. Banaras

**Options :**

485584136809. 1  
485584136810. 2  
485584136811. 3  
485584136812. 4

**Question Number : 249 Question Id : 48558434204 Question Type : MCQ Option Shuffling : No Is Question Mandatory : No Calculator : None Response Time : N.A Think Time : N.A Minimum Instruction Time : 0**

**Correct Marks : 5 Wrong Marks : 1**

**Question Key Details :**

Key	Value
Comprehension	Comp2

**Read the passage and answer the questions:**

In January 1915, Mohandas Karamchand Gandhi returned to his homeland after two decades of residence abroad. These years had been spent for the most part in South Africa, where he went as a lawyer, and in time became a leader of the Indian community in that territory. As the historian Chandran Devanesan has remarked, South Africa was "the making of the Mahatma". It was in South Africa that Mahatma Gandhi first forged the distinctive techniques of non-violent protest known as satyagraha, first promoted harmony between religions, and first alerted upper-caste Indians to their discriminatory treatment of low castes and women.

Which historian remarked that South Africa was "the making of the Mahatma"?

1. Chandran Devanesan
2. Irfan Habib
3. Romila Thapar
4. Seema Alavi

**Options :**

485584136813. 1  
485584136814. 2  
485584136815. 3  
485584136816. 4

**Question Number : 250 Question Id : 48558434205 Question Type : MCQ Option Shuffling : No Is Question Mandatory : No Calculator : None Response Time : N.A Think Time : N.A Minimum Instruction Time : 0**

**Correct Marks : 5 Wrong Marks : 1**

**Question Key Details :**

Key	Value
Comprehension	Comp2

**Read the passage and answer the questions:**

In January 1915, Mohandas Karamchand Gandhi returned to his homeland after two decades of residence abroad. These years had been spent for the most part in South Africa, where he went as a lawyer, and in time became a leader of the Indian community in that territory. As the historian Chandran Devanesan has remarked, South Africa was "the making of the Mahatma". It was in South Africa that Mahatma Gandhi first forged the distinctive techniques of non-violent protest known as satyagraha, first promoted harmony between religions, and first alerted upper-caste Indians to their discriminatory treatment of low castes and women.

Who was Gandhi's political mentor after his return from South Africa?

1. Mohammad Ali Jinnah
2. Gopal Krsihna Gokhale
3. Bipin Chadra Pal
4. Bal Gangadhar Tilak

**Options :**

485584136817. 1  
485584136818. 2  
485584136819. 3  
485584136820. 4

### KTPI

**Group Number :** 11  
**Group Id :** 485584778  
**Group Maximum Duration :** 45  
**Group Minimum Duration :** 45  
**Show Attended Group? :** No  
**Edit Attended Group? :** No  
**Break time :** 0  
**Group Marks :** 200  
**Is this Group for Examiner? :** No  
**Examiner permission :** Cant View  
**Show Progress Bar? :** No

### KTPI

**Section Id :** 485584896  
**Section Number :** 1  
**Section type :** Online  
**Mandatory or Optional :** Mandatory  
**Number of Questions :** 50  
**Number of Questions to be attempted :** 40  
**Section Marks :** 200  
**Enable Mark as Answered Mark for Review and Clear Response :** Yes  
**Maximum Instruction Time :** 0  
**Sub-Section Number :** 1  
**Sub-Section Id :** 4855842542  
**Question Shuffling Allowed :** Yes  
**Is Section Default? :** null

**Question Number : 251 Question Id : 48558434256 Question Type : MCQ Option Shuffling : No Is Question Mandatory : No Calculator : None Response Time : N.A Think Time : N.A Minimum Instruction Time : 0**

**Correct Marks : 5 Wrong Marks : 1**

**Question Key Details :**

Key	Value
Comprehension	MCQ

How many purusarthas are defined in Hindu way of life?

1. 5
2. 4
3. 2
4. 3

**Options :**

- 485584137021. 1
- 485584137022. 2
- 485584137023. 3
- 485584137024. 4

**Question Number : 251 Question Id : 48558434256 Question Type : MCQ Option Shuffling : No Is Question Mandatory : No Calculator : None Response Time : N.A Think Time : N.A Minimum Instruction Time : 0**

**Correct Marks : 5 Wrong Marks : 1**

**Question Key Details :**

Key	Value
Comprehension	MCQ

ಹಿಂದೂ ಜೀವನ ಮಾರ್ಗದಲ್ಲಿ ಎಷ್ಟು ಪುರುಷಾರ್ಥಗಳನ್ನು ನೀಡಲಾಗಿದೆ?

- 1. 5
- 2. 4
- 3. 2
- 4. 3

**Options :**

- 485584137021. 1
- 485584137022. 2
- 485584137023. 3
- 485584137024. 4

**Question Number : 252 Question Id : 48558434257 Question Type : MCQ Option Shuffling : No Is Question Mandatory : No Calculator : None Response Time : N.A Think Time : N.A Minimum Instruction Time : 0**

**Correct Marks : 5 Wrong Marks : 1**

**Question Key Details :**

Key	Value
Comprehension	MCQ

The word Dhamma is used in :

- 1. Rgveda
- 2. Bhagavad-Gita
- 3. Jain Ethics
- 4. Buddhism

**Options :**

- 485584137025. 1
- 485584137026. 2
- 485584137027. 3
- 485584137028. 4

**Question Number : 252 Question Id : 48558434257 Question Type : MCQ Option Shuffling : No Is Question Mandatory : No Calculator : None Response Time : N.A Think Time : N.A Minimum Instruction Time : 0**

Correct Marks : 5 Wrong Marks : 1

Question Key Details :

Key	Value
Comprehension	MCQ

ಧರ್ಮ ಪದವನ್ನು ಬಳಸಿರುವುದು:

1. ಮುಗ್ಧೋದಯದಲ್ಲಿ
2. ಭಗವದ್ಗೀತೆಯಲ್ಲಿ
3. ಜೈನ ನೀತಿತತ್ವಗಳಲ್ಲಿ
4. ಬುದ್ಧಿಸಂಘದಲ್ಲಿ

Options :

485584137025. 1  
485584137026. 2  
485584137027. 3  
485584137028. 4

Question Number : 253 Question Id : 48558434258 Question Type : MCQ Option Shuffling : No Is Question Mandatory : No Calculator : None Response Time : N.A Think Time : N.A Minimum Instruction Time : 0

Correct Marks : 5 Wrong Marks : 1

Question Key Details :

Key	Value
Comprehension	MCQ

Which stage of life is the grahastha, stage of the householder in the Hindu way of life?

1. 4
2. 2
3. 1
4. 3

Options :

485584137029. 1  
485584137030. 2  
485584137031. 3  
485584137032. 4

Question Number : 253 Question Id : 48558434258 Question Type : MCQ Option Shuffling : No Is Question Mandatory : No Calculator : None Response Time : N.A Think Time : N.A Minimum Instruction Time : 0

Correct Marks : 5 Wrong Marks : 1

Question Key Details :

Key	Value
Comprehension	MCQ

ಹಿಂದೂ ಜೀವನ ಮಾರ್ಗದಲ್ಲಿ ಜೀವನದ ಯಾವ ಹಂತವು ಗೃಹಸ್ಥ, ಮನೆಯ ಒಡೆಯನಾಗಿರುತ್ತಾನೆ

1. 4

2. 2

3. 1

4. 3

**Options :**

485584137029. 1

485584137030. 2

485584137031. 3

485584137032. 4

**Question Number : 254 Question Id : 48558434259 Question Type : MCQ Option Shuffling : No Is Question Mandatory : No Calculator : None Response Time : N.A Think Time : N.A Minimum Instruction Time : 0**

**Correct Marks : 5 Wrong Marks : 1**

**Question Key Details :**

Key	Value
Comprehension	MCQ

Who among the following is associated with Niti Satakam?

1. Vidur

2. Sukracarya

3. Bhartrihari

4. King Bhoja

**Options :**

485584137033. 1

485584137034. 2

485584137035. 3

485584137036. 4

**Question Number : 254 Question Id : 48558434259 Question Type : MCQ Option Shuffling : No Is Question Mandatory : No Calculator : None Response Time : N.A Think Time : N.A Minimum Instruction Time : 0**

**Correct Marks : 5 Wrong Marks : 1**

**Question Key Details :**

Key	Value
Comprehension	MCQ



ಕೆಲಗಿನವುಗಳಲ್ಲಿ ಯಾರು ನೀತಿ ಶತಕಮ್ಗೆ ಸಂಬಂಧಿಸಿದವರು?

1. ವಿದುರ
2. ಶುಕ್ರಾಚಾರ್ಯ
3. ಭರ್ತಹರಿ
4. ರಾಜ ಭೋಜ

**Options :**

485584137033. 1  
485584137034. 2  
485584137035. 3  
485584137036. 4

**Question Number : 255 Question Id : 48558434260 Question Type : MCQ Option Shuffling : No Is Question Mandatory : No Calculator : None Response Time : N.A Think Time : N.A Minimum Instruction Time : 0**

**Correct Marks : 5 Wrong Marks : 1**

**Question Key Details :**

Key	Value
Comprehension	MCQ

Which among the following is the basis of the Buddhist ethics?

1. Compassion
2. Friendliness
3. Good will
4. Four Noble Truths

**Options :**

485584137037. 1  
485584137038. 2  
485584137039. 3  
485584137040. 4

**Question Number : 255 Question Id : 48558434260 Question Type : MCQ Option Shuffling : No Is Question Mandatory : No Calculator : None Response Time : N.A Think Time : N.A Minimum Instruction Time : 0**

**Correct Marks : 5 Wrong Marks : 1**

**Question Key Details :**

Key	Value
Comprehension	MCQ

ಕೆಲಗಿನವುಗಳಲ್ಲಿ ಯಾವುದು ಬುದ್ಧರ ನೀತಿ ತತ್ವಗಳಿಗೆ ಮೂಲಾಧಾರ?

1. ಕರುಣೆ
2. ಸ್ನೇಹತತ್ವ
3. ಒಳ್ಳೆಯ ಮನಸ್ಸು
4. ನಾಲ್ಕು ಉದಾತ್ತ ಸತ್ಯಗಳು

**Options :**

485584137037. 1  
485584137038. 2  
485584137039. 3  
485584137040. 4

**Question Number : 256 Question Id : 48558434261 Question Type : MCQ Option Shuffling : No Is Question Mandatory : No Calculator : None Response Time : N.A Think Time : N.A Minimum Instruction Time : 0**

**Correct Marks : 5 Wrong Marks : 1**

**Question Key Details :**

Key	Value
Comprehension	MCQ

In which age the tradition of excavating cave temples and monolithic shrines evolved into the construction of brick and stone temple

1. Maurya age
2. Gupta age
3. Kushan age
4. Mughal age

**Options :**

485584137041. 1  
485584137042. 2  
485584137043. 3  
485584137044. 4

**Question Number : 256 Question Id : 48558434261 Question Type : MCQ Option Shuffling : No Is Question Mandatory : No Calculator : None Response Time : N.A Think Time : N.A Minimum Instruction Time : 0**

**Correct Marks : 5 Wrong Marks : 1**

**Question Key Details :**

Key	Value
Comprehension	MCQ

ಯಾವ ಕಾಲದಲ್ಲಿ ಗುಹಾ ದೇವಸ್ಥಾನಗಳನ್ನು ಮತ್ತು ಏಕಶಿಲಾ ದೇವಸ್ಥಾನಗಳನ್ನು ಶೋಧಿಸಿ ಇಟ್ಟಿಗೆ ಮತ್ತು ಕಲ್ಲಿನ ದೇವಸ್ಥಾನಗಳಾಗಿ ನಿರ್ಮಿಸಲಾಯಿತು?

1. ಮೌರ್ಯರ ಕಾಲದಲ್ಲಿ
2. ಗುಪ್ತರ ಕಾಲದಲ್ಲಿ
3. ಕುಶಾನರ ಕಾಲದಲ್ಲಿ
4. ಮುಘಲರ ಕಾಲದಲ್ಲಿ

**Options :**

485584137041. 1  
485584137042. 2  
485584137043. 3  
485584137044. 4

**Question Number : 257 Question Id : 48558434262 Question Type : MCQ Option Shuffling : No Is Question Mandatory : No Calculator : None Response Time : N.A Think Time : N.A Minimum Instruction Time : 0**

**Correct Marks : 5 Wrong Marks : 1**

**Question Key Details :**

Key	Value
Comprehension	MCQ

Match List I with List II

LIST I		LIST II	
A.	Kuchipudi	I.	Uttar Pradesh
B.	Sattriya	II.	Tamil Nadu
C.	Kathak	III.	Andhra Pradesh
D.	Bharatanatyam	IV.	Assam

Choose the correct answer from the options given below:

1. A-III, B-I, C-IV, D-II
2. A-IV, B-II, C-I, D-III
3. A-III, B-IV, C-I, D-II
4. A-I, B-III, C-II, D-IV

**Options :**

485584137045. 1  
485584137046. 2  
485584137047. 3  
485584137048. 4

**Question Number : 257 Question Id : 48558434262 Question Type : MCQ Option Shuffling : No Is Question Mandatory : No Calculator : None Response Time : N.A Think Time : N.A Minimum Instruction Time : 0**

**Correct Marks : 5 Wrong Marks : 1**

**Question Key Details :**

Key	Value
-----	-------

ಪಟ್ಟಿ - I ಅನ್ನು ಪಟ್ಟಿ - IIರ ಜೊತೆ ಹೊಂದಿಸಿ.

ಪಟ್ಟಿ - I		ಪಟ್ಟಿ - II	
A.	ಕುಚಿಪುಡಿ	I.	ಉತ್ತರ ಪ್ರದೇಶ
B.	ಸಾತ್ವಿಯಾ	II.	ತಮಿಳುನಾಡು
C.	ಕಥಕ್	III.	ಆಂಧ್ರಪ್ರದೇಶ
D.	ಭರತನಾಟ್ಯಂ	IV.	ಆಸ್ಸಾಂ

ಈ ಕೆಳಗಿನ ಆಯ್ಕೆಗಳಿಂದ ಸರಿಯಾದ ಉತ್ತರವನ್ನು ಆರಿಸಿ:

1. A-III, B-I, C-IV, D-II
2. A-IV, B-II, C-I, D-III
3. A-III, B-IV, C-I, D-II
4. A-I, B-III, C-II, D-IV

**Options :**

485584137045. 1  
485584137046. 2  
485584137047. 3  
485584137048. 4

**Question Number : 258 Question Id : 48558434263 Question Type : MCQ Option Shuffling : No Is Question Mandatory : No Calculator : None Response Time : N.A Think Time : N.A Minimum Instruction Time : 0**

**Correct Marks : 5 Wrong Marks : 1**

**Question Key Details :**

Key	Value
Comprehension	MCQ

In India where do you find sculptures depicting odissi style?

1. Caves of Ellora
2. Caves of Udayagiri and Khandagiri
3. Caves of Ajanta
4. Caves of Nilgiri

**Options :**

485584137049. 1  
485584137050. 2  
485584137051. 3  
485584137052. 4

**Question Number : 258 Question Id : 48558434263 Question Type : MCQ Option Shuffling : No Is Question Mandatory : No Calculator : None Response Time : N.A Think Time : N.A Minimum Instruction Time : 0**

**Correct Marks : 5 Wrong Marks : 1**

**Question Key Details :**

Key	Value
-----	-------

ಭಾರತದಲ್ಲಿ ಎಲ್ಲಿ ನೀವು ಒಡಿಸ್ಸಿಶೈಲಿಯನ್ನು ಬಿಂಬಿಸುವ ಕೆತ್ತನೆಯನ್ನು ಕಾಣುತ್ತೀರಿ?

1. ಎಲ್ಲೋರಾ ಗುಹೆಗಳಲ್ಲಿ
2. ಉದಯಗಿರಿ ಮತ್ತು ಖಂಡಗಿರಿ ಗುಹೆಗಳಲ್ಲಿ
3. ಅಜಂತಾ ಗುಹೆಗಳಲ್ಲಿ
4. ನೀಲಗಿರಿ ಗುಹೆಗಳಲ್ಲಿ

**Options :**

485584137049. 1  
485584137050. 2  
485584137051. 3  
485584137052. 4

**Question Number : 259 Question Id : 48558434264 Question Type : MCQ Option Shuffling : No Is Question Mandatory : No Calculator : None Response Time : N.A Think Time : N.A Minimum Instruction Time : 0**

**Correct Marks : 5 Wrong Marks : 1**

**Question Key Details :**

Key	Value
Comprehension	MCQ

In 1930s, E. Krishna Iyer and Rukmini Devi Arundale renamed Sadirattam as \_\_\_\_\_?

1. Odissi
2. Kucipudi
3. Manipuri
4. Bharatanatyam

**Options :**

485584137053. 1  
485584137054. 2  
485584137055. 3  
485584137056. 4

**Question Number : 259 Question Id : 48558434264 Question Type : MCQ Option Shuffling : No Is Question Mandatory : No Calculator : None Response Time : N.A Think Time : N.A Minimum Instruction Time : 0**

**Correct Marks : 5 Wrong Marks : 1**

**Question Key Details :**

Key	Value
Comprehension	MCQ

1930ರಲ್ಲಿ ಇ. ಕೃಷ್ಣ ಅಯ್ಯರ್ ಮತ್ತು ರುಕ್ಮಿಣಿದೇವಿ ಅರಂಪಾಳೆಯವರು ಸಾದಿರಮಟ್ಟಮ್ ಅನ್ನು ಪುನರ್ ನಾಮಕರಣಗೊಳಿಸಿದ್ದು ಹೇಗೆಂದರೆ -

1. ಒಡಿಸ್ಸಿ
2. ಕುಚಿಪುಡಿ
3. ಮಣಿಪುರಿ
4. ಭರತನಾಟ್ಯಂ

**Options :**

485584137053. 1  
485584137054. 2  
485584137055. 3  
485584137056. 4

**Question Number : 260 Question Id : 48558434265 Question Type : MCQ Option Shuffling : No Is Question Mandatory : No Calculator : None Response Time : N.A Think Time : N.A Minimum Instruction Time : 0**

**Correct Marks : 5 Wrong Marks : 1**

**Question Key Details :**

Key	Value
Comprehension	MCQ

The ( Brhadesvara ) temple of Thanjavur belongs to which century?

1. 9th century
2. 10th Century
3. 11th Century
4. 12th Century

**Options :**

485584137057. 1  
485584137058. 2  
485584137059. 3  
485584137060. 4

**Question Number : 260 Question Id : 48558434265 Question Type : MCQ Option Shuffling : No Is Question Mandatory : No Calculator : None Response Time : N.A Think Time : N.A Minimum Instruction Time : 0**

**Correct Marks : 5 Wrong Marks : 1**

**Question Key Details :**

Key	Value
Comprehension	MCQ

ತಂಜಾವೂರಿನ ದೇವಸ್ಥಾನ (ಬೃಹದೇಶ್ವರ)ವು ಯಾವ ಶತಮಾನಕ್ಕೆ ಸೇರುತ್ತದೆ?

1. 9ನೇ ಶತಮಾನ
2. 10ನೇ ಶತಮಾನ
3. 11ನೇ ಶತಮಾನ
4. 12ನೇ ಶತಮಾನ

**Options :**

485584137057. 1  
485584137058. 2  
485584137059. 3  
485584137060. 4

**Question Number : 261 Question Id : 48558434266 Question Type : MCQ Option Shuffling : No Is Question Mandatory : No Calculator : None Response Time : N.A Think Time : N.A Minimum Instruction Time : 0**

**Correct Marks : 5 Wrong Marks : 1**

**Question Key Details :**

Key	Value
Comprehension	MCQ

Dharma required all including students in the ancient days to perform their

1. Work
2. Skills
3. Duty
4. Prayers

**Options :**

485584137061. 1  
485584137062. 2  
485584137063. 3  
485584137064. 4

**Question Number : 261 Question Id : 48558434266 Question Type : MCQ Option Shuffling : No Is Question Mandatory : No Calculator : None Response Time : N.A Think Time : N.A Minimum Instruction Time : 0**

**Correct Marks : 5 Wrong Marks : 1**

**Question Key Details :**

Key	Value
Comprehension	MCQ

ಪ್ರಾಚೀನ ಕಾಲದಲ್ಲಿ ವಿದ್ಯಾರ್ಥಿಗಳನ್ನು ಒಳಗೊಂಡು ಎಲ್ಲರಿಗೂ ಬೇಕಾಗಿರುವುದು ಅವರ \_\_\_\_\_  
ಅನ್ನು ಪ್ರದರ್ಶಿಸಲು.

1. ಕೆಲಸ
2. ಕೌಶಲ್ಯಗಳು
3. ಕರ್ತವ್ಯ
4. ಪ್ರಾರ್ಥನೆಗಳು

**Options :**

485584137061. 1  
485584137062. 2  
485584137063. 3  
485584137064. 4

**Question Number : 262 Question Id : 48558434267 Question Type : MCQ Option Shuffling : No Is Question Mandatory :  
No Calculator : None Response Time : N.A Think Time : N.A Minimum Instruction Time : 0**

**Correct Marks : 5 Wrong Marks : 1**

**Question Key Details :**

Key	Value
Comprehension	MCQ

The Sastras are classified into:

1. Sastra and Kavya
2. Pauruseya and Apauruseya
3. Vedas and Vedangas
4. Siksa and Kalpa

**Options :**

485584137065. 1  
485584137066. 2  
485584137067. 3  
485584137068. 4

**Question Number : 262 Question Id : 48558434267 Question Type : MCQ Option Shuffling : No Is Question Mandatory :  
No Calculator : None Response Time : N.A Think Time : N.A Minimum Instruction Time : 0**

**Correct Marks : 5 Wrong Marks : 1**

**Question Key Details :**

Key	Value
Comprehension	MCQ



ಶಾಸ್ತ್ರಗಳನ್ನು ಹೀಗೆ ವಿಂಗಡಿಸಲಾಗಿದೆ:

1. ಶಾಸ್ತ್ರ ಮತ್ತು ಕಾವ್ಯ
2. ಪುರಷೇಯ ಮತ್ತು ಅಪುರುಷೇಯ
3. ವೇದಗಳು ಮತ್ತು ವೇದಾಂಗಗಳು
4. ಶಿಕ್ಷ ಮತ್ತು ಕಲ್ಪ

**Options :**

485584137065. 1  
485584137066. 2  
485584137067. 3  
485584137068. 4

**Question Number : 263 Question Id : 48558434268 Question Type : MCQ Option Shuffling : No Is Question Mandatory : No Calculator : None Response Time : N.A Think Time : N.A Minimum Instruction Time : 0**

**Correct Marks : 5 Wrong Marks : 1**

**Question Key Details :**

Key	Value
Comprehension	MCQ

Which among the following is not a part of Vedanga?

1. Siksa
2. Kavya
3. Kalpa
4. Vyakarana

**Options :**

485584137069. 1  
485584137070. 2  
485584137071. 3  
485584137072. 4

**Question Number : 263 Question Id : 48558434268 Question Type : MCQ Option Shuffling : No Is Question Mandatory : No Calculator : None Response Time : N.A Think Time : N.A Minimum Instruction Time : 0**

**Correct Marks : 5 Wrong Marks : 1**

**Question Key Details :**

Key	Value
Comprehension	MCQ

ಈ ಕೆಳಗಿನವುಗಳಲ್ಲಿ ಯಾವುದು ವೇದಾಂಗದ ಒಂದು ಭಾಗವಲ್ಲ?

1. ಶಿಕ್ಷ
2. ಕಾವ್ಯ
3. ಕಲ್ಪ
4. ವ್ಯಾಕರಣ

**Options :**

485584137069. 1  
485584137070. 2  
485584137071. 3  
485584137072. 4

**Question Number : 264 Question Id : 48558434269 Question Type : MCQ Option Shuffling : No Is Question Mandatory : No Calculator : None Response Time : N.A Think Time : N.A Minimum Instruction Time : 0**

**Correct Marks : 5 Wrong Marks : 1**

**Question Key Details :**

Key	Value
Comprehension	MCQ

Pauruseya literature is also known as

1. Sruti literature
2. Sastrartha
3. Kavya
4. Smriti Literature

**Options :**

485584137073. 1  
485584137074. 2  
485584137075. 3  
485584137076. 4

**Question Number : 264 Question Id : 48558434269 Question Type : MCQ Option Shuffling : No Is Question Mandatory : No Calculator : None Response Time : N.A Think Time : N.A Minimum Instruction Time : 0**

**Correct Marks : 5 Wrong Marks : 1**

**Question Key Details :**

Key	Value
Comprehension	MCQ

ಪುರುಷೇಯ ಸಾಹಿತ್ಯವನ್ನು ಹೀಗೆಂದು ಸಹ ತಿಳಿಯಲಾಗಿದೆ:

1. ಶ್ರುತಿ ಸಾಹಿತ್ಯ
2. ಶಾಸ್ತ್ರಾರ್ಥ
3. ಕಾವ್ಯ
4. ಸ್ಮೃತಿ ಸಾಹಿತ್ಯ

**Options :**

485584137073. 1  
485584137074. 2  
485584137075. 3  
485584137076. 4

**Question Number : 265 Question Id : 48558434270 Question Type : MCQ Option Shuffling : No Is Question Mandatory : No Calculator : None Response Time : N.A Think Time : N.A Minimum Instruction Time : 0**

**Correct Marks : 5 Wrong Marks : 1**

**Question Key Details :**

Key	Value
Comprehension	MCQ

Which among the following is not a stage of path to knowledge as given in the Brhadaranyaka upanisad?

1. Sravana
2. Sastrartha
3. Manana
4. Nidhidhyasana

**Options :**

485584137077. 1  
485584137078. 2  
485584137079. 3  
485584137080. 4

**Question Number : 265 Question Id : 48558434270 Question Type : MCQ Option Shuffling : No Is Question Mandatory : No Calculator : None Response Time : N.A Think Time : N.A Minimum Instruction Time : 0**

**Correct Marks : 5 Wrong Marks : 1**

**Question Key Details :**

Key	Value
Comprehension	MCQ

ಬೃಹದಾರಣ್ಯಕ ಉಪನಿಷತ್‌ನಲ್ಲಿ ನೀಡಿರುವಂತೆ ಕೆಳಗಿನವುಗಳಲ್ಲಿ ಯಾವುದು ಜ್ಞಾನ ಮಾರ್ಗಕ್ಕೆ ಹಂತವಲ್ಲ?

1. ಶ್ರಾವಣ
2. ಶಾಸ್ತ್ರಾರ್ಥ
3. ಮನನ
4. ನಿಧಿಧ್ಯಾಸನ

**Options :**

485584137077. 1  
485584137078. 2  
485584137079. 3  
485584137080. 4

**Question Number : 266 Question Id : 48558434271 Question Type : MCQ Option Shuffling : No Is Question Mandatory : No Calculator : None Response Time : N.A Think Time : N.A Minimum Instruction Time : 0**

**Correct Marks : 5 Wrong Marks : 1**

**Question Key Details :**

Key	Value
Comprehension	MCQ

Arrange the four ends of life (Purusartha Catustaya) in sequence.

- A. Kama
- B. Moksa
- C. Artha
- D. Dharma

Choose the correct answer from the options given below:

1. A, B, D, C
2. B, C, A, D
3. D, C, A, B
4. C, A, B, D

**Options :**

485584137081. 1  
485584137082. 2  
485584137083. 3  
485584137084. 4

**Question Number : 266 Question Id : 48558434271 Question Type : MCQ Option Shuffling : No Is Question Mandatory : No Calculator : None Response Time : N.A Think Time : N.A Minimum Instruction Time : 0**

**Correct Marks : 5 Wrong Marks : 1**

**Question Key Details :**

Key	Value
Comprehension	MCQ

ಜೀವನದ ನಾಲ್ಕು ಆಯಗಳನ್ನು (ಪುರುಷಾರ್ಥ ಚತುಸ್ತಾಯ) ಅನುಕ್ರಮಣಿಕೆಗಳಲ್ಲಿ ಜೋಡಿಸಿ.

- A. ಕಾಮ
- B. ಮೋಕ್ಷ
- C. ಅರ್ಥ
- D. ಧರ್ಮ

ಈ ಕೆಳಗಿನ ಆಯ್ಕೆಗಳಿಂದ ಸರಿಯಾದ ಉತ್ತರವನ್ನು ಆರಿಸಿ:

- 1. A, B, D, C
- 2. B, C, A, D
- 3. D, C, A, B
- 4. C, A, B, D

**Options :**

- 485584137081. 1
- 485584137082. 2
- 485584137083. 3
- 485584137084. 4

**Question Number : 267 Question Id : 48558434272 Question Type : MCQ Option Shuffling : No Is Question Mandatory : No Calculator : None Response Time : N.A Think Time : N.A Minimum Instruction Time : 0**

**Correct Marks : 5 Wrong Marks : 1**

**Question Key Details :**

Key	Value
Comprehension	MCQ

Name the Chinese Scholars who visited Nalanda in the 7th century CE.

- A. I-tsing
- B. Hsuan-tsang
- C. Ba Jin
- D. Kang Youwei

Choose the correct answer from the options given below:

- 1. A and B only
- 2. B and C only
- 3. C and D only
- 4. D and A only

**Options :**

- 485584137085. 1
- 485584137086. 2
- 485584137087. 3
- 485584137088. 4

Question Number : 267 Question Id : 48558434272 Question Type : MCQ Option Shuffling : No Is Question Mandatory : No Calculator : None Response Time : N.A Think Time : N.A Minimum Instruction Time : 0

Correct Marks : 5 Wrong Marks : 1

Question Key Details :

Key	Value
Comprehension	MCQ

ಕ್ರಿಸ್ತಶಕ (CE) 7ನೇ ಶತಮಾನದಲ್ಲಿ ನಳಂದಕ್ಕೆ ಭೇಟಿ ನೀಡಿದ ಚೀನಾದ ವಿದ್ವಾಂಸರುಗಳನ್ನು ಹೆಸರಿಸಿ.

- A. ಐ-ತ್ಸಿಂಗ್
- B. ಹ್ಯೂಯನ್-ತ್ಸಾಂಗ್
- C. ಬಾ ಜಿನ್
- D. ಕಾಂಗ್ ಯೌವೀ

ಈ ಕೆಳಗಿನ ಆಯ್ಕೆಗಳಿಂದ ಸರಿಯಾದ ಉತ್ತರವನ್ನು ಆರಿಸಿ:

- 1. A ಮತ್ತು B ಮಾತ್ರ
- 2. B ಮತ್ತು C ಮಾತ್ರ
- 3. C ಮತ್ತು D ಮಾತ್ರ
- 4. D ಮತ್ತು A ಮಾತ್ರ

Options :

- 485584137085. 1
- 485584137086. 2
- 485584137087. 3
- 485584137088. 4

Question Number : 268 Question Id : 48558434273 Question Type : MCQ Option Shuffling : No Is Question Mandatory : No Calculator : None Response Time : N.A Think Time : N.A Minimum Instruction Time : 0

Correct Marks : 5 Wrong Marks : 1

Question Key Details :

Key	Value
Comprehension	MCQ

Match List I with List II

LIST I		LIST II	
A.	Krida	I.	Archery, sword play
B.	Vyayama Prakara	II.	Pranayama, asana
C.	Yoga - Sadhana	III.	games, recreational activities
D.	Dhanurveda	IV.	Various types of exercises

Choose the correct answer from the options given below:

1. A-III, B-II, C-IV, D-I
2. A-II, B-III, C-I, D-IV
3. A-III, B-IV, C-II, D-I
4. A-I, B-II, C-III, D-IV

**Options :**

485584137089. 1  
485584137090. 2  
485584137091. 3  
485584137092. 4

**Question Number : 268 Question Id : 48558434273 Question Type : MCQ Option Shuffling : No Is Question Mandatory : No Calculator : None Response Time : N.A Think Time : N.A Minimum Instruction Time : 0**

**Correct Marks : 5 Wrong Marks : 1**

**Question Key Details :**

Key	Value
Comprehension	MCQ

ಪಟ್ಟಿ - I ಅನ್ನು ಪಟ್ಟಿ - IIರ ಜೊತೆ ಹೊಂದಿಸಿ.

ಪಟ್ಟಿ - I		ಪಟ್ಟಿ - II	
A.	ಕ್ರೀಡೆ	I.	ಬಿಲ್ವಿದ್ಯೆ, ಕತ್ತಿ ಆಟ
B.	ವ್ಯಾಯಾಮ ಪ್ರಕಾರ	II.	ಪ್ರಾಣಾಯಾಮ, ಆಸನ
C.	ಯೋಗ-ಸಾಧನ	III.	ಆಟಗಳು, ಮನೋರಂಜನೆ ಚಟುವಟಿಕೆಗಳು
D.	ಧನುರ್ವೇದ	IV.	ವಿವಿಧ ರೀತಿಯ ವ್ಯಾಯಾಮಗಳು

ಈ ಕೆಳಗಿನ ಆಯ್ಕೆಗಳಿಂದ ಸರಿಯಾದ ಉತ್ತರವನ್ನು ಆರಿಸಿ:

1. A-III, B-II, C-IV, D-I
2. A-II, B-III, C-I, D-IV
3. A-III, B-IV, C-II, D-I
4. A-I, B-II, C-III, D-IV

**Options :**

485584137089. 1  
485584137090. 2  
485584137091. 3  
485584137092. 4

Question Number : 269 Question Id : 48558434274 Question Type : MCQ Option Shuffling : No Is Question Mandatory : No Calculator : None Response Time : N.A Think Time : N.A Minimum Instruction Time : 0  
Correct Marks : 5 Wrong Marks : 1

Question Key Details :

Key	Value
Comprehension	MCQ

Three gems in life are right vision, right knowledge and \_\_\_\_\_

1. right choice
2. right step
3. right conduct
4. right word

Options :

485584137093. 1  
485584137094. 2  
485584137095. 3  
485584137096. 4

Question Number : 269 Question Id : 48558434274 Question Type : MCQ Option Shuffling : No Is Question Mandatory : No Calculator : None Response Time : N.A Think Time : N.A Minimum Instruction Time : 0  
Correct Marks : 5 Wrong Marks : 1

Question Key Details :

Key	Value
Comprehension	MCQ

ಜೀವನದ ಮೂರು ರತ್ನಗಳೆಂದರೆ ಒಳ್ಳೆಯ ದೃಷ್ಟಿ, ಒಳ್ಳೆಯ ಜ್ಞಾನ ಮತ್ತು \_\_\_\_\_.

1. ಒಳ್ಳೆಯ ಆಯ್ಕೆ
2. ಒಳ್ಳೆಯ ಹೆಜ್ಜೆ
3. ಒಳ್ಳೆಯ ನಡವಳಿಕೆ
4. ಒಳ್ಳೆಯ ಪದ

Options :

485584137093. 1  
485584137094. 2  
485584137095. 3  
485584137096. 4

Question Number : 270 Question Id : 48558434275 Question Type : MCQ Option Shuffling : No Is Question Mandatory : No Calculator : None Response Time : N.A Think Time : N.A Minimum Instruction Time : 0  
Correct Marks : 5 Wrong Marks : 1

Question Key Details :

Key	Value
Comprehension	MCQ



According to Jainism Spiritual growth is dependent upon \_\_\_\_\_

1. religious rituals
2. hygienic food
3. meditation
4. right conduct

**Options :**

485584137097. 1  
485584137098. 2  
485584137099. 3  
485584137100. 4

**Question Number : 270 Question Id : 48558434275 Question Type : MCQ Option Shuffling : No Is Question Mandatory : No Calculator : None Response Time : N.A Think Time : N.A Minimum Instruction Time : 0**

**Correct Marks : 5 Wrong Marks : 1**

**Question Key Details :**

Key	Value
Comprehension	MCQ

ಜೈನಿಸಂ ಪ್ರಕಾರ ಆಧ್ಯಾತ್ಮಿಕ ಬೆಳವಣಿಗೆಯು ಅವಲಂಬಿತವಾಗಿರುವುದು \_\_\_\_\_ ಮೇಲೆ.

1. ಧಾರ್ಮಿಕ ಆಚರಣೆಗಳು
2. ಶುಚಿಯಾದ ಆಹಾರ
3. ಧ್ಯಾನ
4. ಒಳ್ಳೆಯ ನಡವಳಿಕೆ

**Options :**

485584137097. 1  
485584137098. 2  
485584137099. 3  
485584137100. 4

**Question Number : 271 Question Id : 48558434276 Question Type : MCQ Option Shuffling : No Is Question Mandatory : No Calculator : None Response Time : N.A Think Time : N.A Minimum Instruction Time : 0**

**Correct Marks : 5 Wrong Marks : 1**

**Question Key Details :**

Key	Value
Comprehension	MCQ

Who are the first poets according to the ancient Indian Tradition?

1. Rshis
2. Vedic Seers
3. Dialecticians
4. Grammarians

**Options :**

485584137101. 1  
485584137102. 2  
485584137103. 3  
485584137104. 4

**Question Number : 271 Question Id : 48558434276 Question Type : MCQ Option Shuffling : No Is Question Mandatory : No Calculator : None Response Time : N.A Think Time : N.A Minimum Instruction Time : 0**

**Correct Marks : 5 Wrong Marks : 1**

**Question Key Details :**

Key	Value
Comprehension	MCQ

ಪ್ರಾಚೀನ ಭಾರತೀಯ ಸಂಪ್ರದಾಯಗಳ ಪ್ರಕಾರ ಮೊಟ್ಟ ಮೊದಲ ಕವಿಗಳು ಯಾರು?

1. ಮುನಿಗಳು
2. ವೇದದ ಗುರುಗಳು
3. ತರ್ಕಶಾಸ್ತ್ರಜ್ಞರು
4. ವ್ಯಾಕರಣ ಶಾಸ್ತ್ರಜ್ಞರು

**Options :**

485584137101. 1  
485584137102. 2  
485584137103. 3  
485584137104. 4

**Question Number : 272 Question Id : 48558434277 Question Type : MCQ Option Shuffling : No Is Question Mandatory : No Calculator : None Response Time : N.A Think Time : N.A Minimum Instruction Time : 0**

**Correct Marks : 5 Wrong Marks : 1**

**Question Key Details :**

Key	Value
Comprehension	MCQ

Which among the following is referred as 'one of the living monuments of human intelligence'?

1. Language
2. Astadhyayi
3. Mahabhasya
4. Vakyapadiya

**Options :**

485584137105. 1  
485584137106. 2  
485584137107. 3  
485584137108. 4

**Question Number : 272 Question Id : 48558434277 Question Type : MCQ Option Shuffling : No Is Question Mandatory : No Calculator : None Response Time : N.A Think Time : N.A Minimum Instruction Time : 0**

**Correct Marks : 5 Wrong Marks : 1**

**Question Key Details :**

Key	Value
Comprehension	MCQ

ಈ ಕೆಳಗಿನವುಗಳಲ್ಲಿ ಯಾವುದವನ್ನು ಮಾನವ ಬೌದ್ಧಿಕತೆಯ ಒಂದು ಜೀವಂತ ಸ್ಮಾರಕವೆಂದು ಕರೆಯಲಾಗಿದೆ?

1. ಭಾಷೆ
2. ಅಷ್ಟಾಧ್ಯಾಯಿ
3. ಮಹಾಭಾಷ್ಯ
4. ವಾಕ್ಯಪದೀಯ

**Options :**

485584137105. 1  
485584137106. 2  
485584137107. 3  
485584137108. 4

**Question Number : 273 Question Id : 48558434278 Question Type : MCQ Option Shuffling : No Is Question Mandatory : No Calculator : None Response Time : N.A Think Time : N.A Minimum Instruction Time : 0**

**Correct Marks : 5 Wrong Marks : 1**

**Question Key Details :**

Key	Value
Comprehension	MCQ

How many sutras are given in the invaluable work of Panini's Astadhyayi?

1. 2,000
2. 1,000
3. 4,000
4. 3,000

**Options :**

485584137109. 1  
485584137110. 2  
485584137111. 3  
485584137112. 4

**Question Number : 273 Question Id : 48558434278 Question Type : MCQ Option Shuffling : No Is Question Mandatory : No Calculator : None Response Time : N.A Think Time : N.A Minimum Instruction Time : 0**

**Correct Marks : 5 Wrong Marks : 1**

**Question Key Details :**

Key	Value
Comprehension	MCQ

ಪಾಣಿನಿಯ ಬೆಲೆ ಕಟ್ಟಲಾಗದ ಕೃತಿ ಅಷ್ಟಾಧ್ಯಾಯದಲ್ಲಿ ಎಷ್ಟು ಸೂತ್ರಗಳನ್ನು ನೀಡಲಾಗಿದೆ?

1. 2,000
2. 1,000
3. 4,000
4. 3,000

**Options :**

485584137109. 1  
485584137110. 2  
485584137111. 3  
485584137112. 4

**Question Number : 274 Question Id : 48558434279 Question Type : MCQ Option Shuffling : No Is Question Mandatory : No Calculator : None Response Time : N.A Think Time : N.A Minimum Instruction Time : 0**

**Correct Marks : 5 Wrong Marks : 1**

**Question Key Details :**

Key	Value
Comprehension	MCQ

Match List I with List II

LIST I		LIST II	
A.	Ghumar	I.	Ring dance
B.	Kalbela	II.	Rhythmic Clapping
C.	Giddha	III.	Swirling robes
D.	Garba	IV.	Black Swirling skirts

Choose the correct answer from the options given below:

1. A-I, B-II, C-III, D-IV
2. A-III, B-IV, C-I, D-II
3. A-II, B-III, C-IV, D-I
4. A-I, B-II, C-IV, D-III

**Options :**

485584137113. 1  
485584137114. 2  
485584137115. 3  
485584137116. 4

**Question Number : 274 Question Id : 48558434279 Question Type : MCQ Option Shuffling : No Is Question Mandatory : No Calculator : None Response Time : N.A Think Time : N.A Minimum Instruction Time : 0**

**Correct Marks : 5 Wrong Marks : 1**

**Question Key Details :**

Key	Value
Comprehension	MCQ

ಪಟ್ಟಿ - I ಅನ್ನು ಪಟ್ಟಿ - IIರ ಜೊತೆ ಹೊಂದಿಸಿ.

ಪಟ್ಟಿ - I		ಪಟ್ಟಿ - II	
A.	ಘುಮಾರ್	I.	ರಿಂಗ್ ನೃತ್ಯ
B.	ಕಾಲ್ಬೇಲಿಯಾ	II.	ಲಯಬದ್ಧ ಚಪ್ಪಾಳೆ ತಟ್ಟುವುದು
C.	ಗಿದ್ದಾ	III.	ಸುಳಿ ಗೌನು
D.	ಗಾರ್ಬಾ	IV.	ಕಪ್ಪು ಸುಳಿ ಸ್ಕರ್ಟ್‌ಗಳು

ಈ ಕೆಳಗಿನ ಆಯ್ಕೆಗಳಿಂದ ಸರಿಯಾದ ಉತ್ತರವನ್ನು ಆರಿಸಿ:

1. A-I, B-II, C-III, D-IV
2. A-III, B-IV, C-I, D-II
3. A-II, B-III, C-IV, D-I
4. A-I, B-II, C-IV, D-III

**Options :**

485584137113. 1  
485584137114. 2  
485584137115. 3  
485584137116. 4

Question Number : 275 Question Id : 48558434280 Question Type : MCQ Option Shuffling : No Is Question Mandatory :  
No Calculator : None Response Time : N.A Think Time : N.A Minimum Instruction Time : 0  
Correct Marks : 5 Wrong Marks : 1  
Question Key Details :

Key	Value
Comprehension	MCQ

Hindu temple architecture is divided into different types. Choose the correct number to define different types.

1. 3
2. 2
3. 4
4. 1

Options :

485584137117. 1  
485584137118. 2  
485584137119. 3  
485584137120. 4

Question Number : 275 Question Id : 48558434280 Question Type : MCQ Option Shuffling : No Is Question Mandatory :  
No Calculator : None Response Time : N.A Think Time : N.A Minimum Instruction Time : 0  
Correct Marks : 5 Wrong Marks : 1  
Question Key Details :

Key	Value
Comprehension	MCQ

ಹಿಂದೂ ದೇವಸ್ಥಾನ ವಾಸ್ತುಶಿಲ್ಪವನ್ನು ವಿವಿಧ ರೀತಿಯಲ್ಲಿ ವಿಂಗಡಿಸಲಾಗಿದೆ. ವಿವಿಧ ರೀತಿಯನ್ನು  
ವ್ಯಾಖ್ಯಾನಿಸಲು ಸರಿಯಾದ ಸಂಖ್ಯೆಯನ್ನು ಆರಿಸಿ.

1. 3
2. 2
3. 4
4. 1

Options :

485584137117. 1  
485584137118. 2  
485584137119. 3  
485584137120. 4

Question Number : 276 Question Id : 48558434281 Question Type : MCQ Option Shuffling : No Is Question Mandatory :  
No Calculator : None Response Time : N.A Think Time : N.A Minimum Instruction Time : 0  
Correct Marks : 5 Wrong Marks : 1  
Question Key Details :

Key	Value
Comprehension	MCQ

The origin of Indian temple architecture can be traced to

1. Vedic times
2. Gupta Period
3. Medieval Period
4. Modern Period

**Options :**

485584137121. 1  
485584137122. 2  
485584137123. 3  
485584137124. 4

**Question Number : 276 Question Id : 48558434281 Question Type : MCQ Option Shuffling : No Is Question Mandatory : No Calculator : None Response Time : N.A Think Time : N.A Minimum Instruction Time : 0**

**Correct Marks : 5 Wrong Marks : 1**

**Question Key Details :**

Key	Value
Comprehension	MCQ

ಭಾರತೀಯ ದೇವಸ್ಥಾನದ ವಾಸ್ತುಶಿಲ್ಪದ ಉಗಮವನ್ನು ಈ ಕಾಲದಲ್ಲಿ ಪತ್ತೆಹಚ್ಚಬಹುದು:

1. ವೇದಗಳ ಕಾಲದಲ್ಲಿ
2. ಗುಪ್ತರ ಕಾಲದಲ್ಲಿ
3. ಮಧ್ಯಕಾಲೀನ ಕಾಲದಲ್ಲಿ
4. ಆಧುನಿಕ ಕಾಲದಲ್ಲಿ

**Options :**

485584137121. 1  
485584137122. 2  
485584137123. 3  
485584137124. 4

**Question Number : 277 Question Id : 48558434282 Question Type : MCQ Option Shuffling : No Is Question Mandatory : No Calculator : None Response Time : N.A Think Time : N.A Minimum Instruction Time : 0**

**Correct Marks : 5 Wrong Marks : 1**

**Question Key Details :**

Key	Value
Comprehension	MCQ

One central objective of Indian temple architecture is to connect human beings to

1. The world
2. The Religion
3. The community
4. The Universe

**Options :**

485584137125. 1  
485584137126. 2  
485584137127. 3  
485584137128. 4

**Question Number : 277 Question Id : 48558434282 Question Type : MCQ Option Shuffling : No Is Question Mandatory : No Calculator : None Response Time : N.A Think Time : N.A Minimum Instruction Time : 0**

**Correct Marks : 5 Wrong Marks : 1**

**Question Key Details :**

Key	Value
Comprehension	MCQ

ಭಾರತೀಯ ದೇವಸ್ಥಾನ ವಾಸ್ತುಶಿಲ್ಪದ ಒಂದು ಕೇಂದ್ರೀಯ ಉದ್ದೇಶವೆಂದರೆ, ಮಾನವರನ್ನು ಇದಕ್ಕೆ ಸಂಪರ್ಕಿಸುವುದು:

1. ಪ್ರಪಂಚ
2. ಧರ್ಮ
3. ಸಮುದಾಯ
4. ವಿಶ್ವ

**Options :**

485584137125. 1  
485584137126. 2  
485584137127. 3  
485584137128. 4

**Question Number : 278 Question Id : 48558434283 Question Type : MCQ Option Shuffling : No Is Question Mandatory : No Calculator : None Response Time : N.A Think Time : N.A Minimum Instruction Time : 0**

**Correct Marks : 5 Wrong Marks : 1**

**Question Key Details :**

Key	Value
Comprehension	MCQ



What is the concept of monolithic temples among the following:

1. Carved wholly out of one piece of rock
2. made in monolithic era
3. made in stones from very ancient times
4. only the deity is carved from and one stone

**Options :**

485584137129. 1  
485584137130. 2  
485584137131. 3  
485584137132. 4

**Question Number : 278 Question Id : 48558434283 Question Type : MCQ Option Shuffling : No Is Question Mandatory : No Calculator : None Response Time : N.A Think Time : N.A Minimum Instruction Time : 0**

**Correct Marks : 5 Wrong Marks : 1**

**Question Key Details :**

Key	Value
Comprehension	MCQ

ಈ ಕೆಳಗಿನವುಗಳಲ್ಲಿ ಏಕಶಿಲಾ ದೇವಸ್ಥಾನಗಳ ಪರಿಕಲ್ಪನೆ ಏನು?

1. ಒಂದು ಬಂಡೆಕಲ್ಲಿನ ತುಣುಕಿನಿಂದ ಸಂಪೂರ್ಣವಾಗಿ ಕೆತ್ತಲಾಗಿದೆ
2. ಏಕಶಿಲಾಯುಗದಲ್ಲಿ ನಿರ್ಮಿಸಲಾಗಿದೆ
3. ಅತ್ಯಂತ ಪ್ರಾಚೀನ ಕಾಲದಿಂದ ಕಲ್ಲುಗಳಲ್ಲಿ ಮಾಡಲಾಗಿದೆ
4. ದೇವತೆಯನ್ನು ಮಾತ್ರ ಒಂದು ಕಲ್ಲಿನಿಂದ ಕೆತ್ತಲಾಗಿದೆ

**Options :**

485584137129. 1  
485584137130. 2  
485584137131. 3  
485584137132. 4

**Question Number : 279 Question Id : 48558434284 Question Type : MCQ Option Shuffling : No Is Question Mandatory : No Calculator : None Response Time : N.A Think Time : N.A Minimum Instruction Time : 0**

**Correct Marks : 5 Wrong Marks : 1**

**Question Key Details :**

Key	Value
Comprehension	MCQ

How many types of fight are included in vajramusti?

1. 6
2. 4
3. 3
4. 5

**Options :**

485584137133. 1  
485584137134. 2  
485584137135. 3  
485584137136. 4

**Question Number : 279 Question Id : 48558434284 Question Type : MCQ Option Shuffling : No Is Question Mandatory : No Calculator : None Response Time : N.A Think Time : N.A Minimum Instruction Time : 0**

**Correct Marks : 5 Wrong Marks : 1**

**Question Key Details :**

Key	Value
Comprehension	MCQ

ವಜ್ರಮುಷ್ಟಿಯಲ್ಲಿ ಎಷ್ಟು ವಿಧದ ಸ್ವರ್ಧೆಗಳನ್ನು ಸೇರಿಸಲಾಗಿದೆ?

1. 6
2. 4
3. 3
4. 5

**Options :**

485584137133. 1  
485584137134. 2  
485584137135. 3  
485584137136. 4

**Question Number : 280 Question Id : 48558434285 Question Type : MCQ Option Shuffling : No Is Question Mandatory : No Calculator : None Response Time : N.A Think Time : N.A Minimum Instruction Time : 0**

**Correct Marks : 5 Wrong Marks : 1**

**Question Key Details :**

Key	Value
Comprehension	MCQ

Give name of one of the oldest Martial Arts in existence which is said to have originated in Kerala?

1. Ankavinoda
2. Sastrasrama
3. Mallakhamba
4. Kalaripayattu

**Options :**

485584137137. 1  
485584137138. 2  
485584137139. 3  
485584137140. 4

**Question Number : 280 Question Id : 48558434285 Question Type : MCQ Option Shuffling : No Is Question Mandatory : No Calculator : None Response Time : N.A Think Time : N.A Minimum Instruction Time : 0**

**Correct Marks : 5 Wrong Marks : 1**

**Question Key Details :**

Key	Value
Comprehension	MCQ

ಕೇರಳದಲ್ಲಿ ಉಗಮವಾಗಿದೆ ಎಂದು ಹೇಳಲಾಗುವ ಅಸ್ತಿತ್ವದಲ್ಲಿರುವ ಒಂದು ಅತ್ಯಂತ ಪ್ರಾಚೀನ ಕ್ಷಾತ್ರಕಲೆ (ಮಾರ್ಷಲ್ ಆರ್ಟ್)ಯ ಹೆಸರನ್ನು ನೀಡಿ:

1. ಯಅಂಕವಿನೋದ
2. ಶಾಸ್ತ್ರಾಶ್ರಮ
3. ಮಲ್ಲಕಂಬ
4. ಕಲಾಪಿಪ್ಪಾಯಟ್ಟು

**Options :**

485584137137. 1  
485584137138. 2  
485584137139. 3  
485584137140. 4

**Question Number : 281 Question Id : 48558434286 Question Type : MCQ Option Shuffling : No Is Question Mandatory : No Calculator : None Response Time : N.A Think Time : N.A Minimum Instruction Time : 0**

**Correct Marks : 5 Wrong Marks : 1**

**Question Key Details :**

Key	Value
Comprehension	MCQ

Chint was brought to Europe by which traders?

1. Italian and German traders
2. Portuguese and Dutch traders
3. Dutch and Italian Traders
4. German and Irish Traders

**Options :**

485584137141. 1  
485584137142. 2  
485584137143. 3  
485584137144. 4

**Question Number : 281 Question Id : 48558434286 Question Type : MCQ Option Shuffling : No Is Question Mandatory : No Calculator : None Response Time : N.A Think Time : N.A Minimum Instruction Time : 0**

**Correct Marks : 5 Wrong Marks : 1**

**Question Key Details :**

Key	Value
Comprehension	MCQ

ಯಾವ ವ್ಯಾಪಾರಿಗಳಿಂದ ಚಿಂಟ್ ಯುರೋಪಿಗೆ ತರಲ್ಪಟ್ಟಿತು?

1. ಇಟಲಿಯ ಮತ್ತು ಜರ್ಮನಿಯ ವ್ಯಾಪಾರಿಗಳಿಂದ
2. ಪೋರ್ಚುಗೀಸ್ ಮತ್ತು ಡಚ್ ವ್ಯಾಪಾರಿಗಳಿಂದ
3. ಡಚ್ ಮತ್ತು ಇಟಾಲಿಯನ್ ವ್ಯಾಪಾರಿಗಳಿಂದ
4. ಜರ್ಮನ್ ಮತ್ತು ಐರಿಷ್ ವ್ಯಾಪಾರಿಗಳಿಂದ

**Options :**

485584137141. 1  
485584137142. 2  
485584137143. 3  
485584137144. 4

**Question Number : 282 Question Id : 48558434287 Question Type : MCQ Option Shuffling : No Is Question Mandatory : No Calculator : None Response Time : N.A Think Time : N.A Minimum Instruction Time : 0**

**Correct Marks : 5 Wrong Marks : 1**

**Question Key Details :**

Key	Value
Comprehension	MCQ

Name the textile made from unbleached cotton?

1. Calico
2. Linen
3. Jute
4. Hemp

**Options :**

485584137145. 1  
485584137146. 2  
485584137147. 3  
485584137148. 4

**Question Number : 282 Question Id : 48558434287 Question Type : MCQ Option Shuffling : No Is Question Mandatory : No Calculator : None Response Time : N.A Think Time : N.A Minimum Instruction Time : 0**

**Correct Marks : 5 Wrong Marks : 1**

**Question Key Details :**

Key	Value
Comprehension	MCQ

ಬ್ಲೀಚ್ ಮಾಡಿರದ ಹತ್ತಿಯಿಂದ ತಯಾರಿಸಿದ ಉಡುಪನ್ನು ಹೆಸರಿಸಿ:

1. ಕ್ಯಾಲಿಕೊ
2. ಲೈನನ್
3. ಗೋಣಿನಾರು
4. ಸೆಣಬು

**Options :**

485584137145. 1  
485584137146. 2  
485584137147. 3  
485584137148. 4

**Question Number : 283 Question Id : 48558434288 Question Type : MCQ Option Shuffling : No Is Question Mandatory : No Calculator : None Response Time : N.A Think Time : N.A Minimum Instruction Time : 0**

**Correct Marks : 5 Wrong Marks : 1**

**Question Key Details :**

Key	Value
Comprehension	MCQ

Arrange the technologies according to their origin time period:

- A. Art of paper making
- B. Pottery
- C. Rockets
- D. Fired Bricks

Choose the correct answer from the options given below:

1. A, B, C, D
2. D, C, A, B
3. D, B, A, C
4. B, C, A, D

**Options :**

- 485584137149. 1
- 485584137150. 2
- 485584137151. 3
- 485584137152. 4

**Question Number : 283 Question Id : 48558434288 Question Type : MCQ Option Shuffling : No Is Question Mandatory : No Calculator : None Response Time : N.A Think Time : N.A Minimum Instruction Time : 0**

**Correct Marks : 5 Wrong Marks : 1**

**Question Key Details :**

Key	Value
Comprehension	MCQ

ಅವುಗಳ ಉಗಮ ಸಮಯದ ಪ್ರಕಾರ ತಂತ್ರಜ್ಞಾನಗಳನ್ನು ಜೋಡಿಸಿ:

- A. ಕಾಗದ ತಯಾರಿಸುವ ಕಲೆ
- B. ಕುಂಬಾರಿಕೆ
- C. ರಾಕೆಟ್‌ಗಳು
- D. ಸುಟ್ಟ ಇಟ್ಟಿಗೆಗಳು

ಈ ಕೆಳಗಿನ ಆಯ್ಕೆಗಳಿಂದ ಸರಿಯಾದ ಉತ್ತರವನ್ನು ಆರಿಸಿ:

1. A, B, C, D
2. D, C, A, B
3. D, B, A, C
4. B, C, A, D

**Options :**

- 485584137149. 1
- 485584137150. 2
- 485584137151. 3
- 485584137152. 4

Question Number : 284 Question Id : 48558434289 Question Type : MCQ Option Shuffling : No Is Question Mandatory : No Calculator : None Response Time : N.A Think Time : N.A Minimum Instruction Time : 0

Correct Marks : 5 Wrong Marks : 1

Question Key Details :

Key	Value
Comprehension	MCQ

Which two countries together controlling nearly 60 per cent of the worlds GDP 2,000 year ago.

- A. India
- B. China
- C. Romans
- D. East Africa

Choose the correct answer from the options given below:

1. A and C only
2. B and D only
3. A and B only
4. C and D only

Options :

- 485584137153. 1
- 485584137154. 2
- 485584137155. 3
- 485584137156. 4

Question Number : 284 Question Id : 48558434289 Question Type : MCQ Option Shuffling : No Is Question Mandatory : No Calculator : None Response Time : N.A Think Time : N.A Minimum Instruction Time : 0

Correct Marks : 5 Wrong Marks : 1

Question Key Details :

Key	Value
Comprehension	MCQ

2000 ವರ್ಷಗಳ ಹಿಂದೆ ಯಾವ ಎರಡು ದೇಶಗಳು ವಿಶ್ವ GDP ಯ ಪ್ರತಿಶತ 60 ಅನ್ನು ಒಟ್ಟಿಗೆ ನಿಯಂತ್ರಿಸುತ್ತದೆ?

- A. ಭಾರತ
- B. ಚೀನಾ
- C. ರೋಮನ್ನರು
- D. ಪೂರ್ವ ಆಫ್ರಿಕಾ

ಈ ಕೆಳಗಿನ ಆಯ್ಕೆಗಳಿಂದ ಸರಿಯಾದ ಉತ್ತರವನ್ನು ಆರಿಸಿ:

1. A ಮತ್ತು C ಮಾತ್ರ
2. B ಮತ್ತು D ಮಾತ್ರ
3. A ಮತ್ತು B ಮಾತ್ರ
4. C ಮತ್ತು D ಮಾತ್ರ

**Options :**

485584137153. 1  
485584137154. 2  
485584137155. 3  
485584137156. 4

**Question Number : 285 Question Id : 48558434290 Question Type : MCQ Option Shuffling : No Is Question Mandatory : No Calculator : None Response Time : N.A Think Time : N.A Minimum Instruction Time : 0**

**Correct Marks : 5 Wrong Marks : 1**

**Question Key Details :**

Key	Value
Comprehension	MCQ

In which century, Roman empire began the trade with India?

1. 3<sup>rd</sup> Century BCE
2. 4<sup>th</sup> Century BCE
3. 2<sup>nd</sup> Century BCE
4. 5<sup>th</sup> Century BCE

**Options :**

485584137157. 1  
485584137158. 2  
485584137159. 3  
485584137160. 4

**Question Number : 285 Question Id : 48558434290 Question Type : MCQ Option Shuffling : No Is Question Mandatory : No Calculator : None Response Time : N.A Think Time : N.A Minimum Instruction Time : 0**

**Correct Marks : 5 Wrong Marks : 1**

**Question Key Details :**

Key	Value
Comprehension	MCQ

ಯಾವ ಶತಮಾನದಲ್ಲಿ ರೋಮನ್ ಸಾಮ್ರಾಜ್ಯವು ಭಾರತದೊಂದಿಗೆ ವ್ಯಾಪಾರ ಆರಂಭಿಸಿದರು?

1. 3ನೇ ಶತಮಾನ BCE
2. 4ನೇ ಶತಮಾನ BCE
3. 2ನೇ ಶತಮಾನ BCE
4. 5ನೇ ಶತಮಾನ BCE

**Options :**

485584137157. 1  
485584137158. 2  
485584137159. 3  
485584137160. 4



**Question Number : 286 Question Id : 48558434291 Question Type : MCQ Option Shuffling : No Is Question Mandatory : No Calculator : None Response Time : N.A Think Time : N.A Minimum Instruction Time : 0**

**Correct Marks : 5 Wrong Marks : 1**

**Question Key Details :**

Key	Value
Comprehension	MCQ

Match List I with List II

LIST I		LIST II	
A.	Chau	I.	Harvest time
B.	Bihu	II.	Polished Sticks
C.	Dollu Kunitha	III.	Mask
D.	Dandiya	IV.	drum dance

Choose the correct answer from the options given below:

1. A-III, B-I, C-IV, D-II
2. A-II, B-I, C-III, D-IV
3. A-IV, B-III, C-II, D-I
4. A-I, B-II, C-III, D-IV

**Options :**

- 485584137161. 1
- 485584137162. 2
- 485584137163. 3
- 485584137164. 4

**Question Number : 286 Question Id : 48558434291 Question Type : MCQ Option Shuffling : No Is Question Mandatory : No Calculator : None Response Time : N.A Think Time : N.A Minimum Instruction Time : 0**

**Correct Marks : 5 Wrong Marks : 1**

**Question Key Details :**

Key	Value
Comprehension	MCQ

ಪಟ್ಟಿ - I ಅನ್ನು ಪಟ್ಟಿ - IIರ ಜೊತೆ ಹೊಂದಿಸಿ.

ಪಟ್ಟಿ - I		ಪಟ್ಟಿ - II	
A.	ಚೌ	I.	ಕಟಾವಿನ ಸಮಯ
B.	ಬಿಹು	II.	ಹೊಳಬಿಸಿದ ಕೋಲುಗಳು
C.	ಡೊಳ್ಳು ಕುಣಿತ	III.	ಮುಖವಾಡ
D.	ದಾಂಡಿಯಾ	IV.	ಡ್ರಮ್ ನೃತ್ಯ

ಈ ಕೆಳಗಿನ ಆಯ್ಕೆಗಳಿಂದ ಸರಿಯಾದ ಉತ್ತರವನ್ನು ಆರಿಸಿ:

1. A-III, B-I, C-IV, D-II
2. A-II, B-I, C-III, D-IV
3. A-IV, B-III, C-II, D-I
4. A-I, B-II, C-III, D-IV

**Options :**

485584137161. 1  
485584137162. 2  
485584137163. 3  
485584137164. 4

**Question Number : 287 Question Id : 48558434292 Question Type : MCQ Option Shuffling : No Is Question Mandatory : No Calculator : None Response Time : N.A Think Time : N.A Minimum Instruction Time : 0**

**Correct Marks : 5 Wrong Marks : 1**

**Question Key Details :**

Key	Value
Comprehension	MCQ

Silpasastra or Vastu Vidya the science of architecture was studied in ancient India within

- A. Ayurveda
- B. Dhanurved
- C. Jyotisa
- D. Rgveda

Choose the correct answer from the options given below:

1. B, D, C only
2. A, C, D only
3. A, D, B only
4. A, B, C only

**Options :**

485584137165. 1  
485584137166. 2  
485584137167. 3  
485584137168. 4

Question Number : 287 Question Id : 48558434292 Question Type : MCQ Option Shuffling : No Is Question Mandatory : No Calculator : None Response Time : N.A Think Time : N.A Minimum Instruction Time : 0

Correct Marks : 5 Wrong Marks : 1

Question Key Details :

Key	Value
Comprehension	MCQ

ವಾಸ್ತುಶಿಲ್ಪದ ವಿಜ್ಞಾನವಾಗ ಶಿಲ್ಪಶಾಸ್ತ್ರ ಅಥವಾ ವಾಸ್ತುವಿದ್ಯೆಯು ಪ್ರಾಚೀನ ಭಾರತದಲ್ಲಿ ಅಧ್ಯಯನ ಮಾಡಿದ್ದು ಇದರಲ್ಲಿ:

- A. ಆಯುರ್ವೇದ
- B. ಧನುರ್ವೇದ
- C. ಜ್ಯೋತಿಷ್ಯ
- D. ಋಗ್ವೇದ

ಈ ಕೆಳಗಿನ ಆಯ್ಕೆಗಳಿಂದ ಸರಿಯಾದ ಉತ್ತರವನ್ನು ಆರಿಸಿ:

1. B, D, C ಮಾತ್ರ
2. A, C, D ಮಾತ್ರ
3. A, D, B ಮಾತ್ರ
4. A, B, C ಮಾತ್ರ

Options :

- 485584137165. 1
- 485584137166. 2
- 485584137167. 3
- 485584137168. 4

Question Number : 288 Question Id : 48558434293 Question Type : MCQ Option Shuffling : No Is Question Mandatory : No Calculator : None Response Time : N.A Think Time : N.A Minimum Instruction Time : 0

Correct Marks : 5 Wrong Marks : 1

Question Key Details :

Key	Value
Comprehension	MCQ

Match List I with List II

LIST I		LIST II	
A.	Kucipudi	I.	Manipur
B.	Manipuri	II.	Uttar Pradesh
C.	Odissi	III.	Andhra Pradesh
D.	Kathak	IV.	Odisha

Choose the correct answer from the options given below:

1. A-III, B-I, C-IV, D-II
2. A-I, B-II, C-III, D-IV
3. A-III, B-II, C-I, D-IV
4. A-IV, B-III, C-II, D-I

**Options :**

485584137169. 1  
485584137170. 2  
485584137171. 3  
485584137172. 4

**Question Number : 288 Question Id : 48558434293 Question Type : MCQ Option Shuffling : No Is Question Mandatory : No Calculator : None Response Time : N.A Think Time : N.A Minimum Instruction Time : 0**

**Correct Marks : 5 Wrong Marks : 1**

**Question Key Details :**

Key	Value
Comprehension	MCQ

ಪಟ್ಟಿ - I ಅನ್ನು ಪಟ್ಟಿ - IIರ ಜೊತೆ ಹೊಂದಿಸಿ.

ಪಟ್ಟಿ - I		ಪಟ್ಟಿ - II	
A.	ಕುಚಿಪುಡಿ	I.	ಮಣಿಪುರ
B.	ಮಣಿಪುರಿ	II.	ಉತ್ತರ ಪ್ರದೇಶ
C.	ಒಡಿಸ್ಸಿ	III.	ಆಂಧ್ರ ಪ್ರದೇಶ
D.	ಕಥಕ್	IV.	ಒಡಿಶಾ

ಈ ಕೆಳಗಿನ ಆಯ್ಕೆಗಳಿಂದ ಸರಿಯಾದ ಉತ್ತರವನ್ನು ಆರಿಸಿ:

1. A-III, B-I, C-IV, D-II
2. A-I, B-II, C-III, D-IV
3. A-III, B-II, C-I, D-IV
4. A-IV, B-III, C-II, D-I

**Options :**

485584137169. 1  
485584137170. 2  
485584137171. 3  
485584137172. 4

Question Number : 289 Question Id : 48558434294 Question Type : MCQ Option Shuffling : No Is Question Mandatory : No Calculator : None Response Time : N.A Think Time : N.A Minimum Instruction Time : 0  
Correct Marks : 5 Wrong Marks : 1  
Question Key Details :

Key	Value
Comprehension	MCQ

Choose the correct order of Vedas as suggested below:

- A. Samveda
- B. Atharveda
- C. Rgveda
- D. Yajurveda

Choose the correct answer from the options given below:

- 1. A - B - C - D
- 2. C - D - A - B
- 3. B - C - A - D
- 4. D - C - A - B

Options :

- 485584137173. 1
- 485584137174. 2
- 485584137175. 3
- 485584137176. 4

Question Number : 289 Question Id : 48558434294 Question Type : MCQ Option Shuffling : No Is Question Mandatory : No Calculator : None Response Time : N.A Think Time : N.A Minimum Instruction Time : 0  
Correct Marks : 5 Wrong Marks : 1  
Question Key Details :

Key	Value
Comprehension	MCQ

ಕೆಳಗೆ ಸೂಚಿಸಿದ ಹಾಗೆ ವೇದಗಳ ಸರಿಯಾದ ಕ್ರಮವನ್ನು ಆರಿಸಿ:

- A. ಸಾಮವೇದ
- B. ಅಥರ್ವವೇದ
- C. ಋಗ್ವೇದ
- D. ಯಜುರ್ವೇದ

ಈ ಕೆಳಗಿನ ಆಯ್ಕೆಗಳಿಂದ ಸರಿಯಾದ ಉತ್ತರವನ್ನು ಆರಿಸಿ:

- 1. A - B - C - D
- 2. C - D - A - B
- 3. B - C - A - D
- 4. D - C - A - B

**Options :**

485584137173. 1  
485584137174. 2  
485584137175. 3  
485584137176. 4

**Question Number : 290 Question Id : 48558434295 Question Type : MCQ Option Shuffling : No Is Question Mandatory : No Calculator : None Response Time : N.A Think Time : N.A Minimum Instruction Time : 0**

**Correct Marks : 5 Wrong Marks : 1**

**Question Key Details :**

Key	Value
Comprehension	MCQ

Which fort is known for not being on a hilltop?

1. Gwalior Fort
2. Mehrangarh Fort
3. Junagarh fort
4. Amber Fort

**Options :**

485584137177. 1  
485584137178. 2  
485584137179. 3  
485584137180. 4

**Question Number : 290 Question Id : 48558434295 Question Type : MCQ Option Shuffling : No Is Question Mandatory : No Calculator : None Response Time : N.A Think Time : N.A Minimum Instruction Time : 0**

**Correct Marks : 5 Wrong Marks : 1**

**Question Key Details :**

Key	Value
Comprehension	MCQ

ಯಾವ ಕೋಟೆಯ ಬೆಚ್ಚದ ತುದಿಯಲ್ಲಿಲ್ಲದಿರುವುದಕ್ಕೆ ಹೆಸರಾಗಿದೆ?

1. ಗ್ವಾಲಿಯರ್ ಕೋಟೆ
2. ಮೆಹ್ರಂಗಡ ಕೋಟೆ
3. ಜುನಾಗಡ ಕೋಟೆ
4. ಅಂಬರ್ ಕೋಟೆ

**Options :**

485584137177. 1  
485584137178. 2  
485584137179. 3  
485584137180. 4

**Sub-Section Number :**

2

**Sub-Section Id :**

4855842543

**Question Shuffling Allowed :**

No

Is Section Default? :

null

Question Number : 291 Question Id : 48558434296 Question Type : MCQ Option Shuffling : No Is Question Mandatory : No Calculator : None Response Time : N.A Think Time : N.A Minimum Instruction Time : 0

Correct Marks : 5 Wrong Marks : 1

Question Key Details :

Key	Value
Comprehension	Comp1

Read the passage and answer the following questions given below:-

Kathakali is a classical dance form which originated in Kerala. Katha in Sanskrit means story and kali in Malayalam means play. So Kathakali is a play based on a story. Kathakali, like other classical dances of India, has its origins in Bharata Muni's Natyasastra. It is an art which has evolved from many social and religious theatrical art forms like Cakiarkottu, Kudiattam, Krsnattam, Ramattam which existed in the Southern region in ancient times. The main custodian of Kathakali is the famous poet Vallathol Narayana Menon who established Kerala Kalamandalam in 1930 for the preservation of this art form.

Kathakali, a stylised art form, is a blend of dance music and acting and dramatizes stories mostly adapted from the Indian epics. All the four aspects of abhinaya - angika, vacika, aharya, Sattrika and the three components of the dance - natya, nrta and nrtya are unified flawlessly in this form. As far as the costume of this dance form is concerned, it is elaborate and designed to heighten the effect of physical strength. The large overcoats, the flowing scarves, the bulging skirts, the antique ornaments, the strikingly opulent head dresses with streaming hair flowing down to the waist and covering the back all create enlarged figures well befitting the sculptured facial features and produce tremendously impressive impersonations. If the characters are Sattvika (a righteous character or hero), the basic make up is pacca (green); if the characters are rajsika (a character with particular vices or anti hero) the basic make up is cutti (white); and if the characters are tamsika (an evil character or villain), the basic green make up is broken up by red patches. Also, on the basic green make up, an oral red and white design is made on the nose and on the upper nose.

Classical Dance form Kathakali originated in which state of India?

1. Karnataka
2. Tamil Nadu
3. Andhra Pradesh
4. Kerala

Options :

485584137181. 1  
485584137182. 2  
485584137183. 3  
485584137184. 4

Question Number : 291 Question Id : 48558434296 Question Type : MCQ Option Shuffling : No Is Question Mandatory : No Calculator : None Response Time : N.A Think Time : N.A Minimum Instruction Time : 0

Correct Marks : 5 Wrong Marks : 1

Question Key Details :

Key	Value
Comprehension	Comp1

ವಾಕ್ಯಪುಂಜವನ್ನು ಓದಿ ಮತ್ತು ಕೆಳಗೆ ನೀಡಿರುವ ಪ್ರಶ್ನೆಗಳಿಗೆ ಉತ್ತರಿಸಿ.

ಕತಕಲಿಯು ಒಂದು ಶಾಸ್ತ್ರೀಯ ನೃತ್ಯ ರೂಪಕವಾಗಿದ್ದು, ಅದು ಕೇರಳದಿಂದ ಉಗಮವಾಗಿದೆ. ಸಂಸ್ಕೃತದಲ್ಲಿ ಕತ ಎಂದರೆ ಕತೆ ಮತ್ತು ಕಲಿ ಮಲಯಾಳಂನಲ್ಲಿ ನಾಟಕ ಎಂತರ್ಥ. ಆದ್ದರಿಂದ ಕಥಕಲಿಯು ಒಂದು ಕಥೆಯಾಧಾರಿತ ನಾಟಕ. ಇತರ ಭಾರತೀಯ ಶಾಸ್ತ್ರೀಯ ನೃತ್ಯಗಳ ಹಾಗೆಯೇ ಕತಕಲಿಯು ಭರತಮುನಿಯ ನ್ಯಾಯಶಾಸ್ತ್ರದಲ್ಲಿ ಮೂಲಗಳನ್ನು ಹೊಂದಿದೆ. ಇದೊಂದು ಕಲೆಯಾಗಿದ್ದು, ಪ್ರಾಚೀನ ಕಾಲದಲ್ಲಿ ದಕ್ಷಿಣ ಪ್ರದೇಶಗಳಲ್ಲಿ ಅಸ್ತಿತ್ವದಲ್ಲಿದ್ದ ಹಲವು ಸಾಮಾಜಿಕ ಮತ್ತು ಧಾರ್ಮಿಕ ರಂಗಭೂಮಿ ಕಲೆಗಳಾದ ಕಾಕಿಯಾಕೊಟ್ಟು, ಕುಡಿಯಾಟ್ಟು, ಕೃಷ್ಣಾಟ್ಟು, ಕಾಮಾಟ್ಟುಮಗಳಿಂದ ವಿಕಸಿತವಾಗಿದೆ. 1930ರಲ್ಲಿ ಈ ಕಲಾರೂಪಕವನ್ನು ಸಂರಕ್ಷಿಸಲು ಕೇರಳ ಕಲಾಮಂಡಲಮ್ ಅನ್ನು ಸ್ಥಾಪಿಸಿದ ಸುಪ್ರಸಿದ್ಧ ಕವಿ ವಲ್ಲತ್ತೋಲ್ ನಾರಾಯಣ ಮೆನನ್ ಕತಕಲಿಯ ಮುಖ್ಯ ಪಾರುಪತ್ಯಗಾರರು.

ಕತಕಲಿಯು ನೃತ್ಯ ಸಂಗೀತ ಮತ್ತು ನಟನೆ ಮತ್ತು ಬಹುಶಃ ಭಾರತೀಯ ಗ್ರಂಥಗಳಿಂದ ಅಳವಡಿಸಿಕೊಂಡು ನಾಟಕ ಕತೆಗಳ ಒಂದು ಮಿಶ್ರಣಗೊಂಡ ಒಂದು ಶೈಲಿಯ ರೂಪಕ. ಅಭಿನಯದ ಎಲ್ಲಾ ನಾಲ್ಕು ಅಂಶಗಳಾದ - ಆಂಗಿಕ, ವಾಚಿಕ, ಆಹಾರ್ಯ, ನಾತ್ವಿಕ ಮತ್ತು ನೃತ್ಯ ಮೂರು ಭಾಗಗಳಾದ - ನಾಟ್ಯ, ನರ್ತ ಮತ್ತು ನೃತ್ಯಗಳನ್ನು ಈ ರೂಪಕದಲ್ಲಿ ತಡವಿಲ್ಲದೆ ಜೋಡಿಸಲಾಗಿದೆ. ಈ ನೃತ್ಯ ರೂಪಕ ಉಡುಪಿಗೆ ಸಂಬಂಧಿಸಿದಂತೆ, ಇದು ವಿಸ್ತಾರವಾಗಿದೆ ಮತ್ತು ಶಾರೀರಿಕ ಬಲದ ಪ್ರಭಾವವನ್ನು ಹೆಚ್ಚಿಸಲು ವಿನ್ಯಾಸ ಮಾಡಲಾಗಿದೆ. ಹಿರಿದಾದ ಮೇಲಿನ ಹೊದಿಕೆಗಳು, ಸೀಳು ಕೊರಳುಪಟ್ಟಿಗಳು, ಹಿಗ್ಗಿದ ಸೂಟ್‌ಗಳು, ಪ್ರಾಚೀನ ಆಭರಣಗಳು, ಎದ್ದು ಕಾಣುವ ಶಿರವಸ್ತ್ರಗಳು ಜೊತೆ ಸೊಂಟದ ವರೆಗೆ ಓಲಾಡುವ ಮತ್ತು ಹಿಂದಿನಿಂದ ಸಂಪೂರ್ಣವಾಗಿ ಮುಚ್ಚಿಕೊಂಡಿರುವುದು ಚಿತ್ರವನ್ನು ದೊಡ್ಡದಾಗಿ ಮಾಡಿ ಕೆತ್ತಿರುವ ಮುಖ ಲಕ್ಷಣಕ್ಕೆ ಚೆನ್ನಾಗಿ ಹೊಂದಿಕೊಂಡು ಮತ್ತು ಅದ್ಭುತವಾದ ಆಕರ್ಷಣೀಯ ವ್ಯಕ್ತಿತ್ವವನ್ನು ರಚಿಸುತ್ತದೆ. ಪಾತ್ರಗಳು ಸಾತ್ವಿಕವಾಗಿದ್ದರೆ (ಸೂಕ್ತ ಪಾತ್ರ ಅಥವಾ ನಾಯಕ) ಮೂಲ ಮೇಕ್-ಅಪ್ ಹಸಿರಿನಲ್ಲಿರುತ್ತದೆ; ರಾಜಸಿಕದ ಪಾತ್ರವಾಗಿದ್ದರೆ (ಒಂದು ನಿರ್ದಿಷ್ಟ ದುರ್ಗುಣವುಳ್ಳ ಪಾತ್ರ ಅಥವಾ ವಿರುದ್ಧ ನಾಯಕ) ಮೂಲ ಮೇಕ್-ಅಪ್ ಬಿಳಿಯಾಗಿರುತ್ತದೆ. ಮತ್ತು ಪಾತ್ರವು ತಾಮಸಿಕವಾಗಿದ್ದರೆ (ಕೆಟ್ಟ ಪಾತ್ರ ಅಥವಾ ಖಳನಾಯಕ) ಮೂಲ ಮೇಕ್-ಅಪ್ ಹಸುರುಗಳ ನಡುವೆ ಕಂಪು ಮಚ್ಚೆಗಳು. ಮೂಲ ಹಸಿರು ಮೇಕ್-ಅಪ್‌ನಲ್ಲಿ ಸಹ ಒಂದು ಮೌಖಿಕ ಕಂಪು ಮತ್ತು ಬಿಳಿ ವಿನ್ಯಾಸಗಳನ್ನು ಮೂಗಿನ ಮೇಲೆ ಮತ್ತು ಮೇಲ್ಮೂಗಿನ ಮೇಲೆ ಮಾಡಲಾಗುತ್ತದೆ.

ಶಾಸ್ತ್ರೀಯ ನೃತ್ಯ ರೂಪಕ ಕತಕಲಿಯ ಉಗಮವಾಗಿದ್ದು ಭಾರತದ ಯಾವ ರಾಜ್ಯದಲ್ಲಿ?

1. ಕರ್ನಾಟಕ
2. ತಮಿಳುನಾಡು
3. ಆಂಧ್ರಪ್ರದೇಶ
4. ಕೇರಳ

**Options :**

485584137181. 1  
485584137182. 2  
485584137183. 3  
485584137184. 4

**Question Number : 292 Question Id : 48558434297 Question Type : MCQ Option Shuffling : No Is Question Mandatory : No Calculator : None Response Time : N.A Think Time : N.A Minimum Instruction Time : 0**

**Correct Marks : 5 Wrong Marks : 1**

**Question Key Details :**

Key	Value
Comprehension	Comp1



Read the passage and answer the following questions given below:-

Kathakali is a classical dance form which originated in Kerala. Katha in Sanskrit means story and kali in Malayalam means play. So Kathakali is a play based on a story. Kathakali, like other classical dances of India, has its origins in Bharata Muni's Natyasastra. It is an art which has evolved from many social and religious theatrical art forms like Cakiarkottu, Kudiattam, Krsnattam, Ramattam which existed in the Southern region in ancient times. The main custodian of Kathakali is the famous poet Vallathol Narayana Menon who established Kerala Kalamandalam in 1930 for the preservation of this art form.

Kathakali, a stylised art form, is a blend of dance music and acting and dramatizes stories mostly adapted from the Indian epics. All the four aspects of abhinaya - angika, vacika, aharya, Sattrika and the three components of the dance - natya, nrnta and nrtya are unified flawlessly in this form, As far as the costume of this dance form is concerned, it is elaborate and designed to heighten the effect of physical strength. The large overcoats, the flowing scarves, the bulging skirts, the antique ornaments, the strikingly opulent head dresses with streaming hair flowing down to the waist and covering the back all create enlarged figures well befitting the sculptured facial features and produce tremendously impressive impersonations. If the characters are Sattvika (a righteous character or hero), the basic make up is pacca (green); if the characters are rajsika (a character with particular vices or anti hero) the basic make up is cutti (white); and if the characters are tamsika (an evil character or villain), the basic green make up is broken up by red patches. Also, on the basic green make up, an oral red and white design is made on the nose and on the upper nose.

Name the main custodian of Kathakali who established Kerala Kalamandalam in 1930 for the preservation of this art form?

1. Vedantam Lakshmi Narayana
2. Cinta Krsnamurthy
3. Vallathol Narayana Menon
4. Rukmini Devi

**Options :**

485584137185. 1  
485584137186. 2  
485584137187. 3  
485584137188. 4

**Question Number : 292 Question Id : 48558434297 Question Type : MCQ Option Shuffling : No Is Question Mandatory : No Calculator : None Response Time : N.A Think Time : N.A Minimum Instruction Time : 0**

**Correct Marks : 5 Wrong Marks : 1**

**Question Key Details :**

Key	Value
Comprehension	Comp1

ವಾಕ್ಯಪುಂಜವನ್ನು ಓದಿ ಮತ್ತು ಕೆಳಗೆ ನೀಡಿರುವ ಪ್ರಶ್ನೆಗಳಿಗೆ ಉತ್ತರಿಸಿ.

ಕತಕಲಿಯು ಒಂದು ಶಾಸ್ತ್ರೀಯ ನೃತ್ಯ ರೂಪಕವಾಗಿದ್ದು, ಅದು ಕೇರಳದಿಂದ ಉಗಮವಾಗಿದೆ. ಸಂಸ್ಕೃತದಲ್ಲಿ ಕತ ಎಂದರೆ ಕತೆ ಮತ್ತು ಕಲಿ ಮಲಯಾಳಂನಲ್ಲಿ ನಾಟಕ ಎಂತರ್ಥ. ಆದ್ದರಿಂದ ಕಥಕಲಿಯು ಒಂದು ಕಥೆಯಾಧಾರಿತ ನಾಟಕ. ಇತರ ಭಾರತೀಯ ಶಾಸ್ತ್ರೀಯ ನೃತ್ಯಗಳ ಹಾಗೆಯೇ ಕತಕಲಿಯು ಭರತಮುನಿಯ ನ್ಯಾಯಶಾಸ್ತ್ರದಲ್ಲಿ ಮೂಲಗಳನ್ನು ಹೊಂದಿದೆ. ಇದೊಂದು ಕಲೆಯಾಗಿದ್ದು, ಪ್ರಾಚೀನ ಕಾಲದಲ್ಲಿ ದಕ್ಷಿಣ ಪ್ರದೇಶಗಳಲ್ಲಿ ಅಸ್ತಿತ್ವದಲ್ಲಿದ್ದ ಹಲವು ಸಾಮಾಜಿಕ ಮತ್ತು ಧಾರ್ಮಿಕ ರಂಗಭೂಮಿ ಕಲೆಗಳಾದ ಕಾಕಿಯಾಕೊಟ್ಟು, ಕುಡಿಯಾಟ್ಟು, ಕೃಷ್ಣಾಟ್ಟು, ಕಾಮಾಟ್ಟುಮಗಳಿಂದ ವಿಕಸಿತವಾಗಿದೆ. 1930ರಲ್ಲಿ ಈ ಕಲಾರೂಪಕವನ್ನು ಸಂರಕ್ಷಿಸಲು ಕೇರಳ ಕಲಾಮಂಡಲಮ್ ಅನ್ನು ಸ್ಥಾಪಿಸಿದ ಸುಪ್ರಸಿದ್ಧ ಕವಿ ವಲ್ಲತ್ತೋಲ್ ನಾರಾಯಣ ಮೆನನ್ ಕತಕಲಿಯ ಮುಖ್ಯ ಪಾರುಪತ್ಯಗಾರರು.

ಕತಕಲಿಯು ನೃತ್ಯ ಸಂಗೀತ ಮತ್ತು ನಟನೆ ಮತ್ತು ಬಹುಶಃ ಭಾರತೀಯ ಗ್ರಂಥಗಳಿಂದ ಅಳವಡಿಸಿಕೊಂಡು ನಾಟಕ ಕತೆಗಳ ಒಂದು ಮಿಶ್ರಣಗೊಂಡ ಒಂದು ಶೈಲಿಯ ರೂಪಕ. ಅಭಿನಯದ ಎಲ್ಲಾ ನಾಲ್ಕು ಅಂಶಗಳಾದ - ಆಂಗಿಕ, ವಾಚಿಕ, ಆಹಾರ್ಯ, ನಾತ್ವಿಕ ಮತ್ತು ನೃತ್ಯ ಮೂರು ಭಾಗಗಳಾದ - ನಾಟ್ಯ, ನರ್ತ ಮತ್ತು ನೃತ್ಯಗಳನ್ನು ಈ ರೂಪಕದಲ್ಲಿ ತಡವಿಲ್ಲದೆ ಜೋಡಿಸಲಾಗಿದೆ. ಈ ನೃತ್ಯ ರೂಪಕ ಉಡುಪಿಗೆ ಸಂಬಂಧಿಸಿದಂತೆ, ಇದು ವಿಸ್ತಾರವಾಗಿದೆ ಮತ್ತು ಶಾರೀರಿಕ ಬಲದ ಪ್ರಭಾವವನ್ನು ಹೆಚ್ಚಿಸಲು ವಿನ್ಯಾಸ ಮಾಡಲಾಗಿದೆ. ಹಿರಿದಾದ ಮೇಲಿನ ಹೊದಿಕೆಗಳು, ಸೀಳು ಕೊರಳುಪಟ್ಟಿಗಳು, ಹಿಗ್ಗಿದ ಸೂಟ್‌ಗಳು, ಪ್ರಾಚೀನ ಆಭರಣಗಳು, ಎದ್ದು ಕಾಣುವ ಶಿರವಸ್ತ್ರಗಳು ಜೊತೆ ಸೊಂಟದ ವರೆಗೆ ಓಲಾಡುವ ಮತ್ತು ಹಿಂದಿನಿಂದ ಸಂಪೂರ್ಣವಾಗಿ ಮುಚ್ಚಿಕೊಂಡಿರುವುದು ಚಿತ್ರವನ್ನು ದೊಡ್ಡದಾಗಿ ಮಾಡಿ ಕೆತ್ತಿರುವ ಮುಖ ಲಕ್ಷಣಕ್ಕೆ ಚೆನ್ನಾಗಿ ಹೊಂದಿಕೊಂಡು ಮತ್ತು ಅದ್ಭುತವಾದ ಆಕರ್ಷಣೀಯ ವ್ಯಕ್ತಿತ್ವವನ್ನು ರಚಿಸುತ್ತದೆ. ಪಾತ್ರಗಳು ಸಾತ್ವಿಕವಾಗಿದ್ದರೆ (ಸೂಕ್ತ ಪಾತ್ರ ಅಥವಾ ನಾಯಕ) ಮೂಲ ಮೇಕ್-ಅಪ್ ಹಸಿರಿನಲ್ಲಿರುತ್ತದೆ; ರಾಜಸಿಕದ ಪಾತ್ರವಾಗಿದ್ದರೆ (ಒಂದು ನಿರ್ದಿಷ್ಟ ದುರ್ಗುಣವುಳ್ಳ ಪಾತ್ರ ಅಥವಾ ವಿರುದ್ಧ ನಾಯಕ) ಮೂಲ ಮೇಕ್-ಅಪ್ ಬಿಳಿಯಾಗಿರುತ್ತದೆ. ಮತ್ತು ಪಾತ್ರವು ತಾಮಸಿಕವಾಗಿದ್ದರೆ (ಕೆಟ್ಟ ಪಾತ್ರ ಅಥವಾ ಖಳನಾಯಕ) ಮೂಲ ಮೇಕ್-ಅಪ್ ಹಸುರುಗಳ ನಡುವೆ ಕಂಪು ಮಚ್ಚೆಗಳು. ಮೂಲ ಹಸಿರು ಮೇಕ್-ಅಪ್‌ನಲ್ಲಿ ಸಹ ಒಂದು ಮೌಖಿಕ ಕಂಪು ಮತ್ತು ಬಿಳಿ ವಿನ್ಯಾಸಗಳನ್ನು ಮೂಗಿನ ಮೇಲೆ ಮತ್ತು ಮೇಲ್ಮೂಗಿನ ಮೇಲೆ ಮಾಡಲಾಗುತ್ತದೆ.

1930ರಲ್ಲಿ ಕತಕಲಿ ಕಲಾರೂಪವನ್ನು ಸಂರಕ್ಷಿಸಲು ಕೇರಳ ಕಲಾಮಂಡಲಮ್ ಅನ್ನು ಸ್ಥಾಪಿಸಿದ ಮುಖ್ಯ ಪಾರುಪತ್ಯಗಾರರ ಹೆಸರೇನು?

1. ವೇದಾಂತಂ ಲಕ್ಷ್ಮೀನಾರಾಯಣ
2. ಸಿಂತ ಕೃಷ್ಣಮೂರ್ತಿ
3. ವಲ್ಲತ್ತೋಲ್ ನಾರಾಯಣ ಮೆನನ್
4. ರುಕ್ಕಿಣಿ ದೇವಿ

**Options :**

485584137185. 1
485584137186. 2
485584137187. 3
485584137188. 4

**Question Number : 293 Question Id : 48558434298 Question Type : MCQ Option Shuffling : No Is Question Mandatory : No Calculator : None Response Time : N.A Think Time : N.A Minimum Instruction Time : 0**

**Correct Marks : 5 Wrong Marks : 1**

**Question Key Details :**

Key	Value
Comprehension	Comp1

Read the passage and answer the following questions given below:-

Kathakali is a classical dance form which originated in Kerala. Katha in Sanskrit means story and kali in Malayalam means play. So Kathakali is a play based on a story. Kathakali, like other classical dances of India, has its origins in Bharata Muni's Natyasastra. It is an art which has evolved from many social and religious theatrical art forms like Cakiarkottu, Kudiattam, Krsnattam, Ramattam which existed in the Southern region in ancient times. The main custodian of Kathakali is the famous poet Vallathol Narayana Menon who established Kerala Kalamandalam in 1930 for the preservation of this art form.

Kathakali, a stylised art form, is a blend of dance music and acting and dramatizes stories mostly adapted from the Indian epics. All the four aspects of abhinaya - angika, vacika, aharya, Sattrika and the three components of the dance - natya, nrta and nrtya are unified flawlessly in this form, As far as the costume of this dance form is concerned, it is elaborate and designed to heighten the effect of physical strength. The large overcoats, the flowing scarves, the bulging skirts, the antique ornaments, the strikingly opulent head dresses with streaming hair flowing down to the waist and covering the back all create enlarged figures well befitting the sculptured facial features and produce tremendously impressive impersonations. If the characters are Sattvika (a righteous character or hero), the basic make up is pacca (green); if the characters are rajsika (a character with particular vices or anti hero) the basic make up is cutti (white); and if the characters are tamsika (an evil character or villain), the basic green make up is broken up by red patches. Also, on the basic green make up, an oral red and white design is made on the nose and on the upper nose.

How many aspects of Abhinaya?

1. 2
2. 3
3. 4
4. 5

**Options :**

485584137189. 1  
485584137190. 2  
485584137191. 3  
485584137192. 4

**Question Number : 293 Question Id : 48558434298 Question Type : MCQ Option Shuffling : No Is Question Mandatory : No Calculator : None Response Time : N.A Think Time : N.A Minimum Instruction Time : 0**

**Correct Marks : 5 Wrong Marks : 1**

**Question Key Details :**

Key	Value
Comprehension	Comp1

ವಾಕ್ಯಪುಂಜವನ್ನು ಓದಿ ಮತ್ತು ಕೆಳಗೆ ನೀಡಿರುವ ಪ್ರಶ್ನೆಗಳಿಗೆ ಉತ್ತರಿಸಿ.

ಕತಕಲಿಯು ಒಂದು ಶಾಸ್ತ್ರೀಯ ನೃತ್ಯ ರೂಪಕವಾಗಿದ್ದು, ಅದು ಕೇರಳದಿಂದ ಉಗಮವಾಗಿದೆ. ಸಂಸ್ಕೃತದಲ್ಲಿ ಕತ ಎಂದರೆ ಕತೆ ಮತ್ತು ಕಲಿ ಮಲಯಾಳಂನಲ್ಲಿ ನಾಟಕ ಎಂತರ್ಥ. ಆದ್ದರಿಂದ ಕಥಕಲಿಯು ಒಂದು ಕಥೆಯಾಧಾರಿತ ನಾಟಕ. ಇತರ ಭಾರತೀಯ ಶಾಸ್ತ್ರೀಯ ನೃತ್ಯಗಳ ಹಾಗೆಯೇ ಕತಕಲಿಯು ಭರತಮುನಿಯ ನ್ಯಾಯಶಾಸ್ತ್ರದಲ್ಲಿ ಮೂಲಗಳನ್ನು ಹೊಂದಿದೆ. ಇದೊಂದು ಕಲೆಯಾಗಿದ್ದು, ಪ್ರಾಚೀನ ಕಾಲದಲ್ಲಿ ದಕ್ಷಿಣ ಪ್ರದೇಶಗಳಲ್ಲಿ ಅಸ್ತಿತ್ವದಲ್ಲಿದ್ದ ಹಲವು ಸಾಮಾಜಿಕ ಮತ್ತು ಧಾರ್ಮಿಕ ರಂಗಭೂಮಿ ಕಲೆಗಳಾದ ಕಾಕಿಯಾಕೊಟ್ಟು, ಕುಡಿಯಾಟ್ಟು, ಕೃಷ್ಣಾಟ್ಟು, ಕಾಮಾಟ್ಟುಮಗಳಿಂದ ವಿಕಸಿತವಾಗಿದೆ. 1930ರಲ್ಲಿ ಈ ಕಲಾರೂಪಕವನ್ನು ಸಂರಕ್ಷಿಸಲು ಕೇರಳ ಕಲಾಮಂಡಲಮ್ ಅನ್ನು ಸ್ಥಾಪಿಸಿದ ಸುಪ್ರಸಿದ್ಧ ಕವಿ ವಲ್ಲತ್ತೋಲ್ ನಾರಾಯಣ ಮೆನನ್ ಕತಕಲಿಯ ಮುಖ್ಯ ಪಾರುಪತ್ಯಗಾರರು.

ಕತಕಲಿಯು ನೃತ್ಯ ಸಂಗೀತ ಮತ್ತು ನಟನೆ ಮತ್ತು ಬಹುಶಃ ಭಾರತೀಯ ಗ್ರಂಥಗಳಿಂದ ಅಳವಡಿಸಿಕೊಂಡು ನಾಟಕ ಕತೆಗಳ ಒಂದು ಮಿಶ್ರಣಗೊಂಡ ಒಂದು ಶೈಲಿಯ ರೂಪಕ. ಅಭಿನಯದ ಎಲ್ಲಾ ನಾಲ್ಕು ಅಂಶಗಳಾದ - ಆಂಗಿಕ, ವಾಚಿಕ, ಆಹಾರ್ಯ, ನಾತ್ವಿಕ ಮತ್ತು ನೃತ್ಯ ಮೂರು ಭಾಗಗಳಾದ - ನಾಟ್ಯ, ನರ್ತ ಮತ್ತು ನೃತ್ಯಗಳನ್ನು ಈ ರೂಪಕದಲ್ಲಿ ತಡವಿಲ್ಲದೆ ಜೋಡಿಸಲಾಗಿದೆ. ಈ ನೃತ್ಯ ರೂಪಕ ಉಡುಪಿಗೆ ಸಂಬಂಧಿಸಿದಂತೆ, ಇದು ವಿಸ್ತಾರವಾಗಿದೆ ಮತ್ತು ಶಾರೀರಿಕ ಬಲದ ಪ್ರಭಾವವನ್ನು ಹೆಚ್ಚಿಸಲು ವಿನ್ಯಾಸ ಮಾಡಲಾಗಿದೆ. ಹಿರಿದಾದ ಮೇಲಿನ ಹೊದಿಕೆಗಳು, ಸೀಳು ಕೊರಳುಪಟ್ಟಿಗಳು, ಹಿಗ್ಗಿದ ಸೂಟ್‌ಗಳು, ಪ್ರಾಚೀನ ಆಭರಣಗಳು, ಎದ್ದು ಕಾಣುವ ಶಿರವಸ್ತ್ರಗಳು ಜೊತೆ ಸೊಂಟದ ವರೆಗೆ ಓಲಾಡುವ ಮತ್ತು ಹಿಂದಿನಿಂದ ಸಂಪೂರ್ಣವಾಗಿ ಮುಚ್ಚಿಕೊಂಡಿರುವುದು ಚಿತ್ರವನ್ನು ದೊಡ್ಡದಾಗಿ ಮಾಡಿ ಕೆತ್ತಿರುವ ಮುಖ ಲಕ್ಷಣಕ್ಕೆ ಚೆನ್ನಾಗಿ ಹೊಂದಿಕೊಂಡು ಮತ್ತು ಅದ್ಭುತವಾದ ಆಕರ್ಷಣೀಯ ವ್ಯಕ್ತಿತ್ವವನ್ನು ರಚಿಸುತ್ತದೆ. ಪಾತ್ರಗಳು ಸಾತ್ವಿಕವಾಗಿದ್ದರೆ (ಸೂಕ್ತ ಪಾತ್ರ ಅಥವಾ ನಾಯಕ) ಮೂಲ ಮೇಕ್-ಅಪ್ ಹಸಿರಿನಲ್ಲಿರುತ್ತದೆ; ರಾಜಸಿಕದ ಪಾತ್ರವಾಗಿದ್ದರೆ (ಒಂದು ನಿರ್ದಿಷ್ಟ ದುರ್ಗುಣವುಳ್ಳ ಪಾತ್ರ ಅಥವಾ ವಿರುದ್ಧ ನಾಯಕ) ಮೂಲ ಮೇಕ್-ಅಪ್ ಬಿಳಿಯಾಗಿರುತ್ತದೆ. ಮತ್ತು ಪಾತ್ರವು ತಾಮಸಿಕವಾಗಿದ್ದರೆ (ಕೆಟ್ಟ ಪಾತ್ರ ಅಥವಾ ಖಳನಾಯಕ) ಮೂಲ ಮೇಕ್-ಅಪ್ ಹಸುರುಗಳ ನಡುವೆ ಕಂಪು ಮಚ್ಚೆಗಳು. ಮೂಲ ಹಸಿರು ಮೇಕ್-ಅಪ್‌ನಲ್ಲಿ ಸಹ ಒಂದು ಮೌಖಿಕ ಕಂಪು ಮತ್ತು ಬಿಳಿ ವಿನ್ಯಾಸಗಳನ್ನು ಮೂಗಿನ ಮೇಲೆ ಮತ್ತು ಮೇಲ್ಮೂಗಿನ ಮೇಲೆ ಮಾಡಲಾಗುತ್ತದೆ.

ಅಭಿನಯದಲ್ಲಿ ಎಷ್ಟು ಅಂಶಗಳಿವೆ?

1. 2

2. 3

3. 4

4. 5

**Options :**

485584137189. 1

485584137190. 2

485584137191. 3

485584137192. 4

**Question Number : 294 Question Id : 48558434299 Question Type : MCQ Option Shuffling : No Is Question Mandatory : No Calculator : None Response Time : N.A Think Time : N.A Minimum Instruction Time : 0**

**Correct Marks : 5 Wrong Marks : 1**

**Question Key Details :**

Key	Value
Comprehension	Compl

Read the passage and answer the following questions given below:-

Kathakali is a classical dance form which originated in Kerala. Katha in Sanskrit means story and kali in Malayalam means play. So Kathakali is a play based on a story. Kathakali, like other classical dances of India, has its origins in Bharata Muni's Natyasastra. It is an art which has evolved from many social and religious theatrical art forms like Cakiarkottu, Kudiattam, Krsnattam, Ramattam which existed in the Southern region in ancient times. The main custodian of Kathakali is the famous poet Vallathol Narayana Menon who established Kerala Kalamandalam in 1930 for the preservation of this art form.

Kathakali, a stylised art form, is a blend of dance music and acting and dramatizes stories mostly adapted from the Indian epics. All the four aspects of abhinaya - angika, vacika, aharya, Sattrika and the three components of the dance - natya, nrta and nrtya are unified flawlessly in this form. As far as the costume of this dance form is concerned, it is elaborate and designed to heighten the effect of physical strength. The large overcoats, the flowing scarves, the bulging skirts, the antique ornaments, the strikingly opulent head dresses with streaming hair flowing down to the waist and covering the back all create enlarged figures well befitting the sculptured facial features and produce tremendously impressive impersonations. If the characters are Sattvika (a righteous character or hero), the basic make up is pacca (green); if the characters are rajsika (a character with particular vices or anti hero) the basic make up is cutti (white); and if the characters are tamsika (an evil character or villain), the basic green make up is broken up by red patches. Also, on the basic green make up, an oral red and white design is made on the nose and on the upper nose.

Which of the following is not the component of dance?

1. natya
2. vacika
3. nrta
4. nrtya

**Options :**

485584137193. 1  
485584137194. 2  
485584137195. 3  
485584137196. 4

**Question Number : 294 Question Id : 48558434299 Question Type : MCQ Option Shuffling : No Is Question Mandatory : No Calculator : None Response Time : N.A Think Time : N.A Minimum Instruction Time : 0**

**Correct Marks : 5 Wrong Marks : 1**

**Question Key Details :**

Key	Value
Comprehension	Comp1

ವಾಕ್ಯಪುಂಜವನ್ನು ಓದಿ ಮತ್ತು ಕೆಳಗೆ ನೀಡಿರುವ ಪ್ರಶ್ನೆಗಳಿಗೆ ಉತ್ತರಿಸಿ.

ಕತಕಲಿಯು ಒಂದು ಶಾಸ್ತ್ರೀಯ ನೃತ್ಯ ರೂಪಕವಾಗಿದ್ದು, ಅದು ಕೇರಳದಿಂದ ಉಗಮವಾಗಿದೆ. ಸಂಸ್ಕೃತದಲ್ಲಿ ಕತ ಎಂದರೆ ಕತೆ ಮತ್ತು ಕಲಿ ಮಲಯಾಳಂನಲ್ಲಿ ನಾಟಕ ಎಂತರ್ಥ. ಆದ್ದರಿಂದ ಕಥಕಲಿಯು ಒಂದು ಕಥೆಯಾಧಾರಿತ ನಾಟಕ. ಇತರ ಭಾರತೀಯ ಶಾಸ್ತ್ರೀಯ ನೃತ್ಯಗಳ ಹಾಗೆಯೇ ಕತಕಲಿಯು ಭರತಮುನಿಯ ನ್ಯಾಯಶಾಸ್ತ್ರದಲ್ಲಿ ಮೂಲಗಳನ್ನು ಹೊಂದಿದೆ. ಇದೊಂದು ಕಲೆಯಾಗಿದ್ದು, ಪ್ರಾಚೀನ ಕಾಲದಲ್ಲಿ ದಕ್ಷಿಣ ಪ್ರದೇಶಗಳಲ್ಲಿ ಅಸ್ತಿತ್ವದಲ್ಲಿದ್ದ ಹಲವು ಸಾಮಾಜಿಕ ಮತ್ತು ಧಾರ್ಮಿಕ ರಂಗಭೂಮಿ ಕಲೆಗಳಾದ ಕಾಕಿಯಾಕೊಟ್ಟು, ಕುಡಿಯಾಟ್ಟು, ಕೃಷ್ಣಾಟ್ಟು, ಕಾಮಾಟ್ಟುಮಗಳಿಂದ ವಿಕಸಿತವಾಗಿದೆ. 1930ರಲ್ಲಿ ಈ ಕಲಾರೂಪಕವನ್ನು ಸಂರಕ್ಷಿಸಲು ಕೇರಳ ಕಲಾಮಂಡಲಮ್ ಅನ್ನು ಸ್ಥಾಪಿಸಿದ ಸುಪ್ರಸಿದ್ಧ ಕವಿ ವಲ್ಲತ್ತೋಲ್ ನಾರಾಯಣ ಮೆನನ್ ಕತಕಲಿಯ ಮುಖ್ಯ ಪಾರುಪತ್ಯಗಾರರು.

ಕತಕಲಿಯು ನೃತ್ಯ ಸಂಗೀತ ಮತ್ತು ನಟನೆ ಮತ್ತು ಬಹುಶಃ ಭಾರತೀಯ ಗ್ರಂಥಗಳಿಂದ ಅಳವಡಿಸಿಕೊಂಡು ನಾಟಕ ಕತೆಗಳ ಒಂದು ಮಿಶ್ರಣಗೊಂಡ ಒಂದು ಶೈಲಿಯ ರೂಪಕ. ಅಭಿನಯದ ಎಲ್ಲಾ ನಾಲ್ಕು ಅಂಶಗಳಾದ - ಆಂಗಿಕ, ವಾಚಿಕ, ಆಹಾರ್ಯ, ನಾತ್ವಿಕ ಮತ್ತು ನೃತ್ಯ ಮೂರು ಭಾಗಗಳಾದ - ನಾಟ್ಯ, ನರ್ತ ಮತ್ತು ನೃತ್ಯಗಳನ್ನು ಈ ರೂಪಕದಲ್ಲಿ ತಡವಿಲ್ಲದೆ ಜೋಡಿಸಲಾಗಿದೆ. ಈ ನೃತ್ಯ ರೂಪಕ ಉಡುಪಿಗೆ ಸಂಬಂಧಿಸಿದಂತೆ, ಇದು ವಿಸ್ತಾರವಾಗಿದೆ ಮತ್ತು ಶಾರೀರಿಕ ಬಲದ ಪ್ರಭಾವವನ್ನು ಹೆಚ್ಚಿಸಲು ವಿನ್ಯಾಸ ಮಾಡಲಾಗಿದೆ. ಹಿರಿದಾದ ಮೇಲಿನ ಹೊದಿಕೆಗಳು, ಸೀಳು ಕೊರಳುಪಟ್ಟಿಗಳು, ಹಿಗ್ಗಿದ ಸೂಟ್‌ಗಳು, ಪ್ರಾಚೀನ ಆಭರಣಗಳು, ಎದ್ದು ಕಾಣುವ ಶಿರವಸ್ತ್ರಗಳು ಜೊತೆ ಸೊಂಟದ ವರೆಗೆ ಓಲಾಡುವ ಮತ್ತು ಹಿಂದಿನಿಂದ ಸಂಪೂರ್ಣವಾಗಿ ಮುಚ್ಚಿಕೊಂಡಿರುವುದು ಚಿತ್ರವನ್ನು ದೊಡ್ಡದಾಗಿ ಮಾಡಿ ಕೆತ್ತಿರುವ ಮುಖ ಲಕ್ಷಣಕ್ಕೆ ಚೆನ್ನಾಗಿ ಹೊಂದಿಕೊಂಡು ಮತ್ತು ಅದ್ಭುತವಾದ ಆಕರ್ಷಣೀಯ ವ್ಯಕ್ತಿತ್ವವನ್ನು ರಚಿಸುತ್ತದೆ. ಪಾತ್ರಗಳು ಸಾತ್ವಿಕವಾಗಿದ್ದರೆ (ಸೂಕ್ತ ಪಾತ್ರ ಅಥವಾ ನಾಯಕ) ಮೂಲ ಮೇಕ್-ಅಪ್ ಹಸಿರಿನಲ್ಲಿರುತ್ತದೆ; ರಾಜಸಿಕದ ಪಾತ್ರವಾಗಿದ್ದರೆ (ಒಂದು ನಿರ್ದಿಷ್ಟ ದುರ್ಗುಣವುಳ್ಳ ಪಾತ್ರ ಅಥವಾ ವಿರುದ್ಧ ನಾಯಕ) ಮೂಲ ಮೇಕ್-ಅಪ್ ಬಿಳಿಯಾಗಿರುತ್ತದೆ. ಮತ್ತು ಪಾತ್ರವು ತಾಮಸಿಕವಾಗಿದ್ದರೆ (ಕೆಟ್ಟ ಪಾತ್ರ ಅಥವಾ ಖಳನಾಯಕ) ಮೂಲ ಮೇಕ್-ಅಪ್ ಹಸುರುಗಳ ನಡುವೆ ಕಂಪು ಮಚ್ಚೆಗಳು. ಮೂಲ ಹಸಿರು ಮೇಕ್-ಅಪ್‌ನಲ್ಲಿ ಸಹ ಒಂದು ಮೌಖಿಕ ಕಂಪು ಮತ್ತು ಬಿಳಿ ವಿನ್ಯಾಸಗಳನ್ನು ಮೂಗಿನ ಮೇಲೆ ಮತ್ತು ಮೇಲ್ಮೂಗಿನ ಮೇಲೆ ಮಾಡಲಾಗುತ್ತದೆ.

ಕೆಳಗಿನವುಗಳಲ್ಲಿ ಯಾವುದು ನೃತ್ಯದ ಪ್ರಕಾರವಲ್ಲ?

1. ನಾಟ್ಯ
2. ವಾಚಿಕ
3. ನರ್ತ
4. ನೃತ್ಯ

**Options :**

485584137193. 1  
485584137194. 2  
485584137195. 3  
485584137196. 4

**Question Number : 295 Question Id : 48558434300 Question Type : MCQ Option Shuffling : No Is Question Mandatory : No Calculator : None Response Time : N.A Think Time : N.A Minimum Instruction Time : 0**

**Correct Marks : 5 Wrong Marks : 1**

**Question Key Details :**

Key	Value
Comprehension	Comp1



Read the passage and answer the following questions given below:-

Kathakali is a classical dance form which originated in Kerala. Katha in Sanskrit means story and kali in Malayalam means play. So Kathakali is a play based on a story. Kathakali, like other classical dances of India, has its origins in Bharata Muni's Natyasastra. It is an art which has evolved from many social and religious theatrical art forms like Cakiarkottu, Kudiattam, Krsnattam, Ramattam which existed in the Southern region in ancient times. The main custodian of Kathakali is the famous poet Vallathol Narayana Menon who established Kerala Kalamandalam in 1930 for the preservation of this art form.

Kathakali, a stylised art form, is a blend of dance music and acting and dramatizes stories mostly adapted from the Indian epics. All the four aspects of abhinaya - angika, vacika, aharya, Sattrika and the three components of the dance - natya, nrta and nrtya are unified flawlessly in this form, As far as the costume of this dance form is concerned, it is elaborate and designed to heighten the effect of physical strength. The large overcoats, the flowing scarves, the bulging skirts, the antique ornaments, the strikingly opulent head dresses with streaming hair flowing down to the waist and covering the back all create enlarged figures well befitting the sculptured facial features and produce tremendously impressive impersonations. If the characters are Sattvika (a righteous character or hero), the basic make up is pacca (green); if the characters are rajsika (a character with particular vices or anti hero) the basic make up is cutti (white); and if the characters are tamsika (an evil character or villain), the basic green make up is broken up by red patches. Also, on the basic green make up, an oral red and white design is made on the nose and on the upper nose.

In Kathakali dance form, Basic make up colour changes according to character. If the characters are rajsika, what will be the basic colour makeup

1. Green
2. White
3. Green with red patches
4. White with red patches

**Options :**

485584137197. 1

485584137198. 2

485584137199. 3

485584137200. 4

**Question Number : 295 Question Id : 48558434300 Question Type : MCQ Option Shuffling : No Is Question Mandatory : No Calculator : None Response Time : N.A Think Time : N.A Minimum Instruction Time : 0**

**Correct Marks : 5 Wrong Marks : 1**

**Question Key Details :**

Key	Value
Comprehension	Comp1

ವಾಕ್ಯಪುಂಜವನ್ನು ಓದಿ ಮತ್ತು ಕೆಳಗೆ ನೀಡಿರುವ ಪ್ರಶ್ನೆಗಳಿಗೆ ಉತ್ತರಿಸಿ.

ಕತಕಲಿಯು ಒಂದು ಶಾಸ್ತ್ರೀಯ ನೃತ್ಯ ರೂಪಕವಾಗಿದ್ದು, ಅದು ಕೇರಳದಿಂದ ಉಗಮವಾಗಿದೆ. ಸಂಸ್ಕೃತದಲ್ಲಿ ಕತ ಎಂದರೆ ಕತೆ ಮತ್ತು ಕಲಿ ಮಲಯಾಳಂನಲ್ಲಿ ನಾಟಕ ಎಂತರ್ಥ. ಆದ್ದರಿಂದ ಕಥಕಲಿಯು ಒಂದು ಕಥೆಯಾಧಾರಿತ ನಾಟಕ. ಇತರ ಭಾರತೀಯ ಶಾಸ್ತ್ರೀಯ ನೃತ್ಯಗಳ ಹಾಗೆಯೇ ಕತಕಲಿಯು ಭರತಮುನಿಯ ನ್ಯಾಯಶಾಸ್ತ್ರದಲ್ಲಿ ಮೂಲಗಳನ್ನು ಹೊಂದಿದೆ. ಇದೊಂದು ಕಲೆಯಾಗಿದ್ದು, ಪ್ರಾಚೀನ ಕಾಲದಲ್ಲಿ ದಕ್ಷಿಣ ಪ್ರದೇಶಗಳಲ್ಲಿ ಅಸ್ತಿತ್ವದಲ್ಲಿದ್ದ ಹಲವು ಸಾಮಾಜಿಕ ಮತ್ತು ಧಾರ್ಮಿಕ ರಂಗಭೂಮಿ ಕಲೆಗಳಾದ ಕಾಕಿಯಾಕೊಟ್ಟು, ಕುಡಿಯಾಟ್ಟು, ಕೃಷ್ಣಾಟ್ಟು, ಕಾಮಾಟ್ಟುಮಗಳಿಂದ ವಿಕಸಿತವಾಗಿದೆ. 1930ರಲ್ಲಿ ಈ ಕಲಾರೂಪಕವನ್ನು ಸಂರಕ್ಷಿಸಲು ಕೇರಳ ಕಲಾಮಂಡಲಮ್ ಅನ್ನು ಸ್ಥಾಪಿಸಿದ ಸುಪ್ರಸಿದ್ಧ ಕವಿ ವಲ್ಲತ್ತೋಲ್ ನಾರಾಯಣ ಮೆನನ್ ಕತಕಲಿಯ ಮುಖ್ಯ ಪಾರುಪತ್ಯಗಾರರು.

ಕತಕಲಿಯು ನೃತ್ಯ ಸಂಗೀತ ಮತ್ತು ನಟನೆ ಮತ್ತು ಬಹುಶಃ ಭಾರತೀಯ ಗ್ರಂಥಗಳಿಂದ ಅಳವಡಿಸಿಕೊಂಡು ನಾಟಕ ಕತೆಗಳ ಒಂದು ಮಿಶ್ರಣಗೊಂಡ ಒಂದು ಶೈಲಿಯ ರೂಪಕ. ಅಭಿನಯದ ಎಲ್ಲಾ ನಾಲ್ಕು ಅಂಶಗಳಾದ - ಆಂಗಿಕ, ವಾಚಿಕ, ಆಹಾರ್ಯ, ನಾತ್ವಿಕ ಮತ್ತು ನೃತ್ಯ ಮೂರು ಭಾಗಗಳಾದ - ನಾಟ್ಯ, ನರ್ತ ಮತ್ತು ನೃತ್ಯಗಳನ್ನು ಈ ರೂಪಕದಲ್ಲಿ ತಡವಿಲ್ಲದೆ ಜೋಡಿಸಲಾಗಿದೆ. ಈ ನೃತ್ಯ ರೂಪಕ ಉಡುಪಿಗೆ ಸಂಬಂಧಿಸಿದಂತೆ, ಇದು ವಿಸ್ತಾರವಾಗಿದೆ ಮತ್ತು ಶಾರೀರಿಕ ಬಲದ ಪ್ರಭಾವವನ್ನು ಹೆಚ್ಚಿಸಲು ವಿನ್ಯಾಸ ಮಾಡಲಾಗಿದೆ. ಹಿರಿದಾದ ಮೇಲಿನ ಹೊದಿಕೆಗಳು, ಸೀಳು ಕೊರಳುಪಟ್ಟಿಗಳು, ಹಿಗ್ಗಿದ ಸೂಟ್‌ಗಳು, ಪ್ರಾಚೀನ ಆಭರಣಗಳು, ಎದ್ದು ಕಾಣುವ ಶಿರವಸ್ತ್ರಗಳು ಜೊತೆ ಸೊಂಟದ ವರೆಗೆ ಓಲಾಡುವ ಮತ್ತು ಹಿಂದಿನಿಂದ ಸಂಪೂರ್ಣವಾಗಿ ಮುಚ್ಚಿಕೊಂಡಿರುವುದು ಚಿತ್ರವನ್ನು ದೊಡ್ಡದಾಗಿ ಮಾಡಿ ಕೆತ್ತಿರುವ ಮುಖ ಲಕ್ಷಣಕ್ಕೆ ಚೆನ್ನಾಗಿ ಹೊಂದಿಕೊಂಡು ಮತ್ತು ಅದ್ಭುತವಾದ ಆಕರ್ಷಣೀಯ ವ್ಯಕ್ತಿತ್ವವನ್ನು ರಚಿಸುತ್ತದೆ. ಪಾತ್ರಗಳು ಸಾತ್ವಿಕವಾಗಿದ್ದರೆ (ಸೂಕ್ತ ಪಾತ್ರ ಅಥವಾ ನಾಯಕ) ಮೂಲ ಮೇಕ್-ಅಪ್ ಹಸಿರಿನಲ್ಲಿರುತ್ತದೆ; ರಾಜಸಿಕದ ಪಾತ್ರವಾಗಿದ್ದರೆ (ಒಂದು ನಿರ್ದಿಷ್ಟ ದುರ್ಗುಣವುಳ್ಳ ಪಾತ್ರ ಅಥವಾ ವಿರುದ್ಧ ನಾಯಕ) ಮೂಲ ಮೇಕ್-ಅಪ್ ಬಿಳಿಯಾಗಿರುತ್ತದೆ. ಮತ್ತು ಪಾತ್ರವು ತಾಮಸಿಕವಾಗಿದ್ದರೆ (ಕೆಟ್ಟ ಪಾತ್ರ ಅಥವಾ ಖಳನಾಯಕ) ಮೂಲ ಮೇಕ್-ಅಪ್ ಹಸುರುಗಳ ನಡುವೆ ಕೆಂಪು ಮಚ್ಚೆಗಳು. ಮೂಲ ಹಸಿರು ಮೇಕ್-ಅಪ್‌ನಲ್ಲಿ ಸಹ ಒಂದು ಮೌಖಿಕ ಕೆಂಪು ಮತ್ತು ಬಿಳಿ ವಿನ್ಯಾಸಗಳನ್ನು ಮೂಗಿನ ಮೇಲೆ ಮತ್ತು ಮೇಲ್ಮೂಗಿನ ಮೇಲೆ ಮಾಡಲಾಗುತ್ತದೆ.

ಕತಕಲಿ ನೃತ್ಯರೂಪಕದಲ್ಲಿ ಮೂಲ ಮೇಕ್-ಅಪ್ ಬಣ್ಣ ಪಾತ್ರದ ಪ್ರಕಾರ ಬದಲಾಗುತ್ತದೆ. ಪಾತ್ರವು ರಾಜಸಿಕವಾಗಿದ್ದರೆ ಮೂಲ ಮೇಕ್‌ಅಪ್-ಬಣ್ಣವೇನು?

1. ಹಸಿರು
2. ಬಿಳಿ
3. ಹಸಿರಿನ ಜೊತೆ ಕೆಂಪು ಮಚ್ಚೆಗಳು
4. ಬಿಳಿಯ ಜೊತೆ ಕೆಂಪು ಮಚ್ಚೆಗಳು

**Options :**

485584137197. 1
485584137198. 2
485584137199. 3
485584137200. 4

**Sub-Section Number :**

3

**Sub-Section Id :**

4855842544

**Question Shuffling Allowed :**

No

**Is Section Default? :**

null

**Question Number : 296 Question Id : 48558434301 Question Type : MCQ Option Shuffling : No Is Question Mandatory : No Calculator : None Response Time : N.A Think Time : N.A Minimum Instruction Time : 0**

**Correct Marks : 5 Wrong Marks : 1**



**Question Key Details :**

Key	Value
Comprehension	Comp2

Read the following passage and answer the questions given below:

The moral code of the people is an indicator of their social and spiritual ways of life. The true essence of human life is to live amidst worldly joy and sorrows, Ethics is primarily concerned with the moral issues of the world. True religion lays stress on moral virtues. People are required to discharge their duties according to the moral code of ethics. A true knowledge of ethics would be attained if one practices and imbibes these moral values. Ethics is of two kinds individual and social. Individual ethics is indicative of the good qualities that are essential for individual well-being of the good qualities that are essential for individual well-being and happiness. Social ethics represents the values that are needed for social order and harmony.

In the knowledge tradition of India ethics has its origin in its religious and philosophical thinking. From time immemorial, various religious faiths have flourished here. Every religious and every philosophical system of India has a prominent ethical component. Ethics is the core of all these systems. In every religious tradition, good moral conduct is considered essential for a happy and contented life.

Choose from the following that is not the purpose of the moral code of ethics.

1. To perform duties in the society
2. To live a balanced life between joy and sorrow
3. To live a peaceful life
4. To keep a strict discipline

**Options :**

485584137201. 1  
485584137202. 2  
485584137203. 3  
485584137204. 4

**Question Number : 296 Question Id : 48558434301 Question Type : MCQ Option Shuffling : No Is Question Mandatory : No Calculator : None Response Time : N.A Think Time : N.A Minimum Instruction Time : 0**

**Correct Marks : 5 Wrong Marks : 1**

**Question Key Details :**

Key	Value
Comprehension	Comp2

ಕೆಳಗಿನ ವಾಕ್ಯಪುಂಜವನ್ನು ಓದಿ ಮತ್ತು ಕೆಳಗೆ ನೀಡಿರುವ ಪ್ರಶ್ನೆಗಳಿಗೆ ಉತ್ತರಿಸಿ.  
ಜನರ ನೈತಿಕ ನಿಯಮಗಳು ಅವರ ಸಾಮಾಜಿಕ ಮತ್ತು ಆಧ್ಯಾತ್ಮಿಕ ಜೀವನ ಶೈಲಿಯ ಒಂದು ಸೂಚಕಗಳು.  
ಮಾವನ ಜೀವನದ ನಿಜವಾದ ಸಾರಾಂಶವೆಂದರೆ ಭೌತಿಕ ಸಂತೋಷ ಮತ್ತು ದುಃಖಗಳ ನಡುವೆ ಜೀವನ  
ನಡೆಸುವುದು. ನೀತಿ ತತ್ವಗಳು ಮೂಲತಃವಾಗಿ ಸಂಬಂಧಿಸಿರುವುದು ವಿಶ್ವದ ನೈತಿಕ ವಿಷಯಗಳಿಗೆ. ನಿಜವಾದ  
ಧರ್ಮವು ನೈತಿಕ ಗುಣಗಳಿಗೆ ಒತ್ತನ್ನು ನೀಡುತ್ತದೆ. ಜನರು ತಮ್ಮ ಕರ್ತವ್ಯವನ್ನು ನೈತಿಕ ನಿಯಮಗಳ ಪ್ರಕಾರ  
ಮಾಡಬೇಕು. ನೀತಿ ತತ್ವಗಳ ಒಂದು ನಿಜವಾದ ಜ್ಞಾನವನ್ನು ತಲುಪಬೇಕಾದರೆ ಒಬ್ಬರು ಈ ನೈತಿಕ  
ಮೌಲ್ಯಗಳನ್ನು ಆಚರಿಸಿ ಮತ್ತು ಮೈಗೂಡಿಸಿಕೊಳ್ಳಬೇಕು. ನೀತಿತತ್ವಗಳಲ್ಲಿ ಎರಡು ವಿಧಗಳು - ವೈಯಕ್ತಿಕ  
ಮತ್ತು ಸಾಮಾಜಿಕ. ವೈಯಕ್ತಿಕ ನೀತಿ ತತ್ವಗಳು ಸೂಚಿಸುವುದೇನೆಂದರೆ, ಒಬ್ಬರ ಸಮೃದ್ಧಿಗೆ ಮತ್ತು  
ಸಂತೋಷಕ್ಕೆ ಬೇಕಾಗುವ ಉತ್ತಮ ಗುಣಗಳು. ಸಾಮಾಜಿಕ ನೀತಿತತ್ವಗಳು ಪ್ರತಿನಿಧಿಸುವುದು ಏನೆಂದರೆ  
ಸಾಮಾಜಿಕ ಕ್ರಮ ಮತ್ತು ಸೌಹಾರ್ದತೆಗೆ ಅಗತ್ಯವಿರುವ ಮೌಲ್ಯಗಳು.  
ಭಾರತೀಯ ಜ್ಞಾನ ಸಂಪ್ರದಾಯದಲ್ಲಿ ನೀತಿತತ್ವಗಳು ಮತ್ತು ಧಾರ್ಮಿಕ ಮತ್ತು ತಾತ್ವಿಕ  
ಆಲೋಚನೆಗಳೊಂದಿಗೆ ಮೂಲವನ್ನು ಹೊಂದಿದೆ. ಪ್ರಾಚೀನ ಕಾಲದಿಂದಲೂ ಹಲವು ಧಾರ್ಮಿಕ  
ನಂಬಿಕೆಗಳು ಇಲ್ಲಿ ಸಮೃದ್ಧಗೊಂಡಿವೆ. ಪ್ರತಿಯೊಂದು ಭಾರತೀಯ ಧಾರ್ಮಿಕ ಮತ್ತು ತಾತ್ವಿಕ ಪದ್ಧತಿಗಳು  
ಒಂದು ಪ್ರಮುಖ ನೈತಿಕ ಅಂಶಗಳನ್ನು ಹೊಂದಿದೆ. ಈ ಎಲ್ಲಾ ಪದ್ಧತಿಗಳಿಗೆ ನೀತಿತತ್ವಗಳ ತಿರುಳಾಗಿದೆ.  
ಪ್ರತಿಯೊಂದು ಧಾರ್ಮಿಕ ಸಂಪ್ರದಾಯದಲ್ಲಿ, ಒಳ್ಳೆಯ ನೈತಿಕ ನಡವಳಿಕೆಯು ಸಂತೋಷ ಮತ್ತು ತೃಪ್ತ  
ಜೀವನಕ್ಕೆ ಅಗತ್ಯವಾಗಿದೆ ಎಂದು ಪರಿಗಣಿಸಲಾಗಿದೆ.

ಕೆಳಗಿನವುಗಳಿಂದ ನೀತಿತತ್ವಗಳ ನೈತಿಕ ನಿಯಮದ ಉದ್ದೇಶವಲ್ಲದ್ದನ್ನು ಆರಿಸಿ.

1. ಸಮಾಜದಲ್ಲಿ ಕಾರ್ಯಗಳನ್ನು ಮಾಡಲು
2. ಸಂತೋಷ ಮತ್ತು ದುಃಖದೊಂದಿಗೆ ಸಮತೋಲಿತ ಜೀವನ ನಡೆಸಲು
3. ಶಾಂತಿಯುತ ಜೀವನ ನಡೆಸಲು
4. ಕಠಿಣ ಶಿಸ್ತನ್ನು ಕಾಪಾಡಲು

**Options :**

485584137201. 1  
485584137202. 2  
485584137203. 3  
485584137204. 4

**Question Number : 297 Question Id : 48558434302 Question Type : MCQ Option Shuffling : No Is Question Mandatory : No Calculator : None Response Time : N.A Think Time : N.A Minimum Instruction Time : 0**

**Correct Marks : 5 Wrong Marks : 1**

**Question Key Details :**

Key	Value
Comprehension	Comp2

Read the following passage and answer the questions given below:

The moral code of the people is an indicator of their social and spiritual ways of life. The true essence of human life is to live amidst worldly joy and sorrows, Ethics is primarily concerned with the moral issues of the world. True religion lays stress on moral virtues. People are required to discharge their duties according to the moral code of ethics. A true knowledge of ethics would be attained if one practices and imbibes these moral values. Ethics is of two kinds individuals and social. Individual ethics is indicative of the good qualities that are essential for individual well-being of the good qualities that are essential for individual well-being and happiness. Social ethics represents the values that are needed for social order and harmony.

In the knowledge tradition of India ethics has its origin in its religious and philosophical thinking. From time immemorial, various religious faiths have flourished here. Every religious and every philosophical system of India has a prominent ethical component. Ethics is the core of all these systems. In every religious tradition, good moral conduct is considered essential for a happy and contented life.

What are the two major types of Ethics?

1. Religious and Philosophical
2. Individual and Social
3. Opened and Closed
4. Hard and Soft

**Options :**

- 485584137205. 1
- 485584137206. 2
- 485584137207. 3
- 485584137208. 4

**Question Number : 297 Question Id : 48558434302 Question Type : MCQ Option Shuffling : No Is Question Mandatory : No Calculator : None Response Time : N.A Think Time : N.A Minimum Instruction Time : 0**

**Correct Marks : 5 Wrong Marks : 1**

**Question Key Details :**

Key	Value
Comprehension	Comp2

ಕೆಳಗಿನ ವಾಕ್ಯಪುಂಜವನ್ನು ಓದಿ ಮತ್ತು ಕೆಳಗೆ ನೀಡಿರುವ ಪ್ರಶ್ನೆಗಳಿಗೆ ಉತ್ತರಿಸಿ.  
ಜನರ ನೈತಿಕ ನಿಯಮಗಳು ಅವರ ಸಾಮಾಜಿಕ ಮತ್ತು ಆಧ್ಯಾತ್ಮಿಕ ಜೀವನ ಶೈಲಿಯ ಒಂದು ಸೂಚಕಗಳು.  
ಮಾವನ ಜೀವನದ ನಿಜವಾದ ಸಾರಾಂಶವೆಂದರೆ ಭೌತಿಕ ಸಂತೋಷ ಮತ್ತು ದುಃಖಗಳ ನಡುವೆ ಜೀವನ  
ನಡೆಸುವುದು. ನೀತಿ ತತ್ವಗಳು ಮೂಲತಃವಾಗಿ ಸಂಬಂಧಿಸಿರುವುದು ವಿಶ್ವದ ನೈತಿಕ ವಿಷಯಗಳಿಗೆ. ನಿಜವಾದ  
ಧರ್ಮವು ನೈತಿಕ ಗುಣಗಳಿಗೆ ಒತ್ತನ್ನು ನೀಡುತ್ತದೆ. ಜನರು ತಮ್ಮ ಕರ್ತವ್ಯವನ್ನು ನೈತಿಕ ನಿಯಮಗಳ ಪ್ರಕಾರ  
ಮಾಡಬೇಕು. ನೀತಿ ತತ್ವಗಳ ಒಂದು ನಿಜವಾದ ಜ್ಞಾನವನ್ನು ತಲುಪಬೇಕಾದರೆ ಒಬ್ಬರು ಈ ನೈತಿಕ  
ಮೌಲ್ಯಗಳನ್ನು ಆಚರಿಸಿ ಮತ್ತು ಮೈಗೂಡಿಸಿಕೊಳ್ಳಬೇಕು. ನೀತಿತತ್ವಗಳಲ್ಲಿ ಎರಡು ವಿಧಗಳು - ವೈಯಕ್ತಿಕ  
ಮತ್ತು ಸಾಮಾಜಿಕ. ವೈಯಕ್ತಿಕ ನೀತಿ ತತ್ವಗಳು ಸೂಚಿಸುವುದೇನೆಂದರೆ, ಒಬ್ಬರ ಸಮೃದ್ಧಿಗೆ ಮತ್ತು  
ಸಂತೋಷಕ್ಕೆ ಬೇಕಾಗುವ ಉತ್ತಮ ಗುಣಗಳು. ಸಾಮಾಜಿಕ ನೀತಿತತ್ವಗಳು ಪ್ರತಿನಿಧಿಸುವುದು ಏನೆಂದರೆ  
ಸಾಮಾಜಿಕ ಕ್ರಮ ಮತ್ತು ಸೌಹಾರ್ದತೆಗೆ ಅಗತ್ಯವಿರುವ ಮೌಲ್ಯಗಳು.  
ಭಾರತೀಯ ಜ್ಞಾನ ಸಂಪ್ರದಾಯದಲ್ಲಿ ನೀತಿತತ್ವಗಳು ಮತ್ತು ಧಾರ್ಮಿಕ ಮತ್ತು ತಾತ್ವಿಕ  
ಆಲೋಚನೆಗಳೊಂದಿಗೆ ಮೂಲವನ್ನು ಹೊಂದಿದೆ. ಪ್ರಾಚೀನ ಕಾಲದಿಂದಲೂ ಹಲವು ಧಾರ್ಮಿಕ  
ನಂಬಿಕೆಗಳು ಇಲ್ಲಿ ಸಮೃದ್ಧಗೊಂಡಿವೆ. ಪ್ರತಿಯೊಂದು ಭಾರತೀಯ ಧಾರ್ಮಿಕ ಮತ್ತು ತಾತ್ವಿಕ ಪದ್ಧತಿಗಳು  
ಒಂದು ಪ್ರಮುಖ ನೈತಿಕ ಅಂಶಗಳನ್ನು ಹೊಂದಿದೆ. ಈ ಎಲ್ಲಾ ಪದ್ಧತಿಗಳಿಗೆ ನೀತಿತತ್ವಗಳ ತಿರುಳಾಗಿದೆ.  
ಪ್ರತಿಯೊಂದು ಧಾರ್ಮಿಕ ಸಂಪ್ರದಾಯದಲ್ಲಿ, ಒಳ್ಳೆಯ ನೈತಿಕ ನಡವಳಿಕೆಯು ಸಂತೋಷ ಮತ್ತು ತೃಪ್ತ  
ಜೀವನಕ್ಕೆ ಅಗತ್ಯವಾಗಿದೆ ಎಂದು ಪರಿಗಣಿಸಲಾಗಿದೆ.

ನೀತಿತತ್ವಗಳ ಎರಡು ಪ್ರಧಾನ ವಿಧಗಳೇನು?

1. ಧಾರ್ಮಿಕ ಮತ್ತು ತಾತ್ವಿಕ
2. ವೈಯಕ್ತಿಕ ಮತ್ತು ಸಾಮಾಜಿಕ
3. ತೆರೆದ ಮತ್ತು ಮುಚ್ಚಿದ
4. ಕಠಿಣ ಮತ್ತು ಮೃದು

**Options :**

485584137205. 1  
485584137206. 2  
485584137207. 3  
485584137208. 4

**Question Number : 298 Question Id : 48558434303 Question Type : MCQ Option Shuffling : No Is Question Mandatory :  
No Calculator : None Response Time : N.A Think Time : N.A Minimum Instruction Time : 0**

**Correct Marks : 5 Wrong Marks : 1**

**Question Key Details :**

Key	Value
Comprehension	Comp2

Read the following passage and answer the questions given below:

The moral code of the people is an indicator of their social and spiritual ways of life. The true essence of human life is to live amidst worldly joy and sorrows, Ethics is primarily concerned with the moral issues of the world. True religion lays stress on moral virtues. People are required to discharge their duties according to the moral code of ethics. A true knowledge of ethics would be attained if one practices and imbibes these moral values. Ethics is of two kinds individuals and social. Individual ethics is indicative of the good qualities that are essential for individual well-being of the good qualities that are essential for individual well-being and happiness. Social ethics represents the values that are needed for social order and harmony.

In the knowledge tradition of India ethics has its origin in its religious and philosophical thinking. From time immemorial, various religious faiths have flourished here. Every religious and every philosophical system of India has a prominent ethical component. Ethics is the core of all these systems. In every religious tradition, good moral conduct is considered essential for a happy and contented life.

In the knowledge tradition of India, Ethics originated in \_\_\_\_\_

1. Religious and Philosophical thinking
2. Traditional and Spiritual thinking
3. Broad and Positive thinking
4. Backward and Negative thinking

**Options :**

- 485584137209. 1
- 485584137210. 2
- 485584137211. 3
- 485584137212. 4

**Question Number : 298 Question Id : 48558434303 Question Type : MCQ Option Shuffling : No Is Question Mandatory : No Calculator : None Response Time : N.A Think Time : N.A Minimum Instruction Time : 0**

**Correct Marks : 5 Wrong Marks : 1**

**Question Key Details :**

Key	Value
Comprehension	Comp2

ಕೆಳಗಿನ ವಾಕ್ಯಪುಂಜವನ್ನು ಓದಿ ಮತ್ತು ಕೆಳಗೆ ನೀಡಿರುವ ಪ್ರಶ್ನೆಗಳಿಗೆ ಉತ್ತರಿಸಿ.  
ಜನರ ನೈತಿಕ ನಿಯಮಗಳು ಅವರ ಸಾಮಾಜಿಕ ಮತ್ತು ಆಧ್ಯಾತ್ಮಿಕ ಜೀವನ ಶೈಲಿಯ ಒಂದು ಸೂಚಕಗಳು.  
ಮಾವನ ಜೀವನದ ನಿಜವಾದ ಸಾರಾಂಶವೆಂದರೆ ಭೌತಿಕ ಸಂತೋಷ ಮತ್ತು ದುಃಖಗಳ ನಡುವೆ ಜೀವನ  
ನಡೆಸುವುದು. ನೀತಿ ತತ್ವಗಳು ಮೂಲತಃವಾಗಿ ಸಂಬಂಧಿಸಿರುವುದು ವಿಶ್ವದ ನೈತಿಕ ವಿಷಯಗಳಿಗೆ. ನಿಜವಾದ  
ಧರ್ಮವು ನೈತಿಕ ಗುಣಗಳಿಗೆ ಒತ್ತನ್ನು ನೀಡುತ್ತದೆ. ಜನರು ತಮ್ಮ ಕರ್ತವ್ಯವನ್ನು ನೈತಿಕ ನಿಯಮಗಳ ಪ್ರಕಾರ  
ಮಾಡಬೇಕು. ನೀತಿ ತತ್ವಗಳ ಒಂದು ನಿಜವಾದ ಜ್ಞಾನವನ್ನು ತಲುಪಬೇಕಾದರೆ ಒಬ್ಬರು ಈ ನೈತಿಕ  
ಮೌಲ್ಯಗಳನ್ನು ಆಚರಿಸಿ ಮತ್ತು ಮೈಗೂಡಿಸಿಕೊಳ್ಳಬೇಕು. ನೀತಿತತ್ವಗಳಲ್ಲಿ ಎರಡು ವಿಧಗಳು - ವೈಯಕ್ತಿಕ  
ಮತ್ತು ಸಾಮಾಜಿಕ. ವೈಯಕ್ತಿಕ ನೀತಿ ತತ್ವಗಳು ಸೂಚಿಸುವುದೇನೆಂದರೆ, ಒಬ್ಬರ ಸಮೃದ್ಧಿಗೆ ಮತ್ತು  
ಸಂತೋಷಕ್ಕೆ ಬೇಕಾಗುವ ಉತ್ತಮ ಗುಣಗಳು. ಸಾಮಾಜಿಕ ನೀತಿತತ್ವಗಳು ಪ್ರತಿನಿಧಿಸುವುದು ಏನೆಂದರೆ  
ಸಾಮಾಜಿಕ ಕ್ರಮ ಮತ್ತು ಸೌಹಾರ್ದತೆಗೆ ಅಗತ್ಯವಿರುವ ಮೌಲ್ಯಗಳು.  
ಭಾರತೀಯ ಜ್ಞಾನ ಸಂಪ್ರದಾಯದಲ್ಲಿ ನೀತಿತತ್ವಗಳು ಮತ್ತು ಧಾರ್ಮಿಕ ಮತ್ತು ತಾತ್ವಿಕ  
ಆಲೋಚನೆಗಳೊಂದಿಗೆ ಮೂಲವನ್ನು ಹೊಂದಿದೆ. ಪ್ರಾಚೀನ ಕಾಲದಿಂದಲೂ ಹಲವು ಧಾರ್ಮಿಕ  
ನಂಬಿಕೆಗಳು ಇಲ್ಲಿ ಸಮೃದ್ಧಗೊಂಡಿವೆ. ಪ್ರತಿಯೊಂದು ಭಾರತೀಯ ಧಾರ್ಮಿಕ ಮತ್ತು ತಾತ್ವಿಕ ಪದ್ಧತಿಗಳು  
ಒಂದು ಪ್ರಮುಖ ನೈತಿಕ ಅಂಶಗಳನ್ನು ಹೊಂದಿದೆ. ಈ ಎಲ್ಲಾ ಪದ್ಧತಿಗಳಿಗೆ ನೀತಿತತ್ವಗಳ ತಿರುಳಾಗಿದೆ.  
ಪ್ರತಿಯೊಂದು ಧಾರ್ಮಿಕ ಸಂಪ್ರದಾಯದಲ್ಲಿ, ಒಳ್ಳೆಯ ನೈತಿಕ ನಡವಳಿಕೆಯು ಸಂತೋಷ ಮತ್ತು ತೃಪ್ತ  
ಜೀವನಕ್ಕೆ ಅಗತ್ಯವಾಗಿದೆ ಎಂದು ಪರಿಗಣಿಸಲಾಗಿದೆ.

ಭಾರತೀಯ ಜ್ಞಾನ ಸಂಪ್ರದಾಯದಲ್ಲಿ, ನೀತಿತತ್ವಗಳು ಉಗಮವಾಗಿದ್ದು -

1. ಧಾರ್ಮಿಕ ಮತ್ತು ತಾತ್ವಿಕ ಆಲೋಚನೆಯಿಂದ
2. ಸಾಂಪ್ರದಾಯಿಕ ಮತ್ತು ಆಧ್ಯಾತ್ಮಿಕ ಆಲೋಚನೆಯಿಂದ
3. ವಿಶಾಲವಾದ ಮತ್ತು ಧನಾತ್ಮಕ ಆಲೋಚನೆಯಿಂದ
4. ಹಿಂದುಳಿದ ಮತ್ತು ಋಣಾತ್ಮಕ ಆಲೋಚನೆಯಿಂದ

**Options :**

485584137209. 1  
485584137210. 2  
485584137211. 3  
485584137212. 4

**Question Number : 299 Question Id : 48558434304 Question Type : MCQ Option Shuffling : No Is Question Mandatory :  
No Calculator : None Response Time : N.A Think Time : N.A Minimum Instruction Time : 0**

**Correct Marks : 5 Wrong Marks : 1**

**Question Key Details :**

Key	Value
Comprehension	Comp2

Read the following passage and answer the questions given below:

The moral code of the people is an indicator of their social and spiritual ways of life. The true essence of human life is to live amidst worldly joy and sorrows, Ethics is primarily concerned with the moral issues of the world. True religion lays stress on moral virtues. People are required to discharge their duties according to the moral code of ethics. A true knowledge of ethics would be attained if one practices and imbibes these moral values. Ethics is of two kinds individuals and social. Individual ethics is indicative of the good qualities that are essential for individual well-being of the good qualities that are essential for individual well-being and happiness. Social ethics represents the values that are needed for social order and harmony.

In the knowledge tradition of India ethics has its origin in its religious and philosophical thinking. From time immemorial, various religious faiths have flourished here. Every religious and every philosophical system of India has a prominent ethical component. Ethics is the core of all these systems. In every religious tradition, good moral conduct is considered essential for a happy and contented life.

Ethics is primarily concerned with the \_\_\_\_\_

1. Social issues of the world
2. Economic issues of the world
3. Moral issues of the world
4. Religious issues of the world

**Options :**

- 485584137213. 1
- 485584137214. 2
- 485584137215. 3
- 485584137216. 4

**Question Number : 299 Question Id : 48558434304 Question Type : MCQ Option Shuffling : No Is Question Mandatory : No Calculator : None Response Time : N.A Think Time : N.A Minimum Instruction Time : 0**

**Correct Marks : 5 Wrong Marks : 1**

**Question Key Details :**

Key	Value
Comprehension	Comp2

ಕೆಳಗಿನ ವಾಕ್ಯಪುಂಜವನ್ನು ಓದಿ ಮತ್ತು ಕೆಳಗೆ ನೀಡಿರುವ ಪ್ರಶ್ನೆಗಳಿಗೆ ಉತ್ತರಿಸಿ.  
ಜನರ ನೈತಿಕ ನಿಯಮಗಳು ಅವರ ಸಾಮಾಜಿಕ ಮತ್ತು ಆಧ್ಯಾತ್ಮಿಕ ಜೀವನ ಶೈಲಿಯ ಒಂದು ಸೂಚಕಗಳು.  
ಮಾವನ ಜೀವನದ ನಿಜವಾದ ಸಾರಾಂಶವೆಂದರೆ ಭೌತಿಕ ಸಂತೋಷ ಮತ್ತು ದುಃಖಗಳ ನಡುವೆ ಜೀವನ  
ನಡೆಸುವುದು. ನೀತಿ ತತ್ವಗಳು ಮೂಲತಃವಾಗಿ ಸಂಬಂಧಿಸಿರುವುದು ವಿಶ್ವದ ನೈತಿಕ ವಿಷಯಗಳಿಗೆ. ನಿಜವಾದ  
ಧರ್ಮವು ನೈತಿಕ ಗುಣಗಳಿಗೆ ಒತ್ತನ್ನು ನೀಡುತ್ತದೆ. ಜನರು ತಮ್ಮ ಕರ್ತವ್ಯವನ್ನು ನೈತಿಕ ನಿಯಮಗಳ ಪ್ರಕಾರ  
ಮಾಡಬೇಕು. ನೀತಿ ತತ್ವಗಳ ಒಂದು ನಿಜವಾದ ಜ್ಞಾನವನ್ನು ತಲುಪಬೇಕಾದರೆ ಒಬ್ಬರು ಈ ನೈತಿಕ  
ಮೌಲ್ಯಗಳನ್ನು ಆಚರಿಸಿ ಮತ್ತು ಮೈಗೂಡಿಸಿಕೊಳ್ಳಬೇಕು. ನೀತಿತತ್ವಗಳಲ್ಲಿ ಎರಡು ವಿಧಗಳು - ವೈಯಕ್ತಿಕ  
ಮತ್ತು ಸಾಮಾಜಿಕ. ವೈಯಕ್ತಿಕ ನೀತಿ ತತ್ವಗಳು ಸೂಚಿಸುವುದೇನೆಂದರೆ, ಒಬ್ಬರ ಸಮೃದ್ಧಿಗೆ ಮತ್ತು  
ಸಂತೋಷಕ್ಕೆ ಬೇಕಾಗುವ ಉತ್ತಮ ಗುಣಗಳು. ಸಾಮಾಜಿಕ ನೀತಿತತ್ವಗಳು ಪ್ರತಿನಿಧಿಸುವುದು ಏನೆಂದರೆ  
ಸಾಮಾಜಿಕ ಕ್ರಮ ಮತ್ತು ಸೌಹಾರ್ದತೆಗೆ ಅಗತ್ಯವಿರುವ ಮೌಲ್ಯಗಳು.  
ಭಾರತೀಯ ಜ್ಞಾನ ಸಂಪ್ರದಾಯದಲ್ಲಿ ನೀತಿತತ್ವಗಳು ಮತ್ತು ಧಾರ್ಮಿಕ ಮತ್ತು ತಾತ್ವಿಕ  
ಆಲೋಚನೆಗಳೊಂದಿಗೆ ಮೂಲವನ್ನು ಹೊಂದಿದೆ. ಪ್ರಾಚೀನ ಕಾಲದಿಂದಲೂ ಹಲವು ಧಾರ್ಮಿಕ  
ನಂಬಿಕೆಗಳು ಇಲ್ಲಿ ಸಮೃದ್ಧಗೊಂಡಿವೆ. ಪ್ರತಿಯೊಂದು ಭಾರತೀಯ ಧಾರ್ಮಿಕ ಮತ್ತು ತಾತ್ವಿಕ ಪದ್ಧತಿಗಳು  
ಒಂದು ಪ್ರಮುಖ ನೈತಿಕ ಅಂಶಗಳನ್ನು ಹೊಂದಿದೆ. ಈ ಎಲ್ಲಾ ಪದ್ಧತಿಗಳಿಗೆ ನೀತಿತತ್ವಗಳ ತಿರುಳಾಗಿದೆ.  
ಪ್ರತಿಯೊಂದು ಧಾರ್ಮಿಕ ಸಂಪ್ರದಾಯದಲ್ಲಿ, ಒಳ್ಳೆಯ ನೈತಿಕ ನಡವಳಿಕೆಯು ಸಂತೋಷ ಮತ್ತು ತೃಪ್ತ  
ಜೀವನಕ್ಕೆ ಅಗತ್ಯವಾಗಿದೆ ಎಂದು ಪರಿಗಣಿಸಲಾಗಿದೆ.

ನೀತಿತತ್ವಗಳು ಮೂಲತಃವಾಗಿ ಸಂಬಂಧಿಸಿರುವುದು \_\_\_\_\_.

1. ವಿಶ್ವದ ಸಾಮಾಜಿಕ ವಿಷಯಗಳಿಗೆ
2. ವಿಶ್ವದ ಆರ್ಥಿಕ ವಿಷಯಗಳಿಗೆ
3. ವಿಶ್ವದ ನೈತಿಕ ವಿಷಯಗಳಿಗೆ
4. ವಿಶ್ವದ ಧಾರ್ಮಿಕ ವಿಷಯಗಳಿಗೆ

**Options :**

485584137213. 1  
485584137214. 2  
485584137215. 3  
485584137216. 4

**Question Number : 300 Question Id : 48558434305 Question Type : MCQ Option Shuffling : No Is Question Mandatory : No Calculator : None Response Time : N.A Think Time : N.A Minimum Instruction Time : 0**

**Correct Marks : 5 Wrong Marks : 1**

**Question Key Details :**

Key	Value
Comprehension	Comp2



Read the following passage and answer the questions given below:

The moral code of the people is an indicator of their social and spiritual ways of life. The true essence of human life is to live amidst worldly joy and sorrows, Ethics is primarily concerned with the moral issues of the world. True religion lays stress on moral virtues. People are required to discharge their duties according to the moral code of ethics. A true knowledge of ethics would be attained if one practices and imbibes these moral values. Ethics is of two kinds individual and social. Individual ethics is indicative of the good qualities that are essential for individual well-being of the good qualities that are essential for individual well-being and happiness. Social ethics represents the values that are needed for social order and harmony.

In the knowledge tradition of India ethics has its origin in its religious and philosophical thinking. From time immemorial, various religious faiths have flourished here. Every religious and every philosophical system of India has a prominent ethical component. Ethics is the core of all these systems. In every religious tradition, good moral conduct is considered essential for a happy and contented life.

To maintain social order and harmony what type of ethics play an important role in society?

1. Individual Ethics
2. Social Ethics
3. Political Ethics
4. Legal Ethics

**Options :**

- 485584137217. 1
- 485584137218. 2
- 485584137219. 3
- 485584137220. 4

**Question Number : 300 Question Id : 48558434305 Question Type : MCQ Option Shuffling : No Is Question Mandatory : No Calculator : None Response Time : N.A Think Time : N.A Minimum Instruction Time : 0 Correct Marks : 5 Wrong Marks : 1**

**Question Key Details :**

Key	Value
Comprehension	Comp2

ಕೆಳಗಿನ ವಾಕ್ಯಪುಂಜವನ್ನು ಓದಿ ಮತ್ತು ಕೆಳಗೆ ನೀಡಿರುವ ಪ್ರಶ್ನೆಗಳಿಗೆ ಉತ್ತರಿಸಿ.  
ಜನರ ನೈತಿಕ ನಿಯಮಗಳು ಅವರ ಸಾಮಾಜಿಕ ಮತ್ತು ಆಧ್ಯಾತ್ಮಿಕ ಜೀವನ ಶೈಲಿಯ ಒಂದು ಸೂಚಕಗಳು.  
ಮಾವನ ಜೀವನದ ನಿಜವಾದ ಸಾರಾಂಶವೆಂದರೆ ಭೌತಿಕ ಸಂತೋಷ ಮತ್ತು ದುಃಖಗಳ ನಡುವೆ ಜೀವನ  
ನಡೆಸುವುದು. ನೀತಿ ತತ್ವಗಳು ಮೂಲತಃವಾಗಿ ಸಂಬಂಧಿಸಿರುವುದು ವಿಶ್ವದ ನೈತಿಕ ವಿಷಯಗಳಿಗೆ. ನಿಜವಾದ  
ಧರ್ಮವು ನೈತಿಕ ಗುಣಗಳಿಗೆ ಒತ್ತನ್ನು ನೀಡುತ್ತದೆ. ಜನರು ತಮ್ಮ ಕರ್ತವ್ಯವನ್ನು ನೈತಿಕ ನಿಯಮಗಳ ಪ್ರಕಾರ  
ಮಾಡಬೇಕು. ನೀತಿ ತತ್ವಗಳ ಒಂದು ನಿಜವಾದ ಜ್ಞಾನವನ್ನು ತಲುಪಬೇಕಾದರೆ ಒಬ್ಬರು ಈ ನೈತಿಕ  
ಮೌಲ್ಯಗಳನ್ನು ಆಚರಿಸಿ ಮತ್ತು ಮೈಗೂಡಿಸಿಕೊಳ್ಳಬೇಕು. ನೀತಿತತ್ವಗಳಲ್ಲಿ ಎರಡು ವಿಧಗಳು - ವೈಯಕ್ತಿಕ  
ಮತ್ತು ಸಾಮಾಜಿಕ. ವೈಯಕ್ತಿಕ ನೀತಿ ತತ್ವಗಳು ಸೂಚಿಸುವುದೇನೆಂದರೆ, ಒಬ್ಬರ ಸಮೃದ್ಧಿಗೆ ಮತ್ತು  
ಸಂತೋಷಕ್ಕೆ ಬೇಕಾಗುವ ಉತ್ತಮ ಗುಣಗಳು. ಸಾಮಾಜಿಕ ನೀತಿತತ್ವಗಳು ಪ್ರತಿನಿಧಿಸುವುದು ಏನೆಂದರೆ  
ಸಾಮಾಜಿಕ ಕ್ರಮ ಮತ್ತು ಸೌಹಾರ್ದತೆಗೆ ಅಗತ್ಯವಿರುವ ಮೌಲ್ಯಗಳು.  
ಭಾರತೀಯ ಜ್ಞಾನ ಸಂಪ್ರದಾಯದಲ್ಲಿ ನೀತಿತತ್ವಗಳು ಮತ್ತು ಧಾರ್ಮಿಕ ಮತ್ತು ತಾತ್ವಿಕ  
ಆಲೋಚನೆಗಳೊಂದಿಗೆ ಮೂಲವನ್ನು ಹೊಂದಿದೆ. ಪ್ರಾಚೀನ ಕಾಲದಿಂದಲೂ ಹಲವು ಧಾರ್ಮಿಕ  
ನಂಬಿಕೆಗಳು ಇಲ್ಲಿ ಸಮೃದ್ಧಗೊಂಡಿವೆ. ಪ್ರತಿಯೊಂದು ಭಾರತೀಯ ಧಾರ್ಮಿಕ ಮತ್ತು ತಾತ್ವಿಕ ಪದ್ಧತಿಗಳು  
ಒಂದು ಪ್ರಮುಖ ನೈತಿಕ ಅಂಶಗಳನ್ನು ಹೊಂದಿದೆ. ಈ ಎಲ್ಲಾ ಪದ್ಧತಿಗಳಿಗೆ ನೀತಿತತ್ವಗಳ ತಿರುಳಾಗಿದೆ.  
ಪ್ರತಿಯೊಂದು ಧಾರ್ಮಿಕ ಸಂಪ್ರದಾಯದಲ್ಲಿ, ಒಳ್ಳೆಯ ನೈತಿಕ ನಡವಳಿಕೆಯು ಸಂತೋಷ ಮತ್ತು ತೃಪ್ತ  
ಜೀವನಕ್ಕೆ ಅಗತ್ಯವಾಗಿದೆ ಎಂದು ಪರಿಗಣಿಸಲಾಗಿದೆ.

ಸಾಮಾಜಿಕ ಕ್ರಮ ಮತ್ತು ಸೌಹಾರ್ದತೆಯನ್ನು ನಿರ್ವಹಿಸಲು ಯಾವ ವಿಧದ ನೀತಿ ತತ್ವಗಳು ಸಮಾಜದಲ್ಲಿ  
ಮುಖ್ಯ ಪಾತ್ರ ವಹಿಸುತ್ತವೆ?

1. ವೈಯಕ್ತಿಕ ನೀತಿತತ್ವಗಳು
2. ಸಾಮಾಜಿಕ ನೀತಿತತ್ವಗಳು
3. ರಾಜಕೀಯ ನೀತಿತತ್ವಗಳು
4. ಕಾನೂನಾತ್ಮಕ ನೀತಿತತ್ವಗಳು

**Options :**

485584137217. 1  
485584137218. 2  
485584137219. 3  
485584137220. 4

## Political Science

<b>Group Number :</b>	12
<b>Group Id :</b>	485584779
<b>Group Maximum Duration :</b>	45
<b>Group Minimum Duration :</b>	45
<b>Show Attended Group? :</b>	No
<b>Edit Attended Group? :</b>	No
<b>Break time :</b>	0
<b>Group Marks :</b>	200
<b>Is this Group for Examiner? :</b>	No
<b>Examiner permission :</b>	Cant View
<b>Show Progress Bar? :</b>	No

## Political Science

**Section Id :** 485584897  
**Section Number :** 1  
**Section type :** Online  
**Mandatory or Optional :** Mandatory  
**Number of Questions :** 50  
**Number of Questions to be attempted :** 40  
**Section Marks :** 200  
**Enable Mark as Answered Mark for Review and Clear Response :** Yes  
**Maximum Instruction Time :** 0  
**Sub-Section Number :** 1  
**Sub-Section Id :** 4855842545  
**Question Shuffling Allowed :** Yes  
**Is Section Default? :** null

**Question Number : 301 Question Id : 48558434356 Question Type : MCQ Option Shuffling : No Is Question Mandatory : No Calculator : None Response Time : N.A Think Time : N.A Minimum Instruction Time : 0**

**Correct Marks : 5 Wrong Marks : 1**

**Question Key Details :**

Key	Value
Comprehension	MCQ

When the constitution was signed?

1. 24 January 1950
2. 26 November 1949
3. 26 January 1950
4. 26 November 1950

**Options :**

485584137421. 1  
485584137422. 2  
485584137423. 3  
485584137424. 4

**Question Number : 302 Question Id : 48558434357 Question Type : MCQ Option Shuffling : No Is Question Mandatory : No Calculator : None Response Time : N.A Think Time : N.A Minimum Instruction Time : 0**

**Correct Marks : 5 Wrong Marks : 1**

**Question Key Details :**

Key	Value
Comprehension	MCQ

Election Commission of India was setup in

1. January 1949
2. January 1950
3. November 1949
4. November 1950

**Options :**

485584137425. 1  
485584137426. 2  
485584137427. 3  
485584137428. 4

**Question Number : 303 Question Id : 48558434358 Question Type : MCQ Option Shuffling : No Is Question Mandatory : No Calculator : None Response Time : N.A Think Time : N.A Minimum Instruction Time : 0**

**Correct Marks : 5 Wrong Marks : 1**

**Question Key Details :**

Key	Value
Comprehension	MCQ

Who was the first Election Commissioner of India.

1. S S Sen
2. Sukumar Sen
3. Kumar Sen
4. S Kumar Sen

**Options :**

485584137429. 1  
485584137430. 2  
485584137431. 3  
485584137432. 4

**Question Number : 304 Question Id : 48558434359 Question Type : MCQ Option Shuffling : No Is Question Mandatory : No Calculator : None Response Time : N.A Think Time : N.A Minimum Instruction Time : 0**

**Correct Marks : 5 Wrong Marks : 1**

**Question Key Details :**

Key	Value
Comprehension	MCQ

Who decided to convert Cuba in to a Russain base in 1962.

1. Nikhil Khurushchev
2. Nikita Khurushchev
3. Neil Khurushchev
4. Nail Khurushchev

**Options :**

485584137433. 1  
485584137434. 2  
485584137435. 3  
485584137436. 4

**Question Number : 305 Question Id : 48558434360 Question Type : MCQ Option Shuffling : No Is Question Mandatory : No Calculator : None Response Time : N.A Think Time : N.A Minimum Instruction Time : 0**

**Correct Marks : 5 Wrong Marks : 1**

**Question Key Details :**

Key	Value
Comprehension	MCQ

The First world War was shaken the world between

1. 1914-1918
2. 1914-1916
3. 1914-1919
4. 1914-1917

**Options :**

485584137437. 1  
485584137438. 2  
485584137439. 3  
485584137440. 4

**Question Number : 306 Question Id : 48558434361 Question Type : MCQ Option Shuffling : No Is Question Mandatory : No Calculator : None Response Time : N.A Think Time : N.A Minimum Instruction Time : 0**

**Correct Marks : 5 Wrong Marks : 1**

**Question Key Details :**

Key	Value
Comprehension	MCQ

United States dropped two atomic bombs on the Japanese cities of Hiroshima and Nagasaki in

1. July 1945
2. August 1945
3. September 1945
4. October 1945

**Options :**

- 485584137441. 1
- 485584137442. 2
- 485584137443. 3
- 485584137444. 4

**Question Number : 307 Question Id : 48558434362 Question Type : MCQ Option Shuffling : No Is Question Mandatory : No Calculator : None Response Time : N.A Think Time : N.A Minimum Instruction Time : 0**

**Correct Marks : 5 Wrong Marks : 1**

**Question Key Details :**

Key	Value
Comprehension	MCQ

North Atlantic Treaty Organisation (NATO) came into existence in

1. March 1949
2. April 1949
3. May 1949
4. June 1949

**Options :**

- 485584137445. 1
- 485584137446. 2
- 485584137447. 3
- 485584137448. 4

**Question Number : 308 Question Id : 48558434363 Question Type : MCQ Option Shuffling : No Is Question Mandatory : No Calculator : None Response Time : N.A Think Time : N.A Minimum Instruction Time : 0**

**Correct Marks : 5 Wrong Marks : 1**

**Question Key Details :**

Key	Value
Comprehension	MCQ

The Eastern alliance, known as the Warsaw Pact, was led by the Soviet Union was created in

1. 1945
2. 1949
3. 1955
4. 1957

**Options :**

- 485584137449. 1
- 485584137450. 2
- 485584137451. 3
- 485584137452. 4

**Question Number : 309 Question Id : 48558434364 Question Type : MCQ Option Shuffling : No Is Question Mandatory : No Calculator : None Response Time : N.A Think Time : N.A Minimum Instruction Time : 0**

**Correct Marks : 5 Wrong Marks : 1**

**Question Key Details :**

Key	Value
Comprehension	MCQ

The First non-aligned summit was held in Belgrade in.

1. 1958
2. 1959
3. 1960
4. 1961

**Options :**

- 485584137453. 1
- 485584137454. 2
- 485584137455. 3
- 485584137456. 4

**Question Number : 310 Question Id : 48558434365 Question Type : MCQ Option Shuffling : No Is Question Mandatory : No Calculator : None Response Time : N.A Think Time : N.A Minimum Instruction Time : 0**

**Correct Marks : 5 Wrong Marks : 1**

**Question Key Details :**

Key	Value
Comprehension	MCQ

Famous speech 'tryst with destiny' is addressed by :-

1. Jawaharlal Nehru
2. Mahatma Gandhi
3. Lal Bahadur Shastri
4. Khan Abdul Gaffar Khan

**Options :**

485584137457. 1  
485584137458. 2  
485584137459. 3  
485584137460. 4

**Question Number : 311 Question Id : 48558434366 Question Type : MCQ Option Shuffling : No Is Question Mandatory : No Calculator : None Response Time : N.A Think Time : N.A Minimum Instruction Time : 0**

**Correct Marks : 5 Wrong Marks : 1**

**Question Key Details :**

Key	Value
Comprehension	MCQ

Who was the Deputy Prime Minister and first home minister of Independent India

1. Raf Ahmad Kidwai
2. Sardar Vallabh Bhai Patel
3. C. Rajgopalachari
4. K. S. Menon

**Options :**

485584137461. 1  
485584137462. 2  
485584137463. 3  
485584137464. 4

**Question Number : 312 Question Id : 48558434367 Question Type : MCQ Option Shuffling : No Is Question Mandatory : No Calculator : None Response Time : N.A Think Time : N.A Minimum Instruction Time : 0**

**Correct Marks : 5 Wrong Marks : 1**

**Question Key Details :**

Key	Value
Comprehension	MCQ



A section of the big industrialists got together in 1944 and drafted a joint proposal for setting up a planned economy in the country it was called \_\_\_\_\_

1. Russian Plan
2. Global Plan
3. Bombay Plan
4. SwissPlan

**Options :**

485584137465. 1  
485584137466. 2  
485584137467. 3  
485584137468. 4

**Question Number : 313 Question Id : 48558434368 Question Type : MCQ Option Shuffling : No Is Question Mandatory : No Calculator : None Response Time : N.A Think Time : N.A Minimum Instruction Time : 0**

**Correct Marks : 5 Wrong Marks : 1**

**Question Key Details :**

Key	Value
Comprehension	MCQ

Name the founder of Indian Stastical Institute

1. K. N. Raj
2. J. C. Kumarappa
3. R. D. Raj
4. P. C. Mahalanobis

**Options :**

485584137469. 1  
485584137470. 2  
485584137471. 3  
485584137472. 4

**Question Number : 314 Question Id : 48558434369 Question Type : MCQ Option Shuffling : No Is Question Mandatory : No Calculator : None Response Time : N.A Think Time : N.A Minimum Instruction Time : 0**

**Correct Marks : 5 Wrong Marks : 1**

**Question Key Details :**

Key	Value
Comprehension	MCQ

Which Article of the Indian constitution lays down some directive principles of State policy on 'Promotion of international peace and security'

1. Article 51
2. Article 52
3. Article 53
4. Article 54

**Options :**

- 485584137473. 1
- 485584137474. 2
- 485584137475. 3
- 485584137476. 4

**Question Number : 315 Question Id : 48558434370 Question Type : MCQ Option Shuffling : No Is Question Mandatory : No Calculator : None Response Time : N.A Think Time : N.A Minimum Instruction Time : 0**

**Correct Marks : 5 Wrong Marks : 1**

**Question Key Details :**

Key	Value
Comprehension	MCQ

Who is the director of film 'Haqeeqat' (year 1964)

1. Sanjay Khan
2. Balraj Sahni
3. Chetan Anand
4. Jaxant Karvey

**Options :**

- 485584137477. 1
- 485584137478. 2
- 485584137479. 3
- 485584137480. 4

**Question Number : 316 Question Id : 48558434371 Question Type : MCQ Option Shuffling : No Is Question Mandatory : No Calculator : None Response Time : N.A Think Time : N.A Minimum Instruction Time : 0**

**Correct Marks : 5 Wrong Marks : 1**

**Question Key Details :**

Key	Value
Comprehension	MCQ

Who coined the famous slogan 'Jai Jawan Jai Kisan'

1. Lal Bahadur Sashtri
2. Jawaharlal Nehru
3. Khan Abdul Gaffar
4. Mahatma Gandhi

**Options :**

485584137481. 1  
485584137482. 2  
485584137483. 3  
485584137484. 4

**Question Number : 317 Question Id : 48558434372 Question Type : MCQ Option Shuffling : No Is Question Mandatory : No Calculator : None Response Time : N.A Think Time : N.A Minimum Instruction Time : 0**

**Correct Marks : 5 Wrong Marks : 1**

**Question Key Details :**

Key	Value
Comprehension	MCQ

Who formed DMK as a political party in 1949

1. Ram Manohar Lohia
2. C. Natrajan Annadurai
3. C. Kagle
4. Karpoori Thakur

**Options :**

485584137485. 1  
485584137486. 2  
485584137487. 3  
485584137488. 4

**Question Number : 318 Question Id : 48558434373 Question Type : MCQ Option Shuffling : No Is Question Mandatory : No Calculator : None Response Time : N.A Think Time : N.A Minimum Instruction Time : 0**

**Correct Marks : 5 Wrong Marks : 1**

**Question Key Details :**

Key	Value
Comprehension	MCQ

Under the provision of which Article in Indian constitution government could declare a state of emergency on ground of external threat or internal disturbance.

1. Article 362
2. Article 352
3. Article 372
4. Article 382

**Options :**

485584137489. 1  
485584137490. 2  
485584137491. 3  
485584137492. 4

**Question Number : 319 Question Id : 48558434374 Question Type : MCQ Option Shuffling : No Is Question Mandatory : No Calculator : None Response Time : N.A Think Time : N.A Minimum Instruction Time : 0**

**Correct Marks : 5 Wrong Marks : 1**

**Question Key Details :**

Key	Value
Comprehension	MCQ

in which year the Janta Party government appointed a commission of inquiry headed by Justice J. C. Shah.

1. May 1977
2. June 1977
3. July 1977
4. August 1977

**Options :**

485584137493. 1  
485584137494. 2  
485584137495. 3  
485584137496. 4

**Question Number : 320 Question Id : 48558434375 Question Type : MCQ Option Shuffling : No Is Question Mandatory : No Calculator : None Response Time : N.A Think Time : N.A Minimum Instruction Time : 0**

**Correct Marks : 5 Wrong Marks : 1**

**Question Key Details :**

Key	Value
Comprehension	MCQ

Dalit Panthers, a militant organisation of the Dalit youth was formed in which state

1. Gujarat
2. Andhra Pradesh
3. Maharashtra
4. Bihar

**Options :**

485584137497. 1  
485584137498. 2  
485584137499. 3  
485584137500. 4

**Question Number : 321 Question Id : 48558434376 Question Type : MCQ Option Shuffling : No Is Question Mandatory : No Calculator : None Response Time : N.A Think Time : N.A Minimum Instruction Time : 0**

**Correct Marks : 5 Wrong Marks : 1**

**Question Key Details :**

Key	Value
Comprehension	MCQ

Write the full form of BKU

1. Bharat Keval Union
2. Bharat Kisan Union
3. Bharat Karma union
4. Bhartiya Kisan United

**Options :**

485584137501. 1  
485584137502. 2  
485584137503. 3  
485584137504. 4

**Question Number : 322 Question Id : 48558434377 Question Type : MCQ Option Shuffling : No Is Question Mandatory : No Calculator : None Response Time : N.A Think Time : N.A Minimum Instruction Time : 0**

**Correct Marks : 5 Wrong Marks : 1**

**Question Key Details :**

Key	Value
Comprehension	MCQ

Turning their back to the  
Sun they prayed through centuries  
Now, now we must refuse  
to be pilgrims of darkness

Who is the author of above poem

1. Eleanor Zelliot
2. Namdeo Dhasal
3. Golpitha
4. Jayanti Karvay

**Options :**

485584137505. 1  
485584137506. 2  
485584137507. 3  
485584137508. 4

**Question Number : 323 Question Id : 48558434378 Question Type : MCQ Option Shuffling : No Is Question Mandatory : No Calculator : None Response Time : N.A Think Time : N.A Minimum Instruction Time : 0**

**Correct Marks : 5 Wrong Marks : 1**

**Question Key Details :**

Key	Value
Comprehension	MCQ

The slogan of "Anti Arrack Movement in Andhra Pradesh was

1. Say no to liquor
2. Stop liquor
3. Prohibition on the sale of arrack
4. Stop arrack save lives

**Options :**

485584137509. 1  
485584137510. 2  
485584137511. 3  
485584137512. 4

**Question Number : 324 Question Id : 48558434379 Question Type : MCQ Option Shuffling : No Is Question Mandatory : No Calculator : None Response Time : N.A Think Time : N.A Minimum Instruction Time : 0**

**Correct Marks : 5 Wrong Marks : 1**

**Question Key Details :**

Key	Value
Comprehension	MCQ

Who was known as 'Periyar'

1. E.V. Ramasami Naicker
2. Sheikh Abdulla
3. E.V. Ramanujan
4. E.S. Naiyekar

**Options :**

485584137513. 1  
485584137514. 2  
485584137515. 3  
485584137516. 4

**Question Number : 325 Question Id : 48558434380 Question Type : MCQ Option Shuffling : No Is Question Mandatory : No Calculator : None Response Time : N.A Think Time : N.A Minimum Instruction Time : 0**

**Correct Marks : 5 Wrong Marks : 1**

**Question Key Details :**

Key	Value
Comprehension	MCQ

Write the full form of 'AASU'

1. All Assam Students Union
2. All Assam Samarathak Union
3. All Assam Samman Union
4. All Assam Student united

**Options :**

485584137517. 1  
485584137518. 2  
485584137519. 3  
485584137520. 4

**Question Number : 326 Question Id : 48558434381 Question Type : MCQ Option Shuffling : No Is Question Mandatory : No Calculator : None Response Time : N.A Think Time : N.A Minimum Instruction Time : 0**

**Correct Marks : 5 Wrong Marks : 1**

**Question Key Details :**

Key	Value
Comprehension	MCQ

Who advocated the Charbuja Rajniti

1. Ram Manohar Lohia
2. Ram Thakur
3. Lala Lajpat Rai
4. Atal Bihari Vajpayee

**Options :**

485584137521. 1  
485584137522. 2  
485584137523. 3  
485584137524. 4

**Question Number : 327 Question Id : 48558434382 Question Type : MCQ Option Shuffling : No Is Question Mandatory : No Calculator : None Response Time : N.A Think Time : N.A Minimum Instruction Time : 0**

**Correct Marks : 5 Wrong Marks : 1**

**Question Key Details :**

Key	Value
Comprehension	MCQ

BRIC was formed in which year

1. 2005
2. 2006
3. 2007
4. 2008

**Options :**

485584137525. 1  
485584137526. 2  
485584137527. 3  
485584137528. 4

**Question Number : 328 Question Id : 48558434383 Question Type : MCQ Option Shuffling : No Is Question Mandatory : No Calculator : None Response Time : N.A Think Time : N.A Minimum Instruction Time : 0**

**Correct Marks : 5 Wrong Marks : 1**

**Question Key Details :**

Key	Value
Comprehension	MCQ



Full form of NITI Aayog :

1. National Institution for Transforming India
2. National Institution for Testing India
3. National Institution for Total India
4. national Integration of total India

**Options :**

485584137529. 1  
485584137530. 2  
485584137531. 3  
485584137532. 4

**Question Number : 329 Question Id : 48558434384 Question Type : MCQ Option Shuffling : No Is Question Mandatory : No Calculator : None Response Time : N.A Think Time : N.A Minimum Instruction Time : 0**

**Correct Marks : 5 Wrong Marks : 1**

**Question Key Details :**

Key	Value
Comprehension	MCQ

Match List I with List II

LIST I		LIST II	
A.	IAEA	I.	2006
B.	World Bank	II.	1995
C.	human Rights Council	III.	1957
D.	WTO	IV.	1944

Choose the correct answer from the options given below:

1. A-IV, B-I, C-II, D-III
2. A-I, B-II, C-III, D-IV
3. A-III, B-IV, C-I, D-II
4. A-II, B-III, C-I, D-IV

**Options :**

485584137533. 1  
485584137534. 2  
485584137535. 3  
485584137536. 4

**Question Number : 330 Question Id : 48558434385 Question Type : MCQ Option Shuffling : No Is Question Mandatory : No Calculator : None Response Time : N.A Think Time : N.A Minimum Instruction Time : 0**

**Correct Marks : 5 Wrong Marks : 1**

**Question Key Details :**

Key	Value
-----	-------

Match List I with List II

LIST I		LIST II	
A.	Maulana Abul Kalam	I.	President of Congress Socialist Party
B.	Rajkumari Amrit Kaur	II.	First Education Minister
C.	Acharya Narendra Dev	III.	Political leader from Kerala
D.	A K Gopalan	IV.	First Health Minister

Choose the correct answer from the options given below:

1. A-II, B-I, C-IV, D-III
2. A-I, B-IV, C-III, D-II
3. A-II, B-IV, C-I, D-III
4. A-IV, B-II, C-I, D-III

**Options :**

485584137537. 1  
 485584137538. 2  
 485584137539. 3  
 485584137540. 4

**Question Number : 331 Question Id : 48558434386 Question Type : MCQ Option Shuffling : No Is Question Mandatory : No Calculator : None Response Time : N.A Think Time : N.A Minimum Instruction Time : 0**

**Correct Marks : 5 Wrong Marks : 1**

**Question Key Details :**

Key	Value
Comprehension	MCQ

Choose the wrong statement about Jagjivan Ram from the following options:

1. Member of Parliament since 1952 till his death.
2. Freedom fighter and Congress leader from Bihar
3. Finance Minister in the first Ministry of free India
4. Deputy Prime Minister of India (1977-1979)

**Options :**

485584137541. 1  
 485584137542. 2  
 485584137543. 3  
 485584137544. 4

**Question Number : 332 Question Id : 48558434387 Question Type : MCQ Option Shuffling : No Is Question Mandatory : No Calculator : None Response Time : N.A Think Time : N.A Minimum Instruction Time : 0**

**Correct Marks : 5 Wrong Marks : 1**

**Question Key Details :**

Key	Value
Comprehension	MCQ

Arrange the following Prime Ministers in chronological order of their tenure.

- A. Narendra Modi
- B. Chandra Shekhar
- C. V. P. Singh
- D. P. V. Narsimha Rao
- E. Manmohan Singh

Choose the most appropriate answer from the options given below:

- 1. C, B, D, E, A only
- 2. B, C, D, E, A only
- 3. D, B, C, E, A only
- 4. C, D, B, E, A only

**Options :**

- 485584137545. 1
- 485584137546. 2
- 485584137547. 3
- 485584137548. 4

**Question Number : 333 Question Id : 48558434388 Question Type : MCQ Option Shuffling : No Is Question Mandatory : No Calculator : None Response Time : N.A Think Time : N.A Minimum Instruction Time : 0**

**Correct Marks : 5 Wrong Marks : 1**

**Question Key Details :**

Key	Value
Comprehension	MCQ

UNHCR stands for-

- 1. The United Nations High Commission For Refugees.
- 2. The United National High Commission For Refugees.
- 3. The United Nations High Commission for Refugees.
- 4. The United Nations Health Commission for Refugees.

**Options :**

- 485584137549. 1
- 485584137550. 2
- 485584137551. 3
- 485584137552. 4

**Question Number : 334 Question Id : 48558434389 Question Type : MCQ Option Shuffling : No Is Question Mandatory : No Calculator : None Response Time : N.A Think Time : N.A Minimum Instruction Time : 0**

**Correct Marks : 5 Wrong Marks : 1**

**Question Key Details :**

Key	Value
-----	-------

Who announced the formation of a separate Andhra state in December 1952

1. First Deputy Prime Minister of an independent India
2. First Home Minister of an independent India
3. Chief Minister of Madras
4. First Prime Minister of an independent India

**Options :**

485584137553. 1  
 485584137554. 2  
 485584137555. 3  
 485584137556. 4

**Question Number : 335 Question Id : 48558434390 Question Type : MCQ Option Shuffling : No Is Question Mandatory : No Calculator : None Response Time : N.A Think Time : N.A Minimum Instruction Time : 0**

**Correct Marks : 5 Wrong Marks : 1**

**Question Key Details :**

Key	Value
Comprehension	MCQ

- A. The green revolution resulted in the rise of what is called the middle peasant sections.
- B. After green revolution Uttar Pradesh, Bihar and Madhya Pradesh became agriculturally prosperous.
- C. The green revolution delivered only a moderate agriculture growth and raised the availability of food in the country.
- D. In 1982 the rural development programme called operation flood was started.

Choose the correct answer from the options given below:

1. A and C only
2. A and D only
3. C and D only
4. B and C only

**Options :**

485584137557. 1  
 485584137558. 2  
 485584137559. 3  
 485584137560. 4

**Question Number : 336 Question Id : 48558434391 Question Type : MCQ Option Shuffling : No Is Question Mandatory : No Calculator : None Response Time : N.A Think Time : N.A Minimum Instruction Time : 0**

**Correct Marks : 5 Wrong Marks : 1**

**Question Key Details :**

Key	Value
Comprehension	MCQ

When did the Government of India replaced the Planning Commission with a new institution named "NITI Ayog"

1. 1 January 2014
2. 1 January 2016
3. 1 January 2019
4. 1 January 2015

**Options :**

485584137561. 1  
485584137562. 2  
485584137563. 3  
485584137564. 4

**Question Number : 337 Question Id : 48558434392 Question Type : MCQ Option Shuffling : No Is Question Mandatory : No Calculator : None Response Time : N.A Think Time : N.A Minimum Instruction Time : 0**

**Correct Marks : 5 Wrong Marks : 1**

**Question Key Details :**

Key	Value
Comprehension	MCQ

The idea of Planning in India was drawn from:-

- A. The Bombay Plan
- B. Experiences of the Soviet bloc countries
- C. Gandhian vision of Society
- D. Demand by Peasant Organisation
- E. Self Sufficiency

Choose the correct answer from the options given below:

1. B and D only
2. D and C only
3. A and B only
4. A only

**Options :**

485584137565. 1  
485584137566. 2  
485584137567. 3  
485584137568. 4

**Question Number : 338 Question Id : 48558434393 Question Type : MCQ Option Shuffling : No Is Question Mandatory : No Calculator : None Response Time : N.A Think Time : N.A Minimum Instruction Time : 0**

**Correct Marks : 5 Wrong Marks : 1**

**Question Key Details :**

Key	Value
Comprehension	MCQ

What led to the era of coalition government at the centre after 1989:

1. Due to rise of communist party.
2. Weaking of the congress system.
3. Due to death of Rajiv Gandhi
4. Due to implementation of recommendation by Mandal Commission

**Options :**

485584137569. 1  
485584137570. 2  
485584137571. 3  
485584137572. 4

**Question Number : 339 Question Id : 48558434394 Question Type : MCQ Option Shuffling : No Is Question Mandatory : No Calculator : None Response Time : N.A Think Time : N.A Minimum Instruction Time : 0**

**Correct Marks : 5 Wrong Marks : 1**

**Question Key Details :**

Key	Value
Comprehension	MCQ

Match List I with List II

LIST I Incident		LIST II Year	
A.	Formation of NATO	I.	1947
B.	Cuban Missile Crisis	II.	1956
C.	Truman's Doctrine	III.	1949
D.	Soviet intervention in Hungry	IV.	1962

Choose the correct answer from the options given below:

1. A-III, B-IV, C-II, D-I
2. A-III, B-IV, C-I, D-II
3. A-I, B-II, C-III, D-IV
4. A-II, B-I, C-III, D-IV

**Options :**

485584137573. 1  
485584137574. 2  
485584137575. 3  
485584137576. 4

**Question Number : 340 Question Id : 48558434395 Question Type : MCQ Option Shuffling : No Is Question Mandatory : No Calculator : None Response Time : N.A Think Time : N.A Minimum Instruction Time : 0**

**Correct Marks : 5 Wrong Marks : 1**

**Question Key Details :**

Key	Value
Comprehension	MCQ

Which of the Given leader is not the founding Member of NAM?

1. Josip Broz Tito
2. Jawaharlal Nehru
3. Indira Gandhi
4. Sukarno

**Options :**

485584137577. 1  
485584137578. 2  
485584137579. 3  
485584137580. 4

**Sub-Section Number :** 2  
**Sub-Section Id :** 4855842546  
**Question Shuffling Allowed :** No  
**Is Section Default? :** null

**Question Number : 341 Question Id : 48558434396 Question Type : MCQ Option Shuffling : No Is Question Mandatory : No Calculator : None Response Time : N.A Think Time : N.A Minimum Instruction Time : 0**

**Correct Marks : 5 Wrong Marks : 1**

**Question Key Details :**

Key	Value
Comprehension	Comp1

Read the passage given below to answer

In spite of the many conflicts, the states of South Asia recognize the importance of cooperation and friendly relationship among themselves. The South Asian association for regional Cooperation (SAARC) is a major regional initiative by the South Asian states to evolve cooperation through multilateral means. It began in 1985. Unfortunately, due to persisting political differences, SAARC has not had much success. SAARC members signed the South Asian Free Trade (SAFTA) agreement which promised the formation of a free trade zone for the whole of South Asia.

The SAFTA agreement was signed in 2004 and came into effect on 1 January 2006. India thinks that there are real economic benefits for all SAFTA. Some in India think that SAFTA is not worth the trouble since India already has bilateral agreements with Bhutan, Nepal and Shri Lanka.

What statement is correct about SAARC

1. SAARC began in 1986
2. SAARC is an association of East Asian Nations
3. SAARC members signed South Asian Free Trade (SAFTA) Agreement
4. SAARC is a highly successful regional organisation

**Options :**

485584137581. 1  
485584137582. 2  
485584137583. 3  
485584137584. 4

**Question Number : 342 Question Id : 48558434397 Question Type : MCQ Option Shuffling : No Is Question Mandatory : No Calculator : None Response Time : N.A Think Time : N.A Minimum Instruction Time : 0**

**Correct Marks : 5 Wrong Marks : 1**

**Question Key Details :**

Key	Value
Comprehension	Comp1

Read the passage given below to answer

In spite of the many conflicts, the states of South Asia recognize the importance of cooperation and friendly relationship among themselves. The South Asian association for regional Cooperation (SAARC) is a major regional initiative by the South Asian states to evolve cooperation through multilateral means. It began in 1985. Unfortunately, due to persisting political differences, SAARC has not had much success. SAARC members signed the South Asian Free Trade (SAFTA) agreement which promised the formation of a free trade zone for the whole of South Asia.

The SAFTA agreement was signed in 2004 and came into effect on 1 January 2006. India thinks that there are real economic benefits for all SAFTA. Some in India think that SAFTA is not worth the trouble since India already has bilateral agreements with Bhutan, Nepal and Shri Lanka.

State the years correctly when the agreement SAFTA was signed and came into effect:-

1. 2006 and 2007
2. 2004 and 2005
3. 2004 and 2006
4. 2008 and 2009

**Options :**

485584137585. 1  
485584137586. 2  
485584137587. 3  
485584137588. 4

**Question Number : 343 Question Id : 48558434398 Question Type : MCQ Option Shuffling : No Is Question Mandatory : No Calculator : None Response Time : N.A Think Time : N.A Minimum Instruction Time : 0**

**Correct Marks : 5 Wrong Marks : 1**

**Question Key Details :**

Key	Value
Comprehension	Comp1



Read the passage given below to answer

In spite of the many conflicts, the states of South Asia recognize the importance of cooperation and friendly relationship among themselves. The South Asian association for regional Cooperation (SAARC) is a major regional initiative by the South Asian states to evolve cooperation through multilateral means. It began in 1985. Unfortunately, due to persisting political differences, SAARC has not had much success. SAARC members signed the South Asian Free Trade (SAFTA) agreement which promised the formation of a free trade zone for the whole of South Asia.

The SAFTA agreement was signed in 2004 and came into effect on 1 January 2006. India thinks that there are real economic benefits for all SAFTA. Some in India think that SAFTA is not worth the trouble since India already has bilateral agreements with Bhutan, Nepal and Shri Lanka.

Complete the following:

SAARC has been evolved for cooperation through which of the following means

1. Multilateral
2. Bilateral
3. Unilateral
4. Tripartite

**Options :**

- 485584137589. 1
- 485584137590. 2
- 485584137591. 3
- 485584137592. 4

**Question Number : 344 Question Id : 48558434399 Question Type : MCQ Option Shuffling : No Is Question Mandatory : No Calculator : None Response Time : N.A Think Time : N.A Minimum Instruction Time : 0**

**Correct Marks : 5 Wrong Marks : 1**

**Question Key Details :**

Key	Value
Comprehension	Comp1

Read the passage given below to answer

In spite of the many conflicts, the states of South Asia recognize the importance of cooperation and friendly relationship among themselves. The South Asian association for regional Cooperation (SAARC) is a major regional initiative by the South Asian states to evolve cooperation through multilateral means. It began in 1985. Unfortunately, due to persisting political differences, SAARC has not had much success. SAARC members signed the South Asian Free Trade (SAFTA) agreement which promised the formation of a free trade zone for the whole of South Asia.

The SAFTA agreement was signed in 2004 and came into effect on 1 January 2006. India thinks that there are real economic benefits for all SAFTA. Some in India think that SAFTA is not worth the trouble since India already has bilateral agreements with Bhutan, Nepal and Shri Lanka.

The full form of SAARC is

1. South Asian Amalgamation for Regional Cooperation
2. South Asian Association for Regional Cooperation
3. South African Association for Regional Cooperation
4. South Asian Association for Research and Cooperation

**Options :**

- 485584137593. 1
- 485584137594. 2
- 485584137595. 3
- 485584137596. 4

**Question Number : 345 Question Id : 48558434400 Question Type : MCQ Option Shuffling : No Is Question Mandatory : No Calculator : None Response Time : N.A Think Time : N.A Minimum Instruction Time : 0**

**Correct Marks : 5 Wrong Marks : 1**

**Question Key Details :**

Key	Value
Comprehension	Compl

Read the passage given below to answer

In spite of the many conflicts, the states of South Asia recognize the importance of cooperation and friendly relationship among themselves. The South Asian association for regional Cooperation (SAARC) is a major regional initiative by the South Asian states to evolve cooperation through multilateral means. It began in 1985. Unfortunately, due to persisting political differences, SAARC has not had much success. SAARC members signed the South Asian Free Trade (SAFTA) agreement which promised the formation of a free trade zone for the whole of South Asia.

The SAFTA agreement was signed in 2004 and came into effect on 1 January 2006. India thinks that there are real economic benefits for all SAFTA. Some in India think that SAFTA is not worth the trouble since India already has bilateral agreements with Bhutan, Nepal and Shri Lanka.

The following agreement promised the formation of a free trade zone for the whole of South Asia

1. WTO
2. BAFTA
3. SAARC
4. SAFTA

**Options :**

- 485584137597. 1
- 485584137598. 2
- 485584137599. 3
- 485584137600. 4

**Sub-Section Number :**

3

**Sub-Section Id :**

4855842547

Question Shuffling Allowed :

No

Is Section Default? :

null

Question Number : 346 Question Id : 48558434401 Question Type : MCQ Option Shuffling : No Is Question Mandatory : No Calculator : None Response Time : N.A Think Time : N.A Minimum Instruction Time : 0

Correct Marks : 5 Wrong Marks : 1

Question Key Details :

Key	Value
Comprehension	Comp2

Globalisation is a multi-dimensional concept. It has political, economic and cultural manifestations, and these must be adequately distinguished. The impact of globalisation is vastly uneven. It affects some societies more than others. It is important to avoid drawing general conclusions about the impact of globalisation without paying sufficient attention to specific contexts. Globalisation as a concept fundamentally deals with flows. These flows could be of various kinds- ideas moving from one part of the world to another, capital shunted between two or more places, commodities being traded across borders, and people moving in search of better livelihoods to different parts of the world.

Globalisation is a most dimensional concept because it deals with:

1. Political, economic, cultural etc aspects.
2. Democratic countries only
3. Economic Aspect
4. MNC's

Options :

485584137601. 1

485584137602. 2

485584137603. 3

485584137604. 4

Question Number : 347 Question Id : 48558434402 Question Type : MCQ Option Shuffling : No Is Question Mandatory : No Calculator : None Response Time : N.A Think Time : N.A Minimum Instruction Time : 0

Correct Marks : 5 Wrong Marks : 1

Question Key Details :

Key	Value
Comprehension	Comp2

Globalisation is a multi-dimensional concept. It has political, economic and cultural manifestations, and these must be adequately distinguished. The impact of globalisation is vastly uneven. It affects some societies more than others. It is important to avoid drawing general conclusions about the impact of globalisation without paying sufficient attention to specific contexts. Globalisation as a concept fundamentally deals with flows. These flows could be of various kinds- ideas moving from one part of the world to another, capital shunted between two or more places, commodities being traded across borders, and people moving in search of better livelihoods to different parts of the world.

It is important to avoid a general conclusion about Globalisation because:-

1. It's impact will vary due to different contexts.
2. There are different winds of Globalisation.
3. It is not a world-wide phenomenon.
4. Only the developed world is involved.

**Options :**

- 485584137605. 1
- 485584137606. 2
- 485584137607. 3
- 485584137608. 4

**Question Number : 348 Question Id : 48558434403 Question Type : MCQ Option Shuffling : No Is Question Mandatory : No Calculator : None Response Time : N.A Think Time : N.A Minimum Instruction Time : 0**

**Correct Marks : 5 Wrong Marks : 1**

**Question Key Details :**

Key	Value
Comprehension	Comp2

Globalisation is a multi-dimensional concept. It has political, economic and cultural manifestations, and these must be adequately distinguished. The impact of globalisation is vastly uneven. It affects some societies more than others. It is important to avoid drawing general conclusions about the impact of globalisation without paying sufficient attention to specific contexts. Globalisation as a concept fundamentally deals with flows. These flows could be of various kinds- ideas moving from one part of the world to another, capital shunted between two or more places, commodities being traded across borders, and people moving in search of better livelihoods to different parts of the world.

The process of Globalisation

- A. affects almost every society.
- B. involves flow of various kinds.
- C. Does not deal with Individual.
- D. Wherein commodities cannot be traded across borders.
- E. impact varies on the basis of context.

Choose the correct answer from the options given below:

1. A, B, C only
2. A, B, E only
3. B, C, E only
4. A, D, E only

**Options :**

- 485584137609. 1
- 485584137610. 2
- 485584137611. 3

**Question Number : 349 Question Id : 48558434404 Question Type : MCQ Option Shuffling : No Is Question Mandatory : No Calculator : None Response Time : N.A Think Time : N.A Minimum Instruction Time : 0**

**Correct Marks : 5 Wrong Marks : 1**

**Question Key Details :**

Key	Value
Comprehension	Comp2

Globalisation is a multi-dimensional concept. It has political, economic and cultural manifestations, and these must be adequately distinguished. The impact of globalisation is vastly uneven. It affects some societies more than others. It is important to avoid drawing general conclusions about the impact of globalisation without paying sufficient attention to specific contexts. Globalisation as a concept fundamentally deals with flows. These flows could be of various kinds- ideas moving from one part of the world to another, capital shunted between two or more places, commodities being traded across borders, and people moving in search of better livelihoods to different parts of the world.

- A. Due to Globalisation, the states become borderless.
- B. Due to Globalisation, the borders have become blurred.
- C. Due to Globalisation, borders doesn't get affected.
- D. Due to Globalisation, there is flow commodities and goods.
- E. Due to Globalisation, there is flow capital and people.

Choose the correct answer from the options given below:

- 1. A, B, D, E only
- 2. A, B, C, D only
- 3. B, C, D, E only
- 4. A, C, D, E only

**Options :**

- 485584137613. 1
- 485584137614. 2
- 485584137615. 3
- 485584137616. 4

**Question Number : 350 Question Id : 48558434405 Question Type : MCQ Option Shuffling : No Is Question Mandatory : No Calculator : None Response Time : N.A Think Time : N.A Minimum Instruction Time : 0**

**Correct Marks : 5 Wrong Marks : 1**

**Question Key Details :**

Key	Value
Comprehension	Comp2

Globalisation is a multi-dimensional concept. It has political, economic and cultural manifestations, and these must be adequately distinguished. The impact of globalisation is vastly uneven. It affects some societies more than others. It is important to avoid drawing general conclusions about the impact of globalisation without paying sufficient attention to specific contexts. Globalisation as a concept fundamentally deals with flows. These flows could be of various kinds- ideas moving from one part of the world to another, capital shunted between two or more places, commodities being traded across borders, and people moving in search of better livelihoods to different parts of the world.

Choose the incorrect from the following:-

1. World Bank is an international organisation.
2. World Bank provides loan to member-countries as well as non-member countries.
3. World Bank influences the economic policy of the developing countries.
4. World Bank works for human development, agriculture and rural development, environment protection, governance, to name a few.

**Options :**

485584137617. 1  
485584137618. 2  
485584137619. 3  
485584137620. 4

## Sanskrit Lang

Group Number :	13
Group Id :	485584780
Group Maximum Duration :	45
Group Minimum Duration :	45
Show Attended Group? :	No
Edit Attended Group? :	No
Break time :	0
Group Marks :	200
Is this Group for Examiner? :	No
Examiner permission :	Can't View
Show Progress Bar? :	No

## Sanskrit Lang

Section Id :	485584898
Section Number :	1
Section type :	Online
Mandatory or Optional :	Mandatory
Number of Questions :	50
Number of Questions to be attempted :	40
Section Marks :	200
Enable Mark as Answered Mark for Review and Clear Response :	Yes
Maximum Instruction Time :	0
Sub-Section Number :	1

**Sub-Section Id :** 4855842548  
**Question Shuffling Allowed :** No  
**Is Section Default? :** null  
**Sub-Section Number :** 2  
**Sub-Section Id :** 4855842549  
**Question Shuffling Allowed :** No  
**Is Section Default? :** null  
**Sub-Section Number :** 3  
**Sub-Section Id :** 4855842550  
**Question Shuffling Allowed :** No  
**Is Section Default? :** null  
**Sub-Section Number :** 4  
**Sub-Section Id :** 4855842551  
**Question Shuffling Allowed :** Yes  
**Is Section Default? :** null

## Sociology

**Group Number :** 14  
**Group Id :** 485584781  
**Group Maximum Duration :** 45  
**Group Minimum Duration :** 45  
**Show Attended Group? :** No  
**Edit Attended Group? :** No  
**Break time :** 0  
**Group Marks :** 200  
**Is this Group for Examiner? :** No  
**Examiner permission :** Cant View  
**Show Progress Bar? :** No

## Sociology

**Section Id :** 485584899  
**Section Number :** 1  
**Section type :** Online  
**Mandatory or Optional :** Mandatory  
**Number of Questions :** 50  
**Number of Questions to be attempted :** 40  
**Section Marks :** 200  
**Enable Mark as Answered Mark for Review and Clear Response :** Yes  
**Maximum Instruction Time :** 0  
**Sub-Section Number :** 1  
**Sub-Section Id :** 4855842552  
**Question Shuffling Allowed :** Yes  
**Is Section Default? :** null

**Question Number : 351 Question Id : 48558434506 Question Type : MCQ Option Shuffling : No Is Question Mandatory : No Calculator : None Response Time : N.A Think Time : N.A Minimum Instruction Time : 0**

**Correct Marks : 5 Wrong Marks : 1**

**Question Key Details :**

Key	Value
-----	-------

Comprehension	MCQ
---------------	-----

Wrights milla is a well known:

1. French sociologist
2. American sociologist
3. German sociologist
4. British sociologist

**Options :**

- 485584138021. 1
- 485584138022. 2
- 485584138023. 3
- 485584138024. 4

**Question Number : 352 Question Id : 48558434507 Question Type : MCQ Option Shuffling : No Is Question Mandatory : No Calculator : None Response Time : N.A Think Time : N.A Minimum Instruction Time : 0**

**Correct Marks : 5 Wrong Marks : 1**

**Question Key Details :**

Key	Value
Comprehension	MCQ

The concept of 'failure of entitlements has been given by:

1. Amartya Sen
2. Emile Durkheim
3. Abhijit Banerjee
4. Thomas Robert Malthus

**Options :**

- 485584138025. 1
- 485584138026. 2
- 485584138027. 3
- 485584138028. 4

**Question Number : 353 Question Id : 48558434508 Question Type : MCQ Option Shuffling : No Is Question Mandatory : No Calculator : None Response Time : N.A Think Time : N.A Minimum Instruction Time : 0**

**Correct Marks : 5 Wrong Marks : 1**

**Question Key Details :**

Key	Value
Comprehension	MCQ



A systematic study of population is called

1. Polygraphy
2. Sesmiography
3. Oceanography
4. Demography

**Options :**

485584138029. 1  
485584138030. 2  
485584138031. 3  
485584138032. 4

**Question Number : 354 Question Id : 48558434509 Question Type : MCQ Option Shuffling : No Is Question Mandatory : No Calculator : None Response Time : N.A Think Time : N.A Minimum Instruction Time : 0**

**Correct Marks : 5 Wrong Marks : 1**

**Question Key Details :**

Key	Value
Comprehension	MCQ

Match List I with List II

LIST I		LIST II	
A.	Population momentum	I.	Voluntary action to reduce population growth
B.	Demographic Divident	II.	Large cohort of women at reproduct age
C.	Population pyramid	III.	Group data in term of gender and age
D.	Preventive check	IV.	Higher population of workers compared to non-workers

Choose the correct answer from the options given below:

1. A-III, B-I, C-IV, D-II
2. A-II, B-IV, C-III, D-I
3. A-I, B-III, C-II, D-IV
4. A-IV, B-II, C-I, D-III

**Options :**

485584138033. 1  
485584138034. 2  
485584138035. 3  
485584138036. 4

**Question Number : 355 Question Id : 48558434510 Question Type : MCQ Option Shuffling : No Is Question Mandatory : No Calculator : None Response Time : N.A Think Time : N.A Minimum Instruction Time : 0**

Correct Marks : 5 Wrong Marks : 1

Question Key Details :

Key	Value
Comprehension	MCQ

Match List I with List II

LIST I		LIST II	
A.	Welth of Nation	I.	Mask Weber
B.	Capitalism	II.	Alfred Gell
C.	Status symbol	III.	Adam Smith
D.	Heirarchial social group	IV.	Karl Mark

Choose the correct answer from the options given below:

1. A-III, B-I, C-II, D-IV
2. A-III, B-II, C-I, D-IV
3. A-III, B-IV, C-I, D-II
4. A-III, B-I, C-IV, D-II

Options :

- 485584138037. 1
- 485584138038. 2
- 485584138039. 3
- 485584138040. 4

Question Number : 356 Question Id : 48558434511 Question Type : MCQ Option Shuffling : No Is Question Mandatory : No Calculator : None Response Time : N.A Think Time : N.A Minimum Instruction Time : 0

Correct Marks : 5 Wrong Marks : 1

Question Key Details :

Key	Value
Comprehension	MCQ

The criteria for inclusion in civil society is that the organisation should lie:

1. Commercial
2. State controlled
3. Non-State controlled
4. Profit making

Options :

- 485584138041. 1
- 485584138042. 2
- 485584138043. 3
- 485584138044. 4

**Question Number : 357 Question Id : 48558434512 Question Type : MCQ Option Shuffling : No Is Question Mandatory : No Calculator : None Response Time : N.A Think Time : N.A Minimum Instruction Time : 0**

**Correct Marks : 5 Wrong Marks : 1**

**Question Key Details :**

Key	Value
Comprehension	MCQ

Match List I with List II

LIST I		LIST II	
A.	Kaka Kalelkar commission	I.	1990
B.	Brahmo Samaj	II.	1828
C.	Karachi session of Indian National Congress	III.	1953
D.	B.P.Mandal commission	IV.	1931

Choose the correct answer from the options given below:

1. A-III, B-II, C-IV, D-I
2. A-IV, B-III, C-II, D-I
3. A-II, B-III, C-I, D-IV
4. A-I, B-II, C-III, D-IV

**Options :**

- 485584138045. 1
- 485584138046. 2
- 485584138047. 3
- 485584138048. 4

**Question Number : 358 Question Id : 48558434513 Question Type : MCQ Option Shuffling : No Is Question Mandatory : No Calculator : None Response Time : N.A Think Time : N.A Minimum Instruction Time : 0**

**Correct Marks : 5 Wrong Marks : 1**

**Question Key Details :**

Key	Value
Comprehension	MCQ

Arrange the following statement in correct sequence of events

- A. Effort to re-organise into Ethnic-Linguistic states
- B. Indian state continued with British-Indian arrangement of presidency
- C. Vigorous moments among Maratha and Kannada speakers in Bombay and Madras presidency
- D. Pakistan was divided between Urdu and Punjabi speakers in the west and Bengali speakers in the east
- E. Formation of SRC for final approval on Linguistic states

Choose the correct answer from the option given below:

- 1. A, B, E, C, D
- 2. B, A, C, E, D
- 3. B, C, A, E, D
- 4. A, D, C, E, B

**Options :**

- 485584138049. 1
- 485584138050. 2
- 485584138051. 3
- 485584138052. 4

**Question Number : 359 Question Id : 48558434514 Question Type : MCQ Option Shuffling : No Is Question Mandatory : No Calculator : None Response Time : N.A Think Time : N.A Minimum Instruction Time : 0**

**Correct Marks : 5 Wrong Marks : 1**

**Question Key Details :**

Key	Value
Comprehension	MCQ

The most infamous pandemic was 'Spanish flue'which occurred in the year-

- 1. 2020
- 2. 1957
- 3. 1918
- 4. 1947\

**Options :**

- 485584138053. 1
- 485584138054. 2
- 485584138055. 3
- 485584138056. 4

**Question Number : 360 Question Id : 48558434515 Question Type : MCQ Option Shuffling : No Is Question Mandatory : No Calculator : None Response Time : N.A Think Time : N.A Minimum Instruction Time : 0**

**Correct Marks : 5 Wrong Marks : 1**

**Question Key Details :**

Key	Value
Comprehension	MCQ

Which article of the constitution of India states the following

"No citizen shall be denied admission into any educational institution, maintained by the state or received out of state funds on grounds only of religion, race, caste, language or any of them"

1. Article 29(1)
2. Article 29(2)
3. Article 30(1)
4. Article 30(2)

**Options :**

- 485584138057. 1
- 485584138058. 2
- 485584138059. 3
- 485584138060. 4

**Question Number : 361 Question Id : 48558434516 Question Type : MCQ Option Shuffling : No Is Question Mandatory : No Calculator : None Response Time : N.A Think Time : N.A Minimum Instruction Time : 0**

**Correct Marks : 5 Wrong Marks : 1**

**Question Key Details :**

Key	Value
Comprehension	MCQ

Who considered exclusive nationalism to be an evil?

1. J.Nehru
2. R. Tagor
3. B.R. Ambedkar
4. Bhagat Singh

**Options :**

- 485584138061. 1
- 485584138062. 2
- 485584138063. 3
- 485584138064. 4

**Question Number : 362 Question Id : 48558434517 Question Type : MCQ Option Shuffling : No Is Question Mandatory : No Calculator : None Response Time : N.A Think Time : N.A Minimum Instruction Time : 0**

**Correct Marks : 5 Wrong Marks : 1**

**Question Key Details :**

Key	Value
Comprehension	MCQ

Match List I with List II

LIST I		LIST II	
A.	Zamindari System	I.	Benami transfer
B.	Rayatwari System	II.	Radical restructuring of agrarian structure in Kerala+Bengal
C.	Tenancy abolition and regulation	III.	Less burden of taxation, more proporsion
D.	Land Ceiling	IV.	Agricultural product stagnated/deliver

Choose the correct answer from the options given below:

1. A-III, B-I, C-IV, D-II
2. A-IV, B-II, C-I, D-III
3. A-I, B-II, C-III, D-IV
4. A-IV, B-III, C-II, D-I

**Options :**

485584138065. 1  
485584138066. 2  
485584138067. 3  
485584138068. 4

**Question Number : 363 Question Id : 48558434518 Question Type : MCQ Option Shuffling : No Is Question Mandatory : No Calculator : None Response Time : N.A Think Time : N.A Minimum Instruction Time : 0**

**Correct Marks : 5 Wrong Marks : 1**

**Question Key Details :**

Key	Value
Comprehension	MCQ

Strike out incorrect statement about Panchayati Raj:-

1. Panchayati Raj translates to "Governance by five individuals"
2. At the base of the structure stands "Gram Sabha"
3. The 74<sup>th</sup> Amanedment provided a three-tier system of Panchayati Raj
4. Election to these bodies are conducted every five years.

**Options :**

485584138069. 1  
485584138070. 2  
485584138071. 3  
485584138072. 4

**Question Number : 364 Question Id : 48558434519 Question Type : MCQ Option Shuffling : No Is Question Mandatory : No Calculator : None Response Time : N.A Think Time : N.A Minimum Instruction Time : 0**

**Correct Marks : 5 Wrong Marks : 1**

**Question Key Details :**

Key	Value
Comprehension	MCQ

Read the statements given below and choose the option with the correct sequence of events:

- A. Green revolution introduced in the dry and the semi-arid regions of India 2<sup>nd</sup> phase
- B. New technology introduced
- C. Displacement of service caste groups.
- D. Increasing Commercialisation

Choose the correct answer from the option given below:

- 1. A, B, C, D
- 2. B, C, A, D
- 3. D, C, A, B
- 4. B, C, D, A

**Options :**

- 485584138073. 1
- 485584138074. 2
- 485584138075. 3
- 485584138076. 4

**Question Number : 365 Question Id : 48558434520 Question Type : MCQ Option Shuffling : No Is Question Mandatory : No Calculator : None Response Time : N.A Think Time : N.A Minimum Instruction Time : 0**

**Correct Marks : 5 Wrong Marks : 1**

**Question Key Details :**

Key	Value
Comprehension	MCQ

Extended working hours are Legitimesed by the common management, Which in theory, gives the employee freedom to choose his/her working hours. Give the common nomenclature of this process.

- 1. Own-Time
- 2. Flexi-Time
- 3. Me-Time
- 4. Work-From-Home-Time

**Options :**

- 485584138077. 1
- 485584138078. 2
- 485584138079. 3
- 485584138080. 4

**Question Number : 366 Question Id : 48558434521 Question Type : MCQ Option Shuffling : No Is Question Mandatory : No Calculator : None Response Time : N.A Think Time : N.A Minimum Instruction Time : 0**

**Correct Marks : 5 Wrong Marks : 1**

**Question Key Details :**

Key	Value
Comprehension	MCQ

Disinvestment means:

1. Svaging in the bank
2. Privatisation of public sector or Government companies
3. Open market for global citizens
4. Acquiring small and medium industries

**Options :**

- 485584138081. 1
- 485584138082. 2
- 485584138083. 3
- 485584138084. 4

**Question Number : 367 Question Id : 48558434522 Question Type : MCQ Option Shuffling : No Is Question Mandatory : No Calculator : None Response Time : N.A Think Time : N.A Minimum Instruction Time : 0**

**Correct Marks : 5 Wrong Marks : 1**

**Question Key Details :**

Key	Value
Comprehension	MCQ

Arrange the following process in chronological order:

- A. Manufacturer branding and selling
- B. Workers rolling the leaves
- C. Plucking of tendu leaves
- D. Selling tendu leaves by contractor to government
- E. Auctions leaves of factory owners

Choose the correct answer from the options given below:

1. C, D, E, B, A
2. C, D, E, A, B
3. C, D, B, A, E
4. C, D, A, E, B

**Options :**

- 485584138085. 1
- 485584138086. 2
- 485584138087. 3
- 485584138088. 4



Question Number : 368 Question Id : 48558434523 Question Type : MCQ Option Shuffling : No Is Question Mandatory : No Calculator : None Response Time : N.A Think Time : N.A Minimum Instruction Time : 0

Correct Marks : 5 Wrong Marks : 1

Question Key Details :

Key	Value
Comprehension	MCQ

Who has argued nation as an imagined community?

1. J. Gutenleerg
2. Raja Rammohan Roy
3. Vidyasagar
4. Benedict Anderson

Options :

485584138089. 1  
485584138090. 2  
485584138091. 3  
485584138092. 4

Question Number : 369 Question Id : 48558434524 Question Type : MCQ Option Shuffling : No Is Question Mandatory : No Calculator : None Response Time : N.A Think Time : N.A Minimum Instruction Time : 0

Correct Marks : 5 Wrong Marks : 1

Question Key Details :

Key	Value
Comprehension	MCQ

Match List I with List II

LIST I		LIST II	
Nature of work		Industry	
A.	Working conditions	I.	Bidi making, zari making
B.	Recruitment	II.	The mines Act 1952
C.	Management	III.	Jobless
D.	Home based work	IV.	Taylorism

Choose the correct answer from the options given below:

1. A-I, B-II, C-III, D-IV
2. A-III, B-IV, C-I, D-II
3. A-IV, B-I, C-II, D-III
4. A-II, B-III, C-IV, D-I

Options :

485584138093. 1  
485584138094. 2  
485584138095. 3

**Question Number : 370 Question Id : 48558434525 Question Type : MCQ Option Shuffling : No Is Question Mandatory : No Calculator : None Response Time : N.A Think Time : N.A Minimum Instruction Time : 0**

**Correct Marks : 5 Wrong Marks : 1**

**Question Key Details :**

Key	Value
Comprehension	MCQ

bidi workers are:

- A. Workers who substitute for regular permanent workers.
- B. Contract workers.
- C. Permanent workers.
- D. Workers who receive equal status and security like permanent workers

Choose the correct answer from the options given below:

- 1. C, D Only
- 2. A, B Only
- 3. A, D Only
- 4. B, D Only

**Options :**

- 485584138097. 1
- 485584138098. 2
- 485584138099. 3
- 485584138100. 4

**Question Number : 371 Question Id : 48558434526 Question Type : MCQ Option Shuffling : No Is Question Mandatory : No Calculator : None Response Time : N.A Think Time : N.A Minimum Instruction Time : 0**

**Correct Marks : 5 Wrong Marks : 1**

**Question Key Details :**

Key	Value
Comprehension	MCQ

The critics of Malthosian theory argued that poverty and Starvation were caused by

- A. Unequal distribution of economic resources
- B. Population growth
- C. injust social system
- D. Privileged minority

Choose the correct answer from the options given below:

- 1. B & D Only
- 2. B & C Only
- 3. A & C Only
- 4. A & B Only

**Options :**

- 485584138101. 1
- 485584138102. 2
- 485584138103. 3
- 485584138104. 4

**Question Number : 372 Question Id : 48558434527 Question Type : MCQ Option Shuffling : No Is Question Mandatory : No Calculator : None Response Time : N.A Think Time : N.A Minimum Instruction Time : 0**

**Correct Marks : 5 Wrong Marks : 1**

**Question Key Details :**

Key	Value
Comprehension	MCQ

The term used when individual are required to marry outside his/her group:

- 1. Monogamy
- 2. Polygamy
- 3. Endogamy
- 4. Exogamy

**Options :**

- 485584138105. 1
- 485584138106. 2
- 485584138107. 3
- 485584138108. 4

**Question Number : 373 Question Id : 48558434528 Question Type : MCQ Option Shuffling : No Is Question Mandatory : No Calculator : None Response Time : N.A Think Time : N.A Minimum Instruction Time : 0**

**Correct Marks : 5 Wrong Marks : 1**

**Question Key Details :**

Key	Value
Comprehension	MCQ

Permanent traits in tribes does not include:

1. region
2. Religion
3. language
4. Ecological Habit

**Options :**

485584138109. 1  
485584138110. 2  
485584138111. 3  
485584138112. 4

**Question Number : 374 Question Id : 48558434529 Question Type : MCQ Option Shuffling : No Is Question Mandatory : No Calculator : None Response Time : N.A Think Time : N.A Minimum Instruction Time : 0**

**Correct Marks : 5 Wrong Marks : 1**

**Question Key Details :**

Key	Value
Comprehension	MCQ

The most common features of caste are:

- A. It involves strict rule about marriage.
- B. It involves rules about food and food sharing
- C. It is a matter of choice.
- D. Castes involved subdivisions within themselves.

Choose the correct answer from the options given below:

1. A, B & D Only
2. B, C & D Only
3. A, C & D Only
4. A, B & C Only

**Options :**

485584138113. 1  
485584138114. 2  
485584138115. 3  
485584138116. 4

**Question Number : 375 Question Id : 48558434530 Question Type : MCQ Option Shuffling : No Is Question Mandatory : No Calculator : None Response Time : N.A Think Time : N.A Minimum Instruction Time : 0**

**Correct Marks : 5 Wrong Marks : 1**

**Question Key Details :**

Key	Value
Comprehension	MCQ

Who coined the term 'Status Symbol'?

1. T. K. Domenn
2. Levi Strauss
3. Emile Durkheim
4. Max Weber

**Options :**

- 485584138117. 1
- 485584138118. 2
- 485584138119. 3
- 485584138120. 4

**Question Number : 376 Question Id : 48558434531 Question Type : MCQ Option Shuffling : No Is Question Mandatory : No Calculator : None Response Time : N.A Think Time : N.A Minimum Instruction Time : 0**

**Correct Marks : 5 Wrong Marks : 1**

**Question Key Details :**

Key	Value
Comprehension	MCQ

Which tribe is matrilineal?

1. Bakarwal
2. Khasi
3. Bhil
4. Santhal

**Options :**

- 485584138121. 1
- 485584138122. 2
- 485584138123. 3
- 485584138124. 4

**Question Number : 377 Question Id : 48558434532 Question Type : MCQ Option Shuffling : No Is Question Mandatory : No Calculator : None Response Time : N.A Think Time : N.A Minimum Instruction Time : 0**

**Correct Marks : 5 Wrong Marks : 1**

**Question Key Details :**

Key	Value
Comprehension	MCQ

Indian parliamentary and Legal system is based on:

1. French Model
2. Canadian Model
3. British Model
4. Australian Model

**Options :**

- 485584138125. 1
- 485584138126. 2
- 485584138127. 3
- 485584138128. 4

**Question Number : 378 Question Id : 48558434533 Question Type : MCQ Option Shuffling : No Is Question Mandatory : No Calculator : None Response Time : N.A Think Time : N.A Minimum Instruction Time : 0**

**Correct Marks : 5 Wrong Marks : 1**

**Question Key Details :**

Key	Value
Comprehension	MCQ

Social inequality and exclusion are social because

- A. They are structured
- B. They are systematic
- C. They are unstructured
- D. They are non systematic

Choose the correct answer from the options given below:

1. A & D Only
2. B & C Only
3. A & B Only
4. C & D Only

**Options :**

- 485584138129. 1
- 485584138130. 2
- 485584138131. 3
- 485584138132. 4

**Question Number : 379 Question Id : 48558434534 Question Type : MCQ Option Shuffling : No Is Question Mandatory : No Calculator : None Response Time : N.A Think Time : N.A Minimum Instruction Time : 0**

**Correct Marks : 5 Wrong Marks : 1**

**Question Key Details :**

Key	Value
Comprehension	MCQ

In 1993 Supreme Court held that Right to Information is part of and incidental to The Right of expression under:

1. Article 19 (1)(A)
2. Article 17
3. Article 20 (1)(B)
4. Article 15

**Options :**

- 485584138133. 1
- 485584138134. 2
- 485584138135. 3
- 485584138136. 4

**Question Number : 380 Question Id : 48558434535 Question Type : MCQ Option Shuffling : No Is Question Mandatory : No Calculator : None Response Time : N.A Think Time : N.A Minimum Instruction Time : 0**

**Correct Marks : 5 Wrong Marks : 1**

**Question Key Details :**

Key	Value
Comprehension	MCQ

Arrange the following in order of the development of Indian women's struggle for equality.

- A. Raja Rammohan Roy undertook the campaign against Sati
- B. Law became the major site for reform against violence
- C. Karachi Session of INC committed itself to women's equality
- D. Dayanand saraswati stood for women's education based on religious principles

Choose the correct answer from the options given below:

1. D, A, C, B
2. B, D, C, A
3. A, B, C, D
4. A, D, C, B

**Options :**

- 485584138137. 1
- 485584138138. 2
- 485584138139. 3
- 485584138140. 4

**Question Number : 381 Question Id : 48558434536 Question Type : MCQ Option Shuffling : No Is Question Mandatory : No Calculator : None Response Time : N.A Think Time : N.A Minimum Instruction Time : 0**

**Correct Marks : 5 Wrong Marks : 1**

**Question Key Details :**

Key	Value
Comprehension	MCQ

Arrange the following in chronological sequence (from oldest to newest events)

- A. Champaran Satyagraha
- B. Bihar Provincial Kisan Sabha
- C. Deccan riots
- D. Tebhaga Movement
- E. Bardoli Satyagraha

Choose the correct answer from the options given below:

- 1. D, B, C, A, E
- 2. C, A, E, B, D
- 3. B, D, A, C, E
- 4. A, B, C, D, E

**Options :**

- 485584138141. 1
- 485584138142. 2
- 485584138143. 3
- 485584138144. 4

**Question Number : 382 Question Id : 48558434537 Question Type : MCQ Option Shuffling : No Is Question Mandatory : No Calculator : None Response Time : N.A Think Time : N.A Minimum Instruction Time : 0**

**Correct Marks : 5 Wrong Marks : 1**

**Question Key Details :**

Key	Value
Comprehension	MCQ

Sanskritization is a process of

- 1. Upward mobility
- 2. Downward mobility
- 3. Intra-generational mobility
- 4. Horizontal mobility

**Options :**

- 485584138145. 1
- 485584138146. 2
- 485584138147. 3
- 485584138148. 4

**Question Number : 383 Question Id : 48558434538 Question Type : MCQ Option Shuffling : No Is Question Mandatory : No Calculator : None Response Time : N.A Think Time : N.A Minimum Instruction Time : 0**

**Correct Marks : 5 Wrong Marks : 1**

**Question Key Details :**

Key	Value
Comprehension	MCQ



Out of the following which is the dominant caste in Andhra Pradesh?

1. Lingayats
2. Kammas
3. Jat
4. Sikhs

**Options :**

485584138149. 1  
485584138150. 2  
485584138151. 3  
485584138152. 4

**Question Number : 384 Question Id : 48558434539 Question Type : MCQ Option Shuffling : No Is Question Mandatory : No Calculator : None Response Time : N.A Think Time : N.A Minimum Instruction Time : 0**

**Correct Marks : 5 Wrong Marks : 1**

**Question Key Details :**

Key	Value
Comprehension	MCQ

In the decocratic form of government who are the key actors?

1. Industrialists
2. Political Parties
3. People
4. NGO's

**Options :**

485584138153. 1  
485584138154. 2  
485584138155. 3  
485584138156. 4

**Question Number : 385 Question Id : 48558434540 Question Type : MCQ Option Shuffling : No Is Question Mandatory : No Calculator : None Response Time : N.A Think Time : N.A Minimum Instruction Time : 0**

**Correct Marks : 5 Wrong Marks : 1**

**Question Key Details :**

Key	Value
Comprehension	MCQ

Which amendment provided a three-tier system of Panchayati Raj for all states having a population of over twenty lakh.

1. The 92nd Amendment
2. The 73<sup>rd</sup> Amendment
3. The 56<sup>th</sup> Amendment
4. The 83<sup>rd</sup> Amendment

**Options :**

- 485584138157. 1
- 485584138158. 2
- 485584138159. 3
- 485584138160. 4

**Question Number : 386 Question Id : 48558434541 Question Type : MCQ Option Shuffling : No Is Question Mandatory : No Calculator : None Response Time : N.A Think Time : N.A Minimum Instruction Time : 0**

**Correct Marks : 5 Wrong Marks : 1**

**Question Key Details :**

Key	Value
Comprehension	MCQ

An economy where the workforce involved in Design, Development, Technology, Marketing, Sales and Services is known as:-

1. Knowledge economy
2. Developed economy
3. Developing
4. Electronic economy

**Options :**

- 485584138161. 1
- 485584138162. 2
- 485584138163. 3
- 485584138164. 4

**Question Number : 387 Question Id : 48558434542 Question Type : MCQ Option Shuffling : No Is Question Mandatory : No Calculator : None Response Time : N.A Think Time : N.A Minimum Instruction Time : 0**

**Correct Marks : 5 Wrong Marks : 1**

**Question Key Details :**

Key	Value
Comprehension	MCQ

India's first long running soap opera was:

1. Hum log
2. Buniyaad
3. Ramayana
4. Mahabharata

**Options :**

485584138165. 1  
485584138166. 2  
485584138167. 3  
485584138168. 4

**Question Number : 388 Question Id : 48558434543 Question Type : MCQ Option Shuffling : No Is Question Mandatory : No Calculator : None Response Time : N.A Think Time : N.A Minimum Instruction Time : 0**

**Correct Marks : 5 Wrong Marks : 1**

**Question Key Details :**

Key	Value
Comprehension	MCQ

Who wrote Unquite Woods?

1. Karl Marx
2. Ramchandra Guha
3. Dipanker Gupta
4. M.N.Srinivas

**Options :**

485584138169. 1  
485584138170. 2  
485584138171. 3  
485584138172. 4

**Question Number : 389 Question Id : 48558434544 Question Type : MCQ Option Shuffling : No Is Question Mandatory : No Calculator : None Response Time : N.A Think Time : N.A Minimum Instruction Time : 0**

**Correct Marks : 5 Wrong Marks : 1**

**Question Key Details :**

Key	Value
Comprehension	MCQ

Social movement is:

1. absence of any degree of organisation
2. sustained collective action
3. necessarily include a leadership
4. disorganised protest

**Options :**

- 485584138173. 1
- 485584138174. 2
- 485584138175. 3
- 485584138176. 4

**Question Number : 390 Question Id : 48558434545 Question Type : MCQ Option Shuffling : No Is Question Mandatory : No Calculator : None Response Time : N.A Think Time : N.A Minimum Instruction Time : 0**

**Correct Marks : 5 Wrong Marks : 1**

**Question Key Details :**

Key	Value
Comprehension	MCQ

Gender identities impact men as well. A typical man in the Indian society is expected to be the following:

1. Do household work
2. Help in child rearing
3. Strong and successful
4. Helpful and compassionate

**Options :**

- 485584138177. 1
- 485584138178. 2
- 485584138179. 3
- 485584138180. 4

**Sub-Section Number :** 2  
**Sub-Section Id :** 4855842553  
**Question Shuffling Allowed :** No  
**Is Section Default? :** null

**Question Number : 391 Question Id : 48558434546 Question Type : MCQ Option Shuffling : No Is Question Mandatory : No Calculator : None Response Time : N.A Think Time : N.A Minimum Instruction Time : 0**

**Correct Marks : 5 Wrong Marks : 1**

**Question Key Details :**

Key	Value
Comprehension	Comp1

Clamoring to enter India's red-hot retail sector, the world's largest chains, including WalMart Stores, Carrefour and Tesco, are seeking the best way to enter the country, despite a government ban on foreign direct investment in the market. Recent large investment by major Indian businesses, like Reliance Industries and Bharat Airtel, have increased the sense of urgency for foreign retailers..... Last week Bharat Airtel indicated that it was in talks with Wal-Mart, Carrefour and Tesco to set up a joint venture .... India's retails sector is attractive not only because of its fast growth, but because family-run street corner stores have 97 % of the nation's business. But this industry trait is precisely why the government makes it hard for foreigners to enter the market. Politicians frequently argue that global retailers would destroy thousands of small local players and fledgling domestic chains.

The government is trying to sell its share in several public sector companies, a process which is known as \_\_\_\_\_

1. Foreign investment
2. De investment
3. Dis investment
4. Retail therapy

**Options :**

- 485584138181. 1
- 485584138182. 2
- 485584138183. 3
- 485584138184. 4

**Question Number : 392 Question Id : 48558434547 Question Type : MCQ Option Shuffling : No Is Question Mandatory : No Calculator : None Response Time : N.A Think Time : N.A Minimum Instruction Time : 0**

**Correct Marks : 5 Wrong Marks : 1**

**Question Key Details :**

Key	Value
Comprehension	Compl

Clamoring to enter India's red-hot retail sector, the world's largest chains, including WalMart Stores, Carrefour and Tesco, are seeking the best way to enter the country, despite a government ban on foreign direct investment in the market. Recent large investment by major Indian businesses, like Reliance Industries and Bharat Airtel, have increased the sense of urgency for foreign retailers..... Last week Bharat Airtel indicated that it was in talks with Wal-Mart, Carrefour and Tesco to set up a joint venture .... India's retails sector is attractive not only because of its fast growth, but because family-run street corner stores have 97 % of the nation's business. But this industry trait is precisely why the government makes it hard for foreigners to enter the market. Politicians frequently argue that global retailers would destroy thousands of small local players and fledgling domestic chains.

Due to globalisation, MNCs are outsourcing work to developing countries because:

1. Most MNC are headed by people from developing countries like India
2. The International Monetary Fund and World Trade Organisation makes it mandatory
3. Labour is skilled
4. Labour is cheaper in developing countries which will yield bigger profits for the MNCs

**Options :**

- 485584138185. 1
- 485584138186. 2
- 485584138187. 3
- 485584138188. 4

**Question Number : 393 Question Id : 48558434548 Question Type : MCQ Option Shuffling : No Is Question Mandatory : No Calculator : None Response Time : N.A Think Time : N.A Minimum Instruction Time : 0**

**Correct Marks : 5 Wrong Marks : 1**

**Question Key Details :**

Key	Value
Comprehension	Comp1

Clamoring to enter India's red-hot retail sector, the world's largest chains, including WalMart Stores, Carrefour and Tesco, are seeking the best way to enter the country, despite a government ban on foreign direct investment in the market. Recent large investment by major Indian businesses, like Reliance Industries and Bharat Airtel, have increased the sense of urgency for foreign retailers..... Last week Bharat Airtel indicated that it was in talks with Wal-Mart, Carrefour and Tesco to set up a joint venture .... India's retail sector is attractive not only because of its fast growth, but because family-run street corner stores have 97 % of the nation's business. But this industry trait is precisely why the government makes it hard for foreigners to enter the market. Politicians frequently argue that global retailers would destroy thousands of small local players and fledgling domestic chains.

India's retail sector is attractive not only because of its fast growth, but because family run street cover. Stores have a large share of the market. Identify the share of the family run cover business in retail sector.

1. 59%
2. 97%
3. 79%
4. 90%

**Options :**

- 485584138189. 1
- 485584138190. 2
- 485584138191. 3
- 485584138192. 4

**Question Number : 394 Question Id : 48558434549 Question Type : MCQ Option Shuffling : No Is Question Mandatory : No Calculator : None Response Time : N.A Think Time : N.A Minimum Instruction Time : 0**

**Correct Marks : 5 Wrong Marks : 1**

**Question Key Details :**

Key	Value
Comprehension	Comp1

Clamoring to enter India's red-hot retail sector, the world's largest chains, including WalMart Stores, Carrefour and Tesco, are seeking the best way to enter the country, despite a government ban on foreign direct investment in the market. Recent large investment by major Indian businesses, like Reliance Industries and Bharat Airtel, have increased the sense of urgency for foreign retailers..... Last week Bharat Airtel indicated that it was in talks with Wal-Mart, Carrefour and Tesco to set up a joint venture .... India's retails sector is attractive not only because of its fast growth, but because family-run street corner stores have 97 % of the nation's business. But this industry trait is precisely why the government makes it hard for foreigners to enter the market. Politicians frequently argue that global retailers would destroy thousands of small local players and fledgling domestic chains.

Parle drinks bring bought by Coca Cola in an example of

1. Liberealization
2. De-Monetisation
3. Globalization
4. Acquisition

**Options :**

- 485584138193. 1
- 485584138194. 2
- 485584138195. 3
- 485584138196. 4

**Question Number : 395 Question Id : 48558434550 Question Type : MCQ Option Shuffling : No Is Question Mandatory : No Calculator : None Response Time : N.A Think Time : N.A Minimum Instruction Time : 0**

**Correct Marks : 5 Wrong Marks : 1**

**Question Key Details :**

Key	Value
Comprehension	Comp1

Clamoring to enter India's red-hot retail sector, the world's largest chains, including WalMart Stores, Carrefour and Tesco, are seeking the best way to enter the country, despite a government ban on foreign direct investment in the market. Recent large investment by major Indian businesses, like Reliance Industries and Bharat Airtel, have increased the sense of urgency for foreign retailers..... Last week Bharat Airtel indicated that it was in talks with Wal-Mart, Carrefour and Tesco to set up a joint venture .... India's retails sector is attractive not only because of its fast growth, but because family-run street corner stores have 97 % of the nation's business. But this industry trait is precisely why the government makes it hard for foreigners to enter the market. Politicians frequently argue that global retailers would destroy thousands of small local players and fledgling domestic chains.

Identify the world's largest MNC in retail market

1. Wal - Mart stores
2. Pepsico
3. Relaince- Industries
4. Amazon

**Options :**

- 485584138197. 1
- 485584138198. 2
- 485584138199. 3
- 485584138200. 4

**Sub-Section Number :** 3  
**Sub-Section Id :** 4855842554  
**Question Shuffling Allowed :** No  
**Is Section Default? :** null

**Question Number : 396 Question Id : 48558434551 Question Type : MCQ Option Shuffling : No Is Question Mandatory : No Calculator : None Response Time : N.A Think Time : N.A Minimum Instruction Time : 0**

**Correct Marks : 5 Wrong Marks : 1**

**Question Key Details :**

Key	Value
Comprehension	Comp2

Read the following passage and answer question based on the concept.

Considered from an, urban point of view. The rapid growth in urbanization shows that the town or city has been acting as a magnet for the rural population. Those who cannot find work (or sufficient work) in the rural areas go to the city in search of work. This flow of rural-to-urban migration has also been accelerated by the continuous decline of common property resources like ponds, forests and grazing land. These common resources enabled poor people to survive in the villages although they owned little or no land. Now, these resources have been turned into private property, or they are exhausted. (Ponds may run dry no longer provide enough fish; forests may have been cut down and have vanished...). If people no longer have access to these resources, but on the other hand have to buy many things in the market that they used to get free (like fuel, fodder or supplementary food items). Then their hardship increases. This hardship is worsened by the fact that opportunities for cash income are limited in the villages.

Identify how is Mass Media contributing to urbanization?

1. By controlling the product market
2. By streaming the image of urban life styles and patterns of consumption to rural people
3. By changing the views of rural people
4. By providing employment

**Options :**

- 485584138201. 1
- 485584138202. 2
- 485584138203. 3



**Question Number : 397 Question Id : 48558434552 Question Type : MCQ Option Shuffling : No Is Question Mandatory : No Calculator : None Response Time : N.A Think Time : N.A Minimum Instruction Time : 0**

**Correct Marks : 5 Wrong Marks : 1**

**Question Key Details :**

Key	Value
Comprehension	Comp2

Read the following passage and answer question based on the concept.

Considered from an, urban point of view. The rapid growth in urbanization shows that the town or city has been acting as a magnet for the rural population. Those who cannot find work (or sufficient work) in the rural areas go to the city in search of work. This flow of rural-to-urban migration has also been accelerated by the continuous decline of common property resources like ponds, forests and grazing land. These common resources enabled poor people to survive in the villages although they owned little or no land. Now, these resources have been turned into private property, or they are exhausted. (Ponds may run dry no longer provide enough fish; forests may have been cut down and have vanished...). If people no longer have access to these resources, but on the other hand have to buy many things in the market that they used to get free (like fuel, fodder or supplementary food items). Then their hardship increases. This hardship is worsened by the fact that opportunities for cash income are limited in the villages.

"There is a selective in the common property resources in the village trading to migration in that are these common property resources?"

1. Agricultural land
2. Ponds, forests and grazing land
3. Agricultural Implements
4. Friends and relatives

**Options :**

485584138205. 1  
 485584138206. 2  
 485584138207. 3  
 485584138208. 4

**Question Number : 398 Question Id : 48558434553 Question Type : MCQ Option Shuffling : No Is Question Mandatory : No Calculator : None Response Time : N.A Think Time : N.A Minimum Instruction Time : 0**

**Correct Marks : 5 Wrong Marks : 1**

**Question Key Details :**

Key	Value
Comprehension	Comp2

Read the following passage and answer question based on the concept.

Considered from an, urban point of view. The rapid growth in urbanization shows that the town or city has been acting as a magnet for the rural population. Those who cannot find work (or sufficient work) in the rural areas go to the city in search of work. This flow of rural-to-urban migration has also been accelerated by the continuous decline of common property resources like ponds, forests and grazing land. These common resources enabled poor people to survive in the villages although they owned little or no land. Now, these resources have been turned into private property, or they are exhausted. (Ponds may run dry no longer provide enough fish; forests may have been cut down and have vanished...). If people no longer have access to these resources, but on the other hand have to buy many things in the market that they used to get free (like fuel, fodder or supplementary food items). Then their hardship increases. This hardship is worsened by the fact that opportunities for cash income are limited in the villages.

Urbanisation is not just impacting the number of people migration to urban areas, but also impacting:

1. Increased interaction of urban people
2. Increased resources for rural people left behind
3. Decline in socio- economic significances of agrarian way of life
4. Increased resources of urban people

**Options :**

- 485584138209. 1
- 485584138210. 2
- 485584138211. 3
- 485584138212. 4

**Question Number : 399 Question Id : 48558434554 Question Type : MCQ Option Shuffling : No Is Question Mandatory : No Calculator : None Response Time : N.A Think Time : N.A Minimum Instruction Time : 0**

**Correct Marks : 5 Wrong Marks : 1**

**Question Key Details :**

Key	Value
Comprehension	Comp2

Read the following passage and answer question based on the concept.

Considered from an, urban point of view. The rapid growth in urbanization shows that the town or city has been acting as a magnet for the rural population. Those who cannot find work (or sufficient work) in the rural areas go to the city in search of work. This flow of rural-to-urban migration has also been accelerated by the continuous decline of common property resources like ponds, forests and grazing land. These common resources enabled poor people to survive in the villages although they owned little or no land. Now, these resources have been turned into private property, or they are exhausted. (Ponds may run dry no longer provide enough fish; forests may have been cut down and have vanished...). If people no longer have access to these resources, but on the other hand have to buy many things in the market that they used to get free (like fuel, fodder or supplementary food items). Then their hardship increases. This hardship is worsened by the fact that opportunities for cash income are limited in the villages.

Decline in common property resources like ponds, forests has led to acceleration of:

1. Rural and rural
2. Urban and rural
3. Rural and urban
4. Urban to urban

**Options :**

- 485584138213. 1
- 485584138214. 2
- 485584138215. 3
- 485584138216. 4

**Question Number : 400 Question Id : 48558434555 Question Type : MCQ Option Shuffling : No Is Question Mandatory : No Calculator : None Response Time : N.A Think Time : N.A Minimum Instruction Time : 0**

**Correct Marks : 5 Wrong Marks : 1**

**Question Key Details :**

Key	Value
Comprehension	Comp2

Read the following passage and answer question based on the concept.

Considered from an, urban point of view. The rapid growth in urbanization shows that the town or city has been acting as a magnet for the rural population. Those who cannot find work (or sufficient work) in the rural areas go to the city in search of work. This flow of rural-to-urban migration has also been accelerated by the continuous decline of common property resources like ponds, forests and grazing land. These common resources enabled poor people to survive in the villages although they owned little or no land. Now, these resources have been turned into private property, or they are exhausted. (Ponds may run dry no longer provide enough fish; forests may have been cut down and have vanished...). If people no longer have access to these resources, but on the other hand have to buy many things in the market that they used to get free (like fuel, fodder or supplementary food items). Then their hardship increases. This hardship is worsened by the fact that opportunities for cash income are limited in the villages.

The emergence of machine production, based on the use of inanimate power resources like steem or electricity is known as:

1. Globalisation
2. Modernisation
3. Industrilisation
4. Glocalisation

**Options :**

- 485584138217. 1
- 485584138218. 2
- 485584138219. 3
- 485584138220. 4

## General Test

**Group Number :** 15  
**Group Id :** 485584782  
**Group Maximum Duration :** 60  
**Group Minimum Duration :** 60  
**Show Attended Group? :** No  
**Edit Attended Group? :** No  
**Break time :** 0  
**Group Marks :** 250  
**Is this Group for Examiner? :** No  
**Examiner permission :** Cant View  
**Show Progress Bar? :** No

## General Test

**Section Id :** 485584900  
**Section Number :** 1  
**Section type :** Online  
**Mandatory or Optional :** Mandatory  
**Number of Questions :** 60  
**Number of Questions to be attempted :** 50  
**Section Marks :** 250  
**Enable Mark as Answered Mark for Review and Clear Response :** Yes  
**Maximum Instruction Time :** 0  
**Sub-Section Number :** 1  
**Sub-Section Id :** 4855842555  
**Question Shuffling Allowed :** Yes  
**Is Section Default? :** null

**Question Number : 401 Question Id : 48558433996 Question Type : MCQ Option Shuffling : No Is Question Mandatory : No Calculator : None Response Time : N.A Think Time : N.A Minimum Instruction Time : 0 Correct Marks : 5 Wrong Marks : 1**

**Question Key Details :**

Key	Value
Comprehension	MCQ

In how many ways can a committee of 7 members be selected from 6 men and 5 women consisting of 4 men and 3 women?

1. 25
2. 147
3. 150
4. 600

**Options :**

485584135981. 1  
485584135982. 2  
485584135983. 3  
485584135984. 4

**Question Number : 402 Question Id : 48558433997 Question Type : MCQ Option Shuffling : No Is Question Mandatory : No Calculator : None Response Time : N.A Think Time : N.A Minimum Instruction Time : 0 Correct Marks : 5 Wrong Marks : 1**

**Question Key Details :**

Key	Value
Comprehension	MCQ

The simple interest of Rs 6500 for  $1\frac{1}{2}$  years at 10% is

- 1. 945
- 2. 950
- 3. 960
- 4. 975

**Options :**

- 485584135985. 1
- 485584135986. 2
- 485584135987. 3
- 485584135988. 4

**Question Number : 403 Question Id : 48558433998 Question Type : MCQ Option Shuffling : No Is Question Mandatory : No Calculator : None Response Time : N.A Think Time : N.A Minimum Instruction Time : 0 Correct Marks : 5 Wrong Marks : 1**

**Question Key Details :**

Key	Value
Comprehension	MCQ

Two friends A and B invest in a buissness in partnership. B borrows 20% of A's salary, combines it with 60% of his salary and invest with A, who puts all of his remaining salary. One year later the ratio of profit of A and B is 5:3 respectively and B returns Rs.21000 to A which he borrowed from him. What is the difference between salary of A and B?

- 1. Rs. 56000
- 2. Rs. 32000
- 3. Rs. 60000
- 4. Rs. 28000

**Options :**

- 485584135989. 1
- 485584135990. 2
- 485584135991. 3
- 485584135992. 4

**Question Number : 404 Question Id : 48558433999 Question Type : MCQ Option Shuffling : No Is Question Mandatory : No Calculator : None Response Time : N.A Think Time : N.A Minimum Instruction Time : 0 Correct Marks : 5 Wrong Marks : 1**

**Question Key Details :**

Key	Value
Comprehension	MCQ

The perimeter of one face of a cube is 24cm. its volume must be:

1. 216 cm<sup>3</sup>
2. 1200 cm<sup>3</sup>
3. 576 cm<sup>3</sup>
4. 13824 cm<sup>3</sup>

**Options :**

485584135993. 1  
 485584135994. 2  
 485584135995. 3  
 485584135996. 4

**Question Number : 405 Question Id : 48558434000 Question Type : MCQ Option Shuffling : No Is Question Mandatory : No Calculator : None Response Time : N.A Think Time : N.A Minimum Instruction Time : 0**

**Correct Marks : 5 Wrong Marks : 1**

**Question Key Details :**

Key	Value
Comprehension	MCQ

What is empirical relationship between mean, median and mode?

- A. Mean - Mode = 3(Mean - Median)
- B. Mode = Mean - Median
- C. Mode = 3 Median - 2 Mean
- D. Median - Mode = 3 (Mean - Median)
- E. Mode = 2 Mean + 3 Median

Choose the correct answer from the options given below\_

1. C only
2. Both A and C only
3. Both A and B only
4. Both D and E only

**Options :**

485584135997. 1  
 485584135998. 2  
 485584135999. 3  
 485584136000. 4

**Question Number : 406 Question Id : 48558434001 Question Type : MCQ Option Shuffling : No Is Question Mandatory : No Calculator : None Response Time : N.A Think Time : N.A Minimum Instruction Time : 0**

**Correct Marks : 5 Wrong Marks : 1**

**Question Key Details :**

Key	Value
Comprehension	MCQ

A person walks from his house to his office at a speed of  $x_1$  km/hr and returns by the same route at a speed of  $x_2$  km/hr. What is his average speed?

1.  $\frac{x_1 + x_2}{2}$

2.  $\frac{x_1 + x_2}{2x_1x_2}$

3.  $\frac{2x_1x_2}{x_1 + x_2}$

4.  $\frac{x_1 + x_2}{x_1x_2}$

**Options :**

- 485584136001. 1
- 485584136002. 2
- 485584136003. 3
- 485584136004. 4

**Question Number : 407 Question Id : 48558434002 Question Type : MCQ Option Shuffling : No Is Question Mandatory : No Calculator : None Response Time : N.A Think Time : N.A Minimum Instruction Time : 0**

**Correct Marks : 5 Wrong Marks : 1**

**Question Key Details :**

Key	Value
Comprehension	MCQ

A thief is spotted by a policeman from a distance of 100m. when the policeman starts the chase, the thief also starts running. If the speed of the thief be 8 km/hr and that of the policeman 10 km/hr, how far the thief will have run before he is overtaken ?

1. 100 m

2. 200 m

3. 400 m

4. 500 m

**Options :**

- 485584136005. 1
- 485584136006. 2
- 485584136007. 3
- 485584136008. 4

**Question Number : 408 Question Id : 48558434003 Question Type : MCQ Option Shuffling : No Is Question Mandatory : No Calculator : None Response Time : N.A Think Time : N.A Minimum Instruction Time : 0**

**Correct Marks : 5 Wrong Marks : 1**

**Question Key Details :**

Key	Value
Comprehension	MCQ

The perimeter of a square and a regular hexagon are equal. The ratio of the area of the hexagon to the area of the square is:

1.  $2\sqrt{3} : 1$

2.  $2 : \sqrt{3}$

3.  $3\sqrt{3} : 2$

4.  $\sqrt{2} : 3$

**Options :**

485584136009. 1

485584136010. 2

485584136011. 3

485584136012. 4

**Question Number : 409 Question Id : 48558434004 Question Type : MCQ Option Shuffling : No Is Question Mandatory : No Calculator : None Response Time : N.A Think Time : N.A Minimum Instruction Time : 0**

**Correct Marks : 5 Wrong Marks : 1**

**Question Key Details :**

Key	Value
Comprehension	MCQ

The radius of the wheel of a vehicle is 35cm. The wheel makes 10 revolutions in 6 seconds. The speed of the vehicle is:

1. 70 km/hr

2. 13.2 km/hr

3. 17.5 km/hr

4. 20 km/hr

**Options :**

485584136013. 1

485584136014. 2

485584136015. 3

485584136016. 4

**Question Number : 410 Question Id : 48558434005 Question Type : MCQ Option Shuffling : No Is Question Mandatory : No Calculator : None Response Time : N.A Think Time : N.A Minimum Instruction Time : 0**

**Correct Marks : 5 Wrong Marks : 1**

**Question Key Details :**

Key	Value
Comprehension	MCQ



A sum of money triples it self in 3 years at compound interest. In how many years will it becomes 9 times

1. 9 years
2. 6 years
3. 12 years
4. 5 years

**Options :**

485584136017. 1  
485584136018. 2  
485584136019. 3  
485584136020. 4

**Question Number : 411 Question Id : 48558434006 Question Type : MCQ Option Shuffling : No Is Question Mandatory : No Calculator : None Response Time : N.A Think Time : N.A Minimum Instruction Time : 0**

**Correct Marks : 5 Wrong Marks : 1**

**Question Key Details :**

Key	Value
Comprehension	MCQ

Aman got 30% of the maximum marks in an examination and failed by 15% marks. However, Anil who took the same examination got 40% of the total marks and got 10 marks more than the passing marks. What were the passing marks in the examination?

1. 85
2. 90
3. 95
4. 100

**Options :**

485584136021. 1  
485584136022. 2  
485584136023. 3  
485584136024. 4

**Question Number : 412 Question Id : 48558434007 Question Type : MCQ Option Shuffling : No Is Question Mandatory : No Calculator : None Response Time : N.A Think Time : N.A Minimum Instruction Time : 0**

**Correct Marks : 5 Wrong Marks : 1**

**Question Key Details :**

Key	Value
Comprehension	MCQ

Akriti buys a smartphone for ₹12,500. If she wants to profit of 30%, how much should she charge for the smartphone?

1. 16000
2. 14375
3. 16250
4. 15400

**Options :**

485584136025. 1  
485584136026. 2  
485584136027. 3  
485584136028. 4

**Question Number : 413 Question Id : 48558434008 Question Type : MCQ Option Shuffling : No Is Question Mandatory : No Calculator : None Response Time : N.A Think Time : N.A Minimum Instruction Time : 0**

**Correct Marks : 5 Wrong Marks : 1**

**Question Key Details :**

Key	Value
Comprehension	MCQ

₹4200 are divided among 'P', 'Q', 'R' and 'S' in such a way that the shares of 'P' and 'Q', 'Q' and 'R' as well 'R' and 'S' are in the ratios of 2:3, 4:5 and 6:7 resp. ectively the share of 'P' is:

1. ₹ 600
2. ₹ 640
3. ₹ 1280
4. ₹ 1480

**Options :**

485584136029. 1  
485584136030. 2  
485584136031. 3  
485584136032. 4

**Question Number : 414 Question Id : 48558434009 Question Type : MCQ Option Shuffling : No Is Question Mandatory : No Calculator : None Response Time : N.A Think Time : N.A Minimum Instruction Time : 0**

**Correct Marks : 5 Wrong Marks : 1**

**Question Key Details :**

Key	Value
Comprehension	MCQ

Work done by A in one day is half of the work done by B in one day. Work done by B is half of the work done by C in one day. If C alone can do the work in 7 days, then in how many days can A, B and C together complete the work?

1. 4
2. 14
3. 21
4. 28

**Options :**

485584136033. 1  
485584136034. 2  
485584136035. 3  
485584136036. 4

**Question Number : 415 Question Id : 48558434010 Question Type : MCQ Option Shuffling : No Is Question Mandatory : No Calculator : None Response Time : N.A Think Time : N.A Minimum Instruction Time : 0**

**Correct Marks : 5 Wrong Marks : 1**

**Question Key Details :**

Key	Value
Comprehension	MCQ

A pair of dice is thrown and sum of the numbers on two tosses is observed. Which of the statements are correct

- A. Probability of getting sum as 11 is  $\frac{1}{18}$
- B. Probability of getting sum as 5 is  $\frac{1}{12}$
- C. Probability of getting sum as 7 is  $\frac{1}{6}$
- D. Probability of getting sum as 6 is  $\frac{1}{9}$

Choose the correct answer from the options given below:

1. A and C Only
2. A and B Only
3. A, C, D Only
4. A and C Only

**Options :**

485584136037. 1  
485584136038. 2  
485584136039. 3  
485584136040. 4

Question Number : 416 Question Id : 48558434011 Question Type : MCQ Option Shuffling : No Is Question Mandatory : No Calculator : None Response Time : N.A Think Time : N.A Minimum Instruction Time : 0

Correct Marks : 5 Wrong Marks : 1

Question Key Details :

Key	Value
Comprehension	MCQ

The value of the sum of 10 term of the series

$$S_{10} = \frac{1}{2^2-1} + \frac{1}{4^2-1} + \frac{1}{6^2-1} + \dots \text{ is}$$

1.  $\frac{11}{21}$

2.  $\frac{9}{10}$

3.  $\frac{21}{10}$

4.  $\frac{10}{21}$

Options :

485584136041. 1

485584136042. 2

485584136043. 3

485584136044. 4

Question Number : 417 Question Id : 48558434012 Question Type : MCQ Option Shuffling : No Is Question Mandatory : No Calculator : None Response Time : N.A Think Time : N.A Minimum Instruction Time : 0

Correct Marks : 5 Wrong Marks : 1

Question Key Details :

Key	Value
Comprehension	MCQ

Diameter of sphere is 28 cm Find out its surface area?

1.  $2464 \text{ cm}^2$

2.  $11498 \text{ cm}^2$

3.  $2490 \text{ cm}^2$

4.  $2260 \text{ cm}^2$

Options :

485584136045. 1

485584136046. 2

485584136047. 3

485584136048. 4

Question Number : 418 Question Id : 48558434013 Question Type : MCQ Option Shuffling : No Is Question Mandatory : No Calculator : None Response Time : N.A Think Time : N.A Minimum Instruction Time : 0  
Correct Marks : 5 Wrong Marks : 1  
Question Key Details :

Key	Value
Comprehension	MCQ

Which two numbers are both square and cube numbers?

- 1 and 8
- 8 and 27
- 27 and 64
- 1 and 64

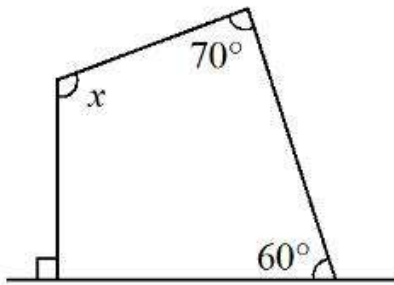
Options :

485584136049. 1  
485584136050. 2  
485584136051. 3  
485584136052. 4

Question Number : 419 Question Id : 48558434014 Question Type : MCQ Option Shuffling : No Is Question Mandatory : No Calculator : None Response Time : N.A Think Time : N.A Minimum Instruction Time : 0  
Correct Marks : 5 Wrong Marks : 1  
Question Key Details :

Key	Value
Comprehension	MCQ

In the given figure the value of angle 'x' is \_\_\_\_\_



- $130^\circ$
- $120^\circ$
- $140^\circ$
- $110^\circ$

Options :

485584136053. 1  
485584136054. 2  
485584136055. 3

485584136056.4

**Question Number : 420 Question Id : 48558434015 Question Type : MCQ Option Shuffling : No Is Question Mandatory : No Calculator : None Response Time : N.A Think Time : N.A Minimum Instruction Time : 0**

**Correct Marks : 5 Wrong Marks : 1**

**Question Key Details :**

Key	Value
Comprehension	MCQ

How many words with or without meaning, can be formed by using all the letters of the word "DELHI", using each letter exactly once?

1. 12
2. 50
3. 60
4. 10

**Options :**

- 485584136057. 1
- 485584136058. 2
- 485584136059. 3
- 485584136060. 4

**Question Number : 421 Question Id : 48558434016 Question Type : MCQ Option Shuffling : No Is Question Mandatory : No Calculator : None Response Time : N.A Think Time : N.A Minimum Instruction Time : 0**

**Correct Marks : 5 Wrong Marks : 1**

**Question Key Details :**

Key	Value
Comprehension	MCQ

If UPKAR is coded as UOQJLAQS, then the code for HONEY will be:

1. HIOMOXZA
2. GIOMEOXY
3. GIOMOEXZ
4. HIOMOEXZ

**Options :**

- 485584136061. 1
- 485584136062. 2
- 485584136063. 3
- 485584136064. 4

**Question Number : 422 Question Id : 48558434017 Question Type : MCQ Option Shuffling : No Is Question Mandatory : No Calculator : None Response Time : N.A Think Time : N.A Minimum Instruction Time : 0**

**Correct Marks : 5 Wrong Marks : 1**

**Question Key Details :**

Key	Value
-----	-------

**STATEMENT:** Covid-19 is a pandemic issue now.

**ASSUMPTIONS:**

- I. Government should work towards complete vaccination of the population.
- II. Covid-19 upcoming variants are not fatal and should be treated as normal flu.
  1. Only Assumption I is implicit
  2. Only Assumption II is implicit
  3. neither Assumption I nor Assumption II is implicit
  4. Both Assumption I and Assumption II are implicit

**Options :**

485584136065. 1
485584136066. 2
485584136067. 3
485584136068. 4

**Question Number : 423 Question Id : 48558434018 Question Type : MCQ Option Shuffling : No Is Question Mandatory : No Calculator : None Response Time : N.A Think Time : N.A Minimum Instruction Time : 0**

**Correct Marks : 5 Wrong Marks : 1**

**Question Key Details :**

Key	Value
Comprehension	MCQ

Mark the correct option based on the statement and conclusion that follows

**Statements**

- A. All states having Rain Water Harvesting face no water problem.
- B. One of the states has still not applied Rain Water Harvesting policy

**Conclusions:**

- I. It may be facing water problem
- II. Rain Water Harvesting solve water problem.
  1. Only conclusion I follows
  2. Only conclusion II follows
  3. Both conclusion I and II follows
  4. Neither conclusion I nor II follows

**Options :**

485584136069. 1

485584136070. 2  
485584136071. 3  
485584136072. 4

**Question Number : 424 Question Id : 48558434019 Question Type : MCQ Option Shuffling : No Is Question Mandatory : No Calculator : None Response Time : N.A Think Time : N.A Minimum Instruction Time : 0**

**Correct Marks : 5 Wrong Marks : 1**

**Question Key Details :**

Key	Value
Comprehension	MCQ

Identify the next number from the following series 36,40, 48, 60, 76 ?

1. 94
2. 98
3. 92
4. 96

**Options :**

485584136073. 1  
485584136074. 2  
485584136075. 3  
485584136076. 4

**Question Number : 425 Question Id : 48558434020 Question Type : MCQ Option Shuffling : No Is Question Mandatory : No Calculator : None Response Time : N.A Think Time : N.A Minimum Instruction Time : 0**

**Correct Marks : 5 Wrong Marks : 1**

**Question Key Details :**

Key	Value
Comprehension	MCQ

What will be the measurement of the angle made by the hands at 18 min past 5?

1.  $52^\circ$
2.  $51^\circ$
3.  $50^\circ$
4.  $49^\circ$

**Options :**

485584136077. 1  
485584136078. 2  
485584136079. 3  
485584136080. 4

**Question Number : 426 Question Id : 48558434021 Question Type : MCQ Option Shuffling : No Is Question Mandatory : No Calculator : None Response Time : N.A Think Time : N.A Minimum Instruction Time : 0**

**Correct Marks : 5 Wrong Marks : 1**

**Question Key Details :**



Key	Value
Comprehension	MCQ

Hear is to Deaf as Speak is to

1. Quite
2. Silent
3. Mumb or Mum
4. Dumb

**Options :**

485584136081. 1  
485584136082. 2  
485584136083. 3  
485584136084. 4

**Question Number : 427 Question Id : 48558434022 Question Type : MCQ Option Shuffling : No Is Question Mandatory : No Calculator : None Response Time : N.A Think Time : N.A Minimum Instruction Time : 0**

**Correct Marks : 5 Wrong Marks : 1**

**Question Key Details :**

Key	Value
Comprehension	MCQ

Given below are two statements: one is labelled as Assertion A and the other is labelled as Reason R.

**Assertion A :** The sun rises 2 hours later in Gujrat as compared to Arunachal Pradesh, but watches shows the same time.

**Reason R :** The longitudinal gap between Arunachal Pradesh and Gujrat is about 30 degrees but at the same time India has adopted Indian Standard time which is at 82.5° West.

In the light of the above statements, choose the most appropriate answer from the options given below:

1. Both A and R are correct and R is the correct explanation of A
2. Both A and R are correct but R is NOT the correct explanation of A
3. A is correct but R is not correct
4. A is not correct but R is correct

**Options :**

485584136085. 1  
485584136086. 2  
485584136087. 3  
485584136088. 4

**Question Number : 428 Question Id : 48558434023 Question Type : MCQ Option Shuffling : No Is Question Mandatory : No Calculator : None Response Time : N.A Think Time : N.A Minimum Instruction Time : 0**

**Correct Marks : 5 Wrong Marks : 1**

**Question Key Details :**

Key	Value
Comprehension	MCQ

K is more beautiful than B. B is not as beautiful as Y. J is not beautiful as B or Y. The least beautiful among all is:

1. B
2. Y
3. J
4. K

**Options :**

- 485584136089. 1
- 485584136090. 2
- 485584136091. 3
- 485584136092. 4

**Question Number : 429 Question Id : 48558434024 Question Type : MCQ Option Shuffling : No Is Question Mandatory : No Calculator : None Response Time : N.A Think Time : N.A Minimum Instruction Time : 0**

**Correct Marks : 5 Wrong Marks : 1**

**Question Key Details :**

Key	Value
Comprehension	MCQ

I introduced a lady "she is the mother of the only daughter of my son's father in law. how is she related to me:

- A. She is my sister
- B. She is the mother in law of my son
- C. She is my son's aunt
- D. She is the wife of my son's father in law
- E. She is my mother

Choose the correct answer from the options given below:

1. A, C, D Only
2. B, C, D Only
3. A, D, E Only
4. B, D Only

**Options :**

- 485584136093. 1
- 485584136094. 2
- 485584136095. 3
- 485584136096. 4

**Question Number : 430 Question Id : 48558434025 Question Type : MCQ Option Shuffling : No Is Question Mandatory : No Calculator : None Response Time : N.A Think Time : N.A Minimum Instruction Time : 0**

**Correct Marks : 5 Wrong Marks : 1**

**Question Key Details :**

Key	Value
Comprehension	MCQ

In the statements below study the question asked and decide which of the following statement is/are necessary to answer the question:

Find the present salary of Arvind:

- I. The salary increase every year by 15%
- II. The salary at the time of joining was ₹18,000
- III. He has joined the company exactly 10 years ago.

Which statement(s) are necessary

- 1. I and II only
- 2. II and III only
- 3. I and III only
- 4. all I, II, and III necessary

**Options :**

- 485584136097. 1
- 485584136098. 2
- 485584136099. 3
- 485584136100. 4

**Question Number : 431 Question Id : 48558434026 Question Type : MCQ Option Shuffling : No Is Question Mandatory : No Calculator : None Response Time : N.A Think Time : N.A Minimum Instruction Time : 0**

**Correct Marks : 5 Wrong Marks : 1**

**Question Key Details :**

Key	Value
Comprehension	MCQ

Which does not belong to the others

- 1. Key Board
- 2. Windows
- 3. Hard Drive
- 4. CPU

**Options :**

- 485584136101. 1
- 485584136102. 2
- 485584136103. 3
- 485584136104. 4

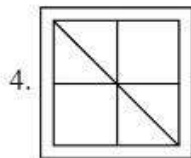
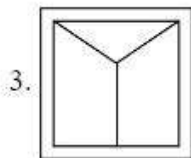
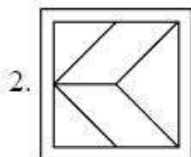
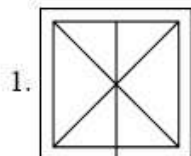
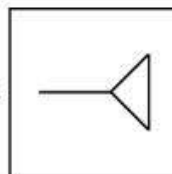
Question Number : 432 Question Id : 48558434027 Question Type : MCQ Option Shuffling : No Is Question Mandatory : No Calculator : None Response Time : N.A Think Time : N.A Minimum Instruction Time : 0

Correct Marks : 5 Wrong Marks : 1

Question Key Details :

Key	Value
Comprehension	MCQ

Find the answer figure in which question figure is imbrted



Options :

485584136105. 1

485584136106. 2

485584136107. 3

485584136108. 4

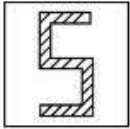
Question Number : 433 Question Id : 48558434028 Question Type : MCQ Option Shuffling : No Is Question Mandatory : No Calculator : None Response Time : N.A Think Time : N.A Minimum Instruction Time : 0

Correct Marks : 5 Wrong Marks : 1

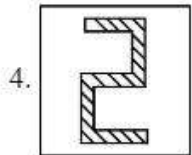
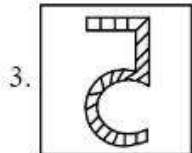
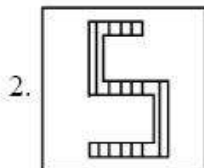
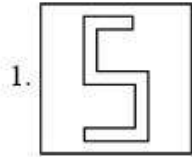
Question Key Details :

Key	Value
Comprehension	MCQ

Choose the correct mirror-image of fig(X) from amongst the four alternatives (1), (2), (3) and (4) given along with it.



(x)



**Options :**

485584136109. 1

485584136110. 2

485584136111. 3

485584136112. 4

**Question Number : 434 Question Id : 48558434029 Question Type : MCQ Option Shuffling : No Is Question Mandatory : No Calculator : None Response Time : N.A Think Time : N.A Minimum Instruction Time : 0**

**Correct Marks : 5 Wrong Marks : 1**

**Question Key Details :**

Key	Value
Comprehension	MCQ

The days before yesterday, it was monday. After 39 days, it will be

1. Wednesday

2. Sunday

3. Friday

4. Saturday

**Options :**

485584136113. 1  
485584136114. 2  
485584136115. 3  
485584136116. 4

**Question Number : 435 Question Id : 48558434030 Question Type : MCQ Option Shuffling : No Is Question Mandatory : No Calculator : None Response Time : N.A Think Time : N.A Minimum Instruction Time : 0**

**Correct Marks : 5 Wrong Marks : 1**

**Question Key Details :**

Key	Value
Comprehension	MCQ

Find missing term: P2A, S6D, ?, Y54J

1. F9U
2. V18G
3. V24G
4. V12X

**Options :**

485584136117. 1  
485584136118. 2  
485584136119. 3  
485584136120. 4

**Question Number : 436 Question Id : 48558434031 Question Type : MCQ Option Shuffling : No Is Question Mandatory : No Calculator : None Response Time : N.A Think Time : N.A Minimum Instruction Time : 0**

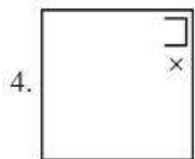
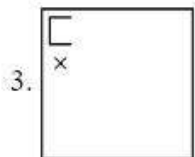
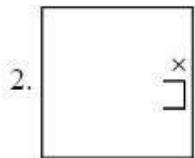
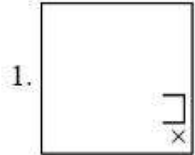
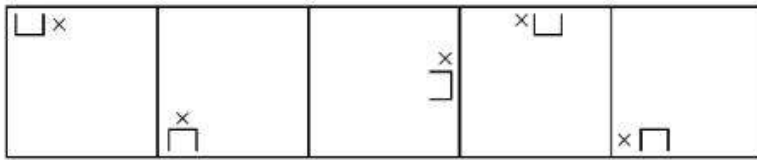
**Correct Marks : 5 Wrong Marks : 1**

**Question Key Details :**

Key	Value
Comprehension	MCQ

Choose the correct option to complete the series.

Problem figures



**Options :**

485584136121. 1

485584136122. 2

485584136123. 3

485584136124. 4

**Question Number : 437 Question Id : 48558434032 Question Type : MCQ Option Shuffling : No Is Question Mandatory : No Calculator : None Response Time : N.A Think Time : N.A Minimum Instruction Time : 0**

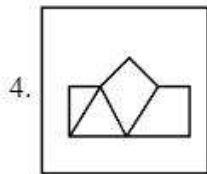
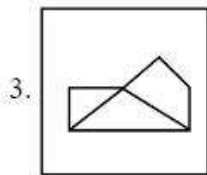
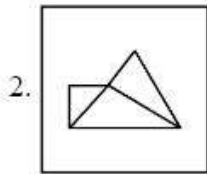
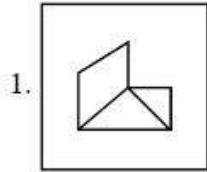
**Correct Marks : 5 Wrong Marks : 1**

**Question Key Details :**

Key	Value
Comprehension	MCQ



Choose the correct option by forming the pieces given in the above figure.



**Options :**

485584136125. 1

485584136126. 2

485584136127. 3

485584136128. 4

**Question Number : 438 Question Id : 48558434033 Question Type : MCQ Option Shuffling : No Is Question Mandatory : No Calculator : None Response Time : N.A Think Time : N.A Minimum Instruction Time : 0**

**Correct Marks : 5 Wrong Marks : 1**

**Question Key Details :**

Key	Value
Comprehension	MCQ



Following are the conditions for selection of Director in an Organisation. The candidate must

- I. Be a MBA in Marketing with 1st class securing a minimum of 65% marks
- II. Have an experience of working in related area at least two years after acquiring the desired qualification
- III. Have passed the written test with at least 60% marks.
- IV. Be not less than 40 year and not more than 50 year of age as 2.3.2020

Salman Khan is a MBA from IIM Lucknow, passed out in 2000 with 70% marks. He is working as a marketing head since July 2001. His date of birth is 25th Dec 1975. He has cleared the written test with 60% marks?

Indicate your decision by marking answers to each question as follows:

1. If the candidate is to be selected
2. If the candidate is not to be selected
3. If data is not adequate to take the decision
4. If the case is referred to the chairman

**Options :**

- 485584136129. 1
- 485584136130. 2
- 485584136131. 3
- 485584136132. 4

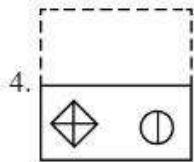
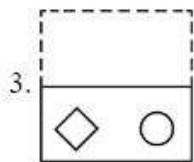
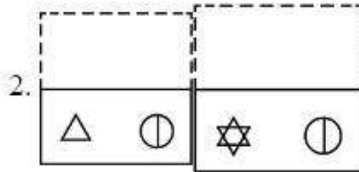
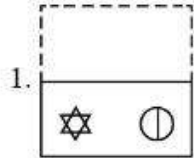
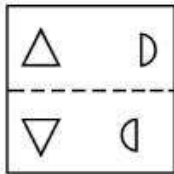
**Question Number : 439 Question Id : 48558434034 Question Type : MCQ Option Shuffling : No Is Question Mandatory : No Calculator : None Response Time : N.A Think Time : N.A Minimum Instruction Time : 0**

**Correct Marks : 5 Wrong Marks : 1**

**Question Key Details :**

Key	Value
Comprehension	MCQ

Find the figure obtained after folding the given figure along the dotted line.



**Options :**

- 485584136133. 1
- 485584136134. 2
- 485584136135. 3
- 485584136136. 4

**Question Number : 440 Question Id : 48558434035 Question Type : MCQ Option Shuffling : No Is Question Mandatory : No Calculator : None Response Time : N.A Think Time : N.A Minimum Instruction Time : 0**

**Correct Marks : 5 Wrong Marks : 1**

**Question Key Details :**

Key	Value
Comprehension	MCQ

If South-East becomes North and North-East becomes West and all the rest directions are changed in the same manner, what will the direction for the South-East?

- 1. West
- 2. North-West
- 3. North
- 4. East

**Options :**

485584136137. 1  
485584136138. 2  
485584136139. 3  
485584136140. 4

**Question Number : 441 Question Id : 48558434036 Question Type : MCQ Option Shuffling : No Is Question Mandatory : No Calculator : None Response Time : N.A Think Time : N.A Minimum Instruction Time : 0**

**Correct Marks : 5 Wrong Marks : 1**

**Question Key Details :**

Key	Value
Comprehension	MCQ

Which among the following dances is not a Martial Dance?

1. Pika
2. Gatka
3. Kathaputli
4. Choliya

**Options :**

485584136141. 1  
485584136142. 2  
485584136143. 3  
485584136144. 4

**Question Number : 442 Question Id : 48558434037 Question Type : MCQ Option Shuffling : No Is Question Mandatory : No Calculator : None Response Time : N.A Think Time : N.A Minimum Instruction Time : 0**

**Correct Marks : 5 Wrong Marks : 1**

**Question Key Details :**

Key	Value
Comprehension	MCQ

Harappan age is

1. 3,500 BC – 2,500 BC
2. 2,500 BC – 1,750 BC
3. 2,000 BC – 1,000 BC
4. 3,500 BC – 1,000 BC

**Options :**

485584136145. 1  
485584136146. 2  
485584136147. 3  
485584136148. 4

**Question Number : 443 Question Id : 48558434038 Question Type : MCQ Option Shuffling : No Is Question Mandatory : No Calculator : None Response Time : N.A Think Time : N.A Minimum Instruction Time : 0**

**Correct Marks : 5 Wrong Marks : 1**

**Question Key Details :**

Key	Value
Comprehension	MCQ

Archaeological site 'Palvai' is situated in

1. Kerala
2. Andhra Pradesh
3. Karnataka
4. Tamil Nadu

**Options :**

485584136149. 1  
485584136150. 2  
485584136151. 3  
485584136152. 4

**Question Number : 444 Question Id : 48558434039 Question Type : MCQ Option Shuffling : No Is Question Mandatory : No Calculator : None Response Time : N.A Think Time : N.A Minimum Instruction Time : 0**

**Correct Marks : 5 Wrong Marks : 1**

**Question Key Details :**

Key	Value
Comprehension	MCQ

There are 4 electric bulb of 50W (each) is used for 5 hour per day. Calculate the energy consumed in the month of January.

1. 31 Kwh
2. 31 Joulr
3.  $3.6 \times 10^6$  J
4.  $31 \times 3.6 \times 10^6$  J Kwh

**Options :**

485584136153. 1  
485584136154. 2  
485584136155. 3  
485584136156. 4

**Question Number : 445 Question Id : 48558434040 Question Type : MCQ Option Shuffling : No Is Question Mandatory : No Calculator : None Response Time : N.A Think Time : N.A Minimum Instruction Time : 0**

**Correct Marks : 5 Wrong Marks : 1**

**Question Key Details :**

Key	Value
Comprehension	MCQ

Which of the following is an example of an Emulsion?

1. Fog
2. Clouds
3. Mist
4. Milk

**Options :**

485584136157. 1  
485584136158. 2  
485584136159. 3  
485584136160. 4

**Question Number : 446 Question Id : 48558434041 Question Type : MCQ Option Shuffling : No Is Question Mandatory : No Calculator : None Response Time : N.A Think Time : N.A Minimum Instruction Time : 0**

**Correct Marks : 5 Wrong Marks : 1**

**Question Key Details :**

Key	Value
Comprehension	MCQ

Which statements are true about Phylum Arthropoda?

- A. Body is divided into one part.
- B. Body is divided into two parts.
- C. Body is divided into three parts.
- D. Joinedleg
- E. Circulatory system is of close type.

Choose the correct answer from the options given below:

1. A and B only
2. B and C only
3. D and E only
4. C and D only

**Options :**

485584136161. 1  
485584136162. 2  
485584136163. 3  
485584136164. 4

**Question Number : 447 Question Id : 48558434042 Question Type : MCQ Option Shuffling : No Is Question Mandatory : No Calculator : None Response Time : N.A Think Time : N.A Minimum Instruction Time : 0**

**Correct Marks : 5 Wrong Marks : 1**

**Question Key Details :**

Key	Value
Comprehension	MCQ

Who was invented Universal Serial Bus (USB)?

1. Ajay Sood
2. Ajay Bhatt
3. M.S. Swaminathan
4. Gagan B. Mohanthy

**Options :**

485584136165. 1  
485584136166. 2  
485584136167. 3  
485584136168. 4

**Question Number : 448 Question Id : 48558434043 Question Type : MCQ Option Shuffling : No Is Question Mandatory : No Calculator : None Response Time : N.A Think Time : N.A Minimum Instruction Time : 0**

**Correct Marks : 5 Wrong Marks : 1**

**Question Key Details :**

Key	Value
Comprehension	MCQ

Where was Commonwealth Games 2022 held?

1. London
2. Canberra
3. Brimingham
4. Manchester

**Options :**

485584136169. 1  
485584136170. 2  
485584136171. 3  
485584136172. 4

**Question Number : 449 Question Id : 48558434044 Question Type : MCQ Option Shuffling : No Is Question Mandatory : No Calculator : None Response Time : N.A Think Time : N.A Minimum Instruction Time : 0**

**Correct Marks : 5 Wrong Marks : 1**

**Question Key Details :**

Key	Value
Comprehension	MCQ

Which states women's U-18 team won the Khelo India Youth Games 2022?

1. Kerala
2. Punjab
3. Tamil Nadu
4. Haryana

**Options :**

485584136173. 1  
485584136174. 2  
485584136175. 3  
485584136176. 4

**Question Number : 450 Question Id : 48558434045 Question Type : MCQ Option Shuffling : No Is Question Mandatory : No Calculator : None Response Time : N.A Think Time : N.A Minimum Instruction Time : 0**

**Correct Marks : 5 Wrong Marks : 1**

**Question Key Details :**

Key	Value
Comprehension	MCQ

India has been building the sea-port of Chabahar port for which of these West Asian country:

1. Iraq
2. Iran
3. UAE
4. Oman

**Options :**

485584136177. 1  
485584136178. 2  
485584136179. 3  
485584136180. 4

**Question Number : 451 Question Id : 48558434046 Question Type : MCQ Option Shuffling : No Is Question Mandatory : No Calculator : None Response Time : N.A Think Time : N.A Minimum Instruction Time : 0**

**Correct Marks : 5 Wrong Marks : 1**

**Question Key Details :**

Key	Value
Comprehension	MCQ

Recently, whom of Indian origin has become the new prime minister of Britain?

1. Dilip Boland
2. Rajesh David
3. Rishi Sunak
4. Aman Panda

**Options :**

485584136181. 1  
485584136182. 2  
485584136183. 3  
485584136184. 4

**Question Number : 452 Question Id : 48558434047 Question Type : MCQ Option Shuffling : No Is Question Mandatory : No Calculator : None Response Time : N.A Think Time : N.A Minimum Instruction Time : 0**

**Correct Marks : 5 Wrong Marks : 1**

**Question Key Details :**

Key	Value
Comprehension	MCQ

Which team has won the 2022 Women's Pan American Cup Field Hockey Tournament?

1. Netherland
2. Argentina
3. South Korea
4. Malaysia

**Options :**

485584136185. 1  
485584136186. 2  
485584136187. 3  
485584136188. 4

**Question Number : 453 Question Id : 48558434048 Question Type : MCQ Option Shuffling : No Is Question Mandatory : No Calculator : None Response Time : N.A Think Time : N.A Minimum Instruction Time : 0**

**Correct Marks : 5 Wrong Marks : 1**

**Question Key Details :**

Key	Value
Comprehension	MCQ



Name the longest river of the world?

1. Nile
2. Ganga
3. Amazon
4. Yangtze river

**Options :**

485584136189. 1  
485584136190. 2  
485584136191. 3  
485584136192. 4

**Question Number : 454 Question Id : 48558434049 Question Type : MCQ Option Shuffling : No Is Question Mandatory : No Calculator : None Response Time : N.A Think Time : N.A Minimum Instruction Time : 0**

**Correct Marks : 5 Wrong Marks : 1**

**Question Key Details :**

Key	Value
Comprehension	MCQ

Which is the highest Peak of the Pennisulan Plateau of India?

1. Dodda betha
2. Mullayanagiri
3. Agasthyamala
4. Anamudi

**Options :**

485584136193. 1  
485584136194. 2  
485584136195. 3  
485584136196. 4

**Question Number : 455 Question Id : 48558434050 Question Type : MCQ Option Shuffling : No Is Question Mandatory : No Calculator : None Response Time : N.A Think Time : N.A Minimum Instruction Time : 0**

**Correct Marks : 5 Wrong Marks : 1**

**Question Key Details :**

Key	Value
Comprehension	MCQ

On which date is the shortest day of the year in the northern Hemisphere?

1. 22 June
2. 21 June
3. 22 December
4. 26 December

**Options :**

- 485584136197. 1
- 485584136198. 2
- 485584136199. 3
- 485584136200. 4

**Question Number : 456 Question Id : 48558434051 Question Type : MCQ Option Shuffling : No Is Question Mandatory : No Calculator : None Response Time : N.A Think Time : N.A Minimum Instruction Time : 0**

**Correct Marks : 5 Wrong Marks : 1**

**Question Key Details :**

Key	Value
Comprehension	MCQ

Criminal Identification Bill has been passed by President in April 2022. The Bill (or Act)

- A. Empowers police to obtain physical and biological samples of convicts and those accused of crimes.
- B. Empowers police to order measurement of photographs of a person to aid the investigation of offence.
- C. Explains the data to be collected.
- D. Provides the data to be stored in a Central database.

Choose the correct answer from the options given below:

1. C, A and B only
2. A, C and D only
3. B, A and D only
4. A, B and D only

**Options :**

- 485584136201. 1
- 485584136202. 2
- 485584136203. 3
- 485584136204. 4

**Question Number : 457 Question Id : 48558434052 Question Type : MCQ Option Shuffling : No Is Question Mandatory : No Calculator : None Response Time : N.A Think Time : N.A Minimum Instruction Time : 0**

**Correct Marks : 5 Wrong Marks : 1**

**Question Key Details :**

Key	Value
Comprehension	MCQ

What growth rate The Economic Survey 2021-22 had projected for the financial year ending March 2023?

1. 8.5-9%
2. 8-8.5%
3. 10-11%
4. 7-7.5%

**Options :**

485584136205. 1  
485584136206. 2  
485584136207. 3  
485584136208. 4

**Question Number : 458 Question Id : 48558434053 Question Type : MCQ Option Shuffling : No Is Question Mandatory : No Calculator : None Response Time : N.A Think Time : N.A Minimum Instruction Time : 0**

**Correct Marks : 5 Wrong Marks : 1**

**Question Key Details :**

Key	Value
Comprehension	MCQ

Which English writer has been awarded the Tata Literature Lifetime Achievement Award?

1. Arundhati Roy
2. Vikram Seth
3. Ruskin Bond
4. Prof. Shorad Pagadey

**Options :**

485584136209. 1  
485584136210. 2  
485584136211. 3  
485584136212. 4

**Question Number : 459 Question Id : 48558434054 Question Type : MCQ Option Shuffling : No Is Question Mandatory : No Calculator : None Response Time : N.A Think Time : N.A Minimum Instruction Time : 0**

**Correct Marks : 5 Wrong Marks : 1**

**Question Key Details :**

Key	Value
Comprehension	MCQ

Match List I with List II

LIST I Satellite		LIST II Launch Date	
A.	Aryabhata	I.	2008
B.	Mangalyaan	II.	1975
C.	Chandrayaan - I	III.	2017
D.	IRNAA-1H Mission	IV.	2013

Choose the correct answer from the options given below:

1. A-II, B-IV, C-I, D-III
2. A-I, B-II, C-III, D-IV
3. A-IV, B-III, C-II, D-I
4. A-IV, B-II, C-III, D-I

**Options :**

485584136213. 1  
485584136214. 2  
485584136215. 3  
485584136216. 4

**Question Number : 460 Question Id : 48558434055 Question Type : MCQ Option Shuffling : No Is Question Mandatory : No Calculator : None Response Time : N.A Think Time : N.A Minimum Instruction Time : 0**

**Correct Marks : 5 Wrong Marks : 1**

**Question Key Details :**

Key	Value
Comprehension	MCQ

Formal source of credit for an individual does not include:

1. Cooperatives
2. Banks
3. MUDRA Bank
4. RBI

**Options :**

485584136217. 1  
485584136218. 2  
485584136219. 3  
485584136220. 4