

# National Testing Agency

**Question Paper Name :** 18S3  
**Subject Name :** 18Jun2023 Shift3 Subject Combination 1  
**Creation Date :** 2023-06-18 22:37:53  
**Duration :** 690  
**Total Marks :** 3050  
**Display Marks:** Yes

## English

**Group Number :** 1  
**Group Id :** 485584768  
**Group Maximum Duration :** 45  
**Group Minimum Duration :** 45  
**Show Attended Group? :** No  
**Edit Attended Group? :** No  
**Break time :** 0  
**Group Marks :** 200  
**Is this Group for Examiner? :** No  
**Examiner permission :** Cant View  
**Show Progress Bar? :** No

## English

**Section Id :** 485584886  
**Section Number :** 1  
**Section type :** Online  
**Mandatory or Optional :** Mandatory  
**Number of Questions :** 50  
**Number of Questions to be attempted :** 40  
**Section Marks :** 200  
**Enable Mark as Answered Mark for Review and Clear Response :** Yes  
**Maximum Instruction Time :** 0  
**Sub-Section Number :** 1  
**Sub-Section Id :** 4855842506  
**Question Shuffling Allowed :** No  
**Is Section Default? :** null

**Question Number : 1 Question Id : 48558433946 Question Type : MCQ Option Shuffling : No Is Question Mandatory : No Calculator : None Response Time : N.A Think Time : N.A Minimum Instruction Time : 0**

**Correct Marks : 5 Wrong Marks : 1**

**Question Key Details :**

Key	Value
Comprehension	Comp1

Read the following literary passage. Answer Questions:-

**No Man is an Island**

No man is an island,  
Entire of itself,  
Every man is a piece of the continent,  
A part of the main,  
if a clod be washed away by the sea,  
Europe is the less.  
As well as if a promontory were,  
As well as if a manor of the friend's  
Or of thine own were:  
Any man's death diminishes me,  
Because I am involved in mankind,  
and therefore never send to know for whom the bell tolls;  
It tolls for thee.

What is the essential idea of the passage?

1. The passage signifies a connection between all of humankind.
2. The passage signifies that all aquatic animals are connected.
3. The poet is uninvolved in mankind.
4. The poet wants to live in an island.

**Options :**

- 485584135781. 1
- 485584135782. 2
- 485584135783. 3
- 485584135784. 4

**Question Number : 2 Question Id : 48558433947 Question Type : MCQ Option Shuffling : No Is Question Mandatory : No Calculator : None Response Time : N.A Think Time : N.A Minimum Instruction Time : 0**

**Correct Marks : 5 Wrong Marks : 1**

**Question Key Details :**

Key	Value
Comprehension	Comp1

Read the following literary passage. Answer Questions:-

**No Man is an Island**

No man is an island,  
Entire of itself,  
Every man is a piece of the continent,  
A part of the main,  
if a clod be washed away by the sea,  
Europe is the less.  
As well as if a promontory were,  
As well as if a manor of the friend's  
Or of thine own were:  
Any man's death diminishes me,  
Because I am involved in mankind,  
and therefore never send to know for whom the bell tolls;  
It tolls for thee.

What is the meaning of the word 'clod'?

1. A ship
2. A child
3. Jellyfish
4. A lump of earth or clay

**Options :**

- 485584135785. 1
- 485584135786. 2
- 485584135787. 3
- 485584135788. 4

**Question Number : 3 Question Id : 48558433948 Question Type : MCQ Option Shuffling : No Is Question Mandatory : No Calculator : None Response Time : N.A Think Time : N.A Minimum Instruction Time : 0**

**Correct Marks : 5 Wrong Marks : 1**

**Question Key Details :**

Key	Value
Comprehension	Comp1

Read the following literary passage. Answer Questions:-

**No Man is an Island**

No man is an island,  
Entire of itself,  
Every man is a piece of the continent,  
A part of the main,  
if a clod be washed away by the sea,  
Europe is the less.  
As well as if a promontory were,  
As well as if a manor of the friend's  
Or of thine own were:  
Any man's death diminishes me,  
Because I am involved in mankind,  
and therefore never send to know for whom the bell tolls;  
It tolls for thee.

What is the name of the poetic device when there is a repetition of words/phrases at the beginning of successive lines?

- 1. Metaphor
- 2. Simili
- 3. Anaphora
- 4. Hyperbole

**Options :**

- 485584135789. 1
- 485584135790. 2
- 485584135791. 3
- 485584135792. 4

**Question Number : 4 Question Id : 48558433949 Question Type : MCQ Option Shuffling : No Is Question Mandatory : No Calculator : None Response Time : N.A Think Time : N.A Minimum Instruction Time : 0**

**Correct Marks : 5 Wrong Marks : 1**

**Question Key Details :**

Key	Value
Comprehension	Comp1



Read the following literary passage. Answer Questions:-

**No Man is an Island**

No man is an island,  
Entire of itself,  
Every man is a piece of the continent,  
A part of the main,  
if a clod be washed away by the sea,  
Europe is the less.  
As well as if a promontory were,  
As well as if a manor of the friend's  
Or of thine own were:  
Any man's death diminishes me,  
Because I am involved in mankind,  
and therefore never send to know for whom the bell tolls;  
It tolls for thee.

What does the clause "for whom the bell tolls" entail?

1. The arrival of a guest
2. The arrival of death
3. The Sunday church mass
4. Time to Pray

**Options :**

- 485584135793. 1
- 485584135794. 2
- 485584135795. 3
- 485584135796. 4

**Question Number : 5 Question Id : 48558433950 Question Type : MCQ Option Shuffling : No Is Question Mandatory : No Calculator : None Response Time : N.A Think Time : N.A Minimum Instruction Time : 0**

**Correct Marks : 5 Wrong Marks : 1**

**Question Key Details :**

Key	Value
Comprehension	Comp1

Read the following literary passage. Answer Questions:-

### No Man is an Island

No man is an island,  
Entire of itself,  
Every man is a piece of the continent,  
A part of the main,  
if a clod be washed away by the sea,  
Europe is the less.  
As well as if a promontory were,  
As well as if a manor of the friend's  
Or of thine own were:  
Any man's death diminishes me,  
Because I am involved in mankind,  
and therefore never send to know for whom the bell tolls;  
It tolls for thee.

'No man is an Island' signifies that-

1. No man stands in isolation
2. All of humanity is connected
3. No man exists as a landmass
4. No island is inhabited by men

#### Options :

485584135797. 1  
485584135798. 2  
485584135799. 3  
485584135800. 4

**Sub-Section Number :** 2  
**Sub-Section Id :** 4855842507  
**Question Shuffling Allowed :** No  
**Is Section Default? :** null

**Question Number : 6 Question Id : 48558433951 Question Type : MCQ Option Shuffling : No Is Question Mandatory : No Calculator : None Response Time : N.A Think Time : N.A Minimum Instruction Time : 0**

**Correct Marks : 5 Wrong Marks : 1**

#### Question Key Details :

Key	Value
Comprehension	Comp2

Read the passage and answer the question:

This is an age-old tale. A mother and her daughter Satto, lived in a village. During that time, the forests were full of fruits and flowers. The women and girls of the village used to go and pluck these fruits and flowers. All of them used to pluck the sweet flowers of the *mahua* (*Bassia Latifolia*) tree, stored them at home and consumed them later.

One day, all of them plucked the sweet flowers and kept them in their rooms without drying them. Satto's mother was not at home. Satto dried the sweet flowers. As the flowers dried, they shrunk. Later on when Satto's mother came home, she found very little flowers and thought that either Satto had eaten the flowers or she had given them to the village girls. In her blind rage, she beat her daughter to death. The women and girls of the village told her that she killed her daughter for such a trivial issue. They asked her to soak the flowers in water. When she soaked the *mahuas*, they swelled up and the entire room was filled with the flowers. Satto's mother was full of remorse. She regretted the fact that she killed her daughter without thinking. She died because of grief.

She was reborn as the *pandak* bird. The *pandak* bird still sings this song-

'Daughter Satto, the *mahuas* were in proper quantity...'

According to the passage, What kind of tale is the translated story?

1. Fairy tale
2. Modern tale
3. Age-old tale
4. Disney tale

**Options :**

- 485584135801. 1
- 485584135802. 2
- 485584135803. 3
- 485584135804. 4

**Question Number : 7 Question Id : 48558433952 Question Type : MCQ Option Shuffling : No Is Question Mandatory : No Calculator : None Response Time : N.A Think Time : N.A Minimum Instruction Time : 0**

**Correct Marks : 5 Wrong Marks : 1**

**Question Key Details :**

Key	Value
Comprehension	Comp2

Read the passage and answer the question:

This is an age-old tale. A mother and her daughter Satto, lived in a village. During that time, the forests were full of fruits and flowers. The women and girls of the village used to go and pluck these fruits and flowers. All of them used to pluck the sweet flowers of the *mahua* (*Bassia Latifolia*) tree, stored them at home and consumed them later.

One day, all of them plucked the sweet flowers and kept them in their rooms without drying them. Satto's mother was not at home. Satto dried the sweet flowers. As the flowers dried, they shrunk. Later on when Satto's mother came home, she found very little flowers and thought that either Satto had eaten the flowers or she had given them to the village girls. In her blind rage, she beat her daughter to death. The women and girls of the village told her that she killed her daughter for such a trivial issue. They asked her to soak the flowers in water. When she soaked the *mahuas*, they swelled up and the entire room was filled with the flowers. Satto's mother was full of remorse. She regretted the fact that she killed her daughter without thinking. She died because of grief.

She was reborn as the *pandak* bird. The *pandak* bird still sings this song-

'Daughter Satto, the *mahuas* were in proper quantity...'

The antonym of the word 'remorse' is:

1. Regret
2. Rejoice
3. Repentance
4. Grief

**Options :**

- 485584135805. 1
- 485584135806. 2
- 485584135807. 3
- 485584135808. 4

**Question Number : 8 Question Id : 48558433953 Question Type : MCQ Option Shuffling : No Is Question Mandatory : No Calculator : None Response Time : N.A Think Time : N.A Minimum Instruction Time : 0**

**Correct Marks : 5 Wrong Marks : 1**

**Question Key Details :**

Key	Value
Comprehension	Comp2

Read the passage and answer the question:

This is an age-old tale. A mother and her daughter Satto, lived in a village. During that time, the forests were full of fruits and flowers. The women and girls of the village used to go and pluck these fruits and flowers. All of them used to pluck the sweet flowers of the *mahua* (*Bassia Latifolia*) tree, stored them at home and consumed them later.

One day, all of them plucked the sweet flowers and kept them in their rooms without drying them. Satto's mother was not at home. Satto dried the sweet flowers. As the flowers dried, they shrunk. Later on when Satto's mother came home, she found very little flowers and thought that either Satto had eaten the flowers or she had given them to the village girls. In her blind rage, she beat her daughter to death. The women and girls of the village told her that she killed her daughter for such a trivial issue. They asked her to soak the flowers in water. When she soaked the *mahuas*, they swelled up and the entire room was filled with the flowers. Satto's mother was full of remorse. She regretted the fact that she killed her daughter without thinking. She died because of grief.

She was reborn as the *pandak* bird. The *pandak* bird still sings this song-

'Daughter Satto, the *mahuas* were in proper quantity...'

As per the given passage, what was the mother reborn as?

1. an animal
2. a man
3. a woman
4. a bird

**Options :**

- 485584135809. 1
- 485584135810. 2
- 485584135811. 3
- 485584135812. 4

**Question Number : 9 Question Id : 48558433954 Question Type : MCQ Option Shuffling : No Is Question Mandatory : No Calculator : None Response Time : N.A Think Time : N.A Minimum Instruction Time : 0**

**Correct Marks : 5 Wrong Marks : 1**

**Question Key Details :**

Key	Value
Comprehension	Comp2

Read the passage and answer the question:

This is an age-old tale. A mother and her daughter Satto, lived in a village. During that time, the forests were full of fruits and flowers. The women and girls of the village used to go and pluck these fruits and flowers. All of them used to pluck the sweet flowers of the *mahua* (*Bassia Latifolia*) tree, stored them at home and consumed them later.

One day, all of them plucked the sweet flowers and kept them in their rooms without drying them. Satto's mother was not at home. Satto dried the sweet flowers. As the flowers dried, they shrunk. Later on when Satto's mother came home, she found very little flowers and thought that either Satto had eaten the flowers or she had given them to the village girls. In her blind rage, she beat her daughter to death. The women and girls of the village told her that she killed her daughter for such a trivial issue. They asked her to soak the flowers in water. When she soaked the *mahuas*, they swelled up and the entire room was filled with the flowers. Satto's mother was full of remorse. She regretted the fact that she killed her daughter without thinking. She died because of grief.

She was reborn as the *pandak* bird. The *pandak* bird still sings this song-

'Daughter Satto, the *mahuas* were in proper quantity...'

Why did the mother beat the daughter to death?

1. Because she went to pluck fruits and flowers without telling her.
2. Because Satto did not dry the flowers.
3. Because she thought Satto had eaten the flowers or given them to the village girls.
4. Because she was evil.

**Options :**

- 485584135813. 1
- 485584135814. 2
- 485584135815. 3
- 485584135816. 4

**Question Number : 10 Question Id : 48558433955 Question Type : MCQ Option Shuffling : No Is Question Mandatory : No Calculator : None Response Time : N.A Think Time : N.A Minimum Instruction Time : 0**

**Correct Marks : 5 Wrong Marks : 1**

**Question Key Details :**

Key	Value
Comprehension	Comp2

Read the passage and answer the question:

This is an age-old tale. A mother and her daughter Satto, lived in a village. During that time, the forests were full of fruits and flowers. The women and girls of the village used to go and pluck these fruits and flowers. All of them used to pluck the sweet flowers of the *mahua* (*Bassia Latifolia*) tree, stored them at home and consumed them later.

One day, all of them plucked the sweet flowers and kept them in their rooms without drying them. Satto's mother was not at home. Satto dried the sweet flowers. As the flowers dried, they shrunk. Later on when Satto's mother came home, she found very little flowers and thought that either Satto had eaten the flowers or she had given them to the village girls. In her blind rage, she beat her daughter to death. The women and girls of the village told her that she killed her daughter for such a trivial issue. They asked her to soak the flowers in water. When she soaked the *mahuas*, they swelled up and the entire room was filled with the flowers. Satto's mother was full of remorse. She regretted the fact that she killed her daughter without thinking. She died because of grief.

She was reborn as the *pandak* bird. The *pandak* bird still sings this song-

'Daughter Satto, the *mahuas* were in proper quantity...'

What happened Satto's mother soaked the flowers in water?

1. The entire room was filled with flowers as they soaked up
2. Satto came back to life
3. The flowers dissolved in water
4. The entire room was full of water

**Options :**

485584135817. 1

485584135818. 2

485584135819. 3

485584135820. 4

**Sub-Section Number :**

3

**Sub-Section Id :**

4855842508

**Question Shuffling Allowed :**

No

**Is Section Default? :**

null

**Question Number : 11 Question Id : 48558433956 Question Type : MCQ Option Shuffling : No Is Question Mandatory : No Calculator : None Response Time : N.A Think Time : N.A Minimum Instruction Time : 0**

**Correct Marks : 5 Wrong Marks : 1**

**Question Key Details :**

Key	Value
Comprehension	Comp3

Once I was an archaeologist's assistant. I wandered up and down the country probing, exploring, and digging, in search of antiquities, a most interesting occupation, although cynics sometimes called us "grave-diggers." I enjoyed the work immensely. I had a master who was a famous archaeologist called Doctor something or other. He was superb, timeless being, who lived a thousand years behind the times, and who wanted neither food nor roof nor riches if only he was allowed to gaze on undisturbed at an old coin or chip of a burial urn.

He had torn up the earth in almost all parts of India and had brought to light very valuable information concerning the history and outlook of people of remote centuries. His monographs on each of his excavations filled several shelves in all the important libraries. And then, as our good fortune would have it, he received an inspiration that Malgudi district was eminently diggable. I am not competent to explain how he got this idea, but there it was. Word was brought to me that the great man was staying in the dak bungalow and was in need of an assistant. Within an hour of hearing it I stood before the great man. He was sitting on the floor with the most crazy collection of articles in front of him pots and beads and useless coins and palm leaves, all of them rusty and decaying. he had a lens by his side, through which he looked at these articles and made notes.

What does the branch of archaeology study?

1. Study of Soil
2. Study of past by excavating ground
3. Study of medicine
4. Study of minerals

**Options :**

- 485584135821. 1
- 485584135822. 2
- 485584135823. 3
- 485584135824. 4

**Question Number : 12 Question Id : 48558433957 Question Type : MCQ Option Shuffling : No Is Question Mandatory : No Calculator : None Response Time : N.A Think Time : N.A Minimum Instruction Time : 0**

**Correct Marks : 5 Wrong Marks : 1**

**Question Key Details :**

Key	Value
Comprehension	Comp3



Once I was an archaeologist's assistant. I wandered up and down the country probing, exploring, and digging, in search of antiquities, a most interesting occupation, although cynics sometimes called us "grave-diggers." I enjoyed the work immensely. I had a master who was a famous archaeologist called Doctor something or other. He was superb, timeless being, who lived a thousand years behind the times, and who wanted neither food nor roof nor riches if only he was allowed to gaze on undisturbed at an old coin or chip of a burial urn.

He had torn up the earth in almost all parts of India and had brought to light very valuable information concerning the history and outlook of people of remote centuries. His monographs on each of his excavations filled several shelves in all the important libraries. And then, as our good fortune would have it, he received an inspiration that Malgudi district was eminently diggable. I am not competent to explain how he got this idea, but there it was. Word was brought to me that the great man was staying in the dak bungalow and was in need of an assistant. Within an hour of hearing it I stood before the great man. He was sitting on the floor with the most crazy collection of articles in front of him pots and beads and useless coins and palm leaves, all of them rusty and decaying. he had a lens by his side, through which he looked at these articles and made notes.

Match List I with List II

LIST I		LIST II	
A.	The archaeologist had keen interest in	I.	all the important libraries
B.	The archaeologist was in need of	II.	almost all parts of India
C.	His monographs on excavations filled in	III.	old coin or chip of a burial urn
D.	The archaeologist had worked in	IV.	an assitant

Choose the correct answer from the options given below:

1. A-II, B-III, C-IV, D-I
2. A-III, B-IV, C-I, D-II
3. A-IV, B-III, C-II, D-I
4. A-I, B-III, C-II, D-IV

**Options :**

- 485584135825. 1
- 485584135826. 2
- 485584135827. 3
- 485584135828. 4

**Question Number : 13 Question Id : 48558433958 Question Type : MCQ Option Shuffling : No Is Question Mandatory : No Calculator : None Response Time : N.A Think Time : N.A Minimum Instruction Time : 0**

**Correct Marks : 5 Wrong Marks : 1**

**Question Key Details :**

Key	Value
Comprehension	Comp3

Once I was an archaeologist's assistant. I wandered up and down the country probing, exploring, and digging, in search of antiquities, a most interesting occupation, although cynics sometimes called us "grave-diggers." I enjoyed the work immensely. I had a master who was a famous archaeologist called Doctor something or other. He was superb, timeless being, who lived a thousand years behind the times, and who wanted neither food nor roof nor riches if only he was allowed to gaze on undisturbed at an old coin or chip of a burial urn.

He had torn up the earth in almost all parts of India and had brought to light very valuable information concerning the history and outlook of people of remote centuries. His monographs on each of his excavations filled several shelves in all the important libraries. And then, as our good fortune would have it, he received an inspiration that Malgudi district was eminently diggable. I am not competent to explain how he got this idea, but there it was. Word was brought to me that the great man was staying in the dark bungalow and was in need of an assistant. Within an hour of hearing it I stood before the great man. He was sitting on the floor with the most crazy collection of articles in front of him pots and beads and useless coins and palm leaves, all of them rusty and decaying. He had a lens by his side, through which he looked at these articles and made notes.

In which place did the archaeologist suddenly take interest?

1. Dark bungalow
2. Indian villages
3. Malgudi
4. Tamil Nadu

**Options :**

- 485584135829. 1
- 485584135830. 2
- 485584135831. 3
- 485584135832. 4

**Question Number : 14 Question Id : 48558433959 Question Type : MCQ Option Shuffling : No Is Question Mandatory : No Calculator : None Response Time : N.A Think Time : N.A Minimum Instruction Time : 0**

**Correct Marks : 5 Wrong Marks : 1**

**Question Key Details :**

Key	Value
Comprehension	Comp3

Once I was an archaeologist's assistant. I wandered up and down the country probing, exploring, and digging, in search of antiquities, a most interesting occupation, although cynics sometimes called us "grave-diggers." I enjoyed the work immensely. I had a master who was a famous archaeologist called Doctor something or other. He was superb, timeless being, who lived a thousand years behind the times, and who wanted neither food nor roof nor riches if only he was allowed to gaze on undisturbed at an old coin or chip of a burial urn.

He had torn up the earth in almost all parts of India and had brought to light very valuable information concerning the history and outlook of people of remote centuries. His monographs on each of his excavations filled several shelves in all the important libraries. And then, as our good fortune would have it, he received an inspiration that Malgudi district was eminently diggable. I am not competent to explain how he got this idea, but there it was. Word was brought to me that the great man was staying in the dak bungalow and was in need of an assistant. Within an hour of hearing it I stood before the great man. He was sitting on the floor with the most crazy collection of articles in front of him pots and beads and useless coins and palm leaves, all of them rusty and decaying. he had a lens by his side, through which he looked at these articles and made notes.

How do cynics called archaeologists 'grave-diggers'?

1. Mockingly
2. Proudly
3. Admirably
4. Sincerely

**Options :**

- 485584135833. 1
- 485584135834. 2
- 485584135835. 3
- 485584135836. 4

**Question Number : 15 Question Id : 48558433960 Question Type : MCQ Option Shuffling : No Is Question Mandatory : No Calculator : None Response Time : N.A Think Time : N.A Minimum Instruction Time : 0**

**Correct Marks : 5 Wrong Marks : 1**

**Question Key Details :**

Key	Value
Comprehension	Comp3

Once I was an archaeologist's assistant. I wandered up and down the country probing, exploring, and digging, in search of antiquities, a most interesting occupation, although cynics sometimes called us "grave-diggers." I enjoyed the work immensely. I had a master who was a famous archaeologist called Doctor something or other. He was superb, timeless being, who lived a thousand years behind the times, and who wanted neither food nor roof nor riches if only he was allowed to gaze on undisturbed at an old coin or chip of a burial urn.

He had torn up the earth in almost all parts of India and had brought to light very valuable information concerning the history and outlook of people of remote centuries. His monographs on each of his excavations filled several shelves in all the important libraries. And then, as our good fortune would have it, he received an inspiration that Malgudi district was eminently diggable. I am not competent to explain how he got this idea, but there it was. Word was brought to me that the great man was staying in the dak bungalow and was in need of an assistant. Within an hour of hearing it I stood before the great man. He was sitting on the floor with the most crazy collection of articles in front of him pots and beads and useless coins and palm leaves, all of them rusty and decaying. he had a lens by his side, through which he looked at these articles and made notes.

How do you know the archaeologist is an eminent figure?

1. He looked at old artifacts
2. His important monographs are in all reputed libraries
3. He needs an assistant
4. He used lens to inspect articles

**Options :**

- 485584135837. 1
- 485584135838. 2
- 485584135839. 3
- 485584135840. 4

**Sub-Section Number :** 4  
**Sub-Section Id :** 4855842509  
**Question Shuffling Allowed :** Yes  
**Is Section Default? :** null

**Question Number : 16 Question Id : 48558433961 Question Type : MCQ Option Shuffling : No Is Question Mandatory : No Calculator : None Response Time : N.A Think Time : N.A Minimum Instruction Time : 0**

**Correct Marks : 5 Wrong Marks : 1**

**Question Key Details :**

Key	Value
Comprehension	MCQ

Convert the following sentence in Passive Voice by choosing the appropriate answer from the given list.

The soldiers promptly obeyed his command.

1. The command should be obeyed might now, soldiers.
2. The command was promptly obeyed by the soldiers.
3. Obey the command promptly soldiers!
4. The command is promptly obeyed by the soldiers.

**Options :**

- 485584135841. 1
- 485584135842. 2
- 485584135843. 3
- 485584135844. 4

**Question Number : 17 Question Id : 48558433962 Question Type : MCQ Option Shuffling : No Is Question Mandatory : No Calculator : None Response Time : N.A Think Time : N.A Minimum Instruction Time : 0**

**Correct Marks : 5 Wrong Marks : 1**

**Question Key Details :**

Key	Value
Comprehension	MCQ

Change the following Passive Voice to Active Voice by choosing the right answer from the given list.

'Somebody has invited them to lunch tomorrow'.

1. They have been invited to lunch by somebody tomorrow
2. They will go to lunch somebody's house the following day.
3. They have been invited to lunch tomorrow
4. They will be invited to lunch the next day.

**Options :**

- 485584135845. 1
- 485584135846. 2
- 485584135847. 3
- 485584135848. 4

**Question Number : 18 Question Id : 48558433963 Question Type : MCQ Option Shuffling : No Is Question Mandatory : No Calculator : None Response Time : N.A Think Time : N.A Minimum Instruction Time : 0**

**Correct Marks : 5 Wrong Marks : 1**

**Question Key Details :**

Key	Value
Comprehension	MCQ

Fill in the blank with an appropriate question tag:

Let's go to the beach, \_\_\_\_\_?

1. Can we?
2. Should we?
3. Can't we?
4. Shall we?

**Options :**

485584135849. 1  
485584135850. 2  
485584135851. 3  
485584135852. 4

**Question Number : 19 Question Id : 48558433964 Question Type : MCQ Option Shuffling : No Is Question Mandatory : No Calculator : None Response Time : N.A Think Time : N.A Minimum Instruction Time : 0**

**Correct Marks : 5 Wrong Marks : 1**

**Question Key Details :**

Key	Value
Comprehension	MCQ

From the given options, choose the appropriate meaning of the following phrase.

"AB INITIO".

1. at the end
2. from the beginning
3. to go to the gym
4. entry into a cult

**Options :**

485584135853. 1  
485584135854. 2  
485584135855. 3  
485584135856. 4

**Question Number : 20 Question Id : 48558433965 Question Type : MCQ Option Shuffling : No Is Question Mandatory : No Calculator : None Response Time : N.A Think Time : N.A Minimum Instruction Time : 0**

**Correct Marks : 5 Wrong Marks : 1**

**Question Key Details :**

Key	Value
Comprehension	MCQ

From the given options, choose the meaning for the given foreign word:

"MAGNUM OPUS"

1. Masterpiece
2. the worst opponent
3. dark chocolate
4. posterity

**Options :**

485584135857. 1  
485584135858. 2  
485584135859. 3  
485584135860. 4

**Question Number : 21 Question Id : 48558433966 Question Type : MCQ Option Shuffling : No Is Question Mandatory : No Calculator : None Response Time : N.A Think Time : N.A Minimum Instruction Time : 0**

**Correct Marks : 5 Wrong Marks : 1**

**Question Key Details :**

Key	Value
Comprehension	MCQ

Choose the option that demonstrates the most appropriate use of articles

1. The Secretary and a Treasurer are absent
2. The Secretary and the Treasurer are absent
3. Secretary and Treasurer are absent
4. The Secretary and Treasurer are absent

**Options :**

485584135861. 1  
485584135862. 2  
485584135863. 3  
485584135864. 4

**Question Number : 22 Question Id : 48558433967 Question Type : MCQ Option Shuffling : No Is Question Mandatory : No Calculator : None Response Time : N.A Think Time : N.A Minimum Instruction Time : 0**

**Correct Marks : 5 Wrong Marks : 1**

**Question Key Details :**

Key	Value
Comprehension	MCQ

Fill in the blank with an appropriate Article.

I am subscribed \_\_\_\_\_ the New York Times journal.

1. with
2. for
3. from
4. to

**Options :**

- 485584135865. 1
- 485584135866. 2
- 485584135867. 3
- 485584135868. 4

**Question Number : 23 Question Id : 48558433968 Question Type : MCQ Option Shuffling : No Is Question Mandatory : No Calculator : None Response Time : N.A Think Time : N.A Minimum Instruction Time : 0**

**Correct Marks : 5 Wrong Marks : 1**

**Question Key Details :**

Key	Value
Comprehension	MCQ

From the given options, choose the most appropriate meaning of the word:

"CARTOGRAPHER"

1. one who draws maps
2. study of fossils
3. one who collects stamps
4. a number of cases

**Options :**

- 485584135869. 1
- 485584135870. 2
- 485584135871. 3
- 485584135872. 4

**Question Number : 24 Question Id : 48558433969 Question Type : MCQ Option Shuffling : No Is Question Mandatory : No Calculator : None Response Time : N.A Think Time : N.A Minimum Instruction Time : 0**

**Correct Marks : 5 Wrong Marks : 1**

**Question Key Details :**

Key	Value
Comprehension	MCQ



Match the words in List I with their appropriate Synonyms in List II

LIST I		LIST II	
A.	Mortuary	I.	Home for the destitute
B.	Cantonment	II.	A place where money is coined
C.	Mint	III.	A place where dead bodies are temporarily kept
D.	Asylum	IV.	A place where soldiers are quartered

Choose the correct answer from the options given below:

1. A-II, B-III, C-IV, D-I
2. A-IV, B-II, C-III, D-I
3. A-III, B-IV, C-I, D-II
4. A-III, B-IV, C-II, D-I

**Options :**

485584135873. 1  
485584135874. 2  
485584135875. 3  
485584135876. 4

**Question Number : 25 Question Id : 48558433970 Question Type : MCQ Option Shuffling : No Is Question Mandatory : No Calculator : None Response Time : N.A Think Time : N.A Minimum Instruction Time : 0**

**Correct Marks : 5 Wrong Marks : 1**

**Question Key Details :**

Key	Value
Comprehension	MCQ

Arrange the following headings of a formal letter in the correct order.

- A. Sender's address
- B. Salutation
- C. Receiver's address
- D. Subject
- E. Date

Choose the correct answer from the options given below:

1. B, A, C, E, D
2. E, D, C, A, B
3. A, B, C, D, E
4. A, E, C, D, B

**Options :**

485584135877. 1  
485584135878. 2  
485584135879. 3

**Question Number : 26 Question Id : 48558433971 Question Type : MCQ Option Shuffling : No Is Question Mandatory : No Calculator : None Response Time : N.A Think Time : N.A Minimum Instruction Time : 0**

**Correct Marks : 5 Wrong Marks : 1**

**Question Key Details :**

Key	Value
Comprehension	MCQ

Complete the given sentence by rearranging the jumbled phrases and form a coherent sentences. Choose the most appropriate option.

The lender's public meeting was disrupted.

P. by a section of the audience

Q. any firm assurance

R. he had not given them

S. who felt that

1. P, S, R, Q

2. Q, P, S, R

3. R, Q, P, S

4. S, R, Q, P

**Options :**

485584135881. 1

485584135882. 2

485584135883. 3

485584135884. 4

**Question Number : 27 Question Id : 48558433972 Question Type : MCQ Option Shuffling : No Is Question Mandatory : No Calculator : None Response Time : N.A Think Time : N.A Minimum Instruction Time : 0**

**Correct Marks : 5 Wrong Marks : 1**

**Question Key Details :**

Key	Value
Comprehension	MCQ

Choosing the most appropriate answer from the given list. Convert the following sentence in Direct Speech to Indirect Speech.

"I am guilty", the defended said.

1. The defendant admitted that he was guilty

2. The defendant accepted his guilt

3. The defendant said yes he was guilty

4. The guilty defendant accepted his fault

**Options :**

- 485584135885. 1
- 485584135886. 2
- 485584135887. 3
- 485584135888. 4

**Question Number : 28 Question Id : 48558433973 Question Type : MCQ Option Shuffling : No Is Question Mandatory : No Calculator : None Response Time : N.A Think Time : N.A Minimum Instruction Time : 0**

**Correct Marks : 5 Wrong Marks : 1**

**Question Key Details :**

Key	Value
Comprehension	MCQ

Choosing the most appropriate answer from the given list, convert the following sentence in Indirect speech to Direct speech.

I asked Sara whether Bill had given her that ring.

1. "Did Bill willing to give that ring?", "I asked Sara.
2. "Did Bill give you that ring?", I asked Sara.
3. "Can Bill give you a ring?", I asked Sara.
4. "Should Bill give you rings?", I asked Sara.

**Options :**

- 485584135889. 1
- 485584135890. 2
- 485584135891. 3
- 485584135892. 4

**Question Number : 29 Question Id : 48558433974 Question Type : MCQ Option Shuffling : No Is Question Mandatory : No Calculator : None Response Time : N.A Think Time : N.A Minimum Instruction Time : 0**

**Correct Marks : 5 Wrong Marks : 1**

**Question Key Details :**

Key	Value
Comprehension	MCQ

Convert the following Exclamatory Sentence to Assertive Sentence:

What a Lovely House!

1. Oh! What a lovely house!
2. The house that I am looking at is very lonely
3. It was a very lovely house indeed
4. What a lovely house am I looking at

**Options :**

- 485584135893. 1
- 485584135894. 2

485584135895. 3

485584135896. 4

**Question Number : 30 Question Id : 48558433975 Question Type : MCQ Option Shuffling : No Is Question Mandatory : No Calculator : None Response Time : N.A Think Time : N.A Minimum Instruction Time : 0**

**Correct Marks : 5 Wrong Marks : 1**

**Question Key Details :**

Key	Value
Comprehension	MCQ

Fill in the blanks with the appropriate pair of Homonyms:

I heard an \_\_\_\_\_ when I was going to the tailor for \_\_\_\_\_.

1. alteration, altercation
2. altercation, alteration
3. alternative, alteration
4. alternative, altercation

**Options :**

485584135897. 1

485584135898. 2

485584135899. 3

485584135900. 4

**Question Number : 31 Question Id : 48558433976 Question Type : MCQ Option Shuffling : No Is Question Mandatory : No Calculator : None Response Time : N.A Think Time : N.A Minimum Instruction Time : 0**

**Correct Marks : 5 Wrong Marks : 1**

**Question Key Details :**

Key	Value
Comprehension	MCQ

Arrange the following sentence in the proper order:

- A. for total destruction
- B. However, whether we have the capacity
- C. Remains debated
- D. through nuclear annihilation or such

Choose the correct answer from the options given below:

1. C, A, D, B
2. A, B, C, D
3. B, A, D, C
4. D, C, B, A

**Options :**

485584135901. 1

485584135902. 2

485584135903. 3

485584135904. 4

**Question Number : 32 Question Id : 48558433977 Question Type : MCQ Option Shuffling : No Is Question Mandatory : No Calculator : None Response Time : N.A Think Time : N.A Minimum Instruction Time : 0**

**Correct Marks : 5 Wrong Marks : 1**

**Question Key Details :**

Key	Value
Comprehension	MCQ

Choose the best option to convert the given Assertive Sentence into Exclamatory Sentence:

I wish I knew more people here.

1. If only I knew more people here!
2. What a pity to have known more people here.
3. Oh! Fie! I know nobody here.
4. Alas! I could have known more people here.

**Options :**

485584135905. 1

485584135906. 2

485584135907. 3

485584135908. 4

**Question Number : 33 Question Id : 48558433978 Question Type : MCQ Option Shuffling : No Is Question Mandatory : No Calculator : None Response Time : N.A Think Time : N.A Minimum Instruction Time : 0**

**Correct Marks : 5 Wrong Marks : 1**

**Question Key Details :**

Key	Value
Comprehension	MCQ

Fill in the appropriate modals in List I with the sentences given in List II

LIST I		LIST II	
A.	How _____ you shout at your best friend?	I.	can
B.	_____ we go to the beach then?	II.	should
C.	No one _____ question the ways of God	III.	shall
D.	We _____ respect our elders	IV.	could

Choose the correct answer from the options given below:

1. A-I, B-IV, C-III, D-II
2. A-II, B-III, C-I, D-IV
3. A-IV, B-III, C-I, D-II
4. A-III, B-II, C-I, D-IV

**Options :**

- 485584135909. 1
- 485584135910. 2
- 485584135911. 3
- 485584135912. 4

**Question Number : 34 Question Id : 48558433979 Question Type : MCQ Option Shuffling : No Is Question Mandatory : No Calculator : None Response Time : N.A Think Time : N.A Minimum Instruction Time : 0**

**Correct Marks : 5 Wrong Marks : 1**

**Question Key Details :**

Key	Value
Comprehension	MCQ

Fill in the blank with a proper modal so that the sentence sounds like a promise.

I \_\_\_\_\_ help you.

- 1. might
- 2. shouldn't
- 3. can
- 4. will

**Options :**

- 485584135913. 1
- 485584135914. 2
- 485584135915. 3
- 485584135916. 4

**Question Number : 35 Question Id : 48558433980 Question Type : MCQ Option Shuffling : No Is Question Mandatory : No Calculator : None Response Time : N.A Think Time : N.A Minimum Instruction Time : 0**

**Correct Marks : 5 Wrong Marks : 1**

**Question Key Details :**

Key	Value
Comprehension	MCQ

Identify the Adjective Clause in the following sentence.

"The spot where the battle was fought is unknown".

- 1. The spot where
- 2. where the battle was fought
- 3. The spot where the battle was fought
- 4. the battle was

**Options :**

- 485584135917. 1
- 485584135918. 2
- 485584135919. 3
- 485584135920. 4

**Question Number : 36 Question Id : 48558433981 Question Type : MCQ Option Shuffling : No Is Question Mandatory : No Calculator : None Response Time : N.A Think Time : N.A Minimum Instruction Time : 0**

**Correct Marks : 5 Wrong Marks : 1**

**Question Key Details :**

Key	Value
Comprehension	MCQ

Identify the error in the following sentence.

Each girl and each boy was given a red pencil.

1. Each girl and each boy
2. was given
3. a red pencil
4. No error

**Options :**

- 485584135921. 1
- 485584135922. 2
- 485584135923. 3
- 485584135924. 4

**Question Number : 37 Question Id : 48558433982 Question Type : MCQ Option Shuffling : No Is Question Mandatory : No Calculator : None Response Time : N.A Think Time : N.A Minimum Instruction Time : 0**

**Correct Marks : 5 Wrong Marks : 1**

**Question Key Details :**

Key	Value
Comprehension	MCQ

Identify the error in the following sentence.

He was not able to concentrate because of the continual music being played next door.

1. He was not able to concentrate
2. because of the continual music
3. being played next door
4. No error

**Options :**

- 485584135925. 1
- 485584135926. 2
- 485584135927. 3
- 485584135928. 4

**Question Number : 38 Question Id : 48558433983 Question Type : MCQ Option Shuffling : No Is Question Mandatory : No Calculator : None Response Time : N.A Think Time : N.A Minimum Instruction Time : 0**

**Correct Marks : 5 Wrong Marks : 1**

**Question Key Details :**

<b>Key</b>	<b>Value</b>
Comprehension	MCQ

Match List I with List II : Words with their antonyms

LIST I		LIST II	
Words		Antonyms	
A.	Meticulous	I.	Neglect
B.	Abrupt	II.	Active
C.	Nurse	III.	Careless
D.	Ennui	IV.	Gradual

Choose the correct answer from the options given below:

1. A-I, B-II, C-III, D-IV
2. A-III, B-IV, C-I, D-II
3. A-II, B-I, C-IV, D-III
4. A-IV, B-II, C-III, D-I

**Options :**

485584135929. 1  
485584135930. 2  
485584135931. 3  
485584135932. 4

**Question Number : 39 Question Id : 48558433984 Question Type : MCQ Option Shuffling : No Is Question Mandatory : No Calculator : None Response Time : N.A Think Time : N.A Minimum Instruction Time : 0**

**Correct Marks : 5 Wrong Marks : 1**

**Question Key Details :**

<b>Key</b>	<b>Value</b>
Comprehension	MCQ

Choose the appropriate Antonym for the following word from the given list.

"ADRIOT"

1. Negate
2. Chumsy
3. Posture
4. Skillfull

**Options :**

485584135933. 1  
485584135934. 2  
485584135935. 3  
485584135936. 4



**Question Number : 40 Question Id : 48558433985 Question Type : MCQ Option Shuffling : No Is Question Mandatory : No Calculator : None Response Time : N.A Think Time : N.A Minimum Instruction Time : 0**

**Correct Marks : 5 Wrong Marks : 1**

**Question Key Details :**

Key	Value
Comprehension	MCQ

Arrange the following sentence in the correct order.

- A. how efficient an administrator
- B. all days long
- C. The courtiers need to tell the king
- D. he was

Choose the correct answer from the options given below:

- 1. C, A, D, B
- 2. B, C, A, D
- 3. D, A, B, C
- 4. A, B, C, D

**Options :**

- 485584135937. 1
- 485584135938. 2
- 485584135939. 3
- 485584135940. 4

**Question Number : 41 Question Id : 48558433986 Question Type : MCQ Option Shuffling : No Is Question Mandatory : No Calculator : None Response Time : N.A Think Time : N.A Minimum Instruction Time : 0**

**Correct Marks : 5 Wrong Marks : 1**

**Question Key Details :**

Key	Value
Comprehension	MCQ

Fill in the blank with an appropriate preposition in the following sentence.

The boy fell \_\_\_\_\_ the roof.

- 1. under
- 2. off
- 3. of
- 4. since

**Options :**

- 485584135941. 1
- 485584135942. 2
- 485584135943. 3
- 485584135944. 4

**Question Number : 42 Question Id : 48558433987 Question Type : MCQ Option Shuffling : No Is Question Mandatory : No Calculator : None Response Time : N.A Think Time : N.A Minimum Instruction Time : 0**

**Correct Marks : 5 Wrong Marks : 1**

**Question Key Details :**

Key	Value
Comprehension	MCQ

Fill in the blanks with the correct pair of preposition in the given sentence.

They lived \_\_\_\_\_ Gohana, a small town \_\_\_\_\_ Haryana.

1. at, in
2. in, from
3. at, from
4. in, at

**Options :**

- 485584135945. 1
- 485584135946. 2
- 485584135947. 3
- 485584135948. 4

**Question Number : 43 Question Id : 48558433988 Question Type : MCQ Option Shuffling : No Is Question Mandatory : No Calculator : None Response Time : N.A Think Time : N.A Minimum Instruction Time : 0**

**Correct Marks : 5 Wrong Marks : 1**

**Question Key Details :**

Key	Value
Comprehension	MCQ

Choose the sentence with the correct use of the idiom/phrase from the given list:

1. His son put off a blind eye prank
2. He turned a blind eye to his son's prank
3. His father's blind eye turned at his prank
4. He turned blind to his son's prank

**Options :**

- 485584135949. 1
- 485584135950. 2
- 485584135951. 3
- 485584135952. 4

**Question Number : 44 Question Id : 48558433989 Question Type : MCQ Option Shuffling : No Is Question Mandatory : No Calculator : None Response Time : N.A Think Time : N.A Minimum Instruction Time : 0**

**Correct Marks : 5 Wrong Marks : 1**

**Question Key Details :**

Key	Value
Comprehension	MCQ

Match the idioms/phrases in List I with its meaning in List II

LIST I		LIST II	
A.	murder in cold blood	I.	to be in trouble
B.	go places	II.	murder ruthlessly
C.	A fly in the ointment	III.	a problem in a situation
D.	in the soup	IV.	be successful

Choose the correct answer from the options given below:

1. A-I, B-III, C-IV, D-II
2. A-IV, B-III, C-I, D-II
3. A-III, B-II, C-I, D-IV
4. A-II, B-IV, C-III, D-I

**Options :**

485584135953. 1  
485584135954. 2  
485584135955. 3  
485584135956. 4

**Question Number : 45 Question Id : 48558433990 Question Type : MCQ Option Shuffling : No Is Question Mandatory : No Calculator : None Response Time : N.A Think Time : N.A Minimum Instruction Time : 0**

**Correct Marks : 5 Wrong Marks : 1**

**Question Key Details :**

Key	Value
Comprehension	MCQ

Fill in the blanks with the most appropriate phrasal verb from the alternatives given under the sentence.

In her old age she has no one to \_\_\_\_\_ her.

1. Look at
2. Look after
3. Look for
4. Look ones

**Options :**

485584135957. 1  
485584135958. 2  
485584135959. 3  
485584135960. 4

**Question Number : 46 Question Id : 48558433991 Question Type : MCQ Option Shuffling : No Is Question Mandatory : No Calculator : None Response Time : N.A Think Time : N.A Minimum Instruction Time : 0**

**Correct Marks : 5 Wrong Marks : 1**

**Question Key Details :**

Key	Value
Comprehension	MCQ

Fill in the blanks with the most suitable phrasal verb from the alternatives given under the sentence.

The college will \_\_\_\_\_ next week for summer vacation.

1. Break up
2. Open up
3. Close down
4. Shut up

**Options :**

- 485584135961. 1
- 485584135962. 2
- 485584135963. 3
- 485584135964. 4

**Question Number : 47 Question Id : 48558433992 Question Type : MCQ Option Shuffling : No Is Question Mandatory : No Calculator : None Response Time : N.A Think Time : N.A Minimum Instruction Time : 0**

**Correct Marks : 5 Wrong Marks : 1**

**Question Key Details :**

Key	Value
Comprehension	MCQ

Some part of the sentence is grammatically incorrect. Pick the error.

Another surprising change that I noticed in him in recent times is that he avoids to speak to me.

1. Another surprising change
2. that is noticed in him in recent time
3. is that he avoids
4. to speak to me

**Options :**

- 485584135965. 1
- 485584135966. 2
- 485584135967. 3
- 485584135968. 4

**Question Number : 48 Question Id : 48558433993 Question Type : MCQ Option Shuffling : No Is Question Mandatory : No Calculator : None Response Time : N.A Think Time : N.A Minimum Instruction Time : 0**

**Correct Marks : 5 Wrong Marks : 1**

**Question Key Details :**

Key	Value
Comprehension	MCQ

Identify the type of adverb in the following sentence.

"I therefore left my apartment".

1. Adverb of frequency
2. Adverb of manner
3. Adverb of reason
4. Adverb of Time

**Options :**

- 485584135969. 1
- 485584135970. 2
- 485584135971. 3
- 485584135972. 4

**Question Number : 49 Question Id : 48558433994 Question Type : MCQ Option Shuffling : No Is Question Mandatory : No Calculator : None Response Time : N.A Think Time : N.A Minimum Instruction Time : 0**

**Correct Marks : 5 Wrong Marks : 1**

**Question Key Details :**

Key	Value
Comprehension	MCQ

Fill in the blank with an appropriate adverb.

They have \_\_\_\_\_ faith in their Guru.

1. Fairly good
2. wholly
3. very
4. too much

**Options :**

- 485584135973. 1
- 485584135974. 2
- 485584135975. 3
- 485584135976. 4

**Question Number : 50 Question Id : 48558433995 Question Type : MCQ Option Shuffling : No Is Question Mandatory : No Calculator : None Response Time : N.A Think Time : N.A Minimum Instruction Time : 0**

**Correct Marks : 5 Wrong Marks : 1**

**Question Key Details :**

Key	Value
Comprehension	MCQ

Choose the salutation used in a formal letter from the given options.

1. yours lovingly
2. yours sincerely
3. yours truly
4. yours punctually

**Options :**

485584135977. 1  
485584135978. 2  
485584135979. 3  
485584135980. 4

## Hindi

<b>Group Number :</b>	2
<b>Group Id :</b>	485584769
<b>Group Maximum Duration :</b>	45
<b>Group Minimum Duration :</b>	45
<b>Show Attended Group? :</b>	No
<b>Edit Attended Group? :</b>	No
<b>Break time :</b>	0
<b>Group Marks :</b>	200
<b>Is this Group for Examiner? :</b>	No
<b>Examiner permission :</b>	Cant View
<b>Show Progress Bar? :</b>	No

## Hindi

<b>Section Id :</b>	485584887
<b>Section Number :</b>	1
<b>Section type :</b>	Online
<b>Mandatory or Optional :</b>	Mandatory
<b>Number of Questions :</b>	50
<b>Number of Questions to be attempted :</b>	40
<b>Section Marks :</b>	200
<b>Enable Mark as Answered Mark for Review and Clear Response :</b>	Yes
<b>Maximum Instruction Time :</b>	0
<b>Sub-Section Number :</b>	1
<b>Sub-Section Id :</b>	4855842510
<b>Question Shuffling Allowed :</b>	No
<b>Is Section Default? :</b>	null
<b>Sub-Section Number :</b>	2
<b>Sub-Section Id :</b>	4855842511
<b>Question Shuffling Allowed :</b>	No
<b>Is Section Default? :</b>	null
<b>Sub-Section Number :</b>	3
<b>Sub-Section Id :</b>	4855842512

<b>Question Shuffling Allowed :</b>	No
<b>Is Section Default? :</b>	null
<b>Sub-Section Number :</b>	4
<b>Sub-Section Id :</b>	4855842513
<b>Question Shuffling Allowed :</b>	Yes
<b>Is Section Default? :</b>	null

## Odia

<b>Group Number :</b>	3
<b>Group Id :</b>	485584770
<b>Group Maximum Duration :</b>	45
<b>Group Minimum Duration :</b>	45
<b>Show Attended Group? :</b>	No
<b>Edit Attended Group? :</b>	No
<b>Break time :</b>	0
<b>Group Marks :</b>	200
<b>Is this Group for Examiner? :</b>	No
<b>Examiner permission :</b>	Cant View
<b>Show Progress Bar? :</b>	No

## Odia

<b>Section Id :</b>	485584888
<b>Section Number :</b>	1
<b>Section type :</b>	Online
<b>Mandatory or Optional :</b>	Mandatory
<b>Number of Questions :</b>	50
<b>Number of Questions to be attempted :</b>	40
<b>Section Marks :</b>	200
<b>Enable Mark as Answered Mark for Review and Clear Response :</b>	Yes
<b>Maximum Instruction Time :</b>	0
<b>Sub-Section Number :</b>	1
<b>Sub-Section Id :</b>	4855842514
<b>Question Shuffling Allowed :</b>	No
<b>Is Section Default? :</b>	null
<b>Sub-Section Number :</b>	2
<b>Sub-Section Id :</b>	4855842515
<b>Question Shuffling Allowed :</b>	No
<b>Is Section Default? :</b>	null
<b>Sub-Section Number :</b>	3
<b>Sub-Section Id :</b>	4855842516
<b>Question Shuffling Allowed :</b>	No
<b>Is Section Default? :</b>	null
<b>Sub-Section Number :</b>	4
<b>Sub-Section Id :</b>	4855842517
<b>Question Shuffling Allowed :</b>	Yes
<b>Is Section Default? :</b>	null

## Punjabi

<b>Group Number :</b>	4
<b>Group Id :</b>	485584771
<b>Group Maximum Duration :</b>	45
<b>Group Minimum Duration :</b>	45
<b>Show Attended Group? :</b>	No
<b>Edit Attended Group? :</b>	No
<b>Break time :</b>	0
<b>Group Marks :</b>	200
<b>Is this Group for Examiner? :</b>	No
<b>Examiner permission :</b>	Cant View
<b>Show Progress Bar? :</b>	No

## Punjabi

<b>Section Id :</b>	485584889
<b>Section Number :</b>	1
<b>Section type :</b>	Online
<b>Mandatory or Optional :</b>	Mandatory
<b>Number of Questions :</b>	50
<b>Number of Questions to be attempted :</b>	40
<b>Section Marks :</b>	200
<b>Enable Mark as Answered Mark for Review and Clear Response :</b>	Yes
<b>Maximum Instruction Time :</b>	0
<b>Sub-Section Number :</b>	1
<b>Sub-Section Id :</b>	4855842518
<b>Question Shuffling Allowed :</b>	No
<b>Is Section Default? :</b>	null
<b>Sub-Section Number :</b>	2
<b>Sub-Section Id :</b>	4855842519
<b>Question Shuffling Allowed :</b>	No
<b>Is Section Default? :</b>	null
<b>Sub-Section Number :</b>	3
<b>Sub-Section Id :</b>	4855842520
<b>Question Shuffling Allowed :</b>	No
<b>Is Section Default? :</b>	null
<b>Sub-Section Number :</b>	4
<b>Sub-Section Id :</b>	4855842521
<b>Question Shuffling Allowed :</b>	Yes
<b>Is Section Default? :</b>	null

## Tamil

<b>Group Number :</b>	5
<b>Group Id :</b>	485584772
<b>Group Maximum Duration :</b>	45
<b>Group Minimum Duration :</b>	45
<b>Show Attended Group? :</b>	No
<b>Edit Attended Group? :</b>	No
<b>Break time :</b>	0
<b>Group Marks :</b>	200
<b>Is this Group for Examiner? :</b>	No



**Examiner permission :** Cant View  
**Show Progress Bar? :** No

## Tamil

**Section Id :** 485584890  
**Section Number :** 1  
**Section type :** Online  
**Mandatory or Optional :** Mandatory  
**Number of Questions :** 50  
**Number of Questions to be attempted :** 40  
**Section Marks :** 200  
**Enable Mark as Answered Mark for Review and Clear Response :** Yes  
**Maximum Instruction Time :** 0  
**Sub-Section Number :** 1  
**Sub-Section Id :** 4855842522  
**Question Shuffling Allowed :** No  
**Is Section Default? :** null  
**Sub-Section Number :** 2  
**Sub-Section Id :** 4855842523  
**Question Shuffling Allowed :** No  
**Is Section Default? :** null  
**Sub-Section Number :** 3  
**Sub-Section Id :** 4855842524  
**Question Shuffling Allowed :** No  
**Is Section Default? :** null  
**Sub-Section Number :** 4  
**Sub-Section Id :** 4855842525  
**Question Shuffling Allowed :** Yes  
**Is Section Default? :** null

## Spanish

**Group Number :** 6  
**Group Id :** 485584773  
**Group Maximum Duration :** 45  
**Group Minimum Duration :** 45  
**Show Attended Group? :** No  
**Edit Attended Group? :** No  
**Break time :** 0  
**Group Marks :** 200  
**Is this Group for Examiner? :** No  
**Examiner permission :** Cant View  
**Show Progress Bar? :** No

## Spanish

**Section Id :** 485584891  
**Section Number :** 1  
**Section type :** Online  
**Mandatory or Optional :** Mandatory

<b>Number of Questions :</b>	50
<b>Number of Questions to be attempted :</b>	40
<b>Section Marks :</b>	200
<b>Enable Mark as Answered Mark for Review and Clear Response :</b>	Yes
<b>Maximum Instruction Time :</b>	0
<b>Sub-Section Number :</b>	1
<b>Sub-Section Id :</b>	4855842526
<b>Question Shuffling Allowed :</b>	No
<b>Is Section Default? :</b>	null
<b>Sub-Section Number :</b>	2
<b>Sub-Section Id :</b>	4855842527
<b>Question Shuffling Allowed :</b>	No
<b>Is Section Default? :</b>	null
<b>Sub-Section Number :</b>	3
<b>Sub-Section Id :</b>	4855842528
<b>Question Shuffling Allowed :</b>	No
<b>Is Section Default? :</b>	null
<b>Sub-Section Number :</b>	4
<b>Sub-Section Id :</b>	4855842529
<b>Question Shuffling Allowed :</b>	Yes
<b>Is Section Default? :</b>	null

## **Anthropology**

<b>Group Number :</b>	7
<b>Group Id :</b>	485584774
<b>Group Maximum Duration :</b>	45
<b>Group Minimum Duration :</b>	45
<b>Show Attended Group? :</b>	No
<b>Edit Attended Group? :</b>	No
<b>Break time :</b>	0
<b>Group Marks :</b>	200
<b>Is this Group for Examiner? :</b>	No
<b>Examiner permission :</b>	Cant View
<b>Show Progress Bar? :</b>	No

## **Anthropology**

<b>Section Id :</b>	485584892
<b>Section Number :</b>	1
<b>Section type :</b>	Online
<b>Mandatory or Optional :</b>	Mandatory
<b>Number of Questions :</b>	50
<b>Number of Questions to be attempted :</b>	40
<b>Section Marks :</b>	200
<b>Enable Mark as Answered Mark for Review and Clear Response :</b>	Yes
<b>Maximum Instruction Time :</b>	0
<b>Sub-Section Number :</b>	1
<b>Sub-Section Id :</b>	4855842530
<b>Question Shuffling Allowed :</b>	Yes
<b>Is Section Default? :</b>	null

Question Number : 51 Question Id : 48558434206 Question Type : MCQ Option Shuffling : No Is Question Mandatory : No Calculator : None Response Time : N.A Think Time : N.A Minimum Instruction Time : 0  
 Correct Marks : 5 Wrong Marks : 1  
 Question Key Details :

Key	Value
Comprehension	MCQ

The science of genetics is an important discipline which deals with the:

1. Study of organism in their natural habitat
2. Study of relation of humans and their culture
3. Study of heredity or mechanism of inheritance
4. Study of micro-organism

Options :

- 485584136821. 1
- 485584136822. 2
- 485584136823. 3
- 485584136824. 4

Question Number : 51 Question Id : 48558434206 Question Type : MCQ Option Shuffling : No Is Question Mandatory : No Calculator : None Response Time : N.A Think Time : N.A Minimum Instruction Time : 0  
 Correct Marks : 5 Wrong Marks : 1  
 Question Key Details :

Key	Value
Comprehension	MCQ

ജനറ്റിക്സ് എന്ന പ്രധാനപ്പെട്ട ശാസ്ത്ര ശാഖ എന്തിനെപ്പറ്റിയാണ് പ്രതിപാദിക്കുന്നത്:

1. പ്രകൃത്യായുള്ള ആവാസ വ്യവസ്ഥയിൽ ജീവജാലങ്ങളെ പഠിക്കുക
2. മനുഷ്യന്റെ സംസ്കാരവും അവന്റെ ബന്ധവും പഠിക്കുക
3. പാരമ്പര്യപഠനമോ അല്ലെങ്കിൽ പാരമ്പര്യത്തിന്റെ രീതി പഠിക്കുക
4. സൂക്ഷ്മജീവീപഠനം

Options :

- 485584136821. 1
- 485584136822. 2
- 485584136823. 3
- 485584136824. 4

Question Number : 52 Question Id : 48558434207 Question Type : MCQ Option Shuffling : No Is Question Mandatory : No Calculator : None Response Time : N.A Think Time : N.A Minimum Instruction Time : 0  
 Correct Marks : 5 Wrong Marks : 1  
 Question Key Details :

Key	Value
Comprehension	MCQ

Scientists associated with rediscovery of Mendel's law were.

1. de Vries, Carrens and von Tschermak
2. Walter Sutton, Landsteiner and Theodore Boveri
3. Longdon Varies, James Watson and Mark Chose
4. Alfred Hershey, Peter Curtstein and Victor Hugo

**Options :**

- 485584136825. 1
- 485584136826. 2
- 485584136827. 3
- 485584136828. 4

**Question Number : 52 Question Id : 48558434207 Question Type : MCQ Option Shuffling : No Is Question Mandatory : No Calculator : None Response Time : N.A Think Time : N.A Minimum Instruction Time : 0**

**Correct Marks : 5 Wrong Marks : 1**

**Question Key Details :**

Key	Value
Comprehension	MCQ

മെൻഡലിന്റെ തത്വങ്ങൾ പുനർകണ്ടുപിടിച്ച ശാസ്ത്രജ്ഞർ ആരാക്കെ ?

1. ഡീവ്രീസ്, കോറൻസ്, വോൺ ടെഷ്മാക്ക്
2. വാൾട്ടർ സട്ടൺ, ലാന്റ്സ്റ്റീനർ, തിയഡോർ ബോവറി
3. ലോങ്ങ്റ്റോൺ വേരിസ്, ജെയിംസ് വാട്ട്സൺ, മാർക്ക് ചോസ്
4. ആൽഫ്രഡ് ഹെർഷി, പീറ്റർ കൂർട്ട്സ്റ്റീൻ, വിക്ടർ ഹ്യൂഗോ

**Options :**

- 485584136825. 1
- 485584136826. 2
- 485584136827. 3
- 485584136828. 4

**Question Number : 53 Question Id : 48558434208 Question Type : MCQ Option Shuffling : No Is Question Mandatory : No Calculator : None Response Time : N.A Think Time : N.A Minimum Instruction Time : 0**

**Correct Marks : 5 Wrong Marks : 1**

**Question Key Details :**

Key	Value
Comprehension	MCQ

The production of gametes by the parents, the formation of the Zygotes, the F1 and F2 plants can be understood from a diagram called as:

1. Mendel Square
2. Punnett Square
3. Watson Square
4. Francis Crick Square

**Options :**

- 485584136829. 1
- 485584136830. 2
- 485584136831. 3
- 485584136832. 4

**Question Number : 53 Question Id : 48558434208 Question Type : MCQ Option Shuffling : No Is Question Mandatory : No Calculator : None Response Time : N.A Think Time : N.A Minimum Instruction Time : 0**

**Correct Marks : 5 Wrong Marks : 1**

**Question Key Details :**

Key	Value
Comprehension	MCQ

മാതാപിതാക്കളുടെ ഗമീറ്റുകൾ, സൈഗോട്ട് ഉണ്ടാക്കൽ, F1, F2 സസ്യങ്ങൾ ഇവ ഏത് ഡയഗ്രാം വഴി മനസ്സിലാക്കാൻ സാധിക്കും.

1. മെൻഡൽ സ്ക്വയർ
2. പുണ്ണറ്റ് സ്ക്വയർ
3. വാട്ടൺ സ്ക്വയർ
4. ഫ്രാൻസിസ് ക്രിക്ക് സ്ക്വയർ

**Options :**

- 485584136829. 1
- 485584136830. 2
- 485584136831. 3
- 485584136832. 4

**Question Number : 54 Question Id : 48558434209 Question Type : MCQ Option Shuffling : No Is Question Mandatory : No Calculator : None Response Time : N.A Think Time : N.A Minimum Instruction Time : 0**

**Correct Marks : 5 Wrong Marks : 1**

**Question Key Details :**

Key	Value
Comprehension	MCQ

The belief without scientific basis that some "races" are inferior to others is known as:

1. Ethnocentrism
2. Racism
3. Cultural relativism
4. Animatism

**Options :**

- 485584136833. 1
- 485584136834. 2
- 485584136835. 3
- 485584136836. 4

**Question Number : 54 Question Id : 48558434209 Question Type : MCQ Option Shuffling : No Is Question Mandatory : No Calculator : None Response Time : N.A Think Time : N.A Minimum Instruction Time : 0**

**Correct Marks : 5 Wrong Marks : 1**

**Question Key Details :**

Key	Value
Comprehension	MCQ

ശാസ്ത്രീയ അടിസ്ഥാനമില്ലാതെ ചില വർഗ്ഗങ്ങൾക്കാർ മറ്റുള്ളവരേക്കാളും താഴ്ന്നത് എന്ന് വിശ്വസിക്കുന്നത് -

1. എത്നോസെൻട്രിസം
2. റേസിസം
3. കൾച്ചറൽ റിലേറ്റീവിസം
4. ആനിമാറ്റിസം

**Options :**

- 485584136833. 1
- 485584136834. 2
- 485584136835. 3
- 485584136836. 4

**Question Number : 55 Question Id : 48558434210 Question Type : MCQ Option Shuffling : No Is Question Mandatory : No Calculator : None Response Time : N.A Think Time : N.A Minimum Instruction Time : 0**

**Correct Marks : 5 Wrong Marks : 1**

**Question Key Details :**

Key	Value
Comprehension	MCQ

The Fibrinogen has got some special features. It may cause clotting in whole blood by creating certain fibrous substances known as:

- 1. Clot
- 2. Lymph
- 3. PLASMA
- 4. Fibrin

**Options :**

- 485584136837. 1
- 485584136838. 2
- 485584136839. 3
- 485584136840. 4

**Question Number : 55 Question Id : 48558434210 Question Type : MCQ Option Shuffling : No Is Question Mandatory : No Calculator : None Response Time : N.A Think Time : N.A Minimum Instruction Time : 0**

**Correct Marks : 5 Wrong Marks : 1**

**Question Key Details :**

Key	Value
Comprehension	MCQ

ഹൈബ്രിനോജൻ ചില പ്രത്യേക സവിശേഷതകൾ ഉണ്ട്. അത് രക്തം കട്ടപിടിക്കാനായി ഉല്പാദിപ്പിക്കുന്ന ചില നാരുപോലുള്ള വസ്തുക്കളെ വിളിക്കുന്നത്.

- 1. ക്ലോട്ട്
- 2. ലിംഫ്
- 3. പ്ലാസ്മ
- 4. ഹൈബ്രിൻ

**Options :**

- 485584136837. 1
- 485584136838. 2
- 485584136839. 3
- 485584136840. 4

**Question Number : 56 Question Id : 48558434211 Question Type : MCQ Option Shuffling : No Is Question Mandatory : No Calculator : None Response Time : N.A Think Time : N.A Minimum Instruction Time : 0**

**Correct Marks : 5 Wrong Marks : 1**

**Question Key Details :**

Key	Value
Comprehension	MCQ

Match List I with List II

LIST I Persons of blood group		LIST II Can receive blood from persons having blood group	
A.	A	I.	O
B.	B	II.	A, B, AB, O
C.	AB	III.	B, O
D.	O	IV.	A, O

Choose the correct answer from the options given below:

1. A-IV, B-II, C-III, D-I
2. A-I, B-II, C-III, D-IV
3. A-IV, B-III, C-II, D-I
4. A-II, B-III, C-I, D-IV

Options :

485584136841. 1  
 485584136842. 2  
 485584136843. 3  
 485584136844. 4

Question Number : 56 Question Id : 48558434211 Question Type : MCQ Option Shuffling : No Is Question Mandatory : No Calculator : None Response Time : N.A Think Time : N.A Minimum Instruction Time : 0

Correct Marks : 5 Wrong Marks : 1

Question Key Details :

Key	Value
Comprehension	MCQ

പട്ടിക I ഉം പട്ടിക II ഉം ചേർക്കുക

പട്ടിക I രക്തഗ്രൂപ്പുള്ള ആളുകൾ		പട്ടിക II രക്തം സ്വീകരിക്കാൻ പറ്റുന്ന ആൾക്കാർ	
A.	A	I.	O
B.	B	II.	A, B, AB, O
C.	AB	III.	B, O
D.	O	IV.	A, O

ശരിയായ ഉത്തരം താഴെ തന്നിരിക്കുന്ന ഓപ്ഷനിൽ നിന്നും തിരഞ്ഞെടുക്കുക:

1. A-IV, B-II, C-III, D-I
2. A-I, B-II, C-III, D-IV
3. A-IV, B-III, C-II, D-I
4. A-II, B-III, C-I, D-IV

Options :



485584136841. 1  
485584136842. 2  
485584136843. 3  
485584136844. 4

**Question Number : 57 Question Id : 48558434212 Question Type : MCQ Option Shuffling : No Is Question Mandatory : No Calculator : None Response Time : N.A Think Time : N.A Minimum Instruction Time : 0**

**Correct Marks : 5 Wrong Marks : 1**

**Question Key Details :**

Key	Value
Comprehension	MCQ

Write the following in chronological order beginning from the oldest to the newest.

- A. Microliths
- B. Copper - clay culture
- C. Core tool industry
- D. Flake tool culture
- E. Blade tool culture

Choose the correct answer from the options given below:

- 1. A, B, C, D, E
- 2. C, D, A, B, E
- 3. E, A, B, C, D
- 4. C, D, E, A, B

**Options :**

485584136845. 1  
485584136846. 2  
485584136847. 3  
485584136848. 4

**Question Number : 57 Question Id : 48558434212 Question Type : MCQ Option Shuffling : No Is Question Mandatory : No Calculator : None Response Time : N.A Think Time : N.A Minimum Instruction Time : 0**

**Correct Marks : 5 Wrong Marks : 1**

**Question Key Details :**

Key	Value
Comprehension	MCQ

പഴയതിൽ നിന്നും പുതിയതിലേക്ക് കാലാനുക്രമമായ രീതിയിൽ എഴുതുക.

- A. മൈക്രോലിത്തുകൾ
- B. ചെമ്പ് - ക്ലോ കൾച്ചർ
- C. കോയു ടൂൾ ഇൻഡസ്ട്രി
- D. ഫ്ലോക്ക് ടൂൾ ഇൻഡസ്ട്രി
- E. ബ്ലേഡ് ടൂൾ കൾച്ചർ

ശരിയായ ഉത്തരം താഴെ തന്നിരിക്കുന്ന ഓപ്ഷനിൽ നിന്നും തിരഞ്ഞെടുക്കുക:

- 1. A, B, C, D, E
- 2. C, D, A, B, E
- 3. E, A, B, C, D
- 4. C, D, E, A, B

**Options :**

- 485584136845. 1
- 485584136846. 2
- 485584136847. 3
- 485584136848. 4

**Question Number : 58 Question Id : 48558434213 Question Type : MCQ Option Shuffling : No Is Question Mandatory : No Calculator : None Response Time : N.A Think Time : N.A Minimum Instruction Time : 0**

**Correct Marks : 5 Wrong Marks : 1**

**Question Key Details :**

Key	Value
Comprehension	MCQ

To determine the genotype of a tall plant at  $F_2$  generation, Mendel crossed the tall plant from  $F_2$  generation with a dwarf plant. This he called as:

- 1. Monohybrid Cross
- 2. Dihybrid Cross
- 3. Back Cross
- 4. Test Cross

**Options :**

- 485584136849. 1
- 485584136850. 2
- 485584136851. 3
- 485584136852. 4

**Question Number : 58 Question Id : 48558434213 Question Type : MCQ Option Shuffling : No Is Question Mandatory : No Calculator : None Response Time : N.A Think Time : N.A Minimum Instruction Time : 0**

**Correct Marks : 5 Wrong Marks : 1**

**Question Key Details :**

Key	Value
-----	-------

Comprehension	MCQ
---------------	-----

F<sub>2</sub> തലമുറയിലെ ജീനോടൈപ്പ് കണ്ടുപിടിക്കാനായി മെൻഡൽ പൊക്കമുള്ള ഒരു ചെടിയും, പൊക്കം കുറഞ്ഞ ഒരു ചെടിയും തമ്മിൽ ചേർത്തു. ഇതിനെ അദ്ദേഹം വിളിച്ച പേര് എന്ത്?

1. മോണോഹൈബ്രിഡ് ക്രോസ്സ്
2. ഡൈഹൈബ്രിഡ് ക്രോസ്സ്
3. ബാക്ക് ക്രോസ്സ്
4. ടെസ്റ്റ് ക്രോസ്സ്

**Options :**

- 485584136849. 1
- 485584136850. 2
- 485584136851. 3
- 485584136852. 4

**Question Number : 59 Question Id : 48558434214 Question Type : MCQ Option Shuffling : No Is Question Mandatory : No Calculator : None Response Time : N.A Think Time : N.A Minimum Instruction Time : 0**

**Correct Marks : 5 Wrong Marks : 1**

**Question Key Details :**

Key	Value
Comprehension	MCQ

Which of the following does not belong to the Mendel's law of inheritance.

1. Law of Dominance
2. Law of Segregation
3. Use and Disuse of organs
4. Law of Purity of gametes

**Options :**

- 485584136853. 1
- 485584136854. 2
- 485584136855. 3
- 485584136856. 4

**Question Number : 59 Question Id : 48558434214 Question Type : MCQ Option Shuffling : No Is Question Mandatory : No Calculator : None Response Time : N.A Think Time : N.A Minimum Instruction Time : 0**

**Correct Marks : 5 Wrong Marks : 1**

**Question Key Details :**

Key	Value
Comprehension	MCQ

മെൻഡലിന്റെ തത്വങ്ങളിൽ വരാത്തത് ഏത് ?

1. ലോ ഓഫ് ഡോമിനൻസ്
2. ലോ ഓഫ് സെഗ്രിഗേഷൻ
3. യൂസ് ആന്റ് ഡിസ്യൂസ് ഓഫ് ഓർഗൻസ്
4. ലോ ഓഫ് പ്യൂരിറ്റി ഓഫ് ഗമീറ്റസ്

**Options :**

485584136853. 1  
485584136854. 2  
485584136855. 3  
485584136856. 4

**Question Number : 60 Question Id : 48558434215 Question Type : MCQ Option Shuffling : No Is Question Mandatory : No Calculator : None Response Time : N.A Think Time : N.A Minimum Instruction Time : 0**

**Correct Marks : 5 Wrong Marks : 1**

**Question Key Details :**

Key	Value
Comprehension	MCQ

Which of the following are considered as primary race ?

- A. Mongoloid
- B. Australoid
- C. Veddoid
- D. Negroid
- E. Caucasoid

Choose the correct answer from the options given below:

1. A, D and E only
2. A, B and C only
3. B, C and D only
4. C, D and E only

**Options :**

485584136857. 1  
485584136858. 2  
485584136859. 3  
485584136860. 4

**Question Number : 60 Question Id : 48558434215 Question Type : MCQ Option Shuffling : No Is Question Mandatory : No Calculator : None Response Time : N.A Think Time : N.A Minimum Instruction Time : 0**

**Correct Marks : 5 Wrong Marks : 1**

**Question Key Details :**

Key	Value
Comprehension	MCQ

തന്നിരിക്കുന്നതിൽ പ്രഥമ വർഗ്ഗമേത് ?

- A. മങ്കളോയ്
- B. ഓസ്ട്രലോയ്
- C. വെസ്റ്റോയ്
- D. നീഗ്രോയ്
- E. ക്വാസോയ്

ശരിയായ ഉത്തരം താഴെ തന്നിരിക്കുന്ന ഓപ്ഷനിൽ നിന്നും തിരഞ്ഞെടുക്കുക:

- 1. A, D, E മാത്രം
- 2. A, B, C മാത്രം
- 3. B, C, D മാത്രം
- 4. C, D, E മാത്രം

**Options :**

- 485584136857. 1
- 485584136858. 2
- 485584136859. 3
- 485584136860. 4

**Question Number : 61 Question Id : 48558434216 Question Type : MCQ Option Shuffling : No Is Question Mandatory : No Calculator : None Response Time : N.A Think Time : N.A Minimum Instruction Time : 0**

**Correct Marks : 5 Wrong Marks : 1**

**Question Key Details :**

Key	Value
Comprehension	MCQ

Match List I with List II

LIST I		LIST II	
A.	Anvil technique	I.	Swinging blow method
B.	Blade technique	II.	Negative Bulb of Percussion
C.	Clactonian technique	III.	Blade Tools
D.	Stone hammer technique	IV.	Handaxes

Choose the correct answer from the options given below:

- 1. A-IV, B-II, C-I, D-III
- 2. A-IV, B-III, C-I, D-II
- 3. A-I, B-II, C-III, D-IV
- 4. A-II, B-III, C-IV, D-I

**Options :**

- 485584136861. 1
- 485584136862. 2
- 485584136863. 3

485584136864. 4

Question Number : 61 Question Id : 48558434216 Question Type : MCQ Option Shuffling : No Is Question Mandatory : No Calculator : None Response Time : N.A Think Time : N.A Minimum Instruction Time : 0

Correct Marks : 5 Wrong Marks : 1

Question Key Details :

Key	Value
Comprehension	MCQ

പട്ടിക I ഉം പട്ടിക II ഉം ചേർക്കുക

പട്ടിക I		പട്ടിക II	
A. അൻവിലം	I. ലാർജ്ജ് ഫ്ലൈം		
B. ബ്ലൈം	II. പെർക്കൂഷൻ		
C. ക്ലാസ്സീഫൈൻ	III. ബ്ലൈം		
D. ബ്ലൈം	IV. ഹാൻഡ്		

ശരിയായ ഉത്തരം തിരഞ്ഞെടുക്കുക:

1. A-IV, B-II, C-I, D-III
2. A-IV, B-III, C-I, D-II
3. A-I, B-II, C-III, D-IV
4. A-II, B-III, C-IV, D-I

Options :

485584136861. 1
485584136862. 2
485584136863. 3
485584136864. 4

Question Number : 62 Question Id : 48558434217 Question Type : MCQ Option Shuffling : No Is Question Mandatory : No Calculator : None Response Time : N.A Think Time : N.A Minimum Instruction Time : 0

Correct Marks : 5 Wrong Marks : 1

Question Key Details :

Key	Value
Comprehension	MCQ

The first metal used in the human culture to make various implements was:

1. Bronze
2. Iron
3. Zinc
4. Copper

Options :

485584136865. 1
485584136866. 2
485584136867. 3

**Question Number : 62 Question Id : 48558434217 Question Type : MCQ Option Shuffling : No Is Question Mandatory : No Calculator : None Response Time : N.A Think Time : N.A Minimum Instruction Time : 0**

**Correct Marks : 5 Wrong Marks : 1**

**Question Key Details :**

Key	Value
Comprehension	MCQ

വിവിധ വസ്തുക്കൾ നിർമ്മിക്കാനായി മനുഷ്യ സംസ്കാരത്തിൽ ഉപയോഗിച്ച ആദ്യ ലോഹമേൽ:

1. ബ്രോൺസ്
2. ഇരുമ്പ്
3. സിങ്ക്
4. ചെമ്പ്

**Options :**

485584136865. 1  
485584136866. 2  
485584136867. 3  
485584136868. 4

**Question Number : 63 Question Id : 48558434218 Question Type : MCQ Option Shuffling : No Is Question Mandatory : No Calculator : None Response Time : N.A Think Time : N.A Minimum Instruction Time : 0**

**Correct Marks : 5 Wrong Marks : 1**

**Question Key Details :**

Key	Value
Comprehension	MCQ

Chopper - Chopping comprises of which of the following types?

- A. Pebble tool
- B. Chopper
- C. Chopping
- D. Proto handaxe
- E. Points

Choose the correct answer from the options given below:

1. A, B, C, E only
2. B, C, D and E only
3. A, B, C and D only
4. A, B, and E only

**Options :**

485584136869. 1  
485584136870. 2

485584136871. 3

485584136872. 4

Question Number : 63 Question Id : 48558434218 Question Type : MCQ Option Shuffling : No Is Question Mandatory : No Calculator : None Response Time : N.A Think Time : N.A Minimum Instruction Time : 0

Correct Marks : 5 Wrong Marks : 1

Question Key Details :

Key	Value
Comprehension	MCQ

തന്നിരിക്കുന്നവയിൽ ചോപ്പർ - ചോപ്പിങ്ങിന് പകരം വയ്ക്കാവുന്നതേതൊക്കെ?

- A. പെബ്ബിൾ ടൂൾ
- B. ചോപ്പർ
- C. ചോപ്പിങ്ങ്
- D. പ്രോട്ടോ ഹാൻഡ് തൂക്ക്
- E. പോയിന്റ്സ്

ശരിയായ ഉത്തരം താഴെ തന്നിരിക്കുന്ന ഓപ്ഷനിൽ നിന്നും തിരഞ്ഞെടുക്കുക:

- 1. A, B, C, E മാത്രം
- 2. B, C, D, E മാത്രം
- 3. A, B, C, D മാത്രം
- 4. A, B, E മാത്രം

Options :

- 485584136869. 1
- 485584136870. 2
- 485584136871. 3
- 485584136872. 4

Question Number : 64 Question Id : 48558434219 Question Type : MCQ Option Shuffling : No Is Question Mandatory : No Calculator : None Response Time : N.A Think Time : N.A Minimum Instruction Time : 0

Correct Marks : 5 Wrong Marks : 1

Question Key Details :

Key	Value
Comprehension	MCQ

\_\_\_\_\_ is believed to have dominated the Middle Palaeolithic stage of human culture.

- 1. Homo-sapien sapien
- 2. Narmada man
- 3. Neanderthal man
- 4. Homo erectus

Options :

- 485584136873. 1



485584136874. 2  
485584136875. 3  
485584136876. 4

**Question Number : 64 Question Id : 48558434219 Question Type : MCQ Option Shuffling : No Is Question Mandatory : No Calculator : None Response Time : N.A Think Time : N.A Minimum Instruction Time : 0**

**Correct Marks : 5 Wrong Marks : 1**

**Question Key Details :**

Key	Value
Comprehension	MCQ

മനുഷ്യസംസ്കാരത്തിൽ പാലിയോലിത്തിക് കാലത്തിന്റെ മദ്ധ്യത്തിൽ കൂടുതൽ കണ്ടിരുന്ന വർഗ്ഗമാണ് \_\_\_\_\_.

1. ഹോമോ സാപ്പിയൻസ് സാപ്പിയൻസ്
2. നർമ്മദാ മനുഷ്യൻ
3. നീയാണ്ടർത്തൽ മനുഷ്യൻ
4. ഹോമോ ഇറക്ടസ്

**Options :**

485584136873. 1  
485584136874. 2  
485584136875. 3  
485584136876. 4

**Question Number : 65 Question Id : 48558434220 Question Type : MCQ Option Shuffling : No Is Question Mandatory : No Calculator : None Response Time : N.A Think Time : N.A Minimum Instruction Time : 0**

**Correct Marks : 5 Wrong Marks : 1**

**Question Key Details :**

Key	Value
Comprehension	MCQ

The earliest occurrence of Middle Palaeolithic cultural phase in India is dated around:

1. 1,00,000 BC
2. 10,000 BC
3. 36,000 BC
4. 3,60,000 BC

**Options :**

485584136877. 1  
485584136878. 2  
485584136879. 3  
485584136880. 4

**Question Number : 65 Question Id : 48558434220 Question Type : MCQ Option Shuffling : No Is Question Mandatory : No Calculator : None Response Time : N.A Think Time : N.A Minimum Instruction Time : 0**

Correct Marks : 5 Wrong Marks : 1

Question Key Details :

Key	Value
Comprehension	MCQ

ഭാരതത്തിലെ മദ്ധ്യ പാലിയോലിത്തിക്ക് സംസ്കാരഘട്ടം കാണുന്നത്.

1. 1,00,000 ബി.സി
2. 10,000 ബി.സി
3. 36,000 ബി.സി
4. 3,60,000 ബി.സി

Options :

485584136877. 1  
485584136878. 2  
485584136879. 3  
485584136880. 4

Question Number : 66 Question Id : 48558434221 Question Type : MCQ Option Shuffling : No Is Question Mandatory : No Calculator : None Response Time : N.A Think Time : N.A Minimum Instruction Time : 0

Correct Marks : 5 Wrong Marks : 1

Question Key Details :

Key	Value
Comprehension	MCQ

The transitional period between Upper Palaeolithic and Neolithic is:

1. Lower Palaeolithic
2. Middle Palaeolithic
3. Mesolithic
4. Chalcolithic Culture

Options :

485584136881. 1  
485584136882. 2  
485584136883. 3  
485584136884. 4

Question Number : 66 Question Id : 48558434221 Question Type : MCQ Option Shuffling : No Is Question Mandatory : No Calculator : None Response Time : N.A Think Time : N.A Minimum Instruction Time : 0

Correct Marks : 5 Wrong Marks : 1

Question Key Details :

Key	Value
Comprehension	MCQ

അപ്പർ പാലിയോലിത്തിക്കിനും, നിയോലിത്തിക്ക് കാലത്തിനുമിടയ്ക്കുള്ള മാറുന്ന കാലഘട്ടത്തെ വിളിക്കുന്ന പേര്.

1. ലോവർ പാലിയോലിത്തിക്ക്
2. മിഡിൽ പാലിയോലിത്തിക്ക്
3. മീസോലിത്തിക്ക്
4. ചാൾക്കോലിത്തിക്ക് സംസ്കാരം

**Options :**

- 485584136881. 1
- 485584136882. 2
- 485584136883. 3
- 485584136884. 4

**Question Number : 67 Question Id : 48558434222 Question Type : MCQ Option Shuffling : No Is Question Mandatory : No Calculator : None Response Time : N.A Think Time : N.A Minimum Instruction Time : 0**

**Correct Marks : 5 Wrong Marks : 1**

**Question Key Details :**

Key	Value
Comprehension	MCQ

The earliest manifestation of Neolithic Culture in South India is seen at.

1. Burzahom
2. Bagor
3. Sanganakallu
4. Hathnora

**Options :**

- 485584136885. 1
- 485584136886. 2
- 485584136887. 3
- 485584136888. 4

**Question Number : 67 Question Id : 48558434222 Question Type : MCQ Option Shuffling : No Is Question Mandatory : No Calculator : None Response Time : N.A Think Time : N.A Minimum Instruction Time : 0**

**Correct Marks : 5 Wrong Marks : 1**

**Question Key Details :**

Key	Value
Comprehension	MCQ

തെക്കേ ഇന്ത്യയിലെ ആദ്യകാല നിയോലിത്തിക് ആവിഷാരങ്ങൾ കണ്ടത്.

1. ബുർസാഹോം
2. ബാഗോർ
3. സങ്കനകല്ലൂ
4. ഹാത്തീനോറ

**Options :**

485584136885. 1  
485584136886. 2  
485584136887. 3  
485584136888. 4

**Question Number : 68 Question Id : 48558434223 Question Type : MCQ Option Shuffling : No Is Question Mandatory : No Calculator : None Response Time : N.A Think Time : N.A Minimum Instruction Time : 0**

**Correct Marks : 5 Wrong Marks : 1**

**Question Key Details :**

Key	Value
Comprehension	MCQ

Arrange the following in chronological order beginning with the oldest first.

- A. Lower Palaeolithic
- B. Neolithic
- C. Middle Palaeolithic
- D. Mesolithic
- E. Upper Palaeolithic

Choose the correct answer from the options given below:

1. A, B, C, D, E
2. B, D, C, E, A
3. A, C, E, D, B
4. A, E, B, C, D

**Options :**

485584136889. 1  
485584136890. 2  
485584136891. 3  
485584136892. 4

**Question Number : 68 Question Id : 48558434223 Question Type : MCQ Option Shuffling : No Is Question Mandatory : No Calculator : None Response Time : N.A Think Time : N.A Minimum Instruction Time : 0**

**Correct Marks : 5 Wrong Marks : 1**

**Question Key Details :**

Key	Value
Comprehension	MCQ

താഴെ തന്നിരിക്കുന്നയിൽ നിന്നും സമയക്രമമനുസരിച്ച് തരംതിരിക്കുക

- A. ലോവർ പാലിയോലിത്തിക്
- B. നിയോലിത്തിക്
- C. മദ്ധ്യ പാലിയോലിത്തിക്
- D. മെസോലിത്തിക്
- E. അപ്പർ പാലിയോലിത്തിക്

ശരിയായ ഉത്തരം താഴെ തന്നിരിക്കുന്ന ഓപ്ഷനിൽ നിന്നും തിരഞ്ഞെടുക്കുക

- 1. A, B, C, D, E
- 2. B, D, C, E, A
- 3. A, C, E, D, B
- 4. A, E, B, C, D

**Options :**

- 485584136889. 1
- 485584136890. 2
- 485584136891. 3
- 485584136892. 4

**Question Number : 69 Question Id : 48558434224 Question Type : MCQ Option Shuffling : No Is Question Mandatory : No Calculator : None Response Time : N.A Think Time : N.A Minimum Instruction Time : 0 Correct Marks : 5 Wrong Marks : 1**

**Question Key Details :**

Key	Value
Comprehension	MCQ

Which of the following statements are correct for S.C. Roy?

- A. He was a lawyer by profession
- B. He had a formal degree in anthropology
- C. He founded the journal, Eastern Anthropologist
- D. He was the first person to describe 'dhumkuria'
- E. He founded the journal, Man in India.

Choose the correct answer from the options given below:

- 1. A, C and E only
- 2. B, D and E only
- 3. A, D and E only
- 4. B, C and E only

**Options :**

- 485584136893. 1
- 485584136894. 2
- 485584136895. 3
- 485584136896. 4

Question Number : 69 Question Id : 48558434224 Question Type : MCQ Option Shuffling : No Is Question Mandatory : No Calculator : None Response Time : N.A Think Time : N.A Minimum Instruction Time : 0  
 Correct Marks : 5 Wrong Marks : 1  
 Question Key Details :

Key	Value
Comprehension	MCQ

s.c. റോയ് യെ സമ്പന്നിച്ച ശരിയായ പ്രസ്താവനകൾ ഏതൊക്കെ?

- A. തൊഴിൽ പരമായി അദ്ദേഹം ഒരു വക്കീലാണ്
- B. ആന്ത്രോപോളജിയിൽ അദ്ദേഹത്തിന് നിയമാനുസൃതമായ ഡിഗ്രി ഉണ്ടായിരുന്നു.
- C. അദ്ദേഹം കിഴക്കൻ ആന്ത്രോപോളജിസ്റ്റ് എന്ന ജേർണൽ സ്ഥാപിച്ചു
- D. ധുംകുറിയ ആദ്യമായി വിശകലനം ചെയ്ത അദ്ദേഹമാണ്
- E. മാൻ ഇൻ ഇന്ത്യ എന്ന ജേർണൽ സ്ഥാപിച്ചത് അദ്ദേഹമാണ്

ശരിയായ ഉത്തരമെഴുതുക:

- 1. A, C, E മാത്രം
- 2. B, D, E മാത്രം
- 3. A, D, E മാത്രം
- 4. B, C, E മാത്രം

Options :

- 485584136893. 1
- 485584136894. 2
- 485584136895. 3
- 485584136896. 4

Question Number : 70 Question Id : 48558434225 Question Type : MCQ Option Shuffling : No Is Question Mandatory : No Calculator : None Response Time : N.A Think Time : N.A Minimum Instruction Time : 0  
 Correct Marks : 5 Wrong Marks : 1  
 Question Key Details :

Key	Value
Comprehension	MCQ

Arrange the following cultures in chronological order.

- A. Abbevillian
- B. Mousterian
- C. Chalcolithic
- D. Azilian
- E. Chatelperronian

Choose the correct answer from the options given below:

- 1. A, B, E, D, C
- 2. A, B, C, D, E
- 3. B, C, D, A, E
- 4. D, E, B, A, C

**Options :**

- 485584136897. 1
- 485584136898. 2
- 485584136899. 3
- 485584136900. 4

**Question Number : 70 Question Id : 48558434225 Question Type : MCQ Option Shuffling : No Is Question Mandatory : No Calculator : None Response Time : N.A Think Time : N.A Minimum Instruction Time : 0**

**Correct Marks : 5 Wrong Marks : 1**

**Question Key Details :**

Key	Value
Comprehension	MCQ

തന്നിരിക്കുന്ന സംസ്കാരങ്ങൾ സമയക്രമനുസരിച്ച് ക്രമീകരിക്കുക

- A. അബ്ബീവില്ലിയൻ
- B. മൗസ്തീരിയൻ
- C. ചാൾക്കോലിത്തിക്
- D. അസീലിയൻ
- E. ചാത്തേൽപെറോണിയൻ

ശരിയായ ഉത്തരം താഴെ തന്നിരിക്കുന്ന ഓപ്ഷനിൽ നിന്നും തിരഞ്ഞെടുക്കുക

- 1. A, B, E, D, C
- 2. A, B, C, D, E
- 3. B, C, D, A, E
- 4. D, E, B, A, C

**Options :**

- 485584136897. 1
- 485584136898. 2
- 485584136899. 3
- 485584136900. 4

Question Number : 71 Question Id : 48558434226 Question Type : MCQ Option Shuffling : No Is Question Mandatory : No Calculator : None Response Time : N.A Think Time : N.A Minimum Instruction Time : 0  
 Correct Marks : 5 Wrong Marks : 1  
 Question Key Details :

Key	Value
Comprehension	MCQ

\_\_\_\_\_ describes the diverse economic arrangements developed by human being in different times and places.

1. Physical Anthropology
2. Archaeological Anthropology
3. Economic Anthropology
4. Linguistic Anthropology

Options :

- 485584136901. 1
- 485584136902. 2
- 485584136903. 3
- 485584136904. 4

Question Number : 71 Question Id : 48558434226 Question Type : MCQ Option Shuffling : No Is Question Mandatory : No Calculator : None Response Time : N.A Think Time : N.A Minimum Instruction Time : 0  
 Correct Marks : 5 Wrong Marks : 1  
 Question Key Details :

Key	Value
Comprehension	MCQ

മനുഷ്യർ പല സ്ഥലങ്ങളിലും, സമയങ്ങളിലും വികസിപ്പിച്ചെടുത്ത വൈവിധ്യങ്ങളായ സാമ്പത്തിക ഒരുക്കങ്ങളെ \_\_\_\_\_ എന്ന് പറയുന്നു.

1. ഫിസിക്കൽ ആന്ത്രോപോളജി
2. ആർക്കിയോളജിക്കൽ ആന്ത്രോപോളജി
3. ഇക്കനോമിക് ആന്ത്രോപോളജി
4. ലിംഗ്വിസ്റ്റിക് ആന്ത്രോപോളജി

Options :

- 485584136901. 1
- 485584136902. 2
- 485584136903. 3
- 485584136904. 4

Question Number : 72 Question Id : 48558434227 Question Type : MCQ Option Shuffling : No Is Question Mandatory : No Calculator : None Response Time : N.A Think Time : N.A Minimum Instruction Time : 0  
 Correct Marks : 5 Wrong Marks : 1  
 Question Key Details :



Key	Value
Comprehension	MCQ

Arrange the following agricultural activities in order of their occurrence in the paddy cultivation.

- A. Threshing
- B. Sowing
- C. Harvesting
- D. Winnowing
- E. Protecting Plants

Choose the correct answer from the options given below:

- 1. A, B, C, D, E
- 2. E, D, B, C, A
- 3. B, E, C, A, D
- 4. C, D, E, B, A

**Options :**

- 485584136905. 1
- 485584136906. 2
- 485584136907. 3
- 485584136908. 4

**Question Number : 72 Question Id : 48558434227 Question Type : MCQ Option Shuffling : No Is Question Mandatory : No Calculator : None Response Time : N.A Think Time : N.A Minimum Instruction Time : 0**

**Correct Marks : 5 Wrong Marks : 1**

**Question Key Details :**

Key	Value
Comprehension	MCQ

ഉൽഭവക്രമമനുസരിച്ച് നെൽകൃഷിയിലെ സംഭവങ്ങൾ ക്രമീകരിക്കുക

- A. ത്രെഷിങ്ങ്
- B. സോവിങ്ങ്
- C. ഹാർവെസ്റ്റിങ്ങ്
- D. വിന്നോവിങ്ങ്
- E. സസ്യങ്ങളെ സംരക്ഷിക്കുന്നു

ശരിയായ ഉത്തരം താഴെ തന്നിരിക്കുന്ന ഓപ്ഷനിൽ നിന്നും തിരഞ്ഞെടുക്കുക

- 1. A, B, C, D, E
- 2. E, D, B, C, A
- 3. B, E, C, A, D
- 4. C, D, E, B, A

**Options :**

- 485584136905. 1
- 485584136906. 2

485584136907. 3

485584136908. 4

**Question Number : 73 Question Id : 48558434228 Question Type : MCQ Option Shuffling : No Is Question Mandatory : No Calculator : None Response Time : N.A Think Time : N.A Minimum Instruction Time : 0**

**Correct Marks : 5 Wrong Marks : 1**

**Question Key Details :**

Key	Value
Comprehension	MCQ

Match List I with List II

LIST I		LIST II	
A.	Cultivation of fruits and vegetables	I.	Community hunting
B.	Cultivation using plough and yoke	II.	Terrace cultivation
C.	Hunting by a group of persons	III.	Plough cultivation
D.	Cultivation on hill slopes	IV.	Horticulture

Choose the correct answer from the options given below:

1. A-I, B-II, C-III, D-IV

2. A-I, B-IV, C-II, D-III

3. A-IV, B-III, C-II, D-I

4. A-IV, B-III, C-I, D-II

**Options :**

485584136909. 1

485584136910. 2

485584136911. 3

485584136912. 4

**Question Number : 73 Question Id : 48558434228 Question Type : MCQ Option Shuffling : No Is Question Mandatory : No Calculator : None Response Time : N.A Think Time : N.A Minimum Instruction Time : 0**

**Correct Marks : 5 Wrong Marks : 1**

**Question Key Details :**

Key	Value
Comprehension	MCQ

പട്ടിക I ഉം പട്ടിക II ഉം ചേർക്കുക

പട്ടിക I		പട്ടിക II	
A.	ഫലങ്ങളും, പച്ചക്കറികളും കൃഷിചെയ്യുക	I.	കമ്മ്യൂണിറ്റി ഹണ്ടിങ്ങ്
B.	ഉഴുതലും നുകവും ഉപയോഗിച്ചുള്ള കൃഷി	II.	മട്ടുപ്പാവ് കൃഷി
C.	ഒരു സംഘം ആൾക്കാർ ചേർന്നുള്ള വേട്ടയാടൽ	III.	ഉഴുതൽ കൃഷി
D.	കുന്നിൻചരുവിലെ കൃഷി	IV.	ഹോർട്ടിക്കൾച്ചർ

ശരിയായ ഉത്തരം താഴെ തന്നിരിക്കുന്നയിൽ നിന്നും തിരഞ്ഞെടുക്കുക

1. A-I, B-II, C-III, D-IV
2. A-I, B-IV, C-II, D-III
3. A-IV, B-III, C-II, D-I
4. A-IV, B-III, C-I, D-II

**Options :**

- 485584136909. 1
- 485584136910. 2
- 485584136911. 3
- 485584136912. 4

**Question Number : 74 Question Id : 48558434229 Question Type : MCQ Option Shuffling : No Is Question Mandatory : No Calculator : None Response Time : N.A Think Time : N.A Minimum Instruction Time : 0**

**Correct Marks : 5 Wrong Marks : 1**

**Question Key Details :**

Key	Value
Comprehension	MCQ

Food Gathering economy is not based on:

1. Gathering of fruits and roots
2. Horticulture
3. Hunting
4. Fishing

**Options :**

- 485584136913. 1
- 485584136914. 2
- 485584136915. 3
- 485584136916. 4

**Question Number : 74 Question Id : 48558434229 Question Type : MCQ Option Shuffling : No Is Question Mandatory : No Calculator : None Response Time : N.A Think Time : N.A Minimum Instruction Time : 0**

**Correct Marks : 5 Wrong Marks : 1**

**Question Key Details :**

Key	Value
Comprehension	MCQ

ആഹാരം ശേഖരിക്കുന്ന സാമ്പത്തികതയിൽ ഉൾപ്പെടാത്തതേത്

1. പഴങ്ങളും വേരുകളും ശേഖരിക്കുക
2. ഹോർട്ടിക്കൾച്ചർ
3. വേട്ടയാടൽ
4. മത്സ്യബന്ധനം

**Options :**

485584136913. 1  
485584136914. 2  
485584136915. 3  
485584136916. 4

**Question Number : 75 Question Id : 48558434230 Question Type : MCQ Option Shuffling : No Is Question Mandatory : No Calculator : None Response Time : N.A Think Time : N.A Minimum Instruction Time : 0**

**Correct Marks : 5 Wrong Marks : 1**

**Question Key Details :**

Key	Value
Comprehension	MCQ

In Arunachal Pradesh, Shifting Cultivation is called as.

1. Shyrti
2. Tekeonglu
3. Bogma
4. Adimik

**Options :**

485584136917. 1  
485584136918. 2  
485584136919. 3  
485584136920. 4

**Question Number : 75 Question Id : 48558434230 Question Type : MCQ Option Shuffling : No Is Question Mandatory : No Calculator : None Response Time : N.A Think Time : N.A Minimum Instruction Time : 0**

**Correct Marks : 5 Wrong Marks : 1**

**Question Key Details :**

Key	Value
Comprehension	MCQ

അരുണാചൽ പ്രദേശിലെ ഷിഫ്റ്റിങ്ങ് കൃഷി രീതിയെ വിളിക്കുന്ന പേര്

1. ഷൈർത്തി
2. ടെക്കിയോൺഗ്ലൂ
3. ബോഗമാ
4. അടിമിക്

**Options :**

485584136917. 1  
485584136918. 2  
485584136919. 3  
485584136920. 4

**Question Number : 76 Question Id : 48558434231 Question Type : MCQ Option Shuffling : No Is Question Mandatory : No Calculator : None Response Time : N.A Think Time : N.A Minimum Instruction Time : 0**

**Correct Marks : 5 Wrong Marks : 1**

**Question Key Details :**

Key	Value
Comprehension	MCQ

Mean annual temperature (in°C) is negative in which of the following biomes.

1. Deserts
2. Tropical forests
3. Arctic and Alpine tundra
4. Grasslands

**Options :**

485584136921. 1  
485584136922. 2  
485584136923. 3  
485584136924. 4

**Question Number : 76 Question Id : 48558434231 Question Type : MCQ Option Shuffling : No Is Question Mandatory : No Calculator : None Response Time : N.A Think Time : N.A Minimum Instruction Time : 0**

**Correct Marks : 5 Wrong Marks : 1**

**Question Key Details :**

Key	Value
Comprehension	MCQ

തന്നിരിക്കുന്ന ബയോമിൻ മീൻ ആനുവൽ ഉഷ്ണാവ് നെഗറ്റീവ് (°C) ആകുന്നത് എവിടാണ്.

1. മരുകുലികൾ
2. ഉഷ്ണമേഖലാ വനങ്ങൾ
3. ആർട്ടിക് & ആൽപൈൻ തുണ്ടൻ
4. പുൽമേടുകൾ

**Options :**

- 485584136921. 1
- 485584136922. 2
- 485584136923. 3
- 485584136924. 4

**Question Number : 77 Question Id : 48558434232 Question Type : MCQ Option Shuffling : No Is Question Mandatory : No Calculator : None Response Time : N.A Think Time : N.A Minimum Instruction Time : 0**

**Correct Marks : 5 Wrong Marks : 1**

**Question Key Details :**

Key	Value
Comprehension	MCQ

The micro-organisms like bacteria and fungi are called:

1. Autotrophs
2. Omnivore
3. Herbivores
4. Decomposers

**Options :**

- 485584136925. 1
- 485584136926. 2
- 485584136927. 3
- 485584136928. 4

**Question Number : 77 Question Id : 48558434232 Question Type : MCQ Option Shuffling : No Is Question Mandatory : No Calculator : None Response Time : N.A Think Time : N.A Minimum Instruction Time : 0**

**Correct Marks : 5 Wrong Marks : 1**

**Question Key Details :**

Key	Value
Comprehension	MCQ

സൂക്ഷ്മ ജീവികളായ ബാക്ടീരിയയും ഫങ്കെയും അറിയപ്പെടുന്നത്-

1. ഓട്ടോട്രോഫ്
2. ഒമ്നീവോർ
3. ഹെർബിവോർസ്
4. ഡീക്കമ്പോസേഴ്സ്

**Options :**

485584136925. 1  
485584136926. 2  
485584136927. 3  
485584136928. 4

**Question Number : 78 Question Id : 48558434233 Question Type : MCQ Option Shuffling : No Is Question Mandatory : No Calculator : None Response Time : N.A Think Time : N.A Minimum Instruction Time : 0**

**Correct Marks : 5 Wrong Marks : 1**

**Question Key Details :**

Key	Value
Comprehension	MCQ

Match List I with List II

LIST I		LIST II	
A.	Cow	I.	Omnivore
B.	Humans	II.	Carnivore
C.	Lion	III.	Detritivore
D.	Earthworm	IV.	Herbivore

Choose the correct answer from the options given below:

1. A-II, B-I, C-III, D-IV
2. A-IV, B-I, C-II, D-III
3. A-I, B-III, C-II, D-IV
4. A-I, B-II, C-III, D-IV

**Options :**

485584136929. 1  
485584136930. 2  
485584136931. 3  
485584136932. 4

**Question Number : 78 Question Id : 48558434233 Question Type : MCQ Option Shuffling : No Is Question Mandatory : No Calculator : None Response Time : N.A Think Time : N.A Minimum Instruction Time : 0**

**Correct Marks : 5 Wrong Marks : 1**

**Question Key Details :**

Key	Value
Comprehension	MCQ

പട്ടിക I ഉം പട്ടിക II ഉം ചേർക്കുക

പട്ടിക I		പട്ടിക II	
A.	പശു	I.	ഓമ്മിവോർ
B.	മനുഷ്യൻ	II.	കാർണിവോർ
C.	സിംഹം	III.	ഡെട്രൈറ്റിവോർ
D.	മണ്ണിര	IV.	ഹെർബിവോർ

ശരിയായ ഉത്തരം താഴെ തന്നിരിക്കുന്ന ഓപ്ഷനിൽ നിന്നും തിരഞ്ഞെടുക്കുക

1. A-II, B-I, C-III, D-IV
2. A-IV, B-I, C-II, D-III
3. A-I, B-III, C-II, D-IV
4. A-I, B-II, C-III, D-IV

**Options :**

485584136929. 1  
485584136930. 2  
485584136931. 3  
485584136932. 4

**Question Number : 79 Question Id : 48558434234 Question Type : MCQ Option Shuffling : No Is Question Mandatory : No Calculator : None Response Time : N.A Think Time : N.A Minimum Instruction Time : 0**

**Correct Marks : 5 Wrong Marks : 1**

**Question Key Details :**

Key	Value
Comprehension	MCQ

Itai - Itai disease among the people of Japan was primarily caused due to consumption of.

- A. Cadmium contaminated rice
- B. Cadmium contaminated water
- C. Cadmium Contaminated Fish
- D. Contaminated Milk

1. A and B only
2. B and C only
3. C and D only
4. A and D only

**Options :**

485584136933. 1  
485584136934. 2  
485584136935. 3  
485584136936. 4

**Question Number : 79 Question Id : 48558434234 Question Type : MCQ Option Shuffling : No Is Question Mandatory : No Calculator : None Response Time : N.A Think Time : N.A Minimum Instruction Time : 0**



Correct Marks : 5 Wrong Marks : 1

Question Key Details :

Key	Value
Comprehension	MCQ

ഇറ്റായ് - ഇറ്റായ് എന്ന ജപ്പാനിൽ കണ്ടുവരുന്ന രോഗത്തിന് പ്രധാനമായും എന്തിന്റെ ഉപയോഗം കൊണ്ടാണ് ഉണ്ടായത്.

- A. കാഡ്മിയം മലിനമാക്കപ്പെട്ട നെല്ല്
- B. കാഡ്മിയം മലിനമാക്കപ്പെട്ട ജലം
- C. കാഡ്മിയം മലിനമാക്കപ്പെട്ട മത്സ്യം
- D. മലിനമാക്കപ്പെട്ട പാൽ

- 1. A, B മാത്രം
- 2. B, C മാത്രം
- 3. C, D മാത്രം
- 4. A, D മാത്രം

Options :

- 485584136933. 1
- 485584136934. 2
- 485584136935. 3
- 485584136936. 4

Question Number : 80 Question Id : 48558434235 Question Type : MCQ Option Shuffling : No Is Question Mandatory : No Calculator : None Response Time : N.A Think Time : N.A Minimum Instruction Time : 0

Correct Marks : 5 Wrong Marks : 1

Question Key Details :

Key	Value
Comprehension	MCQ

\_\_\_\_\_ is characterised by less prominent cheek bones and absence of fascial prognathism.

- 1. Causasoid
- 2. Negroid
- 3. Mongoloid
- 4. Australoid

Options :

- 485584136937. 1
- 485584136938. 2
- 485584136939. 3
- 485584136940. 4

Question Number : 80 Question Id : 48558434235 Question Type : MCQ Option Shuffling : No Is Question Mandatory : No Calculator : None Response Time : N.A Think Time : N.A Minimum Instruction Time : 0

Correct Marks : 5 Wrong Marks : 1

**Question Key Details :**

Key	Value
Comprehension	MCQ

\_\_\_\_\_ വിഭാഗം ചെറിയ കുടുംബ അംഗങ്ങൾ കൊണ്ടും, ഫോഷ്യൽ പ്രോഗ്രാത്തിനും കൊണ്ടും പ്രശസ്തമാണ്.

1. ക്യാസോയ്
2. നീഗ്രോയ്
3. മെക്സോയ്
4. ഓസ്ട്രലോയ്

**Options :**

485584136937. 1  
 485584136938. 2  
 485584136939. 3  
 485584136940. 4

**Question Number : 81 Question Id : 48558434236 Question Type : MCQ Option Shuffling : No Is Question Mandatory : No Calculator : None Response Time : N.A Think Time : N.A Minimum Instruction Time : 0**

**Correct Marks : 5 Wrong Marks : 1**

**Question Key Details :**

Key	Value
Comprehension	MCQ

A family which one sets up after one's marriage is called as.

1. Family of orientation
2. Family of origin
3. Family of procreation
4. Family of happiness

**Options :**

485584136941. 1  
 485584136942. 2  
 485584136943. 3  
 485584136944. 4

**Question Number : 81 Question Id : 48558434236 Question Type : MCQ Option Shuffling : No Is Question Mandatory : No Calculator : None Response Time : N.A Think Time : N.A Minimum Instruction Time : 0**

**Correct Marks : 5 Wrong Marks : 1**

**Question Key Details :**

Key	Value
Comprehension	MCQ

വിവാഹശേഷം ഒരാൾ ഒരു കുടുംബം ഉണ്ടാക്കുന്നതിനെ വിളിക്കുന്നത്

1. ഫാമിലി ഓഫ് ഓറിയന്റേഷൻ
2. ഫാമിലി ഓഫ് ഒർജിൻ
3. ഫാമിലി ഓഫ് പ്രൊക്രിയേഷൻ
4. ഫാമിലി ഓഫ് ഹാപ്പിനസ്സ്

**Options :**

- 485584136941. 1
- 485584136942. 2
- 485584136943. 3
- 485584136944. 4

**Question Number : 82 Question Id : 48558434237 Question Type : MCQ Option Shuffling : No Is Question Mandatory : No Calculator : None Response Time : N.A Think Time : N.A Minimum Instruction Time : 0**

**Correct Marks : 5 Wrong Marks : 1**

**Question Key Details :**

Key	Value
Comprehension	MCQ

\_\_\_\_\_ is one form of unilineal descent, where males trace ancestry through males and females through females.

1. Double unilineal descent
2. Ambilineal descent
3. Parallel descent
4. Double descent

**Options :**

- 485584136945. 1
- 485584136946. 2
- 485584136947. 3
- 485584136948. 4

**Question Number : 82 Question Id : 48558434237 Question Type : MCQ Option Shuffling : No Is Question Mandatory : No Calculator : None Response Time : N.A Think Time : N.A Minimum Instruction Time : 0**

**Correct Marks : 5 Wrong Marks : 1**

**Question Key Details :**

Key	Value
Comprehension	MCQ

\_\_\_\_\_ ഒരു വംശീയമല്ലാത്ത പിൻതുടർച്ചയാണ്, ഇവിടെ ആണുങ്ങൾ ആണുങ്ങളിലൂടെയും പെണ്ണുങ്ങൾ പെണ്ണുങ്ങളിലൂടെയും പാരമ്പര്യം കാക്കുന്നു.

1. ഡബിൾ യൂണിലീനിയൽ ഡിസന്റ്
2. ആമ്പിലീനിയൽ ഡിസന്റ്
3. പാരലൽ ഡിസന്റ്
4. ഡബിൾ ഡിസന്റ്

**Options :**

485584136945. 1  
485584136946. 2  
485584136947. 3  
485584136948. 4

**Question Number : 83 Question Id : 48558434238 Question Type : MCQ Option Shuffling : No Is Question Mandatory : No Calculator : None Response Time : N.A Think Time : N.A Minimum Instruction Time : 0**

**Correct Marks : 5 Wrong Marks : 1**

**Question Key Details :**

Key	Value
Comprehension	MCQ

The type of family found among Gonds and Baigas is called as:

1. Polyandrous family
2. Fraternal family
3. Non-Fraternal family
4. Polygynous family

**Options :**

485584136949. 1  
485584136950. 2  
485584136951. 3  
485584136952. 4

**Question Number : 83 Question Id : 48558434238 Question Type : MCQ Option Shuffling : No Is Question Mandatory : No Calculator : None Response Time : N.A Think Time : N.A Minimum Instruction Time : 0**

**Correct Marks : 5 Wrong Marks : 1**

**Question Key Details :**

Key	Value
Comprehension	MCQ

ഗോൺഡ്സ്, ബെഗാസിസിലും കാണപ്പെടുന്ന കുടുംബത്തെ വിളിക്കുന്നത്.

1. പോളീ അൺഡ്രസ് കുടുംബം
2. ഫ്രട്ടർണൽ കുടുംബം
3. നോൺ - ഫ്രട്ടർണൽ കുടുംബം
4. പോളീഗൈനസ് കുടുംബം

**Options :**

485584136949. 1  
485584136950. 2  
485584136951. 3  
485584136952. 4

**Question Number : 84 Question Id : 48558434239 Question Type : MCQ Option Shuffling : No Is Question Mandatory : No Calculator : None Response Time : N.A Think Time : N.A Minimum Instruction Time : 0**

**Correct Marks : 5 Wrong Marks : 1**

**Question Key Details :**

Key	Value
Comprehension	MCQ

Which of the following are not the features of family?

- A. It is an economic unit
- B. It is a secondary social group
- C. It is unlimited in size
- D. It is a socializing unit
- E. It is a social unit

Choose the correct answer from the options given below:

1. B and C only
2. C and D only
3. B and D only
4. D and E only

**Options :**

485584136953. 1  
485584136954. 2  
485584136955. 3  
485584136956. 4

**Question Number : 84 Question Id : 48558434239 Question Type : MCQ Option Shuffling : No Is Question Mandatory : No Calculator : None Response Time : N.A Think Time : N.A Minimum Instruction Time : 0**

**Correct Marks : 5 Wrong Marks : 1**

**Question Key Details :**

Key	Value
Comprehension	MCQ

കുടുംബത്തിന്റെ സവിശേഷതകൾ അല്ലാത്തതേത് ?

- A. അതൊരു സാമ്പത്തിക യൂണിറ്റാണ്.
- B. അതൊരു ദ്വിതീയ സാമൂഹ്യ ഗ്രൂപ്പാണ്.
- C. പരിധിയില്ലാത്ത വലുപ്പം ഇതിനുണ്ട്.
- D. അതൊരു സാമൂഹ്യവൽക്കരണ യൂണിറ്റാണ്.
- E. അതൊരു സാമൂഹ്യ യൂണിറ്റാണ്.

ശരിയായ ഉത്തരം താഴെ തന്നിരിക്കുന്ന ഓപ്ഷനിൽ നിന്നും തിരഞ്ഞെടുക്കുക

- 1. B, C മാത്രം
- 2. C, D മാത്രം
- 3. B, D മാത്രം
- 4. D, E മാത്രം

**Options :**

- 485584136953. 1
- 485584136954. 2
- 485584136955. 3
- 485584136956. 4

**Question Number : 85 Question Id : 48558434240 Question Type : MCQ Option Shuffling : No Is Question Mandatory : No Calculator : None Response Time : N.A Think Time : N.A Minimum Instruction Time : 0**

**Correct Marks : 5 Wrong Marks : 1**

**Question Key Details :**

Key	Value
Comprehension	MCQ

Match List I with List II

LIST I		LIST II	
A.	Matrilineal	I.	Agnatic
B.	Matrilocal	II.	Uxorilocal
C.	Patrilineal	III.	Virilocal
D.	Patrilocal	IV.	Uterine

Choose the correct answer from the options given below:

- 1. A-IV, B-III, C-II, D-I
- 2. A-I, B-II, C-III, D-IV
- 3. A-IV, B-II, C-I, D-III
- 4. A-I, B-IV, C-III, D-II

**Options :**

- 485584136957. 1
- 485584136958. 2
- 485584136959. 3
- 485584136960. 4

Question Number : 85 Question Id : 48558434240 Question Type : MCQ Option Shuffling : No Is Question Mandatory : No Calculator : None Response Time : N.A Think Time : N.A Minimum Instruction Time : 0

Correct Marks : 5 Wrong Marks : 1

Question Key Details :

Key	Value
Comprehension	MCQ

പട്ടിക I ഉം പട്ടിക II ഉം ചേർക്കുക

പട്ടിക I		പട്ടിക II	
A.	മാട്രിലീനിയൽ	I.	അഗ്നാറ്റിക്
B.	മാട്രിലോക്കൽ	II.	ഉക്സോനിലോക്കൽ
C.	പാട്രിലീനിയൽ	III.	വിറിലോക്കൽ
D.	പാട്രിലോക്കൽ	IV.	യൂട്ടിറൈൻ

ശരിയായ ഉത്തരം താഴെ തന്നിരിക്കുന്ന ഓപ്ഷനിൽ നിന്നും തിരഞ്ഞെടുക്കുക

1. A-IV, B-III, C-II, D-I
2. A-I, B-II, C-III, D-IV
3. A-IV, B-II, C-I, D-III
4. A-I, B-IV, C-III, D-II

Options :

485584136957. 1
485584136958. 2
485584136959. 3
485584136960. 4

Question Number : 86 Question Id : 48558434241 Question Type : MCQ Option Shuffling : No Is Question Mandatory : No Calculator : None Response Time : N.A Think Time : N.A Minimum Instruction Time : 0

Correct Marks : 5 Wrong Marks : 1

Question Key Details :

Key	Value
Comprehension	MCQ

Who is revered as the Father of Ecology in India?

1. Kailash Satyarthi
2. Prof. W.H Pearsall
3. K.K. Misra
4. Ramdeo Misra

Options :

485584136961. 1
485584136962. 2
485584136963. 3
485584136964. 4

Question Number : 86 Question Id : 48558434241 Question Type : MCQ Option Shuffling : No Is Question Mandatory : No Calculator : None Response Time : N.A Think Time : N.A Minimum Instruction Time : 0

Correct Marks : 5 Wrong Marks : 1

Question Key Details :

Key	Value
Comprehension	MCQ

ഭാരതത്തിന്റെ ഇക്കോളജിയുടെ പിതാമായി അംഗീകരിക്കുന്നതാരെ?

1. കൈലാഷ് സത്യാർത്ഥി
2. പ്രൊ. W.H. പിയർസാൾ
3. കെ.കെ. മിശ്ര
4. രാഘിധോ മിശ്ര

Options :

- 485584136961. 1
- 485584136962. 2
- 485584136963. 3
- 485584136964. 4

Question Number : 87 Question Id : 48558434242 Question Type : MCQ Option Shuffling : No Is Question Mandatory : No Calculator : None Response Time : N.A Think Time : N.A Minimum Instruction Time : 0

Correct Marks : 5 Wrong Marks : 1

Question Key Details :

Key	Value
Comprehension	MCQ

The percentage of oxygen in the atmosphere is \_\_\_\_\_.

1. 78.09%
2. 20.94%
3. 0.03%
4. 0.93%

Options :

- 485584136965. 1
- 485584136966. 2
- 485584136967. 3
- 485584136968. 4

Question Number : 87 Question Id : 48558434242 Question Type : MCQ Option Shuffling : No Is Question Mandatory : No Calculator : None Response Time : N.A Think Time : N.A Minimum Instruction Time : 0

Correct Marks : 5 Wrong Marks : 1

Question Key Details :

Key	Value
Comprehension	MCQ



അന്തരീക്ഷത്തിലെ ഓക്സിജന്റെ ശതമാനം \_\_\_\_\_ ആണ്.

1. 78.09%
2. 20.94%
3. 0.03%
4. 0.93%

**Options :**

485584136965. 1  
485584136966. 2  
485584136967. 3  
485584136968. 4

**Question Number : 88 Question Id : 48558434243 Question Type : MCQ Option Shuffling : No Is Question Mandatory : No Calculator : None Response Time : N.A Think Time : N.A Minimum Instruction Time : 0**

**Correct Marks : 5 Wrong Marks : 1**

**Question Key Details :**

Key	Value
Comprehension	MCQ

Which one of the following is an example of an aquatic ecosystem?

1. Forest ecosystem
2. Desert ecosystem
3. Pond ecosystem
4. Grassland ecosystem

**Options :**

485584136969. 1  
485584136970. 2  
485584136971. 3  
485584136972. 4

**Question Number : 88 Question Id : 48558434243 Question Type : MCQ Option Shuffling : No Is Question Mandatory : No Calculator : None Response Time : N.A Think Time : N.A Minimum Instruction Time : 0**

**Correct Marks : 5 Wrong Marks : 1**

**Question Key Details :**

Key	Value
Comprehension	MCQ

ജല ഇക്കോസിസ്റ്റത്തിന് ഉദാഹരണമേത്?

1. ഫോറസ്റ്റ് ഇക്കോസിസ്റ്റം
2. ഡെൽറ്റാ ഇക്കോസിസ്റ്റം
3. പോണ്ട് ഇക്കോസിസ്റ്റം
4. ഗ്രാസ്സ്ലാന്റ് ഇക്കോസിസ്റ്റം

**Options :**

485584136969. 1  
485584136970. 2  
485584136971. 3  
485584136972. 4

**Question Number : 89 Question Id : 48558434244 Question Type : MCQ Option Shuffling : No Is Question Mandatory : No Calculator : None Response Time : N.A Think Time : N.A Minimum Instruction Time : 0**

**Correct Marks : 5 Wrong Marks : 1**

**Question Key Details :**

Key	Value
Comprehension	MCQ

Arrange the following in an order.

- A. Secondary consumer
- B. Detritus
- C. Primary consumer
- D. Primary producer
- E. Tertiary consumer

Choose the correct answer from the options given below:

1. D, A, B, C, E
2. B, C, A, D, E
3. A, E, C, D, B
4. D, C, A, E, B

**Options :**

485584136973. 1  
485584136974. 2  
485584136975. 3  
485584136976. 4

**Question Number : 89 Question Id : 48558434244 Question Type : MCQ Option Shuffling : No Is Question Mandatory : No Calculator : None Response Time : N.A Think Time : N.A Minimum Instruction Time : 0**

**Correct Marks : 5 Wrong Marks : 1**

**Question Key Details :**

Key	Value
Comprehension	MCQ

താഴെ തന്നിരിക്കുന്നവയെ ശരിയായ ക്രമത്തിൽ ക്രമീകരിക്കുക.

- A. സെക്കണ്ടറി കൺസ്യൂമർ
- B. ഡെട്രിറ്റസ്
- C. പ്രൈമറി കൺസ്യൂമർ
- D. പ്രൈമറി പ്രൊഡ്യൂസർ
- E. ടെർഷ്യറി കൺസ്യൂമർ

ശരിയായ ഉത്തരങ്ങൾ താഴെ തന്നിരിക്കുന്ന ഓപ്ഷനിൽ നിന്നും തിരഞ്ഞെടുക്കുക

- 1. D, A, B, C, E
- 2. B, C, A, D, E
- 3. A, E, C, D, B
- 4. D, C, A, E, B

**Options :**

- 485584136973. 1
- 485584136974. 2
- 485584136975. 3
- 485584136976. 4

**Question Number : 90 Question Id : 48558434245 Question Type : MCQ Option Shuffling : No Is Question Mandatory : No Calculator : None Response Time : N.A Think Time : N.A Minimum Instruction Time : 0 Correct Marks : 5 Wrong Marks : 1**

**Question Key Details :**

Key	Value
Comprehension	MCQ

The smallest microscopic organism that are found on the surface of water bodies like pond, lake etc are known as:

- 1. Nektons
- 2. Phytoplankton
- 3. Floating plants
- 4. Terrestrial plants

**Options :**

- 485584136977. 1
- 485584136978. 2
- 485584136979. 3
- 485584136980. 4

**Question Number : 90 Question Id : 48558434245 Question Type : MCQ Option Shuffling : No Is Question Mandatory : No Calculator : None Response Time : N.A Think Time : N.A Minimum Instruction Time : 0 Correct Marks : 5 Wrong Marks : 1**

**Question Key Details :**

Key	Value
-----	-------

കണങ്ങൾ, കായലുകൾ തുടങ്ങിയ ജലാശയങ്ങളിൽ ഉപരിതലത്തിൽ കാണുന്ന സൂക്ഷ്മ ജീവജാലങ്ങളെ അറിയപ്പെടുന്നത്-

1. നെക്ടൺ
2. ഫൈറ്റോപ്ലാങ്ക്ടൺ
3. ഓഴുകുന്ന സസ്യങ്ങൾ
4. കര സസ്യങ്ങൾ

**Options :**

485584136977. 1

485584136978. 2

485584136979. 3

485584136980. 4

**Sub-Section Number :**

2

**Sub-Section Id :**

4855842531

**Question Shuffling Allowed :**

No

**Is Section Default? :**

null

**Question Number : 91 Question Id : 48558434246 Question Type : MCQ Option Shuffling : No Is Question Mandatory : No Calculator : None Response Time : N.A Think Time : N.A Minimum Instruction Time : 0**

**Correct Marks : 5 Wrong Marks : 1**

**Question Key Details :**

Key	Value
Comprehension	Comp1

The Mismi built their houses on raised platform. A traditional Mismi house is built with materials like bamboo and straw. The walls are constructed with bamboo and the roof is thatched. A typical Mismi house consists of a big hall like room which accommodates all the family members. The area near the entrance acts as a portico and is used to entertain guests. Below the platform the rooms are kept. It also sometimes houses the pigs which they rear. Adjacent to their house they construct cattlesheds and coops for rearing fowls. The fire place is called as meram and is considered as a sacred place.

The walls of the Mising's house is constructed using

1. Mud bricks
2. Bamboo
3. Plywood
4. Bricks with Cement

**Options :**

485584136981. 1

485584136982. 2

485584136983. 3

485584136984. 4

**Question Number : 91 Question Id : 48558434246 Question Type : MCQ Option Shuffling : No Is Question Mandatory : No Calculator : None Response Time : N.A Think Time : N.A Minimum Instruction Time : 0**  
**Correct Marks : 5 Wrong Marks : 1**  
**Question Key Details :**

Key	Value
Comprehension	Compl

മിസിങ്ങു അവരുടെ ഭവനം നിർമ്മിക്കുന്നത് ഉയർന്ന പ്ലാറ്റ്ഫോമിലാണ്. മുളയും, വൈക്കോലും കൊണ്ടാണ് ഒരു പർമ്പരാഗത മിസിങ്ങ് ഭവനം നിർമ്മിക്കുന്നത്, ഇതിന്റെ ഭിത്തി മുള കൊണ്ടും മേൽക്കൂര വൈക്കോൽ കൊണ്ട് മേഞ്ഞതുമാണ്. ഒരു മിസിങ്ങ് ഭവനത്തിന് ഒരു വലിയ ഹാളുപോലെ ഒരു മുറി, അവിടെ എല്ലാ കുടുംബാംഗങ്ങളെയും ഉൾക്കൊള്ളാനും സാധിക്കുന്നു. മുൻവശത്തെ പൂമുഖം പ്രോർട്ടിക്കോ വിരുന്നുകാരെ സ്വീകരിക്കാൻ വേണ്ടിയാണ്. മുറികൾ പ്ലാറ്റ്ഫോമിനടിയിൽ ആണ്. പന്നികളെ വളർത്താനും ഈ സ്ഥലം ഉപയോഗിക്കുന്നു. ഭവനങ്ങളോട് ചേർന്ന് ഷെഡുകളും കുപ്പുകളും കന്നുകാലി വളർത്താനും കോഴികളെ വളർത്താനുമായി ഉപയോഗിക്കുന്നു. മേരം എന്നത് തീ സ്ഥലമാണ്, മാത്രവുമല്ല അത് ഒരു പുണ്യസ്ഥലമായി കാണുന്നു.

മിസിങ്ങ് ഭവനത്തിന്റെ ഭിത്തിനിർമ്മാണത്തിന് ഉപയോഗിക്കുന്നത്.

1. ചെളി ഇഷ്ടിക
2. മുള
3. പ്ലൈവുഡ്
4. സിമന്റും ഇഷ്ടികയും

**Options :**

- 485584136981. 1
- 485584136982. 2
- 485584136983. 3
- 485584136984. 4

**Question Number : 92 Question Id : 48558434247 Question Type : MCQ Option Shuffling : No Is Question Mandatory : No Calculator : None Response Time : N.A Think Time : N.A Minimum Instruction Time : 0**  
**Correct Marks : 5 Wrong Marks : 1**  
**Question Key Details :**

Key	Value
Comprehension	Compl

The Mismi built their houses on raised platform. A traditional Mismi house is built with materials like bamboo and straw. The walls are constructed with bamboo and the roof is thatched. A typical Mismi house consists of a big hall like room which accommodates all the family members. The area near the entrance acts as a portico and is used to entertain guests. Below the platform the rooms are kept. It also sometimes houses the pigs which they rear. Adjacent to their house they construct cattlesheds and coops for rearing fowls. The fire place is called as meram and is considered as a sacred place.

A traditional Mising house is built with materials like.

1. Bamboo and tree leaves
2. Straw and tree leaves
3. Straw and Bamboo
4. Tree leaves and grass

**Options :**

- 485584136985. 1
- 485584136986. 2
- 485584136987. 3
- 485584136988. 4

**Question Number : 92 Question Id : 48558434247 Question Type : MCQ Option Shuffling : No Is Question Mandatory : No Calculator : None Response Time : N.A Think Time : N.A Minimum Instruction Time : 0**

**Correct Marks : 5 Wrong Marks : 1**

**Question Key Details :**

Key	Value
Comprehension	Comp1

മിസിങ്ങസ് അവരുടെ ഭവനം നിർമ്മിക്കുന്നത് ഉയർന്ന പ്ലാറ്റേപ്പാമിലാണ്. മുളയും, വൈക്കോലും കൊണ്ടാണ് ഒരു പരമ്പരാഗത മിസിങ്ങ് ഭവനം നിർമ്മിക്കുന്നത്. ഇതിന്റെ ഭിത്തി മുള കൊണ്ടും, മേൽക്കൂര വൈക്കോൽ കൊണ്ട് മേഞ്ഞതുമാണ്. ഒരു മിസിങ്ങ് ഭവനത്തിന് ഒരു വലിയ ഹാളുപോലെ ഒരു മുറി, അവിടെ എല്ലാ കുടുംബാംഗങ്ങളെയും ഉൾക്കൊള്ളാനും സാധിക്കുന്നു. മുൻവശത്തെ പൂമുഖം പ്രോർട്ടിക്കോ വിരുന്നുകാരെ സ്വീകരിക്കാൻ വേണ്ടിയാണ്. മുറികൾ പ്ലാറ്റേപ്പാമിനടിയിൽ ആണ്. പന്നികളെ വളർത്താനും ഈ സ്ഥലം ഉപയോഗിക്കുന്നു. ഭവനങ്ങളോട് ചേർന്ന് ഷെഡുകളും കൂപ്പുകളും കന്നുകാലി വളർത്താനും കോഴികളെ വളർത്താനുമായി ഉപയോഗിക്കുന്നു. മേരം എന്നത് തീ സ്ഥലമാണ്, മാത്രവുമല്ല അത് ഒരു പുണ്യസ്ഥലമായി കാണുന്നു.

ഒരു പരമ്പരാഗത മിസിങ്ങ് ഭവനം നിർമ്മിക്കാനുപയോഗിക്കുന്ന വസ്തുക്കൾ ഏതൊക്കെ

1. മുളയും, ഇലകളും
2. വൈക്കോലും, ഇലകളും
3. വൈക്കോലും മുളയും
4. ഇലകളും പുല്ലും

**Options :**

- 485584136985. 1
- 485584136986. 2
- 485584136987. 3
- 485584136988. 4

**Question Number : 93 Question Id : 48558434248 Question Type : MCQ Option Shuffling : No Is Question Mandatory : No Calculator : None Response Time : N.A Think Time : N.A Minimum Instruction Time : 0**

**Correct Marks : 5 Wrong Marks : 1**

**Question Key Details :**

Key	Value
Comprehension	Comp1

The Mismi built their houses on raised platform. A traditional Mismi house is built with materials like bamboo and straw. The walls are constructed with bamboo and the roof is thatched. A typical Mismi house consists of a big hall like room which accommodates all the family members. The area near the entrance acts as a portico and is used to entertain guests. Below the platform the rooms are kept. It also sometimes houses the pigs which they rear. Adjacent to their house they construct cattlesheds and coops for rearing fowls. The fire place is called as meram and is considered as a sacred place.

\_\_\_\_\_ is a place called as meram and is considered as a sacred place in Misings.

1. Big hall
2. Fire place
3. Temple outside village
4. Mosque

**Options :**

485584136989. 1  
 485584136990. 2  
 485584136991. 3  
 485584136992. 4

**Question Number : 93 Question Id : 48558434248 Question Type : MCQ Option Shuffling : No Is Question Mandatory : No Calculator : None Response Time : N.A Think Time : N.A Minimum Instruction Time : 0**

**Correct Marks : 5 Wrong Marks : 1**

**Question Key Details :**

Key	Value
Comprehension	Comp1

മിസിങ്ങു അവരുടെ ഭവനം നിർമ്മിക്കുന്നത് ഉയർന്ന പ്ലാറ്റ്‌ഫോമിലാണ്. മുളയും, വൈക്കോലും കൊണ്ടാണ് ഒരു പരമ്പരാഗത മിസിങ്ങ് ഭവനം നിർമ്മിക്കുന്നത്. ഇതിന്റെ ഭിത്തി മുള കൊണ്ടും, മേൽക്കൂര വൈക്കോൽ കൊണ്ട് മേഞ്ഞതുമാണ്. ഒരു മിസിങ്ങ് ഭവനത്തിന് ഒരു വലിയ ഹാളുപോലെ ഒരു മുറി, അവിടെ എല്ലാ കുടുംബാംഗങ്ങളെയും ഉൾക്കൊള്ളാനും സാധിക്കുന്നു. മുൻവശത്തെ പൂമുഖം പ്രോർട്ടിക്കോ വിരുന്നുകാരെ സ്വീകരിക്കാൻ വേണ്ടിയാണ്. മുറികൾ പ്ലാറ്റ്‌ഫോമിനടിയിൽ ആണ്. പന്നികളെ വളർത്താനും ഈ സ്ഥലം ഉപയോഗിക്കുന്നു. ഭവനങ്ങളോട് ചേർന്ന് ഷെഡുകളും കൂപ്പുകളും കന്നുകാലി വളർത്താനും കോഴികളെ വളർത്താനുമായി ഉപയോഗിക്കുന്നു. മേരം എന്നത് തീ സ്ഥലമാണ്, മാത്രവുമല്ല അത് ഒരു പുണ്യസ്ഥലമായി കാണുന്നു.

\_\_\_\_\_ എന്ന സ്ഥലമാണ് മേരം, അത് മിസിങ്ങ് ഒരു പുണ്യസ്ഥലമായി കരുതുകയും ചെയ്യുന്നു

1. വലിയ ഹാൾ
2. തീ സ്ഥലം
3. ഗ്രാമത്തിന്റെ പുറത്തെ അമ്പലം
4. മോസ്ക്

**Options :**

- 485584136989. 1
- 485584136990. 2
- 485584136991. 3
- 485584136992. 4

**Question Number : 94 Question Id : 48558434249 Question Type : MCQ Option Shuffling : No Is Question Mandatory : No Calculator : None Response Time : N.A Think Time : N.A Minimum Instruction Time : 0**

**Correct Marks : 5 Wrong Marks : 1**

**Question Key Details :**

Key	Value
Comprehension	Comp1

The Mismi built their houses on raised platform. A traditional Mismi house is built with materials like bamboo and straw. The walls are constructed with bamboo and the roof is thatched. A typical Mismi house consists of a big hall like room which accommodates all the family members. The area near the entrance acts as a portico and is used to entertain guests. Below the platform the rooms are kept. It also sometimes houses the pigs which they rear. Adjacent to their house they construct cattlesheds and coops for rearing fowls. The fire place is called as meram and is considered as a sacred place.

A big hall in a typical Misings house accomodates.

1. All the relatives of family
2. All the village members
3. All the Saints and Seers of family
4. All the family members

**Options :**

- 485584136993. 1
- 485584136994. 2
- 485584136995. 3
- 485584136996. 4

**Question Number : 94 Question Id : 48558434249 Question Type : MCQ Option Shuffling : No Is Question Mandatory : No Calculator : None Response Time : N.A Think Time : N.A Minimum Instruction Time : 0**

**Correct Marks : 5 Wrong Marks : 1**

**Question Key Details :**



Key	Value
Comprehension	Comp1

മിസിങ്ങുകൾ അവരുടെ ഭവനം നിർമ്മിക്കുന്നത് ഉയർന്ന പ്ലാറ്റ്ഫോമിലാണ്. മുളയും, വൈക്കോലും കൊണ്ടാണ് ഒരു പരമ്പരാഗത മിസിങ്ങ് ഭവനം നിർമ്മിക്കുന്നത്. ഇതിന്റെ ഭിത്തി മുള കൊണ്ടും, മേൽക്കൂര വൈക്കോൽ കൊണ്ട് മേഞ്ഞതുമാണ്. ഒരു മിസിങ്ങ് ഭവനത്തിന് ഒരു വലിയ ഹാളുപോലെ ഒരു മുറി, അവിടെ എല്ലാ കുടുംബാംഗങ്ങളെയും ഉൾക്കൊള്ളാനും സാധിക്കുന്നു. മുൻവശത്തെ പൂമുഖം [പോർട്ടിക്കോ] വിരുന്നുകാരെ സ്വീകരിക്കാൻ വേണ്ടിയാണ്. മുറികൾ പ്ലാറ്റ്ഫോമിനടിയിൽ ആണ്. പന്നികളെ വളർത്താനും ഈ സ്ഥലം ഉപയോഗിക്കുന്നു. ഭവനങ്ങളോട് ചേർന്ന് ഷെഡുകളും കുപ്പുകളും കന്നുകാലി വളർത്താനും കോഴികളെ വളർത്താനുമായി ഉപയോഗിക്കുന്നു. മേരം എന്നത് തീ സ്ഥലമാണ്, മാത്രവുമല്ല അത് ഒരു പുണ്യസ്ഥലമായി കാണുന്നു.

ആരെയൊക്കെ ഉൾക്കൊള്ളാൻ മിസിങ്ങ് ഭവനത്തിലെ വലിയ ഹാളിന് സാധിക്കും ?

1. കുടുംബത്തിലെ എല്ലാ ബന്ധുക്കളെയും
2. ഗ്രാമത്തിലെ എല്ലാ അംഗങ്ങളെയും
3. കുടുംബത്തിലെ എല്ലാ സന്യാസികളെയും വിശുദ്ധരെയും
4. എല്ലാ കുടുംബാംഗങ്ങളെയും

**Options :**

- 485584136993. 1
- 485584136994. 2
- 485584136995. 3
- 485584136996. 4

**Question Number : 95 Question Id : 48558434250 Question Type : MCQ Option Shuffling : No Is Question Mandatory : No Calculator : None Response Time : N.A Think Time : N.A Minimum Instruction Time : 0**

**Correct Marks : 5 Wrong Marks : 1**

**Question Key Details :**

Key	Value
Comprehension	Comp1

The Mismi built their houses on raised platform. A traditional Mismi house is built with materials like bamboo and straw. The walls are constructed with bamboo and the roof is thatched. A typical Mismi house consists of a big hall like room which accommodates all the family members. The area near the entrance acts as a portico and is used to entertain guests. Below the platform the rooms are kept. It also sometimes houses the pigs which they rear. Adjacent to their house they construct cattlesheds and coops for reaching fowls. The fire place is called as meram and is considered as a sacred place.

The area near the entrance of 'Mising house act as portico and is used to entertain.

1. Family members
2. Guests
3. Friends and villagers
4. Karta of family

**Options :**

- 485584136997. 1
- 485584136998. 2
- 485584136999. 3
- 485584137000. 4

**Question Number : 95 Question Id : 48558434250 Question Type : MCQ Option Shuffling : No Is Question Mandatory : No Calculator : None Response Time : N.A Think Time : N.A Minimum Instruction Time : 0**

**Correct Marks : 5 Wrong Marks : 1**

**Question Key Details :**

Key	Value
Comprehension	Comp1

മിസിങ്ങസ് അമ്പലം ഭവനം നിർമ്മിക്കുന്നത് ഉയർന്ന പ്ലാറ്റോപ്പാമിലാണ്. മുളയും, വൈക്കോലും കൊണ്ടാണ് ഒരു പരമ്പരാഗത മിസിങ്ങ് ഭവനം നിർമ്മിക്കുന്നത്. ഇതിന്റെ ഭിത്തി മുള കൊണ്ടും, മേൽക്കൂര വൈക്കോൽ കൊണ്ട് മേഞ്ഞതുമാണ്. ഒരു മിസിങ്ങ് ഭവനത്തിന് ഒരു വലിയ ഹാളുപോലെ ഒരു മുറി, അവിടെ എല്ലാ കുടുംബങ്ങളെയും ഉൾക്കൊള്ളാനും സാധിക്കുന്നു. മുൻവശത്തെ പൂമുഖം പോർട്ടിക്കോ വിരുന്നുകാരെ സ്വീകരിക്കാൻ വേണ്ടിയാണ്. മുറികൾ പ്ലാറ്റോപ്പാമിനടിയിൽ ആണ്. പന്നികളെ വളർത്താനും ഈ സ്ഥലം ഉപയോഗിക്കുന്നു. ഭവനങ്ങളോട് ചേർന്ന് ഷെഡുകളും കൂപ്പുകളും കന്നുകാലി വളർത്താനും കോഴികളെ വളർത്താനുമായി ഉപയോഗിക്കുന്നു. മേരം എന്നത് തീ സ്ഥലമാണ്, മാത്രവുമല്ല അത് ഒരു പുണ്യസ്ഥലമായി കാണുന്നു.

മിസിങ്ങ് ഭവനത്തിന്റെ പൂമുഖമാകുന്ന പോർട്ടിക്കോ ആരെ സ്വീകരിക്കാനുപയോഗിക്കുന്നു.

1. കുടുംബാംഗങ്ങൾ
2. വിരുന്നുകാർ
3. സുഹൃത്തുക്കളും ഗ്രാമനിവാസികളും
4. കുടുംബത്തിലെ കർത്താ

**Options :**

- 485584136997. 1
- 485584136998. 2
- 485584136999. 3
- 485584137000. 4

**Sub-Section Number :** 3  
**Sub-Section Id :** 4855842532  
**Question Shuffling Allowed :** No  
**Is Section Default? :** null

**Question Number : 96 Question Id : 48558434251 Question Type : MCQ Option Shuffling : No Is Question Mandatory : No Calculator : None Response Time : N.A Think Time : N.A Minimum Instruction Time : 0**  
**Correct Marks : 5 Wrong Marks : 1**  
**Question Key Details :**

Key	Value
Comprehension	Comp2

The French established cocoa and coffee plantations in West Africa. The British set up large tea gardens in India and Sri Lanka, rubber plantation in Malaysia, and Sugarcane and banana plantations in West Indies. Spanish and Americans invested heavily in coconut and sugarcane plantations in the Philippines. The Dutch once had monopoly over Sugarcane plantations in Indonesia. Some Coffee Fazendar (large plantation) in Brazil are still managed by Europeans. Today, ownership of the majority of plantations have passed into the hands of the government or the nationals of the countries concerned.

The British set up large \_\_\_\_\_ in India and Sri Lanka.

1. Rubber plantation
2. Sugarcane plantation
3. Banana gardens
4. Tea gardens

**Options :**

- 485584137001. 1
- 485584137002. 2
- 485584137003. 3
- 485584137004. 4

**Question Number : 96 Question Id : 48558434251 Question Type : MCQ Option Shuffling : No Is Question Mandatory : No Calculator : None Response Time : N.A Think Time : N.A Minimum Instruction Time : 0**  
**Correct Marks : 5 Wrong Marks : 1**  
**Question Key Details :**

Key	Value
Comprehension	Comp2

പടിഞ്ഞാറേ ആഫ്രിക്കയിൽ കൊക്കോയും, കാപ്പി കൃഷിയും സ്ഥാപിച്ചത് ഫ്രഞ്ചുകാരാണ്. വെസ്റ്റ് ഇൻഡീസിൽ കരിമ്പും ഏതതയക്കാ കൃഷിയും, മലേഷ്യയിൽ റബ്ബർ കൃഷിയും, ശ്രീലങ്കയിലും ഇന്ത്യയിലും വലിയ തേയിലത്തോട്ടങ്ങൾ സ്ഥാപിച്ചതും ബ്രിട്ടീഷുകാരാണ്. ഫിലിപ്പൈൻസിലെ കരിമ്പും, തെങ്ങി കൃഷിക്കും ഒരുപാട് മുതൽമുടക്കിയത് സ്പെയിൻകാരും അമേരിക്കക്കാരുമാണ്. ഇന്തോനേഷ്യയിലെ കരിമ്പ് കൃഷിയിൽ ഒരു കാലത്ത് ഡച്ചുകാർക്ക് ഏകാധിപത്യം ഉണ്ടായിരുന്നു. ബ്രസീലിലെ വലിയ കാപ്പി കൃഷിയിടങ്ങൾ (കാപ്പി ഫാസെന്റാർ) ഇന്നും മേൽനോട്ടം വഹിക്കുന്നത് യൂറോപ്പിയൻസ ആണ്. ഇന്ന് വിവിധ കൃഷിയിടങ്ങളുടെ ഉടമസ്ഥാവകാശം സർക്കാറിന്റെ കയ്യിലോ, അല്ലെങ്കിൽ അതാത രാജ്യക്കാരുടെ കൈകളിലോ ആണ്.

ഇന്ത്യയിലും,ശ്രീലങ്കയിലും ബ്രിട്ടീഷുകാർ വലിയ \_\_\_\_\_ സ്ഥാപിച്ചു.

1. റബ്ബർ കുപ്പി
2. കരിമ്പ് കുപ്പി
3. ഏത്തയ്ക്കൊ തോട്ടം
4. തേയിലത്തോട്ടം

**Options :**

- 485584137001. 1
- 485584137002. 2
- 485584137003. 3
- 485584137004. 4

**Question Number : 97 Question Id : 48558434252 Question Type : MCQ Option Shuffling : No Is Question Mandatory : No Calculator : None Response Time : N.A Think Time : N.A Minimum Instruction Time : 0**

**Correct Marks : 5 Wrong Marks : 1**

**Question Key Details :**

Key	Value
Comprehension	Comp2

The French established cocoa and coffee plantations in West Africa. The British set up large tea gardens in India and Sri Lanka, rubber plantation in Malaysia, and Sugarcane and banana plantations in West Indies. Spanish and Americans invested heavily in coconut and sugarcane plantations in the Philippines. The Dutch once had monopoly over Sugarcane plantations in Indonesia. Some Coffee Fazendar (large plantation) in Brazil are still managed by Europeans. Today, ownership of the majority of plantations have passed into the hands of the government or the nationals of the countries concerned.

\_\_\_\_\_ once had monopoly over Sugarcane plantation in Indonesia.

1. French
2. Malaysia
3. Philippines
4. Dutch

**Options :**

- 485584137005. 1
- 485584137006. 2
- 485584137007. 3
- 485584137008. 4

**Question Number : 97 Question Id : 48558434252 Question Type : MCQ Option Shuffling : No Is Question Mandatory : No Calculator : None Response Time : N.A Think Time : N.A Minimum Instruction Time : 0**

**Correct Marks : 5 Wrong Marks : 1**

**Question Key Details :**

Key	Value
-----	-------

പടിഞ്ഞാറേ ആഫ്രിക്കയിൽ കൊക്കോയും, കാപ്പി കൃഷിയും സ്ഥാപിച്ചത് ഫ്രഞ്ചുകാരാണ്. വെസ്റ്റ് ഇൻഡീസിൽ കരിമ്പും ഏതായാലും കൃഷിയും, മലേഷ്യയിൽ റബ്ബർ കൃഷിയും, ശിലങ്കയിലും ഇന്ത്യയിലും വലിയ തേയിലത്തോട്ടങ്ങൾ സ്ഥാപിച്ചതും ബ്രിട്ടീഷുകാരാണ്. ഫിലിപ്പൈൻസിലെ കരിമ്പും, തെങ്ങി കൃഷിക്കും ഒരുപാട് മുതൽമുടക്കിയത് സ്പെയിൻകാരും അമേരിക്കക്കാരുമാണ്. ഇന്തോനേഷ്യയിലെ കരിമ്പ് കൃഷിയിൽ ഒരു കാലത്ത് ഡച്ചുകാർക്ക് ഏകാധിപത്യം ഉണ്ടായിരുന്നു. ബ്രസീലിലെ വലിയ കാപ്പി കൃഷിയിടങ്ങൾ (കാപ്പി ഫാസെന്താർ) ഇന്നും മേൽനോട്ടം വഹിക്കുന്നത് യൂറോപ്പിയൻസു ആണ്. ഇന്ന് വിവിധ കൃഷിയിടങ്ങളുടെ ഉടമസ്ഥാവകാശം സർക്കാറിന്റെ കയ്യിലോ, അല്ലെങ്കിൽ അതാത് രാജ്യക്കാരുടെ കൈകളിലോ ആണ്.

ഇന്തോനേഷ്യയിലെ കരിമ്പ് കൃഷിക്ക് ഒരിക്കൽ ഏകാധിപത്യം കാണിച്ചതാര്?

1. ഫ്രഞ്ച്
2. മലേഷ്യ
3. ഫിലിപ്പൈൻസ്
4. ഡച്ച്

**Options :**

485584137005. 1  
485584137006. 2  
485584137007. 3  
485584137008. 4

**Question Number : 98 Question Id : 48558434253 Question Type : MCQ Option Shuffling : No Is Question Mandatory : No Calculator : None Response Time : N.A Think Time : N.A Minimum Instruction Time : 0**

**Correct Marks : 5 Wrong Marks : 1**

**Question Key Details :**

Key	Value
Comprehension	Comp2

The French established cocoa and coffee plantations in West Africa. The British set up large tea gardens in India and Sri Lanka, rubber plantation in Malaysia, and Sugarcane and banana plantations in West Indies. Spanish and Americans invested heavily in coconut and sugarcane plantations in the Philippines. The Dutch once had monopoly over Sugarcane plantations in Indonesia. Some Coffee Fazendar (large plantation) in Brazil are still managed by Europeans. Today, ownership of the majority of plantations have passed into the hands of the government or the nationals of the countries concerned.

The French established Cocoa and Coffee plantations in.

1. East Africa
2. West Africa
3. East America
4. South America

**Options :**

485584137009. 1

485584137010. 2  
 485584137011. 3  
 485584137012. 4

**Question Number : 98 Question Id : 48558434253 Question Type : MCQ Option Shuffling : No Is Question Mandatory : No Calculator : None Response Time : N.A Think Time : N.A Minimum Instruction Time : 0**

**Correct Marks : 5 Wrong Marks : 1**

**Question Key Details :**

Key	Value
Comprehension	Comp2

പടിഞ്ഞാറേ ആഫ്രിക്കയിൽ കൊക്കോയും, കാപ്പി കൃഷിയും സ്ഥാപിച്ചത് ഫ്രഞ്ചുകാരാണ്. വെസ്റ്റ് ഇന്ത്യയിൽ കരിമ്പും ഏതായാലും കൃഷിയും, മലേഷ്യയിൽ റബ്ബർ കൃഷിയും, ശിലങ്കയിലും ഇന്ത്യയിലും വലിയ തേയിലത്തോട്ടങ്ങൾ സ്ഥാപിച്ചതും ബ്രിട്ടീഷുകാരാണ്. ഫിലിപ്പൈൻസിലെ കരിമ്പും, തെങ്ങി കൃഷിക്കും ഒരുപാട് മുതൽമുടക്കിയത് സ്പെയിനുകാരും അമേരിക്കക്കാരുമാണ്. ഇന്തോനേഷ്യയിലെ കരിമ്പ് കൃഷിയിൽ ഒരു കാലത്ത് ഡച്ചുകാർക്ക് ഏകാധിപത്യം ഉണ്ടായിരുന്നു. ബ്രസീലിലെ വലിയ കാപ്പി കൃഷിയിടങ്ങൾ (കാപ്പി ഫാസെന്താർ) ഇന്നും മേൽനോട്ടം വഹിക്കുന്നത് യൂറോപ്പിയൻസ ആണ്. ഇന്ന് വിവിധ കൃഷിയിടങ്ങളുടെ ഉടമസ്ഥാവകാശം സർക്കാറിന്റെ കയ്യിലോ, അല്ലെങ്കിൽ അതാത് രാജ്യക്കാരുടെ കൈകളിലോ ആണ്.

കാപ്പിയും, കൊക്കോയും കൃഷി നടപ്പിലാക്കിയത് ആര്.

1. കിഴക്കൻ ആഫ്രിക്ക
2. പടിഞ്ഞാറേ ആഫ്രിക്ക
3. കിഴക്കൻ അമേരിക്ക
4. തെക്കമേരിക്ക

**Options :**

485584137009. 1  
 485584137010. 2  
 485584137011. 3  
 485584137012. 4

**Question Number : 99 Question Id : 48558434254 Question Type : MCQ Option Shuffling : No Is Question Mandatory : No Calculator : None Response Time : N.A Think Time : N.A Minimum Instruction Time : 0**

**Correct Marks : 5 Wrong Marks : 1**

**Question Key Details :**

Key	Value
Comprehension	Comp2

The French established cocoa and coffee plantations in West Africa. The British set up large tea gardens in India and Sri Lanka, rubber plantation in Malaysia, and Sugarcane and banana plantations in West Indies. Spanish and Americans invested heavily in coconut and sugarcane plantations in the Philippines. The Dutch once had monopoly over Sugarcane plantations in Indonesia. Some Coffee Fazendar (large plantation) in Brazil are still managed by Europeans. Today, ownership of the majority of plantations have passed into the hands of the government or the nationals of the countries concerned.

The British set up large sugarcane and banana plantations in.

- 1. India and Sri Lanka
- 2. Indonesia
- 3. West Indies
- 4. Spain

**Options :**

- 485584137013. 1
- 485584137014. 2
- 485584137015. 3
- 485584137016. 4

**Question Number : 99 Question Id : 48558434254 Question Type : MCQ Option Shuffling : No Is Question Mandatory : No Calculator : None Response Time : N.A Think Time : N.A Minimum Instruction Time : 0**

**Correct Marks : 5 Wrong Marks : 1**

**Question Key Details :**

Key	Value
Comprehension	Comp2

പടിഞ്ഞാറേ ആഫ്രിക്കയിൽ കൊക്കോയും, കാപ്പി കൃഷിയും സ്ഥാപിച്ചത് ഫ്രഞ്ചുകാരാണ്. വെസ്റ്റ് ഇൻഡീസിൽ കരിമ്പും ഏത്തയ്ക്കാ കൃഷിയും, മലേഷ്യയിൽ റബ്ബർ കൃഷിയും, ശ്രീലങ്കയിലും ഇന്ത്യയിലും വലിയ തേയിലത്തോട്ടങ്ങൾ സ്ഥാപിച്ചതും ബ്രിട്ടീഷുകാരാണ്. ഫിലിപ്പൈൻസിലെ കരിമ്പും, തെങ്ങു കൃഷിക്കും ഒരുപാട് മുതൽമുടക്കിയത് സ്പെയിൻകാരും അമേരിക്കക്കാരുമാണ്. ഇന്തോനേഷ്യയിലെ കരിമ്പ് കൃഷിയിൽ ഒരു കാലത്ത് ഡച്ചുകാർക്ക് ഏകാധിപത്യം ഉണ്ടായിരുന്നു. ബ്രസീലിലെ വലിയ കാപ്പി കൃഷിയിടങ്ങൾ (കാപ്പി ഫാസെന്താർ) ഇന്നും മേൽനോട്ടം വഹിക്കുന്നത് യൂറോപ്യന്മാർ ആണ്. ഇന്ന് വിവിധ കൃഷിയിടങ്ങളുടെ ഉടമസ്ഥാവകാശം സർക്കാറിന്റെ കയ്യിലോ, അല്ലെങ്കിൽ അതാത് രാജ്യക്കാരുടെ കൈകളിലോ ആണ്.

ബ്രിട്ടീഷുകാർ വലിയ കരിമ്പിൻ തോട്ടവും, ഏത്തയ്ക്കാ തോട്ടവും സ്ഥാപിച്ചത് എവിടെ ?

- 1. ഇന്ത്യയും ശ്രീലങ്കയും
- 2. ഇന്തോനേഷ്യ
- 3. വെസ്റ്റ് ഇൻഡീസ്
- 4. സ്പെയിൻ

**Options :**

- 485584137013. 1
- 485584137014. 2
- 485584137015. 3
- 485584137016. 4

**Question Number : 100 Question Id : 48558434255 Question Type : MCQ Option Shuffling : No Is Question Mandatory : No Calculator : None Response Time : N.A Think Time : N.A Minimum Instruction Time : 0**

**Correct Marks : 5 Wrong Marks : 1**

**Question Key Details :**

Key	Value
Comprehension	Comp2

The French established cocoa and coffee plantations in West Africa. The British set up large tea gardens in India and Sri Lanka, rubber plantation in Malaysia, and Sugarcane and banana plantations in West Indies. Spanish and Americans invested heavily in coconut and sugarcane plantations in the Philippines. The Dutch once had monopoly over Sugarcane plantations in Indonesia. Some Coffee Fazendar (large plantation) in Brazil are still managed by Europeans. Today, ownership of the majority of plantations have passed into the hands of the government or the nationals of the countries concerned.

Spanish and Americans invested heavily in \_\_\_\_\_ the Philippines.

- A. Banana plantation
- B. Rubber plantation
- C. Coconut plantation
- D. Sugarcane plantation
- E. Tea garden

Choose the correct answer from the options given below:

- 1. A and B only
- 2. B and D only
- 3. C and D only
- 4. D and E only

**Options :**

- 485584137017. 1
- 485584137018. 2
- 485584137019. 3
- 485584137020. 4

**Question Number : 100 Question Id : 48558434255 Question Type : MCQ Option Shuffling : No Is Question Mandatory : No Calculator : None Response Time : N.A Think Time : N.A Minimum Instruction Time : 0**

**Correct Marks : 5 Wrong Marks : 1**

**Question Key Details :**

Key	Value
Comprehension	Comp2

പടിഞ്ഞാറേ ആഫ്രിക്കയിൽ കൊക്കോയും, കാപ്പി കൃഷിയും സ്ഥാപിച്ചത് ഫ്രഞ്ചുകാരാണ്. വെസ്റ്റ് ഇൻഡീസിൽ കരിമ്പും ഏത്തയക്കാ കൃഷിയും, മലേഷ്യയിൽ റബ്ബർ കൃഷിയും, ശിലങ്കയിലും ഇന്ത്യയിലും വലിയ തേയിലത്തോട്ടങ്ങൾ സ്ഥാപിച്ചതും ബ്രിട്ടീഷുകാരാണ്. ഫിലിപ്പൈൻസിലെ കരിമ്പും, തെങ്ങു കൃഷിക്കും ഒരുപാട് മുതൽമുടക്കിയത് സ്പെയിൻകാരും അമേരിക്കക്കാരുമാണ്. ഇന്തോനേഷ്യയിലെ കരിമ്പ് കൃഷിയിൽ ഒരു കാലത്ത് ഡച്ചുകാർക്ക് ഏകാധിപത്യം ഉണ്ടായിരുന്നു. ബ്രസീലിലെ വലിയ കാപ്പി കൃഷിയിടങ്ങൾ (കാപ്പി ഫാസെന്താർ) ഇന്നും മേൽനോട്ടം വഹിക്കുന്നത് യൂറോപ്പിയൻസു ആണ്. ഇന്ന് വിവിധ കൃഷിയിടങ്ങളുടെ ഉടമസ്ഥാവകാശം സർക്കാറിന്റെ കയ്യിലോ, അല്ലെങ്കിൽ അതാത് രാജ്യക്കാരുടെ കൈകളിലോ ആണ്.



\_\_\_\_\_ ന് വേണ്ടിയാണ് ഫിലിപ്പൈൻസിൻ സ്റ്റാനിഷ്ചാരും, അമേരിക്കക്കാരും ധാരാളമായി നിക്ഷേപിച്ചത്.

- A. ഏത്തയ്ക്കാ കുപ്പി
- B. റബ്ബർ കുപ്പി
- C. തെങ്ങ് കുപ്പി
- D. കരിമ്പ് കുപ്പി
- E. തേയിലത്തോട്ടം

ശരിയായ ഉത്തരം തിരഞ്ഞെടുക്കുക

- 1. A, B മാത്രം
- 2. B, D മാത്രം
- 3. C, D മാത്രം
- 4. D, E മാത്രം

**Options :**

- 485584137017. 1
- 485584137018. 2
- 485584137019. 3
- 485584137020. 4

### Engineering Graphics

Group Number :	8
Group Id :	485584775
Group Maximum Duration :	45
Group Minimum Duration :	45
Show Attended Group? :	No
Edit Attended Group? :	No
Break time :	0
Group Marks :	200
Is this Group for Examiner? :	No
Examiner permission :	Cant View
Show Progress Bar? :	No

### Engineering Graphics

Section Id :	485584893
Section Number :	1
Section type :	Online
Mandatory or Optional :	Mandatory
Number of Questions :	50
Number of Questions to be attempted :	40
Section Marks :	200
Enable Mark as Answered Mark for Review and Clear Response :	Yes
Maximum Instruction Time :	0
Sub-Section Number :	1

Sub-Section Id : 4855842533  
Question Shuffling Allowed : Yes  
Is Section Default? : null

Question Number : 101 Question Id : 48558434606 Question Type : MCQ Option Shuffling : No Is Question Mandatory : No Calculator : None Response Time : N.A Think Time : N.A Minimum Instruction Time : 0

Correct Marks : 5 Wrong Marks : 1

Question Key Details :

Key	Value
Comprehension	MCQ

The view that gives inside details of an object is \_\_\_\_\_.

1. top view
2. front view
3. detailed view
4. sectional view

Options :

- 485584138421. 1
- 485584138422. 2
- 485584138423. 3
- 485584138424. 4

Question Number : 101 Question Id : 48558434606 Question Type : MCQ Option Shuffling : No Is Question Mandatory : No Calculator : None Response Time : N.A Think Time : N.A Minimum Instruction Time : 0

Correct Marks : 5 Wrong Marks : 1

Question Key Details :

Key	Value
Comprehension	MCQ

ഒരു വസ്തുവിന്റെ ആന്തരിക വിശദാംശങ്ങൾ നൽകുന്ന കാഴ്ച \_\_\_\_\_.

1. മുകളിൽ നിന്നുള്ള കാഴ്ച
2. മുന്നിൽ നിന്നുള്ള കാഴ്ച
3. വിശദമായ കാഴ്ച
4. പരിച്ഛേദ കാഴ്ച

Options :

- 485584138421. 1
- 485584138422. 2
- 485584138423. 3
- 485584138424. 4

Question Number : 102 Question Id : 48558434607 Question Type : MCQ Option Shuffling : No Is Question Mandatory : No Calculator : None Response Time : N.A Think Time : N.A Minimum Instruction Time : 0

Correct Marks : 5 Wrong Marks : 1

Question Key Details :

Key	Value
Comprehension	MCQ

In Perspective projection, object appears to converge at a point, called \_\_\_\_\_.

1. enlarged point
2. vanishing point
3. dimensional point
4. horizontal plane

**Options :**

485584138425. 1  
 485584138426. 2  
 485584138427. 3  
 485584138428. 4

**Question Number : 102 Question Id : 48558434607 Question Type : MCQ Option Shuffling : No Is Question Mandatory : No Calculator : None Response Time : N.A Think Time : N.A Minimum Instruction Time : 0**

**Correct Marks : 5 Wrong Marks : 1**

**Question Key Details :**

Key	Value
Comprehension	MCQ

പരിപ്രക്ഷ്യ കാഴ്ചയിൽ വസ്തു കൂടിച്ചേരുന്നതായി കാണപ്പെടുന്ന ബിന്ദുവിനെ വിളിക്കുന്നത് \_\_\_\_\_.

1. എൻലാർജ്ജ് പോയിന്റ്
2. വാനിഷിംഗ് പോയിന്റ്
3. ഡൈമൻഷണൽ പോയിന്റ്
4. തിരശ്ചീന തലം

**Options :**

485584138425. 1  
 485584138426. 2  
 485584138427. 3  
 485584138428. 4

**Question Number : 103 Question Id : 48558434608 Question Type : MCQ Option Shuffling : No Is Question Mandatory : No Calculator : None Response Time : N.A Think Time : N.A Minimum Instruction Time : 0**

**Correct Marks : 5 Wrong Marks : 1**

**Question Key Details :**

Key	Value
Comprehension	MCQ

A solid having two bases and rectangular faces is \_\_\_\_\_.

1. Pyramid
2. Sphere
3. Prism
4. Cylinder

**Options :**

485584138429. 1  
485584138430. 2  
485584138431. 3  
485584138432. 4

**Question Number : 103 Question Id : 48558434608 Question Type : MCQ Option Shuffling : No Is Question Mandatory : No Calculator : None Response Time : N.A Think Time : N.A Minimum Instruction Time : 0**

**Correct Marks : 5 Wrong Marks : 1**

**Question Key Details :**

Key	Value
Comprehension	MCQ

രണ്ട് ബേസുകളും ദീർഘചതുരാകൃതിയിലുള്ള മുഖങ്ങളുമുള്ള ഘനരൂപം \_\_\_\_\_.

1. പിരമിഡ്
2. ഗോളം
3. പ്രിസം
4. സിലിണ്ടർ

**Options :**

485584138429. 1  
485584138430. 2  
485584138431. 3  
485584138432. 4

**Question Number : 104 Question Id : 48558434609 Question Type : MCQ Option Shuffling : No Is Question Mandatory : No Calculator : None Response Time : N.A Think Time : N.A Minimum Instruction Time : 0**

**Correct Marks : 5 Wrong Marks : 1**

**Question Key Details :**

Key	Value
Comprehension	MCQ

The isometric projection of an object is \_\_\_\_\_ view projection.

1. double
2. single
3. multiple
4. triple

**Options :**

- 485584138433. 1
- 485584138434. 2
- 485584138435. 3
- 485584138436. 4

**Question Number : 104 Question Id : 48558434609 Question Type : MCQ Option Shuffling : No Is Question Mandatory : No Calculator : None Response Time : N.A Think Time : N.A Minimum Instruction Time : 0**

**Correct Marks : 5 Wrong Marks : 1**

**Question Key Details :**

Key	Value
Comprehension	MCQ

ഒരു വസ്തുവിന്റെ ഐസോമെട്രിക് പ്രൊജക്ഷൻ \_\_\_\_\_ പ്രൊജക്ഷൻ കാഴ്ച ആകുന്നു.

1. ഇരട്ട
2. ഒറ്റ
3. ഒന്നിലധികം
4. ത്രിപ്പിൾ

**Options :**

- 485584138433. 1
- 485584138434. 2
- 485584138435. 3
- 485584138436. 4

**Question Number : 105 Question Id : 48558434610 Question Type : MCQ Option Shuffling : No Is Question Mandatory : No Calculator : None Response Time : N.A Think Time : N.A Minimum Instruction Time : 0**

**Correct Marks : 5 Wrong Marks : 1**

**Question Key Details :**

Key	Value
Comprehension	MCQ

The isometric scale is used to obtain the \_\_\_\_\_ of the edges of any object to draw its isometric projection.

- 1. foreshortened length
- 2. enlarged length
- 3. true length
- 4. double length

**Options :**

- 485584138437. 1
- 485584138438. 2
- 485584138439. 3
- 485584138440. 4

**Question Number : 105 Question Id : 48558434610 Question Type : MCQ Option Shuffling : No Is Question Mandatory : No Calculator : None Response Time : N.A Think Time : N.A Minimum Instruction Time : 0**

**Correct Marks : 5 Wrong Marks : 1**

**Question Key Details :**

Key	Value
Comprehension	MCQ

ഐസോമെട്രിക് സ്കെയിൽ ഏതൊരു വസ്തുവിന്റെയും \_\_\_\_\_ ഐസോമെട്രിക് പ്രൊജക്ഷൻ വരയ്ക്കുന്നതിന് അതിന്റെ അളവുകൾ ലഭിക്കാൻ ഉപയോഗിക്കുന്നു.

- 1. മുൻകൂട്ടി നിശ്ചയിച്ച നീളം
- 2. വലുതാക്കിയ നീളം
- 3. ശരിയായ നീളം
- 4. ഫുൾ സൈസിലുള്ള നീളം

**Options :**

- 485584138437. 1
- 485584138438. 2
- 485584138439. 3
- 485584138440. 4

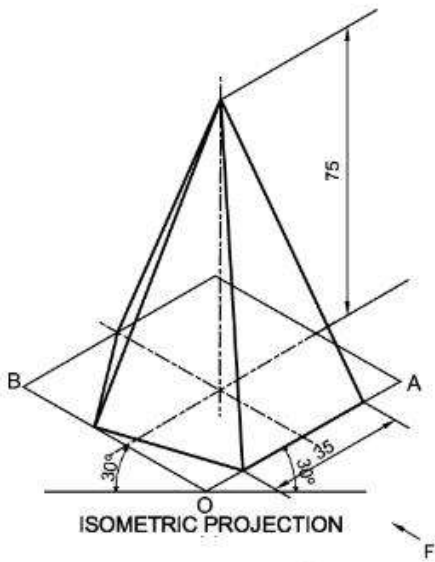
**Question Number : 106 Question Id : 48558434611 Question Type : MCQ Option Shuffling : No Is Question Mandatory : No Calculator : None Response Time : N.A Think Time : N.A Minimum Instruction Time : 0**

**Correct Marks : 5 Wrong Marks : 1**

**Question Key Details :**

Key	Value
Comprehension	MCQ

Choose the **correct** option as per the given figure:



1. A hexagonal prism is resting on H.P. on its base.
2. A pentagonal prism is resting on H.P. on its base.
3. A pentagonal pyramid is resting on H.P. on its apex.
4. A pentagonal pyramid is resting on H.P. on its base.

**Options :**

- 485584138441. 1
- 485584138442. 2
- 485584138443. 3
- 485584138444. 4

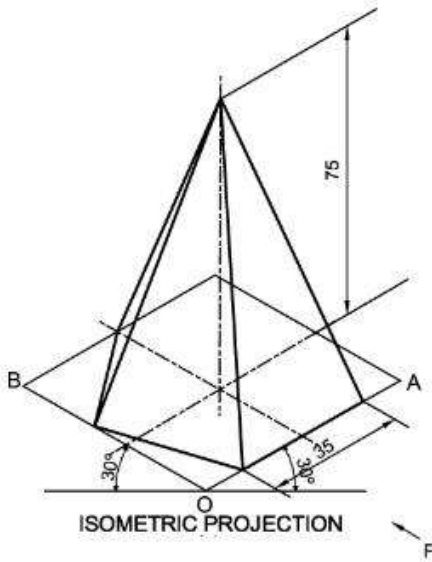
**Question Number : 106 Question Id : 48558434611 Question Type : MCQ Option Shuffling : No Is Question Mandatory : No Calculator : None Response Time : N.A Think Time : N.A Minimum Instruction Time : 0**

**Correct Marks : 5 Wrong Marks : 1**

**Question Key Details :**

Key	Value
Comprehension	MCQ

ശരിയായ പ്രസ്താവന തിരഞ്ഞെടുക്കുക.



ഐസോമെട്രിക് പ്രൊജക്ഷൻ

1. ഒരു ഷഡ്ഭുജ പ്രിസം അതിന്റെ ബേസിൽ HPൽ നിൽക്കുന്നു
2. ഒരു പഞ്ചഭുജ പ്രിസം അതിന്റെ ബേസിൽ HPൽ നിൽക്കുന്നു
3. ഒരു പഞ്ചഭുജ പിരമിഡ് അതിന്റെ അഗ്രത്തിൽ HPൽ നിൽക്കുന്നു
4. ഒരു പഞ്ചഭുജ പിരമിഡ് അതിന്റെ ബേസിൽ HPൽ നിൽക്കുന്നു

Options :

- 485584138441. 1
- 485584138442. 2
- 485584138443. 3
- 485584138444. 4

Question Number : 107 Question Id : 48558434612 Question Type : MCQ Option Shuffling : No Is Question Mandatory : No Calculator : None Response Time : N.A Think Time : N.A Minimum Instruction Time : 0

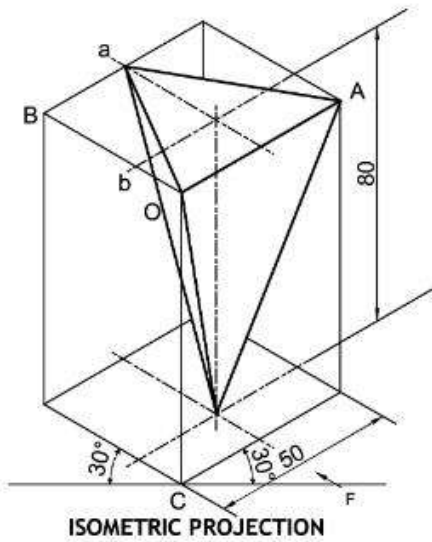
Correct Marks : 5 Wrong Marks : 1

Question Key Details :

Key	Value
Comprehension	MCQ



Choose the **correct** option as per the given figure:



1. One of its base edges is perpendicular to V.P.
2. One of its base edges is parallel to V.P. and away from the observer.
3. One of its base edges is parallel to V.P. and nearer to the observer.
4. One of its base edges is perpendicular to H.P.

**Options :**

485584138445. 1

485584138446. 2

485584138447. 3

485584138448. 4

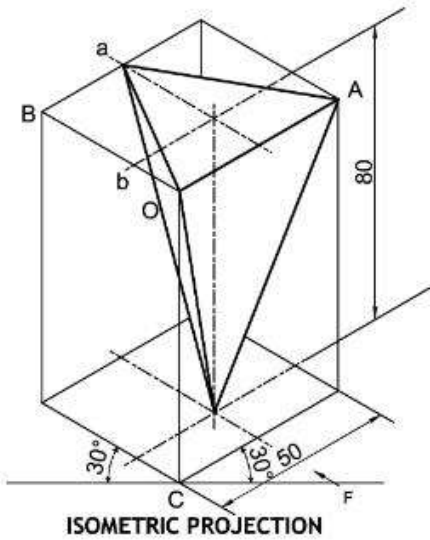
**Question Number : 107 Question Id : 48558434612 Question Type : MCQ Option Shuffling : No Is Question Mandatory : No Calculator : None Response Time : N.A Think Time : N.A Minimum Instruction Time : 0**

**Correct Marks : 5 Wrong Marks : 1**

**Question Key Details :**

Key	Value
Comprehension	MCQ

തന്നിരിക്കുന്ന ചിത്രത്തിന്റെ അടിസ്ഥാനത്തിൽ ശരിയായ ഉത്തരം തിരഞ്ഞെടുക്കുക.



ഐസോമെട്രിക് പ്രൊജക്ഷൻ

1. അതിന്റെ ഒരു ബേസ് സൈഡ് VPക്ക് ലംബമാണ്
2. അതിന്റെ ഒരു ബേസ് സൈഡ് VPക്ക് സമാന്തരവും നിരീക്ഷൻ അകലെയുമാണ്
3. അതിന്റെ ഒരു ബേസ് സൈഡ് VPക്ക് സമാന്തരവും നിരീക്ഷൻ അടുത്തുമാണ്
4. അതിന്റെ ഒരു ബേസ് സൈഡ് H.Pക്ക് ലംബമാണ്.

**Options :**

- 485584138445. 1
- 485584138446. 2
- 485584138447. 3
- 485584138448. 4

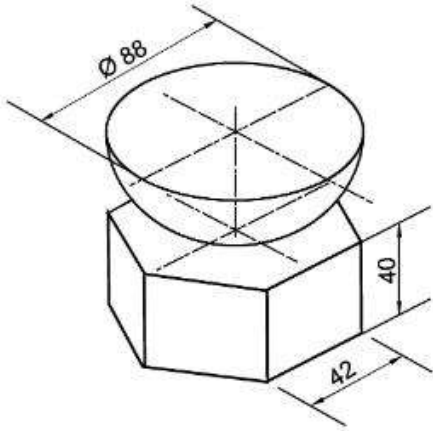
**Question Number : 108 Question Id : 48558434613 Question Type : MCQ Option Shuffling : No Is Question Mandatory : No Calculator : None Response Time : N.A Think Time : N.A Minimum Instruction Time : 0**

**Correct Marks : 5 Wrong Marks : 1**

**Question Key Details :**

Key	Value
Comprehension	MCQ

Choose the **correct** option as per the given figure:



1. A hemisphere is resting on a hexagonal pyramid.
2. A hemisphere is resting on a hexagonal prism.
3. A sphere is resting on a pentagonal pyramid.
4. A sphere is resting on a hexagonal prism.

**Options :**

- 485584138449. 1
- 485584138450. 2
- 485584138451. 3
- 485584138452. 4

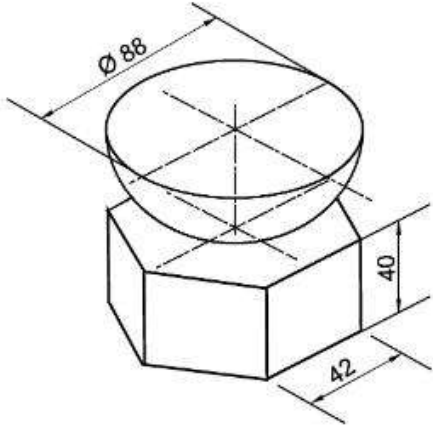
**Question Number : 108 Question Id : 48558434613 Question Type : MCQ Option Shuffling : No Is Question Mandatory : No Calculator : None Response Time : N.A Think Time : N.A Minimum Instruction Time : 0**

**Correct Marks : 5 Wrong Marks : 1**

**Question Key Details :**

Key	Value
Comprehension	MCQ

ചിത്രത്തിന്റെ അടിസ്ഥാനത്തിൽ ശരിയായ പ്രസ്താവന ഏത്.



1. ഒരു അർദ്ധഗോളം ഒരു ഷഡ്ഭുജ പിരമിഡിൽ നിൽക്കുന്നു
2. ഒരു അർദ്ധഗോളം ഒരു ഷഡ്ഭുജ പ്രിസത്തിൽ നിൽക്കുന്നു
3. ഒരു ഗോളം ഒരു പഞ്ചഭുജ പിരമിഡിൽ നിൽക്കുന്നു
4. ഒരു ഗോളം ഒരു ഷഡ്ഭുജ പ്രിസത്തിൽ നിൽക്കുന്നു

**Options :**

- 485584138449. 1
- 485584138450. 2
- 485584138451. 3
- 485584138452. 4

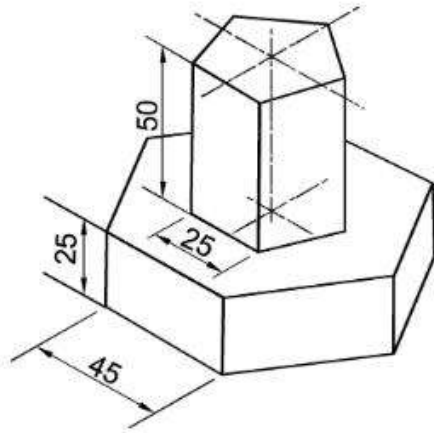
**Question Number : 109 Question Id : 48558434614 Question Type : MCQ Option Shuffling : No Is Question Mandatory : No Calculator : None Response Time : N.A Think Time : N.A Minimum Instruction Time : 0**

**Correct Marks : 5 Wrong Marks : 1**

**Question Key Details :**

Key	Value
Comprehension	MCQ

How many rectangular faces are there in the given figure:



1. 9
2. 10
3. 11
4. 12

**Options :**

- 485584138453. 1
- 485584138454. 2
- 485584138455. 3
- 485584138456. 4

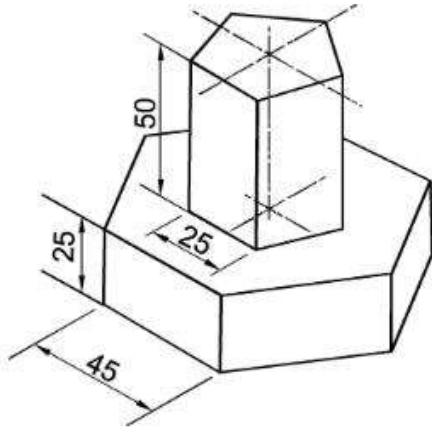
**Question Number : 109 Question Id : 48558434614 Question Type : MCQ Option Shuffling : No Is Question Mandatory : No Calculator : None Response Time : N.A Think Time : N.A Minimum Instruction Time : 0**

**Correct Marks : 5 Wrong Marks : 1**

**Question Key Details :**

Key	Value
Comprehension	MCQ

താഴെ തന്നിരിക്കുന്ന ചിത്രത്തിൽ എത്ര ദീർഘചതുര മുഖങ്ങൾ ഉണ്ട്:



1. 9
2. 10
3. 11
4. 12

**Options :**

- 485584138453. 1
- 485584138454. 2
- 485584138455. 3
- 485584138456. 4

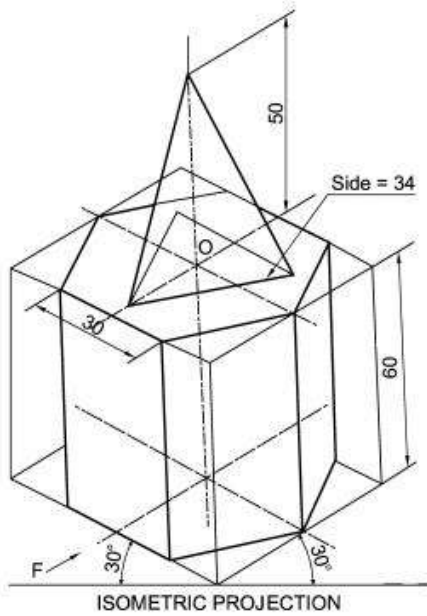
**Question Number : 110 Question Id : 48558434615 Question Type : MCQ Option Shuffling : No Is Question Mandatory : No Calculator : None Response Time : N.A Think Time : N.A Minimum Instruction Time : 0**

**Correct Marks : 5 Wrong Marks : 1**

**Question Key Details :**

Key	Value
Comprehension	MCQ

Choose the **correct** option as per the given figure:



1. Axial height of isometric projection of combination of solids is 88 mm.
2. Axial height of isometric projection of combination of solids is 110 mm.
3. Axial height of isometric projection of combination of solids is 60 mm.
4. Axial height of isometric projection of combination of solids is 50 mm.

**Options :**

- 485584138457. 1
- 485584138458. 2
- 485584138459. 3
- 485584138460. 4

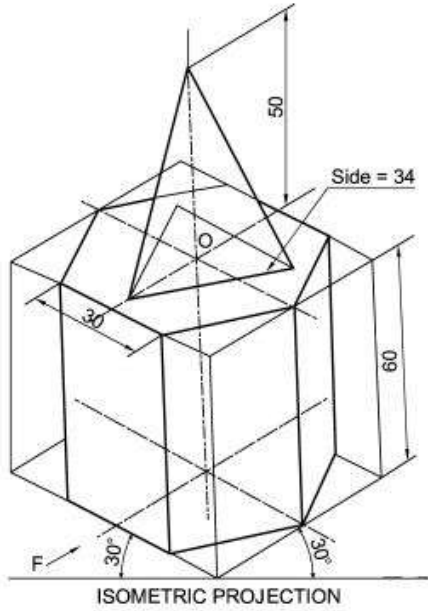
**Question Number : 110 Question Id : 48558434615 Question Type : MCQ Option Shuffling : No Is Question Mandatory : No Calculator : None Response Time : N.A Think Time : N.A Minimum Instruction Time : 0**

**Correct Marks : 5 Wrong Marks : 1**

**Question Key Details :**

Key	Value
Comprehension	MCQ

ഘനരൂപങ്ങളുടെ സംയുക്ത രൂപത്തിന്റേ ഒരു ഐസോമെട്രിക് പ്രൊജക്ഷനാണ് തന്നിരിക്കുന്ന ചിത്രം. ശരിയുത്തരം തിരഞ്ഞെടുക്കുക.



1. ഘനരൂപങ്ങളുടെ സംയുക്ത രൂപത്തിന്റേ ആകൃതിയല്യ്; ഉയരം 88 mm ആണ്.
2. ഘനരൂപങ്ങളുടെ സംയുക്ത രൂപത്തിന്റേ ആകൃതിയല്യ്; ഉയരം 110 mm ആണ്.
3. ഘനരൂപങ്ങളുടെ സംയുക്ത രൂപത്തിന്റേ ആകൃതിയല്യ്; ഉയരം 60 mm ആണ്.
4. ഘനരൂപങ്ങളുടെ സംയുക്ത രൂപത്തിന്റേ ആകൃതിയല്യ്; ഉയരം 50 mm ആണ്.

**Options :**

- 485584138457. 1
- 485584138458. 2
- 485584138459. 3
- 485584138460. 4

**Question Number : 111 Question Id : 48558434616 Question Type : MCQ Option Shuffling : No Is Question Mandatory : No Calculator : None Response Time : N.A Think Time : N.A Minimum Instruction Time : 0**

**Correct Marks : 5 Wrong Marks : 1**

**Question Key Details :**

Key	Value
Comprehension	MCQ



In a Screw thread, theoretical depth (D) of the thread will be equal to \_\_\_\_\_.

1. (Major Diameter) – (Minor Diameter)
2.  $\frac{\{(Major\ Diameter) - (Minor\ Diameter)\}}{2}$
3.  $2 \times \{(Major\ Diameter) - (Minor\ Diameter)\}$
4. (Major Diameter) + (Minor Diameter)

**Options :**

- 485584138461. 1
- 485584138462. 2
- 485584138463. 3
- 485584138464. 4

**Question Number : 111 Question Id : 48558434616 Question Type : MCQ Option Shuffling : No Is Question Mandatory : No Calculator : None Response Time : N.A Think Time : N.A Minimum Instruction Time : 0**

**Correct Marks : 5 Wrong Marks : 1**

**Question Key Details :**

Key	Value
Comprehension	MCQ

ഒരു സ്ക്രൂ ത്രെഡിൽ ത്രെഡിന്റെ തീയറിറ്റുകൾ ഡെപ്ത് \_\_\_\_\_ ന് തുല്യമാണ്.

1.  
(മേജർ ഡയമീറ്റർ) - (മൈനർ ഡയമീറ്റർ)
2.  $\frac{\{(മേജർ ഡയമീറ്റർ) - (മൈനർ ഡയമീറ്റർ)\}}{2}$
3.  $2 \times \{(മേജർ ഡയമീറ്റർ) - (മൈനർ ഡയമീറ്റർ)\}$
4. (മേജർ ഡയമീറ്റർ) + (മൈനർ ഡയമീറ്റർ)

**Options :**

- 485584138461. 1
- 485584138462. 2
- 485584138463. 3
- 485584138464. 4

**Question Number : 112 Question Id : 48558434617 Question Type : MCQ Option Shuffling : No Is Question Mandatory : No Calculator : None Response Time : N.A Think Time : N.A Minimum Instruction Time : 0**

**Correct Marks : 5 Wrong Marks : 1**

**Question Key Details :**

Key	Value
Comprehension	MCQ

If pitch is 'P' in B.S.W. thread, then the value of 'd' (d= Actual Depth) will be \_\_\_\_\_.

1. 0.96P
2. 0.64P
3. 0.51P
4. 0.86P

**Options :**

485584138465. 1  
485584138466. 2  
485584138467. 3  
485584138468. 4

**Question Number : 112 Question Id : 48558434617 Question Type : MCQ Option Shuffling : No Is Question Mandatory : No Calculator : None Response Time : N.A Think Time : N.A Minimum Instruction Time : 0**

**Correct Marks : 5 Wrong Marks : 1**

**Question Key Details :**

Key	Value
Comprehension	MCQ

BSW ത്രോഡിൽ പിച്ച് ('P') 50 mm ആണെങ്കിൽ 'd' യുടെ വില (d= ആക്ച്വൽ ഡെപ്ത്) \_\_\_\_\_.

1. 0.96P
2. 0.64P
3. 0.51P
4. 0.86P

**Options :**

485584138465. 1  
485584138466. 2  
485584138467. 3  
485584138468. 4

**Question Number : 113 Question Id : 48558434618 Question Type : MCQ Option Shuffling : No Is Question Mandatory : No Calculator : None Response Time : N.A Think Time : N.A Minimum Instruction Time : 0**

**Correct Marks : 5 Wrong Marks : 1**

**Question Key Details :**

Key	Value
Comprehension	MCQ

Thread profile on an electric bulb:

1. Metric internal thread
2. Square thread
3. B.S.W. thread
4. Knuckle thread

**Options :**

485584138469. 1  
485584138470. 2  
485584138471. 3  
485584138472. 4

**Question Number : 113 Question Id : 48558434618 Question Type : MCQ Option Shuffling : No Is Question Mandatory : No Calculator : None Response Time : N.A Think Time : N.A Minimum Instruction Time : 0**

**Correct Marks : 5 Wrong Marks : 1**

**Question Key Details :**

Key	Value
Comprehension	MCQ

ഇലക്ട്രിക് ബൾബിലെ ത്രേഡ് പ്രൊഫൈൽ

1. മെട്രിക് ഇന്റേണൽ ത്രേഡ്
2. സ്ക്വയർ ത്രേഡ്
3. BSW ത്രേഡ്
4. നക്ക്കിൾ ത്രേഡ്

**Options :**

485584138469. 1  
485584138470. 2  
485584138471. 3  
485584138472. 4

**Question Number : 114 Question Id : 48558434619 Question Type : MCQ Option Shuffling : No Is Question Mandatory : No Calculator : None Response Time : N.A Think Time : N.A Minimum Instruction Time : 0**

**Correct Marks : 5 Wrong Marks : 1**

**Question Key Details :**

Key	Value
Comprehension	MCQ

The total length of a bolt does not include its \_\_\_\_\_.

1. shank length
2. threaded length
3. head thickness / head height
4. non-threaded length

**Options :**

485584138473. 1  
485584138474. 2  
485584138475. 3  
485584138476. 4

**Question Number : 114 Question Id : 48558434619 Question Type : MCQ Option Shuffling : No Is Question Mandatory : No Calculator : None Response Time : N.A Think Time : N.A Minimum Instruction Time : 0**

**Correct Marks : 5 Wrong Marks : 1**

**Question Key Details :**

Key	Value
Comprehension	MCQ

ബോൾട്ടിന്റെ ആകെ നീളത്തിൽ ഉൾപ്പെടാത്തത് \_\_\_\_\_.

1. ഷാങ്കിന്റെ നീളം
2. ത്രേഡ് ചെയ്ത ഭാഗത്തിന്റെ നീളം
3. ഹെഡിന്റെ വലിപ്പം/ഉയരം
4. ത്രേഡ് ചെയ്യാത്ത ഭാഗത്തിന്റെ നീളം

**Options :**

485584138473. 1  
485584138474. 2  
485584138475. 3  
485584138476. 4

**Question Number : 115 Question Id : 48558434620 Question Type : MCQ Option Shuffling : No Is Question Mandatory : No Calculator : None Response Time : N.A Think Time : N.A Minimum Instruction Time : 0**

**Correct Marks : 5 Wrong Marks : 1**

**Question Key Details :**

Key	Value
Comprehension	MCQ

\_\_\_\_\_ is the diameter of the chamfered circle of a square nut used for bolt of size M30.

1. 40 mm
2. 60 mm
3. 30 mm
4. 45 mm

**Options :**

485584138477. 1  
485584138478. 2  
485584138479. 3  
485584138480. 4

**Question Number : 115 Question Id : 48558434620 Question Type : MCQ Option Shuffling : No Is Question Mandatory : No Calculator : None Response Time : N.A Think Time : N.A Minimum Instruction Time : 0**

**Correct Marks : 5 Wrong Marks : 1**

**Question Key Details :**

Key	Value
Comprehension	MCQ

M30 വലിപ്പമുള്ള ബോൾട്ടിന് ഉപയോഗിക്കുന്ന ചതുരാകൃതിയിലുള്ള നട്ടിന്റെ ചേംഫേർഡ് സർക്കിളിന്റെ വ്യാസം \_\_\_\_\_ mm ആണ്.

1. 40
2. 60
3. 30
4. 45

**Options :**

485584138477. 1  
485584138478. 2  
485584138479. 3  
485584138480. 4

**Question Number : 116 Question Id : 48558434621 Question Type : MCQ Option Shuffling : No Is Question Mandatory : No Calculator : None Response Time : N.A Think Time : N.A Minimum Instruction Time : 0**

**Correct Marks : 5 Wrong Marks : 1**

**Question Key Details :**

Key	Value
Comprehension	MCQ

The value of outer diameter of a plain washer for a bolt of nominal diameter 24 mm is \_\_\_\_\_.

- 1. 25 mm
- 2. 3 mm
- 3. 51 mm
- 4. 24 mm

**Options :**

- 485584138481. 1
- 485584138482. 2
- 485584138483. 3
- 485584138484. 4

**Question Number : 116 Question Id : 48558434621 Question Type : MCQ Option Shuffling : No Is Question Mandatory : No Calculator : None Response Time : N.A Think Time : N.A Minimum Instruction Time : 0**

**Correct Marks : 5 Wrong Marks : 1**

**Question Key Details :**

Key	Value
Comprehension	MCQ

വ്യാസം 24 mm ഉള്ള ബോൾട്ടിനുള്ള പ്ലെയിൻ വാഷറിന്റെ പുറം വ്യാസം \_\_\_\_\_.

- 1. 25 mm
- 2. 3 mm
- 3. 51 mm
- 4. 24 mm

**Options :**

- 485584138481. 1
- 485584138482. 2
- 485584138483. 3
- 485584138484. 4

**Question Number : 117 Question Id : 48558434622 Question Type : MCQ Option Shuffling : No Is Question Mandatory : No Calculator : None Response Time : N.A Think Time : N.A Minimum Instruction Time : 0**

**Correct Marks : 5 Wrong Marks : 1**

**Question Key Details :**

Key	Value
Comprehension	MCQ

In conventional representation of V-thread, the side view shows a complete thick circle representing the \_\_\_\_\_.

1. Crest
2. Root
3. Lead
4. Pitch

**Options :**

- 485584138485. 1
- 485584138486. 2
- 485584138487. 3
- 485584138488. 4

**Question Number : 117 Question Id : 48558434622 Question Type : MCQ Option Shuffling : No Is Question Mandatory : No Calculator : None Response Time : N.A Think Time : N.A Minimum Instruction Time : 0**

**Correct Marks : 5 Wrong Marks : 1**

**Question Key Details :**

Key	Value
Comprehension	MCQ

V-തരഡിന്റെ വ്യവസ്ഥാപിത ചിത്രത്തിന്റെ വശത്തിൽ കാണുന്ന തടിച്ച വൃത്തം \_\_\_\_\_ ആണ്.

1. ക്രസ്റ്റ്
2. റൂട്ട്
3. ലീഡ്
4. പിച്ച്

**Options :**

- 485584138485. 1
- 485584138486. 2
- 485584138487. 3
- 485584138488. 4

**Question Number : 118 Question Id : 48558434623 Question Type : MCQ Option Shuffling : No Is Question Mandatory : No Calculator : None Response Time : N.A Think Time : N.A Minimum Instruction Time : 0**

**Correct Marks : 5 Wrong Marks : 1**

**Question Key Details :**

Key	Value
Comprehension	MCQ

Length of metal end for a Square neck stud of diameter 'd=30 mm' can be \_\_\_\_\_.

1. 15 mm
2. 25 mm
3. 45 mm
4. 60 mm

**Options :**

- 485584138489. 1
- 485584138490. 2
- 485584138491. 3
- 485584138492. 4

**Question Number : 118 Question Id : 48558434623 Question Type : MCQ Option Shuffling : No Is Question Mandatory : No Calculator : None Response Time : N.A Think Time : N.A Minimum Instruction Time : 0**

**Correct Marks : 5 Wrong Marks : 1**

**Question Key Details :**

Key	Value
Comprehension	MCQ

ഡയമീറ്റർ 'd'=30mm ആയ ഒരു സ്ക്വയർ നെക്ക് സ്റ്റഡിന്റെ മെറ്റൽ എൻഡിന്റെ നീളം \_\_\_\_\_.

1. 15 mm
2. 25 mm
3. 45 mm
4. 60 mm

**Options :**

- 485584138489. 1
- 485584138490. 2
- 485584138491. 3
- 485584138492. 4

**Question Number : 119 Question Id : 48558434624 Question Type : MCQ Option Shuffling : No Is Question Mandatory : No Calculator : None Response Time : N.A Think Time : N.A Minimum Instruction Time : 0**

**Correct Marks : 5 Wrong Marks : 1**

**Question Key Details :**

Key	Value
Comprehension	MCQ



The thickness of collar in a Collar stud of diameter 30 mm is :

1. 30 mm
2. 45 mm
3. 12 mm
4. 20 mm

**Options :**

485584138493. 1  
485584138494. 2  
485584138495. 3  
485584138496. 4

**Question Number : 119 Question Id : 48558434624 Question Type : MCQ Option Shuffling : No Is Question Mandatory : No Calculator : None Response Time : N.A Think Time : N.A Minimum Instruction Time : 0**

**Correct Marks : 5 Wrong Marks : 1**

**Question Key Details :**

Key	Value
Comprehension	MCQ

30 mm ഡയമീറ്റർ ഉള്ള ഒരു കോളർ സ്റ്റഡിന്റെ കോളറിന്റെ വണ്ണം (തികസ്സ്) :

1. 30 mm
2. 45 mm
3. 12 mm
4. 20 mm

**Options :**

485584138493. 1  
485584138494. 2  
485584138495. 3  
485584138496. 4

**Question Number : 120 Question Id : 48558434625 Question Type : MCQ Option Shuffling : No Is Question Mandatory : No Calculator : None Response Time : N.A Think Time : N.A Minimum Instruction Time : 0**

**Correct Marks : 5 Wrong Marks : 1**

**Question Key Details :**

Key	Value
Comprehension	MCQ

Rivets are not used in \_\_\_\_\_.

1. a pressure cooker
2. belts
3. a frying pan
4. a wooden stool

**Options :**

485584138497. 1  
485584138498. 2  
485584138499. 3  
485584138500. 4

**Question Number : 120 Question Id : 48558434625 Question Type : MCQ Option Shuffling : No Is Question Mandatory : No Calculator : None Response Time : N.A Think Time : N.A Minimum Instruction Time : 0**

**Correct Marks : 5 Wrong Marks : 1**

**Question Key Details :**

Key	Value
Comprehension	MCQ

റിവിറ്റ് ഉപയോഗിക്കാത്തത് \_\_\_\_\_

1. പ്രഷർ കുക്കർ
2. ബെൽറ്റ്
3. ഫ്രൈയിംഗ് പാൻ
4. മരത്തിന്റെ പീഠം

**Options :**

485584138497. 1  
485584138498. 2  
485584138499. 3  
485584138500. 4

**Question Number : 121 Question Id : 48558434626 Question Type : MCQ Option Shuffling : No Is Question Mandatory : No Calculator : None Response Time : N.A Think Time : N.A Minimum Instruction Time : 0**

**Correct Marks : 5 Wrong Marks : 1**

**Question Key Details :**

Key	Value
Comprehension	MCQ

In the top view of a vertical Pan Head Rivet of diameter 20mm, \_\_\_\_\_ is the diameter of the outer circle.

1. 20 mm
2. 32 mm
3. 40 mm
4. 25 mm

**Options :**

- 485584138501. 1
- 485584138502. 2
- 485584138503. 3
- 485584138504. 4

**Question Number : 121 Question Id : 48558434626 Question Type : MCQ Option Shuffling : No Is Question Mandatory : No Calculator : None Response Time : N.A Think Time : N.A Minimum Instruction Time : 0**

**Correct Marks : 5 Wrong Marks : 1**

**Question Key Details :**

Key	Value
Comprehension	MCQ

മുകളിൽ നിന്നുള്ള കാഴ്ചയിൽ ലംബമായ പാൻ ഹെഡ് റിവിറ്റിന്റെ ഡയമീറ്റർ 20mm ആണ്. അതിന്റെ ഔട്ടർ സർക്കിളിന്റെ ഡയമീറ്റർ \_\_\_\_\_.

1. 20 mm
2. 32 mm
3. 40 mm
4. 25 mm

**Options :**

- 485584138501. 1
- 485584138502. 2
- 485584138503. 3
- 485584138504. 4

**Question Number : 122 Question Id : 48558434627 Question Type : MCQ Option Shuffling : No Is Question Mandatory : No Calculator : None Response Time : N.A Think Time : N.A Minimum Instruction Time : 0**

**Correct Marks : 5 Wrong Marks : 1**

**Question Key Details :**

Key	Value
Comprehension	MCQ

This assembly has an oil hole:

1. Sleeve and cotter joint assembly
2. Turnbuckle joint assembly
3. Bush bearing assembly
4. Open bearing assembly

**Options :**

- 485584138505. 1
- 485584138506. 2
- 485584138507. 3
- 485584138508. 4

**Question Number : 122 Question Id : 48558434627 Question Type : MCQ Option Shuffling : No Is Question Mandatory : No Calculator : None Response Time : N.A Think Time : N.A Minimum Instruction Time : 0**

**Correct Marks : 5 Wrong Marks : 1**

**Question Key Details :**

Key	Value
Comprehension	MCQ

ഈ അസംബിക്ക് ഒരു ഓയിൽ ഹോൾ ഉണ്ട്.

1. സ്ലീവ് ആന്റ് കട്ടർ ജോയിന്റ് അസംബി
2. ടേൺബുക്കിൾ ജോയിന്റ് അസംബി
3. ബുഷ് ബെയറിംഗ് അസംബി
4. ഓപ്പൺ ബെയറിംഗ് അസംബി

**Options :**

- 485584138505. 1
- 485584138506. 2
- 485584138507. 3
- 485584138508. 4

**Question Number : 123 Question Id : 48558434628 Question Type : MCQ Option Shuffling : No Is Question Mandatory : No Calculator : None Response Time : N.A Think Time : N.A Minimum Instruction Time : 0**

**Correct Marks : 5 Wrong Marks : 1**

**Question Key Details :**

Key	Value
Comprehension	MCQ

Open Bearing is used for \_\_\_\_\_.

1. vertical shafts
2. shafts rotating at high speed
3. shafts rotating at medium speed
4. zigzag shafts

**Options :**

- 485584138509. 1
- 485584138510. 2
- 485584138511. 3
- 485584138512. 4

**Question Number : 123 Question Id : 48558434628 Question Type : MCQ Option Shuffling : No Is Question Mandatory : No Calculator : None Response Time : N.A Think Time : N.A Minimum Instruction Time : 0**

**Correct Marks : 5 Wrong Marks : 1**

**Question Key Details :**

Key	Value
Comprehension	MCQ

ഓപ്പൺ ബെയറിംഗ് ഉപയോഗിക്കുന്നത് \_\_\_\_\_.

1. വെർട്ടിക്കൽ ഷാഫ്റ്റ്
2. ഹൈ സ്പീഡിൽ കറങ്ങുന്ന ഷാഫ്റ്റ്
3. മീഡിയം സ്പീഡിൽ കറങ്ങുന്ന ഷാഫ്റ്റ്
4. സിസ്റ്റം ഷാഫ്റ്റ്

**Options :**

- 485584138509. 1
- 485584138510. 2
- 485584138511. 3
- 485584138512. 4

**Question Number : 124 Question Id : 48558434629 Question Type : MCQ Option Shuffling : No Is Question Mandatory : No Calculator : None Response Time : N.A Think Time : N.A Minimum Instruction Time : 0**

**Correct Marks : 5 Wrong Marks : 1**

**Question Key Details :**

Key	Value
Comprehension	MCQ

This bearing / joint is useful for higher loads at medium speed:

1. Bush Bearing
2. Open Bearing
3. Gib and Cotter joint
4. Sleeve and Cotter joint

**Options :**

- 485584138513. 1
- 485584138514. 2
- 485584138515. 3
- 485584138516. 4

**Question Number : 124 Question Id : 48558434629 Question Type : MCQ Option Shuffling : No Is Question Mandatory : No Calculator : None Response Time : N.A Think Time : N.A Minimum Instruction Time : 0**

**Correct Marks : 5 Wrong Marks : 1**

**Question Key Details :**

Key	Value
Comprehension	MCQ

ഒരു മീഡിയം സ്പീഡിൽ ഉയർന്ന ഭാരത്തിന് ഉപയോഗപ്രദമായ ബെയറിംഗ്/ജോയിന്റ് ആണ് ഇത്.

1. ബുഷ് ബെയറിംഗ്
2. ഓപ്പൺ ബെയറിംഗ്
3. ജിബ് ആന്റ് കട്ടർ ജോയിന്റ്
4. സ്ലീവ് ആന്റ് കട്ടർ ജോയിന്റ്

**Options :**

- 485584138513. 1
- 485584138514. 2
- 485584138515. 3
- 485584138516. 4

**Question Number : 125 Question Id : 48558434630 Question Type : MCQ Option Shuffling : No Is Question Mandatory : No Calculator : None Response Time : N.A Think Time : N.A Minimum Instruction Time : 0**

**Correct Marks : 5 Wrong Marks : 1**

**Question Key Details :**

Key	Value
Comprehension	MCQ

In a Sleeve and Cotter joint, each rod has \_\_\_\_\_ rectangular hole(s) for the insertion of cotter at right angle to the axis.

- 1. One
- 2. Two
- 3. Three
- 4. Five

**Options :**

- 485584138517. 1
- 485584138518. 2
- 485584138519. 3
- 485584138520. 4

**Question Number : 125 Question Id : 48558434630 Question Type : MCQ Option Shuffling : No Is Question Mandatory : No Calculator : None Response Time : N.A Think Time : N.A Minimum Instruction Time : 0**

**Correct Marks : 5 Wrong Marks : 1**

**Question Key Details :**

Key	Value
Comprehension	MCQ

ഒരു സ്ലീവ് ആന്റ് കോട്ടർ ജോയിന്റിന്റെ ഓരോ റോഡിനും ആക്സിസിന്റെ റൈറ്റ് ആംഗിളിലായി കോട്ടർ ഇൻസേർട്ട് ചെയ്യാൻ \_\_\_\_\_ റെക്ടാംഗുലർ ഹോൾ/ഹോളുകൾ ഉണ്ട്.

- 1. ഒന്ന്
- 2. രണ്ട്
- 3. മൂന്ന്
- 4. അഞ്ച്

**Options :**

- 485584138517. 1
- 485584138518. 2
- 485584138519. 3
- 485584138520. 4

**Question Number : 126 Question Id : 48558434631 Question Type : MCQ Option Shuffling : No Is Question Mandatory : No Calculator : None Response Time : N.A Think Time : N.A Minimum Instruction Time : 0**

**Correct Marks : 5 Wrong Marks : 1**

**Question Key Details :**

Key	Value
Comprehension	MCQ

A machine part which prevents slacking of the joint besides holding the jaws of the strap from opening wide when the cotter is inserted;

- 1. Cotter
- 2. Rod
- 3. Gib
- 4. Sleeve

**Options :**

- 485584138521. 1
- 485584138522. 2
- 485584138523. 3
- 485584138524. 4

**Question Number : 126 Question Id : 48558434631 Question Type : MCQ Option Shuffling : No Is Question Mandatory : No Calculator : None Response Time : N.A Think Time : N.A Minimum Instruction Time : 0**

**Correct Marks : 5 Wrong Marks : 1**

**Question Key Details :**

Key	Value
Comprehension	MCQ

കോട്ടർ ഇൻസേർട്ട് ചെയ്യുമ്പോൾ സ്ക്രാപ്പിന്റെ ജോവ്സ് വലുതായി തുറക്കുന്നതിൽ നിന്ന് ജോയിന്റ് ഒട്ടിപ്പിടിക്കുന്നത് തടയുന്ന ഒരു യന്ത്രഭാഗം.

- 1. കോട്ടർ
- 2. റോഡ്
- 3. ജിബ്
- 4. സ്ലീവ്

**Options :**

- 485584138521. 1
- 485584138522. 2
- 485584138523. 3
- 485584138524. 4

**Question Number : 127 Question Id : 48558434632 Question Type : MCQ Option Shuffling : No Is Question Mandatory : No Calculator : None Response Time : N.A Think Time : N.A Minimum Instruction Time : 0**

**Correct Marks : 5 Wrong Marks : 1**

**Question Key Details :**

Key	Value
Comprehension	MCQ



In Flange Pipe Joint, if it is mentioned SQ Headed Bolt MS-4 OFF. What is the meaning of 4 OFF ?

1. Four number of bolt.
2. Four types of bolt.
3. Four mm length of bolt.
4. Four mm thickness of bolt.

**Options :**

- 485584138525. 1
- 485584138526. 2
- 485584138527. 3
- 485584138528. 4

**Question Number : 127 Question Id : 48558434632 Question Type : MCQ Option Shuffling : No Is Question Mandatory : No Calculator : None Response Time : N.A Think Time : N.A Minimum Instruction Time : 0**

**Correct Marks : 5 Wrong Marks : 1**

**Question Key Details :**

Key	Value
Comprehension	MCQ

ഫ്ലാഞ്ച് പൈപ്പ് ജോയിന്റിൽ, സ്ക്വയർ ഹെഡ് ബോൾട്ട് MS-4 OFF എന്ന് സൂചിപ്പിച്ചിട്ടുണ്ടെങ്കിൽ 4 OFF ന്റെ അർത്ഥം എന്ത്?

1. നാല് ബോൾട്ട്
2. നാല് ടൈപ്പ് ബോൾട്ട്
3. നാല് mm നീളമുള്ള ബോൾട്ട്
4. നാല് mm തിര്യം ഉള്ള ബോൾട്ട്

**Options :**

- 485584138525. 1
- 485584138526. 2
- 485584138527. 3
- 485584138528. 4

**Question Number : 128 Question Id : 48558434633 Question Type : MCQ Option Shuffling : No Is Question Mandatory : No Calculator : None Response Time : N.A Think Time : N.A Minimum Instruction Time : 0**

**Correct Marks : 5 Wrong Marks : 1**

**Question Key Details :**

Key	Value
Comprehension	MCQ

In Turnbuckle joint, the two rods have \_\_\_\_\_ screw threads.

1. Opposite hand external
2. Opposite hand internal
3. Both external RH
4. Both internal LH

**Options :**

485584138529. 1  
485584138530. 2  
485584138531. 3  
485584138532. 4

**Question Number : 128 Question Id : 48558434633 Question Type : MCQ Option Shuffling : No Is Question Mandatory : No Calculator : None Response Time : N.A Think Time : N.A Minimum Instruction Time : 0**

**Correct Marks : 5 Wrong Marks : 1**

**Question Key Details :**

Key	Value
Comprehension	MCQ

ടേൺബക്ലിൾ ജോയിന്റിൽ, രണ്ട് റോഡുകൾക്കും \_\_\_\_\_ സ്ക്രൂ ത്രെഡ്.

1. ഓപ്പോസിറ്റ് ഹാൻഡ് എക്സ്റ്റേണൽ
2. ഓപ്പോസിറ്റ് ഹാൻഡ് ഇന്റേണൽ
3. രണ്ടും എക്സ്റ്റേണൽ RH
4. രണ്ടും ഇന്റേണൽ LH

**Options :**

485584138529. 1  
485584138530. 2  
485584138531. 3  
485584138532. 4

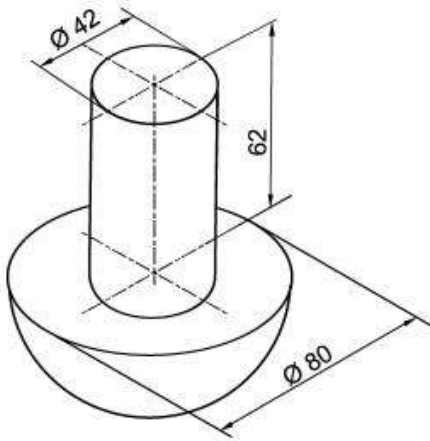
**Question Number : 129 Question Id : 48558434634 Question Type : MCQ Option Shuffling : No Is Question Mandatory : No Calculator : None Response Time : N.A Think Time : N.A Minimum Instruction Time : 0**

**Correct Marks : 5 Wrong Marks : 1**

**Question Key Details :**

Key	Value
Comprehension	MCQ

Identify the **correct** statements for the given figure:



- A. Axes of both solids are perpendicular to H.P.
- B. Axis of cylinder is perpendicular to V.P. and axis of hemisphere is perpendicular to H.P.
- C. A vertical cylinder is resting on the circular face of a hemisphere.
- D. A hemisphere is resting on a cylinder.
- E. A horizontal cylinder is resting on a hemisphere.

Choose the **correct** answer from the options given below:

- 1. B and E only
- 2. A and D only
- 3. D and E only
- 4. A and C only

**Options :**

- 485584138533. 1
- 485584138534. 2
- 485584138535. 3
- 485584138536. 4

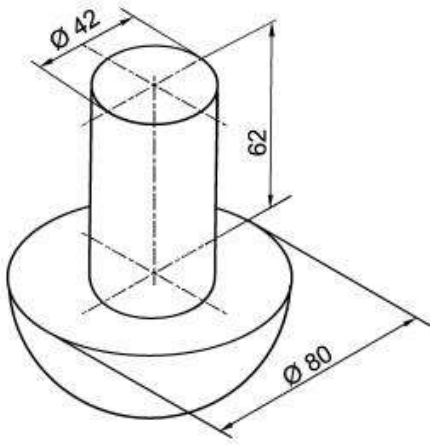
**Question Number : 129 Question Id : 48558434634 Question Type : MCQ Option Shuffling : No Is Question Mandatory : No Calculator : None Response Time : N.A Think Time : N.A Minimum Instruction Time : 0**

**Correct Marks : 5 Wrong Marks : 1**

**Question Key Details :**

Key	Value
Comprehension	MCQ

തന്നിരിക്കുന്ന ചിത്രത്തിന്റെ അടിസ്ഥാനത്തിൽ ശരിയായ പ്രസ്താവന ഏതെല്ലാം:



- A. രണ്ട് ഘനരൂപത്തിന്റെയും ആക്സിസ് HP ക്ക് ലംബമാണ്
- B. സിലിണ്ടറിന്റെ ആക്സിസ് VP ക്ക് ലംബവും അർദ്ധഗോളത്തിന്റെ ആക്സിസ് HP ക്ക് ലംബവും ആണ്
- C. ഒരു സിലിണ്ടർ ലംബമായി അർദ്ധഗോളത്തിന്റെ വൃത്ത മുഖത്തിൽ നിൽക്കുന്നു
- D. ഒരു അർദ്ധഗോളം ഒരു സിലിണ്ടറിൽ നിൽക്കുന്നു
- E. ഒരു തിരശ്ചീനമായ സിലിണ്ടർ അർദ്ധഗോളത്തിൽ നിൽക്കുന്നു

താഴെ തന്നിരിക്കുന്ന ഓപ്ഷനുകളിൽ നിന്നും ശരിയുത്തരം തിരഞ്ഞെടുക്കുക:

- 1. B, E മാത്രം
- 2. A, D മാത്രം
- 3. D, E മാത്രം
- 4. A, C മാത്രം

**Options :**

- 485584138533. 1
- 485584138534. 2
- 485584138535. 3
- 485584138536. 4

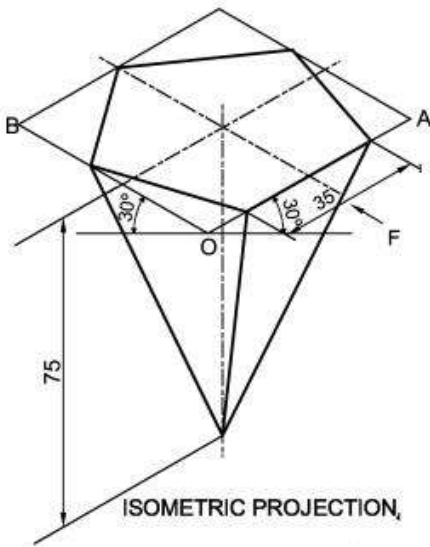
**Question Number : 130 Question Id : 48558434635 Question Type : MCQ Option Shuffling : No Is Question Mandatory : No Calculator : None Response Time : N.A Think Time : N.A Minimum Instruction Time : 0**

**Correct Marks : 5 Wrong Marks : 1**

**Question Key Details :**

Key	Value
Comprehension	MCQ

Identify the **correct** statements for the given figure:



- A. A pentagonal prism is resting on H.P. on its base.
- B. Axis of pyramid is perpendicular to V.P.
- C. Axis of pyramid is perpendicular to H.P.
- D. A pentagonal pyramid is resting on H.P. on its apex.
- E. Length of its axis is 35 mm.

Choose the **correct** answer from the options given below:

- 1. A and B only
- 2. C and D only
- 3. B and E only
- 4. A and C only

**Options :**

- 485584138537. 1
- 485584138538. 2
- 485584138539. 3
- 485584138540. 4

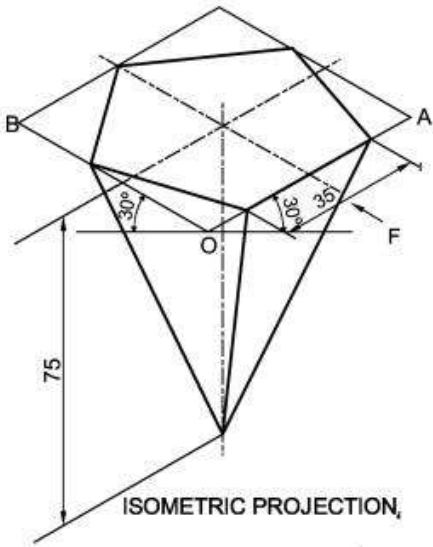
**Question Number : 130 Question Id : 48558434635 Question Type : MCQ Option Shuffling : No Is Question Mandatory : No Calculator : None Response Time : N.A Think Time : N.A Minimum Instruction Time : 0**

**Correct Marks : 5 Wrong Marks : 1**

**Question Key Details :**

Key	Value
Comprehension	MCQ

തന്നിരിക്കുന്ന ചിത്രത്തിന് ശരിയായ പ്രസ്താവന ഇതെല്ലാം.



- A. ഒരു പഞ്ചഭുജ പ്രിസം അതിന്റേയ്ക്കു ഘേസിലേയ്ക്കു HP ലേയ്ക്കു നിലയ്ക്കുന്നു
- B. പിരമിഡിന്റേയ്ക്കു ആക്സിസ് VP ക്ക് ലംബമാണ്
- C. Axis of pyramid is perpendicular to HP പിരമിഡിന്റേയ്ക്കു ആക്സിസ് HP ക്ക് ലംബമാണ്
- D. ഒരു പഞ്ചഭുജ പിരമിഡ് അതിന്റേയ്ക്കു അഗ്രത്തിലേയ്ക്കു HP ലേയ്ക്കു നിലയ്ക്കുന്നു
- E. ആക്സിസിന്റേയ്ക്കു നീളം 35 mm ആകുന്നു

താഴെ തന്നിരിക്കുന്ന ഓപ്ഷനുകളിൽ നിന്നും ശരിയുത്തരം തിരഞ്ഞെടുക്കുക:

- 1. A, B മാത്രം
- 2. C, D മാത്രം
- 3. B, E മാത്രം
- 4. A, C മാത്രം

**Options :**

- 485584138537. 1
- 485584138538. 2
- 485584138539. 3
- 485584138540. 4

**Question Number : 131 Question Id : 48558434636 Question Type : MCQ Option Shuffling : No Is Question Mandatory : No Calculator : None Response Time : N.A Think Time : N.A Minimum Instruction Time : 0**

**Correct Marks : 5 Wrong Marks : 1**

**Question Key Details :**

Key	Value
Comprehension	MCQ

Identify the **correct** statements for Isometric Projection of a Sphere:

- A. Its diameter is foreshortened.
- B. Its isometric projection appears as circle.
- C. Its isometric projection is drawn by taking an angle of  $60^\circ$  with the horizontal reference line.
- D. Its diameter is drawn using true scale.
- E. Its isometric projection appears as hemisphere.

Choose the **correct** answer from the options given below:

- 1. B and D only
- 2. B and C only
- 3. A and D only
- 4. A and E only

**Options :**

- 485584138541. 1
- 485584138542. 2
- 485584138543. 3
- 485584138544. 4

**Question Number : 131 Question Id : 48558434636 Question Type : MCQ Option Shuffling : No Is Question Mandatory : No Calculator : None Response Time : N.A Think Time : N.A Minimum Instruction Time : 0**

**Correct Marks : 5 Wrong Marks : 1**

**Question Key Details :**

Key	Value
Comprehension	MCQ

ഗോളത്തിന്റെ ഐസോമെട്രിക് പ്രൊജക്ഷൻ വരയ്ക്കുന്നതുമായി ബന്ധപ്പെട്ട് ശരിയായ പ്രസ്താവനകൾ ഏതെല്ലാം:

- A. അതിന്റെ വലിപ്പം മുൻകൂട്ടി നിശ്ചയിച്ചിരിക്കുന്നു.
- B. അതിന്റെ ഐസോമെട്രിക് പ്രൊജക്ഷൻ ഒരു വൃത്തമായി കാണപ്പെടും
- C. അതിന്റെ ഐസോമെട്രിക് പ്രൊജക്ഷൻ വരയ്ക്കുന്നത് തിരശ്ചീനതയ്ക്ക്  $60^\circ$  കോൺ എടുത്തു കൊണ്ടാണ്
- D. അതിന്റെ വ്യാസം വരയ്ക്കുന്നത് ട്രൂ സ്കെയിൽ ഉപയോഗിച്ചാണ്
- E. അതിന്റെ ഐസോമെട്രിക് പ്രൊജക്ഷൻ അർദ്ധ ഗോളമായി കാണപ്പെടുന്നു.

താഴെ തന്നിരിക്കുന്ന ഓപ്ഷനുകളിൽ നിന്നും ശരിയുത്തരം തിരഞ്ഞെടുക്കുക:

- 1. B, D മാത്രം
- 2. B, C മാത്രം
- 3. A, D മാത്രം
- 4. A, E മാത്രം

**Options :**

- 485584138541. 1

485584138542. 2  
485584138543. 3  
485584138544. 4

**Question Number : 132 Question Id : 48558434637 Question Type : MCQ Option Shuffling : No Is Question Mandatory : No Calculator : None Response Time : N.A Think Time : N.A Minimum Instruction Time : 0**

**Correct Marks : 5 Wrong Marks : 1**

**Question Key Details :**

Key	Value
Comprehension	MCQ

Identify the **correct** statements for the Screw threads:

- A. A square thread of nominal diameter = 30 mm and Pitch = 6 mm is designated as K 30 × 6.
- B. Knuckle threads are used on necks of glass bottles.
- C. Square threads offers less frictional resistance.
- D. The angle between flanks of metric thread is 55°.
- E. The flanks of B.S.W. thread are equally rounded at both crest and root.

Choose the **correct** answer from the options given below:

- 1. A, B and C only
- 2. B, C and D only
- 3. C, D and E only
- 4. B, C and E only

**Options :**

485584138545. 1  
485584138546. 2  
485584138547. 3  
485584138548. 4

**Question Number : 132 Question Id : 48558434637 Question Type : MCQ Option Shuffling : No Is Question Mandatory : No Calculator : None Response Time : N.A Think Time : N.A Minimum Instruction Time : 0**

**Correct Marks : 5 Wrong Marks : 1**

**Question Key Details :**

Key	Value
Comprehension	MCQ



സ്ക്രൂ ത്രെഡുമായി ബന്ധപ്പെട്ട പ്രസ്താവനകളിൽ ശരിയായവ ഏതെല്ലാം.

- A. സാധാരണ വ്യാസം = 30 mm, പിച്ച് = 6 mm ആയ ഒരു സ്ക്രൂയർ ത്രെഡ് K 30 x 6 എന്ന് പേര് നൽകിയിരിക്കുന്നു
- B. നക്കിൾ ത്രെഡ് ഗ്ലാസ് ബോട്ടിലിന്റെ നെക്കിൽ ഉപയോഗിക്കുന്നു
- C. V-ത്രേഡിനെ അപേക്ഷിച്ച് സ്ക്രൂയർ ത്രെഡ് കുറഞ്ഞ ഘർഷണ പ്രതിരോധമാണ് നൽകുന്നത്
- D. മെട്രിക് ത്രെഡിലെ ഫ്ലാങ്ക് തമ്മിലുള്ള കോൺ അളവ് 55°
- E. BSW ത്രെഡിലെ ഫ്ലാങ്കുകൾ ക്രസ്സിലും റൂട്ടിലും സമമായി വൃത്താകൃതിയിലാണ്.

താഴെ തന്നിരിക്കുന്ന ഓപ്ഷനുകളിൽ നിന്നും ശരിയുത്തരം തിരഞ്ഞെടുക്കുക:

- 1. A, B, C മാത്രം
- 2. B, C, D മാത്രം
- 3. C, D, E മാത്രം
- 4. B, C, E മാത്രം

**Options :**

- 485584138545. 1
- 485584138546. 2
- 485584138547. 3
- 485584138548. 4

**Question Number : 133 Question Id : 48558434638 Question Type : MCQ Option Shuffling : No Is Question Mandatory : No Calculator : None Response Time : N.A Think Time : N.A Minimum Instruction Time : 0**

**Correct Marks : 5 Wrong Marks : 1**

**Question Key Details :**

Key	Value
Comprehension	MCQ

Identify the **correct** statements for Stud:

- A. Stud is a permanent fastener.
- B. A stud is a cylindrical rod, having threads on both ends.
- C. It has internal thread.
- D. It is always used with cotter.
- E. It is used where there is no place for the bolt head.

Choose the **correct** answer from the options given below:

- 1. A and E only
- 2. B and E only
- 3. D and E only
- 4. B and D only

**Options :**

- 485584138549. 1

485584138550. 2  
485584138551. 3  
485584138552. 4

**Question Number : 133 Question Id : 48558434638 Question Type : MCQ Option Shuffling : No Is Question Mandatory : No Calculator : None Response Time : N.A Think Time : N.A Minimum Instruction Time : 0**

**Correct Marks : 5 Wrong Marks : 1**

**Question Key Details :**

Key	Value
Comprehension	MCQ

സ്റ്റഡിയുമായി ബന്ധപ്പെട്ട് താഴെ പറയുന്നവയിൽ ശരിയായവ ഏതെല്ലാം.

- A. സ്റ്റഡി സ്ഥിരമായി ബന്ധിക്കാൻ ഉപയോഗിക്കുന്നു
- B. സ്റ്റഡി രണ്ട് അഗ്രഭാഗത്തും ത്രേഡുകൾ ഉള്ള സിലിണ്ടറിക്ക്കൽ റോഡ് ആണ്
- C. ഇതിന് ഇന്റേണൽ ത്രേഡ് ഉണ്ട്
- D. ഇത് എല്ലായ്പ്പോഴും കോട്ടറിന് ഒപ്പം ഉപയോഗിക്കുന്നു
- E. ബോൾട്ട് ഹെഡിന് സ്ഥലമില്ലാത്തതിടത്ത് ഇത് ഉപയോഗിക്കുന്നു

താഴെ തന്നിരിക്കുന്ന ഓപ്ഷനുകളിൽ നിന്നും ശരിയുത്തരം തിരഞ്ഞെടുക്കുക:

- 1. A,E മാത്രം
- 2. B, E മാത്രം
- 3. D, E മാത്രം
- 4. B, D മാത്രം

**Options :**

485584138549. 1  
485584138550. 2  
485584138551. 3  
485584138552. 4

**Question Number : 134 Question Id : 48558434639 Question Type : MCQ Option Shuffling : No Is Question Mandatory : No Calculator : None Response Time : N.A Think Time : N.A Minimum Instruction Time : 0**

**Correct Marks : 5 Wrong Marks : 1**

**Question Key Details :**

Key	Value
Comprehension	MCQ

Identify the **correct** statements for a Gib and Cotter joint:

- A. The Gib has the same thickness as that of the Cotter.
- B. Two cotters are used in this joint.
- C. Cotter is made of plastic.
- D. Cotter is used in conjunction with Gib.
- E. Rods are of circular shape in this joint.

Choose the **correct** answer from the options given below:

- 1. A and B only
- 2. A and C only
- 3. A and D only
- 4. D and E only

**Options :**

- 485584138553. 1
- 485584138554. 2
- 485584138555. 3
- 485584138556. 4

**Question Number : 134 Question Id : 48558434639 Question Type : MCQ Option Shuffling : No Is Question Mandatory : No Calculator : None Response Time : N.A Think Time : N.A Minimum Instruction Time : 0**

**Correct Marks : 5 Wrong Marks : 1**

**Question Key Details :**

Key	Value
Comprehension	MCQ

ജിബ് ആന്റ് കോട്ടർ ജോയിന്റുമായി ബന്ധപ്പെട്ട് ശരിയായവ ഏതെല്ലാം:

- A. ജിബിന് കോട്ടറിന്റെ അത്ര തന്നെ തടിയുണ്ട്
- B. രണ്ട് കോട്ടർ ഉപയോഗിക്കുന്നു
- C. കോട്ടർ പ്ലാസ്റ്റിക് കൊണ്ട് നിർമ്മിക്കുന്നു
- D. കോട്ടർ ജിബുമായി യോജിപ്പിക്കാൻ ഉപയോഗിക്കുന്നു
- E. റോഡുകൾ വൃത്തരൂപത്തിലാണ്

താഴെ തന്നിരിക്കുന്ന ഓപ്ഷനുകളിൽ നിന്നും ശരിയുത്തരം തിരഞ്ഞെടുക്കുക:

- 1. A, B മാത്രം
- 2. A, C മാത്രം
- 3. A, D മാത്രം
- 4. D, E മാത്രം

**Options :**

- 485584138553. 1
- 485584138554. 2
- 485584138555. 3

**Question Number : 135 Question Id : 48558434640 Question Type : MCQ Option Shuffling : No Is Question Mandatory : No Calculator : None Response Time : N.A Think Time : N.A Minimum Instruction Time : 0**

**Correct Marks : 5 Wrong Marks : 1**

**Question Key Details :**

Key	Value
Comprehension	MCQ

Match List I with List II

LIST I		LIST II	
A.	Isometric projection	I.	Angle between two principal planes is $90^\circ$ .
B.	Dimetric projection	II.	All the angles between principal axes are unequal and not less than $90^\circ$ .
C.	Trimetric projection	III.	All the angles between principal axes are equal.
D.	Orthographic projection	IV.	Only two angles between three principal axes are equal.

Choose the **correct** answer from the options given below:

1. A-III, B-IV, C-II, D-I
2. A-I, B-II, C-III, D-IV
3. A-II, B-III, C-IV, D-I
4. A-IV, B-II, C-III, D-I

**Options :**

485584138557. 1

485584138558. 2

485584138559. 3

485584138560. 4

**Question Number : 135 Question Id : 48558434640 Question Type : MCQ Option Shuffling : No Is Question Mandatory : No Calculator : None Response Time : N.A Think Time : N.A Minimum Instruction Time : 0**

**Correct Marks : 5 Wrong Marks : 1**

**Question Key Details :**

Key	Value
Comprehension	MCQ

പട്ടിക I, പട്ടിക II എന്നിവ ചേരും പടി ചേർക്കുക

പട്ടിക I		പട്ടിക II	
A.	ഐസോമെട്രിക് പ്രൊജക്ഷൻ	I.	രണ്ട് പ്രധാന ഐസിയനുകൾക്കിടയിലെ കോൺ $90^\circ$ ആണ്
B.	ഡയമെട്രിക് പ്രൊജക്ഷൻ	II.	മൂന്ന് കോണുകളും അസമവും $90^\circ$ ക്ക് താഴെയുമല്ല
C.	ട്രൈമെട്രിക് പ്രൊജക്ഷൻ	III.	പ്രധാന ആക്സിസിന്റെ ഇടയിലുള്ള കോണുകൾ തുല്യമാണ്
D.	ഓർത്തോഗ്രാഫിക് പ്രൊജക്ഷൻ	IV.	മൂന്ന് പ്രധാന ആക്സിസിന് ഇടയിലെ രണ്ട് കോണുകൾ മാത്രം തുല്യം

താഴെ തന്നിരിക്കുന്ന ഓപ്ഷനുകളിൽ നിന്നും ശരിയുത്തരം തിരഞ്ഞെടുക്കുക:

1. A-III, B-IV, C-II, D-I
2. A-I, B-II, C-III, D-IV
3. A-II, B-III, C-IV, D-I
4. A-IV, B-II, C-III, D-I

**Options :**

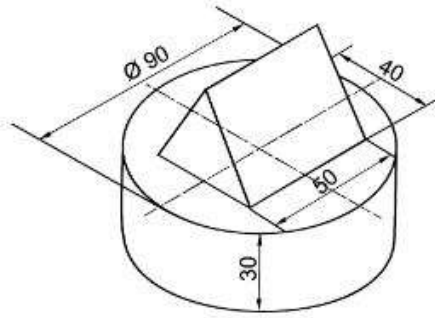
- 485584138557. 1
- 485584138558. 2
- 485584138559. 3
- 485584138560. 4

**Question Number : 136 Question Id : 48558434641 Question Type : MCQ Option Shuffling : No Is Question Mandatory : No Calculator : None Response Time : N.A Think Time : N.A Minimum Instruction Time : 0**

**Correct Marks : 5 Wrong Marks : 1**

**Question Key Details :**

Key	Value
Comprehension	MCQ



Match List I with List II on the basis of the given figure.

LIST I		LIST II	
A.	Bottom Solid.	I.	Vertical
B.	Top solid.	II.	Horizontal
C.	Axis of top solid.	III.	Equilateral Triangular Prism
D.	Axis of bottom solid.	IV.	Circular slab

Choose the **correct** answer from the options given below:

1. A-III, B-II, C-I, D-IV
2. A-III, B-II, C-IV, D-I
3. A-I, B-II, C-III, D-IV
4. A-IV, B-III, C-II, D-I

**Options :**

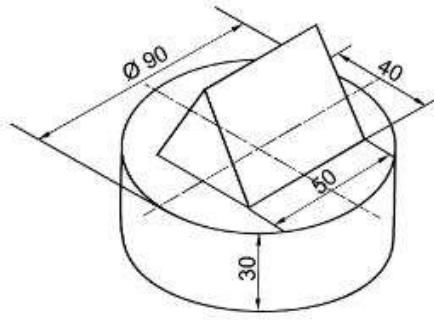
485584138561. 1  
 485584138562. 2  
 485584138563. 3  
 485584138564. 4

**Question Number : 136 Question Id : 48558434641 Question Type : MCQ Option Shuffling : No Is Question Mandatory : No Calculator : None Response Time : N.A Think Time : N.A Minimum Instruction Time : 0**

**Correct Marks : 5 Wrong Marks : 1**

**Question Key Details :**

Key	Value
Comprehension	MCQ



പട്ടിക I, പട്ടിക II എന്നിവ ചിത്രത്തിന്റെ അടിസ്ഥാനത്തിൽ ചേരുംപടി ചേർക്കുക.

പട്ടിക I ഐസോമെട്രിക് പ്രൊജക്ഷൻ		പട്ടിക II	
A.	താഴത്തെ ഘനരൂപം	I.	ലംബം
B.	മുകളിലത്തെ ഘനരൂപം	II.	തിരശ്ചീനം
C.	സമഭുജ ത്രികോണ പരിസത്തിന്റെ ആക്സിസ്	III.	സമഭുജ ത്രികോണ പ്രയാസം
D.	വൃത്ത സ്തംഭിന്റെ ആക്സിസ്	IV.	വൃത്ത സ്തംഭ്

താഴെ തന്നിരിക്കുന്ന ഓപ്ഷനുകളിൽ നിന്നും ശരിയുത്തരം തിരഞ്ഞെടുക്കുക:

1. A-III, B-II, C-I, D-IV
2. A-II, B-II, C-IV, D-I
3. A-I, B-II, C-III, D-IV
4. A-IV, B-III, C-II, D-I

**Options :**

- 485584138561. 1
- 485584138562. 2
- 485584138563. 3
- 485584138564. 4

**Question Number : 137 Question Id : 48558434642 Question Type : MCQ Option Shuffling : No Is Question Mandatory : No Calculator : None Response Time : N.A Think Time : N.A Minimum Instruction Time : 0**

**Correct Marks : 5 Wrong Marks : 1**

**Question Key Details :**

Key	Value
Comprehension	MCQ

Match List I with List II

LIST I Hexagonal headed bolt		LIST II (‘d’ is the nominal diameter)	
A.	Thickness of Head	I.	d
B.	Threaded length of shank	II.	0.8d
C.	Radius of arc showing conventional end of the shank in its front view	III.	2d +6
D.	Width across the flats of head	IV.	1.5d+3

Choose the **correct** answer from the options given below:

1. A-II, B-III, C-I, D-IV
2. A-I, B-II, C-III, D-IV
3. A-III, B-IV, C-II, D-I
4. A-IV, B-I, C-II, D-III

**Options :**

- 485584138565. 1
- 485584138566. 2
- 485584138567. 3
- 485584138568. 4

**Question Number : 137 Question Id : 48558434642 Question Type : MCQ Option Shuffling : No Is Question Mandatory : No Calculator : None Response Time : N.A Think Time : N.A Minimum Instruction Time : 0**

**Correct Marks : 5 Wrong Marks : 1**

**Question Key Details :**

Key	Value
Comprehension	MCQ



പട്ടിക I, പട്ടിക II എന്നിവ ചേരും പടി ചേർക്കുക

പട്ടിക I ഷഡ്ഭുജ ഹെഡ് ഉള്ള ബോൾട്ടിന്റെ ഡയമീറ്റർ 'd'		പട്ടിക II	
A.	ഹെഡിന്റെ വണ്ണം	I.	d
B.	ഷാക്കിന്റെ ത്രേഡ് ചെയ്ത ഭാഗം	II.	0.8d
C.	കൺവെൻഷണൽ എൻഡിലെ ആർക്കിന്റെ ആരം	III.	2d +6
D.	ഹെഡിന്റെ രണ്ട് സമാന്തര മുഖങ്ങൾക്കിടയിലുള്ള പ്ലാറ്റിന്റെ സൈസ്	IV.	1.5d+3

താഴെ തന്നിരിക്കുന്ന ഓപ്ഷനുകളിൽ നിന്നും ശരിയുത്തരം തിരഞ്ഞെടുക്കുക:

1. A-II, B-III, C-I, D-IV
2. A-I, B-II, C-III, D-IV
3. A-III, B-IV, C-II, D-I
4. A-IV, B-I, C-II, D-III

**Options :**

- 485584138565. 1
- 485584138566. 2
- 485584138567. 3
- 485584138568. 4

**Question Number : 138 Question Id : 48558434643 Question Type : MCQ Option Shuffling : No Is Question Mandatory : No Calculator : None Response Time : N.A Think Time : N.A Minimum Instruction Time : 0**

**Correct Marks : 5 Wrong Marks : 1**

**Question Key Details :**

Key	Value
Comprehension	MCQ

Match List I with List II

LIST I		LIST II	
A.	B.S.W. Thread	I.	Semicircles on opposite side
B.	Metric External Thread	II.	Both crest and root are flat
C.	Square Thread	III.	Rounded equally at root and crest
D.	Knuckle Thread	IV.	Crest flat and root rounded

Choose the **correct** answer from the options given below:

1. A-I, B-II, C-III, D-IV
2. A-IV, B-III, C-I, D-II
3. A-III, B-IV, C-II, D-I
4. A-II, B-III, C-I, D-IV

**Options :**

- 485584138569. 1
- 485584138570. 2
- 485584138571. 3
- 485584138572. 4

**Question Number : 138 Question Id : 48558434643 Question Type : MCQ Option Shuffling : No Is Question Mandatory : No Calculator : None Response Time : N.A Think Time : N.A Minimum Instruction Time : 0**

**Correct Marks : 5 Wrong Marks : 1**

**Question Key Details :**

<b>Key</b>	<b>Value</b>
Comprehension	MCQ

പട്ടിക I, പട്ടിക II എന്നിവ ചേരും പടി ചേർക്കുക

പട്ടിക I		പട്ടിക II	
A.	B.S.W ത്രയം	I.	വിരുദ്ധ വശങ്ങളിൽ അർധ വൃത്തം
B.	മെട്രിക് ബാഹ്യ ത്രയം	II.	ക്രസ്സും റൂട്ടും ഫ്ലാറ്റ് ആണ്
C.	സ്ക്വയർ ത്രയം	III.	റൂട്ടും ക്രസ്സും സമമായി റൗണ്ട് ചെയ്തിരിക്കുന്നു
D.	നക്ഷിശ് ത്രയം	IV.	ക്രസ്സ് ഫ്ലാറ്റും റൂട്ട് റൗണ്ടും ആണ്

താഴെ തന്നിരിക്കുന്ന ഓപ്ഷനുകളിൽ നിന്നും ശരിയുത്തരം തിരഞ്ഞെടുക്കുക:

1. A-I, B-II, C-III, D-IV
2. A-IV, B-III, C-I, D-II
3. A-III, B-IV, C-II, D-I
4. A-II, B-III, C-I, D-IV

**Options :**

- 485584138569. 1
- 485584138570. 2
- 485584138571. 3
- 485584138572. 4

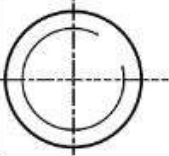

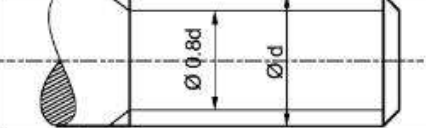
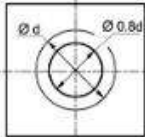
**Question Number : 139 Question Id : 48558434644 Question Type : MCQ Option Shuffling : No Is Question Mandatory : No Calculator : None Response Time : N.A Think Time : N.A Minimum Instruction Time : 0**

**Correct Marks : 5 Wrong Marks : 1**

**Question Key Details :**

<b>Key</b>	<b>Value</b>
Comprehension	MCQ

Match List I with List II

LIST I (Conventional representation of V- thread)		LIST II (Orthographic View)	
A.	External V-thread in the front view	I.	
B.	Internal V-thread in the side view	II.	
C.	External V-thread in the side view	III.	
D.	Internal V-thread in the front view	IV.	

Choose the **correct** answer from the options given below:

1. A-I, B-III, C-II, D-IV
2. A-III, B-IV, C-I, D-II
3. A-II, B-I, C-IV, D-III
4. A-IV, B-II, C-III, D-I

**Options :**

485584138573. 1  
 485584138574. 2  
 485584138575. 3  
 485584138576. 4

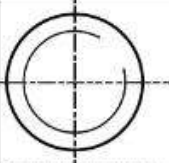

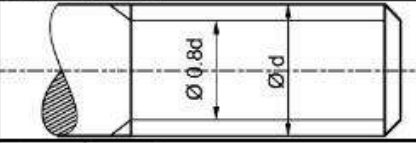
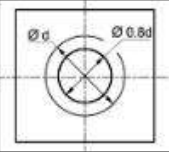
**Question Number : 139 Question Id : 48558434644 Question Type : MCQ Option Shuffling : No Is Question Mandatory : No Calculator : None Response Time : N.A Think Time : N.A Minimum Instruction Time : 0**

**Correct Marks : 5 Wrong Marks : 1**

**Question Key Details :**

Key	Value
Comprehension	MCQ

പട്ടിക I, പട്ടിക II എന്നിവ ചേരും പടി ചേർക്കുക

പട്ടിക I V-ത്രേഡിന്റെ സാധാരണ മാതൃക		പട്ടിക II (ചിത്രം)	
A.	V-ത്രേഡിന്റെ ബാഹ്യരൂപത്തിൽ സാധാരണ മാതൃകയിൽ ഫണ്ട് വ്യൂ	I.	
B.	V-ത്രേഡിന്റെ ഇന്റേണൽ സൈഡ് വ്യൂ	II.	
C.	V-ത്രേഡിന്റെ എക്സ്റ്റേണൽ സൈഡ് വ്യൂ	III.	
D.	V-ത്രേഡിന്റെ ഇന്റേണൽ ഫണ്ട് വ്യൂ	IV.	

താഴെ തന്നിരിക്കുന്ന ഓപ്ഷനുകളിൽ നിന്നും ശരിയുത്തരം തിരഞ്ഞെടുക്കുക :

1. A-I, B-III, C-II, D-IV
2. A-III, B-IV, C-I, D-II
3. A-II, B-I, C-IV, D-III
4. A-IV, B-II, C-III, D-I

**Options :**

- 485584138573. 1
- 485584138574. 2
- 485584138575. 3
- 485584138576. 4

**Question Number : 140 Question Id : 48558434645 Question Type : MCQ Option Shuffling : No Is Question Mandatory : No Calculator : None Response Time : N.A Think Time : N.A Minimum Instruction Time : 0**

**Correct Marks : 5 Wrong Marks : 1**

**Question Key Details :**

Key	Value
Comprehension	MCQ

Match List I with List II

LIST I		LIST II	
A.	Turnbuckle Joint	I.	Journal Bearing
B.	Flange Joint	II.	Square Rod Joint
C.	Bush Bearing	III.	Pipe Joint
D.	Gib and Cotter Joint	IV.	Tie-rod Joint

Choose the **correct** answer from the options given below:

1. A-IV, B-III, C-I, D-II
2. A-I, B-II, C-III, D-IV
3. A-II, B-III, C-IV, D-I
4. A-III, B-II, C-IV, D-I

**Options :**

485584138577. 1  
 485584138578. 2  
 485584138579. 3  
 485584138580. 4

**Question Number : 140 Question Id : 48558434645 Question Type : MCQ Option Shuffling : No Is Question Mandatory : No Calculator : None Response Time : N.A Think Time : N.A Minimum Instruction Time : 0**

**Correct Marks : 5 Wrong Marks : 1**

**Question Key Details :**

Key	Value
Comprehension	MCQ

പട്ടിക I, പട്ടിക II എന്നിവ ചേരും പടി ചേർക്കുക

പട്ടിക I		പട്ടിക II	
A.	ടേൺബുക്കിൾ ജോയിന്റ്	I.	ജേണൽ ബെയറിംഗ്
B.	ഫ്ലേഞ്ച് ജോയിന്റ്	II.	സ്ക്വയർ റോഡ് ജോയിന്റ്
C.	ബുഷ് ബെയറിംഗ്	III.	പൈപ്പ് ജോയിന്റ്
D.	ജിബ് ആന്റ് കോട്ടർ ജോയിന്റ്	IV.	ടൈ-റോഡ് ജോയിന്റ്

താഴെ തന്നിരിക്കുന്ന ഓപ്ഷനുകളിൽ നിന്നും ശരിയുത്തരം തിരഞ്ഞെടുക്കുക:

1. A-IV, B-III, C-I, D-II
2. A-I, B-II, C-III, D-IV
3. A-II, B-III, C-IV, D-I
4. A-III, B-II, C-IV, D-I

**Options :**

485584138577. 1  
 485584138578. 2

485584138579. 3

485584138580. 4

Sub-Section Number :

2

Sub-Section Id :

4855842534

Question Shuffling Allowed :

No

Is Section Default? :

null

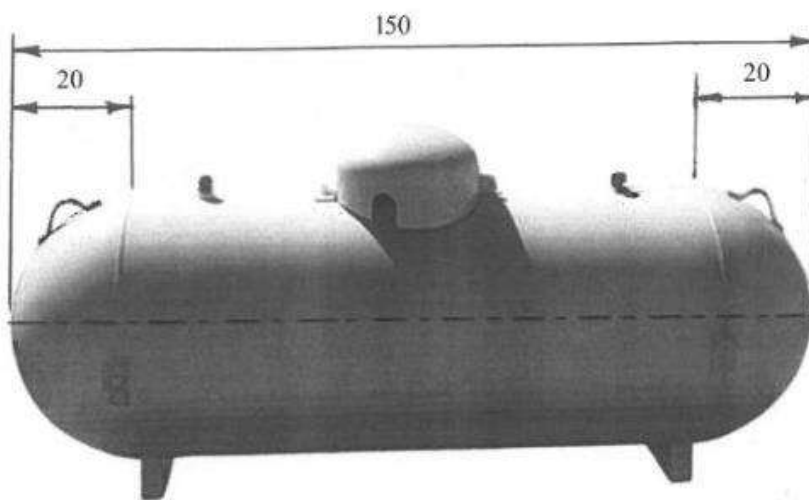
Question Number : 141 Question Id : 48558434646 Question Type : MCQ Option Shuffling : No Is Question Mandatory : No Calculator : None Response Time : N.A Think Time : N.A Minimum Instruction Time : 0

Correct Marks : 5 Wrong Marks : 1

Question Key Details :

Key	Value
Comprehension	Comp1

Read the passage and answer the following question.



Rohan during his industrial visit saw a storage tank which is a combination of different solids he had studied in his class. For preparing his industrial visit report, he clicked pictures and measured dimensions of the tank and other machine parts in the industry. One such picture from his report is shown here (dimensions given are in meters). Ignore the thickness, stands, opening and other branches of the tank and answer the following questions.

The storage tank is the combination of \_\_\_\_\_.

1. two spheres and one cylinder
2. two hemispheres and one cylinder
3. one hemisphere and one cylinder
4. two cones and one cylinder

Options :

485584138581. 1

485584138582. 2

485584138583. 3

485584138584. 4

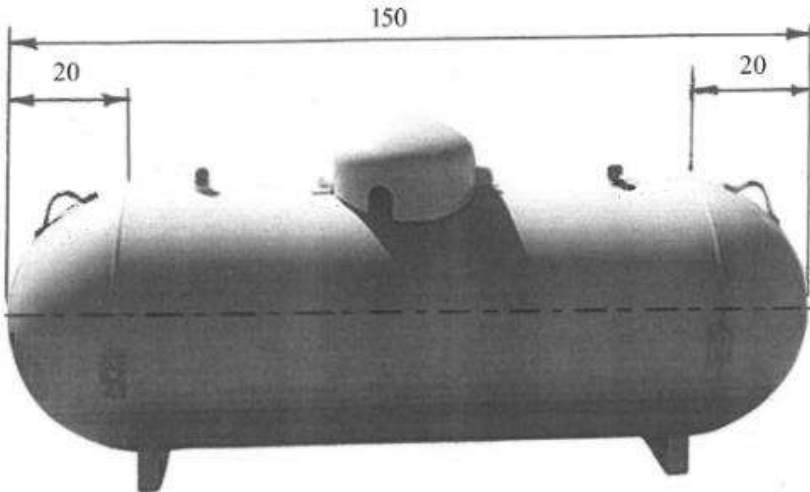
Question Number : 141 Question Id : 48558434646 Question Type : MCQ Option Shuffling : No Is Question Mandatory : No Calculator : None Response Time : N.A Think Time : N.A Minimum Instruction Time : 0

Correct Marks : 5 Wrong Marks : 1

Question Key Details :

Key	Value
Comprehension	Compl

ഖണ്ഡിക വായിച്ച് ചോദ്യങ്ങൾക്ക് ഉത്തരം എഴുതുക



രോഹൻ തന്റെ വ്യാവസായിക സന്ദർശനത്തിനിടെ അവൻ ക്ലാസിൽ പഠിച്ചതു പോലുള്ള ഘനരൂപങ്ങളുടെ സംയുക്ത രൂപമാർന്ന ഒരു സ്റ്റോറേജ് ടാങ്ക് കണ്ടു. വ്യാവസായിക സന്ദർശന റിപ്പോർട്ട് ഉണ്ടാക്കാൻ സംഭരണിയുടെയും മറ്റ് മെഷീൻ പാർട്ടുകളുടെയും ചിത്രങ്ങളിൽ ക്ലിക്ക് ചെയ്ത് അതിന്റെ അളവുകൾ കണക്കാക്കി. അത്തരത്തിൽ അവന്റെ റിപ്പോർട്ടിൽ ഉണ്ടായിരുന്ന ഒരു ചിത്രമാണ് മുകളിൽ കാണുന്നത് (അളവുകൾ മീറ്ററിലാണ്). ടാങ്കിന്റെ തിക്സും സ്റ്റാൻഡും ബ്രാഞ്ചുകളും അവഗണിക്കുക. ചോദ്യത്തിന് ഉത്തരം നൽകുക.

സ്റ്റോറേജ് ടാങ്ക് \_\_\_\_\_ രൂപങ്ങളുടെ കോമ്പിനേഷൻ ആണ്.

1. രണ്ട് ഗോളങ്ങളും ഒരു സിലിണ്ടറും
2. രണ്ട് അർദ്ധ ഗോളങ്ങളും ഒരു സിലിണ്ടറും
3. ഒരു അർദ്ധ ഗോളവും ഒരു സിലിണ്ടറും
4. രണ്ട് കോൺരൂപങ്ങളും ഒരു സിലിണ്ടറും

Options :

- 485584138581. 1
- 485584138582. 2
- 485584138583. 3
- 485584138584. 4

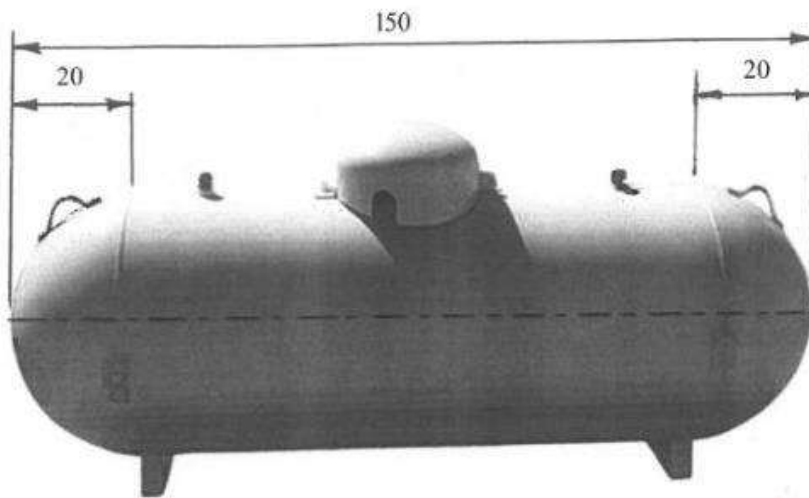
Question Number : 142 Question Id : 48558434647 Question Type : MCQ Option Shuffling : No Is Question Mandatory : No Calculator : None Response Time : N.A Think Time : N.A Minimum Instruction Time : 0

Correct Marks : 5 Wrong Marks : 1

Question Key Details :

Key	Value
-----	-------

Read the passage and answer the following question.



Rohan during his industrial visit saw a storage tank which is a combination of different solids he had studied in his class. For preparing his industrial visit report, he clicked pictures and measured dimensions of the tank and other machine parts in the industry. One such picture from his report is shown here (dimensions given are in meters). Ignore the thickness, stands, opening and other branches of the tank and answer the following questions.

The axial length of the cylindrical central portion in its isometric projection will be reduced to \_\_\_\_\_ (approximately).

1. 88 meter
2. 110 meter
3. 55 meter
4. 44 meter

**Options :**

485584138585. 1  
 485584138586. 2  
 485584138587. 3  
 485584138588. 4

**Question Number : 142 Question Id : 48558434647 Question Type : MCQ Option Shuffling : No Is Question Mandatory : No Calculator : None Response Time : N.A Think Time : N.A Minimum Instruction Time : 0**

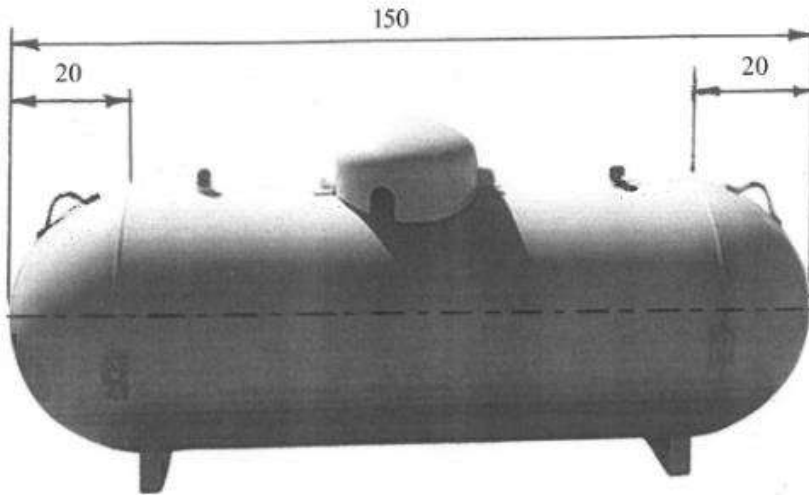
**Correct Marks : 5 Wrong Marks : 1**

**Question Key Details :**

Key	Value
Comprehension	Comp1



ഖണ്ഡിക വായിച്ച് ചോദ്യങ്ങൾക്ക് ഉത്തരം എഴുതുക



രോഹൻ തന്റെ വ്യവസായിക സന്ദർശനത്തിനിടെ അവൻ ക്ലാസിൽ പഠിച്ചതു പോലുള്ള ഘനരൂപങ്ങളുടെ സംയുക്ത രൂപമാർന്ന ഒരു സ്റ്റോറേജ് ടാങ്ക് കണ്ടു. വ്യവസായിക സന്ദർശന റിപ്പോർട്ട് ഉണ്ടാക്കാൻ സംഭരണിയുടെയും മറ്റ് മെഷീൻ പാർട്ടുകളുടെയും ചിത്രങ്ങളിൽ ക്ലിക്ക് ചെയ്ത് അതിന്റെ അളവുകൾ കണക്കാക്കി. അത്തരത്തിൽ അവന്റെ റിപ്പോർട്ടിൽ ഉണ്ടായിരുന്ന ഒരു ചിത്രമാണ് മുകളിൽ കാണുന്നത് (അളവുകൾ മീറ്ററിലാണ്). ടാങ്കിന്റെ തീക്ഷ്ണവും സ്റ്റാൻഡിംഗും ബ്രാഞ്ചുകളും അവഗണിക്കുക. ചോദ്യത്തിന് ഉത്തരം നൽകുക.

സിലിണ്ടറിക്കൽ സെൻട്രൽ ഭാഗത്തിന്റെ ആക്വിയൽ നീളം ഐസോമെട്രിക് പ്രൊജക്ഷനിൽ ഏകദേശം \_\_\_\_\_ ആയി ചുരുക്കം.

- 1. 88 മീറ്റർ
- 2. 110 മീറ്റർ
- 3. 55 മീറ്റർ
- 4. 44 മീറ്റർ

**Options :**

- 485584138585. 1
- 485584138586. 2
- 485584138587. 3
- 485584138588. 4

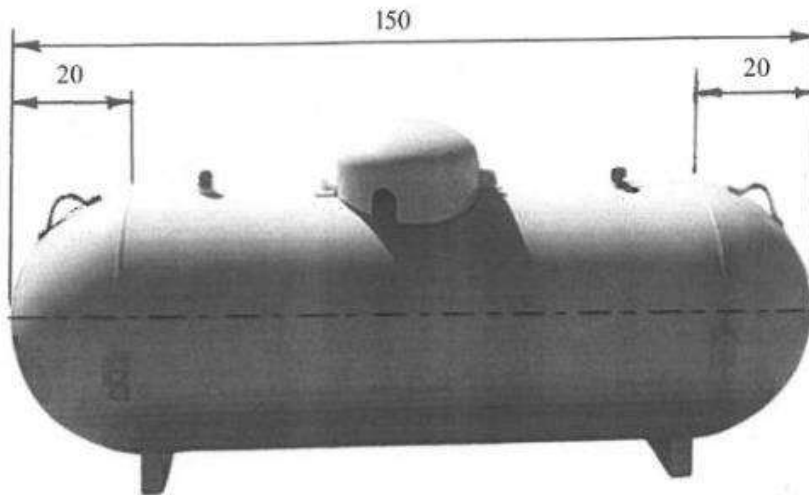
**Question Number : 143 Question Id : 48558434648 Question Type : MCQ Option Shuffling : No Is Question Mandatory : No Calculator : None Response Time : N.A Think Time : N.A Minimum Instruction Time : 0**

**Correct Marks : 5 Wrong Marks : 1**

**Question Key Details :**

Key	Value
Comprehension	Comp1

Read the passage and answer the following question.



Rohan during his industrial visit saw a storage tank which is a combination of different solids he had studied in his class. For preparing his industrial visit report, he clicked pictures and measured dimensions of the tank and other machine parts in the industry. One such picture from his report is shown here (dimensions given are in meters). Ignore the thickness, stands, opening and other branches of the tank and answer the following questions.

In the side view of the tank, the diameter of the circle is \_\_\_\_\_.

1. 20 meter
2. 75 meter
3. 40 meter
4. 55 meter

**Options :**

- 485584138589. 1
- 485584138590. 2
- 485584138591. 3
- 485584138592. 4

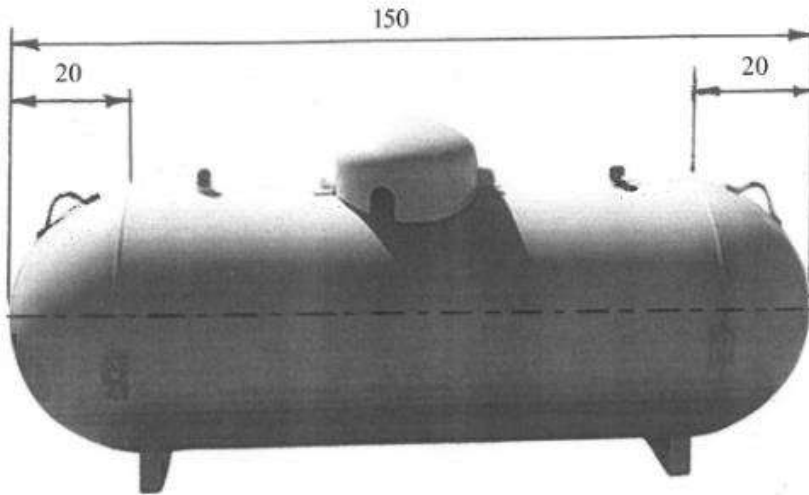
**Question Number : 143 Question Id : 48558434648 Question Type : MCQ Option Shuffling : No Is Question Mandatory : No Calculator : None Response Time : N.A Think Time : N.A Minimum Instruction Time : 0**

**Correct Marks : 5 Wrong Marks : 1**

**Question Key Details :**

Key	Value
Comprehension	Comp1

ഖണ്ഡിക വായിച്ച് ചോദ്യങ്ങൾക്ക് ഉത്തരം എഴുതുക



രോഹൻ തന്റെ വ്യാവസായിക സന്ദർശനത്തിനിടെ അവൻ ക്ലാസിൽ പഠിച്ചതു പോലുള്ള ഘനരൂപങ്ങളുടെ സംയുക്ത രൂപമാർന്ന ഒരു സ്റ്റോറേജ് ടാങ്ക് കണ്ടു. വ്യാവസായിക സന്ദർശന റിപ്പോർട്ട് ഉണ്ടാക്കാൻ സംഭരണിയുടെയും മറ്റ് മെഷീൻ പാർട്ടുകളുടെയും ചിത്രങ്ങളിൽ ക്ലിക്ക് ചെയ്ത് അതിന്റെ അളവുകൾ കണക്കാക്കി. അത്തരത്തിൽ അവന്റെ റിപ്പോർട്ടിൽ ഉണ്ടായിരുന്ന ഒരു ചിത്രമാണ് മുകളിൽ കാണുന്നത് (അളവുകൾ മീറ്ററിലാണ്). ടാങ്കിന്റെ തീക്ഷ്ണവും സ്റ്റാൻഡിംഗും ബ്രാഞ്ചുകളും അവഗണിക്കുക. ചോദ്യത്തിന് ഉത്തരം നൽകുക.

വശങ്ങളിലൂടെ നോക്കുമ്പോൾ വൃത്തത്തിന്റെ വ്യാസം

1. 20 മീറ്റർ
2. 75 മീറ്റർ
3. 40 മീറ്റർ
4. 55 മീറ്റർ

**Options :**

- 485584138589. 1
- 485584138590. 2
- 485584138591. 3
- 485584138592. 4

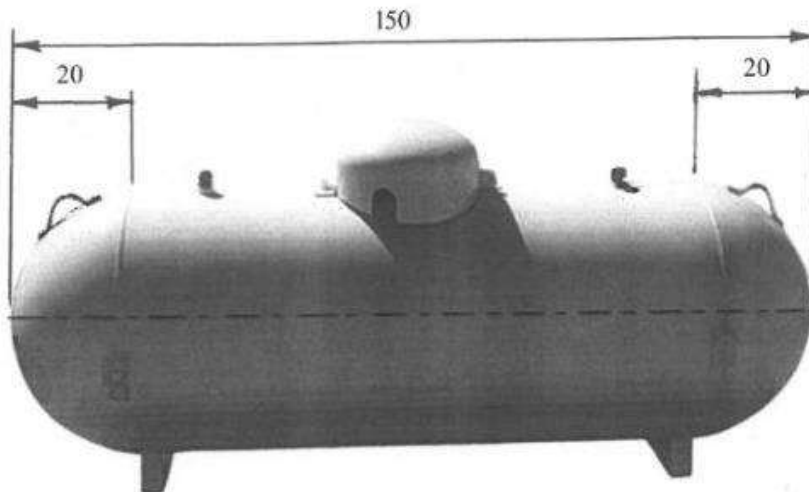
**Question Number : 144 Question Id : 48558434649 Question Type : MCQ Option Shuffling : No Is Question Mandatory : No Calculator : None Response Time : N.A Think Time : N.A Minimum Instruction Time : 0**

**Correct Marks : 5 Wrong Marks : 1**

**Question Key Details :**

Key	Value
Comprehension	Comp1

Read the passage and answer the following question.



Rohan during his industrial visit saw a storage tank which is a combination of different solids he had studied in his class. For preparing his industrial visit report, he clicked pictures and measured dimensions of the tank and other machine parts in the industry. One such picture from his report is shown here (dimensions given are in meters). Ignore the thickness, stands, opening and other branches of the tank and answer the following questions.

According to the shown picture, choose a statement regarding the axis of the tank, which is **not possible** at all.

1. it is parallel to V.P.
2. it is parallel to H.P.
3. it is perpendicular to V.P.
4. it is perpendicular to H.P.

**Options :**

- 485584138593. 1
- 485584138594. 2
- 485584138595. 3
- 485584138596. 4

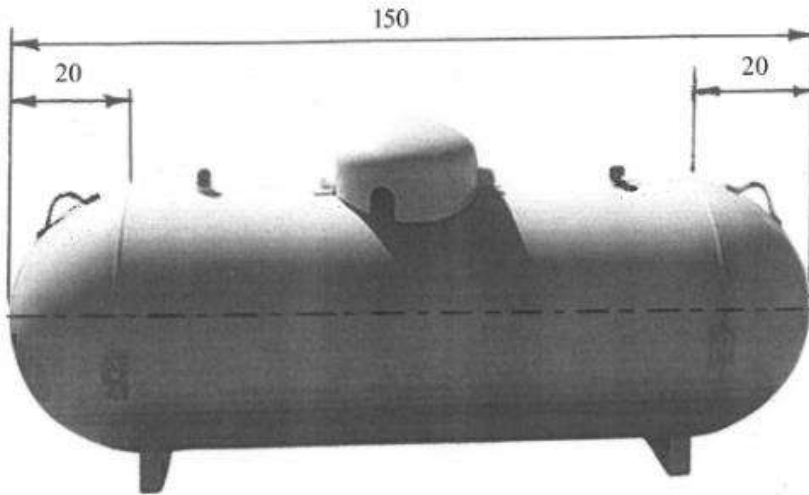
**Question Number : 144 Question Id : 48558434649 Question Type : MCQ Option Shuffling : No Is Question Mandatory : No Calculator : None Response Time : N.A Think Time : N.A Minimum Instruction Time : 0**

**Correct Marks : 5 Wrong Marks : 1**

**Question Key Details :**

Key	Value
Comprehension	Comp1

ഖണ്ഡിക വായിച്ച് ചോദ്യങ്ങൾക്ക് ഉത്തരം എഴുതുക



രോഹൻ തന്റെ വ്യവസായിക സന്ദർശനത്തിനിടെ അവൻ ക്ലാസിൽ പഠിച്ചതു പോലുള്ള ഘനരൂപങ്ങളുടെ സംയുക്ത രൂപമാർന്ന ഒരു സ്റ്റോറേജ് ടാങ്ക് കണ്ടു. വ്യവസായിക സന്ദർശന റിപ്പോർട്ട് ഉണ്ടാക്കാൻ സംഭരണിയുടെയും മറ്റ് മെഷീൻ പാർട്ടുകളുടെയും ചിത്രങ്ങളിൽ ക്ലിക്ക് ചെയ്ത് അതിന്റെ അളവുകൾ കണക്കാക്കി. അത്തരത്തിൽ അവന്റെ റിപ്പോർട്ടിൽ ഉണ്ടായിരുന്ന ഒരു ചിത്രമാണ് മുകളിൽ കാണുന്നത് (അളവുകൾ മീറ്ററിലാണ്). ടാങ്കിന്റെ തിക്തസം സ്റ്റാൻഡും ബ്രാഞ്ചുകളും അവഗണിക്കുക. ചോദ്യത്തിന് ഉത്തരം നൽകുക.

ചിത്രത്തിന്റെ അടിസ്ഥാനത്തിൽ, ടാങ്കിന്റെ ആക്സിസിനെ സംബന്ധിച്ച് ഒരിക്കലും ശരിയല്ലാത്തത്.

1. അത് V.P ക്ക് സമാന്തരമാണ്
2. അത് H.P ക്ക് സമാന്തരമാണ്
3. അത് V.P ക്ക് ലംബമാണ്
4. അത് H.P ക്ക് ലംബമാണ്

**Options :**

- 485584138593. 1
- 485584138594. 2
- 485584138595. 3
- 485584138596. 4

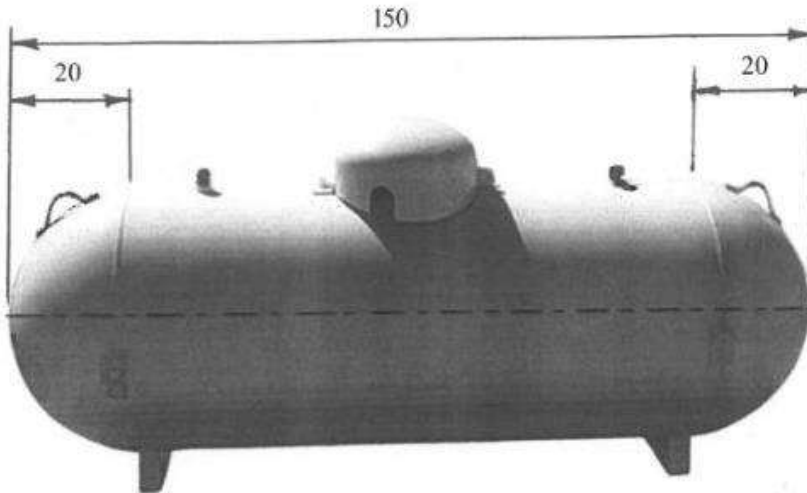
**Question Number : 145 Question Id : 48558434650 Question Type : MCQ Option Shuffling : No Is Question Mandatory : No Calculator : None Response Time : N.A Think Time : N.A Minimum Instruction Time : 0**

**Correct Marks : 5 Wrong Marks : 1**

**Question Key Details :**

Key	Value
Comprehension	Comp1

Read the passage and answer the following question.



Rohan during his industrial visit saw a storage tank which is a combination of different solids he had studied in his class. For preparing his industrial visit report, he clicked pictures and measured dimensions of the tank and other machine parts in the industry. One such picture from his report is shown here (dimensions given are in meters). Ignore the thickness, stands, opening and other branches of the tank and answer the following questions.

The 2D figure required for drawing isometric projection of this tank is \_\_\_\_\_.

1. Ellipse
2. Pentagon
3. Hexagon
4. Triangle

**Options :**

- 485584138597. 1
- 485584138598. 2
- 485584138599. 3
- 485584138600. 4

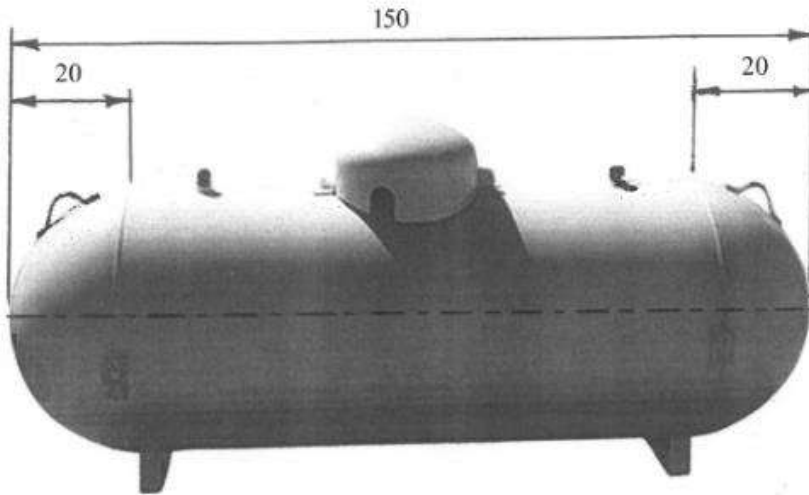
**Question Number : 145 Question Id : 48558434650 Question Type : MCQ Option Shuffling : No Is Question Mandatory : No Calculator : None Response Time : N.A Think Time : N.A Minimum Instruction Time : 0**

**Correct Marks : 5 Wrong Marks : 1**

**Question Key Details :**

Key	Value
Comprehension	Comp1

ഖണ്ഡിക വായിച്ച് ചോദ്യങ്ങൾക്ക് ഉത്തരം എഴുതുക



രോഹൻ തന്റെ വ്യാവസായിക സന്ദർശനത്തിനിടെ അവൻ ക്ലാസിൽ പഠിച്ചതു പോലുള്ള ഘനരൂപങ്ങളുടെ സംയുക്ത രൂപമാർന്ന ഒരു സ്റ്റോറേജ് ടാങ്ക് കണ്ടു. വ്യാവസായിക സന്ദർശന റിപ്പോർട്ട് ഉണ്ടാക്കാൻ സംഭരണിയുടെയും മറ്റ് മെഷീൻ പാർട്ടുകളുടെയും ചിത്രങ്ങളിൽ ക്ലിക്ക് ചെയ്ത് അതിന്റെ അളവുകൾ കണക്കാക്കി. അത്തരത്തിൽ അവന്റെ റിപ്പോർട്ടിൽ ഉണ്ടായിരുന്ന ഒരു ചിത്രമാണ് മുകളിൽ കാണുന്നത് (അളവുകൾ മീറ്ററിലാണ്). ടാങ്കിന്റെ തിക്തസം സ്റ്റാൻഡിംഗ് ബ്രാഞ്ചുകളും അവഗണിക്കുക. ചോദ്യത്തിന് ഉത്തരം നൽകുക.

ഈ ടാങ്കിന്റെ ഐസോമെട്രിക് പ്രൊജക്ഷൻ വരയ്ക്കാൻ ദ്വിമാന ചിത്രത്തിന് \_\_\_\_\_ ആവശ്യമാണ്.

1. ദീർഘവൃത്തങ്ങൾ
2. പഞ്ചഭുജം
3. ഷഡ്ഭുജം
4. ത്രികോണം

**Options :**

- 485584138597. 1
- 485584138598. 2
- 485584138599. 3
- 485584138600. 4

Sub-Section Number : 3  
 Sub-Section Id : 4855842535  
 Question Shuffling Allowed : No  
 Is Section Default? : null

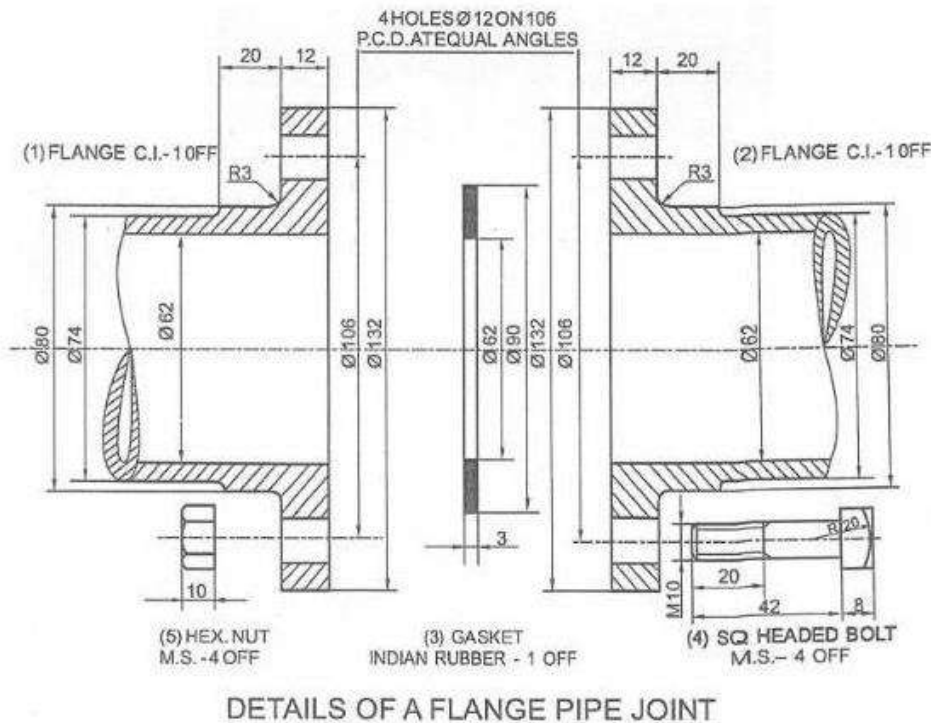
Question Number : 146 Question Id : 48558434651 Question Type : MCQ Option Shuffling : No Is Question Mandatory : No Calculator : None Response Time : N.A Think Time : N.A Minimum Instruction Time : 0

Correct Marks : 5 Wrong Marks : 1

**Question Key Details :**

Key	Value
Comprehension	Comp2

The given figure shows the disassembled part of a Flange Pipe Joint. Answer the following question based on this drawing:



\_\_\_\_\_ is the inner diameter of the Pipe from which liquid / gas has to flow.

1. 62 mm
2. 90 mm
3. 74 mm
4. 80 mm

**Options :**

- 485584138601. 1
- 485584138602. 2
- 485584138603. 3
- 485584138604. 4

**Question Number : 146 Question Id : 48558434651 Question Type : MCQ Option Shuffling : No Is Question Mandatory : No Calculator : None Response Time : N.A Think Time : N.A Minimum Instruction Time : 0**

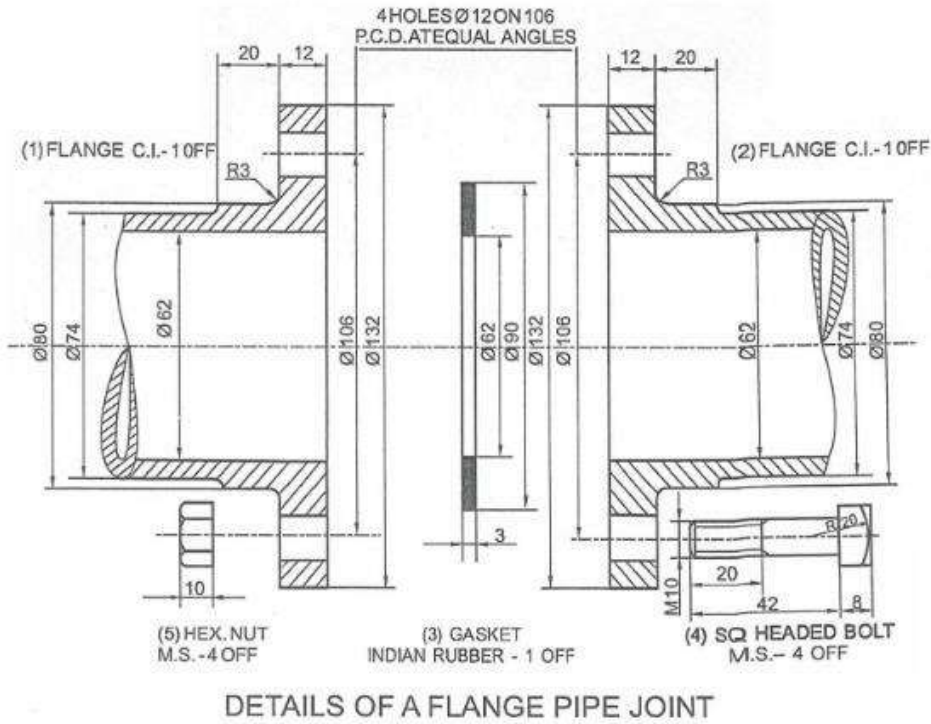
**Correct Marks : 5 Wrong Marks : 1**

**Question Key Details :**

Key	Value
Comprehension	Comp2



The given figure shows the disassembled part of a Flange Pipe Joint. Answer the following question based on this drawing:



പ്ലാമ്പ് പൈപ്പ് ജോയിന്റിന്റെ വിവരണം

ദ്രാവക/വാതകങ്ങൾ ഒഴുകേണ്ടുന്ന പൈപ്പിന്റെ ഉൾഭാഗ വ്യാസം \_\_\_\_\_ mm ആണ്.

1. 62
2. 90
3. 74
4. 80

Options :

485584138601. 1
485584138602. 2
485584138603. 3
485584138604. 4

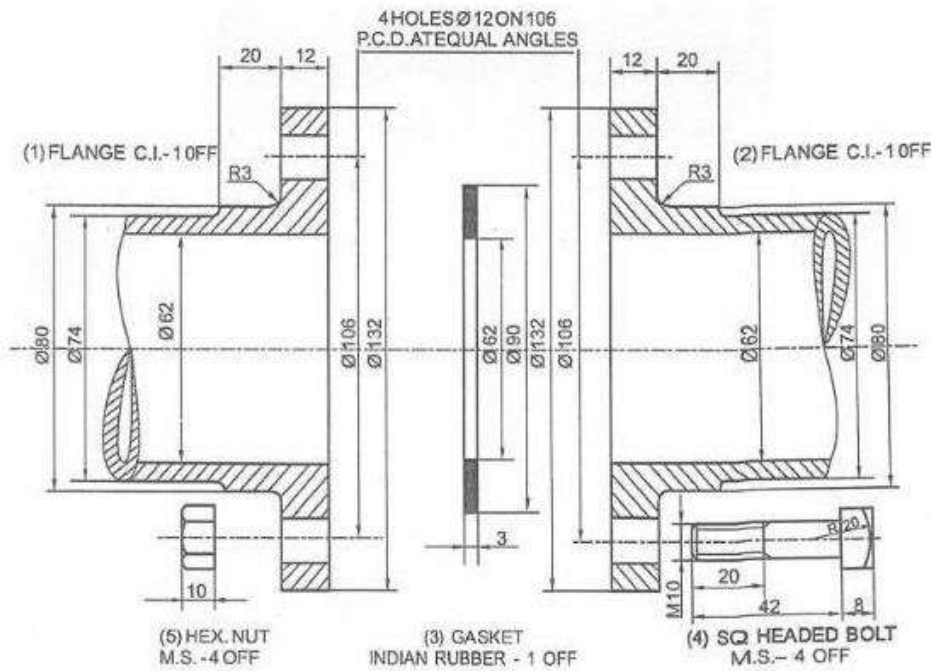
Question Number : 147 Question Id : 48558434652 Question Type : MCQ Option Shuffling : No Is Question Mandatory : No Calculator : None Response Time : N.A Think Time : N.A Minimum Instruction Time : 0

Correct Marks : 5 Wrong Marks : 1

Question Key Details :

Key	Value
Comprehension	Comp2

The given figure shows the disassembled part of a Flange Pipe Joint. Answer the following question based on this drawing:



DETAILS OF A FLANGE PIPE JOINT

Choose the **correct** statement for the Flange:

1. It is a projected semicircular rim.
2. It is made thinner than pipe-walls.
3. It attaches to a shaft.
4. It serves to hold the pipe in place.

**Options :**

- 485584138605. 1
- 485584138606. 2
- 485584138607. 3
- 485584138608. 4

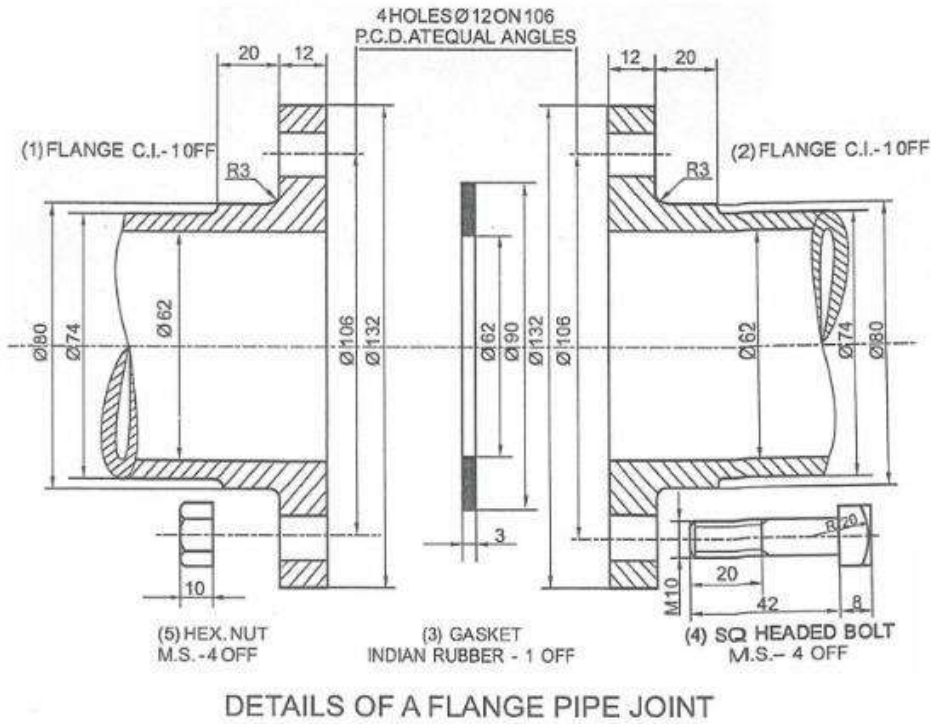
Question Number : 147 Question Id : 48558434652 Question Type : MCQ Option Shuffling : No Is Question Mandatory : No Calculator : None Response Time : N.A Think Time : N.A Minimum Instruction Time : 0

Correct Marks : 5 Wrong Marks : 1

**Question Key Details :**

Key	Value
Comprehension	Comp2

The given figure shows the disassembled part of a Flange Pipe Joint. Answer the following question based on this drawing:



പ്ലാബ് പൈപ്പ് ജോയിന്റിന്റെ വിവരണം

ശരിയായ പ്രസ്താവന ഏത്.

1. ഇത് പ്രൊജക്ട് ചെയ്ത അർദ്ധ വൃത്താകൃതിയിലുള്ള റിം ആണ്
2. ഇത് പൈപ്പ്-വാളിനേക്കാൾ തിന്നറയാണ് ഉണ്ടാക്കുന്നത്
3. ഇത് ഒരു ഷാഫ്റ്റുമായി ചേർക്കുന്നു
4. പൈപ്പ് അതേപടി നിൽക്കാൻ ഇത് സഹായിക്കുന്നു

**Options :**

- 485584138605. 1
- 485584138606. 2
- 485584138607. 3
- 485584138608. 4

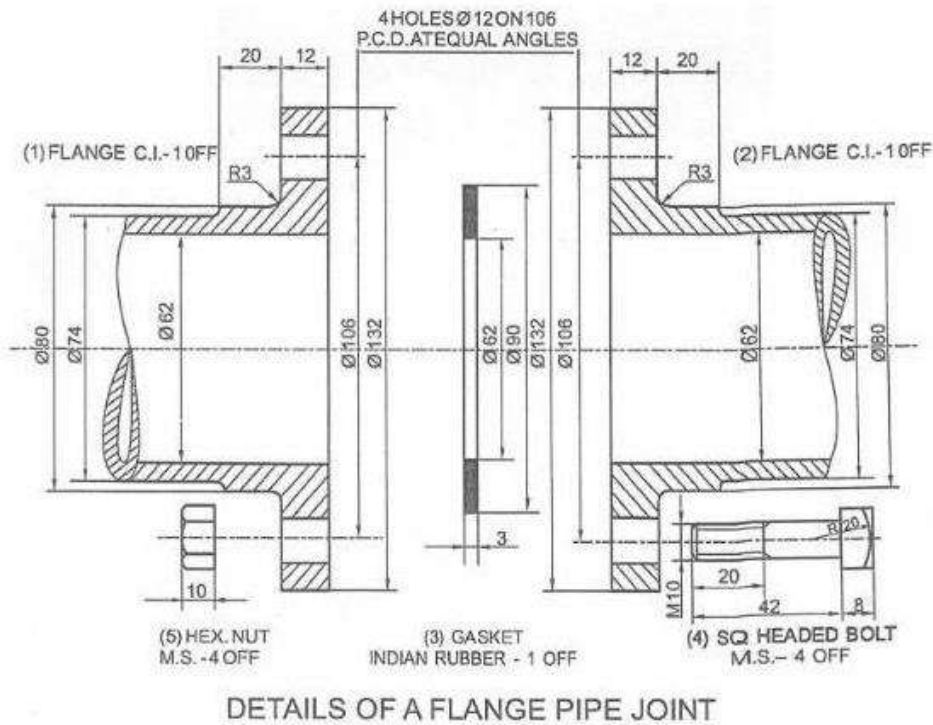
**Question Number : 148 Question Id : 48558434653 Question Type : MCQ Option Shuffling : No Is Question Mandatory : No Calculator : None Response Time : N.A Think Time : N.A Minimum Instruction Time : 0**

**Correct Marks : 5 Wrong Marks : 1**

**Question Key Details :**

Key	Value
Comprehension	Comp2

The given figure shows the disassembled part of a Flange Pipe Joint. Answer the following question based on this drawing:



External diameter of the rubber Gasket is:

1. 132 mm
2. 62 mm
3. 74 mm
4. 90 mm

**Options :**

- 485584138609. 1
- 485584138610. 2
- 485584138611. 3
- 485584138612. 4

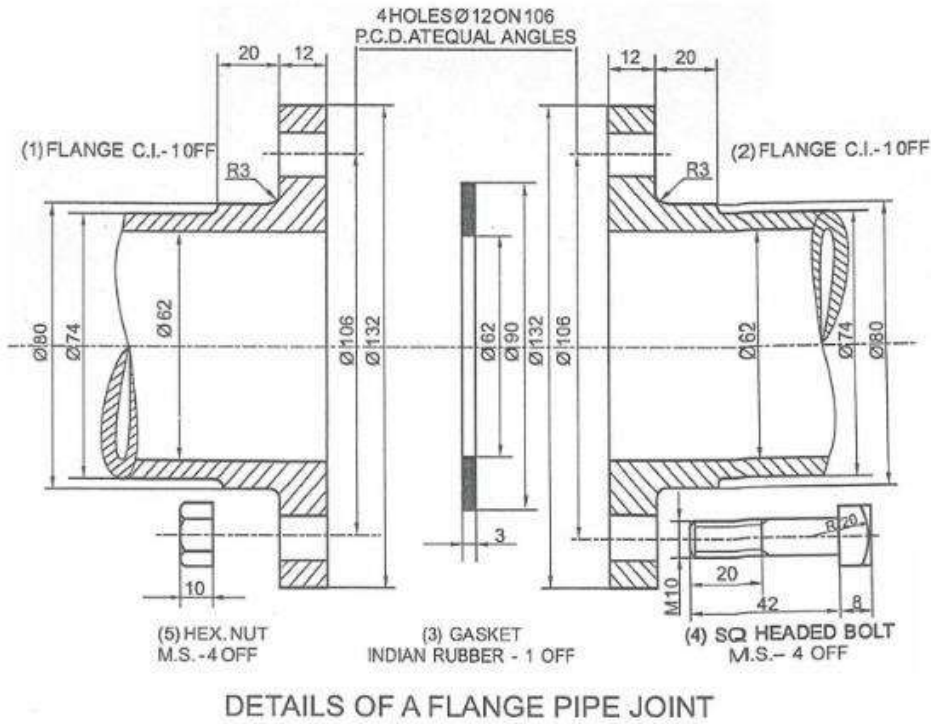
**Question Number : 148 Question Id : 48558434653 Question Type : MCQ Option Shuffling : No Is Question Mandatory : No Calculator : None Response Time : N.A Think Time : N.A Minimum Instruction Time : 0**

**Correct Marks : 5 Wrong Marks : 1**

**Question Key Details :**

Key	Value
Comprehension	Comp2

The given figure shows the disassembled part of a Flange Pipe Joint. Answer the following question based on this drawing:



പ്ലാമ്പ് പൈപ്പ് ജോയിന്റിന്റെ വിവരണം

റബ്ബർ ഗാസ്റ്റിന്റെ ബാഹ്യ വ്യാസം.

1. 132 mm
2. 62 mm
3. 74 mm
4. 90 mm

Options :

- 485584138609. 1
- 485584138610. 2
- 485584138611. 3
- 485584138612. 4

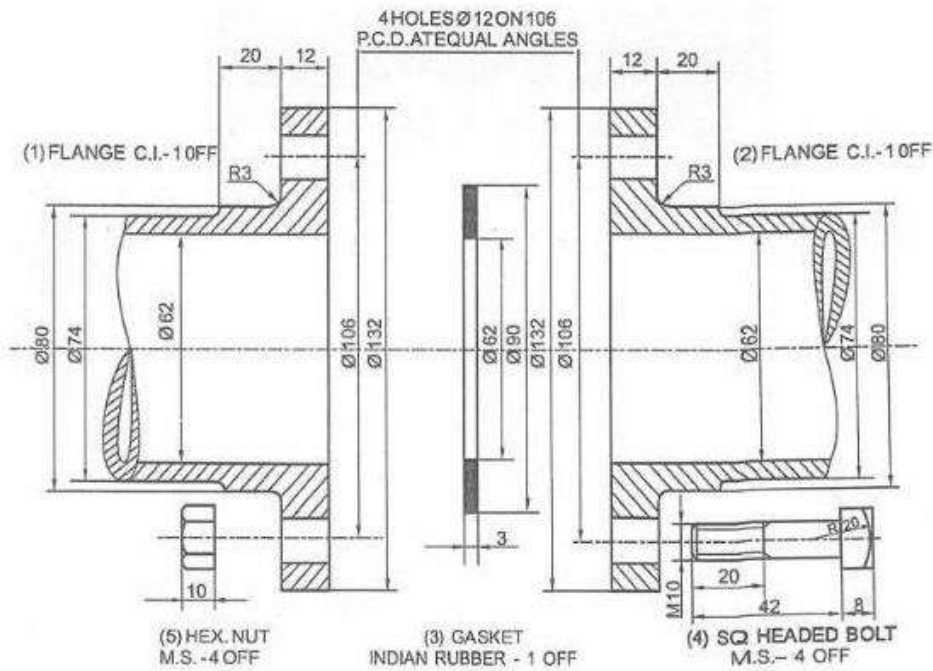
Question Number : 149 Question Id : 48558434654 Question Type : MCQ Option Shuffling : No Is Question Mandatory : No Calculator : None Response Time : N.A Think Time : N.A Minimum Instruction Time : 0

Correct Marks : 5 Wrong Marks : 1

Question Key Details :

Key	Value
Comprehension	Comp2

The given figure shows the disassembled part of a Flange Pipe Joint. Answer the following question based on this drawing:



DETAILS OF A FLANGE PIPE JOINT

C.I. stands for :

1. Closed Interior
2. Crest Index
3. Cast Iron
4. Counter Iron

Options :

- 485584138613. 1
- 485584138614. 2
- 485584138615. 3
- 485584138616. 4

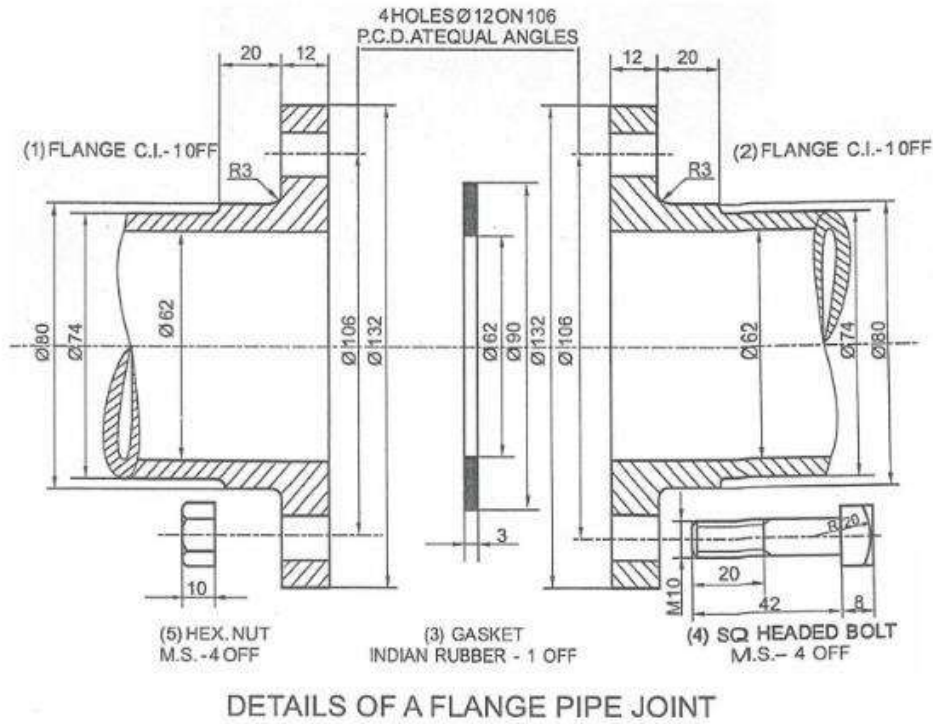
Question Number : 149 Question Id : 48558434654 Question Type : MCQ Option Shuffling : No Is Question Mandatory : No Calculator : None Response Time : N.A Think Time : N.A Minimum Instruction Time : 0

Correct Marks : 5 Wrong Marks : 1

Question Key Details :

Key	Value
Comprehension	Comp2

The given figure shows the disassembled part of a Flange Pipe Joint. Answer the following question based on this drawing:



ഘാതം പൈപ്പ് ജോയിന്റിന്റെ വിവരണം

C.I. എന്നത്

1. ക്ലോസ് ഇന്റീരിയർ
2. ക്രസ്സ് ഇൻഡക്ട്
3. കാസ്റ്റ് അയൺ
4. കൗണ്ടർ അയൺ

Options :

- 485584138613. 1
- 485584138614. 2
- 485584138615. 3
- 485584138616. 4

Question Number : 150 Question Id : 48558434655 Question Type : MCQ Option Shuffling : No Is Question Mandatory : No Calculator : None Response Time : N.A Think Time : N.A Minimum Instruction Time : 0

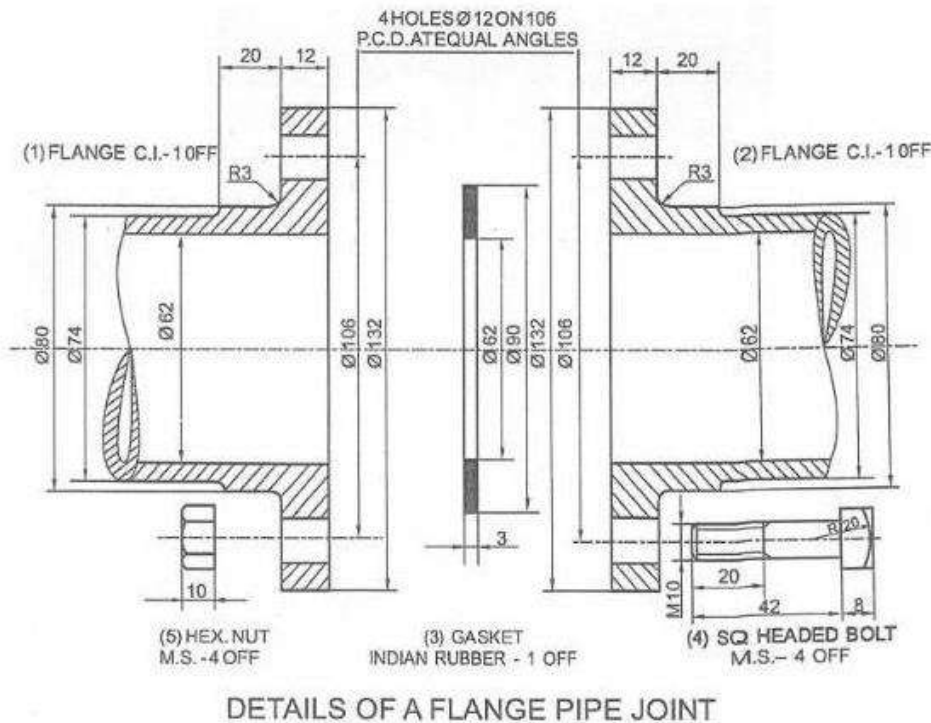
Correct Marks : 5 Wrong Marks : 1

Question Key Details :

Key	Value
Comprehension	Comp2



The given figure shows the disassembled part of a Flange Pipe Joint. Answer the following question based on this drawing:



The thickness of pipe walls can be increased when \_\_\_\_\_.

1. pressure is low
2. pressure is high
3. length of pipe has to be increased
4. length of pipe has to be decreased

**Options :**

- 485584138617. 1
- 485584138618. 2
- 485584138619. 3
- 485584138620. 4

**Question Number : 150 Question Id : 48558434655 Question Type : MCQ Option Shuffling : No Is Question Mandatory : No Calculator : None Response Time : N.A Think Time : N.A Minimum Instruction Time : 0**

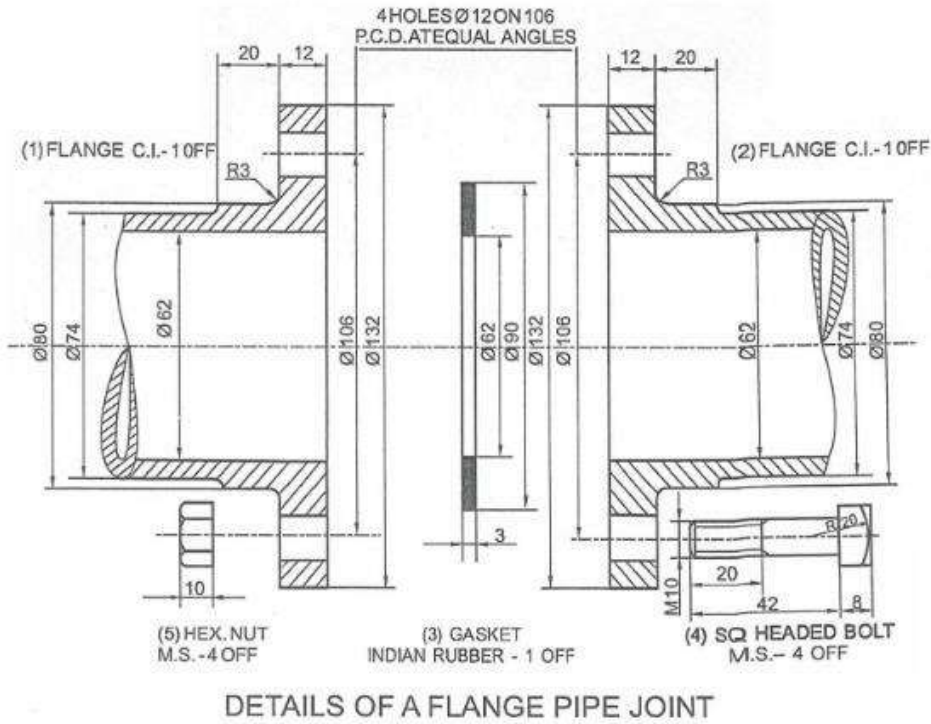
**Correct Marks : 5 Wrong Marks : 1**

**Question Key Details :**

Key	Value
Comprehension	Comp2



The given figure shows the disassembled part of a Flange Pipe Joint. Answer the following question based on this drawing:



ഘാബ് പൈപ്പ് ജോയിന്റിന്റെ വിവരണം

പൈപ്പിന്റെ തിക്സസ് കൂട്ടാൻ പറുന്നത്

1. പ്രഷർ ലോ ആകുമ്പോൾ
2. പ്രഷർ ഹൈ ആകുമ്പോൾ
3. പൈപ്പിന്റെ നീളം വർദ്ധിപ്പിക്കണം
4. പൈപ്പിന്റെ നീളം കുറയ്ക്കണം

Options :

- 485584138617. 1
- 485584138618. 2
- 485584138619. 3
- 485584138620. 4

## Geography

Group Number :	9
Group Id :	485584776
Group Maximum Duration :	45
Group Minimum Duration :	45
Show Attended Group? :	No

Edit Attended Group? : No  
Break time : 0  
Group Marks : 200  
Is this Group for Examiner? : No  
Examiner permission : Cant View  
Show Progress Bar? : No

## Geography

Section Id : 485584894  
Section Number : 1  
Section type : Online  
Mandatory or Optional : Mandatory  
Number of Questions : 50  
Number of Questions to be attempted : 40  
Section Marks : 200  
Enable Mark as Answered Mark for Review and Clear Response : Yes  
Maximum Instruction Time : 0  
Sub-Section Number : 1  
Sub-Section Id : 4855842536  
Question Shuffling Allowed : Yes  
Is Section Default? : null

Question Number : 151 Question Id : 48558434056 Question Type : MCQ Option Shuffling : No Is Question Mandatory : No Calculator : None Response Time : N.A Think Time : N.A Minimum Instruction Time : 0

Correct Marks : 5 Wrong Marks : 1

Question Key Details :

Key	Value
Comprehension	MCQ

The concept neither there is a situation of absolute necessity nor absolute freedom is called :

1. Environmentalism
2. Probablism
3. Possibilism
4. Neo-determinism

Options :

485584136221. 1  
485584136222. 2  
485584136223. 3  
485584136224. 4

Question Number : 152 Question Id : 48558434057 Question Type : MCQ Option Shuffling : No Is Question Mandatory : No Calculator : None Response Time : N.A Think Time : N.A Minimum Instruction Time : 0

Correct Marks : 5 Wrong Marks : 1

Question Key Details :

Key	Value
Comprehension	MCQ

Radical school approach in human geography is related to \_\_\_\_\_.

1. encyclo paetic description of the area
2. indentifying the Uniqueness of any region
3. indentifying mappable pattern for different human activities
4. explaining the basic cause of poverty and social inequality

**Options :**

- 485584136225. 1
- 485584136226. 2
- 485584136227. 3
- 485584136228. 4

**Question Number : 153 Question Id : 48558434058 Question Type : MCQ Option Shuffling : No Is Question Mandatory : No Calculator : None Response Time : N.A Think Time : N.A Minimum Instruction Time : 0**

**Correct Marks : 5 Wrong Marks : 1**

**Question Key Details :**

Key	Value
Comprehension	MCQ

Discontentment with quantitative revolution did not lead to the emergence of \_\_\_\_\_.

1. Humanistic school of geography
2. Radical Geography
3. Regional Geography
4. Behavioural Geography

**Options :**

- 485584136229. 1
- 485584136230. 2
- 485584136231. 3
- 485584136232. 4

**Question Number : 154 Question Id : 48558434059 Question Type : MCQ Option Shuffling : No Is Question Mandatory : No Calculator : None Response Time : N.A Think Time : N.A Minimum Instruction Time : 0**

**Correct Marks : 5 Wrong Marks : 1**

**Question Key Details :**

Key	Value
Comprehension	MCQ

\_\_\_\_\_ is a sub-field of social Geography.

1. Geography of Leisure
2. Geography of Resources
3. Geography of Tourism
4. Geography to Agriculture

**Options :**

485584136233. 1  
485584136234. 2  
485584136235. 3  
485584136236. 4

**Question Number : 155 Question Id : 48558434060 Question Type : MCQ Option Shuffling : No Is Question Mandatory : No Calculator : None Response Time : N.A Think Time : N.A Minimum Instruction Time : 0**

**Correct Marks : 5 Wrong Marks : 1**

**Question Key Details :**

Key	Value
Comprehension	MCQ

Demographic Transition Theory can be used to describe and predict :

1. People participation in different categories of economic activities
2. Future population of an area
3. Gender based classification of population of an area
4. Working and depend and population of an area

**Options :**

485584136237. 1  
485584136238. 2  
485584136239. 3  
485584136240. 4

**Question Number : 156 Question Id : 48558434061 Question Type : MCQ Option Shuffling : No Is Question Mandatory : No Calculator : None Response Time : N.A Think Time : N.A Minimum Instruction Time : 0**

**Correct Marks : 5 Wrong Marks : 1**

**Question Key Details :**

Key	Value
Comprehension	MCQ

Which programme was introduced by the Government of India to address the issue of decline in child sex ratio?

1. Beti Bachao Beti Padhao
2. Beti Samjhao Beto Padhao
3. Beti Samjhao Beti Bachao
4. Beti Batao Beti Badhao

**Options :**

485584136241. 1  
485584136242. 2  
485584136243. 3  
485584136244. 4

**Question Number : 157 Question Id : 48558434062 Question Type : MCQ Option Shuffling : No Is Question Mandatory : No Calculator : None Response Time : N.A Think Time : N.A Minimum Instruction Time : 0**

**Correct Marks : 5 Wrong Marks : 1**

**Question Key Details :**

Key	Value
Comprehension	MCQ

International Labour Organisation (ILO) proposed \_\_\_\_\_ for human development measurement.

1. basic needs approach
2. income approach
3. welfare approach
4. capability approach

**Options :**

485584136245. 1  
485584136246. 2  
485584136247. 3  
485584136248. 4

**Question Number : 158 Question Id : 48558434063 Question Type : MCQ Option Shuffling : No Is Question Mandatory : No Calculator : None Response Time : N.A Think Time : N.A Minimum Instruction Time : 0**

**Correct Marks : 5 Wrong Marks : 1**

**Question Key Details :**

Key	Value
Comprehension	MCQ

The process of migration from plain areas to pastures on mountain during summers and again from mountain pastures to plain areas during winter is known as \_\_\_\_\_.

1. immigration
2. migration
3. transhumance
4. emigration

**Options :**

485584136249. 1  
485584136250. 2  
485584136251. 3  
485584136252. 4

**Question Number : 159 Question Id : 48558434064 Question Type : MCQ Option Shuffling : No Is Question Mandatory : No Calculator : None Response Time : N.A Think Time : N.A Minimum Instruction Time : 0**

**Correct Marks : 5 Wrong Marks : 1**

**Question Key Details :**

Key	Value
Comprehension	MCQ

'Chicago-Gary' is a major industrial region of \_\_\_\_\_.

1. Europe
2. Australia
3. Canada
4. United States of America

**Options :**

485584136253. 1  
485584136254. 2  
485584136255. 3  
485584136256. 4

**Question Number : 160 Question Id : 48558434065 Question Type : MCQ Option Shuffling : No Is Question Mandatory : No Calculator : None Response Time : N.A Think Time : N.A Minimum Instruction Time : 0**

**Correct Marks : 5 Wrong Marks : 1**

**Question Key Details :**

Key	Value
Comprehension	MCQ

Which of the following sea route is called as Big Trunk Route ?

1. North Pacific Sea Route
2. Northen Atlantic Sea Route
3. Cape of Good Hope Sea Route
4. Southern Atlantic Sea Route

**Options :**

485584136257. 1  
485584136258. 2  
485584136259. 3  
485584136260. 4

**Question Number : 161 Question Id : 48558434066 Question Type : MCQ Option Shuffling : No Is Question Mandatory : No Calculator : None Response Time : N.A Think Time : N.A Minimum Instruction Time : 0**

**Correct Marks : 5 Wrong Marks : 1**

**Question Key Details :**

Key	Value
Comprehension	MCQ

Which of the following country has the highest density of rail network ?

1. Africa
2. Canada
3. Asia
4. Australia

**Options :**

485584136261. 1  
485584136262. 2  
485584136263. 3  
485584136264. 4

**Question Number : 162 Question Id : 48558434067 Question Type : MCQ Option Shuffling : No Is Question Mandatory : No Calculator : None Response Time : N.A Think Time : N.A Minimum Instruction Time : 0**

**Correct Marks : 5 Wrong Marks : 1**

**Question Key Details :**

Key	Value
Comprehension	MCQ

The Union of Conurbations is called \_\_\_\_\_.

1. Megopolis
2. Conurbation
3. Metropolitan
4. Million City

**Options :**

485584136265. 1  
485584136266. 2  
485584136267. 3  
485584136268. 4

**Question Number : 163 Question Id : 48558434068 Question Type : MCQ Option Shuffling : No Is Question Mandatory : No Calculator : None Response Time : N.A Think Time : N.A Minimum Instruction Time : 0**

**Correct Marks : 5 Wrong Marks : 1**

**Question Key Details :**

Key	Value
Comprehension	MCQ

Arrange the following regions in ascending order according to growth rate of population (2010-15).

- A. Oceania
- B. Europe
- C. Asia
- D. Africa

Choose the correct answer from the options given below :

1. (B), (C), (A), (D)
2. (B), (A), (C), (D)
3. (B), (D), (A), (C)
4. (A), (B), (C), (D)

**Options :**

485584136269. 1  
485584136270. 2  
485584136271. 3  
485584136272. 4

**Question Number : 164 Question Id : 48558434069 Question Type : MCQ Option Shuffling : No Is Question Mandatory : No Calculator : None Response Time : N.A Think Time : N.A Minimum Instruction Time : 0**

**Correct Marks : 5 Wrong Marks : 1**

**Question Key Details :**

Key	Value
Comprehension	MCQ



Arrange the following stations of Trans Siberian Railway from East to West direction.

- A. Chita
- B. Vladivostak
- C. Moscow
- D. Omsk

Choose the correct answer from the options given below :

1. (A), (B), (C), (D)
2. (B), (A), (D), (C)
3. (B), (A), (C), (D)
4. (A), (B), (C), (D)

**Options :**

- 485584136273. 1
- 485584136274. 2
- 485584136275. 3
- 485584136276. 4

**Question Number : 165 Question Id : 48558434070 Question Type : MCQ Option Shuffling : No Is Question Mandatory : No Calculator : None Response Time : N.A Think Time : N.A Minimum Instruction Time : 0**

**Correct Marks : 5 Wrong Marks : 1**

**Question Key Details :**

Key	Value
Comprehension	MCQ

Arrange the following mega cities of the world in descending order according to population (2016).

- A. Shanghai
- B. Beijing
- C. Sao Paulo
- D. Tokyo

Choose the correct answer from the options given below :

1. (D), (A), (C), (B)
2. (D), (A), (B), (C)
3. (A), (D), (B), (C)
4. (A), (D), (C), (B)

**Options :**

- 485584136277. 1
- 485584136278. 2
- 485584136279. 3
- 485584136280. 4

**Question Number : 166 Question Id : 48558434071 Question Type : MCQ Option Shuffling : No Is Question Mandatory : No Calculator : None Response Time : N.A Think Time : N.A Minimum Instruction Time : 0**

**Correct Marks : 5 Wrong Marks : 1**

**Question Key Details :**

Key	Value
Comprehension	MCQ

Read the following statements about demographic transition theory carefully :

- A. The first stage has high fertility and high mortality
- B. Fertility remains high in beginning of second stage
- C. In the last stage both fertility and mortality declined considerably
- D. This theory cannot be used to describe and predict the future population of any area

Choose the correct answer from the options given below :

- 1. (A), (B), (C) only
- 2. (A), (B), (D) only
- 3. (A), (C), (D) only
- 4. (B), (C), (D) only

**Options :**

- 485584136281. 1
- 485584136282. 2
- 485584136283. 3
- 485584136284. 4

**Question Number : 167 Question Id : 48558434072 Question Type : MCQ Option Shuffling : No Is Question Mandatory : No Calculator : None Response Time : N.A Think Time : N.A Minimum Instruction Time : 0**

**Correct Marks : 5 Wrong Marks : 1**

**Question Key Details :**

Key	Value
Comprehension	MCQ

Identify the characteristics of compact or nucleated settlements :

- A. Houses are built very close to each other.
- B. Communities share common occupation.
- C. Mainly found in fertile plains.
- D. Houses are interspersed with fields.

Choose the correct answer from the options given below :

- 1. (A), (B), (D) only
- 2. (A), (C), (D) only
- 3. (B), (C), (D) only
- 4. (A), (B), (C) only

**Options :**

- 485584136285. 1
- 485584136286. 2
- 485584136287. 3
- 485584136288. 4

**Question Number : 168 Question Id : 48558434073 Question Type : MCQ Option Shuffling : No Is Question Mandatory : No Calculator : None Response Time : N.A Think Time : N.A Minimum Instruction Time : 0**

**Correct Marks : 5 Wrong Marks : 1**

**Question Key Details :**

Key	Value
Comprehension	MCQ

Match List I with List II

LIST I (Concept)		LIST II (Definition)	
A.	Density of population	I.	The working population participation in various occupations
B.	Sex Ratio	II.	Numbers of people in different age groups
C.	Age structure	III.	Ratio between the number of women and men
D.	Occupational Structure	IV.	Ratio between the numbers of people to size of land

Choose the correct answer from the options given below:

- 1. (A)-(IV), (B)-(III), (C)-(II), (D)-(I)
- 2. (A)-(IV), (B)-(II), (C)-(III), (D)-(I)
- 3. (A)-(I), (B)-(II), (C)-(IV), (D)-(III)
- 4. (A)-(IV), (B)-(I), (C)-(III), (D)-(II)

**Options :**

- 485584136289. 1
- 485584136290. 2
- 485584136291. 3
- 485584136292. 4

**Question Number : 169 Question Id : 48558434074 Question Type : MCQ Option Shuffling : No Is Question Mandatory : No Calculator : None Response Time : N.A Think Time : N.A Minimum Instruction Time : 0**

**Correct Marks : 5 Wrong Marks : 1**

**Question Key Details :**

Key	Value
Comprehension	MCQ

Match List I with List II

LIST I (Trains Continental Railways)		LIST II (Stations)	
A.	Trans-Siberian Railways	I.	Perth to Sydney
B.	Tran-Canadian Railways	II.	St. Petersburg to Vladivostok
C.	The Union and Pacific Railways	III.	New York to San Francisco
D.	The Australian Trans-continental Railways	IV.	Halifax to Vancouver

Choose the correct answer from the options given below:

1. (A)-(II), (B)-(I), (C)-(IV), (D)-(III)
2. (A)-(II), (B)-(IV), (C)-(III), (D)-(I)
3. (A)-(II), (B)-(III), (C)-(IV), (D)-(I)
4. (A)-(IV), (B)-(III), (C)-(I), (D)-(II)

**Options :**

485584136293. 1  
485584136294. 2  
485584136295. 3  
485584136296. 4

**Question Number : 170 Question Id : 48558434075 Question Type : MCQ Option Shuffling : No Is Question Mandatory : No Calculator : None Response Time : N.A Think Time : N.A Minimum Instruction Time : 0**

**Correct Marks : 5 Wrong Marks : 1**

**Question Key Details :**

Key	Value
Comprehension	MCQ

Match List I with List II

LIST I (Aspects of International Trade)		LIST II (Characteristics)	
A.	Multi-lateral Trade	I.	Trade is done by two countries with each other
B.	Volume of Trade	II.	The nature of goods and services imported and exported by countries
C.	Composition of Trade	III.	Trade is conducted with many trading countries
D.	Bilateral Trade	IV.	The total value of goods and services traded

Choose the correct answer from the options given below:

1. (A)-(III), (B)-(IV), (C)-(I), (D)-(II)
2. (A)-(III), (B)-(IV), (C)-(II), (D)-(I)
3. (A)-(III), (B)-(II), (C)-(IV), (D)-(I)
4. (A)-(IV), (B)-(II), (C)-(III), (D)-(I)

**Options :**

485584136297. 1  
485584136298. 2  
485584136299. 3  
485584136300. 4

**Question Number : 171 Question Id : 48558434076 Question Type : MCQ Option Shuffling : No Is Question Mandatory : No Calculator : None Response Time : N.A Think Time : N.A Minimum Instruction Time : 0**

**Correct Marks : 5 Wrong Marks : 1**

**Question Key Details :**

Key	Value
Comprehension	MCQ

According to 2011, the highest population density is recorded in \_\_\_\_\_

1. West Bengal
2. Kerala
3. Bihar
4. Uttar Pradesh

**Options :**

485584136301. 1  
485584136302. 2  
485584136303. 3  
485584136304. 4

**Question Number : 172 Question Id : 48558434077 Question Type : MCQ Option Shuffling : No Is Question Mandatory : No Calculator : None Response Time : N.A Think Time : N.A Minimum Instruction Time : 0**

**Correct Marks : 5 Wrong Marks : 1**

**Question Key Details :**

Key	Value
Comprehension	MCQ

Both the birth rate and death rate were high in India during \_\_\_\_\_.

1. 1901 - 1921
2. 1921 - 1951
3. 1951 - 1981
4. After 1981

**Options :**

- 485584136305. 1
- 485584136306. 2
- 485584136307. 3
- 485584136308. 4

**Question Number : 173 Question Id : 48558434078 Question Type : MCQ Option Shuffling : No Is Question Mandatory : No Calculator : None Response Time : N.A Think Time : N.A Minimum Instruction Time : 0**

**Correct Marks : 5 Wrong Marks : 1**

**Question Key Details :**

Key	Value
Comprehension	MCQ

Arunachal Pradesh is dominated by the speakers of \_\_\_\_\_ family of Indian language.

1. Austric
2. Dravidian
3. Sino-Tibetan
4. Indo-European

**Options :**

- 485584136309. 1
- 485584136310. 2
- 485584136311. 3
- 485584136312. 4

**Question Number : 174 Question Id : 48558434079 Question Type : MCQ Option Shuffling : No Is Question Mandatory : No Calculator : None Response Time : N.A Think Time : N.A Minimum Instruction Time : 0**

**Correct Marks : 5 Wrong Marks : 1**

**Question Key Details :**

Key	Value
Comprehension	MCQ

The Agenda - 21 Report of the Rio Conference was published in \_\_\_\_\_.

1. 1972
2. 1974
3. 1987
4. 1993

**Options :**

- 485584136313. 1
- 485584136314. 2
- 485584136315. 3
- 485584136316. 4

**Question Number : 175 Question Id : 48558434080 Question Type : MCQ Option Shuffling : No Is Question Mandatory : No Calculator : None Response Time : N.A Think Time : N.A Minimum Instruction Time : 0**

**Correct Marks : 5 Wrong Marks : 1**

**Question Key Details :**

Key	Value
Comprehension	MCQ

Which one of the following is a garrison contonment town ?

1. Chandigarh
2. Satna
3. Raniganj
4. Udhampur

**Options :**

- 485584136317. 1
- 485584136318. 2
- 485584136319. 3
- 485584136320. 4

**Question Number : 176 Question Id : 48558434081 Question Type : MCQ Option Shuffling : No Is Question Mandatory : No Calculator : None Response Time : N.A Think Time : N.A Minimum Instruction Time : 0**

**Correct Marks : 5 Wrong Marks : 1**

**Question Key Details :**

Key	Value
Comprehension	MCQ

A population size of 5000 - 9,999 is put into which class of town according to 2011 census of India ?

1. Class – III
2. Class – IV
3. Class – V
4. Class – VI

**Options :**

- 485584136321. 1
- 485584136322. 2
- 485584136323. 3
- 485584136324. 4

**Question Number : 177 Question Id : 48558434082 Question Type : MCQ Option Shuffling : No Is Question Mandatory : No Calculator : None Response Time : N.A Think Time : N.A Minimum Instruction Time : 0**

**Correct Marks : 5 Wrong Marks : 1**

**Question Key Details :**

Key	Value
Comprehension	MCQ

Which one of the following minerals is mainly used in the electrical and electronic industries ?

1. Graphite
2. Mica
3. Manganese
4. Bauxite

**Options :**

- 485584136325. 1
- 485584136326. 2
- 485584136327. 3
- 485584136328. 4

**Question Number : 178 Question Id : 48558434083 Question Type : MCQ Option Shuffling : No Is Question Mandatory : No Calculator : None Response Time : N.A Think Time : N.A Minimum Instruction Time : 0**

**Correct Marks : 5 Wrong Marks : 1**

**Question Key Details :**

Key	Value
Comprehension	MCQ



Which of the following energy plant has been commissioned at Manikaran ?

1. Wind Energy
2. Bio Energy
3. Solar Energy
4. Geothermal Energy

**Options :**

485584136329. 1  
485584136330. 2  
485584136331. 3  
485584136332. 4

**Question Number : 179 Question Id : 48558434084 Question Type : MCQ Option Shuffling : No Is Question Mandatory : No Calculator : None Response Time : N.A Think Time : N.A Minimum Instruction Time : 0**

**Correct Marks : 5 Wrong Marks : 1**

**Question Key Details :**

Key	Value
Comprehension	MCQ

Which steel plant in India has a supply of iron ore from Noamundi, coal from Joda mines, and water from Kharkai river ?

1. Indian Iron and Steel Company (IISCO)
2. Tata Iron and Steel Company (TISCO)
3. Visvesvaraiya Iron and Steel Works Ltd. (VISL)
4. Rourkela Steel Plant

**Options :**

485584136333. 1  
485584136334. 2  
485584136335. 3  
485584136336. 4

**Question Number : 180 Question Id : 48558434085 Question Type : MCQ Option Shuffling : No Is Question Mandatory : No Calculator : None Response Time : N.A Think Time : N.A Minimum Instruction Time : 0**

**Correct Marks : 5 Wrong Marks : 1**

**Question Key Details :**

Key	Value
Comprehension	MCQ

India was famous worldwide for the production of a very fine variety of cotton cloth ?Which of the following was that ?

1. Chanderi
2. Khadi
3. Muslin
4. Lahori

**Options :**

485584136337. 1  
485584136338. 2  
485584136339. 3  
485584136340. 4

**Question Number : 181 Question Id : 48558434086 Question Type : MCQ Option Shuffling : No Is Question Mandatory : No Calculator : None Response Time : N.A Think Time : N.A Minimum Instruction Time : 0**

**Correct Marks : 5 Wrong Marks : 1**

**Question Key Details :**

Key	Value
Comprehension	MCQ

The length of first railway run between Bombay and Thane was \_\_\_\_\_.

1. 32 km
2. 34 km
3. 36 km
4. 38 km

**Options :**

485584136341. 1  
485584136342. 2  
485584136343. 3  
485584136344. 4

**Question Number : 182 Question Id : 48558434087 Question Type : MCQ Option Shuffling : No Is Question Mandatory : No Calculator : None Response Time : N.A Think Time : N.A Minimum Instruction Time : 0**

**Correct Marks : 5 Wrong Marks : 1**

**Question Key Details :**

Key	Value
Comprehension	MCQ

Which one of the following is the cause of intestinal worms ?

1. Water Pollution
2. Air Pollution
3. Noise Pollution
4. Land Pollution

**Options :**

- 485584136345. 1
- 485584136346. 2
- 485584136347. 3
- 485584136348. 4

**Question Number : 183 Question Id : 48558434088 Question Type : MCQ Option Shuffling : No Is Question Mandatory : No Calculator : None Response Time : N.A Think Time : N.A Minimum Instruction Time : 0**

**Correct Marks : 5 Wrong Marks : 1**

**Question Key Details :**

Key	Value
Comprehension	MCQ

By 2050, an estimated \_\_\_\_\_ of the world's population will live in Urban areas.

1. one-third
2. two-third
3. half
4. three-fourth

**Options :**

- 485584136349. 1
- 485584136350. 2
- 485584136351. 3
- 485584136352. 4

**Question Number : 184 Question Id : 48558434089 Question Type : MCQ Option Shuffling : No Is Question Mandatory : No Calculator : None Response Time : N.A Think Time : N.A Minimum Instruction Time : 0**

**Correct Marks : 5 Wrong Marks : 1**

**Question Key Details :**

Key	Value
Comprehension	MCQ

Arrange the following oil refineries of India from north to south direction.

- A. Mangaluru
- B. Haldia
- C. Kochchi
- D. Tatipaka

Choose the correct answer from the options given below :

1. (D), (A), (B), (C)
2. (D), (B), (A), (C)
3. (B), (D), (A), (C)
4. (B), (D), (C), (A)

**Options :**

- 485584136353. 1
- 485584136354. 2
- 485584136355. 3
- 485584136356. 4

**Question Number : 185 Question Id : 48558434090 Question Type : MCQ Option Shuffling : No Is Question Mandatory : No Calculator : None Response Time : N.A Think Time : N.A Minimum Instruction Time : 0**

**Correct Marks : 5 Wrong Marks : 1**

**Question Key Details :**

Key	Value
Comprehension	MCQ

Arrange the following software technology parks of India from West to East direction.

- A. Delhi
- B. Kanpur
- C. Kolkata
- D. Gandhinagar

Choose the correct answer from the options given below :

1. (D), (A), (C), (B)
2. (D), (C), (B), (A)
3. (D), (A), (B), (C)
4. (A), (D), (B), (C)

**Options :**

- 485584136357. 1
- 485584136358. 2
- 485584136359. 3
- 485584136360. 4

**Question Number : 186 Question Id : 48558434091 Question Type : MCQ Option Shuffling : No Is Question Mandatory : No Calculator : None Response Time : N.A Think Time : N.A Minimum Instruction Time : 0**

**Correct Marks : 5 Wrong Marks : 1**

**Question Key Details :**

Key	Value
Comprehension	MCQ

Read the following statements about rice crop in India carefully.

- A. It is considered to be a crop of tropical humid areas.
- B. Rice cultivation in the irrigated areas of Punjab and Haryana was introduced in 1950s.
- C. In West Bengal farmers grow three crops of rice.
- D. India was the second largest producer of rice in 2018.

Choose the correct answer from the options given below :

- 1. (A), (B) and (C) only
- 2. (A), (C) and (D) only
- 3. (B), (C) and (D) only
- 4. (A), (B) and (D) only

**Options :**

- 485584136361. 1
- 485584136362. 2
- 485584136363. 3
- 485584136364. 4

**Question Number : 187 Question Id : 48558434092 Question Type : MCQ Option Shuffling : No Is Question Mandatory : No Calculator : None Response Time : N.A Think Time : N.A Minimum Instruction Time : 0**

**Correct Marks : 5 Wrong Marks : 1**

**Question Key Details :**

Key	Value
Comprehension	MCQ

Read the following statements about tea Crop in India carefully.

- A. Tea is a plantation crop
- B. Tea leaves have rich content of caffeine and tannin
- C. Tea is an indigenous crop of India
- D. It is grown our undulating topography of hilly area

Choose the correct answer from the options given below :

- 1. (A), (B) and (C) only
- 2. (A), (B) and (D) only
- 3. (A), (C) and (D) only
- 4. (B), (C) and (D) only

**Options :**

485584136365. 1  
485584136366. 2  
485584136367. 3  
485584136368. 4

**Question Number : 188 Question Id : 48558434093 Question Type : MCQ Option Shuffling : No Is Question Mandatory : No Calculator : None Response Time : N.A Think Time : N.A Minimum Instruction Time : 0**

**Correct Marks : 5 Wrong Marks : 1**

**Question Key Details :**

Key	Value
Comprehension	MCQ

Read the following statements about Coal deposit in India carefully.

- A. About 80 per cent of the coal deposit in India is lignite type.
- B. The most important Gondwans Coal fields of India are located in Damodar Valley.
- C. Tharia is the largest coal field of India.
- D. Korba coal mining centre is located in West Bengal

Choose the correct answer from the options given below :

- 1. (A), (B) and (C) only
- 2. (A), (C) and (D) only
- 3. (A), (B) and (D) only
- 4. (B), (C) and (D) only

**Options :**

485584136369. 1  
485584136370. 2  
485584136371. 3  
485584136372. 4

**Question Number : 189 Question Id : 48558434094 Question Type : MCQ Option Shuffling : No Is Question Mandatory : No Calculator : None Response Time : N.A Think Time : N.A Minimum Instruction Time : 0**

**Correct Marks : 5 Wrong Marks : 1**

**Question Key Details :**

Key	Value
Comprehension	MCQ

Match List I with List II

LIST I (State)		LIST II (Total Literacy Rate 2011)	
A.	Bihar	I.	69.72
B.	Kerala	II.	87.40
C.	Goa	III.	93.91
D.	Uttar Pradesh	IV.	63.82

Choose the correct answer from the options given below:

1. (A)-(I), (B)-(II), (C)-(III), (D)-(IV)
2. (A)-(II), (B)-(IV), (C)-(I), (D)-(III)
3. (A)-(IV), (B)-(III), (C)-(II), (D)-(I)
4. (A)-(I), (B)-(III), (C)-(II), (D)-(IV)

**Options :**

485584136373. 1  
485584136374. 2  
485584136375. 3  
485584136376. 4

**Question Number : 190 Question Id : 48558434095 Question Type : MCQ Option Shuffling : No Is Question Mandatory : No Calculator : None Response Time : N.A Think Time : N.A Minimum Instruction Time : 0**

**Correct Marks : 5 Wrong Marks : 1**

**Question Key Details :**

Key	Value
Comprehension	MCQ

Match List I with List II

LIST I (Types to town)		LIST II (Examples)	
A.	Ancient Town	I.	Nagpur
B.	Medieval Town	II.	Gandhinagar
C.	Modern Town	III.	Madurai
D.	After Independence Town	IV.	Surat

Choose the correct answer from the options given below:

1. (A)-(III), (B)-(I), (C)-(II), (D)-(IV)
2. (A)-(I), (B)-(II), (C)-(IV), (D)-(III)
3. (A)-(III), (B)-(I), (C)-(IV), (D)-(II)
4. (A)-(I), (B)-(IV), (C)-(III), (D)-(II)

**Options :**

- 485584136377. 1
- 485584136378. 2
- 485584136379. 3
- 485584136380. 4

**Sub-Section Number :** 2  
**Sub-Section Id :** 4855842537  
**Question Shuffling Allowed :** No  
**Is Section Default? :** null

**Question Number : 191 Question Id : 48558434096 Question Type : MCQ Option Shuffling : No Is Question Mandatory : No Calculator : None Response Time : N.A Think Time : N.A Minimum Instruction Time : 0 Correct Marks : 5 Wrong Marks : 1**

**Question Key Details :**

Key	Value
Comprehension	Comp1

Read the given passage carefully and answer following question .

The Ruhr Coal field of Germany has been one of the major industrial regions of Europe for a long time. Coal and iron and steel formed the basis of the economy, but as the demand for coal declined, the industry started shrinking. Even after the iron ore was exhausted, the industry remained, using imported ore brought by waterways to the Ruhr.

The Ruhr region is responsible for 80 per cent of Germany’s total steel production. Changes in the industrial structure have led to the decay of some areas, and there are problems of industrial waste and pollution. The future prosperity of the Ruhr is based less on the products of coal and steel, for which it was initially famous, and more on the new industries like the huge Opel car assembly plant, new chemical plants, universities. Out-of-town shopping centres have appeared resulting in a ‘New Ruhr’ landscape.

The iron and steel industry forms the base of all other industries and, therefore, it is called a basic industry. It is basic because it provides raw material for other industries such as machine tools used for further production. It may also be called a heavy industry because it uses large quantities of bulky raw materials and its products are also heavy.

Iron is extracted from iron ore by smelting in a blast furnace with carbon (coke) and limestone. The molten iron is cooled and moulded to form pig iron which is used for converting into steel by adding strengthening materials manganese.

\_\_\_\_\_ and \_\_\_\_\_ formed the basis of the economy Ruhr region.

1. Coal, Petrochemical
2. Iron and Steel, coal
3. Iron and Steel, Cotton textile
4. Cotton textile and Petrochemical

**Options :**

- 485584136381. 1
- 485584136382. 2
- 485584136383. 3
- 485584136384. 4

**Question Number : 192 Question Id : 48558434097 Question Type : MCQ Option Shuffling : No Is Question Mandatory : No Calculator : None Response Time : N.A Think Time : N.A Minimum Instruction Time : 0**



Correct Marks : 5 Wrong Marks : 1

Question Key Details :

Key	Value
Comprehension	Comp1

Read the given passage carefully and answer following question .

The Ruhr Coal field of Germany has been one of the major industrial regions of Europe for a long time. Coal and iron and steel formed the basis of the economy, but as the demand for coal declined, the industry started shrinking. Even after the iron ore was exhausted, the industry remained, using imported ore brought by waterways to the Ruhr.

The Ruhr region is responsible for 80 per cent of Germany's total steel production. Changes in the industrial structure have led to the decay of some areas, and there are problems of industrial waste and pollution. The future prosperity of the Ruhr is based less on the products of coal and steel, for which it was initially famous, and more on the new industries like the huge Opel car assembly plant, new chemical plants, universities. Out-of-town shopping centres have appeared resulting in a 'New Ruhr' landscape.

The iron and steel industry forms the base of all other industries and, therefore, it is called a basic industry. It is basic because it provides raw material for other industries such as machine tools used for further production. It may also be called a heavy industry because it uses large quantities of bulky raw materials and its products are also heavy.

Iron is extracted from iron ore by smelting in a blast furnace with carbon (coke) and limestone. The molten iron is cooled and moulded to form pig iron which is used for converting into steel by adding strengthening materials manganese.

Ruhr region contribute \_\_\_\_\_ of Germany's total steel production.

1. 73%
2. 77%
3. 80%
4. 83%

Options :

- 485584136385. 1
- 485584136386. 2
- 485584136387. 3
- 485584136388. 4

Question Number : 193 Question Id : 48558434098 Question Type : MCQ Option Shuffling : No Is Question Mandatory : No Calculator : None Response Time : N.A Think Time : N.A Minimum Instruction Time : 0

Correct Marks : 5 Wrong Marks : 1

Question Key Details :

Key	Value
Comprehension	Comp1

Read the given passage carefully and answer following question .

The Ruhr Coal field of Germany has been one of the major industrial regions of Europe for a long time. Coal and iron and steel formed the basis of the economy, but as the demand for coal declined, the industry started shrinking. Even after the iron ore was exhausted, the industry remained, using imported ore brought by waterways to the Ruhr.

The Ruhr region is responsible for 80 per cent of Germany's total steel production. Changes in the industrial structure have led to the decay of some areas, and there are problems of industrial waste and pollution. The future prosperity of the Ruhr is based less on the products of coal and steel, for which it was initially famous, and more on the new industries like the huge Opel car assembly plant, new chemical plants, universities. Out-of-town shopping centres have appeared resulting in a 'New Ruhr' landscape.

The iron and steel industry forms the base of all other industries and, therefore, it is called a basic industry. It is basic because it provides raw material for other industries such as machine tools used for further production. It may also be called a heavy industry because it uses large quantities of bulky raw materials and its products are also heavy.

Iron is extracted from iron ore by smelting in a blast furnace with carbon (coke) and limestone. The molten iron is cooled and moulded to form pig iron which is used for converting into steel by adding strengthening materials manganese.

The assembly of \_\_\_\_\_ car is done in the Ruhr region of Germany.

1. Opel
2. Napel
3. Napthel
4. Onthel

**Options :**

485584136389. 1  
485584136390. 2  
485584136391. 3  
485584136392. 4

**Question Number : 194 Question Id : 48558434099 Question Type : MCQ Option Shuffling : No Is Question Mandatory : No Calculator : None Response Time : N.A Think Time : N.A Minimum Instruction Time : 0**

**Correct Marks : 5 Wrong Marks : 1**

**Question Key Details :**

Key	Value
Comprehension	Compl

Read the given passage carefully and answer following question .

The Ruhr Coal field of Germany has been one of the major industrial regions of Europe for a long time. Coal and iron and steel formed the basis of the economy, but as the demand for coal declined, the industry started shrinking. Even after the iron ore was exhausted, the industry remained, using imported ore brought by waterways to the Ruhr.

The Ruhr region is responsible for 80 per cent of Germany's total steel production. Changes in the industrial structure have led to the decay of some areas, and there are problems of industrial waste and pollution. The future prosperity of the Ruhr is based less on the products of coal and steel, for which it was initially famous, and more on the new industries like the huge Opel car assembly plant, new chemical plants, universities. Out-of-town shopping centres have appeared resulting in a 'New Ruhr' landscape.

The iron and steel industry forms the base of all other industries and, therefore, it is called a basic industry. It is basic because it provides raw material for other industries such as machine tools used for further production. It may also be called a heavy industry because it uses large quantities of bulky raw materials and its products are also heavy.

Iron is extracted from iron ore by smelting in a blast furnace with carbon (coke) and limestone. The molten iron is cooled and moulded to form pig iron which is used for converting into steel by adding strengthening materials manganese.

Iron and Steel industry is called \_\_\_\_\_ industry.

1. Basic
2. Secondary
3. Tertiary
4. Quaternary

**Options :**

485584136393. 1  
485584136394. 2  
485584136395. 3  
485584136396. 4

**Question Number : 195 Question Id : 48558434100 Question Type : MCQ Option Shuffling : No Is Question Mandatory : No Calculator : None Response Time : N.A Think Time : N.A Minimum Instruction Time : 0**

**Correct Marks : 5 Wrong Marks : 1**

**Question Key Details :**

Key	Value
Comprehension	Comp1

Read the given passage carefully and answer following question .

The Ruhr Coal field of Germany has been one of the major industrial regions of Europe for a long time. Coal and iron and steel formed the basis of the economy, but as the demand for coal declined, the industry started shrinking. Even after the iron ore was exhausted, the industry remained, using imported ore brought by waterways to the Ruhr.

The Ruhr region is responsible for 80 per cent of Germany's total steel production. Changes in the industrial structure have led to the decay of some areas, and there are problems of industrial waste and pollution. The future prosperity of the Ruhr is based less on the products of coal and steel, for which it was initially famous, and more on the new industries like the huge Opel car assembly plant, new chemical plants, universities. Out-of-town shopping centres have appeared resulting in a 'New Ruhr' landscape.

The iron and steel industry forms the base of all other industries and, therefore, it is called a basic industry. It is basic because it provides raw material for other industries such as machine tools used for further production. It may also be called a heavy industry because it uses large quantities of bulky raw materials and its products are also heavy.

Iron is extracted from iron ore by smelting in a blast furnace with carbon (coke) and limestone. The molten iron is cooled and moulded to form pig iron which is used for converting into steel by adding strengthening materials manganese.

\_\_\_\_\_ is added to strengthen the material for making steel.

1. Mica
2. Limestone
3. Coke
4. Manganese

**Options :**

485584136397. 1  
485584136398. 2  
485584136399. 3  
485584136400. 4

**Sub-Section Number :** 3  
**Sub-Section Id :** 4855842538  
**Question Shuffling Allowed :** No  
**Is Section Default? :** null

**Question Number : 196 Question Id : 48558434101 Question Type : MCQ Option Shuffling : No Is Question Mandatory : No Calculator : None Response Time : N.A Think Time : N.A Minimum Instruction Time : 0**

**Correct Marks : 5 Wrong Marks : 1**

**Question Key Details :**

Key	Value
Comprehension	Comp2

Study the given table carefully and answer the following question:

Composition of India's Export, 2009-2017

(Percentage share in Exports)

Commodities	2009-10	2010-11	2015-16	2016-17
Agriculture and allied products	10.0	9.9	12.6	12.3
Ore and Minerals	4.9	4.0	1.6	1.9
Manufactured goods	67.4	68.0	72.9	73.6
Crude and petroleum products	16.2	16.8	11.9	11.7
Other Commodities	1.5	1.2	1.1	0.5

How many of the following export commodities are showing an increasing trend between 2015 - 16 to 2016 - 17 ?

1. 1
2. 2
3. 3
4. 4

**Options :**

485584136401. 1  
485584136402. 2  
485584136403. 3  
485584136404. 4

**Question Number : 197 Question Id : 48558434102 Question Type : MCQ Option Shuffling : No Is Question Mandatory : No Calculator : None Response Time : N.A Think Time : N.A Minimum Instruction Time : 0**

**Correct Marks : 5 Wrong Marks : 1**

**Question Key Details :**

Key	Value
Comprehension	Comp2

Study the given table carefully and answer the following question:

Composition of India's Export, 2009-2017

(Percentage share in Exports)

Commodities	2009-10	2010-11	2015-16	2016-17
Agriculture and allied products	10.0	9.9	12.6	12.3
Ore and Minerals	4.9	4.0	1.6	1.9
Manufactured goods	67.4	68.0	72.9	73.6
Crude and petroleum products	16.2	16.8	11.9	11.7
Other Commodities	1.5	1.2	1.1	0.5

In 2015 - 16, if agriculture and allied products and manufactured goods percentages are added, it would be \_\_\_\_\_.

1. 84.5%
2. 85.0%
3. 85.5%
4. 86.0%

**Options :**

485584136405. 1  
485584136406. 2  
485584136407. 3  
485584136408. 4

**Question Number : 198 Question Id : 48558434103 Question Type : MCQ Option Shuffling : No Is Question Mandatory : No Calculator : None Response Time : N.A Think Time : N.A Minimum Instruction Time : 0**

**Correct Marks : 5 Wrong Marks : 1**

**Question Key Details :**

Key	Value
Comprehension	Comp2

Study the given table carefully and answer the following question:

Composition of India's Export, 2009-2017

(Percentage share in Exports)

Commodities	2009-10	2010-11	2015-16	2016-17
Agriculture and allied products	10.0	9.9	12.6	12.3
Ore and Minerals	4.9	4.0	1.6	1.9
Manufactured goods	67.4	68.0	72.9	73.6
Crude and petroleum products	16.2	16.8	11.9	11.7
Other Commodities	1.5	1.2	1.1	0.5

Which of the following export commodities registered increasing trends from 2009 - 10 to 2010 - 11 ?

1. Ore and minerals and manufactured
2. Agriculture and allied product and crude and petroleum products
3. Manufactured goods and other commodities
4. Manufactured goods and crud and petroleum products

**Options :**

485584136409. 1  
485584136410. 2  
485584136411. 3

**Question Number : 199 Question Id : 48558434104 Question Type : MCQ Option Shuffling : No Is Question Mandatory : No Calculator : None Response Time : N.A Think Time : N.A Minimum Instruction Time : 0**

**Correct Marks : 5 Wrong Marks : 1**

**Question Key Details :**

Key	Value
Comprehension	Comp2

Study the given table carefully and answer the following question:

Composition of India's Export, 2009-2017

(Percentage share in Exports)

Commodities	2009-10	2010-11	2015-16	2016-17
Agriculture and allied products	10.0	9.9	12.6	12.3
Ore and Minerals	4.9	4.0	1.6	1.9
Manufactured goods	67.4	68.0	72.9	73.6
Crude and petroleum products	16.2	16.8	11.9	11.7
Other Commodities	1.5	1.2	1.1	0.5

Percentage increase in manufactured goods from 2010 - 11 to 2015 - 16 is reported by which one of the following ?

1. 1.9%
2. 2.9%
3. 3.9%
4. 4.9%

**Options :**

485584136413. 1  
485584136414. 2  
485584136415. 3  
485584136416. 4

**Question Number : 200 Question Id : 48558434105 Question Type : MCQ Option Shuffling : No Is Question Mandatory : No Calculator : None Response Time : N.A Think Time : N.A Minimum Instruction Time : 0**

**Correct Marks : 5 Wrong Marks : 1**

**Question Key Details :**

Key	Value
Comprehension	Comp2

Study the given table carefully and answer the following question:

Composition of India's Export, 2009-2017

(Percentage share in Exports)

Commodities	2009-10	2010-11	2015-16	2016-17
Agriculture and allied products	10.0	9.9	12.6	12.3
Ore and Minerals	4.9	4.0	1.6	1.9
Manufactured goods	67.4	68.0	72.9	73.6
Crude and petroleum products	16.2	16.8	11.9	11.7
Other Commodities	1.5	1.2	1.1	0.5

The highest difference in percentage between, 2010 - 11 to 2015 - 16 is associated with which of the following categories ?

1. Agriculture and allied products
2. Ore and Minerals
3. Manufactured goods
4. Other Commodities

**Options :**

485584136417. 1  
485584136418. 2  
485584136419. 3  
485584136420. 4

## History

Group Number :	10
Group Id :	485584777
Group Maximum Duration :	45
Group Minimum Duration :	45
Show Attended Group? :	No
Edit Attended Group? :	No
Break time :	0
Group Marks :	200
Is this Group for Examiner? :	No
Examiner permission :	Cant View
Show Progress Bar? :	No

## History

Section Id :	485584895
Section Number :	1
Section type :	Online
Mandatory or Optional :	Mandatory



Number of Questions : 50  
Number of Questions to be attempted : 40  
Section Marks : 200  
Enable Mark as Answered Mark for Review and Clear Response : Yes  
Maximum Instruction Time : 0  
Sub-Section Number : 1  
Sub-Section Id : 4855842539  
Question Shuffling Allowed : Yes  
Is Section Default? : null

Question Number : 201 Question Id : 48558434156 Question Type : MCQ Option Shuffling : No Is Question Mandatory : No Calculator : None Response Time : N.A Think Time : N.A Minimum Instruction Time : 0

Correct Marks : 5 Wrong Marks : 1

Question Key Details :

Key	Value
Comprehension	MCQ

Which of the following is **NOT True** of the 'Objectives Resolution'?

1. It proclaimed India to be an 'Independent Sovereign Republic'.
2. It guaranteed its citizens justice, equality and freedom.
3. Nehru located history of Constitution-making in India within a longer history of struggle for liberty and freedom.
4. The ideas and provisions of the Constitution introduced in India could be derived colonial past.

Options :

485584136621. 1  
485584136622. 2  
485584136623. 3  
485584136624. 4

Question Number : 202 Question Id : 48558434157 Question Type : MCQ Option Shuffling : No Is Question Mandatory : No Calculator : None Response Time : N.A Think Time : N.A Minimum Instruction Time : 0

Correct Marks : 5 Wrong Marks : 1

Question Key Details :

Key	Value
Comprehension	MCQ

The 'Constituent Assembly' was composed of how many members?

1. 250
2. 120
3. 300
4. 522

Options :

485584136625. 1  
485584136626. 2

485584136627. 3

485584136628. 4

**Question Number : 203 Question Id : 48558434158 Question Type : MCQ Option Shuffling : No Is Question Mandatory : No Calculator : None Response Time : N.A Think Time : N.A Minimum Instruction Time : 0**

**Correct Marks : 5 Wrong Marks : 1**

**Question Key Details :**

Key	Value
Comprehension	MCQ

The 'Great Calcutta Killings' took place in which year?

1. 1946

2. 1945

3. 1947

4. 1943

**Options :**

485584136629. 1

485584136630. 2

485584136631. 3

485584136632. 4

**Question Number : 204 Question Id : 48558434159 Question Type : MCQ Option Shuffling : No Is Question Mandatory : No Calculator : None Response Time : N.A Think Time : N.A Minimum Instruction Time : 0**

**Correct Marks : 5 Wrong Marks : 1**

**Question Key Details :**

Key	Value
Comprehension	MCQ

Which Governor General adopted policies that abolished 'Sati'?

1. Henry Hardings

2. William Bentinck

3. Canning

4. Dalhousie

**Options :**

485584136633. 1

485584136634. 2

485584136635. 3

485584136636. 4

**Question Number : 205 Question Id : 48558434160 Question Type : MCQ Option Shuffling : No Is Question Mandatory : No Calculator : None Response Time : N.A Think Time : N.A Minimum Instruction Time : 0**

**Correct Marks : 5 Wrong Marks : 1**

**Question Key Details :**

Key	Value
-----	-------

Comprehension	MCQ
---------------	-----

Who wrote one of the earliest histories of the Uprising of 1857?

1. Francis Grant
2. Captain Hearsey
3. Charles Ball
4. Colin Campbell

**Options :**

485584136637. 1  
485584136638. 2  
485584136639. 3  
485584136640. 4

**Question Number : 206 Question Id : 48558434161 Question Type : MCQ Option Shuffling : No Is Question Mandatory : No Calculator : None Response Time : N.A Think Time : N.A Minimum Instruction Time : 0**

**Correct Marks : 5 Wrong Marks : 1**

**Question Key Details :**

Key	Value
Comprehension	MCQ

Which region was known as the 'nursery of the Bengal Army' as many sepoys were recruited from the region?

1. Jhansi
2. Satara
3. Awadh
4. Delhi

**Options :**

485584136641. 1  
485584136642. 2  
485584136643. 3  
485584136644. 4

**Question Number : 207 Question Id : 48558434162 Question Type : MCQ Option Shuffling : No Is Question Mandatory : No Calculator : None Response Time : N.A Think Time : N.A Minimum Instruction Time : 0**

**Correct Marks : 5 Wrong Marks : 1**

**Question Key Details :**

Key	Value
Comprehension	MCQ

Where was the 'Summary Settlement' of 1856 imposed?

1. Jhansi
2. Bengal
3. Kanpur
4. Awadh

**Options :**

485584136645. 1  
485584136646. 2  
485584136647. 3  
485584136648. 4

**Question Number : 208 Question Id : 48558434163 Question Type : MCQ Option Shuffling : No Is Question Mandatory : No Calculator : None Response Time : N.A Think Time : N.A Minimum Instruction Time : 0**

**Correct Marks : 5 Wrong Marks : 1**

**Question Key Details :**

Key	Value
Comprehension	MCQ

Who went around mobilising the headman and cultivators of Chaurasee des (eighty-four villages) in 1857?

1. Maului Ahmadullah Shah
2. Henry Lawrence
3. Hanwant Singh
4. Shah Mal

**Options :**

485584136649. 1  
485584136650. 2  
485584136651. 3  
485584136652. 4

**Question Number : 209 Question Id : 48558434164 Question Type : MCQ Option Shuffling : No Is Question Mandatory : No Calculator : None Response Time : N.A Think Time : N.A Minimum Instruction Time : 0**

**Correct Marks : 5 Wrong Marks : 1**

**Question Key Details :**

Key	Value
Comprehension	MCQ

Colonial rule was first established in which part of India?

1. Bombay
2. Madras
3. Bengal
4. Punjab

**Options :**

485584136653. 1  
485584136654. 2  
485584136655. 3  
485584136656. 4

**Question Number : 210 Question Id : 48558434165 Question Type : MCQ Option Shuffling : No Is Question Mandatory : No Calculator : None Response Time : N.A Think Time : N.A Minimum Instruction Time : 0**

**Correct Marks : 5 Wrong Marks : 1**

**Question Key Details :**

Key	Value
Comprehension	MCQ

Colonial officials were strongly influenced by the ideas of which British economic thinker in 19th-century?

1. Adam Smith
2. J. M. Keynes
3. David Ricardo
4. Thomas Paine

**Options :**

485584136657. 1  
485584136658. 2  
485584136659. 3  
485584136660. 4

**Question Number : 211 Question Id : 48558434166 Question Type : MCQ Option Shuffling : No Is Question Mandatory : No Calculator : None Response Time : N.A Think Time : N.A Minimum Instruction Time : 0**

**Correct Marks : 5 Wrong Marks : 1**

**Question Key Details :**

Key	Value
Comprehension	MCQ

Where was Satyajit Ray's 'Jalsaghar' filmed?

1. Andul Raj Palace
2. City Palace
3. Rajmahal
4. Jangal Mahal

**Options :**

485584136661. 1  
485584136662. 2  
485584136663. 3  
485584136664. 4

**Question Number : 212 Question Id : 48558434167 Question Type : MCQ Option Shuffling : No Is Question Mandatory : No Calculator : None Response Time : N.A Think Time : N.A Minimum Instruction Time : 0**

**Correct Marks : 5 Wrong Marks : 1**

**Question Key Details :**

Key	Value
Comprehension	MCQ

Who wrote 'Char Chaman': describing the Mughal nobility?

1. Chandrabahan Barahman
2. Antonio Monserrate
3. Abu'l Hasan
4. Muhammad Husayn

**Options :**

485584136665. 1  
485584136666. 2  
485584136667. 3  
485584136668. 4

**Question Number : 213 Question Id : 48558434168 Question Type : MCQ Option Shuffling : No Is Question Mandatory : No Calculator : None Response Time : N.A Think Time : N.A Minimum Instruction Time : 0**

**Correct Marks : 5 Wrong Marks : 1**

**Question Key Details :**

Key	Value
Comprehension	MCQ

Which chronicle was gifted by Nawab of Awadh to King George III in 1799.

1. Akbarnama
2. Shahjahan Nama
3. Badshah Nama
4. Alamgir Nama

**Options :**

485584136669. 1  
485584136670. 2  
485584136671. 3  
485584136672. 4

**Question Number : 214 Question Id : 48558434169 Question Type : MCQ Option Shuffling : No Is Question Mandatory : No Calculator : None Response Time : N.A Think Time : N.A Minimum Instruction Time : 0**

**Correct Marks : 5 Wrong Marks : 1**

**Question Key Details :**

Key	Value
Comprehension	MCQ

What was the meaning of 'Jangama' in 12th-century Karnataka?

1. Sayings
2. Wandering Monks
3. Incarnations
4. Four Thousand Sacred Compositions

**Options :**

485584136673. 1  
485584136674. 2  
485584136675. 3  
485584136676. 4

**Question Number : 215 Question Id : 48558434170 Question Type : MCQ Option Shuffling : No Is Question Mandatory : No Calculator : None Response Time : N.A Think Time : N.A Minimum Instruction Time : 0**

**Correct Marks : 5 Wrong Marks : 1**

**Question Key Details :**

Key	Value
Comprehension	MCQ

'Kabir Granthavali' is associated with which of the following traditions?

1. Kabirpanth in Varanasi
2. Dadupanth in Rajasthan
3. Kabirpanth in Bengal
4. Kabirvani in Adi Granth Sahib

**Options :**

485584136677. 1  
485584136678. 2  
485584136679. 3  
485584136680. 4

**Question Number : 216 Question Id : 48558434171 Question Type : MCQ Option Shuffling : No Is Question Mandatory : No Calculator : None Response Time : N.A Think Time : N.A Minimum Instruction Time : 0**

**Correct Marks : 5 Wrong Marks : 1**

**Question Key Details :**

Key	Value
Comprehension	MCQ

'Malfuzat' an important source for constructing history is \_\_\_\_\_.

1. A record of conversations of sufi saints.
2. A record of agrarian tax.
3. A record of kings announcement.
4. A collection of letters written by sufi saints.

**Options :**

485584136681. 1  
485584136682. 2  
485584136683. 3  
485584136684. 4

**Question Number : 217 Question Id : 48558434172 Question Type : MCQ Option Shuffling : No Is Question Mandatory : No Calculator : None Response Time : N.A Think Time : N.A Minimum Instruction Time : 0**

**Correct Marks : 5 Wrong Marks : 1**

**Question Key Details :**

Key	Value
Comprehension	MCQ



Who described Mughal cities of the 17th-century as 'Camp Towns'?

1. Francois Bernier
2. Pelsaert
3. Abu'l Fazl
4. Karl Marx

**Options :**

485584136685. 1  
485584136686. 2  
485584136687. 3  
485584136688. 4

**Question Number : 218 Question Id : 48558434173 Question Type : MCQ Option Shuffling : No Is Question Mandatory : No Calculator : None Response Time : N.A Think Time : N.A Minimum Instruction Time : 0**

**Correct Marks : 5 Wrong Marks : 1**

**Question Key Details :**

Key	Value
Comprehension	MCQ

Who among the following were known as 'materialists' in Sixth BCE India.

1. Ajivikas
2. Lokayatas
3. Buddhists
4. Jains

**Options :**

485584136689. 1  
485584136690. 2  
485584136691. 3  
485584136692. 4

**Question Number : 219 Question Id : 48558434174 Question Type : MCQ Option Shuffling : No Is Question Mandatory : No Calculator : None Response Time : N.A Think Time : N.A Minimum Instruction Time : 0**

**Correct Marks : 5 Wrong Marks : 1**

**Question Key Details :**

Key	Value
Comprehension	MCQ

Which amongst the following is another name for the 'Buddha'?

1. Tirthankara
2. Theragatha
3. Theravadva
4. Tathagatha

**Options :**

485584136693. 1  
485584136694. 2  
485584136695. 3  
485584136696. 4

**Question Number : 220 Question Id : 48558434175 Question Type : MCQ Option Shuffling : No Is Question Mandatory : No Calculator : None Response Time : N.A Think Time : N.A Minimum Instruction Time : 0**

**Correct Marks : 5 Wrong Marks : 1**

**Question Key Details :**

Key	Value
Comprehension	MCQ

Who was the first women to be ordained as a 'Bhikkhuni'?

1. Yasodhara
2. Purna
3. Radha
4. Mahapajapati Gotami

**Options :**

485584136697. 1  
485584136698. 2  
485584136699. 3  
485584136700. 4

**Question Number : 221 Question Id : 48558434176 Question Type : MCQ Option Shuffling : No Is Question Mandatory : No Calculator : None Response Time : N.A Think Time : N.A Minimum Instruction Time : 0**

**Correct Marks : 5 Wrong Marks : 1**

**Question Key Details :**

Key	Value
Comprehension	MCQ

Which of the following suggests that many people who turned to buddhists enriched it with their own Pre-Buddhist beliefs, practices and ideas?

1. Wheel of Dharma
2. Jataka Scenes
3. Shalabhanjika
4. Mahaparinibbana

**Options :**

485584136701. 1  
485584136702. 2  
485584136703. 3  
485584136704. 4

**Question Number : 222 Question Id : 48558434177 Question Type : MCQ Option Shuffling : No Is Question Mandatory : No Calculator : None Response Time : N.A Think Time : N.A Minimum Instruction Time : 0**

**Correct Marks : 5 Wrong Marks : 1**

**Question Key Details :**

Key	Value
Comprehension	MCQ

Who led a team of dozen scholars in collecting Sanskrit manuscripts and preparing a critical edition of the 'Mahabharata'?

1. V. S. Wakankar
2. B. B. Lal
3. V. S. Sukthankar
4. V. A. Smith

**Options :**

485584136705. 1  
485584136706. 2  
485584136707. 3  
485584136708. 4

**Question Number : 223 Question Id : 48558434178 Question Type : MCQ Option Shuffling : No Is Question Mandatory : No Calculator : None Response Time : N.A Think Time : N.A Minimum Instruction Time : 0**

**Correct Marks : 5 Wrong Marks : 1**

**Question Key Details :**

Key	Value
Comprehension	MCQ

Asokan inscriptions in the North-West of the subcontinent were written in which of the following languages?

1. Prakrit
2. Pali
3. Aramaic
4. Arad-Magadhi

**Options :**

485584136709. 1  
485584136710. 2  
485584136711. 3  
485584136712. 4

**Question Number : 224 Question Id : 48558434179 Question Type : MCQ Option Shuffling : No Is Question Mandatory : No Calculator : None Response Time : N.A Think Time : N.A Minimum Instruction Time : 0**

**Correct Marks : 5 Wrong Marks : 1**

**Question Key Details :**

Key	Value
Comprehension	MCQ

Which of the following time period is related to the emergence of early states in Indian history?

1. First Century BCE
2. Sixth Century BCE
3. Eighth Century BCE
4. Tenth Century BCE

**Options :**

485584136713. 1  
485584136714. 2  
485584136715. 3  
485584136716. 4

**Question Number : 225 Question Id : 48558434180 Question Type : MCQ Option Shuffling : No Is Question Mandatory : No Calculator : None Response Time : N.A Think Time : N.A Minimum Instruction Time : 0**

**Correct Marks : 5 Wrong Marks : 1**

**Question Key Details :**

Key	Value
Comprehension	MCQ

The 'Prayag Prashasti' was composed by the court poet of which of the following kings?

1. Chandragupta
2. Chandragupta Vikramaditya
3. Samudragupta
4. Skandagupta

**Options :**

485584136717. 1  
485584136718. 2  
485584136719. 3  
485584136720. 4

**Question Number : 226 Question Id : 48558434181 Question Type : MCQ Option Shuffling : No Is Question Mandatory : No Calculator : None Response Time : N.A Think Time : N.A Minimum Instruction Time : 0**

**Correct Marks : 5 Wrong Marks : 1**

**Question Key Details :**

Key	Value
Comprehension	MCQ

Nageshwar and Balakot settlement near the coast in the Harappan Civilisation served as \_\_\_\_\_.

1. Sources of Carnelian
2. Sources of Lapis Lazuli
3. Centre of shell production
4. Sources of gold

**Options :**

485584136721. 1  
485584136722. 2  
485584136723. 3  
485584136724. 4

**Question Number : 227 Question Id : 48558434182 Question Type : MCQ Option Shuffling : No Is Question Mandatory : No Calculator : None Response Time : N.A Think Time : N.A Minimum Instruction Time : 0**

**Correct Marks : 5 Wrong Marks : 1**

**Question Key Details :**

Key	Value
Comprehension	MCQ

Evidence of a ploughed field comes from which of the following Harrapan site?

1. Cholistan
2. Amri-Nal
3. Kalibangan
4. Harappa

**Options :**

485584136725. 1  
485584136726. 2  
485584136727. 3  
485584136728. 4

**Question Number : 228 Question Id : 48558434183 Question Type : MCQ Option Shuffling : No Is Question Mandatory : No Calculator : None Response Time : N.A Think Time : N.A Minimum Instruction Time : 0**

**Correct Marks : 5 Wrong Marks : 1**

**Question Key Details :**

Key	Value
Comprehension	MCQ

Match List I with List II:

LIST I		LIST II	
A.	Dakshyani Velayudhan	I.	Hindustani as language of nation
B.	Hansa Mehta	II.	Removal of social disabilities
C.	R. V. Dhulekar	III.	Justice for women
D.	Shankarrao Deo	IV.	Hindi as national language

Choose the **correct** answer from the options given below:

1. A-II, B-IV, C-I, D-III
2. A-II, B-III, C-IV, D-I
3. A-I, B-II, C-III, D-IV
4. A-I, B-III, C-IV, D-II

**Options :**

485584136729. 1  
485584136730. 2  
485584136731. 3  
485584136732. 4

**Question Number : 229 Question Id : 48558434184 Question Type : MCQ Option Shuffling : No Is Question Mandatory : No Calculator : None Response Time : N.A Think Time : N.A Minimum Instruction Time : 0**

**Correct Marks : 5 Wrong Marks : 1**

**Question Key Details :**

Key	Value
-----	-------

Match List I with List II:

LIST I		LIST II	
A.	Nageshwar	I.	Steatite
B.	Lothal	II.	Lapis Lazuli
C.	Gujarat	III.	Carnelian
D.	Shortughai	IV.	Shell

Choose the **correct** answer from the options given below:

1. A-IV, B-III, C-I, D-II
2. A-I, B-III, C-IV, D-II
3. A-II, B-I, C-IV, D-III
4. A-IV, B-III, C-I, D-II

**Options :**

485584136733. 1  
 485584136734. 2  
 485584136735. 3  
 485584136736. 4

**Question Number : 230 Question Id : 48558434185 Question Type : MCQ Option Shuffling : No Is Question Mandatory : No Calculator : None Response Time : N.A Think Time : N.A Minimum Instruction Time : 0**

**Correct Marks : 5 Wrong Marks : 1**

**Question Key Details :**

Key	Value
Comprehension	MCQ

Match List I with List II:

LIST I		LIST II	
A.	Jesuit	I.	Jean-Baptiste Tavernier
B.	French Jeweller	II.	Danishmand Khan
C.	Italian Doctor	III.	Roberto Nobili
D.	Armenian Noble	IV.	Manucci

Choose the **correct** answer from the options given below:

1. A-IV, B-II, C-I, D-III
2. A-III, B-I, C-II, D-IV
3. A-IV, B-I, C-II, D-III
4. A-III, B-I, C-IV, D-II

**Options :**

- 485584136737. 1
- 485584136738. 2
- 485584136739. 3
- 485584136740. 4

**Question Number : 231 Question Id : 48558434186 Question Type : MCQ Option Shuffling : No Is Question Mandatory : No Calculator : None Response Time : N.A Think Time : N.A Minimum Instruction Time : 0**

**Correct Marks : 5 Wrong Marks : 1**

**Question Key Details :**

Key	Value
Comprehension	MCQ

Match List I with List II:

LIST I		LIST II	
A.	Bargadar	I.	Powerful Zamindar
B.	Raja	II.	Sharecropper
C.	Diku	III.	Strongman of a Zamindar
D.	Lathyal	IV.	Moneylender

Choose the **correct** answer from the options given below:

1. A-I, B-IV, C-II, D-III
2. A-IV, B-II, C-III, D-I
3. A-II, B-I, C-IV, D-III
4. A-IV, B-I, C-II, D-III

**Options :**

- 485584136741. 1
- 485584136742. 2
- 485584136743. 3
- 485584136744. 4

**Question Number : 232 Question Id : 48558434187 Question Type : MCQ Option Shuffling : No Is Question Mandatory : No Calculator : None Response Time : N.A Think Time : N.A Minimum Instruction Time : 0**

**Correct Marks : 5 Wrong Marks : 1**

**Question Key Details :**

Key	Value
Comprehension	MCQ



Which of the following statements are **True** for the Harappan script?

- A. It contains around 400 signs.
- B. It was written from right to left.
- C. It has been deciphered.
- D. It is alphabetical.

Choose the **correct** answer from the options given below:

- 1. A, D only
- 2. A, B only
- 3. B, C only
- 4. B, D only

**Options :**

- 485584136745. 1
- 485584136746. 2
- 485584136747. 3
- 485584136748. 4

**Question Number : 233 Question Id : 48558434188 Question Type : MCQ Option Shuffling : No Is Question Mandatory : No Calculator : None Response Time : N.A Think Time : N.A Minimum Instruction Time : 0**

**Correct Marks : 5 Wrong Marks : 1**

**Question Key Details :**

Key	Value
Comprehension	MCQ

Which of the following terms are used for 'peasants' in Indo-Persian sources?

- A. Raiyat
- B. Muzarian
- C. Do-Fasla
- D. Jins-i-Kamil

Choose the **correct** answer from the options given below:

- 1. A, B only
- 2. B, C only
- 3. A, C only
- 4. C, D only

**Options :**

- 485584136749. 1
- 485584136750. 2
- 485584136751. 3
- 485584136752. 4

**Question Number : 234 Question Id : 48558434189 Question Type : MCQ Option Shuffling : No Is Question Mandatory : No Calculator : None Response Time : N.A Think Time : N.A Minimum Instruction Time : 0**

**Correct Marks : 5 Wrong Marks : 1**

**Question Key Details :**

Key	Value
Comprehension	MCQ

Which of the following were part of the recommendations made by the Constituent Assembly?

- A. Seats in legislature and jobs in government offices be reserved for the lowest caste.
- B. Separate electorates for Depressed Classes.
- C. Hindu temples be thrown open to all castes.
- D. Permanently segregate them from the society.

Choose the **correct** answer from the options given below:

- 1. A, B only
- 2. B, C only
- 3. A, C only
- 4. C, D only

**Options :**

- 485584136753. 1
- 485584136754. 2
- 485584136755. 3
- 485584136756. 4

**Question Number : 235 Question Id : 48558434190 Question Type : MCQ Option Shuffling : No Is Question Mandatory : No Calculator : None Response Time : N.A Think Time : N.A Minimum Instruction Time : 0**

**Correct Marks : 5 Wrong Marks : 1**

**Question Key Details :**

Key	Value
Comprehension	MCQ

Which of the following sites was of late Harappan occupation?

- A. Sutkagendor
- B. Swat
- C. Jhukar
- D. Shortughai

Choose the **correct** answer from the options given below:

- 1. A, D only
- 2. C, D only
- 3. B, C only
- 4. C, A only

**Options :**

485584136757. 1  
485584136758. 2  
485584136759. 3  
485584136760. 4

**Question Number : 236 Question Id : 48558434191 Question Type : MCQ Option Shuffling : No Is Question Mandatory : No Calculator : None Response Time : N.A Think Time : N.A Minimum Instruction Time : 0**

**Correct Marks : 5 Wrong Marks : 1**

**Question Key Details :**

Key	Value
Comprehension	MCQ

Arrange the following in a chronological order according to the year of formation.

- A. All-India Muslim League
- B. Hindu Mahasabha
- C. 1937 Provincial Elections
- D. Lucknow Pact

Choose the **correct** answer from the options given below:

- 1. A, B, C, D
- 2. A, B, D, C
- 3. B, A, D, C
- 4. D, C, B, A

**Options :**

485584136761. 1  
485584136762. 2  
485584136763. 3  
485584136764. 4

**Question Number : 237 Question Id : 48558434192 Question Type : MCQ Option Shuffling : No Is Question Mandatory : No Calculator : None Response Time : N.A Think Time : N.A Minimum Instruction Time : 0**

**Correct Marks : 5 Wrong Marks : 1**

**Question Key Details :**

Key	Value
Comprehension	MCQ

Arrange the following sequentially as per their period of establishment.

- A. Setting up of Supreme Court, Calcutta.
- B. Universities in Bombay, Madras, Calcutta.
- C. Formation of the Asiatic Society in Bengal.
- D. The British in Bombay.

Choose the **correct** answer from the options given below:

- 1. C, B, D, A
- 2. C, B, A, D
- 3. D, A, C, B
- 4. B, C, A, D

**Options :**

- 485584136765. 1
- 485584136766. 2
- 485584136767. 3
- 485584136768. 4

**Question Number : 238 Question Id : 48558434193 Question Type : MCQ Option Shuffling : No Is Question Mandatory : No Calculator : None Response Time : N.A Think Time : N.A Minimum Instruction Time : 0**

**Correct Marks : 5 Wrong Marks : 1**

**Question Key Details :**

Key	Value
Comprehension	MCQ

Arrange the following in a hierarchal order in context of British India Company Rule.

- A. Ryots
- B. Jotedars
- C. The Permanent Settlement
- D. Zamindar

Choose the **correct** answer from the options given below:

- 1. C, B, A, D
- 2. D, B, C, A
- 3. C, D, B, A
- 4. A, C, B, A

**Options :**

- 485584136769. 1
- 485584136770. 2
- 485584136771. 3
- 485584136772. 4

**Question Number : 239 Question Id : 48558434194 Question Type : MCQ Option Shuffling : No Is Question Mandatory : No Calculator : None Response Time : N.A Think Time : N.A Minimum Instruction Time : 0**

**Correct Marks : 5 Wrong Marks : 1**

**Question Key Details :**

Key	Value
Comprehension	MCQ

Arrange the following sequentially according to their period of completion.

- A. Alamgir Nama
- B. Badshah Nama
- C. Akbar Nama
- D. Humayun Nama

Choose the **correct** answer from the options given below:

- 1. C, D, B, A
- 2. D, C, A, B
- 3. C, D, A, B
- 4. A, D, C, B

**Options :**

- 485584136773. 1
- 485584136774. 2
- 485584136775. 3
- 485584136776. 4

**Question Number : 240 Question Id : 48558434195 Question Type : MCQ Option Shuffling : No Is Question Mandatory : No Calculator : None Response Time : N.A Think Time : N.A Minimum Instruction Time : 0**

**Correct Marks : 5 Wrong Marks : 1**

**Question Key Details :**

Key	Value
Comprehension	MCQ

Arrange the following sequentially in relation to the preservation of Early monuments:

- A. Foundation of Indian Museum, Calcutta.
- B. James Fergusson's Survey
- C. H.H. Cole Appointed as Curator of Ancient Monument.
- D. Passing of Treasure Trove Act.

Choose the correct answer from the options given below:

- 1. A, C, B, D
- 2. A, B, C, D
- 3. B, C, A, D
- 4. D, A, B, C

**Options :**

485584136777. 1  
485584136778. 2  
485584136779. 3  
485584136780. 4

**Sub-Section Number :** 2  
**Sub-Section Id :** 4855842540  
**Question Shuffling Allowed :** No  
**Is Section Default? :** null

**Question Number : 241 Question Id : 48558434196 Question Type : MCQ Option Shuffling : No Is Question Mandatory : No Calculator : None Response Time : N.A Think Time : N.A Minimum Instruction Time : 0**

**Correct Marks : 5 Wrong Marks : 1**

**Question Key Details :**

Key	Value
Comprehension	Comp1

**Read the passage and answer the questions:**

Temple building in the region had a long history, going back to dynasties such as the Pallavas, Chalukyas, Hoysalas and Cholas. Rulers very often encouraged temple building as a means of associating themselves with the divine - often, the deity was explicitly or implicitly identified with the king. Temples also functioned as centres of learning. Besides, rulers and others often granted land and other resources for the maintenance of temples. Consequently, temples developed as significant religious, social, cultural and economic centres. From the point of view of the rulers, constructing, repairing and maintaining temples were important means of winning support and recognition for their power, wealth and piety.

What was the 'Kalyana mandapa' used for?

1. To worship the image of God.
2. To celebrate divine weddings.
3. For dance and music performances.
4. For drama performances.

**Options :**

485584136781. 1  
485584136782. 2  
485584136783. 3  
485584136784. 4

**Question Number : 242 Question Id : 48558434197 Question Type : MCQ Option Shuffling : No Is Question Mandatory : No Calculator : None Response Time : N.A Think Time : N.A Minimum Instruction Time : 0**

**Correct Marks : 5 Wrong Marks : 1**

**Question Key Details :**

Key	Value
Comprehension	Comp1

**Read the passage and answer the questions:**

Temple building in the region had a long history, going back to dynasties such as the Pallavas, Chalukyas, Hoysalas and Cholas. Rulers very often encouraged temple building as a means of associating themselves with the divine - often, the deity was explicitly or implicitly identified with the king. Temples also functioned as centres of learning. Besides, rulers and others often granted land and other resources for the maintenance of temples. Consequently, temples developed as significant religious, social, cultural and economic centres. From the point of view of the rulers, constructing, repairing and maintaining temples were important means of winning support and recognition for their power, wealth and piety.

Krishnadeva Raya built a hall in front of the main shrine of which of the following temples to mark his accession?

1. Hazara Rama Temple
2. Vithala Temple
3. Virupaksha Temple
4. Chidambaram Temple

**Options :**

485584136785. 1  
485584136786. 2  
485584136787. 3  
485584136788. 4

**Question Number : 243 Question Id : 48558434198 Question Type : MCQ Option Shuffling : No Is Question Mandatory : No Calculator : None Response Time : N.A Think Time : N.A Minimum Instruction Time : 0**

**Correct Marks : 5 Wrong Marks : 1**

**Question Key Details :**

Key	Value
Comprehension	Comp1

**Read the passage and answer the questions:**

Temple building in the region had a long history, going back to dynasties such as the Pallavas, Chalukyas, Hoysalas and Cholas. Rulers very often encouraged temple building as a means of associating themselves with the divine - often, the deity was explicitly or implicitly identified with the king. Temples also functioned as centres of learning. Besides, rulers and others often granted land and other resources for the maintenance of temples. Consequently, temples developed as significant religious, social, cultural and economic centres. From the point of view of the rulers, constructing, repairing and maintaining temples were important means of winning support and recognition for their power, wealth and piety.

Which of the following temple has a shrine designed as a 'chariot'?

1. Brihadeshvara Temple
2. Chidambaram Temple
3. Virupaksha Temple
4. Vitthala Temple

**Options :**

485584136789. 1  
485584136790. 2  
485584136791. 3  
485584136792. 4

**Question Number : 244 Question Id : 48558434199 Question Type : MCQ Option Shuffling : No Is Question Mandatory : No Calculator : None Response Time : N.A Think Time : N.A Minimum Instruction Time : 0**

**Correct Marks : 5 Wrong Marks : 1**

**Question Key Details :**

Key	Value
Comprehension	Comp1

**Read the passage and answer the questions:**

Temple building in the region had a long history, going back to dynasties such as the Pallavas, Chalukyas, Hoysalas and Cholas. Rulers very often encouraged temple building as a means of associating themselves with the divine - often, the deity was explicitly or implicitly identified with the king. Temples also functioned as centres of learning. Besides, rulers and others often granted land and other resources for the maintenance of temples. Consequently, temples developed as significant religious, social, cultural and economic centres. From the point of view of the rulers, constructing, repairing and maintaining temples were important means of winning support and recognition for their power, wealth and piety.

Which of the following temple portrays sculpture of scenes from the Ramayana?

1. Vitthala Temple
2. Hazar Rama Temple
3. Pampadevi Temple
4. Virupaksha Temple

**Options :**

485584136793. 1  
485584136794. 2  
485584136795. 3  
485584136796. 4

**Question Number : 245 Question Id : 48558434200 Question Type : MCQ Option Shuffling : No Is Question Mandatory : No Calculator : None Response Time : N.A Think Time : N.A Minimum Instruction Time : 0**

**Correct Marks : 5 Wrong Marks : 1**

**Question Key Details :**



Key	Value
Comprehension	Comp1

**Read the passage and answer the questions:**

Temple building in the region had a long history, going back to dynasties such as the Pallavas, Chalukyas, Hoysalas and Cholas. Rulers very often encouraged temple building as a means of associating themselves with the divine - often, the deity was explicitly or implicitly identified with the king. Temples also functioned as centres of learning. Besides, rulers and others often granted land and other resources for the maintenance of temples. Consequently, temples developed as significant religious, social, cultural and economic centres. From the point of view of the rulers, constructing, repairing and maintaining temples were important means of winning support and recognition for their power, wealth and piety.

"In our study of these monuments of Vijayanagara we have to imagine a whole series of vanished wooden elements...." Who amongst the following stated these lines?

- A. J. F. Fleet
- B. George Michell
- C. M.S. Nagaraja
- D. Fernao Nuniz

Choose the **correct** answer from the options given below:

- 1. A, B only
- 2. B, C only
- 3. C, D only
- 4. B, D only

**Options :**

- 485584136797. 1
- 485584136798. 2
- 485584136799. 3
- 485584136800. 4

Sub-Section Number : 3  
 Sub-Section Id : 4855842541  
 Question Shuffling Allowed : No  
 Is Section Default? : null

Question Number : 246 Question Id : 48558434201 Question Type : MCQ Option Shuffling : No Is Question Mandatory : No Calculator : None Response Time : N.A Think Time : N.A Minimum Instruction Time : 0

Correct Marks : 5 Wrong Marks : 1

**Question Key Details :**

Key	Value
Comprehension	Comp2

**Read the passage and answer the questions:**

In January 1915, Mohandas Karamchand Gandhi returned to his homeland after two decades of residence abroad. These years had been spent for the most part in South Africa, where he went as a lawyer, and in time became a leader of the Indian community in that territory. As the historian Chandran Devanesan has remarked, South Africa was "the making of the Mahatma". It was in South Africa that Mahatma Gandhi first forged the distinctive techniques of non-violent protest known as satyagraha, first promoted harmony between religions, and first alerted upper-caste Indians to their discriminatory treatment of low castes and women.

In 1915, Mahatma Gandhi returned to India from which country?

1. England
2. South Africa
3. Mexico
4. Kenya

**Options :**

485584136801. 1  
485584136802. 2  
485584136803. 3  
485584136804. 4

**Question Number : 247 Question Id : 48558434202 Question Type : MCQ Option Shuffling : No Is Question Mandatory : No Calculator : None Response Time : N.A Think Time : N.A Minimum Instruction Time : 0**

**Correct Marks : 5 Wrong Marks : 1**

**Question Key Details :**

Key	Value
Comprehension	Comp2

**Read the passage and answer the questions:**

In January 1915, Mohandas Karamchand Gandhi returned to his homeland after two decades of residence abroad. These years had been spent for the most part in South Africa, where he went as a lawyer, and in time became a leader of the Indian community in that territory. As the historian Chandran Devanesan has remarked, South Africa was "the making of the Mahatma". It was in South Africa that Mahatma Gandhi first forged the distinctive techniques of non-violent protest known as satyagraha, first promoted harmony between religions, and first alerted upper-caste Indians to their discriminatory treatment of low castes and women.

Where was the technique of 'satyagraha' invented?

1. Ahmedabad
2. Champaran
3. Kheda
4. South Africa

**Options :**

- 485584136805. 1
- 485584136806. 2
- 485584136807. 3
- 485584136808. 4

**Question Number : 248 Question Id : 48558434203 Question Type : MCQ Option Shuffling : No Is Question Mandatory : No Calculator : None Response Time : N.A Think Time : N.A Minimum Instruction Time : 0**

**Correct Marks : 5 Wrong Marks : 1**

**Question Key Details :**

Key	Value
Comprehension	Comp2

**Read the passage and answer the questions:**

In January 1915, Mohandas Karamchand Gandhi returned to his homeland after two decades of residence abroad. These years had been spent for the most part in South Africa, where he went as a lawyer, and in time became a leader of the Indian community in that territory. As the historian Chandran Devanesan has remarked, South Africa was "the making of the Mahatma". It was in South Africa that Mahatma Gandhi first forged the distinctive techniques of non-violent protest known as satyagraha, first promoted harmony between religions, and first alerted upper-caste Indians to their discriminatory treatment of low castes and women.

Where did Mahatma Gandhi give his first public appearance after returning to India?

- 1. Kheda
- 2. Ahmedabad
- 3. Champaran
- 4. Banaras

**Options :**

- 485584136809. 1
- 485584136810. 2
- 485584136811. 3
- 485584136812. 4

**Question Number : 249 Question Id : 48558434204 Question Type : MCQ Option Shuffling : No Is Question Mandatory : No Calculator : None Response Time : N.A Think Time : N.A Minimum Instruction Time : 0**

**Correct Marks : 5 Wrong Marks : 1**

**Question Key Details :**

Key	Value
Comprehension	Comp2

**Read the passage and answer the questions:**

In January 1915, Mohandas Karamchand Gandhi returned to his homeland after two decades of residence abroad. These years had been spent for the most part in South Africa, where he went as a lawyer, and in time became a leader of the Indian community in that territory. As the historian Chandran Devanesan has remarked, South Africa was "the making of the Mahatma". It was in South Africa that Mahatma Gandhi first forged the distinctive techniques of non-violent protest known as satyagraha, first promoted harmony between religions, and first alerted upper-caste Indians to their discriminatory treatment of low castes and women.

Which historian remarked that South Africa was "the making of the Mahatma"?

1. Chandran Devanesan
2. Irfan Habib
3. Romila Thapar
4. Seema Alavi

**Options :**

485584136813. 1  
485584136814. 2  
485584136815. 3  
485584136816. 4

**Question Number : 250 Question Id : 48558434205 Question Type : MCQ Option Shuffling : No Is Question Mandatory : No Calculator : None Response Time : N.A Think Time : N.A Minimum Instruction Time : 0**

**Correct Marks : 5 Wrong Marks : 1**

**Question Key Details :**

Key	Value
Comprehension	Comp2

**Read the passage and answer the questions:**

In January 1915, Mohandas Karamchand Gandhi returned to his homeland after two decades of residence abroad. These years had been spent for the most part in South Africa, where he went as a lawyer, and in time became a leader of the Indian community in that territory. As the historian Chandran Devanesan has remarked, South Africa was "the making of the Mahatma". It was in South Africa that Mahatma Gandhi first forged the distinctive techniques of non-violent protest known as satyagraha, first promoted harmony between religions, and first alerted upper-caste Indians to their discriminatory treatment of low castes and women.

Who was Gandhi's political mentor after his return from South Africa?

1. Mohammad Ali Jinnah
2. Gopal Krsihna Gokhale
3. Bipin Chadra Pal
4. Bal Gangadhar Tilak

**Options :**

485584136817. 1  
485584136818. 2  
485584136819. 3  
485584136820. 4

### KTPI

**Group Number :** 11  
**Group Id :** 485584778  
**Group Maximum Duration :** 45  
**Group Minimum Duration :** 45  
**Show Attended Group? :** No  
**Edit Attended Group? :** No  
**Break time :** 0  
**Group Marks :** 200  
**Is this Group for Examiner? :** No  
**Examiner permission :** Cant View  
**Show Progress Bar? :** No

### KTPI

**Section Id :** 485584896  
**Section Number :** 1  
**Section type :** Online  
**Mandatory or Optional :** Mandatory  
**Number of Questions :** 50  
**Number of Questions to be attempted :** 40  
**Section Marks :** 200  
**Enable Mark as Answered Mark for Review and Clear Response :** Yes  
**Maximum Instruction Time :** 0  
**Sub-Section Number :** 1  
**Sub-Section Id :** 4855842542  
**Question Shuffling Allowed :** Yes  
**Is Section Default? :** null

**Question Number : 251 Question Id : 48558434256 Question Type : MCQ Option Shuffling : No Is Question Mandatory : No Calculator : None Response Time : N.A Think Time : N.A Minimum Instruction Time : 0**

**Correct Marks : 5 Wrong Marks : 1**

**Question Key Details :**

Key	Value
Comprehension	MCQ

How many purusarthas are defined in Hindu way of life?

1. 5
2. 4
3. 2
4. 3

**Options :**

- 485584137021. 1
- 485584137022. 2
- 485584137023. 3
- 485584137024. 4

**Question Number : 251 Question Id : 48558434256 Question Type : MCQ Option Shuffling : No Is Question Mandatory : No Calculator : None Response Time : N.A Think Time : N.A Minimum Instruction Time : 0**

**Correct Marks : 5 Wrong Marks : 1**

**Question Key Details :**

Key	Value
Comprehension	MCQ

ഹിന്ദു ജീവിത രീതിയിൽ എത്ര പുരുഷാർത്ഥങ്ങൾ ഉണ്ട്?

- 1. 5
- 2. 4
- 3. 2
- 4. 3

**Options :**

- 485584137021. 1
- 485584137022. 2
- 485584137023. 3
- 485584137024. 4

**Question Number : 252 Question Id : 48558434257 Question Type : MCQ Option Shuffling : No Is Question Mandatory : No Calculator : None Response Time : N.A Think Time : N.A Minimum Instruction Time : 0**

**Correct Marks : 5 Wrong Marks : 1**

**Question Key Details :**

Key	Value
Comprehension	MCQ

The word Dhamma is used in :

- 1. Rgveda
- 2. Bhagavad-Gita
- 3. Jain Ethics
- 4. Buddhism

**Options :**

- 485584137025. 1
- 485584137026. 2
- 485584137027. 3
- 485584137028. 4

**Question Number : 252 Question Id : 48558434257 Question Type : MCQ Option Shuffling : No Is Question Mandatory : No Calculator : None Response Time : N.A Think Time : N.A Minimum Instruction Time : 0**

Correct Marks : 5 Wrong Marks : 1

Question Key Details :

Key	Value
Comprehension	MCQ

ദമ എന്ന വാക്ക് ഉപയോഗിച്ചിരിക്കുന്നത്:-

1. ഋഗ്വേദം
2. ഭഗവദ്ഗീത
3. ജെയിൻ എത്തിക്സ്
4. ബുദ്ധിസം

Options :

485584137025. 1  
485584137026. 2  
485584137027. 3  
485584137028. 4

Question Number : 253 Question Id : 48558434258 Question Type : MCQ Option Shuffling : No Is Question Mandatory : No Calculator : None Response Time : N.A Think Time : N.A Minimum Instruction Time : 0

Correct Marks : 5 Wrong Marks : 1

Question Key Details :

Key	Value
Comprehension	MCQ

Which stage of life is the grahastha, stage of the householder in the Hindu way of life?

1. 4
2. 2
3. 1
4. 3

Options :

485584137029. 1  
485584137030. 2  
485584137031. 3  
485584137032. 4

Question Number : 253 Question Id : 48558434258 Question Type : MCQ Option Shuffling : No Is Question Mandatory : No Calculator : None Response Time : N.A Think Time : N.A Minimum Instruction Time : 0

Correct Marks : 5 Wrong Marks : 1

Question Key Details :

Key	Value
Comprehension	MCQ

ഹിന്ദു ജീവിതരീതിയിൽ ഗൃഹസ്ഥ, കുടുംബ ജീവിതം ജീവിതത്തിന്റെ എത്രമാത്രം ഘട്ടമാണ്?

1. 4

2. 2

3. 1

4. 3

**Options :**

485584137029. 1

485584137030. 2

485584137031. 3

485584137032. 4

**Question Number : 254 Question Id : 48558434259 Question Type : MCQ Option Shuffling : No Is Question Mandatory : No Calculator : None Response Time : N.A Think Time : N.A Minimum Instruction Time : 0**

**Correct Marks : 5 Wrong Marks : 1**

**Question Key Details :**

Key	Value
Comprehension	MCQ

Who among the following is associated with Niti Satakam?

1. Vidur

2. Sukracarya

3. Bhartrhari

4. King Bhoja

**Options :**

485584137033. 1

485584137034. 2

485584137035. 3

485584137036. 4

**Question Number : 254 Question Id : 48558434259 Question Type : MCQ Option Shuffling : No Is Question Mandatory : No Calculator : None Response Time : N.A Think Time : N.A Minimum Instruction Time : 0**

**Correct Marks : 5 Wrong Marks : 1**

**Question Key Details :**

Key	Value
Comprehension	MCQ



താഴെ കൊടുത്തിരിക്കുന്നവരിൽ നീതി സാധകവുമായി ബന്ധപ്പെട്ടിരിക്കുന്നത് ആര്?

1. വിദ്വരൻ
2. ശുക്രാചാര്യൻ
3. ഭർത്യഹരി
4. ഭോജ രാജാവ്

**Options :**

- 485584137033. 1
- 485584137034. 2
- 485584137035. 3
- 485584137036. 4

**Question Number : 255 Question Id : 48558434260 Question Type : MCQ Option Shuffling : No Is Question Mandatory : No Calculator : None Response Time : N.A Think Time : N.A Minimum Instruction Time : 0**

**Correct Marks : 5 Wrong Marks : 1**

**Question Key Details :**

Key	Value
Comprehension	MCQ

Which among the following is the basis of the Buddhist ethics?

1. Compassion
2. Friendliness
3. Good will
4. Four Noble Truths

**Options :**

- 485584137037. 1
- 485584137038. 2
- 485584137039. 3
- 485584137040. 4

**Question Number : 255 Question Id : 48558434260 Question Type : MCQ Option Shuffling : No Is Question Mandatory : No Calculator : None Response Time : N.A Think Time : N.A Minimum Instruction Time : 0**

**Correct Marks : 5 Wrong Marks : 1**

**Question Key Details :**

Key	Value
Comprehension	MCQ

ബുദ്ധിസ്സു മൂല്യങ്ങളുടെ അടിസ്ഥാനം താഴെ കൊടുത്തിരിക്കുന്നതിൽ ഏത്?

1. അനുകമ്പ
2. സൗഹാർദ്ദം
3. സത്ചിന്ത
4. നാല് ഉദാത്ത സത്യങ്ങൾ

**Options :**

- 485584137037. 1
- 485584137038. 2
- 485584137039. 3
- 485584137040. 4

**Question Number : 256 Question Id : 48558434261 Question Type : MCQ Option Shuffling : No Is Question Mandatory : No Calculator : None Response Time : N.A Think Time : N.A Minimum Instruction Time : 0**

**Correct Marks : 5 Wrong Marks : 1**

**Question Key Details :**

Key	Value
Comprehension	MCQ

In which age the tradition of excavating cave temples and monolithic shrines evolved into the construction of brick and stone temple

1. Maurya age
2. Gupta age
3. Kushan age
4. Mughal age

**Options :**

- 485584137041. 1
- 485584137042. 2
- 485584137043. 3
- 485584137044. 4

**Question Number : 256 Question Id : 48558434261 Question Type : MCQ Option Shuffling : No Is Question Mandatory : No Calculator : None Response Time : N.A Think Time : N.A Minimum Instruction Time : 0**

**Correct Marks : 5 Wrong Marks : 1**

**Question Key Details :**

Key	Value
Comprehension	MCQ

ഏത് കാലഘട്ടത്തിലാണ് ഗുഹാ ക്ഷേത്രങ്ങളിൽ നിന്നും ഏക ശിലാ ആരാധനാ സ്ഥലങ്ങളിൽ നിന്നും കല്ലുകളും കട്ടകളും വച്ച് നിർമ്മിക്കുന്ന ക്ഷേത്രങ്ങളിലേക്കുള്ള മാറ്റം ഉണ്ടായത്?

1. മൗര്യകാലഘട്ടം
2. ഗുപ്ത കാലഘട്ടം
3. കുശാന കാലഘട്ടം
4. മുഗൾ കാലഘട്ടം

**Options :**

- 485584137041. 1
- 485584137042. 2
- 485584137043. 3
- 485584137044. 4

**Question Number : 257 Question Id : 48558434262 Question Type : MCQ Option Shuffling : No Is Question Mandatory : No Calculator : None Response Time : N.A Think Time : N.A Minimum Instruction Time : 0**

**Correct Marks : 5 Wrong Marks : 1**

**Question Key Details :**

Key	Value
Comprehension	MCQ

Match List I with List II

LIST I		LIST II	
A.	Kuchipudi	I.	Uttar Pradesh
B.	Sattriya	II.	Tamil Nadu
C.	Kathak	III.	Andhra Pradesh
D.	Bharatanatyam	IV.	Assam

Choose the correct answer from the options given below:

1. A-III, B-I, C-IV, D-II
2. A-IV, B-II, C-I, D-III
3. A-III, B-IV, C-I, D-II
4. A-I, B-III, C-II, D-IV

**Options :**

- 485584137045. 1
- 485584137046. 2
- 485584137047. 3
- 485584137048. 4

**Question Number : 257 Question Id : 48558434262 Question Type : MCQ Option Shuffling : No Is Question Mandatory : No Calculator : None Response Time : N.A Think Time : N.A Minimum Instruction Time : 0**

**Correct Marks : 5 Wrong Marks : 1**

**Question Key Details :**

Key	Value
Comprehension	MCQ

ചേരുംപടി ചേർക്കുക

പട്ടിക I		പട്ടിക II	
A. കുച്ചിപ്പുഡി	I. ഉത്തരപ്രദേശ്	B. സത്താരിയ	II. തമിഴ്നാട്
C. കഥക്	III. ആന്ധ്രപ്രദേശ്	D. ഭരതനാട്യം	IV. ആസ്സാം

താഴെ തന്നിരിക്കുന്ന ഓപ്ഷനുകളിൽ നിന്നും ശരിയുത്തരം തിരഞ്ഞെടുക്കുക:

1. A-III, B-I, C-IV, D-II
2. A-IV, B-II, C-I, D-III
3. A-III, B-IV, C-I, D-II
4. A-I, B-III, C-II, D-IV

**Options :**

485584137045. 1  
485584137046. 2  
485584137047. 3  
485584137048. 4

**Question Number : 258 Question Id : 48558434263 Question Type : MCQ Option Shuffling : No Is Question Mandatory : No Calculator : None Response Time : N.A Think Time : N.A Minimum Instruction Time : 0**

**Correct Marks : 5 Wrong Marks : 1**

**Question Key Details :**

Key	Value
Comprehension	MCQ

In India where do you find sculptures depicting odissi style?

1. Caves of Ellora
2. Caves of Udayagiri and Khandagiri
3. Caves of Ajanta
4. Caves of Nilgiri

**Options :**

485584137049. 1  
485584137050. 2  
485584137051. 3  
485584137052. 4

**Question Number : 258 Question Id : 48558434263 Question Type : MCQ Option Shuffling : No Is Question Mandatory : No Calculator : None Response Time : N.A Think Time : N.A Minimum Instruction Time : 0**

**Correct Marks : 5 Wrong Marks : 1**

**Question Key Details :**

Key	Value
Comprehension	MCQ

ഒഡീസി ശൈലിയിലുള്ള കൊത്തുപണികൾ ഇന്ത്യയിൽ എവിടെയാണ് കാണപ്പെടുന്നത്?

1. എല്ലോറ ഗുഹകൾ
2. ഉദയഗിരി-ഖണ്ഡഗിരി ഗുഹകളിൽ അജന്താ ഗുഹകളിൽ
3. അജന്ത ഗുഹകളിൽ
4. നീലഗിരി ഗുഹകളിൽ

**Options :**

- 485584137049. 1
- 485584137050. 2
- 485584137051. 3
- 485584137052. 4

**Question Number : 259 Question Id : 48558434264 Question Type : MCQ Option Shuffling : No Is Question Mandatory : No Calculator : None Response Time : N.A Think Time : N.A Minimum Instruction Time : 0**

**Correct Marks : 5 Wrong Marks : 1**

**Question Key Details :**

Key	Value
Comprehension	MCQ

In 1930s, E. Krishna Iyer and Rukmini Devi Arundale renamed Sadirattam as \_\_\_\_\_?

1. Odissi
2. Kucipudi
3. Manipuri
4. Bharatanatyam

**Options :**

- 485584137053. 1
- 485584137054. 2
- 485584137055. 3
- 485584137056. 4

**Question Number : 259 Question Id : 48558434264 Question Type : MCQ Option Shuffling : No Is Question Mandatory : No Calculator : None Response Time : N.A Think Time : N.A Minimum Instruction Time : 0**

**Correct Marks : 5 Wrong Marks : 1**

**Question Key Details :**

Key	Value
Comprehension	MCQ

1930കളിൽ ഇ കുഷ്ഠയുരും രുക്മിണി ദേവി അരുന്ധേലും ചേർന്ന് സദിരാട്ടത്തിന് നൽകിയ പുതിയ പേര്:

1. ഓഡീസ്സി
2. കുച്ചിപ്പുഡി
3. മണിപ്പുരി
4. ഭരതനാട്യം

**Options :**

- 485584137053. 1
- 485584137054. 2
- 485584137055. 3
- 485584137056. 4

**Question Number : 260 Question Id : 48558434265 Question Type : MCQ Option Shuffling : No Is Question Mandatory : No Calculator : None Response Time : N.A Think Time : N.A Minimum Instruction Time : 0**

**Correct Marks : 5 Wrong Marks : 1**

**Question Key Details :**

Key	Value
Comprehension	MCQ

The ( Brhadessvara ) temple of Thanjavur belongs to which century?

1. 9th century
2. 10th Century
3. 11th Century
4. 12th Century

**Options :**

- 485584137057. 1
- 485584137058. 2
- 485584137059. 3
- 485584137060. 4

**Question Number : 260 Question Id : 48558434265 Question Type : MCQ Option Shuffling : No Is Question Mandatory : No Calculator : None Response Time : N.A Think Time : N.A Minimum Instruction Time : 0**

**Correct Marks : 5 Wrong Marks : 1**

**Question Key Details :**

Key	Value
Comprehension	MCQ

തഞ്ചാവൂരിലെ ബ്രഹ്മദേശ്വര ക്ഷേത്രം ഏത് നൂറ്റാണ്ടിലേക്ക് ആണ്?

1. 9-ആം നൂറ്റാണ്ട്
2. 10-ആം നൂറ്റാണ്ട്
3. 11-ആം നൂറ്റാണ്ട്
4. 12-ആം നൂറ്റാണ്ട്

**Options :**

- 485584137057. 1
- 485584137058. 2
- 485584137059. 3
- 485584137060. 4

**Question Number : 261 Question Id : 48558434266 Question Type : MCQ Option Shuffling : No Is Question Mandatory : No Calculator : None Response Time : N.A Think Time : N.A Minimum Instruction Time : 0**

**Correct Marks : 5 Wrong Marks : 1**

**Question Key Details :**

Key	Value
Comprehension	MCQ

Dharma required all including students in the ancient days to perform their

1. Work
2. Skills
3. Duty
4. Prayers

**Options :**

- 485584137061. 1
- 485584137062. 2
- 485584137063. 3
- 485584137064. 4

**Question Number : 261 Question Id : 48558434266 Question Type : MCQ Option Shuffling : No Is Question Mandatory : No Calculator : None Response Time : N.A Think Time : N.A Minimum Instruction Time : 0**

**Correct Marks : 5 Wrong Marks : 1**

**Question Key Details :**

Key	Value
Comprehension	MCQ

പുരാതന കാലത്ത് ധർമ്മ അനുസരിച്ച് കട്ടികൾ ഉൾപ്പെടെ എല്ലാവരും എന്ന് ചെയ്യണമായിരുന്നു?

1. ജോലി
2. നൈപുണികൾ
3. ദൗത്യം
4. പ്രാർത്ഥനകൾ

**Options :**

- 485584137061. 1
- 485584137062. 2
- 485584137063. 3
- 485584137064. 4

**Question Number : 262 Question Id : 48558434267 Question Type : MCQ Option Shuffling : No Is Question Mandatory : No Calculator : None Response Time : N.A Think Time : N.A Minimum Instruction Time : 0**

**Correct Marks : 5 Wrong Marks : 1**

**Question Key Details :**

Key	Value
Comprehension	MCQ

The Sastras are classified into:

1. Sastra and Kavya
2. Pauruseya and Apauruseya
3. Vedas and Vedangas
4. Siksa and Kalpa

**Options :**

- 485584137065. 1
- 485584137066. 2
- 485584137067. 3
- 485584137068. 4

**Question Number : 262 Question Id : 48558434267 Question Type : MCQ Option Shuffling : No Is Question Mandatory : No Calculator : None Response Time : N.A Think Time : N.A Minimum Instruction Time : 0**

**Correct Marks : 5 Wrong Marks : 1**

**Question Key Details :**

Key	Value
Comprehension	MCQ



ശാസ്ത്രങ്ങളെ തരംതിരിച്ചിരിക്കുന്നത് എങ്ങനെ?

1. ശാസ്ത്ര, കാവ്യ
2. പൗരൂഷേയ, അപൗരൂഷേയ
3. വേദങ്ങൾ, വേദാംഗങ്ങൾ
4. ശിക്ഷ, കൽപ

**Options :**

485584137065. 1  
485584137066. 2  
485584137067. 3  
485584137068. 4

**Question Number : 263 Question Id : 48558434268 Question Type : MCQ Option Shuffling : No Is Question Mandatory : No Calculator : None Response Time : N.A Think Time : N.A Minimum Instruction Time : 0**

**Correct Marks : 5 Wrong Marks : 1**

**Question Key Details :**

Key	Value
Comprehension	MCQ

Which among the following is not a part of Vedanga?

1. Siksa
2. Kavya
3. Kalpa
4. Vyakarana

**Options :**

485584137069. 1  
485584137070. 2  
485584137071. 3  
485584137072. 4

**Question Number : 263 Question Id : 48558434268 Question Type : MCQ Option Shuffling : No Is Question Mandatory : No Calculator : None Response Time : N.A Think Time : N.A Minimum Instruction Time : 0**

**Correct Marks : 5 Wrong Marks : 1**

**Question Key Details :**

Key	Value
Comprehension	MCQ

തന്നിട്ടുള്ളവയിൽ വേദാംഗത്തിന്റെ ഭാഗമല്ലാത്തത് ഏത്?

1. ശിക്ഷ
2. കാവ്യ
3. കർവ
4. വ്യാകരണ

**Options :**

485584137069. 1  
485584137070. 2  
485584137071. 3  
485584137072. 4

**Question Number : 264 Question Id : 48558434269 Question Type : MCQ Option Shuffling : No Is Question Mandatory : No Calculator : None Response Time : N.A Think Time : N.A Minimum Instruction Time : 0**

**Correct Marks : 5 Wrong Marks : 1**

**Question Key Details :**

Key	Value
Comprehension	MCQ

Pauruseya literature is also known as

1. Sruti literature
2. Sastrartha
3. Kavya
4. Smriti Literature

**Options :**

485584137073. 1  
485584137074. 2  
485584137075. 3  
485584137076. 4

**Question Number : 264 Question Id : 48558434269 Question Type : MCQ Option Shuffling : No Is Question Mandatory : No Calculator : None Response Time : N.A Think Time : N.A Minimum Instruction Time : 0**

**Correct Marks : 5 Wrong Marks : 1**

**Question Key Details :**

Key	Value
Comprehension	MCQ

പൗരൂഷേയ കൃതിയുടെ അറിയപ്പെടുന്ന മറ്റൊരു പേര് എന്ത്?

1. ശ്രുതി
2. ശാസ്ത്രാരത്ഥ
3. കാവ്യ
4. സ്മൃതി

**Options :**

485584137073. 1  
485584137074. 2  
485584137075. 3  
485584137076. 4

**Question Number : 265 Question Id : 48558434270 Question Type : MCQ Option Shuffling : No Is Question Mandatory : No Calculator : None Response Time : N.A Think Time : N.A Minimum Instruction Time : 0**

**Correct Marks : 5 Wrong Marks : 1**

**Question Key Details :**

Key	Value
Comprehension	MCQ

Which among the following is not a stage of path to knowledge as given in the Brhadaranyaka upanisad?

1. Sravana
2. Sastrartha
3. Manana
4. Nidhidhyasana

**Options :**

485584137077. 1  
485584137078. 2  
485584137079. 3  
485584137080. 4

**Question Number : 265 Question Id : 48558434270 Question Type : MCQ Option Shuffling : No Is Question Mandatory : No Calculator : None Response Time : N.A Think Time : N.A Minimum Instruction Time : 0**

**Correct Marks : 5 Wrong Marks : 1**

**Question Key Details :**

Key	Value
Comprehension	MCQ

ബ്രഹ്മധാരണയ്ക്കു ഉപനിഷത്ത് പ്രകാരം അറിവിലേക്കുള്ള പാതയിലെ ഒരു ഘട്ടം അല്ലാത്തത് ഏത്?

1. ശ്രാവണ
2. ശാസ്ത്രോർത്ഥ
3. മനന
4. നിധിധ്യാസന

**Options :**

485584137077. 1  
485584137078. 2  
485584137079. 3  
485584137080. 4

**Question Number : 266 Question Id : 48558434271 Question Type : MCQ Option Shuffling : No Is Question Mandatory : No Calculator : None Response Time : N.A Think Time : N.A Minimum Instruction Time : 0**

**Correct Marks : 5 Wrong Marks : 1**

**Question Key Details :**

Key	Value
Comprehension	MCQ

Arrange the four ends of life (Purusartha Catustaya) in sequence.

- A. Kama
- B. Moksa
- C. Artha
- D. Dharma

Choose the correct answer from the options given below:

1. A, B, D, C
2. B, C, A, D
3. D, C, A, B
4. C, A, B, D

**Options :**

485584137081. 1  
485584137082. 2  
485584137083. 3  
485584137084. 4

**Question Number : 266 Question Id : 48558434271 Question Type : MCQ Option Shuffling : No Is Question Mandatory : No Calculator : None Response Time : N.A Think Time : N.A Minimum Instruction Time : 0**

**Correct Marks : 5 Wrong Marks : 1**

**Question Key Details :**

Key	Value
Comprehension	MCQ

ജീവിതത്തിലെ നാല് ലക്ഷ്യങ്ങളെ (പുരുഷാർത്ഥങ്ങളെ) ക്രമീകരിക്കുക

- A. കാമ
- B. മോക്ഷം
- C. അർത്ഥം
- D. ധർമ്മം

താഴെ തന്നിരിക്കുന്ന ഓപ്ഷനുകളിൽ നിന്നും ശരിയുത്തരം തിരഞ്ഞെടുക്കുക:

- 1. A, B, D, C
- 2. B, C, A, D
- 3. D, C, A, B
- 4. C, A, B, D

**Options :**

- 485584137081. 1
- 485584137082. 2
- 485584137083. 3
- 485584137084. 4

**Question Number : 267 Question Id : 48558434272 Question Type : MCQ Option Shuffling : No Is Question Mandatory : No Calculator : None Response Time : N.A Think Time : N.A Minimum Instruction Time : 0**

**Correct Marks : 5 Wrong Marks : 1**

**Question Key Details :**

Key	Value
Comprehension	MCQ

Name the Chinese Scholars who visited Nalanda in the 7th century CE.

- A. I-tsing
- B. Hsuan-tsang
- C. Ba Jin
- D. Kang Youwei

Choose the correct answer from the options given below:

- 1. A and B only
- 2. B and C only
- 3. C and D only
- 4. D and A only

**Options :**

- 485584137085. 1
- 485584137086. 2
- 485584137087. 3
- 485584137088. 4

Question Number : 267 Question Id : 48558434272 Question Type : MCQ Option Shuffling : No Is Question Mandatory : No Calculator : None Response Time : N.A Think Time : N.A Minimum Instruction Time : 0

Correct Marks : 5 Wrong Marks : 1

Question Key Details :

Key	Value
Comprehension	MCQ

7-ആം നൂറ്റാണ്ടിൽ നളന്ദ സന്ദർശിച്ച ചൈനീസ് പണ്ഡിതർ ആരെല്ലാം?

- A. ഫെ സ്റ്റിംഗ്
- B. ഹുയാൻ സാംഗ്
- C. ബാ ജിൻ
- D. Kang Youwei കാങ് യുവേയ്

താഴെ തന്നിരിക്കുന്ന ഓപ്ഷനുകളിൽ നിന്നും ശരിയുത്തരം തിരഞ്ഞെടുക്കുക:

- 1. A യും B യും മാത്രം
- 2. B യും C യും മാത്രം
- 3. C യും D യും മാത്രം
- 4. D യും A യും മാത്രം

Options :

- 485584137085. 1
- 485584137086. 2
- 485584137087. 3
- 485584137088. 4

Question Number : 268 Question Id : 48558434273 Question Type : MCQ Option Shuffling : No Is Question Mandatory : No Calculator : None Response Time : N.A Think Time : N.A Minimum Instruction Time : 0

Correct Marks : 5 Wrong Marks : 1

Question Key Details :

Key	Value
Comprehension	MCQ

Match List I with List II

LIST I		LIST II	
A.	Krida	I.	Archery, sword play
B.	Vyayama Prakara	II.	Pranayama, asana
C.	Yoga - Sadhana	III.	games, recreational activities
D.	Dhanurveda	IV.	Various types of exercises

Choose the correct answer from the options given below:

1. A-III, B-II, C-IV, D-I
2. A-II, B-III, C-I, D-IV
3. A-III, B-IV, C-II, D-I
4. A-I, B-II, C-III, D-IV

**Options :**

485584137089. 1  
 485584137090. 2  
 485584137091. 3  
 485584137092. 4

**Question Number : 268 Question Id : 48558434273 Question Type : MCQ Option Shuffling : No Is Question Mandatory : No Calculator : None Response Time : N.A Think Time : N.A Minimum Instruction Time : 0**

**Correct Marks : 5 Wrong Marks : 1**

**Question Key Details :**

Key	Value
Comprehension	MCQ

ചേരുംപടി ചേർക്കുക

പട്ടിക I		പട്ടിക II	
A.	കൃത	I.	അമ്പും വില്ലും വാളും ഉപയോഗിച്ചുള്ള അഭ്യാസം
B.	വ്യായാമ പ്രകാര	II.	പ്രാണായാമ, ആസനം
C.	യോഗ -സാധന	III.	കളികളും വിനോദ പ്രവർത്തികളും
D.	ധനുർവേദ	IV.	വിവിധ തരം കായിക പ്രവർത്തനങ്ങൾ

താഴെ തന്നിരിക്കുന്ന ഓപ്ഷനുകളിൽ നിന്നും ശരിയുത്തരം തിരഞ്ഞെടുക്കുക:

1. A-III, B-II, C-IV, D-I
2. A-II, B-III, C-I, D-IV
3. A-III, B-IV, C-II, D-I
4. A-I, B-II, C-III, D-IV

**Options :**

485584137089. 1  
 485584137090. 2  
 485584137091. 3  
 485584137092. 4

Question Number : 269 Question Id : 48558434274 Question Type : MCQ Option Shuffling : No Is Question Mandatory : No Calculator : None Response Time : N.A Think Time : N.A Minimum Instruction Time : 0  
 Correct Marks : 5 Wrong Marks : 1  
 Question Key Details :

Key	Value
Comprehension	MCQ

Three gems in life are right vision, right knowledge and \_\_\_\_\_

1. right choice
2. right step
3. right conduct
4. right word

Options :

- 485584137093. 1
- 485584137094. 2
- 485584137095. 3
- 485584137096. 4

Question Number : 269 Question Id : 48558434274 Question Type : MCQ Option Shuffling : No Is Question Mandatory : No Calculator : None Response Time : N.A Think Time : N.A Minimum Instruction Time : 0  
 Correct Marks : 5 Wrong Marks : 1  
 Question Key Details :

Key	Value
Comprehension	MCQ

ശരിയായ ദർശനം, ശരിയായ അറിവ്, \_\_\_\_\_ എന്നിവയാണ് ജീവിതത്തിലെ മൂന്ന് രത്നങ്ങൾ.

1. ശരിയായ തെരഞ്ഞെടുപ്പ്
2. ശരിയായ ചുവട്
3. ശരിയായ പെരുമാറ്റം
4. ശരിയായ വാക്ക്

Options :

- 485584137093. 1
- 485584137094. 2
- 485584137095. 3
- 485584137096. 4

Question Number : 270 Question Id : 48558434275 Question Type : MCQ Option Shuffling : No Is Question Mandatory : No Calculator : None Response Time : N.A Think Time : N.A Minimum Instruction Time : 0  
 Correct Marks : 5 Wrong Marks : 1  
 Question Key Details :

Key	Value
-----	-------



Comprehension	MCQ
---------------	-----

According to Jainism Spiritual growth is dependent upon \_\_\_\_\_

1. religious rituals
2. hygienic food
3. meditation
4. right conduct

**Options :**

485584137097. 1  
485584137098. 2  
485584137099. 3  
485584137100. 4

**Question Number : 270 Question Id : 48558434275 Question Type : MCQ Option Shuffling : No Is Question Mandatory : No Calculator : None Response Time : N.A Think Time : N.A Minimum Instruction Time : 0**

**Correct Marks : 5 Wrong Marks : 1**

**Question Key Details :**

Key	Value
Comprehension	MCQ

ജൈനമത പ്രകാരം ആത്മീയ വളർച്ച എന്തിനെ ആശ്രയിച്ചിരിക്കുന്നു?

1. മതാനുഷ്ഠാനങ്ങൾ
2. വൃത്തിയുള്ള ഭക്ഷണം
3. ധ്യാനം
4. ശരിയായ പെരുമാറ്റം

**Options :**

485584137097. 1  
485584137098. 2  
485584137099. 3  
485584137100. 4

**Question Number : 271 Question Id : 48558434276 Question Type : MCQ Option Shuffling : No Is Question Mandatory : No Calculator : None Response Time : N.A Think Time : N.A Minimum Instruction Time : 0**

**Correct Marks : 5 Wrong Marks : 1**

**Question Key Details :**

Key	Value
Comprehension	MCQ

Who are the first poets according to the ancient Indian Tradition?

1. Rshis
2. Vedic Seers
3. Dialecticians
4. Grammarians

**Options :**

485584137101. 1  
485584137102. 2  
485584137103. 3  
485584137104. 4

**Question Number : 271 Question Id : 48558434276 Question Type : MCQ Option Shuffling : No Is Question Mandatory : No Calculator : None Response Time : N.A Think Time : N.A Minimum Instruction Time : 0**

**Correct Marks : 5 Wrong Marks : 1**

**Question Key Details :**

Key	Value
Comprehension	MCQ

പുരാതന ഇന്ത്യൻ പാരമ്പര്യ പ്രകാരം ആദ്യ കാല കവികൾ ആരായിരുന്നു?

1. ഋഷിമാർ
2. വേദ പണ്ഡിതന്മാർ
3. തർക്കവിശാരദന്മാർ
4. വ്യാകരണ പണ്ഡിതന്മാർ

**Options :**

485584137101. 1  
485584137102. 2  
485584137103. 3  
485584137104. 4

**Question Number : 272 Question Id : 48558434277 Question Type : MCQ Option Shuffling : No Is Question Mandatory : No Calculator : None Response Time : N.A Think Time : N.A Minimum Instruction Time : 0**

**Correct Marks : 5 Wrong Marks : 1**

**Question Key Details :**

Key	Value
Comprehension	MCQ

Which among the following is referred as 'one of the living monuments of human intelligence'?

1. Language
2. Astadhyayi
3. Mahabhasya
4. Vakyapadiya

**Options :**

485584137105. 1  
485584137106. 2  
485584137107. 3  
485584137108. 4

**Question Number : 272 Question Id : 48558434277 Question Type : MCQ Option Shuffling : No Is Question Mandatory : No Calculator : None Response Time : N.A Think Time : N.A Minimum Instruction Time : 0**

**Correct Marks : 5 Wrong Marks : 1**

**Question Key Details :**

Key	Value
Comprehension	MCQ

'മനുഷ്യ ബുദ്ധിയുടെ ജീവിക്കുന്ന സ്മാരകങ്ങളിൽ ഒന്ന്' എന്ന് വിശേഷിപ്പിക്കപ്പെട്ടത് എന്ത്?

1. ഭാഷ
2. അഷ്ടാധ്യായി
3. മഹാഭാഷ്യം
4. വ്യാകരണീയം

**Options :**

485584137105. 1  
485584137106. 2  
485584137107. 3  
485584137108. 4

**Question Number : 273 Question Id : 48558434278 Question Type : MCQ Option Shuffling : No Is Question Mandatory : No Calculator : None Response Time : N.A Think Time : N.A Minimum Instruction Time : 0**

**Correct Marks : 5 Wrong Marks : 1**

**Question Key Details :**

Key	Value
Comprehension	MCQ

How many sutras are given in the invaluable work of Panini's Astadhyayi?

1. 2,000
2. 1,000
3. 4,000
4. 3,000

**Options :**

485584137109. 1  
485584137110. 2  
485584137111. 3  
485584137112. 4

**Question Number : 273 Question Id : 48558434278 Question Type : MCQ Option Shuffling : No Is Question Mandatory : No Calculator : None Response Time : N.A Think Time : N.A Minimum Instruction Time : 0**

**Correct Marks : 5 Wrong Marks : 1**

**Question Key Details :**

Key	Value
Comprehension	MCQ

പാണിനിയുടെ അഷ്ടാധ്യായിയിലുള്ള സൂത്രങ്ങളുടെ എണ്ണം എത്ര?

1. 2,000
2. 1,000
3. 4,000
4. 3,000

**Options :**

485584137109. 1  
485584137110. 2  
485584137111. 3  
485584137112. 4

**Question Number : 274 Question Id : 48558434279 Question Type : MCQ Option Shuffling : No Is Question Mandatory : No Calculator : None Response Time : N.A Think Time : N.A Minimum Instruction Time : 0**

**Correct Marks : 5 Wrong Marks : 1**

**Question Key Details :**

Key	Value
Comprehension	MCQ

Match List I with List II

LIST I		LIST II	
A.	Ghumar	I.	Ring dance
B.	Kalbela	II.	Rhythmic Clapping
C.	Giddha	III.	Swirling robes
D.	Garba	IV.	Black Swirling skirts

Choose the correct answer from the options given below:

1. A-I, B-II, C-III, D-IV
2. A-III, B-IV, C-I, D-II
3. A-II, B-III, C-IV, D-I
4. A-I, B-II, C-IV, D-III

Options :

485584137113. 1  
 485584137114. 2  
 485584137115. 3  
 485584137116. 4

Question Number : 274 Question Id : 48558434279 Question Type : MCQ Option Shuffling : No Is Question Mandatory : No Calculator : None Response Time : N.A Think Time : N.A Minimum Instruction Time : 0

Correct Marks : 5 Wrong Marks : 1

Question Key Details :

Key	Value
Comprehension	MCQ

ചേരുംപടി ചേർക്കുക

പട്ടിക I		പട്ടിക II	
A.	ഗുമാർ	I.	വൃത്തരൂപത്തിലുള്ള നൃത്തം
B.	കൽബേലിയ	II.	താളാത്മകമായ കൈയടി
C.	ഗിദ്ദ	III.	വസ്ത്രം ചുഴറ്റൽ
D.	ഗർഭ	IV.	കറുത്ത പാവ് ചുഴറ്റൽ

താഴെ തന്നിരിക്കുന്ന ഓപ്ഷനുകളിൽ നിന്നും ശരിയുത്തരം തിരഞ്ഞെടുക്കുക:

1. A-I, B-II, C-III, D-IV
2. A-III, B-IV, C-I, D-II
3. A-II, B-III, C-IV, D-I
4. A-I, B-II, C-IV, D-III

Options :

485584137113. 1  
 485584137114. 2  
 485584137115. 3  
 485584137116. 4

Question Number : 275 Question Id : 48558434280 Question Type : MCQ Option Shuffling : No Is Question Mandatory : No Calculator : None Response Time : N.A Think Time : N.A Minimum Instruction Time : 0

Correct Marks : 5 Wrong Marks : 1

Question Key Details :

Key	Value
Comprehension	MCQ

Hindu temple architecture is divided into different types. Choose the correct number to define different types.

1. 3

2. 2

3. 4

4. 1

Options :

485584137117. 1

485584137118. 2

485584137119. 3

485584137120. 4

Question Number : 275 Question Id : 48558434280 Question Type : MCQ Option Shuffling : No Is Question Mandatory : No Calculator : None Response Time : N.A Think Time : N.A Minimum Instruction Time : 0

Correct Marks : 5 Wrong Marks : 1

Question Key Details :

Key	Value
Comprehension	MCQ

ഹൈന്ദവ ക്ഷേത്ര നിർമ്മാണ രീതികളെ എത്രയായി തരംതിരിച്ചിരിക്കുന്നു.

1. 3

2. 2

3. 4

4. 1

Options :

485584137117. 1

485584137118. 2

485584137119. 3

485584137120. 4

Question Number : 276 Question Id : 48558434281 Question Type : MCQ Option Shuffling : No Is Question Mandatory : No Calculator : None Response Time : N.A Think Time : N.A Minimum Instruction Time : 0

Correct Marks : 5 Wrong Marks : 1

Question Key Details :

Key	Value
Comprehension	MCQ

The origin of Indian temple architecture can be traced to

1. Vedic times
2. Gupta Period
3. Medieval Period
4. Modern Period

**Options :**

- 485584137121. 1
- 485584137122. 2
- 485584137123. 3
- 485584137124. 4

**Question Number : 276 Question Id : 48558434281 Question Type : MCQ Option Shuffling : No Is Question Mandatory : No Calculator : None Response Time : N.A Think Time : N.A Minimum Instruction Time : 0**

**Correct Marks : 5 Wrong Marks : 1**

**Question Key Details :**

Key	Value
Comprehension	MCQ

ഇന്ത്യൻ ക്ഷേത്ര നിർമ്മാണ രീതിയുടെ ഉത്ഭവം ഏത് കാലഘട്ടവുമായി ബന്ധപ്പെട്ടിരിക്കുന്നു?

1. വേദിക കാലഘട്ടം
2. ഗുപ്ത കാലഘട്ടം
3. മധ്യ കാലഘട്ടം
4. ആധുനിക കാലഘട്ടം

**Options :**

- 485584137121. 1
- 485584137122. 2
- 485584137123. 3
- 485584137124. 4

**Question Number : 277 Question Id : 48558434282 Question Type : MCQ Option Shuffling : No Is Question Mandatory : No Calculator : None Response Time : N.A Think Time : N.A Minimum Instruction Time : 0**

**Correct Marks : 5 Wrong Marks : 1**

**Question Key Details :**

Key	Value
Comprehension	MCQ

One central objective of Indian temple architecture is to connect human beings to

1. The world
2. The Religion
3. The community
4. The Universe

**Options :**

- 485584137125. 1
- 485584137126. 2
- 485584137127. 3
- 485584137128. 4

**Question Number : 277 Question Id : 48558434282 Question Type : MCQ Option Shuffling : No Is Question Mandatory : No Calculator : None Response Time : N.A Think Time : N.A Minimum Instruction Time : 0**

**Correct Marks : 5 Wrong Marks : 1**

**Question Key Details :**

Key	Value
Comprehension	MCQ

ഇന്ത്യൻ ക്ഷേത്ര നിർമ്മാണ രീതിയുടെ ഒരു പ്രധാന ലക്ഷ്യം മനുഷ്യരെ \_\_\_\_\_ മായി ബന്ധിപ്പിക്കുക എന്നതാണ്.

1. ലോകം
2. മതം
3. സമുദായം
4. പ്രപഞ്ചം

**Options :**

- 485584137125. 1
- 485584137126. 2
- 485584137127. 3
- 485584137128. 4

**Question Number : 278 Question Id : 48558434283 Question Type : MCQ Option Shuffling : No Is Question Mandatory : No Calculator : None Response Time : N.A Think Time : N.A Minimum Instruction Time : 0**

**Correct Marks : 5 Wrong Marks : 1**

**Question Key Details :**

Key	Value
Comprehension	MCQ



What is the concept of monolithic temples among the following:

1. Carved wholly out of one piece of rock
2. made in monolithic era
3. made in stones from very ancient times
4. only the deity is carved from and one stone

**Options :**

- 485584137129. 1
- 485584137130. 2
- 485584137131. 3
- 485584137132. 4

**Question Number : 278 Question Id : 48558434283 Question Type : MCQ Option Shuffling : No Is Question Mandatory : No Calculator : None Response Time : N.A Think Time : N.A Minimum Instruction Time : 0**

**Correct Marks : 5 Wrong Marks : 1**

**Question Key Details :**

Key	Value
Comprehension	MCQ

ഏകശിലാ ക്ഷേത്രങ്ങളുമായി ബന്ധപ്പെട്ട് താഴെ കൊടുത്തിരിക്കുന്നവയിൽ ശരിയായ പ്രസ്താവന ഏത്?

1. ഒറ്റക്കല്ലിൽ നിന്ന് കൊത്തിയെടുത്തവ
2. ഏകശിലാ കാലഘട്ടത്തിൽ നിർമ്മിച്ചവ
3. വളരെ പുരാതന കാലം മുതൽ കല്ലു കൊണ്ട് നിർമ്മിച്ചവ
4. only the deity is carved from and one stone ഒറ്റക്കല്ലിൽ നിന്ന് കൊത്തിയെടുത്ത പ്രതിഷ്ഠ

**Options :**

- 485584137129. 1
- 485584137130. 2
- 485584137131. 3
- 485584137132. 4

**Question Number : 279 Question Id : 48558434284 Question Type : MCQ Option Shuffling : No Is Question Mandatory : No Calculator : None Response Time : N.A Think Time : N.A Minimum Instruction Time : 0**

**Correct Marks : 5 Wrong Marks : 1**

**Question Key Details :**

Key	Value
Comprehension	MCQ

How many types of fight are included in vajramusti?

1. 6
2. 4
3. 3
4. 5

**Options :**

485584137133. 1  
485584137134. 2  
485584137135. 3  
485584137136. 4

**Question Number : 279 Question Id : 48558434284 Question Type : MCQ Option Shuffling : No Is Question Mandatory : No Calculator : None Response Time : N.A Think Time : N.A Minimum Instruction Time : 0**

**Correct Marks : 5 Wrong Marks : 1**

**Question Key Details :**

Key	Value
Comprehension	MCQ

വജ്രമുഷ്ടിയിൽ എത്ര തരം യുദ്ധങ്ങളെ കുറിച്ചാണ് പരാമർശിക്കുന്നത്?

1. 6
2. 4
3. 3
4. 5

**Options :**

485584137133. 1  
485584137134. 2  
485584137135. 3  
485584137136. 4

**Question Number : 280 Question Id : 48558434285 Question Type : MCQ Option Shuffling : No Is Question Mandatory : No Calculator : None Response Time : N.A Think Time : N.A Minimum Instruction Time : 0**

**Correct Marks : 5 Wrong Marks : 1**

**Question Key Details :**

Key	Value
Comprehension	MCQ

Give name of one of the oldest Martial Arts in existence which is said to have originated in Kerala?

1. Ankavinoda
2. Sastrasrama
3. Mallakhamba
4. Kalaripayattu

**Options :**

- 485584137137. 1
- 485584137138. 2
- 485584137139. 3
- 485584137140. 4

**Question Number : 280 Question Id : 48558434285 Question Type : MCQ Option Shuffling : No Is Question Mandatory : No Calculator : None Response Time : N.A Think Time : N.A Minimum Instruction Time : 0**

**Correct Marks : 5 Wrong Marks : 1**

**Question Key Details :**

Key	Value
Comprehension	MCQ

കേരളത്തിൽ രൂപം കൊണ്ട ഏറ്റവും പഴയ കായികാഭ്യാസങ്ങളിൽ ഒന്നിന്റെ പേര് എഴുതുക:

1. അംഗവിനോദം
2. ശാസ്ത്രശ്രമ
3. മല്ലവംബ
4. കളരിപ്പയറ്റ്

**Options :**

- 485584137137. 1
- 485584137138. 2
- 485584137139. 3
- 485584137140. 4

**Question Number : 281 Question Id : 48558434286 Question Type : MCQ Option Shuffling : No Is Question Mandatory : No Calculator : None Response Time : N.A Think Time : N.A Minimum Instruction Time : 0**

**Correct Marks : 5 Wrong Marks : 1**

**Question Key Details :**

Key	Value
Comprehension	MCQ

Chint was brought to Europe by which traders?

1. Italian and German traders
2. Portuguese and Dutch traders
3. Dutch and Italian Traders
4. German and Irish Traders

**Options :**

485584137141. 1  
485584137142. 2  
485584137143. 3  
485584137144. 4

**Question Number : 281 Question Id : 48558434286 Question Type : MCQ Option Shuffling : No Is Question Mandatory : No Calculator : None Response Time : N.A Think Time : N.A Minimum Instruction Time : 0**

**Correct Marks : 5 Wrong Marks : 1**

**Question Key Details :**

Key	Value
Comprehension	MCQ

ചിന്ത് (ഒരു തരം വസ്ത്രം) യൂറോപ്പിലേക്ക് കൊണ്ടുവന്ന കച്ചവടക്കാർ ആര്?

1. ഇറ്റലിക്കാരും ജർമ്മന്കാരും
2. പോർച്ചുഗീസുകാരും ജർമ്മന്കാരും
3. ഡച്ചുകാരും ഇറ്റലിക്കാരും
4. ജർമ്മന്കാരും അയർലണ്ടുകാരും

**Options :**

485584137141. 1  
485584137142. 2  
485584137143. 3  
485584137144. 4

**Question Number : 282 Question Id : 48558434287 Question Type : MCQ Option Shuffling : No Is Question Mandatory : No Calculator : None Response Time : N.A Think Time : N.A Minimum Instruction Time : 0**

**Correct Marks : 5 Wrong Marks : 1**

**Question Key Details :**

Key	Value
Comprehension	MCQ

Name the textile made from unbleached cotton?

1. Calico
2. Linen
3. Jute
4. Hemp

**Options :**

485584137145. 1  
485584137146. 2  
485584137147. 3  
485584137148. 4

**Question Number : 282 Question Id : 48558434287 Question Type : MCQ Option Shuffling : No Is Question Mandatory : No Calculator : None Response Time : N.A Think Time : N.A Minimum Instruction Time : 0**

**Correct Marks : 5 Wrong Marks : 1**

**Question Key Details :**

Key	Value
Comprehension	MCQ

ബ്ലീച്ച് ചെയ്യാത്ത കോട്ടൺ ഉപയോഗിച്ച് നിർമ്മിക്കുന്ന തുണിയുടെ പേര് എന്ത്?

1. കാലിക്കോ
2. ലിനൻ
3. ജൂട്ട്/ചണം
4. ഹെമ്പ്

**Options :**

485584137145. 1  
485584137146. 2  
485584137147. 3  
485584137148. 4

**Question Number : 283 Question Id : 48558434288 Question Type : MCQ Option Shuffling : No Is Question Mandatory : No Calculator : None Response Time : N.A Think Time : N.A Minimum Instruction Time : 0**

**Correct Marks : 5 Wrong Marks : 1**

**Question Key Details :**

Key	Value
Comprehension	MCQ

Arrange the technologies according to their origin time period:

- A. Art of paper making
- B. Pottery
- C. Rockets
- D. Fired Bricks

Choose the correct answer from the options given below:

- 1. A, B, C, D
- 2. D, C, A, B
- 3. D, B, A, C
- 4. B, C, A, D

**Options :**

- 485584137149. 1
- 485584137150. 2
- 485584137151. 3
- 485584137152. 4

**Question Number : 283 Question Id : 48558434288 Question Type : MCQ Option Shuffling : No Is Question Mandatory : No Calculator : None Response Time : N.A Think Time : N.A Minimum Instruction Time : 0**

**Correct Marks : 5 Wrong Marks : 1**

**Question Key Details :**

Key	Value
Comprehension	MCQ

താഴെ കൊടുത്തിരിക്കുന്ന സാങ്കേതികവിദ്യകളെ അവ രൂപം കൊണ്ട് കാലഘട്ടത്തിന്റെ അടിസ്ഥാനത്തിൽ ക്രമീകരിക്കുക:

- A. പേപ്പർ നിർമ്മാണം
- B. നിർമ്മാണം
- C. റോക്കറ്റ് നിർമ്മാണം
- D. ചുട്ടു കട്ടുകൾ

താഴെ തന്നിരിക്കുന്ന ഓപ്ഷനുകളിൽ നിന്നും ശരിയുത്തരം തിരഞ്ഞെടുക്കുക:

- 1. A, B, C, D
- 2. D, C, A, B
- 3. D, B, A, C
- 4. B, C, A, D

**Options :**

- 485584137149. 1
- 485584137150. 2
- 485584137151. 3
- 485584137152. 4

**Question Number : 284 Question Id : 48558434289 Question Type : MCQ Option Shuffling : No Is Question Mandatory : No Calculator : None Response Time : N.A Think Time : N.A Minimum Instruction Time : 0**

**Correct Marks : 5 Wrong Marks : 1**

**Question Key Details :**

Key	Value
Comprehension	MCQ

Which two countries together controlling nearly 60 per cent of the worlds GDP 2,000 year ago.

- A. India
- B. China
- C. Romans
- D. East Africa

Choose the correct answer from the options given below:

- 1. A and C only
- 2. B and D only
- 3. A and B only
- 4. C and D only

**Options :**

- 485584137153. 1
- 485584137154. 2
- 485584137155. 3
- 485584137156. 4

**Question Number : 284 Question Id : 48558434289 Question Type : MCQ Option Shuffling : No Is Question Mandatory : No Calculator : None Response Time : N.A Think Time : N.A Minimum Instruction Time : 0**

**Correct Marks : 5 Wrong Marks : 1**

**Question Key Details :**

Key	Value
Comprehension	MCQ

2,000 വർഷങ്ങൾക്കു മുമ്പ് ലോക ജിഡിപിയുടെ ഏകദേശം 60 ശതമാനത്തിനു മേൽ നിയന്ത്രണം ഉണ്ടായിരുന്ന രണ്ട് രാജ്യങ്ങൾ ഇതെല്ലാം?

- A. ഇന്ത്യ
- B. ചൈന
- C. റോമക്കാർ
- D. കിഴക്കൻ ആഫ്രിക്ക

താഴെ തന്നിരിക്കുന്ന ഓപ്ഷനുകളിൽ നിന്നും ശരിയുത്തരം തിരഞ്ഞെടുക്കുക:

- 1. A യും C യും മാത്രം
- 2. B യും D യും മാത്രം
- 3. A യും B യും മാത്രം
- 4. C യും D യും മാത്രം

**Options :**

- 485584137153. 1
- 485584137154. 2
- 485584137155. 3
- 485584137156. 4

**Question Number : 285 Question Id : 48558434290 Question Type : MCQ Option Shuffling : No Is Question Mandatory : No Calculator : None Response Time : N.A Think Time : N.A Minimum Instruction Time : 0**

**Correct Marks : 5 Wrong Marks : 1**

**Question Key Details :**

Key	Value
Comprehension	MCQ

In which century, Roman empire began the trade with India?

- 1. 3<sup>rd</sup> Century BCE
- 2. 4<sup>th</sup> Century BCE
- 3. 2<sup>nd</sup> Century BCE
- 4. 5<sup>th</sup> Century BCE

**Options :**

- 485584137157. 1
- 485584137158. 2
- 485584137159. 3
- 485584137160. 4

**Question Number : 285 Question Id : 48558434290 Question Type : MCQ Option Shuffling : No Is Question Mandatory : No Calculator : None Response Time : N.A Think Time : N.A Minimum Instruction Time : 0**

**Correct Marks : 5 Wrong Marks : 1**

**Question Key Details :**

Key	Value
-----	-------



ഇന്ത്യയുമായി ഏത് നൂറ്റാണ്ടിലാണ് റോമാ സാമ്രാജ്യം കച്ചവടം ആരംഭിച്ചത്?

1. ബിസി 3-ആം നൂറ്റാണ്ട്
2. ബിസി 4-ആം നൂറ്റാണ്ട്
3. ബിസി 2-ആം നൂറ്റാണ്ട്
4. ബിസി 5-ആം നൂറ്റാണ്ട്

**Options :**

- 485584137157. 1
- 485584137158. 2
- 485584137159. 3
- 485584137160. 4

**Question Number : 286 Question Id : 48558434291 Question Type : MCQ Option Shuffling : No Is Question Mandatory : No Calculator : None Response Time : N.A Think Time : N.A Minimum Instruction Time : 0**

**Correct Marks : 5 Wrong Marks : 1**

**Question Key Details :**

<b>Key</b>	<b>Value</b>
Comprehension	MCQ

Match List I with List II

LIST I		LIST II	
A.	Chau	I.	Harvest time
B.	Bihu	II.	Polished Sticks
C.	Dollu Kunitha	III.	Mask
D.	Dandiya	IV.	drum dance

Choose the correct answer from the options given below:

1. A-III, B-I, C-IV, D-II
2. A-II, B-I, C-III, D-IV
3. A-IV, B-III, C-II, D-I
4. A-I, B-II, C-III, D-IV

**Options :**

- 485584137161. 1
- 485584137162. 2
- 485584137163. 3
- 485584137164. 4

**Question Number : 286 Question Id : 48558434291 Question Type : MCQ Option Shuffling : No Is Question Mandatory : No Calculator : None Response Time : N.A Think Time : N.A Minimum Instruction Time : 0**

**Correct Marks : 5 Wrong Marks : 1**

**Question Key Details :**

<b>Key</b>	<b>Value</b>
------------	--------------

ചേരുംപടി ചേർക്കുക

പട്ടിക I		പട്ടിക II	
A.	ചന്ദ്ര	I.	കൊയ്ത്തു കാലം
B.	ബിഹൂ	II.	പോളിഷ് ചെയ്ത ദണ്ഡുകൾ
C.	ദൊല്ലു-കുനിത	III.	മാസ്
D.	ദണ്ഡിയ	IV.	ഡ്രം ഡാൻസ്

താഴെ തന്നിരിക്കുന്ന ഓപ്ഷനുകളിൽ നിന്നും ശരിയുത്തരം തിരഞ്ഞെടുക്കുക:

1. A-III, B-I, C-IV, D-II
2. A-II, B-I, C-III, D-IV
3. A-IV, B-III, C-II, D-I
4. A-I, B-II, C-III, D-IV

**Options :**

485584137161. 1  
485584137162. 2  
485584137163. 3  
485584137164. 4

**Question Number : 287 Question Id : 48558434292 Question Type : MCQ Option Shuffling : No Is Question Mandatory : No Calculator : None Response Time : N.A Think Time : N.A Minimum Instruction Time : 0**

**Correct Marks : 5 Wrong Marks : 1**

**Question Key Details :**

Key	Value
Comprehension	MCQ

Silpasastra or Vastu Vidya the science of architecture was studied in ancient India within

- A. Ayurveda
- B. Dhanurved
- C. Jyotisa
- D. Rgveda

Choose the correct answer from the options given below:

1. B, D, C only
2. A, C, D only
3. A, D, B only
4. A, B, C only

**Options :**

485584137165. 1  
485584137166. 2  
485584137167. 3  
485584137168. 4

Question Number : 287 Question Id : 48558434292 Question Type : MCQ Option Shuffling : No Is Question Mandatory : No Calculator : None Response Time : N.A Think Time : N.A Minimum Instruction Time : 0 Correct Marks : 5 Wrong Marks : 1

Question Key Details :

Key	Value
Comprehension	MCQ

പുരാതന ഇന്ത്യയിൽ ശിൽപശാസ്ത്രം അഥവാ വാസ്തുവിദ്യ എന്തിന്റെ ഭാഗമായാണ് പഠിച്ചിരുന്നത്?

- A. ആയുർവേദം
- B. ധനുർവേദം
- C. ജ്യോതിഷം
- D. ള്ശേപദം

താഴെ തന്നിരിക്കുന്ന ഓപ്ഷനുകളിൽ നിന്നും ശരിയുത്തരം തിരഞ്ഞെടുക്കുക:

- 1. B, D, C മാത്രം
- 2. A, C, D മാത്രം
- 3. A, D, B മാത്രം
- 4. A, B, C മാത്രം

Options :

- 485584137165. 1
- 485584137166. 2
- 485584137167. 3
- 485584137168. 4

Question Number : 288 Question Id : 48558434293 Question Type : MCQ Option Shuffling : No Is Question Mandatory : No Calculator : None Response Time : N.A Think Time : N.A Minimum Instruction Time : 0 Correct Marks : 5 Wrong Marks : 1

Question Key Details :

Key	Value
Comprehension	MCQ

Match List I with List II

LIST I		LIST II	
A.	Kucipudi	I.	Manipur
B.	Manipuri	II.	Uttar Pradesh
C.	Odissi	III.	Andhra Pradesh
D.	Kathak	IV.	Odisha

Choose the correct answer from the options given below:

1. A-III, B-I, C-IV, D-II
2. A-I, B-II, C-III, D-IV
3. A-III, B-II, C-I, D-IV
4. A-IV, B-III, C-II, D-I

**Options :**

485584137169. 1  
 485584137170. 2  
 485584137171. 3  
 485584137172. 4

**Question Number : 288 Question Id : 48558434293 Question Type : MCQ Option Shuffling : No Is Question Mandatory : No Calculator : None Response Time : N.A Think Time : N.A Minimum Instruction Time : 0**

**Correct Marks : 5 Wrong Marks : 1**

**Question Key Details :**

Key	Value
Comprehension	MCQ

ചേരുംപടി ചേർക്കുക

പട്ടിക I		പട്ടിക II	
A.	കുച്ചിപ്പുഡി	I.	മണിപ്പൂർ
B.	മണിപ്പൂരി	II.	ഉത്തർപ്രദേശ്
C.	ഒഡീസി	III.	ആന്ധ്രപ്രദേശ്
D.	കഥക്	IV.	ഒഡീഷ

താഴെ തന്നിരിക്കുന്ന ഓപ്ഷനുകളിൽ നിന്നും ശരിയുത്തരം തിരഞ്ഞെടുക്കുക:

1. A-III, B-I, C-IV, D-II
2. A-I, B-II, C-III, D-IV
3. A-III, B-II, C-I, D-IV
4. A-IV, B-III, C-II, D-I

**Options :**

485584137169. 1  
 485584137170. 2  
 485584137171. 3  
 485584137172. 4

**Question Number : 289 Question Id : 48558434294 Question Type : MCQ Option Shuffling : No Is Question Mandatory : No Calculator : None Response Time : N.A Think Time : N.A Minimum Instruction Time : 0**

**Correct Marks : 5 Wrong Marks : 1**

**Question Key Details :**

Key	Value
Comprehension	MCQ

Choose the correct order of Vedas as suggested below:

- A. Samveda
- B. Atharveda
- C. Rgveda
- D. Yajurveda

Choose the correct answer from the options given below:

- 1. A - B - C - D
- 2. C - D - A - B
- 3. B - C - A - D
- 4. D - C - A - B

**Options :**

- 485584137173. 1
- 485584137174. 2
- 485584137175. 3
- 485584137176. 4

**Question Number : 289 Question Id : 48558434294 Question Type : MCQ Option Shuffling : No Is Question Mandatory : No Calculator : None Response Time : N.A Think Time : N.A Minimum Instruction Time : 0**

**Correct Marks : 5 Wrong Marks : 1**

**Question Key Details :**

Key	Value
Comprehension	MCQ

തന്നിരിക്കുന്നവയിൽ നിന്നും വേദങ്ങളുടെ ശരിയായ ക്രമീകരണം തിരഞ്ഞെടുക്കുക:

- A. സാമവേദം
- B. അഥർവവേദം
- C. ഋഗ്വേദം
- D. യജുർവേദം

താഴെ തന്നിരിക്കുന്ന ഓപ്ഷനുകളിൽ നിന്നും ശരിയുത്തരം തിരഞ്ഞെടുക്കുക:

- 1. A - B - C - D
- 2. C - D - A - B
- 3. B - C - A - D
- 4. D - C - A - B

**Options :**

- 485584137173. 1
- 485584137174. 2
- 485584137175. 3
- 485584137176. 4

**Question Number : 290 Question Id : 48558434295 Question Type : MCQ Option Shuffling : No Is Question Mandatory : No Calculator : None Response Time : N.A Think Time : N.A Minimum Instruction Time : 0 Correct Marks : 5 Wrong Marks : 1**

**Question Key Details :**

Key	Value
Comprehension	MCQ

Which fort is known for not being on a hilltop?

- 1. Gwalior Fort
- 2. Mehrangarh Fort
- 3. Junagarh fort
- 4. Amber Fort

**Options :**

- 485584137177. 1
- 485584137178. 2
- 485584137179. 3
- 485584137180. 4

**Question Number : 290 Question Id : 48558434295 Question Type : MCQ Option Shuffling : No Is Question Mandatory : No Calculator : None Response Time : N.A Think Time : N.A Minimum Instruction Time : 0 Correct Marks : 5 Wrong Marks : 1**

**Question Key Details :**

Key	Value
Comprehension	MCQ

തന്നിരിക്കുന്നവയിൽ ഏത് കോട്ടയാണ് മലമുകളിൽ സ്ഥിതി ചെയ്യാത്തത്?

1. ഗ്വാളിയോർ കോട്ട
2. മെഹ്റാൻഗർ കോട്ട
3. ജൂനാഗർ കോട്ട
4. ആമ്പർ കോട്ട

**Options :**

485584137177. 1  
485584137178. 2  
485584137179. 3  
485584137180. 4

**Sub-Section Number :** 2  
**Sub-Section Id :** 4855842543  
**Question Shuffling Allowed :** No  
**Is Section Default? :** null

**Question Number : 291 Question Id : 48558434296 Question Type : MCQ Option Shuffling : No Is Question Mandatory : No Calculator : None Response Time : N.A Think Time : N.A Minimum Instruction Time : 0**

**Correct Marks : 5 Wrong Marks : 1**

**Question Key Details :**

Key	Value
Comprehension	Compl

Read the passage and answer the following questions given below:-

Kathakali is a classical dance form which originated in Kerala. Katha in Sanskrit means story and kali in Malayalam means play. So Kathakali is a play based on a story. Kathakali, like other classical dances of India, has its origins in Bharata Muni's Natyasastra. It is an art which has evolved from many social and religious theatrical art forms like Cakiarkottu, Kudiattam, Krsnattam, Ramattam which existed in the Southern region in ancient times. The main custodian of Kathakali is the famous poet Vallathol Narayana Menon who established Kerala Kalamandalam in 1930 for the preservation of this art form.

Kathakali, a stylised art form, is a blend of dance music and acting and dramatizes stories mostly adapted from the Indian epics. All the four aspects of abhinaya - angika, vacika, aharya, Sattrika and the three components of the dance - natya, nrta and nrtya are unified flawlessly in this form, As far as the costume of this dance form is concerned, it is elaborate and designed to heighten the effect of physical strength. The large overcoats, the flowing scarves, the bulging skirts, the antique ornaments, the strikingly opulent head dresses with streaming hair flowing down to the waist and covering the back all create enlarged figures well befitting the sculptured facial features and produce tremendously impressive impersonations. If the characters are Sattvika (a righteous character or hero), the basic make up is pacca (green); if the characters are rajsika (a character with particular vices or anti hero) the basic make up is cutti (white); and if the characters are tamsika (an evil character or villain), the basic green make up is broken up by red patches. Also, on the basic green make up, an oral red and white design is made on the nose and on the upper nose.

Classical Dance form Kathakali originated in which state of India?

- 1. Karnataka
- 2. Tamil Nadu
- 3. Andhra Pradesh
- 4. Kerala

**Options :**

- 485584137181. 1
- 485584137182. 2
- 485584137183. 3
- 485584137184. 4

**Question Number : 291 Question Id : 48558434296 Question Type : MCQ Option Shuffling : No Is Question Mandatory : No Calculator : None Response Time : N.A Think Time : N.A Minimum Instruction Time : 0**

**Correct Marks : 5 Wrong Marks : 1**

**Question Key Details :**

Key	Value
Comprehension	Comp1

Read the passage and answer the following question given below:-

കേരളത്തിൽ രൂപം കൊണ്ട് ഒരു ശാസ്ത്രീയ നൃത്തരൂപമാണ് കഥകളി. സംസ്കൃതത്തിൽ 'കഥ' എന്നാൽ കഥയും 'കളി' എന്നാൽ മലയാളത്തിൽ അഭിനയവുമാണ്. അതു കൊണ്ട് കഥ അടിസ്ഥാനമാക്കിയുള്ള അഭിനയമാണ് കഥകളി. ഇന്ത്യയിലെ മറ്റ് നൃത്തരൂപങ്ങൾ പോലെ തന്നെ, കഥകളിയുടെയും ഉത്ഭവം ഭരത മൂനിയുടെ നാട്യശാസ്ത്രത്തിൽ നിന്നാണ്. തിരുക്കു ഭാഗവത് പുരാതന കാലം മുതൽ നിലനിന്നിരുന്ന രാമനാട്ടം, കൃഷ്ണനാട്ടം, കൂടിയാട്ടം, ചാക്യാർകൂത്ത് തുടങ്ങിയ സാമൂഹികവും മതാടിസ്ഥാനത്തിലുള്ളതുമായ അഭിനയ രൂപങ്ങളിൽ നിന്നാണ് കഥകളി ഉരുത്തിരിഞ്ഞ് വന്നത്. 1930-ൽ കഥകളിയുടെ സംരക്ഷണത്തിന് വേണ്ടി കേരള കലാമണ്ഡലം സ്ഥാപിച്ച വള്ളത്തോൾ നാരായണ മേനോൻ ആണ് കഥകളിയുടെ ഒരു പ്രധാന സംരക്ഷകൻ.

കഥകളി എന്നത് നൃത്ത സംഗീതവും അഭിനയവും സംയോജിപ്പിക്കുന്ന കലാരൂപമാണ്. ഇന്ത്യൻ ഇതിഹാസങ്ങളിൽ നിന്നുള്ള കഥകളാണ് ഇതിൽ അവതരിപ്പിക്കപ്പെടുന്നത്. നൃത്തത്തിന്റെ മൂന്ന് ഘടകങ്ങളായ നാട്യം, നൃത്ത, നൃത്യ എന്നിവയും അഭിനയത്തിന്റെ നാല് ഘടകങ്ങളായ ആംഗ്യം, വാചികം, ആഹാര്യം, സാത്രിക എന്നിവയും കഥകളിയിൽ അടങ്ങിയിരിക്കുന്നു. ശാരീരിക ശക്തിയുടെ പ്രഭാവം കാണിക്കുന്ന രീതിയിലുള്ള വസ്ത്രധാരണമാണ് ഈ കലാരൂപത്തിനുള്ളത്. ഓവർകോട്ട് പോലെയുള്ള വസ്ത്രങ്ങൾ, കഴുത്തിൽ തൂങ്ങിയിടുന്ന നീളൻ ഹാരങ്ങൾ, പുറത്തേക്ക് തള്ളി നിൽക്കുന്ന തരം പാവാടകൾ, ആന്റിക് ശൈലിയിലുള്ള ആഭരണങ്ങൾ, അത്യാകർഷകമായ കിരീടം, അരക്കെട്ടു വരെ നീണ്ടു കിടക്കുന്ന മുടി, ശിൽപചാതുരിയുള്ള മുഖഭാവങ്ങൾ എന്നിവയെല്ലാം ചേർന്ന് കഥകളിയെ വളരെ ആകർഷകമാക്കുന്നു. സാത്വക സ്വഭാവമുള്ള കഥാപാത്രങ്ങളെ അവതരിപ്പിക്കുന്നതിന് (നീതിമാനായ ഹിരോ) പച്ചയും രാജസിക കഥാപാത്രങ്ങൾക്ക് ചുട്ടിയും തമസിക കഥാപാത്രങ്ങൾക്ക് ചുവപ്പ് കുത്തുകളോടു കൂടിയ പച്ച മേക്കപ്പും ഉപയോഗിക്കുന്നു. കൂടാതെ, പച്ച മേക്കപ്പിന് മുകളിൽ മൂക്കിന്റെ അഗ്രഭാഗത്ത് ചുവപ്പും വെള്ളയും ഡിസൈസനുകളും ഉപയോഗിക്കുന്നു.

ശാസ്ത്രീയ നൃത്തരൂപമായ കഥകളി ഇന്ത്യയിലെ ഏത് സംസ്ഥാനത്താണ് ഉണ്ടായത്?

- 1. കർണാടക
- 2. തമിഴ്നാട്
- 3. ആന്ധ്രപ്രദേശ്
- 4. കേരളം

**Options :**



485584137181. 1  
485584137182. 2  
485584137183. 3  
485584137184. 4

**Question Number : 292 Question Id : 48558434297 Question Type : MCQ Option Shuffling : No Is Question Mandatory : No Calculator : None Response Time : N.A Think Time : N.A Minimum Instruction Time : 0**

**Correct Marks : 5 Wrong Marks : 1**

**Question Key Details :**

Key	Value
Comprehension	Comp1

Read the passage and answer the following questions given below:-

Kathakali is a classical dance form which originated in Kerala. Katha in Sanskrit means story and kali in Malayalam means play. So Kathakali is a play based on a story. Kathakali, like other classical dances of India, has its origins in Bharata Muni's Natyasastra. It is an art which has evolved from many social and religious theatrical art forms like Cakiarkottu, Kudiattam, Krsnattam, Ramattam which existed in the Southern region in ancient times. The main custodian of Kathakali is the famous poet Vallathol Narayana Menon who established Kerala Kalamandalam in 1930 for the preservation of this art form.

Kathakali, a stylised art form, is a blend of dance music and acting and dramatizes stories mostly adapted from the Indian epics. All the four aspects of abhinaya - angika, vacika, aharya, Sattrika and the three components of the dance - natya, nrtya and nrtya are unified flawlessly in this form. As far as the costume of this dance form is concerned, it is elaborate and designed to heighten the effect of physical strength. The large overcoats, the flowing scarves, the bulging skirts, the antique ornaments, the strikingly opulent head dresses with streaming hair flowing down to the waist and covering the back all create enlarged figures well befitting the sculptured facial features and produce tremendously impressive impersonations. If the characters are Sattvika (a righteous character or hero), the basic make up is pacca (green); if the characters are rajsika (a character with particular vices or anti hero) the basic make up is cutti (white); and if the characters are tamsika (an evil character or villain), the basic green make up is broken up by red patches. Also, on the basic green make up, an oral red and white design is made on the nose and on the upper nose.

Name the main custodian of Kathakali who established Kerala Kalamandalam in 1930 for the preservation of this art form?

1. Vedantam Lakshmi Narayana
2. Cinta Krsnamurthy
3. Vallathol Narayana Menon
4. Rukmini Devi

**Options :**

485584137185. 1  
485584137186. 2  
485584137187. 3  
485584137188. 4

**Question Number : 292 Question Id : 48558434297 Question Type : MCQ Option Shuffling : No Is Question Mandatory : No Calculator : None Response Time : N.A Think Time : N.A Minimum Instruction Time : 0**

**Correct Marks : 5 Wrong Marks : 1**

**Question Key Details :**

Key	Value
Comprehension	Comp1

Read the passage and answer the following question given below:-

കേരളത്തിൽ രൂപം കൊണ്ട് ഒരു ശാസ്ത്രീയ ന്യൂനതരൂപമാണ് കഥകളി. സംസ്കൃതത്തിൽ 'കഥ' എന്നാൽ കഥയും 'കളി' എന്നാൽ മലയാളത്തിൽ അഭിനയവുമാണ്. അതു കൊണ്ട് കഥ അടിസ്ഥാനമാക്കിയുള്ള അഭിനയമാണ് കഥകളി. ഇന്ത്യയിലെ മറ്റ് ന്യൂനതരൂപങ്ങൾ പോലെ തന്നെ, കഥകളിയുടെയും ഉത്ഭവം ഭരത മൂനിയുടെ നാട്യശാസ്ത്രത്തിൽ നിന്നാണ്. തെക്കു ഭാഗത്ത് പുരാതന കാലം മുതൽ നിലനിന്നിരുന്ന രാമനാട്ടം, കൃഷ്ണനാട്ടം, കൂടിയാട്ടം, ചാക്യാർകൂത്ത് തുടങ്ങിയ സാമൂഹികവും മതാടിസ്ഥാനത്തിലുള്ളതുമായ അഭിനയ രൂപങ്ങളിൽ നിന്നാണ് കഥകളി ഉരുത്തിരിഞ്ഞത്. 1930-ൽ കഥകളിയുടെ സംരക്ഷണത്തിന് വേണ്ടി കേരള കലാമണ്ഡലം സ്ഥാപിച്ച വള്ളത്തോൾ നാരായണ മേനോൻ ആണ് കഥകളിയുടെ ഒരു പ്രധാന സംരക്ഷകൻ.

കഥകളി എന്നത് ന്യൂന സംഗീതവും അഭിനയവും സംയോജിപ്പിക്കുന്ന കലാരൂപമാണ്. ഇന്ത്യൻ ഇതിഹാസങ്ങളിൽ നിന്നുള്ള കഥകളാണ് ഇതിൽ അവതരിപ്പിക്കപ്പെടുന്നത്. ന്യൂനതരൂപത്തിന്റെ മൂന്ന് ഘടകങ്ങളായ നാട്യം, നൃത്തം, നൃത്യ എന്നിവയും അഭിനയത്തിന്റെ നാല് ഘടകങ്ങളായ ആംഗ്യം, വാചികം, ആഹാര്യം, സാത്രിക എന്നിവയും കഥകളിയിൽ അടങ്ങിയിരിക്കുന്നു. ശാരീരിക ശക്തിയുടെ പ്രഭാവം കാണിക്കുന്ന രീതിയിലുള്ള വസ്ത്രധാരണമാണ് ഈ കലാരൂപത്തിനുള്ളത്. ഓവർകോട്ട് പോലെയുള്ള വസ്ത്രങ്ങൾ, കഴുത്തിൽ തൂങ്ങിയിട്ടുള്ള നീളൻ ഹാരങ്ങൾ, പുറത്തേക്ക് തള്ളി നിൽക്കുന്ന തരം പാവടകൾ, ആന്തീക ശൈലിയിലുള്ള ആഭരണങ്ങൾ, അത്യാകർഷകമായ കിരീടം, അരക്കെട്ടു വരെ നീണ്ടു കിടക്കുന്ന മുടി, ശിൽപചാതുരിയുള്ള മുഖഭാവങ്ങൾ എന്നിവയെല്ലാം ചേർന്ന് കഥകളിയെ വളരെ ആകർഷകമാക്കുന്നു. സാത്രിക സ്വഭാവമുള്ള കഥാപാത്രങ്ങളെ അവതരിപ്പിക്കുന്നതിന് (നീതിമാനായ ഹീറോ) പച്ചയും രാജസീക കഥാപാത്രങ്ങൾക്ക് ചുട്ടിയും തമസീക കഥാപാത്രങ്ങൾക്ക് ചുവപ്പ് കുത്തുകളോടു കൂടിയ പച്ച മേക്കപ്പും ഉപയോഗിക്കുന്നു. കൂടാതെ, പച്ച മേക്കപ്പിന് മുകളിൽ മുക്കിന്റെ അഗ്രഭാഗത്ത് ചുവപ്പും വെള്ളയും ഡിസൈനുകളും ഉപയോഗിക്കുന്നു.

കഥകളി സംരക്ഷിക്കുന്നതിനു വേണ്ടി 1930-ൽ കേരള കലാമണ്ഡലം സ്ഥാപിച്ച കഥകളിയുടെ സംരക്ഷകന്റെ പേര് എന്ത്?

1. വേദാന്തം ലക്ഷ്മി നാരായണ
2. ചിന്ത കുപ്പമൂർത്തി
3. വള്ളത്തോൾ നാരായണ മേനോൻ
4. രുഗ്മിണി ദേവി

**Options :**

- 485584137185. 1
- 485584137186. 2
- 485584137187. 3
- 485584137188. 4

**Question Number : 293 Question Id : 48558434298 Question Type : MCQ Option Shuffling : No Is Question Mandatory : No Calculator : None Response Time : N.A Think Time : N.A Minimum Instruction Time : 0**

**Correct Marks : 5 Wrong Marks : 1**

**Question Key Details :**

Key	Value
Comprehension	Comp1

Read the passage and answer the following questions given below:-

Kathakali is a classical dance form which originated in Kerala. Katha in Sanskrit means story and kali in Malayalam means play. So Kathakali is a play based on a story. Kathakali, like other classical dances of India, has its origins in Bharata Muni's Natyasastra. It is an art which has evolved from many social and religious theatrical art forms like Cakiarkottu, Kudiattam, Krsnattam, Ramattam which existed in the Southern region in ancient times. The main custodian of Kathakali is the famous poet Vallathol Narayana Menon who established Kerala Kalamandalam in 1930 for the preservation of this art form.

Kathakali, a stylised art form, is a blend of dance music and acting and dramatizes stories mostly adapted from the Indian epics. All the four aspects of abhinaya - angika, vacika, aharya, Sattrika and the three components of the dance - natya, nrta and nrtya are unified flawlessly in this form, As far as the costume of this dance form is concerned, it is elaborate and designed to heighten the effect of physical strength. The large overcoats, the flowing scarves, the bulging skirts, the antique ornaments, the strikingly opulent head dresses with streaming hair flowing down to the waist and covering the back all create enlarged figures well befitting the sculptured facial features and produce tremendously impressive impersonations. If the characters are Sattvika (a righteous character or hero), the basic make up is pacca (green); if the characters are rajsika (a character with particular vices or anti hero) the basic make up is cutti (white); and if the characters are tamsika (an evil character or villain), the basic green make up is broken up by red patches. Also, on the basic green make up, an oral red and white design is made on the nose and on the upper nose.

How many aspects of Abhinaya?

1. 2
2. 3
3. 4
4. 5

**Options :**

485584137189. 1  
485584137190. 2  
485584137191. 3  
485584137192. 4

**Question Number : 293 Question Id : 48558434298 Question Type : MCQ Option Shuffling : No Is Question Mandatory : No Calculator : None Response Time : N.A Think Time : N.A Minimum Instruction Time : 0**

**Correct Marks : 5 Wrong Marks : 1**

**Question Key Details :**

Key	Value
Comprehension	Comp1

Read the passage and answer the following question given below:-

കേരളത്തിൽ രൂപം കൊണ്ട് ഒരു ശാസ്ത്രീയ നൂതനരൂപമാണ് കഥകളി. സംസ്കൃതത്തിൽ 'കഥ' എന്നാൽ കഥയും 'കളി' എന്നാൽ മലയാളത്തിൽ അഭിനയവുമാണ്. അതു കൊണ്ട് കഥ അടിസ്ഥാനമാക്കിയുള്ള അഭിനയമാണ് കഥകളി. ഇന്ത്യയിലെ മറ്റ് നൂതനരൂപങ്ങൾ പോലെ തന്നെ, കഥകളിയുടെയും ഉത്ഭവം ഭരത മൂനിയുടെ നാട്യശാസ്ത്രത്തിൽ നിന്നാണ്. തെക്കു ഭാഗത്ത് പുരാതന കാലം മുതൽ നിലനിന്നിരുന്ന രാമനാട്ടം, കൃഷ്ണനാട്ടം, കൂടിയാട്ടം, ചാക്യാർകുത്ത് തുടങ്ങിയ സാമൂഹികവും മതാടിസ്ഥാനത്തിലുള്ളതുമായ അഭിനയ രൂപങ്ങളിൽ നിന്നാണ് കഥകളി ഉരുത്തിരിഞ്ഞ് വന്നത്. 1930-ൽ കഥകളിയുടെ സംരക്ഷണത്തിന് വേണ്ടി കേരള കലാമണ്ഡലം സ്ഥാപിച്ച വള്ളത്തോൾ നാരായണ മേനോൻ ആണ് കഥകളിയുടെ ഒരു പ്രധാന സംരക്ഷകൻ.

കഥകളി എന്നത് നൂതന സംഗീതവും അഭിനയവും സംയോജിപ്പിക്കുന്ന കലാരൂപമാണ്. ഇന്ത്യൻ ഇതിഹാസങ്ങളിൽ നിന്നുള്ള കഥകളാണ് ഇതിൽ അവതരിപ്പിക്കപ്പെടുന്നത്. നൂതനത്തിന്റെ മൂന്ന് ഘടകങ്ങളായ നാട്യം, നൃത്തം, നൃത്യ എന്നിവയും അഭിനയത്തിന്റെ നാല് ഘടകങ്ങളായ ആംഗ്യം, വാചികം, ആഹാര്യം, സാത്രിക എന്നിവയും കഥകളിയിൽ അടങ്ങിയിരിക്കുന്നു. ശാരീരിക ശക്തിയുടെ പ്രഭാവം കാണിക്കുന്ന രീതിയിലുള്ള വസ്ത്രധാരണമാണ് ഈ കലാരൂപത്തിനുള്ളത്. ഓവർകോട്ട് പോലെയുള്ള വസ്ത്രങ്ങൾ, കഴുത്തിൽ തൂങ്ങിയാടുന്ന നീളൻ ഹാരങ്ങൾ, പുറത്തേക്ക് തള്ളി നിൽക്കുന്ന തരം പാവുകൾ, ആന്തിക ശൈലിയിലുള്ള ആഭരണങ്ങൾ, അത്യാകർഷകമായ കിരീടം, അരക്കെട്ടു വരെ നീണ്ടു കിടക്കുന്ന മുടി, ശിൽപചാതുരിയുള്ള മുഖഭാവങ്ങൾ എന്നിവയെല്ലാം ചേർന്ന് കഥകളിയെ വളരെ ആകർഷകമാക്കുന്നു. സാത്രിക സ്വഭാവമുള്ള കഥാപാത്രങ്ങളെ അവതരിപ്പിക്കുന്നതിന് (നീതിമാനായ ഹീറോ) പച്ചയും രാജസീക കഥാപാത്രങ്ങൾക്ക് ചുട്ടിയും തമസീക കഥാപാത്രങ്ങൾക്ക് ചുവപ്പ് കുത്തുകളോടു കൂടിയ പച്ച മേക്കപ്പും ഉപയോഗിക്കുന്നു. കൂടാതെ, പച്ച മേക്കപ്പിന് മുകളിൽ മുക്കിന്റെ അഗ്രഭാഗത്ത് ചുവപ്പും വെള്ളയും ഡിസൈനുകളും ഉപയോഗിക്കുന്നു.

അഭിനയത്തിന് എത്ര വശങ്ങൾ ഉണ്ട്?

- 1. 2
- 2. 3
- 3. 4
- 4. 5

**Options :**

- 485584137189. 1
- 485584137190. 2
- 485584137191. 3
- 485584137192. 4

**Question Number : 294 Question Id : 48558434299 Question Type : MCQ Option Shuffling : No Is Question Mandatory : No Calculator : None Response Time : N.A Think Time : N.A Minimum Instruction Time : 0**

**Correct Marks : 5 Wrong Marks : 1**

**Question Key Details :**

Key	Value
Comprehension	Comp1

Read the passage and answer the following questions given below:-

Kathakali is a classical dance form which originated in Kerala. Katha in Sanskrit means story and kali in Malayalam means play. So Kathakali is a play based on a story. Kathakali, like other classical dances of India, has its origins in Bharata Muni's Natyasastra. It is an art which has evolved from many social and religious theatrical art forms like Cakiarkottu, Kudiattam, Krsnattam, Ramattam which existed in the Southern region in ancient times. The main custodian of Kathakali is the famous poet Vallathol Narayana Menon who established Kerala Kalamandalam in 1930 for the preservation of this art form.

Kathakali, a stylised art form, is a blend of dance music and acting and dramatizes stories mostly adapted from the Indian epics. All the four aspects of abhinaya - angika, vacika, aharya, Sattrika and the three components of the dance - natya, nrta and nrtya are unified flawlessly in this form. As far as the costume of this dance form is concerned, it is elaborate and designed to heighten the effect of physical strength. The large overcoats, the flowing scarves, the bulging skirts, the antique ornaments, the strikingly opulent head dresses with streaming hair flowing down to the waist and covering the back all create enlarged figures well befitting the sculptured facial features and produce tremendously impressive impersonations. If the characters are Sattvika (a righteous character or hero), the basic make up is pacca (green); if the characters are rajsika (a character with particular vices or anti hero) the basic make up is cutti (white); and if the characters are tamsika (an evil character or villain), the basic green make up is broken up by red patches. Also, on the basic green make up, an oral red and white design is made on the nose and on the upper nose.

Which of the following is not the component of dance?

1. natya
2. vacika
3. nrta
4. nrtya

**Options :**

485584137193. 1  
485584137194. 2  
485584137195. 3  
485584137196. 4

**Question Number : 294 Question Id : 48558434299 Question Type : MCQ Option Shuffling : No Is Question Mandatory : No Calculator : None Response Time : N.A Think Time : N.A Minimum Instruction Time : 0**

**Correct Marks : 5 Wrong Marks : 1**

**Question Key Details :**

Key	Value
Comprehension	Comp1

Read the passage and answer the following question given below:-

കേരളത്തിൽ രൂപം കൊണ്ട് ഒരു ശാസ്ത്രീയ നൂതനരൂപമാണ് കഥകളി. സംസ്കൃതത്തിൽ 'കഥ' എന്നാൽ കഥയും 'കളി' എന്നാൽ മലയാളത്തിൽ അഭിനയവുമാണ്. അതു കൊണ്ട് കഥ അടിസ്ഥാനമാക്കിയുള്ള അഭിനയമാണ് കഥകളി. ഇന്ത്യയിലെ മറ്റ് നൂതനരൂപങ്ങൾ പോലെ തന്നെ, കഥകളിയുടെയും ഉത്ഭവം ഭരത മൂനിയുടെ നാട്യശാസ്ത്രത്തിൽ നിന്നാണ്. തെക്കു ഭാഗത്ത് പുരാതന കാലം മുതൽ നിലനിന്നിരുന്ന രാമനാട്യം, കൃഷ്ണനാട്യം, കൂടിയാട്ടം, ചാക്യാർകൂത്ത് തുടങ്ങിയ സാമൂഹികവും മതാടിസ്ഥാനത്തിലുള്ളതുമായ അഭിനയ രൂപങ്ങളിൽ നിന്നാണ് കഥകളി ഉരുത്തിരിഞ്ഞ് വന്നത്. 1930-ൽ കഥകളിയുടെ സംരക്ഷണത്തിന് വേണ്ടി കേരള കലാമണ്ഡലം സ്ഥാപിച്ച വള്ളത്തോൾ നാരായണ മേനോൻ ആണ് കഥകളിയുടെ ഒരു പ്രധാന സംരക്ഷകൻ.

കഥകളി എന്നത് നൂതന സംഗീതവും അഭിനയവും സംയോജിപ്പിക്കുന്ന കലാരൂപമാണ്. ഇന്ത്യൻ ഇതിഹാസങ്ങളിൽ നിന്നുള്ള കഥകളാണ് ഇതിൽ അവതരിപ്പിക്കപ്പെടുന്നത്. നൂതനത്തിന്റെ മൂന്ന് ഘടകങ്ങളായ നാട്യം, നൃത്ത, നൃത്യ എന്നിവയും അഭിനയത്തിന്റെ നാല് ഘടകങ്ങളായ ആംഗ്യം, വാചികം, ആഹാര്യം, സാത്രിക എന്നിവയും കഥകളിയിൽ അടങ്ങിയിരിക്കുന്നു. ശാരീരിക ശക്തിയുടെ പ്രഭാവം കാണിക്കുന്ന രീതിയിലുള്ള വസ്ത്രധാരണമാണ് ഈ കലാരൂപത്തിനുള്ളത്. ഓവർകോട്ട് പോലെയുള്ള വസ്ത്രങ്ങൾ, കഴുത്തിൽ തൂങ്ങിയാടുന്ന നീളൻ ഹാരങ്ങൾ, പുറത്തേക്ക് തള്ളി നിൽക്കുന്ന തരം പാവുകൾ, ആന്തീക ശൈലിയിലുള്ള ആഭരണങ്ങൾ, അത്യാകർഷകമായ കിരീടം, അരക്കെട്ടു വരെ നീണ്ടു കിടക്കുന്ന മുടി, ശീൽപചാതുരിയുള്ള മുഖഭാവങ്ങൾ എന്നിവയെല്ലാം ചേർന്ന് കഥകളിയെ വളരെ ആകർഷകമാക്കുന്നു. സാത്രിക സ്വഭാവമുള്ള കഥാപാത്രങ്ങളെ അവതരിപ്പിക്കുന്നതിന് (നീതിമാനായ ഹീറോ) പച്ചയും രാജസീക കഥാപാത്രങ്ങൾക്ക് ചുട്ടിയും തമസീക കഥാപാത്രങ്ങൾക്ക് ചുവപ്പ് കുത്തുകളോടു കൂടിയ പച്ച മേക്കപ്പും ഉപയോഗിക്കുന്നു. കൂടാതെ, പച്ച മേക്കപ്പിന് മുകളിൽ മുക്കിന്റെ അഗ്രഭാഗത്ത് ചുവപ്പും വെള്ളയും ഡിസൈനുകളും ഉപയോഗിക്കുന്നു.

നൂതനത്തിന്റെ ഘടകം അല്ലാത്തത് ഏത്?

- 1. നാട്യ
- 2. വാചിക
- 3. നൃത്ത
- 4. നൃത്യ

Options :

- 485584137193. 1
- 485584137194. 2
- 485584137195. 3
- 485584137196. 4

Question Number : 295 Question Id : 48558434300 Question Type : MCQ Option Shuffling : No Is Question Mandatory : No Calculator : None Response Time : N.A Think Time : N.A Minimum Instruction Time : 0

Correct Marks : 5 Wrong Marks : 1

Question Key Details :

Key	Value
Comprehension	Comp1

Read the passage and answer the following questions given below:-

Kathakali is a classical dance form which originated in Kerala. Katha in Sanskrit means story and kali in Malayalam means play. So Kathakali is a play based on a story. Kathakali, like other classical dances of India, has its origins in Bharata Muni's Natyasastra. It is an art which has evolved from many social and religious theatrical art forms like Cakiarkottu, Kudiattam, Krsnattam, Ramattam which existed in the Southern region in ancient times. The main custodian of Kathakali is the famous poet Vallathol Narayana Menon who established Kerala Kalamandalam in 1930 for the preservation of this art form.

Kathakali, a stylised art form, is a blend of dance music and acting and dramatizes stories mostly adapted from the Indian epics. All the four aspects of abhinaya - angika, vacika, aharya, Sattrika and the three components of the dance - natya, nrta and nrtya are unified flawlessly in this form, As far as the costume of this dance form is concerned, it is elaborate and designed to heighten the effect of physical strength. The large overcoats, the flowing scarves, the bulging skirts, the antique ornaments, the strikingly opulent head dresses with streaming hair flowing down to the waist and covering the back all create enlarged figures well befitting the sculptured facial features and produce tremendously impressive impersonations. If the characters are Sattvika (a righteous character or hero), the basic make up is pacca (green); if the characters are rajsika (a character with particular vices or anti hero) the basic make up is cutti (white); and if the characters are tamsika (an evil character or villain), the basic green make up is broken up by red patches. Also, on the basic green make up, an oral red and white design is made on the nose and on the upper nose.

In Kathakali dance form, Basic make up colour changes according to character. If the characters are rajsika, what will be the basic colour makeup

1. Green
2. White
3. Green with red patches
4. White with red patches

**Options :**

485584137197. 1

485584137198. 2

485584137199. 3

485584137200. 4

**Question Number : 295 Question Id : 48558434300 Question Type : MCQ Option Shuffling : No Is Question Mandatory : No Calculator : None Response Time : N.A Think Time : N.A Minimum Instruction Time : 0**

**Correct Marks : 5 Wrong Marks : 1**

**Question Key Details :**

Key	Value
Comprehension	Comp1



Read the passage and answer the following question given below:-

കേരളത്തിൽ രൂപം കൊണ്ട് ഒരു ശാസ്ത്രീയ നൂതനരൂപമാണ് കഥകളി. സംസ്കൃതത്തിൽ 'കഥ' എന്നാൽ കഥയും 'കളി' എന്നാൽ മലയാളത്തിൽ അഭിനയവുമാണ്. അതു കൊണ്ട് കഥ അടിസ്ഥാനമാക്കിയുള്ള അഭിനയമാണ് കഥകളി. ഇന്ത്യയിലെ മറ്റ് നൂതനരൂപങ്ങൾ പോലെ തന്നെ, കഥകളിയുടെയും ഉത്ഭവം ഭരത മൂനിയുടെ നാട്യശാസ്ത്രത്തിൽ നിന്നാണ്. തെക്കു ഭാഗത്ത് പുരാതന കാലം മുതൽ നിലനിന്നിരുന്ന രാമനാട്യം, കൃഷ്ണനാട്യം, കൂടിയാട്ടം, ചാക്യാർകൂത്ത് തുടങ്ങിയ സാമൂഹികവും മതാടിസ്ഥാനത്തിലുള്ളതുമായ അഭിനയ രൂപങ്ങളിൽ നിന്നാണ് കഥകളി ഉരുത്തിരിഞ്ഞ് വന്നത്. 1930-ൽ കഥകളിയുടെ സംരക്ഷണത്തിന് വേണ്ടി കേരള കലാമണ്ഡലം സ്ഥാപിച്ച വള്ളത്തോൾ നാരായണ മേനോൻ ആണ് കഥകളിയുടെ ഒരു പ്രധാന സംരക്ഷകൻ.

കഥകളി എന്നത് നൂതന സംഗീതവും അഭിനയവും സംയോജിപ്പിക്കുന്ന കലാരൂപമാണ്. ഇന്ത്യൻ ഇതിഹാസങ്ങളിൽ നിന്നുള്ള കഥകളാണ് ഇതിൽ അവതരിപ്പിക്കപ്പെടുന്നത്. നൂതനത്തിന്റെ മൂന്ന് ഘടകങ്ങളായ നാട്യം, നൃത്തം, നൃത്യ എന്നിവയും അഭിനയത്തിന്റെ നാല് ഘടകങ്ങളായ ആംഗ്യം, വാചികം, ആഹാര്യം, സാത്രിക എന്നിവയും കഥകളിയിൽ അടങ്ങിയിരിക്കുന്നു. ശാരീരിക ശക്തിയുടെ പ്രഭാവം കാണിക്കുന്ന രീതിയിലുള്ള വസ്ത്രധാരണമാണ് ഈ കലാരൂപത്തിനുള്ളത്. ഓവർകോട്ട് പോലെയുള്ള വസ്ത്രങ്ങൾ, കഴുത്തിൽ തൂങ്ങിയാടുന്ന നീളൻ ഹാരങ്ങൾ, പുറത്തേക്ക് തള്ളി നിൽക്കുന്ന തരം പാവുകൾ, ആന്തീക ശൈലിയിലുള്ള ആഭരണങ്ങൾ, അത്യാകർഷകമായ കിരീടം, അരക്കെട്ടു വരെ നീണ്ടു കിടക്കുന്ന മുടി, ശിൽപചാതുരിയുള്ള മുഖഭാവങ്ങൾ എന്നിവയെല്ലാം ചേർന്ന് കഥകളിയെ വളരെ ആകർഷകമാക്കുന്നു. സാത്രിക സ്വഭാവമുള്ള കഥാപാത്രങ്ങളെ അവതരിപ്പിക്കുന്നതിന് (നീതിമാനായ ഹീറോ) പച്ചയും രാജസീക കഥാപാത്രങ്ങൾക്ക് ചുട്ടിയും തമസീക കഥാപാത്രങ്ങൾക്ക് ചുവപ്പ് കുത്തുകളോടു കൂടിയ പച്ച മേക്കപ്പും ഉപയോഗിക്കുന്നു. കൂടാതെ, പച്ച മേക്കപ്പിന് മുകളിൽ മുക്കിന്റെ അഗ്രഭാഗത്ത് ചുവപ്പും വെള്ളയും ഡിസൈനുകളും ഉപയോഗിക്കുന്നു.

കഥകളിയിൽ കഥാപാത്രത്തിന്റെ സ്വഭാവത്തിന് അനുസരിച്ച് മേക്കപ്പിന്റെ കളർ മാറുന്നു. രാജസീക കഥാപാത്രങ്ങളുടെ മേക്കപ്പിന്റെ കളർ ഏതാണ്?

1. പച്ച
2. വെള്ള
3. പച്ചയിൽ ചുവന്ന കുത്തുകൾ
4. വെള്ളയിൽ ചുവന്ന കുത്തുകൾ

**Options :**

- 485584137197. 1
- 485584137198. 2
- 485584137199. 3
- 485584137200. 4

**Sub-Section Number :** 3  
**Sub-Section Id :** 4855842544  
**Question Shuffling Allowed :** No  
**Is Section Default? :** null

**Question Number : 296 Question Id : 48558434301 Question Type : MCQ Option Shuffling : No Is Question Mandatory : No Calculator : None Response Time : N.A Think Time : N.A Minimum Instruction Time : 0 Correct Marks : 5 Wrong Marks : 1**

**Question Key Details :**

Key	Value
Comprehension	Comp2



Read the following passage and answer the questions given below:

The moral code of the people is an indicator of their social and spiritual ways of life. The true essence of human life is to live amidst worldly joy and sorrows, Ethics is primarily concerned with the moral issues of the world. True religion lays stress on moral virtues. People are required to discharge their duties according to the moral code of ethics. A true knowledge of ethics would be attained if one practices and imbibes these moral values. Ethics is of two kinds individuals and social. Individual ethics is indicative of the good qualities that are essential for individual well-being of the good qualities that are essential for individual well-being and happiness. Social ethics represents the values that are needed for social order and harmony.

In the knowledge tradition of India ethics has its origin in its religious and philosophical thinking. From time immemorial, various religious faiths have flourished here. Every religious and every philosophical system of India has a prominent ethical component. Ethics is the core of all these systems. In every religious tradition, good moral conduct is considered essential for a happy and contented life.

Choose from the following that is not the purpose of the moral code of ethics.

1. To perform duties in the society
2. To live a balanced life between joy and sorrow
3. To live a peaceful life
4. To keep a strict discipline

**Options :**

- 485584137201. 1
- 485584137202. 2
- 485584137203. 3
- 485584137204. 4

**Question Number : 296 Question Id : 48558434301 Question Type : MCQ Option Shuffling : No Is Question Mandatory : No Calculator : None Response Time : N.A Think Time : N.A Minimum Instruction Time : 0**

**Correct Marks : 5 Wrong Marks : 1**

**Question Key Details :**

Key	Value
Comprehension	Comp2

Read the following passage and answer the questions given below:

ആളുകളുടെ സാമൂഹികവും ആത്മീയവുമായ ജീവിതത്തിന്റെ സൂചകങ്ങളാണ് അവരുടെ ധർമ്മിക മൂല്യങ്ങൾ. ലൗകിക സുഖ-ദുഃഖങ്ങൾക്കിടയിൽ ജീവിക്കുക എന്നതാണ് മനുഷ്യ ജീവിതത്തിന്റെ സത്ത. ലോകത്തിലെ ധർമ്മിക പ്രശ്നങ്ങളാണ് എത്തിക്കിന്റെ പ്രധാന പരിഗണന. യഥാർത്ഥ മതം ധർമ്മിക മൂല്യങ്ങൾക്ക് പ്രാധാന്യം നൽകുന്നു. ധർമ്മിക മൂല്യങ്ങൾക്ക് അനുസരിച്ച് ആളുകൾക്ക് അവരുടെ ഉത്തരവാദിത്തങ്ങൾ നിറവേറ്റേണ്ടി വരുന്നു. ഈ ധർമ്മിക മൂല്യങ്ങൾ സ്വാംശീകരിക്കുകയും പ്രാവർത്തികമാക്കുകയും ചെയ്യുന്ന ഒരാൾക്ക് എത്തിക്കിനെ സംബന്ധിച്ച യഥാർത്ഥ അറിവ് ലഭിക്കുന്നു. എത്തിക്ക് പ്രധാനമായും രണ്ട് വിധത്തിലാണ് ഉള്ളത് - വ്യക്തിഗതവും സാമൂഹികവും. വ്യക്തികളുടെ സന്തോഷത്തിനും സുസ്ഥിതിക്കും ഉതകുന്ന നല്ല ഗുണങ്ങൾ സൂചിപ്പിക്കുന്നതാണ് വ്യക്തിഗതമായ എത്തിക്ക്. സാമൂഹ്യക്രമത്തിനും ഐക്യത്തിനും ഉതകുന്ന മൂല്യങ്ങളാണ് സാമൂഹ്യ എത്തിക്കിന്റെ വിജയം.

അറിവിന്റെ ഇന്ത്യൻ പാരമ്പര്യത്തിൽ, മതപരവും തത്വശാസ്ത്രപരവുമായ ചിന്തയിൽ നിന്നാണ് എത്തിക്കിന്റെ ഉത്ഭവം. വളരെ പണ്ട് മുതൽ തന്നെ ഇന്ത്യയിൽ വിവിധ വിശ്വാസങ്ങൾ നിലനിന്നിട്ടുണ്ട്. ഇന്ത്യയിലെ ഓരോ മതവിഭാഗത്തിനും തത്വചിന്താ വ്യവസ്ഥയ്ക്കും പ്രധാനമായ ഒരു എത്തിക്കൽ ഭാഗമുണ്ട്. എത്തിക്ക് ആണ് ഈ വ്യവസ്ഥകളുടെ എല്ലാം കാര്യം. ഓരോ മത പാരമ്പര്യത്തിലും സന്തോഷപ്രദവും സംതൃപ്തവുമായ ജീവിതത്തിന് ധർമ്മികതയുള്ള പെരുമാറ്റം അനിവാര്യമായി കണക്കാക്കപ്പെടുന്നു.

താഴെ കൊടുത്തിരിക്കുന്നതിൽ എത്തിക്കിന്റെ ലക്ഷ്യമല്ലാത്തത് ഏത്?

1. സമൂഹത്തിലെ ധർമ്മങ്ങൾ നിർവഹിക്കുക
2. ലൗകിക സുഖ ദുഃഖങ്ങൾക്കിടയിൽ സമചിത്തതയോടെ ജീവിക്കുക
3. സമാധാന പൂർണ്ണമായ ജീവിതം നയിക്കുക
4. കടുത്ത അച്ചടക്കത്തോടെ ജീവിക്കുക

**Options :**

485584137201. 1  
485584137202. 2  
485584137203. 3  
485584137204. 4

**Question Number : 297 Question Id : 48558434302 Question Type : MCQ Option Shuffling : No Is Question Mandatory : No Calculator : None Response Time : N.A Think Time : N.A Minimum Instruction Time : 0**

**Correct Marks : 5 Wrong Marks : 1**

**Question Key Details :**

Key	Value
Comprehension	Comp2

Read the following passage and answer the questions given below:

The moral code of the people is an indicator of their social and spiritual ways of life. The true essence of human life is to live amidst worldly joy and sorrows, Ethics is primarily concerned with the moral issues of the world. True religion lays stress on moral virtues. People are required to discharge their duties according to the moral code of ethics. A true knowledge of ethics would be attained if one practices and imbibes these moral values. Ethics is of two kinds individuals and social. Individual ethics is indicative of the good qualities that are essential for individual well-being of the good qualities that are essential for individual well-being and happiness. Social ethics represents the values that are needed for social order and harmony.

In the knowledge tradition of India ethics has its origin in its religious and philosophical thinking. From time immemorial, various religious faiths have flourished here. Every religious and every philosophical system of India has a prominent ethical component. Ethics is the core of all these systems. In every religious tradition, good moral conduct is considered essential for a happy and contented life.

What are the two major types of Ethics?

1. Religious and Philosophical
2. Individual and Social
3. Opened and Closed
4. Hard and Soft

**Options :**

485584137205. 1  
485584137206. 2  
485584137207. 3

**Question Number : 297 Question Id : 48558434302 Question Type : MCQ Option Shuffling : No Is Question Mandatory : No Calculator : None Response Time : N.A Think Time : N.A Minimum Instruction Time : 0**

**Correct Marks : 5 Wrong Marks : 1**

**Question Key Details :**

Key	Value
Comprehension	Comp2

Read the following passage and answer the questions given below:

ആളുകളുടെ സാമൂഹികവും ആത്മീയവുമായ ജീവിതത്തിന്റെ സൂചകങ്ങളാണ് അവരുടെ ധാർമ്മിക മൂല്യങ്ങൾ. ലൗകിക സുഖ-ദുഃഖങ്ങൾക്കിടയിൽ ജീവിക്കുക എന്നതാണ് മനുഷ്യ ജീവിതത്തിന്റെ സത്ത. ലോകത്തിലെ ധാർമ്മിക പ്രശ്നങ്ങളാണ് എത്തിക്സിന്റെ പ്രധാന പരിഗണന. യഥാർത്ഥ മതം ധാർമ്മിക മൂല്യങ്ങൾക്ക് പ്രാധാന്യം നൽകുന്നു. ധാർമ്മിക മൂല്യങ്ങൾക്ക് അനുസരിച്ച് ആളുകൾക്ക് അവരുടെ ഉത്തരവാദിത്തങ്ങൾ നിറവേറ്റേണ്ടി വരുന്നു. ഈ ധാർമ്മിക മൂല്യങ്ങൾ സ്വാംശീകരിക്കുകയും പ്രാവർത്തികമാക്കുകയും ചെയ്യുന്ന ഒരാൾക്ക് എത്തിക്സിനെ സംബന്ധിച്ച യഥാർത്ഥ അറിവ് ലഭിക്കുന്നു. എത്തിക്സ് പ്രധാനമായും രണ്ട് വിധത്തിലാണ് ഉള്ളത് - വ്യക്തിഗതവും സാമൂഹികവും. വ്യക്തികളുടെ സന്തോഷത്തിനും സുസ്ഥിതിക്കും ഉതകുന്ന നല്ല ഗുണങ്ങൾ സൂചിപ്പിക്കുന്നതാണ് വ്യക്തിഗതമായ എത്തിക്സ്. സാമൂഹ്യക്രമത്തിനും ഐക്യത്തിനും ഉതകുന്ന മൂല്യങ്ങളാണ് സാമൂഹ്യ എത്തിക്സിന്റെ വിജയം.

അറിവിന്റെ ഇന്ത്യൻ പാരമ്പര്യത്തിൽ, മതപരവും തത്വശാസ്ത്രപരവുമായ ചിന്തയിൽ നിന്നാണ് എത്തിക്സിന്റെ ഉത്ഭവം. വളരെ പണ്ട് മുതൽ തന്നെ ഇന്ത്യയിൽ വിവിധ വിശ്വാസങ്ങൾ നിലനിന്നിട്ടുണ്ട്. ഇന്ത്യയിലെ ഓരോ മതവിഭാഗത്തിനും തത്വചിന്താ വ്യവസ്ഥയ്ക്കും പ്രധാനമായ ഒരു എത്തിക്സൽ ഭാഗമുണ്ട്. എത്തിക്സ് ആണ് ഈ വ്യവസ്ഥകളുടെ എല്ലാം കാര്യം. ഓരോ മത പാരമ്പര്യത്തിലും സന്തോഷപ്രദവും സംതൃപ്തവുമായ ജീവിതത്തിന് ധാർമ്മികതയുള്ള പെരുമാറ്റം അനിവാര്യമായി കണക്കാക്കപ്പെടുന്നു.

രണ്ട് വിധം എത്തിക്സ് ഏതെല്ലാം?

1. മതപരവും തത്വശാസ്ത്രപരവും
2. വ്യക്തിഗതവും സാമൂഹ്യപരവും
3. തുറവിയുള്ളതും അടഞ്ഞതും
4. കഠിനമായതും മൃദുവായതും

**Options :**

- 485584137205. 1
- 485584137206. 2
- 485584137207. 3
- 485584137208. 4

**Question Number : 298 Question Id : 48558434303 Question Type : MCQ Option Shuffling : No Is Question Mandatory : No Calculator : None Response Time : N.A Think Time : N.A Minimum Instruction Time : 0**

**Correct Marks : 5 Wrong Marks : 1**

**Question Key Details :**

Key	Value
Comprehension	Comp2

Read the following passage and answer the questions given below:

The moral code of the people is an indicator of their social and spiritual ways of life. The true essence of human life is to live amidst worldly joy and sorrows, Ethics is primarily concerned with the moral issues of the world. True religion lays stress on moral virtues. People are required to discharge their duties according to the moral code of ethics. A true knowledge of ethics would be attained if one practices and imbibes these moral values. Ethics is of two kinds individuals and social. Individual ethics is indicative of the good qualities that are essential for individual well-being of the good qualities that are essential for individual well-being and happiness. Social ethics represents the values that are needed for social order and harmony.

In the knowledge tradition of India ethics has its origin in its religious and philosophical thinking. From time immemorial, various religious faiths have flourished here. Every religious and every philosophical system of India has a prominent ethical component. Ethics is the core of all these systems. In every religious tradition, good moral conduct is considered essential for a happy and contented life.

In the knowledge tradition of India, Ethics originated in \_\_\_\_\_

1. Religious and Philosophical thinking
2. Traditional and Spiritual thinking
3. Broad and Positive thinking
4. Backward and Negative thinking

**Options :**

- 485584137209. 1
- 485584137210. 2
- 485584137211. 3
- 485584137212. 4

**Question Number : 298 Question Id : 48558434303 Question Type : MCQ Option Shuffling : No Is Question Mandatory : No Calculator : None Response Time : N.A Think Time : N.A Minimum Instruction Time : 0**

**Correct Marks : 5 Wrong Marks : 1**

**Question Key Details :**

Key	Value
Comprehension	Comp2

Read the following passage and answer the questions given below:

ആളുകളുടെ സാമൂഹികവും ആത്മീയവുമായ ജീവിതത്തിന്റെ സൂചകങ്ങളാണ് അവരുടെ ധാർമ്മിക മൂല്യങ്ങൾ. ലൗകിക സുഖ-ദുഃഖങ്ങൾക്കിടയിൽ ജീവിക്കുക എന്നതാണ് മനുഷ്യ ജീവിതത്തിന്റെ സത്ത. ലോകത്തിലെ ധാർമ്മിക പ്രശ്നങ്ങളാണ് എത്തിക്കിന്റെ പ്രധാന പരിഗണന. യഥാർത്ഥ മതം ധാർമ്മിക മൂല്യങ്ങൾക്ക് പ്രാധാന്യം നൽകുന്നു. ധാർമ്മിക മൂല്യങ്ങൾക്ക് അനുസരിച്ച് ആളുകൾക്ക് അവരുടെ ഉത്തരവാദിത്തങ്ങൾ നിറവേറ്റേണ്ടി വരുന്നു. ഈ ധാർമ്മിക മൂല്യങ്ങൾ സ്വാംശീകരിക്കുകയും പ്രാവർത്തികമാക്കുകയും ചെയ്യുന്ന ഒരാൾക്ക് എത്തിക്കിനെ സംബന്ധിച്ച യഥാർത്ഥ അറിവ് ലഭിക്കുന്നു. എത്തിക്ക് പ്രധാനമായും രണ്ട് വിധത്തിലാണ് ഉള്ളത് - വ്യക്തിഗതവും സാമൂഹികവും. വ്യക്തികളുടെ സന്തോഷത്തിനും സുസ്ഥിതിക്കും ഉതകുന്ന നല്ല ഗുണങ്ങൾ സൂചിപ്പിക്കുന്നതാണ് വ്യക്തിഗതമായ എത്തിക്ക്. സാമൂഹ്യക്രമത്തിനും ഐക്യത്തിനും ഉതകുന്ന മൂല്യങ്ങളാണ് സാമൂഹ്യ എത്തിക്കിന്റെ വിജയം.

അറിവിന്റെ ഇന്ത്യൻ പാരമ്പര്യത്തിൽ, മതപരവും തത്വശാസ്ത്രപരവുമായ ചിന്തയിൽ നിന്നാണ് എത്തിക്കിന്റെ ഉത്ഭവം. വളരെ പണ്ട് മുതൽ തന്നെ ഇന്ത്യയിൽ വിവിധ വിശ്വാസങ്ങൾ നിലനിന്നിട്ടുണ്ട്. ഇന്ത്യയിലെ ഓരോ മതവിഭാഗത്തിനും തത്വചിന്താ വ്യവസ്ഥയ്ക്കും പ്രധാനമായ ഒരു എത്തിക്കൻ ഭാഗമുണ്ട്. എത്തിക്ക് ആണ് ഈ വ്യവസ്ഥകളുടെ എല്ലാം കാര്യം. ഓരോ മത പാരമ്പര്യത്തിലും സന്തോഷപ്രദവും സംതൃപ്തവുമായ ജീവിതത്തിന് ധാർമ്മികതയുള്ള പെരുമാറ്റം അനിവാര്യമായി കണക്കാക്കപ്പെടുന്നു.

അറിവിന്റെ ഇന്ത്യൻ പാരമ്പര്യത്തിന്റെ എത്തിക്സ് ഉത്ഭവിച്ചത് എവിടെ?

1. മതപരവും തത്വശാസ്ത്രപരവുമായ ചിന്തയിൽ
2. പരമ്പരാഗതവും ആത്മീയവുമായ ചിന്തയിൽ
3. വിശാലവും ക്രിയാത്മകവുമായ ചിന്തയിൽ
4. പിന്തിരിപ്പനും നിഷേധാത്മകവുമായ ചിന്തയിൽ

**Options :**

- 485584137209. 1
- 485584137210. 2
- 485584137211. 3
- 485584137212. 4

**Question Number : 299 Question Id : 48558434304 Question Type : MCQ Option Shuffling : No Is Question Mandatory : No Calculator : None Response Time : N.A Think Time : N.A Minimum Instruction Time : 0**

**Correct Marks : 5 Wrong Marks : 1**

**Question Key Details :**

Key	Value
Comprehension	Comp2

Read the following passage and answer the questions given below:

The moral code of the people is an indicator of their social and spiritual ways of life. The true essence of human life is to live amidst worldly joy and sorrows, Ethics is primarily concerned with the moral issues of the world. True religion lays stress on moral virtues. People are required to discharge their duties according to the moral code of ethics. A true knowledge of ethics would be attained if one practices and imbibes these moral values. Ethics is of two kinds individuals and social. Individual ethics is indicative of the good qualities that are essential for individual well-being of the good qualities that are essential for individual well-being and happiness. Social ethics represents the values that are needed for social order and harmony.

In the knowledge tradition of India ethics has its origin in its religious and philosophical thinking. From time immemorial, various religious faiths have flourished here. Every religious and every philosophical system of India has a prominent ethical component. Ethics is the core of all these systems. In every religious tradition, good moral conduct is considered essential for a happy and contented life.

Ethics is primarily concerned with the \_\_\_\_\_

1. Social issues of the world
2. Economic issues of the world
3. Moral issues of the world
4. Religious issues of the world

**Options :**

- 485584137213. 1
- 485584137214. 2
- 485584137215. 3

**Question Number : 299 Question Id : 48558434304 Question Type : MCQ Option Shuffling : No Is Question Mandatory : No Calculator : None Response Time : N.A Think Time : N.A Minimum Instruction Time : 0**

**Correct Marks : 5 Wrong Marks : 1**

**Question Key Details :**

Key	Value
Comprehension	Comp2

Read the following passage and answer the questions given below:

ആളുകളുടെ സാമൂഹികവും ആത്മീയവുമായ ജീവിതത്തിന്റെ സൂചകങ്ങളാണ് അവരുടെ ധാർമ്മിക മൂല്യങ്ങൾ. ലൗകിക സുഖ-ദുഃഖങ്ങൾക്കിടയിൽ ജീവിക്കുക എന്നതാണ് മനുഷ്യ ജീവിതത്തിന്റെ സത്ത. ലോകത്തിലെ ധാർമ്മിക പ്രശ്നങ്ങളാണ് എത്തിക്സിന്റെ പ്രധാന പരിഗണന. യഥാർത്ഥ മതം ധാർമ്മിക മൂല്യങ്ങൾക്ക് പ്രാധാന്യം നൽകുന്നു. ധാർമ്മിക മൂല്യങ്ങൾക്ക് അനുസരിച്ച് ആളുകൾക്ക് അവരുടെ ഉത്തരവാദിത്തങ്ങൾ നിറവേറ്റേണ്ടി വരുന്നു. ഈ ധാർമ്മിക മൂല്യങ്ങൾ സ്വാംശീകരിക്കുകയും പ്രാവർത്തികമാക്കുകയും ചെയ്യുന്ന ഒരാൾക്ക് എത്തിക്സിനെ സംബന്ധിച്ച യഥാർത്ഥ അറിവ് ലഭിക്കുന്നു. എത്തിക്സ് പ്രധാനമായും രണ്ട് വിധത്തിലാണ് ഉള്ളത് - വ്യക്തിഗതവും സാമൂഹികവും. വ്യക്തികളുടെ സന്തോഷത്തിനും സുസ്ഥിതിക്കും ഉതകുന്ന നല്ല ഗുണങ്ങൾ സൂചിപ്പിക്കുന്നതാണ് വ്യക്തിഗതമായ എത്തിക്സ്. സാമൂഹ്യക്രമത്തിനും ഐക്യത്തിനും ഉതകുന്ന മൂല്യങ്ങളാണ് സാമൂഹ്യ എത്തിക്സിന്റെ വിജയം.

അറിവിന്റെ ഇന്ത്യൻ പാരമ്പര്യത്തിൽ, മതപരവും തത്വശാസ്ത്രപരവുമായ ചിന്തയിൽ നിന്നാണ് എത്തിക്സിന്റെ ഉത്ഭവം. വളരെ പണ്ട് മുതൽ തന്നെ ഇന്ത്യയിൽ വിവിധ വിശ്വാസങ്ങൾ നിലനിന്നിട്ടുണ്ട്. ഇന്ത്യയിലെ ഓരോ മതവിഭാഗത്തിനും തത്വചിന്താ വ്യവസ്ഥയ്ക്കും പ്രധാനമായ ഒരു എത്തിക്സൽ ഭാഗമുണ്ട്. എത്തിക്സ് ആണ് ഈ വ്യവസ്ഥകളുടെ എല്ലാം കാരൽ. ഓരോ മത പാരമ്പര്യത്തിലും സന്തോഷപ്രദവും സംതൃപ്തവുമായ ജീവിതത്തിന് ധാർമ്മികതയുള്ള പെരുമാറ്റം അനിവാര്യമായി കണക്കാക്കപ്പെടുന്നു.

എത്തിക്സിന്റെ പ്രധാന പരിഗണന എന്താണ്?

1. ലോകത്തിലെ സാമൂഹ്യ പ്രശ്നങ്ങൾ
2. ലോകത്തിലെ സാമ്പത്തിക പ്രശ്നങ്ങൾ
3. ലോകത്തിലെ ധാർമ്മിക പ്രശ്നങ്ങൾ
4. ലോകത്തിലെ മതപരമായ പ്രശ്നങ്ങൾ

**Options :**

- 485584137213. 1
- 485584137214. 2
- 485584137215. 3
- 485584137216. 4

**Question Number : 300 Question Id : 48558434305 Question Type : MCQ Option Shuffling : No Is Question Mandatory : No Calculator : None Response Time : N.A Think Time : N.A Minimum Instruction Time : 0**

**Correct Marks : 5 Wrong Marks : 1**

**Question Key Details :**

Key	Value
Comprehension	Comp2



Read the following passage and answer the questions given below:

The moral code of the people is an indicator of their social and spiritual ways of life. The true essence of human life is to live amidst worldly joy and sorrows, Ethics is primarily concerned with the moral issues of the world. True religion lays stress on moral virtues. People are required to discharge their duties according to the moral code of ethics. A true knowledge of ethics would be attained if one practices and imbibes these moral values. Ethics is of two kinds individuals and social. Individual ethics is indicative of the good qualities that are essential for individual well-being of the good qualities that are essential for individual well-being and happiness. Social ethics represents the values that are needed for social order and harmony.

In the knowledge tradition of India ethics has its origin in its religious and philosophical thinking. From time immemorial, various religious faiths have flourished here. Every religious and every philosophical system of India has a prominent ethical component. Ethics is the core of all these systems. In every religious tradition, good moral conduct is considered essential for a happy and contented life.

To maintain social order and harmony what type of ethics play an important role in society?

- 1. Individual Ethics
- 2. Social Ethics
- 3. Political Ethics
- 4. Legal Ethics

**Options :**

- 485584137217. 1
- 485584137218. 2
- 485584137219. 3
- 485584137220. 4

**Question Number : 300 Question Id : 48558434305 Question Type : MCQ Option Shuffling : No Is Question Mandatory : No Calculator : None Response Time : N.A Think Time : N.A Minimum Instruction Time : 0**

**Correct Marks : 5 Wrong Marks : 1**

**Question Key Details :**

Key	Value
Comprehension	Comp2

Read the following passage and answer the questions given below:

ആളുകളുടെ സാമൂഹികവും ആത്മീയവുമായ ജീവിതത്തിന്റെ സൂചകങ്ങളാണ് അവരുടെ ധാർമ്മിക മൂല്യങ്ങൾ. ലൗകിക സുഖ-ദുഃഖങ്ങൾക്കിടയിൽ ജീവിക്കുക എന്നതാണ് മനുഷ്യ ജീവിതത്തിന്റെ സത്ത. ലോകത്തിലെ ധാർമ്മിക പ്രശ്നങ്ങളാണ് എത്തിക്കിന്റെ പ്രധാന പരിഗണന. യഥാർത്ഥ മതം ധാർമ്മിക മൂല്യങ്ങൾക്ക് പ്രാധാന്യം നൽകുന്നു. ധാർമ്മിക മൂല്യങ്ങൾക്ക് അനുസരിച്ച് ആളുകൾക്ക് അവരുടെ ഉത്തരവാദിത്തങ്ങൾ നിറവേറ്റേണ്ടി വരുന്നു. ഈ ധാർമ്മിക മൂല്യങ്ങൾ സ്വാംശീകരിക്കുകയും പ്രാവർത്തികമാക്കുകയും ചെയ്യുന്ന ഒരാൾക്ക് എത്തിക്കിനെ സംബന്ധിച്ച യഥാർത്ഥ അറിവ് ലഭിക്കുന്നു. എത്തിക്ക് പ്രധാനമായും രണ്ട് വിധത്തിലാണ് ഉള്ളത് - വ്യക്തിഗതവും സാമൂഹികവും. വ്യക്തികളുടെ സന്തോഷത്തിനും സുസ്ഥിതിക്കും ഉതകുന്ന നല്ല ഗുണങ്ങൾ സൂചിപ്പിക്കുന്നതാണ് വ്യക്തിഗതമായ എത്തിക്ക്. സാമൂഹ്യക്രമത്തിനും ഐക്യത്തിനും ഉതകുന്ന മൂല്യങ്ങളാണ് സാമൂഹ്യ എത്തിക്കിന്റെ വിജയം.

അറിവിന്റെ ഇന്ത്യൻ പാരമ്പര്യത്തിൽ, മതപരവും തത്വശാസ്ത്രപരവുമായ ചിന്തയിൽ നിന്നാണ് എത്തിക്കിന്റെ ഉത്ഭവം. വളരെ പണ്ട് മുതൽ തന്നെ ഇന്ത്യയിൽ വിവിധ വിശ്വാസങ്ങൾ നിലനിന്നിട്ടുണ്ട്. ഇന്ത്യയിലെ ഓരോ മതവിഭാഗത്തിനും തത്വചിന്താ വ്യവസ്ഥയ്ക്കും പ്രധാനമായ ഒരു എത്തിക്കൽ ഭാഗമുണ്ട്. എത്തിക്ക് ആണ് ഈ വ്യവസ്ഥകളുടെ എല്ലാം കാര്യം. ഓരോ മത പാരമ്പര്യത്തിലും സന്തോഷപ്രദവും സംതൃപ്തവുമായ ജീവിതത്തിന് ധാർമ്മികതയുള്ള പെരുമാറ്റം അനിവാര്യമായി കണക്കാക്കപ്പെടുന്നു.

സാമൂഹ്യക്രമവും ഐക്യവും നിലനിർത്തുന്നതിൽ ഏതു തരം എത്തിക്സ് ആണ് പ്രധാന പങ്കു വഹിക്കുന്നത്?

1. വ്യക്തിഗത എത്തിക്സ്
2. സാമൂഹ്യ എത്തിക്സ്
3. രാഷ്ട്രീയ എത്തിക്സ്
4. ലീഗൽ എത്തിക്സ് (നിയമപരമായ)

**Options :**

- 485584137217. 1
- 485584137218. 2
- 485584137219. 3
- 485584137220. 4

### Political Science

Group Number :	12
Group Id :	485584779
Group Maximum Duration :	45
Group Minimum Duration :	45
Show Attended Group? :	No
Edit Attended Group? :	No
Break time :	0
Group Marks :	200
Is this Group for Examiner? :	No
Examiner permission :	Cant View
Show Progress Bar? :	No

### Political Science

Section Id :	485584897
Section Number :	1
Section type :	Online
Mandatory or Optional :	Mandatory
Number of Questions :	50
Number of Questions to be attempted :	40
Section Marks :	200
Enable Mark as Answered Mark for Review and Clear Response :	Yes
Maximum Instruction Time :	0
Sub-Section Number :	1
Sub-Section Id :	4855842545
Question Shuffling Allowed :	Yes
Is Section Default? :	null

Question Number : 301 Question Id : 48558434356 Question Type : MCQ Option Shuffling : No Is Question Mandatory : No Calculator : None Response Time : N.A Think Time : N.A Minimum Instruction Time : 0  
Correct Marks : 5 Wrong Marks : 1  
Question Key Details :



Key	Value
Comprehension	MCQ

When the constitution was signed?

1. 24 January 1950
2. 26 November 1949
3. 26 January 1950
4. 26 November 1950

**Options :**

- 485584137421. 1
- 485584137422. 2
- 485584137423. 3
- 485584137424. 4

**Question Number : 302 Question Id : 48558434357 Question Type : MCQ Option Shuffling : No Is Question Mandatory : No Calculator : None Response Time : N.A Think Time : N.A Minimum Instruction Time : 0**

**Correct Marks : 5 Wrong Marks : 1**

**Question Key Details :**

Key	Value
Comprehension	MCQ

Election Commission of India was setup in

1. January 1949
2. January 1950
3. November 1949
4. November 1950

**Options :**

- 485584137425. 1
- 485584137426. 2
- 485584137427. 3
- 485584137428. 4

**Question Number : 303 Question Id : 48558434358 Question Type : MCQ Option Shuffling : No Is Question Mandatory : No Calculator : None Response Time : N.A Think Time : N.A Minimum Instruction Time : 0**

**Correct Marks : 5 Wrong Marks : 1**

**Question Key Details :**

Key	Value
Comprehension	MCQ

Who was the first Election Commissioner of India.

1. S S Sen
2. Sukumar Sen
3. Kumar Sen
4. S Kumar Sen

**Options :**

485584137429. 1  
485584137430. 2  
485584137431. 3  
485584137432. 4

**Question Number : 304 Question Id : 48558434359 Question Type : MCQ Option Shuffling : No Is Question Mandatory : No Calculator : None Response Time : N.A Think Time : N.A Minimum Instruction Time : 0**

**Correct Marks : 5 Wrong Marks : 1**

**Question Key Details :**

Key	Value
Comprehension	MCQ

Who decided to convert Cuba in to a Russain base in 1962.

1. Nikhil Khurushchev
2. Nikita Khurushchev
3. Neil Khurushchev
4. Nail Khurushchev

**Options :**

485584137433. 1  
485584137434. 2  
485584137435. 3  
485584137436. 4

**Question Number : 305 Question Id : 48558434360 Question Type : MCQ Option Shuffling : No Is Question Mandatory : No Calculator : None Response Time : N.A Think Time : N.A Minimum Instruction Time : 0**

**Correct Marks : 5 Wrong Marks : 1**

**Question Key Details :**

Key	Value
Comprehension	MCQ

The First world War was shaken the world between

1. 1914-1918
2. 1914-1916
3. 1914-1919
4. 1914-1917

**Options :**

- 485584137437. 1
- 485584137438. 2
- 485584137439. 3
- 485584137440. 4

**Question Number : 306 Question Id : 48558434361 Question Type : MCQ Option Shuffling : No Is Question Mandatory : No Calculator : None Response Time : N.A Think Time : N.A Minimum Instruction Time : 0**

**Correct Marks : 5 Wrong Marks : 1**

**Question Key Details :**

Key	Value
Comprehension	MCQ

United States dropped two atomic bombs on the Japanese cities of Hiroshima and Nagasaki in

1. July 1945
2. August 1945
3. September 1945
4. October 1945

**Options :**

- 485584137441. 1
- 485584137442. 2
- 485584137443. 3
- 485584137444. 4

**Question Number : 307 Question Id : 48558434362 Question Type : MCQ Option Shuffling : No Is Question Mandatory : No Calculator : None Response Time : N.A Think Time : N.A Minimum Instruction Time : 0**

**Correct Marks : 5 Wrong Marks : 1**

**Question Key Details :**

Key	Value
Comprehension	MCQ

North Atlantic Treaty Organisation (NATO) came into existence in

1. March 1949
2. April 1949
3. May 1949
4. June 1949

**Options :**

- 485584137445. 1
- 485584137446. 2
- 485584137447. 3
- 485584137448. 4

**Question Number : 308 Question Id : 48558434363 Question Type : MCQ Option Shuffling : No Is Question Mandatory : No Calculator : None Response Time : N.A Think Time : N.A Minimum Instruction Time : 0**

**Correct Marks : 5 Wrong Marks : 1**

**Question Key Details :**

Key	Value
Comprehension	MCQ

The Eastern alliance, known as the Warsaw Pact, was led by the Soviet Union was created in

1. 1945
2. 1949
3. 1955
4. 1957

**Options :**

- 485584137449. 1
- 485584137450. 2
- 485584137451. 3
- 485584137452. 4

**Question Number : 309 Question Id : 48558434364 Question Type : MCQ Option Shuffling : No Is Question Mandatory : No Calculator : None Response Time : N.A Think Time : N.A Minimum Instruction Time : 0**

**Correct Marks : 5 Wrong Marks : 1**

**Question Key Details :**

Key	Value
Comprehension	MCQ

The First non-aligned summit was held in Belgrade in.

1. 1958
2. 1959
3. 1960
4. 1961

**Options :**

485584137453. 1  
485584137454. 2  
485584137455. 3  
485584137456. 4

**Question Number : 310 Question Id : 48558434365 Question Type : MCQ Option Shuffling : No Is Question Mandatory : No Calculator : None Response Time : N.A Think Time : N.A Minimum Instruction Time : 0**

**Correct Marks : 5 Wrong Marks : 1**

**Question Key Details :**

Key	Value
Comprehension	MCQ

Famous speech 'tryst with destiny' is addressed by :-

1. Jawaharlal Nehru
2. Mahatma Gandhi
3. Lal Bahadur Shastri
4. Khan Abdul Gaffar Khan

**Options :**

485584137457. 1  
485584137458. 2  
485584137459. 3  
485584137460. 4

**Question Number : 311 Question Id : 48558434366 Question Type : MCQ Option Shuffling : No Is Question Mandatory : No Calculator : None Response Time : N.A Think Time : N.A Minimum Instruction Time : 0**

**Correct Marks : 5 Wrong Marks : 1**

**Question Key Details :**

Key	Value
Comprehension	MCQ

Who was the Deputy Prime Minister and first home minister of Independent India

1. Raf Ahmad Kidwai
2. Sardar Vallabh Bhai Patel
3. C. Rajgopalachari
4. K. S. Menon

**Options :**

485584137461. 1  
485584137462. 2  
485584137463. 3  
485584137464. 4

**Question Number : 312 Question Id : 48558434367 Question Type : MCQ Option Shuffling : No Is Question Mandatory : No Calculator : None Response Time : N.A Think Time : N.A Minimum Instruction Time : 0**

**Correct Marks : 5 Wrong Marks : 1**

**Question Key Details :**

Key	Value
Comprehension	MCQ

A section of the big industrialists got together in 1944 and drafted a joint proposal for setting up a planned economy in the country it was called \_\_\_\_\_

1. Russian Plan
2. Global Plan
3. Bombay Plan
4. SwissPlan

**Options :**

485584137465. 1  
485584137466. 2  
485584137467. 3  
485584137468. 4

**Question Number : 313 Question Id : 48558434368 Question Type : MCQ Option Shuffling : No Is Question Mandatory : No Calculator : None Response Time : N.A Think Time : N.A Minimum Instruction Time : 0**

**Correct Marks : 5 Wrong Marks : 1**

**Question Key Details :**

Key	Value
Comprehension	MCQ

Name the founder of Indian Stastical Institute

1. K. N. Raj
2. J. C. Kumarappa
3. R. D. Raj
4. P. C. Mahalanobis

**Options :**

485584137469. 1  
485584137470. 2  
485584137471. 3  
485584137472. 4

**Question Number : 314 Question Id : 48558434369 Question Type : MCQ Option Shuffling : No Is Question Mandatory : No Calculator : None Response Time : N.A Think Time : N.A Minimum Instruction Time : 0**

**Correct Marks : 5 Wrong Marks : 1**

**Question Key Details :**

Key	Value
Comprehension	MCQ

Which Article of the Indian constitution lays down some directive principles of State policy on 'Promotion of international peace and security'

1. Article 51
2. Arcticle 52
3. Article 53
4. Article 54

**Options :**

485584137473. 1  
485584137474. 2  
485584137475. 3  
485584137476. 4

**Question Number : 315 Question Id : 48558434370 Question Type : MCQ Option Shuffling : No Is Question Mandatory : No Calculator : None Response Time : N.A Think Time : N.A Minimum Instruction Time : 0**

**Correct Marks : 5 Wrong Marks : 1**

**Question Key Details :**

Key	Value
Comprehension	MCQ

Who is the director of film 'Haqeeqat' (year 1964)

1. Sanjay Khan
2. Balraj Sahni
3. Chetan Anand
4. Jaxant Karvey

**Options :**

485584137477. 1  
485584137478. 2  
485584137479. 3  
485584137480. 4

**Question Number : 316 Question Id : 48558434371 Question Type : MCQ Option Shuffling : No Is Question Mandatory : No Calculator : None Response Time : N.A Think Time : N.A Minimum Instruction Time : 0**

**Correct Marks : 5 Wrong Marks : 1**

**Question Key Details :**

Key	Value
Comprehension	MCQ

Who coined the famous slogan 'Jai Jawan Jai Kisan'

1. Lal Bahadur Sashtri
2. Jawaharlal Nehru
3. Khan Abdul Gaffar
4. Mahatma Gandhi

**Options :**

485584137481. 1  
485584137482. 2  
485584137483. 3  
485584137484. 4

**Question Number : 317 Question Id : 48558434372 Question Type : MCQ Option Shuffling : No Is Question Mandatory : No Calculator : None Response Time : N.A Think Time : N.A Minimum Instruction Time : 0**

**Correct Marks : 5 Wrong Marks : 1**

**Question Key Details :**

Key	Value
Comprehension	MCQ



Who formed DMK as a political party in 1949

1. Ram Manohar Lohia
2. C. Natrajan Annadurai
3. C. Kagle
4. Karpoori Thakur

**Options :**

485584137485. 1  
485584137486. 2  
485584137487. 3  
485584137488. 4

**Question Number : 318 Question Id : 48558434373 Question Type : MCQ Option Shuffling : No Is Question Mandatory : No Calculator : None Response Time : N.A Think Time : N.A Minimum Instruction Time : 0**

**Correct Marks : 5 Wrong Marks : 1**

**Question Key Details :**

Key	Value
Comprehension	MCQ

Under the provision of which Article in Indian constitution government could declare a state of emergency on ground of external threat or internal disturbance.

1. Article 362
2. Article 352
3. Article 372
4. Article 382

**Options :**

485584137489. 1  
485584137490. 2  
485584137491. 3  
485584137492. 4

**Question Number : 319 Question Id : 48558434374 Question Type : MCQ Option Shuffling : No Is Question Mandatory : No Calculator : None Response Time : N.A Think Time : N.A Minimum Instruction Time : 0**

**Correct Marks : 5 Wrong Marks : 1**

**Question Key Details :**

Key	Value
Comprehension	MCQ

in which year the Janta Party government appointed a commission of inquiry headed by Justice J. C. Shah.

1. May 1977
2. June 1977
3. July 1977
4. August 1977

**Options :**

485584137493. 1  
485584137494. 2  
485584137495. 3  
485584137496. 4

**Question Number : 320 Question Id : 48558434375 Question Type : MCQ Option Shuffling : No Is Question Mandatory : No Calculator : None Response Time : N.A Think Time : N.A Minimum Instruction Time : 0**

**Correct Marks : 5 Wrong Marks : 1**

**Question Key Details :**

Key	Value
Comprehension	MCQ

Dalit Panthers, a militant organisation of the Dalit youth was formed in which state

1. Gujarat
2. Andhra Pradesh
3. Maharashtra
4. Bihar

**Options :**

485584137497. 1  
485584137498. 2  
485584137499. 3  
485584137500. 4

**Question Number : 321 Question Id : 48558434376 Question Type : MCQ Option Shuffling : No Is Question Mandatory : No Calculator : None Response Time : N.A Think Time : N.A Minimum Instruction Time : 0**

**Correct Marks : 5 Wrong Marks : 1**

**Question Key Details :**

Key	Value
Comprehension	MCQ

Write the full form of BKU

1. Bharat Keval Union
2. Bharat Kisan Union
3. Bharat Karma union
4. Bhartiya Kisan United

**Options :**

485584137501. 1  
485584137502. 2  
485584137503. 3  
485584137504. 4

**Question Number : 322 Question Id : 48558434377 Question Type : MCQ Option Shuffling : No Is Question Mandatory : No Calculator : None Response Time : N.A Think Time : N.A Minimum Instruction Time : 0**

**Correct Marks : 5 Wrong Marks : 1**

**Question Key Details :**

Key	Value
Comprehension	MCQ

Turning their back to the  
Sun they prayed through centuries  
Now, now we must refuse  
to be pilgrims of darkness

Who is the author of above poem

1. Eleanor Zelliot
2. Namdeo Dhasal
3. Golpitha
4. Jayanti Karvay

**Options :**

485584137505. 1  
485584137506. 2  
485584137507. 3  
485584137508. 4

**Question Number : 323 Question Id : 48558434378 Question Type : MCQ Option Shuffling : No Is Question Mandatory : No Calculator : None Response Time : N.A Think Time : N.A Minimum Instruction Time : 0**

**Correct Marks : 5 Wrong Marks : 1**

**Question Key Details :**

Key	Value
Comprehension	MCQ

The slogan of "Anti Arrack Movement in Andhra Pradesh was

1. Say no to liquor
2. Stop liquor
3. Prohibition on the sale of arrack
4. Stop arrack save lives

**Options :**

485584137509. 1  
485584137510. 2  
485584137511. 3  
485584137512. 4

**Question Number : 324 Question Id : 48558434379 Question Type : MCQ Option Shuffling : No Is Question Mandatory : No Calculator : None Response Time : N.A Think Time : N.A Minimum Instruction Time : 0**

**Correct Marks : 5 Wrong Marks : 1**

**Question Key Details :**

Key	Value
Comprehension	MCQ

Who was known as 'Periyar'

1. E. V. Ramasami Naicker
2. Sheikh Abdulla
3. E. V. Ramanujan
4. E. S. Naiyekar

**Options :**

485584137513. 1  
485584137514. 2  
485584137515. 3  
485584137516. 4

**Question Number : 325 Question Id : 48558434380 Question Type : MCQ Option Shuffling : No Is Question Mandatory : No Calculator : None Response Time : N.A Think Time : N.A Minimum Instruction Time : 0**

**Correct Marks : 5 Wrong Marks : 1**

**Question Key Details :**

Key	Value
Comprehension	MCQ

Write the full form of 'AASU'

1. All Assam Students Union
2. All Assam Samarathak Union
3. All Assam Samman Union
4. All Assam Student united

**Options :**

485584137517. 1  
485584137518. 2  
485584137519. 3  
485584137520. 4

**Question Number : 326 Question Id : 48558434381 Question Type : MCQ Option Shuffling : No Is Question Mandatory : No Calculator : None Response Time : N.A Think Time : N.A Minimum Instruction Time : 0**

**Correct Marks : 5 Wrong Marks : 1**

**Question Key Details :**

Key	Value
Comprehension	MCQ

Who advocated the Charbuja Rajniti

1. Ram Manohar Lohia
2. Ram Thakur
3. Lala Lajpat Rai
4. Atal Bihari Vajpayee

**Options :**

485584137521. 1  
485584137522. 2  
485584137523. 3  
485584137524. 4

**Question Number : 327 Question Id : 48558434382 Question Type : MCQ Option Shuffling : No Is Question Mandatory : No Calculator : None Response Time : N.A Think Time : N.A Minimum Instruction Time : 0**

**Correct Marks : 5 Wrong Marks : 1**

**Question Key Details :**

Key	Value
Comprehension	MCQ

BRIC was formed in which year

1. 2005
2. 2006
3. 2007
4. 2008

**Options :**

- 485584137525. 1
- 485584137526. 2
- 485584137527. 3
- 485584137528. 4

**Question Number : 328 Question Id : 48558434383 Question Type : MCQ Option Shuffling : No Is Question Mandatory : No Calculator : None Response Time : N.A Think Time : N.A Minimum Instruction Time : 0**

**Correct Marks : 5 Wrong Marks : 1**

**Question Key Details :**

Key	Value
Comprehension	MCQ

Full form of NITI Aayog :

1. National Institution for Transforming India
2. National Institution for Testing India
3. National Institution for Total India
4. national Integration of total India

**Options :**

- 485584137529. 1
- 485584137530. 2
- 485584137531. 3
- 485584137532. 4

**Question Number : 329 Question Id : 48558434384 Question Type : MCQ Option Shuffling : No Is Question Mandatory : No Calculator : None Response Time : N.A Think Time : N.A Minimum Instruction Time : 0**

**Correct Marks : 5 Wrong Marks : 1**

**Question Key Details :**

Key	Value
Comprehension	MCQ

Match List I with List II

LIST I		LIST II	
A.	IAEA	I.	2006
B.	World Bank	II.	1995
C.	human Rights Council	III.	1957
D.	WTO	IV.	1944

Choose the correct answer from the options given below:

1. A-IV, B-I, C-II, D-III
2. A-I, B-II, C-III, D-IV
3. A-III, B-IV, C-I, D-II
4. A-II, B-III, C-I, D-IV

**Options :**

485584137533. 1  
485584137534. 2  
485584137535. 3  
485584137536. 4

**Question Number : 330 Question Id : 48558434385 Question Type : MCQ Option Shuffling : No Is Question Mandatory : No Calculator : None Response Time : N.A Think Time : N.A Minimum Instruction Time : 0**

**Correct Marks : 5 Wrong Marks : 1**

**Question Key Details :**

Key	Value
Comprehension	MCQ

Match List I with List II

LIST I		LIST II	
A.	Maulana Abul Kalam	I.	President of Congress Socialist Party
B.	Rajkumari Amrit Kaur	II.	First Education Minister
C.	Acharya Narendra Dev	III.	Political leader from Kerala
D.	A K Gopalan	IV.	First Health Minister

Choose the correct answer from the options given below:

1. A-II, B-I, C-IV, D-III
2. A-I, B-IV, C-III, D-II
3. A-II, B-IV, C-I, D-III
4. A-IV, B-II, C-I, D-III

**Options :**

485584137537. 1

485584137538. 2  
485584137539. 3  
485584137540. 4

**Question Number : 331 Question Id : 48558434386 Question Type : MCQ Option Shuffling : No Is Question Mandatory : No Calculator : None Response Time : N.A Think Time : N.A Minimum Instruction Time : 0**

**Correct Marks : 5 Wrong Marks : 1**

**Question Key Details :**

Key	Value
Comprehension	MCQ

Choose the wrong statement about Jagjivan Ram from the following options:

1. Member of Parliament since 1952 till his death.
2. Freedom fighter and Congress leader from Bihar
3. Finance Minister in the first Ministry of free India
4. Deputy Prime Minister of India (1977-1979)

**Options :**

485584137541. 1  
485584137542. 2  
485584137543. 3  
485584137544. 4

**Question Number : 332 Question Id : 48558434387 Question Type : MCQ Option Shuffling : No Is Question Mandatory : No Calculator : None Response Time : N.A Think Time : N.A Minimum Instruction Time : 0**

**Correct Marks : 5 Wrong Marks : 1**

**Question Key Details :**

Key	Value
Comprehension	MCQ

Arrange the following Prime Ministers in chronological order of their tenure.

- A. Narendra Modi
- B. Chandra Shekhar
- C. V. P. Singh
- D. P. V. Narsimha Rao
- E. Manmohan Singh

Choose the most appropriate answer from the options given below:

1. C, B, D, E, A only
2. B, C, D, E, A only
3. D, B, C, E, A only
4. C, D, B, E, A only

**Options :**

485584137545. 1  
485584137546. 2



485584137547. 3  
485584137548. 4

**Question Number : 333 Question Id : 48558434388 Question Type : MCQ Option Shuffling : No Is Question Mandatory : No Calculator : None Response Time : N.A Think Time : N.A Minimum Instruction Time : 0**

**Correct Marks : 5 Wrong Marks : 1**

**Question Key Details :**

Key	Value
Comprehension	MCQ

UNHCR stands for-

1. The United Nations High Commission For Refugees.
2. The United National High Commission For Refugees.
3. The United Nations High Commission for Refugees.
4. The United Nations Health Commission for Refugees.

**Options :**

485584137549. 1  
485584137550. 2  
485584137551. 3  
485584137552. 4

**Question Number : 334 Question Id : 48558434389 Question Type : MCQ Option Shuffling : No Is Question Mandatory : No Calculator : None Response Time : N.A Think Time : N.A Minimum Instruction Time : 0**

**Correct Marks : 5 Wrong Marks : 1**

**Question Key Details :**

Key	Value
Comprehension	MCQ

Who announced the formation of a separate Andhra state in December 1952

1. First Deputy Prime Minister of an independent India
2. First Home Minister of an independent India
3. Chief Minister of Madras
4. First Prime Minister of an independent India

**Options :**

485584137553. 1  
485584137554. 2  
485584137555. 3  
485584137556. 4

**Question Number : 335 Question Id : 48558434390 Question Type : MCQ Option Shuffling : No Is Question Mandatory : No Calculator : None Response Time : N.A Think Time : N.A Minimum Instruction Time : 0**

**Correct Marks : 5 Wrong Marks : 1**

**Question Key Details :**

Key	Value
-----	-------

- A. The green revolution resulted in the rise of what is called the middle peasant sections.  
 B. After green revolution Uttar Pradesh, Bihar and Madhya Pradesh became agriculturally prosperous.  
 C. The green revolution delivered only a moderate agriculture growth and raised the availability of food in the country.  
 D. In 1982 the rural development programme called operation flood was started.

Choose the correct answer from the options given below:

1. A and C only
2. A and D only
3. C and D only
4. B and C only

**Options :**

485584137557. 1  
 485584137558. 2  
 485584137559. 3  
 485584137560. 4

**Question Number : 336 Question Id : 48558434391 Question Type : MCQ Option Shuffling : No Is Question Mandatory : No Calculator : None Response Time : N.A Think Time : N.A Minimum Instruction Time : 0**

**Correct Marks : 5 Wrong Marks : 1**

**Question Key Details :**

Key	Value
Comprehension	MCQ

When did the Government of India replaced the Planning Commission with a new institution named "NITI Ayog"

1. 1 January 2014
2. 1 January 2016
3. 1 January 2019
4. 1 January 2015

**Options :**

485584137561. 1  
 485584137562. 2  
 485584137563. 3  
 485584137564. 4

**Question Number : 337 Question Id : 48558434392 Question Type : MCQ Option Shuffling : No Is Question Mandatory : No Calculator : None Response Time : N.A Think Time : N.A Minimum Instruction Time : 0**

**Correct Marks : 5 Wrong Marks : 1**

**Question Key Details :**

Key	Value
Comprehension	MCQ

The idea of Planning in India was drawn from:-

- A. The Bombay Plan
- B. Experiences of the Soviet bloc countries
- C. Gandhian vision of Society
- D. Demand by Peasant Organisation
- E. Self Sufficiency

Choose the correct answer from the options given below:

- 1. B and D only
- 2. D and C only
- 3. A and B only
- 4. A only

**Options :**

- 485584137565. 1
- 485584137566. 2
- 485584137567. 3
- 485584137568. 4

**Question Number : 338 Question Id : 48558434393 Question Type : MCQ Option Shuffling : No Is Question Mandatory : No Calculator : None Response Time : N.A Think Time : N.A Minimum Instruction Time : 0**

**Correct Marks : 5 Wrong Marks : 1**

**Question Key Details :**

Key	Value
Comprehension	MCQ

What led to the era of coalition government at the centre after 1989:

- 1. Due to rise of communist party.
- 2. Weaking of the congress system.
- 3. Due to death of Rajiv Gandhi
- 4. Due to implementation of recommendation by Mandal Commission

**Options :**

- 485584137569. 1
- 485584137570. 2
- 485584137571. 3
- 485584137572. 4

**Question Number : 339 Question Id : 48558434394 Question Type : MCQ Option Shuffling : No Is Question Mandatory : No Calculator : None Response Time : N.A Think Time : N.A Minimum Instruction Time : 0**

**Correct Marks : 5 Wrong Marks : 1**

**Question Key Details :**

Key	Value
Comprehension	MCQ

Match List I with List II

LIST I Incident		LIST II Year	
A.	Formation of NATO	I.	1947
B.	Cuban Missile Crisis	II.	1956
C.	Truman's Doctrine	III.	1949
D.	Soviet intervention in Hungary	IV.	1962

Choose the correct answer from the options given below:

1. A-III, B-IV, C-II, D-I
2. A-III, B-IV, C-I, D-II
3. A-I, B-II, C-III, D-IV
4. A-II, B-I, C-III, D-IV

**Options :**

485584137573. 1  
485584137574. 2  
485584137575. 3  
485584137576. 4

**Question Number : 340 Question Id : 48558434395 Question Type : MCQ Option Shuffling : No Is Question Mandatory : No Calculator : None Response Time : N.A Think Time : N.A Minimum Instruction Time : 0**

**Correct Marks : 5 Wrong Marks : 1**

**Question Key Details :**

Key	Value
Comprehension	MCQ

Which of the Given leader is not the founding Member of NAM?

1. Josip Broz Tito
2. Jawaharlal Nehru
3. Indira Gandhi
4. Sukarno

**Options :**

485584137577. 1  
485584137578. 2  
485584137579. 3  
485584137580. 4

**Sub-Section Number :**

2

**Sub-Section Id :**

4855842546

**Question Shuffling Allowed :**

No

**Is Section Default? :**

null

**Question Number : 341 Question Id : 48558434396 Question Type : MCQ Option Shuffling : No Is Question Mandatory : No Calculator : None Response Time : N.A Think Time : N.A Minimum Instruction Time : 0**

**Correct Marks : 5 Wrong Marks : 1**

**Question Key Details :**

Key	Value
Comprehension	Comp1

Read the passage given below to answer

In spite of the many conflicts, the states of South Asia recognize the importance of cooperation and friendly relationship among themselves. The South Asian association for regional Cooperation (SAARC) is a major regional initiative by the South Asian states to evolve cooperation through multilateral means. It began in 1985. Unfortunately, due to persisting political differences, SAARC has not had much success. SAARC members signed the South Asian Free Trade (SAFTA) agreement which promised the formation of a free trade zone for the whole of South Asia.

The SAFTA agreement was signed in 2004 and came into effect on 1 January 2006. India thinks that there are real economic benefits for all SAFTA. Some in India think that SAFTA is not worth the trouble since India already has bilateral agreements with Bhutan, Nepal and Shri Lanka.

What statement is correct about SAARC

1. SAARC began in 1986
2. SAARC is an association of East Asian Nations
3. SAARC members signed South Asian Free Trade (SAFTA) Agreement
4. SAARC is a highly successful regional organisation

**Options :**

485584137581. 1

485584137582. 2

485584137583. 3

485584137584. 4

**Question Number : 342 Question Id : 48558434397 Question Type : MCQ Option Shuffling : No Is Question Mandatory : No Calculator : None Response Time : N.A Think Time : N.A Minimum Instruction Time : 0**

**Correct Marks : 5 Wrong Marks : 1**

**Question Key Details :**

Key	Value
Comprehension	Comp1

Read the passage given below to answer

In spite of the many conflicts, the states of South Asia recognize the importance of cooperation and friendly relationship among themselves. The South Asian association for regional Cooperation (SAARC) is a major regional initiative by the South Asian states to evolve cooperation through multilateral means. It began in 1985. Unfortunately, due to persisting political differences, SAARC has not had much success. SAARC members signed the South Asian Free Trade (SAFTA) agreement which promised the formation of a free trade zone for the whole of South Asia.

The SAFTA agreement was signed in 2004 and came into effect on 1 January 2006. India thinks that there are real economic benefits for all SAFTA. Some in India think that SAFTA is not worth the trouble since India already has bilateral agreements with Bhutan, Nepal and Shri Lanka.

State the years correctly when the agreement SAFTA was signed and came into effect:-

1. 2006 and 2007
2. 2004 and 2005
3. 2004 and 2006
4. 2008 and 2009

**Options :**

- 485584137585. 1
- 485584137586. 2
- 485584137587. 3
- 485584137588. 4

**Question Number : 343 Question Id : 48558434398 Question Type : MCQ Option Shuffling : No Is Question Mandatory : No Calculator : None Response Time : N.A Think Time : N.A Minimum Instruction Time : 0**

**Correct Marks : 5 Wrong Marks : 1**

**Question Key Details :**

Key	Value
Comprehension	Comp1

Read the passage given below to answer

In spite of the many conflicts, the states of South Asia recognize the importance of cooperation and friendly relationship among themselves. The South Asian association for regional Cooperation (SAARC) is a major regional initiative by the South Asian states to evolve cooperation through multilateral means. It began in 1985. Unfortunately, due to persisting political differences, SAARC has not had much success. SAARC members signed the South Asian Free Trade (SAFTA) agreement which promised the formation of a free trade zone for the whole of South Asia.

The SAFTA agreement was signed in 2004 and came into effect on 1 January 2006. India thinks that there are real economic benefits for all SAFTA. Some in India think that SAFTA is not worth the trouble since India already has bilateral agreements with Bhutan, Nepal and Shri Lanka.

Complete the following:

SAARC has been evolved for cooperation through which of the following means

1. Multilateral
2. Bilateral
3. Unilateral
4. Tripartite

**Options :**

- 485584137589. 1
- 485584137590. 2
- 485584137591. 3
- 485584137592. 4

**Question Number : 344 Question Id : 48558434399 Question Type : MCQ Option Shuffling : No Is Question Mandatory : No Calculator : None Response Time : N.A Think Time : N.A Minimum Instruction Time : 0**

**Correct Marks : 5 Wrong Marks : 1**

**Question Key Details :**

Key	Value
Comprehension	Comp1

Read the passage given below to answer

In spite of the many conflicts, the states of South Asia recognize the importance of cooperation and friendly relationship among themselves. The South Asian association for regional Cooperation (SAARC) is a major regional initiative by the South Asian states to evolve cooperation through multilateral means. It began in 1985. Unfortunately, due to persisting political differences, SAARC has not had much success. SAARC members signed the South Asian Free Trade (SAFTA) agreement which promised the formation of a free trade zone for the whole of South Asia.

The SAFTA agreement was signed in 2004 and came into effect on 1 January 2006. India thinks that there are real economic benefits for all SAFTA. Some in India think that SAFTA is not worth the trouble since India already has bilateral agreements with Bhutan, Nepal and Shri Lanka.

The full form of SAARC is

1. South Asian Amalgamation for Regional Cooperation
2. South Asian Association for Regional Cooperation
3. South African Association for Regional Cooperation
4. South Asian Association for Research and Cooperation

**Options :**

- 485584137593. 1
- 485584137594. 2
- 485584137595. 3
- 485584137596. 4

**Question Number : 345 Question Id : 48558434400 Question Type : MCQ Option Shuffling : No Is Question Mandatory : No Calculator : None Response Time : N.A Think Time : N.A Minimum Instruction Time : 0**

**Correct Marks : 5 Wrong Marks : 1**

**Question Key Details :**

Key	Value
Comprehension	Comp1

Read the passage given below to answer

In spite of the many conflicts, the states of South Asia recognize the importance of cooperation and friendly relationship among themselves. The South Asian association for regional Cooperation (SAARC) is a major regional initiative by the South Asian states to evolve cooperation through multilateral means. It began in 1985. Unfortunately, due to persisting political differences, SAARC has not had much success. SAARC members signed the South Asian Free Trade (SAFTA) agreement which promised the formation of a free trade zone for the whole of South Asia.

The SAFTA agreement was signed in 2004 and came into effect on 1 January 2006. India thinks that there are real economic benefits for all SAFTA. Some in India think that SAFTA is not worth the trouble since India already has bilateral agreements with Bhutan, Nepal and Shri Lanka.

The following agreement promised the formation of a free trade zone for the whole of South Asia

1. WTO
2. BAFTA
3. SAARC
4. SAFTA

**Options :**

- 485584137597. 1
- 485584137598. 2
- 485584137599. 3
- 485584137600. 4

**Sub-Section Number :** 3  
**Sub-Section Id :** 4855842547  
**Question Shuffling Allowed :** No  
**Is Section Default? :** null

**Question Number : 346 Question Id : 48558434401 Question Type : MCQ Option Shuffling : No Is Question Mandatory : No Calculator : None Response Time : N.A Think Time : N.A Minimum Instruction Time : 0**

**Correct Marks : 5 Wrong Marks : 1**

**Question Key Details :**

Key	Value
Comprehension	Comp2



Globalisation is a multi-dimensional concept. It has political, economic and cultural manifestations, and these must be adequately distinguished. The impact of globalisation is vastly uneven. It affects some societies more than others. It is important to avoid drawing general conclusions about the impact of globalisation without paying sufficient attention to specific contexts. Globalisation as a concept fundamentally deals with flows. These flows could be of various kinds- ideas moving from one part of the world to another, capital shunted between two or more places, commodities being traded across borders, and people moving in search of better livelihoods to different parts of the world.

Globalisation is a most dimensional concept because it deals with:

1. Political, economic, cultural etc aspects.
2. Democratic countries only
3. Economic Aspect
4. MNC's

**Options :**

- 485584137601. 1
- 485584137602. 2
- 485584137603. 3
- 485584137604. 4

**Question Number : 347 Question Id : 48558434402 Question Type : MCQ Option Shuffling : No Is Question Mandatory : No Calculator : None Response Time : N.A Think Time : N.A Minimum Instruction Time : 0**

**Correct Marks : 5 Wrong Marks : 1**

**Question Key Details :**

Key	Value
Comprehension	Comp2

Globalisation is a multi-dimensional concept. It has political, economic and cultural manifestations, and these must be adequately distinguished. The impact of globalisation is vastly uneven. It affects some societies more than others. It is important to avoid drawing general conclusions about the impact of globalisation without paying sufficient attention to specific contexts. Globalisation as a concept fundamentally deals with flows. These flows could be of various kinds- ideas moving from one part of the world to another, capital shunted between two or more places, commodities being traded across borders, and people moving in search of better livelihoods to different parts of the world.

It is important to avoid a general conclusion about Globalisation because:-

1. It's impact will vary due to different contexts.
2. There are different winds of Globalisation.
3. It is not a world-wide phenomenon.
4. Only the developed world is involved.

**Options :**

- 485584137605. 1
- 485584137606. 2

485584137607. 3

485584137608. 4

**Question Number : 348 Question Id : 48558434403 Question Type : MCQ Option Shuffling : No Is Question Mandatory : No Calculator : None Response Time : N.A Think Time : N.A Minimum Instruction Time : 0**

**Correct Marks : 5 Wrong Marks : 1**

**Question Key Details :**

Key	Value
Comprehension	Comp2

Globalisation is a multi-dimensional concept. It has political, economic and cultural manifestations, and these must be adequately distinguished. The impact of globalisation is vastly uneven. It affects some societies more than others. It is important to avoid drawing general conclusions about the impact of globalisation without paying sufficient attention to specific contexts. Globalisation as a concept fundamentally deals with flows. These flows could be of various kinds- ideas moving from one part of the world to another, capital shunted between two or more places, commodities being traded across borders, and people moving in search of better livelihoods to different parts of the world.

The process of Globalisation

- A. affects almost every society.
- B. involves flow of various kinds.
- C. Does not deal with Individual.
- D. Wherein commodities cannot be traded across borders.
- E. impact varies on the basis of context.

Choose the correct answer from the options given below:

- 1. A, B, C only
- 2. A, B, E only
- 3. B, C, E only
- 4. A, D, E only

**Options :**

485584137609. 1

485584137610. 2

485584137611. 3

485584137612. 4

**Question Number : 349 Question Id : 48558434404 Question Type : MCQ Option Shuffling : No Is Question Mandatory : No Calculator : None Response Time : N.A Think Time : N.A Minimum Instruction Time : 0**

**Correct Marks : 5 Wrong Marks : 1**

**Question Key Details :**

Key	Value
Comprehension	Comp2

Globalisation is a multi-dimensional concept. It has political, economic and cultural manifestations, and these must be adequately distinguished. The impact of globalisation is vastly uneven. It affects some societies more than others. It is important to avoid drawing general conclusions about the impact of globalisation without paying sufficient attention to specific contexts. Globalisation as a concept fundamentally deals with flows. These flows could be of various kinds- ideas moving from one part of the world to another, capital shunted between two or more places, commodities being traded across borders, and people moving in search of better livelihoods to different parts of the world.

- A. Due to Globalisation, the states become borderless.
- B. Due to Globalisation, the borders have become blurred.
- C. Due to Globalisation, borders don't get affected.
- D. Due to Globalisation, there is flow of commodities and goods.
- E. Due to Globalisation, there is flow of capital and people.

Choose the correct answer from the options given below:

- 1. A, B, D, E only
- 2. A, B, C, D only
- 3. B, C, D, E only
- 4. A, C, D, E only

**Options :**

- 485584137613. 1
- 485584137614. 2
- 485584137615. 3
- 485584137616. 4

**Question Number : 350 Question Id : 48558434405 Question Type : MCQ Option Shuffling : No Is Question Mandatory : No Calculator : None Response Time : N.A Think Time : N.A Minimum Instruction Time : 0**

**Correct Marks : 5 Wrong Marks : 1**

**Question Key Details :**

Key	Value
Comprehension	Comp2

Globalisation is a multi-dimensional concept. It has political, economic and cultural manifestations, and these must be adequately distinguished. The impact of globalisation is vastly uneven. It affects some societies more than others. It is important to avoid drawing general conclusions about the impact of globalisation without paying sufficient attention to specific contexts. Globalisation as a concept fundamentally deals with flows. These flows could be of various kinds- ideas moving from one part of the world to another, capital shunted between two or more places, commodities being traded across borders, and people moving in search of better livelihoods to different parts of the world.

Choose the incorrect from the following:-

1. World Bank is an international organisation.
2. World Bank provides loan to member-countries as well as non-member countries.
3. World Bank influences the economic policy of the developing countries.
4. World Bank Works for human development, agriculture and rural development, environment protection, governance, to name a few.

**Options :**

485584137617. 1  
485584137618. 2  
485584137619. 3  
485584137620. 4

## Sanskrit Lang

Group Number :	13
Group Id :	485584780
Group Maximum Duration :	45
Group Minimum Duration :	45
Show Attended Group? :	No
Edit Attended Group? :	No
Break time :	0
Group Marks :	200
Is this Group for Examiner? :	No
Examiner permission :	Can't View
Show Progress Bar? :	No

## Sanskrit Lang

Section Id :	485584898
Section Number :	1
Section type :	Online
Mandatory or Optional :	Mandatory
Number of Questions :	50
Number of Questions to be attempted :	40
Section Marks :	200
Enable Mark as Answered Mark for Review and Clear Response :	Yes
Maximum Instruction Time :	0
Sub-Section Number :	1
Sub-Section Id :	4855842548
Question Shuffling Allowed :	No
Is Section Default? :	null
Sub-Section Number :	2
Sub-Section Id :	4855842549
Question Shuffling Allowed :	No
Is Section Default? :	null
Sub-Section Number :	3

**Sub-Section Id :** 4855842550  
**Question Shuffling Allowed :** No  
**Is Section Default? :** null  
**Sub-Section Number :** 4  
**Sub-Section Id :** 4855842551  
**Question Shuffling Allowed :** Yes  
**Is Section Default? :** null

## Sociology

**Group Number :** 14  
**Group Id :** 485584781  
**Group Maximum Duration :** 45  
**Group Minimum Duration :** 45  
**Show Attended Group? :** No  
**Edit Attended Group? :** No  
**Break time :** 0  
**Group Marks :** 200  
**Is this Group for Examiner? :** No  
**Examiner permission :** Cant View  
**Show Progress Bar? :** No

## Sociology

**Section Id :** 485584899  
**Section Number :** 1  
**Section type :** Online  
**Mandatory or Optional :** Mandatory  
**Number of Questions :** 50  
**Number of Questions to be attempted :** 40  
**Section Marks :** 200  
**Enable Mark as Answered Mark for Review and Clear Response :** Yes  
**Maximum Instruction Time :** 0  
**Sub-Section Number :** 1  
**Sub-Section Id :** 4855842552  
**Question Shuffling Allowed :** Yes  
**Is Section Default? :** null

**Question Number : 351 Question Id : 48558434506 Question Type : MCQ Option Shuffling : No Is Question Mandatory : No Calculator : None Response Time : N.A Think Time : N.A Minimum Instruction Time : 0 Correct Marks : 5 Wrong Marks : 1**

**Question Key Details :**

Key	Value
Comprehension	MCQ

Wrights milla is a well known:

1. French sociologist
2. American sociologist
3. German sociologist
4. British sociologist

**Options :**

485584138021. 1  
485584138022. 2  
485584138023. 3  
485584138024. 4

**Question Number : 352 Question Id : 48558434507 Question Type : MCQ Option Shuffling : No Is Question Mandatory : No Calculator : None Response Time : N.A Think Time : N.A Minimum Instruction Time : 0**

**Correct Marks : 5 Wrong Marks : 1**

**Question Key Details :**

Key	Value
Comprehension	MCQ

The concept of 'failure of entitlements has been given by:

1. Amartya Sen
2. Emile Durkheim
3. Abhijit Banerjee
4. Thomas Robert Malthus

**Options :**

485584138025. 1  
485584138026. 2  
485584138027. 3  
485584138028. 4

**Question Number : 353 Question Id : 48558434508 Question Type : MCQ Option Shuffling : No Is Question Mandatory : No Calculator : None Response Time : N.A Think Time : N.A Minimum Instruction Time : 0**

**Correct Marks : 5 Wrong Marks : 1**

**Question Key Details :**

Key	Value
Comprehension	MCQ

A systematic study of population is called

1. Polygraphy
2. Sesmiography
3. Oceanography
4. Demography

**Options :**

485584138029. 1  
485584138030. 2  
485584138031. 3  
485584138032. 4

**Question Number : 354 Question Id : 48558434509 Question Type : MCQ Option Shuffling : No Is Question Mandatory : No Calculator : None Response Time : N.A Think Time : N.A Minimum Instruction Time : 0**

**Correct Marks : 5 Wrong Marks : 1**

**Question Key Details :**

Key	Value
Comprehension	MCQ

Match List I with List II

LIST I		LIST II	
A.	Population momentum	I.	Voluntary action to reduce population growth
B.	Demographic Divident	II.	Large cohort of women at reproduct age
C.	Population pyramid	III.	Group data in term of gender and age
D.	Preventive check	IV.	Higher population of workers compared to non-workers

Choose the correct answer from the options given below:

1. A-III, B-I, C-IV, D-II
2. A-II, B-IV, C-III, D-I
3. A-I, B-III, C-II, D-IV
4. A-IV, B-II, C-I, D-III

**Options :**

485584138033. 1  
485584138034. 2  
485584138035. 3  
485584138036. 4

**Question Number : 355 Question Id : 48558434510 Question Type : MCQ Option Shuffling : No Is Question Mandatory : No Calculator : None Response Time : N.A Think Time : N.A Minimum Instruction Time : 0**

Correct Marks : 5 Wrong Marks : 1

Question Key Details :

Key	Value
Comprehension	MCQ

Match List I with List II

LIST I		LIST II	
A.	Welth of Nation	I.	Mask Weber
B.	Capitalism	II.	Alfred Gell
C.	Status symbol	III.	Adam Smith
D.	Heirarchial social group	IV.	Karl Mark

Choose the correct answer from the options given below:

1. A-III, B-I, C-II, D-IV
2. A-III, B-II, C-I, D-IV
3. A-III, B-IV, C-I, D-II
4. A-III, B-I, C-IV, D-II

Options :

- 485584138037. 1
- 485584138038. 2
- 485584138039. 3
- 485584138040. 4

Question Number : 356 Question Id : 48558434511 Question Type : MCQ Option Shuffling : No Is Question Mandatory : No Calculator : None Response Time : N.A Think Time : N.A Minimum Instruction Time : 0

Correct Marks : 5 Wrong Marks : 1

Question Key Details :

Key	Value
Comprehension	MCQ

The criteria for inclusion in civil society is that the organisation should lie:

1. Commercial
2. State controlled
3. Non-State controlled
4. Profit making

Options :

- 485584138041. 1
- 485584138042. 2
- 485584138043. 3
- 485584138044. 4



**Question Number : 357 Question Id : 48558434512 Question Type : MCQ Option Shuffling : No Is Question Mandatory : No Calculator : None Response Time : N.A Think Time : N.A Minimum Instruction Time : 0**

**Correct Marks : 5 Wrong Marks : 1**

**Question Key Details :**

Key	Value
Comprehension	MCQ

Match List I with List II

LIST I		LIST II	
A.	Kaka Kalelkar commission	I.	1990
B.	Brahmo Samaj	II.	1828
C.	Karachi session of Indian National Congress	III.	1953
D.	B.P.Mandal commission	IV.	1931

Choose the correct answer from the options given below:

1. A-III, B-II, C-IV, D-I
2. A-IV, B-III, C-II, D-I
3. A-II, B-III, C-I, D-IV
4. A-I, B-II, C-III, D-IV

**Options :**

- 485584138045. 1
- 485584138046. 2
- 485584138047. 3
- 485584138048. 4

**Question Number : 358 Question Id : 48558434513 Question Type : MCQ Option Shuffling : No Is Question Mandatory : No Calculator : None Response Time : N.A Think Time : N.A Minimum Instruction Time : 0**

**Correct Marks : 5 Wrong Marks : 1**

**Question Key Details :**

Key	Value
Comprehension	MCQ

Arrange the following statement in correct sequence of events

- A. Effort to re-organise into Ethnic-Linguistic states
- B. Indian state continued with British-Indian arrangement of presidency
- C. Vigorous movements among Maratha and Kannada speakers in Bombay and Madras presidencies
- D. Pakistan was divided between Urdu and Punjabi speakers in the west and Bengali speakers in the east
- E. Formation of SRC for final approval on Linguistic states

Choose the correct answer from the option given below:

- 1. A, B, E, C, D
- 2. B, A, C, E, D
- 3. B, C, A, E, D
- 4. A, D, C, E, B

**Options :**

- 485584138049. 1
- 485584138050. 2
- 485584138051. 3
- 485584138052. 4

**Question Number : 359 Question Id : 48558434514 Question Type : MCQ Option Shuffling : No Is Question Mandatory : No Calculator : None Response Time : N.A Think Time : N.A Minimum Instruction Time : 0**

**Correct Marks : 5 Wrong Marks : 1**

**Question Key Details :**

Key	Value
Comprehension	MCQ

The most infamous pandemic was 'Spanish flue' which occurred in the year-

- 1. 2020
- 2. 1957
- 3. 1918
- 4. 1947\

**Options :**

- 485584138053. 1
- 485584138054. 2
- 485584138055. 3
- 485584138056. 4

**Question Number : 360 Question Id : 48558434515 Question Type : MCQ Option Shuffling : No Is Question Mandatory : No Calculator : None Response Time : N.A Think Time : N.A Minimum Instruction Time : 0**

**Correct Marks : 5 Wrong Marks : 1**

**Question Key Details :**

Key	Value
Comprehension	MCQ

Which article of the constitution of India states the following

"No citizen shall be denied admission into any educational institution, maintained by the state or received out of state funds on grounds only of religion, race, caste, language or any of them"

1. Article 29(1)
2. Article 29(2)
3. Article 30(1)
4. Article 30(2)

**Options :**

- 485584138057. 1
- 485584138058. 2
- 485584138059. 3
- 485584138060. 4

**Question Number : 361 Question Id : 48558434516 Question Type : MCQ Option Shuffling : No Is Question Mandatory : No Calculator : None Response Time : N.A Think Time : N.A Minimum Instruction Time : 0**

**Correct Marks : 5 Wrong Marks : 1**

**Question Key Details :**

Key	Value
Comprehension	MCQ

Who considered exclusive nationalism to be an evil?

1. J.Nehru
2. R. Tagor
3. B.R. Ambedkar
4. Bhagat Singh

**Options :**

- 485584138061. 1
- 485584138062. 2
- 485584138063. 3
- 485584138064. 4

**Question Number : 362 Question Id : 48558434517 Question Type : MCQ Option Shuffling : No Is Question Mandatory : No Calculator : None Response Time : N.A Think Time : N.A Minimum Instruction Time : 0**

**Correct Marks : 5 Wrong Marks : 1**

**Question Key Details :**

Key	Value
Comprehension	MCQ

Match List I with List II

LIST I		LIST II	
A.	Zamindari System	I.	Benami transfer
B.	Rayatwari System	II.	Radical restructuring of agrarian structure in Kerala+Bengal
C.	Tenancy abolition and regulation	III.	Less burden of taxation, more proporsion
D.	Land Ceiling	IV.	Agricultural product stagnated/deliver

Choose the correct answer from the options given below:

1. A-III, B-I, C-IV, D-II
2. A-IV, B-II, C-I, D-III
3. A-I, B-II, C-III, D-IV
4. A-IV, B-III, C-II, D-I

**Options :**

485584138065. 1  
485584138066. 2  
485584138067. 3  
485584138068. 4

**Question Number : 363 Question Id : 48558434518 Question Type : MCQ Option Shuffling : No Is Question Mandatory : No Calculator : None Response Time : N.A Think Time : N.A Minimum Instruction Time : 0**

**Correct Marks : 5 Wrong Marks : 1**

**Question Key Details :**

Key	Value
Comprehension	MCQ

Strike out incorrect statement about Panchayati Raj:-

1. Panchayati Raj translates to "Governance by five individuals"
2. At the base of the structure stands "Gram Sabha"
3. The 74<sup>th</sup> Amanedment provided a three-tier system of Panchayati Raj
4. Election to these bodies are conducted every five years.

**Options :**

485584138069. 1  
485584138070. 2  
485584138071. 3  
485584138072. 4

**Question Number : 364 Question Id : 48558434519 Question Type : MCQ Option Shuffling : No Is Question Mandatory : No Calculator : None Response Time : N.A Think Time : N.A Minimum Instruction Time : 0**

**Correct Marks : 5 Wrong Marks : 1**

**Question Key Details :**

Key	Value
Comprehension	MCQ

Read the statements given below and choose the option with the correct sequence of events:

- A. Green revolution introduced in the dry and the semi-arid regions of India 2<sup>nd</sup> phase
- B. New technology introduced
- C. Displacement of service caste groups.
- D. Increasing Commercialisation

Choose the correct answer from the option given below:

- 1. A, B, C, D
- 2. B, C, A, D
- 3. D, C, A, B
- 4. B, C, D, A

**Options :**

- 485584138073. 1
- 485584138074. 2
- 485584138075. 3
- 485584138076. 4

**Question Number : 365 Question Id : 48558434520 Question Type : MCQ Option Shuffling : No Is Question Mandatory : No Calculator : None Response Time : N.A Think Time : N.A Minimum Instruction Time : 0**

**Correct Marks : 5 Wrong Marks : 1**

**Question Key Details :**

Key	Value
Comprehension	MCQ

Extended working hours are Legitimesed by the common management, Which in theory, gives the employee freedom to choose his/her working hours. Give the common nomenclature of this process.

- 1. Own-Time
- 2. Flexi-Time
- 3. Me-Time
- 4. Work-From-Home-Time

**Options :**

- 485584138077. 1
- 485584138078. 2
- 485584138079. 3
- 485584138080. 4

**Question Number : 366 Question Id : 48558434521 Question Type : MCQ Option Shuffling : No Is Question Mandatory : No Calculator : None Response Time : N.A Think Time : N.A Minimum Instruction Time : 0**

**Correct Marks : 5 Wrong Marks : 1**

**Question Key Details :**

Key	Value
Comprehension	MCQ

Disinvestment means:

1. Svaging in the bank
2. Privatisation of public sector or Government companies
3. Open market for global citizens
4. Acquiring small and medium industries

**Options :**

- 485584138081. 1
- 485584138082. 2
- 485584138083. 3
- 485584138084. 4

**Question Number : 367 Question Id : 48558434522 Question Type : MCQ Option Shuffling : No Is Question Mandatory : No Calculator : None Response Time : N.A Think Time : N.A Minimum Instruction Time : 0**

**Correct Marks : 5 Wrong Marks : 1**

**Question Key Details :**

Key	Value
Comprehension	MCQ

Arrange the following process in chronological order:

- A. Manufacturer branding and selling
- B. Workers rolling the leaves
- C. Plucking of tendu leaves
- D. Selling tendu leaves by contractor to government
- E. Auctions leaves of factory owners

Choose the correct answer from the options given below:

1. C, D, E, B, A
2. C, D, E, A, B
3. C, D, B, A, E
4. C, D, A, E, B

**Options :**

- 485584138085. 1
- 485584138086. 2
- 485584138087. 3
- 485584138088. 4

Question Number : 368 Question Id : 48558434523 Question Type : MCQ Option Shuffling : No Is Question Mandatory : No Calculator : None Response Time : N.A Think Time : N.A Minimum Instruction Time : 0

Correct Marks : 5 Wrong Marks : 1

Question Key Details :

Key	Value
Comprehension	MCQ

Who has argued nation as an imagined community?

1. J. Gutenleerg
2. Raja Rammohan Roy
3. Vidyasagar
4. Benedict Anderson

Options :

485584138089. 1  
485584138090. 2  
485584138091. 3  
485584138092. 4

Question Number : 369 Question Id : 48558434524 Question Type : MCQ Option Shuffling : No Is Question Mandatory : No Calculator : None Response Time : N.A Think Time : N.A Minimum Instruction Time : 0

Correct Marks : 5 Wrong Marks : 1

Question Key Details :

Key	Value
Comprehension	MCQ

Match List I with List II

LIST I		LIST II	
Nature of work		Industry	
A.	Working conditions	I.	Bidi making, zari making
B.	Recruitment	II.	The mines Act 1952
C.	Management	III.	Jobless
D.	Home based work	IV.	Taylorism

Choose the correct answer from the options given below:

1. A-I, B-II, C-III, D-IV
2. A-III, B-IV, C-I, D-II
3. A-IV, B-I, C-II, D-III
4. A-II, B-III, C-IV, D-I

Options :

485584138093. 1  
485584138094. 2  
485584138095. 3

**Question Number : 370 Question Id : 48558434525 Question Type : MCQ Option Shuffling : No Is Question Mandatory : No Calculator : None Response Time : N.A Think Time : N.A Minimum Instruction Time : 0**

**Correct Marks : 5 Wrong Marks : 1**

**Question Key Details :**

Key	Value
Comprehension	MCQ

bidi workers are:

- A. Workers who substitute for regular permanent workers.
- B. Contract workers.
- C. Permanent workers.
- D. Workers who receive equal status and security like permanent workers

Choose the correct answer from the options given below:

- 1. C, D Only
- 2. A, B Only
- 3. A, D Only
- 4. B, D Only

**Options :**

- 485584138097. 1
- 485584138098. 2
- 485584138099. 3
- 485584138100. 4

**Question Number : 371 Question Id : 48558434526 Question Type : MCQ Option Shuffling : No Is Question Mandatory : No Calculator : None Response Time : N.A Think Time : N.A Minimum Instruction Time : 0**

**Correct Marks : 5 Wrong Marks : 1**

**Question Key Details :**

Key	Value
Comprehension	MCQ



The critics of Malthosian theory argued that poverty and Starvation were caused by

- A. Unequal distribution of economic resources
- B. Population growth
- C. injust social system
- D. Privileged minority

Choose the correct answer from the options given below:

- 1. B & D Only
- 2. B & C Only
- 3. A & C Only
- 4. A & B Only

**Options :**

- 485584138101. 1
- 485584138102. 2
- 485584138103. 3
- 485584138104. 4

**Question Number : 372 Question Id : 48558434527 Question Type : MCQ Option Shuffling : No Is Question Mandatory : No Calculator : None Response Time : N.A Think Time : N.A Minimum Instruction Time : 0**

**Correct Marks : 5 Wrong Marks : 1**

**Question Key Details :**

Key	Value
Comprehension	MCQ

The term used when individual are required to marry outside his/her group:

- 1. Monogamy
- 2. Polygamy
- 3. Endogamy
- 4. Exogamy

**Options :**

- 485584138105. 1
- 485584138106. 2
- 485584138107. 3
- 485584138108. 4

**Question Number : 373 Question Id : 48558434528 Question Type : MCQ Option Shuffling : No Is Question Mandatory : No Calculator : None Response Time : N.A Think Time : N.A Minimum Instruction Time : 0**

**Correct Marks : 5 Wrong Marks : 1**

**Question Key Details :**

Key	Value
Comprehension	MCQ

Permanent traits in tribes does not include:

1. region
2. Religion
3. language
4. Ecological Habit

**Options :**

- 485584138109. 1
- 485584138110. 2
- 485584138111. 3
- 485584138112. 4

**Question Number : 374 Question Id : 48558434529 Question Type : MCQ Option Shuffling : No Is Question Mandatory : No Calculator : None Response Time : N.A Think Time : N.A Minimum Instruction Time : 0**

**Correct Marks : 5 Wrong Marks : 1**

**Question Key Details :**

Key	Value
Comprehension	MCQ

The most common features of caste are:

- A. It involves strict rule about marriage.
- B. It involves rules about food and food sharing
- C. It is a matter of choice.
- D. Castes involved subdivisions within themselves.

Choose the correct answer from the options given below:

1. A, B & D Only
2. B, C & D Only
3. A, C & D Only
4. A, B & C Only'

**Options :**

- 485584138113. 1
- 485584138114. 2
- 485584138115. 3
- 485584138116. 4

**Question Number : 375 Question Id : 48558434530 Question Type : MCQ Option Shuffling : No Is Question Mandatory : No Calculator : None Response Time : N.A Think Time : N.A Minimum Instruction Time : 0**

**Correct Marks : 5 Wrong Marks : 1**

**Question Key Details :**

Key	Value
Comprehension	MCQ

Who coined the term 'Status Symbol'?

1. T. K. Domenn
2. Levi Strauss
3. Emile Durkheim
4. Max Weber

**Options :**

- 485584138117. 1
- 485584138118. 2
- 485584138119. 3
- 485584138120. 4

**Question Number : 376 Question Id : 48558434531 Question Type : MCQ Option Shuffling : No Is Question Mandatory : No Calculator : None Response Time : N.A Think Time : N.A Minimum Instruction Time : 0**

**Correct Marks : 5 Wrong Marks : 1**

**Question Key Details :**

Key	Value
Comprehension	MCQ

Which tribe is matrilineal?

1. Bakarwal
2. Khasi
3. Bhil
4. Santhal

**Options :**

- 485584138121. 1
- 485584138122. 2
- 485584138123. 3
- 485584138124. 4

**Question Number : 377 Question Id : 48558434532 Question Type : MCQ Option Shuffling : No Is Question Mandatory : No Calculator : None Response Time : N.A Think Time : N.A Minimum Instruction Time : 0**

**Correct Marks : 5 Wrong Marks : 1**

**Question Key Details :**

Key	Value
Comprehension	MCQ

Indian parliamentary and Legal system is based on:

1. French Model
2. Canadian Model
3. British Model
4. Australian Model

**Options :**

485584138125. 1  
485584138126. 2  
485584138127. 3  
485584138128. 4

**Question Number : 378 Question Id : 48558434533 Question Type : MCQ Option Shuffling : No Is Question Mandatory : No Calculator : None Response Time : N.A Think Time : N.A Minimum Instruction Time : 0**

**Correct Marks : 5 Wrong Marks : 1**

**Question Key Details :**

Key	Value
Comprehension	MCQ

Social inequality and exclusion are social because

- A. They are structured
- B. They are systematic
- C. They are unstructured
- D. They are non systematic

Choose the correct answer from the options given below:

1. A & D Only
2. B & C Only
3. A & B Only
4. C & D Only

**Options :**

485584138129. 1  
485584138130. 2  
485584138131. 3  
485584138132. 4

**Question Number : 379 Question Id : 48558434534 Question Type : MCQ Option Shuffling : No Is Question Mandatory : No Calculator : None Response Time : N.A Think Time : N.A Minimum Instruction Time : 0**

**Correct Marks : 5 Wrong Marks : 1**

**Question Key Details :**

Key	Value
Comprehension	MCQ

In 1993 Supreme Court held that Right to Information is part of and incidental to The Right of expression under:

1. Article 19 (1)(A)
2. Article 17
3. Article 20 (1)(B)
4. Article 15

**Options :**

- 485584138133. 1
- 485584138134. 2
- 485584138135. 3
- 485584138136. 4

**Question Number : 380 Question Id : 48558434535 Question Type : MCQ Option Shuffling : No Is Question Mandatory : No Calculator : None Response Time : N.A Think Time : N.A Minimum Instruction Time : 0**

**Correct Marks : 5 Wrong Marks : 1**

**Question Key Details :**

Key	Value
Comprehension	MCQ

Arrange the following in order of the development of Indian women's struggle for equality.

- A. Raja Rammohan Roy undertook the campaign against Sati
- B. Law became the major site for reform against violence
- C. Karachi Session of INC committed itself to women's equality
- D. Dayanand saraswati stood for women's education based on religious principles

Choose the correct answer from the options given below:

1. D, A, C, B
2. B, D, C, A
3. A, B, C, D
4. A, D, C, B

**Options :**

- 485584138137. 1
- 485584138138. 2
- 485584138139. 3
- 485584138140. 4

**Question Number : 381 Question Id : 48558434536 Question Type : MCQ Option Shuffling : No Is Question Mandatory : No Calculator : None Response Time : N.A Think Time : N.A Minimum Instruction Time : 0**

**Correct Marks : 5 Wrong Marks : 1**

**Question Key Details :**

Key	Value
Comprehension	MCQ

Arrange the following in chronological sequence (from oldest to newest events)

- A. Champaran Satyagraha
- B. Bihar Provincial Kisan Sabha
- C. Deccan riots
- D. Tebhaga Movement
- E. Bardoli Satyagraha

Choose the correct answer from the options given below:

- 1. D, B, C, A, E
- 2. C, A, E, B, D
- 3. B, D, A, C, E
- 4. A, B, C, D, E

**Options :**

- 485584138141. 1
- 485584138142. 2
- 485584138143. 3
- 485584138144. 4

**Question Number : 382 Question Id : 48558434537 Question Type : MCQ Option Shuffling : No Is Question Mandatory : No Calculator : None Response Time : N.A Think Time : N.A Minimum Instruction Time : 0**

**Correct Marks : 5 Wrong Marks : 1**

**Question Key Details :**

Key	Value
Comprehension	MCQ

Sanskritization is a process of

- 1. Upward mobility
- 2. Downward mobility
- 3. Intra-generational mobility
- 4. Horizontal mobility

**Options :**

- 485584138145. 1
- 485584138146. 2
- 485584138147. 3
- 485584138148. 4

**Question Number : 383 Question Id : 48558434538 Question Type : MCQ Option Shuffling : No Is Question Mandatory : No Calculator : None Response Time : N.A Think Time : N.A Minimum Instruction Time : 0**

**Correct Marks : 5 Wrong Marks : 1**

**Question Key Details :**

Key	Value
Comprehension	MCQ

Out of the following which is the dominant caste in Andhra Pradesh?

1. Lingayats
2. Kammas
3. Jat
4. Sikhs

**Options :**

- 485584138149. 1
- 485584138150. 2
- 485584138151. 3
- 485584138152. 4

**Question Number : 384 Question Id : 48558434539 Question Type : MCQ Option Shuffling : No Is Question Mandatory : No Calculator : None Response Time : N.A Think Time : N.A Minimum Instruction Time : 0**

**Correct Marks : 5 Wrong Marks : 1**

**Question Key Details :**

Key	Value
Comprehension	MCQ

In the decocratic form of government who are the key actors?

1. Industrialists
2. Political Parties
3. People
4. NGO's

**Options :**

- 485584138153. 1
- 485584138154. 2
- 485584138155. 3
- 485584138156. 4

**Question Number : 385 Question Id : 48558434540 Question Type : MCQ Option Shuffling : No Is Question Mandatory : No Calculator : None Response Time : N.A Think Time : N.A Minimum Instruction Time : 0**

**Correct Marks : 5 Wrong Marks : 1**

**Question Key Details :**

Key	Value
Comprehension	MCQ

Which amendment provided a three-tier system of Panchayati Raj for all states having a population of over twenty lakh.

1. The 92nd Amendment
2. The 73<sup>rd</sup> Amendment
3. The 56<sup>th</sup> Amendment
4. The 83<sup>rd</sup> Amendment

**Options :**

- 485584138157. 1
- 485584138158. 2
- 485584138159. 3
- 485584138160. 4

**Question Number : 386 Question Id : 48558434541 Question Type : MCQ Option Shuffling : No Is Question Mandatory : No Calculator : None Response Time : N.A Think Time : N.A Minimum Instruction Time : 0**

**Correct Marks : 5 Wrong Marks : 1**

**Question Key Details :**

Key	Value
Comprehension	MCQ

An economy where the workforce involved in Design, Development, Technology, Marketing, Sales and Services is known as:-

1. Knowledge economy
2. Developed economy
3. Developing
4. Electronic economy

**Options :**

- 485584138161. 1
- 485584138162. 2
- 485584138163. 3
- 485584138164. 4

**Question Number : 387 Question Id : 48558434542 Question Type : MCQ Option Shuffling : No Is Question Mandatory : No Calculator : None Response Time : N.A Think Time : N.A Minimum Instruction Time : 0**

**Correct Marks : 5 Wrong Marks : 1**

**Question Key Details :**

Key	Value
Comprehension	MCQ



India's first long running soap opera was:

1. Hum log
2. Buniyaad
3. Ramayana
4. Mahabharata

**Options :**

485584138165. 1  
485584138166. 2  
485584138167. 3  
485584138168. 4

**Question Number : 388 Question Id : 48558434543 Question Type : MCQ Option Shuffling : No Is Question Mandatory : No Calculator : None Response Time : N.A Think Time : N.A Minimum Instruction Time : 0**

**Correct Marks : 5 Wrong Marks : 1**

**Question Key Details :**

Key	Value
Comprehension	MCQ

Who wrote Unquite Woods?

1. Karl Marx
2. Ramchandra Guha
3. Dipanker Gupta
4. M.N.Srinivas

**Options :**

485584138169. 1  
485584138170. 2  
485584138171. 3  
485584138172. 4

**Question Number : 389 Question Id : 48558434544 Question Type : MCQ Option Shuffling : No Is Question Mandatory : No Calculator : None Response Time : N.A Think Time : N.A Minimum Instruction Time : 0**

**Correct Marks : 5 Wrong Marks : 1**

**Question Key Details :**

Key	Value
Comprehension	MCQ

Social movement is:

1. absence of any degree of organisation
2. sustained collective action
3. necessarily include a leadership
4. disorganised protest

**Options :**

- 485584138173. 1
- 485584138174. 2
- 485584138175. 3
- 485584138176. 4

**Question Number : 390 Question Id : 48558434545 Question Type : MCQ Option Shuffling : No Is Question Mandatory : No Calculator : None Response Time : N.A Think Time : N.A Minimum Instruction Time : 0**

**Correct Marks : 5 Wrong Marks : 1**

**Question Key Details :**

Key	Value
Comprehension	MCQ

Gender identities impact men as well. A typical man in the Indian society is expected to be the following:

1. Do household work
2. Help in child rearing
3. Strong and successful
4. Helpful and compassionate

**Options :**

- 485584138177. 1
- 485584138178. 2
- 485584138179. 3
- 485584138180. 4

**Sub-Section Number :** 2  
**Sub-Section Id :** 4855842553  
**Question Shuffling Allowed :** No  
**Is Section Default? :** null

**Question Number : 391 Question Id : 48558434546 Question Type : MCQ Option Shuffling : No Is Question Mandatory : No Calculator : None Response Time : N.A Think Time : N.A Minimum Instruction Time : 0**

**Correct Marks : 5 Wrong Marks : 1**

**Question Key Details :**

Key	Value
Comprehension	Comp1

Clamoring to enter India's red-hot retail sector, the world's largest chains, including WalMart Stores, Carrefour and Tesco, are seeking the best way to enter the country, despite a government ban on foreign direct investment in the market. Recent large investment by major Indian businesses, like Reliance Industries and Bharat Airtel, have increased the sense of urgency for foreign retailers..... Last week Bharat Airtel indicated that it was in talks with Wal-Mart, Carrefour and Tesco to set up a joint venture .... India's retails sector is attractive

not only because of its fast growth, but because family-run street corner stores have 97 % of the nation's business. But this industry trait is precisely why the government makes it hard for foreigners to enter the market. Politicians frequently argue that global retailers would destroy thousands of small local players and fledgling domestic chains.

The government is trying to sell its share in several public sector companies, a process which is known as \_\_\_\_\_

1. Foreign investment
2. De investment
3. Dis investment
4. Retail therapy

**Options :**

- 485584138181. 1
- 485584138182. 2
- 485584138183. 3
- 485584138184. 4

**Question Number : 392 Question Id : 48558434547 Question Type : MCQ Option Shuffling : No Is Question Mandatory : No Calculator : None Response Time : N.A Think Time : N.A Minimum Instruction Time : 0**

**Correct Marks : 5 Wrong Marks : 1**

**Question Key Details :**

Key	Value
Comprehension	Comp1

Clamoring to enter India's red-hot retail sector, the world's largest chains, including WalMart Stores, Carrefour and Tesco, are seeking the best way to enter the country, despite a government ban on foreign direct investment in the market. Recent large investment by major Indian businesses, like Reliance Industries and Bharat Airtel, have increased the sense of urgency for foreign retailers..... Last week Bharat Airtel indicated that it was in talks with Wal-Mart, Carrefour and Tesco to set up a joint venture .... India's retails sector is attractive

not only because of its fast growth, but because family-run street corner stores have 97 % of the nation's business. But this industry trait is precisely why the government makes it hard for foreigners to enter the market. Politicians frequently argue that global retailers would destroy thousands of small local players and fledgling domestic chains.

Due to globalisation, MNCs are outsourcing work to developing countries because:

1. Most MNC are headed by people from developing countries like India
2. The International Monetary Fund and World Trade Organisation makes it mandatory
3. Labour is skilled
4. Labour is cheaper in developing countries which will yield bigger profits for the MNCs

**Options :**

- 485584138185. 1
- 485584138186. 2
- 485584138187. 3
- 485584138188. 4

**Question Number : 393 Question Id : 48558434548 Question Type : MCQ Option Shuffling : No Is Question Mandatory : No Calculator : None Response Time : N.A Think Time : N.A Minimum Instruction Time : 0**

**Correct Marks : 5 Wrong Marks : 1**

**Question Key Details :**

Key	Value
Comprehension	Comp1

Clamoring to enter India's red-hot retail sector, the world's largest chains, including WalMart Stores, Carrefour and Tesco, are seeking the best way to enter the country, despite a government ban on foreign direct investment in the market. Recent large investment by major Indian businesses, like Reliance Industries and Bharat Airtel, have increased the sense of urgency for foreign retailers..... Last week Bharat Airtel indicated that it was in talks with Wal-Mart, Carrefour and Tesco to set up a joint venture .... India's retail sector is attractive not only because of its fast growth, but because family-run street corner stores have 97 % of the nation's business. But this industry trait is precisely why the government makes it hard for foreigners to enter the market. Politicians frequently argue that global retailers would destroy thousands of small local players and fledgling domestic chains.

India's retail sector is attractive not only because of its fast growth, but because family run street cover. Stores have a large share of the market. Identify the share of the family run cover business in retail sector.

1. 59%
2. 97%
3. 79%
4. 90%

**Options :**

- 485584138189. 1
- 485584138190. 2
- 485584138191. 3
- 485584138192. 4

**Question Number : 394 Question Id : 48558434549 Question Type : MCQ Option Shuffling : No Is Question Mandatory : No Calculator : None Response Time : N.A Think Time : N.A Minimum Instruction Time : 0**

**Correct Marks : 5 Wrong Marks : 1**

**Question Key Details :**

Key	Value
Comprehension	Comp1

Clamoring to enter India's red-hot retail sector, the world's largest chains, including WalMart Stores, Carrefour and Tesco, are seeking the best way to enter the country, despite a government ban on foreign direct investment in the market. Recent large investment by major Indian businesses, like Reliance Industries and Bharat Airtel, have increased the sense of urgency for foreign retailers..... Last week Bharat Airtel indicated that it was in talks with Wal-Mart, Carrefour and Tesco to set up a joint venture .... India's retails sector is attractive not only because of its fast growth, but because family-run street corner stores have 97 % of the nation's business. But this industry trait is precisely why the government makes it hard for foreigners to enter the market. Politicians frequently argue that global retailers would destroy thousands of small local players and fledgling domestic chains.

Parle drinks bring bought by Coca Cola in an example of

1. Liberealization
2. De-Monetisation
3. Globalization
4. Acquisition

**Options :**

- 485584138193. 1
- 485584138194. 2
- 485584138195. 3
- 485584138196. 4

**Question Number : 395 Question Id : 48558434550 Question Type : MCQ Option Shuffling : No Is Question Mandatory : No Calculator : None Response Time : N.A Think Time : N.A Minimum Instruction Time : 0**

**Correct Marks : 5 Wrong Marks : 1**

**Question Key Details :**

Key	Value
Comprehension	Comp1

Clamoring to enter India's red-hot retail sector, the world's largest chains, including WalMart Stores, Carrefour and Tesco, are seeking the best way to enter the country, despite a government ban on foreign direct investment in the market. Recent large investment by major Indian businesses, like Reliance Industries and Bharat Airtel, have increased the sense of urgency for foreign retailers..... Last week Bharat Airtel indicated that it was in talks with Wal-Mart, Carrefour and Tesco to set up a joint venture .... India's retails sector is attractive not only because of its fast growth, but because family-run street corner stores have 97 % of the nation's business. But this industry trait is precisely why the government makes it hard for foreigners to enter the market. Politicians frequently argue that global retailers would destroy thousands of small local players and fledgling domestic chains.

Identify the world's largest MNC in retail market

1. Wal - Mart stores
2. Pepsico
3. Relaince- Industries
4. Amazon

**Options :**

- 485584138197. 1
- 485584138198. 2
- 485584138199. 3
- 485584138200. 4

**Sub-Section Number :** 3  
**Sub-Section Id :** 4855842554  
**Question Shuffling Allowed :** No  
**Is Section Default? :** null

**Question Number : 396 Question Id : 48558434551 Question Type : MCQ Option Shuffling : No Is Question Mandatory : No Calculator : None Response Time : N.A Think Time : N.A Minimum Instruction Time : 0**

**Correct Marks : 5 Wrong Marks : 1**

**Question Key Details :**

Key	Value
Comprehension	Comp2

Read the following passage and answer question based on the concept.

Considered from an, urban point of view. The rapid growth in urbanization shows that the town or city has been acting as a magnet for the rural population. Those who cannot find work (or sufficient work) in the rural areas go to the city in search of work. This flow of rural-to-urban migration has also been accelerated by the continuous decline of common property resources like ponds, forests and grazing land. These common resources enabled poor people to survive in the villages although they owned little or no land. Now, these resources have been turned into private property, or they are exhausted. (Ponds may run dry no longer provide enough fish; forests may have been cut down and have vanished...). If people no longer have access to these resources, but on the other hand have to buy many things in the market that they used to get free (like fuel, fodder or supplementary food items). Then their hardship increases. This hardship is worsened by the fact that opportunities for cash income are limited in the villages.

Identify how is Mass Media contributing to urbanization?

1. By controlling the product market
2. By streaming the image of urban life styles and patterns of consumption to rural people
3. By changing the views of rural people
4. By providing employment

**Options :**

- 485584138201. 1
- 485584138202. 2
- 485584138203. 3

**Question Number : 397 Question Id : 48558434552 Question Type : MCQ Option Shuffling : No Is Question Mandatory : No Calculator : None Response Time : N.A Think Time : N.A Minimum Instruction Time : 0**

**Correct Marks : 5 Wrong Marks : 1**

**Question Key Details :**

Key	Value
Comprehension	Comp2

Read the following passage and answer question based on the concept.

Considered from an, urban point of view. The rapid growth in urbanization shows that the town or city has been acting as a magnet for the rural population. Those who cannot find work (or sufficient work) in the rural areas go to the city in search of work. This flow of rural-to-urban migration has also been accelerated by the continuous decline of common property resources like ponds, forests and grazing land. These common resources enabled poor people to survive in the villages although they owned little or no land. Now, these resources have been turned into private property, or they are exhausted. (Ponds may run dry no longer provide enough fish; forests may have been cut down and have vanished...). If people no longer have access to these resources, but on the other hand have to buy many things in the market that they used to get free (like fuel, fodder or supplementary food items). Then their hardship increases. This hardship is worsened by the fact that opportunities for cash income are limited in the villages.

"There is a selective in the common property resources in the village trading to migration in that are these common property resources?"

1. Agricultural land
2. Ponds, forests and grazing land
3. Agricultural Implements
4. Friends and relatives

**Options :**

485584138205. 1  
 485584138206. 2  
 485584138207. 3  
 485584138208. 4

**Question Number : 398 Question Id : 48558434553 Question Type : MCQ Option Shuffling : No Is Question Mandatory : No Calculator : None Response Time : N.A Think Time : N.A Minimum Instruction Time : 0**

**Correct Marks : 5 Wrong Marks : 1**

**Question Key Details :**

Key	Value
Comprehension	Comp2

Read the following passage and answer question based on the concept.

Considered from an, urban point of view. The rapid growth in urbanization shows that the town or city has been acting as a magnet for the rural population. Those who cannot find work (or sufficient work) in the rural areas go to the city in search of work. This flow of rural-to-urban migration has also been accelerated by the continuous decline of common property resources like ponds, forests and grazing land. These common resources enabled poor people to survive in the villages although they owned little or no land. Now, these resources have been turned into private property, or they are exhausted. (Ponds may run dry no longer provide enough fish; forests may have been cut down and have vanished...). If people no longer have access to these resources, but on the other hand have to buy many things in the market that they used to get free (like fuel, fodder or supplementary food items). Then their hardship increases. This hardship is worsened by the fact that opportunities for cash income are limited in the villages.

Urbanisation is not just impacting the number of people migration to urban areas, but also impacting:

1. Increased interaction of urban people
2. Increased resources for rural people left behind
3. Decline in socio- economic significances of agrarian way of life
4. Increased resources of urban people

**Options :**

- 485584138209. 1
- 485584138210. 2
- 485584138211. 3
- 485584138212. 4

**Question Number : 399 Question Id : 48558434554 Question Type : MCQ Option Shuffling : No Is Question Mandatory : No Calculator : None Response Time : N.A Think Time : N.A Minimum Instruction Time : 0**

**Correct Marks : 5 Wrong Marks : 1**

**Question Key Details :**

Key	Value
Comprehension	Comp2

Read the following passage and answer question based on the concept.

Considered from an, urban point of view. The rapid growth in urbanization shows that the town or city has been acting as a magnet for the rural population. Those who cannot find work (or sufficient work) in the rural areas go to the city in search of work. This flow of rural-to-urban migration has also been accelerated by the continuous decline of common property resources like ponds, forests and grazing land. These common resources enabled poor people to survive in the villages although they owned little or no land. Now, these resources have been turned into private property, or they are exhausted. (Ponds may run dry no longer provide enough fish; forests may have been cut down and have vanished...). If people no longer have access to these resources, but on the other hand have to buy many things in the market that they used to get free (like fuel, fodder or supplementary food items). Then their hardship increases. This hardship is worsened by the fact that opportunities for cash income are limited in the villages.



Decline in common property resources like ponds, forests has led to acceleration of:

1. Rural and rural
2. Urban and rural
3. Rural and urban
4. Urban to urban

**Options :**

485584138213. 1  
485584138214. 2  
485584138215. 3  
485584138216. 4

**Question Number : 400 Question Id : 48558434555 Question Type : MCQ Option Shuffling : No Is Question Mandatory : No Calculator : None Response Time : N.A Think Time : N.A Minimum Instruction Time : 0**

**Correct Marks : 5 Wrong Marks : 1**

**Question Key Details :**

Key	Value
Comprehension	Comp2

Read the following passage and answer question based on the concept.

Considered from an, urban point of view. The rapid growth in urbanization shows that the town or city has been acting as a magnet for the rural population. Those who cannot find work (or sufficient work) in the rural areas go to the city in search of work. This flow of rural-to-urban migration has also been accelerated by the continuous decline of common property resources like ponds, forests and grazing land. These common resources enabled poor people to survive in the villages although they owned little or no land. Now, these resources have been turned into private property, or they are exhausted. (Ponds may run dry no longer provide enough fish; forests may have been cut down and have vanished...). If people no longer have access to these resources, but on the other hand have to buy many things in the market that they used to get free (like fuel, fodder or supplementary food items). Then their hardship increases. This hardship is worsened by the fact that opportunities for cash income are limited in the villages.

The emergence of machine production, based on the use of inanimate power resources like steem or electricity is known as:

1. Globalisation
2. Modernisation
3. Industrilisation
4. Glocalisation

**Options :**

485584138217. 1  
485584138218. 2  
485584138219. 3  
485584138220. 4

## General Test

**Group Number :** 15  
**Group Id :** 485584782  
**Group Maximum Duration :** 60  
**Group Minimum Duration :** 60  
**Show Attended Group? :** No  
**Edit Attended Group? :** No  
**Break time :** 0  
**Group Marks :** 250  
**Is this Group for Examiner? :** No  
**Examiner permission :** Cant View  
**Show Progress Bar? :** No

## General Test

**Section Id :** 485584900  
**Section Number :** 1  
**Section type :** Online  
**Mandatory or Optional :** Mandatory  
**Number of Questions :** 60  
**Number of Questions to be attempted :** 50  
**Section Marks :** 250  
**Enable Mark as Answered Mark for Review and Clear Response :** Yes  
**Maximum Instruction Time :** 0  
**Sub-Section Number :** 1  
**Sub-Section Id :** 4855842555  
**Question Shuffling Allowed :** Yes  
**Is Section Default? :** null

**Question Number : 401 Question Id : 48558433996 Question Type : MCQ Option Shuffling : No Is Question Mandatory : No Calculator : None Response Time : N.A Think Time : N.A Minimum Instruction Time : 0 Correct Marks : 5 Wrong Marks : 1**

### Question Key Details :

Key	Value
Comprehension	MCQ

In how many ways can a committee of 7 members be selected from 6 men and 5 women consisting of 4 men and 3 women?

1. 25
2. 147
3. 150
4. 600

### Options :

485584135981. 1  
485584135982. 2  
485584135983. 3  
485584135984. 4

Question Number : 402 Question Id : 48558433997 Question Type : MCQ Option Shuffling : No Is Question Mandatory : No Calculator : None Response Time : N.A Think Time : N.A Minimum Instruction Time : 0

Correct Marks : 5 Wrong Marks : 1

Question Key Details :

Key	Value
Comprehension	MCQ

The simple interest of Rs 6500 for  $1\frac{1}{2}$  years at 10% is

1. 945
2. 950
3. 960
4. 975

Options :

- 485584135985. 1
- 485584135986. 2
- 485584135987. 3
- 485584135988. 4

Question Number : 403 Question Id : 48558433998 Question Type : MCQ Option Shuffling : No Is Question Mandatory : No Calculator : None Response Time : N.A Think Time : N.A Minimum Instruction Time : 0

Correct Marks : 5 Wrong Marks : 1

Question Key Details :

Key	Value
Comprehension	MCQ

Two friends A and B invest in a buissness in partnership. B borrows 20% of A's salary, combines it with 60% of his salary and invest with A, who puts all of his remaining salary. One year later the ratio of profit of A and B is 5:3 respectively and B returns Rs.21000 to A which he borrowed from him. What is the difference between salary of A and B?

1. Rs. 56000
2. Rs. 32000
3. Rs. 60000
4. Rs. 28000

Options :

- 485584135989. 1
- 485584135990. 2
- 485584135991. 3
- 485584135992. 4

Question Number : 404 Question Id : 48558433999 Question Type : MCQ Option Shuffling : No Is Question Mandatory : No Calculator : None Response Time : N.A Think Time : N.A Minimum Instruction Time : 0

Correct Marks : 5 Wrong Marks : 1

**Question Key Details :**

Key	Value
Comprehension	MCQ

The perimeter of one face of a cube is 24cm. its volume must be:

1.  $216 \text{ cm}^3$
2.  $1200 \text{ cm}^3$
3.  $576 \text{ cm}^3$
4.  $13824 \text{ cm}^3$

**Options :**

485584135993. 1  
485584135994. 2  
485584135995. 3  
485584135996. 4

**Question Number : 405 Question Id : 48558434000 Question Type : MCQ Option Shuffling : No Is Question Mandatory : No Calculator : None Response Time : N.A Think Time : N.A Minimum Instruction Time : 0**

**Correct Marks : 5 Wrong Marks : 1**

**Question Key Details :**

Key	Value
Comprehension	MCQ

What is empirical relationship between mean, median and mode?

- A.  $\text{Mean} - \text{Mode} = 3(\text{Mean} - \text{Median})$
- B.  $\text{Mode} = \text{Mean} - \text{Median}$
- C.  $\text{Mode} = 3 \text{ Median} - 2 \text{ Mean}$
- D.  $\text{Median} - \text{Mode} = 3 (\text{Mean} - \text{Median})$
- E.  $\text{Mode} = 2 \text{ Mean} + 3 \text{ Median}$

Choose the correct answer from the options given below\_

1. C only
2. Both A and C only
3. Both A and B only
4. Both D and E only

**Options :**

485584135997. 1  
485584135998. 2  
485584135999. 3  
485584136000. 4

**Question Number : 406 Question Id : 48558434001 Question Type : MCQ Option Shuffling : No Is Question Mandatory : No Calculator : None Response Time : N.A Think Time : N.A Minimum Instruction Time : 0**

**Correct Marks : 5 Wrong Marks : 1**

**Question Key Details :**

Key	Value
Comprehension	MCQ

A person walks from his house to his office at a speed of  $x_1$  km/hr and returns by the same route at a speed of  $x_2$  km/hr. What is his average speed?

1.  $\frac{x_1 + x_2}{2}$

2.  $\frac{x_1 + x_2}{2x_1x_2}$

3.  $\frac{2x_1x_2}{x_1 + x_2}$

4.  $\frac{x_1 + x_2}{x_1x_2}$

**Options :**

- 485584136001. 1
- 485584136002. 2
- 485584136003. 3
- 485584136004. 4

**Question Number : 407 Question Id : 48558434002 Question Type : MCQ Option Shuffling : No Is Question Mandatory : No Calculator : None Response Time : N.A Think Time : N.A Minimum Instruction Time : 0**

**Correct Marks : 5 Wrong Marks : 1**

**Question Key Details :**

Key	Value
Comprehension	MCQ

A thief is spotted by a policeman from a distance of 100m. when the policeman starts the chase, the thief also starts running. If the speed of the thief be 8 km/hr and that of the policeman 10 km/hr, how far the thief will have run before he is overtaken ?

1. 100 m

2. 200 m

3. 400 m

4. 500 m

**Options :**

- 485584136005. 1
- 485584136006. 2
- 485584136007. 3
- 485584136008. 4

**Question Number : 408 Question Id : 48558434003 Question Type : MCQ Option Shuffling : No Is Question Mandatory : No Calculator : None Response Time : N.A Think Time : N.A Minimum Instruction Time : 0**

**Correct Marks : 5 Wrong Marks : 1**

**Question Key Details :**

Key	Value
Comprehension	MCQ

The perimeter of a square and a regular hexagon are equal. The ratio of the area of the hexagon to the area of the square is:

1.  $2\sqrt{3} : 1$

2.  $2 : \sqrt{3}$

3.  $3\sqrt{3} : 2$

4.  $\sqrt{2} : 3$

**Options :**

485584136009. 1

485584136010. 2

485584136011. 3

485584136012. 4

**Question Number : 409 Question Id : 48558434004 Question Type : MCQ Option Shuffling : No Is Question Mandatory : No Calculator : None Response Time : N.A Think Time : N.A Minimum Instruction Time : 0**

**Correct Marks : 5 Wrong Marks : 1**

**Question Key Details :**

Key	Value
Comprehension	MCQ

The radius of the wheel of a vehicle is 35cm. The wheel makes 10 revolutions in 6 seconds. The speed of the vehicle is:

1. 70 km/hr

2. 13.2 km/hr

3. 17.5 km/hr

4. 20 km/hr

**Options :**

485584136013. 1

485584136014. 2

485584136015. 3

485584136016. 4

**Question Number : 410 Question Id : 48558434005 Question Type : MCQ Option Shuffling : No Is Question Mandatory : No Calculator : None Response Time : N.A Think Time : N.A Minimum Instruction Time : 0**

**Correct Marks : 5 Wrong Marks : 1**

**Question Key Details :**

Key	Value
Comprehension	MCQ

A sum of money triples it self in 3 years at compound interest. In how many years will it becomes 9 times

1. 9 years
2. 6 years
3. 12 years
4. 5 years

**Options :**

485584136017. 1  
485584136018. 2  
485584136019. 3  
485584136020. 4

**Question Number : 411 Question Id : 48558434006 Question Type : MCQ Option Shuffling : No Is Question Mandatory : No Calculator : None Response Time : N.A Think Time : N.A Minimum Instruction Time : 0**

**Correct Marks : 5 Wrong Marks : 1**

**Question Key Details :**

Key	Value
Comprehension	MCQ

Aman got 30% of the maximum marks in an examination and failed by 15% marks. However, Anil who took the same examination got 40% of the total marks and got 10 marks more than the passing marks. What were the passing marks in the examination?

1. 85
2. 90
3. 95
4. 100

**Options :**

485584136021. 1  
485584136022. 2  
485584136023. 3  
485584136024. 4

**Question Number : 412 Question Id : 48558434007 Question Type : MCQ Option Shuffling : No Is Question Mandatory : No Calculator : None Response Time : N.A Think Time : N.A Minimum Instruction Time : 0**

**Correct Marks : 5 Wrong Marks : 1**

**Question Key Details :**

Key	Value
Comprehension	MCQ

Akriti buys a smartphone for ₹12,500. If she wants to profit of 30%, how much should she charge for the smartphone?

1. 16000
2. 14375
3. 16250
4. 15400

**Options :**

485584136025. 1  
485584136026. 2  
485584136027. 3  
485584136028. 4

**Question Number : 413 Question Id : 48558434008 Question Type : MCQ Option Shuffling : No Is Question Mandatory : No Calculator : None Response Time : N.A Think Time : N.A Minimum Instruction Time : 0**

**Correct Marks : 5 Wrong Marks : 1**

**Question Key Details :**

Key	Value
Comprehension	MCQ

₹4200 are divided among 'P', 'Q', 'R' and 'S' in such a way that the shares of 'P' and 'Q', 'Q' and 'R' as well 'R' and 'S' are in the ratios of 2:3, 4:5 and 6:7 resp. ectively the share of 'P' is:

1. ₹ 600
2. ₹ 640
3. ₹ 1280
4. ₹ 1480

**Options :**

485584136029. 1  
485584136030. 2  
485584136031. 3  
485584136032. 4

**Question Number : 414 Question Id : 48558434009 Question Type : MCQ Option Shuffling : No Is Question Mandatory : No Calculator : None Response Time : N.A Think Time : N.A Minimum Instruction Time : 0**

**Correct Marks : 5 Wrong Marks : 1**

**Question Key Details :**

Key	Value
Comprehension	MCQ



Work done by A in one day is half of the work done by B in one day. Work done by B is half of the work done by C in one day. If C alone can do the work in 7 days, then in how many days can A, B and C together complete the work?

1. 4
2. 14
3. 21
4. 28

**Options :**

485584136033. 1  
485584136034. 2  
485584136035. 3  
485584136036. 4

**Question Number : 415 Question Id : 48558434010 Question Type : MCQ Option Shuffling : No Is Question Mandatory : No Calculator : None Response Time : N.A Think Time : N.A Minimum Instruction Time : 0**

**Correct Marks : 5 Wrong Marks : 1**

**Question Key Details :**

Key	Value
Comprehension	MCQ

A pair of dice is thrown and sum of the numbers on two tosses is observed. Which of the statements are correct

- A. Probability of getting sum as 11 is  $\frac{1}{18}$
- B. Probability of getting sum as 5 is  $\frac{1}{12}$
- C. Probability of getting sum as 7 is  $\frac{1}{6}$
- D. Probability of getting sum as 6 is  $\frac{1}{9}$

Choose the correct answer from the options given below:

1. A and C Only
2. A and B Only
3. A, C, D Only
4. A and C Only

**Options :**

485584136037. 1  
485584136038. 2  
485584136039. 3  
485584136040. 4

Question Number : 416 Question Id : 48558434011 Question Type : MCQ Option Shuffling : No Is Question Mandatory : No Calculator : None Response Time : N.A Think Time : N.A Minimum Instruction Time : 0

Correct Marks : 5 Wrong Marks : 1

Question Key Details :

Key	Value
Comprehension	MCQ

The value of the sum of 10 term of the series

$$S_{10} = \frac{1}{2^2 - 1} + \frac{1}{4^2 - 1} + \frac{1}{6^2 - 1} + \dots \text{ is}$$

1.  $\frac{11}{21}$

2.  $\frac{9}{10}$

3.  $\frac{21}{10}$

4.  $\frac{10}{21}$

Options :

485584136041. 1

485584136042. 2

485584136043. 3

485584136044. 4

Question Number : 417 Question Id : 48558434012 Question Type : MCQ Option Shuffling : No Is Question Mandatory : No Calculator : None Response Time : N.A Think Time : N.A Minimum Instruction Time : 0

Correct Marks : 5 Wrong Marks : 1

Question Key Details :

Key	Value
Comprehension	MCQ

Diameter of sphere is 28 cm Find out its surface area?

1.  $2464 \text{ cm}^2$

2.  $11498 \text{ cm}^2$

3.  $2490 \text{ cm}^2$

4.  $2260 \text{ cm}^2$

Options :

485584136045. 1

485584136046. 2

485584136047. 3

485584136048. 4

Question Number : 418 Question Id : 48558434013 Question Type : MCQ Option Shuffling : No Is Question Mandatory : No Calculator : None Response Time : N.A Think Time : N.A Minimum Instruction Time : 0

Correct Marks : 5 Wrong Marks : 1

Question Key Details :

Key	Value
Comprehension	MCQ

Which two numbers are both square and cube numbers?

1. 1 and 8
2. 8 and 27
3. 27 and 64
4. 1 and 64

Options :

- 485584136049. 1
- 485584136050. 2
- 485584136051. 3
- 485584136052. 4

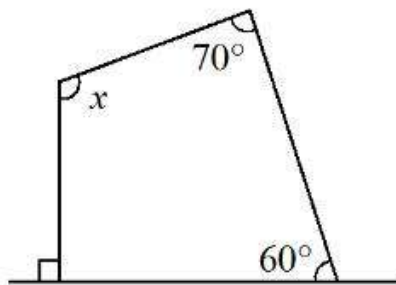
Question Number : 419 Question Id : 48558434014 Question Type : MCQ Option Shuffling : No Is Question Mandatory : No Calculator : None Response Time : N.A Think Time : N.A Minimum Instruction Time : 0

Correct Marks : 5 Wrong Marks : 1

Question Key Details :

Key	Value
Comprehension	MCQ

In the given figure the value of angle 'x' is \_\_\_\_\_



1.  $130^\circ$
2.  $120^\circ$
3.  $140^\circ$
4.  $110^\circ$

Options :

- 485584136053. 1
- 485584136054. 2
- 485584136055. 3

485584136056. 4

**Question Number : 420 Question Id : 48558434015 Question Type : MCQ Option Shuffling : No Is Question Mandatory : No Calculator : None Response Time : N.A Think Time : N.A Minimum Instruction Time : 0**

**Correct Marks : 5 Wrong Marks : 1**

**Question Key Details :**

Key	Value
Comprehension	MCQ

How many words with or without meaning, can be formed by using all the letters of the word "DELHI", using each letter exactly once?

1. 12

2. 50

3. 60

4. 10

**Options :**

485584136057. 1

485584136058. 2

485584136059. 3

485584136060. 4

**Question Number : 421 Question Id : 48558434016 Question Type : MCQ Option Shuffling : No Is Question Mandatory : No Calculator : None Response Time : N.A Think Time : N.A Minimum Instruction Time : 0**

**Correct Marks : 5 Wrong Marks : 1**

**Question Key Details :**

Key	Value
Comprehension	MCQ

If UPKAR is coded as UOQJLAQS, then the code for HONEY will be:

1. HIOMOXZA

2. GIOMEOXY

3. GIOMOEXZ

4. HIOMOEXZ

**Options :**

485584136061. 1

485584136062. 2

485584136063. 3

485584136064. 4

**Question Number : 422 Question Id : 48558434017 Question Type : MCQ Option Shuffling : No Is Question Mandatory : No Calculator : None Response Time : N.A Think Time : N.A Minimum Instruction Time : 0**

**Correct Marks : 5 Wrong Marks : 1**

**Question Key Details :**

Key	Value
-----	-------

Comprehension	MCQ
---------------	-----

STATEMENT: Covid-19 is a pandemic issue now.

ASSUMPTIONS:

- I. Government should work towards complete vaccination of the population.
  - II. Covid-19 upcoming variants are not fatal and should be treated as normal flu.
1. Only Assumption I is implicit
  2. Only Assumption II is implicit
  3. neither Assumption I nor Assumption II is implicit
  4. Both Assumption I and Assumption II are implicit

**Options :**

485584136065. 1
485584136066. 2
485584136067. 3
485584136068. 4

**Question Number : 423 Question Id : 48558434018 Question Type : MCQ Option Shuffling : No Is Question Mandatory : No Calculator : None Response Time : N.A Think Time : N.A Minimum Instruction Time : 0**

**Correct Marks : 5 Wrong Marks : 1**

**Question Key Details :**

Key	Value
Comprehension	MCQ

Mark the correct option based on the statement and conclusion that follows

Statements

- A. All states having Rain Water Harvesting face no water problem.
- B. One of the states has still not applied Rain Water Harvesting policy

Conclusions:

- I. It may be facing water problem
  - II. Rain Water Harvesting solve water problem.
1. Only conclusion I follows
  2. Only conclusion II follows
  3. Both conclusion I and II follows
  4. Neither conclusion I nor II follows

**Options :**

485584136069. 1

485584136070. 2  
485584136071. 3  
485584136072. 4

**Question Number : 424 Question Id : 48558434019 Question Type : MCQ Option Shuffling : No Is Question Mandatory : No Calculator : None Response Time : N.A Think Time : N.A Minimum Instruction Time : 0**

**Correct Marks : 5 Wrong Marks : 1**

**Question Key Details :**

Key	Value
Comprehension	MCQ

Identify the next number from the following series 36,40, 48, 60, 76 ?

1. 94
2. 98
3. 92
4. 96

**Options :**

485584136073. 1  
485584136074. 2  
485584136075. 3  
485584136076. 4

**Question Number : 425 Question Id : 48558434020 Question Type : MCQ Option Shuffling : No Is Question Mandatory : No Calculator : None Response Time : N.A Think Time : N.A Minimum Instruction Time : 0**

**Correct Marks : 5 Wrong Marks : 1**

**Question Key Details :**

Key	Value
Comprehension	MCQ

What will be the measurement of the angle made by the hands at 18 min past 5?

1.  $52^\circ$
2.  $51^\circ$
3.  $50^\circ$
4.  $49^\circ$

**Options :**

485584136077. 1  
485584136078. 2  
485584136079. 3  
485584136080. 4

**Question Number : 426 Question Id : 48558434021 Question Type : MCQ Option Shuffling : No Is Question Mandatory : No Calculator : None Response Time : N.A Think Time : N.A Minimum Instruction Time : 0**

**Correct Marks : 5 Wrong Marks : 1**

**Question Key Details :**

Key	Value
Comprehension	MCQ

Hear is to Deaf as Speak is to

1. Quite
2. Silent
3. Mumb or Mum
4. Dumb

**Options :**

485584136081. 1  
485584136082. 2  
485584136083. 3  
485584136084. 4

**Question Number : 427 Question Id : 48558434022 Question Type : MCQ Option Shuffling : No Is Question Mandatory : No Calculator : None Response Time : N.A Think Time : N.A Minimum Instruction Time : 0**

**Correct Marks : 5 Wrong Marks : 1**

**Question Key Details :**

Key	Value
Comprehension	MCQ

Given below are two statements: one is labelled as Assertion A and the other is labelled as Reason R.

**Assertion A :** The sun rises 2 hours later in Gujrat as compared to Arunachal Pradesh, but watches shows the same time.

**Reason R :** The longitudinal gap between Arunachal Pradesh and Gujrat is about 30 degrees but at the same time India has adopted Indian Standard time which is at 82.5° West.

In the light of the above statements, choose the most appropriate answer from the options given below:

1. Both A and R are correct and R is the correct explanation of A
2. Both A and R are correct but R is NOT the correct explanation of A
3. A is correct but R is not correct
4. A is not correct but R is correct

**Options :**

485584136085. 1  
485584136086. 2  
485584136087. 3  
485584136088. 4

**Question Number : 428 Question Id : 48558434023 Question Type : MCQ Option Shuffling : No Is Question Mandatory : No Calculator : None Response Time : N.A Think Time : N.A Minimum Instruction Time : 0**

**Correct Marks : 5 Wrong Marks : 1**

**Question Key Details :**

Key	Value
Comprehension	MCQ

K is more beautiful than B. B is not as beautiful as Y. J is not beautiful as B or Y. The least beautiful among all is:

1. B
2. Y
3. J
4. K

**Options :**

- 485584136089. 1
- 485584136090. 2
- 485584136091. 3
- 485584136092. 4

**Question Number : 429 Question Id : 48558434024 Question Type : MCQ Option Shuffling : No Is Question Mandatory : No Calculator : None Response Time : N.A Think Time : N.A Minimum Instruction Time : 0**

**Correct Marks : 5 Wrong Marks : 1**

**Question Key Details :**

Key	Value
Comprehension	MCQ

I introduced a lady "she is the mother of the only daughter of my son's father in law. how is she related to me:

- A. She is my sister
- B. She is the mother in law of my son
- C. She is my son's aunt
- D. She is the wife of my son's father in law
- E. She is my mother

Choose the correct answer from the options given below:

1. A, C, D Only
2. B, C, D Only
3. A, D, E Only
4. B, D Only

**Options :**

- 485584136093. 1
- 485584136094. 2
- 485584136095. 3
- 485584136096. 4

**Question Number : 430 Question Id : 48558434025 Question Type : MCQ Option Shuffling : No Is Question Mandatory : No Calculator : None Response Time : N.A Think Time : N.A Minimum Instruction Time : 0**



**Correct Marks : 5 Wrong Marks : 1**

**Question Key Details :**

Key	Value
Comprehension	MCQ

In the statements below study the question asked and decide which of the following statement is/are necessary to answer the question:

Find the present salary of Arvind:

- I. The salary increase every year by 15%
- II. The salary at the time of joining was ₹18,000
- III. He has joined the company exactly 10 years ago.

Which statement(s) are necessary

- 1. I and II only
- 2. II and III only
- 3. I and III only
- 4. all I, II, and III necessary

**Options :**

- 485584136097. 1
- 485584136098. 2
- 485584136099. 3
- 485584136100. 4

**Question Number : 431 Question Id : 48558434026 Question Type : MCQ Option Shuffling : No Is Question Mandatory : No Calculator : None Response Time : N.A Think Time : N.A Minimum Instruction Time : 0**

**Correct Marks : 5 Wrong Marks : 1**

**Question Key Details :**

Key	Value
Comprehension	MCQ

Which does not belong to the others

- 1. Key Board
- 2. Windows
- 3. Hard Drive
- 4. CPU

**Options :**

- 485584136101. 1
- 485584136102. 2
- 485584136103. 3
- 485584136104. 4

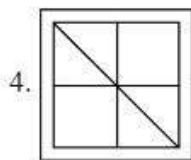
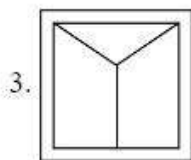
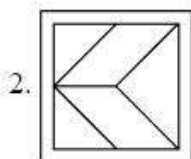
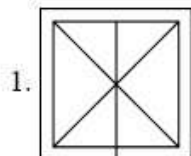
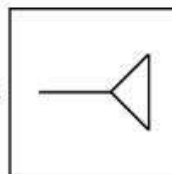
Question Number : 432 Question Id : 48558434027 Question Type : MCQ Option Shuffling : No Is Question Mandatory : No Calculator : None Response Time : N.A Think Time : N.A Minimum Instruction Time : 0

Correct Marks : 5 Wrong Marks : 1

Question Key Details :

Key	Value
Comprehension	MCQ

Find the answer figure in which question figure is imbrted



Options :

485584136105. 1

485584136106. 2

485584136107. 3

485584136108. 4

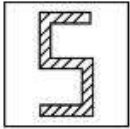
Question Number : 433 Question Id : 48558434028 Question Type : MCQ Option Shuffling : No Is Question Mandatory : No Calculator : None Response Time : N.A Think Time : N.A Minimum Instruction Time : 0

Correct Marks : 5 Wrong Marks : 1

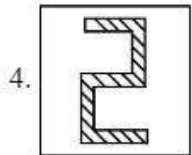
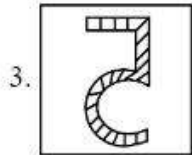
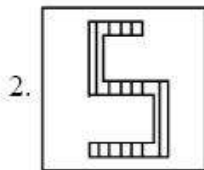
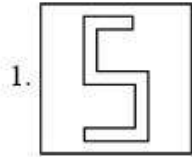
Question Key Details :

Key	Value
Comprehension	MCQ

Choose the correct mirror-image of fig(X) from amongst the four alternatives (1), (2), (3) and (4) given along with it.



(x)



**Options :**

485584136109. 1

485584136110. 2

485584136111. 3

485584136112. 4

**Question Number : 434 Question Id : 48558434029 Question Type : MCQ Option Shuffling : No Is Question Mandatory : No Calculator : None Response Time : N.A Think Time : N.A Minimum Instruction Time : 0**

**Correct Marks : 5 Wrong Marks : 1**

**Question Key Details :**

Key	Value
Comprehension	MCQ

The days before yesterday, it was monday. After 39 days, it will be

1. Wednesday

2. Sunday

3. Friday

4. Saturday

**Options :**

485584136113. 1  
485584136114. 2  
485584136115. 3  
485584136116. 4

**Question Number : 435 Question Id : 48558434030 Question Type : MCQ Option Shuffling : No Is Question Mandatory :  
No Calculator : None Response Time : N.A Think Time : N.A Minimum Instruction Time : 0**

**Correct Marks : 5 Wrong Marks : 1**

**Question Key Details :**

Key	Value
Comprehension	MCQ

Find missing term: P2A, S6D, ?, Y54J

1. F9U
2. V18G
3. V24G
4. V12X

**Options :**

485584136117. 1  
485584136118. 2  
485584136119. 3  
485584136120. 4

**Question Number : 436 Question Id : 48558434031 Question Type : MCQ Option Shuffling : No Is Question Mandatory :  
No Calculator : None Response Time : N.A Think Time : N.A Minimum Instruction Time : 0**

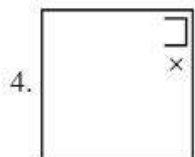
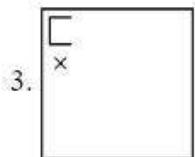
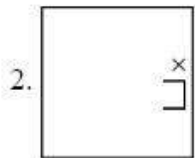
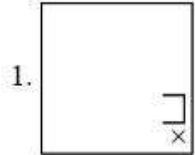
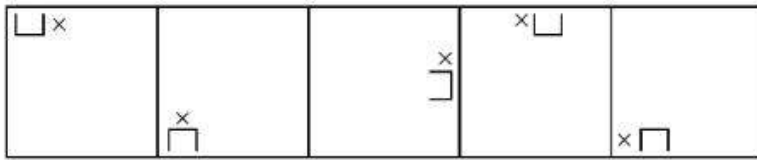
**Correct Marks : 5 Wrong Marks : 1**

**Question Key Details :**

Key	Value
Comprehension	MCQ

Choose the correct option to complete the series.

Problem figures



**Options :**

- 485584136121. 1
- 485584136122. 2
- 485584136123. 3
- 485584136124. 4

**Question Number : 437 Question Id : 48558434032 Question Type : MCQ Option Shuffling : No Is Question Mandatory : No Calculator : None Response Time : N.A Think Time : N.A Minimum Instruction Time : 0**

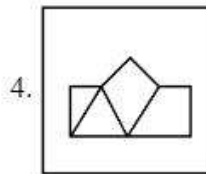
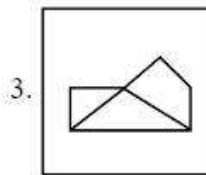
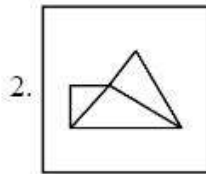
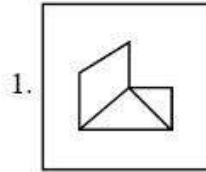
**Correct Marks : 5 Wrong Marks : 1**

**Question Key Details :**

Key	Value
Comprehension	MCQ



Choose the correct option by forming the pieces given in the above figure.



**Options :**

- 485584136125. 1
- 485584136126. 2
- 485584136127. 3
- 485584136128. 4

**Question Number : 438 Question Id : 48558434033 Question Type : MCQ Option Shuffling : No Is Question Mandatory : No Calculator : None Response Time : N.A Think Time : N.A Minimum Instruction Time : 0**

**Correct Marks : 5 Wrong Marks : 1**

**Question Key Details :**

Key	Value
Comprehension	MCQ

Following are the conditions for selection of Director in an Organisation. The candidate must

- I. Be a MBA in Marketing with 1st class securing a minimum of 65% marks
- II. Have an experience of working in related area at least two years after acquiring the desired qualification
- III. Have passed the written test with at least 60% marks.
- IV. Be not less than 40 year and not more than 50 year of age as 2.3.2020

Salman Khan is a MBA from IIM Lucknow, passed out in 2000 with 70% marks. He is working as a marketing head since July 2001. His date of birth is 25th Dec 1975. He has cleared the written test with 60% marks?

Indicate your decision by marking answers to each question as follows:

1. If the candidate is to be selected
2. If the candidate is not to be selected
3. If data is not adequate to take the decision
4. If the case is referred to the chairman

**Options :**

- 485584136129. 1
- 485584136130. 2
- 485584136131. 3
- 485584136132. 4

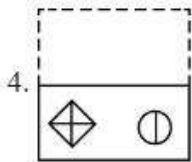
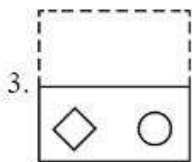
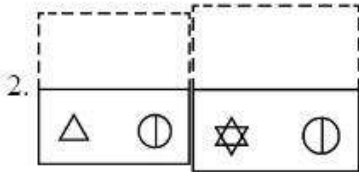
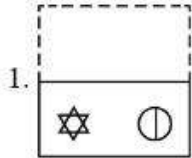
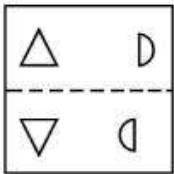
**Question Number : 439 Question Id : 48558434034 Question Type : MCQ Option Shuffling : No Is Question Mandatory : No Calculator : None Response Time : N.A Think Time : N.A Minimum Instruction Time : 0**

**Correct Marks : 5 Wrong Marks : 1**

**Question Key Details :**

Key	Value
Comprehension	MCQ

Find the figure obtained after folding the given figure along the dotted line.



**Options :**

- 485584136133. 1
- 485584136134. 2
- 485584136135. 3
- 485584136136. 4

**Question Number : 440 Question Id : 48558434035 Question Type : MCQ Option Shuffling : No Is Question Mandatory : No Calculator : None Response Time : N.A Think Time : N.A Minimum Instruction Time : 0**

**Correct Marks : 5 Wrong Marks : 1**

**Question Key Details :**

Key	Value
Comprehension	MCQ

If South-East becomes North and North-East becomes West and all the rest directions are changed in the same manner, what will the direction for the South-East?

- 1. West
- 2. North-West
- 3. North
- 4. East

**Options :**



485584136137. 1  
485584136138. 2  
485584136139. 3  
485584136140. 4

**Question Number : 441 Question Id : 48558434036 Question Type : MCQ Option Shuffling : No Is Question Mandatory : No Calculator : None Response Time : N.A Think Time : N.A Minimum Instruction Time : 0**

**Correct Marks : 5 Wrong Marks : 1**

**Question Key Details :**

Key	Value
Comprehension	MCQ

Which among the following dances is not a Martial Dance?

1. Pika
2. Gatka
3. Kathaputli
4. Choliya

**Options :**

485584136141. 1  
485584136142. 2  
485584136143. 3  
485584136144. 4

**Question Number : 442 Question Id : 48558434037 Question Type : MCQ Option Shuffling : No Is Question Mandatory : No Calculator : None Response Time : N.A Think Time : N.A Minimum Instruction Time : 0**

**Correct Marks : 5 Wrong Marks : 1**

**Question Key Details :**

Key	Value
Comprehension	MCQ

Harappan age is

1. 3,500 BC – 2,500 BC
2. 2,500 BC – 1,750 BC
3. 2,000 BC – 1,000 BC
4. 3,500 BC – 1,000 BC

**Options :**

485584136145. 1  
485584136146. 2  
485584136147. 3  
485584136148. 4

**Question Number : 443 Question Id : 48558434038 Question Type : MCQ Option Shuffling : No Is Question Mandatory : No Calculator : None Response Time : N.A Think Time : N.A Minimum Instruction Time : 0**

**Correct Marks : 5 Wrong Marks : 1**

**Question Key Details :**

Key	Value
Comprehension	MCQ

Archaeological site 'Palvai' is situated in

1. Kerala
2. Andhra Pradesh
3. Karnataka
4. Tamil Nadu

**Options :**

485584136149. 1  
485584136150. 2  
485584136151. 3  
485584136152. 4

**Question Number : 444 Question Id : 48558434039 Question Type : MCQ Option Shuffling : No Is Question Mandatory : No Calculator : None Response Time : N.A Think Time : N.A Minimum Instruction Time : 0**

**Correct Marks : 5 Wrong Marks : 1**

**Question Key Details :**

Key	Value
Comprehension	MCQ

There are 4 electric bulb of 50W (each) is used for 5 hour per day. Calculate the energy consumed in the month of January.

1. 31 Kwh
2. 31 Joulr
3.  $3.6 \times 10^6$  J
4.  $31 \times 3.6 \times 10^6$  J Kwh

**Options :**

485584136153. 1  
485584136154. 2  
485584136155. 3  
485584136156. 4

**Question Number : 445 Question Id : 48558434040 Question Type : MCQ Option Shuffling : No Is Question Mandatory : No Calculator : None Response Time : N.A Think Time : N.A Minimum Instruction Time : 0**

**Correct Marks : 5 Wrong Marks : 1**

**Question Key Details :**

Key	Value
Comprehension	MCQ

Which of the following is an example of an Emulsion?

1. Fog
2. Clouds
3. Mist
4. Milk

**Options :**

485584136157. 1  
485584136158. 2  
485584136159. 3  
485584136160. 4

**Question Number : 446 Question Id : 48558434041 Question Type : MCQ Option Shuffling : No Is Question Mandatory : No Calculator : None Response Time : N.A Think Time : N.A Minimum Instruction Time : 0**

**Correct Marks : 5 Wrong Marks : 1**

**Question Key Details :**

Key	Value
Comprehension	MCQ

Which statements are true about Phylum Arthropoda?

- A. Body is divided into one part.
- B. Body is divided into two parts.
- C. Body is divided into three parts.
- D. Joinedleg
- E. Circulatory system is of close type.

Choose the correct answer from the options given below:

1. A and B only
2. B and C only
3. D and E only
4. C and D only

**Options :**

485584136161. 1  
485584136162. 2  
485584136163. 3  
485584136164. 4

**Question Number : 447 Question Id : 48558434042 Question Type : MCQ Option Shuffling : No Is Question Mandatory : No Calculator : None Response Time : N.A Think Time : N.A Minimum Instruction Time : 0**

**Correct Marks : 5 Wrong Marks : 1**

**Question Key Details :**

Key	Value
Comprehension	MCQ

Who was invented Universal Serial Bus (USB)?

1. Ajay Sood
2. Ajay Bhatt
3. M.S. Swaminathan
4. Gagan B. Mohanthy

**Options :**

485584136165. 1  
485584136166. 2  
485584136167. 3  
485584136168. 4

**Question Number : 448 Question Id : 48558434043 Question Type : MCQ Option Shuffling : No Is Question Mandatory : No Calculator : None Response Time : N.A Think Time : N.A Minimum Instruction Time : 0**

**Correct Marks : 5 Wrong Marks : 1**

**Question Key Details :**

Key	Value
Comprehension	MCQ

Where was Commonwealth Games 2022 held?

1. London
2. Canberra
3. Brimingham
4. Manchester

**Options :**

485584136169. 1  
485584136170. 2  
485584136171. 3  
485584136172. 4

**Question Number : 449 Question Id : 48558434044 Question Type : MCQ Option Shuffling : No Is Question Mandatory : No Calculator : None Response Time : N.A Think Time : N.A Minimum Instruction Time : 0**

**Correct Marks : 5 Wrong Marks : 1**

**Question Key Details :**

Key	Value
Comprehension	MCQ

Which states women's U-18 team won the Khelo India Youth Games 2022?

1. Kerala
2. Punjab
3. Tamil Nadu
4. Haryana

**Options :**

485584136173. 1  
485584136174. 2  
485584136175. 3  
485584136176. 4

**Question Number : 450 Question Id : 48558434045 Question Type : MCQ Option Shuffling : No Is Question Mandatory : No Calculator : None Response Time : N.A Think Time : N.A Minimum Instruction Time : 0**

**Correct Marks : 5 Wrong Marks : 1**

**Question Key Details :**

Key	Value
Comprehension	MCQ

India has been building the sea-port of Chabahar port for which of these West Asian country:

1. Iraq
2. Iran
3. UAE
4. Oman

**Options :**

485584136177. 1  
485584136178. 2  
485584136179. 3  
485584136180. 4

**Question Number : 451 Question Id : 48558434046 Question Type : MCQ Option Shuffling : No Is Question Mandatory : No Calculator : None Response Time : N.A Think Time : N.A Minimum Instruction Time : 0**

**Correct Marks : 5 Wrong Marks : 1**

**Question Key Details :**

Key	Value
Comprehension	MCQ

Recently, whom of Indian origin has become the new prime minister of Britain?

1. Dilip Boland
2. Rajesh David
3. Rishi Sunak
4. Aman Panda

**Options :**

485584136181. 1  
485584136182. 2  
485584136183. 3  
485584136184. 4

**Question Number : 452 Question Id : 48558434047 Question Type : MCQ Option Shuffling : No Is Question Mandatory : No Calculator : None Response Time : N.A Think Time : N.A Minimum Instruction Time : 0**

**Correct Marks : 5 Wrong Marks : 1**

**Question Key Details :**

Key	Value
Comprehension	MCQ

Which team has won the 2022 Women's Pan American Cup Field Hockey Tournament?

1. Netherland
2. Argentina
3. South Korea
4. Malaysia

**Options :**

485584136185. 1  
485584136186. 2  
485584136187. 3  
485584136188. 4

**Question Number : 453 Question Id : 48558434048 Question Type : MCQ Option Shuffling : No Is Question Mandatory : No Calculator : None Response Time : N.A Think Time : N.A Minimum Instruction Time : 0**

**Correct Marks : 5 Wrong Marks : 1**

**Question Key Details :**

Key	Value
Comprehension	MCQ

Name the longest river of the world?

1. Nile
2. Ganga
3. Amazon
4. Yangtze river

**Options :**

- 485584136189. 1
- 485584136190. 2
- 485584136191. 3
- 485584136192. 4

**Question Number : 454 Question Id : 48558434049 Question Type : MCQ Option Shuffling : No Is Question Mandatory : No Calculator : None Response Time : N.A Think Time : N.A Minimum Instruction Time : 0**

**Correct Marks : 5 Wrong Marks : 1**

**Question Key Details :**

Key	Value
Comprehension	MCQ

Which is the highest Peak of the Pennisulan Plateau of India?

1. Dodda betha
2. Mullayanagiri
3. Agasthyamala
4. Anamudi

**Options :**

- 485584136193. 1
- 485584136194. 2
- 485584136195. 3
- 485584136196. 4

**Question Number : 455 Question Id : 48558434050 Question Type : MCQ Option Shuffling : No Is Question Mandatory : No Calculator : None Response Time : N.A Think Time : N.A Minimum Instruction Time : 0**

**Correct Marks : 5 Wrong Marks : 1**

**Question Key Details :**

Key	Value
Comprehension	MCQ

On which date is the shortest day of the year in the northern Hemisphere?

1. 22 June
2. 21 June
3. 22 December
4. 26 December

**Options :**

485584136197. 1  
485584136198. 2  
485584136199. 3  
485584136200. 4

**Question Number : 456 Question Id : 48558434051 Question Type : MCQ Option Shuffling : No Is Question Mandatory : No Calculator : None Response Time : N.A Think Time : N.A Minimum Instruction Time : 0**

**Correct Marks : 5 Wrong Marks : 1**

**Question Key Details :**

Key	Value
Comprehension	MCQ

Criminal Identification Bill has been passed by President in April 2022. The Bill (or Act)

- A. Empowers police to obtain physical and biological samples of convicts and those accused of crimes.
- B. Empowers police to order measurement of photographs of a person to aid the investigation of offence.
- C. Explains the data to be collected.
- D. Provides the data to be stored in a Central database.

Choose the correct answer from the options given below:

1. C, A and B only
2. A, C and D only
3. B, A and D only
4. A, B and D only

**Options :**

485584136201. 1  
485584136202. 2  
485584136203. 3  
485584136204. 4

**Question Number : 457 Question Id : 48558434052 Question Type : MCQ Option Shuffling : No Is Question Mandatory : No Calculator : None Response Time : N.A Think Time : N.A Minimum Instruction Time : 0**

**Correct Marks : 5 Wrong Marks : 1**

**Question Key Details :**

Key	Value
Comprehension	MCQ



What growth rate The Economic Survey 2021-22 had projected for the financial year ending March 2023?

1. 8.5-9%
2. 8-8.5%
3. 10-11%
4. 7-7.5%

**Options :**

485584136205. 1  
485584136206. 2  
485584136207. 3  
485584136208. 4

**Question Number : 458 Question Id : 48558434053 Question Type : MCQ Option Shuffling : No Is Question Mandatory : No Calculator : None Response Time : N.A Think Time : N.A Minimum Instruction Time : 0**

**Correct Marks : 5 Wrong Marks : 1**

**Question Key Details :**

Key	Value
Comprehension	MCQ

Which English writer has been awarded the Tata Literature Lifetime Achievement Award?

1. Arundhati Roy
2. Vikram Seth
3. Ruskin Bond
4. Prof. Shorad Pagadey

**Options :**

485584136209. 1  
485584136210. 2  
485584136211. 3  
485584136212. 4

**Question Number : 459 Question Id : 48558434054 Question Type : MCQ Option Shuffling : No Is Question Mandatory : No Calculator : None Response Time : N.A Think Time : N.A Minimum Instruction Time : 0**

**Correct Marks : 5 Wrong Marks : 1**

**Question Key Details :**

Key	Value
Comprehension	MCQ

Match List I with List II

LIST I Satellite		LIST II Launch Date	
A.	Aryabhata	I.	2008
B.	Mangalyaan	II.	1975
C.	Chandrayaan - I	III.	2017
D.	IRNAA-1H Mission	IV.	2013

Choose the correct answer from the options given below:

1. A-II, B-IV, C-I, D-III
2. A-I, B-II, C-III, D-IV
3. A-IV, B-III, C-II, D-I
4. A-IV, B-II, C-III, D-I

**Options :**

485584136213. 1  
485584136214. 2  
485584136215. 3  
485584136216. 4

**Question Number : 460 Question Id : 48558434055 Question Type : MCQ Option Shuffling : No Is Question Mandatory : No Calculator : None Response Time : N.A Think Time : N.A Minimum Instruction Time : 0**

**Correct Marks : 5 Wrong Marks : 1**

**Question Key Details :**

Key	Value
Comprehension	MCQ

Formal source of credit for an individual does not include:

1. Cooperatives
2. Banks
3. MUDRA Bank
4. RBI

**Options :**

485584136217. 1  
485584136218. 2  
485584136219. 3  
485584136220. 4