

Engineering Graphics

Section Id :	48558481
Section Number :	1
Section type :	Online
Mandatory or Optional :	Mandatory
Number of Questions :	50
Number of Questions to be attempted :	40
Section Marks :	200
Enable Mark as Answered Mark for Review and Clear Response :	Yes
Maximum Instruction Time :	0
Sub-Section Number :	1
Sub-Section Id :	485584232
Question Shuffling Allowed :	Yes
Is Section Default? :	null

Question Number : 536 Question Id : 485584636 Question Type : MCQ Option Shuffling : No Is Question Mandatory : No Calculator : None Response Time : N.A Think Time : N.A Minimum Instruction Time : 0

Correct Marks : 5 Wrong Marks : 1

Question Key Details :

Key	Value
Comprehension	MCQ

The enlarged scale is represented by _____.

1. 1:30
2. 9:11
3. 1:100
4. 100:1

Options :

4855842541. 1
4855842542. 2
4855842543. 3
4855842544. 4

Question Number : 536 Question Id : 485584636 Question Type : MCQ Option Shuffling : No Is Question Mandatory : No Calculator : None Response Time : N.A Think Time : N.A Minimum Instruction Time : 0

Correct Marks : 5 Wrong Marks : 1

Question Key Details :

Key	Value
Comprehension	MCQ

बड़े माप का पैमाना _____ के द्वारा निरूपित किया जाता है।

1. 1:30
2. 9:11
3. 1:100
4. 100:1

Options :

4855842541. 1
4855842542. 2
4855842543. 3

**Question Number : 537 Question Id : 485584637 Question Type : MCQ Option Shuffling : No Is
Question Mandatory : No Calculator : None Response Time : N.A Think Time : N.A Minimum
Instruction Time : 0**

Correct Marks : 5 Wrong Marks : 1

Question Key Details :

Key	Value
Comprehension	MCQ

_____ is not an Axonometric Projection.

1. Dimetric Projection
2. Isometric Projection
3. Perspective Projection
4. Trimetric Projection

Options :

4855842545. 1

4855842546. 2

4855842547. 3

4855842548. 4

**Question Number : 537 Question Id : 485584637 Question Type : MCQ Option Shuffling : No Is
Question Mandatory : No Calculator : None Response Time : N.A Think Time : N.A Minimum
Instruction Time : 0**

Correct Marks : 5 Wrong Marks : 1

Question Key Details :

Key	Value
Comprehension	MCQ

_____ एक अक्षमिति प्रक्षेपन नहीं है।

1. चतुष्कोण प्रक्षेपन
2. समपरिमाण प्रक्षेपन
3. परिप्रेक्ष्य प्रक्षेपन
4. त्रिपदीय प्रक्षेपन

Options :

4855842545. 1
4855842546. 2
4855842547. 3
4855842548. 4

Question Number : 538 Question Id : 485584638 Question Type : MCQ Option Shuffling : No Is Question Mandatory : No Calculator : None Response Time : N.A Think Time : N.A Minimum Instruction Time : 0

Correct Marks : 5 Wrong Marks : 1

Question Key Details :

Key	Value
Comprehension	MCQ

A triangular pyramid has _____.

1. four triangles
2. three triangles
3. four rectangles
4. three rectangles

Options :

4855842549. 1
4855842550. 2
4855842551. 3

4855842552. 4

Question Number : 538 Question Id : 485584638 Question Type : MCQ Option Shuffling : No Is Question Mandatory : No Calculator : None Response Time : N.A Think Time : N.A Minimum Instruction Time : 0

Correct Marks : 5 Wrong Marks : 1

Question Key Details :

Key	Value
Comprehension	MCQ

एक त्रिभुजाकर पिरैमिड में _____ ।

1. चार त्रिभुज होते हैं
2. तीन त्रिभुज होते हैं
3. चार आयत होती हैं
4. तीन आयत होती हैं

Options :

4855842549. 1

4855842550. 2

4855842551. 3

4855842552. 4

Question Number : 539 Question Id : 485584639 Question Type : MCQ Option Shuffling : No Is Question Mandatory : No Calculator : None Response Time : N.A Think Time : N.A Minimum Instruction Time : 0

Correct Marks : 5 Wrong Marks : 1

Question Key Details :

Key	Value
Comprehension	MCQ

A student draws an isometric projection of a ball of diameter of 80 mm. It's diameter in isometric projection will be _____.

1. 80 mm
2. 64 mm
3. 120 mm
4. 40 mm

Options :

4855842553. 1
4855842554. 2
4855842555. 3
4855842556. 4

Question Number : 539 Question Id : 485584639 Question Type : MCQ Option Shuffling : No Is Question Mandatory : No Calculator : None Response Time : N.A Think Time : N.A Minimum Instruction Time : 0

Correct Marks : 5 Wrong Marks : 1

Question Key Details :

Key	Value
Comprehension	MCQ

एक छात्र ने एक 80 मि० मी० व्यास वाली गेंद का समपरिमाणीय प्रक्षेपन बनाया। समपरिमाणीय प्रक्षेपन में इसका व्यास _____ होगा।

1. 80 मि० मी०
2. 64 मि० मी०
3. 120 मि० मी०
4. 40 मि० मी०

Options :

4855842553. 1
4855842554. 2

4855842555. 3

4855842556. 4

Question Number : 540 Question Id : 485584640 Question Type : MCQ Option Shuffling : No Is Question Mandatory : No Calculator : None Response Time : N.A Think Time : N.A Minimum Instruction Time : 0

Correct Marks : 5 Wrong Marks : 1

Question Key Details :

Key	Value
Comprehension	MCQ

The two angles which are used to draw the isometric scale are _____.

1. 100° , 200°

2. 45° , 90°

3. 30° , 45°

4. 30° , 120°

Options :

4855842557. 1

4855842558. 2

4855842559. 3

4855842560. 4

Question Number : 540 Question Id : 485584640 Question Type : MCQ Option Shuffling : No Is Question Mandatory : No Calculator : None Response Time : N.A Think Time : N.A Minimum Instruction Time : 0

Correct Marks : 5 Wrong Marks : 1

Question Key Details :

Key	Value
Comprehension	MCQ

वे दो कोण जो किसी समपरिमाणीय पैमाने की रचना के लिए प्रयोग होते हैं। वे _____ हैं।

1. 100° , 200°

2. 45° , 90°

3. 30° , 45°

4. 30° , 120°

Options :

4855842557. 1

4855842558. 2

4855842559. 3

4855842560. 4

Question Number : 541 Question Id : 485584641 Question Type : MCQ Option Shuffling : No Is

Question Mandatory : No Calculator : None Response Time : N.A Think Time : N.A Minimum

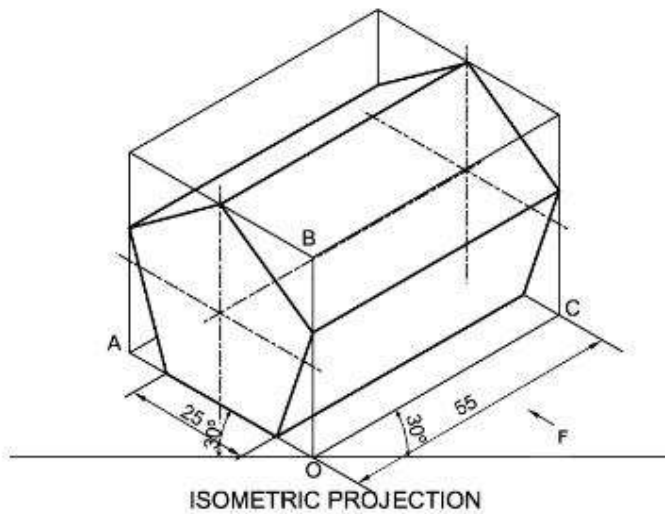
Instruction Time : 0

Correct Marks : 5 Wrong Marks : 1

Question Key Details :

Key	Value
Comprehension	MCQ

Choose the **correct** statement for the axis of the given figure:



1. Perpendicular to both H.P. and V.P.
2. Parallel to both H.P. and V.P.
3. Parallel to H.P. and perpendicular to V.P.
4. Perpendicular to H.P. and parallel to V.P.

Options :

4855842561. 1

4855842562. 2

4855842563. 3

4855842564. 4

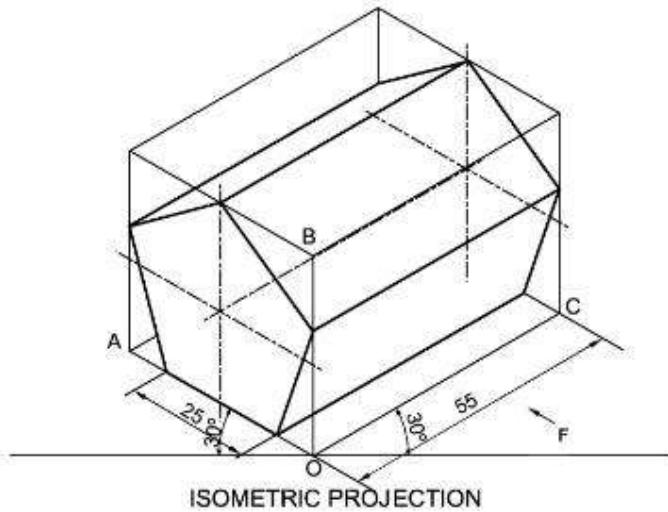
Question Number : 541 Question Id : 485584641 Question Type : MCQ Option Shuffling : No Is Question Mandatory : No Calculator : None Response Time : N.A Think Time : N.A Minimum Instruction Time : 0

Correct Marks : 5 Wrong Marks : 1

Question Key Details :

Key	Value
Comprehension	MCQ

दिए गए चित्र के अक्ष के लिए सही कथन का चयन कीजिए:



1. एच.पी. और वी.पी. दोनों के लंबवत
2. एच.पी. और वी.पी. दोनों के समानांतर
3. एच.पी. के समानांतर और वी.पी. के लम्बवत
4. एच.पी. के लंबवत और वी.पी. के समानांतर

Options :

4855842561. 1

4855842562. 2

4855842563. 3

4855842564. 4

Question Number : 542 Question Id : 485584642 Question Type : MCQ Option Shuffling : No Is

Question Mandatory : No Calculator : None Response Time : N.A Think Time : N.A Minimum

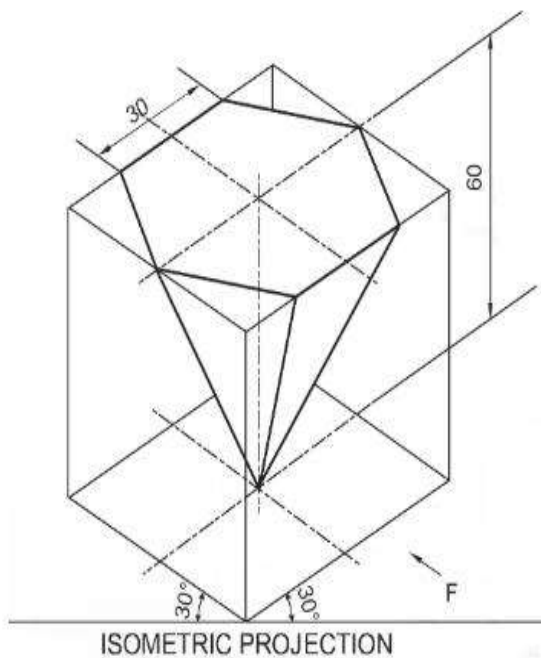
Instruction Time : 0

Correct Marks : 5 Wrong Marks : 1

Question Key Details :

Key	Value
Comprehension	MCQ

Choose the **correct** statement, based on the given figure:



1. A hexagonal prism is resting on its base on H.P.
2. A hexagonal pyramid is resting on its base on H.P.
3. An inverted hexagonal pyramid is resting on H.P. keeping its axis perpendicular to V.P.
4. An inverted hexagonal pyramid is resting on H.P. keeping its axis perpendicular to H.P.

Options :

- 4855842565. 1
- 4855842566. 2
- 4855842567. 3
- 4855842568. 4

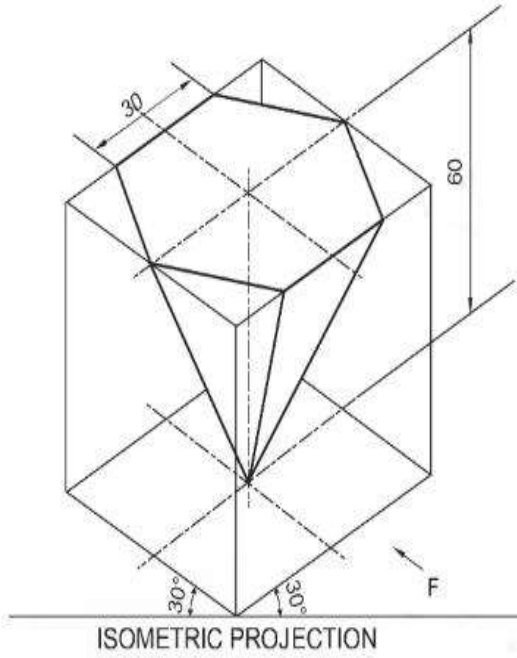
Question Number : 542 Question Id : 485584642 Question Type : MCQ Option Shuffling : No Is Question Mandatory : No Calculator : None Response Time : N.A Think Time : N.A Minimum Instruction Time : 0

Correct Marks : 5 Wrong Marks : 1

Question Key Details :

Key	Value
Comprehension	MCQ

चित्र पर आधारित सही कथन का चयन कीजिए:



1. एक षट्भुजाकार प्रिज्म एच.पी. पर अपने आधार पर रखा है।
2. एक षट्भुजाकार पिरैमिड एच.पी. पर अपने आधार पर रखा है।
3. एक उल्टा षट्भुजाकार पिरैमिड अपने अक्ष को वी.पी. पर लंबवत रखते हुए एच.पी. पर रखा हुआ है।
4. एक उल्टा षट्भुजाकार पिरैमिड अपने अक्ष पर एच.पी. पर लंबवत होते हुए एच.पी. पर रखा हुआ है।

Options :

4855842565. 1

4855842566. 2

4855842567. 3

4855842568. 4

Question Number : 543 Question Id : 485584643 Question Type : MCQ Option Shuffling : No Is

Question Mandatory : No Calculator : None Response Time : N.A Think Time : N.A Minimum

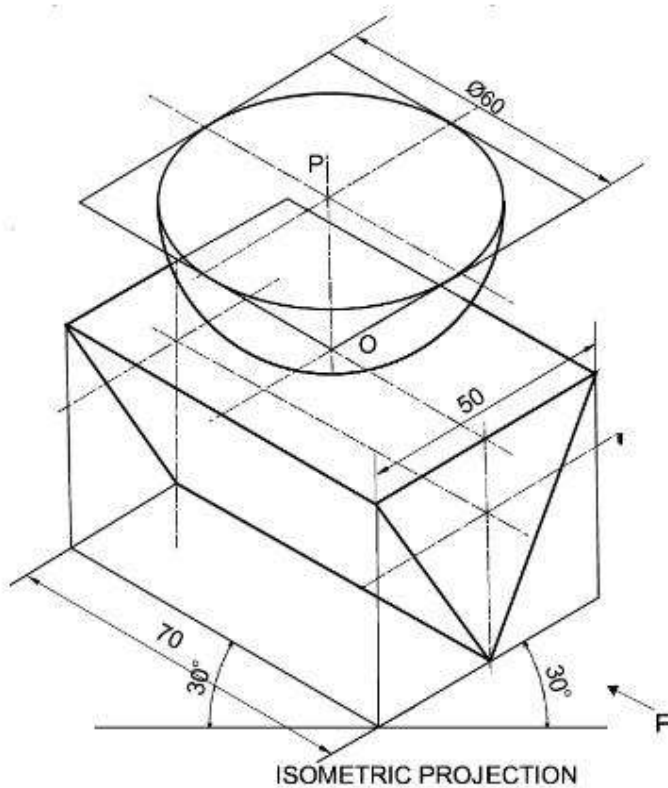
Instruction Time : 0

Correct Marks : 5 Wrong Marks : 1

Question Key Details :

Key	Value
Comprehension	MCQ

Choose the **correct** statement based on the given figure:



1. Sphere is resting on a pyramid.
2. Triangular prism is resting on its long edge on H.P.
3. Axes of both the solids are vertical.
4. Axis of the prism is parallel to both H.P. and V.P.

Options :

4855842569. 1

4855842570. 2

4855842571. 3

4855842572. 4

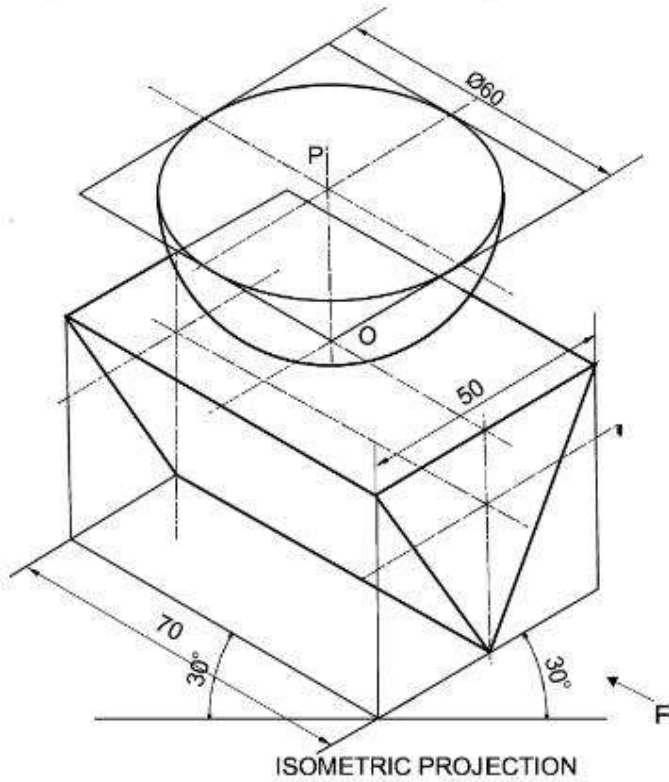
Question Number : 543 Question Id : 485584643 Question Type : MCQ Option Shuffling : No Is Question Mandatory : No Calculator : None Response Time : N.A Think Time : N.A Minimum Instruction Time : 0

Correct Marks : 5 Wrong Marks : 1

Question Key Details :

Key	Value
-----	-------

चित्र पर आधारित सही कथन का चयन कीजिए:



1. गोला पिरैमिड पर रखा हुआ है।
2. त्रिभुजाकार प्रिज्म एच.पी. पर अपने लम्बे किनारे पर रखा है।
3. दोनों ठोस आकृतियों के अक्ष ऊर्ध्वाधर हैं।
4. प्रिज्म का अक्ष एच.पी. और वी.पी. दोनों के समानांतर है।

Options :

4855842569. 1

4855842570. 2

4855842571. 3

4855842572. 4

Question Number : 544 Question Id : 485584644 Question Type : MCQ Option Shuffling : No Is

Question Mandatory : No Calculator : None Response Time : N.A Think Time : N.A Minimum

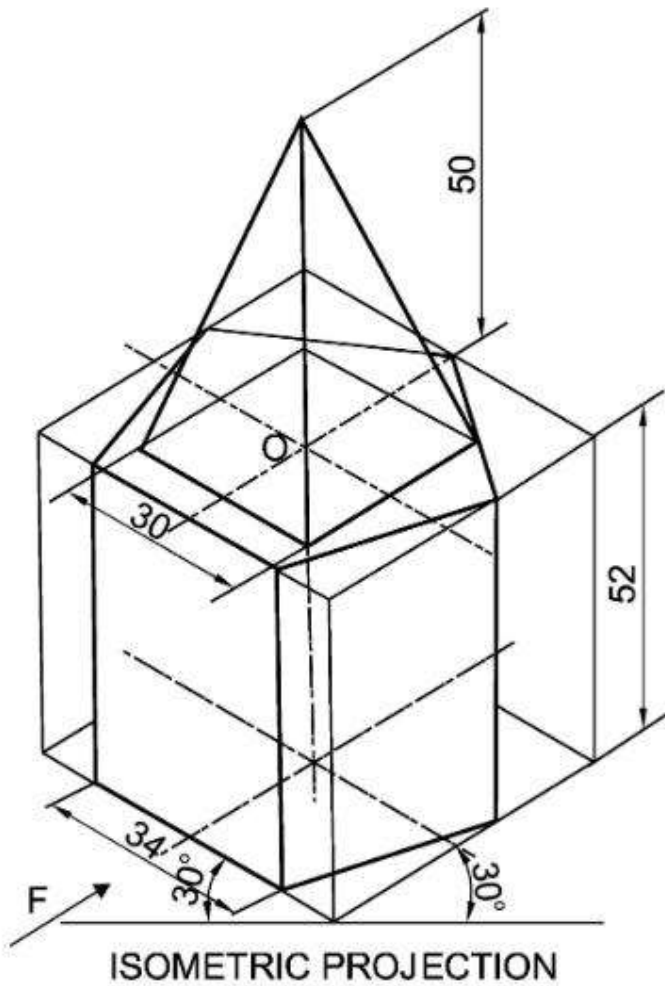
Instruction Time : 0

Correct Marks : 5 Wrong Marks : 1

Question Key Details :

Key	Value
Comprehension	MCQ

Choose the **correct** statement based on the given figure:



1. Axis of pyramid is perpendicular to H.P.
2. Axis of prism is perpendicular to V.P.
3. Axis of pyramid is perpendicular to V.P.
4. Axis of prism is parallel to H.P.

Options :

- 4855842573. 1
- 4855842574. 2
- 4855842575. 3
- 4855842576. 4

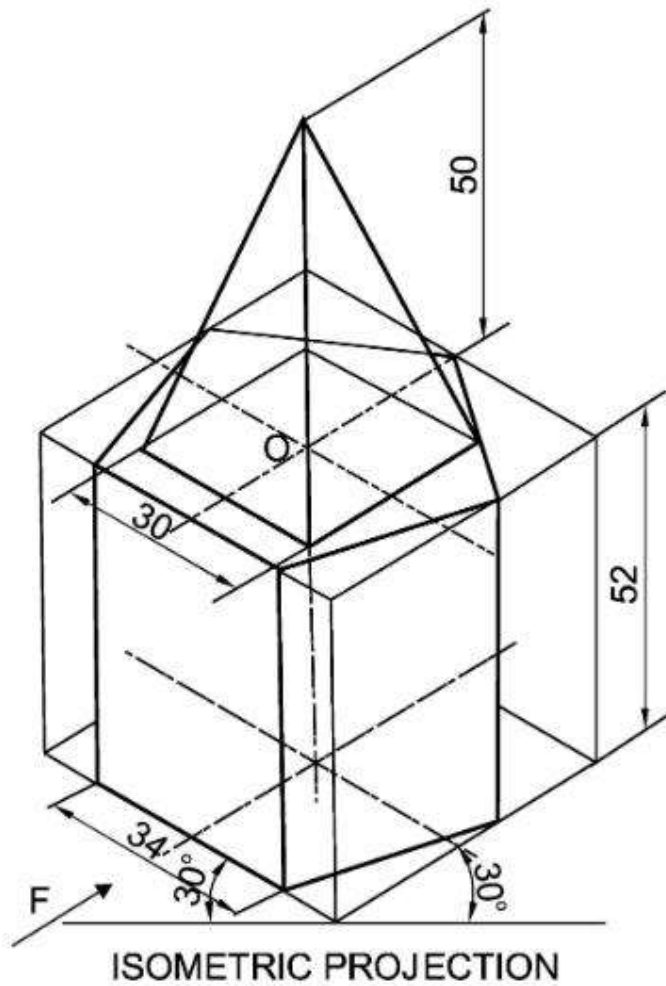
Question Number : 544 Question Id : 485584644 Question Type : MCQ Option Shuffling : No Is Question Mandatory : No Calculator : None Response Time : N.A Think Time : N.A Minimum Instruction Time : 0

Correct Marks : 5 Wrong Marks : 1

Question Key Details :

Key	Value
Comprehension	MCQ

चित्र पर आधारित सही कथन का चयन कीजिए:



1. पिरैमिड का अक्ष एच.पी. पर लंबवत है।
2. प्रिज्म का अक्ष वी.पी. पर लंबवत है।
3. पिरैमिड का अक्ष वी.पी. पर लंबवत है।
4. प्रिज्म का अक्ष एच.पी. के समानांतर है।

Options :

4855842573. 1

4855842574. 2

4855842575. 3

4855842576. 4

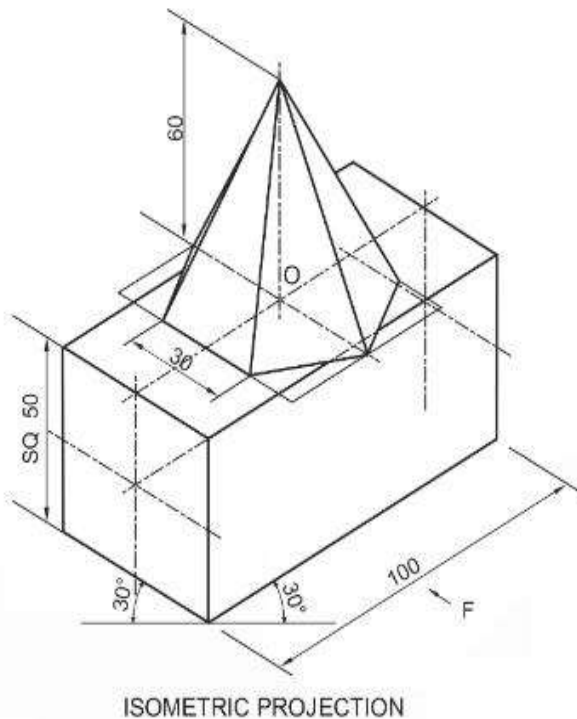
Question Number : 545 Question Id : 485584645 Question Type : MCQ Option Shuffling : No Is Question Mandatory : No Calculator : None Response Time : N.A Think Time : N.A Minimum Instruction Time : 0

Correct Marks : 5 Wrong Marks : 1

Question Key Details :

Key	Value
Comprehension	MCQ

Choose the **correct** statement for the given figure:



1. A pentagonal pyramid is resting on its base on a square prism.
2. Two square faces of the prism are parallel to H.P.
3. Two rectangular faces of a square prism are parallel to V.P.
4. A hexagonal pyramid is resting on its apex on the rectangular face of a prism.

Options :

4855842577. 1

4855842578. 2

4855842579. 3

4855842580. 4

Question Number : 545 Question Id : 485584645 Question Type : MCQ Option Shuffling : No Is

Question Mandatory : No Calculator : None Response Time : N.A Think Time : N.A Minimum

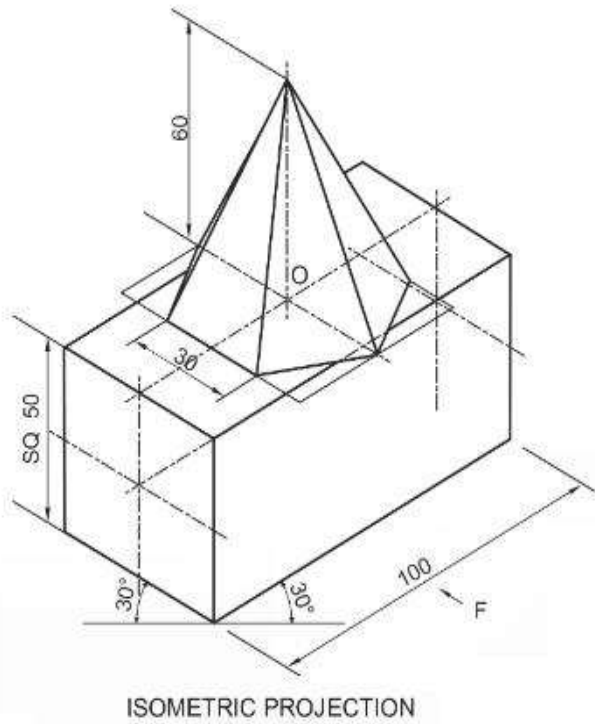
Instruction Time : 0

Correct Marks : 5 Wrong Marks : 1

Question Key Details :

Key	Value
Comprehension	MCQ

चित्र पर आधारित सही कथन का चयन कीजिए:



1. एक पंचभुजाकार पिरैमिड वर्गाकार प्रिज्म पर अपने आधार पर रखा है।
2. प्रिज्म के दो वर्गाकार फलक एच.पी. के समानांतर हैं।
3. वर्गाकार प्रिज्म के दो आयताकार फलक वी.पी. के समानांतर हैं।
4. एक षट्भुजाकार पिरैमिड अपने शीर्ष पर प्रिज्म के आयताकार फलक पर रखा है।

Options :

4855842577. 1

4855842578. 2

4855842579. 3

4855842580. 4

Question Number : 546 Question Id : 485584646 Question Type : MCQ Option Shuffling : No Is

Question Mandatory : No Calculator : None Response Time : N.A Think Time : N.A Minimum

Instruction Time : 0

Correct Marks : 5 Wrong Marks : 1

Question Key Details :

Key	Value
-----	-------

It is the distance moved by a nut on the bolt in axial direction in one complete rotation.

1. Root
2. Flank
3. Crest
4. Lead

Options :

4855842581. 1
4855842582. 2
4855842583. 3
4855842584. 4

Question Number : 546 Question Id : 485584646 Question Type : MCQ Option Shuffling : No Is Question Mandatory : No Calculator : None Response Time : N.A Think Time : N.A Minimum Instruction Time : 0

Correct Marks : 5 Wrong Marks : 1

Question Key Details :

Key	Value
Comprehension	MCQ

यह नट द्वारा बोल्ट की अक्षीय दिशा में पूर्ण घूर्णन करने पर चली गई दूरी है।

1. रूट
2. फ्लैंक
3. क्रेस्ट
4. लीड

Options :

4855842581. 1
4855842582. 2

4855842583. 3

4855842584. 4

Question Number : 547 Question Id : 485584647 Question Type : MCQ Option Shuffling : No Is Question Mandatory : No Calculator : None Response Time : N.A Think Time : N.A Minimum Instruction Time : 0

Correct Marks : 5 Wrong Marks : 1

Question Key Details :

Key	Value
Comprehension	MCQ

In the standard profile of a B.S.W. thread, the value of Actual depth 'd' is _____ . (where P = Pitch)

1. $d = 0.96P$

2. $d = 0.64P$

3. $d = 0.54P$

4. $d = 0.86P$

Options :

4855842585. 1

4855842586. 2

4855842587. 3

4855842588. 4

Question Number : 547 Question Id : 485584647 Question Type : MCQ Option Shuffling : No Is Question Mandatory : No Calculator : None Response Time : N.A Think Time : N.A Minimum Instruction Time : 0

Correct Marks : 5 Wrong Marks : 1

Question Key Details :

Key	Value
Comprehension	MCQ

बी.एस.डब्ल्यू. चूड़ी के मानक प्रोफाइल में वास्तविक गहराई 'd' का मान _____ है। (P = पिच)

1. $d = 0.96P$

2. $d = 0.64P$

3. $d = 0.54P$

4. $d = 0.86P$

Options :

4855842585. 1

4855842586. 2

4855842587. 3

4855842588. 4

Question Number : 548 Question Id : 485584648 Question Type : MCQ Option Shuffling : No Is

Question Mandatory : No Calculator : None Response Time : N.A Think Time : N.A Minimum

Instruction Time : 0

Correct Marks : 5 Wrong Marks : 1

Question Key Details :

Key	Value
Comprehension	MCQ

Square thread profile has thread angle equal to _____.

1. 60°

2. 55°

3. 45°

4. 90°

Options :

4855842589. 1

4855842590. 2

4855842591. 3

4855842592. 4

Question Number : 548 Question Id : 485584648 Question Type : MCQ Option Shuffling : No Is Question Mandatory : No Calculator : None Response Time : N.A Think Time : N.A Minimum Instruction Time : 0

Correct Marks : 5 Wrong Marks : 1

Question Key Details :

Key	Value
Comprehension	MCQ

वर्गाकार चूड़ी प्रोफाइल का चूड़ी कोण _____ है।

1. 60°

2. 55°

3. 45°

4. 90°

Options :

4855842589. 1

4855842590. 2

4855842591. 3

4855842592. 4

Question Number : 549 Question Id : 485584649 Question Type : MCQ Option Shuffling : No Is Question Mandatory : No Calculator : None Response Time : N.A Think Time : N.A Minimum Instruction Time : 0

Correct Marks : 5 Wrong Marks : 1

Question Key Details :

Key	Value
Comprehension	MCQ

If "d" is the nominal diameter of a bolt, then its threaded length will be _____.

1. $2d + 6$
2. d
3. $1.5d + 3$
4. $0.8 d$

Options :

4855842593. 1
4855842594. 2
4855842595. 3
4855842596. 4

Question Number : 549 Question Id : 485584649 Question Type : MCQ Option Shuffling : No Is Question Mandatory : No Calculator : None Response Time : N.A Think Time : N.A Minimum Instruction Time : 0

Correct Marks : 5 Wrong Marks : 1

Question Key Details :

Key	Value
Comprehension	MCQ

यदि किसी बोल्ट का नॉमिनल व्यास 'd' है तो उसकी चूड़ी की लंबाई _____ होगी।

1. $2d + 6$
2. d
3. $1.5d + 3$
4. $0.8 d$

Options :

4855842593. 1
4855842594. 2
4855842595. 3

4855842596. 4

Question Number : 550 Question Id : 485584650 Question Type : MCQ Option Shuffling : No Is Question Mandatory : No Calculator : None Response Time : N.A Think Time : N.A Minimum Instruction Time : 0

Correct Marks : 5 Wrong Marks : 1

Question Key Details :

Key	Value
Comprehension	MCQ

In the top view of a vertically placed Square nut, the threads are shown by drawing _____.

1. two thick circles
2. one thick circle, one thin broken / incomplete circle
3. one thin circle, one thick broken / incomplete circle
4. two thin circles

Options :

4855842597. 1

4855842598. 2

4855842599. 3

4855842600. 4

Question Number : 550 Question Id : 485584650 Question Type : MCQ Option Shuffling : No Is Question Mandatory : No Calculator : None Response Time : N.A Think Time : N.A Minimum Instruction Time : 0

Correct Marks : 5 Wrong Marks : 1

Question Key Details :

Key	Value
Comprehension	MCQ

किसी ऊर्ध्वधर वर्गाकार नट के ऊपरी द्रश्य में उसकी चूड़ी को _____ के द्वारा दर्शाया जाएगा।

1. दो मोटे वृत्त
2. एक मोटा वृत्त , एक पतला टूटा हुआ / अपूर्ण वृत्त
3. एक पतला वृत्त , एक मोटे टूटा हुआ / अपूर्ण वृत्त
4. दो पतले वृत्त

Options :

4855842597. 1
4855842598. 2
4855842599. 3
4855842600. 4

Question Number : 551 Question Id : 485584651 Question Type : MCQ Option Shuffling : No Is Question Mandatory : No Calculator : None Response Time : N.A Think Time : N.A Minimum Instruction Time : 0

Correct Marks : 5 Wrong Marks : 1

Question Key Details :

Key	Value
Comprehension	MCQ

If 'd' is the nominal diameter of a Bolt on which the Plain washer is to be used, the thickness of the plain washer will be _____.

1. $d/16$
2. $d/8$
3. $d/2$
4. $d/4$

Options :

4855842601. 1
4855842602. 2

4855842603. 3

4855842604. 4

Question Number : 551 Question Id : 485584651 Question Type : MCQ Option Shuffling : No Is Question Mandatory : No Calculator : None Response Time : N.A Think Time : N.A Minimum Instruction Time : 0

Correct Marks : 5 Wrong Marks : 1

Question Key Details :

Key	Value
Comprehension	MCQ

यदि किसी बोल्ट का नॉमिनल व्यास 'd' है जिस पर प्लेन वॉशर का प्रयोग किया जाएगा, उस प्लेन वॉशर की मोटाई _____ होगी।

1. $d/16$

2. $d/8$

3. $d/2$

4. $d/4$

Options :

4855842601. 1

4855842602. 2

4855842603. 3

4855842604. 4

Question Number : 552 Question Id : 485584652 Question Type : MCQ Option Shuffling : No Is Question Mandatory : No Calculator : None Response Time : N.A Think Time : N.A Minimum Instruction Time : 0

Correct Marks : 5 Wrong Marks : 1

Question Key Details :

Key	Value
Comprehension	MCQ

In the Conventional representation of an external V-thread, a thick circle in its side view represents

1. Crest
2. Root
3. Flank
4. Pitch

Options :

4855842605. 1
4855842606. 2
4855842607. 3
4855842608. 4

Question Number : 552 Question Id : 485584652 Question Type : MCQ Option Shuffling : No Is Question Mandatory : No Calculator : None Response Time : N.A Think Time : N.A Minimum Instruction Time : 0

Correct Marks : 5 Wrong Marks : 1

Question Key Details :

Key	Value
Comprehension	MCQ

किसी बाह्य V-आकर की चूड़ी के पार्श्व दृश्य के अभिसामयिक निरूपण में, एक मोटा वृत्त _____ को दर्शाता है।

1. क्रेस्ट
2. रूट
3. फ्लैंक
4. पिच

Options :

4855842605. 1
4855842606. 2
4855842607. 3

4855842608. 4

Question Number : 553 Question Id : 485584653 Question Type : MCQ Option Shuffling : No Is Question Mandatory : No Calculator : None Response Time : N.A Think Time : N.A Minimum Instruction Time : 0

Correct Marks : 5 Wrong Marks : 1

Question Key Details :

Key	Value
Comprehension	MCQ

Threaded length of metal end side in a Plain stud of diameter 'd = 20 mm' will be _____.

1. 20 mm
2. 40 mm
3. 46 mm
4. 50 mm

Options :

4855842609. 1
4855842610. 2
4855842611. 3
4855842612. 4

Question Number : 553 Question Id : 485584653 Question Type : MCQ Option Shuffling : No Is Question Mandatory : No Calculator : None Response Time : N.A Think Time : N.A Minimum Instruction Time : 0

Correct Marks : 5 Wrong Marks : 1

Question Key Details :

Key	Value
Comprehension	MCQ

एक 20 मि० मी० व्यास वाले प्लेन स्टड के मेटल सिरे की चूड़ी की लम्बाई _____ होगी।

1. 20 मि० मी०
2. 40 मि० मी०
3. 46 मि० मी०
4. 50 मि० मी०

Options :

4855842609. 1

4855842610. 2

4855842611. 3

4855842612. 4

**Question Number : 554 Question Id : 485584654 Question Type : MCQ Option Shuffling : No Is
Question Mandatory : No Calculator : None Response Time : N.A Think Time : N.A Minimum
Instruction Time : 0**

Correct Marks : 5 Wrong Marks : 1

Question Key Details :

Key	Value
Comprehension	MCQ

Identify the given fastener...



1. Plain stud
2. Stud with square neck
3. Collar stud
4. Rivet

Options :

4855842613. 1

4855842614. 2

4855842615. 3

4855842616. 4

Question Number : 554 Question Id : 485584654 Question Type : MCQ Option Shuffling : No Is Question Mandatory : No Calculator : None Response Time : N.A Think Time : N.A Minimum Instruction Time : 0

Correct Marks : 5 Wrong Marks : 1

Question Key Details :

Key	Value
Comprehension	MCQ

दिए गये बंधक को पहचानिए।



1. प्लेन स्टड
2. वर्गाकार नेक वाला स्टड
3. कॉलर स्टड
4. रिबेट

Options :

4855842613. 1

4855842614. 2

4855842615. 3

4855842616. 4

**Question Number : 555 Question Id : 485584655 Question Type : MCQ Option Shuffling : No Is
Question Mandatory : No Calculator : None Response Time : N.A Think Time : N.A Minimum
Instruction Time : 0**

Correct Marks : 5 Wrong Marks : 1

Question Key Details :

Key	Value
Comprehension	MCQ

This fastener can be used in shoes.

1. Nut
2. Bolt
3. Stud
4. Rivet

Options :

4855842617. 1
4855842618. 2
4855842619. 3
4855842620. 4

Question Number : 555 Question Id : 485584655 Question Type : MCQ Option Shuffling : No Is Question Mandatory : No Calculator : None Response Time : N.A Think Time : N.A Minimum Instruction Time : 0

Correct Marks : 5 Wrong Marks : 1

Question Key Details :

Key	Value
Comprehension	MCQ

जूतों में इस बंधक को प्रयुक्त किया जा सकता है।

1. नट
2. बोल्ट
3. स्टड
4. रिबेट

Options :

4855842617. 1
4855842618. 2
4855842619. 3

4855842620. 4

Question Number : 556 Question Id : 485584656 Question Type : MCQ Option Shuffling : No Is Question Mandatory : No Calculator : None Response Time : N.A Think Time : N.A Minimum Instruction Time : 0

Correct Marks : 5 Wrong Marks : 1

Question Key Details :

Key	Value
Comprehension	MCQ

The thickness of the head of the Flat head rivet is _____ . (where 'd' is the rivet diameter)

1. 0.45 d

2. 0.5 d

3. 0.25 d

4. 0.7 d

Options :

4855842621. 1

4855842622. 2

4855842623. 3

4855842624. 4

Question Number : 556 Question Id : 485584656 Question Type : MCQ Option Shuffling : No Is Question Mandatory : No Calculator : None Response Time : N.A Think Time : N.A Minimum Instruction Time : 0

Correct Marks : 5 Wrong Marks : 1

Question Key Details :

Key	Value
Comprehension	MCQ

फलैट हेड रिबेट के हेड की मोटाई _____ है। (जहाँ 'd' रिबेट का व्यास है)

1. 0.45 d
2. 0.5 d
3. 0.25 d
4. 0.7 d

Options :

4855842621. 1
4855842622. 2
4855842623. 3
4855842624. 4

Question Number : 557 Question Id : 485584657 Question Type : MCQ Option Shuffling : No Is Question Mandatory : No Calculator : None Response Time : N.A Think Time : N.A Minimum Instruction Time : 0

Correct Marks : 5 Wrong Marks : 1

Question Key Details :

Key	Value
Comprehension	MCQ

Padding in an Open Bearing helps _____.

1. in lubrication
2. in easy rotation
3. in providing stability to the sole
4. in fixing Nuts and Bolts

Options :

4855842625. 1
4855842626. 2
4855842627. 3

4855842628. 4

Question Number : 557 Question Id : 485584657 Question Type : MCQ Option Shuffling : No Is Question Mandatory : No Calculator : None Response Time : N.A Think Time : N.A Minimum Instruction Time : 0

Correct Marks : 5 Wrong Marks : 1

Question Key Details :

Key	Value
Comprehension	MCQ

ओपन बेयरिंग में पैडिंग _____ सहायक होती है।

1. लुब्रिकेशन में
2. आसानी से घूर्णन के लिए
3. आधार में स्थायित्व प्रदान करने के लिए
4. नट और बोल्ट को कसने के लिए

Options :

4855842625. 1

4855842626. 2

4855842627. 3

4855842628. 4

Question Number : 558 Question Id : 485584658 Question Type : MCQ Option Shuffling : No Is Question Mandatory : No Calculator : None Response Time : N.A Think Time : N.A Minimum Instruction Time : 0

Correct Marks : 5 Wrong Marks : 1

Question Key Details :

Key	Value
Comprehension	MCQ

Bush Bearing has a CSK hole to _____.

1. pour water
2. pour the lubricant
3. fix Bush within the body
4. insert foundation bolts

Options :

4855842629. 1

4855842630. 2

4855842631. 3

4855842632. 4

Question Number : 558 Question Id : 485584658 Question Type : MCQ Option Shuffling : No Is

Question Mandatory : No Calculator : None Response Time : N.A Think Time : N.A Minimum

Instruction Time : 0

Correct Marks : 5 Wrong Marks : 1

Question Key Details :

Key	Value
Comprehension	MCQ

बुश बेयरिंग में CSK छिद्र _____ होता है।

1. पानी डालने के लिए
2. लुब्रिकेंट डालने के लिए
3. बॉडी में बुश को अंदर डालने के लिए
4. फाउंडेशन बोल्ट को अंदर डालने के लिए

Options :

4855842629. 1

4855842630. 2

4855842631. 3

4855842632. 4

Question Number : 559 Question Id : 485584659 Question Type : MCQ Option Shuffling : No Is Question Mandatory : No Calculator : None Response Time : N.A Think Time : N.A Minimum Instruction Time : 0

Correct Marks : 5 Wrong Marks : 1

Question Key Details :

Key	Value
Comprehension	MCQ

A machine part which is used to connect rigidly two rods, whose axes are collinear and subjected to axial force.

1. Bolt and Nut
2. Stud
3. Bush
4. Cotter

Options :

4855842633. 1

4855842634. 2

4855842635. 3

4855842636. 4

Question Number : 559 Question Id : 485584659 Question Type : MCQ Option Shuffling : No Is Question Mandatory : No Calculator : None Response Time : N.A Think Time : N.A Minimum Instruction Time : 0

Correct Marks : 5 Wrong Marks : 1

Question Key Details :

Key	Value
Comprehension	MCQ

मशीन का वह पुर्जा जो दो छड़ों, जिनके अक्ष एक रेखीय हैं और अक्षीय बल निरूपित करते हैं, को मजबूती से जोड़ने के लिए प्रयोग किया जाता है।

1. बोल्ट और नट
2. स्टड
3. बुश
4. कॉटर

Options :

4855842633. 1
4855842634. 2
4855842635. 3
4855842636. 4

Question Number : 560 Question Id : 485584660 Question Type : MCQ Option Shuffling : No Is Question Mandatory : No Calculator : None Response Time : N.A Think Time : N.A Minimum Instruction Time : 0

Correct Marks : 5 Wrong Marks : 1

Question Key Details :

Key	Value
Comprehension	MCQ

Number of Cotter(s) used in a Sleeve and Cotter joint is/are _____.

1. Two
2. One
3. Four
4. Six

Options :

4855842637. 1
4855842638. 2

4855842639. 3

4855842640. 4

Question Number : 560 Question Id : 485584660 Question Type : MCQ Option Shuffling : No Is Question Mandatory : No Calculator : None Response Time : N.A Think Time : N.A Minimum Instruction Time : 0

Correct Marks : 5 Wrong Marks : 1

Question Key Details :

Key	Value
Comprehension	MCQ

स्लीव और कॉटर जोड़ में कॉटर की संख्या _____ है।

1. दो

2. एक

3. चार

4. छः

Options :

4855842637. 1

4855842638. 2

4855842639. 3

4855842640. 4

Question Number : 561 Question Id : 485584661 Question Type : MCQ Option Shuffling : No Is Question Mandatory : No Calculator : None Response Time : N.A Think Time : N.A Minimum Instruction Time : 0

Correct Marks : 5 Wrong Marks : 1

Question Key Details :

Key	Value
Comprehension	MCQ

This joint has one 'Eye end' and one 'Fork end'.

1. Turnbuckle
2. Sleeve and Cotter joint
3. Gib and Cotter joint
4. Flange joint

Options :

4855842641. 1
4855842642. 2
4855842643. 3
4855842644. 4

Question Number : 561 Question Id : 485584661 Question Type : MCQ Option Shuffling : No Is Question Mandatory : No Calculator : None Response Time : N.A Think Time : N.A Minimum Instruction Time : 0

Correct Marks : 5 Wrong Marks : 1

Question Key Details :

Key	Value
Comprehension	MCQ

इस जोड़ में एक 'आई सिरा' और दूसरा 'फोर्क सिरा' है।

1. टर्नबकल
2. स्लीव और कॉटर जोड़
3. गिब और कॉटर जोड़
4. फ्लेंज जोड़

Options :

4855842641. 1
4855842642. 2
4855842643. 3

4855842644. 4

Question Number : 562 Question Id : 485584662 Question Type : MCQ Option Shuffling : No Is Question Mandatory : No Calculator : None Response Time : N.A Think Time : N.A Minimum Instruction Time : 0

Correct Marks : 5 Wrong Marks : 1

Question Key Details :

Key	Value
Comprehension	MCQ

For joining two pipes, _____ is used.

1. Flange Joint
2. Turnbuckle Joint
3. Gib and Cotter Joint
4. Sleeve and Cotter Joint

Options :

4855842645. 1

4855842646. 2

4855842647. 3

4855842648. 4

Question Number : 562 Question Id : 485584662 Question Type : MCQ Option Shuffling : No Is Question Mandatory : No Calculator : None Response Time : N.A Think Time : N.A Minimum Instruction Time : 0

Correct Marks : 5 Wrong Marks : 1

Question Key Details :

Key	Value
Comprehension	MCQ

दो पाईपों को जोड़ने के लिए _____ का प्रयोग किया जाता है।

1. फ्लैज जोड़
2. टर्नबकवल जोड़
3. गिब और कॉटर जोड़
4. स्लीव और कॉटर जोड़

Options :

4855842645. 1
4855842646. 2
4855842647. 3
4855842648. 4

Question Number : 563 Question Id : 485584663 Question Type : MCQ Option Shuffling : No Is Question Mandatory : No Calculator : None Response Time : N.A Think Time : N.A Minimum Instruction Time : 0

Correct Marks : 5 Wrong Marks : 1

Question Key Details :

Key	Value
Comprehension	MCQ

The Turnbuckle consists of an elongated metal tube which is _____.

1. cylindrical in shape and has conical ends
2. rectangular in shape and has tapered ends
3. cylindrical in shape and has rectangular ends
4. rectangular in shape and has square ends

Options :

4855842649. 1
4855842650. 2
4855842651. 3

4855842652. 4

Question Number : 563 Question Id : 485584663 Question Type : MCQ Option Shuffling : No Is Question Mandatory : No Calculator : None Response Time : N.A Think Time : N.A Minimum Instruction Time : 0

Correct Marks : 5 Wrong Marks : 1

Question Key Details :

Key	Value
Comprehension	MCQ

टर्नबक्कल में लम्बी धातु की नलिका _____ ।

1. आकृति में बेलनाकार और सिरे शंकु के आकार के होते हैं
2. आकृति में आयताकार और सिरे तिरछे होते हैं
3. आकृति बेलनाकार और सिरे आयताकार होते हैं
4. आकृति आयताकार और सिरे वर्गाकार होते हैं

Options :

4855842649. 1

4855842650. 2

4855842651. 3

4855842652. 4

Question Number : 564 Question Id : 485584664 Question Type : MCQ Option Shuffling : No Is Question Mandatory : No Calculator : None Response Time : N.A Think Time : N.A Minimum Instruction Time : 0

Correct Marks : 5 Wrong Marks : 1

Question Key Details :

Key	Value
Comprehension	MCQ

Identify the **correct** statements for the use of Continuous thick line:

- A. It is used for extension line.
- B. It is used for dimensioning.
- C. It is used as a boundary line of the drawing sheet.
- D. It is used for visible outlines of object.
- E. It is used for hatching (sectioning).

Choose the **correct** answer from the options given below:

- 1. A and B only
- 2. C and D only
- 3. C and E only
- 4. B and C only

Options :

4855842653. 1

4855842654. 2

4855842655. 3

4855842656. 4

Question Number : 564 Question Id : 485584664 Question Type : MCQ Option Shuffling : No Is Question Mandatory : No Calculator : None Response Time : N.A Think Time : N.A Minimum Instruction Time : 0

Correct Marks : 5 Wrong Marks : 1

Question Key Details :

Key	Value
Comprehension	MCQ

सतत मोटी लाइन के प्रयोग के आधार पर, सही कथन पहचानिए:

- A. इसे विस्तार रेखा के लिए प्रयोग किया जाता है।
- B. इसे आयाम रेखा के लिए प्रयोग किया जाता है।
- C. ड्राइंग शीट की बाउंड्री लाइन के लिए प्रयोग किया गया है।
- D. वस्तुओं की दृश्य रूपरेखा के लिए प्रयोग किया जाता है।
- E. इसे हैचिंग के लिए प्रयोग किया जाता है।

नीचे दिए गए विकल्पों में से सही उत्तर का चयन किजिए :

- 1. केवल A और B
- 2. केवल C और D
- 3. केवल C और E
- 4. केवल B और C

Options :

4855842653. 1

4855842654. 2

4855842655. 3

4855842656. 4

Question Number : 565 Question Id : 485584665 Question Type : MCQ Option Shuffling : No Is

Question Mandatory : No Calculator : None Response Time : N.A Think Time : N.A Minimum

Instruction Time : 0

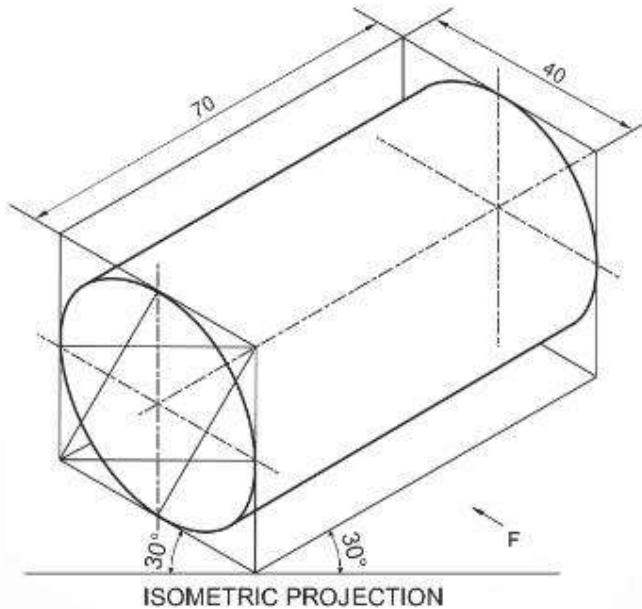
Correct Marks : 5 Wrong Marks : 1

Question Key Details :

Key	Value
Comprehension	MCQ

According to the given figure, identify the **correct** statements:

- A. Axis is perpendicular to H.P.
- B. Axis is perpendicular to V.P.
- C. Axis is parallel to both H.P. and V.P.
- D. Circular faces are perpendicular to V.P.
- E. Circular faces are parallel to V.P.



Choose the **correct** answer from the options given below:

- 1. A and C only
- 2. B and D only
- 3. C and D only
- 4. D and E only

Options :

4855842657. 1

4855842658. 2

4855842659. 3

4855842660. 4

Question Number : 565 Question Id : 485584665 Question Type : MCQ Option Shuffling : No Is Question Mandatory : No Calculator : None Response Time : N.A Think Time : N.A Minimum Instruction Time : 0

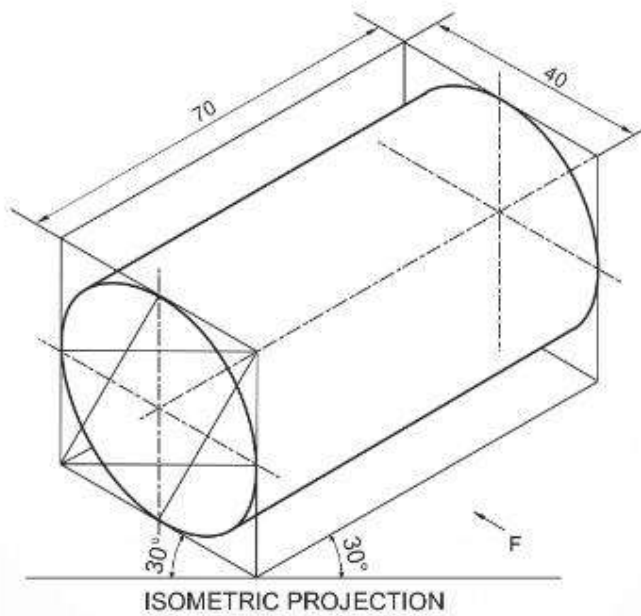
Correct Marks : 5 Wrong Marks : 1

Question Key Details :

Key	Value
Comprehension	MCQ

दिए गए चित्रानुसार , सही कथन को पहचानिए :

- A. अक्ष एच.पी. के लम्बवत है।
- B. अक्ष वी.पी. के लम्बवत है।
- C. अक्ष एच.पी. और वी.पी. के समानान्तर है।
- D. वृत्ताकार फलक वी.पी. के लम्बवत है।
- E. वृत्ताकार फलक वी.पी. के समानान्तर है।



नीचे दिए गए विकल्पों में से सही उत्तर का चयन किजिए :

1. केवल A और C
2. केवल B और D
3. केवल C और D
4. केवल D और E

Options :

4855842657. 1

4855842658. 2

4855842659. 3

Question Number : 566 Question Id : 485584666 Question Type : MCQ Option Shuffling : No Is
 Question Mandatory : No Calculator : None Response Time : N.A Think Time : N.A Minimum
 Instruction Time : 0

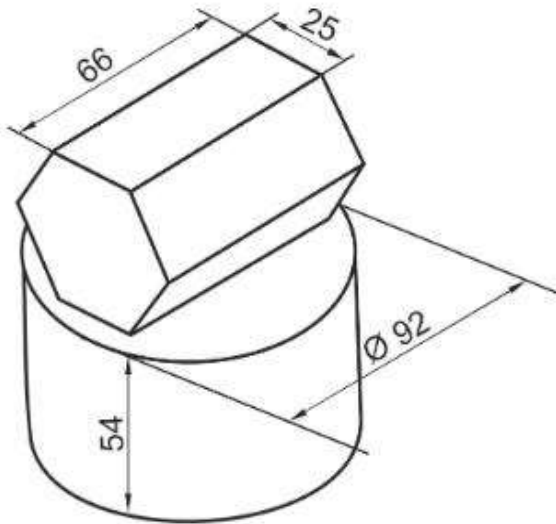
Correct Marks : 5 Wrong Marks : 1

Question Key Details :

Key	Value
Comprehension	MCQ

Identify the **correct** statements for the given figure:

- A. Axes of both solids are parallel to H.P.
- B. Axis of the circular slab is vertical.
- C. There are Eight rectangular faces.
- D. The isometric view of the top surface of the cylinder will be an ellipse.
- E. Prism is resting on its long edge on H.P.



Choose the **correct** answer from the options given below:

- 1. A and B only
- 2. C and D only
- 3. B and E only
- 4. B and D only

Options :

4855842662. 2

4855842663. 3

4855842664. 4

**Question Number : 566 Question Id : 485584666 Question Type : MCQ Option Shuffling : No Is
Question Mandatory : No Calculator : None Response Time : N.A Think Time : N.A Minimum
Instruction Time : 0**

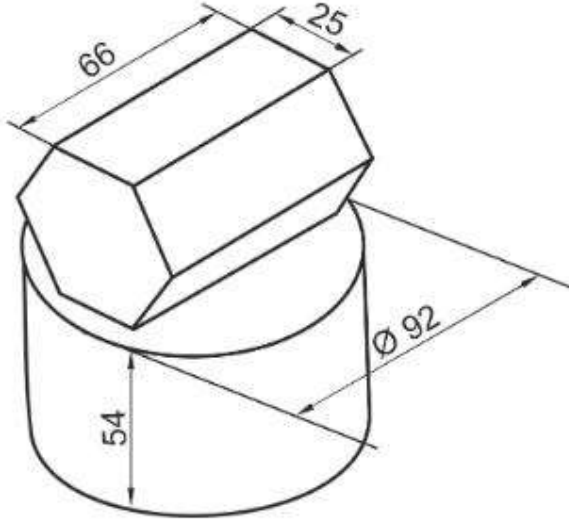
Correct Marks : 5 Wrong Marks : 1

Question Key Details :

Key	Value
Comprehension	MCQ

चित्र पर आधारित सही कथनों को पहचानिए:

- A. दोनों ठोस आकृतियाँ के अक्ष एच.पी. के समानान्तर हैं।
- B. वृत्ताकार स्लैब का अक्ष ऊर्ध्वाधर है।
- C. इसमें आठ आयताकार फलक हैं।
- D. बेलन के ऊपरी सतह का समपरिमाणीय दृश्य एक दीर्घवृत्त होगा।
- E. प्रिज्म एच.पी. पर अपने लम्बे किनारे पर रखा है।



नीचे दिए गए विकल्पों में से सही उत्तर का चयन किजिए :

1. केवल A और B
2. केवल C और D
3. केवल B और E
4. केवल B और D

Options :

4855842661. 1

4855842662. 2

4855842663. 3

4855842664. 4

Question Number : 567 Question Id : 485584667 Question Type : MCQ Option Shuffling : No Is

Question Mandatory : No Calculator : None Response Time : N.A Think Time : N.A Minimum

Instruction Time : 0

Correct Marks : 5 Wrong Marks : 1

Question Key Details :

Key	Value
Comprehension	MCQ

Identify the correct statements for a Square Headed Bolt:

- A. Square headed bolt has a square cross sectional shank.
- B. Square headed bolt is generally used where head of the bolt is to be accommodated in a square recess.
- C. The thickness of the head of the Square headed bolt is same as that of a Square nut.
- D. Radius of the chamfering arc is $2d$. (d = nominal diameter of bolt).
- E. Square headed bolt has internal V-thread.

Choose the correct answer from the options given below:

- 1. B and D only
- 2. C and E only
- 3. A and C only
- 4. D and E only

Options :

4855842665. 1

4855842666. 2

4855842667. 3

4855842668. 4

Question Number : 567 Question Id : 485584667 Question Type : MCQ Option Shuffling : No Is Question Mandatory : No Calculator : None Response Time : N.A Think Time : N.A Minimum Instruction Time : 0

Correct Marks : 5 Wrong Marks : 1

Question Key Details :

Key	Value
Comprehension	MCQ

वर्गाकार सिर वाले बोल्ट के लिए सही कथनों को पहचानिए:

- A. वर्गाकार सिर वाले बोल्ट में वर्ग के अनुप्रस्थ काट का शैंक होता है।
- B. वर्गाकार सिर वाले बोल्ट प्रायः प्रयुक्त होता है जहाँ बोल्ट के सिरे को वर्गाकार खाँचे में समायोजित करते हैं।
- C. वर्गाकार सिर वाले बोल्ट के सिरे की मोटाई वर्गाकार नट के समान होती है।
- D. चम्फेरिंग चाप की त्रिज्या $2d$ है। (d =बोल्ट का नॉमिनल व्यास)
- E. वर्गाकार सिर वाले बोल्ट में आंतरिक V-आकर की चूड़ी होती है।

नीचे दिए गए विकल्पों में से सही उत्तर का चयन कीजिए :

1. केवल B और D
2. केवल C और E
3. केवल A और C
4. केवल D और E

Options :

4855842665. 1

4855842666. 2

4855842667. 3

4855842668. 4

Question Number : 568 Question Id : 485584668 Question Type : MCQ Option Shuffling : No Is

Question Mandatory : No Calculator : None Response Time : N.A Think Time : N.A Minimum

Instruction Time : 0

Correct Marks : 5 Wrong Marks : 1

Question Key Details :

Key	Value
Comprehension	MCQ

Identify the **correct** statements for Studs:

- A. Stud is a permanent fastener.
- B. A Stud has thread on one end and head at the other end.
- C. Stud is a cylindrical body having threads at both ends.
- D. A stud always has a cylindrical neck.
- E. Stud is a headless bolt.

Choose the **correct** answer from the options given below:

- 1. A and B only
- 2. B and C only
- 3. C and E only
- 4. A and D only

Options :

4855842669. 1

4855842670. 2

4855842671. 3

4855842672. 4

Question Number : 568 Question Id : 485584668 Question Type : MCQ Option Shuffling : No Is Question Mandatory : No Calculator : None Response Time : N.A Think Time : N.A Minimum Instruction Time : 0

Correct Marks : 5 Wrong Marks : 1

Question Key Details :

Key	Value
Comprehension	MCQ

स्टड के लिए सही कथनों को पहचानिए:

- A. स्टड एक स्थाई बंधक है।
- B. स्टड के एक सिरे पर चूड़ी और दुसरे सिरे पर हेड होता है।
- C. स्टड एक बेलनाकार बांडी है जिसके दोनों सिरों पर चूड़ी होती है।
- D. एक स्टड में सदैव बेलनाकार नेक होती है।
- E. स्टड एक सिर विहीन बोल्ट है।

नीचे दिए गए विकल्पों में से सही उत्तर का चयन किजिए :

- 1. केवल A और B
- 2. केवल B और C
- 3. केवल C और E
- 4. केवल A और D

Options :

4855842669. 1

4855842670. 2

4855842671. 3

4855842672. 4

Question Number : 569 Question Id : 485584669 Question Type : MCQ Option Shuffling : No Is

Question Mandatory : No Calculator : None Response Time : N.A Think Time : N.A Minimum

Instruction Time : 0

Correct Marks : 5 Wrong Marks : 1

Question Key Details :

Key	Value
Comprehension	MCQ

Identify the **correct** statements for a Flange joint:

- A. Flanges are made thinner than pipe walls for strength.
- B. When the pressure inside the pipe is less, then the thickness of pipe wall is increased.
- C. Flange Pipe Joints are used to carry liquids and gases.
- D. Nuts and Bolts are used to make this joint leak proof.
- E. For perfect alignment, faces of both flanges are machined at right angles to the axes of the pipes.

Choose the **correct** answer from the options given below:

- 1. A and B only
- 2. C and E only
- 3. B and D only
- 4. D and E only

Options :

4855842673. 1

4855842674. 2

4855842675. 3

4855842676. 4

Question Number : 569 Question Id : 485584669 Question Type : MCQ Option Shuffling : No Is Question Mandatory : No Calculator : None Response Time : N.A Think Time : N.A Minimum Instruction Time : 0

Correct Marks : 5 Wrong Marks : 1

Question Key Details :

Key	Value
Comprehension	MCQ

फलेंज जोड़ के लिए सही कथनों को पहचानिए:

- A. फलेंज को मजबूती प्रदान करने के लिए पाइप की दीवारों की तुलना में पतला बनते हैं।
- B. जब पाइप के अंदर दबाव कम होता है तो पाइप की दीवारों की मोटाई बढ़ा दी जाती है।
- C. फलेंज पाइप जोड़ का द्रवों एवं गैसों को लाने में प्रयोग किया जाता है।
- D. इस जोड़ को रसाव रोधी (लीक प्रूफ) बनाने के लिए नटों और बोल्टों का प्रयोग किया जाता है।
- E. उचित सरिखण के लिए फलेंज के दोनों फलकों को पाइपों के अक्षों पर समकोण पर मशीनीकरण किया जाता है।

नीचे दिए गए विकल्पों में से सही उत्तर का चयन किजिए :

- 1. केवल A और B
- 2. केवल C और E
- 3. केवल B और D
- 4. केवल D और E

Options :

4855842673. 1

4855842674. 2

4855842675. 3

4855842676. 4

Question Number : 570 Question Id : 485584670 Question Type : MCQ Option Shuffling : No Is

Question Mandatory : No Calculator : None Response Time : N.A Think Time : N.A Minimum

Instruction Time : 0

Correct Marks : 5 Wrong Marks : 1

Question Key Details :

Key	Value
Comprehension	MCQ

Match List I with List II

LIST I		LIST II	
A.	Perspective Projection	I.	used in mechanical engineering
B.	Oblique projection	II.	used to draw multiple views
C.	Isometric projection	III.	used by artists, professional designer and architects
D.	Orthographic projection	IV.	used by mathematicians and furniture manufacturers

Choose the **correct** answer from the options given below:

1. A-IV, B-I, C-II, D-III
2. A-I, B-II, C-III, D-IV
3. A-II, B-I, C-III, D-IV
4. A-III, B-IV, C-I, D-II

Options :

4855842677. 1

4855842678. 2

4855842679. 3

4855842680. 4

Question Number : 570 Question Id : 485584670 Question Type : MCQ Option Shuffling : No Is Question Mandatory : No Calculator : None Response Time : N.A Think Time : N.A Minimum Instruction Time : 0

Correct Marks : 5 Wrong Marks : 1

Question Key Details :

Key	Value
Comprehension	MCQ

सूची I का सूची II से मिलान कीजिए

सूची I		सूची II	
A.	परिप्रेक्ष्य प्रक्षेपन	I.	यांत्रिक अभियांत्रिकी में प्रयुक्त होता है।
B.	अप्रत्यक्ष प्रक्षेपन	II.	बहु-दृश्य बनाने में प्रयुक्त होता है।
C.	समपरिमाणीय प्रक्षेपन	III.	कलाकार, व्यवसायी डिज़ाइनर और वास्तुविद द्वारा प्रयुक्त किया जाता है।
D.	लम्बकोणीय प्रक्षेपन	IV.	गणितज्ञ और फर्नीचर द्वारा प्रयुक्त किया जाता है।

नीचे दिए गए विकल्पों में से सही उत्तर का चयन कीजिए:

1. A-IV, B-I, C-II, D-III
2. A-I, B-II, C-III, D-IV
3. A-II, B-I, C-III, D-IV
4. A-III, B-IV, C-I, D-II

Options :

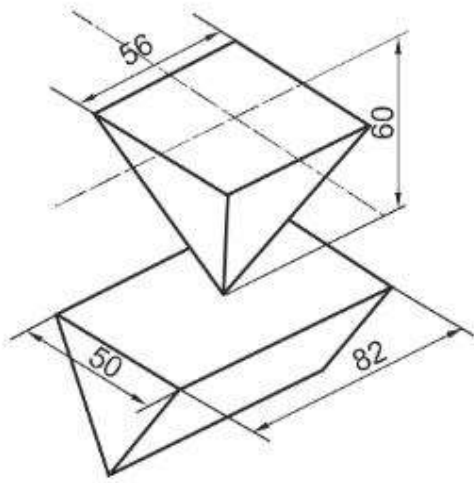
4855842677. 1
4855842678. 2
4855842679. 3
4855842680. 4

Question Number : 571 Question Id : 485584671 Question Type : MCQ Option Shuffling : No Is Question Mandatory : No Calculator : None Response Time : N.A Think Time : N.A Minimum Instruction Time : 0

Correct Marks : 5 Wrong Marks : 1

Question Key Details :

Key	Value
Comprehension	MCQ



Match List I with List II as per the given figure:

LIST I Isometric projection of combination solids given below		LIST II	
A.	Solid at Bottom.	I.	Vertical
B.	Solid on Top.	II.	Equilateral triangular prism
C.	Axis of top solid.	III.	Horizontal
D.	Axis of bottom solid.	IV.	Square pyramid

Choose the **correct** answer from the options given below:

1. A-II, B-IV, C-I, D-III
2. A-IV, B-III, C-II, D-I
3. A-III, B-II, C-IV, D-I
4. A-I, B-II, C-III, D-IV

Options :

4855842681. 1

4855842682. 2

4855842683. 3

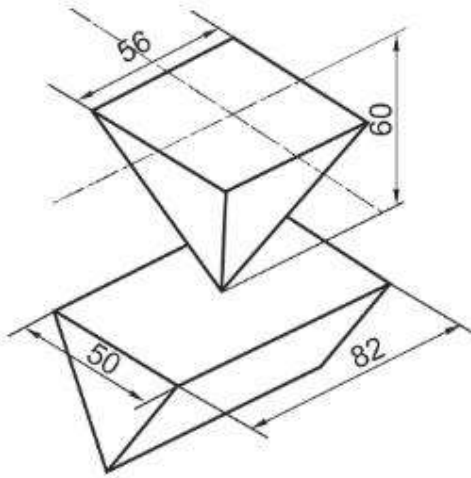
4855842684. 4

**Question Number : 571 Question Id : 485584671 Question Type : MCQ Option Shuffling : No Is
Question Mandatory : No Calculator : None Response Time : N.A Think Time : N.A Minimum
Instruction Time : 0**

Correct Marks : 5 Wrong Marks : 1

Question Key Details :

Key	Value
Comprehension	MCQ



सूची I का सूची II से मिलान कीजिए

सूची I		सूची II	
A.	निचे वाला ठोस	I.	ऊर्ध्वाधर
B.	ऊपर वाला ठोस	II.	समबाहु त्रिभुजाकार प्रिज्म
C.	ऊपर वाले ठोस का अक्ष	III.	क्षितिज
D.	निचे वाले ठोस का अक्ष	IV.	वर्गाकार पिरामिड

नीचे दिए गए विकल्पों में से सही उत्तर का चयन कीजिए :

1. A-II, B-IV, C-I, D-III
2. A-IV, B-III, C-II, D-I
3. A-III, B-II, C-IV, D-I
4. A-I, B-II, C-III, D-IV

Options :

4855842681. 1

4855842682. 2

4855842683. 3

4855842684. 4

Question Mandatory : No Calculator : None Response Time : N.A Think Time : N.A Minimum

Instruction Time : 0

Correct Marks : 5 Wrong Marks : 1

Question Key Details :

Key	Value
Comprehension	MCQ

Match List I with List II

(P =Pitch of thread, D = Theoretical depth and 'd' = Actual depth)

LIST I		LIST II	
A.	'D' in B.S.W. thread	I.	0.61 P
B.	'd' in Metric thread (Internal)	II.	0.86 P
C.	'd' in Metric External thread	III.	0.96 P
D.	'D' in Metric thread	IV.	0.54 P

Choose the **correct** answer from the options given below:

1. A-III, B-I, C-II, D-IV
2. A-III, B-IV, C-I, D-II
3. A-I, B-III, C-II, D-IV
4. A-II, B-IV, C-I, D-III

Options :

4855842685. 1

4855842686. 2

4855842687. 3

4855842688. 4

Question Number : 572 Question Id : 485584672 Question Type : MCQ Option Shuffling : No Is

Question Mandatory : No Calculator : None Response Time : N.A Think Time : N.A Minimum

Instruction Time : 0

Correct Marks : 5 Wrong Marks : 1

Question Key Details :

Key	Value
-----	-------

सूची I का सूची II से मिलान कीजिए

(P = चूड़ियों की पिच, D = सैद्धांतिक गहराई एवं 'd' = वास्तविक गहराई)

सूची I		सूची II	
A.	बी.एस.डब्ल्यू. चूड़ी में 'D'	I.	0.61 P
B.	आंतरिक मीट्रिक चूड़ी में 'D'	II.	0.86 P
C.	बाह्य मीट्रिक चूड़ी में 'D'	III.	0.96 P
D.	मीट्रिक चूड़ी में 'D'	IV.	0.54 P

नीचे दिए गए विकल्पों में से सही उत्तर का चयन कीजिए :

1. A-III, B-I, C-II, D-IV
2. A-III, B-IV, C-I, D-II
3. A-I, B-III, C-II, D-IV
4. A-II, B-IV, C-I, D-III

Options :

4855842685. 1

4855842686. 2

4855842687. 3

4855842688. 4

Question Number : 573 Question Id : 485584673 Question Type : MCQ Option Shuffling : No Is

Question Mandatory : No Calculator : None Response Time : N.A Think Time : N.A Minimum

Instruction Time : 0

Correct Marks : 5 Wrong Marks : 1

Question Key Details :

Key	Value
Comprehension	MCQ

Match List I with List II

LIST I		LIST II	
A.	Rivet	I.	Cylindrical rod having threads at both ends and is a plain cylinder in the centre
B.	Plain stud	II.	Threaded cylindrical rod with square neck in the central portion
C.	Stud with square neck	III.	Simple round rod having head at its one end
D.	Collar stud	IV.	Threaded cylindrical rod with collar in the central portion

Choose the **correct** answer from the options given below:

1. A-I, B-II, C-III, D-IV
2. A-IV, B-III, C-II, D-I
3. A-II, B-III, C-IV, D-I
4. A-III, B-I, C-II, D-IV

Options :

4855842689. 1

4855842690. 2

4855842691. 3

4855842692. 4

Question Number : 573 Question Id : 485584673 Question Type : MCQ Option Shuffling : No Is

Question Mandatory : No Calculator : None Response Time : N.A Think Time : N.A Minimum

Instruction Time : 0

Correct Marks : 5 Wrong Marks : 1

Question Key Details :

Key	Value
Comprehension	MCQ

सूची I का सूची II से मिलान कीजिए

सूची I		सूची II	
A.	रिवेट	I.	बेलनाकार छड़ में दोनों सिरों पर चूड़ी और केन्द्र में समतल बेलन
B.	प्लेन स्टड	II.	केन्द्र में वर्गाकार नेक वाली बेलनाकार छड़ (चूड़ीदार)
C.	वर्गाकार नेक वाली स्टड	III.	एक सिरे पर हेड वाली साधारण गोल छड़
D.	कॉलर स्टड	IV.	केन्द्र भाग में कॉलर के साथ एक चूड़ीयुक्त बेलनाकार छड़

नीचे दिए गए विकल्पों में से सही उत्तर का चयन कीजिए:

1. A-I, B-II, C-III, D-IV
2. A-IV, B-III, C-II, D-I
3. A-II, B-III, C-IV, D-I
4. A-III, B-I, C-II, D-IV

Options :

4855842689. 1
4855842690. 2
4855842691. 3
4855842692. 4

Question Number : 574 Question Id : 485584674 Question Type : MCQ Option Shuffling : No Is Question Mandatory : No Calculator : None Response Time : N.A Think Time : N.A Minimum Instruction Time : 0

Correct Marks : 5 Wrong Marks : 1

Question Key Details :

Key	Value
Comprehension	MCQ

Match List I with List II

LIST I Parts of Sleeve and cotter joint		LIST II Function	
A.	Tapering of the cotter	I.	For the insertion of cotters at right angle to the axes of the rods
B.	Ends of two rods are chamfered	II.	So that cotters are automatically adjusted
C.	A hollow sleeve has two rectangular holes	III.	To avoid burring and easy insertion in the hollow steel sleeve
D.	The extra margin given for the clearance in the rods and sleeve	IV.	1:30

Choose the **correct** answer from the options given below:

1. A-I, B-II, C-III, D-IV
2. A-II, B-I, C-IV, B-III
3. A-IV, B-III, C-I, D-II
4. A-III, B-II, C-IV, D-I

Options :

4855842693. 1

4855842694. 2

4855842695. 3

4855842696. 4

Question Number : 574 Question Id : 485584674 Question Type : MCQ Option Shuffling : No Is Question Mandatory : No Calculator : None Response Time : N.A Think Time : N.A Minimum Instruction Time : 0

Correct Marks : 5 Wrong Marks : 1

Question Key Details :

Key	Value
Comprehension	MCQ

सूची I का सूची II से मिलान कीजिए

सूची I स्लीव और काँटर जोड़ के भाग		सूची II उपयोग	
A.	काँटर का तिरछापन	I.	छड़ों के अक्षो पर समकोण में काँटर को अंदर डालने के लिए
B.	छड़ों के दोनों सिरे कि चेम्फरिंग	II.	ताकि काँटर स्वतः समायोजित हो जाए
C.	खोखले स्लीव में दो आयताकार छिद्र	III.	बर्रिंग से बचाव और खोखली स्लीव में आसानी से डालने के लिए
D.	अतिरिक्ति मार्जिन का छड़ और स्लीव में क्लीयरेन्स	IV.	1:30

निम्नलिखित विकल्पों में से सही उत्तर का चयन कीजिए :

1. A-I, B-II, C-III, D-IV

2. A-II, B-I, C-IV, B-III

3. A-IV, B-III, C-I, D-II

4. A-III, B-II, C-IV, D-I

Options :

4855842693. 1

4855842694. 2

4855842695. 3

4855842696. 4

Question Number : 575 Question Id : 485584675 Question Type : MCQ Option Shuffling : No Is Question Mandatory : No Calculator : None Response Time : N.A Think Time : N.A Minimum Instruction Time : 0

Correct Marks : 5 Wrong Marks : 1

Question Key Details :

Key	Value
Comprehension	MCQ

Match List I with List II

LIST I (Name of Machine Part)		LIST II (Material)	
A.	Gasket	I.	Gun Metal
B.	Gib	II.	Cast Iron
C.	Bush	III.	Mild Steel
D.	Body of Bearing	IV.	Rubber

Choose the **correct** answer from the options given below:

1. A-IV, B-III, C-I, D-II

2. A-I, B-II, C-III, D-IV

3. A-III, B-IV, C-II, D-I

4. A-II, B-I, C-IV, D-III

Options :

4855842697. 1

4855842698. 2

4855842699. 3

4855842700. 4

Question Number : 575 Question Id : 485584675 Question Type : MCQ Option Shuffling : No Is Question Mandatory : No Calculator : None Response Time : N.A Think Time : N.A Minimum Instruction Time : 0

Correct Marks : 5 Wrong Marks : 1

Question Key Details :

Key	Value
Comprehension	MCQ

सूची I का सूची II से मिलान कीजिए

सूची I		सूची II	
A.	गैस्केट	I.	गन-मेटल
B.	गिब	II.	क्वचा-लोहा
C.	बुश	III.	माइल्ड-स्टील
D.	बेयरिंग की बॉडी	IV.	रबर

नीचे दिए गए विकल्पों में से सही उत्तर का चयन कीजिए :

1. A-IV, B-III, C-I, D-II
2. A-I, B-II, C-III, D-IV
3. A-III, B-IV, C-II, D-I
4. A-II, B-I, C-IV, D-III

Options :

4855842697. 1

4855842698. 2

4855842699. 3

4855842700. 4

Sub-Section Number :

2

Sub-Section Id :

485584233

Question Shuffling Allowed :

No

Is Section Default? :

null

Question Number : 576 Question Id : 485584676 Question Type : MCQ Option Shuffling : No Is

Question Mandatory : No Calculator : None Response Time : N.A Think Time : N.A Minimum

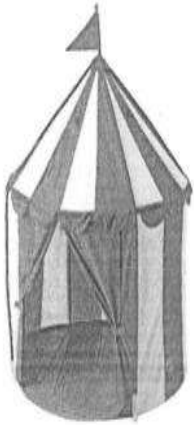
Instruction Time : 0

Correct Marks : 5 Wrong Marks : 1

Question Key Details :

Key	Value
Comprehension	Comp1

Prarit is a Youtube vlogger and is very much fond of travelling. During one of his trekking tour, he stayed in a tent as shown in the figure. The lower cylindrical part of the tent is 2 meter high and upper conical part is 1 meter high. Diameter of the carpet on its floor is 2 meter. Ignoring the thickness of the tent and flag on the top, answer the following question.



Total isometric height (approximately) of the tent in its isometric projection is _____.

1. 100 mm
2. 240 mm
3. 200 mm
4. 300 mm

Options :

4855842701. 1
4855842702. 2
4855842703. 3
4855842704. 4

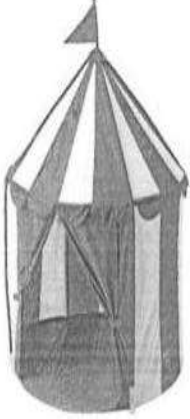
Question Number : 576 Question Id : 485584676 Question Type : MCQ Option Shuffling : No Is Question Mandatory : No Calculator : None Response Time : N.A Think Time : N.A Minimum Instruction Time : 0

Correct Marks : 5 Wrong Marks : 1

Question Key Details :

Key	Value
-----	-------

प्रेरित, एक यूट्यूब ब्लॉगर है तथा यात्राओं का बहुत शोकिन है। अपने एक ट्रैकिंग टूर के दौरान, वह एक तम्बू में ठहरा, जो की चित्र में दिखाया गया है। तम्बू का निचला बेलनाकार भाग 2 मीटर ऊँचा है और ऊपरी शंकु के आकार वाला भाग 1 मीटर ऊँचा है। इसके फर्श के कालीन का व्यास 2 मीटर है। तम्बू की मोटाई और ध्वज की ऊँचाई को अनदेखा करते हुए, नीचे दिए गए प्रश्नों के उत्तर दीजिये।



तम्बू के समपरिमाणीय प्रक्षेपण में इसकी कुल समपरिमाणीय ऊँचाई (लगभग) _____ है।

1. 100 मि० मी०
2. 240 मि० मी०
3. 200 मि० मी०
4. 300 मि० मी०

Options :

4855842701. 1

4855842702. 2

4855842703. 3

4855842704. 4

Question Number : 577 Question Id : 485584677 Question Type : MCQ Option Shuffling : No Is

Question Mandatory : No Calculator : None Response Time : N.A Think Time : N.A Minimum

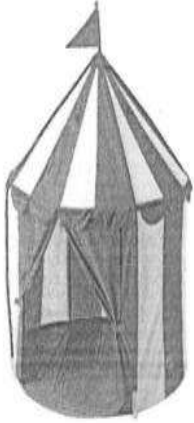
Instruction Time : 0

Correct Marks : 5 Wrong Marks : 1

Question Key Details :

Key	Value
Comprehension	Comp1

Prarit is a Youtube vlogger and is very much fond of travelling. During one of his trekking tour, he stayed in a tent as shown in the figure. The lower cylindrical part of the tent is 2 meter high and upper conical part is 1 meter high. Diameter of the carpet on its floor is 2 meter. Ignoring the thickness of the tent and flag on the top, answer the following question.



In the isometric projection of the tent, its carpet will be drawn as _____.

1. Circle
2. Sphere
3. Ellipse
4. Semicircle

Options :

4855842705. 1

4855842706. 2

4855842707. 3

4855842708. 4

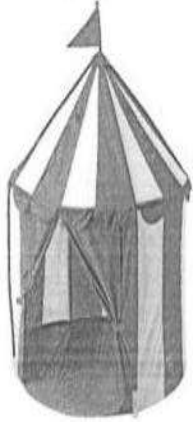
Question Number : 577 Question Id : 485584677 Question Type : MCQ Option Shuffling : No Is Question Mandatory : No Calculator : None Response Time : N.A Think Time : N.A Minimum Instruction Time : 0

Correct Marks : 5 Wrong Marks : 1

Question Key Details :

Key	Value
Comprehension	Comp1

प्रेरित, एक यूट्यूब ब्लॉगर है तथा यात्राओं का बहुत शोकिन है। अपने एक ट्रैकिंग टूर के दौरान, वह एक तम्बू में ठहरा, जो की चित्र में दिखाया गया है। तम्बू का निचला बेलनाकार भाग 2 मीटर ऊँचा है और ऊपरी शंकु के आकार वाला भाग 1 मीटर ऊँचा है। इसके फर्श के कालीन का व्यास 2 मीटर है। तम्बू की मोटाई और ध्वज की ऊँचाई को अनदेखा करते हुए, नीचे दिए गए प्रश्नों के उत्तर दीजिये।



तम्बू के समपरिमाणीय प्रक्षेपण में, इसका कारपेट _____ से दर्शाया जायेगा।

1. वृत्त
2. गोला
3. दीर्घवृत्त
4. अर्द्धवृत्त

Options :

4855842705. 1

4855842706. 2

4855842707. 3

4855842708. 4

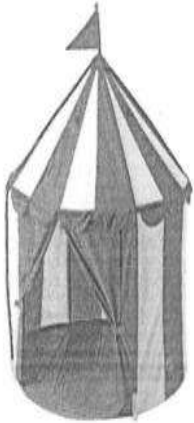
Question Number : 578 Question Id : 485584678 Question Type : MCQ Option Shuffling : No Is Question Mandatory : No Calculator : None Response Time : N.A Think Time : N.A Minimum Instruction Time : 0

Correct Marks : 5 Wrong Marks : 1

Question Key Details :

Key	Value
Comprehension	Comp1

Prarit is a Youtube vlogger and is very much fond of travelling. During one of his trekking tour, he stayed in a tent as shown in the figure. The lower cylindrical part of the tent is 2 meter high and upper conical part is 1 meter high. Diameter of the carpet on its floor is 2 meter. Ignoring the thickness of the tent and flag on the top, answer the following question.



The **correct** statement about the common axis of the tent is:

1. it is perpendicular to H.P.
2. it is perpendicular to V.P.
3. it is parallel to H.P.
4. it is parallel to both H.P. and V.P.

Options :

4855842709. 1

4855842710. 2

4855842711. 3

4855842712. 4

Question Number : 578 Question Id : 485584678 Question Type : MCQ Option Shuffling : No Is

Question Mandatory : No Calculator : None Response Time : N.A Think Time : N.A Minimum

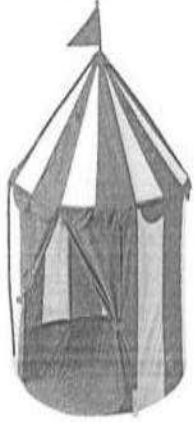
Instruction Time : 0

Correct Marks : 5 Wrong Marks : 1

Question Key Details :

Key	Value
Comprehension	Comp1

प्रेरित, एक यूट्यूब ब्लॉगर है तथा यात्राओं का बहुत शोकिन है। अपने एक ट्रैकिंग टूर के दौरान, वह एक तम्बू में ठहरा, जो की चित्र में दिखाया गया है। तम्बू का निचला बेलनाकार भाग 2 मीटर ऊँचा है और ऊपरी शंकु के आकार वाला भाग 1 मीटर ऊँचा है। इसके फर्श के कालीन का व्यास 2 मीटर है। तम्बू की मोटाई और ध्वज की ऊँचाई को अनदेखा करते हुए, नीचे दिए गए प्रश्नों के उत्तर दीजिये।



तम्बू के सह-अक्ष के सम्बन्ध में सही कथन है:

1. यह एच.पी.के लम्बवत है।
2. यह वी.पी.के लम्बवत है।
3. यह एच.पी. के समानांतर है।
4. यह एच.पी.और वी.पी.के समानांतर है।

Options :

4855842709. 1

4855842710. 2

4855842711. 3

4855842712. 4

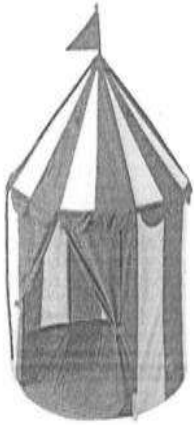
Question Number : 579 Question Id : 485584679 Question Type : MCQ Option Shuffling : No Is Question Mandatory : No Calculator : None Response Time : N.A Think Time : N.A Minimum Instruction Time : 0

Correct Marks : 5 Wrong Marks : 1

Question Key Details :

Key	Value
Comprehension	Comp1

Prarit is a Youtube vlogger and is very much fond of travelling. During one of his trekking tour, he stayed in a tent as shown in the figure. The lower cylindrical part of the tent is 2 meter high and upper conical part is 1 meter high. Diameter of the carpet on its floor is 2 meter. Ignoring the thickness of the tent and flag on the top, answer the following question.



For drawing the isometric projection of the tent, we need a special scale known as _____.

1. full scale
2. isometric scale
3. enlarged Scale
4. vernier scale

Options :

4855842713. 1

4855842714. 2

4855842715. 3

4855842716. 4

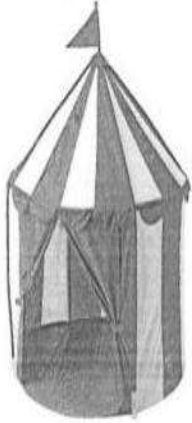
Question Number : 579 Question Id : 485584679 Question Type : MCQ Option Shuffling : No Is Question Mandatory : No Calculator : None Response Time : N.A Think Time : N.A Minimum Instruction Time : 0

Correct Marks : 5 Wrong Marks : 1

Question Key Details :

Key	Value
Comprehension	Comp1

प्रेरित, एक यूट्यूब ब्लॉगर है तथा यात्राओं का बहुत शोकिन है। अपने एक ट्रेकिंग टूर के दौरान, वह एक तम्बू में ठहरा, जो की चित्र में दिखाया गया है। तम्बू का निचला बेलनाकार भाग 2 मीटर ऊँचा है और ऊपरी शंकु के आकार वाला भाग 1 मीटर ऊँचा है। इसके फर्श के कालीन का व्यास 2 मीटर है। तम्बू की मोटाई और ध्वज की ऊँचाई को अनदेखा करते हुए, नीचे दिए गए प्रश्नों के उत्तर दीजिये।



तम्बू का समपरिमाणीय प्रक्षेपण बनाने के लिए, हमें एक विशेष पैमाने की आवश्यकता होती है जिसे _____ कहा जाता है।

1. समान्य माप का पैमाना
2. समपरिमाणीय पैमाना
3. बढ़ा हुआ पैमाना
4. वर्णियर पैमाना

Options :

4855842713. 1

4855842714. 2

4855842715. 3

4855842716. 4

Question Number : 580 Question Id : 485584680 Question Type : MCQ Option Shuffling : No Is

Question Mandatory : No Calculator : None Response Time : N.A Think Time : N.A Minimum

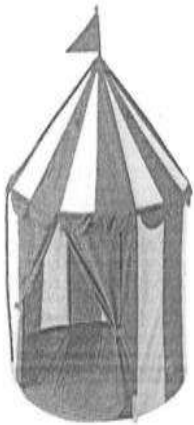
Instruction Time : 0

Correct Marks : 5 Wrong Marks : 1

Question Key Details :

Key	Value
Comprehension	Comp1

Prarit is a Youtube vlogger and is very much fond of travelling. During one of his trekking tour, he stayed in a tent as shown in the figure. The lower cylindrical part of the tent is 2 meter high and upper conical part is 1 meter high. Diameter of the carpet on its floor is 2 meter. Ignoring the thickness of the tent and flag on the top, answer the following question.



If we invert the tent upside down, so that whole tent is now resting on its apex on ground (H.P.). Then the true height of the tent will be equal to _____.

1. 300 mm

2. 100 mm

3. 200 mm

4. 240 mm

Options :

4855842717. 1

4855842718. 2

4855842719. 3

4855842720. 4

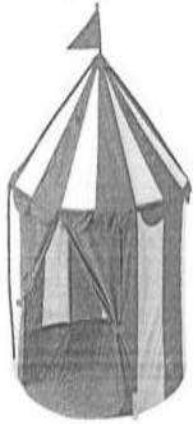
Question Number : 580 Question Id : 485584680 Question Type : MCQ Option Shuffling : No Is Question Mandatory : No Calculator : None Response Time : N.A Think Time : N.A Minimum Instruction Time : 0

Correct Marks : 5 Wrong Marks : 1

Question Key Details :

Key	Value
Comprehension	Comp1

प्रेरित, एक यूट्यूब ब्लॉगर है तथा यात्राओं का बहुत शोकिन है। अपने एक ट्रेकिंग टूर के दौरान, वह एक तम्बू में ठहरा, जो की चित्र में दिखाया गया है। तम्बू का निचला बेलनाकार भाग 2 मीटर ऊँचा है और ऊपरी शंकु के आकार वाला भाग 1 मीटर ऊँचा है। इसके फर्श के कालीन का व्यास 2 मीटर है। तम्बू की मोटाई और ध्वज की ऊँचाई को अनदेखा करते हुए, नीचे दिए गए प्रश्नों के उत्तर दीजिये।



यदि हम तम्बू को ऊपर से नीचे (उल्टा) कर देते हैं तो पूरा तम्बू अब मैदान पर अपने शीर्ष पर खड़ा है, तब तम्बू की वास्तविक ऊँचाई _____ होगी।

1. 300 मि० मी०
2. 100 मि० मी०
3. 200 मि० मी०
4. 240 मि० मी०

Options :

4855842717. 1

4855842718. 2

4855842719. 3

4855842720. 4

Sub-Section Number : 3
Sub-Section Id : 485584234
Question Shuffling Allowed : No
Is Section Default? : null

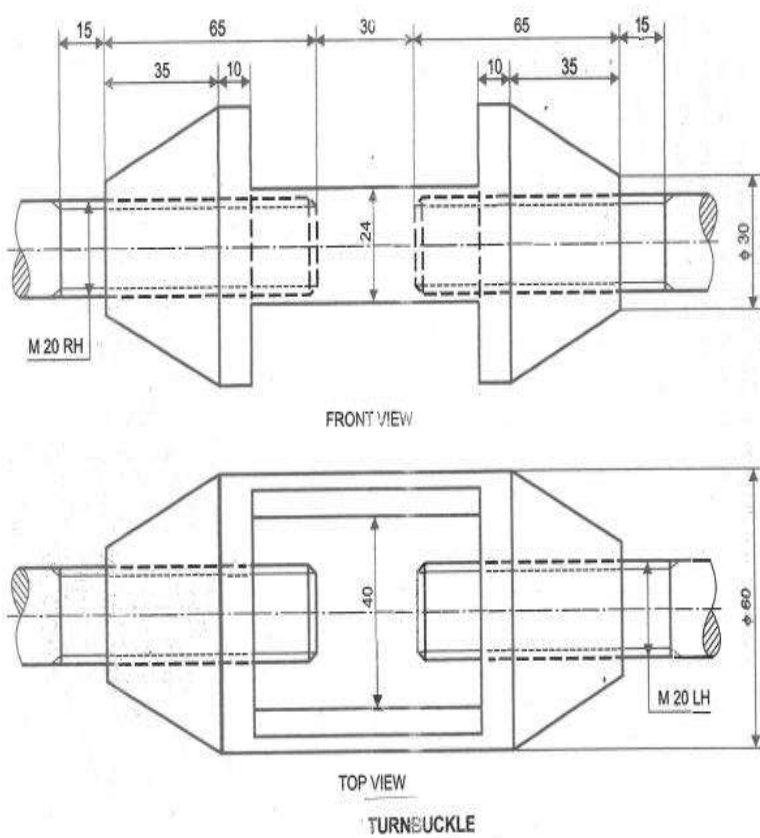
Question Number : 581 Question Id : 485584681 Question Type : MCQ Option Shuffling : No Is Question Mandatory : No Calculator : None Response Time : N.A Think Time : N.A Minimum Instruction Time : 0

Correct Marks : 5 Wrong Marks : 1

Question Key Details :

Key	Value
Comprehension	Comp2

An Engineering Graphics teacher takes the students to the lab and shows the model of a Turnbuckle assembly. Then he asks students to draw the orthographic projection of the assembly as shown in the figure. Based on the figure, answer the following question.



_____ is the minor diameter of the Rods.

1. 20 mm
2. 25 mm
3. 16 mm
4. 22 mm

Options :

4855842721. 1
4855842722. 2
4855842723. 3
4855842724. 4

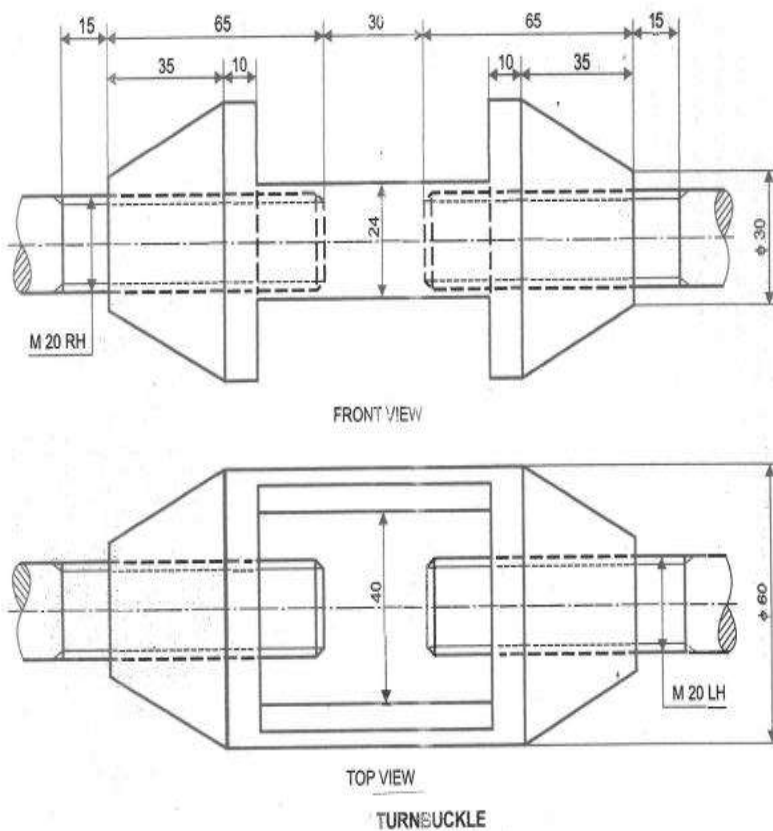
Question Number : 581 Question Id : 485584681 Question Type : MCQ Option Shuffling : No Is Question Mandatory : No Calculator : None Response Time : N.A Think Time : N.A Minimum Instruction Time : 0

Correct Marks : 5 Wrong Marks : 1

Question Key Details :

Key	Value
Comprehension	Comp2

एक इंजीनियरिंग ग्राफ़िक्स के अध्यापक अपने छात्रों को प्रयोगशाला ले जाते हैं और वहां टर्नबुकल एसेम्बली का नमूना दिखाते हैं। इसके बाद उन्होंने छात्रों को चित्र में दर्शाया गया एसेम्बली का लम्बकोणीय प्रक्षेपण बनाने को कहा। चित्र के आधार पर निचे दिए गये प्रश्नों के उत्तर दीजिए।



छड़ो का लघु व्यास _____ है।

1. 20 मि० मी०
2. 25 मि० मी०
3. 16 मि० मी०
4. 22 मि० मी०

Options :

4855842721. 1

4855842722. 2

4855842723. 3

4855842724. 4

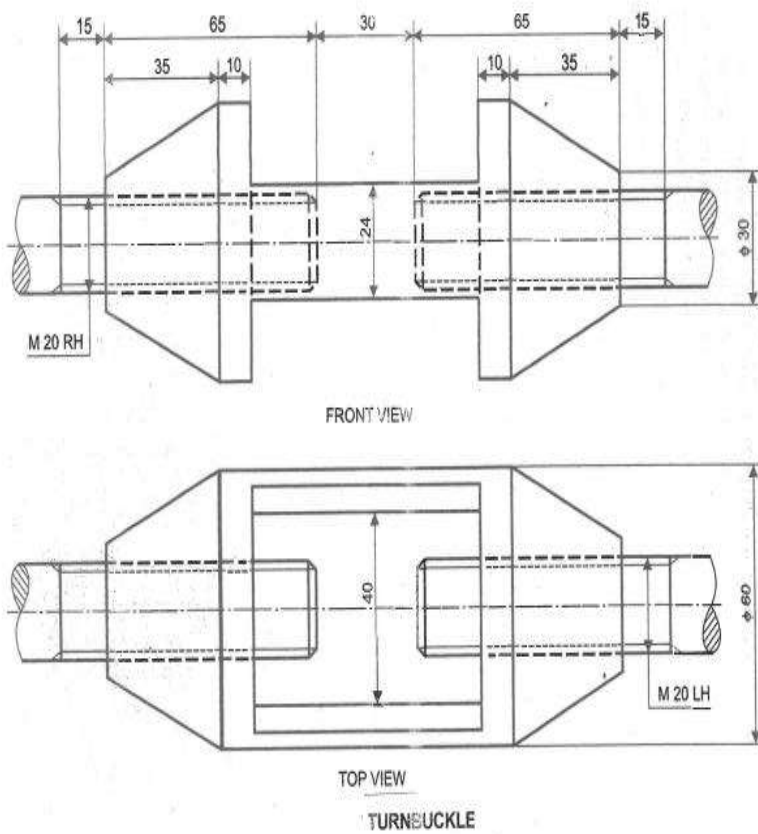
**Question Number : 582 Question Id : 485584682 Question Type : MCQ Option Shuffling : No Is
Question Mandatory : No Calculator : None Response Time : N.A Think Time : N.A Minimum
Instruction Time : 0**

Correct Marks : 5 Wrong Marks : 1

Question Key Details :

Key	Value
Comprehension	Comp2

An Engineering Graphics teacher takes the students to the lab and shows the model of a Turnbuckle assembly. Then he asks students to draw the orthographic projection of the assembly as shown in the figure. Based on the figure, answer the following question.



The maximum diameter of body is _____ mm.

1. 20
2. 150
3. 30
4. 60

Options :

- 4855842725. 1
- 4855842726. 2
- 4855842727. 3
- 4855842728. 4

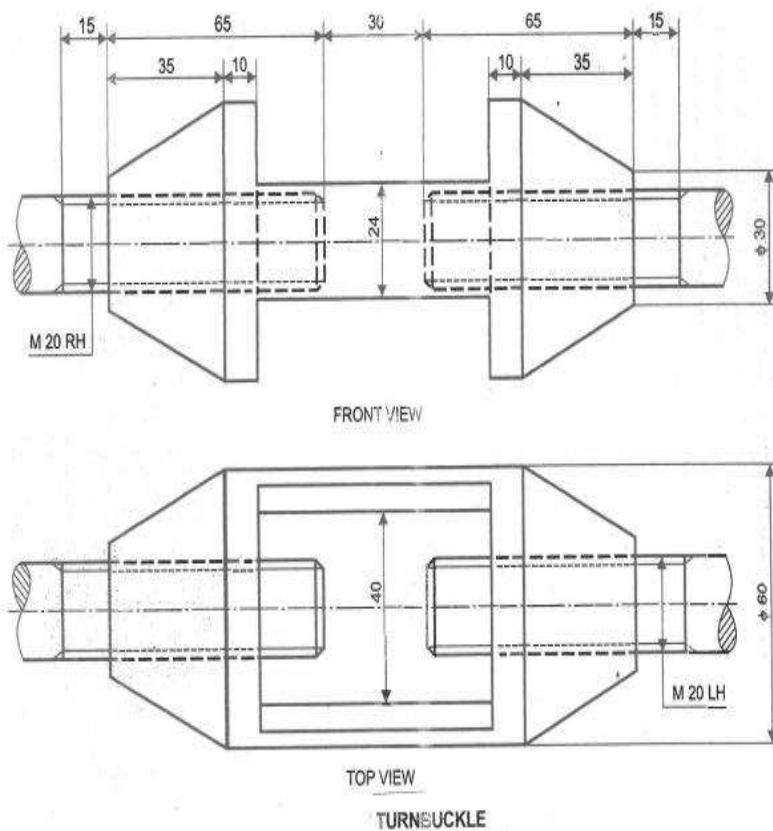
Question Number : 582 Question Id : 485584682 Question Type : MCQ Option Shuffling : No Is Question Mandatory : No Calculator : None Response Time : N.A Think Time : N.A Minimum Instruction Time : 0

Correct Marks : 5 Wrong Marks : 1

Question Key Details :

Key	Value
Comprehension	Comp2

एक इंजीनियरिंग ग्राफ़िक्स के अध्यापक अपने छात्रों को प्रयोगशाला ले जाते हैं और वहां टर्नबुकल एसेम्बली का नमूना दिखाते हैं। इसके बाद उन्होंने छात्रों को चित्र में दर्शाया गया एसेम्बली का लम्बकोणीय प्रक्षेपण बनाने को कहा। चित्र के आधार पर निचे दिए गये प्रश्नों के उत्तर दीजिए।



बॉडी का अधिकतम व्यास _____ मि० मी० है।

1. 20

2. 150

3. 30

4. 60

Options :

4855842725. 1

4855842726. 2

4855842727. 3

4855842728. 4

Question Number : 583 Question Id : 485584683 Question Type : MCQ Option Shuffling : No Is

Question Mandatory : No Calculator : None Response Time : N.A Think Time : N.A Minimum

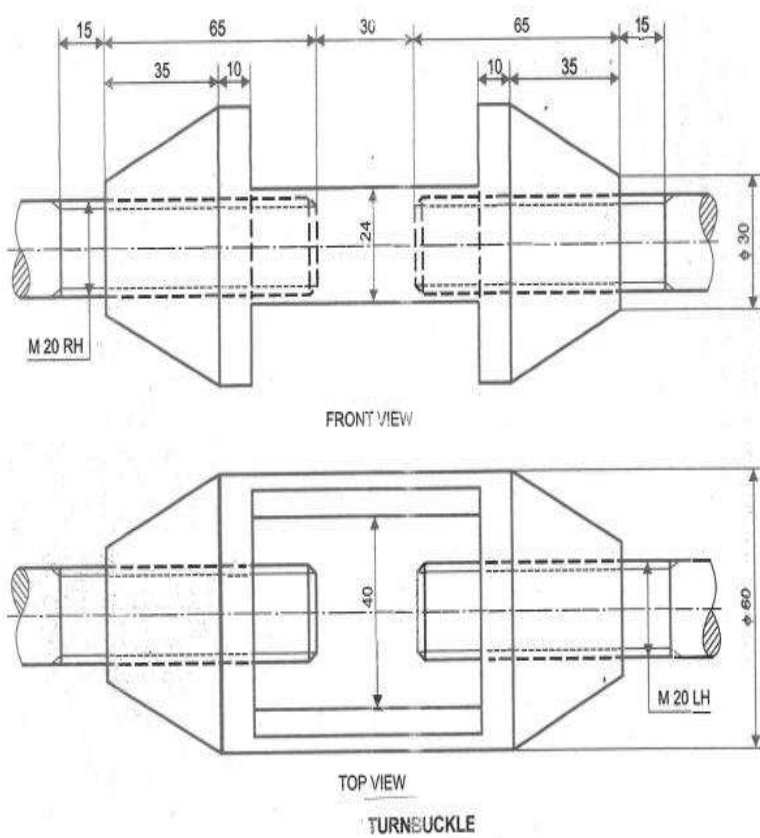
Instruction Time : 0

Correct Marks : 5 Wrong Marks : 1

Question Key Details :

Key	Value
Comprehension	Comp2

An Engineering Graphics teacher takes the students to the lab and shows the model of a Turnbuckle assembly. Then he asks students to draw the orthographic projection of the assembly as shown in the figure. Based on the figure, answer the following question.



Number of distinct parts in the turnbuckle assembly:

1. 3
2. 4
3. 2
4. 6

Options :

- 4855842729. 1
- 4855842730. 2
- 4855842731. 3
- 4855842732. 4

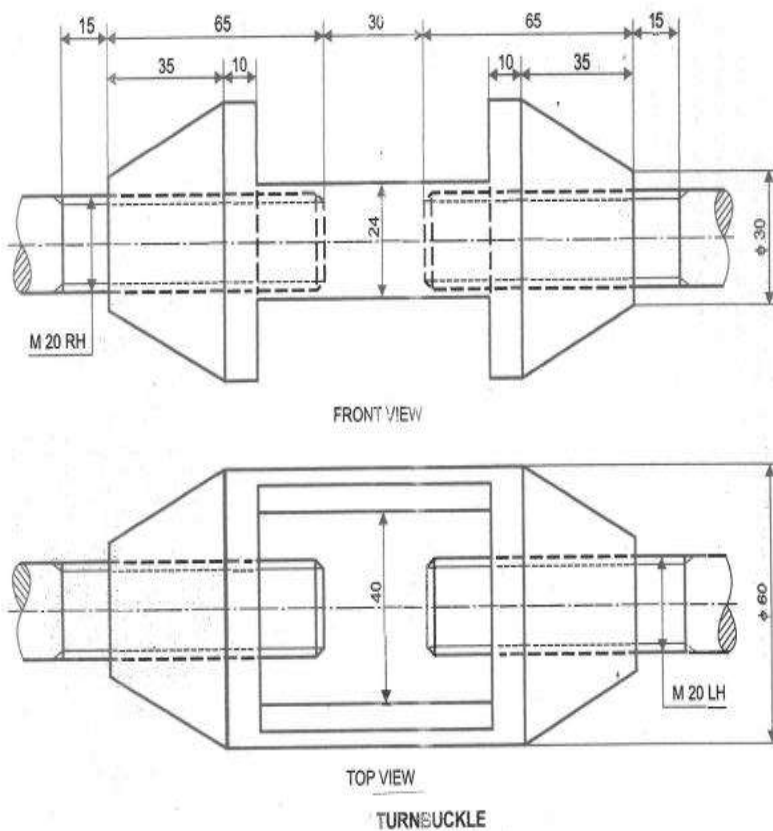
Question Number : 583 Question Id : 485584683 Question Type : MCQ Option Shuffling : No Is Question Mandatory : No Calculator : None Response Time : N.A Think Time : N.A Minimum Instruction Time : 0

Correct Marks : 5 Wrong Marks : 1

Question Key Details :

Key	Value
Comprehension	Comp2

एक इंजीनियरिंग ग्राफ़िक्स के अध्यापक अपने छात्रों को प्रयोगशाला ले जाते हैं और वहां टर्नबुकल एसेम्बली का नमूना दिखाते हैं। इसके बाद उन्होंने छात्रों को चित्र में दर्शाया गया एसेम्बली का लम्बकोणीय प्रक्षेपण बनाने को कहा। चित्र के आधार पर निचे दिए गये प्रश्नों के उत्तर दीजिए।



टर्नबुककल एसेम्बली में अलग-अलग भागों की कुल संख्या है।

1. 3

2. 4

3. 2

4. 6

Options :

4855842729. 1

4855842730. 2

4855842731. 3

4855842732. 4

Question Number : 584 Question Id : 485584684 Question Type : MCQ Option Shuffling : No Is

Question Mandatory : No Calculator : None Response Time : N.A Think Time : N.A Minimum

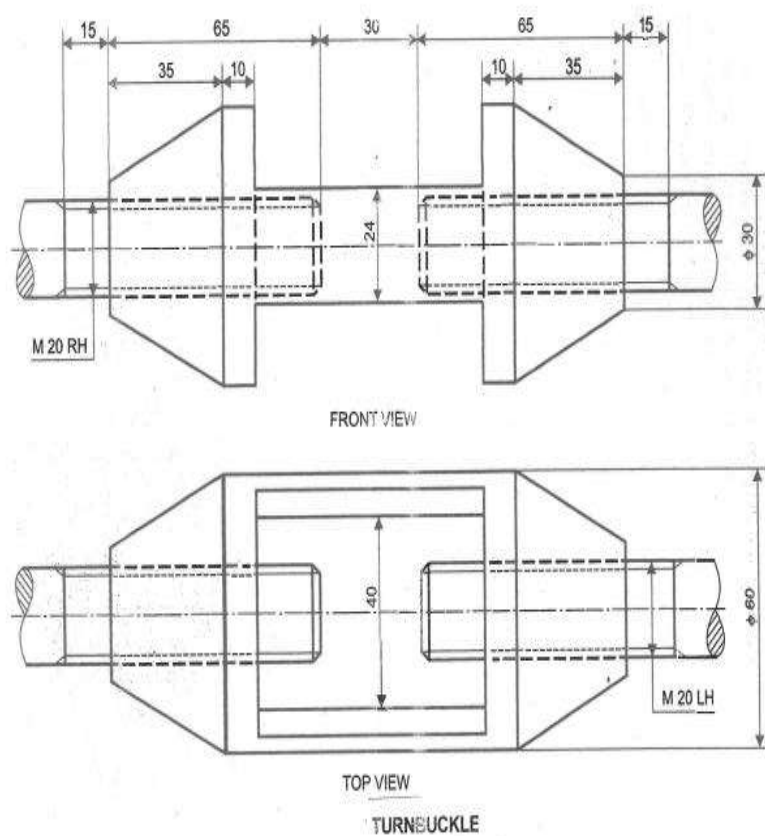
Instruction Time : 0

Correct Marks : 5 Wrong Marks : 1

Question Key Details :

Key	Value
Comprehension	Comp2

An Engineering Graphics teacher takes the students to the lab and shows the model of a Turnbuckle assembly. Then he asks students to draw the orthographic projection of the assembly as shown in the figure. Based on the figure, answer the following question.



According to the figure, which kind of threads are present on the Rods?

1. Both has RH threads
2. Both has LH threads
3. RH thread on right side rod and LH thread on left side rod
4. RH thread on left side rod and LH thread on right side rod

Options :

4855842733. 1

4855842734. 2

4855842735. 3

4855842736. 4

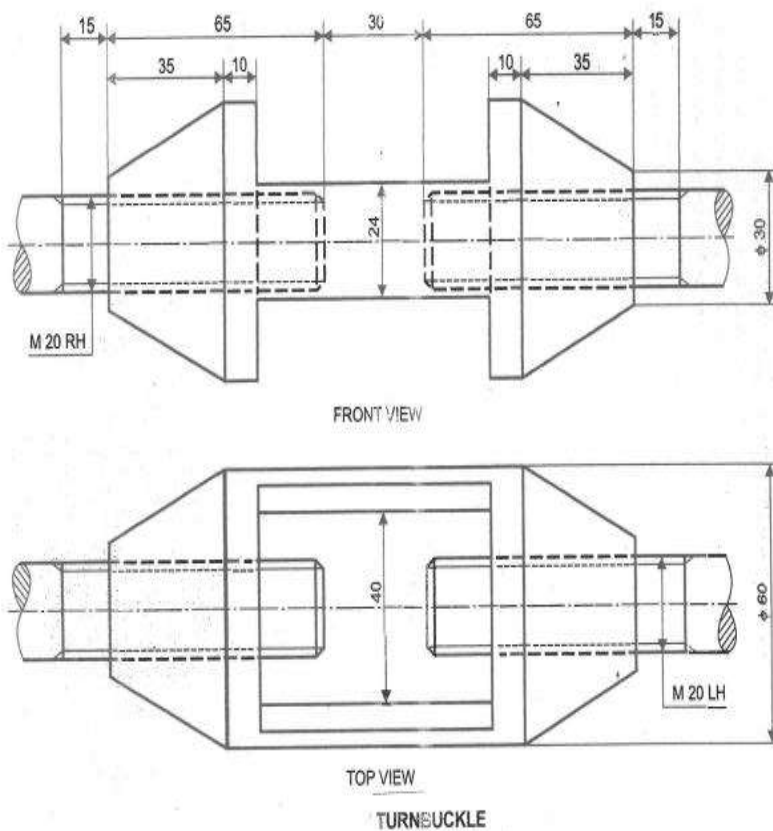
Question Number : 584 Question Id : 485584684 Question Type : MCQ Option Shuffling : No Is Question Mandatory : No Calculator : None Response Time : N.A Think Time : N.A Minimum Instruction Time : 0

Correct Marks : 5 Wrong Marks : 1

Question Key Details :

Key	Value
Comprehension	Comp2

एक इंजीनियरिंग ग्राफिक्स के अध्यापक अपने छात्रों को प्रयोगशाला ले जाते हैं और वहां टर्नबुकल एसेम्बली का नमूना दिखाते हैं। इसके बाद उन्होंने छात्रों को चित्र में दर्शाया गया एसेम्बली का लम्बकोणीय प्रक्षेपण बनाने को कहा। चित्र के आधार पर निचे दिए गये प्रश्नों के उत्तर दीजिए।



चित्र के अनुसार , छड़ों पर किस-किस प्रकार की चूड़ी हैं ?

1. दोनों पर RH चूड़ी है।
2. दोनों पर LH चूड़ी है।
3. दायें छड़ में RH चूड़ी तथा बायें छड़ में LH चूड़ी है।
4. बायें छड़ में RH चूड़ी तथा दायें छड़ में LH चूड़ी है।

Options :

4855842733. 1

4855842734. 2

4855842735. 3

4855842736. 4

Question Number : 585 Question Id : 485584685 Question Type : MCQ Option Shuffling : No Is

Question Mandatory : No Calculator : None Response Time : N.A Think Time : N.A Minimum

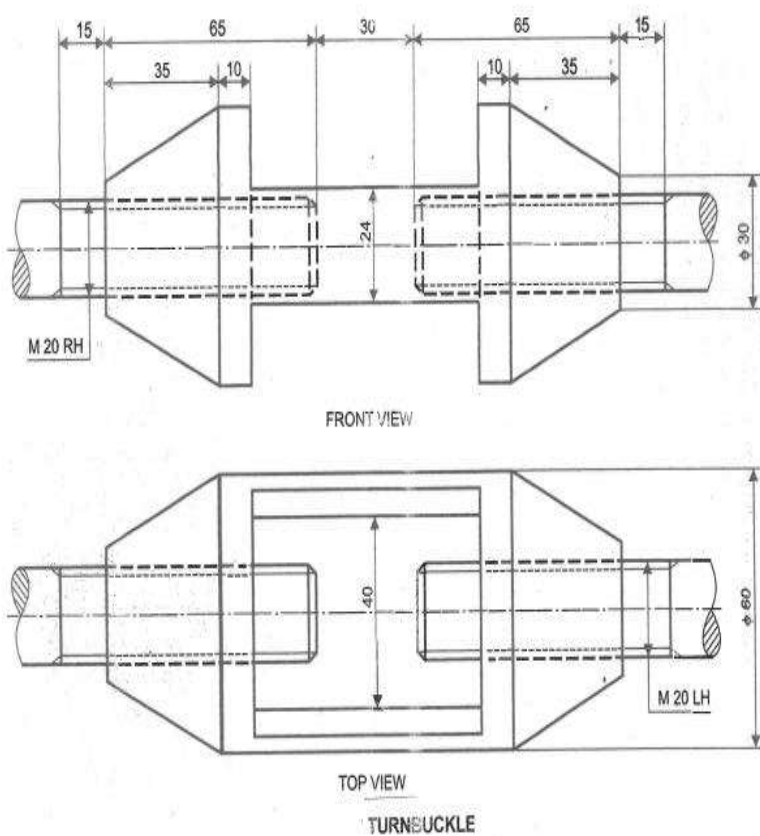
Instruction Time : 0

Correct Marks : 5 Wrong Marks : 1

Question Key Details :

Key	Value
Comprehension	Comp2

An Engineering Graphics teacher takes the students to the lab and shows the model of a Turnbuckle assembly. Then he asks students to draw the orthographic projection of the assembly as shown in the figure. Based on the figure, answer the following question.



Type of front view shown in the figure is _____.

1. full sectional front view
2. front view without section
3. front view upper half in section
4. front view lower half in section

Options :

- 4855842737. 1
- 4855842738. 2
- 4855842739. 3
- 4855842740. 4

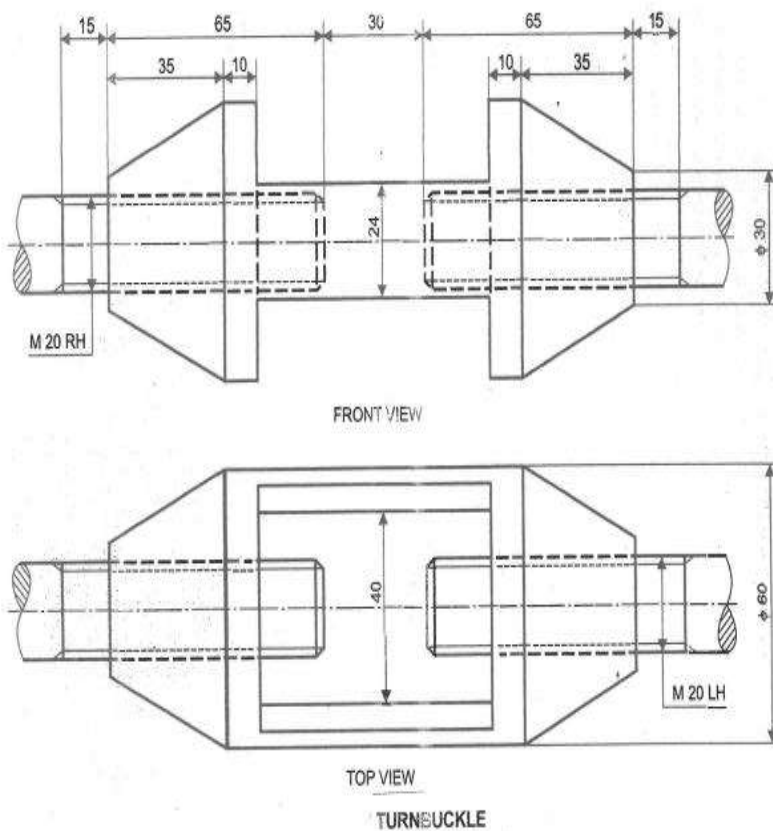
Question Number : 585 Question Id : 485584685 Question Type : MCQ Option Shuffling : No Is Question Mandatory : No Calculator : None Response Time : N.A Think Time : N.A Minimum Instruction Time : 0

Correct Marks : 5 Wrong Marks : 1

Question Key Details :

Key	Value
Comprehension	Comp2

एक इंजीनियरिंग ग्राफ़िक्स के अध्यापक अपने छात्रों को प्रयोगशाला ले जाते हैं और वहां टर्नबुकल एसेम्बली का नमूना दिखाते हैं। इसके बाद उन्होंने छात्रों को चित्र में दर्शाया गया एसेम्बली का लम्बकोणीय प्रक्षेपण बनाने को कहा। चित्र के आधार पर निचे दिए गये प्रश्नों के उत्तर दीजिए।



दिखाये गए सम्मुख दृश्य का प्रकार है।

1. पूर्ण काट सहित सम्मुख दृश्य
2. बिना काट के सम्मुख दृश्य
3. ऊपरी आधा काट सहित सम्मुख दृश्य
4. निचला आधा काट सहित सम्मुख दृश्य

Options :

4855842737. 1

4855842738. 2

4855842739. 3

4855842740. 4