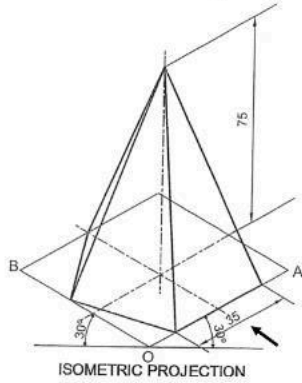




Choose the correct option for the given isometric projection.



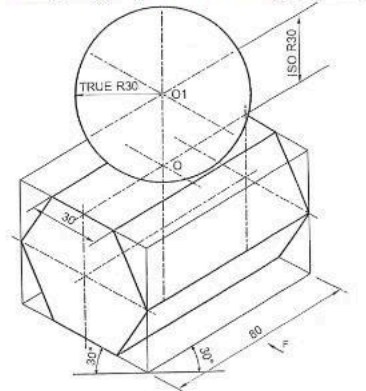
1. An upright pentagonal pyramid has one base edge parallel to V.P. and near it.
2. An inverted pentagonal pyramid has one base edge perpendicular to V.P.
3. An upright pentagonal pyramid has one base edge parallel to V.P. and nearer the observer.
4. An inverted pentagonal pyramid has one base edge parallel to V.P. and nearer the observer.

- (A) 1  
(B) 2  
(C) 3  
(D) 4

Q.Type : Objective Question

4 4204

In the given Isometric projection of combination of solids, all the dimensions are foreshortened in equal proportions except \_\_\_\_\_.



1. lengthwise dimensions
2. heightwise dimensions
3. widthwise dimensions
4. spherical dimensions

- (A) 1  
(B) 2  
(C) 3  
(D) 4

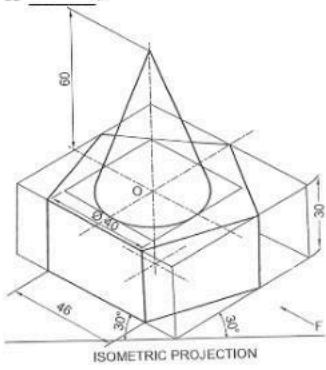
4.0 1.00

Q.Type : Objective Question

5 4205

4.0 1.00

The total axial height (approximately) in isometric projection of the given combination of solids is \_\_\_\_\_.



- 1. 85 mm
- 2. 72 mm
- 3. 60 mm
- 4. 90 mm

- (A) 1
- (B) 2
- (C) 3
- (D) 4

Q.Type : Objective Question

6	4206	It is the surface between the crest and root of a thread: <ul style="list-style-type: none"> <li>1. Pitch</li> <li>2. Flank</li> <li>3. Lead</li> <li>4. Axis</li> </ul> <ul style="list-style-type: none"> <li>(A) 1</li> <li>(B) 2</li> <li>(C) 3</li> <li>(D) 4</li> </ul>	4.0	1.00
---	------	---	-----	------

Q.Type : Objective Question

7	4207	The thread angle of Metric thread is _____. <ul style="list-style-type: none"> <li>1. 55°</li> <li>2. 90°</li> <li>3. 60°</li> <li>4. 30°</li> </ul> <ul style="list-style-type: none"> <li>(A) 1</li> <li>(B) 2</li> <li>(C) 3</li> <li>(D) 4</li> </ul>	4.0	1.00
---	------	---	-----	------

Q.Type : Objective Question

8	4208		4.0	1.00
---	------	--	-----	------

		<p>The Square threads are mostly used in _____</p> <ol style="list-style-type: none"> <li>1. Bolts</li> <li>2. Bottle caps</li> <li>3. Turnbuckle</li> <li>4. Screw Jack</li> </ol> <p>(A) 1</p> <p>(B) 2</p> <p>(C) 3</p> <p>(D) 4</p>		
Q.Type : Objective Question				
9	4209	<p>The diameter of chamfering circle of hexagonal bolt is ____ when nominal diameter is 'd'.</p> <ol style="list-style-type: none"> <li>1. <math>1.5d + 3</math></li> <li>2. <math>0.8d</math></li> <li>3. <math>2d + 6</math></li> <li>4. <math>2d + 3</math></li> </ol> <p>(A) 1</p> <p>(B) 2</p> <p>(C) 3</p> <p>(D) 4</p>	4.0	1.00
Q.Type : Objective Question				
10	4210	<p>The upper corners in hexagonal nut are usually chamfered at an angle of ____ to the base in order to avoid injuries while using it.</p> <ol style="list-style-type: none"> <li>1. <math>45^\circ</math></li> <li>2. <math>30^\circ</math></li> <li>3. <math>60^\circ</math></li> <li>4. <math>15^\circ</math></li> </ol> <p>(A) 1</p> <p>(B) 2</p> <p>(C) 3</p> <p>(D) 4</p>	4.0	1.00
Q.Type : Objective Question				
11	4211	<p>The inner diameter of a plain washer to be used for a bolt of 24 mm diameter is _____.</p> <ol style="list-style-type: none"> <li>1. 54 mm</li> <li>2. 51 mm</li> <li>3. 25 mm</li> <li>4. 03 mm</li> </ol> <p>(A) 1</p> <p>(B) 2</p>	4.0	1.00

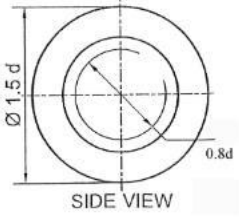
(C) 3

(D) 4


Q.Type : Objective Question

12	4212	<p>In engineering practices, the conventional representation of external thread is shown by _____.</p> <ol style="list-style-type: none"> <li>1. Thick lines to represent crest and thin lines to represent root.</li> <li>2. Thick lines to represent root and thin lines to represent crest.</li> <li>3. Thick lines to represent both root and crest.</li> <li>4. Thin lines to represent both root and crest.</li> </ol> <p>(A) 1</p> <p>(B) 2</p> <p>(C) 3</p> <p>(D) 4</p>	4.0	1.00
----	------	--	-----	------

Q.Type : Objective Question

13	4213	<p>The side view of a horizontal fastener is shown in the given image. Identify the fastener.</p>  <ol style="list-style-type: none"> <li>1. plain stud</li> <li>2. rivet</li> <li>3. collar stud</li> <li>4. washer</li> </ol> <p>(A) 1</p> <p>(B) 2</p> <p>(C) 3</p> <p>(D) 4</p>	4.0	1.00
----	------	---	-----	------

Q.Type : Objective Question

14	4214	<p>Identify the type of screw in the given image.</p>  <ol style="list-style-type: none"> <li>1. Round Head Screw</li> <li>2. Hexagonal Socket Head Screw</li> <li>3. Countersunk Head Screw</li> <li>4. Grub Screw</li> </ol> <p>(A) 1</p> <p>(B) 2</p>	4.0	1.00
----	------	---	-----	------

		(C) 3 (D) 4		
Q.Type : Objective Question				
15	4215	_____ is a permanent fastener.  1. Rivet 2. Bolt 3. Nut 4. Stud  (A) 1  (B) 2  (C) 3  (D) 4	4.0	1.00
Q.Type : Objective Question				
16	4216	It is used for linear and zigzag shafts, which rotate at slow speeds.  1. Bush bearing 2. Open bearing 3. Pedestal bearing 4. Pivot bearing  (A) 1  (B) 2  (C) 3  (D) 4	4.0	1.00
Q.Type : Objective Question				
17	4217	A counter sunk hole is drilled at the top of the body for _____, in a 'Bush Bearing'.  1. supporting a shaft 2. stability 3. lubrication 4. fitting  (A) 1  (B) 2  (C) 3  (D) 4	4.0	1.00
Q.Type : Objective Question				
18	4218	The tapering is done on one side of the Cotter and is usually _____.  1. 1 in 2 2. 1 in 50 3. 1 in 100 4. 1 in 30	4.0	1.00

		(A) 1 (B) 2 (C) 3 (D) 4		
Q.Type : Objective Question				
19	4219	In Gib and Cotter Joint, the end of one rod is made in the form of a fork, known as _____.  1. Strap 2. Sleeve 3. Gib 4. Cotter  (A) 1 (B) 2 (C) 3 (D) 4	4.0	1.00
Q.Type : Objective Question				
20	4220	Flanges are joined together with _____ in a Flange Pipe Joint.  1. rivets 2. nuts and bolts 3. cotters and gibs 4. screws  (A) 1 (B) 2 (C) 3 (D) 4	4.0	1.00
Q.Type : Objective Question				
21	4221	_____ is an adjustable temporary joint used in joining cables, ropes and wires of electric poles.  1. Sleeve and cotter joint 2. Flange pipe joint 3. Turn buckle joint 4. Strap joint  (A) 1 (B) 2 (C) 3 (D) 4	4.0	1.00
Q.Type : Objective Question				
22	4222		4.0	1.00



Identify the **correct** statements regarding rivet.

- A. Rivets are permanent fasteners.
- B. Rivets are temporary fasteners.
- C. There are screw threads on the body of rivet.
- D. It is a simple round rod having head at its one end.
- E. Rivets are used in flange pipe joint.

Choose the **correct** answer from the options given below:

- 1. A and B Only
- 2. A and D Only
- 3. C and D Only
- 4. D and E Only

(A) 1

(B) 2

(C) 3

(D) 4

Q.Type : Objective Question

25

4225

Identify the **correct** statements regarding 'Gib and Cotter Joint':

- A. Gib and Cotter Joint is used to join two round rods.
- B. The tapering sides of the gib and the cotter mate with each other.
- C. This joint is useful to fasten connecting rods of a steam engine.
- D. In this joint two cotters are used .
- E. The thickness of a gib and cotter are not same.

Choose the **correct** answer from the options given below:

- 1. A and B Only
- 2. B and D Only
- 3. B and C Only
- 4. D and E Only

(A) 1

(B) 2

(C) 3

(D) 4

4.0

1.00

Q.Type : Objective Question

26

4226

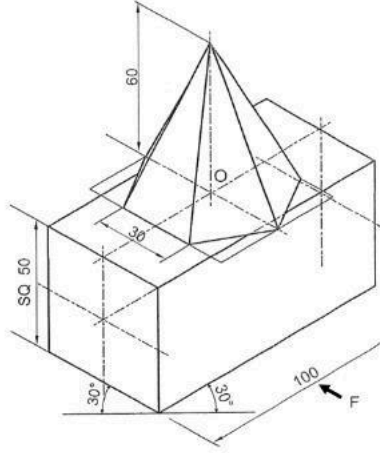
4.0

1.00

Match the **LIST-I** with **LIST-II** for the given isometric projection

LIST-I		LIST-II	
A.	Hexagonal face	I.	Parallel to both H.P. and V.P.
B.	Square faces	II.	Perpendicular to H.P.
C.	Axis of pyramid	III.	Perpendicular to both H.P. and V.P.
D.	Axis of prism	IV.	Parallel to H.P.

Choose the **correct** answer from the options given below:



1. A-I, B-II, C-III, D-IV
2. A-IV, B-I, C-II, D-III
3. A-III, B-IV, C-I, D-II
4. A-IV, B-III, C-II, D-I

(A) 1

(B) 2

(C) 3

(D) 4

Q.Type : Objective Question

27 4227

Match the **LIST-I** with **LIST-II** for front view of Round Head Screw of nominal diameter 'd'

4.0 1.00

LIST-I		LIST-II	
A.	Radius of Head	I.	0.8 d
B.	Height/Thickness of Head	II.	0.9 d
C.	Width of slot	III.	0.4 d
D.	Depth of slot	IV.	0.2 d

Choose the **correct** answer from the options given below:

1. A-II, B-I, C-IV, D-III
2. A-I, B-II, C-III, D-IV
3. A-II, B-III, C-IV, D-I
4. A-III, B-IV, C-I, D-II

(A) 1

(B) 2

(C) 3

(D) 4

Q.Type : Objective Question

28 4228

4.0

1.00

Match the **LIST-I** with **LIST-II** for different joints with their application

LIST-I		LIST-II	
A.	Sleeve and Cotter Joint	I.	Boxing rings
B.	Gib and Cotter Joint	II.	Kitchen wares like frying pan
C.	Turn-buckle Joint	III.	Useful for light transmission of axial loads
D.	Riveted Joint	IV.	Marine engine

Choose the **correct** answer from the options given below:

1. A-II, B-III, C-IV, D-I
2. A-III, B-IV, C-I, D-II
3. A-I, B-II, C-III, D-IV
4. A-IV, B-I, C-II, D-III

(A) 1

(B) 2

(C) 3

(D) 4